

PLEASE CHECK WWW.MOLEX.COM FOR LATEST PART INFORMATION

Part Number: [0015311036](#)
Status: **Active**
Overview: [standard_093](#)
Description: 2.36mm (.093") Diameter Standard .093" Pin and Socket Header, Vertical, with Beveled Plastic Peg, 3 Circuits

Documents:

[3D Model](#) [Product Specification PS-3191-003 \(PDF\)](#)
[Drawing \(PDF\)](#) [RoHS Certificate of Compliance \(PDF\)](#)

Agency Certification

| | |
|-----|-----------|
| CSA | LR19980 |
| TUV | R72081037 |
| UL | E29179 |

General

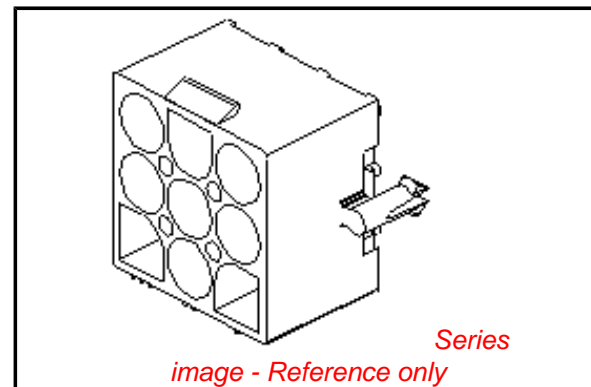
| | |
|----------------|------------------------------|
| Product Family | PCB Headers |
| Series | 5219 |
| Application | Wire-to-Board |
| Overview | standard_093 |
| Product Name | Standard .093" |

Physical

| | |
|--------------------------------|-----------------|
| Breakaway | No |
| Circuits (Loaded) | 3 |
| Circuits (maximum) | 3 |
| Color - Resin | Natural |
| Durability (mating cycles max) | 30 |
| First Mate / Last Break | No |
| Flammability | 94V-2 |
| Glow-Wire Compliant | No |
| Guide to Mating Part | No |
| Keying to Mating Part | None |
| Lock to Mating Part | Yes |
| Material - Plating Mating | Tin |
| Material - Plating Termination | Tin |
| Material - Resin | Nylon |
| Number of Rows | 1 |
| Orientation | Vertical |
| PCB Locator | Yes |
| PCB Retention | Yes |
| PCB Thickness Recommended (in) | 0.062 In |
| PCB Thickness Recommended (mm) | 1.60 mm |
| Packaging Type | Bag |
| Pitch - Mating Interface (in) | 0.264 In |
| Pitch - Mating Interface (mm) | 6.71 mm |
| Polarized to PCB | Yes |
| Shrouded | Fully |
| Stackable | No |
| Surface Mount Compatible (SMC) | No |
| Temperature Range - Operating | -40°C to +105°C |
| Termination Interface: Style | Through Hole |

Electrical

| | |
|-------------------------------|------|
| Current - Maximum per Contact | 11A |
| Voltage - Maximum | 600V |



EU RoHS

**ELV and RoHS
Compliant**
REACH SVHC
 Not Reviewed
**Halogen-Free
Status**
Not Reviewed

China RoHS



**Need more information on product
environmental compliance?**

Email productcompliance@molex.com
 For a multiple part number RoHS Certificate of Compliance, [click here](#)

Please visit the [Contact Us](#) section for any non-product compliance questions.

Search Parts in this Series

[5219Series](#)

Mates With

[3191 Pin and Socket Receptacle Housing](#)

Material Info

Old Part Number

5219-03A

Reference - Drawing Numbers

Packaging Specification

SPK-5219-001

Product Specification

PS-3191-003, RPS-3191-002

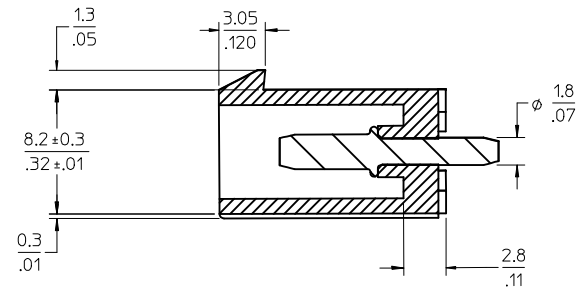
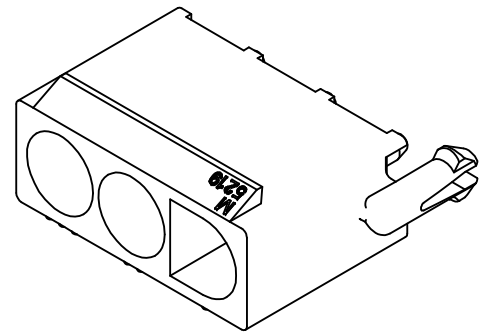
Sales Drawing

SD-5219-03A-*

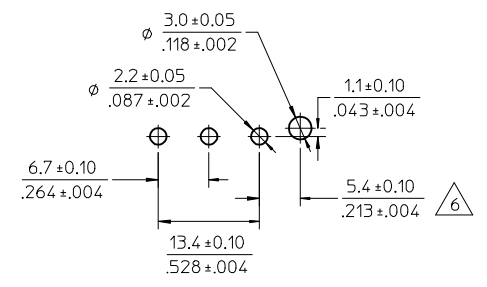
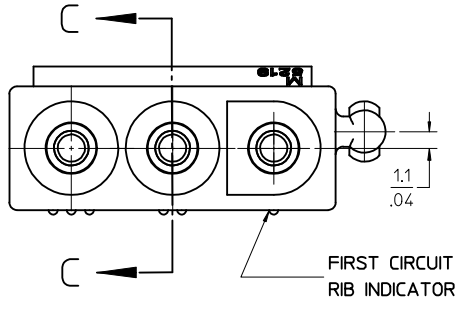
This document was generated on 05/24/2010

PLEASE CHECK WWW.MOLEX.COM FOR LATEST PART INFORMATION

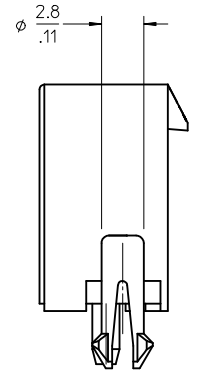
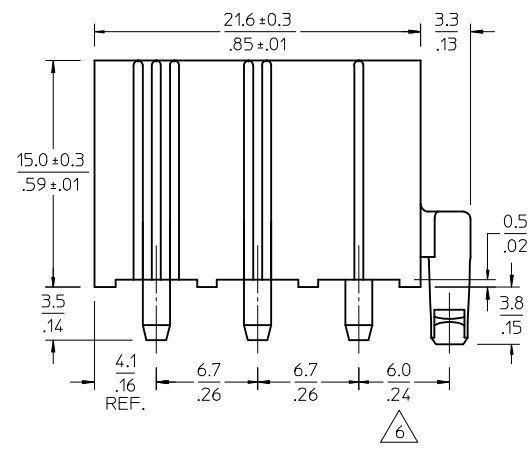
| | | |
|----------|----------|--------------|
| CIRCUITS | EDP NO. | ENG. NO. |
| 3 | 39287038 | 5219-03A-201 |
| | 15311036 | 5219-03A |



SECTION C-C

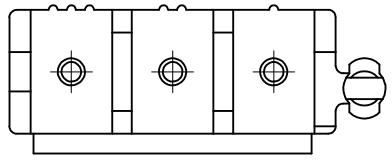


RECOMMENDED P.C. BOARD HOLE DIM. SCALE 2:1



NOTES:

- 1) MATERIAL:
HOUSING: "BLANK" = NYLON 6/6, UL94V-2, COLOR: NATURAL
"201" = NYLON 6/6, UL94V-0, COLOR: NATURAL
TERMINAL: C2700W BRASS
- 2) FINISH: 0.000003/(.0000001) MIN. TIN OVERALL OVER
0.000001/(.00000004) MIN. NICKEL OVERALL
- 3) PRODUCT SPECIFICATION: PS-3191-003
- 4) PACKAGING: NONE
- 5) MATES WITH: 3191-03R SERIES
- 6) DIFFERENCE OF DIMENSION TO PREVENT RISE FROM P.C.B.
- 7) PARTS CONFORM TO CLASS 'B' REQUIREMENTS OF COSMETIC SPECIFICATION PS-45499-002.



| | | | | | | | | | | | |
|---|-------------------------------|--|--|---|--|---------------------|--------------|--|--|--|--|
| REMOVED DIMENSION EC NO: UCP2009-2076 DRWN:TRBENES 2009/02/24 CHKD:AELHAG 2009/03/13 APPR:FSMITH 2009/04/15 | QUALITY SYMBOLS ▽=0 ▽=0 | GENERAL TOLERANCES (UNLESS SPECIFIED) | | DIMENSION STYLE | | SCALE | DESIGN UNITS | THIRD ANGLE PROJECTION | | | |
| | | | | MM/IN | | 4:1 | METRIC | NEW INTERNATIONAL CONN. HEADER AND ASSY. | | | |
| | | | | DRAWN BY DATE | | TASAKAWA 1995/11/18 | | MOLEX INCORPORATED | | | |
| | | | | CHECKED BY DATE | | HIRAMOT 1995/11/18 | | | | | |
| | | APPROVED BY DATE | | FUKUSHIM 1995/11/18 | | DOCUMENT NO. | | SHEET NO. | | | |
| | | MATERIAL NO. | | SEE CHART | | SD-5219-03A-* | | 1 OF 1 | | | |
| | | DRAFT WHERE APPLICABLE MUST REMAIN WITHIN DIMENSIONS | | THIS DRAWING CONTAINS INFORMATION THAT IS PROPRIETARY TO MOLEX INCORPORATED AND SHOULD NOT BE USED WITHOUT WRITTEN PERMISSION | | | | | | | |