

RoHS Compliant

SATA-Disk Module II

22P/90D Datasheet

January 18, 2011

Version 1.3



Apacer Technology Inc.

4th Fl., 75 Xintai 5th Rd., Sec.1, Hsichih, New Taipei City, Taiwan 221

Tel: +886-2-2698-2888 Fax: +886-2-2698-2889

www.apacer.com

Features:

- **Standard Serial ATA 2.6 (Gen. 2)**
 - Serial ATA 2.6 (Gen. 2)
 - SATA II, 3.0 Gbps
 - ATA-compatible command set
- **Capacities**
 - Standard: 1, 2, 4, 8, and 16GB
 - High Speed: 4, 8 GB
- **Performance**
 - Burst read/write: 300 MB/sec
 - Sustained read: up to 100 MB/sec
 - Sustained write: up to 88 MB/sec
- **Intelligent endurance design**
 - Built-in hardware BCH ECC, correcting 8-bit or 15-bit error per 512-byte data sector
 - Global wear-leveling scheme together with dynamical block allocation to significantly increase the lifetime of a flash device and optimize the disk performance
 - Flash bad-block management
 - Power Failure management
 - Quick Erase
 - S.M.A.R.T.
- **NAND Flash Type: SLC**
- **Data integrity under power-cycling**
 - No battery required for data storage
- **Temperature**
 - 0°C to 70°C for operating
 - -40°C to 100°C for storage
- **Supply voltage**
 - 5.0 V ± 5%
- **Low power consumption**
 - Active mode: 260 mA
 - Idle mode: 130 mA
- **Connector**
 - 7-pin SATA signal connector
 - 15-pin SATA power connector
- **RoHS compliant**

Table of Contents

1. Product Description	4
1.1 Introduction	4
1.2 Functional Block Diagram.....	4
1.3 ATA Mode Support.....	5
1.4 Capacity Specification	5
1.5 Performances	5
1.6 Pin Assignments	6
2. Software Interface	8
2.1 Command Set	8
2.1.1 Check Power Mode (E5h)	10
2.1.2 Execute Diagnostics (90h)	10
2.1.3 Flush Cache (E7h)	10
2.1.4 Identify Device (ECh)	10
2.1.5 Idle (E3h).....	18
2.1.6 Idle Immediate (E1h).....	18
2.1.7 Initialize Drive Parameters (C8h).....	18
2.1.8 Read DMA (C8h).....	19
2.1.9 Read Multiple (C4h)	19
2.1.10 Read Sector(s) (20h).....	19
2.1.11 Read Verify Sector(s) (40h).....	19
2.1.12 Recalibrate (10h).....	19
2.1.13 Security Disable Password (F6h).....	19
2.1.14 Security Erase Prepare (F3h)	19
2.1.15 Security Erase Unit (F4h).....	19
2.1.16 Security Freeze Lock (F5h).....	20
2.1.17 Security Set Password (F1h).....	20
2.1.18 Security Unlock (F2h).....	20
2.1.19 Seek (7xh)	20
2.1.20 Set Features (EFh).....	20
2.1.21 Set Multiple Mode (C6h).....	20
2.1.22 Sleep (E6h)	20
2.1.23 SMART (B0h)	21
2.1.24 Standby (E2h)	23
2.1.25 Standby Immediate (E0h).....	23
2.1.26 Write DMA (CAh).....	24
2.1.27 Write Multiple (C5h).....	24
2.1.28 Write Sector(s) (30h)	24
3. Flash Management	25
3.1 Error Correction/Detection.....	25
3.2 Bad Block Management.....	25
3.3 Wear Leveling	25
3.4 Power Failure Management.....	25

3.5 Quick Erase.....	25
3.6 S.M.A.R.T.....	26
4. Environmental Specifications	27
4.1 Environments	27
5. Electrical Specification	28
6. Physical Characteristics.....	29
6.1 Dimension	29
7. Product Ordering Information.....	30
7.1 Product Code Designations	30
7.2 Valid Combinations.....	31

1. Product Description

1.1 Introduction

Apacer's SATA Disk Module (SDM) is a solid-state disk (SSD) drive that contains a controller, embedded firmware, and flash media along with a male connector. Using NAND flash memory devices, the SDM drive interfaces with the host allowing data to be seamlessly transferred between the host and the flash devices.

The SDM drive is designed with a single-chip controller, offering capacities of up to 16 gigabytes and providing full support for the SATA II high-speed interface standard. It can operate at sustained access rates of up to thirty five megabytes per second, which is much faster than any other competitor in the market.

In addition to buffer management through dynamical allocation, the SDM adopts the static wear-leveling scheme to allow uniform use of all storage blocks, ensuring that the lifetime of a flash media can be significantly increased and the disk performance is optimized as well. The SDM provides the S.M.A.R.T. feature complies with the SATA Rev. 2.6, ATA/ATAPI-7 specifications and uses the standard SMART command B0h to read data from the drive. This feature protects the user from unscheduled downtime by monitoring and storing critical drive performance.

1.2 Functional Block Diagram

The SDM drive includes a single-chip SATA II controller and the flash media, as well as the SATA standard interface. The controller integrates the flash management unit with the controller itself to support multi-channel, multi-bank flash arrays. Figure 1-1 shows the functional block diagram.

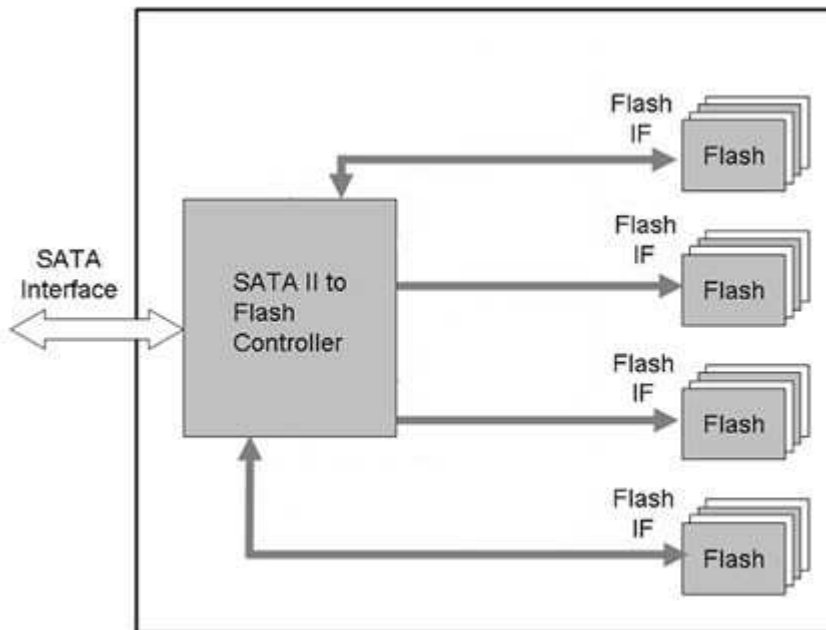


Figure 1-1 Apacer SDM block diagram

1.3 ATA Mode Support

The SDM provides ATA mode support as follows:

- Up to PIO mode-4
- Up to Multiword DMA mode-2
- Up to UDMA mode-5

1.4 Capacity Specification

Capacity specification of the SDM product family is available as shown in Table 1-1. It lists the specific capacity, the default numbers of logical cylinders and heads, and the number of logical sectors per track for each product line.

Table 1-1 Capacity specification

Capacity	Total Bytes	Cylinders	Heads	Sectors	Max LBA
1 GB	992,968,704	1,924	16	63	1,939,392
2 GB	2,002,452,480	3,880	16	63	3,911,040
4 GB	4,021,936,128	7793	16	63	7,855,344
8 GB	8,061,419,520	15620	16	63	15,744,960
16 GB*	16,139,681,792	16383	16	63	31,522,816

*Cylinders, heads or sectors are not applicable for these capacities. Only LBA addressing applies.

1.5 Performances

Performances of the SDM are shown in Table 1-2 and Table 1-3.

Table 1-2 Standard Models Performance Specification

Capacity Performance	1 GB	2 GB	4GB	8GB	16GB
Sustained Read (MB/s)	42	52	53	53	100
Sustained Write (MB/s)	17	22	45	45	88

Table 1-3 High Speed Models Performance specification

Capacity Performance	4GB	8GB
Sustained Read (MB/s)	100	100
Sustained Write (MB/s)	46	88

Note: Performances vary from flash configurations.

1.6 Pin Assignments

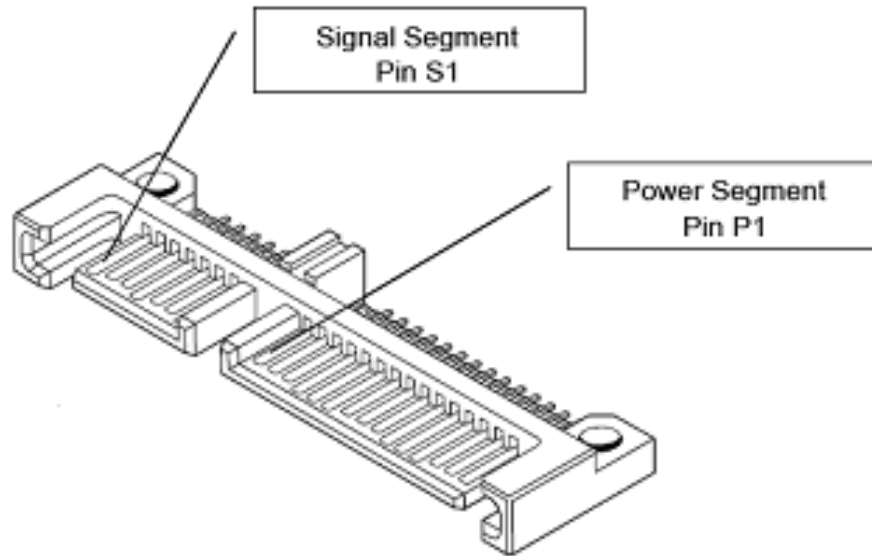


Table 1-4: Signal segment

Name	Type	Description
S1	GND	
S2	RxP	+ Differential Receive Signal
S3	RxN	- Differential Receive Signal
S4	GND	
S5	TxN	- Differential Transmit Signal
S6	TxP	+ Differential Transmit Signal
S7	GND	

Table 1-5: Power segment

Pin	Signal/Description
P1	Not used (3.3V)
P2	Not used (3.3V)
P3	Not used (3.3V)
P4	Ground
P5	Ground
P6	Ground
P7	5V
P8	5V
P9	5V
P10	Ground
P11	Ground
P12	Ground
P13	Not used (12V)
P14	Not used (12V)
P15	Not used (12V)

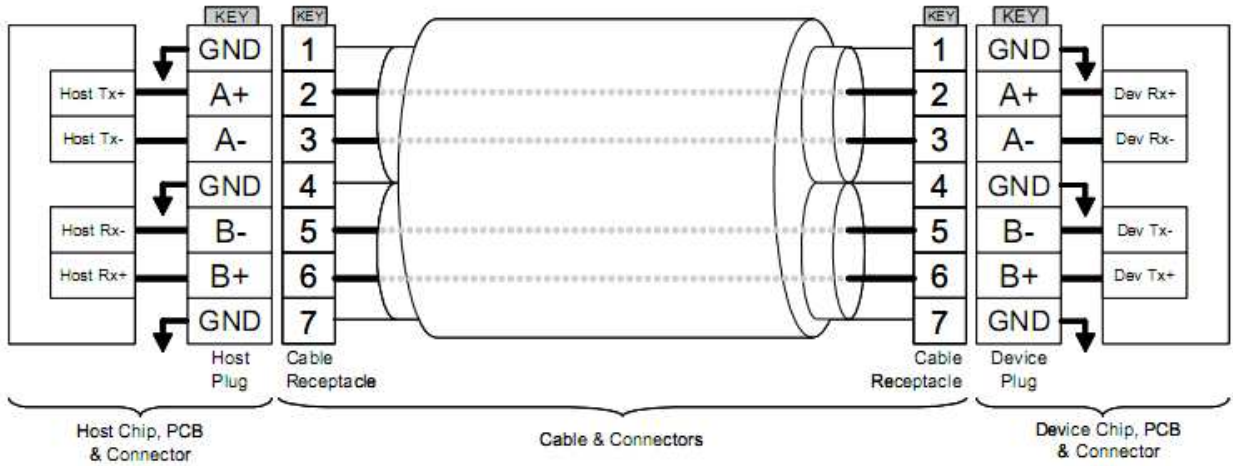


Figure 1-2 SATA Cable/Connector Connection Diagram

The connector on the left represents the Host with TX/RX differential pairs connected to a cable. The connector on the right shows the Device with TX/RX differential pairs also connected to the cable. Notice also the ground path connecting the shielding of the cable to the Cable Receptacle.

2. Software Interface

2.1 Command Set

Table 2-1 summarizes the ATA commands supported by SDM.

Table 2-1: Command set (1 of 2)

Command	Code	FR ¹	SC ²	SN ³	CY ⁴	DH ⁵	LBA ⁶
Check-Power-Mode	E5H	-	-	-	-	D ⁸	-
Execute-Drive-Diagnostic	90H	-	-	-	-	D	-
Flush-Cache	E7H	-	-	-	-	D	-
Identify-Drive	ECH	-	-	-	-	D	-
Idle	E3H	-	Y	-	-	D	-
Idle-Immediate	E1H	-	-	-	-	D	-
Initialize-Drive-Parameters	91H	-	Y	-	-	Y	-
Read-DMA	C8H or C9H	-	Y	Y	Y	Y	Y
Read-Multiple	C4H	-	Y	Y	Y	Y	Y
Read-Sector(s)	20H or 21H	-	Y	Y	Y	Y	Y
Read-Verify-Sector(s)	40H or 41H	-	Y	Y	Y	Y	Y
Recalibrate	10H	-	-	-	-	D	-
Security-Disable-Password	F6H	-	-	-	-	D	-
Security-Erase-Prepare	F3H	-	-	-	-	D	-
Security-Erase-Unit	F4H	-	-	-	-	D	-
Security-Freeze-Lock	F5H	-	-	-	-	D	-
Security-Set-Password	F1H	-	-	-	-	D	-
Security-Unlock	F2H	-	-	-	-	D	-
Seek	7XH	-	-	-	Y	Y	-
Set-Features	EFH	Y ⁷	-	-	-	D	-

Table 2-1: Command set (2 of 2)

Command	Code	FR ¹	SC ²	SN ³	CY ⁴	DH ⁵	LBA ⁶
Set-Multiple-Mode	C6H	-	Y	-	-	D	-
Sleep	E6H	-	-	-	-	D	-
SMART	B0H	Y	Y	Y	Y	D	
Standby	E2H	-	-	-	-	D	-
Standby-Immediate	E0H	-	-	-	-	D	-
Write-DMA	CAH	-	Y	Y	Y	Y	Y
Write-Multiple	C5H	-	Y	Y	Y	Y	Y
Write-Sector(s)	30H	-	Y	Y	Y	Y	Y

1. FR - Features register
2. SC - Sector Count register
3. SN - Sector Number register
4. CY - Cylinder registers
5. DH - Drive/Head register
6. LBA - Logical Block Address mode supported (see command descriptions for use)
7. Y - The register contains a valid parameter for this command.
8. For the Drive/Head register:
 Y means both the SDM and Head parameters are used
 D means only the SDM parameter is valid and not the Head parameter

2.1.1 Check Power Mode (E5h)

The host can use this command to determine the current power management mode.

2.1.2 Execute Diagnostics (90h)

This command performs the internal diagnostic tests implemented by the drive. See ERROR register for diagnostic codes.

2.1.3 Flush Cache (E7h)

This command is used by the host to request the device to flush the write cache. If there is data in the write cache, that data shall be written to the media. The BSY bit shall remain set to one until all data has been successfully written or an error occurs.

2.1.4 Identify Device (ECh)

This command read out 512 Bytes of drive parameter information. Parameter information consists of the arrangement and value as shown in the following table. This command enables the host to receive the Identify Drive Information from the device.

Identify Device Information Default Value (1/9)

Word	Value	F/V	Description
0	0040h	F	15 0 = ATA device
		X	14-8 Retired
		F	7 1 = removable media device
		X	6 Obsolete
		X	5-3 Retired
		F	2 Reserved
		X	1 Retired
		F	0 Reserved
1	XXXXh	X	Number of logical cylinders
2	C837h	V	Specific configuration
3	00XXh	X	Number of logical heads
4-5	XXXXh	X	Retired
6	XXXXh	X	Number of logical sector per logical track
7-8	XXXXh	V	Reserved for assignment by the Compact Flash Association
9	000Eh	X	Retired
10-19	XXXXh	F	Serial number (20 ASCII characters)
20-21	XXXXh	X	Retired

Identify Device Information Default Value (2/9)

Word	Value	F/V	Description
22	003Fh	X	Obsolete
23-26	XXXXh	F	Firmware revision (8 ASCII characters)
27-46	XXXXh	F	Model number (40 ASCII characters)
47	8000h	F	15-8 80h
		F	7-0 00h = Reserved
		F	01h = Maximum number of 1 sector on READ/WRITE MULTIPLE commands
48	4000h	F	Reserved
49	2F00h		Capabilities
		F	15-14 Reserved for the IDENTIFY PACKET DEVICE command
		F	13 1 = Standby timer values as specified in this standard are supported. 0 = Standby timer values shall be managed by the device.
		F	12 Reserved for the IDENTIFY PACKET DEVICE command
		F	11 1 = IORDY supported 0 = IORDY may be supported
		F	10 1 = IORDY may be disabled
		F	9 1 = LBA supported
		F	8 1 = DMA supported
X	7-0 Retired		
50	4000h	F	15 Shall be cleared to zero
		F	14 Shall be set to one
		F	13-2 Reserved
		X	1 Obsolete
		F	0 Shall be set to one to indicate a device specific Standby timer value minimum
51	0280h	X	15-8 PIO data transfer cycle timing mode
			7-0 Reserved
52	0000h	X	Obsolete

Identify Device Information Default Value (3/9)

Word	Value	F/V	Description
53	0007h	F	15-3 Reserved
		F	2 1 = the fields reported in word 88 are valid 0 = the fields reported in word 88 are not valid
		F	1 1 = the fields reported in word 70:64 are valid 0 = the fields reported in word 70:64 are not valid
		X	0 1 = the fields reported in word 58:54 are valid 0 = the fields reported in word 58:54 are not valid
54	XXXXh	X	Number of current cylinders
55	00XXh	X	Number of current heads
56	XXXXh	X	Number of current sector per track
57-58	XXXXh	X	Current capacity in sectors
59	0000h	F	15-9 Reserved
		V	8 1 = Multiple sector setting is valid
		V	7-0 xxh = Setting for number of sectors that shall be transferred per interrupt on R/W Multiple command
60-61	XXXXh	F	Total number of user addressable sectors
62	0000h	X	Obsolete
63	0007h	F	15-11 Reserved
		V	10 1 = Multiword DMA mode 2 is selected 0 = Multiword DMA mode 2 is not selected
		V	9 1 = Multiword DMA mode 1 is selected 0 = Multiword DMA mode 1 is not selected
		V	8 1 = Multiword DMA mode 0 is selected 0 = Multiword DMA mode 0 is not selected
		F	7-3 Reserved
		F	2 1 = Multiword DMA mode 2 and below are supported
		F	1 1 = Multiword DMA mode 1 and below are supported
		F	0 1 = Multiword DMA mode 0 and below are supported

Identify Device Information Default Value (4/9)

Word	Value	F/V	Description
64	0003h	F	15-8 Reserved
		F	7-0 Advanced PIO modes supported
65	0078h	F	Minimum Multiword DMA transfer cycle time per word
66	0078h	F	Manufacturer's recommended Multiword DMA transfer cycle time
67	0078h	F	Minimum PIO transfer cycle time without flow control
68	0078h	F	Minimum PIO transfer cycle time with IORDY flow control
69-79	0000h	F	Reserved (for future command overlap and queuing)
80	01FEh		Major version number 0000h or FFFFh = device does not report version
		F	15 Reserved
		F	14 Reserved for ATA/ATAPI-14
		F	13 Reserved for ATA/ATAPI-13
		F	12 Reserved for ATA/ATAPI-12
		F	11 Reserved for ATA/ATAPI-11
		F	10 Reserved for ATA/ATAPI-10
		F	9 Reserved for ATA/ATAPI-9
		F	8 Reserved for ATA/ATAPI-8
		F	7 1 = supports ATA/ATAPI-7
		F	6 1 = supports ATA/ATAPI-6
		F	5 1 = supports ATA/ATAPI-5
		F	4 1 = supports ATA/ATAPI-4
		F	3 Obsolete
		X	2 Obsolete
X	1 Obsolete		
F	0 Reserved		
81	0021h	F	Minor version number

Identify Device Information Default Value (5/9)

Word	Value	F/V	Description	
82	0068h		Command set supported	
		X	15	Obsolete
		F	14	1 = NOP command supported
		F	13	1 = READ BUFFER command supported
		F	12	1 = WRITE BUFFER command supported
		X	11	Obsolete
		F	10	1 = Host Protected Area feature set supported
		F	9	1 = DEVICE RESET command supported
		F	8	1 = SERVICE interrupt supported
		F	7	1 = release interrupt supported
		F	6	1 = look-ahead supported
		F	5	1 = write cache supported
		F	4	Shall be cleared to zero to indicate that the PACKET Command feature set is not supported
		F	3	1 = mandatory Power Management feature set supported
		F	2	1 = Removable Media feature set supported
		F	1	1 = Security Mode feature set supported
F	0	1 = SMART feature set supported		
83	5000h		Command set supported	
		F	15	Shall be cleared to zero
		F	14	Shall be set to one
		F	13-9	Reserved
		F	8	1 = SET MAX security extension supported
		F	7	Reserved
		F	6	1 = SET FEATURES subcommand required to spin-up after power-up
		F	5	1 = Power-Up In Standby feature set supported
		F	4	1 = Removable Media Status Notification feature set supported
		F	3	1 = Advanced Power Management feature set supported
		F	2	1 = CFA feature set supported
		F	1	1 = READ/WRITE DMA QUEUED supported
F	0	1 = DOWNLOAD MICROCODE command supported		

Identify Device Information Default Value (6/9)

Word	Value	F/V	Description
84	4000h		Command set/feature supported extension
		F	15 Shall be cleared to zero
		F	14 Shall be set to one
		F	13-2 Reserved
		F	1 1 = SMARAT self-test supported
		F	0 1 = SMARAT error logging supported
85	0008h		Command set/feature enabled
		X	15 Obsolete
		F	14 1 = NOP command enabled
		F	13 1 = READ BUFFER command enabled
		F	12 1 = WRITE BUFFER command enabled
		X	11 Obsolete
		V	10 1 = Host Protected Area feature set enabled
		F	9 1 = DEVICE RESET command enabled
		V	8 1 = SERVICE interrupt enabled
		V	7 1 = release interrupt enabled
		V	6 1 = look-ahead enabled
		V	5 1 = write cache enabled
		F	4 Shall be cleared to zero to indicate that the PACKET Command feature set is not supported
		F	3 1 = mandatory Power Management feature set enabled
F	2 1 = Removable Media feature set enabled		
V	1 1 = Security Mode feature set enabled		
V	0 1 = SMART feature set enabled		

Identify Device Information Default Value (7/9)

Word	Value	F/V	Description
86	5000h		Command set/feature enabled
		F	15-9 Reserved
		F	8 1 = SET MAX security extension enabled by SET MAX SET PASSWORD
		F	7 See Address Offset Reserved Area Boot, INCITS TR27:2001
		F	6 1 = SET FEATURES subcommand required to spin-up after power-up
		F	5 1 = Power-Up In Standby feature set enabled
		F	4 1 = Removable Media Status Notification feature set enabled
		F	3-1 1 = Advanced Power Management feature set enabled
		F	0 1 = DOWNLOAD MICROCODE command supported
87	4000h		Command set/feature default
		F	15 Shall be cleared to zero
		F	14 Shall be set to one
		F	13-2 Reserved
		F	1 1 = SMARAT self-test supported
		F	0 1 = SMARAT error logging supported

Identify Device Information Default Value (8/9)

Word	Value	F/V	Description
88	203Fh	V	15-13 Reserved 12 1 = Ultra DMA mode 4 is selected 0 = Ultra DMA mode 4 is not selected
		V	11 1 = Ultra DMA mode 3 is selected 0 = Ultra DMA mode 3 is not selected
		V	10 1 = Ultra DMA mode 2 is selected 0 = Ultra DMA mode 2 is not selected
		V	9 1 = Ultra DMA mode 1 is selected 0 = Ultra DMA mode 1 is not selected
		V	8 1 = Ultra DMA mode 0 is selected 0 = Ultra DMA mode 0 is not selected
		F	7-5 Reserved
		F	4 1 = Ultra DMA mode 4 and below are supported
		F	3 1 = Ultra DMA mode 3 and below are supported
		F	2 1 = Ultra DMA mode 2 and below are supported
		F	1 1 = Ultra DMA mode 1 and below are supported
		F	0 1 = Ultra DMA mode 0 and below are supported
		89	0000h
90	0000h	F	Time required for Enhanced security erase completion
91	0000h	V	Current advanced power management value
92	0000h	V	Master Password Revision Code
93	0000h	X	Hardware reset result
94-126	0000h	V	Reserved
127	0000h	F	Removable Media Status Notification feature set support 15-2 Reserved
		F	1-0 00 = Removable Media Status Notification feature set not supported 01 = Removable Media Status Notification feature set supported 10 = Reserved 11 = Reserved

Identify Device Information Default Value (9/9)

Word	Value	F/V	Description
128	0001h		Security status
		F	15-9 Reserved
		V	8 Security level 0 = High, 1 = Maximum
		F	7-6 Reserved
		F	5 1 = Enhanced security erase supported
		V	4 1 = Security count expired
		V	3 1 = Security frozen
		V	2 1 = Security locked
		V	1 1 = Security enabled
F	0 1 = Security supported		
129-159	0000h	X	Vendor specific
160-254	0000h	X	Reserved
255	0000h	X	Integrity word
			15-8 Checksum
			7-0 Signature
<p>Key:</p> <p>F/V = Fixed/variable content</p> <p>F = the content of word is fixed and does not change. For removable media devices, these values may change when media is removed or changed.</p> <p>V = the contents of the word is variable and may change depending on the state of the device or the commands executed by the device.</p> <p>X = the content of the word may be fixed or variable.</p>			

2.1.5 Idle (E3h)

This command causes the device to set BSY, enter the Idle mode, clear BSY and generate an interrupt. If sector count is non-zero, the automatic power down mode is enabled. If the sector count is zero, the automatic power mode is disabled.

2.1.6 Idle Immediate (E1h)

This command causes the device to set BSY, enter the Idle(Read) mode, clear BSY and generate an interrupt.

2.1.7 Initialize Drive Parameters (C8h)

This command enables the host to set the number of sectors per track and the number of tracks per heads.

2.1.8 Read DMA (C8h)

Read data from sectors during Ultra DMA and Multiword DMA transfer. Use the SET FEATURES command to specify the mode value. A sector count of zero requests 256 sectors.

2.1.9 Read Multiple (C4h)

This command performs similarity to the Read Sectors command. Interrupts are not generated on each sector, but on the transfer of a block which contains the number of sectors defined by a Set Multiple command.

2.1.10 Read Sector(s) (20h)

This command reads 1 to 256 sectors as specified in the Sector Count register from sectors which is set by Sector number register. A sector count of zero requests 256 sectors. The transfer beings specified in the Sector Number register.

2.1.11 Read Verify Sector(s) (40h)

This command verifies one or more sectors on the drive by transferring data from the flash media to the data buffer in the drive and verifying that the ECC is correct. This command is identical to the Read Sectors command, except the DRQ is never set and no data is transferred to the host.

2.1.12 Recalibrate (10h)

The current drive performs no processing if it receives this command. It is supported for backward compatibility with previous devices.

2.1.13 Security Disable Password (F6h)

Disables any previously set user password and cancels the lock. The host transfers 512 bytes of data, as shown in the following table, to the drive. The transferred data contains a user or master password, which the drive compares with the saved password. If they match, the drive cancels the lock. The master password is still saved. It is re-enabled by issuing the SECURITY SET PASSWORD command to reset a user password.

2.1.14 Security Erase Prepare (F3h)

This command shall be issued immediately before the Security Erase Unit command to enable erasing and unlocking. This command prevents accidental loss of data on the drive.

2.1.15 Security Erase Unit (F4h)

The host uses this command to transfer 512 bytes of data, as shown in the following table, to the drive. The transferred data contains a user or master password, which the drive compares with the saved password. If they match, the drive deletes user data, disables the user password, and cancels the locks. The master password is still saved. It is re-enabled by issuing the SECURITY SET PASSWORD command to reset a user password.

2.1.16 Security Freeze Lock (F5h)

Causes the drive to enter Frozen mode. Once this command has been executed, the following commands to update a lock result in the Aborted Command error:

- SECURITY SET PASSWORD
- SECURITY UNLOCK
- SECURITY DISABLE PASSWORD
- SECURITY ERASE PREPARE
- SECURITY ERASE UNIT

The drive exits from Frozen mode upon a power-off or hard reset. If the SECURITY FREEZE LOCK command is issued when the drive is placed in Frozen mode, the drive executes the command, staying the Frozen mode.

2.1.17 Security Set Password (F1h)

This command sets user password or master password. The host outputs sector data with PIO data-out protocol to indicate the information defined in the following table.

2.1.18 Security Unlock (F2h)

This command disables LOCKED MODE of the device. This command transfers 512 byte of data from the host with PIO data-out protocol. The following table defines the content of this information.

2.1.19 Seek (7xh)

This command is effectively a NOP command to the device although it does perform a range check.

2.1.20 Set Features (EFh)

This command set parameter to Features register and set drive's operation. For transfer mode, parameter is set to Sector Count register. This command is used by the host to establish or select certain features.

Features register Value and settable operating mode

Value	Function
02h	Enable write cache
03h	Set transfer mode based on value in Sector Count register.
55h	Disable read look-ahead feature
82h	Disable write cache
AAh	Enable read look-ahead feature

2.1.21 Set Multiple Mode (C6h)

This command enables the device to perform READ MULTIPLE and WRITE MULTIPLE operations and establishes the block count for these commands.

2.1.22 Sleep (E6h)

This command causes the device to set BSY, enter the Sleep mode, clear BSY and generate an interrupt.

2.1.23 SMART (B0h)

Performs different processing required for predicting device failures, according to the subcommand specified in the Features register. If the Features register contains an unsupported value, the Aborted Command error is returned. If the SMART function is disabled, any subcommand other than SMART ENABLE OPERATIONS results in the Aborted Command error.

Code	Smart Subcommand
D0h	READ DATA
D1h	READ ATTRIBUTE THRESHOLDS
D2h	ENABLE/DISABLE ATTRIBUTE AUTOSAVE
D3h	SAVE ATTRIBUTE VALUES
D4h	EXECUTE OFF-LINE IMMEDIATE*
D5h	Reserved
D6h	Reserved
D8h	ENABLE OPERATIONS
D9h	DISABLE OPERATIONS
DAh	RETURN STATUS
DBh	ENABLE/DISABLE AUTO OFF-LINE*

SMART READ DATA

This command returns 512-byte SMART Data Structure to the host with PIO data-in protocol. The register file has to contain D0h for Features register, 4Fh for LBA Mid register and C2h for the LBA High register.

Byte	Description
0-1	Data structure revision number
2-13	1 st attribute data
14-361	2 nd -30 th Individual attribute data
362	Off-line data collection status
363	Reserved
364-365	Total time in seconds to complete off-line data collection
366	Reserved
367	Off-line data collection capability
368-369	SMART capability
370-385	Reserved
386-510	Reserved
511	Data structure checksum

Byte 2-361: Individual attribute data

Byte	Description
0	Attribute ID
1-2	Status Flag (0x0002)
3	Attribute Value (0x64)
4-11	Vendor Specific

The attribute ID information is listed in the following table

ID	Description	Detail Information	
		Byte	Description
E5h	Halt System ID, Flash ID	0	Halt System ID
		1	Flash ID (byte 1)
		2	Flash ID (byte 2)
		3	Flash ID (byte 3)
		4	Flash ID (byte 4)
		5	Flash ID (byte 5)
		6	Flash ID (byte 6)
		7	Flash ID (byte 7)
E8h	Firmware version information	0	Year (High Byte, ASCII)
		1	Year (Low Byte, ASCII)
		2	Month (High Byte, ASCII)
		3	Month (Low Byte, ASCII)
		4	Day (High Byte, ASCII)
		5	Day (Low Byte, ASCII)
		6	Channels (binary)
		7	Banks (binary)
E9h	ECC Fail Record	0	ECC fail number
		1	Row address 3
		2	Row address 2
		3	Row address 1
		4	Channel number of last ECC fail
		5	Bank number of last ECC fail
		6	Reserved
		7	Reserved
EAh	Average Erase Count, Max Erase Count	0	Average Erase Count (High Byte)
		1	Average Erase Count
		2	Average Erase Count (Low Byte)
		3	Max Erase Count (High Byte)
		4	Max Erase Count
		5	Max Erase Count (Low Byte)
		6	Reserved
		7	Reserved
EBh	Good Block Count, System Block Count	0	Good Block Count (High Byte)
		1	Good Block Count
		2	Good Block Count (Low Byte)
		3	System(Free) Block Count (High Byte)
		4	System(Free) Block Count Count
		5	System(Free) Block Count Count (Low Byte)
		6	Reserved
		7	Reserved
ECh-FFh	Reserved		

SMART READ ATTRIBUTE THRESHOLD

This transfers 512 bytes of drive failure threshold data to the host.

SMART ENABLE/DISABLE ATTRIBUTE AUTOSAVE

Enables or disables the attribute value autosave function. This command specifies whether the current attribute values are automatically saved to the drive when it changes the mode. This setting is maintained when the power is turned on and off.

SMART SAVE ATTRIBUTE VALUE

Saves any modified attribute values.

SMART ENABLE OPERATIONS

Enables the SMART function. This setting is maintained when the power is turned off and then back on. Once the SMART function is enabled, subsequent SMART ENABLE OPERATIONS commands do not affect any parameter.

SMART DISABLE OPERATIONS

Disables the SMART function. Upon receiving the command, the drive disables all SMART operations. This setting is maintained when the power is turned off and then back on.

Once this command has been received, all SMART commands other than SMART ENABLE OPERATIONS are aborted with the Aborted Command error.

This command disables all SMART capabilities including any and all timer and event count functions related exclusively to this feature. After command acceptance, this controller will disable all SMART operations. SMART data is no longer be monitored or saved. The state of SMART is preserved across power cycles.

SMART RETURN STATUS

Reports the drive reliability status.

Values reported when a predicted defect has not been detected:

Cylinder Low register: 4Fh

Cylinder High register: C2h

Values reported when a predicted defect has been detected:

Cylinder Low register: F4h

Cylinder High register: 2Ch

SMART ENABLE/DISABLE AUTOMATIC OFF-LINE

Enables (when Sector Count register = "F8h") or disables (Sector Count register = "00h") the automatic off-line data collection function.

The automatic collection is disabled if a value of "00h" is set in the Sector Count register before a subcommand is issued. If automatic collection is disabled, the drive can still save attribute information during normal operation, such as during the power-on/off sequence or error correction sequence.

The automatic collection function is enabled if a value of "F8h" is set in the Sector Count register before the command is issued. Values other than "00h" and "F8h" are vendor-specific.

2.1.24 Standby (E2h)

This command causes the device to set BSY, enter the Sleep mode (which corresponds to the ATA "Standby" Mode), clear BSY and return the interrupt immediately.

2.1.25 Standby Immediate (E0h)

This command causes the device to set BSY, enter the Sleep mode (which corresponds to the ATA "Standby" Mode), clear BSY and return the interrupt immediately.

2.1.26 Write DMA (CAh)

Write data to sectors during Ultra DMA and Multiword DMA transfer. Use the SET FEATURES command to specify the mode value.

2.1.27 Write Multiple (C5h)

This command is similar to the Write Sectors command. Interrupts are not presented on each sector, but on the transfer of a block which contains the number of sectors defined by Set Multiple command.

2.1.28 Write Sector(s) (30h)

Write data to a specified number of sectors (1 to 256, as specified with the Sector Counter register) from the specified address. Specify "00h" to write 256 sectors.

3. Flash Management

3.1 Error Correction/Detection

The SDM implements a hardware ECC scheme, based on the BCH algorithm, to achieve up to 8/15 bit correction per 512 bytes.

3.2 Bad Block Management

Although bad blocks on the flash media are already identified by the flash manufacturer, they can also be accumulated over time during operation. The controller of SDM maintains a table that lists those normal blocks with disk data, the free blocks for wear leveling, and bad blocks with errors. When a normal block is detected broken, it is replaced with a free block and listed as a bad block. When a free block is detected broken, it is then removed from the free block list and marked as a bad block.

During device operation, this ensures that newly accumulated bad blocks are transparent to the host. The device will stop file write service once there are only two free blocks left such that the read function is still available for copying the files from the disk into another.

3.3 Wear Leveling

The NAND flash devices are limited by a certain number of write cycles. When using a FAT-based file system, frequent FAT table updates are required. If some area on the flash wears out faster than others, it would significantly reduce the lifetime of the whole SSD, even if the erase counts of others are far from the write cycle limit. Thus, if the write cycles can be distributed evenly across the media, the lifetime of the media can be prolonged significantly. This scheme is called wear leveling.

Apacer's wear-leveling scheme is achieved both via buffer management and Apacer-specific global wear leveling. They both ensure that the lifetime of the flash media can be increased, and the disk access performance is optimized as well.

3.4 Power Failure Management

The Low Power Detection on the controller initiates cached data saving before the power supply to the device is too low. This feature prevents the device from crash and ensures data integrity during an unexpected blackout. Once power was failure before cached data writing back into flash, data in the cache will lost. The next time the power is on, the controller will check these fragmented data segment, and, if necessary, replace them with old data kept in flash until programmed successfully.

3.5 Quick Erase

Accomplished by the Secure Erase (SE) command, which added to the open ANSI standards that control disk drives, "Quick Erase" is built into the disk drive itself and thus far less susceptible to malicious software attacks than external software utilities. It is a positive easy-to-use data destroy command, amounting to electronic data shredding. Executing the command causes a drive to internally completely erase all possible user data. This command is carried out within disk drives, so no additional software is required. Once executed, neither data nor the erase counter on the device would be recoverable, which blurs the accuracy of

device lifespan. The process to erase will not be stopped until finished while encountering power failure, and will be continued when power is back on.

3.6 S.M.A.R.T.

S.M.A.R.T. is an acronym for Self-Monitoring, Analysis and Reporting Technology, an open standard allowing disk drives to automatically monitor their own health and report potential problems. It protects the user from unscheduled downtime by monitoring and storing critical drive performance and calibration parameters. Ideally, this should allow taking proactive actions to prevent impending drive failure.

Apacer SMART feature follows the SATA Rev. 2.5, ATA/ATAPI-7 specifications, using the standard SMART command B0h to read data from the drive. And based on the SFF-8035i Rev. 2.0 specifications, Apacer SMART defines 3 vendor-specified SMART Attribute IDs (E5h, E8h-EFh, and F3h) in the SDM. They represent Flash ID, good block count, free-list block count, maximum erase count, average erase count, and firmware version information. When the Apacer SMART Utility running on the host, it analyzes and reports the disk status to the host before the SDM is in critical condition.

4. Environmental Specifications

4.1 Environments

The SDM environmental specifications follow the US Military Standard MIL-STD-810F, as shown in Table 4-1.

Table 4-1 SDM environmental specifications (plan)

Environment		Specification
Temperature	Operation	0°C to 70°C
	Storage	-40°C to 100°C
Humidity		5% to 95% RH (Non-condensing)
Vibration		Sine wave: 5~55~5 Hz (X, Y, Z) Random: 10-2000 Hz, 16.3 G (X, Y, Z)
Shock		Acceleration: 1,500 G, 0.5 ms Peak acceleration: 50 G, 11 ms

5. Electrical Specification

Caution: Absolute Maximum Stress Ratings – (Applied conditions greater than those listed under “Absolute Maximum Stress Ratings” may cause permanent damage to the device. This is a stress rating only and functional operation of the device at these conditions or conditions greater than those defined in the operational sections of this data sheet is not implied. Exposure to absolute maximum stress rating conditions may affect device reliability.

Table 5-1: Operating voltage

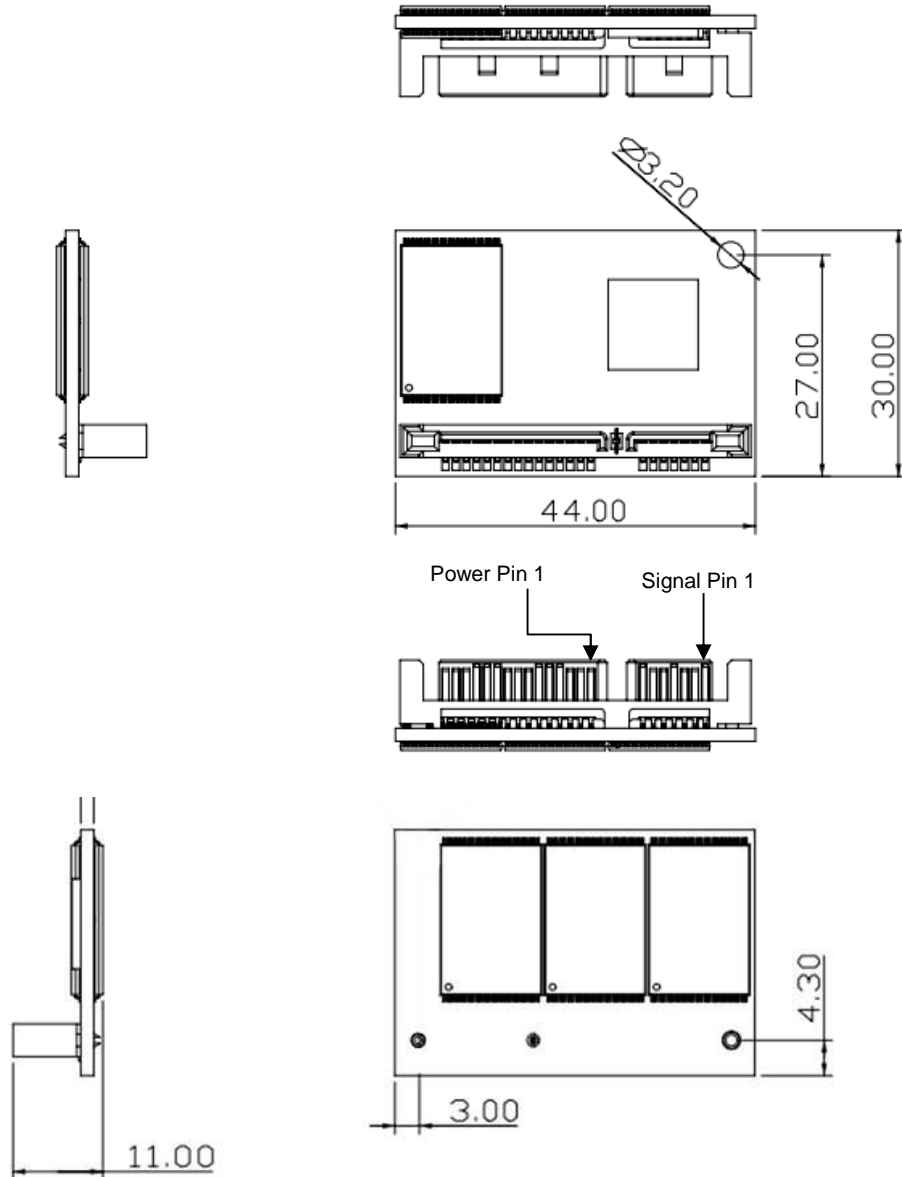
Ambient Temperature	5V
0°C to 70°C	4.5-5.5V

Table 5-2: Absolute maximum power pin stress ratings

Parameter	Symbol	Conditions
Input Power	V_{DD}	-0.3V min. to 6.5V max.
Voltage on any pin except V_{DD} with respect to GND	V	-0.5V min. to $V_{DD} + 0.5V$ max.

6. Physical Characteristics

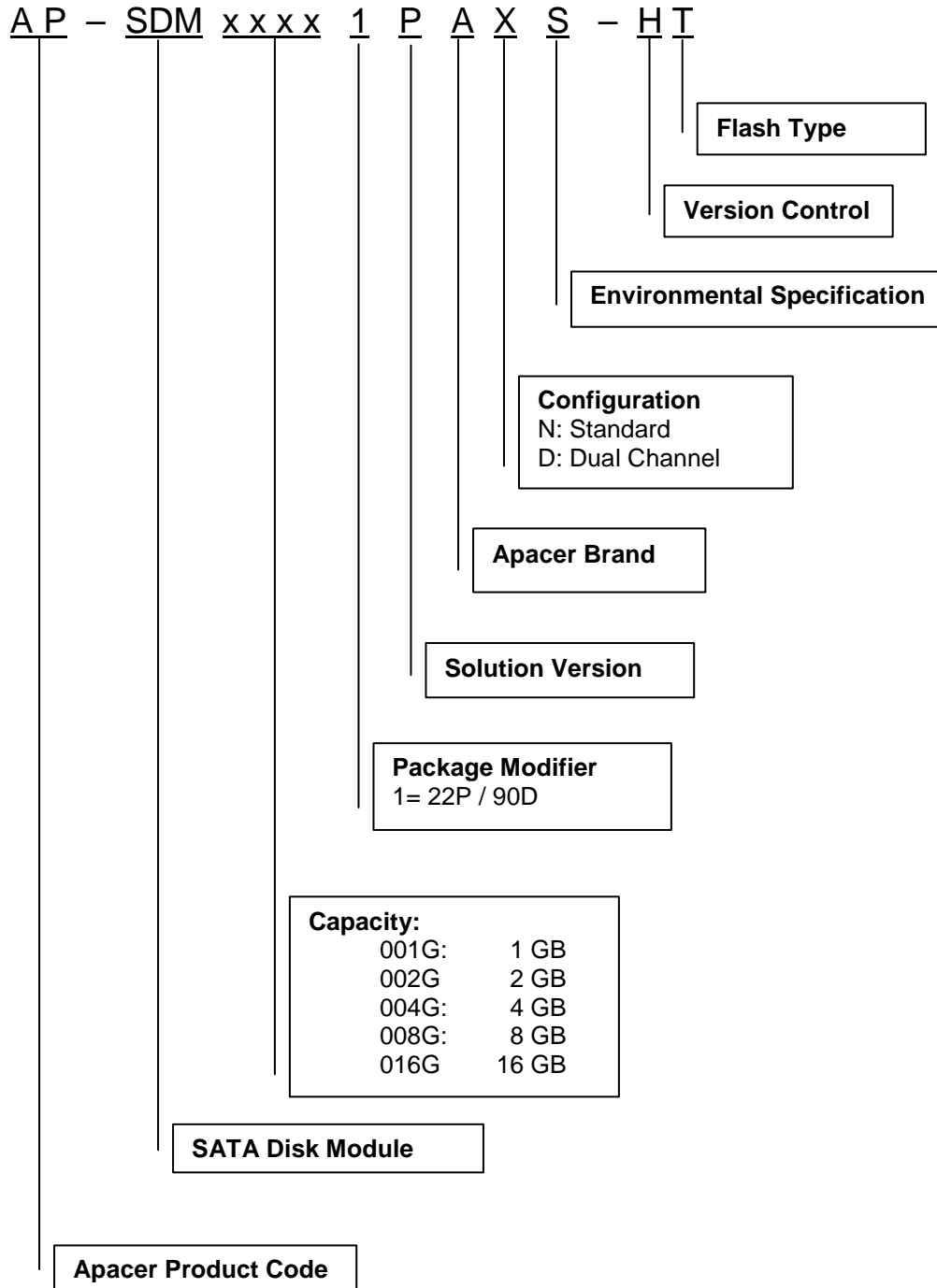
6.1 Dimension



Unit: mm
Tolerance: ± 0.25

7. Product Ordering Information

7.1 Product Code Designations



7.2 Valid Combinations

Standard type

Capacity	Model Number
1 GB	AP-SDM001G1PANS-HT
2 GB	AP-SDM002G1PANS-HT
4 GB	AP-SDM004G1PANS-HT
8 GB	AP-SDM008G1PANS-HT
16 GB	AP-SDM016G1PANS-HT

High Speed type

Capacity	Model Number
4 GB	AP-SDM004G1PADS- HT
8 GB	AP-SDM008G1PADS- HT

Note: Valid combinations are those products in mass production or will be in mass production. Consult your Apacer sales representative to confirm availability of valid combinations and to determine availability of new combinations.

Revision History

Revision	Date	Description	Remark
1.0	10/29/2009	Official release	
1.1	01/25/2010	Updated all performance figures	
1.2	04/06/2010	Updated cover page	
1.3	01/18/2011	Updated product ordering information	

Global Presence

Taiwan (Headquarters)	Apacer Technology Inc. 4 th Fl., 75 Xintai 5 th Rd., Sec.1 Hsichih, New Taipei City Taiwan 221 R.O.C. Tel: +886-2-2698-2888 Fax: +886-2-2698-2889 amtsales@apacer.com
U.S.A.	Apacer Memory America, Inc. 386 Fairview Way, Suite102, Milpitas, CA 95035 Tel: 1-408-518-8699 Fax: 1-408-935-9611 sa@apacerus.com
Japan	Apacer Technology Corp. 5F, Matsura Bldg., Shiba, Minato-Ku Tokyo, 105-0014, Japan Tel: 81-3-5419-2668 Fax: 81-3-5419-0018 jpsservices@apacer.com
Europe	Apacer Technology B.V. Aziëlaan 22, 5232 BA 's-Hertogenbosch, The Netherlands Tel: 31-73-645-9620 Fax: 31-73-645-9629 sales@apacer.nl
China	Apacer Electronic (Shanghai) Co., Ltd 1301, No.251,Xiaomuqiao Road, Shanghai, 200032, China Tel: 86-21-5529-0222 Fax: 86-21-5206-6939 sales@apacer.com.cn
India	Apacer Technologies Pvt Ltd, #1064, 1st Floor, 7th 'A' Main, 3rd Block Koramangala, Bangalore – 560 034 Tel: +91 80 4152 9061/62/63 Fax: +91 80 4170 0215 sales_india@apacer.com

Mouser Electronics

Authorized Distributor

Click to View Pricing, Inventory, Delivery & Lifecycle Information:

[Apacer:](#)

[AP-SDM001G1PANS-HT](#)