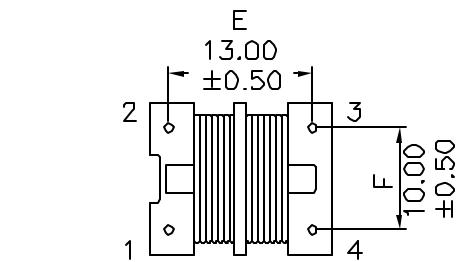
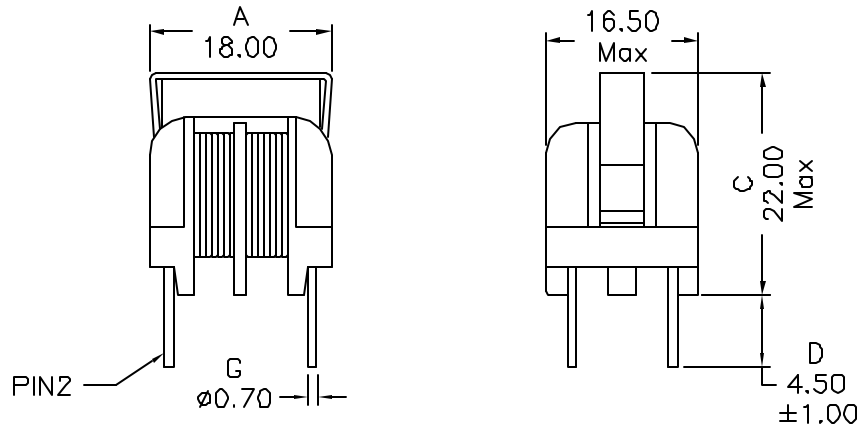
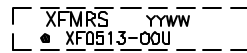


1. Mechanical Dimensions:

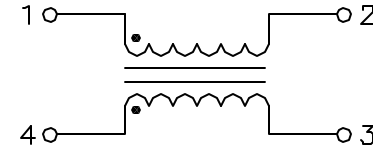


(BOTTOM VIEW)

MARKING: (ON TOP OF CLIP)



2. Schematic:



3. Electrical Specifications:

- Inductance: 51mH Min @1KHz 1V Each Wdg.
35mH Min @1KHz 1V Each Wdg -40°C
- Inductance Balance: 1mH Max @1KHz 1V Wdg.1-Wdg.2
- LL: Pins 1-2 1.5mH Max @100KHz 0.1V Short 4-3
- Q: Pins 1-2,4-3 15 Min @10KHz 1V
- DCR: 9.51 Ohms Max Each Wdg.
- Rated Current: 0.150Aac
- Hipot: 2000Vac 1 Minute (Pins 1-2 to 3-4)
- Turns Ratio: (1-2):(4-3)=1:1±2%
- Rated Voltage: 250Vrms Max

Notes:

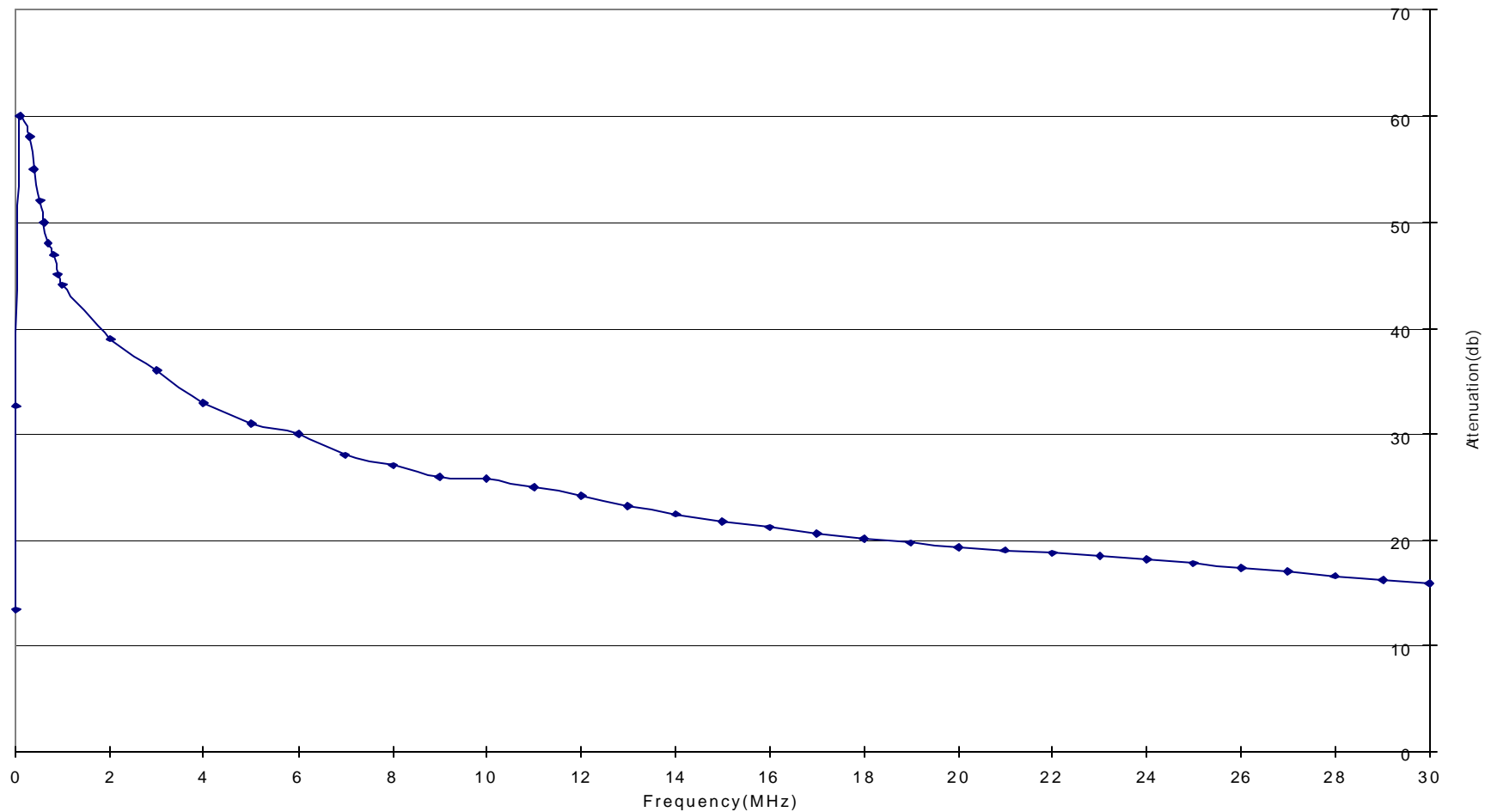
1. Solderability: Leads shall meet MIL-STD-202G, Method 208H for solderability.
2. Flammability: UL94V-0
3. ASTM oxygen Index: > 28%
4. Insulation System: Class F 155°C. UL file E151556
5. All listed parameters are to be within tolerance from -40C to +85C unless otherwise noted
6. Storage Temperature Range: -55°C to +125°C
7. Aqueous wash compatible
8. Electrical and mechanical specifications 100% tested
9. RoHS Compliant Component

DOC. REV. A/4

PROPRIETARY

Document is the property of XFMRS Group & is not allowed to be duplicated without authorization.

XFMRS Inc www.XFMRS.com	Title: LINE FILTER		
	UNLESS OTHERWISE SPECIFIED TOLERANCES: .xx ±0.25 Dimensions in MM		P/N: XFO513-00U
SHEET 1 OF 2	DWN.	Xianyì	Oct-29-09
	CHK.	YK Liao	Oct-29-09
	APP.	Joe Huff	Oct-29-09



DOC REV: A/4

XFMRs Inc www.XFMRs.com	Title: LINE FILTER		
	UNLESS OTHERWISE SPECIFIED P/N: XF0513-00U		REV. A
TOLERANCES: .xx ±0.25	DWN.	Xianyí	Oct-29-09
Dimensions in MM	CHK.	YK Liao	Oct-29-09
SHEET 2 OF 2	APP.	Joe Huff	Oct-29-09

PROPRIETARY

Document is the property of XFMRs Group & is not allowed to be duplicated without authorization.