

ATE4/ATLE4

Subminiature Toggle Switch With Locking Lever

Washable



UL

RoHS Compliant

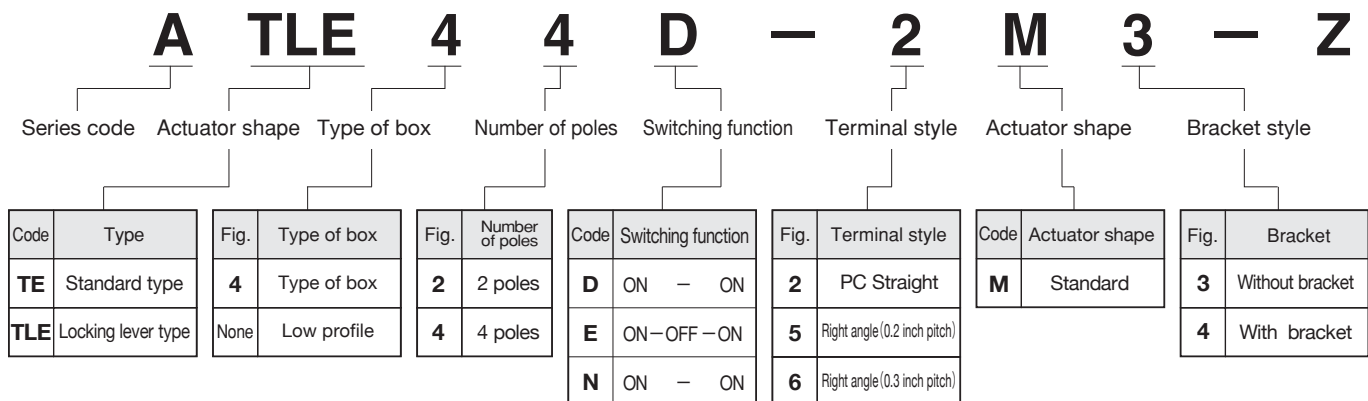
Features

1. Twin-contact clip mechanism for high reliability.
2. Process sealed structure

Specifications

Rating	Max.	50mA 48VAC/DC
	Min.	1 μ A 20mVAC/DC
Initial contact resistance	100m Ω max. (1.5mA 200 μ VAC)	
Dielectric strength	500VAC 1 minute	
Insulation resistance	500M Ω min. (250VDC)	
Electrical life	10,000 cycles at max. rating	
Operating temperature range	-20°C~+85°C	
Storage temperature range	-40°C~+85°C	

Part Numbering



PC Hole Layouts

Type	Terminal style	PC Straight (Without bracket)
ATE42□-2M3-Z ATLE42□-2M3-Z	2-poles	
ATE42□-2M3-Z ATLE44□-2M3-Z	4-poles	

Type	Terminal style	PC Straight (With bracket)
ATE42□-2M3-Z ATLE42□-2M3-Z	2-poles	
ATE44□-2M4-Z ATLE44□-2M4-Z	4-poles	

ATE

PC Hole Layouts

Type	Terminal style	Right angle
ATE42□-6M3-Z ATLE42□-6M3-Z	2-poles	
ATE44□-6M3-Z ATLE44□-6M3-Z	4-poles	

Packaging Specification

Plastick Pack ATE-2M	Standard type 50 pcs/pack
Plastick Pack ATE-6M ATLE-2M ATLE-5M ATLE-6M	Right-angle type 50 pcs/pack

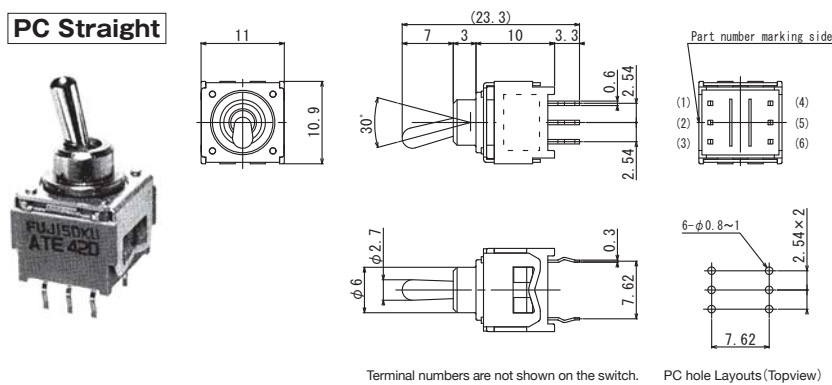
Type of Actuator

Standard type	Locking lever type

ATE (Subminiature Toggle Switch)

DPDT

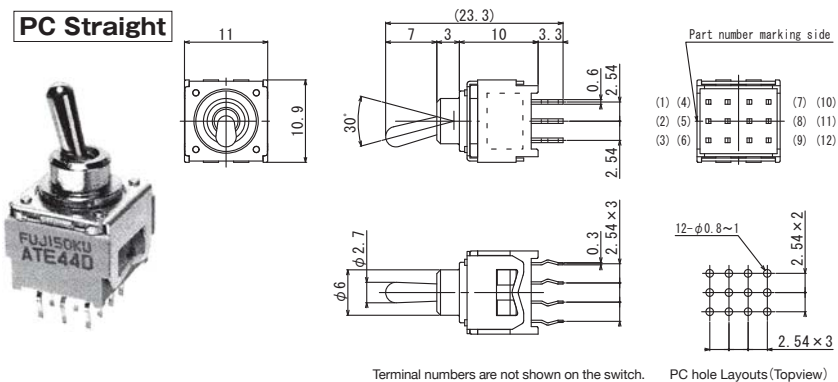
PC Straight



Switching function	Viewed from part No. marking side		
Part No.			
★ ATE42D-2M3-Z	ON	—	ON
★ ATE42E-2M3-Z	ON	OFF	ON
Connecting terminals	2-1 5-4	—	2-3 5-6

4PDT

PC Straight

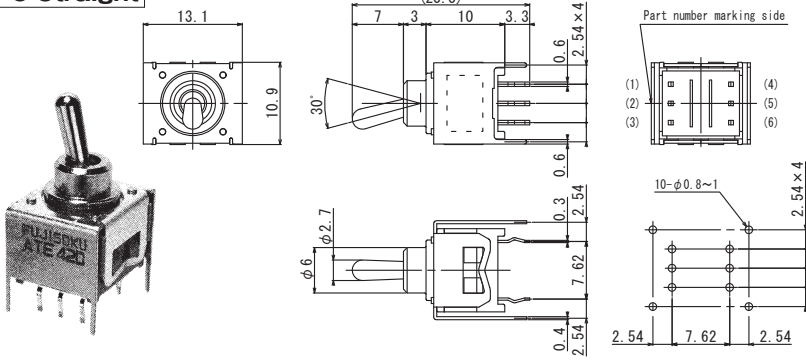


Switching function	Viewed from part No. marking side		
Part No.			
★ ATE44D-2M3-Z	ON	—	ON
☆ ATE44E-2M3-Z	ON	OFF	ON
Connecting terminals	2-1 5-4 8-7 11-10	—	2-3 5-6 8-9 11-12

ATE(Subminiature Toggle Switch)

DPDT

PC Straight



(With bracket)

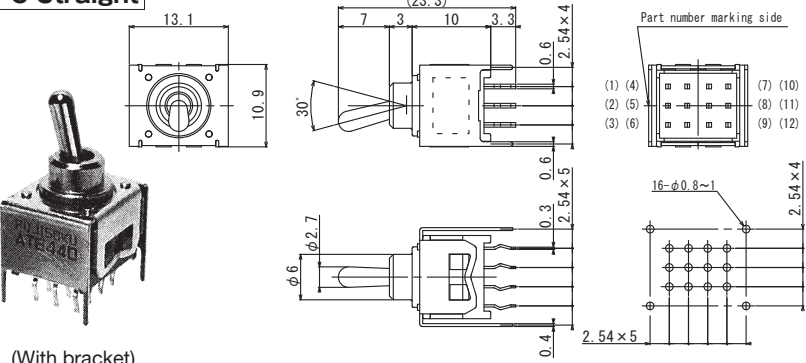
Terminal numbers are not shown on the switch.

PC hole Layouts (Topview)

Switching function	Viewed from part No. marking side		
Part No.	★ ATE42D-2M4-Z	—	—
Connecting terminals	2-1 5-4	—	2-3 5-6

4PDT

PC Straight



(With bracket)

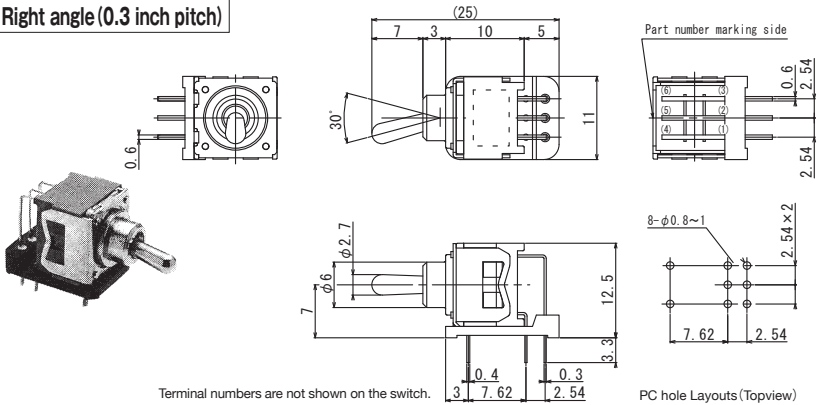
Terminal numbers are not shown on the switch.

PC hole Layouts (Topview)

Switching function	Viewed from part No. marking side		
Part No.	☆ ATE44D-2M4-Z	—	—
Connecting terminals	2-1 5-4 8-7 11-10	—	2-3 5-6 8-9 11-12

DPDT (Mounting height : 7mm)

Right angle (0.3 inch pitch)



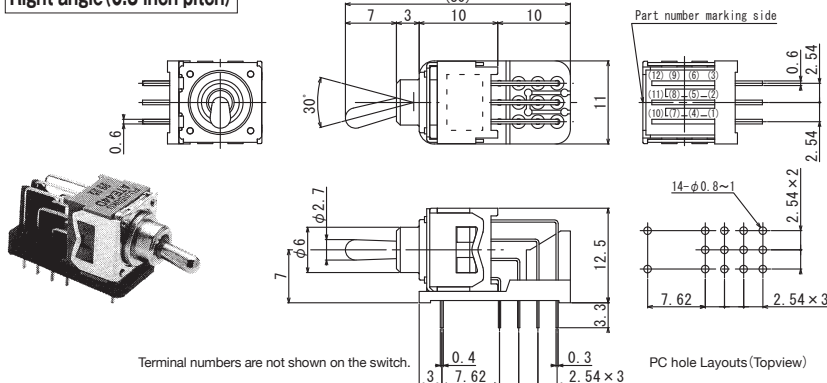
Terminal numbers are not shown on the switch.

PC hole Layouts (Topview)

Switching function	Viewed from part No. marking side		
Part No.	☆ ATE42D-6M3-Z	—	—
Connecting terminals	2-3 5-6	—	2-1 5-4

4PDT (Mounting height : 7mm)

Right angle (0.3 inch pitch)



Terminal numbers are not shown on the switch.

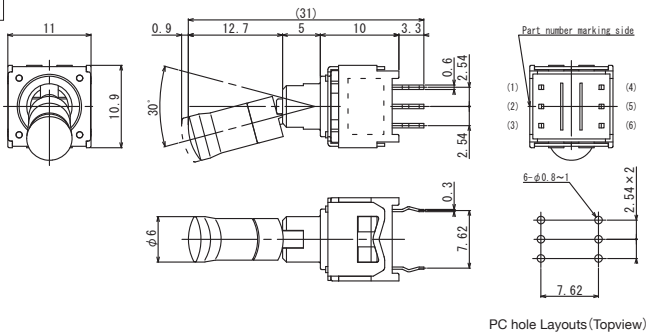
PC hole Layouts (Topview)

Switching function	Viewed from part No. marking side		
Part No.	☆ ATE44D-6M3-Z	—	—
Connecting terminals	2-3 5-6 8-9 11-12	—	2-1 5-4 8-7 11-10

ATLE (Locking Lever Toggle Switch)

DPDT

PC Straight



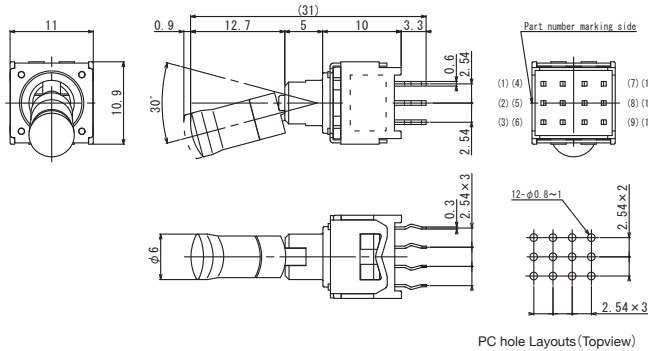
PC hole Layouts (Topview)

Terminal numbers are not shown on the switch.

Switching function	Viewed from part No. marking side		
Part No.			
★ATLE42D-2M3-Z	ON	—	ON
★ATLE42E-2M3-Z	ON	OFF	ON
Connecting terminals	2-1 5-4	—	2-3 5-6

4PDT

PC Straight



PC hole Layouts (Topview)

Terminal numbers are not shown on the switch.

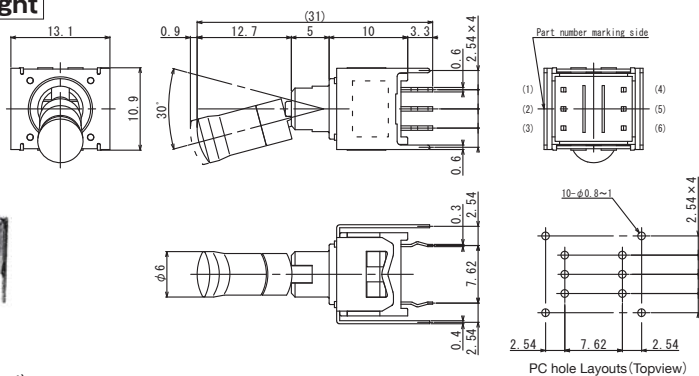
Switching function	Viewed from part No. marking side		
Part No.			
★ATLE44D-2M3-Z	ON	—	ON
★ATLE44E-2M3-Z	ON	OFF	ON
Connecting terminals	2-1 5-4 8-7 11-10	—	2-3 5-6 8-9 11-12

DPDT

PC Straight



(With bracket)



PC hole Layouts (Topview)

Terminal numbers are not shown on the switch.

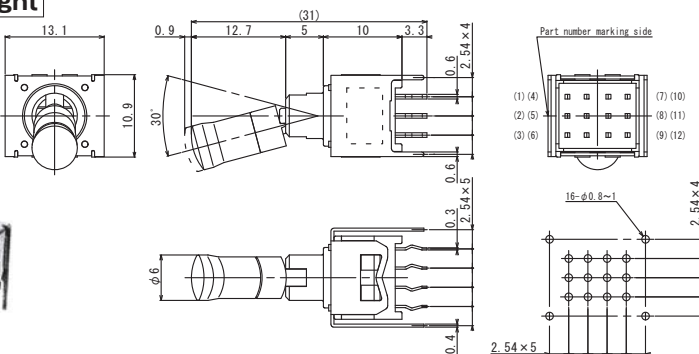
Switching function	Viewed from part No. marking side		
Part No.			
☆ATLE42D-2M4-Z	ON	—	ON
☆ATLE42E-2M4-Z	ON	OFF	ON
Connecting terminals	2-1 5-4	—	2-3 5-6

4PDT

PC Straight



(With bracket)



PC hole Layouts (Topview)

Terminal numbers are not shown on the switch.

Switching function	Viewed from part No. marking side		
Part No.			
★ATLE44D-2M4-Z	ON	—	ON
★ATLE44E-2M4-Z	ON	OFF	ON
Connecting terminals	2-1 5-4 8-7 11-10	—	2-3 5-6 8-9 11-12

★ : Made to order products.

☆ : Semi-standard products.

Standard Accessories

For Locking Lever Type

《Supplied separately》

Color Cap		
Dimensions	Color	Part No.
 <p>Alumite finish</p> <p>Aluminium alloy</p>	Silver	140000470225
	Red	140000470234
	Blue	140000470259
	Black	140000470260

A Silver cap is attached to the switch. Red, Blue, and Black caps are also available (sold separately).

Flux Cleaning

- (1) Solvent : Fluorine or Alcohol type.
- (2) Cleaning after soldering should be done after the terminal temperature falls to 90°C or below, or after leaving the switch for five minutes or longer at room temperature.

Soldering Specifications

- (1) Manual Soldering
Device : Soldering iron
380°C, Max.; 3 seconds, Max.
 - (2) Auto Soldering
Device : Jet wave type or dip type
275°C, Max.; 6 seconds, Max.
- Pre-heating should be done at temperatures ranging from 80°C to 120°C and within 120 sec.

Mounting of Switch

- Do not bend the terminals before mounting the switch on the PC board.
- After mounting the switch, do not place the device in such a way that the device weight will be applied on to the actuator of the switch.
- Do not apply load exceeding 12.74 N to the knob.