

PLEASE CHECK WWW.MOLEX.COM FOR LATEST PART INFORMATION

Part Number: [0330013022](#)
Status: **Active**
Overview: [mx150 sealed connector system](#)
Description: MX150™ Female Terminal, Select Gold (Au) Plating, 18-20 AWG, Left Reel Payoff, Large Polarization Rib, Contact Material Thickness 0.30mm (.012")

Documents:

[Drawing \(PDF\)](#) [RoHS Certificate of Compliance \(PDF\)](#)

General

Product Family	Crimp Terminals
Series	33001
Comments	Left Reel Payoff, Large Polarization Rib
Crimp Quality Equipment	Yes
Overview	mx150 sealed connector system
Product Name	MX150™

Physical

Gender	Female
Material - Metal	High Performance Alloy (HPA)
Material - Plating Mating	Unplated
Material - Plating Termination	Unplated
Packaging Type	Reel
Plating min: Mating (µin)	30.4
Plating min: Mating (µm)	0.76
Plating min: Termination (µin)	100
Plating min: Termination (µm)	2.5
Termination Interface: Style	Crimp or Compression
Wire Insulation Diameter	2.60mm (.102") max.
Wire Size AWG	18, 20
Wire Size mm²	0.75, 1.00

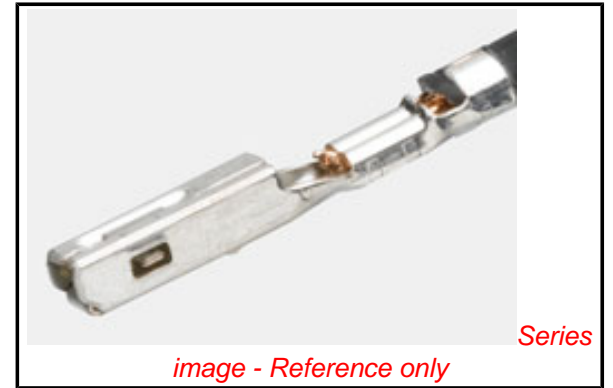
Electrical

Current - Maximum per Contact	22A
Voltage - Maximum	250V

Material Info

Reference - Drawing Numbers

Sales Drawing	SD-33012-002
---------------	--------------



EU RoHS

ELV and RoHS Compliant
REACH SVHC
Contains SVHC: No
Halogen-Free
Status

China RoHS



Not Reviewed

Need more information on product environmental compliance?

Email productcompliance@molex.com
 For a multiple part number RoHS Certificate of Compliance, [click here](#)

Please visit the [Contact Us](#) section for any non-product compliance questions.

Search Parts in this Series

[33001Series](#)

Use With

[33472](#) Dual Row Housing. [33476](#) Hybrid Housing. [33471](#) Single Row Housing

Application Tooling | FAQ

Tooling specifications and manuals are found by selecting the products below. Crimp Height Specifications are then contained in the Application Tooling Specification document.

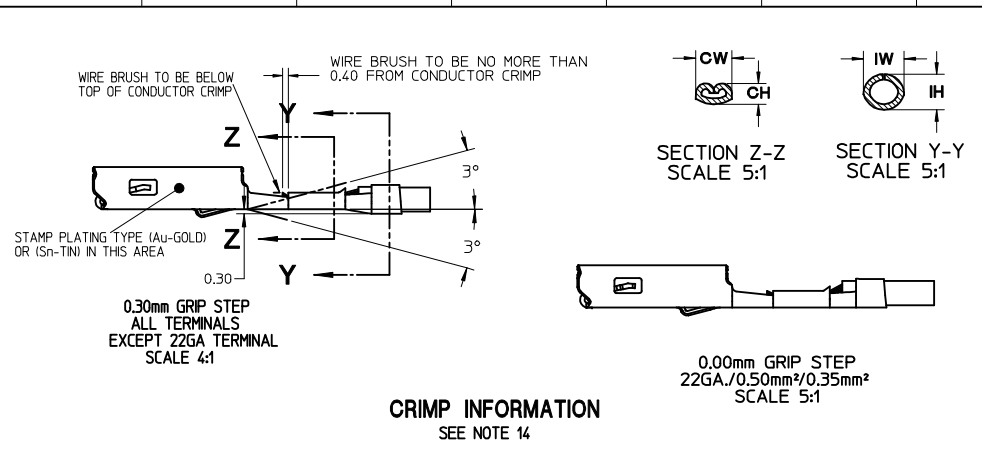
Global

Description	Product #
Manual Extraction Tool	0638131500
FineAdjust™ Applicator	0639000800
FineAdjust™ Applicator	0639000900
Hand Crimp Tool, 18-22AWG	0638116000

Hand Crimp Tool, 0638116100
Metric 1.00 and 1.50
Hand Crimp Tool, 0638116200
Metric 0.05 and 0.75

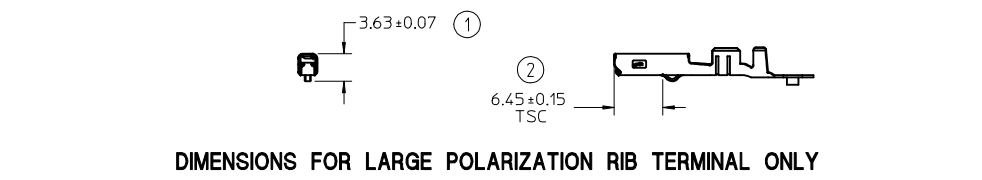
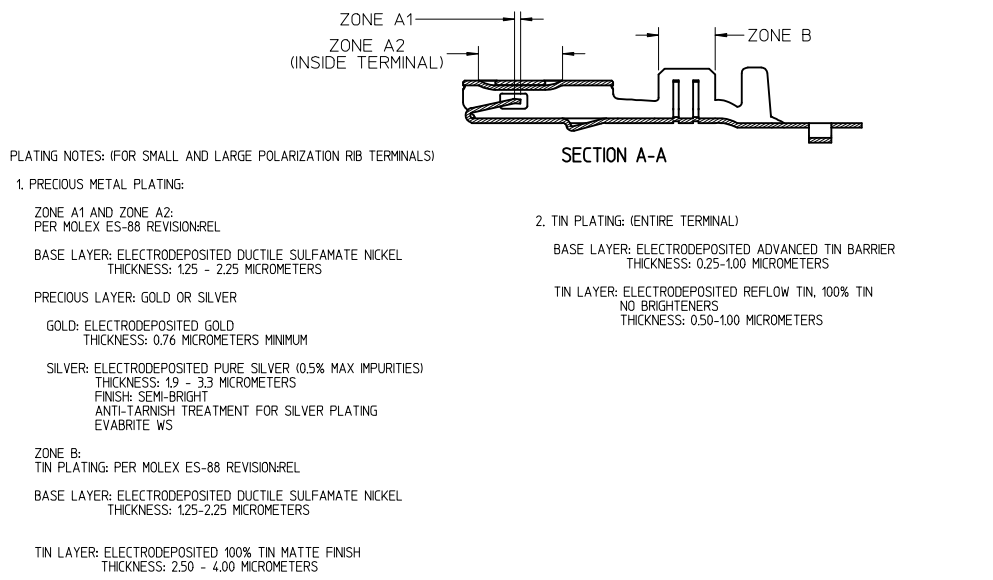
This document was generated on 05/27/2010

PLEASE CHECK WWW.MOLEX.COM FOR LATEST PART INFORMATION

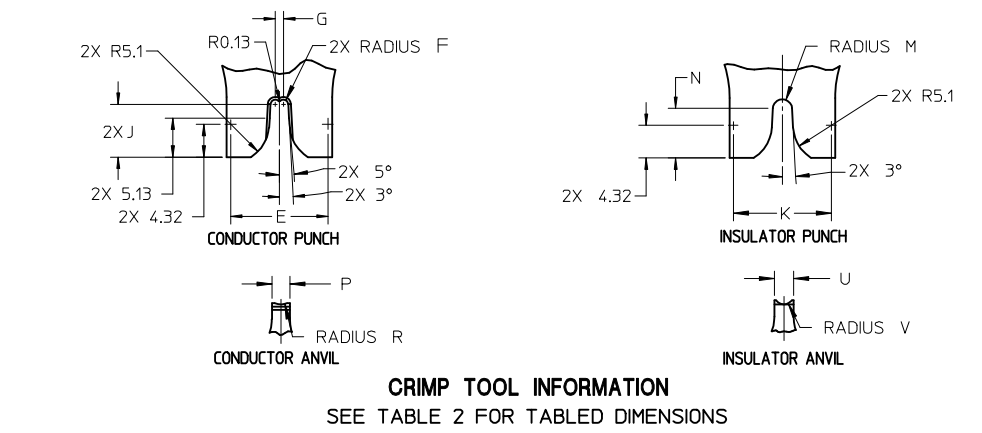


CRIMP INFORMATION
SEE NOTE 14

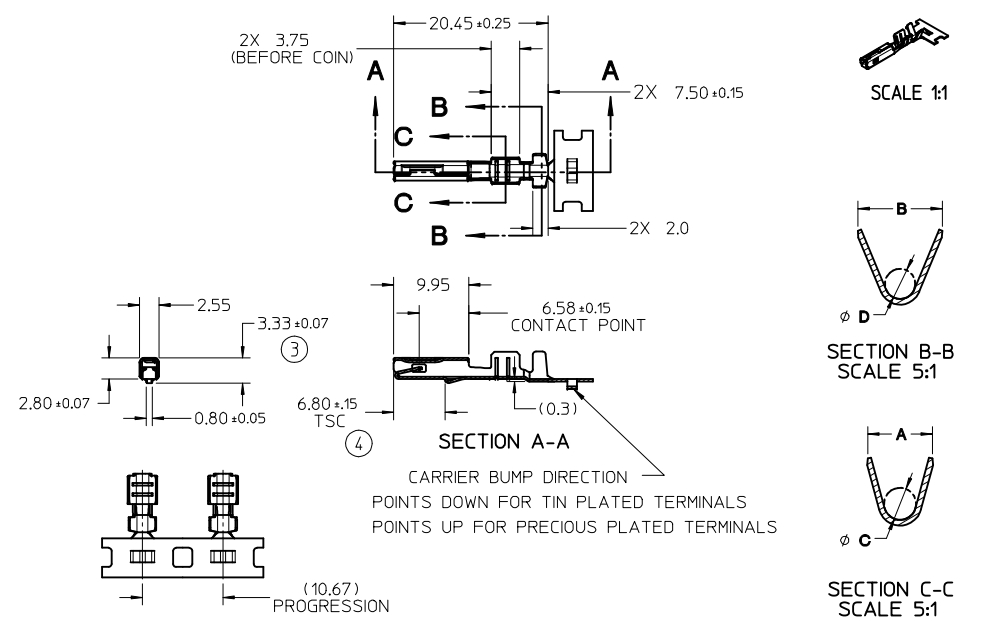
PLATING INFORMATION



DIMENSIONS FOR LARGE POLARIZATION RIB TERMINAL ONLY



CRIMP TOOL INFORMATION
SEE TABLE 2 FOR TABLED DIMENSIONS



- NOTES: (UNLESS OTHERWISE SPECIFIED)
- MATING TERMINAL SHOWN ON SD-33000-001
 - MATERIAL: ASTM B422, UNS C19025, HR04 THICKNESS: 0.30 mm ±0.01 TEMPER: FULL HARD (REF) TENSILE: 496 MIN MPA PLATING: SEE PLATING NOTES ABOVE
 - MEETS PERFORMANCE SPECIFICATION FOR CABLE TO TERMINAL ELECTRICAL CRIMPS PER SAE/USCAR-21 (8/2001)
 - MEETS PERFORMANCE STANDARD FOR AUTOMOTIVE ELECTRICAL CONNECTOR SYSTEMS FOR SAE/USCAR-2, REV. 4 (TEMP CLASS 3) (4/2001)
 - MEETS ELECTRICAL CONNECTION SYSTEM DESIGN SPECIFICATION (SDS) REV.11 (5/2002)
 - MEETS FIELD CORRELATED LIFE TEST (FCLT) PER SAE/USCAR-20 (11/2001)
 - MEETS WIRING COMPONENT DESIGN GUIDELINES SAE/USCAR-12 REV 2 (12/2001)
 - TSC ON A DIMENSION TO BE INTERPRETED AS DISTANCE TO A THEORETICAL SHARP CORNER AS IF THE RADIUS WERE NOT PRESENT
 - DRAWING CONFORMS TO AVP-(T401/T406)-001 REVISION A DATED 2/16/99
 - REFERENCE 97B5-14474-AAB FOR LARGE POLARIZATION RIB CAVITY SPECIFICATION
 - INSERTION FORCE (TIN) AVG. FROM PV TESTING = 3.8N LARGE POLARIZATION RIB 3.5N SMALL POLARIZATION RIB (REFERENCE)
 - ALL DIMENSIONS EXCEPT ①, ②, ③ & ④ ARE COMMON TO BOTH SMALL AND LARGE POLARIZATION RIB TERMINALS
 - REFERENCE PK-31300-516 FOR REEL DIRECTION
 - REFERENCE CS-33012-002 FOR ADDITIONAL CRIMP INFORMATION

ENTER DESCRIPTION IEC NO: UAU2010-0107 DR: WINKFERGUSON CHKD: A. DHIR APPR: B. MOSER 2009/08/19 2009/08/20	QUALITY SYMBOLS ▽=0 ▽=0	GENERAL TOLERANCES (UNLESS SPECIFIED)		DIMENSION STYLE MM ONLY	SCALE 2:1	DESIGN UNITS METRIC	THIRD ANGLE PROJECTION
		mm INCH	DRAWN BY DATE L. PULLIAM 2005/06/21	TITLE MX150 RECEPTACLE TERMINAL			
		4 PLACES ± --- ± --- 3 PLACES ± 0.005 ± --- 2 PLACES ± 0.10 ± --- 1 PLACE ± 0.3 ± ---	CHECKED BY DATE A. DHIR 2005/06/21	MOLEX MOLEX INCORPORATED			
		ANGULAR ± 3 °	APPROVED BY DATE B. MOSER 2005/06/22	MATERIAL NO. SEE TABLE	DOCUMENT NO. SD-33012-002	SHEET NO. 1 OF 5	

THIS DRAWING CONTAINS INFORMATION THAT IS PROPRIETARY TO MOLEX INCORPORATED AND SHOULD NOT BE USED WITHOUT WRITTEN PERMISSION

TABLE 1 - TERMINAL CRIMP DIM. REFERENCE 9

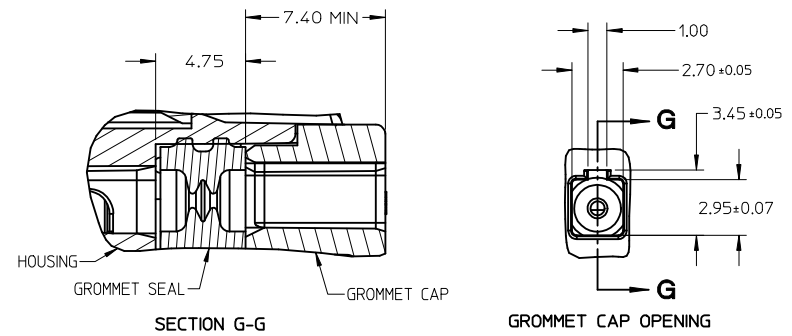
J	SUPPLIER PART NO.		FORD PART NO.	PLATING	WIRE SIZE (awg)	WIRE SPECIFICATION	CONDUCTOR CH (SEC Z-Z) ±0.05 mm		CONDUCTOR CW (SEC Z-Z) ±0.10 mm		INSULATOR IH (SEC Y-Y) ±0.10 mm		INSULATOR IW (SEC Y-Y) ±0.10 mm		WIRE PULL FORCE (N)
	RIGHT PAYOFF	LEFT PAYOFF													
J	SMALL POLARIZATION RIB														
	33012-2001	33012-3001	7C3T-14474-EA	TIN	14	ML-123A	1.65	2.45	2.90	2.75	2.68				
I	33012-2002	33012-3002	7C3T-14474-DA	TIN	16	ML-123A	1.35	2.45	2.40	2.60	2.22				
	33012-2003	33012-3003	7C3T-14474-CA	TIN	18	ML-123A	1.25	2.15	2.00	2.30	1.57				
H	33012-2001	33012-3001	7C3T-14474-EA	TIN	20	SAE J1128 (IGXL)	1.25	2.15	2.40	2.60	1.58				
	33012-2002	33012-3002	7C3T-14474-DA	TIN	20	ML-123A	1.15	2.15	1.90	2.10	1.28				
G	33012-2003	33012-3003	7C3T-14474-CA	TIN	20	HFLON WIRE ¹	1.15	2.15	1.90	2.10	1.35				
	33012-2003*	33012-3003*	7C3T-14474-CA*	TIN	20	SAE J1128 (IGXL)	1.15	2.15	2.00	2.30	1.05				
F	33001-2003	33001-3003	7C3T-14474-HA	GOLD	14	ML-123A	1.65	2.45	2.90	2.75	2.68				
	33001-2004	33001-3004	7C3T-14474-GA	GOLD	16	ML-123A	1.35	2.45	2.40	2.60	2.22				
E	33001-2005	33001-3005	7C3T-14474-FA	GOLD	18	ML-123A	1.25	2.15	2.00	2.30	1.57				
	33001-2003	33001-3003	7C3T-14474-HA	GOLD	18	SAE J1128 (IGXL)	1.25	2.15	2.40	2.60	1.58				
D	33001-2004	33001-3004	7C3T-14474-GA	GOLD	20	ML-123A	1.15	2.15	1.90	2.10	1.28				
	33001-2005	33001-3005	7C3T-14474-FA	GOLD	20	HFLON WIRE ¹	1.15	2.15	1.90	2.10	1.35				
C	33001-2005*	33001-3005*	7C3T-14474-FA*	GOLD	20	SAE J1128 (IGXL)	1.15	2.15	2.00	2.30	1.05				
	33001-4001	33001-5001	7U5T-14474-UA	SILVER**	14	ML-123A	1.65	2.45	2.90	2.75	2.68				
B	33001-4002	33001-5002	7U5T-14474-TA	SILVER**	16	ML-123A	1.35	2.45	2.40	2.60	2.22				
	33001-4003	33001-5003	7U5T-14474-SA	SILVER**	18	ML-123A	1.25	2.15	2.00	2.30	1.57				
A	33001-4002	33001-5002	7U5T-14474-TA	SILVER**	20	SAE J1128 (IGXL)	1.25	2.15	2.40	2.60	1.58				
	33001-4003	33001-5003	7U5T-14474-SA	SILVER**	20	HFLON WIRE ¹	1.15	2.15	1.90	2.10	1.35				
A	33001-4003*	33001-5003*	7U5T-14474-SA*	SILVER**	20	SAE J1128 (IGXL)	1.15	2.15	2.00	2.30	1.05				
	33001-4003*	33001-5003*	7U5T-14474-SA*	SILVER**	20	WSK-1A348-A2	0.95	1.60	1.70	1.90	0.50				

LARGE POLARIZATION RIB											
RIGHT PAYOFF	LEFT PAYOFF										
33001-4023	33001-5023	7U5T-14474-NA	SILVER**	0.50mm ²	ML-126A1	JASO D 611 (AVSSI)	1.10	1.60	1.80	1.90	1.11
33001-4023*	33001-5023*	7U5T-14474-NA*	SILVER**	0.35mm ²	WSK-1A348-A2		0.95	1.60	1.70	1.90	0.50

¹HFLON WIRE:
CORE WIRE: STAINLESS STEEL, SUS #0.14, 7 STRANDS
SURROUNDING WIRE: NICKEL (Ni) PLATED COPPER (Cu) #0.14, 30 STRANDS
INSULATOR: PTFE

* 0.35mm² WIRE MUST NOT BE USED IN MX150 SEALED CONNECTOR SYSTEMS

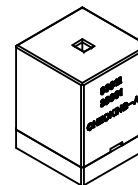
** SILVER PLATED TERMINALS NOT TO BE USED IN CONNECTOR SYSTEMS WITH CIRCUIT COUNTS HIGHER THAN 8 DUE TO HIGHER CONNECTOR MATE/UNMATE FORCE



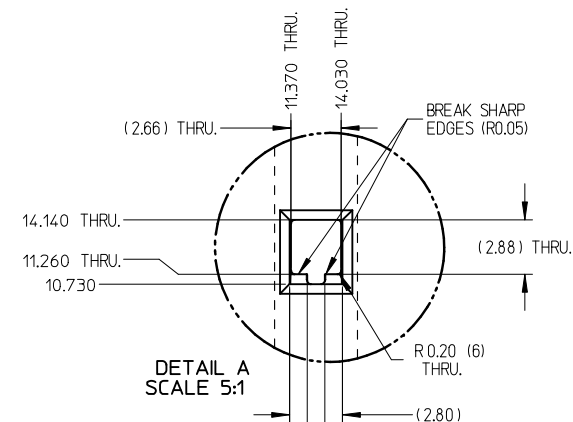
GROMMET SEAL / CAP CONFIGURATION TO MODIFY LARGE POLARIZATION RIB CAVITY TO ACCEPT SMALL POLARIZATION RIB APPLICATIONS

ENTER DESCRIPTION EC NO: UAU2010-0107 DRINKWATERGUSON 2009/08/18 CHK:DA-DHIR 2009/08/19 APPR:BMOSER 2009/08/20 B1	QUALITY SYMBOLS ▽=0 ▽=0	GENERAL TOLERANCES (UNLESS SPECIFIED)		DIMENSION STYLE MM ONLY		SCALE	DESIGN UNITS	THIRD ANGLE PROJECTION			
		4 PLACES ± --- ± --- 3 PLACES ± 0.005 ± --- 2 PLACES ± 0.10 ± --- 1 PLACE ± 0.3 ± ---		DRAWN BY DATE L. PULLIAM 2005/06/21		TITLE	MX150 RECEPTACLE TERMINAL MOLEX INCORPORATED	SHEET NO. 2 OF 5			
		ANGULAR ± 3 °		CHECKED BY DATE A. DHIR 2005/06/21		APPROVED BY DATE B. MOSER 2005/06/22		MATERIAL NO. SEE TABLE			
				DOCUMENT NO. SD-33012-002		THIS DRAWING CONTAINS INFORMATION THAT IS PROPRIETARY TO MOLEX INCORPORATED AND SHOULD NOT BE USED WITHOUT WRITTEN PERMISSION					

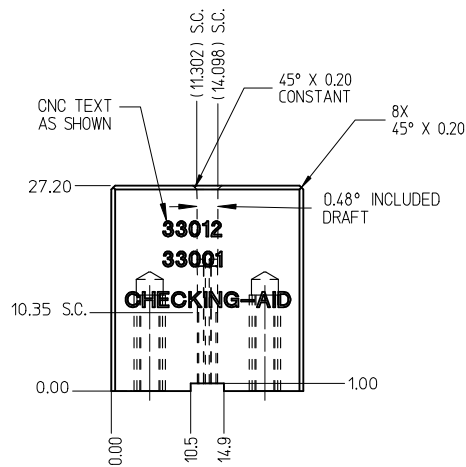
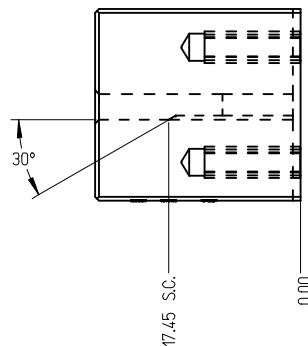
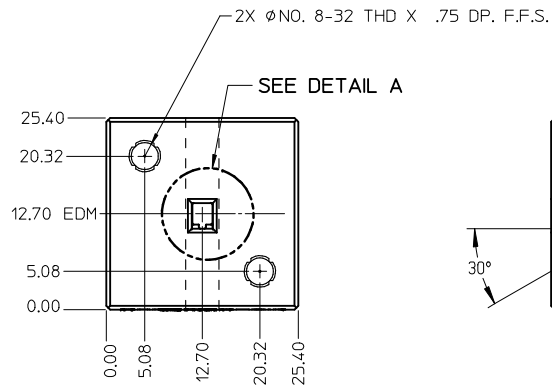
THIS CHECKING - AID IS FOR SMALL POLARIZATION RIB TERMINALS ONLY



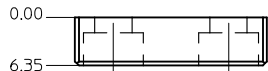
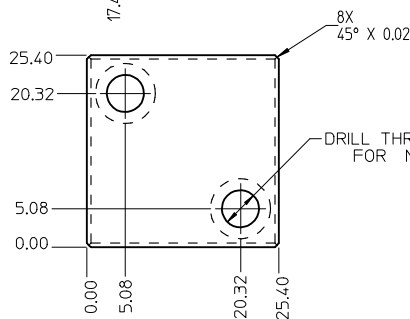
CHECKING - AID ASSEMBLY
SCALE 1:1



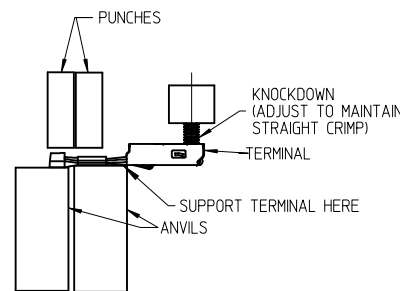
DETAIL A
SCALE 5:1



CHECKING - AID
UPPER



CHECKING - AID
LOWER

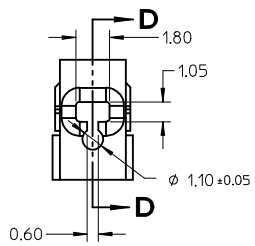
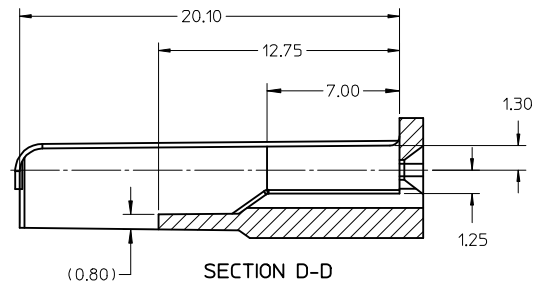
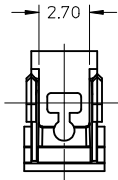


CRIMP REQUIREMENTS:

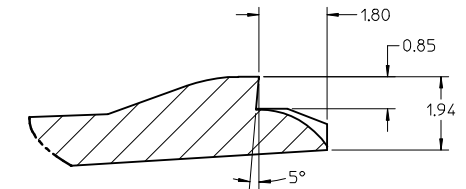
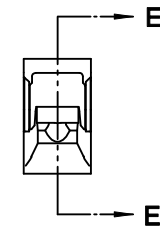
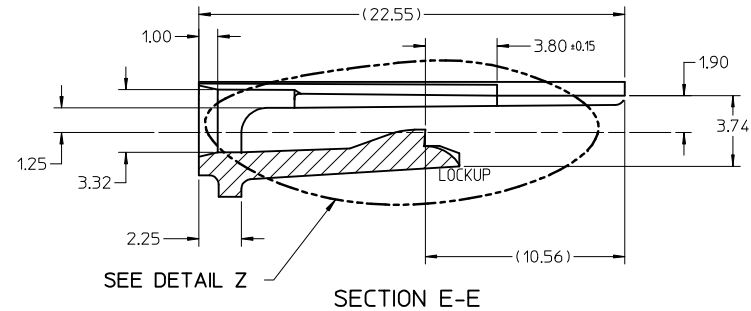
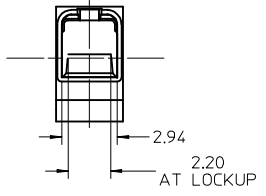
1. CRIMP STRAIGHTNESS MUST BE MAINTAINED
USE A KNOCKDOWN TOOL LOCATED AS SHOWN
TERMINAL BOX MUST NOT BE DEFORMED
2. AFTER CRIMPING, THE CRIMPED TERMINAL (AND UP TO 5 mm OF WIRE PAST THE INSULATOR CUTOFF TAB) MUST FIT FREELY INTO THE CHECKING-AID SHOWN ON THIS PAGE
3. FOR OTHER MECHANICAL REQUIREMENTS ON CRIMPED TERMINALS, REFER TO SAE/USCAR-21 (5-13-02) SECTIONS 4.2 (VISUAL INSPECTION), 4.2 (CROSS SECTION ANALYSIS) AND 4.4 (CONDUCTOR CRIMP PULLOUT FORCE)

UPPER & LOWER
CHECKING-AID
A2 TOOL STEEL
HARDEN & GRIND
ROCKWELL "C" 56-58

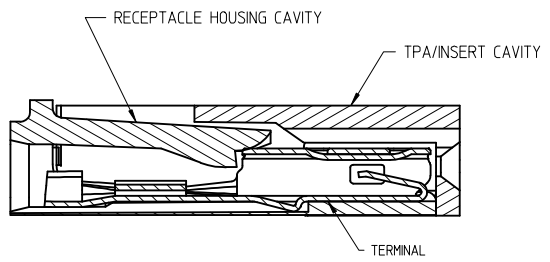
ENTER DESCRIPTION EC NO: UAU2010-0107 DRINKFERGUSON 2009/08/18 CHKDA:DHIR 2009/08/19 APPR:BMOSER 2009/08/20	QUALITY SYMBOLS ▽=0 ▽=0	GENERAL TOLERANCES (UNLESS SPECIFIED)		DIMENSION STYLE MM ONLY	SCALE 2:1	DESIGN UNITS METRIC	THIRD ANGLE PROJECTION	
		4 PLACES ± mm 3 PLACES ± 0.005 2 PLACES ± 0.10 1 PLACE ± 0.3	INCH ± --- ± --- ± --- ± ---	DRAWN BY L. PULLIAM	DATE 2005/06/21	CHECKED BY A. DHIR	DATE 2005/06/21	MX150 RECEPTACLE TERMINAL
APPROVED BY B. MOSER	DATE 2005/06/22	MATERIAL NO. SEE TABLE		DOCUMENT NO. SD-33012-002	MOLEX INCORPORATED			
REV B1	SIZE C	THIS DRAWING CONTAINS INFORMATION THAT IS PROPRIETARY TO MOLEX INCORPORATED AND SHOULD NOT BE USED WITHOUT WRITTEN PERMISSION						SHEET NO. 3 OF 5



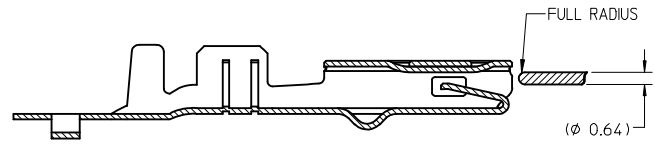
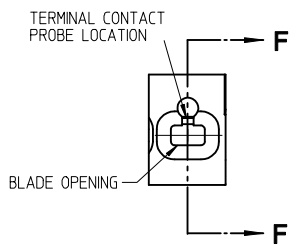
- NOTES: UNLESS OTHERWISE SPECIFIED
1. TOLERANCES: LINEAR ± 0.10
ANGULAR $\pm 3^\circ$
 2. ALL DRAFT WITHIN TOLERANCE.
 3. MAX RADII ON ALL CORNERS SHOWN SHARP: 0.10
 4. MAX FLASH PERMISSIBLE: 0.1
 5. EJECTOR PIN MARKS PERMISSIBLE IF FLUSH TO 0.25 BELOW SURFACE.
 6. MATERIAL: HOUSING/FINGER SPECIFICATION ENGINEERED FOR MATERIAL WITH THE FOLLOWING PROPERTIES:
A. FLEXURAL MODULUS = 4,500 TO 9,400 MPa
PER ASTM TEST D790
B. ELONGATION AT YIELD = 2.3% OR BETTER
PER ASTM TEST D638 TYPE V
 7. CAVITY SPEC FOR USE ONLY WITH MOLEX RECEPTACLE TERMINAL PART NUMBERS SPECIFIED ELSEWHERE ON THIS DRAWING



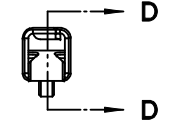
DETAIL Z
SCALE 20:1



SECTION F-F
RECEPTACLE CAVITY ASSEMBLED VIEWS
FOR SMALL POLARIZATION RIB APPLICATIONS
FIG. 1



SECTION D-D
FOR LARGE POLARIZATION RIB APPLICATIONS
FIG. 2



PROBING DOWN THE THROAT MUST USE THIS TERMINAL PROBE

PROBE PIN DETAILS:
MANUFACTURER: LONE STAR INDUSTRIAL
PART NUMBER: LS054R-403-N-4.6
PIN DIAMETER: 0.025 IN (0.64mm)
TIP SHAPE: SPHERICAL
TEL: 915-779-7255

PREFERRED PROBING LOCATION IS NOT ON SPRING MEMBER

IF ELECTRICAL CONTINUITY PROBE TOUCHES SPRING MEMBER USE PROBING AS SHOWN IN FIG. 2

REV	DESCRIPTION	DATE	BY
B1	ENTER DESCRIPTION	2009/08/18	DRWIN:KEERGUSON
		2009/08/19	CHKD:A.DHIR
		2009/08/20	APPR:B.MOSER

GENERAL TOLERANCES (UNLESS SPECIFIED)	
mm	INCH
4 PLACES ± 0.10	± 0.005
3 PLACES ± 0.005	± 0.0005
2 PLACES ± 0.10	± 0.005
1 PLACE ± 0.3	± 0.012
ANGULAR ± 3°	

DIMENSION STYLE	
MM ONLY	
DRAWN BY	DATE
L. PULLIAM	2005/06/21
CHECKED BY	DATE
A. DHIR	2005/06/21
APPROVED BY	DATE
B. MOSER	2005/06/22
MATERIAL NO.	
SEE TABLE	

SCALE	DESIGN UNITS	THIRD ANGLE PROJECTION
5:1	METRIC	
MX150 RECEPTACLE TERMINAL		
MOLEX INCORPORATED		
DOCUMENT NO.	SHEET NO.	
SD-33012-002	4 OF 5	

TABLE 2 - TERMINAL GRIP/CRIMP TOOL DIM. REFERENCE TABLE

J	SUPPLIER PART NO.		FORD PART NO.	PLATING (STAMPING)	WIRE APPLICATION		WIRE SPECIFICATION		A±0.30	B±0.30	C±0.30	D±0.30	E±0.005	F±0.005	G±0.005	J±0.005	K±0.005	M±0.005	N±0.005	P±0.005	R±0.005	U±0.005	V±0.005	
	SMALL POLARIZATION RIB	RIGHT PAYOFF			LEFT PAYOFF	SAE	METRIC																	
J	33012-2001	33012-3001	7C3T-1474-EA	TIN	14	2.0	MIL-123A JASO D 611 (AVSS)	3.9	4.4	1.7	1.6	12.82	0.6	1.19	7.05	13.12	1.35	6.91	2.44	6.11	2.72	1.40		
					14	-	MIL-135A1	3.9	4.4	1.7	1.6	12.82	0.6	1.19	7.05	12.96	1.28	6.51	2.44	6.11	2.52	1.30		
I	33012-2002	33012-3002	7C3T-1474-DA	TIN	16	1.5	MIL-123A/MIL-126A1	3.9	4.4	1.7	1.6	12.82	0.6	1.19	7.05	12.96	1.28	6.51	2.44	6.11	2.52	1.30		
					18	1.0	MIL-123A/MIL-126A1	3.3	3.1	1.3	1.4	12.46	0.57	0.99	6.52	12.65	1.13	6.46	2.14	1.93	2.23	1.15		
H	33012-2003	33012-3003	7C3T-1474-CA	TIN	20	0.75	SAE J1128 (IGXL)	3.3	3.1	1.3	1.4	12.46	0.57	0.99	6.52	12.96	1.28	6.51	2.14	1.93	2.52	1.30		
					20	0.75	MIL-123A/MIL-126A1	3.3	3.1	1.3	1.4	12.46	0.57	0.99	6.52	12.42	1.03	6.36	2.14	1.93	2.04	1.05		
G	33012-2003*	33012-3003*	7C3T-1474-CA*	TIN	22	0.5	MIL-123A/MIL-126A1 JASO D 611 (AVSS)	2.5	2.6	0.9	1.0	11.97	0.42	0.72	6.57	12.24	0.93	6.31	1.60	1.44	1.84	0.95		
					22	0.35	WSK-1A348-A2	2.5	2.6	0.9	1.0	11.97	0.42	0.72	6.57	12.24	0.93	6.31	1.60	1.44	1.84	0.95		
F	33001-2003	33001-3003	7C3T-1474-HA	GOLD	14	2.0	MIL-123A JASO D 611 (AVSS)	3.9	4.4	1.7	1.6	12.82	0.6	1.19	7.05	13.12	1.35	6.91	2.44	6.11	2.72	1.40		
					14	-	MIL-135A1	3.9	4.4	1.7	1.6	12.82	0.6	1.19	7.05	12.96	1.28	6.51	2.44	6.11	2.52	1.30		
E	33001-2004	33001-3004	7C3T-1474-GA	GOLD	16	1.5	MIL-123A/MIL-126A1	3.9	4.4	1.7	1.6	12.82	0.6	1.19	7.05	12.96	1.28	6.51	2.44	6.11	2.52	1.30		
					18	1.0	MIL-123A/MIL-126A1	3.3	3.1	1.3	1.4	12.46	0.57	0.99	6.52	12.65	1.13	6.46	2.14	1.93	2.23	1.15		
D	33001-2005	33001-3005	7C3T-1474-FA	GOLD	20	0.75	SAE J1128 (IGXL)	3.3	3.1	1.3	1.4	12.46	0.57	0.99	6.52	12.96	1.28	6.51	2.14	1.93	2.52	1.30		
					20	0.75	MIL-123A/MIL-126A1	3.3	3.1	1.3	1.4	12.46	0.57	0.99	6.52	12.42	1.03	6.36	2.14	1.93	2.04	1.05		
C	33001-2005*	33001-3005*	7C3T-1474-FA*	GOLD	22	0.5	MIL-123A/MIL-126A1 JASO D 611 (AVSS)	2.5	2.6	0.9	1.0	11.97	0.42	0.72	6.57	12.24	0.93	6.31	1.60	1.44	1.84	0.95		
					22	0.35	WSK-1A348-A2	2.5	2.6	0.9	1.0	11.97	0.42	0.72	6.57	12.24	0.93	6.31	1.60	1.44	1.84	0.95		
B	33001-4001	33001-5001	7U5T-1474-UA	SILVER	14	2.0	MIL-123A JASO D 611 (AVSS)	3.9	4.4	1.7	1.6	12.82	0.6	1.19	7.05	13.12	1.35	6.91	2.44	6.11	2.72	1.40		
					14	-	MIL-135A1	3.9	4.4	1.7	1.6	12.82	0.6	1.19	7.05	12.96	1.28	6.51	2.44	6.11	2.52	1.30		
A	33001-4002	33001-5002	7U5T-1474-TA	SILVER	16	1.5	MIL-123A/MIL-126A1	3.9	4.4	1.7	1.6	12.82	0.6	1.19	7.05	12.96	1.28	6.51	2.44	6.11	2.52	1.30		
					18	1.0	MIL-123A/MIL-126A1	3.3	3.1	1.3	1.4	12.46	0.57	0.99	6.52	12.65	1.13	6.46	2.14	1.93	2.23	1.15		
Z	33001-4003	33001-5003	7U5T-1474-SA	SILVER	20	0.75	SAE J1128 (IGXL)	3.3	3.1	1.3	1.4	12.46	0.57	0.99	6.52	12.96	1.28	6.51	2.14	1.93	2.52	1.30		
					20	0.75	MIL-123A/MIL-126A1	3.3	3.1	1.3	1.4	12.46	0.57	0.99	6.52	12.42	1.03	6.36	2.14	1.93	2.04	1.05		
Y	33001-4003*	33001-5003*	7U5T-1474-SA*	SILVER	22	0.5	MIL-123A/MIL-126A1 JASO D 611 (AVSS)	2.5	2.6	0.9	1.0	11.97	0.42	0.72	6.57	12.24	0.93	6.31	1.60	1.44	1.84	0.95		
					22	0.35	WSK-1A348-A2	2.5	2.6	0.9	1.0	11.97	0.42	0.72	6.57	12.24	0.93	6.31	1.60	1.44	1.84	0.95		

* 0.35mm² WIRE MUST NOT BE USED IN MX150 SEALED CONNECTOR SYSTEMS

ENTER DESCRIPTION EC NO: UAU2010-0107 DRANKFERGUSON 2009/08/18 CHKDA:DHIR 2009/08/19 APPR:BMOSER 2009/08/20 REV	QUALITY SYMBOLS	GENERAL TOLERANCES (UNLESS SPECIFIED) mm INCH 4 PLACES ± --- ± --- 3 PLACES ± 0.005 ± --- 2 PLACES ± 0.10 ± --- 1 PLACE ± 0.3 ± --- ANGULAR ± 3°	DIMENSION STYLE	SCALE	DESIGN UNITS	THIRD ANGLE PROJECTION
			MM ONLY	1:1	METRIC	
			DRAWN BY DATE	TITLE		
			L. PULLIAM 2005/06/21	MX150 RECEPTACLE TERMINAL		
	CHECKED BY DATE	APPROVED BY DATE				
	A. DHIR 2005/06/21	B. MOSER 2005/06/22				
	MATERIAL NO.	DOCUMENT NO.				
	SEE TABLE	SD-33012-002				
	SIZE	THIS DRAWING CONTAINS INFORMATION THAT IS PROPRIETARY TO MOLEX INCORPORATED AND SHOULD NOT BE USED WITHOUT WRITTEN PERMISSION				