

3.3-3.6 GHz InGaP HBT 8W Linear Power Amplifier

Features

- ✕ P1dB, 8W
- ✕ Power Gain, 11 dB
- ✕ Efficiency, 20% @ 1W
- ✕ Positive Voltage Supply, +5V to +12V
- ✕ Integrated Active Bias Circuit
- ✕ Control Voltage Allows Different Current Settings
- ✕ Input Fully Matched Internally
- ✕ Output Pre-Matched Internally
- ✕ Thermally Efficient for Higher MTTF
- ✕ RoHS Compliant 6X6mm QFN
- ✕ Ideal for WiMAX Applications (802.16)



General Description

The CHV2721-QJ is a high linearity single stage class AB Heterojunction Bipolar Transistor (HBT) power amplifier capable of 11 dB of gain, 8 Watt of power at 1 dB compression and is housed in a 6X6mm QFN package. The CHV2721-QJ provides less than 2.5% EVM at 31dBm output power with 802.16 OFDM signal and peak to average power ratio of 9 dB. The input of the device is fully matched and the output is internally pre matched to 6 ohm facilitating a simplified output matching approach. This product operates off a single supply voltage between 5V and 12V and includes an internal bias circuitry to enable exact setting of quiescent current using an external control voltage. The device is ideal as a final or driver stage for WiMAX equipment in the 3.3 -3.6 GHz bands.

Absolute Maximum Ratings

| | |
|--|------------------------|
| Voltage Supply (Vcc) | 4.5 (min) / 12 V (max) |
| Current (Icc) | 2000 mA |
| Dissipated Power (P _{diss}) | 18W |
| Input Power (P _{in}) | 22 dBm |
| Storage Temperature (T _{stg}) | -60 to +150 °C |
| Channel Temperature (T _{ch}) | 175 °C |
| Thermal Resistance (R _{th}) | 5 °C/W |
| Operating Backside Temperature (T _b) | -40 °C to (see note 1) |

Operation outside any of these limits can cause permanent damage.
(1) Calculate maximum operating temperature T_{max} using the following formula: T_{max}=175-(P_{diss} [W] x 5) [C].

Electrical Characteristics (Ambient Temperature T=25 °C, Vcc=12V)¹

| Description | Parameter | Units | Min. | Typ. | Max. |
|---|-------------------|-------|------|------|------|
| Operating Frequency | f | GHz | 3.3 | 3.4 | 3.6 |
| Quiescent Current ⁽²⁾ | I _{cc} | mA | - | 160 | - |
| Power Gain @ P _{out} = 31 dBm | G _{ps} | dB | - | 11 | - |
| Efficiency @ 31 dBm | Eff | % | - | 25 | - |
| Output Power @ EVM = 2.5% ⁽³⁾ | P _{out} | dBm | - | 31 | - |
| Adjacent Channel Power Ratio @ P _{out} = 31 dBm ⁽⁴⁾ | ACPR | dBc | - | -40 | - |
| Power @ 1dB Compression Point | P1dB | dBm | - | 39 | - |
| Output Third order intercept Point @ 31 dBm/tone ⁽⁵⁾ | OIP3 | dBm | - | 51 | - |
| Input Reflection Coefficient | S11 | dB | - | -12 | - |
| Control Voltage | V _{ctrl} | V | - | 5 | - |
| Noise Figure | NF | dB | - | 9 | - |

(1) Data measured in a Mimix matched connectorized fixture.

(2) Quiescent current depends on Vcc

(3) Using an 802.16d OFDM signal format with PAR = 9dB

(4) Using 3 GPP WCDMA signal, PAR = 9.17dB

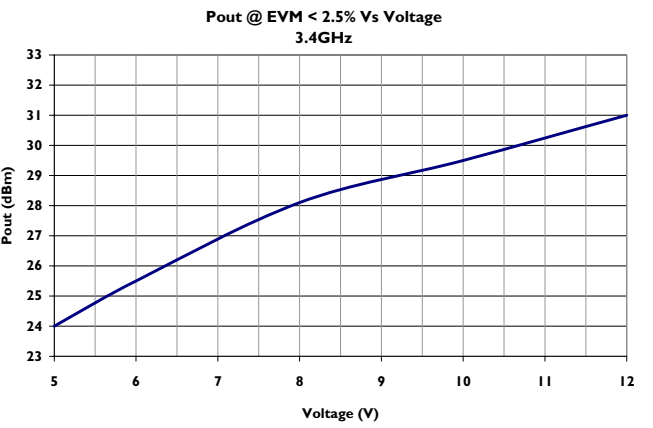
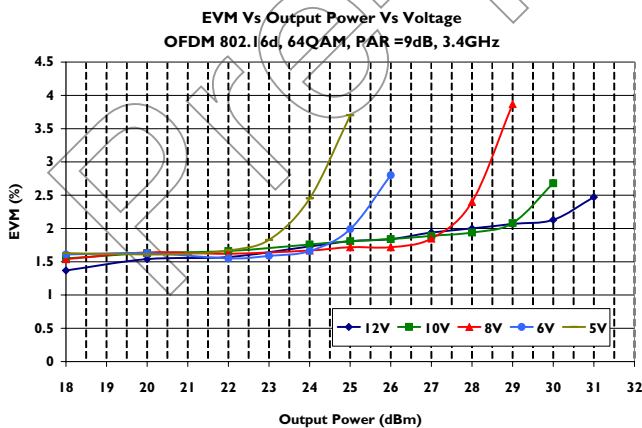
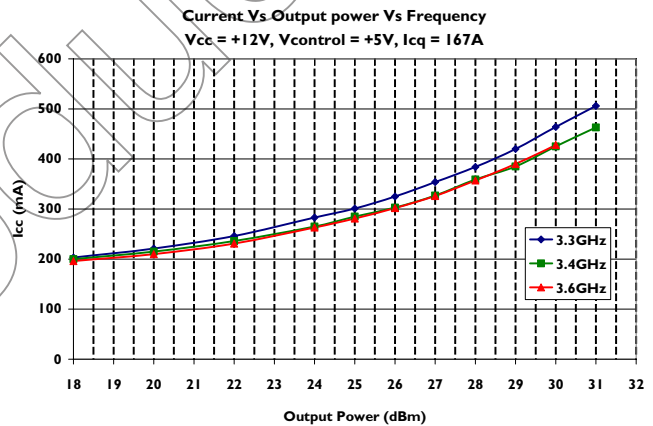
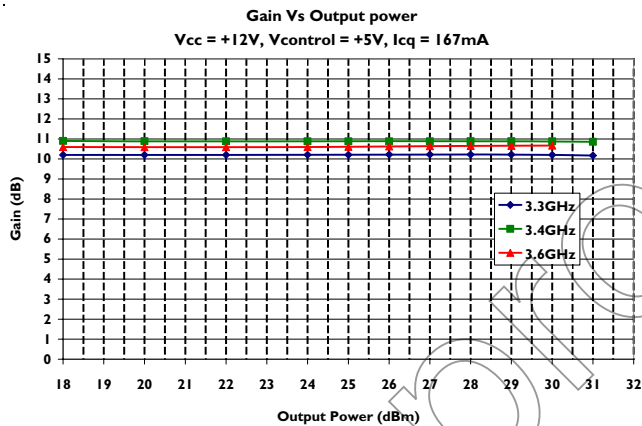
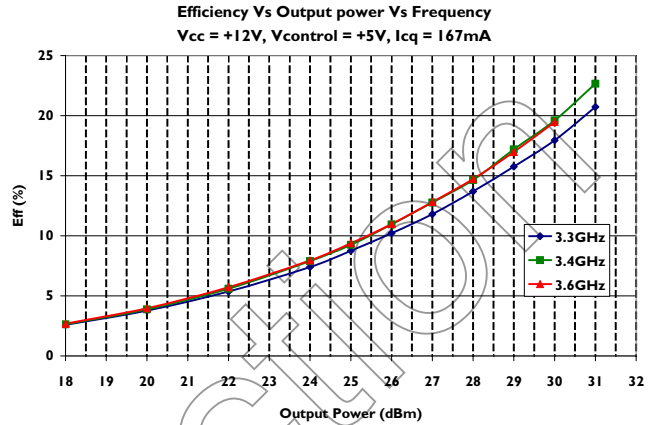
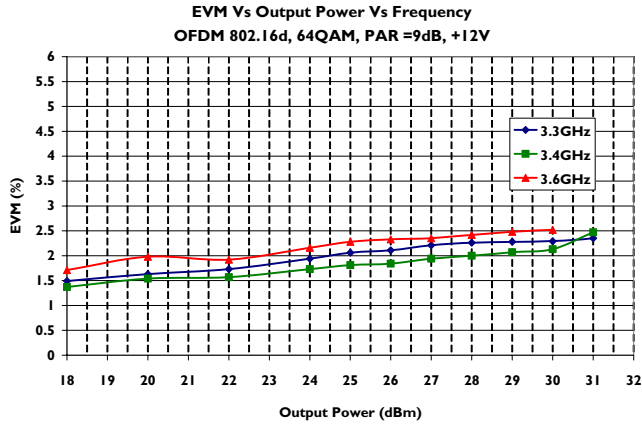
(5) 100KHz spacing

3.3-3.6 GHz InGaP HBT 8W Linear Power Amplifier

February 2008 - Rev 29-Feb-08

CHV2721-Q
RoHS

Typical Performance

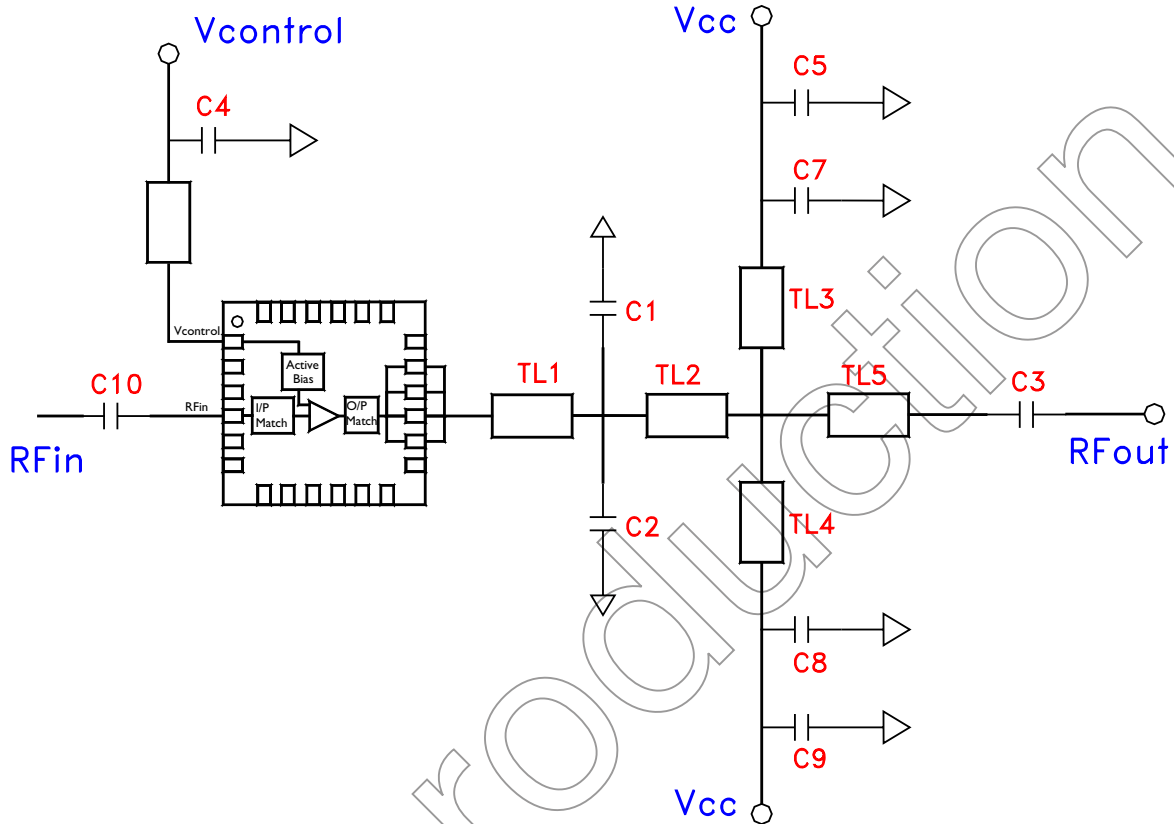


3.3-3.6 GHz InGaP HBT 8W Linear Power Amplifier

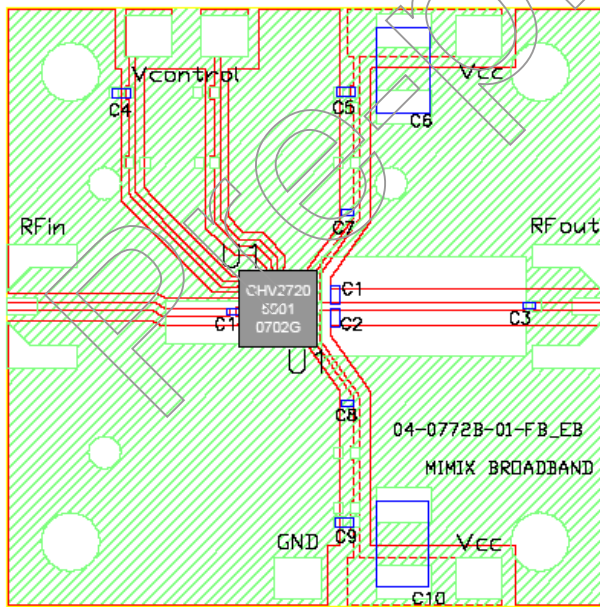
February 2008 - Rev 29-Feb-08

CHV2721-QJ
RoHS

Recommended Schematic



Evaluation Board Layout



| Part Identifier | Mfg | Mfg Part | QTY | Reference |
|---------------------------|--------|--------------------|-----|-----------|
| 1.2 pF 0603 Capacitor | Murata | ERB1885C2D1R6BDX1 | 2 | C1,C2 |
| 4.3 pF 0603 Capacitor | Murata | ERB1885C2D1R5BDX1 | 1 | C3 |
| 10 uF 0603 Capacitor | Murata | ERB1885C2D6R8BDX1 | 1 | C4,C5,C9 |
| 10 pF 0603 Capacitor | Murata | GRM188R71E103KA01D | 2 | C7,C8 |
| 100 uF Tantalum Capacitor | AVX | TAJD107K016R | 3 | C6,C10 |
| 20 pF 0603 Capacitor | | | 1 | C11 |

Turn on sequence:

Turn on power supply Vcc = +12V
Turn on power supply Vcontrol = +5V
Turn on RF

Turn off sequence:

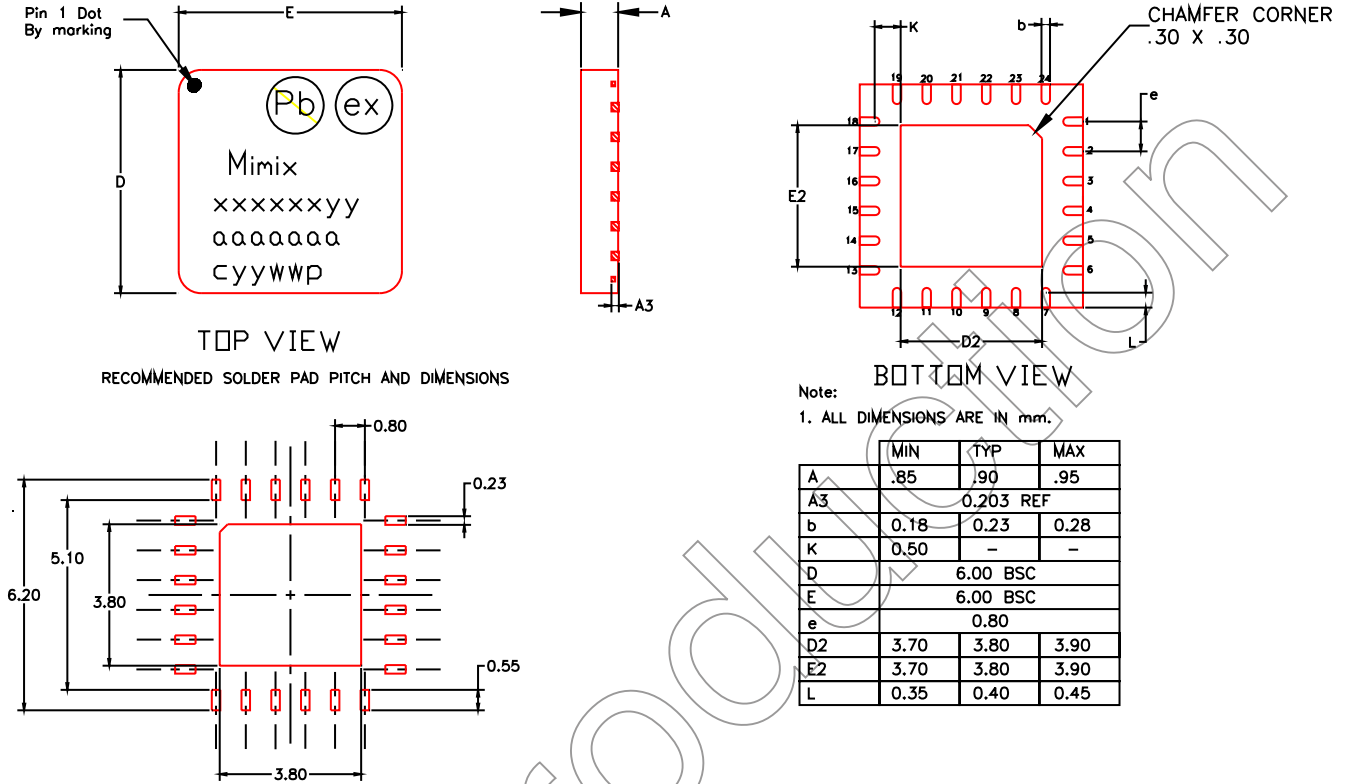
Turn off RF power
Turn off power supply Vcontrol = +5V
Turn off power supply Vcc = +12V

3.3-3.6 GHz InGaP HBT 8W Linear Power Amplifier

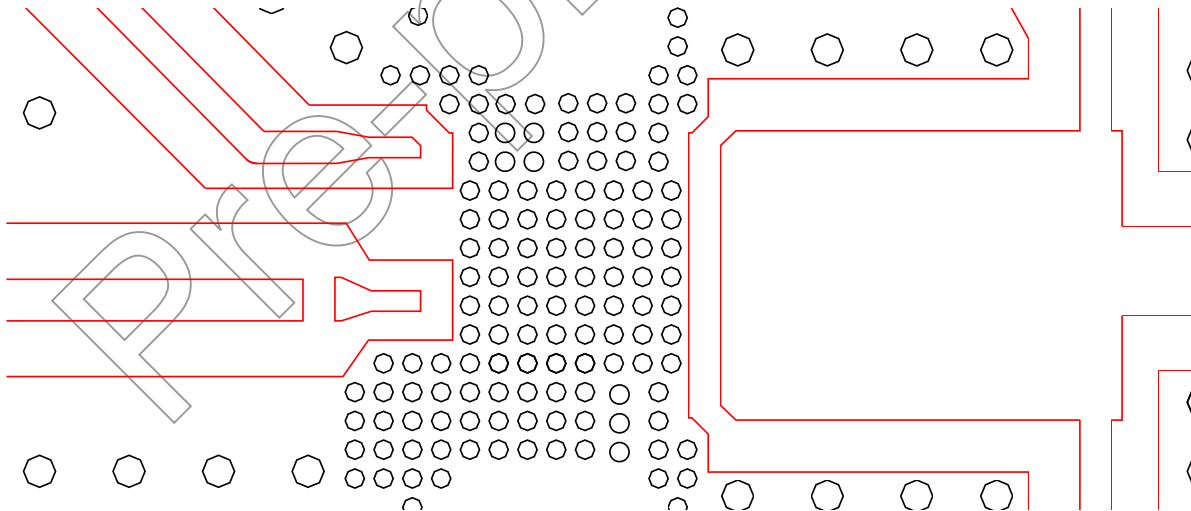
February 2008 - Rev 29-Feb-08

CHV2721-QJ
RoHS

Physical Dimensions:



Recommended Board Layout



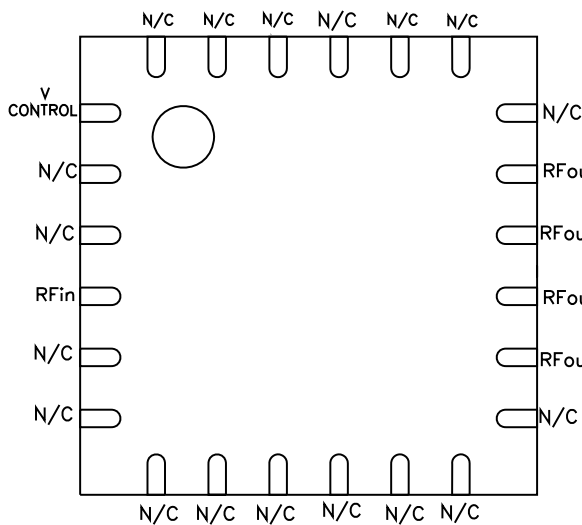
It is recommended that all N/C pins be grounded and sufficient number of via holes to be present under the ground plane to insure good RF and thermal grounding.

3.3-3.6 GHz InGaP HBT 8W Linear Power Amplifier

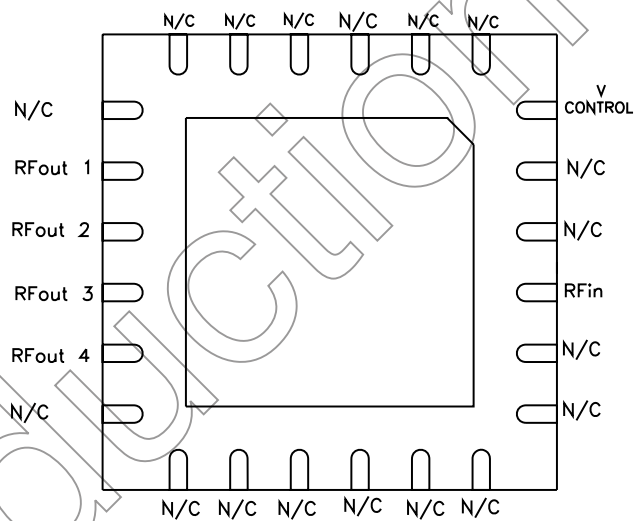
February 2008 - Rev 29-Feb-08

App Note [1] Biasing - The CHV2720-QJ requires power supply sequencing. Vcc should be applied first and then Vcontrol. Quiescent current (Icq) can be varied by adjusting Vcontrol in order to obtain the optimum performance desired. RF power is applied after both Vcc and Vcontrol are present. When turning off the device Vcontrol is switched off first and then Vcc. Vcontrol can be used to turn off the current.

Pin Assignment:

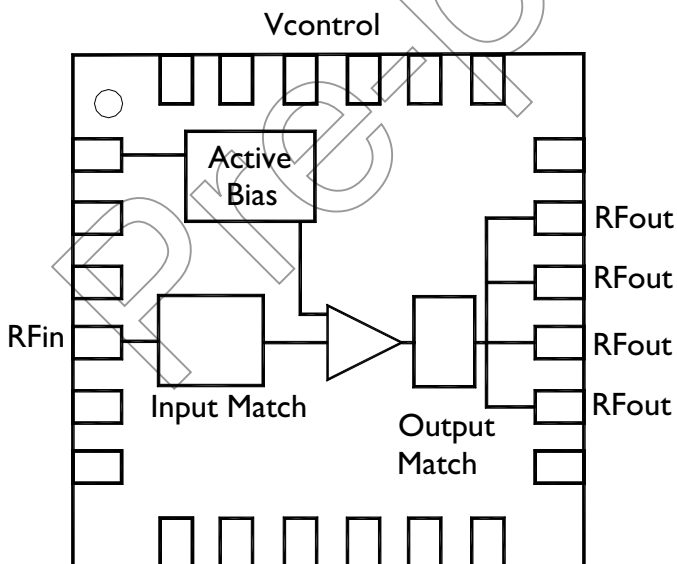


TOP VIEW



BOTTOM VIEW

Functional Block Diagram:



| Pin # | Description |
|---|-------------|
| 1 | Vcontrol |
| 4 | RF IN |
| 14 | RF OUT 4 |
| 15 | RF OUT 3 |
| 16 | RF OUT 2 |
| 17 | RF OUT 1 |
| 2, 3, 5, 6, 7, 8, 9, 10, 11, 12 13, 18, 19, 20, 21, 22, 23, 24 | N/C |

3.3-3.6 GHz InGaP HBT 8W Linear Power Amplifier

Handling and Assembly Information

CAUTION! - Mimix Broadband MMIC Products contain gallium arsenide (GaAs) which can be hazardous to the human body and the environment. For safety, observe the following procedures:

- Do not ingest.
- Do not alter the form of this product into a gas, powder, or liquid through burning, crushing, or chemical processing as these by-products are dangerous to the human body if inhaled, ingested, or swallowed.
- Observe government laws and company regulations when discarding this product. This product must be discarded in accordance with methods specified by applicable hazardous waste procedures.

Life Support Policy - Mimix Broadband's products are not authorized for use as critical components in life support devices or systems without the express written approval of the President and General Counsel of Mimix Broadband. As used herein: (1) Life support devices or systems are devices or systems which, (a) are intended for surgical implant into the body, or (b) support or sustain life, and whose failure to perform when properly used in accordance with instructions for use provided in the labeling, can be reasonably expected to result in a significant injury to the user. (2) A critical component is any component of a life support device or system whose failure to perform can be reasonably expected to cause the failure of the life support device or system, or to affect its safety or effectiveness.

Package Attachment - This packaged product from Mimix Broadband is provided as a rugged surface mount package compatible with high volume solder installation. Vacuum tools or other suitable pick and place equipment may be used to pick and place this part. Care should be taken to ensure that there are no voids or gaps in the solder connection so that good RF, DC and ground connections are maintained. Voids or gaps can eventually lead not only to RF performance degradation, but reduced reliability and life of the product due to thermal stress.

Typical Reflow Profiles

| Reflow Profile | SnPb | Pb Free |
|---------------------------------|-------------------------|-------------------------|
| Ramp Up Rate | 3-4 °C/sec | 3-4 °C/sec |
| Activation Time and Temperature | 60-120 sec @ 140-160 °C | 60-180 sec @ 170-200 °C |
| Time Above Melting Point | 60-150 sec | 60-150 sec |
| Max Peak Temperature | 240 °C | 265 °C |
| Time Within 5 °C of Peak | 10-20 sec | 10-20 sec |
| Ramp Down Rate | 4-6 °C/sec | 4-6 °C/sec |

Factory Automation and Identification

| Mimix Designator | Package Type | Number of leads offered | W Tape Width | P ₁ Component Pitch | P ₀ Hole Pitch | Reel Diameter | Units per Reel |
|------------------|--------------|-------------------------|--------------|--------------------------------|---------------------------|---------------|----------------|
| -QJ | QFN (6x6mm) | 24 | 16mm | 12mm | 4mm | 329mm (13in) | 1000 |

Component Orientation: Parts are to be oriented with the PIN 1 closest to the tape's round sprocket holes on the tape's trailing edge.

Note: Tape and Reel packaging is ordered with a -000T suffix. Package is available in 500 unit reels through designated sales channels. Minimum order quantities should be discussed with your local sales representative.

Mimix Lead-Free RoHS Compliant Program - Mimix has an active program in place to meet customer and governmental requirements for eliminating lead (Pb) and other environmentally hazardous materials from our products. All Mimix RoHS compliant components are form, fit and functional replacements for their non-RoHS equivalents. Lead plating of our RoHS compliant parts is 100% matte tin (Sn) over copper alloy and is backwards compatible with current standard SnPb low-temperature reflow processes as well as higher temperature (260°C reflow) "Pb Free" processes.

Ordering Information

| Part Number for Ordering | Description |
|--------------------------|---|
| CHV2721-QJ-0G00 | Matte Tin plated RoHS compliant 6X6 QFN surface mount package in bulk tested for WiMAX 2.5 GHz |
| CHV2721-QJ-0G0T | Matte Tin Plated RoHS compliant 6X6 QFN surface mount package in tape and reel tested for WiMAX 2.5 GHz |
| PB-CHV2721-QJ-00A0 | Evaluation Board with SMA connectors for WiMAX 2.5 GHz |

We also offer the plastic package with SnPb (Tin-Lead) or NiPdAu plating. Please contact your regional sales manager for more information regarding different plating types.



Proper ESD procedures should be followed when handling this device.