

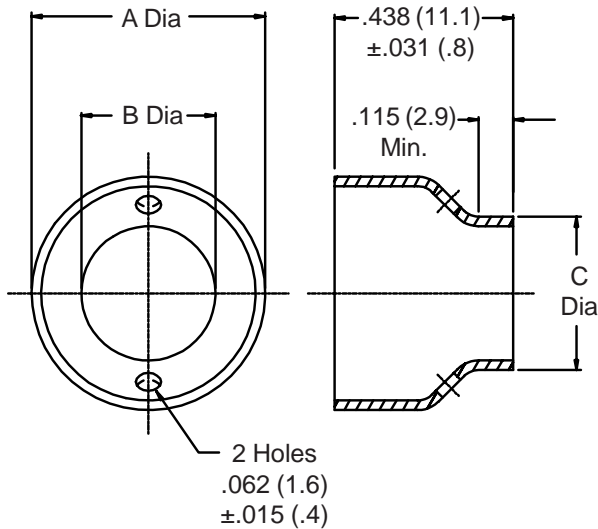
AS85049/32-2 Adapter Reducer



Miscellaneous
Accessories

MIL-DTL-38999
Series I & II

M85049/32-2-8
Basic Part No. _____ Dash No. _____



1. For complete dimensions see applicable Military Specification.
2. Metric dimensions (mm) are indicated in parentheses.
3. Material: Copper alloy. Finish: Tin-lead solder plate.
4. Adapter reducer for use with M85049/32-1 and M85049/33-1.

TABLE I

Dash No.	Fits Adapter Shell Size	A Dia Ref	B Dia Min	C Max
81	8	.291 (7.4)	.163 (4.1)	.219 (5.6)
82	8	.291 (7.4)	.171 (4.3)	.234 (5.9)
83	8	.291 (7.4)	.187 (4.7)	.250 (6.4)
101	10	.346 (8.8)	.216 (5.5)	.266 (6.8)
121	12	.441 (11.2)	.197 (5.0)	.250 (6.4)
122	12	.441 (11.2)	.216 (5.5)	.266 (6.8)
123	12	.441 (11.2)	.279 (7.1)	.328 (8.3)
141	14	.506 (12.9)	.216 (5.5)	.266 (6.8)
142	14	.506 (12.9)	.289 (7.3)	.344 (8.7)
143	14	.506 (12.9)	.311 (7.9)	.359 (9.1)
144	14	.506 (12.9)	.342 (8.7)	.391 (9.9)
145	14	.506 (12.9)	.359 (9.1)	.406 (10.3)
146	14	.571 (14.5)	.386 (9.8)	.438 (11.1)
161	16	.571 (14.5)	.216 (5.5)	.266 (6.8)
162	16	.571 (14.5)	.289 (7.3)	.344 (8.7)
163	16	.571 (14.5)	.342 (8.7)	.391 (9.9)
164	16	.571 (14.5)	.405 (10.3)	.453 (11.5)
165	16	.571 (14.5)	.327 (8.3)	.375 (9.5)
181	18	.616 (15.6)	.216 (5.5)	.266 (6.8)
182	18	.616 (15.6)	.289 (7.3)	.344 (8.7)
183	18	.616 (15.6)	.342 (8.7)	.391 (9.9)
184	18	.616 (15.6)	.380 (9.7)	.430 (10.9)
185	18	.616 (15.6)	.450 (11.4)	.500 (12.7)
201	20	.664 (16.9)	.327 (8.3)	.375 (9.5)
202	20	.664 (16.9)	.390 (9.9)	.453 (11.5)
203	20	.664 (16.9)	.444 (11.3)	.500 (12.7)
204	20	.664 (16.9)	.405 (10.3)	.469 (11.9)
205	20	.664 (16.9)	.483 (12.3)	.531 (13.5)
206	20	.664 (16.9)	.499 (12.7)	.547 (13.9)
221	22	.738 (18.7)	.358 (9.1)	.406 (10.3)
222	22	.738 (18.7)	.437 (11.1)	.484 (12.3)
223	22	.738 (18.7)	.452 (11.5)	.500 (12.7)
224	22	.738 (18.7)	.468 (11.9)	.516 (13.1)
225	22	.738 (18.7)	.561 (14.2)	.609 (15.5)
241	24	.796 (20.2)	.593 (15.1)	.641 (16.3)