

PLEASE CHECK WWW.MOLEX.COM FOR LATEST PART INFORMATION

Part Number: **0505197125**
Status: **Active**
Description: Ring Tongue Terminal for 16-22 AWG, Closed Uninsulated Brazed Barrel, Stud Size 5 (M3), Oxygen-Free Copper, Length 13.80mm (.543")

Documents:

[Drawing \(PDF\)](#) [RoHS Certificate of Compliance \(PDF\)](#)
[Product Specification PS-50519-002 \(PDF\)](#)

Agency Certification

CSA LR95446
 UL E134962

General

Product Family Ring and Spade Terminals
 Series [50519](#)
 Crimp Quality Equipment Yes
 Mil-Spec N/A
 Product Name R (Ring)
 Type Ring

Physical

Barrel Type Closed - Brazed
 Insulation None
 Material - Plating Mating Tin
 Packaging Type Bag
 Plating min: Mating (µin) 40
 Plating min: Mating (µm) 1
 Plating min: Termination (µin) 40
 Plating min: Termination (µm) 1
 Stud Size 5 (M3)
 Termination Interface: Style Crimp or Compression
 Wire Size AWG 16, 18, 20, 22
 Wire Size mm² 0.25 - 1.65

Material Info

Reference - Drawing Numbers

Product Specification PS-50519-002
 Sales Drawing SD-50519-001



Series

image - Reference only

EU RoHS

ELV and RoHS Compliant
REACH SVHC
 Not Reviewed
Halogen-Free Status
Not Reviewed

China RoHS



Need more information on product environmental compliance?

Email productcompliance@molex.com
 For a multiple part number RoHS Certificate of Compliance, [click here](#)

Please visit the [Contact Us](#) section for any non-product compliance questions.

Search Parts in this Series

[50519Series](#)

Application Tooling | [FAQ](#)

Tooling specifications and manuals are found by selecting the products below. Crimp Height Specifications are then contained in the Application Tooling Specification document.

Japan

Description	Product #
Hand Crimper For JIS Terminal	0572575000
Hand Crimper For JIS Terminal	0573435002
Air Type Hand Crimper For JIS Terminal	0573439005

10 9 8 7 6 5 4 3 2 1

F

E

D

C

B

A

F

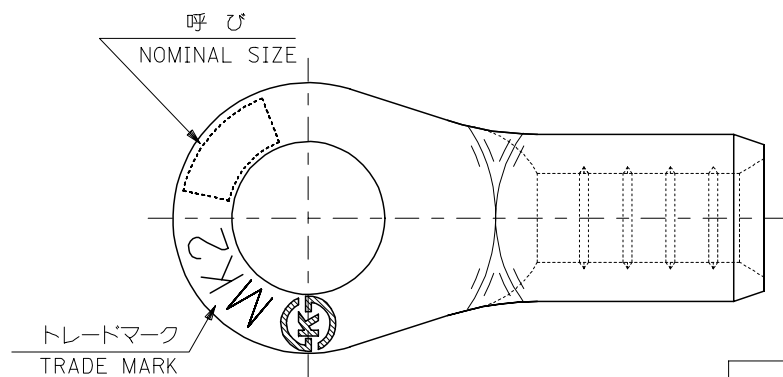
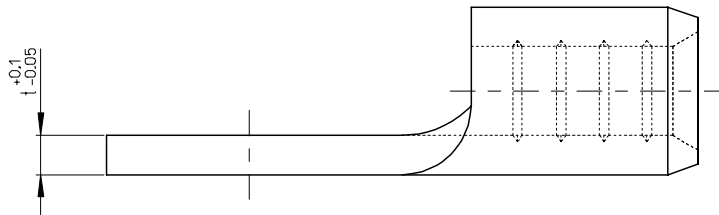
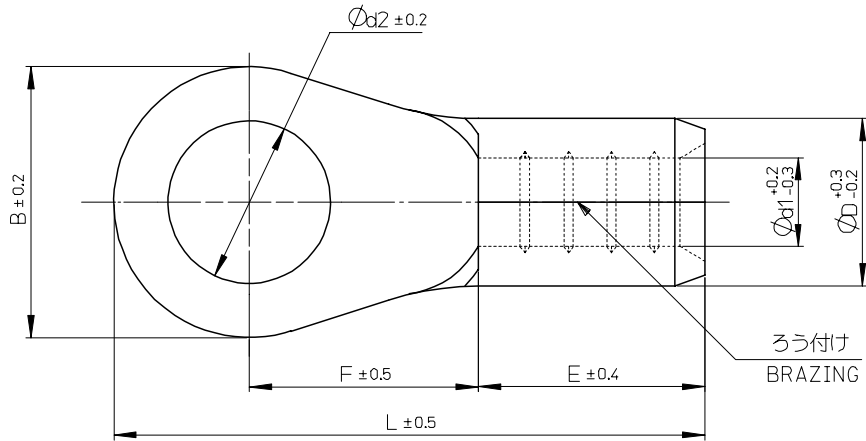
E

D

C

B

A



注記 NOTES

- 1 材質 MATERIAL
 端子: 無酸素銅、スズメッキ
 TERMINAL: OXYGEN FREE COPPER, TIN PLATING
 ろう付け部: リン銅ろう
 PART OF BRAZING: COPPER PHOSPHORUS BRAZING FILLER METALS
- 2 適用電線 APPLICABLE WIRE RANGE

単線 SOLID WIRE	撚線 STRANDED WIRE
0.57-1.44mm	0.25-1.65 mm ²

0.8	10.5	21.8	10.5	4.5	1.7	3.4	13.6	1.25	10	50519-7825	
	8.4	20.2	10				11.5		8	-7725	
	6.4						6		-7625		
	4.3	14.4	6.6				6.6		S4	-7525	
	3.7	13.8					4.8		5.5	M3.5	-7425
	3.2	14.4	6.6				6.6		5.5	S3.5	-7325
		13.8								4.8	V3
	2.5	12	4.8				5.5		M3	-7125	
t	Ød2	L	F	E	Ød1	ØD	B	呼び NOMINAL SIZE	MATERIAL NO.		

REVISED EC NO: J2007-1282 2006/12/19 DRW: NIKI ITO 2007/03/07 CHK: K. KASAHARA 2007/03/07 APPR: NUKITA 2007/03/08	GENERAL TOLERANCES (UNLESS SPECIFIED)		DIMENSION STYLE MM ONLY		SCALE ---	DESIGN UNITS METRIC	THIRD ANGLE PROJECTION		
	10 UNDER	± ---	DRAWN BY H. IJIMA		DATE 1998/02/23	TITLE RING TERMINAL			
	10 OVER 30 UNDER	± ---	CHECKED BY M. FUKUSHIMA		DATE 1998/02/23	MATERIAL NO.			
	30 OVER	± ---	APPROVED BY M. FUKUSHIMA		DATE 1998/02/23	DOCUMENT NO. SD-50519-001			
	ANGULAR	±1 °	DRAFT WHERE APPLICABLE MUST REMAIN WITHIN DIMENSIONS		SEE CHART		SHEET NO. 1 OF 1		