

PLEASE CHECK WWW.MOLEX.COM FOR LATEST PART INFORMATION

Part Number: [0441500032](#)
Status: **Active**
Overview: [modular_plugs_jacks](#)
Description: Modular Jack, Right Angle, Low Profile, 8/8, 8 Ports

Documents:

[3D Model](#) [Product Specification PS-44050-003 \(PDF\)](#)
[Drawing \(PDF\)](#) [RoHS Certificate of Compliance \(PDF\)](#)

Agency Certification

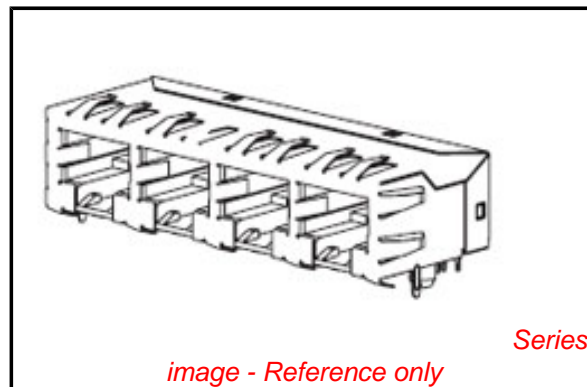
CSA LR19980
 UL E107635

General

Product Family Modular Jacks/Plugs
 Series [44150](#)
 Component Type PCB Jack
 Magnetic No
 Overview [modular_plugs_jacks](#)
 Performance Category 5e
 Power over Ethernet (PoE) N/A
 Product Name RJ45

Physical

Boot Color N/A
 Color - Resin Black
 Durability (mating cycles max) 500
 Flammability 94V-0
 Inverted / Top Latch No
 Keying to Mating Part None
 Lightpipes/LEDs None
 Material - Metal Brass, Phosphor Bronze
 Material - Plating Mating Gold
 Material - Plating Termination Tin
 Material - Resin Nylon
 Orientation Right Angle (Side Entry)
 PCB Locator Yes
 PCB Retention Yes
 PCB Thickness Recommended (in) 0.062 In
 PCB Thickness Recommended (mm) 1.57 mm
 Packaging Type Tray
 Panel Mount Without Flange
 Pitch - Mating Interface (in) 0.040 In
 Pitch - Mating Interface (mm) 1.02 mm
 Pitch - Term. Interface (in) 0.050 In
 Pitch - Term. Interface (mm) 1.27 mm
 Plating min: Mating (µin) 50
 Plating min: Mating (µm) 1.25
 Plating min: Termination (µin) 100
 Plating min: Termination (µm) 2.5
 Ports 8
 Positions / Loaded Contacts 8/8
 Surface Mount Compatible (SMC) No
 Temperature Range - Operating -40°C to +85°C
 Termination Interface: Style Through Hole
 Waterproof / Dustproof No



EU RoHS

**ELV and RoHS
 Compliant**
REACH SVHC
 Not Reviewed
**Halogen-Free
 Status**
Not Reviewed

China RoHS



**Need more information on product
 environmental compliance?**

Email productcompliance@molex.com
 For a multiple part number RoHS Certificate of
 Compliance, [click here](#)

Please visit the [Contact Us](#) section for any
 non-product compliance questions.

Search Parts in this Series

[44150Series](#)

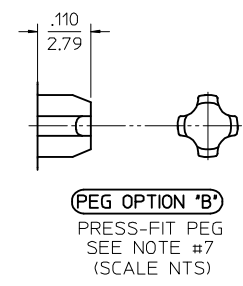
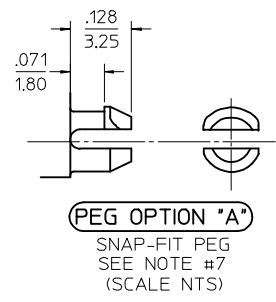
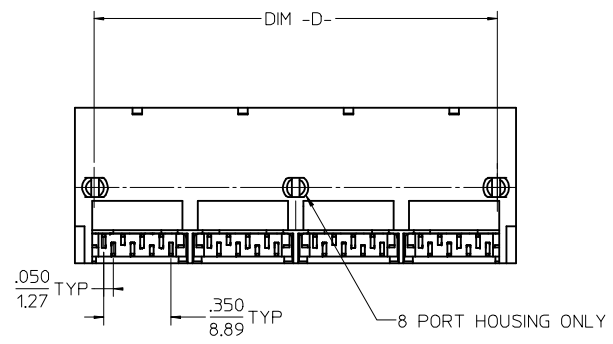
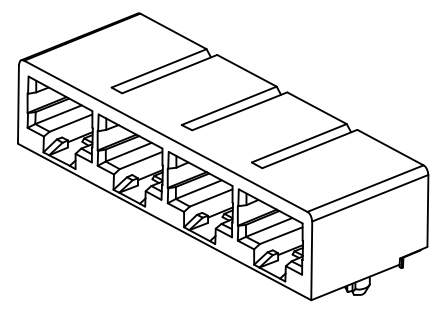
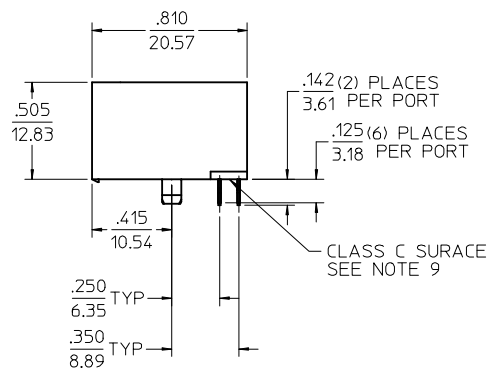
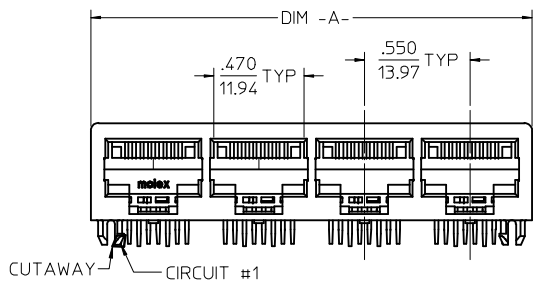
Mates With

FCC 68 Plugs

Wire/Cable Type	N/A
Electrical	
Current - Maximum per Contact	1.5A
Grounding to PCB	Yes
Grounding to Panel	With All Panel Grounding Tabs
Shielded	Yes
Voltage - Maximum	150V AC (RMS)
Solder Process Data	
Lead-free Process Capability	Wave Capable (TH only)
Material Info	
Reference - Drawing Numbers	
Packaging Specification	PK-44150-004
Product Specification	PS-44050-003
Sales Drawing	SD-44150-002
Test Summary	TS-44050-001

This document was generated on 06/07/2010

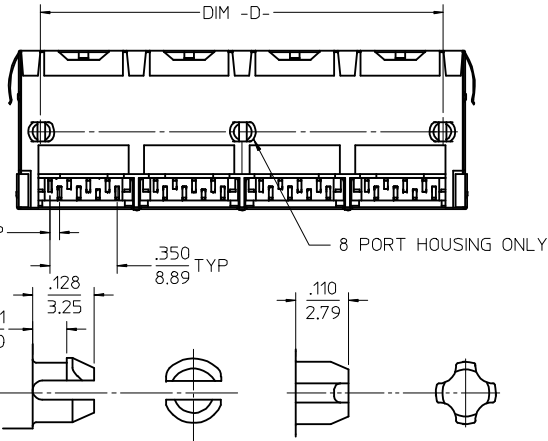
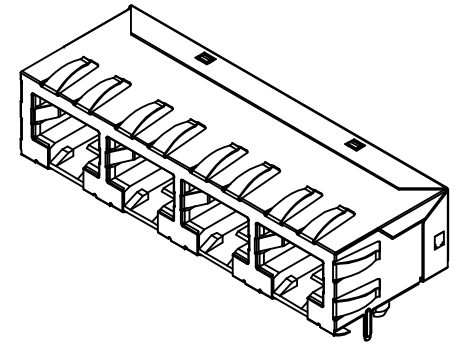
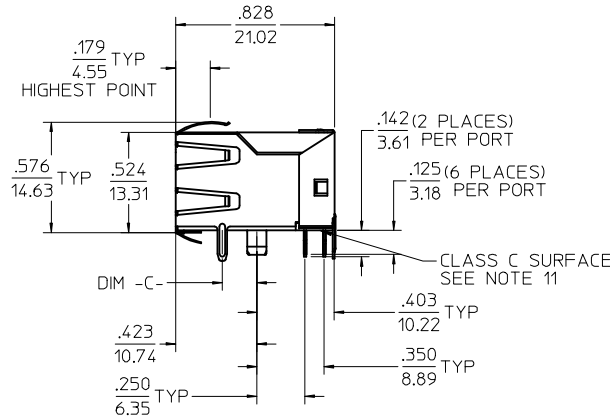
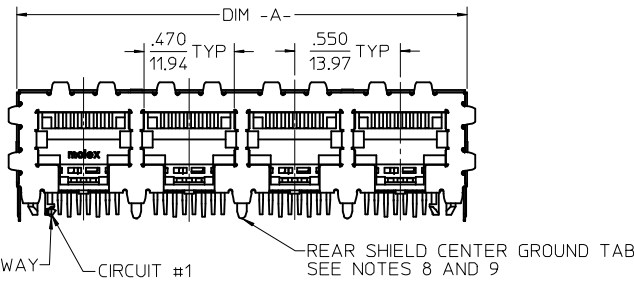
PLEASE CHECK WWW.MOLEX.COM FOR LATEST PART INFORMATION



- NOTES:
- 1) MATERIAL:
HOUSING: NYLON(PA), GLASS FILLED, UL94V-0, COLOR: BLACK
TERMINALS: PHOSPHOR BRONZE
 - 2) FINISH:
TERMINALS:
SELECT GOLD IN CONTACT AREA: 50 MICROINCHES / 1.27 MICROMETERS MIN.,
*SELECT TIN IN PC TAIL AREA: 100 MICROINCHES / 2.54 MICROMETERS MIN.,
WITH OVERALL NICKEL UNDERPLATE: 50 MICROINCHES / 1.27 MICROMETERS MIN.
*THE PRIMARY SHIPPING CARTON WILL BE LABELED "COMPLIANT TO RoHS DIRECTIVE 2002/95/EC AND ELV ANNEX II OF DIRECTIVE 2000/53/EC".
CARTONS WITHOUT THIS LABEL MAY CONTAIN PRODUCT WITH TIN-LEAD IN THE PC TAILS.
 - 3) PRODUCT SPECIFICATION AND PROCESSING PARAMETERS: PS-44050-003.
 - 4) PACKAGING SPECIFICATION:
UNSHIELDED CONNECTOR ASSEMBLIES IN THERMOFORMED TRAYS PER MOLEX PACKAGING SPECIFICATION PK-44150-005.
 - 5) MATES WITH: MODULAR PLUGS THAT CONFORM TO FCC REGULATION PART 68.5.
 - 6) PC BOARD LAYOUTS AND PANEL CUT-OUT SHOWN ON PAGE (3) OF (3).
 - 7) CONNECTOR AVAILABLE WITH EITHER PEG OPTION "A" (SNAP-FIT) OR PEG OPTION "B" (PRESS-FIT). THIS DRAWING SHOWS PEG OPTION "A".
 - 8) TERMINAL LENGTHS MAY BE DIFFERENT FROM TERMINAL TO TERMINAL.
 - 9) THIS PART CONFORMS TO CLASS B REQUIREMENTS OF COSMETIC SPECIFICATION PS-45499-002 WITH THE EXCEPTION OF THE SURFACE INDICATED WHICH IS A CLASS C SURFACE.

ASSEMBLY MATERIAL NUMBER	NUMBER OF PORTS	PEG OPTION	CENTER PEG	DIM -A-	DIM -D-
441500001	2	A	NO	1.200/30.48	1.000/25.40
441500017	2	B	NO	1.200/30.48	1.000/25.40
441500002	4	A	NO	2.300/58.42	2.100/53.34
441500018	4	B	NO	2.300/58.42	2.100/53.34
441500003	6	A	NO	3.400/86.36	3.200/81.28
441500019	6	B	NO	3.400/86.36	3.200/81.28
441500004	8	A	YES	4.500/114.30	4.300/109.22
441500020	8	B	YES	4.500/114.30	4.300/109.22

ADD NOTE 9 EC NO: UCP2009-0477 DRWN:JBELL 2008/09/05 CHKD:JBELL 2008/09/11 APPR:FSMTH 2008/09/11	DESCRIPTION QUALITY SYMBOLS ▽=0 ▽=0	GENERAL TOLERANCES (UNLESS SPECIFIED)		DIMENSION STYLE IN/MM		SCALE 2:1	DESIGN UNITS INCH	THIRD ANGLE PROJECTION																
		<table border="1"> <thead> <tr> <th></th> <th>mm</th> <th>INCH</th> </tr> </thead> <tbody> <tr> <td>4 PLACES</td> <td>± .010</td> <td>± .0004</td> </tr> <tr> <td>3 PLACES</td> <td>± .010</td> <td>± .0004</td> </tr> <tr> <td>2 PLACES</td> <td>± 0.25</td> <td>± .010</td> </tr> <tr> <td>1 PLACE</td> <td>± .010</td> <td>± .0004</td> </tr> </tbody> </table>			mm	INCH	4 PLACES	± .010	± .0004	3 PLACES	± .010	± .0004	2 PLACES	± 0.25	± .010	1 PLACE	± .010	± .0004	DRAWN BY MARANTO		DATE 98/01/21	TITLE CATEGORY 5E MODULAR JACK ASSEMBLIES, GANGED MOLEX MOLEX INCORPORATED DOCUMENT NO. SD-44150-002 SHEET NO. 1 OF 3		
			mm	INCH																				
		4 PLACES	± .010	± .0004																				
3 PLACES	± .010	± .0004																						
2 PLACES	± 0.25	± .010																						
1 PLACE	± .010	± .0004																						
ANGULAR ±1/2°		CHECKED BY ROBERTS		DATE 98/01/21																				
DRAFT WHERE APPLICABLE MUST REMAIN WITHIN DIMENSIONS		APPROVED BY ROBERTS		DATE 98/01/21																				
SIZE C		MATERIAL NO. SEE CHART																						



PEG OPTION 'A'

SNAP-FIT PEG
SEE NOTE #8
(SCALE NTS)

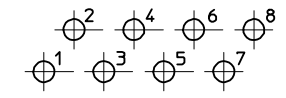
PEG OPTION 'B'

PRESS-FIT PEG
SEE NOTE #8
(SCALE NTS)

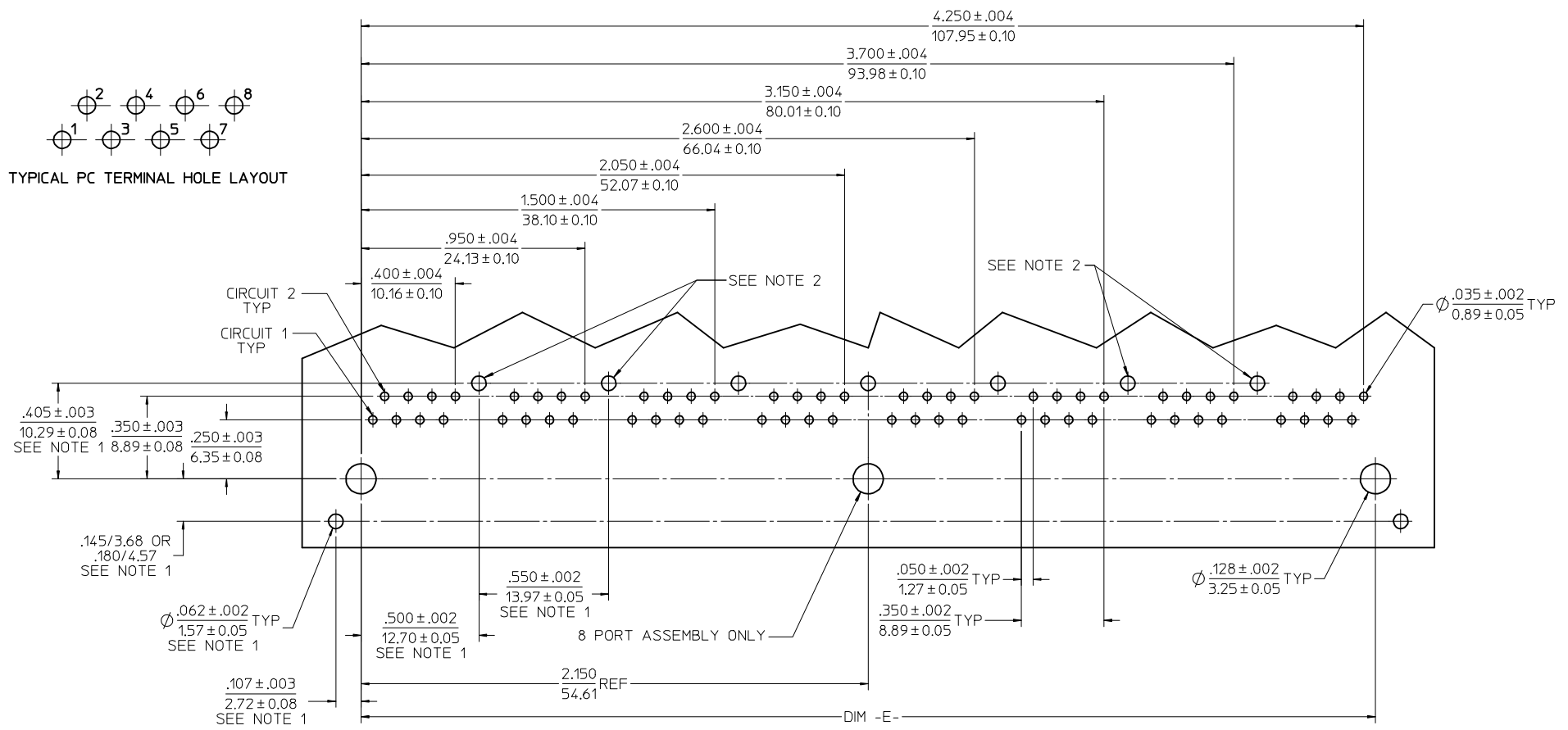
- NOTES:
- MATERIAL:
HOUSING: NYLON(PA), GLASS FILLED, UL94V-0, COLOR: BLACK
TERMINALS: PHOSPHOR BRONZE
SHIELD: BRASS
 - FINISH:
TERMINALS:
SELECT GOLD IN CONTACT AREA: 50 MICROINCHES / 1.27 MICROMETERS MIN.,
*SELECT TIN IN PC TAIL AREA: 100 MICROINCHES / 2.54 MICROMETERS MIN.,
WITH OVERALL NICKEL UNDERPLATE: 50 MICROINCHES / 1.27 MICROMETERS MIN.
SHIELD:
*100 MICROINCHES / 2.54 MICROMETERS NICKEL OVER 50 MICROINCHES /
1.27 MICROMETERS COPPER UNDERPLATE, PCB GROUND TABS DIPPED IN TIN
*THE PRIMARY SHIPPING CARTON WILL BE LABELED 'COMPLIANT TO ROHS
DIRECTIVE 2002/95/EC AND ELV ANNEX II OF DIRECTIVE 2000/53/EC'.
CARTONS WITHOUT THIS LABEL MAY CONTAIN PRODUCT WITH TIN-LEAD
IN THE PC TAILS AND/OR SHIELD.
 - PRODUCT SPECIFICATION AND PROCESSING PARAMETERS: PS-44050-003.
 - PACKAGING SPECIFICATION:
SHIELDED CONNECTOR ASSEMBLIES IN THERMOFORMED TRAYS PER MOLEX
PACKAGING SPECIFICATION PK-44150-004.
 - MATES WITH: MODULAR PLUGS THAT CONFORM TO FCC REGULATION PART 68.5.
 - PC BOARD LAYOUTS AND PANEL CUT-OUT SHOWN ON PAGE (3) OF (3).
 - CONNECTOR AVAILABLE WITH EITHER PEG OPTION 'A' (SNAP-FIT) OR
PEG OPTION 'B' (PRESS-FIT). THIS DRAWING SHOWS PEG OPTION 'A'.
 - (4) PORT AND (8) PORT MODJACKS AVAILABLE WITH A SINGLE GROUND TAB ON REAR
OF SHIELD, LOCATED IN THE CENTER. PER THE ASSEMBLY MATERIAL NUMBER TABLE.
 - (8) PORT VERSION AVAILABLE WITH (3) GROUND TABS ON REAR OF SHIELD,
CENTERED ON THE PART, PER THE ASSEMBLY MATERIAL NUMBER TABLE.
 - TERMINAL LENGTHS MAY BE DIFFERENT FROM TERMINAL TO TERMINAL.
 - THIS PART CONFORMS TO CLASS B REQUIREMENTS OF COSMETIC SPECIFICATION
PS-45499-002 WITH THE EXCEPTION OF THE SURFACE INDICATED WHICH IS A
CLASS C SURFACE.

ASSEMBLY MATERIAL NUMBER	NUMBER OF PORTS	PEG OPTION	CENTER PEG	REAR SHIELD GROUND TABS	DIM -A-	DIM -C-	DIM -D-
441500005	2	A	NO	1	1.225/31.12	0.145/3.68	1.000/25.40
441500011	2	A	NO	1	1.225/31.12	0.180/4.57	1.000/25.40
441500021	2	B	NO	1	1.225/31.12	0.145/3.68	1.000/25.40
441500027	2	B	NO	1	1.225/31.12	0.180/4.57	1.000/25.40
441500009	4	A	NO	1	2.325/59.05	0.145/3.68	2.100/53.34
441500015	4	A	NO	1	2.325/59.05	0.180/4.57	2.100/53.34
441500006	4	A	NO	3	2.325/59.05	0.145/3.68	2.100/53.34
441500012	4	A	NO	3	2.325/59.05	0.180/4.57	2.100/53.34
441500025	4	B	NO	1	2.325/59.05	0.145/3.68	2.100/53.34
441500031	4	B	NO	1	2.325/59.05	0.180/4.57	2.100/53.34
441500022	4	B	NO	3	2.325/59.05	0.145/3.68	2.100/53.34
441500028	4	B	NO	3	2.325/59.05	0.180/4.57	2.100/53.34
441500034	4	B	NO	3	2.325/59.05	N/A	2.100/53.34
441500007	6	A	NO	5	3.425/87.00	0.145/3.68	3.200/81.28
441500013	6	A	NO	5	3.425/87.00	0.180/4.57	3.200/81.28
441500023	6	B	NO	5	3.425/87.00	0.145/3.68	3.200/81.28
441500029	6	B	NO	5	3.425/87.00	0.180/4.57	3.200/81.28
441500010	8	A	YES	1	4.525/114.94	0.145/3.68	4.300/109.22
441500016	8	A	YES	1	4.525/114.94	0.180/4.57	4.300/109.22
441500033	8	A	YES	3	4.525/114.94	0.145/3.68	4.300/109.22
441500008	8	A	YES	7	4.525/114.94	0.145/3.68	4.300/109.22
441500014	8	A	YES	7	4.525/114.94	0.180/4.57	4.300/109.22
441500026	8	B	YES	1	4.525/114.94	0.145/3.68	4.300/109.22
441500032	8	B	YES	1	4.525/114.94	0.180/4.57	4.300/109.22
441500024	8	B	YES	7	4.525/114.94	0.145/3.68	4.300/109.22
441500030	8	B	YES	7	4.525/114.94	0.180/4.57	4.300/109.22

ADD NOTE 11 EC NO: UCP2009-0477 DRWN: BELL 2008/09/05 CHKD: BELL 2008/09/11 APPR: FSMITH 2008/09/11 REV: D1	QUALITY SYMBOLS ▽=0 ▽=0	GENERAL TOLERANCES (UNLESS SPECIFIED)		DIMENSION STYLE IN/MM		SCALE 2:1	DESIGN UNITS INCH	THIRD ANGLE PROJECTION
		mm INCH	DRAWN BY MARANTO	DATE 98/01/21	TITLE CATEGORY 5E MODULAR JACK ASSEMBLIES, GANGED			
		4 PLACES ± --- ± --- 3 PLACES ± --- ± .010 2 PLACES ± 0.25 ± --- 1 PLACE ± --- ± ---	CHECKED BY ROBERTS	DATE 98/01/21	MOLEX INCORPORATED			
		ANGULAR ± 1/2°	APPROVED BY ROBERTS	DATE 98/01/21	MATERIAL NO. SEE CHART	DOCUMENT NO. SD-44150-002		
DRAFT WHERE APPLICABLE MUST REMAIN WITHIN DIMENSIONS		SIZE C	THIS DRAWING CONTAINS INFORMATION THAT IS PROPRIETARY TO MOLEX INCORPORATED AND SHOULD NOT BE USED WITHOUT WRITTEN PERMISSION					



TYPICAL PC TERMINAL HOLE LAYOUT

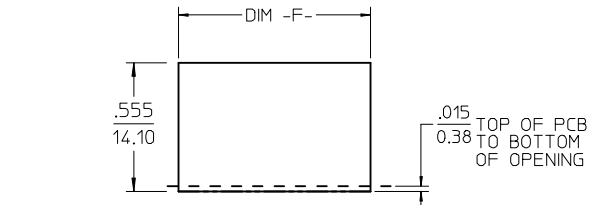


PCB LAYOUT : COMPONENT SIDE
RECOMMENDED PCB THICKNESS : .062/1.57

NOTES:

1. DIMENSIONS REFER TO SHIELDED ASSEMBLIES ONLY
2. SHIELD PCB GROUND TAB HOLES SPECIFIED NOT PRESENT FOR 441500033 USAGE

NUMBER OF PORTS	DIM -E-	DIM -F-
2	1.000/25.40	1.255/31.88
4	2.100/53.34	2.355/59.82
6	3.200/81.28	3.455/87.86
8	4.300/109.22	4.555/115.70



SUGGESTED PANEL OPENING
SHIELDED VERSIONS

SEE SHEET 1 EC NO: UCP2009-0477 DRWN:JBELL 2008/09/05 CHKD:JBELL 2008/09/11 APPR:FSMITH 2008/09/11 D1	QUALITY SYMBOLS ▽=0 ▽=0	GENERAL TOLERANCES (UNLESS SPECIFIED)		DIMENSION STYLE IN/MM		SCALE	DESIGN UNITS INCH	THIRD ANGLE PROJECTION			
		4 PLACES ± --- ± ---	3 PLACES ± --- ± .010	2 PLACES ± 0.25 ± ---	1 PLACE ± --- ± ---	ANGULAR ± 1/2°	DRAWN BY MARANTO	DATE 98/01/21	TITLE CATEGORY 5E MODULAR JACK ASSEMBLIES, GANGED		
		DRAFT WHERE APPLICABLE MUST REMAIN WITHIN DIMENSIONS					CHECKED BY ROBERTS	DATE 98/01/21	MOLEX INCORPORATED		
		MATERIAL NO. N/A					APPROVED BY ROBERTS	DATE 98/01/21	DOCUMENT NO. SD-44150-002	SHEET NO. 3 OF 3	

THIS DRAWING CONTAINS INFORMATION THAT IS PROPRIETARY TO MOLEX INCORPORATED AND SHOULD NOT BE USED WITHOUT WRITTEN PERMISSION