

THIS DRAWING IS UNPUBLISHED  
 VERBODEN AFKOPIEEREN OF TE WEDERAFTEKENEN  
 RELEASED FOR PUBLICATION  
 FÜR FÜR VERÖFFENTLICHUNG  
 2015  
 DATED WITH  
 PASSED 29  
 COPYRIGHT 2015 BY TE CONNECTIVITY  
 ALL RIGHTS RESERVED  
 ALLE RECHTE VOORBEHALTEN

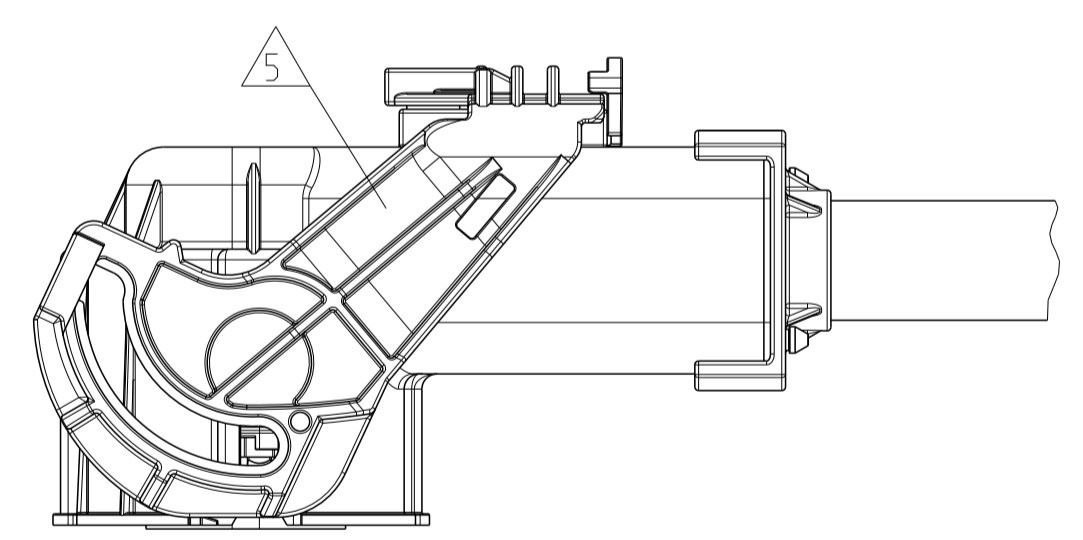
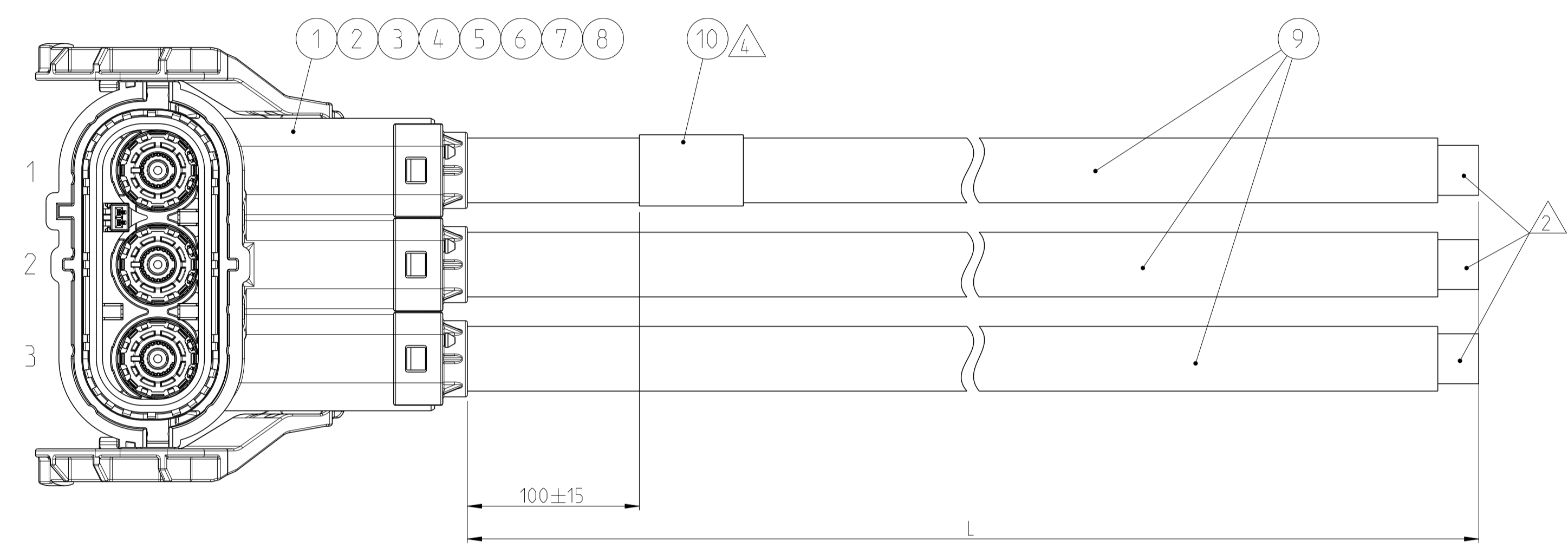
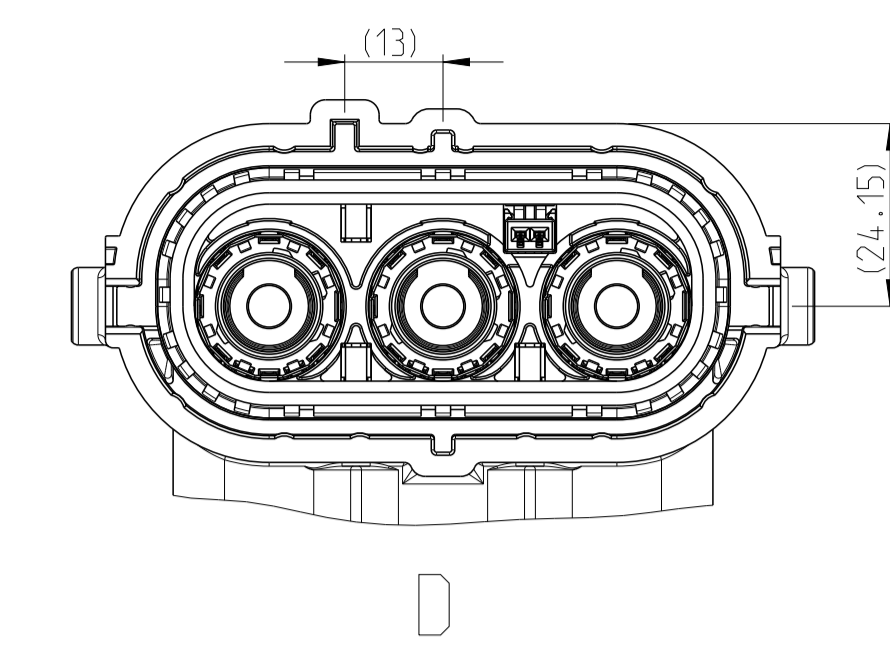
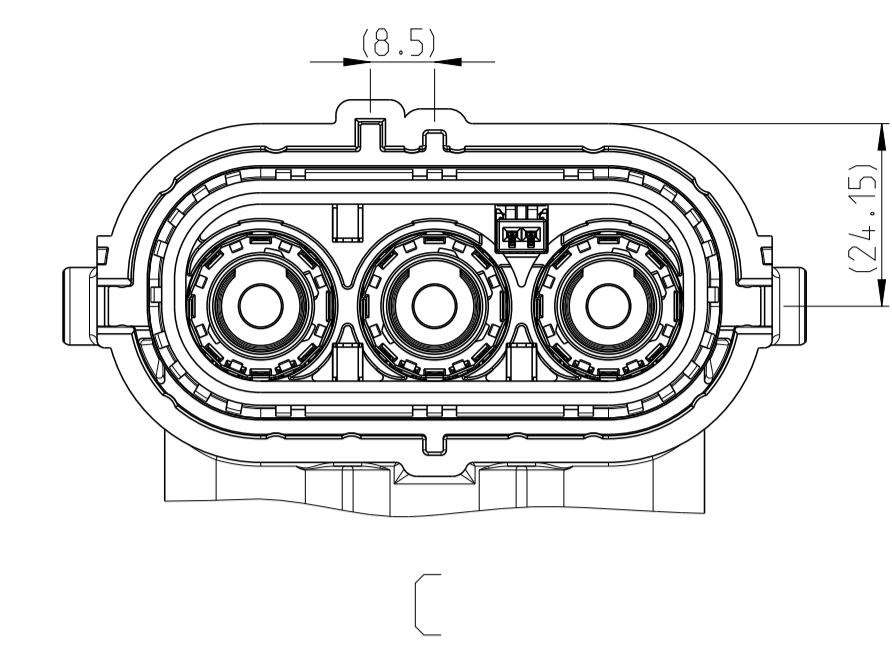
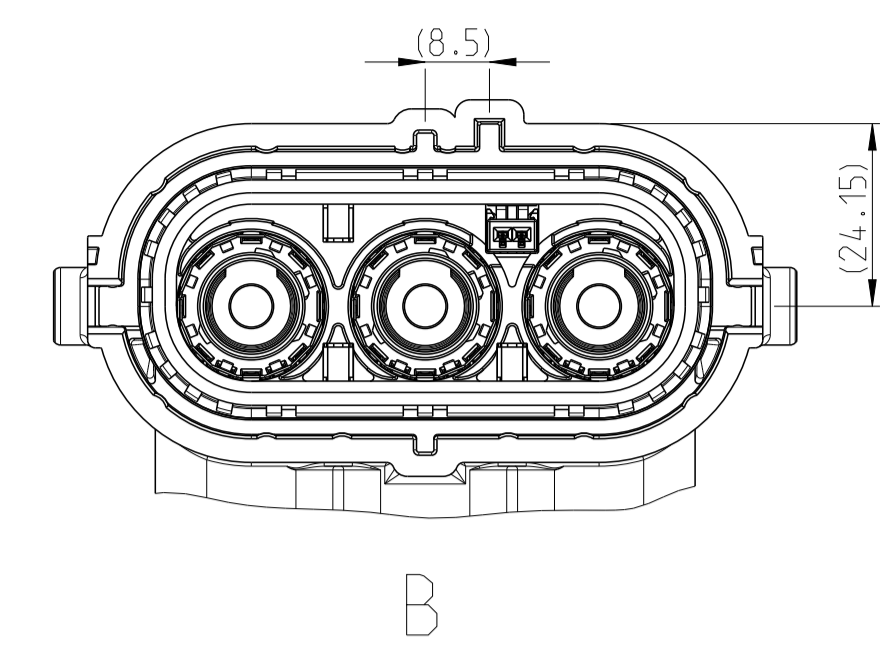
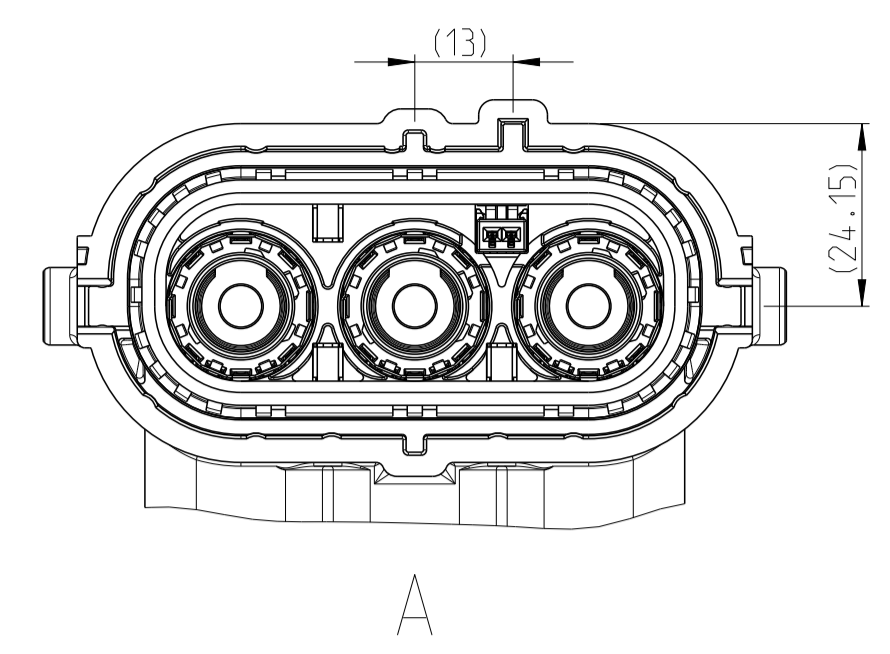
**CODINGS**  
**SHOWN WITHOUT LEVER - 1:1**

THE DRAWING SHOWS THE 2-DIMENSIONAL REFERENCE COMPONENT CONDITION OF THE ASSEMBLY TO IDENTIFY AND SPECIFY THE NECESSARY DIMENSIONS ONLY. THE DELIVERED PARTS MAY DEVIATE FROM THE DRAWING REGARDING THE ORIENTATION AND POSITION OF EACH COMPONENT (e.g. SLACK CABLE), SO FAR THE FUNCTIONALITY IS NOT CONCERNED.

DIE ZEICHNUNG ZEIGT DEN 2-DIMENSIONALEN IDEALZUSTAND DES ZUSAMMENBAUTEILS BEZÜGLICH DER KOMPONENTEN ZUR IDENTIFIKATION UND SPEZIFIKATION DER NOTWENDIGEN DIMENSIONEN. HINSICHTLICH DER ORIENTIERUNG UND DER LAGE DER KOMPONENTEN (Z.B. BIEGESCHLAPPE KABEL) KÖNNEN DIE GELIEFERTEN TEILE VON DER ZEICHNUNG ABWEICHEN, SOFERN DIE FUNKTIONALITÄT NICHT BEEINTRÄCHTIGT IST.

PROJEKT NR.:  
 PRJ-11-00001983

REVISIONS		DATE	OWN	APPV
NO.	DESCRIPTION			
B2	NOTES AND LABEL LEGEND UPDATED	09DEC12018	JM	JJ
B3	NEW VARIANTS ADDED	12NOV2018	JM	JJ



**4 LABEL LEGEND:**

**STE** — CURRENT REV.  
 TE PN: X-2286950-Y Rev. — DATE CODE  
 DD/MM/YY  
 2.7 kV DC TEST PASSED

**NOTES**

- PACKAGING:  
 EACH HOUSING OF THE CABLE ASSEMBLY TO BE INDIVIDUALLY WRAPPED IN FOAM (PN 741639-2) AND FIXED WITH RUBBER BAND (PN 1-2000064-0). PACKED IN TE STANDARD SHIPPING BOX VERTICAL SIDES OVERAID WITH PAPER CUSHIONS (PN 740045-2) ACCORDING TE SPEC. 107-18032. DAMAGED TO BE AVOIDED.
- ELECTRICAL TEST ACCORDING TE SPECIFICATION 108-18857. USE CURRENT REVISION ALWAYS. MIN. 10 mm STRIPPING OF OUTER JACKET AND BRAID FOR ELECTRICAL TEST PURPOSE.
- PRODUCT SPECIFICATION: 108-94268, 108-94256  
 APPLICATION SPECIFICATION: 114-94052, 114-94083
- MANUFACTURING CODE:  
 TE PART NO., CURRENT REV. LEVEL AND DATE CODE (DD.MM.YY), TO BE PRINTED ON LABEL (ITEM 10). LABEL TO BE APPLIED TO THE CABLE AFTER SUCCESSFUL ELECTRICAL TEST.
- LEVER POSITION: CLOSED ON DELIVERY.

TE PART NO.	REV.	LENGTH L (mm)	TOL. (mm)	CODING
1-2286950-0	B	500	+30	A
1-2286950-1	B	1000	+30	
1-2286950-2	B	2000	+35	
1-2286950-3	B	3000	+40	
1-2286950-4	B	4000	+50	
1-2286950-5	B	5000	+60	B
2-2286950-0	B	500	+30	
2-2286950-1	B	1000	+30	
2-2286950-2	B	2000	+35	
2-2286950-3	B	3000	+40	
2-2286950-4	B	4000	+50	
2-2286950-5	B	5000	+60	C
3-2286950-0	A	500	+30	
3-2286950-1	A	1000	+30	
3-2286950-2	A	2000	+35	
3-2286950-3	A	3000	+40	
3-2286950-4	A	4000	+50	D
3-2286950-5	A	5000	+60	
4-2286950-0	A	500	+30	
4-2286950-1	A	1000	+30	
4-2286950-2	A	2000	+35	
4-2286950-3	A	3000	+40	
4-2286950-4	A	4000	+50	
4-2286950-5	A	5000	+60	

QTY	QTY	QTY	QTY	DESCRIPTION	ITEM NO.
4-x	3-x	2-x	1-x		
1	1	1	1	LABEL, HELL. TYP 323, 25.4 x 95.25	10
see table	see table	see table	see table	1 POS. POWER CABLE, 35 SQMM	9
3	3	3	3	PROTEC. COVER 8 MM HV, 90 DEG, 35 SQMM	8
3	3	3	3	SINGLE WIRE SEAL, 8 MM HV, 90 DEG, 35 SQMM	7
3	3	3	3	SHIELD CRIMP FERRULE, 90 DEG	6
3	3	3	3	SHIELDING SLEEVE, 90 DEG	5
3	3	3	3	FINGER PROTECTION CAP 8 MM HV, 90 DEG	4
3	3	3	3	HV 8 MM, DEEP DRAWN SOCKET PIN, 90 DEG., ASSEMBLY	3
3	3	3	3	HV 8 MM, DEEP DRAWN SOCKET PIN, 90 DEG., ASSEMBLY	2
1	-	-	-	3 POS., 8 MM HV, REC HSG, 90 DEG, ASSY, SEALED, COD D	1
-	1	-	-	3 POS., 8 MM HV, REC HSG, 90 DEG, ASSY, SEALED, COD C	
-	-	1	-	3 POS., 8 MM HV, REC HSG, 90 DEG, ASSY, SEALED, COD B	
-	-	-	1	3 POS., 8 MM HV, REC HSG, 90 DEG, ASSY, SEALED, COD A	

PRODUCT CHARACTERISTICS ACC. QMP EMEA_12 BESONDERE MERKMALE NACH QMP EMEA_12	TOLERANCING ISO 8015 TOLERIERUNG ISO 8015
DIESE ZEICHNUNG IST EIN KONTROLLIERTES DOKUMENT. BEMASSUNGEN UND TOLERANZEN GEMAESS GPS (ISO STANDARDS).	
THIS DRAWING IS A CONTROLLED DOCUMENT. DIMENSIONING AND TOLERANCING PER GPS (ISO STANDARDS)	
DIMENSIONS: MASSENMESSEN MM	TOLERANCES UNLESS OTHERWISE SPECIFIED: ALLE TOLERANZEN
0 PLC ±	1 PLC ±
2 PLC ±	3 PLC ±
4 PLC ±	ANGLES/WINKEL ±
MATERIAL	FINISH/OBERFLÄCHE/FARBE
-	-
-	-

**STE** TE Connectivity

NAME: 3 POS. HVP800, 90, 35 SQMM. CABLE ASSY

SIZE: A1 CAGE CODE: - DRAWING NO: C=2286950 RESTRICTED TO NUR FÜR -

CUSTOMER DRAWING /KUNDENZEICHNUNG SCALE: 1:1 SHEET 1 OF 1 REV: B3