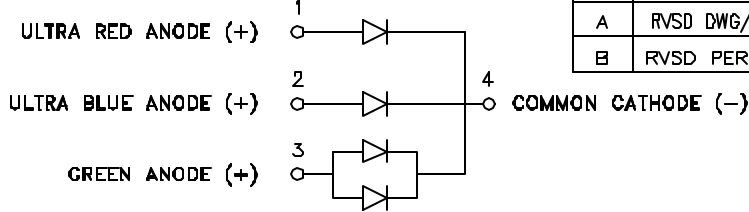
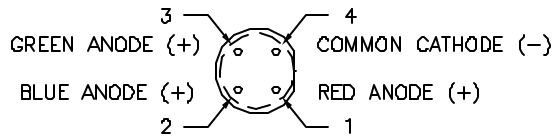
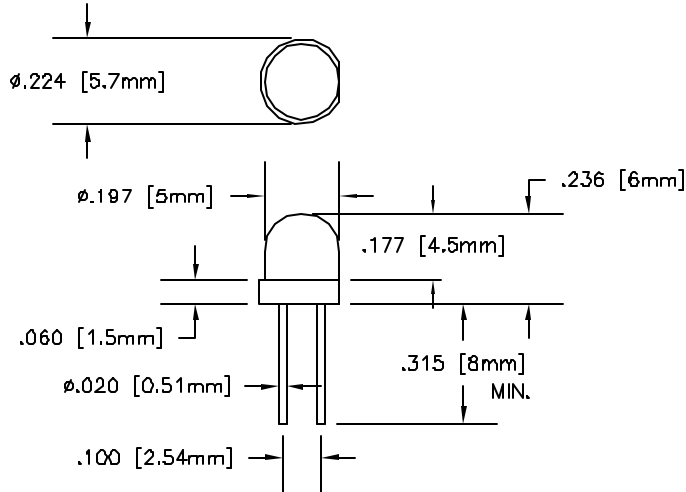


Actual Size



| LTR | REVISION | DATE | APPD |
|-----|-----------------------------------|----------|------|
| - | RELEASED | 04-22-97 | |
| A | RVSD DWG/NOTES PER ECR 062497-006 | 06-24-97 | PM |
| B | RVSD PER ECR 042502-RM01 | 04-25-02 | RM |



BOTTOM VIEW

NOTES:

1. ALL DIMENSIONS ARE IN INCHES [MILLIMETERS]
2. TOLERANCE IS $\pm 0.010"$ [0.25mm] UNLESS OTHERWISE SPECIFIED
3. PROTRUDED RESIN UNDER FLANGE IS .059" [1.5mm] MAX.
4. LEAD SPACING IS MEASURED WHERE LEADS EMERGE FROM THE PACKAGE
5. SPECIFICATIONS ARE SUBJECTED TO CHANGE WITHOUT NOTICE
6. Ifp .1 msec PULSE 0.1% DUTY CYCLE.
7. $T_{opr} = -40^{\circ}C$ TO $+80^{\circ}C$
8. $T_{stg} = -40^{\circ}C$ TO $+100^{\circ}C$

* NO FILTER

| LEDTRONICS PART NO. | LENS COLOR | L.E.D. RADIATION COLOR | ELECTRO-OPTICAL CHARACTERISTICS ($T_a=25^{\circ}C$) | | | |
|---------------------|-------------|------------------------|---|------------------------|---------------------------|----------------|
| | | | I _f =mA typ | I _v mcd typ | V _f =V typ/max | λ_P nm |
| DIS-1024-005A | WATER CLEAR | ULTRA RED | 20 | 75 | 1.7/2.8 | 660 |
| | | GREEN (2 CHIPS) | 20 | 35 | 2.0/2.8 | 568 |
| | | ULTRA BLUE | 20 | * | 4.0/4.5 | 430 |

| | | | | | | | |
|--|---|----------------|--|-------------|--------|----------|----------|
| <p>LED[®] LEDTRONICS, INC. 23105 KASHIWA COURT TORRANCE, CA 90505</p> | <p>PROPRIETARY - This document contains Proprietary Information of LEDTRONICS, INC. It may not be copied, used or disclosed for any purpose without the prior express written consent of LEDTRONICS, INC.</p> | | <p>TITLE DIS-1024-005A (WATER CLEAR)</p> | | | | |
| | <p>XXX \pm .010 TOLERANCE PER ANSI-Y14.5 .XX \pm .025 (UNLESS OTHERWISE STATED) ANGLES \pm 0°.30' FRACT. \pm 1/32</p> | | DWG NO | SCALE | SHEET | DATE | |
| | | | D1024003 | 2:1 | 1 OF 1 | 04-22-97 | |
| | | CODE IDENT NO. | DWG BY | CHK BY | QA | MFG | CUSTOMER |
| | | 8Z410 | JCH | PL 05-01-02 | | | |