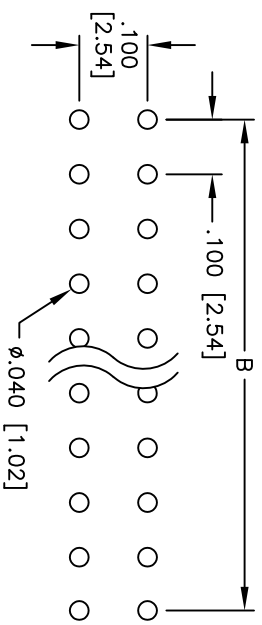
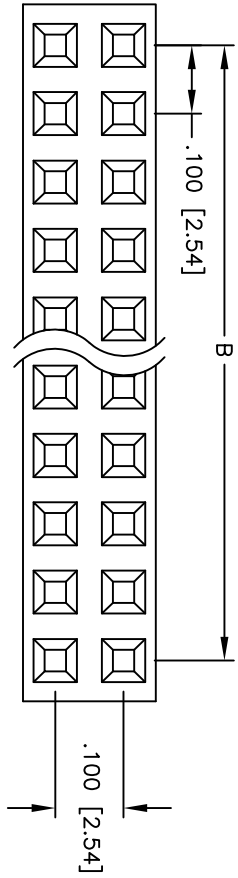
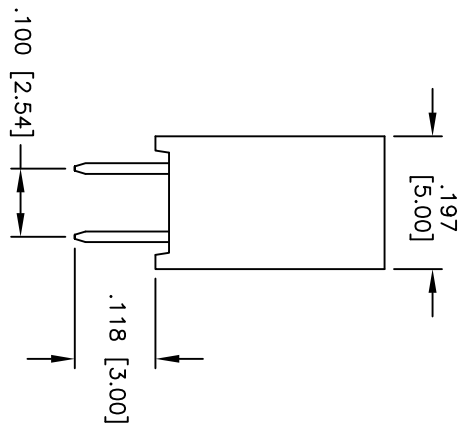
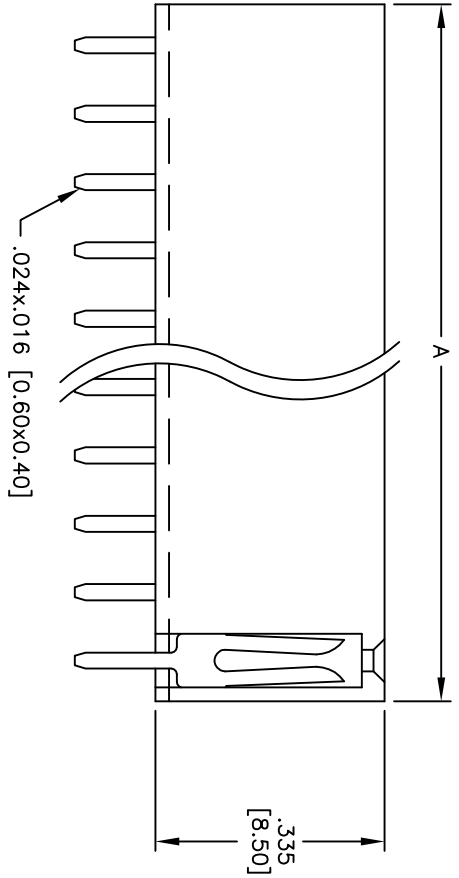


Rev	AWO #	Description	Date	Appr
-		RELEASED	7/26/06	

APPROVED: \_\_\_\_\_  
 DATE: \_\_\_\_\_ TITLE: \_\_\_\_\_



RECOMMENDED  
PCB LAYOUT



**SPECIFICATIONS:**  
 Material: PBT, glass reinforced, rated UL 94V-0  
 Insulator color: Black  
 Contacts: Brass  
 Plating: Tin over Copper Underplate overall.

**Electrical:**  
 Operating voltage: 250 VAC max.  
 Current rating: 3 Amps max.  
 Contact resistance: 20 mohms max. initial  
 Insulation resistance: 5,000 Mohms min.  
 Dielectric withstanding voltage: 1,000 VAC for 1 minute  
**Temperature Rating:**  
 Operating temperature: -40°C to +105°C

**Environmental:**  
 Lead free, RoHS compliant  
 Recommended soldering temp: 235°C for 5 seconds



Positions: 02 thru 80  
 A = .100 [2.54] x No. of Positions per Row + .020 [0.50]  
 B = .100 [2.54] x No. of Spaces

UNLESS OTHERWISE SPECIFIED  
ALL DIMENSIONS ARE INCHES [MM]

TOLERANCES: EXCEPT AS NOTED	HOLDERS
.X ± .10	ØX ± .10
.XX ± .020	ØXXX ± .015
.XXX ± .015	ØXXX ± .010

APPROVALS

DATE	DATE
SS	7/26/06

**ADAM TECH**  
 909 Rahway Avenue, Union, NJ 07083  
 Phone: 908-687-5000 Fax: 908-687-5710

TITLE: .100 x .100 DUAL ROW RECEPTACLE STRIP  
 .335 [8.50] HEIGHT

DRAWN	SS	7/26/06	SIZE	PART NO.	REV.
CHECKED			X	RS2-XX-T	
APPROVED			REF:	SCALE: NTS	SHEET 1 OF 1