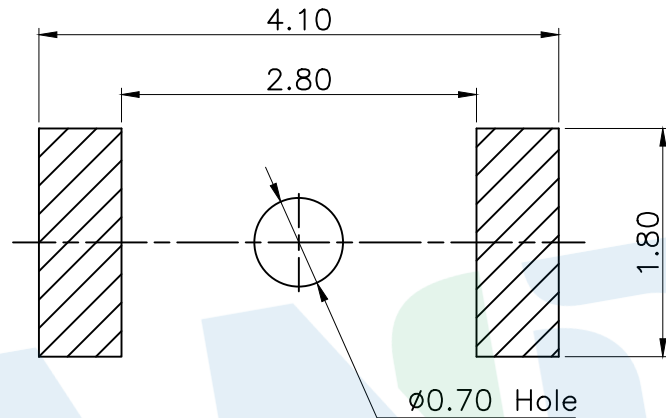
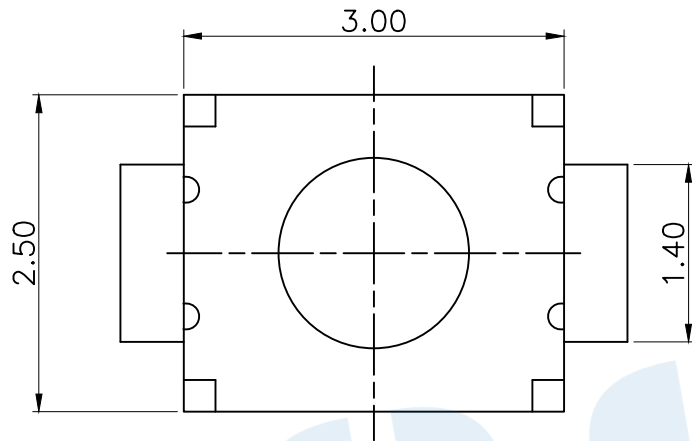
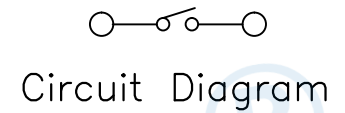


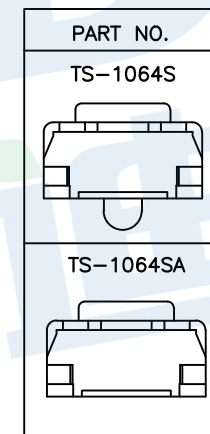
RoHS



PCB Layout (Pattern Side)

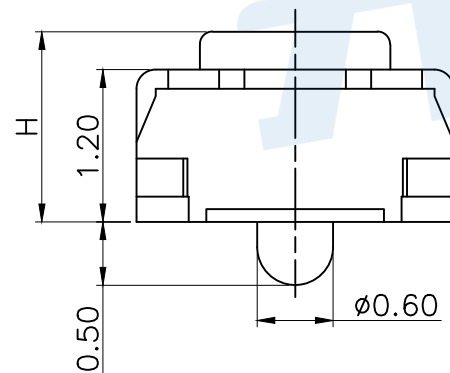
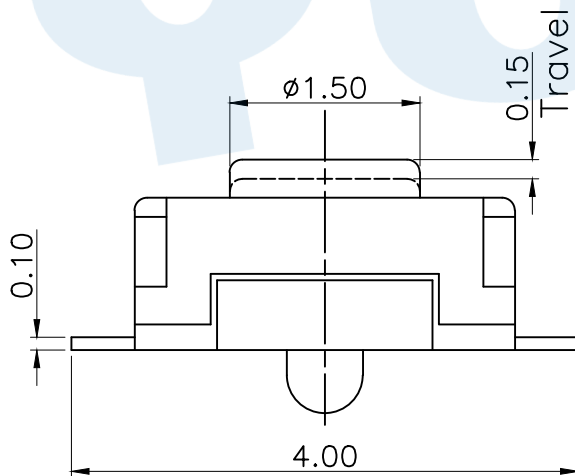


TOTAL HEIGHT	
CODE	H
A1	1.5
A2	1.7



SHRAPNEL	
CODE	MATERIAL/QTY
D2	SUS/1PCS
D4	SUS/2PCS

OPERATING FORCE	
CODE	VIGOR
B2	180±30gf
B3	300±30gf



Ⓕ	Dust film	1	Polyimide tape		
Ⓔ	Terminal	2	Phosphor bronze	Silvering	
Ⓗ	Reed	2	SUS	Silvering covered	
Ⓒ	Base	1	LCP	White	
Ⓓ	Cover	1	SUS	Nickel plated	
Ⓐ	Button	1	LCP	Black	
NO.	Name	Number	Qty	Materil	Remarks

YUANDI® Yuandi Electronics Co, Ltd

design	date	name	TACT SWITCHS
Review	date		
Approved	date	name	TS-1064S-A□B□-D□