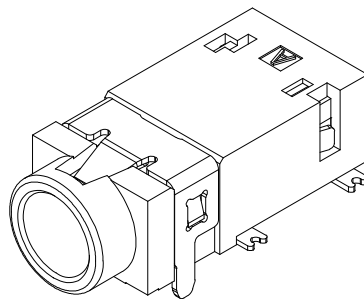
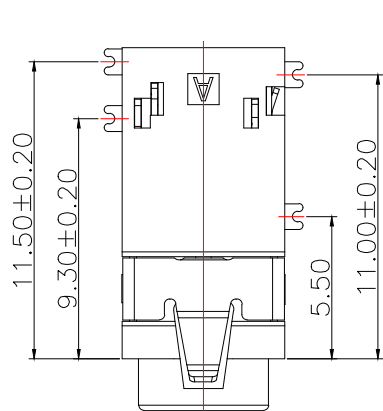
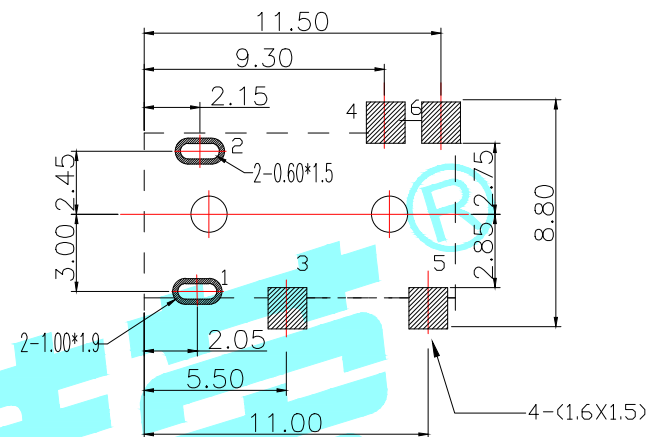


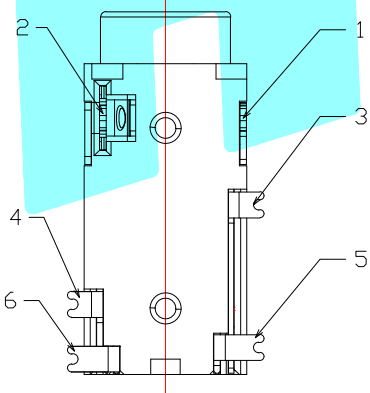
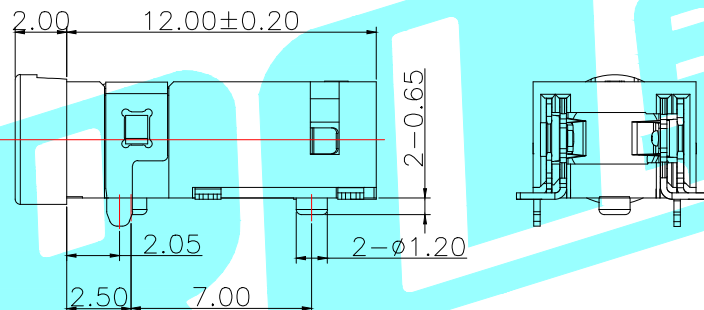
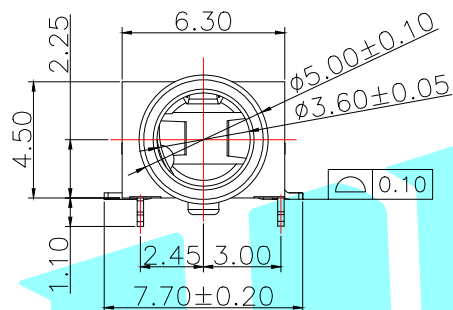
ROHS



3D VIEW



PCB Layout(Top view)



Rating: 1A 30V DC  
 Contact Resistance: 30 mΩ Max.  
 Operating temperature: -25℃~80℃  
 Operating force: 3-30N  
 Operating Life: 5,000cycles

Model NO	PJ-332A-A	PJ-332A-B	PJ-332A-C
Schematic			
Model NO	PJ-332A-D	PJ-332A-E	PJ-332A-F
Schematic			

②	Terminal	6	Phosphor bronze	Plating Au			
①	Housing	1	PPA	Black			
ITEM	PART NAME	Serial number	QTY.	MATERIAL	FINISHING	REMARK	
APPROVALS		DATE		 ELECTRONICS CO.,LTD PHONE JACKS PJ-332A			
DRAWN	LIUCAN	2021.6.3					
CHECKED							
APPROVALS				PART NO.	PJ-332A		
TOLERANCES ARE		30~以上 10~30 5~10 ~ 5	±0.30 ±0.20 ±0.15 ±0.10	ANGLE	UNIT: mm	SCALE: 1:1	
ECN NO.	REV.	DATE.	CHANGE.	CHECK.	APPRO.	DRAWING NO.	SHEET 1 OF 1

	A					
NEW						
DESCRIPTION.						