

## Features

- 2.54 mm pitch & height
- 2 to 6 precious metal contacts
- End-to-end stackable
- Twin hot contacts (symmetrical pad layout)
- Pick & place compatible
- High cycle life

- RoHS compliant\* - see [processing information](#) on lead free modular contacts

## 70AA/Male - Modular Contact

### Materials & Finishes

Insulator....Glass reinforced thermoplastic,  
UL 94V-0 rated, black  
Contact.....Copper alloy  
Finish  
Underplating .....Nickel  
Contact Area.....Gold

### Operating Characteristics

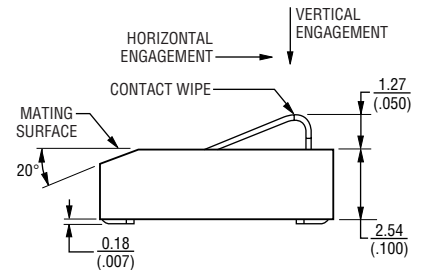
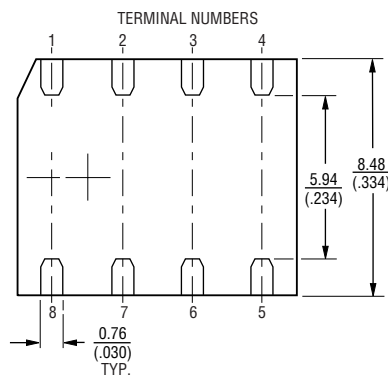
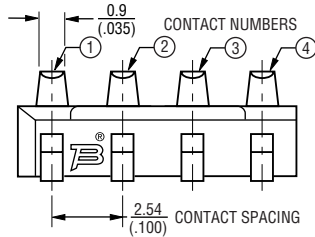
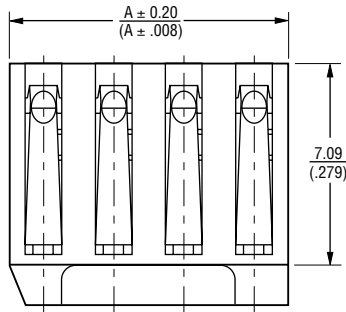
Electrical  
Current Rating.....3 A/contact  
Voltage Rating.....60 V  
Contact Resistance .....25 mohms max.  
Dielectric Voltage .....AC 500 V  
Insulating Resistance ..1000 Mohms min.  
Operating Temperature  
.....-55 °C to 125 °C  
Mechanical  
Vibration.....30 G, 10-2K Hz,  
0.06 inches D.A.  
Shock.....100 G  
Normal Force .....80 grams min.  
at a working height of  
0.25 mm (0.010 inches)  
Durability.....10,000 cycles min.

### How to Order

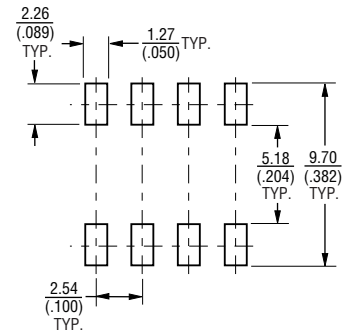
**70AA J - 4 - M 0 G**

Model \_\_\_\_\_  
Terminal Style \_\_\_\_\_  
J = SMT  
Number of Contacts (N) \_\_\_\_\_  
2 through 6  
Gender \_\_\_\_\_  
M = Male  
Options \_\_\_\_\_  
0 = Standard  
Packaging Option \_\_\_\_\_  
= Tube  
G = Embossed Tape (750 pcs. per reel)

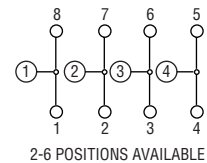
### Product Dimensions



### Recommended PWB Layout



### Electrical Schematic



Number of Contacts	Dimension A
2	5.00 (.197)
3	7.54 (.297)
4	10.20 (.397)
5	12.62 (.497)
6	15.16 (.597)

TOLERANCES:  $\frac{0.3}{(.012)}$  UNLESS OTHERWISE NOTED

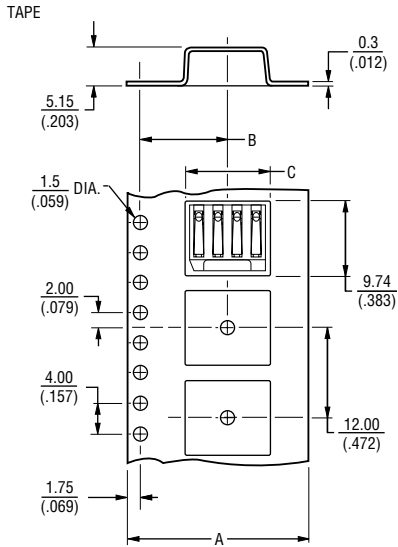
DIMENSIONS:  $\frac{MM}{(INCHES)}$

\*RoHS Directive 2002/95/EC Jan 27 2003 including Annex.  
Specifications are subject to change without notice.  
Customers should verify actual device performance in their specific applications.

# 70AA/Male - Modular Contact

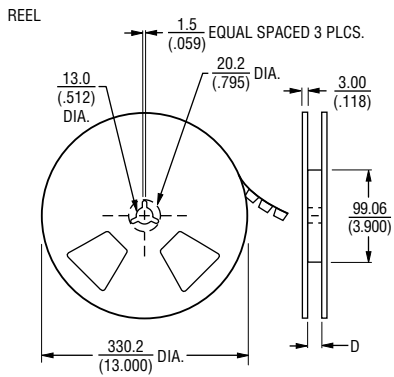
**BOURNS®**

## Packaging Specifications



No. of Contacts	Dimension A	Dimension B	Dimension C	Dimension D
2	16.0 (.630)	7.5 (.296)	5.64 (.222)	16.4 (.646)
3	16.0 (.630)	7.5 (.296)	8.19 (.323)	16.4 (.646)
4	24.0 (.945)	11.5 (.453)	10.4 (.409)	24.4 (.961)
5	24.0 (.945)	11.5 (.453)	12.95 (.510)	24.4 (.961)
6	24.0 (.945)	11.5 (.453)	15.5 (.610)	24.4 (.961)

DIMENSIONS:  $\frac{\text{MM}}{\text{(INCHES)}}$



REV. 07/10

Specifications are subject to change without notice.  
Customers should verify actual device performance in their specific applications.