

# Class G

## Open fuse blocks



### Agency information

- 1-30A: UL® Recognized, UL 512, Guide IZLT2, File E14853
- 35-60A: UL Listed, UL 512, Guide IZLT, File E14853
- 1-60A CSA® Certified, C22.2 No. 39, Class 6225-01; File 47235
- RoHS compliant

### Recommended fuses:

- SC

### Material

#### Base:

- Thermoplastic (1-30A models)
- Phenolic (35-60A models)

#### Fuse clip:

- Bimetallic copper alloy (1-30A models)
- Plated copper (35-60A models)

### DIN-Rail adapters:

- DRA-1 and DRA-2

### Catalog symbols:

- BG\_ (1-30A)
- G\_ (35-60A)

### Description:

A range of open 1-, 2- and 3-pole fuse blocks for Class G fuses.

### Specifications:

#### Ratings

- Volts:
  - 600V (1-20A)
  - 480V (25-60A)
- Amps: 1 to 60A
- Withstand rating: 100kA RMS Sym



Powering Business Worldwide

Catalog numbers:

| Amps       | Poles | Terminal type             |                                    |  | Fig. No.              |   |
|------------|-------|---------------------------|------------------------------------|--|-----------------------|---|
|            |       | Screw with quick-connect* | Pressure plate with quick-connect* | Box lug  |                       |   |
| 1 to 15    | 1     | BG3011SQ                  | BG3011PQ                           | BG3011B  | —                     | 1 |
|            | 2     | BG3012SQ                  | BG3012PQ                           | BG3012B  | —                     | 2 |
|            | 3     | BG3013SQ                  | BG3013PQ                           | BG3013B  | —                     | 3 |
| 20         | 1     | BG3021SQ                  | BG3021PQ                           | BG3021B  | —                     | 1 |
|            | 2     | BG3022SQ                  | BG3022PQ                           | BG3022B  | —                     | 2 |
|            | 3     | BG3023SQ                  | BG3023PQ                           | BG3023B  | —                     | 3 |
| 25 to 30   | 1     | BG3031S                   | BG3031P                            | BG3031B  | —                     | 1 |
|            | 2     | BG3032S                   | BG3032P                            | BG3032B  | —                     | 2 |
|            | 3     | BG3033S                   | BG3033P                            | BG3033B  | —                     | 3 |
| 35 to 60   | 1     | —                         | —                                  | —  | G30060-1CR            | 4 |
|            | 2     | —                         | —                                  | —  | G30060-2CR            | 5 |
|            | 3     | —                         | —                                  | G30060-3C**  | G30060-3CR            | 6 |
| Wire range |       | #10 - #14Cu               | #10 - #18Cu                        | #6 - #14Cu (1-30A)<br>#2 - #14Cu, #2 - #8Al (35-60A) | #2 - #14Cu, #2 - #8Al |   |

\* Quick connect rated for 20A maximum.

\*\* Not RoHS compliant.

Dimensions - in ( $\pm 0.015$ ):

1-30A

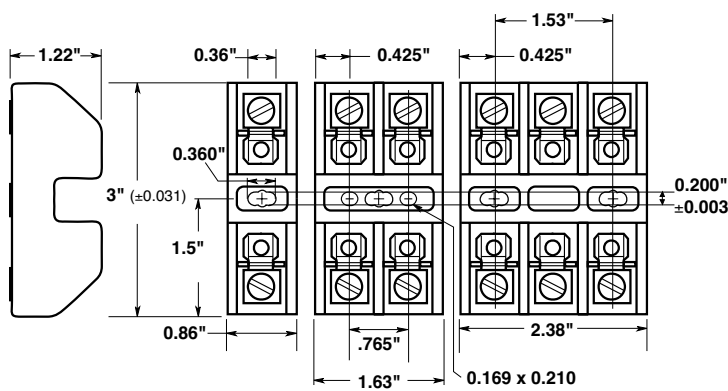


Figure 1. Figure 2. Figure 3.

35-60A

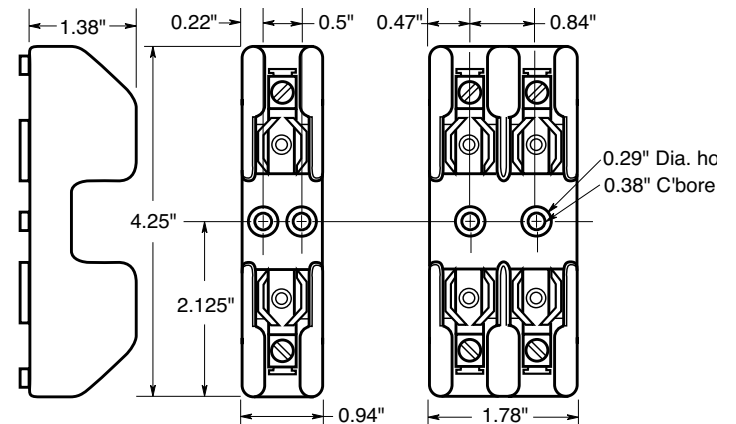


Figure 4. Figure 5.

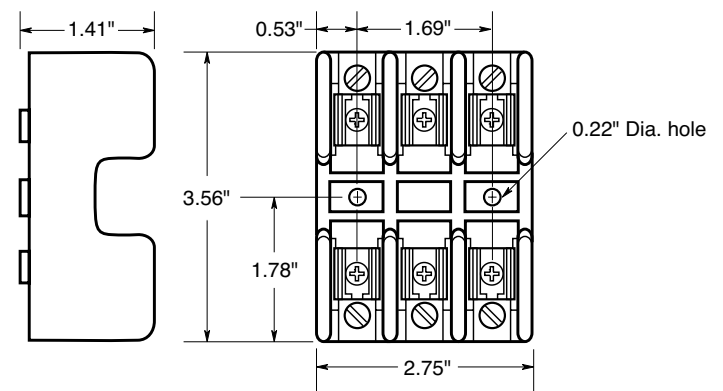


Figure 6.

The only controlled copy of this data sheet is the electronic read-only version located on the Eaton network drive. All other copies of this document are by definition uncontrolled. This bulletin is intended to clearly present comprehensive product data and provide technical information that will help the end user with design applications. Eaton reserves the right, without notice, to change design or construction of any products and to discontinue or limit distribution of any products. Eaton also reserves the right to change or update, without notice, any technical information contained in this bulletin. Once a product has been selected, it should be tested by the user in all possible applications.

**Eaton**  
1000 Eaton Boulevard  
Cleveland, OH 44122  
United States  
Eaton.com

Bussmann Division  
114 Old State Road  
Ellisville, MO 63021  
United States  
Eaton.com/bussmannseries

© 2015 Eaton  
All Rights Reserved  
Printed in USA  
Publication No. 1106 – BU-SB13774  
December 2015

Eaton and Bussmann are valuable trademarks of Eaton in the US and other countries. You are not permitted to use the Eaton trademarks without prior written consent of Eaton.

CSA is a registered trademark of the Canadian Standards Group.  
UL is a registered trademark of the Underwriters Laboratories, Inc.

For Eaton's Bussmann series product information, call **1-855-287-7626** or visit: **Eaton.com/bussmannseries**

Follow us on social media to get the latest product and support information.

