

**P/N: VP2006B DATA SHEET****Feature**

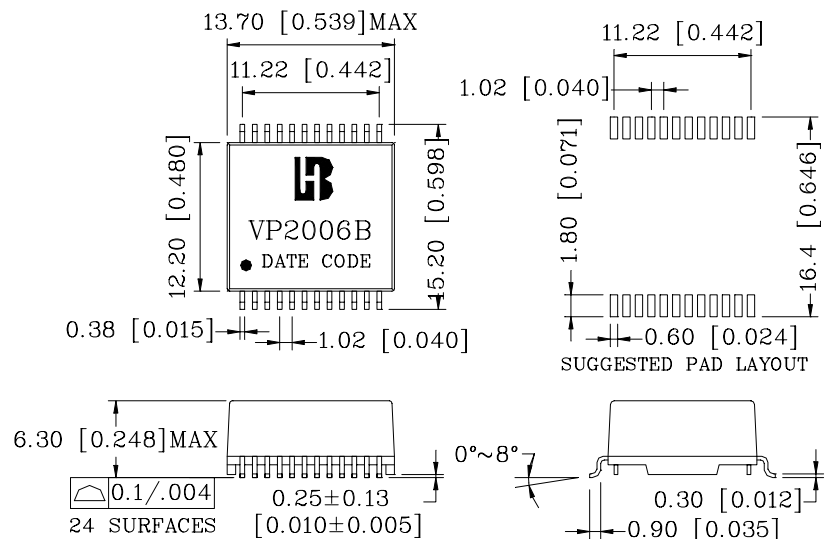
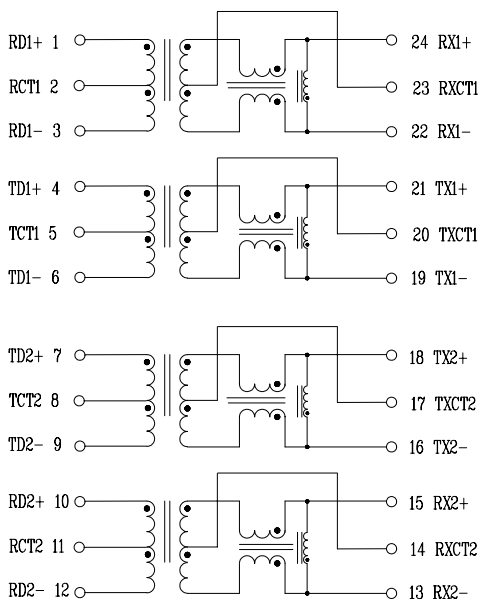
- IEEE 802.3af/ANSI X3.263 compliant performance.
- 350mA current capability.
- Designed for IP phone or switch applications.
- Compact footprint.
- The mold offer Auto MDIX capability.
- Operating temperature range : 0 to +70 .
- Storage temperature range: -25 to +125 .

Electrical Specifications @ 25°C

Part Number	Turns Ratio (±5%)		Cross talk Attenuation (dB Min)			HI-POT (Vrms)
	TX	RX	30MHz	60MHz	100MHz	
VP2006B	1CT: 1CT	1CT: 1CT	-43	-37	-31	1500

Continue

Part Number	Insertion Loss (dB Max)	Return Loss (dB Min)				DCMR (dB Min) TX/RX		
	1-100MHz	1-30MHz	40MHz	50 MHz	60-80MHz	30MHz	60MHz	100MHz
VP2006B	-1.2	-16	-14	-13	-12	-43	-37	-33

Schematic**Mechanical**

Units: mm[Inches] Tolerance: xx.x0±0.25[0.010]
0.xx±0.05[0.002]