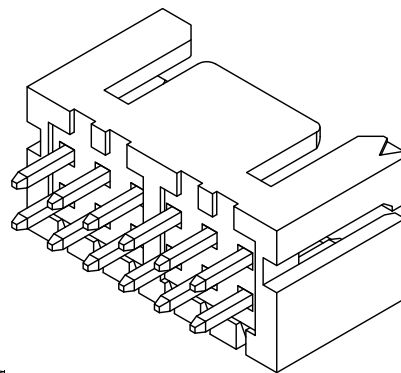
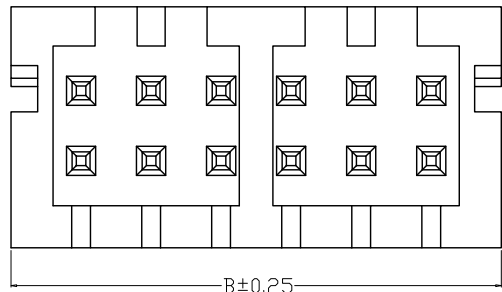


环保物料

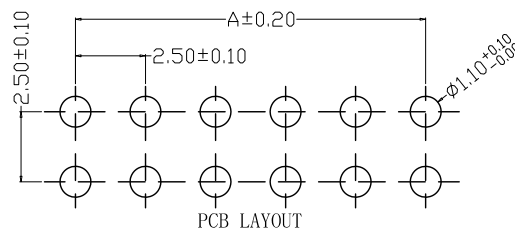
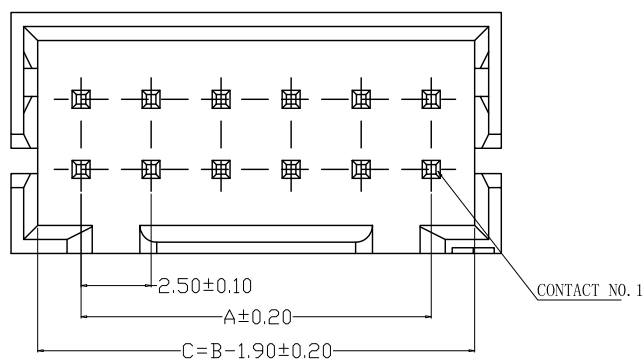
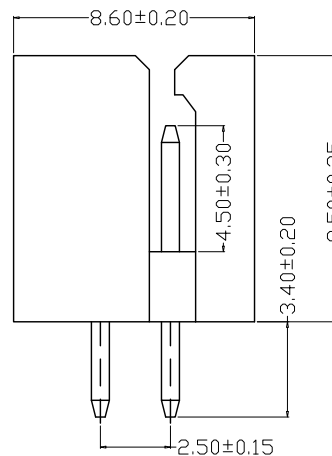
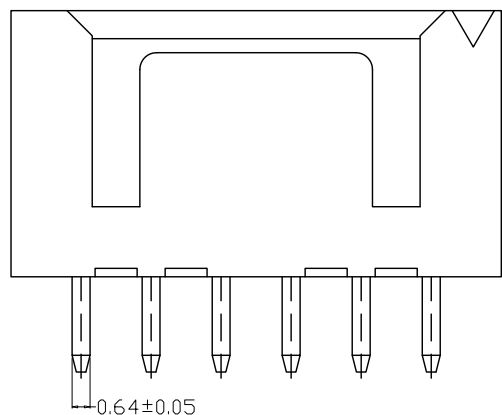
TEL: 0769-82001899



SPECIFICATIONS

- 1.Voltage rating: 250V AC, DC
- 2.Current rating: 3A, AC, DC
- 3.Withstanding Voltage: 800V AC/minute
- 4.Insulation resistance:1000M min
- 5.Temperature range: -25 ° C-+85 ° C
- 6.Contact resistance: 30m max

WAFER
 Housing Material: Nylon66 UL 94V0
 Pin Material: Phosphor Bronze or Brass
 Contact Area Plating: Plated Tin or Plated Gold
 Mates with :P2577 series Housing
 Poles:04-40P
 Part No.: M2557V-2xXX-N0



Pin位数

编 号	尺寸 (mm)	
	A	B
2*02	2.50	7.50
2*03	5.00	10.00
2*04	7.50	12.50
2*05	10.00	15.00
2*06	12.50	17.50
2*07	15.00	20.00
2*08	17.50	22.50
2*09	20.00	25.00
2*10	22.50	27.50
2*11	25.00	30.00
2*12	27.50	32.50
2*20	47.50	52.50

AO	MODIFICATION	DRAW	DATE
VER			

TOLERANCE UNLESS OTHERWISE		DRAWN	CK tan
X.	±0.30 X° ±5°	CHKD	
.X	±0.20 .X° ±2°	APPD	
.XX	±0.08 .XX° ±1°	VIEW	⊕
.XXX	±0.03 .XXX° ±0.5°		

XFCN 兴飞连接器有限公司
 XFCN CONNECTORS CO.,LTD.

PRODUCT NAME: 2.50mm Crimp Style Connectors

PART. NO.: M2557V-2xXX-N0

SHEET	1/1
DATE	2020.04.12
UNITS	mm
SCALE	1:1
DWG. NO.	009