

RL78/F15

User's Manual: Hardware

16-Bit Single-Chip Microcontrollers

All information contained in these materials, including products and product specifications, represents information on the product at the time of publication and is subject to change by Renesas Electronics Corp. without notice. Please review the latest information published by Renesas Electronics Corp. through various means, including the Renesas Electronics Corp. website (<http://www.renesas.com>).

Notice

1. Descriptions of circuits, software and other related information in this document are provided only to illustrate the operation of semiconductor products and application examples. You are fully responsible for the incorporation of these circuits, software, and information in the design of your equipment. Renesas Electronics assumes no responsibility for any losses incurred by you or third parties arising from the use of these circuits, software, or information.
2. Renesas Electronics has used reasonable care in preparing the information included in this document, but Renesas Electronics does not warrant that such information is error free. Renesas Electronics assumes no liability whatsoever for any damages incurred by you resulting from errors in or omissions from the information included herein.
3. Renesas Electronics does not assume any liability for infringement of patents, copyrights, or other intellectual property rights of third parties by or arising from the use of Renesas Electronics products or technical information described in this document. No license, express, implied or otherwise, is granted hereby under any patents, copyrights or other intellectual property rights of Renesas Electronics or others.
4. You should not alter, modify, copy, or otherwise misappropriate any Renesas Electronics product, whether in whole or in part. Renesas Electronics assumes no responsibility for any losses incurred by you or third parties arising from such alteration, modification, copy or otherwise misappropriation of Renesas Electronics product.
5. Renesas Electronics products are classified according to the following two quality grades: "Standard" and "High Quality". The recommended applications for each Renesas Electronics product depends on the product's quality grade, as indicated below.
"Standard": Computers; office equipment; communications equipment; test and measurement equipment; audio and visual equipment; home electronic appliances; machine tools; personal electronic equipment; and industrial robots etc.
"High Quality": Transportation equipment (automobiles, trains, ships, etc.); traffic control systems; anti-disaster systems; anti-crime systems; and safety equipment etc.

Renesas Electronics products are neither intended nor authorized for use in products or systems that may pose a direct threat to human life or bodily injury (artificial life support devices or systems, surgical implantations etc.), or may cause serious property damages (nuclear reactor control systems, military equipment etc.). You must check the quality grade of each Renesas Electronics product before using it in a particular application. You may not use any Renesas Electronics product for any application for which it is not intended. Renesas Electronics shall not be in any way liable for any damages or losses incurred by you or third parties arising from the use of any Renesas Electronics product for which the product is not intended by Renesas Electronics.
6. You should use the Renesas Electronics products described in this document within the range specified by Renesas Electronics, especially with respect to the maximum rating, operating supply voltage range, movement power voltage range, heat radiation characteristics, installation and other product characteristics. Renesas Electronics shall have no liability for malfunctions or damages arising out of the use of Renesas Electronics products beyond such specified ranges.
7. Although Renesas Electronics endeavors to improve the quality and reliability of its products, semiconductor products have specific characteristics such as the occurrence of failure at a certain rate and malfunctions under certain use conditions. Further, Renesas Electronics products are not subject to radiation resistance design. Please be sure to implement safety measures to guard them against the possibility of physical injury, and injury or damage caused by fire in the event of the failure of a Renesas Electronics product, such as safety design for hardware and software including but not limited to redundancy, fire control and malfunction prevention, appropriate treatment for aging degradation or any other appropriate measures. Because the evaluation of microcomputer software alone is very difficult, please evaluate the safety of the final products or systems manufactured by you.
8. Please contact a Renesas Electronics sales office for details as to environmental matters such as the environmental compatibility of each Renesas Electronics product. Please use Renesas Electronics products in compliance with all applicable laws and regulations that regulate the inclusion or use of controlled substances, including without limitation, the EU RoHS Directive. Renesas Electronics assumes no liability for damages or losses occurring as a result of your noncompliance with applicable laws and regulations.
9. Renesas Electronics products and technology may not be used for or incorporated into any products or systems whose manufacture, use, or sale is prohibited under any applicable domestic or foreign laws or regulations. You should not use Renesas Electronics products or technology described in this document for any purpose relating to military applications or use by the military, including but not limited to the development of weapons of mass destruction. When exporting the Renesas Electronics products or technology described in this document, you should comply with the applicable export control laws and regulations and follow the procedures required by such laws and regulations.
10. It is the responsibility of the buyer or distributor of Renesas Electronics products, who distributes, disposes of, or otherwise places the product with a third party, to notify such third party in advance of the contents and conditions set forth in this document, Renesas Electronics assumes no responsibility for any losses incurred by you or third parties as a result of unauthorized use of Renesas Electronics products.
11. This document may not be reproduced or duplicated in any form, in whole or in part, without prior written consent of Renesas Electronics.
12. Please contact a Renesas Electronics sales office if you have any questions regarding the information contained in this document or Renesas Electronics products, or if you have any other inquiries.

(Note 1) "Renesas Electronics" as used in this document means Renesas Electronics Corporation and also includes its majority-owned subsidiaries.

(Note 2) "Renesas Electronics product(s)" means any product developed or manufactured by or for Renesas Electronics.

NOTES FOR CMOS DEVICES

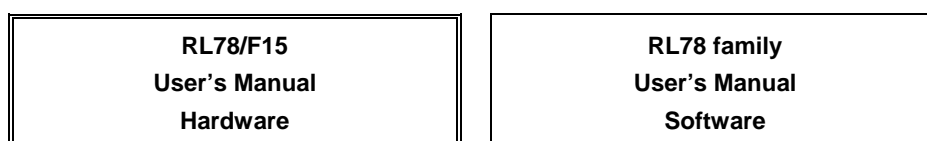
- (1) **VOLTAGE APPLICATION WAVEFORM AT INPUT PIN:** Waveform distortion due to input noise or a reflected wave may cause malfunction. If the input of the CMOS device stays in the area between V_{IL} (MAX) and V_{IH} (MIN) due to noise, etc., the device may malfunction. Take care to prevent chattering noise from entering the device when the input level is fixed, and also in the transition period when the input level passes through the area between V_{IL} (MAX) and V_{IH} (MIN).
- (2) **HANDLING OF UNUSED INPUT PINS:** Unconnected CMOS device inputs can be cause of malfunction. If an input pin is unconnected, it is possible that an internal input level may be generated due to noise, etc., causing malfunction. CMOS devices behave differently than Bipolar or NMOS devices. Input levels of CMOS devices must be fixed high or low by using pull-up or pull-down circuitry. Each unused pin should be connected to VDD or GND via a resistor if there is a possibility that it will be an output pin. All handling related to unused pins must be judged separately for each device and according to related specifications governing the device.
- (3) **PRECAUTION AGAINST ESD:** A strong electric field, when exposed to a MOS device, can cause destruction of the gate oxide and ultimately degrade the device operation. Steps must be taken to stop generation of static electricity as much as possible, and quickly dissipate it when it has occurred. Environmental control must be adequate. When it is dry, a humidifier should be used. It is recommended to avoid using insulators that easily build up static electricity. Semiconductor devices must be stored and transported in an anti-static container, static shielding bag or conductive material. All test and measurement tools including work benches and floors should be grounded. The operator should be grounded using a wrist strap. Semiconductor devices must not be touched with bare hands. Similar precautions need to be taken for PW boards with mounted semiconductor devices.
- (4) **STATUS BEFORE INITIALIZATION:** Power-on does not necessarily define the initial status of a MOS device. Immediately after the power source is turned ON, devices with reset functions have not yet been initialized. Hence, power-on does not guarantee output pin levels, I/O settings or contents of registers. A device is not initialized until the reset signal is received. A reset operation must be executed immediately after power-on for devices with reset functions.
- (5) **POWER ON/OFF SEQUENCE:** In the case of a device that uses different power supplies for the internal operation and external interface, as a rule, switch on the external power supply after switching on the internal power supply. When switching the power supply off, as a rule, switch off the external power supply and then the internal power supply. Use of the reverse power on/off sequences may result in the application of an overvoltage to the internal elements of the device, causing malfunction and degradation of internal elements due to the passage of an abnormal current. The correct power on/off sequence must be judged separately for each device and according to related specifications governing the device.
- (6) **INPUT OF SIGNAL DURING POWER OFF STATE :** Do not input signals or an I/O pull-up power supply while the device is not powered. The current injection that results from input of such a signal or I/O pull-up power supply may cause malfunction and the abnormal current that passes in the device at this time may cause degradation of internal elements. Input of signals during the power off state must be judged separately for each device and according to related specifications governing the device.

How to Use This Manual

Readers This manual is intended for user engineers who wish to understand the functions of the RL78/F15 and design and develop application systems and programs for these devices.

Purpose This manual is intended to give users an understanding of the functions described in the **Organization** below.

Organization The RL78/F15 manual is separated into two parts: this manual and the software edition (common to the RL78 family).



- Pin functions
- Internal block functions
- Interrupts
- Other on-chip peripheral functions
- Electrical specifications
- CPU functions
- Instruction set
- Explanation of each instruction

How to Read This Manual It is assumed that the readers of this manual have general knowledge of electrical engineering, logic circuits, and microcontrollers.

- To gain a general understanding of functions:
 - Read this manual in the order of the **CONTENTS**.
- How to interpret the register format:
 - For a bit number enclosed in angle brackets, the bit name is defined as a reserved word in the assembler, and is defined as an sfr variable using the #pragma sfr directive in the compiler.
- To know details of the RL78/F15 Microcontroller instructions:
 - Refer to the separate document **RL78 Family User's Manual: Software (R01US0015E)**.

Conventions

Data significance: Higher digits on the left and lower digits on the right
Active low representations: \overline{xxx} (overscore over pin and signal name)
Note: Footnote for item marked with **Note** in the text
Caution: Information requiring particular attention
Remark: Supplementary information
Numerical representations: Binary ...xxxx or xxxxB
Decimal ...xxxx
Hexadecimal ...xxxxH

Related Documents

The related documents indicated in this publication may include preliminary versions. However, preliminary versions are not marked as such.

Documents Related to Devices

Document Name	Document No.
RL78/F15 User's Manual: Hardware	R01UH0368E
RL78 Family User's Manual: Software	R01US0015E

Documents Related to Flash Memory Programming

Document Name	Document No.
PG-FP5 Flash Memory Programmer User's Manual	R20UT0008E

Caution The related documents listed above are subject to change without notice. Be sure to use the latest version of each document when designing.

Other Documents

Document Name	Document No.
Renesas MPUs & MCUs RL78 Family	R01CP0003E
Semiconductor Package Mount Manual	Note
Quality Grades on NEC Semiconductor Devices	C11531E
Guide to Prevent Damage for Semiconductor Devices by Electrostatic Discharge (ESD)	C11892E
Semiconductor Reliability Handbook	R51ZZ0001E

Note See the “Semiconductor Package Mount Manual” website (<http://www.renesas.com/products/package/index.jsp>).

Caution The related documents listed above are subject to change without notice. Be sure to use the latest version of each document when designing.

All trademarks and registered trademarks are the property of their respective owners.

EEPROM is a trademark of Renesas Electronics Corporation.

Windows, Windows NT and Windows XP are registered trademarks or trademarks of Microsoft Corporation in the United States and/or other countries.

PC/AT is a trademark of International Business Machines Corporation.

SuperFlash is a registered trademark of Silicon Storage Technology, Inc. in several countries including the United States and Japan.

Caution: This product uses SuperFlash® technology licensed from Silicon Storage Technology, Inc.
--

CONTENTS

CHAPTER 1 OVERVIEW	1
1.1 Features	1
1.1.1 Applications.....	2
1.2 Product Lineup	3
1.3 Function Overview	4
1.3.1 RL78/F15 Functions List	4
1.4 Block Diagram	6
1.4.1 RL78/F15: Block Diagram of R5F113TL 144-pin Products	6
1.4.2 RL78/F15: Block Diagram of R5F113PL 100-pin Products	7
1.4.3 RL78/F15: Block Diagram of R5F113ML 80-pin Products.....	8
1.4.4 RL78/F15: Block Diagram of R5F113LL 64-pin Products.....	9
1.4.5 RL78/F15: Block Diagram of R5F113GL 48-pin Products.....	10
1.5 Pin Configurations	11
1.5.1 RL78/F15 Pin Configuration for 144-pin Products	11
1.5.2 RL78/F15 Pin Configuration for 100-pin Products	12
1.5.3 RL78/F15 Pin Configuration for 80-pin Products	13
1.5.4 RL78/F15 Pin Configuration for 64-pin Products	14
1.5.5 RL78/F15 Pin Configuration for 48-pin Products	15
1.6 Order Information	16
CHAPTER 2 PIN FUNCTIONS	17
2.1 Pin Function List	17
2.1.1 RL78/F15 144-pin products	18
2.1.2 RL78/F15 100-pin products	21
2.1.3 RL78/F15 80-pin products	24
2.1.4 RL78/F15 64-pin products.....	26
2.1.5 RL78/F15 48-pin products	28
2.1.6 Pins for each product (pins other than port pins).....	30
2.2 Description of Pin Functions	35
2.2.1 P00 to P07 (Port 0).....	35
2.2.2 P10 to P17 (Port 1).....	35
2.2.3 P20 to P27 (Port 2).....	37
2.2.4 P30 to P37 (Port 3).....	38
2.2.5 P40 to P47 (Port 4).....	39
2.2.6 P50 to P57 (Port 5).....	40
2.2.7 P60 to P67 (Port 6).....	41
2.2.8 P70 to P77 (Port 7).....	43

2.2.9 P80 to P87 (Port 8).....	44
2.2.10 P90 to P97 (Port 9).....	45
2.2.11 P100 to P107 (Port 10).....	45
2.2.12 P110 to P117 (Port 11).....	46
2.2.13 P120 to P127 (Port 12).....	46
2.2.14 P130 to P137 (Port 13).....	47
2.2.15 P140 to P147 (Port 14).....	48
2.2.16 P150 to P157 (Port 15).....	48
2.2.17 P160 to P167 (Port 16).....	49
2.2.18 VDD, EVDD0, EVDD1, VSS, EVSS0, EVSS1.....	49
2.2.19 RESET.....	50
2.2.20 REGC.....	50
2.3 Recommended Connection of Unused Pins.....	51
CHAPTER 3 CPU ARCHITECTURE.....	55
3.1 Memory Space.....	55
3.1.1 Internal program memory space.....	68
3.1.2 Mirror area.....	72
3.1.3 Internal data memory space.....	74
3.1.4 Special function register (SFR) area.....	75
3.1.5 Extended special function register (2nd SFR: 2nd Special Function Register) area.....	75
3.1.6 Data memory addressing.....	76
3.2 Processor Registers.....	82
3.2.1 Control registers.....	82
3.2.2 General-purpose registers.....	85
3.2.3 ES and CS registers.....	87
3.2.4 Special function registers (SFRs).....	88
3.2.5 Extended special function registers (2nd SFRs: 2nd Special Function Registers).....	95
3.3 Instruction Address Addressing.....	148
3.3.1 Relative addressing.....	148
3.3.2 Immediate addressing.....	148
3.3.3 Table indirect addressing.....	149
3.3.4 Register direct addressing.....	150
3.4 Addressing for Processing Data Addresses.....	151
3.4.1 Implied addressing.....	151
3.4.2 Register addressing.....	151
3.4.3 Direct addressing.....	152
3.4.4 Short direct addressing.....	153
3.4.5 SFR addressing.....	154
3.4.6 Register indirect addressing.....	155
3.4.7 Based addressing.....	156

3.4.8 Based indexed addressing	160
3.4.9 Stack addressing.....	161
CHAPTER 4 PORT FUNCTIONS	165
4.1 Port Functions	165
4.2 Port Configuration.....	166
4.2.1 Port 0.....	167
4.2.2 Port 1.....	174
4.2.3 Port 2.....	185
4.2.4 Port 3.....	193
4.2.5 Port 4.....	203
4.2.6 Port 5.....	213
4.2.7 Port 6.....	223
4.2.8 Port 7.....	233
4.2.9 Port 8.....	245
4.2.10 Port 9.....	255
4.2.11 Port 10.....	258
4.2.12 Port 11.....	263
4.2.13 Port 12.....	265
4.2.14 Port 13.....	272
4.2.15 Port 14.....	277
4.2.16 Port 15.....	280
4.2.17 Port 16.....	288
4.3 Registers Controlling Port Function	290
4.3.1 Port mode registers (PMxx).....	299
4.3.2 Port registers (Pxx).....	300
4.3.3 Pull-up resistor option registers (PUxx)	302
4.3.4 Port input mode registers (PIM1, PIM3, PIM5 to PIM7, PIM12)	303
4.3.5 Port output mode registers (POM1, POM6, POM7, POM12)	304
4.3.6 Port mode control registers 7, 12 (PMC7, PMC12)	305
4.3.7 A/D port configuration register (ADPC)	306
4.3.8 Port input threshold control register (PITHL0 to PITHL7, PITHL10, PITHL12, PITHL15).....	308
4.3.9 Peripheral I/O redirection register 0 (PIOR0).....	310
4.3.10 Peripheral I/O redirection register 1 (PIOR1).....	311
4.3.11 Peripheral I/O redirection register 2 (PIOR2).....	312
4.3.12 Peripheral I/O redirection register 3 (PIOR3).....	313
4.3.13 Peripheral I/O redirection register 4 (PIOR4).....	314
4.3.14 Peripheral I/O redirection register 5 (PIOR5).....	315
4.3.15 Peripheral I/O redirection register 6 (PIOR6).....	316
4.3.16 Peripheral I/O redirection register 7 (PIOR7).....	317
4.3.17 Peripheral I/O redirection register 8 (PIOR8).....	318

4.3.18 Peripheral I/O redirection register 9 (PIOR9).....	319
4.3.19 Peripheral I/O redirection register 10 (PIOR10).....	320
4.3.20 Peripheral I/O redirection register 11 (PIOR11).....	321
4.3.21 Port output slew rate register (PSRSEL)	322
4.3.22 SNOOZE status output control register 0 (PSNZCNT0).....	323
4.3.23 SNOOZE status output control register 1 (PSNZCNT1).....	324
4.3.24 SNOOZE status output control register 2 (PSNZCNT2).....	325
4.3.25 SNOOZE status output control register 3 (PSNZCNT3).....	326
4.3.26 Port mode select register (PMS)	327
4.4 Port Function Operations	328
4.4.1 Writing to I/O port	328
4.4.2 Reading from I/O port.....	328
4.4.3 Operations on I/O port.....	328
4.4.4 Connecting to external device with different potential (3 V).....	329
4.5 Settings of Port Mode Register and Output Latch When Using Alternate Function.....	331
4.6 Cautions When Using Port Function.....	341
4.6.1 Cautions on 1-bit manipulation instruction for port register n (Pn).....	341
4.6.2 Notes on specifying the pin settings	342
CHAPTER 5 CLOCK GENERATOR	343
5.1 Functions of Clock Generator	343
5.2 Configuration of Clock Generator	346
5.3 Registers Controlling Clock Generator	349
5.3.1 Clock Operation Mode Control Register (CMC)	349
5.3.2 System Clock Control Register (CKC).....	352
5.3.3 Clock Operation Status Control Register (CSC).....	354
5.3.4 Oscillation Stabilization Time Counter Status Register (OSTC)	355
5.3.5 Oscillation Stabilization Time Select Register (OSTS)	357
5.3.6 Peripheral Enable Registers 0, 1, 2 (PER0, PER1, PER2).....	359
5.3.7 Operation Speed Mode Control Register (OSMC)	365
5.3.8 High-Speed On-Chip Oscillator Frequency Select Register (HOCODIV)	366
5.3.9 High-Speed On-Chip Oscillator Trimming Register (HIOTRM).....	367
5.3.10 CAN Clock Select Register (CANCKSEL)	368
5.3.11 LIN Clock Select Register (LINCKSEL)	369
5.3.12 Clock Select Register (CKSEL)	370
5.3.13 PLL Control Register (PLLCTL).....	371
5.3.14 PLL Status Register (PLLSTS).....	373
5.3.15 fMP Clock Division Register (MDIV).....	374
5.4 System Clock Oscillator	375
5.4.1 X1 Oscillator	375
5.4.2 XT1 Oscillator.....	375

5.4.3 High-Speed On-Chip Oscillator	379
5.4.4 PLL Circuit.....	379
5.4.5 Low-Speed On-Chip Oscillator	379
5.4.6 WDT-Dedicated Low-Speed On-Chip Oscillator.....	379
5.5 Clock Generator Operation	380
5.6 Controlling Clock.....	382
5.6.1 Example of Setting High-Speed On-Chip Oscillator	382
5.6.2 Example of Setting X1 Oscillator	384
5.6.3 Example of Setting XT1 Oscillator	385
5.6.4 Examples of Setting PLL Circuit	386
5.6.5 Example of Setting Low-Speed On-Chip Oscillator	388
5.6.6 CPU Clock Status Transition Diagram	389
5.6.7 Conditions before Changing CPU Clock and Processing after Changing CPU Clock	393
5.6.8 Time Required for Switchover of CPU Clock, Main System/PLL Select Clock, and Main System Clock	400
5.6.9 Conditions Before Clock Oscillation Is Stopped	402
5.7 Usage Notes.....	403
5.7.1 CPU/Peripheral Hardware Clock	403
5.7.2 High-Speed On-Chip Oscillator	403
CHAPTER 6 TIMER ARRAY UNIT.....	404
6.1 Functions of Timer Array Unit.....	405
6.1.1 Independent channel operation function	405
6.1.2 Simultaneous channel operation function.....	406
6.1.3 8-bit timer operation function (TAU0 and TAU1 channels 1 and 3 only).....	407
6.1.4 LIN-bus supporting function (channel 7 of unit 0 only)	408
6.2 Configuration of Timer Array Unit	409
6.2.1 Timer count register mn (TCRmn).....	415
6.2.2 Timer data register mn (TDRmn).....	417
6.3 Registers Controlling Timer Array Unit.....	419
6.3.1 Peripheral enable register 0 (PER0).....	420
6.3.2 Peripheral enable register 1 (PER1).....	421
6.3.3 Timer clock select register m (TPSm)	422
6.3.4 Timer mode register mn (TMRmn)	425
6.3.5 Timer status register mn (TSRmn)	432
6.3.6 Timer channel enable status register m (TEm).....	433
6.3.7 Timer channel start register m (TSm).....	434
6.3.8 Timer channel stop register m (TTm)	436
6.3.9 Timer input select register 0 (TIS0)	437
6.3.10 Timer input select register 1 (TIS1)	438
6.3.11 Timer input select register 2 (TIS2)	439

6.3.12	Timer output enable register m (TOEm)	440
6.3.13	Timer output register m (TOM)	441
6.3.14	Timer output level register m (TOLm)	442
6.3.15	Timer output mode register m (TOMm)	443
6.3.16	Noise filter enable registers 1, 2, 3 (NFEN1, NFEN2, NFEN3)	444
6.3.17	Port mode registers 0, 1, 3, 4, 5, 6, 7, 11, 12, 14 (PM0, PM1, PM3, PM4, PM5, PM6, PM7, PM11, PM12, PM14)	448
6.3.18	PWM output delay control register 1 (PWMDLY1)	451
6.3.19	PWM output delay control register 2 (PWMDLY2)	452
6.3.20	PWM output delay control register 3 (PWMDLY3: 144-pin only)	453
6.3.21	Unit select register (UTSEL: 144-pin only)	454
6.4	Basic Rules of Timer Array Unit	455
6.4.1	Basic rules of simultaneous channel operation function	455
6.4.2	Basic rules of 8-bit timer operation function (unit0, 1: channels 1 and 3 only)	457
6.5	Operation Timing of Counter	458
6.5.1	Count clock (FTCLK)	458
6.5.2	Start timing of counter	460
6.5.3	Operation of counter	461
6.6	Channel Output (TOMn pin) Control	466
6.6.1	TOMn pin output circuit configuration	466
6.6.2	TOMn Pin Output Setting	467
6.6.3	Cautions on Channel Output Operation	468
6.6.4	Collective manipulation of TOMn bit	473
6.6.5	Timer Interrupt and TOMn Pin Output at Operation Start	474
6.7	Independent Channel Operation Function of Timer Array Unit	475
6.7.1	Operation as interval timer/square wave output	475
6.7.2	Operation as external event counter	481
6.7.3	Operation as frequency divider	486
6.7.4	Operation as input pulse interval measurement	492
6.7.5	Operation as input signal high-/low-level width measurement	497
6.7.6	Operation as delay counter	502
6.8	Simultaneous Channel Operation Function of Timer Array Unit	507
6.8.1	Operation as one-shot pulse output function	507
6.8.2	Operation as PWM function	515
6.8.3	Operation as multiple PWM output function	522
6.9	Cautions When Using Timer Array Unit	531
6.9.1	Cautions When Using Timer output	531
6.9.2	Caution for register access	531
CHAPTER 7	TIMER RJ	532
7.1	Overview	532

7.2 I/O Pins	533
7.3 Registers	534
7.3.1 Peripheral enable register 1 (PER1).....	535
7.3.2 Operation speed mode control register (OSMC)	536
7.3.3 Clock Select Register (CKSEL)	536
7.3.4 Timer RJ Counter Register 0 (TRJ0), Timer RJ Reload Register	537
7.3.5 Timer RJ Control Register 0 (TRJCR0).....	538
7.3.6 Timer RJ I/O Control Register 0 (TRJIOC0).....	540
7.3.7 Timer RJ Mode Register 0 (TRJMR0)	542
7.3.8 Timer RJ Event Pin Select Register 0 (TRJISR0)	543
7.3.9 Port mode registers 1, 4 (PM1, PM4)	544
7.4 Operation.....	545
7.4.1 Reload Register and Counter Rewrite Operation	545
7.4.2 Timer Mode	546
7.4.3 Pulse Output Mode.....	547
7.4.4 Event Counter Mode	548
7.4.5 Pulse Width Measurement Mode	550
7.4.6 Pulse Period Measurement Mode	551
7.4.7 Coordination with Event Link Controller (ELC)	552
7.4.8 Output Settings for Each Mode	552
7.5 Notes on Timer RJ.....	553
7.5.1 Count Operation Start and Stop Control.....	553
7.5.2 Access to Flags (Bits TEDGF and TUNDF in TRJCR0 Register).....	553
7.5.3 Access to Counter Register.....	553
7.5.4 When Changing Mode.....	553
7.5.5 Procedure for Setting Pins TRJ00 and TRJIO0	554
7.5.6 When Timer RJ is not Used.....	554
7.5.7 When Timer RJ Operating Clock is Stopped.....	554
7.5.8 Procedure for Setting STOP Mode (Event Counter Mode).....	554
7.5.9 Functional Restriction in STOP Mode (Event Counter Mode Only)	555
7.5.10 When Count is Forcibly Stopped by TSTOP Bit	555
7.5.11 Digital Filter	555
7.5.12 When Selecting fIL as Count Source.....	555
CHAPTER 8 TIMER RD.....	556
8.1 Overview.....	556
8.2 Registers	558
8.2.1 Peripheral enable register 1 (PER1).....	559
8.2.2 Clock Select Register (CKSEL)	560
8.2.3 Timer RD ELC Register (TRDELIC)	561
8.2.4 Timer RD Start Register (TRDSTR)	562

8.2.5	Timer RD Mode Register (TRDMR)	563
8.2.6	Timer RD PWM Function Select Register (TRDPMR)	564
8.2.7	Timer RD Function Control Register (TRDFCR)	565
8.2.8	Timer RD Output Master Enable Register 1 (TRDOER1)	567
8.2.9	Timer RD Output Master Enable Register 2 (TRDOER2)	568
8.2.10	Timer RD Output Control Register (TRDOCR)	569
8.2.11	Timer RD Digital Filter Function Select Register i (TRDDFi) (i = 0 or 1)	572
8.2.12	Timer RD Control Register i (TRDCRi) (i = 0 or 1)	574
8.2.13	Timer RD I/O Control Register Ai (TRDIORAi) (i = 0 or 1)	579
8.2.14	Timer RD I/O Control Register Ci (TRDIORCi) (i = 0 or 1)	581
8.2.15	Timer RD Status Register i (TRDSRi) (i = 0 or 1)	583
8.2.16	Timer RD Interrupt Enable Register i (TRDIERi) (i = 0 or 1)	587
8.2.17	Timer RD PWM Function Output Level Control Register i (TRDPOCRi) (i = 0 or 1)	588
8.2.18	Timer RD Counter i (TRDi) (i = 0 or 1)	589
8.2.19	Timer RD General Registers Ai, Bi, Ci, and Di (TRDGRAi, TRDGRBi, TRDGRCi, TRDGRDi) (i = 0 or 1)	591
8.2.20	PWM Output Delay Control Register 0 (PWMDLY0)	600
8.2.21	Port mode registers (PM1, PM3, PM12)	601
8.3	Operation	602
8.3.1	Items Common to Multiple Modes	602
8.3.2	Input Capture Function	613
8.3.3	Output Compare Function	617
8.3.4	PWM Function	622
8.3.5	Reset Synchronous PWM Mode	626
8.3.6	Complementary PWM Mode	629
8.3.7	PWM3 Mode	633
8.4	Timer RD Interrupt	636
8.5	Notes on Timer RD	638
8.5.1	SFR Read/Write Access	638
8.5.2	Mode Switching	638
8.5.3	Count Source	639
8.5.4	Input Capture Function	639
8.5.5	Procedure for Setting Pins TRDIOAi, TRDIOBi, TRDIOCi, and TRDIODi (i = 0 or 1)	639
8.5.6	External clock TRDCLK0	639
8.5.7	Reset Synchronous PWM Mode	640
8.5.8	Complementary PWM Mode	640
CHAPTER 9	REAL-TIME CLOCK	645
9.1	Functions of Real-time Clock	645
9.2	Configuration of Real-time Clock	645
9.3	Registers Controlling Real-time Clock	647

9.3.1 Peripheral enable register 0 (PER0).....	648
9.3.2 Operation speed mode control register (OSMC)	649
9.3.3 Timer input select register 1 (TIS1)	650
9.3.4 Timer input select register 2 (TIS2)	651
9.3.5 RTC clock select register (RTCCL)	652
9.3.6 Real-time clock control register 0 (RTCC0)	653
9.3.7 Real-time clock control register 1 (RTCC1)	654
9.3.8 Second count register (SEC).....	656
9.3.9 Minute count register (MIN)	656
9.3.10 Hour count register (HOUR)	657
9.3.11 Day count register (DAY).....	659
9.3.12 Week count register (WEEK).....	660
9.3.13 Month count register (MONTH)	661
9.3.14 Year count register (YEAR)	661
9.3.15 Watch error correction register (SUBCUD).....	662
9.3.16 16-bit watch error correction register (SUBCUDW)	663
9.3.17 Alarm minute register (ALARMWM)	664
9.3.18 Alarm hour register (ALARMWH)	664
9.3.19 Alarm week register (ALARMWW)	664
9.4 Real-time Clock Operation	666
9.4.1 Starting operation of real-time clock	666
9.4.2 Shifting to HALT/STOP mode after starting operation	667
9.4.3 Reading/writing real-time clock.....	668
9.4.4 Setting alarm of real-time clock	670
9.4.5 1 Hz output of real-time clock	671
9.4.6 Example of watch error correction of real-time clock	672
CHAPTER 10 CLOCK OUTPUT/BUZZER OUTPUT CONTROLLER.....	675
10.1 Functions of Clock Output/Buzzer Output Controller	675
10.2 Configuration of Clock Output/Buzzer Output Controller	677
10.3 Registers Controlling Clock Output/Buzzer Output Controller	677
10.3.1 Clock output select register 0 (CKS0)	677
10.3.2 Clock Select Register (CKSEL)	679
10.3.3 Port mode register 14 (PM14)	680
10.4 Operations of Clock Output/Buzzer Output Controller	681
10.4.1 Operation as output pin	681
10.5 Notes on Clock Output/Buzzer Output Controller	681
CHAPTER 11 WATCHDOG TIMER	682
11.1 Functions of Watchdog Timer.....	682
11.2 Configuration of Watchdog Timer	683

11.3 Register Controlling Watchdog Timer	684
11.3.1 Watchdog timer enable register (WDTE).....	684
11.4 Operation of Watchdog Timer	685
11.4.1 Controlling operation of watchdog timer.....	685
11.4.2 Setting overflow time of watchdog timer.....	686
11.4.3 Setting window open period of watchdog timer.....	687
11.4.4 Setting watchdog timer interval interrupt.....	688
 CHAPTER 12 A/D CONVERTER	 689
12.1 Function of A/D Converter	690
12.2 Configuration of A/D Converter	692
12.3 Registers Used in A/D Converter	694
12.3.1 Peripheral enable register 0 (PER0).....	695
12.3.2 A/D converter mode register 0 (ADM0).....	696
12.3.3 A/D converter mode register 1 (ADM1).....	705
12.3.4 A/D converter mode register 2 (ADM2).....	706
12.3.5 10-bit A/D conversion result register (ADCR).....	709
12.3.6 8-bit A/D conversion result register (ADCRH).....	710
12.3.7 Analog input channel specification register (ADS).....	711
12.3.8 Conversion result comparison upper limit setting register (ADUL).....	713
12.3.9 Conversion result comparison lower limit setting register (ADLL).....	713
12.3.10 A/D test register (ADTES).....	714
12.3.11 A/D port configuration register (ADPC).....	715
12.3.12 Port mode control registers 7 and 12 (PMC7, PMC12).....	717
12.3.13 Port mode registers 3, 7 to 10, and 12 (PM3, PM7 to PM10, PM12).....	718
12.4 A/D Converter Conversion Operations	720
12.5 Input Voltage and Conversion Results	722
12.6 A/D Converter Operation Modes	723
12.6.1 Software trigger mode (select mode, sequential conversion mode).....	723
12.6.2 Software trigger mode (select mode, one-shot conversion mode).....	724
12.6.3 Software trigger mode (scan mode, sequential conversion mode).....	725
12.6.4 Software trigger mode (scan mode, one-shot conversion mode).....	726
12.6.5 Hardware trigger no-wait mode (select mode, sequential conversion mode).....	727
12.6.6 Hardware trigger no-wait mode (select mode, one-shot conversion mode).....	728
12.6.7 Hardware trigger no-wait mode (scan mode, sequential conversion mode).....	729
12.6.8 Hardware trigger no-wait mode (scan mode, one-shot conversion mode).....	730
12.6.9 Hardware trigger wait mode (select mode, sequential conversion mode).....	731
12.6.10 Hardware trigger wait mode (select mode, one-shot conversion mode).....	732
12.6.11 Hardware trigger wait mode (scan mode, sequential conversion mode).....	733
12.6.12 Hardware trigger wait mode (scan mode, one-shot conversion mode).....	734
12.7 A/D Converter Setup Flowchart	735

12.7.1	Setting up software trigger mode.....	736
12.7.2	Setting up hardware trigger no-wait mode.....	737
12.7.3	Setting up hardware trigger wait mode.....	738
12.7.4	Setup when using temperature sensor (example for software trigger mode and one-shot conversion mode).....	739
12.7.5	Setting up test mode.....	740
12.8	SNOOZE Mode Function.....	741
12.8.1	If an interrupt is generated after A/D conversion ends.....	742
12.8.2	If no interrupt is generated after A/D conversion ends.....	743
12.9	How to Read A/D Converter Characteristics Table.....	744
12.10	Cautions for A/D Converter.....	746
CHAPTER 13	D/A CONVERTER.....	750
13.1	Function of D/A Converter.....	750
13.2	Configuration of D/A Converter.....	751
13.3	Registers of D/A Converter.....	752
13.3.1	A/D Port Configuration Register (ADPC).....	753
13.3.2	Peripheral Enable Register 1 (PER1).....	754
13.3.3	D/A Converter Mode Register (DAM).....	755
13.3.4	D/A Converter Mode Register 2 (DAM2).....	756
13.3.5	D/A Conversion Value Setting Register 0 (DACS0).....	757
13.3.6	Port Mode Register 8 (PM8).....	758
13.4	Operations of D/A Converter.....	760
13.4.1	Operation in Normal Mode.....	760
13.4.2	Operation in Real-Time Output Mode.....	761
13.5	Cautions for D/A Converter.....	762
CHAPTER 14	COMPARATOR.....	763
14.1	Overview.....	763
14.2	Registers to Control the Comparator.....	765
14.2.1	Peripheral Enable Register 1 (PER1).....	765
14.2.2	Comparator Control Register (CMPCTL).....	766
14.2.3	Comparator I/O Select Register (CMPSEL).....	768
14.2.4	Comparator Output Monitor Register (CMPMON).....	769
14.2.5	A/D port configuration register (ADPC).....	770
14.2.6	D/A converter mode register 2 (DAM2).....	771
14.2.7	Port mode register 4 (PM4).....	772
14.2.8	Port mode register (PM8).....	773
14.3	Operation.....	774
14.3.1	Noise Filter.....	775
14.3.2	Comparator Interrupts.....	776

14.3.3	Comparator ELC Event Output.....	776
14.3.4	Comparator Pin Output	776
14.3.5	Stopping or Supplying Comparator Clock.....	776
14.3.6	Comparator Setting Flowchart.....	777
CHAPTER 15 SERIAL ARRAY UNIT.....		779
15.1	Functions of Serial Array Unit.....	780
15.1.1	3-wire serial I/O (CSI00, CSI01, CSI10, CSI11, CSI20, CSI21)	780
15.1.2	UART (UART0, UART1, UART2)	781
15.1.3	Simplified I ² C (IIC00, IIC01, IIC10, IIC11)	782
15.2	Configuration of Serial Array Unit	783
15.3	Registers Controlling Serial Array Unit.....	790
15.3.1	Peripheral enable register 0 (PER0).....	791
15.3.2	Peripheral enable register 1 (PER1).....	792
15.3.3	Serial clock select register m (SPSm)	793
15.3.4	Serial mode register mn (SMRmn)	794
15.3.5	Serial communication operation setting register mn (SCRmn)	796
15.3.6	Higher 7 bits of the serial data register mn (SDRmn)	799
15.3.7	Serial flag clear trigger register mn (SIRmn)	800
15.3.8	Serial status register mn (SSRmn)	801
15.3.9	Serial channel start register m (SSm).....	803
15.3.10	Serial channel stop register m (STm)	804
15.3.11	Serial channel enable status register m (SEm)	805
15.3.12	Serial output enable register m (SOEm).....	806
15.3.13	Serial output register m (SOm).....	807
15.3.14	Serial output level register m (SOLm)	808
15.3.15	Serial slave select enable register m (SSEm)	809
15.3.16	Serial Standby control register m (SSCm).....	810
15.3.17	Input switch control register (ISC)	811
15.3.18	Noise filter enable register 0 (NFEN0).....	812
15.3.19	Unit Select Register (UTSEL).....	813
15.3.20	Port input mode registers 1, 3, 5 to 7, 12 (PIM1, PIM3, PIM5 to PIM7, PIM12).....	814
15.3.21	Port output mode registers 1, 6, 7, 12 (POM1, POM6, POM7, POM12)	815
15.3.22	Port mode registers 0 to 7, 12, 15 (PM0 to PM7, PM12, PM15).....	816
15.4	Operation stop mode	818
15.4.1	Stopping the operation by units	819
15.4.2	Stopping the operation by channels	820
15.5	Operation of 3-Wire Serial I/O (CSI00, CSI01, CSI10, CSI11, CSI20, CSI21) Communication.....	822
15.5.1	Master transmission	824
15.5.2	Master reception.....	837
15.5.3	Master transmission/reception.....	850

15.5.4	Slave transmission	865
15.5.5	Slave reception.....	880
15.5.6	Slave transmission/reception.....	890
15.5.7	SNOOZE mode function.....	905
15.5.8	Calculating transfer clock frequency.....	909
15.5.9	Procedure for processing errors that occurred during 3-wire serial I/O (CSI00, CSI01, CSI10, CSI11, CSI20, CSI21) communication	911
15.6	Clock Synchronous Serial Communication with SPI Function	912
15.6.1	Master transmission	916
15.6.2	Master reception.....	926
15.6.3	Master transmission/reception.....	935
15.6.4	Slave transmission	945
15.6.5	Slave reception.....	955
15.6.6	Slave transmission/reception.....	962
15.6.7	Calculating transfer clock frequency.....	972
15.6.8	Procedure for processing errors that occurred during clock synchronous serial communication with SPI function.....	974
15.7	Operation of UART (UART0, UART1, UART2) Communication	975
15.7.1	UART transmission	977
15.7.2	UART reception.....	992
15.7.3	Calculating baud rate	1002
15.7.4	Procedure for processing errors that occurred during UART (UART0, UART1, UART2) communication	1006
15.8	LIN Communication Operation	1007
15.8.1	LIN transmission.....	1007
15.8.2	LIN reception	1010
15.9	Operation of Simplified I²C (IIC00, IIC01, IIC10, IIC11) Communication.....	1016
15.9.1	Address field transmission.....	1019
15.9.2	Data transmission.....	1025
15.9.3	Data reception	1030
15.9.4	Stop condition generation.....	1035
15.9.5	Calculating transfer rate	1037
15.9.6	Procedure for processing errors that occurred during simplified I ² C (IIC00, IIC01, IIC10, IIC11) communication	1040
CHAPTER 16	SERIAL INTERFACE IICA	1041
16.1	Functions of Serial Interface IICA.....	1041
16.2	Configuration of Serial Interface IICA	1044
16.3	Registers Controlling Serial Interface IICA.....	1047
16.3.1	Peripheral enable register 0 (PER0).....	1047
16.3.2	IICA control register 00 (IICCTL00)	1048

16.3.3 IICA status register 0 (IICS0).....	1053
16.3.4 IICA flag register 0 (IICF0).....	1055
16.3.5 IICA control register 01 (IICCTL01)	1057
16.3.6 IICA low-level width setting register 0 (IICWLO)	1059
16.3.7 IICA high-level width setting register 0 (IICWHO)	1059
16.3.8 Port mode register 6 (PM6)	1060
16.3.9 Port output mode register (POM6)	1061
16.4 I²C Bus Mode Functions	1062
16.4.1 Pin configuration.....	1062
16.4.2 Setting transfer clock by using IICWLO and IICWHO registers.....	1063
16.5 I²C Bus Definitions and Control Methods	1065
16.5.1 Start conditions.....	1065
16.5.2 Addresses	1066
16.5.3 Transfer direction specification.....	1066
16.5.4 Acknowledge (ACK)	1067
16.5.5 Stop condition.....	1068
16.5.6 Wait	1069
16.5.7 Canceling wait	1071
16.5.8 Interrupt request (INTIICA0) generation timing and wait control.....	1072
16.5.9 Address match detection method.....	1073
16.5.10 Error detection.....	1073
16.5.11 Extension code.....	1073
16.5.12 Arbitration.....	1074
16.5.13 Wakeup function.....	1076
16.5.14 Communication reservation.....	1079
16.5.15 Cautions	1083
16.5.16 Communication operations.....	1084
16.5.17 Timing of I ² C interrupt request (INTIICA0) occurrence.....	1091
16.6 Timing Charts	1112
CHAPTER 17 LIN/UART MODULE (RLIN3).....	1127
17.1 Overview.....	1127
17.2 Register Descriptions	1132
17.2.1 LIN Registers for Master Mode.....	1134
17.2.2 LIN Registers for Slave Mode.....	1162
17.2.3 Registers for UART	1190
17.3 Modes	1220
17.3.1 LIN Reset Mode	1222
17.3.2 LIN Mode.....	1223
17.3.3 UART Mode.....	1225
17.3.4 LIN Self-Test Mode	1225

17.4 LIN Mode	1226
17.4.1 Operation Overview.....	1226
17.4.2 Data Transmission/Reception	1234
17.4.3 Transmission/Reception Data Buffering	1236
17.4.4 Wake-up Transmission/Reception.....	1239
17.4.5 Status	1241
17.4.6 Error Status	1243
17.5 UART Mode	1249
17.5.1 Operation Overview.....	1249
17.5.2 Data Transmission/Reception	1264
17.5.3 Buffer Processing of Transmission Data	1266
17.5.4 Status	1267
17.5.5 Error Status	1268
17.6 LIN Self-Test Mode	1269
17.6.1 Change to LIN Self-Test Mode	1270
17.6.2 Transmission in LIN Master Self-Test Mode.....	1270
17.6.3 Reception in LIN Master Self-Test Mode.....	1271
17.6.4 Transmission in LIN Slave Self-Test Mode.....	1272
17.6.5 Reception in LIN Slave Self-Test Mode.....	1273
17.6.6 Terminating LIN Self-Test Mode.....	1274
17.7 Baud Rate Generator.....	1275
17.7.1 LIN Master Mode.....	1275
17.7.2 LIN Slave Mode.....	1277
17.7.3 UART Mode.....	1279
17.8 Noise Filter	1280
17.9 Interrupts.....	1282
CHAPTER 18 CAN INTERFACE (RS-CAN LITE)	1283
18.1 Overview.....	1283
18.2 Input/Output Pins	1286
18.3 Register Descriptions	1287
18.3.1 CANi Bit Configuration Register L (CiCFGL) (i = 0, 1).....	1324
18.3.2 CANi Bit Configuration Register H (CiCFGH) (i = 0, 1).....	1324
18.3.3 CANi Control Register L (CiCTRL) (i = 0, 1).....	1326
18.3.4 CANi Control Register H (CiCTRH) (i = 0, 1).....	1328
18.3.5 CANi Status Register L (CiSTSL) (i = 0, 1).....	1330
18.3.6 CANi Status Register H (CiSTSH) (i = 0, 1)	1332
18.3.7 CANi Error Flag Register L (CiERFLL) (i = 0, 1).....	1333
18.3.8 CANi Error Flag Register H (CiERFLH) (i = 0, 1).....	1336
18.3.9 CAN Global Configuration Register L (GCFGL)	1337
18.3.10 CAN Global Configuration Register H (GCFGH)	1339

18.3.11	CAN Global Control Register L (GCTRL)	1340
18.3.12	CAN Global Control Register H (GCTRH)	1341
18.3.13	CAN Global Status Register (GSTS)	1342
18.3.14	CAN Global Error Flag Register (GERFLL)	1343
18.3.15	CAN Global Transmit Interrupt Status Register (GTINTSTS)	1344
18.3.16	CAN Timestamp Register (GTSC)	1346
18.3.17	CAN Receive Rule Number Configuration Register (GAFLCFG)	1347
18.3.18	CAN Receive Rule Entry Register jAL (GAFLIDLj) (j = 0 to 39)	1348
18.3.19	CAN Receive Rule Entry Register jAH (GAFLIDHj) (j = 0 to 39)	1349
18.3.20	CAN Receive Rule Entry Register jBL (GAFLMLj) (j = 0 to 39)	1350
18.3.21	CAN Receive Rule Entry Register jBH (GAFLMHj) (j = 0 to 39)	1351
18.3.22	CAN Receive Rule Entry Register jCL (GAFLPLj) (j = 0 to 39)	1352
18.3.23	CAN Receive Rule Entry Register jCH (GAFLPHj) (j = 0 to 39)	1354
18.3.24	CAN Receive Buffer Number Configuration Register (RMNB)	1355
18.3.25	CAN Receive Buffer Receive Complete Flag Register 0, 1 (RMND0, 1)	1356
18.3.26	CAN Receive Buffer Register nAL (RMIDLn) (n = 0 to 31)	1357
18.3.27	CAN Receive Buffer Register nAH (RMIDHn) (n = 0 to 31)	1358
18.3.28	CAN Receive Buffer Register nBL (RMTSn) (n = 0 to 31)	1359
18.3.29	CAN Receive Buffer Register nBH (RMPTRn) (n = 0 to 31)	1360
18.3.30	CAN Receive Buffer Register nCL (RMDF0n) (n = 0 to 31)	1361
18.3.31	CAN Receive Buffer Register nCH (RMDF1n) (n = 0 to 31)	1362
18.3.32	CAN Receive Buffer Register nDL (RMDF2n) (n = 0 to 31)	1363
18.3.33	CAN Receive Buffer Register nDH (RMDF3n) (n = 0 to 31)	1364
18.3.34	CAN Receive FIFO Control Register m (RFCCm) (m = 0 to 3)	1365
18.3.35	CAN Receive FIFO Status Register m (RFSTSm) (m = 0 to 3)	1367
18.3.36	CAN Receive FIFO Pointer Control Register m (RFPCTRm) (m = 0 to 3)	1369
18.3.37	CAN Receive FIFO Access Register mAL (RFIDLm) (m = 0 to 3)	1370
18.3.38	CAN Receive FIFO Access Register mAH (RFIDHm) (m = 0 to 3)	1371
18.3.39	CAN Receive FIFO Access Register mBL (RFTSm) (m = 0 to 3)	1372
18.3.40	CAN Receive FIFO Access Register mBH (RFPTRm) (m = 0 to 3)	1373
18.3.41	CAN Receive FIFO Access Register mCL (RFDF0m) (m = 0 to 3)	1374
18.3.42	CAN Receive FIFO Access Register mCH (RFDF1m) (m = 0 to 3)	1375
18.3.43	CAN Receive FIFO Access Register mDL (RFDF2m) (m = 0 to 3)	1376
18.3.44	CAN Receive FIFO Access Register mDH (RFDF3m) (m = 0 to 3)	1377
18.3.45	CANi Transmit/Receive FIFO Control Register kL (CFCCLK) (i = 0, 1, k = 0, 1)	1378
18.3.46	CANi Transmit/Receive FIFO Control Register kH (CFCCHK) (i = 0, 1, k = 0, 1)	1381
18.3.47	CANi Transmit/Receive FIFO Status Register k (CFSTSk) (i = 0, 1, k = 0, 1)	1383
18.3.48	CANi Transmit/Receive FIFO Pointer Control Register k (CFPCTRk) (i = 0, 1, k = 0, 1)	1386
18.3.49	CANi Transmit/Receive FIFO Access Register kAL (CFIDLk) (i = 0, 1, k = 0, 1)	1387
18.3.50	CANi Transmit/Receive FIFO Access Register kAH (CFIDHk) (i = 0, 1, k = 0, 1)	1388
18.3.51	CANi Transmit/Receive FIFO Access Register kBL (CFTSk) (i = 0, 1, k = 0, 1)	1389

18.3.52	CANi Transmit/Receive FIFO Access Register kBH (CFPTRk) (i = 0, 1, k = 0, 1)	1390
18.3.53	CANi Transmit/Receive FIFO Access Register kCL (CFDF0k) (i = 0, 1, k = 0, 1)	1391
18.3.54	CANi Transmit/Receive FIFO Access Register kCH (CFDF1k) (i = 0, 1, k = 0, 1).....	1392
18.3.55	CANi Transmit/Receive FIFO Access Register kDL (CFDF2k) (i = 0, 1, k = 0, 1)	1393
18.3.56	CANi Transmit/Receive FIFO Access Register kDH (CFDF3k) (i = 0, 1, k = 0, 1).....	1394
18.3.57	Receive FIFO Message Lost Status Register (RFMSTS).....	1395
18.3.58	CAN Transmit/Receive FIFO Message Lost Status Register (CFMSTS)	1396
18.3.59	CAN Receive FIFO Interrupt Status Register (RFISTS).....	1397
18.3.60	CAN Transmit/Receive FIFO Receive Interrupt Status Register (CFISTS)	1398
18.3.61	CANi Transmit Buffer Control Register p (TMCp) (i = 0, 1, p = 0 to 7)	1399
18.3.62	CANi Transmit Buffer Status Register p (TMSTSp) (i = 0, p = 0 to 3; i = 1, p = 4 to 7).....	1401
18.3.63	CAN Transmit Buffer Transmit Request Status Register (TMTRSTS)	1402
18.3.64	CAN Transmit Buffer Transmit Complete Status Register (TMTCASTS).....	1403
18.3.65	CAN Transmit Buffer Transmit Abort Status Register (TMTASTS)	1404
18.3.66	CAN Transmit Buffer Interrupt Enable Register (TMIEC)	1405
18.3.67	CANi Transmit Buffer Register pAL (TMIDLp) (i = 0, 1, p = 0 to 7).....	1406
18.3.68	CANi Transmit Buffer Register pAH (TMIDHp) (i = 0, 1, p = 0 to 7)	1407
18.3.69	CANi Transmit Buffer Register pBH (TMPTRp) (i = 0, 1, p = 0 to 7)	1408
18.3.70	CANi Transmit Buffer Register pCL (TMDF0p) (i = 0, 1, p = 0 to 7)	1409
18.3.71	CANi Transmit Buffer Register pCH (TMDF1p) (i = 0, 1, p = 0 to 7).....	1410
18.3.72	CANi Transmit Buffer Register pDL (TMDF2p) (i = 0, 1, p = 0 to 7)	1411
18.3.73	CANi Transmit Buffer Register pDH (TMDF3p) (i = 0, 1, p = 0 to 7).....	1412
18.3.74	CANi Transmit History Buffer Control Register (THLCCi) (i = 0, 1)	1413
18.3.75	CANi Transmit History Buffer Status Register (THLSTSi) (i = 0, 1).....	1414
18.3.76	CANi Transmit History Buffer Access Register (THLACCi) (i = 0, 1)	1415
18.3.77	CANi Transmit History Buffer Pointer Control Register (THLPCTRI) (i = 0, 1)	1416
18.3.78	CAN Global RAM Window Control Register (GRWCR).....	1417
18.3.79	CAN Global Test Configuration Register (GTSTCFG)	1418
18.3.80	CAN Global Test Control Register (GTSTCTRL)	1419
18.3.81	CAN Global Test Protection Unlock Register (GLOCKK).....	1420
18.3.82	CAN RAM Test Register r (RPGACCr) (r = 0 to 127)	1421
18.4	CAN Modes	1422
18.4.1	Global Modes	1422
18.4.2	Channel Modes	1424
18.5	Reception Function	1429
18.5.1	Data Processing Using the Receive Rule Table.....	1429
18.5.2	Timestamp.....	1431
18.6	Transmission Functions	1432
18.6.1	Transmit Priority Determination	1432
18.6.2	Transmission Using Transmit Buffers.....	1433
18.6.3	Transmission Using FIFO Buffers	1434

18.6.4 Transmit History Function.....	1436
18.7 Gateway Function.....	1437
18.8 Test Function	1438
18.8.1 Standard Test Mode.....	1438
18.8.2 Listen-Only Mode	1438
18.8.3 Self-Test Mode (Loopback Mode)	1439
18.8.4 RAM Test	1440
18.8.5 Inter-Channel Communication Test.....	1440
18.9 Interrupt.....	1441
18.10 RAM Window.....	1445
18.11 Initial Settings	1446
18.11.1 Clock Setting	1448
18.11.2 Bit Timing Setting	1448
18.11.3 Communication Speed Setting.....	1449
18.11.4 Receive Rule Setting.....	1451
18.11.5 Buffer Setting.....	1452
18.12 Reception Procedure	1454
18.12.1 Receive Buffer Reading Procedure	1454
18.12.2 FIFO Buffer Reading Procedure.....	1456
18.13 Transmission Procedure	1459
18.13.1 Procedure for Transmission from Transmit Buffers	1459
18.13.2 Procedure for Transmission from Transmit/Receive FIFO Buffers.....	1462
18.13.3 Transmit History Buffer Reading Procedure	1465
18.14 Test Settings	1466
18.14.1 Self-Test Mode Setting Procedure	1466
18.14.2 Protection Unlock Procedure.....	1467
18.14.3 RAM Test Setting Procedure.....	1468
18.14.4 Inter-Channel Communication Test Setting Procedure	1469
18.15 Notes on the CAN Module	1470
CHAPTER 19 IEBus Controller (IEBB).....	1471
19.1 RL78/F15 IEBB Features.....	1471
19.2 Configuration of The IEBus Controller (IEBB)	1472
19.2.1 Function overview	1472
19.2.2 Block diagram.....	1473
19.3 Registers of IEBus Controller (IEBB)	1474
19.3.1 Peripheral Enable Register 2 (PER2).....	1475
19.3.2 IEBB0 bus control register (IEBB0BCR).....	1476
19.3.3 IEBB0 power save register (IEBB0PSR)	1480
19.3.4 IEBB0 unit address register (IEBB0UAR).....	1481
19.3.5 IEBB0 slave address register (IEBB0SAR)	1481

19.3.6	IEBB0 partner address register (IEBB0PAR)	1482
19.3.7	IEBB0 reception slave address register (IEBB0RSA).....	1482
19.3.8	IEBB0 control data register (IEBB0CDR)	1483
19.3.9	IEBB0 message length register (IEBB0DLR)	1483
19.3.10	IEBB0 transmission control data register (IEBB0TCD).....	1484
19.3.11	IEBB0 reception control data register (IEBB0RCD).....	1485
19.3.12	IEBB0 transmission message length register (IEBB0TDL).....	1486
19.3.13	IEBB0 reception message length register (IEBB0RDL).....	1487
19.3.14	IEBB0 clock selection register (IEBB0CKS)	1488
19.3.15	IEBB0 slave status register (IEBB0SSR).....	1489
19.3.16	IEBB0 unit status register (IEBB0USR)	1491
19.3.17	IEBB0 interrupt status register (IEBB0ISR)	1494
19.3.18	IEBB0 error status register (IEBB0ESR)	1498
19.3.19	IEBB0 field status register (IEBB0FSR).....	1502
19.3.20	IEBB0 success count register (IEBB0SCR).....	1504
19.3.21	IEBB0 communication count register (IEBB0CCR)	1505
19.3.22	IEBB0 status clear register 0 (IEBB0STC0)	1506
19.3.23	IEBB0 data register (IEBB0DR).....	1507
19.3.24	IEBB0 data polarity select register (IEBB0DPS).....	1508
19.4	Interrupt Operations of IEBus Controller (IEBB).....	1509
19.4.1	Interrupt request signals	1509
19.4.2	Interrupt judgment examples	1510
19.5	Operation of IEBus Controller (IEBB).....	1512
19.5.1	Initial settings.....	1512
19.5.2	Master transmission	1512
19.5.3	Master reception.....	1514
19.5.4	Slave transmission	1516
19.5.5	Slave reception.....	1519
19.6	Setup Procedures of IEBus Controller (IEBB).....	1521
19.6.1	Master transmission	1521
19.6.2	Master reception.....	1522
19.6.3	Slave transmission	1523
19.6.4	Slave reception.....	1526
19.7	Functions of IEBus Controller (IEBB)	1527
19.7.1	IEBus communication protocol	1527
19.7.2	Determination of bus mastership (arbitration).....	1528
19.7.3	Communication mode	1528
19.7.4	Communication address.....	1528
19.7.5	Broadcast communication	1529
19.7.6	IEBus transfer format	1529
19.7.7	Transfer data.....	1534

19.7.8 Bit format	1536
19.8 Notes on IEBus controller (IEBB)	1536
19.8.1 IEBB0 operating clock	1536
CHAPTER 20 DTC	1537
20.1 Overview.....	1537
20.2 Registers	1539
20.2.1 Allocation of DTC Control Data Area and DTC Vector Table	1541
20.2.2 DTC Control Data Allocation	1542
20.2.3 DTC Vector Table.....	1543
20.2.4 Peripheral enable register 1 (PER1).....	1546
20.2.5 DTC Activation Enable Register i (DTCENi) (i = 0 to 6).....	1548
20.2.6 DTC Base Address Register (DTCBAR)	1551
20.2.7 DTC Control Register j (DTCCRj) (j = 0 to 23)	1552
20.2.8 DTC Block Size Register j (DTBLSj) (j = 0 to 23)	1553
20.2.9 DTC Transfer Count Register j (DTCCTj) (j = 0 to 23).....	1553
20.2.10 DTC Transfer Count Reload Register j (DTRLdj) (j = 0 to 23)	1554
20.2.11 DTC Source Address Register j (DTSARj) (j = 0 to 23).....	1554
20.2.12 DTC Destination Address Register j (DTDARj) (j = 0 to 23)	1554
20.2.13 High-speed DTC Channel Select Register 0 (SELHS0)	1555
20.2.14 High-speed DTC Channel Select Register 1 (SELHS1)	1556
20.2.15 High-speed DTC Control Register m (HDTCCR0/1) (m = 0, 1)	1557
20.2.16 High-speed DTC Transfer Count Register m (HDTCCCT0/1) (m = 0, 1)	1558
20.2.17 DTC Transfer Count Reload Register m (HDTRLd0/1) (m = 0, 1)	1559
20.2.18 High-speed DTC Source Address Register m (HDT SAR0/1) (m = 0, 1).....	1559
20.2.19 High-speed DTC Destination Address Register m (HDT DAR0/1) (m = 0, 1).....	1559
20.3 Operation.....	1560
20.3.1 Activation Sources.....	1560
20.3.2 Normal Mode	1562
20.3.3 Repeat Mode	1564
20.3.4 Chain Transfers.....	1568
20.3.5 High-Speed Transfer Operation	1570
20.4 Notes on DTC	1571
20.4.1 Setting DTC Registers and Vector Table.....	1571
20.4.2 Allocation of DTC Control Data Area and DTC Vector Table Area.....	1571
20.4.3 DTC Pending Instruction	1572
20.4.4 Operations when an Instruction which Accesses an SFR Register that Requires a Wait is Executed	1572
20.4.5 Operation when Accessing Data Flash Memory Space	1572
20.4.6 Number of DTC Execution Clock Cycles.....	1573
20.4.7 Number of High-speed DTC Execution Clock Cycles.....	1574

20.4.8 DTC Response Time.....	1575
20.4.9 DTC Activation Sources	1575
20.4.10 Operation in Standby Mode Status.....	1576
20.4.11 Notes When the RAM Area Is the Source of the Data for Transfer	1576
20.4.12 Vector Address for High-Speed Transfer.....	1576
CHAPTER 21 EVENT LINK CONTROLLER (ELC).....	1577
21.1 Overview.....	1577
21.2 Registers	1578
21.2.1 Event Output Destination Select Register n (ELSELRn) (n = 00 to 25).....	1579
21.2.2 Timer input select register 0	1582
21.2.3 A/D converter mode register 1 (ADM1)	1582
21.2.4 D/A converter mode register (DAM)	1582
21.3 Operation.....	1583
CHAPTER 22 INTERRUPT FUNCTIONS.....	1584
22.1 Interrupt Function Types	1584
22.2 Interrupt Sources and Configuration	1585
22.3 Registers Controlling Interrupt Functions.....	1598
22.3.1 Interrupt request flag registers (IF0L, IF0H, IF1L, IF1H, IF2L, IF2H, IF3L, IF3H).....	1604
22.3.2 Interrupt mask flag registers (MK0L, MK0H, MK1L, MK1H, MK2L, MK2H, MK3L, MK3H).....	1606
22.3.3 Priority specification flag registers (PR00L, PR00H, PR01L, PR01H, PR02L, PR02H, PR03L, PR03H, PR10L, PR10H, PR11L, PR11H, PR12L, PR12H, PR13L, PR13H).....	1609
22.3.4 External interrupt rising edge enable registers (EGP0, EGP1), external interrupt falling edge enable registers (EGN0, EGN1).....	1612
22.3.5 Interrupt source determination flag register 0 (INTFLG0).....	1614
22.3.6 Interrupt source determination flag register 1 to 4 (INTFLG1 to 4).....	1616
22.3.7 Interrupt mask register (INTMSK).....	1620
22.3.8 Input switch control register (ISC)	1621
22.3.9 Program status word (PSW).....	1622
22.4 Interrupt Servicing Operations	1623
22.4.1 Maskable interrupt request acknowledgment	1623
22.4.2 Software interrupt request acknowledgment	1626
22.4.3 Multiple interrupt servicing.....	1626
22.4.4 Interrupt servicing during division instruction.....	1630
22.4.5 Interrupt request hold	1632
CHAPTER 23 KEY INTERRUPT FUNCTION	1633
23.1 Functions of Key Interrupt	1633
23.2 Configuration of Key Interrupt.....	1634

23.3 Register Controlling Key Interrupt	1635
23.3.1 Key return mode register (KRM).....	1635
CHAPTER 24 STANDBY FUNCTION	1636
24.1 Standby Function and Configuration	1636
24.1.1 Standby function.....	1636
24.2 Registers controlling standby function	1637
24.2.1 Oscillation stabilization time counter status register (OSTC).....	1638
24.2.2 Oscillation stabilization time select register (OSTS).....	1639
24.2.3 STOP status output control register (STPSTC).....	1640
24.3 Standby Function Operation	1641
24.3.1 HALT mode	1641
24.3.2 STOP mode.....	1648
24.3.3 SNOOZE mode	1654
CHAPTER 25 RESET FUNCTION.....	1660
25.1 Register for Confirming Reset Source	1667
25.1.1 Reset control flag register (RESF).....	1667
25.1.2 POR/CLM reset confirmation register (POCRES)	1668
CHAPTER 26 POWER-ON-RESET CIRCUIT	1670
26.1 Functions of Power-on-reset Circuit	1670
26.2 Configuration of Power-on-reset Circuit.....	1671
26.3 Operation of Power-on-reset Circuit	1671
26.4 Cautions for Power-on-reset Circuit.....	1674
CHAPTER 27 VOLTAGE DETECTOR	1676
27.1 Functions of Voltage Detector	1676
27.2 Configuration of Voltage Detector	1677
27.3 Registers Controlling Voltage Detector	1677
27.3.1 Voltage detection register (LVIM).....	1678
27.3.2 Voltage detection level register (LVIS).....	1679
27.4 Operation of Voltage Detector	1682
27.4.1 When used as reset mode.....	1682
27.4.2 When used as interrupt mode	1684
27.4.3 When used as interrupt and reset mode	1686
27.5 Cautions for Voltage Detector.....	1692
27.5.1 Checking reset source.....	1692
27.5.2 Delay from the time LVD reset source is generated until the time LVD reset has been generated or released.....	1693

CHAPTER 28 SAFETY FUNCTIONS	1694
28.1 Overview of Safety Functions	1694
28.2 Registers Used by Safety Functions	1695
28.3 Operation of Safety Functions	1696
28.3.1 Flash memory CRC operation function (high-speed CRC).....	1696
28.3.2 CRC operation function (general-purpose CRC)	1701
28.3.3 RAM-ECC function	1705
28.3.4 CPU stack pointer monitor function	1711
28.3.5 Clock monitor	1714
28.3.6 RAM guard function.....	1715
28.3.7 SFR guard function	1716
28.3.8 Invalid memory access detection function	1717
28.3.9 Frequency detection function	1720
28.3.10 A/D test function	1722
28.3.11 Digital output signal level detection function for I/O ports.....	1726
 CHAPTER 29 REGULATOR	 1727
29.1 Regulator Overview	1727
 CHAPTER 30 OPTION BYTE	 1728
30.1 Functions of Option Bytes	1728
30.1.1 User option byte (000C0H to 000C2H/020C0H to 020C2H).....	1728
30.1.2 On-chip debug option byte (000C3H/ 020C3H).....	1729
30.2 Format of User Option Byte	1730
30.3 Format of On-chip Debug Option Byte	1734
30.4 Setting of Option Byte	1735
 CHAPTER 31 FLASH MEMORY	 1736
31.1 Serial Programming Using Flash Memory Programmer	1738
31.1.1 Programming Environment.....	1740
31.1.2 Communication Mode	1740
31.2 Serial Programming Using External Device (that Incorporates UART)	1742
31.2.1 Programming Environment.....	1742
31.2.2 Communication Mode	1743
31.3 Connection of Pins on Board	1744
31.3.1 P40/TOOL0 pin	1744
31.3.2 RESET pin.....	1744
31.3.3 Port pins	1745
31.3.4 REGC pin	1745
31.3.5 X1 and X2 pins	1745

31.3.6 Power supply	1745
31.4 Serial Programming Method	1746
31.4.1 Serial programming procedure	1746
31.4.2 Flash memory programming mode.....	1747
31.4.3 Selecting communication mode.....	1748
31.4.4 Communication commands	1749
31.5 Processing Time for Each Command when PG-FP5 Is in Use (Reference Value).....	1750
31.6 Self-Programming	1751
31.6.1 Self-programming procedure.....	1752
31.6.2 Boot swap function	1753
31.6.3 Flash shield window function.....	1755
31.7 Security Settings	1756
31.8 Data Flash	1758
31.8.1 Data flash overview	1758
31.8.2 Register controlling data flash memory	1759
31.8.3 Procedure for accessing data flash memory	1760
 CHAPTER 32 ON-CHIP DEBUG FUNCTION	 1761
32.1 Overview of On-chip Debug Function	1761
32.1.1 Hot Plug-in.....	1761
32.1.2 Real-time RAM Monitor (RRM) and Dynamic Memory Modification (DMM) by DTC.....	1761
32.1.3 On-chip Trace.....	1762
32.2 Connecting E1 On-chip Debugging Emulator to RL78/F15.....	1763
32.3 On-Chip Debug Security ID	1764
32.4 Securing of User Resources	1764
32.4.1 Securement of memory space.....	1764
 CHAPTER 33 BCD CORRECTION CIRCUIT	 1767
33.1 BCD Correction Circuit Function.....	1767
33.2 Registers Used by BCD Correction Circuit	1767
33.3 BCD Correction Circuit Operation	1768
 CHAPTER 34 INSTRUCTION SET.....	 1770
34.1 Conventions Used in Operation List	1771
34.1.1 Operand identifiers and specification methods.....	1771
34.1.2 Description of operation column	1772
34.1.3 Description of flag operation column	1773
34.1.4 PREFIX instruction	1773
34.2 Operation List	1774
 CHAPTER 35 ELECTRICAL SPECIFICATIONS (GRADE L)	 1792

35.1 Absolute Maximum Ratings	1793
35.2 Oscillator Characteristics	1795
35.2.1 Main System Clock Oscillator Characteristics	1795
35.2.2 On-chip Oscillator Characteristics	1796
35.2.3 Subsystem Clock Oscillator Characteristics	1797
35.2.4 PLL Circuit Characteristics	1798
35.3 DC Characteristics	1799
35.3.1 Pin Characteristics	1799
35.3.2 Supply Current Characteristics	1805
35.4 AC Characteristics	1810
35.4.1 Basic Operation	1810
35.5 Peripheral Functions Characteristics.....	1813
35.5.1 Serial Array Unit	1813
35.5.2 Serial Interface IICA	1832
35.5.3 On-chip Debug (UART)	1833
35.5.4 LIN/UART Module (RLIN3) UART Mode	1833
35.6 Analog Characteristics	1834
35.6.1 A/D Converter Characteristics	1834
35.6.2 Temperatures Sensor Characteristics	1838
35.6.3 D/A Converter Characteristics	1838
35.6.4 Comparator Characteristics	1838
35.6.5 POR Circuit Characteristics	1839
35.6.6 LVD Circuit Characteristics.....	1840
35.7 Power Supply Voltage Rising Time	1841
35.8 STOP Mode Memory Retention Characteristics.....	1842
35.9 Flash Memory Programming Characteristics.....	1843
35.10 Timing of Entry to Flash Memory Programming Modes	1844
CHAPTER 36 ELECTRICAL SPECIFICATIONS (GRADE K).....	1845
36.1 Absolute Maximum Ratings	1846
36.2 Oscillator Characteristics	1848
36.2.1 Main System Clock Oscillator Characteristics	1848
36.2.2 On-chip Oscillator Characteristics	1849
36.2.3 Subsystem Clock Oscillator Characteristics	1850
36.2.4 PLL Circuit Characteristics	1851
36.3 DC Characteristics	1852
36.3.1 Pin Characteristics	1852
36.3.2 Supply Current Characteristics	1858
36.4 AC Characteristics	1862
36.4.1 Basic Operation	1862
36.5 Peripheral Functions Characteristics.....	1865

36.5.1	Serial Array Unit	1865
36.5.2	Serial Interface IICA	1884
36.5.3	On-chip Debug (UART)	1885
36.5.4	LIN/UART Module (RLIN3) UART Mode	1885
36.6	Analog Characteristics	1886
36.6.1	A/D Converter Characteristics	1886
36.6.2	Temperatures Sensor Characteristics	1890
36.6.3	D/A Converter Characteristics	1890
36.6.4	Comparator Characteristics	1890
36.6.5	POR Circuit Characteristics	1891
36.6.6	LVD Circuit Characteristics	1892
36.7	Power Supply Voltage Rising Time	1893
36.8	STOP Mode Memory Retention Characteristics	1894
36.9	Flash Memory Programming Characteristics	1894
36.10	Timing of Entry to Flash Memory Programming Modes	1895
CHAPTER 37	PACKAGE DRAWING	1896
37.1	48-pin products	1896
37.1.1	48-pin LQFP	1896
37.1.2	48-pin VQFN	1897
37.2	64-pin products	1898
37.3	80-pin products	1899
37.4	100-pin products	1900
37.5	144-pin products	1901
APPENDIX A	RELATED PRODUCTS	1902
A.1	List of Analog and Power Devices	1902

CHAPTER 1 OVERVIEW

1.1 Features

- Minimum instruction execution time can be changed from high speed (0.03125 μ s: @ 32 MHz operation with high-speed on-chip oscillator clock or PLL clock) to ultra low-speed (66.6 μ s: @ 15 kHz operation with low-speed on-chip oscillator clock)
- General-purpose register: 8 bits \times 32 registers (8 bits \times 8 registers \times 4 banks)
- ROM: 128K to 512KB
- RAM: 10K to 32KB
- Data flash memory: 8KB/16KB
- High-speed on-chip oscillator clock
 - Selectable from 32 MHz (Typ.), 24 MHz (Typ.), 16 MHz (Typ.), 12 MHz (Typ.), 8 MHz (Typ.), 4 MHz (Typ.), and 1 MHz (Typ.) (Selectable from 64 MHz (Typ.) and 48 MHz (Typ.) when using Timer RD)
- Low-speed on-chip oscillator clock: 15 kHz \times 2 channels (one for WWDT and one for CPU and peripherals other than WWDT)
- On-chip PLL (\times 3, \times 4, \times 6, \times 8)
- On-chip single-power-supply flash memory (with prohibition of block erase/writing function)
- Self-programming (with boot swap function/flash shield window function)
- On-chip debug function
- On-chip power-on-reset (POR) circuit and voltage detector (LVD)
- On-chip watchdog timer (operable with the dedicated low-speed on-chip oscillator clock)
- Multiply/divide/multiply & accumulate instructions are supported
 - 16 bits \times 16 bits = 32 bits (Unsigned or signed)
 - 32 bits \div 32 bits = 32 bits (Unsigned)
 - 16 bits \times 16 bits + 32 bits = 32 bits (Unsigned or signed)
- On-chip key interrupt function
- On-chip clock output/buzzer output controller
- On-chip BCD adjustment
- I/O ports: 44 to 136 (including one input-only pin)
- Timer
 - 16-bit timer array unit: 16 to 24 channels
 - 16-bit timer RD: 2 channels (six triangle-wave outputs; sawtooth wave/triangle-wave modulation)
 - 16-bit timer RJ: 1 channel
 - Watchdog timer: 1 channel
 - Real-time clock: 1 channel
- Serial interface
 - CSI
 - UART/UART (LIN-bus supported)
 - LIN module (master/slave supported)
 - I²C/simplified I²C
 - CAN interface (RS-CAN lite)
 - IEBus controller
- 8/10-bit resolution A/D converter ($V_{DD} = 2.7$ to 5.5 V): 18 to 31 channels
- DTC (Max. 52 sources)
- ELC (Max. 26 channels for event link source, Max. 9 channels for event link destination)

- Safety functions (CRC calculation, PLL lock detection, AD test, SFR guard, etc.)
- 8-bit D/A converter
- On-chip comparator: 1 channel (input pin: 4 channels)
- Power supply voltage: $V_{DD} = 2.7$ to 5.5 V
- Operating ambient temperature: $T_A = -40$ to $+105^{\circ}\text{C}$ (grade L)/ $T_A = -40$ to $+125^{\circ}\text{C}$ (grade K)

1.1.1 Applications

General automotive electrical applications (motor control, door control, headlight control, etc.), motorcycle engine control

1.2 Product Lineup

Table 1-1. RL78/F15 Lineup

Code Flash	Data Flash	RAM	Pin Count					
			144 pins	100 pins	80 pins	64 pins	48 pins (QFN)	48 pins (QFP)
128 KB	8 KB	10 KB	R5F113TG	R5F113PG	–	–	–	–
192 KB		16 KB	R5F113TH	R5F113PH	–	–	–	–
256 KB		20 KB	R5F113TJ	R5F113PJ	–	–	–	–
384 KB	16 KB	26 KB	R5F113TK	R5F113PK	R5F113MK	R5F113LK	R5F113GK	R5F113GK
512 KB		32 KB	R5F113TL	R5F113PL	R5F113ML	R5F113LL	R5F113GL	R5F113GL

1.3 Function Overview

1.3.1 RL78/F15 Functions List

Table 1-2. RL78/F15 Functions List

Series Name		R5F113T	R5F113P	R5F113M	R5F113L	R5F113G
Pin Count		144 pins	100 pins	80 pins	64 pins	48 pins
Code flash		128K to 512KB		384K/512KB		
Data flash		8/16KB		16KB		
RAM		10K to 32KB		26/32KB		
Supply voltage range		2.7 V to 5.5 V				
Maximum operation frequency		32 MHz (grade L), 24 MHz (grade K)				
System clock	Main system clock oscillator	Crystal/ceramic/square wave 1 to 20 MHz (operating at 2.7 V to 5.5 V)				
	High-speed on-chip oscillator	Normal high accuracy 32 MHz (typ.)				
	Low-speed on-chip oscillator	For low-speed operation 15 kHz (typ.)				
	Subsystem clock oscillator	32.768 kHz				
PLL		PLL multiplication factor: $\times 3/\times 4/\times 6/\times 8$				
Clock for peripherals	Low-speed on-chip oscillator	For peripherals other than WDT		15 kHz (typ.)		
		For WDT		15 kHz (typ.)		
POR		When power supply is rising		1.56 V (typ.)		
		When power supply is falling		1.55 V (typ.)		
LVD	V _{DD} voltage detection	When power supply is rising		2.81 V (typ.) to 4.74 V (typ.) (in 6 steps)		
		When power supply is falling		2.75 V (typ.) to 4.64 V (typ.) (in 6 steps)		
Safety functions	WWDT (window watchdog timer)		Yes			
	Illegal instruction execution detection function		Yes			
	Flash memory CRC operation function		Yes			
	RAM1 bit error correction function		Yes			
	RAM2 bit error detection function		Yes			
	Invalid memory access detection function		Yes			
	Frequency detection function		Yes			
	Clock monitor function		Yes			
	Stack pointer monitor function		Yes			
	I/O port output signal level detection function		Yes			
A/D test function		Yes				
I/O ports	Input/Output	CMOS	130ch	86ch	68ch	52ch
	Output	CMOS	1ch			
	Input	Shared with oscillator pins	4ch			
		Input only	1ch			
Power supply pins	For internal circuits		V _{DD} , V _{SS} , REGC			
	For I/O ports		EV _{DD0} , EV _{SS0} EV _{DD1} , EV _{SS1}	EV _{DD0} , EV _{SS0}		None
	For analog circuits (AD, DA, COMP)		V _{DD} , V _{SS} (AV _{REFP} , AV _{REFM} ; For AD)			
Multiply/divide and multiply-accumulate functions	Multiply		16 bits × 16 bits (signed)			
			16 bits × 16 bits (unsigned)			
	Divide		32 bits + 32 bits (unsigned)			
	Multiply-accumulate		16 bits × 16 bits + 32 bits (signed)			
Arithmetic instructions (extended instruction set)		16 bits × 16 bits + 32 bits (unsigned)				
Vectored interrupt sources	External ^{Note 1,2}		22ch	20ch	19ch	18ch
	Internal ^{Note 1}		51ch			
Key return detection		8ch				
DTC		52 sources	50 sources	46 sources		
Timer	TAU	16 bits (8ch × 3)	16 bits (8ch × 2)			
	RTC	1ch				
	Timer RJ	16 bits × 1				
	Timer RD	16 bits × 2				
Serial I/F	CSI/simplified I ² C /UART		6ch/4ch/3ch		4ch/4ch/2ch	
	SPI		Yes			
	Multimaster I ² C		1ch			
	IEBus controller		1ch			
	LIN/UART module (RLIN3)		3ch	2ch		
A/D converter 10-bit SAR	V _{DD}		24ch	18ch	17ch	13ch
	EV _{DD}		7ch			
	Internal		2ch			
D/A converter	8-bit		1ch			
Comparator		1ch				
ELC		Link source: 26ch Link destination: 9ch				
PCLBUZ		1ch				
Self-programming		Yes				
On-chip debug	Trace		Yes			
	Hot plug-in		Yes			
Option byte		Yes				

(Notes and Caution are listed on the next page.)

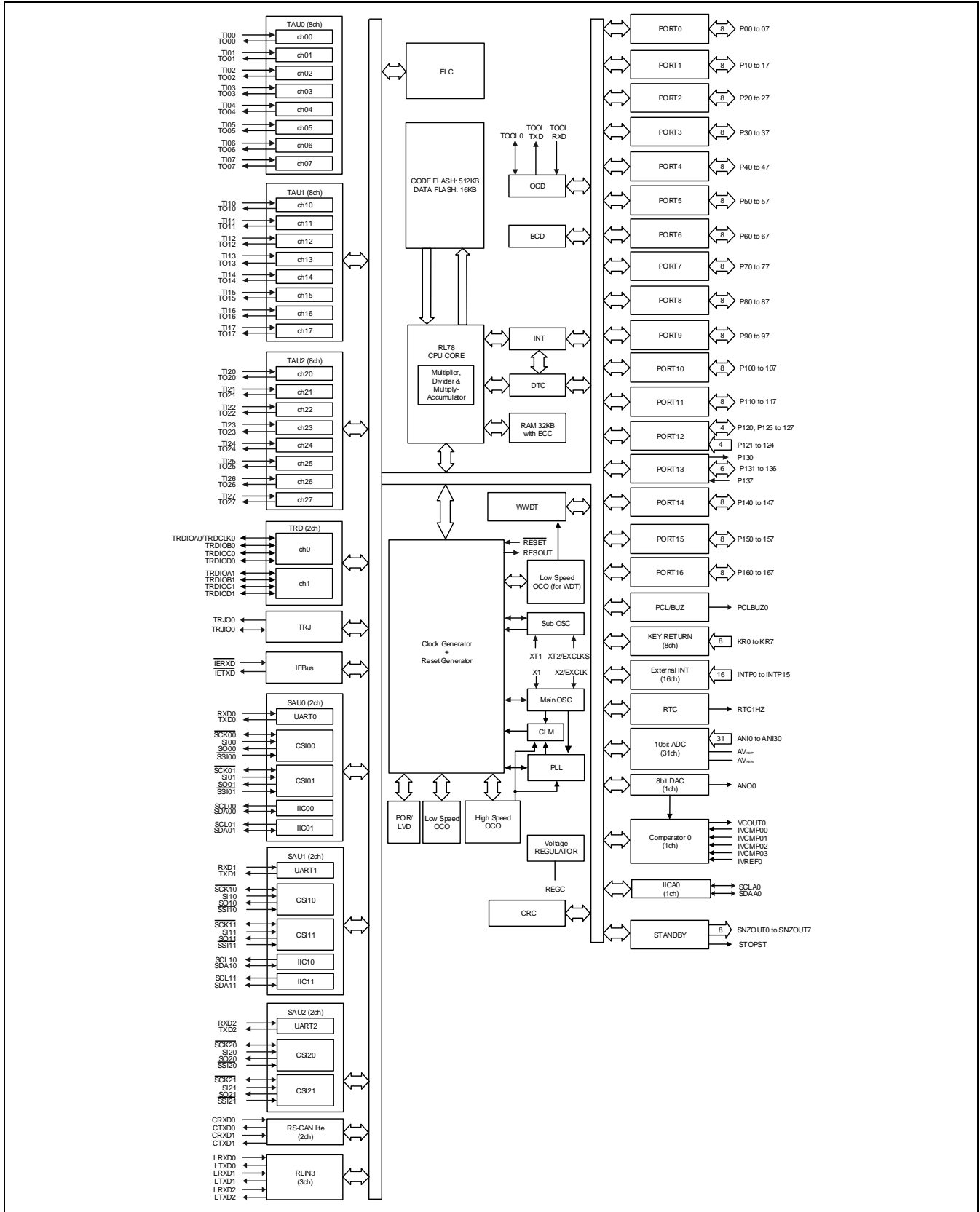
- Notes**
1. Both sources in the following pairs are counted as a single source in this number: INTPn and INTLIN0WUPH.
 2. The following pairs of internal and external sources are each counted as a single source in this number: INTPn and internal interrupt.

Caution For details, see 1.5 Pin Configurations.

1.4 Block Diagram

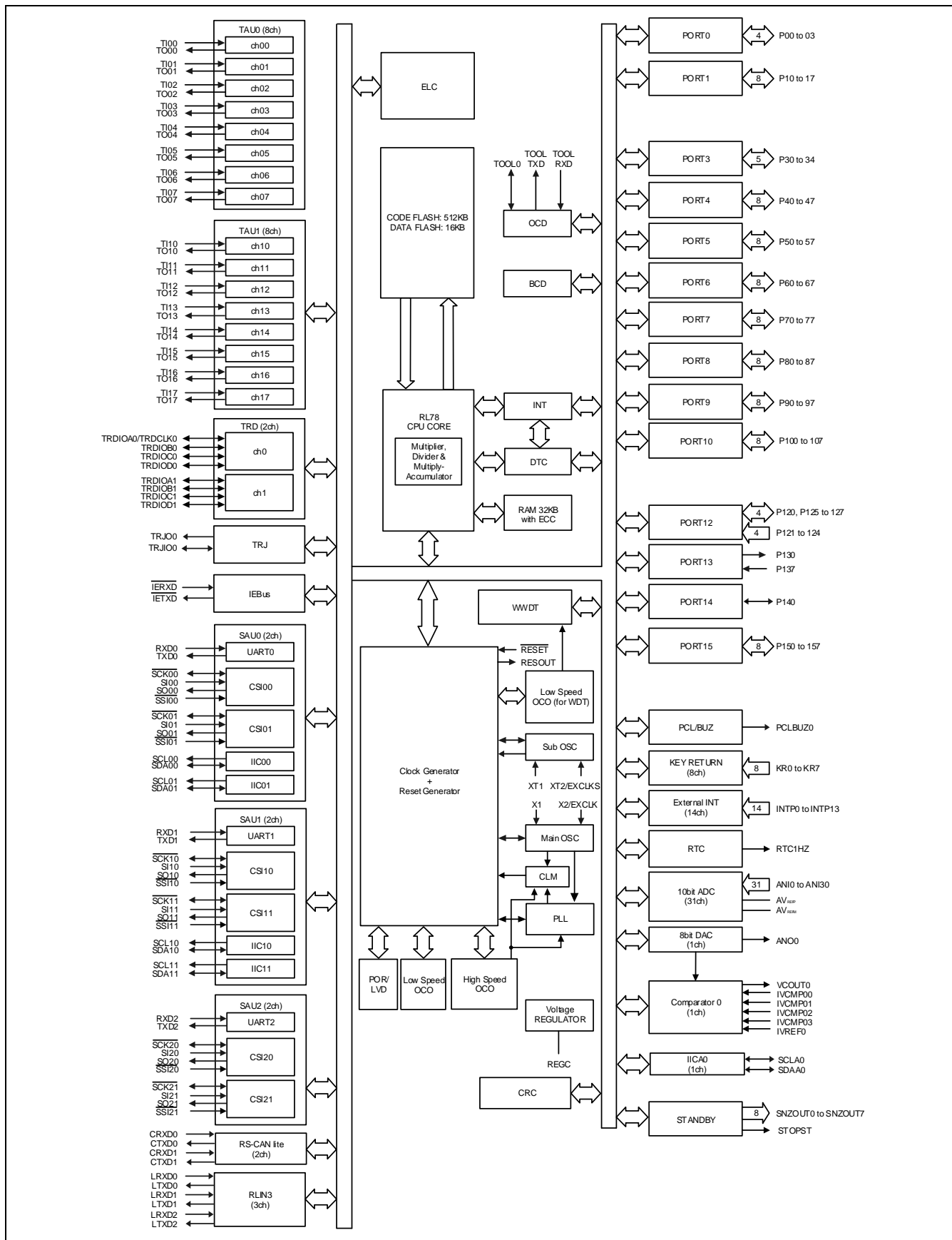
1.4.1 RL78/F15: Block Diagram of R5F113TL 144-pin Products

Figure 1-1. Block Diagram



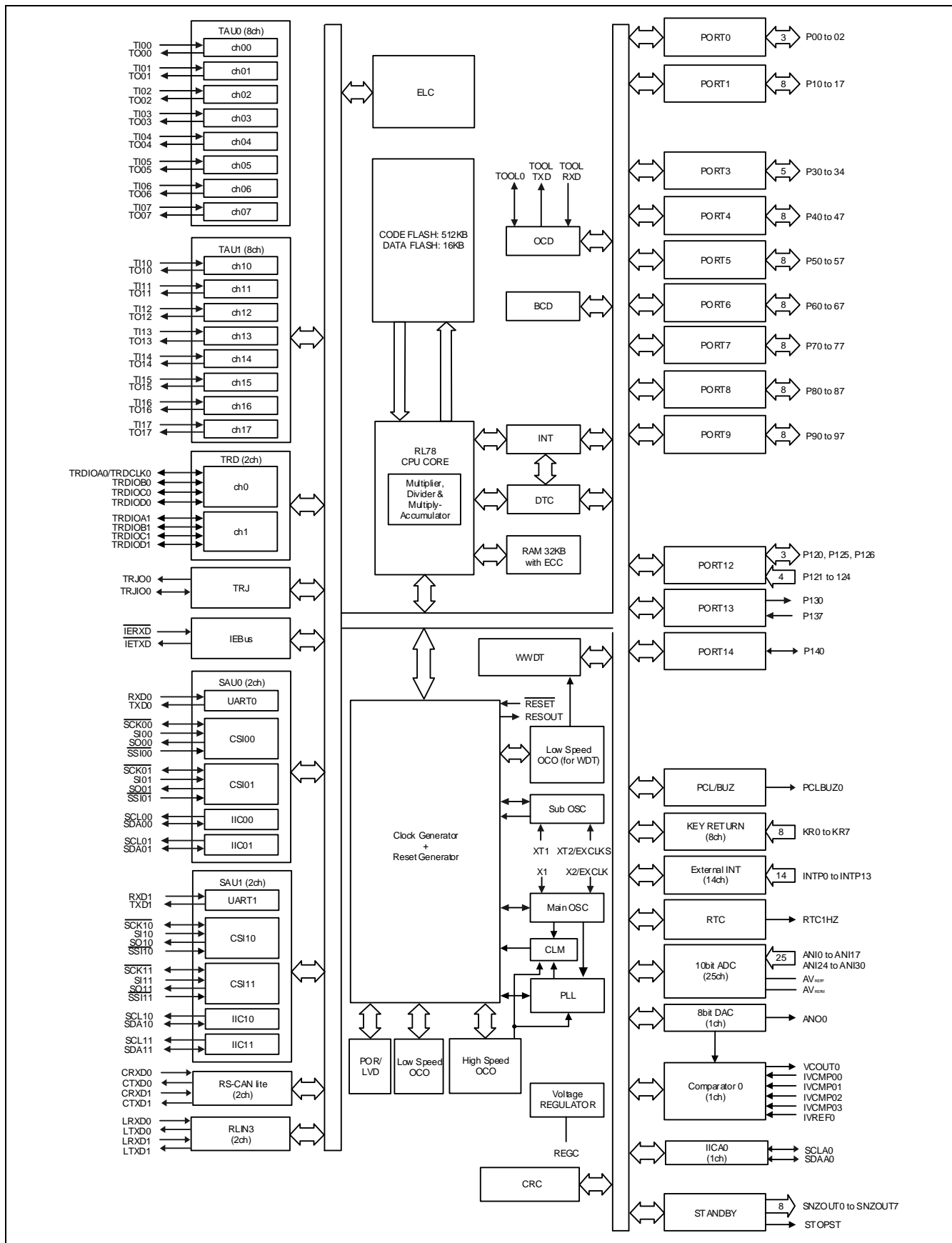
1.4.2 RL78/F15: Block Diagram of R5F113PL 100-pin Products

Figure 1-2. Block Diagram



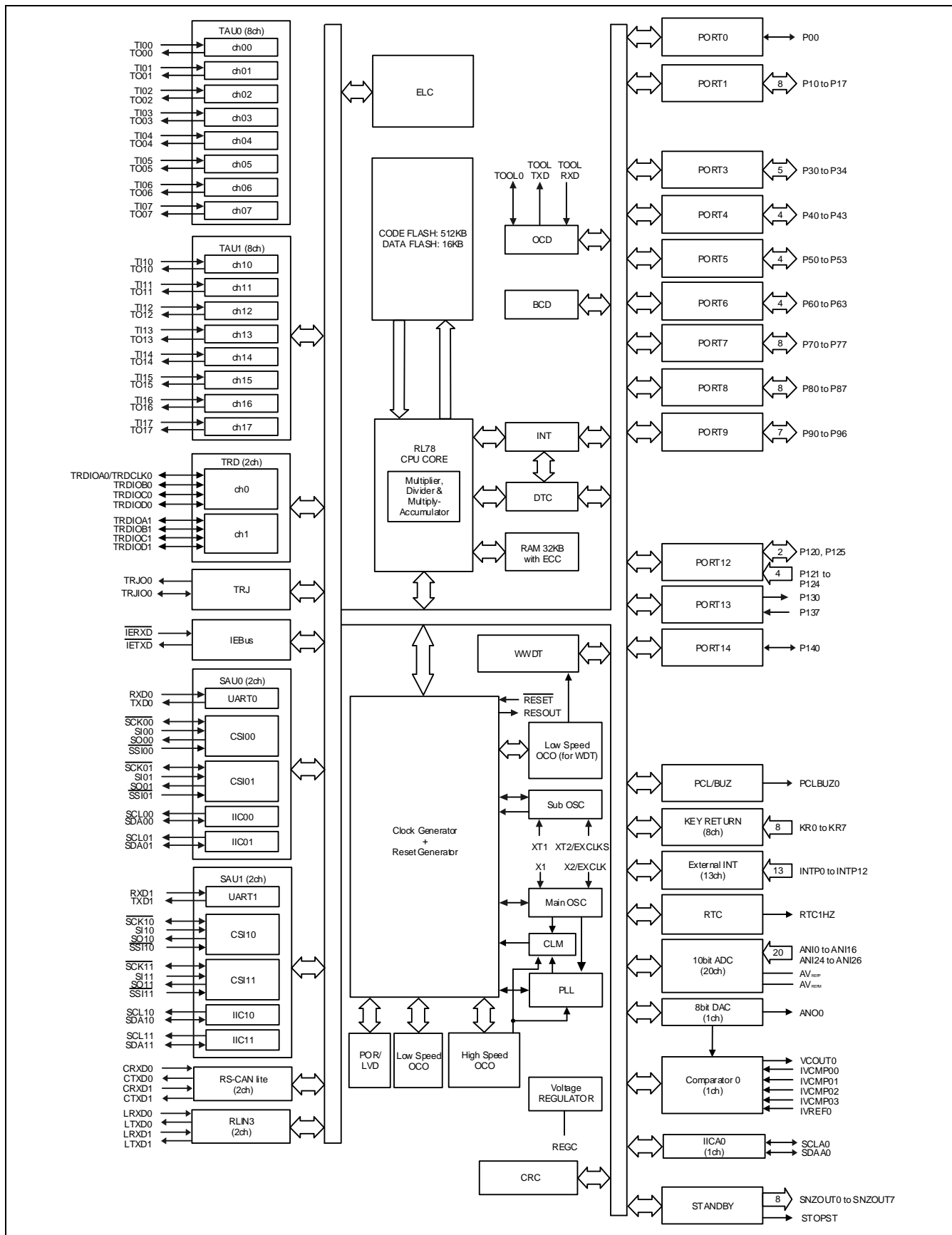
1.4.3 RL78/F15: Block Diagram of R5F113ML 80-pin Products

Figure 1-3. Block Diagram



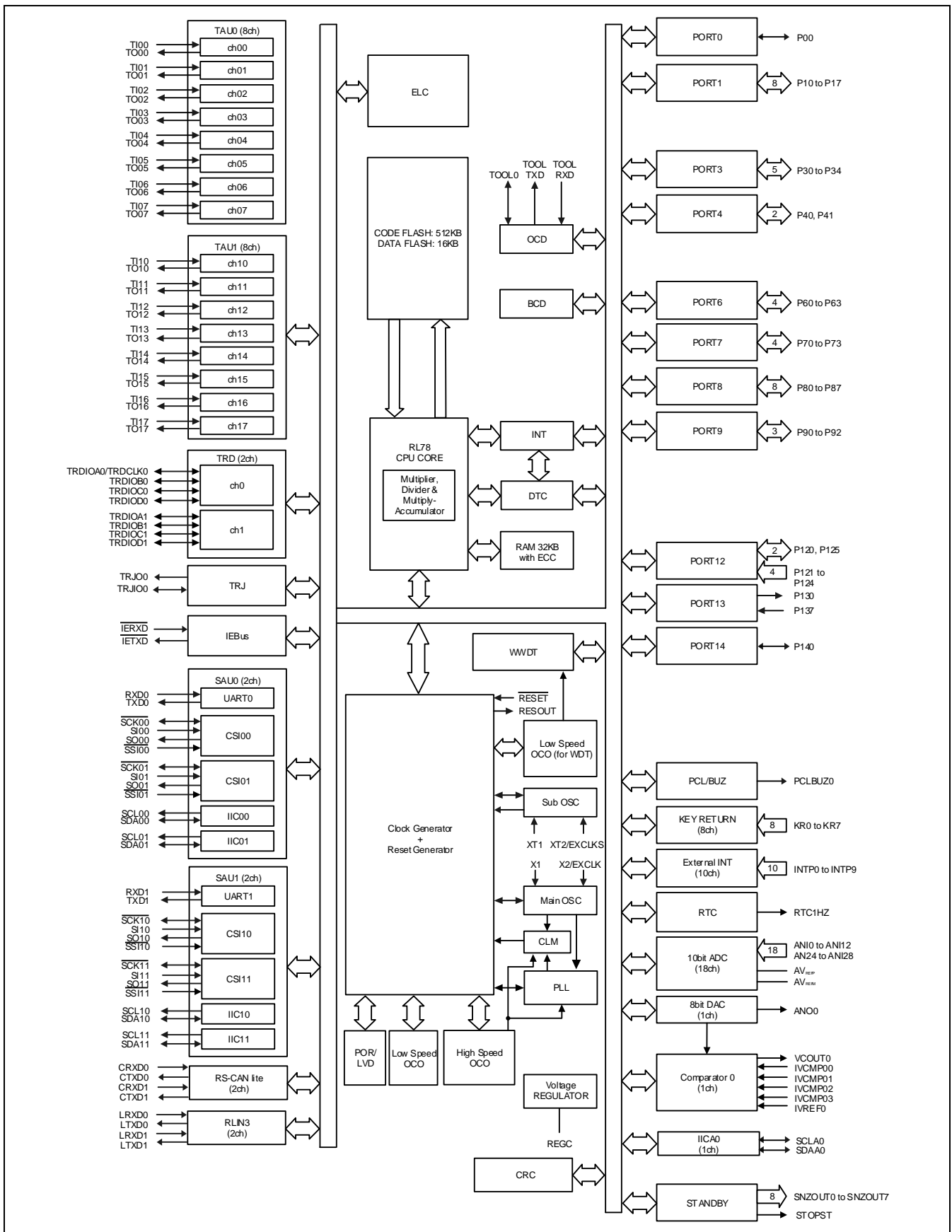
1.4.4 RL78/F15: Block Diagram of R5F113LL 64-pin Products

Figure 1-4. Block Diagram



1.4.5 RL78/F15: Block Diagram of R5F113GL 48-pin Products

Figure 1-5. Block Diagram

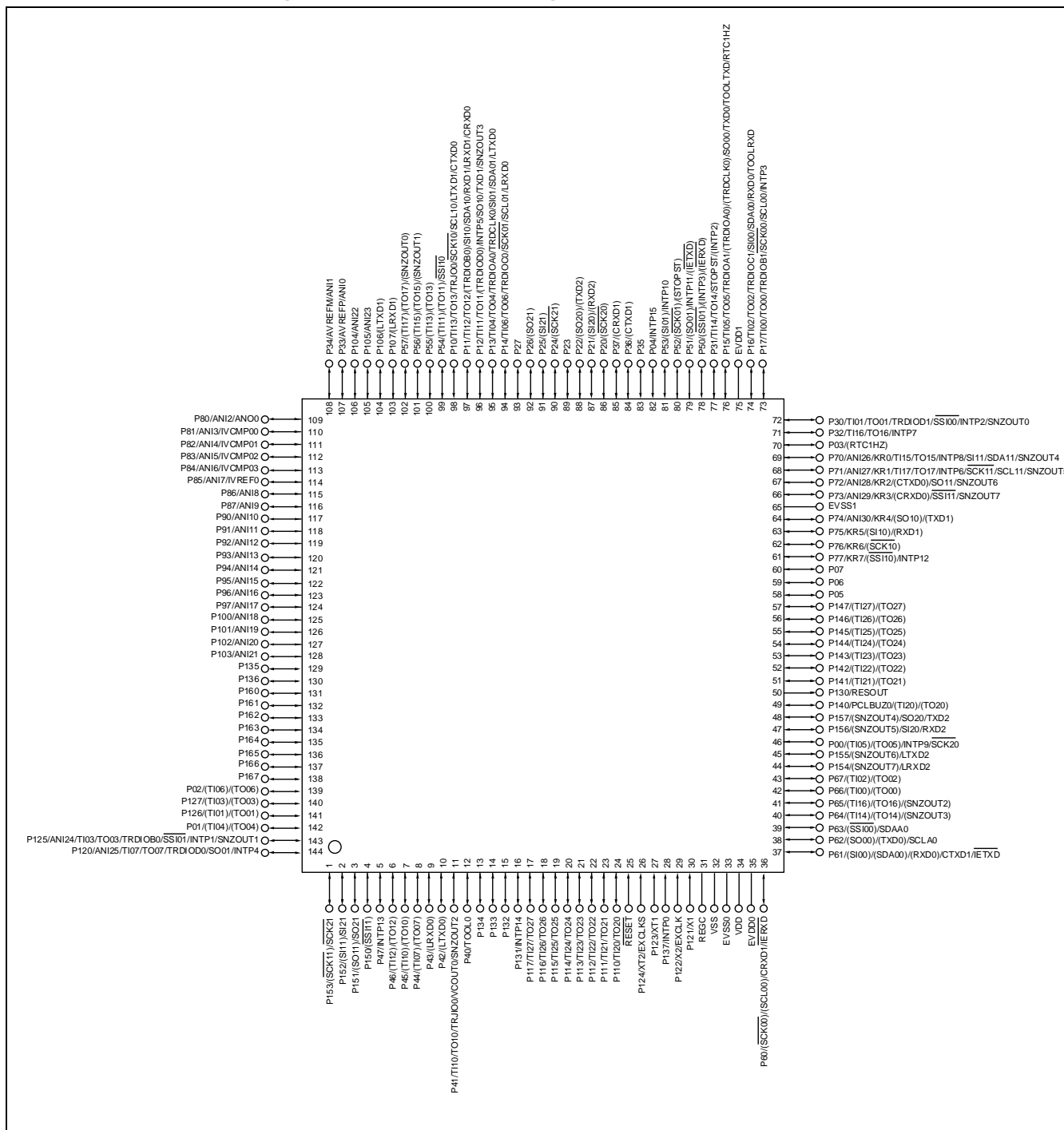


1.5 Pin Configurations

1.5.1 RL78/F15 Pin Configuration for 144-pin Products

- RL78/F15: 144-pin Plastic QFP (Fine Pitch) (20 x 20)

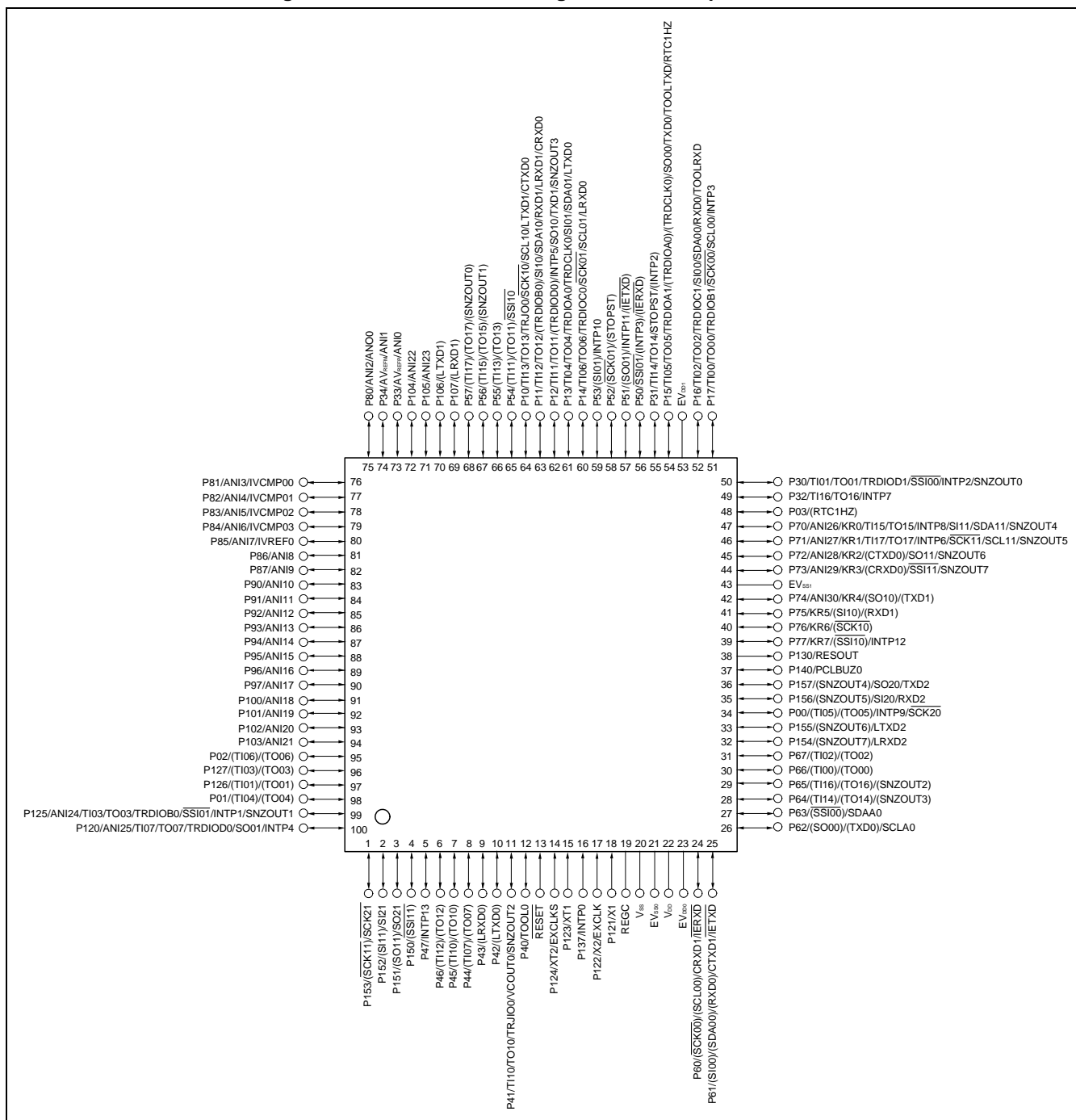
Figure 1-6. RL78/F15 Pin Configuration for 144-pin Products



1.5.2 RL78/F15 Pin Configuration for 100-pin Products

- RL78/F15: 100-pin Plastic QFP (Fine Pitch) (14 x 14)

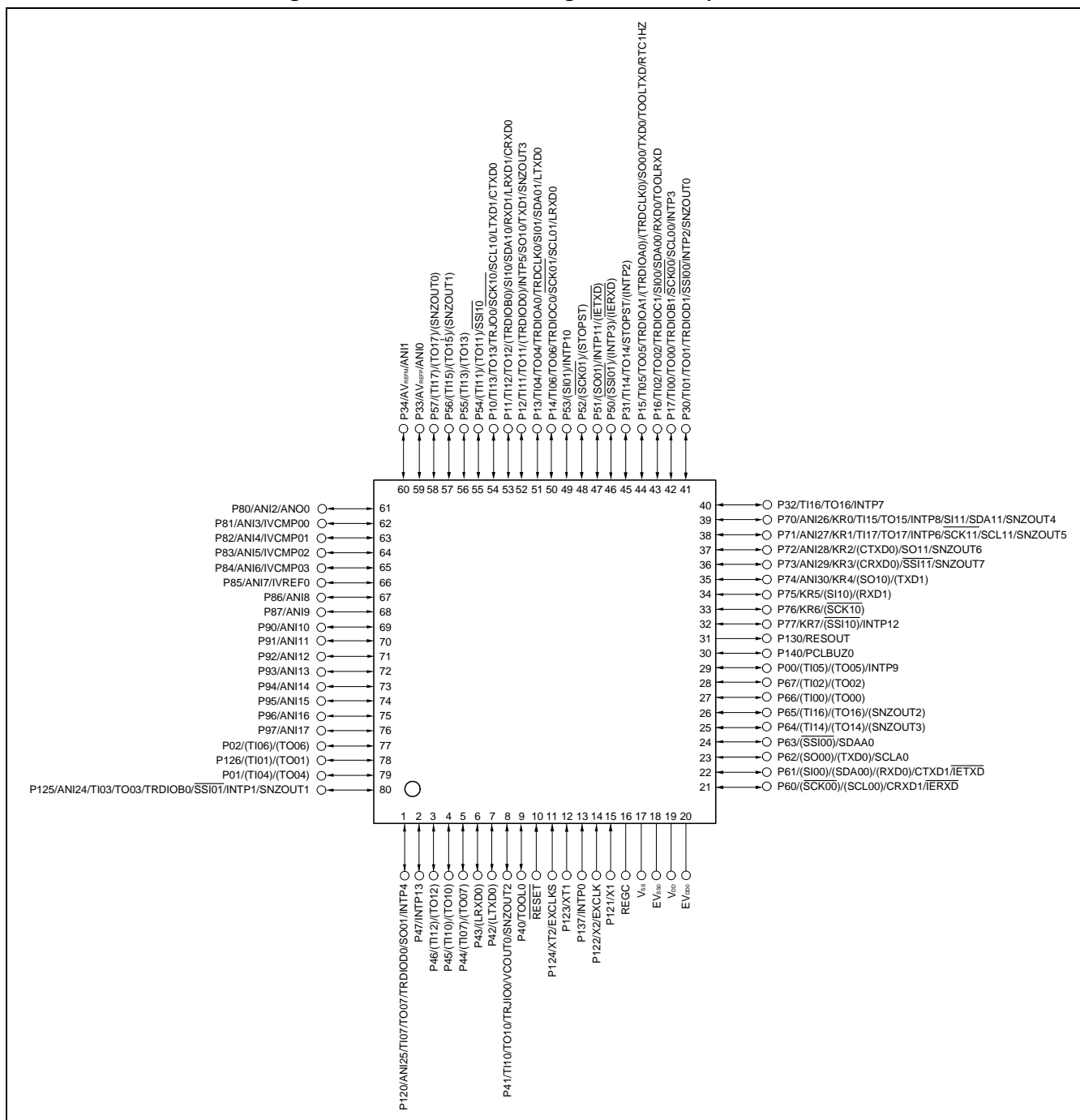
Figure 1-7. RL78/ F15 Pin Configuration for 100-pin Products



1.5.3 RL78/F15 Pin Configuration for 80-pin Products

- RL78/F15: 80-pin Plastic QFP (Fine Pitch) (12 x 12)

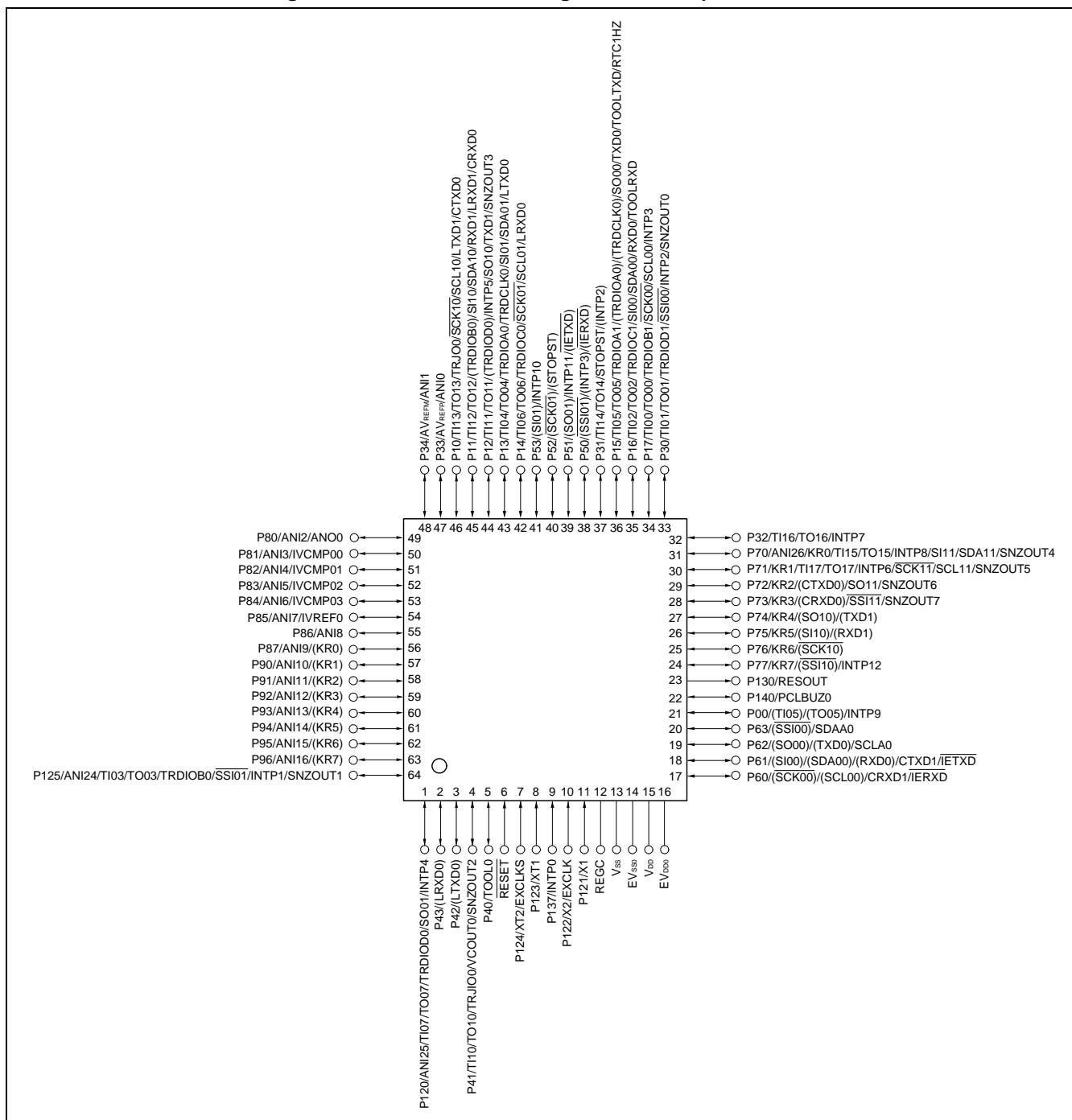
Figure 1-8. RL78/ F15 Pin Configuration for 80-pin Products



1.5.4 RL78/F15 Pin Configuration for 64-pin Products

- RL78/F15: 64-pin Plastic QFP (Fine Pitch) (10 x 10)

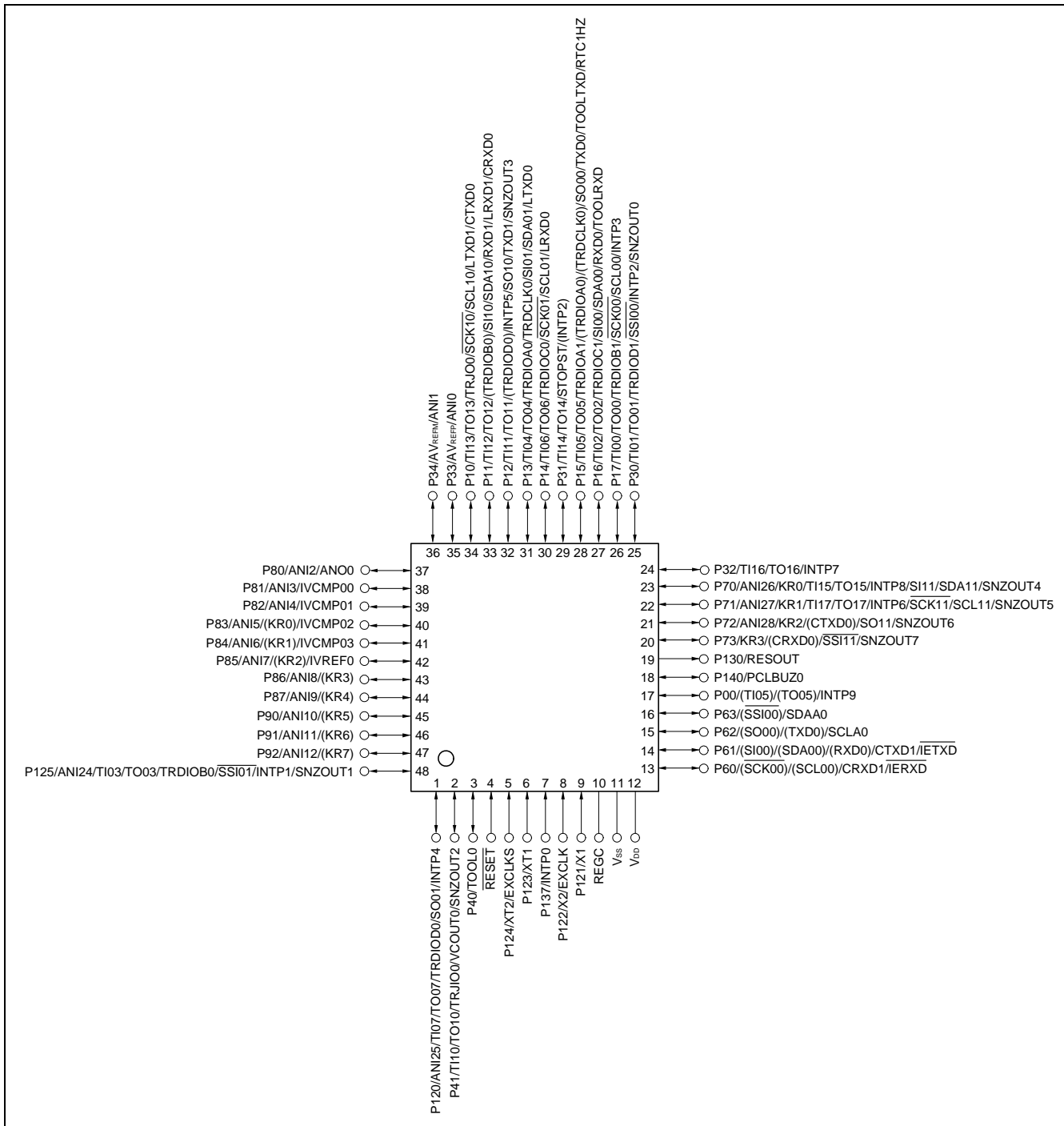
Figure 1-9. RL78/ F15 Pin Configuration for 64-pin Products



1.5.5 RL78/F15 Pin Configuration for 48-pin Products

- RL78/F15: 48-pin Plastic QFP (7 x 7), and QFN (7 x 7)

Figure 1-10. RL78/ F15 Pin Configuration for 48-pin Products



1.6 Order Information

Table 1-3 show the order information for RL78/F15.

Table 1-3. Order Information for RL78/F15

Package	Device	Order Name
48-pin plastic LQFP	Grade L	R5F113GKLFB, R5F113GLLFB
	Grade K	R5F113GKKFB, R5F113GLKFB
48-pin plastic VQFN	Grade L	R5F113GKLNA, R5F113GLLNA
	Grade K	R5F113GKKNA, R5F113GLKNA
64-pin plastic LQFP	Grade L	R5F113LKLFB, R5F113LLLFB
	Grade K	R5F113LKKFB, R5F113LLKFB
80-pin plastic LQFP	Grade L	R5F113MKLFB, R5F113MLLFB
	Grade K	R5F113MKKFB, R5F113MKLFB
100-pin plastic LQFP	Grade L	R5F113PGLFB, R5F113PHLFB, R5F113PJLFB, R5F113PKLFB, R5F113PLLFB
	Grade K	R5F113PGKFB, R5F113PHKFB, R5F113PJKFB, R5F113PKKFB, R5F113PLKFB
144-pin plastic LQFP	Grade L	R5F113TGLFB, R5F113THLFB, R5F113TJLFB, R5F113TKLFB, R5F113TLLFB
	Grade K	R5F113TGKFB, R5F113THKFB, R5F113TJKFB, R5F113TKKFB, R5F113TLKFB

CHAPTER 2 PIN FUNCTIONS

2.1 Pin Function List

Pin I/O buffer power supplies depend on the product. Table 2-1 shows the relationship between these power supplies and the pins. EV_{DD} indicates EV_{DD0} and EV_{DD1} .

Table 2-1. Pin I/O Buffer Power Supplies

(1) 48-pin products

Power Supply	Corresponding Pins
V_{DD}	All pins

(2) 64-pin products

Power Supply	Corresponding Pins
EV_{DD0}	<ul style="list-style-type: none"> Port pins other than P33, P34, P80 to P87, P90 to P96, P121 to P124, and P137
V_{DD}	<ul style="list-style-type: none"> P33, P34, P80 to P87, P90 to P96, P121 to P124, and P137 Pins other than port pins

(3) 80-pin products

Power Supply	Corresponding Pins
EV_{DD0}	<ul style="list-style-type: none"> Port pins other than P33, P34, P80 to P87, P90 to P97, P121 to P124, and P137
V_{DD}	<ul style="list-style-type: none"> P33, P34, P80 to P87, P90 to P97, P121 to P124, and P137 Pins other than port pins

(4) 100-pin and 144-pin products

Power Supply	Corresponding Pins
EV_{DD0} , EV_{DD1}	<ul style="list-style-type: none"> Port pins other than P33, P34, P80 to P87, P90 to P97, P100 to P105, P121 to P124, and P137
V_{DD}	<ul style="list-style-type: none"> P33, P34, P80 to P87, P90 to P97, P100 to P105, P121 to P124, and P137 Pins other than port pins

This subchapter describes the 144-pin products of RL78/F15.

2.1.1 RL78/F15 144-pin products

(1/3)

Function Name	I/O	Function	After Reset	Alternate Function		
P00	I/O	Port 0 Use of an on-chip pull-up resistor can be specified by a software setting. For input to P00 the threshold level can be specified.	Input port	(TI05)/(TO05)/INTP9/SCK20		
P01				(TI04)/(TO04)		
P02				(TI06)/(TO06)		
P03				(RTC1HZ)		
P04				INTP15		
P05						
P06						
P07						
P10	I/O	Port 1 Input of P10, P11, P13, P14, P16, and P17 can be set to TTL input buffer. Use of an on-chip pull-up resistor can be specified by a software setting. Output from P10 to P17 can be set to N-ch open-drain output. For input to P10, P11, P13, P14, P16, and P17, the threshold level can be specified.	Input port	TI13/TO13/TRJIO0/SCK10/SCL10/LTXD1/CTXD0		
P11				TI12/TO12/(TRDIOB0)/SI10/SDA10/RXD1/LRXD1/CRXD0		
P12				TI11/TO11/(TRDIOD0)/INTP5/SO10/TXD1/SNZOUT3		
P13				TI04/TO04/TRDIOA0/TRDCLK0/SI01/SDA01/LTXD0		
P14				TI06/TO06/TRDIOC0/SCK01/SCL01/LRXD0		
P15				TI05/TO05/TRDIOA1/(TRDIOA0)/(TRDCLK0)/SO00/TXD0/TOOLTXD/RTC1HZ		
P16				TI02/TO02/TRDIOC1/SI00/SDA00/RXD0/TOOLRXD		
P17				TI00/TO00/TRDIOB1/SCK00/SCL00/INTP3		
P20	I/O	Port 2 Use of an on-chip pull-up resistor can be specified by a software setting. For input to P20, P21, P24, and P25, the threshold level can be specified.	Input port	(SCK20)		
P21				(SI20)/(RXD2)		
P22				(SO20)/(TXD2)		
P23						
P24				(SCK21)		
P25				(SI21)		
P26				(SO21)		
P27						
P30	I/O	Port 3 Input of P30 can be set to TTL input buffer. P33 and P34 can be set to analog input. For input to P30 to P32 and P35 to P37, use of an on-chip pull-up resistor can be specified by a software setting. For input to P30, and P37 the threshold level can be specified.	Input port	TI01/TO01/TRDIOD1/SSI00/INTP2/SNZOUT0		
P31				TI14/TO14/STOPST/(INTP2)		
P32				TI16/TO16/INTP7		
P33					Analog input port	AVREFP/ANI0
P34						AVREFM/ANI1
P35					Input port	
P36						(CTXD1)
P37						(CRXD1)
P40	I/O	Port 4 Use of an on-chip pull-up resistor can be specified by a software setting. For input to P43, the threshold level can be specified.	Input port	TOOL0		
P41				TI10/TO10/TRJIO0/VCOUT0/SNZOUT2		
P42				(LTXD0)		
P43				(LRXD0)		
P44				(TI07)/(TO07)		
P45				(TI10)/(TO10)		
P46				(TI12)/(TO12)		
P47				INTP13		

Remark Functions in parentheses in the above table can be assigned via settings in the peripheral I/O redirection registers (PIOR).

(2/3)

Function Name	I/O	Function	After Reset	Alternate Function	
P50	I/O	Port 5 Input of P54 can be set to TTL input buffer. Use of an on-chip pull-up resistor can be specified by a software setting. For input to P50 and P52 to P54, the threshold level can be specified.	Input port	($\overline{\text{SSI01}}$)/($\overline{\text{INTP3}}$)/($\overline{\text{IERXD}}$)	
P51				(SO01)/ $\overline{\text{INTP11}}$ /($\overline{\text{IETXD}}$)	
P52				($\overline{\text{SCK01}}$)/($\overline{\text{STOPST}}$)	
P53				(SI01)/ $\overline{\text{INTP10}}$	
P54				(TI11)/(TO11)/ $\overline{\text{SSI10}}$	
P55				(TI13)/(TO13)	
P56				(TI15)/(TO15)/(SNZOUT1)	
P57				(TI17)/(TO17)/(SNZOUT0)	
P60	I/O	Port 6 Input of P62 and P63 can be set to TTL input buffer. Use of an on-chip pull-up resistor can be specified by a software setting. Output from P60 to P63 can be set to N-ch open-drain output. For input to P60 to P63, the threshold level can be specified.	Input port	($\overline{\text{SCK00}}$)/($\overline{\text{SCL00}}$)/ $\overline{\text{CRXD1}}$ / $\overline{\text{IERXD}}$	
P61				(SI00)/(SDA00)/(RXD0)/ $\overline{\text{CTXD1}}$ / $\overline{\text{IETXD}}$	
P62				(SO00)/(TXD0)/ $\overline{\text{SCLA0}}$	
P63				($\overline{\text{SSI00}}$)/ $\overline{\text{SDAA0}}$	
P64				(TI14)/(TO14)/(SNZOUT3)	
P65				(TI16)/(TO16)/(SNZOUT2)	
P66				(TI00)/(TO00)	
P67				(TI02)/(TO02)	
P70	I/O	Port 7 Input of P70, P71, and P73 can be set to TTL input buffer. P70 to P74 can be set to analog input. Use of an on-chip pull-up resistor can be specified by a software setting. Output from P70 to P72 can be set to N-ch open-drain output. For input to P70, P71, P73, and P75 to P77, the threshold level can be specified.	Analog input port	ANI26/KR0/TI15/TO15/INTP8/SI11/SDA11/SNZOUT4	
P71				ANI27/KR1/TI17/TO17/INTP6/SCK11/SCL11/SNZOUT5	
P72				ANI28/KR2/(CTXD0)/SO11/SNZOUT6	
P73				ANI29/KR3/(CRXD0)/SSI11/SNZOUT7	
P74			ANI30/KR4/(SO10)/(TXD1)	Input port	KR5/(SI10)/(RXD1)
P75			KR6/(SCK10)		
P76			KR7/(SSI10)/INTP12		
P77					
P80	I/O	Port 8 P80 to P87 can be set to analog input.	Analog input port	ANI2/AN00	
P81				ANI3/IVCMP00	
P82				ANI4/IVCMP01	
P83				ANI5/IVCMP02	
P84				ANI6/IVCMP03	
P85				ANI7/IVREF0	
P86				ANI8	
P87				ANI9	
P90	I/O	Port 9 P90 to P97 can be set to analog input.	Analog input port	ANI10	
P91				ANI11	
P92				ANI12	
P93				ANI13	
P94				ANI14	
P95				ANI15	
P96				ANI16	
P97				ANI17	
P100	I/O	Port 10 P100 to P105 can be set to analog input. For P106 and P107, use of an on-chip pull-up resistor can be specified by a software setting. For input to P107, the threshold level can be specified.	Analog input port	ANI18	
P101				ANI19	
P102				ANI20	
P103				ANI21	
P104				ANI22	
P105			ANI23	Input port	(LTXD1)
P106			(LRXD1)		
P107					

Remark Functions in parentheses in the above table can be assigned via settings in the peripheral I/O redirection registers (PIOR). Only the STOPST function of P52 can be assigned via settings in the STOP status output control register (STPSTC).

(3/3)

Function Name	I/O	Function	After Reset	Alternate Function
P110	I/O	Port 11 Use of an on-chip pull-up resistor can be specified by a software setting.	Input port	T120/TO20
P111				T121/TO21
P112				T122/TO22
P113				T123/TO23
P114				T124/TO24
P115				T125/TO25
P116				T126/TO26
P117				T127/TO27
P120	I/O	Port 12 Input of P125 can be set to TTL input buffer. P120 and P125 can be set to analog input. For P120 and P125 to P127, use of an on-chip pull-up resistor can be specified by a software setting. Output from P120 can be set to N-ch open-drain output. For input to P125, the threshold level can be specified.	Analog input port	ANI25/TI07/TO07/TRDIOD0/SO01/INTP4
P121			Input port	X1
P122				X2/EXCLK
P123				XT1
P124				XT2/EXCLKS
P125	I/O		Analog input port	ANI24/TI03/TO03/TRDIOD0/SSI01/INTP1/SNZOUT1
P126			Input port	(TI01)/(TO01)
P127				(TI03)/(TO03)
P130	Output	Port 13	Output port	RESOUT
P131	I/O	For P131 to P136, use of an on-chip pull-up resistor can be specified by a software setting.	Input port	INTP14
P132				
P133				
P134				
P135				
P136				
P137			Input	
P140	I/O	Port 14 Use of an on-chip pull-up resistor can be specified by a software setting.	Input port	PCLBUZ0/(TI20)/(TO20)
P141				(TI21)/(TO21)
P142				(TI22)/(TO22)
P143				(TI23)/(TO23)
P144				(TI24)/(TO24)
P145				(TI25)/(TO25)
P146				(TI26)/(TO26)
P147				(TI27)/(TO27)
P150				I/O
P151	(SO11)/SO21			
P152	(SI11)/SI21			
P153	(SCK11)/SCK21			
P154	(SNZOUT7)/LRXD2			
P155	(SNZOUT6)/LTXD2			
P156	(SNZOUT5)/SI20/RXD2			
P157	(SNZOUT4)/SO20/TXD2			
P160	I/O	Port 16 Use of an on-chip pull-up resistor can be specified by a software setting.	Input port	
P161				
P162				
P163				
P164				
P165				
P166				
P167				

Remark Functions in parentheses in the above table can be assigned via settings in the peripheral I/O redirection registers (PIOR).

2.1.2 RL78/F15 100-pin products

(1/3)

Function Name	I/O	Function	After Reset	Alternate Function
P00	I/O	Port 0 Use of an on-chip pull-up resistor can be specified by a software setting. For input to P00, the threshold level can be specified.	Input port	(TI05)/(TO05)/INTP9/SCK20
P01				(TI04)/(TO04)
P02				(TI06)/(TO06)
P03				(RTC1HZ)
P10	I/O	Port 1 Input of P10, P11, P13, P14, P16, and P17 can be set to TTL input buffer. Use of an on-chip pull-up resistor can be specified by a software setting. Output from P10 to P17 can be set to N-ch open-drain output. For input to P10, P11, P13, P14, P16, and P17, the threshold level can be specified.	Input port	TI13/TO13/TRJ00/SCK10/SCL10/LTXD0/CTXD0
P11				TI12/TO12/(TRDIOB0)/SI10/SDA10/RXD1/LRXD1/CRXD0
P12				TI11/TO11/(TRDIOD0)/INTP5/SO10/TXD1/SNZOUT3
P13				TI04/TO04/TRDIOA0/TRDCLK0/SI01/SDA01/LTXD0
P14				TI06/TO06/TRDIOC0/SCK01/SCL01/LRXD0
P15				TI05/TO05/TRDIOA1/(TRDIOA0)/(TRDCLK0)/SO00/TXD0/TOOLTXD/RTC1HZ
P16				TI02/TO02/TRDIOC1/SI00/SDA00/RXD0/TOOLRXD
P17				TI00/TO00/TRDIOB1/SCK00/SCL00/INTP3
P30	I/O	Port 3 Input of P30 can be set to TTL input buffer. P33 and P34 can be set to analog input. For input to P30 to P32, use of an on-chip pull-up resistor can be specified by a software setting. For input to P30 the threshold level can be specified.	Input port	TI01/TO01/TRDIOD1/SSI00/INTP2/SNZOUT0
P31				TI14/TO14/STOPST/(INTP2)
P32				TI16/TO16/INTP7
P33			Analog input port	AVREFP/ANI0
P34				AVREFM/ANI1
P40	I/O	Port 4 Use of an on-chip pull-up resistor can be specified by a software setting. For input to P43, the threshold level can be specified.	Input port	TOOL0
P41				TI10/TO10/TRJIO0/VCOUT0/SNZOUT2
P42				(LTXD0)
P43				(LRXD0)
P44				(TI07)/(TO07)
P45				(TI10)/(TO10)
P46				(TI12)/(TO12)
P47				INTP13
P50	I/O	Port 5 Input of P54 can be set to TTL input buffer. Use of an on-chip pull-up resistor can be specified by a software setting. For input to P50 and P52 to P54, the threshold level can be specified.	Input port	(SSI01)/(INTP3)/(IERXD)
P51				(SO01)/INTP11/(IETXD)
P52				(SCK01)/(STOPST)
P53				(SI01)/INTP10
P54				(TI11)/(TO11)/SSI10
P55				(TI13)/(TO13)
P56				(TI15)/(TO15)/(SNZOUT1)
P57				(TI17)/(TO17)/(SNZOUT0)

Remark Functions in parentheses in the above table can be assigned via settings in the peripheral I/O redirection registers (PIOR). Only the STOPST function of P52 can be assigned via settings in the STOP status output control register (STPSTC).

(2/3)

Function Name	I/O	Function	After Reset	Alternate Function
P60	I/O	Port 6 Input of P62 and P63 can be set to TTL input buffer. Use of an on-chip pull-up resistor can be specified by a software setting. Output from P60 to P63 can be set to N-ch open-drain output. For input to P60 to P63, the threshold level can be specified.	Input port	(SCK00)/(SCL00)/CRXD1/IERXD
P61				(SI00)/(SDA00)/(RXD0)/CTXD1/IETXD
P62				(SO00)/(TXD0)/SCLA0
P63				(SSI00)/SDAA0
P64				(TI14)/(TO14)/(SNZOUT3)
P65				(TI16)/(TO16)/(SNZOUT2)
P66				(TI00)/(TO00)
P67				(TI02)/(TO02)
P70	I/O	Port 7 Input of P70, P71, and P73 can be set to TTL input buffer. P70 to P74 can be set to analog input. Use of an on-chip pull-up resistor can be specified by a software setting. Output from P70 to P72 can be set to N-ch open-drain output. For input to P70, P71, P73, and P75 to P77, the threshold level can be specified.	Analog input port	ANI26/KR0/TI15/TO15/INTP8/SI11/SDA11/SNZOUT4
P71				ANI27/KR1/TI17/TO17/INTP6/SCK11/SCL11/SNZOUT5
P72				ANI28/KR2/(CTXD0)/SO11/SNZOUT6
P73				ANI29/KR3/(CRXD0)/SSI11/SNZOUT7
P74			ANI30/KR4/(SO10)/(TXD1)	Input port
P75			KR5/(SI10)/(RXD1)	
P76			KR6/(SCKT0)	
P77			KR7/(SSI10)/INTP12	
P80	I/O	Port 8 P80 to P87 can be set to analog input.	Analog input port	ANI2/AN00
P81				ANI3/IVCMP00
P82				ANI4/IVCMP01
P83				ANI5/IVCMP02
P84				ANI6/IVCMP03
P85				ANI7/IVREF0
P86				ANI8
P87				ANI9
P90	I/O	Port 9 P90 to P97 can be set to analog input.	Analog input port	ANI10
P91				ANI11
P92				ANI12
P93				ANI13
P94				ANI14
P95				ANI15
P96				ANI16
P97				ANI17
P100	I/O	Port 10 P100 to P105 can be set to analog input. For P106 and P107, use of an on-chip pull-up resistor can be specified by a software setting. For input to P107, the threshold level can be specified.	Analog input port	ANI18
P101				ANI19
P102				ANI20
P103				ANI21
P104				ANI22
P105				ANI23
P106			Input port	(LTXD1)
P107				(LRXD1)
P120	I/O	Port 12 Input of P125 can be set to TTL input buffer. P120 and P125 can be set to analog input. For P120 and P125 to P127, use of an on-chip pull-up resistor can be specified by a software setting. Output from P120 can be set to N-ch open-drain output. For input to P125, the threshold level can be specified.	Analog input port	ANI25/TI07/TO07/TRDIOD0/SO01/INTP4
P121			Input port	X1
P122				X2/EXCLK
P123				XT1
P124	XT2/EXCLKS	Analog input port		
P125	ANI24/TI03/TO03/TRDIOD0/SSI01/INTP1/SNZOUT1			
P126	Input port		(TI01)/(TO01)	
P127		(TI03)/(TO03)		

Remark Functions in parentheses in the above table can be assigned via settings in the peripheral I/O redirection registers (PIOR).

(3/3)

Function Name	I/O	Function	After Reset	Alternate Function
P130	Output	Port 13	Output port	RESOUT
P137	Input		Input port	INTP0
P140	I/O	Port 14 Use of an on-chip pull-up resistor can be specified by a software setting.	Input port	PCLBUZ0
P150	I/O	Port 15 Use of an on-chip pull-up resistor can be specified by a software setting. For input to P150, P152 to P154 and P156, the threshold level can be specified.	Input port	($\overline{\text{SSI11}}$)
P151				(SO11)/SO21
P152				(SI11)/SI21
P153				($\overline{\text{SCK11}}$)/SCK21
P154				(SNZOUT7)/LRXD2
P155				(SNZOUT6)/LTXD2
P156				(SNZOUT5)/SI20/RXD2
P157				(SNZOUT4)/SO20/TXD2

Remark Functions in parentheses in the above table can be assigned via settings in the peripheral I/O redirection registers (PIOR).

2.1.3 RL78/F15 80-pin products

(1/2)

Function Name	I/O	Function	After Reset	Alternate Function
P00	I/O	Port 0 Use of an on-chip pull-up resistor can be specified by a software setting.	Input port	(TI05)/(TO05)/INTP9
P01				(TI04)/(TO04)
P02				(TI06)/(TO06)
P03				(RTC1HZ)
P10	I/O	Port 1 Input of P10, P11, P13, P14, P16, and P17 can be set to TTL input buffer. Use of an on-chip pull-up resistor can be specified by a software setting. Output from P10 to P17 can be set to N-ch open-drain output. For input to P10, P11, P13, P14, P16, and P17, the threshold level can be specified.	Input port	TI13/TO13/TRJ00/SCK10/SCL10/LTXD0/CTXD0
P11				TI12/TO12/(TRDIOB0)/SI10/SDA10/RXD1/LRXD1/CRXD0
P12				TI11/TO11/(TRDIOD0)/INTP5/SO10/TXD1/SNZOUT3
P13				TI04/TO04/TRDIOA0/TRDCLK0/SI01/SDA01/LTXD0
P14				TI06/TO06/TRDIOC0/SCK01/SCL01/LRXD0
P15				TI05/TO05/TRDIOA1/(TRDIOA0)/(TRDCLK0)/SO00/TXD0/TOOLTXD/RTC1HZ
P16				TI02/TO02/TRDIOC1/SI00/SDA00/RXD0/TOOLRXD
P17				TI00/TO00/TRDIOB1/SCK00/SCL00/INTP3
P30	I/O	Port 3 Input of P30 can be set to TTL input buffer. P33 and P34 can be set to analog input. For input to P30 to P32, use of an on-chip pull-up resistor can be specified by a software setting. For input to P30 the threshold level can be specified.	Input port	TI01/TO01/TRDIOD1/SSI00/INTP2/SNZOUT0
P31				TI14/TO14/STOPST/(INTP2)
P32				TI16/TO16/INTP7
P33			Analog input port	AVREFP/ANI0
P34				AVREFM/ANI1
P40	I/O	Port 4 Use of an on-chip pull-up resistor can be specified by a software setting. For input to P43, the threshold level can be specified.	Input port	TOOL0
P41				TI10/TO10/TRJIO0/VCOUT0/SNZOUT2
P42				(LTXD0)
P43				(LRXD0)
P44				(TI07)/(TO07)
P45				(TI10)/(TO10)
P46				(TI12)/(TO12)
P47				INTP13
P50	I/O	Port 5 Input of P54 can be set to TTL input buffer. Use of an on-chip pull-up resistor can be specified by a software setting. For input to P50 and P52 to P54, the threshold level can be specified.	Input port	(SSI01)/(INTP3)/(IERXD)
P51				(SO01)/INTP11/(IETXD)
P52				(SCK01)/(STOPST)
P53				(SI01)/INTP10
P54				(TI11)/(TO11)/SSI10
P55				(TI13)/(TO13)
P56				(TI15)/(TO15)/(SNZOUT1)
P57				(TI17)/(TO17)/(SNZOUT0)

Remark Functions in parentheses in the above table can be assigned via settings in the peripheral I/O redirection registers (PIOR). Only the STOPST function of P52 can be assigned via settings in the STOP status output control register (STPSTC).

(2/2)

Function Name	I/O	Function	After Reset	Alternate Function
P60	I/O	Port 6 Input of P62 and P63 can be set to TTL input buffer. Use of an on-chip pull-up resistor can be specified by a software setting. Output from P60 to P63 can be set to N-ch open-drain output. For input to P60 to P63, the threshold level can be specified.	Input port	(SCK00)/(SCL00)/CRXD1/IERXD
P61				(SI00)/(SDA00)/(RXD0)/CTXD1/IETXD
P62				(SO00)/(TXD0)/SCLA0
P63				(SSI00)/SDAA0
P64				(TI14)/(TO14)/(SNZOUT3)
P65				(TI16)/(TO16)/(SNZOUT2)
P66				(TI00)/(TO00)
P67				(TI02)/(TO02)
P70	I/O	Port 7 Input of P70, P71, and P73 can be set to TTL input buffer. P70 to P74 can be set to analog input. Use of an on-chip pull-up resistor can be specified by a software setting. Output from P70 to P72 can be set to N-ch open-drain output. For input to P70, P71, P73, and P75 to P77, the threshold level can be specified.	Analog input port	ANI26/KR0/TI15/TO15/INTP8/SI11/SDA11/SNZOUT4
P71				ANI27/KR1/TI17/TO17/INTP6/SCK11/SCL11/SNZOUT5
P72				ANI28/KR2/(CTXD0)/SO11/SNZOUT6
P73				ANI29/KR3/(CRXD0)/SSI11/SNZOUT7
P74			ANI30/KR4/(SO10)/(TXD1)	
P75			Input port	KR5/(SI10)/(RXD1)
P76				KR6/(SCK10)
P77				KR7/(SSI10)/INTP12
P80	I/O	Port 8 P80 to P87 can be set to analog input.	Analog input port	ANI2/AN00
P81				ANI3/IVCMP00
P82				ANI4/IVCMP01
P83				ANI5/IVCMP02
P84				ANI6/IVCMP03
P85				ANI7/IVREF0
P86				ANI8
P87				ANI9
P90	I/O	Port 9 P90 to P97 can be set to analog input.	Analog input port	ANI10
P91				ANI11
P92				ANI12
P93				ANI13
P94				ANI14
P95				ANI15
P96				ANI16
P97				ANI17
P120	I/O	Port 12 Input of P125 can be set to TTL input buffer. P120 and P125 can be set to analog input. For P120, P125 and P126 use of an on-chip pull-up resistor can be specified by a software setting.	Analog input port	ANI25/TI07/TO07/TRDIOD0/SO01/INTP4
P121			Input	Input port
P122	X2/EXCLK			
P123	XT1			
P124	I/O	For input to P125, the threshold level can be specified.	Analog input port	ANI24/TI03/TO03/TRDIOB0/SSI01/INTP1/SNZOUT1
P125				Input port
P126				
P130	Output	Port 13	Output port	RESOUT
P137	Input		Input port	INTP0
P140	I/O	Port 14 Use of an on-chip pull-up resistor can be specified by a software setting.	Input port	PCLBUZ0

Remark Functions in parentheses in the above table can be assigned via settings in the peripheral I/O redirection registers (PIOR).

2.1.4 RL78/F15 64-pin products

(1/2)

Function Name	I/O	Function	After Reset	Alternate Function
P00	I/O	Port 0 Use of an on-chip pull-up resistor can be specified by a software setting.	Input port	(TI05)/(TO05)/INTP9
P10	I/O	Port 1 Input of P10, P11, P13, P14, P16, and P17 can be set to TTL input buffer. Use of an on-chip pull-up resistor can be specified by a software setting. Output from P10 to P17 can be set to N-ch open-drain output. For input to P10, P11, P13, P14, P16, and P17, the threshold level can be specified.	Input port	T113/TO13/TRJ00/SCK10/SCL10/LTXD1/CTXD0
P11				T112/TO12/(TRDIOB0)/SI10/SDA10/RXD1/LRXD1/CRXD0
P12				T111/TO11/(TRDIOD0)/INTP5/SO10/TXD1/SNZOUT3
P13				T104/TO04/TRDIOA0/TRDCLK0/SI01/SDA01/LTXD0
P14				T106/TO06/TRDIOC0/SCK01/SCL01/LRXD0
P15				T105/TO05/TRDIOA1/(TRDIOA0)/(TRDCLK0)/SO00/TXD0/TOOLTXD/RTC1HZ
P16				T102/TO02/TRDIOC1/SI00/SDA00/RXD0/TOOLRXD
P17				T100/TO00/TRDIOB1/SCK00/SCL00/INTP3
P30	I/O	Port 3 Input of P30 can be set to TTL input buffer. P33 and P34 can be set to analog input. For input to P30 to P32, use of an on-chip pull-up resistor can be specified by a software setting. For input to P30 the threshold level can be specified.	Input port	T101/TO01/TRDIOD1/SSI00/INTP2/SNZOUT0
P31				T114/TO14/STOPST/(INTP2)
P32				T116/TO16/INTP7
P33			Analog input port	AVREFP/ANI0
P34				AVREFM/ANI1
P40	I/O	Port 4 Use of an on-chip pull-up resistor can be specified by a software setting. For input to P43, the threshold level can be specified.	Input port	TOOL0
P41				T110/TO10/TRJIO0/VCOUT0/SNZOUT2
P42				(LTXD0)
P43				(LRXD0)
P50	I/O	Port 5 Use of an on-chip pull-up resistor can be specified by a software setting. For input to P50, P52 and P53 the threshold level can be specified.	Input port	(SSI01)/(INTP3)/(IERXD)
P51				(SO01)/INTP11/(IETXD)
P52				(SCK01)/(STOPST)
P53				(SI01)/INTP10
P60	I/O	Port 6 Input of P62 and P63 can be set to TTL input buffer. Use of an on-chip pull-up resistor can be specified by a software setting. Output from P60 to P63 can be set to N-ch open-drain output. For input to P60 to P63, the threshold level can be specified.	Input port	(SCK00)/(SCL00)/CRXD1/IERXD
P61				(SI00)/(SDA00)/(RXD0)/CTXD1/IETXD
P62				(SO00)/(TXD0)/SCLA0
P63				(SSI00)/SDAA0
P70	I/O	Port 7 Input of P70, P71, and P73 can be set to TTL input buffer. P70 can be set to analog input. Use of an on-chip pull-up resistor can be specified by a software setting. Output from P70 to P72 can be set to N-ch open-drain output. For input to P70, P71, P73, and P75 to P77, the threshold level can be specified.	Analog input port	ANI26/KR0/TI15/TO15/INTP8/SI11/SDA11/SNZOUT4
P71				KR1/TI17/TO17/INTP6/SCK11/SCL11/SNZOUT5
P72				KR2/(CTXD0)/SO11/SNZOUT6
P73				KR3/(CRXD0)/SSI11/SNZOUT7
P74			Input port	KR4/(SO10)/(TXD1)
P75				KR5/(SI10)/(RXD1)
P76				KR6/(SCK10)
P77				KR7/(SSI10)/INTP12

Remark Functions in parentheses in the above table can be assigned via settings in the peripheral I/O redirection registers (PIOR).

(2/2)

Function Name	I/O	Function	After Reset	Alternate Function	
P80	I/O	Port 8 P80 to P87 can be set to analog input.	Analog input port	ANI2/AN00	
P81				ANI3/IVCMP00	
P82				ANI4/IVCMP01	
P83				ANI5/IVCMP02	
P84				ANI6/IVCMP03	
P85				ANI7/IVREF0	
P86				ANI8	
P87				ANI9/(KR0)	
P90	I/O	Port 9 P90 to P96 can be set to analog input.	Analog input port	ANI10/(KR1)	
P91				ANI11/(KR2)	
P92				ANI12/(KR3)	
P93				ANI13/(KR4)	
P94				ANI14/(KR5)	
P95				ANI15/(KR6)	
P96				ANI16/(KR7)	
P120				I/O	Port 12 Input of P125 can be set to TTL input buffer. P120 and P125 can be set to analog input. For P120 and P125 use of an on-chip pull-up resistor can be specified by a software setting.
P121	Input	Input port	X1		
P122			X2/EXCLK		
P123			XT1		
P124	I/O	Output from P120 can be set to N-ch open-drain output. For input to P125, the threshold level can be specified.	Analog input port	ANI24/TI03/TO03/TRDIOD0/ SSI01/INTP1/SNZOUT1	
P125				Input port	(TI01)/(TO01)
P126				Output port	RESOUT
P130	Output	Port 13	Output port	RESOUT	
P137	Input		Input port	INTP0	
P140	I/O	Port 14 Use of an on-chip pull-up resistor can be specified by a software setting.	Input port	PCLBUZ0	

Remark Functions in parentheses in the above table can be assigned via settings in the peripheral I/O redirection registers (PIOR).

2.1.5 RL78/F15 48-pin products

(1/2)

Function Name	I/O	Function	After Reset	Alternate Function
P00	I/O	Port 0 Use of an on-chip pull-up resistor can be specified by a software setting.	Input port	(TI05)/(TO05)/INTP9
P10	I/O	Port 1 Input of P10, P11, P13, P14, P16, and P17 can be set to TTL input buffer. Use of an on-chip pull-up resistor can be specified by a software setting. Output from P10 to P17 can be set to N-ch open-drain output. For input to P10, P11, P13, P14, P16, and P17, the threshold level can be specified.	Input port	T113/TO13/TRJ00/SCK10/SCL10/LTXD1/CTXD0
P11				T112/TO12/(TRDIOB0)/SI10/SDA10/RXD1/LRXD1/CRXD0
P12				T111/TO11/(TRDIOD0)/INTP5/SO10/TXD1/SNZOUT3
P13				T104/TO04/TRDIOA0/TRDCLK0/SI01/SDA01/LTXD0
P14				T106/TO06/TRDIOC0/SCK01/SCL01/LRXD0
P15				T105/TO05/TRDIOA1/(TRDIOA0)/(TRDCLK0)/SO00/TXD0/TOOLTXD/RTC1HZ
P16				T102/TO02/TRDIOC1/SI00/SDA00/RXD0/TOOLRXD
P17				T100/TO00/TRDIOB1/SCK00/SCL00/INTP3
P30	I/O	Port 3 Input of P30 can be set to TTL input buffer. P33 and P34 can be set to analog input. For input to P30 to P32, use of an on-chip pull-up resistor can be specified by a software setting. For input to P30 the threshold level can be specified.	Input port	T101/TO01/TRDIOD1/SSI00/INTP2/SNZOUT0
P31				T114/TO14/STOPST/(INTP2)
P32				T116/TO16/INTP7
P33			Analog input port	AVREFP/ANI0
P34				AVREFM/ANI1
P40	I/O	Port 4 Use of an on-chip pull-up resistor can be specified by a software setting.	Input port	TOOL0
P41				T110/TO10/TRJIO0/VCOUT0/SNZOUT2
P60	I/O	Port 6 Input of P62 and P63 can be set to TTL input buffer. Use of an on-chip pull-up resistor can be specified by a software setting. Output from P60 to P63 can be set to N-ch open-drain output. For input to P60 to P63, the threshold level can be specified.	Input port	(SCK00)/(SCL00)/CRXD1/IERXD
P61				(SI00)/(SDA00)/(RXD0)/CTXD1/IETXD
P62				(SO00)/(TXD0)/SCLA0
P63				(SSI00)/SDAA0
P70	I/O	Port 7 Input of P70, P71, and P73 can be set to TTL input buffer. P70 to P72 can be set to analog input. Use of an on-chip pull-up resistor can be specified by a software setting. Output from P70 to P72 can be set to N-ch open-drain output. For input to P70, P71, and P73 the threshold level can be specified.	Analog input port	ANI26/KR0/TI15/TO15/INTP8/SI11/SDA11/SNZOUT4
P71				ANI27/KR1/TI17/TO17/INTP6/SCK11/SCL11/SNZOUT5
P72				ANI28/KR2/(CTXD0)/SO11/SNZOUT6
P73				KR3/(CRXD0)/SSI11/SNZOUT7
P80	I/O	Port 8 P80 to P87 can be set to analog input.	Analog input port	ANI2/ANO0
P81				ANI3/IVCMP00
P82				ANI4/IVCMP01
P83				ANI5/(KR0)/IVCMP02
P84				ANI6/(KR1)/IVCMP03
P85				ANI7/(KR2)/IVREF0
P86				ANI8/(KR3)
P87				ANI9/(KR4)
P90	I/O	Port 9 P90 to P92 can be set to analog input.	Analog input port	ANI10/(KR5)
P91				ANI11/(KR6)
P92				ANI12/(KR7)

Remark Functions in parentheses in the above table can be assigned via settings in the peripheral I/O redirection registers (PIOR).

(2/2)

Function Name	I/O	Function	After Reset	Alternate Function
P120	I/O	Port 12 Input of P125 can be set to TTL input buffer. P120 and P125 can be set to analog input. For P120 and P125 use of an on-chip pull-up resistor can be specified by a software setting. Output from P120 can be set to N-ch open-drain output. For input to P125, the threshold level can be specified.	Analog input port	ANI25/TI07/TO07/TRDIOD0/SO01/INTP4
P121	Input		Input port	X1
P122				X2/EXCLK
P123				XT1
P124				XT2/EXCLKS
P125	I/O	Analog input port	ANI24/TI03/TO03/TRDIOB0/SSI01/INTP1/SNZOUT1	
P126	Input port		(TI01)/(TO01)	
P130	Output	Port 13	Output port	RESOUT
P137	Input		Input port	INTP0
P140	I/O	Port 14 Use of an on-chip pull-up resistor can be specified by a software setting.	Input port	PCLBUZ0

Remark Functions in parentheses in the above table can be assigned via settings in the peripheral I/O redirection registers (PIOR).

2.1.6 Pins for each product (pins other than port pins)

This subchapter shows the pins other than the ports shown in tables 2-2.

√ indicates the pin that is provided in the product and — indicates the pin that is not provided.

Table 2-2. List of RL78/F15 Pins Other than Port Pins (1/5)

Pin Function	I/O	Function	Pin Count				
			144-pin	100-pin	80-pin	64-pin	48-pin
ANI0	Input	A/D converter analog input (V_{DD} connection)	√	√	√	√	√
ANI1	Input		√	√	√	√	√
ANI2	Input		√	√	√	√	√
ANI3	Input		√	√	√	√	√
ANI4	Input		√	√	√	√	√
ANI5	Input		√	√	√	√	√
ANI6	Input		√	√	√	√	√
ANI7	Input		√	√	√	√	√
ANI8	Input		√	√	√	√	√
ANI9	Input		√	√	√	√	√
ANI10	Input		√	√	√	√	√
ANI11	Input		√	√	√	√	√
ANI12	Input		√	√	√	√	√
ANI13	Input		√	√	√	√	—
ANI14	Input		√	√	√	√	—
ANI15	Input		√	√	√	√	—
ANI16	Input		√	√	√	√	—
ANI17	Input		√	√	√	—	—
ANI18	Input		√	√	—	—	—
ANI19	Input		√	√	—	—	—
ANI20	Input		√	√	—	—	—
ANI21	Input		√	√	—	—	—
ANI22	Input		√	√	—	—	—
ANI23	Input	√	√	—	—	—	
ANI24	Input	A/D converter analog input (EV_{DD} connection)	√	√	√	√	√
ANI25	Input		√	√	√	√	√
ANI26	Input		√	√	√	√	√
ANI27	Input		√	√	√	—	√
ANI28	Input		√	√	√	—	√
ANI29	Input		√	√	√	—	—
ANI30	Input		√	√	√	—	—
IVCMP00	Input	Comparator analog voltage input	√	√	√	√	√
IVCMP01	Input		√	√	√	√	√
IVCMP02	Input		√	√	√	√	√
IVCMP03	Input		√	√	√	√	√
IVREF0	Input	Comparator reference voltage input	√	√	√	√	√

Table 2-2. List of RL78/F15 Pins Other than Port Pins (2/5)

Pin Function	I/O	Function	Pin Count				
			144-pin	100-pin	80-pin	64-pin	48-pin
KR0	Input	Key interrupt input	√	√	√	√	√
KR1	Input		√	√	√	√	√
KR2	Input		√	√	√	√	√
KR3	Input		√	√	√	√	√
KR4	Input		√	√	√	√	√
KR5	Input		√	√	√	√	√
KR6	Input		√	√	√	√	√
KR7	Input		√	√	√	√	√
ANO0	Output	D/A converter output	√	√	√	√	√
VCOUT0	Output	Comparator output	√	√	√	√	√
TI00	Input	16-bit timer 00 input	√	√	√	√	√
TI01	Input	16-bit timer 01 input (8-bit mode available)	√	√	√	√	√
TI02	Input	16-bit timer 02 input	√	√	√	√	√
TI03	Input	16-bit timer 03 input (8-bit mode available)	√	√	√	√	√
TI04	Input	16-bit timer 04 input	√	√	√	√	√
TI05	Input	16-bit timer 05 input	√	√	√	√	√
TI06	Input	16-bit timer 06 input	√	√	√	√	√
TI07	Input	16-bit timer 07 input	√	√	√	√	√
TI10	Input	16-bit timer 10 input	√	√	√	√	√
TI11	Input	16-bit timer 11 input (8-bit mode available)	√	√	√	√	√
TI12	Input	16-bit timer 12 input	√	√	√	√	√
TI13	Input	16-bit timer 13 input (8-bit mode available)	√	√	√	√	√
TI14	Input	16-bit timer 14 input	√	√	√	√	√
TI15	Input	16-bit timer 15 input	√	√	√	√	√
TI16	Input	16-bit timer 16 input	√	√	√	√	√
TI17	Input	16-bit timer 17 input	√	√	√	√	√
TI20	Input	16-bit timer 20 input	√	—	—	—	—
TI21	Input	16-bit timer 21 input	√	—	—	—	—
TI22	Input	16-bit timer 22 input	√	—	—	—	—
TI23	Input	16-bit timer 23 input	√	—	—	—	—
TI24	Input	16-bit timer 24 input	√	—	—	—	—
TI25	Input	16-bit timer 25 input	√	—	—	—	—
TI26	Input	16-bit timer 26 input	√	—	—	—	—
TI27	Input	16-bit timer 27 input	√	—	—	—	—
TO00	Output	16-bit timer 00 output	√	√	√	√	√
TO01	Output	16-bit timer 01 output (8-bit mode available)	√	√	√	√	√
TO02	Output	16-bit timer 02 output	√	√	√	√	√
TO03	Output	16-bit timer 03 output (8-bit mode available)	√	√	√	√	√
TO04	Output	16-bit timer 04 output	√	√	√	√	√
TO05	Output	16-bit timer 05 output	√	√	√	√	√
TO06	Output	16-bit timer 06 output	√	√	√	√	√
TO07	Output	16-bit timer 07 output	√	√	√	√	√
TO10	Output	16-bit timer 10 output	√	√	√	√	√

Table 2-2. List of RL78/F15 Pins Other than Port Pins (3/5)

Pin Function	I/O	Function	Pin Count				
			144pin	100-pin	80-pin	64-pin	48-pin
TO11	Output	16-bit timer 11 output (8-bit mode available)	√	√	√	√	√
TO12	Output	16-bit timer 12 output	√	√	√	√	√
TO13	Output	16-bit timer 13 output (8-bit mode available)	√	√	√	√	√
TO14	Output	16-bit timer 14 output	√	√	√	√	√
TO15	Output	16-bit timer 15 output	√	√	√	√	√
TO16	Output	16-bit timer 16 output	√	√	√	√	√
TO17	Output	16-bit timer 17 output	√	√	√	√	√
TO20	Output	16-bit timer 20 output	√	—	—	—	—
TO21	Output	16-bit timer 21 output	√	—	—	—	—
TO22	Output	16-bit timer 22 output	√	—	—	—	—
TO23	Output	16-bit timer 23 output	√	—	—	—	—
TO24	Output	16-bit timer 24 output	√	—	—	—	—
TO25	Output	16-bit timer 25 output	√	—	—	—	—
TO26	Output	16-bit timer 26 output	√	—	—	—	—
TO27	Output	16-bit timer 27 output	√	—	—	—	—
TRJIO0	I/O	Timer RJ input/output	√	√	√	√	√
TRJO0	Output	Timer RJ output	√	√	√	√	√
TRDCLK0	Input	Timer RD external clock input	√	√	√	√	√
TRDIOA0	I/O	Timer RD0 input/output	√	√	√	√	√
TRDIOB0	I/O		√	√	√	√	√
TRDIOC0	I/O		√	√	√	√	√
TRDIOD0	I/O		√	√	√	√	√
TRDIOA1	I/O	Timer RD1 input/output	√	√	√	√	√
TRDIOB1	I/O		√	√	√	√	√
TRDIOC1	I/O		√	√	√	√	√
TRDIOD1	I/O		√	√	√	√	√
RXD0	Input	Serial data input to UART0	√	√	√	√	√
RXD1	Input	Serial data input to UART1	√	√	√	√	√
RXD2	Input	Serial data input to UART2	√	√	—	—	—
TXD0	Output	Serial data output from UART0	√	√	√	√	√
TXD1	Output	Serial data output from UART1	√	√	√	√	√
TXD2	Output	Serial data output from UART2	√	√	—	—	—
SCLA0	I/O	Clock input/output for IICA0	√	√	√	√	√
SCL00	Output	Clock output from simplified I ² C	√	√	√	√	√
SCL01	Output		√	√	√	√	√
SCL10	Output		√	√	√	√	√
SCL11	Output		√	√	√	√	√
SDAA0	I/O	Serial data input/output for IICA0	√	√	√	√	√
SDA00	I/O	Serial data input/output for simplified I ² C	√	√	√	√	√
SDA01	I/O		√	√	√	√	√
SDA10	I/O		√	√	√	√	√
SDA11	I/O		√	√	√	√	√
SCK00	I/O	Clock input/output for CSI00	√	√	√	√	√
SCK01	I/O	Clock input/output for CSI01	√	√	√	√	√

Table 2-2. List of RL78/F15 Pins Other than Port Pins (4/5)

Pin Function	I/O	Function	Pin Count				
			144-pin	100-pin	80-pin	64-pin	48-pin
$\overline{\text{SCK10}}$	I/O	Clock input/output for CSI10	√	√	√	√	√
$\overline{\text{SCK11}}$	I/O	Clock input/output for CSI11	√	√	√	√	√
$\overline{\text{SCK20}}$	I/O	Clock input/output for CSI20	√	√	—	—	—
$\overline{\text{SCK21}}$	I/O	Clock input/output for CSI21	√	√	—	—	—
SI00	Input	Serial data input to CSI00	√	√	√	√	√
SI01	Input	Serial data input to CSI01	√	√	√	√	√
SI10	Input	Serial data input to CSI10	√	√	√	√	√
SI11	Input	Serial data input to CSI11	√	√	√	√	√
SI20	Input	Serial data input to CSI20	√	√	—	—	—
SI21	Input	Serial data input to CSI21	√	√	—	—	—
SO00	Output	Serial data output from CSI00	√	√	√	√	√
SO01	Output	Serial data output from CSI01	√	√	√	√	√
SO10	Output	Serial data output from CSI10	√	√	√	√	√
SO11	Output	Serial data output from CSI11	√	√	√	√	√
SO20	Output	Serial data output from CSI20	√	√	—	—	—
SO21	Output	Serial data output from CSI21	√	√	—	—	—
$\overline{\text{SSI00}}$	Input	Slave select input to CSI00 (SPI00)	√	√	√	√	√
$\overline{\text{SSI01}}$	Input	Slave select input to CSI01 (SPI01)	√	√	√	√	√
$\overline{\text{SSI10}}$	Input	Slave select input to CSI10 (SPI10)	√	√	√	√	—
$\overline{\text{SSI11}}$	Input	Slave select input to CSI11 (SPI11)	√	√	√	√	√
CRXD0	Input	Serial data input to CAN	√	√	√	√	√
CRXD1			√	√	√	√	√
CTXD0	Output	Serial data output from CAN	√	√	√	√	√
CTXD1			√	√	√	√	√
LRXD0	Input	Serial data input to LIN	√	√	√	√	√
LRXD1	Input		√	√	√	√	√
LRXD2	Input		√	√	—	—	—
LTXD0	Output	Serial data output from LIN	√	√	√	√	√
LTXD1	Output		√	√	√	√	√
LTXD2	Output		√	√	—	—	—
$\overline{\text{IERXD}}$	Input	Serial data input of IEBus	√	√	√	√	√
$\overline{\text{IETXD}}$	Output	Serial data output of IEBus	√	√	√	√	√
INTP0	Input	External interrupt input	√	√	√	√	√
INTP1	Input		√	√	√	√	√
INTP2	Input		√	√	√	√	√
INTP3	Input		√	√	√	√	√
INTP4	Input		√	√	√	√	√
INTP5	Input		√	√	√	√	√
INTP6	Input		√	√	√	√	√
INTP7	Input		√	√	√	√	√
INTP8	Input		√	√	√	√	√
INTP9	Input		√	√	√	√	√
INTP10	Input		√	√	√	√	—
INTP11	Input		√	√	√	√	—

Table 2-2. List of RL78/F15 Pins Other than Port Pins (5/5)

Pin Function	I/O	Function	Pin Count				
			144-pin	100-pin	80-pin	64-pin	48-pin
INTP12	Input	External interrupt input	√	√	√	√	—
INTP13	Input		√	√	√	—	—
INTP14	Input		√	—	—	—	—
INTP15	Input		√	—	—	—	—
PCLBUZ0	Output	Clock output/buzzer output 0	√	√	√	√	√
RESOUT	Output	Reset output	√	√	√	√	√
STOPST	Output	STOP status output	√	√	√	√	√
SNZOUT0	Output	SNOOZE status output	√	√	√	√	√
SNZOUT1	Output		√	√	√	√	√
SNZOUT2	Output		√	√	√	√	√
SNZOUT3	Output		√	√	√	√	√
SNZOUT4	Output		√	√	√	√	√
SNZOUT5	Output		√	√	√	√	√
SNZOUT6	Output		√	√	√	√	√
SNZOUT7	Output		√	√	√	√	√
RTC1HZ	Output	Real-time clock correction clock (1 Hz) output	√	√	√	√	√
EXCLK	Input	External clock input for main system clock	√	√	√	√	√
EXCLKS	Input	External clock input for subsystem clock	√	√	√	√	√
X1	—	Resonator connection for main system clock	√	√	√	√	√
X2	—		√	√	√	√	√
XT1 ^{Note 3}	—	Resonator connection for subsystem clock	√	√	√	√	√
XT2 ^{Note 3}	—		√	√	√	√	√
RESET	Input	External reset input	√	√	√	√	√
REGC	—	Regulator output stabilization capacitance connection for internal operation. Connect to V _{SS} via the capacitor (0.47 to 1 μF).	√	√	√	√	√
V _{DD}	—	Positive power supply for the P33, P34, P80 to P87, P90 to P97, P100 to P105, P121 to P124, P137, and RESET pins	√	√	√	√	√
EV _{DD0}	—	Positive power supply for the pins that are not connected to V _{DD}	√	√	√	√	—
EV _{DD1}	—		√	√	—	—	—
AV _{REFP}	Input	A/D converter reference voltage (+ side) input	√	√	√	√	√
AV _{REFM}	Input	A/D converter reference voltage (- side) input	√	√	√	√	√
V _{SS}	—	Ground potential for the P33, P34, P80 to P87, P90 to P97, P100 to P105, P121 to P124, P137, and RESET pins	√	√	√	√	√
EV _{SS0}	—	Ground potential for the pins that are not connected to V _{SS}	√	√	√	√	—
EV _{SS1}	—		√	√	—	—	—
TOOLRXD	Input	UART reception pin for the external device connection used during flash memory programming	√	√	√	√	√
TOOLTXD	Output	UART transmission pin for the external device connection used during flash memory programming	√	√	√	√	√
TOOL0	I/O	Data input/output for flash memory programmer/debugger	√	√	√	√	√

2.2 Description of Pin Functions

The pins provided depend on the product. See **1.5 Pin Configurations**, for details. This subchapter describes the pin functions of the 144-pin products of RL78/F15.

2.2.1 P00 to P07 (Port 0)

P00 to P03 function as an I/O port. These pins also function as external interrupt request input, clock I/O of serial interface, timer I/O, and real-time clock correction clock output. P01 and P02 are provided only in the 144-pin, 100-pin and 80-pin products. P03 is provided only in the 144-pin and 100-pin products. P04 to P07 are provided only in the 144-pin products.

Use of an on-chip pull-up resistor can be specified by pull-up resistor option register 0 (PU0).

The following operation modes can be specified in 1-bit units.

(1) Port mode

P00 to P03 function as an I/O port. These pins can be set to input or output port in 1-bit units using port mode register 0 (PM0).

(2) Control mode

P00 to P03 function as external interrupt request input, clock I/O of serial interface, real-time clock correction clock output, and timer I/O.

(a) INTP9, INTP15

This is an external interrupt request input pin for which the valid edge (rising edge, falling edge, or both rising and falling edges) can be specified.

(b) $\overline{\text{SCK20}}$

This is a serial clock I/O pin of the CSI20 serial interface.

(c) RTC1HZ

This is a real-time clock correction clock (1 Hz) output pin.

(d) TI04 to TI06

These are pins for inputting an external count clock/capture trigger to 16-bit timers.

(e) TO04 to TO06

These are timer output pins of 16-bit timers.

2.2.2 P10 to P17 (Port 1)

P10 to P17 function as an I/O port. These pins also function as external interrupt request input, real-time clock correction clock output, serial interface data I/O, clock I/O, timer I/O, programming UART I/O, SNOOZE status output, LIN serial data I/O, and CAN serial data I/O.

Use of an on-chip pull-up resistor can be specified by pull-up resistor option register 1 (PU1).

For input to the P10, P11, P13, P14, P16, and P17 pins, a CMOS input buffer or a TTL input buffer can be selected using the port input mode register 1 (PIM1).

For output from the P10 to P17 pins, CMOS output or N-ch open-drain output can be selected using the port output mode register 1 (POM1).

For the P10, P11, P13, P14, P16, and P17 pins, the input threshold level can be specified using the port input threshold control register 1 (PITHL1).

The following operation modes can be specified in 1-bit units.

(1) Port mode

P10 to P17 function as an I/O port. These pins can be set to input or output port in 1-bit units using port mode register 1 (PM1).

(2) Control mode

P10 to P17 function as external interrupt request input, real-time clock correction clock output, serial interface data I/O, clock I/O, timer I/O, programming UART I/O, SNOOZE status output, LIN serial data I/O, and CAN serial data I/O.

(a) INTP3, INTP5

These are external interrupt request input pins for which the valid edge (rising edge, falling edge, or both rising and falling edges) can be specified.

(b) RTC1HZ

This is a real-time clock correction clock (1 Hz) output pin.

(c) TXD0, TXD1

These are serial data output pins of the UART0 and UART1 serial interface.

(d) RXD0, RXD1

These are serial data input pins of the UART0 and UART1 serial interface.

(e) $\overline{\text{SCK00}}$, $\overline{\text{SCK01}}$, $\overline{\text{SCK10}}$

These are serial clock I/O pins of the CSI00, CSI01, and CSI10 serial interface.

(f) SI00, SI01, SI10

These are serial data input pins of the CSI00, CSI01, and CSI10 serial interface.

(g) SO00, SO10

These are serial data output pins of the CSI00 and CSI10 serial interface.

(h) TI00, TI02, TI04 to TI06, TI11 to TI13

These are pins for inputting an external count clock/capture trigger to 16-bit timers.

(i) TO00, TO02, TO04 to TO06, TO11 to TO13

These are timer output pins of 16-bit timers.

(j) SDA00, SDA01, SDA10

These are serial data I/O pins of the simplified I²C serial interface.

(k) SCL00, SCL01, SCL10

These are serial clock I/O pins of the simplified I²C serial interface.

(l) TRDIOA0, TRDIOB0, TRDIOC0, TRDIOD0, TRDIOA1, TRDIOB1, TRDIOC1

These are timer I/O pins of timer RD.

(m) TRDCLK0

This is an external clock input pin of timer RD.

(n) TRJO0

This is a timer output pin of timer RJ.

(o) LTXD0, LTXD1

These are serial data output pins for the LIN.

(p) LRXD0, LRXD1

These are serial data input pins for the LIN.

(q) CTXD0

This is a serial data output pins for the CAN.

(r) CRXD0

This is a serial data input pins for the CAN.

(s) TOOLTXD

This is a UART serial data output pin for the external device connection used during flash memory programming.

(t) TOOLRXD

This is a UART serial data input pin for the external device connection used during flash memory programming.

(u) SNZOUT3

This is a SNOOZE status output pin.

2.2.3 P20 to P27 (Port 2)

P20 to P27 function as an I/O port. These pins also function as serial interface data I/O, and clock I/O. These are provided only in the 144-pin products.

Use of an on-chip pull-up resistor can be specified by pull-up resistor option register 1 (PU1).

For the P20, P21, P24, and P25 pins the input threshold level can be specified using the port input threshold control register 2 (PITHL2).

The following operation modes can be specified in 1-bit units.

(1) Port mode

P20 to P27 function as an I/O port. These pins can be set to input or output port in 1-bit units using port mode register 2 (PM2).

(2) Control mode

P20 to P27 function as data I/O and clock I/O of serial interface.

(a) $\overline{\text{SCK20}}$, $\overline{\text{SCK21}}$

These are serial clock I/O pins of the CSI20 and CSI21 serial interface.

(b) SI20, SI21

These are serial data input pins of the CSI20 and CSI21 serial interface.

(c) SO20, SO21

These are serial data output pins of the CSI20 and CSI21 serial interface.

(d) TXD2

This is a serial data output pin of the UART2 serial interface.

(e) RXD2

This is a serial data input pin of the UART2 serial interface.

2.2.4 P30 to P37 (Port 3)

P30 to P34 function as an I/O port. These pins also function as A/D converter analog input, A/D converter reference voltage input, external interrupt request input, serial interface slave select input, timer I/O, SNOOZE status output, STOP status output, and CAN serial data I/O. P35 to P37 is provided only in the 144-pin products.

Only for P30 to P32 and P35 to P37 use of an on-chip pull-up resistor can be specified by pull-up resistor option register 3 (PU3).

For input to the P30 pin, a CMOS input buffer or a TTL input buffer can be selected using the port input mode register 3 (PIM3).

For the P30 and P37 pins, the input threshold level can be specified using the port input threshold control register 3 (PITHL3).

The following operation modes can be specified in 1-bit units.

(1) Port mode

P30 to P34 function as an I/O port. These pins can be set to input or output port in 1-bit units using port mode register 3 (PM3).

(2) Control mode

P30 to P34 function as A/D converter analog input, A/D converter reference voltage input, external interrupt request input, serial interface slave select input, timer I/O, SNOOZE status output, STOP status output, and CAN serial data I/O.

(a) ANI0, ANI1

These are analog input pins of the A/D converter. For details, see **12.10 (5) Analog input (ANIn) pins**.

(b) AVREFP

This is a reference voltage (+ side) input pin of the A/D converter.

(c) AVREFM

This is a reference voltage (- side) input pin of the A/D converter.

(d) INTP2, INTP7

These are external interrupt request input pins for which the valid edge (rising edge, falling edge, or both rising and falling edges) can be specified.

(e) $\overline{\text{SSI00}}$

This is a slave select input pin of the CSI00 (SPI00) serial interface.

(f) TI01, TI14, TI16

These are pins for inputting an external count clock/capture trigger to 16-bit timers.

(g) TO01, TO14, TO16

These are timer output pins of 16-bit timers.

(h) SNZOUT0

This is a SNOOZE status output pin.

(i) TRDIOD1

This is a timer output pin of timer RD.

(j) STOPST

This is a STOP status output pin.

(k) CTXD1

This is a serial data output pin of the CAN.

(i) CRXD1

This is a serial data input pin of the CAN.

2.2.5 P40 to P47 (Port 4)

P40 to P47 function as an I/O port. These pins also function as data I/O for a flash memory programmer/debugger, timer I/O, comparator output, external interrupt request input, SNOOZE status output, and LIN serial data I/O. P42 and P43 are provided only in the 144-pin, 100-pin, 80-pin, and 64-pin products. P44 to P47 are provided only in the 144-pin, 100-pin, and 80-pin products.

Use of an on-chip pull-up resistor can be specified by pull-up resistor option register 4 (PU4).

For the P43 pin, the input threshold level can be specified using the port input threshold control register 4 (PITHL4).

The following operation modes can be specified in 1-bit units.

(1) Port mode

P40 to P47 function as an I/O port. These pins can be set to input or output port in 1-bit units using port mode register 4 (PM4).

(2) Control mode

P40 to P47 function as data I/O for a flash memory programmer/debugger, timer I/O, comparator output, external interrupt request input, SNOOZE status output, and LIN serial data I/O.

(a) TOOL0

This is a data I/O pin for a flash memory programmer/debugger.

Be sure to pull up this pin externally when on-chip debugging is enabled (pulling it down is prohibited).

(b) TI07, TI10, TI12

These are pins for inputting an external count clock/capture trigger to 16-bit timers.

(c) TO07, TO10, TO12

These are timer output pins of 16-bit timers.

(d) TRJIO0

This is a timer I/O pin of timer RJ.

(e) VCOUNT0

This is a comparator output pin.

(f) INTTP13

This is an external interrupt request input pin for which the valid edge (rising edge, falling edge, or both rising and falling edges) can be specified.

(g) SNZOUT2

This is a SNOOZE status output pin.

(h) LTXD0

This is a serial data output pin for the LIN.

(i) LRXD0

This is a serial data input pin for the LIN.

Caution After reset release, the relationships between P40/TOOL0 and the operating mode are as follows. For details, see 31. 4 Serial Programming Method.

Table 2-3. Relationships Between P40/TOOL0 and Operation Mode After Reset Release

P40/TOOL0	Operating Mode
V_{DD}	Normal operation mode
0 V	Flash memory programming mode

2.2.6 P50 to P57 (Port 5)

P50 to P57 function as an I/O port. These pins also function as external interrupt request input, serial interface slave select input, serial interface data I/O, clock I/O, IEBus serial data I/O, timer I/O, SNOOZE status output, and STOP status output. P50 to P53 are provided only in the 144-pin, 100-pin, 80-pin, and 64-pin products. P54 to P57 are provided only in the 144-pin, 100-pin, and 80-pin products.

Use of an on-chip pull-up resistor can be specified by pull-up resistor option register 5 (PU5).

For input to the P54 pin, a CMOS input buffer or a TTL input buffer can be selected using the port input mode register 5 (PIM5).

For the P50 and P52 to P54 pins, the input threshold level can be specified using the port input threshold control register 5 (PITHL5).

The following operation modes can be specified in 1-bit units.

(1) Port mode

P50 to P57 function as an I/O port. These pins can be set to input or output port in 1-bit units using port mode register 5 (PM5).

(2) Control mode

P50 to P57 function as external interrupt request input, serial interface slave select input, serial interface data I/O, clock I/O, IEBus serial data I/O, timer I/O, SNOOZE status output, and STOP status output.

(a) INTP3, INTP10, INTP11

These are external interrupt request input pins for which the valid edge (rising edge, falling edge, or both rising and falling edges) can be specified.

(b) $\overline{\text{SSI01}}$, $\overline{\text{SSI10}}$

These are slave select pins of the CSI01 (SPI01) and CSI10 (SPI10) serial interface.

(c) $\overline{\text{SCK01}}$

This is a serial clock I/O pin of the CSI01 serial interface.

(d) SI01

This is a serial data input pin of the CSI01 serial interface.

(e) SO01

This is a serial data output pin of the CSI01 serial interface.

(f) IETXD

This is a serial data output pin of IEBus.

(g) IERXD

This is a serial data input pin of IEBus.

(h) TI11, TI13, TI15, TI17

These are pins for inputting an external count clock/capture trigger to 16-bit timers.

(i) TO11, TO13, TO15, TO17

These are timer output pins of 16-bit timers.

(j) SNZOUT0, SNZOUT1

These are SNOOZE status output pins.

(k) STOPST

This is a STOP status output pin.

2.2.7 P60 to P67 (Port 6)

P60 to P67 function as an I/O port. These pins also function as serial interface data I/O, clock I/O, slave select input, CAN serial data I/O, IEBus serial data I/O, timer I/O, and SNOOZE status output. P64 to P67 are provided only in the 144-pin, 100-pin, and 80-pin products.

Use of an on-chip pull-up resistor can be specified by pull-up resistor option register 6 (PU6).

For input to the P62 and P63 pins, a CMOS input buffer or a TTL input buffer can be selected using the port input mode register 6 (PIM6).

For output from the P60 to P63 pins, CMOS output or N-ch open-drain output can be selected using the port output mode register 6 (POM6).

For the P60 to P63 pins, the input threshold level can be specified using the port input threshold control register 6 (PITHL6).

The following operation modes can be specified in 1-bit units.

(1) Port mode

P60 to P67 function as an I/O port. These pins can be set to input or output port in 1-bit units using port mode register 6 (PM6).

(2) Control mode

P60 to P67 function as serial interface data I/O, clock I/O, slave select input, CAN serial data I/O, IEBus serial data I/O, timer I/O, and SNOOZE status output.

(a) SCLA0

This is a serial clock I/O pin of the IICA0 serial interface.

(b) SDAA0

This is a serial data I/O pin of the IICA0 serial interface.

(c) SSI00

This is a slave select input pin of the CSI00 (SPI00) serial interface.

(d) $\overline{\text{SCK00}}$

This is a serial clock I/O pin of the CSI00 serial interface.

(e) SI00

This is a serial data input pin of the CSI00 serial interface.

(f) SO00

This is a serial data output pin of the CSI00 serial interface.

(g) TXD0

This is a serial data output pin of the UART0 serial interface.

(h) RXD0

This is a serial data input pin of the UART0 serial interface.

(i) SCL00

This is a serial clock I/O pin of the simplified I²C serial interface.

(j) SDA00

This is a serial data I/O pin of the simplified I²C serial interface.

(k) CTXD1

This is a serial data output pin of CAN.

(l) CRXD1

This is a serial data input pin of CAN..

(m) $\overline{\text{IETXD}}$

This is a serial data output pin of IEBus.

(n) $\overline{\text{IERXD}}$

This is a serial data input pin of IEBus.

(o) TI00, TI02, TI14, TI16

These are pins for inputting an external count clock/capture trigger to 16-bit timers.

(p) TO00, TO02, TO14, TO16

These are timer output pins of 16-bit timers.

(q) SNZOUT2, SNZOUT3

These are SNOOZE status output pins.

2.2.8 P70 to P77 (Port 7)

P70 to P77 function as an I/O port. These pins also function as A/D converter analog input, external interrupt request input, key interrupt input, serial interface slave select input, data I/O, clock I/O, timer I/O, SNOOZE status output, and CAN serial data I/O. P74 to P77 are provided only in the 144-pin, 100-pin, 80-pin, and 64-pin products.

Use of an on-chip pull-up resistor can be specified by pull-up resistor option register 7 (PU7).

For input to the P70, P71, and P73 pins, a CMOS input buffer or a TTL input buffer can be selected using the port input mode register 7 (PIM7).

For output from the P70 to P72 pins, CMOS output or N-ch open-drain output can be selected using the port output mode register 7 (POM7).

For the P70, P71, P73, and P75 to P77 pins, the input threshold level can be specified using the port input threshold control register 7 (PITHL7).

Input to the P70 to P74 pins can be specified as digital input or analog input in 1-bit units, using the port mode control register 7 (PMC7).

The following operation modes can be specified in 1-bit units.

(1) Port mode

P70 to P77 function as an I/O port. These pins can be set to input or output port in 1-bit units using port mode register 7 (PM7).

(2) Control mode

P70 to P77 function as A/D converter analog input, external interrupt request input, key interrupt input, serial interface slave select input, data I/O, clock I/O, timer I/O, SNOOZE status output, and CAN serial data I/O.

(a) ANI26 to ANI30

These are analog input pins of the A/D converter. These pins are provided only in the 144-pin, and 100-pin products. For details, see **12.10 (5) Analog input (ANIn) pins**.

(b) INTP6, INTP8, INTP12

These are external interrupt request input pins for which the valid edge (rising edge, falling edge, or both rising and falling edges) can be specified. INTP12 is provided only in the 144-pin, 100-pin, 80-pin, and 64-pin products.

(c) KR0 to KR7

These are key interrupt input pins.

(d) $\overline{\text{SSI10}}$, $\overline{\text{SSI11}}$

These are slave select input pins of the CSI10 (SPI10) and CSI11 (SPI11) serial interface.

(e) SI10, SI11

These are serial data input pins of the CSI10 and CSI11 serial interface.

(f) SO10, SO11

These are serial data output pins of the CSI10 and CSI11 serial interface.

(g) TXD1

This is a serial data output pin of the UART1 serial interface.

(h) RXD1

This is a serial data input pin of the UART1 serial interface.

(i) $\overline{\text{SCK10}}$, $\overline{\text{SCK11}}$

These are serial clock I/O pins of the CSI10 and CSI11 serial interface.

(j) SCL11

This is a serial clock I/O pin of the simplified I²C serial interface.

(k) SDA11

This is a serial data I/O pin of the simplified I²C serial interface.

(l) TI15, TI17

These are pins for inputting an external count clock/capture trigger to 16-bit timers.

(m) TO15, TO17

These are timer output pins of 16-bit timers.

(n) CTXD0

This is a serial data output pin for the CAN.

(o) CRXD0

This is a serial data input pin for the CAN.

(p) SNZOUT4 to SNZOUT7

These are SNOOZE status output pins.

2.2.9 P80 to P87 (Port 8)

P80 to P87 function as an I/O port. These pins also function as A/D converter analog input, D/A converter output, comparator reference voltage input, and comparator analog voltage input.

(1) Port mode

P80 to P87 function as an I/O port. These pins can be set to input or output port in 1-bit units using port mode register 8 (PM8).

(2) Control mode

P80 to P87 function as A/D converter analog input, D/A converter output, comparator reference voltage input, and comparator analog voltage input.

(a) ANI2 to ANI9

These are analog input pins of the A/D converter. For details, see **12.10 (5) Analog input (ANIn) pins**.

(b) ANO0

This is a D/A converter output pin.

(c) IVCMP00 to IVCMP03

These are analog voltage input pins of the comparator.

(d) IVREF0

This is a reference voltage input pin of the comparator.

(e) KR0 (64-pin products)

This is a key interrupt input pin.

(f) KR0 to KR4 (48-pin products)

These are key interrupt input pins.

2.2.10 P90 to P97 (Port 9)

P90 to P97 function as an I/O port. These pins also function as A/D converter analog input and key interrupt input.

The following operation modes can be specified in 1-bit units.

P97 is provided only in the 144-pin, 100-pin, and 80-pin products. P93 to P96 are provided only in the 144-pin, 100-pin, 80-pin, and 64-pin products.

(1) Port mode

P90 to P97 function as an I/O port. These pins can be set to input or output port in 1-bit units using port mode register 9 (PM9).

(2) Control mode

P90 to P97 function as A/D converter analog input and key interrupt input.

(a) ANI10 to ANI17

These are analog input pins of the A/D converter. For details, see **12.10 (5) Analog input (ANIn) pins**.

(b) KR1 to KR7 (64-pin products)

These are key interrupt input pins.

(b) KR5 to KR7 (48-pin products)

These are key interrupt input pins.

2.2.11 P100 to P107 (Port 10)

P100 to P107 function as an I/O port. These pins are provided only in the 100-pin, and 144-pin products. These pins also function as A/D converter analog input and LIN serial data I/O.

For P106 and P107, use of an on-chip pull-up resistor can be specified by pull-up resistor option register 10 (PU10).

For the P107 pin, the input threshold level can be specified using the port input threshold control register 10 (PITHL10).

The following operation modes can be specified in 1-bit units.

(1) Port mode

P100 to P107 function as an I/O port. These pins can be set to input or output port in 1-bit units using port mode register 10 (PM10).

(2) Control mode

P100 to P107 function as A/D converter analog input and LIN serial data I/O.

(a) ANI18 to ANI23

These are analog input pins of the A/D converter. For details, see **12.10 (5) Analog input (ANIn) pins**.

(b) LTXD1

This is a serial data output pin for the LIN.

(c) LRXD1

This is a serial data output pin for the LIN.

2.2.12 P110 to P117 (Port 11)

P110 to P117 function as an I/O port. These pins also function as a Timer I/O. These are provided only in the 144-pin products.

Use of an on-chip pull-up resistor can be specified by pull-up resistor option register 11 (PU11).

The following operation modes can be specified in 1-bit units.

(1) Port mode

P110 to P117 function as an I/O port. These pins can be set to input or output port in 1-bit units using port mode register 11 (PM11).

(2) Control mode

P110 to P117 function as, Timer I/O.

(a) TI20, TI21, TI22, TI23, TI24, TI25, TI26, TI27

These are pins for inputting an external count clock/capture trigger to 16-bit timers.

(b) TO20, TO21, TO22, TO23, TO24, TO25, TO26, TO27

These are timer output pins of 16-bit timers.

2.2.13 P120 to P127 (Port 12)

RL78/F15 has P120 and P125 to P127 I/O port pins, and P121 to P124 input port pins. P126 is provided only in the 144-pin, 100-pin, and 80-pin products. P127 is provided only in the 144-pin, and 100-pin products.

These pins also function as A/D converter analog input, external interrupt request input, resonator connection for the main system clock, resonator connection for the subsystem clock, external clock input for the main system clock, external clock input for the subsystem clock, serial interface slave select input, serial interface data output, timer I/O, and SNOOZE status output.

Only for the P120 and P125 to P127 pins, use of an on-chip pull-up resistor can be specified by pull-up resistor option register 12 (PU12).

For input to the P125 pin, a CMOS input buffer or a TTL input buffer can be selected using the port input mode register 12 (PIM12).

For output from the P120 pin, CMOS output or N-ch open-drain output can be selected using the port output mode register 12 (POM12).

For the P125 pin, the input threshold level can be specified using the port input threshold control register 12 (PITHL12).

Input to the P120 and P125 pins can be specified as digital I/O or analog input in 1-bit units, using port mode control register 12 (PMC12).

The following operation modes can be specified in 1-bit units.

(1) Port mode

P120 and P125 to P127 function as I/O port pins. These pins can be set to input or output port using port mode register 12 (PM12).

P121 to P124 function as input port pins.

(2) Control mode

P120 to P127 function as A/D converter analog input, external interrupt request input, resonator connection for the main system clock, resonator connection for the subsystem clock, external clock input for the main system clock, external clock input for the subsystem clock, serial interface slave select input, serial interface data output, timer I/O, and SNOOZE status output.

(a) ANI24, ANI25

These are analog input pins of the A/D converter. For details, see **12.10 (5) Analog input (ANIn) pins**.

(b) INTP1, INTP4

These are external interrupt request input pins for which the valid edge (rising edge, falling edge, or both rising and falling edges) can be specified.

(c) X1, X2

These are resonator connection pins for the main system clock.

(d) EXCLK

This is an external clock input pin for the main system clock.

(e) XT1, XT2

These are resonator connection pins for the subsystem clock.

(f) EXCLKS

This is an external clock input pin for the subsystem clock.

(g) $\overline{\text{SSI01}}$

This is a slave select input pin of the CSI01 (SPI01) serial interface.

(h) SO01

This is a serial data output pin of the CSI01 serial interface.

(i) TI01, TI03, TI07

These are pins for inputting an external count clock/capture trigger to 16-bit timers.

(j) TO01, TO03, TO07

These are timer output pins of 16-bit timers.

(k) SNZOUT1

This is a SNOOZE status output pin.

(l) TRDIOB0, TRDIOD0

These are timer I/O pins of timer RD.

2.2.14 P130 to P137 (Port 13)

P130 functions as an output port. P137 functions as an input port. P131 to P136 function as I/O port pins. P131 to P136 are provided only in the 144-pin products. These pins also function as external interrupt request input and reset output.

For P131 to P136, use of an on-chip pull-up resistor can be specified by pull-up resistor option register 13 (PU13).

(1) Port mode

P130 functions as an output port. P137 functions as an input port.

P131 to P136 function as I/O port pins. These pins can be set to input or output port using port mode register 13 (PM13).

(2) Control mode

P130 and P137 function as external interrupt request input and reset output.

(a) INTP0, INTP14

This is an external interrupt request input pin for which the valid edge (rising edge, falling edge, or both rising and falling edges) can be specified.

(b) RESOUT

This is a reset output pin.

2.2.15 P140 to P147 (Port 14)

P140 to P147 function as I/O ports. These pins also function as clock/buzzer output and timer I/O. P141 to P147 are provided only in the 144-pin products.

Use of an on-chip pull-up resistor can be specified by pull-up resistor option register 14 (PU14).

The following operation modes can be specified in 1-bit units.

(1) Port mode

P140 to P147 function as I/O ports. This pin can be set to input or output port in 1-bit units using port mode register 14 (PM14).

(2) Control mode

P140 to P147 function as clock/buzzer output and timer I/O.

(a) PCLBUZ0

This is a clock/buzzer output pin.

(b) TI20, TI21, TI22, TI23, TI24, TI25, TI26, TI27

These are pins for inputting an external count clock/capture trigger to 16-bit timers.

(c) TO20, TO21, TO22, TO23, TO24, TO25, TO26, TO27

These are timer output pins of 16-bit timers.

2.2.16 P150 to P157 (Port 15)

P150 to P157 function as an I/O port. These pins also function as serial interface data I/O, clock I/O, timer I/O, slave select input, SNOOZE status output and LIN serial data I/O. These pins are provided only in the 144-pin and 100-pin products.

Use of an on-chip pull-up resistor can be specified by pull-up resistor option register 15 (PU15).

For the P150, P152, P153, P154, and P156 pins, the input threshold level can be specified using the port input threshold control register 15 (PITHL15).

(1) Port mode

P150 to P157 function as an I/O port. These pins can be set to input or output port in 1-bit units using port mode register 15 (PM15).

(2) Control mode

P150 to P157 function as serial interface slave select input, data I/O, clock I/O, SNOOZE status output and LIN serial data I/O.

(a) $\overline{\text{SSI11}}$

This is a slave select input pin of the CSI11 (SPI11) serial interface.

(b) SI11, SI21

These are serial data input pins of the CSI11 and CSI21 serial interface.

(c) SO11, SO21

These are serial data output pins of the CSI11 and CSI21 serial interface.

(d) SCK11, SCK21

These are serial clock I/O pins of the CSI11 and CSI21 serial interface.

(e) SNZOUT4 to SNZOUT7

These are SNOOZE status output pins.

(f) LTXD2

This is a LIN serial data output pin.

(g) LRXD2

This is a LIN serial data input pin.

(h) TXD2

This is a serial data output pin of the serial interface UART2.

(i) RXD2

This is a serial data input pin of the serial interface UART2.

2.2.17 P160 to P167 (Port 16)

P160 to P167 function as an I/O port. These are provided only in the 144-pin products.

Use of an on-chip pull-up resistor can be specified by pull-up resistor option register 16 (PU16).

(1) Port mode

P160 to P167 function as I/O ports. These pins can be set to input or output port in 1-bit units using port mode register 16 (PM16).

2.2.18 VDD, EVDD0, EVDD1, VSS, EVSS0, EVSS1**(1) VDD, EVDD0, EVDD1**

VDD is a positive power supply pin for the P33, P34, P80 to P87, P90 to P97, P100 to P105, P121 to P124, P137 and the pins other than ports.

EVDD0 and EVDD1 are positive power supply pins for ports other than P33, P34, P80 to P87, P100 to P105, P121 to P124, and P137. EVDD1 is provided only in the 144-pin and 100-pin products.

(2) VSS, EVSS0, EVSS1

VSS is a ground potential pin for P33, P34, P80 to P87, P90 to P97, P100 to P105, P121 to P124, P137 and the pins other than ports.

EVSS0 and EVSS1 are ground potential pins for ports other than P33, P34, P80 to P87, P100 to P105, P121 to P124, and P137. EVSS1 is provided only in the 144-pin and 100-pin products of RL78/F15.

Remark Use bypass capacitors (about 0.1 μ F) as noise and latch-up countermeasures with relatively thick wires at the shortest distance to VDD to VSS, EVDD0 to EVSS0 and EVDD1 to EVSS1 lines.

2.2.19 $\overline{\text{RESET}}$

This is an active-low system reset input pin.

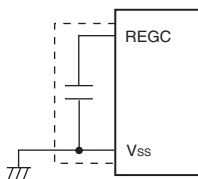
When the external reset pin is not used, connect this pin directly or via a resistor to V_{DD} .

When the external reset pin is used, design the circuit based on V_{DD} .

2.2.20 REGC

This is the pin for connecting regulator output stabilization capacitance for internal operation. Connect this pin to V_{SS} via a capacitor (0.47 to 1 μF).

Use a capacitor with good characteristics because it is used to stabilize internal voltage.



Caution Keep the wiring length as short as possible for the broken-line part in the above figure.

2.3 Recommended Connection of Unused Pins

Table 2-4 show the recommended connections of unused pins taking the 144-pin products of RL78/F15 as examples.

Table 2-4. Connection of Unused Pins (144-Pin Products) (1/4)

Pin Name	I/O	Recommended Connection of Unused Pins
P00/(TI05)/(TO05)/INTP9/ $\overline{\text{SCK20}}$	I/O	Input: Independently connect to EV _{DD0} and EV _{DD1} , or EV _{SS0} and EV _{SS1} via a resistor. Output: Leave open.
P01/(TI04)/(TO04)		
P02/(TI06)/(TO06)		
P03/(RTC1HZ)		
P04/INTP15		
P05		
P06		
P07		
P10/TI13/TO13/TRJO0/ $\overline{\text{SCK10}}$ / $\overline{\text{SCL10}}$ / LTXD1/CTXD0		
P11/TI12/TO12/(TRDIOB0)/SI10/SDA10/ RXD1/LRXD1/CRXD0		
P12/TI11/TO11/(TRDIOD0)/INTP5/SO10/ TXD1/SNZOUT3		
P13/TI04/TO04/TRDIOA0/TRDCLK0/SI01/ SDA01/LTXD0		
P14/TI06/TO06/TRDIOC0/ $\overline{\text{SCK01}}$ / $\overline{\text{SCL01}}$ / LRXD0		
P15/TI05/TO05/TRDIOA1/(TRDIOA0)/ (TRDCLK0)/SO00/TXD0/TOOLTXD/ RTC1HZ		
P16/TI02/TO02/TRDIOC1/SI00/SDA00/ RXD0/TOOLRXD		
P17/TI00/TO00/TRDIOB1/ $\overline{\text{SCK00}}$ / $\overline{\text{SCL00}}$ / INTP3		
P20/($\overline{\text{SCK20}}$)		
P21/(SI20)/(RXD2)		
P22/(SO20)/(TXD2)		
P23		
P24/($\overline{\text{SCK21}}$)		
P25/(SI21)		
P26/(SO21)		
P27		
P30/TI01/TO01/TRDIOD1/ $\overline{\text{SSI00}}$ /INTP2/ SNZOUT0		
P31/TI14/TO14/STOPST/(INTP2)		
P32/TI16/TO16/INTP7		

Remark Functions in parentheses in the above table can be assigned via settings in the peripheral I/O redirection registers (PIOR).

Table 2-4. Connection of Unused Pins (144-Pin Products) (2/4)

Pin Name	I/O	Recommended Connection of Unused Pins
P33/AV _{REFP} /ANI0	I/O	Input: Independently connect to V _{DD} or V _{SS} via a resistor.
P34/AV _{REFM} /ANI1		Output: Leave open.
P35		Input: Independently connect to EV _{DD0} and EV _{DD1} , or EV _{SS0} and EV _{SS1} via a resistor.
P36/(CTXD1)		Output: Leave open.
P37/(CRXD1)		
P40/TOOL0		Input: Independently connect to EV _{DD0} and EV _{DD1} , or EV _{SS0} and EV _{SS1} via a resistor.
P41/TI10/TO10/TRJIO0/VCOUT0/ SNZOUT2		Output: Leave open.
P42/(LTXD0)		
P43/(LRXD0)		
P44/(TI07)/(TO07)		
P45/(TI10)/(TO10)		
P46/(TI12)/(TO12)		
P47/INTP13		
P50/($\overline{\text{SSI01}}$)/(INTP3) /($\overline{\text{IERXD}}$)		Input: Independently connect to EV _{DD0} and EV _{DD1} , or EV _{SS0} and EV _{SS1} via a resistor.
P51/(SO01)/INTP11/($\overline{\text{IETXD}}$)		Output: Leave open.
P52/($\overline{\text{SCK01}}$)/(STOPST)		
P53/(SI01)/INTP10		
P54/(TI11)/(TO11)/ $\overline{\text{SSI10}}$		
P55/(TI13)/(TO13)		
P56/(TI15)/(TO15)/(SNZOUT1)		
P57/(TI17)/(TO17)/(SNZOUT0)		
P60/($\overline{\text{SCK00}}$)/(SCL00) /CRXD1/ $\overline{\text{IERXD}}$		
P61/(SI00)/(SDA00)/(RXD0) /CTXD1/ $\overline{\text{IETXD}}$		
P62/(SO00)/(TXD0)/SCLA0		
P63/($\overline{\text{SSI00}}$)/SDAA0		
P64/(TI14)/(TO14)/(SNZOUT3)		
P65/(TI16)/(TO16)/(SNZOUT2)		
P66/(TI00)/(TO00)		
P67/(TI02)/(TO02)		
P70/ANI26/KR0/TI15/TO15/INTP8/ SI11/SDA11/SNZOUT4		
P71/ANI27/KR1/TI17/TO17/INTP6/ $\overline{\text{SCK11}}$ /SCL11/SNZOUT5		
P72/ANI28/KR2/(CTXD0)/SO11/SNZOUT6		
P73/ANI29/KR3/(CRXD0)/ $\overline{\text{SSI11}}$ / SNZOUT7		
P74/ANI30/KR4/(SO10)/(TXD1)		
P75/KR5/(SI10)/(RXD1)		
P76/KR6/($\overline{\text{SCK10}}$)		
P77/KR7/($\overline{\text{SSI10}}$)/INTP12		

Remark Functions in parentheses in the above table can be assigned via settings in the peripheral I/O redirection registers (PIOR).

Table 2-4. Connection of Unused Pins (144-Pin Products) (3/4)

Pin Name	I/O	Recommended Connection of Unused Pins		
P80/ANI2/AN00	I/O	Input: Independently connect to V_{DD} or V_{SS} via a resistor. Output: Leave open.		
P81/ANI3/IVCMP00				
P82/ANI4/IVCMP01				
P83/ANI5/IVCMP02				
P84/ANI6/IVCMP03				
P85/ANI7/IVREF0				
P86/ANI8				
P87/ANI9				
P90/ANI10				
P91/ANI11				
P92/ANI12				
P93/ANI13				
P94/ANI14				
P95/ANI15				
P96/ANI16				
P97/ANI17				
P100/ANI18	I/O	Input: Independently connect to V_{DD} or V_{SS} via a resistor. Output: Leave open.		
P101/ANI19				
P102/ANI20				
P103/ANI21				
P104/ANI22				
P105/ANI23				
P106/(LTXD1)				
P107/(LRXD1)				
P110/TI20/TO20				
P111/TI21/TO21				
P112/TI22/TO22				
P113/TI23/TO23				
P114/TI24/TO24				
P115/TI25/TO25				
P116/TI26/TO26				
P117/TI27/TO27				
P120/ANI25/TI07/TO07/TRDIOD0/SO01/ INTP4				
P121/X1			Input	Independently connect to V_{DD} or V_{SS} via a resistor.
P122/X2/EXCLK				
P123/XT1				
P124/XT2/EXCLKS				
P125/ANI24/TI03/TO03/TRDIOD0/ SSI01/INTP1/SNZOUT1	I/O	Input: Independently connect to EV_{DD0} and EV_{DD1} , or EV_{SS0} and EV_{SS1} via a resistor. Output: Leave open.		
P126/(TI01)/(TO01)				
P127/(TI03)/(TO03)				

Remark Functions in parentheses in the above table can be assigned via settings in the peripheral I/O redirection registers (PIOR).

Table 2-4. Connection of Unused Pins (144-Pin Products) (4/4)

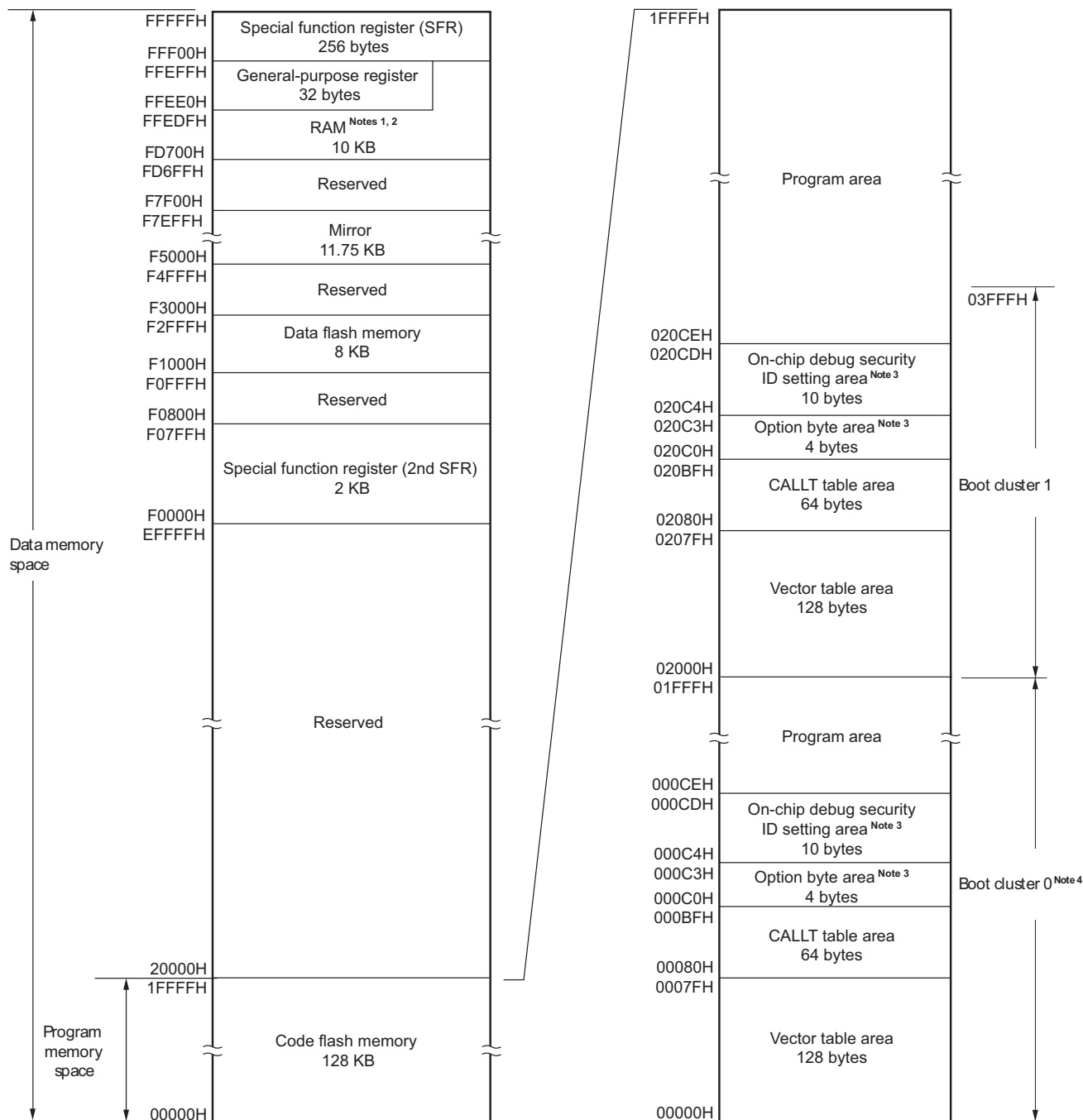
Pin Name	I/O	Recommended Connection of Unused Pins
P130/RESOUT	Output	Leave open.
P131/INTP14	I/O	Input: Independently connect to EV _{DD0} and EV _{DD1} , or EV _{SS0} and EV _{SS1} via a resistor. Output: Leave open.
P132		
P133		
P134		
P135		
P136		
P137/INTP0	Input	Independently connect to V _{DD} or V _{SS} via a resistor.
P140/PCLBUZ0/(TI20)/(TO20)	I/O	Input: Independently connect to EV _{DD0} and EV _{DD1} , or EV _{SS0} and EV _{SS1} via a resistor. Output: Leave open.
P141/(TI21)/(TO21)		
P142/(TI22)/(TO22)		
P143/(TI23)/(TO23)		
P144/(TI24)/(TO24)		
P145/(TI25)/(TO25)		
P146/(TI26)/(TO26)		
P147/(TI27)/(TO27)		
P150/(SSI11)		
P151/(SO11)/SO21		
P152/(SI11)/SI21		
P153/(SCK11)/SCK21		
P154/(SNZOUT7)/LRXD2		
P155/(SNZOUT6)/LTXD2		
P156/(SNZOUT5)/SI20/RXD2		
P157/(SNZOUT4)/SO20/TXD2		
P160		
P161		
P162		
P163		
P164		
P165		
P166		
P167		
RESET	Input	Connect to V _{DD} directly or via a resistor.
REGC	—	Connect to V _{SS} via a capacitor (0.47 to 1 μF).

CHAPTER 3 CPU ARCHITECTURE

3.1 Memory Space

Products in the RL78/F15 can access a 1 MB memory space. Figure 3-1 to Figure 3-5 show the memory maps.

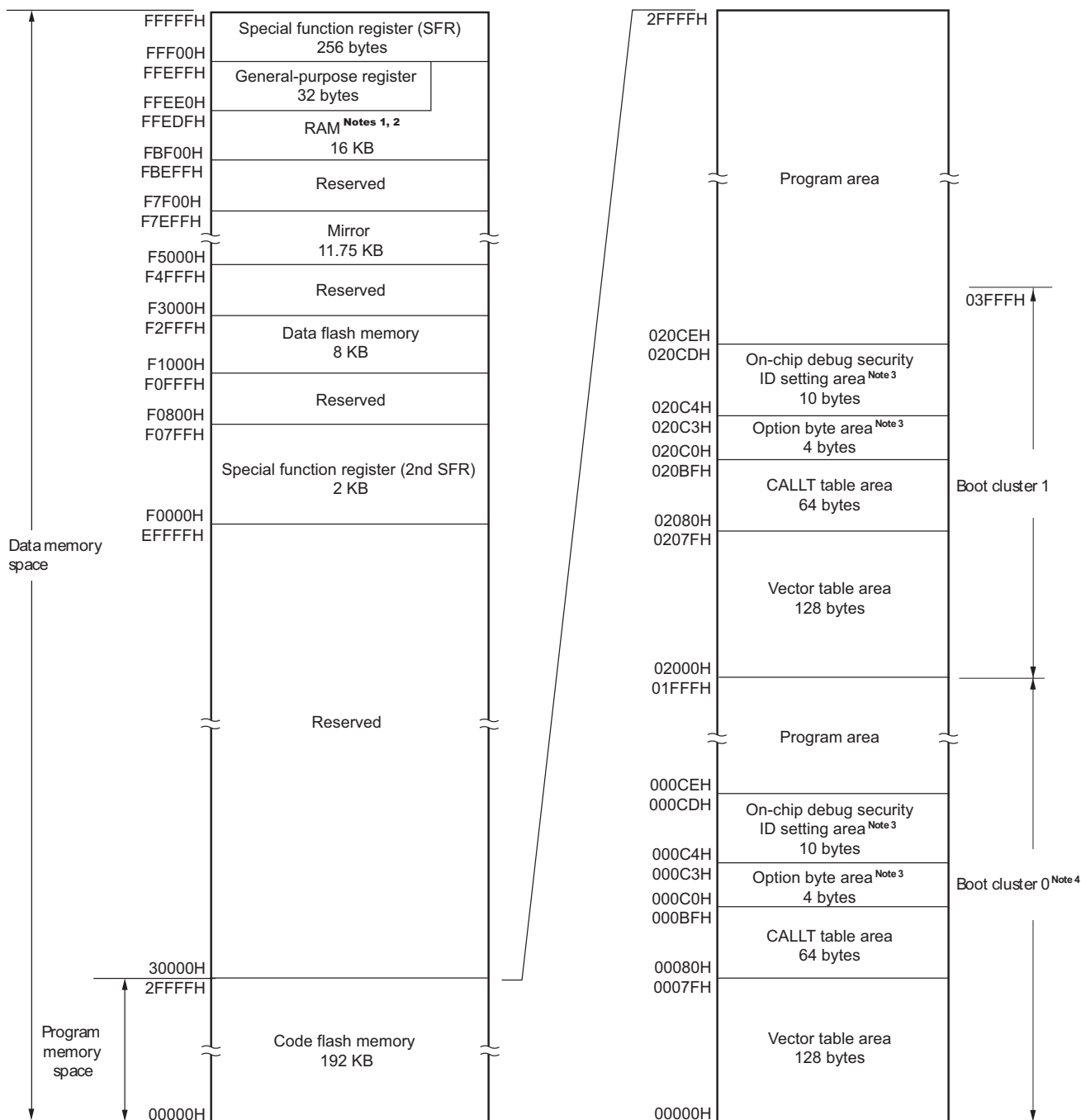
Figure 3-1. Memory Map (R5F113mG (m = P, T))



- Notes 1.** Do not allocate RAM addresses which are used as stack area, data buffers used by the libraries, branch destinations for vectored interrupt servicing, or DTC transfer destinations/transfer sources to the area FFE20H to FFEDFH when performing self-programming and rewriting the data flash memory.
- 2.** Instructions can be executed from the RAM area excluding the general-purpose register area.
- 3.** When boot swap is not used: Set the option bytes to 000C0H to 000C3H, and the on-chip debug security IDs to 000C4H to 000CDH.
When boot swap is used: Set the option bytes to 000C0H to 000C3H and 020C0H to 020C3H, and the on-chip debug security IDs to 000C4H to 000CDH and 020C4H to 020CDH.
- 4.** Writing boot cluster 0 can be prohibited depending on the setting of security (see 31.7 Security Settings).
(Caution is listed on the next page.)

Caution When executing instructions from the RAM area, be sure to initialize the used RAM area + 10 bytes with any desired value.

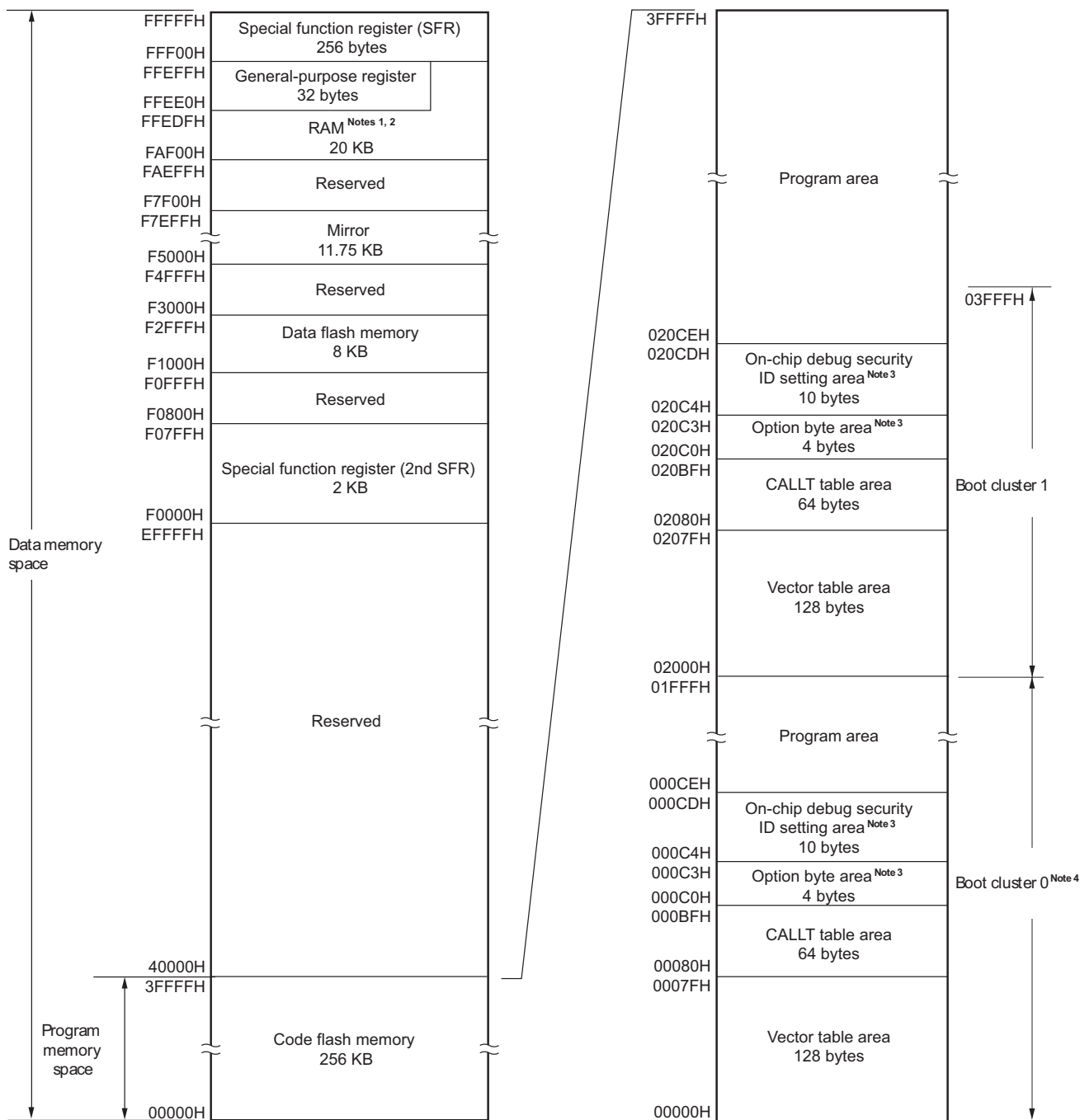
Figure 3-2. Memory Map (R5F113mH (m = P, T))



- Notes**
- Do not allocate RAM addresses which are used as stack area, data buffers used by the libraries, branch destinations for vectored interrupt servicing, or DTC transfer destinations/transfer sources to the area FFE20H to FFEDFH when performing self-programming and rewriting the data flash memory.
 - Instructions can be executed from the RAM area excluding the general-purpose register area.
 - When boot swap is not used: Set the option bytes to 000C0H to 000C3H, and the on-chip debug security IDs to 000C4H to 000CDH.
When boot swap is used: Set the option bytes to 000C0H to 000C3H and 020C0H to 020C3H, and the on-chip debug security IDs to 000C4H to 000CDH and 020C4H to 020CDH.
 - Writing boot cluster 0 can be prohibited depending on the setting of security (see 31.7 Security Settings).

Caution When executing instructions from the RAM area, be sure to initialize the used RAM area + 10 bytes with any desired value.

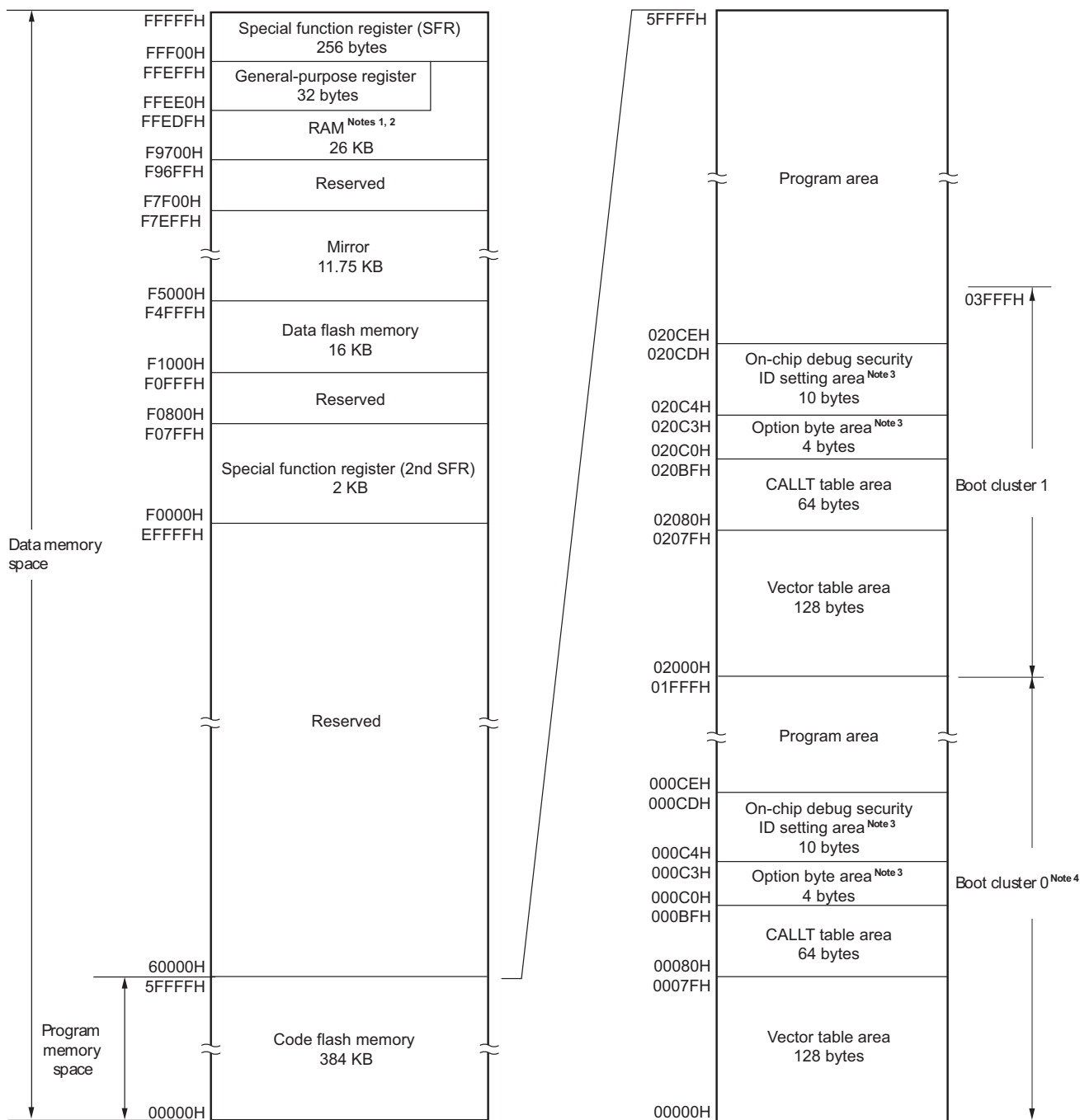
Figure 3-3. Memory Map (R5F113mJ (m = P, T))



- Notes**
- Do not allocate RAM addresses which are used as stack area, data buffers used by the libraries, branch destinations for vectored interrupt servicing, or DTC transfer destinations/transfer sources to the area FFE20H to FFEDFH when performing self-programming and rewriting the data flash memory.
 - Instructions can be executed from the RAM area excluding the general-purpose register area.
 - When boot swap is not used: Set the option bytes to 000C0H to 000C3H, and the on-chip debug security IDs to 000C4H to 000CDH.
When boot swap is used: Set the option bytes to 000C0H to 000C3H and 020C0H to 020C3H, and the on-chip debug security IDs to 000C4H to 000CDH and 020C4H to 020CDH.
 - Writing boot cluster 0 can be prohibited depending on the setting of security (see 31.7 Security Settings).

Caution When executing instructions from the RAM area, be sure to initialize the used RAM area + 10 bytes with any desired value.

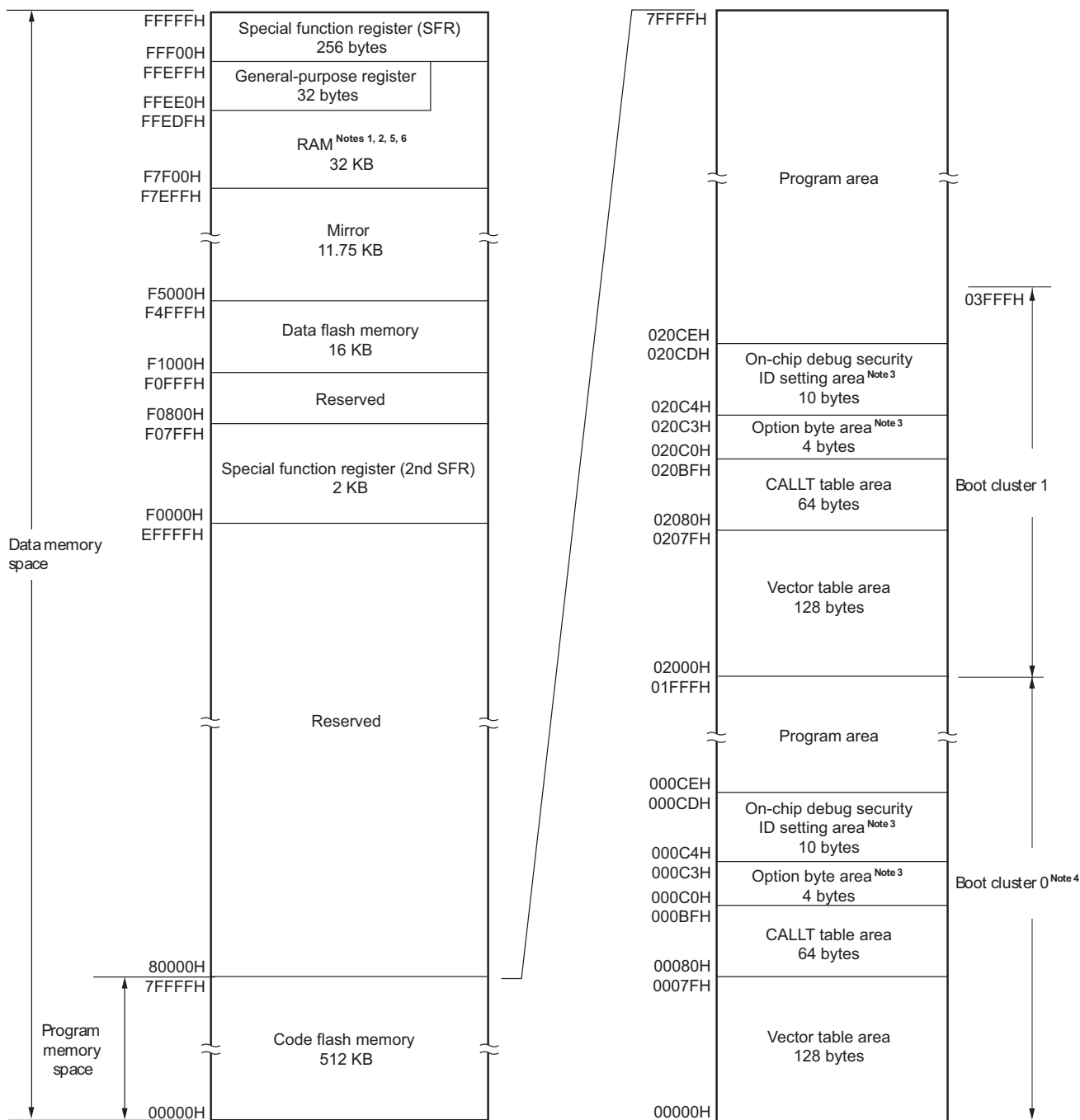
Figure 3-4. Memory Map (R5F113mK (m = G, L, M, P, T))



- Notes**
- Do not allocate RAM addresses which are used as stack area, data buffers used by the libraries, branch destinations for vectored interrupt servicing, or DTC transfer destinations/transfer sources to the area FFE20H to FFEDFH when performing self-programming and rewriting the data flash memory.
 - Instructions can be executed from the RAM area excluding the general-purpose register area.
 - When boot swap is not used: Set the option bytes to 000C0H to 000C3H, and the on-chip debug security IDs to 000C4H to 000CDH.
When boot swap is used: Set the option bytes to 000C0H to 000C3H and 020C0H to 020C3H, and the on-chip debug security IDs to 000C4H to 000CDH and 020C4H to 020CDH.
 - Writing boot cluster 0 can be prohibited depending on the setting of security (see 31.7 Security Settings).

Caution When executing instructions from the RAM area, be sure to initialize the used RAM area + 10 bytes with any desired value.

Figure 3-5. Memory Map (R5F113mL (m = G, L, M, P, T))



Notes 1. Do not allocate RAM addresses which are used as stack area, data buffers used by the libraries, branch destinations for vectored interrupt servicing, or DTC transfer destinations/transfer sources to the area FFE20H to FFEDFH when performing self-programming and rewriting the data flash memory. Also, use of the area F7F00H-F82FFH is prohibited, because this area is used for each library. However, the area to which this prohibition applies may vary with the version of the library. For details, refer to the manual for the individual library.

- 2.** Instructions can be executed from the RAM area excluding the general-purpose register area.
- 3.** When boot swap is not used: Set the option bytes to 000C0H to 000C3H, and the on-chip debug security IDs to 000C4H to 000CDH.

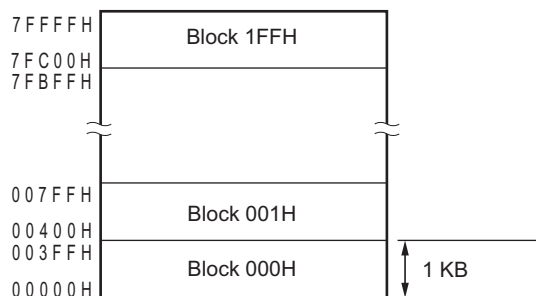
When boot swap is used: Set the option bytes to 000C0H to 000C3H and 020C0H to 020C3H, and the on-chip debug security IDs to 000C4H to 000CDH and 020C4H to 020CDH.

- 4.** Writing boot cluster 0 can be prohibited depending on the setting of security (see 31.7 Security Settings).

5. The debugger uses the area F8300H-F84FFH to store the result of tracing when the tracing function for on-chip debugging is in use. Accordingly, use of this area is prohibited while the tracing function is in use.
6. The debugger uses the area F8500H-F852FH as a working area when the hot plug-in function is in use or when the DTC is in use for the real-time RAM monitor (RRM) or dynamic memory modification (DMM) function. Accordingly, use of this area is prohibited while the hot plug-in function is in use or the DTC is in use for the RRM or DMM function.

Caution When executing instructions from the RAM area, be sure to initialize the used RAM area + 10 bytes with any desired value.

Remark The flash memory is divided into blocks (one block = 1 KB). For the address values and block numbers, see **Table 3-1 Correspondence between Address Values and Block Numbers in Flash Memory.**



(In case of R5F113TLL)

Correspondence between the address values and block numbers in the flash memory are shown below.

Table 3-1. Correspondence between Address Values and Block Numbers in Flash Memory (1/4)

Address Value	Block Number	Address Value	Block Number	Address Value	Block Number	Address Value	Block Number
00000H to 003FFH	000H	08000H to 083FFH	020H	10000H to 103FFH	040H	18000H to 183FFH	060H
00400H to 007FFH	001H	08400H to 087FFH	021H	10400H to 107FFH	041H	18400H to 187FFH	061H
00800H to 00BFFH	002H	08800H to 08BFFH	022H	10800H to 10BFFH	042H	18800H to 18BFFH	062H
00C00H to 00FFFH	003H	08C00H to 08FFFH	023H	10C00H to 10FFFH	043H	18C00H to 18FFFH	063H
01000H to 013FFH	004H	09000H to 093FFH	024H	11000H to 113FFH	044H	19000H to 193FFH	064H
01400H to 017FFH	005H	09400H to 097FFH	025H	11400H to 117FFH	045H	19400H to 197FFH	065H
01800H to 01BFFH	006H	09800H to 09BFFH	026H	11800H to 11BFFH	046H	19800H to 19BFFH	066H
01C00H to 01FFFH	007H	09C00H to 09FFFH	027H	11C00H to 11FFFH	047H	19C00H to 19FFFH	067H
02000H to 023FFH	008H	0A000H to 0A3FFH	028H	12000H to 123FFH	048H	1A000H to 1A3FFH	068H
02400H to 027FFH	009H	0A400H to 0A7FFH	029H	12400H to 127FFH	049H	1A400H to 1A7FFH	069H
02800H to 02BFFH	00AH	0A800H to 0ABFFH	02AH	12800H to 12BFFH	04AH	1A800H to 1ABFFH	06AH
02C00H to 02FFFH	00BH	0AC00H to 0AFFFH	02BH	12C00H to 12FFFH	04BH	1AC00H to 1AFFFH	06BH
03000H to 033FFH	00CH	0B000H to 0B3FFH	02CH	13000H to 133FFH	04CH	1B000H to 1B3FFH	06CH
03400H to 037FFH	00DH	0B400H to 0B7FFH	02DH	13400H to 137FFH	04DH	1B400H to 1B7FFH	06DH
03800H to 03BFFH	00EH	0B800H to 0BBFFH	02EH	13800H to 13BFFH	04EH	1B800H to 1BBFFH	06EH
03C00H to 03FFFH	00FH	0BC00H to 0BFFFH	02FH	13C00H to 13FFFH	04FH	1BC00H to 1BFFFH	06FH
04000H to 043FFH	010H	0C000H to 0C3FFH	030H	14000H to 143FFH	050H	1C000H to 1C3FFH	070H
04400H to 047FFH	011H	0C400H to 0C7FFH	031H	14400H to 147FFH	051H	1C400H to 1C7FFH	071H
04800H to 04BFFH	012H	0C800H to 0CBFFH	032H	14800H to 14BFFH	052H	1C800H to 1CBFFH	072H
04C00H to 04FFFH	013H	0CC00H to 0CFFFH	033H	14C00H to 14FFFH	053H	1CC00H to 1CFFFH	073H
05000H to 053FFH	014H	0D000H to 0D3FFH	034H	15000H to 153FFH	054H	1D000H to 1D3FFH	074H
05400H to 057FFH	015H	0D400H to 0D7FFH	035H	15400H to 157FFH	055H	1D400H to 1D7FFH	075H
05800H to 05BFFH	016H	0D800H to 0DBFFH	036H	15800H to 15BFFH	056H	1D800H to 1DBFFH	076H
05C00H to 05FFFH	017H	0DC00H to 0DFFFH	037H	15C00H to 15FFFH	057H	1DC00H to 1DFFFH	077H
06000H to 063FFH	018H	0E000H to 0E3FFH	038H	16000H to 163FFH	058H	1E000H to 1E3FFH	078H
06400H to 067FFH	019H	0E400H to 0E7FFH	039H	16400H to 167FFH	059H	1E400H to 1E7FFH	079H
06800H to 06BFFH	01AH	0E800H to 0EBFFH	03AH	16800H to 16BFFH	05AH	1E800H to 1EBFFH	07AH
06C00H to 06FFFH	01BH	0EC00H to 0EFFFH	03BH	16C00H to 16FFFH	05BH	1EC00H to 1EFFFH	07BH
07000H to 073FFH	01CH	0F000H to 0F3FFH	03CH	17000H to 173FFH	05CH	1F000H to 1F3FFH	07CH
07400H to 077FFH	01DH	0F400H to 0F7FFH	03DH	17400H to 177FFH	05DH	1F400H to 1F7FFH	07DH
07800H to 07BFFH	01EH	0F800H to 0FBFFH	03EH	17800H to 17BFFH	05EH	1F800H to 1FBFFH	07EH
07C00H to 07FFFH	01FH	0FC00H to 0FFFFH	03FH	17C00H to 17FFFH	05FH	1FC00H to 1FFFFH	07FH

Table 3-1. Correspondence between Address Values and Block Numbers in Flash Memory (2/4)

Address Value	Block Number	Address Value	Block Number	Address Value	Block Number	Address Value	Block Number
20000H to 203FFH	080H	28000H to 283FFH	0A0H	30000H to 303FFH	0C0H	38000H to 383FFH	0E0H
20400H to 207FFH	081H	28400H to 287FFH	0A1H	30400H to 307FFH	0C1H	38400H to 387FFH	0E1H
20800H to 20BFFH	082H	28800H to 28BFFH	0A2H	30800H to 30BFFH	0C2H	38800H to 38BFFH	0E2H
20C00H to 20FFFH	083H	28C00H to 28FFFH	0A3H	30C00H to 30FFFH	0C3H	38C00H to 38FFFH	0E3H
21000H to 213FFH	084H	29000H to 293FFH	0A4H	31000H to 313FFH	0C4H	39000H to 393FFH	0E4H
21400H to 217FFH	085H	29400H to 297FFH	0A5H	31400H to 317FFH	0C5H	39400H to 397FFH	0E5H
21800H to 21BFFH	086H	29800H to 29BFFH	0A6H	31800H to 31BFFH	0C6H	39800H to 39BFFH	0E6H
21C00H to 21FFFH	087H	29C00H to 29FFFH	0A7H	31C00H to 31FFFH	0C7H	39C00H to 39FFFH	0E7H
22000H to 223FFH	088H	2A000H to 2A3FFH	0A8H	32000H to 323FFH	0C8H	3A000H to 3A3FFH	0E8H
22400H to 227FFH	089H	2A400H to 2A7FFH	0A9H	32400H to 327FFH	0C9H	3A400H to 3A7FFH	0E9H
22800H to 22BFFH	08AH	2A800H to 2ABFFH	0AAH	32800H to 32BFFH	0CAH	3A800H to 3ABFFH	0EAH
22C00H to 22FFFH	08BH	2AC00H to 2AFFFH	0ABH	32C00H to 32FFFH	0CBH	3AC00H to 3AFFFH	0EBH
23000H to 233FFH	08CH	2B000H to 2B3FFH	0ACH	33000H to 333FFH	0CCH	3B000H to 3B3FFH	0ECH
23400H to 237FFH	08DH	2B400H to 2B7FFH	0ADH	33400H to 337FFH	0CDH	3B400H to 3B7FFH	0EDH
23800H to 23BFFH	08EH	2B800H to 2BBFFH	0AEH	33800H to 33BFFH	0CEH	3B800H to 3BBFFH	0EEH
23C00H to 23FFFH	08FH	2BC00H to 2BFFFH	0AFH	33C00H to 33FFFH	0CFH	3BC00H to 3BFFFH	0EFH
24000H to 243FFH	090H	2C000H to 2C3FFH	0B0H	34000H to 343FFH	0D0H	3C000H to 3C3FFH	0F0H
24400H to 247FFH	091H	2C400H to 2C7FFH	0B1H	34400H to 347FFH	0D1H	3C400H to 3C7FFH	0F1H
24800H to 24BFFH	092H	2C800H to 2CBFFH	0B2H	34800H to 34BFFH	0D2H	3C800H to 3CBFFH	0F2H
24C00H to 24FFFH	093H	2CC00H to 2CFFFH	0B3H	34C00H to 34FFFH	0D3H	3CC00H to 3CFFFH	0F3H
25000H to 253FFH	094H	2D000H to 2D3FFH	0B4H	35000H to 353FFH	0D4H	3D000H to 3D3FFH	0F4H
25400H to 257FFH	095H	2D400H to 2D7FFH	0B5H	35400H to 357FFH	0D5H	3D400H to 3D7FFH	0F5H
25800H to 25BFFH	096H	2D800H to 2DBFFH	0B6H	35800H to 35BFFH	0D6H	3D800H to 3DBFFH	0F6H
25C00H to 25FFFH	097H	2DC00H to 2DFFFH	0B7H	35C00H to 35FFFH	0D7H	3DC00H to 3DFFFH	0F7H
26000H to 263FFH	098H	2E000H to 2E3FFH	0B8H	36000H to 363FFH	0D8H	3E000H to 3E3FFH	0F8H
26400H to 267FFH	099H	2E400H to 2E7FFH	0B9H	36400H to 367FFH	0D9H	3E400H to 3E7FFH	0F9H
26800H to 26BFFH	09AH	2E800H to 2EBFFH	0BAH	36800H to 36BFFH	0DAH	3E800H to 3EBFFH	0FAH
26C00H to 26FFFH	09BH	2EC00H to 2EFFFH	0BBH	36C00H to 36FFFH	0DBH	3EC00H to 3EFFFH	0FBH
27000H to 273FFH	09CH	2F000H to 2F3FFH	0BCH	37000H to 373FFH	0DCH	3F000H to 3F3FFH	0FCH
27400H to 277FFH	09DH	2F400H to 2F7FFH	0BDH	37400H to 377FFH	0DDH	3F400H to 3F7FFH	0FDH
27800H to 27BFFH	09EH	2F800H to 2FBFFH	0BEH	37800H to 37BFFH	0DEH	3F800H to 3FBFFH	0FEH
27C00H to 27FFFH	09FH	2FC00H to 2FFFFH	0BFH	37C00H to 37FFFH	0DFH	3FC00H to 3FFFFH	0FFH

Table 3-1. Correspondence between Address Values and Block Numbers in Flash Memory (3/4)

Address Value	Block Number	Address Value	Block Number	Address Value	Block Number	Address Value	Block Number
40000H-403FFH	100H	48000H-483FFH	120H	50000H-503FFH	140H	58000H-583FFH	160H
40400H-407FFH	101H	48400H-487FFH	121H	50400H-507FFH	141H	58400H-587FFH	161H
40800H-40BFFH	102H	48800H-48BFFH	122H	50800H-50BFFH	142H	58800H-58BFFH	162H
40C00H-40FFFH	103H	48C00H-48FFFH	123H	50C00H-50FFFH	143H	58C00H-58FFFH	163H
41000H-413FFH	104H	49000H-493FFH	124H	51000H-513FFH	144H	59000H-593FFH	164H
41400H-417FFH	105H	49400H-497FFH	125H	51400H-517FFH	145H	59400H-597FFH	165H
41800H-41BFFH	106H	49800H-49BFFH	126H	51800H-51BFFH	146H	59800H-59BFFH	166H
41C00H-41FFFH	107H	49C00H-49FFFH	127H	51C00H-51FFFH	147H	59C00H-59FFFH	167H
42000H-423FFH	108H	4A000H-4A3FFH	128H	52000H-523FFH	148H	5A000H-5A3FFH	168H
42400H-427FFH	109H	4A400H-4A7FFH	129H	52400H-527FFH	149H	5A400H-5A7FFH	169H
42800H-42BFFH	10AH	4A800H-4ABFFH	12AH	52800H-52BFFH	14AH	5A800H-5ABFFH	16AH
42C00H-42FFFH	10BH	4AC00H-4AFFFH	12BH	52C00H-52FFFH	14BH	5AC00H-5AFFFH	16BH
43000H-433FFH	10CH	4B000H-4B3FFH	12CH	53000H-533FFH	14CH	5B000H-5B3FFH	16CH
43400H-437FFH	10DH	4B400H-4B7FFH	12DH	53400H-537FFH	14DH	5B400H-5B7FFH	16DH
43800H-43BFFH	10EH	4B800H-4BBFFH	12EH	53800H-53BFFH	14EH	5B800H-5BBFFH	16EH
43C00H-43FFFH	10FH	4BC00H-4BFFFH	12FH	53C00H-53FFFH	14FH	5BC00H-5BFFFH	16FH
44000H-443FFH	110H	4C000H-4C3FFH	130H	54000H-543FFH	150H	5C000H-5C3FFH	170H
44400H-447FFH	111H	4C400H-4C7FFH	131H	54400H-547FFH	151H	5C400H-5C7FFH	171H
44800H-44BFFH	112H	4C800H-4CBFFH	132H	54800H-54BFFH	152H	5C800H-5CBFFH	172H
44C00H-44FFFH	113H	4CC00H-4CFFFH	133H	54C00H-54FFFH	153H	5CC00H-5CFFFH	173H
45000H-453FFH	114H	4D000H-4D3FFH	134H	55000H-553FFH	154H	5D000H-5D3FFH	174H
45400H-457FFH	115H	4D400H-4D7FFH	135H	55400H-557FFH	155H	5D400H-5D7FFH	175H
45800H-45BFFH	116H	4D800H-4DBFFH	136H	55800H-55BFFH	156H	5D800H-5DBFFH	176H
45C00H-45FFFH	117H	4DC00H-4DFFFH	137H	55C00H-55FFFH	157H	5DC00H-5DFFFH	177H
46000H-463FFH	118H	4E000H-4E3FFH	138H	56000H-563FFH	158H	5E000H-5E3FFH	178H
46400H-467FFH	119H	4E400H-4E7FFH	139H	56400H-567FFH	159H	5E400H-5E7FFH	179H
46800H-46BFFH	11AH	4E800H-4EBFFH	13AH	56800H-56BFFH	15AH	5E800H-5EBFFH	17AH
46C00H-46FFFH	11BH	4EC00H-4EFFFH	13BH	56C00H-56FFFH	15BH	5EC00H-5EFFFH	17BH
47000H-473FFH	11CH	4F000H-4F3FFH	13CH	57000H-573FFH	15CH	5F000H-5F3FFH	17CH
47400H-477FFH	11DH	4F400H-4F7FFH	13DH	57400H-577FFH	15DH	5F400H-5F7FFH	17DH
47800H-47BFFH	11EH	4F800H-4FBFFH	13EH	57800H-57BFFH	15EH	5F800H-5FBFFH	17EH
47C00H-47FFFH	11FH	4FC00H-4FFFFH	13FH	57C00H-57FFFH	15FH	5FC00H-5FFFFH	17FH

Table 3-1. Correspondence between Address Values and Block Numbers in Flash Memory (4/4)

Address Value	Block Number	Address Value	Block Number	Address Value	Block Number	Address Value	Block Number
60000H-603FFH	180H	68000H-683FFH	1A0H	70000H-703FFH	1C0H	78000H-783FFH	1E0H
60400H-607FFH	181H	68400H-687FFH	1A1H	70400H-707FFH	1C1H	78400H-787FFH	1E1H
60800H-60BFFH	182H	68800H-68BFFH	1A2H	70800H-70BFFH	1C2H	78800H-78BFFH	1E2H
60C00H-60FFFH	183H	68C00H-68FFFH	1A3H	70C00H-70FFFH	1C3H	78C00H-78FFFH	1E3H
61000H-613FFH	184H	69000H-693FFH	1A4H	71000H-713FFH	1C4H	79000H-793FFH	1E4H
61400H-617FFH	185H	69400H-697FFH	1A5H	71400H-717FFH	1C5H	79400H-797FFH	1E5H
61800H-61BFFH	186H	69800H-69BFFH	1A6H	71800H-71BFFH	1C6H	79800H-79BFFH	1E6H
61C00H-61FFFH	187H	69C00H-69FFFH	1A7H	71C00H-71FFFH	1C7H	79C00H-79FFFH	1E7H
62000H-623FFH	188H	6A000H-6A3FFH	1A8H	72000H-723FFH	1C8H	7A000H-7A3FFH	1E8H
62400H-627FFH	189H	6A400H-6A7FFH	1A9H	72400H-727FFH	1C9H	7A400H-7A7FFH	1E9H
62800H-62BFFH	18AH	6A800H-6ABFFH	1AAH	72800H-72BFFH	1CAH	7A800H-7ABFFH	1EAH
62C00H-62FFFH	18BH	6AC00H-6AFFFH	1ABH	72C00H-72FFFH	1CBH	7AC00H-7AFFFH	1EBH
63000H-633FFH	18CH	6B000H-6B3FFH	1ACH	73000H-733FFH	1CCH	7B000H-7B3FFH	1ECH
63400H-637FFH	18DH	6B400H-6B7FFH	1ADH	73400H-737FFH	1CDH	7B400H-7B7FFH	1EDH
63800H-63BFFH	18EH	6B800H-6BBFFH	1AEH	73800H-73BFFH	1CEH	7B800H-7BBFFH	1EEH
63C00H-63FFFH	18FH	6BC00H-6BFFFH	1AFH	73C00H-73FFFH	1CFH	7BC00H-7BFFFH	1EFH
64000H-643FFH	190H	6C000H-6C3FFH	1B0H	74000H-743FFH	1D0H	7C000H-7C3FFH	1F0H
64400H-647FFH	191H	6C400H-6C7FFH	1B1H	74400H-747FFH	1D1H	7C400H-7C7FFH	1F1H
64800H-64BFFH	192H	6C800H-6CBFFH	1B2H	74800H-74BFFH	1D2H	7C800H-7CBFFH	1F2H
64C00H-64FFFH	193H	6CC00H-6CFFFH	1B3H	74C00H-74FFFH	1D3H	7CC00H-7CFFFH	1F3H
65000H-653FFH	194H	6D000H-6D3FFH	1B4H	75000H-753FFH	1D4H	7D000H-7D3FFH	1F4H
65400H-657FFH	195H	6D400H-6D7FFH	1B5H	75400H-757FFH	1D5H	7D400H-7D7FFH	1F5H
65800H-65BFFH	196H	6D800H-6DBFFH	1B6H	75800H-75BFFH	1D6H	7D800H-7DBFFH	1F6H
65C00H-65FFFH	197H	6DC00H-6DFFFH	1B7H	75C00H-75FFFH	1D7H	7DC00H-7DFFFH	1F7H
66000H-663FFH	198H	6E000H-6E3FFH	1B8H	76000H-763FFH	1D8H	7E000H-7E3FFH	1F8H
66400H-667FFH	199H	6E400H-6E7FFH	1B9H	76400H-767FFH	1D9H	7E400H-7E7FFH	1F9H
66800H-66BFFH	19AH	6E800H-6EBFFH	1BAH	76800H-76BFFH	1DAH	7E800H-7EBFFH	1FAH
66C00H-66FFFH	19BH	6EC00H-6EFFFH	1BBH	76C00H-76FFFH	1DBH	7EC00H-7EFFFH	1FBH
67000H-673FFH	19CH	6F000H-6F3FFH	1BCH	77000H-773FFH	1DCH	7F000H-7F3FFH	1FCH
67400H-677FFH	19DH	6F400H-6F7FFH	1BDH	77400H-777FFH	1DDH	7F400H-7F7FFH	1FDH
67800H-67BFFH	19EH	6F800H-6FBFFH	1BEH	77800H-77BFFH	1DEH	7F800H-7FBFFH	1FEH
67C00H-67FFFH	19FH	6FC00H-6FFFFH	1BFH	77C00H-77FFFH	1DFH	7FC00H-7FFFFH	1FFH

3.1.1 Internal program memory space

The internal program memory space stores the program and table data.

The R RL78/F15 products incorporate internal ROM (flash memory), as shown below.

Table 3-2. Internal ROM Capacity

Part Number	Internal ROM	
	Structure	Capacity
R5F113mG (m = P, T)	Flash memory	128 Kbytes (00000H-1FFFFH)
R5F113mH (m = P, T)		192 Kbytes (00000H-2FFFFH)
R5F113mJ (m = P, T)		256 Kbytes (00000H-3FFFFH)
R5F113mK (m = G, L, M, P, T)		384 Kbytes (00000H-5FFFFH)
R5F113mL (m = G, L, M, P, T)		512 Kbytes (00000H-7FFFFH)

The internal program memory space is divided into the following areas.

(1) Vector table area

The 128-byte area 00000H to 0007FH is reserved as a vector table area. The program start addresses for branch upon reset or generation of each interrupt request are stored in the vector table area. Furthermore, the interrupt jump address is a 64 K address of 00000H to 0FFFFH, because the vector code is assumed to be 2 bytes.

Of the 16-bit address, the lower 8 bits are stored at even addresses and the higher 8 bits are stored at odd addresses.

To use the boot swap function, set a vector table also at 02000H to 0207FH.

Table 3-3 lists the vector table. “√” indicates an interrupt source which is supported. “–” indicates an interrupt source which is not supported.

Table 3-3. Vector Table (1/3)

Vector Table Address	Interrupt Source	144-pin	100-pin	80-pin	64-pin	48-pin
0000H	RESET, POR, LVD, WDT, TRAP, IAW, CLM	√	√	√	√	√
0004H	INTWDTI	√	√	√	√	√
0006H	INTLVI	√	√	√	√	√
0008H	INTP0	√	√	√	√	√
000AH	INTP1	√	√	√	√	√
000CH	INTP2	√	√	√	√	√
000EH	INTP3	√	√	√	√	√
0010H	INTP4/INTSPM	√	√	√	√	√
0012H	INTP5/INTCMP0	√	√	√	√	√
0014H	INTP13	√	√	√	–	–
	INTCLM	√	√	√	√	√
0016H	INTST0	√	√	√	√	√
	INTCSI00	√	√	√	√	√
	INTIIC00	√	√	√	√	√
0018H	INTSR0	√	√	√	√	√
	INTCSI01	√	√	√	√	√
	INTIIC01	√	√	√	√	√
001AH	INTTRD0	√	√	√	√	√
001CH	INTTRD1	√	√	√	√	√
001EH	INTTRJ0	√	√	√	√	√
0020H	INTRAM	√	√	√	√	√
0022H	INTLIN0TRM	√	√	√	√	√
0024H	INTLIN0RVC	√	√	√	√	√
0026H	INTLIN0STA/INTLIN0	√	√	√	√	√
0028H	INTIICA0	√	√	√	√	√
002AH	INTP8	√	√	√	√	√
	INTRTC	√	√	√	√	√
002CH	INTTM00	√	√	√	√	√
002EH	INTTM01	√	√	√	√	√
	INTLIN2TRM	√	√	–	–	–
0030H	INTTM02	√	√	√	√	√
	INTLIN2RVC	√	√	–	–	–
0032H	INTTM03	√	√	√	√	√
	INTLIN2STA	√	√	–	–	–
	INTLIN2	√	√	–	–	–
0034H	INTAD	√	√	√	√	√
0036H	INTP6	√	√	√	√	√
	INTTM11H	√	√	√	√	√
0038H	INTP7	√	√	√	√	√
	INTTM13H	√	√	√	√	√
003AH	INTP9	√	√	√	√	√
	INTTM01H	√	√	√	√	√
003CH	INTP10	√	√	√	√	–
	INTTM03H	√	√	√	√	√

Table 3-3. Vector Table (2/3)

Vector Table Address	Interrupt Source	144-pin	100-pin	80-pin	64-pin	48-pin
003EH	INTST1	√	√	√	√	√
	INTCSI10	√	√	√	√	√
	INTIIC10	√	√	√	√	√
	INTIEBBTD	√	√	√	√	√
0040H	INTSR1	√	√	√	√	√
	INTCSI11	√	√	√	√	√
	INTIIC11	√	√	√	√	√
	INTIEBBTV	√	√	√	√	√
0042H	INTTM04	√	√	√	√	√
	INTST2	√	√	–	–	–
	INTCSI20	√	√	–	–	–
0044H	INTTM05	√	√	√	√	√
	INTSR2	√	√	–	–	–
	INTCSI21	√	√	–	–	–
0046H	INTTM06	√	√	√	√	√
	INTSRE2	√	√	–	–	–
0048H	INTP15	√	–	–	–	–
	INTTM07	√	√	√	√	√
004AH	INTP11	√	√	√	√	–
	INTLIN0WUP	√	√	√	√	√
004CH	INTKR	√	√	√	√	√
004EH	INTCAN0ERR	√	√	√	√	√
0050H	INTCAN0WUP	√	√	√	√	√
0052H	INTCAN0CFR	√	√	√	√	√
0054H	INTCAN0TRM	√	√	√	√	√
0056H	INTCANGFR	√	√	√	√	√
0058H	INTCANGERR	√	√	√	√	√
005AH	INTTM10	√	√	√	√	√
	INTTM20	√	–	–	–	–
005CH	INTTM11	√	√	√	√	√
	INTTM21	√	–	–	–	–
005EH	INTTM12	√	√	√	√	√
	INTTM22	√	–	–	–	–
0060H	INTTM13	√	√	√	√	√
	INTTM23	√	–	–	–	–
0062H	INTFL	√	√	√	√	√
0064H	INTP12	√	√	√	√	–
	INTLIN1WUP	√	√	√	√	√
0066H	INTLIN1TRM	√	√	√	√	√
0068H	INTLIN1RVC	√	√	√	√	√

Table 3-3. Vector Table (3/3)

Vector Table Address	Interrupt Source	144-pin	100-pin	80-pin	64-pin	48-pin
006AH	INTLIN1STA/INTLIN1	√	√	√	√	√
006CH	INTTM14	√	√	√	√	√
	INTTM24	√	–	–	–	–
006EH	INTTM15	√	√	√	√	√
	INTTM25	√	–	–	–	–
0070H	INTTM16	√	√	√	√	√
	INTTM26	√	–	–	–	–
0072H	INTTM17	√	√	√	√	√
	INTTM27	√	–	–	–	–
0074H	INTCAN1ERR	√	√	√	√	√
0076H	INTCAN1WUP	√	√	√	√	√
0078H	INTCAN1CFR	√	√	√	√	√
007AH	INTCAN1TRM	√	√	√	√	√
007CH	INTP14	√	–	–	–	–
	INTLIN2WUP	√	√	–	–	–
007EH	BRK	√	√	√	√	√

(2) CALLT instruction table area

The 64-byte area 00080H to 000BFH can store the subroutine entry address of a 2-byte call instruction (CALLT). Set the subroutine entry address to a value in a range of 00000H to 0FFFFH (because an address code is 2 bytes).

To use the boot swap function, set a CALLT instruction table also at 02080H to 020BFH.

(3) Option byte area

A 4-byte area of 000C0H to 000C3H can be used as an option byte area. Set the option byte at 020C0H to 020C3H when the boot swap is used. For details, see **CHAPTER 30 OPTION BYTE**.

(4) On-chip debug security ID setting area

A 10-byte area of 000C4H to 000CDH and 020C4H to 020CDH can be used as an on-chip debug security ID setting area. Set the on-chip debug security ID of 10 bytes at 000C4H to 000CDH when the boot swap is not used and at 000C4H to 000CDH and at 020C4H to 020CDH when the boot swap is used. For details, see **CHAPTER 32 ON-CHIP DEBUG FUNCTION**.

3.1.2 Mirror area

The RL78/F15 mirror the code flash area of 00000H to 0FFFFH or 10000H to 1FFFFH, to F0000H to FFFFFH (the code flash area to be mirrored is set by the processor mode control register (PMC)).

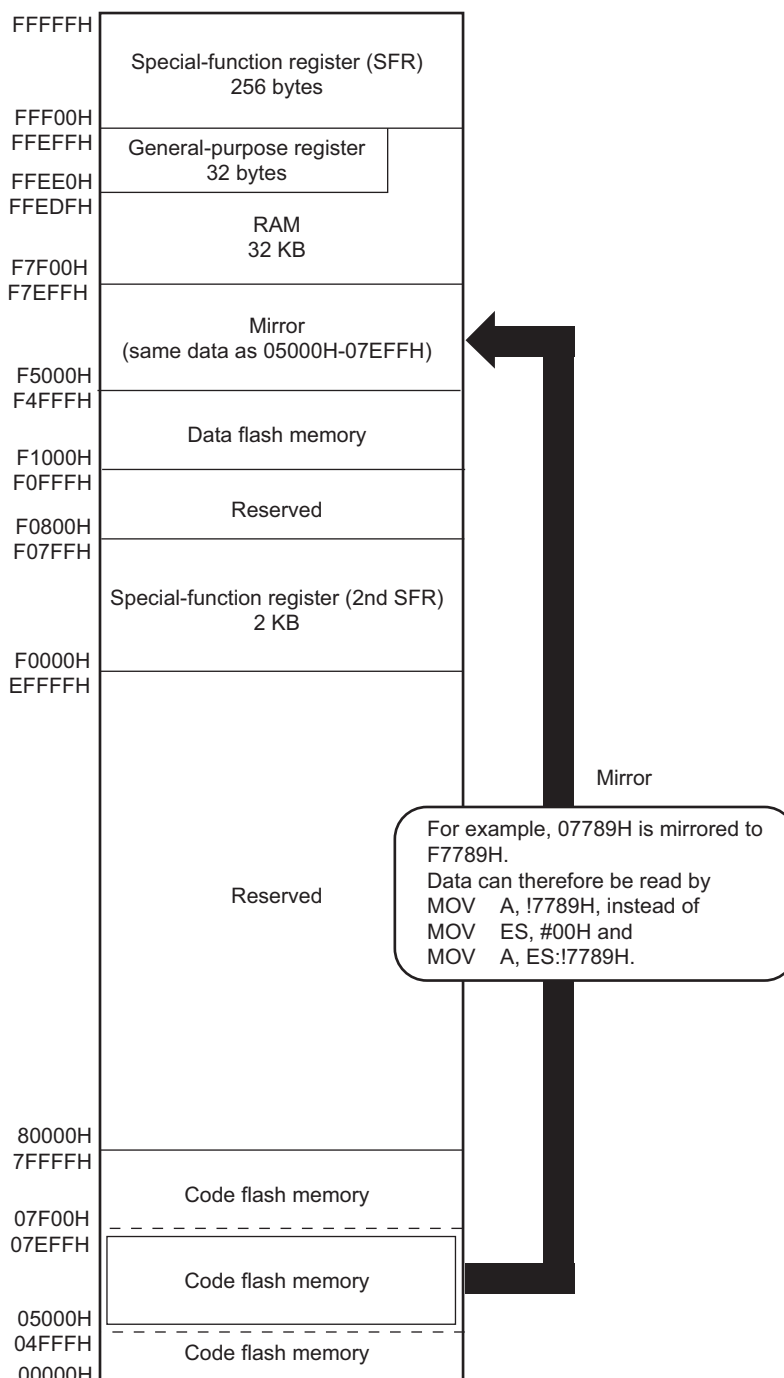
By reading data from F0000H to FFFFFH, an instruction that does not have the ES register as an operand can be used, and thus the contents of the code flash can be read with the shorter code. However, the code flash area is not mirrored to the SFR, extended SFR, RAM, data flash memory, and use prohibited areas.

See **3.1 Memory Space** for the mirror area of each product.

The mirror area can only be read and no instruction can be fetched from this area.

The following show examples.

Example R5F113mL (m = G, M, L, P, T) (Flash memory: 512 KB, RAM: 32 KB)



The PMC register is described below.

- **Processor mode control register (PMC)**

This register sets the flash memory space for mirroring to area from F0000H to FFFFFH.

The PMC register can be set by a 1-bit or 8-bit memory manipulation instruction.

Reset signal generation sets this register to 00H.

Figure 3-6. Format of Configuration of Processor Mode Control Register (PMC)

Address: FFFFEH After reset: 00H R/W

Symbol	7	6	5	4	3	2	1	<0>
PMC	0	0	0	0	0	0	0	MAA

MAA	Selection of flash memory space for mirroring to area from F0000H to FFFFFH
0	00000H to 0FFFFH is mirrored to F0000H to FFFFFH
1	10000H to 1FFFFH is mirrored to F0000H to FFFFFH

- Cautions**
1. Set the PMC register only once during the initial settings prior to operating the data transfer controller (DTC). Rewriting the PMC register other than during the initial settings is prohibited.
 2. After setting the PMC register, wait for at least one instruction and access the mirror area.

3.1.3 Internal data memory space

The RL78/F15 products incorporate the following RAMs.

Table 3-4. Internal RAM Capacity

Part Number	Internal RAM
R5F113mG (m = P, T)	10 Kbyte (FD700H to FFEFFH)
R5F113mH (m = P, T)	16 Kbyte (FBF00H to FFEFFH)
R5F113mJ (m = P, T)	20 Kbyte (FAF00H to FFEFFH)
R5F113mK (m = G, L, M, P, T)	26 Kbyte (F9700H to FFEFFH)
R5F113mL (m = G, L, M, P, T)	32 Kbyte (F7F00H to FFEFFH)

The internal RAM can be used as a data area and a program area where instructions are written and executed. Four general-purpose register banks consisting of eight 8-bit registers per bank are assigned to the 32-byte area of FFEE0H to FFEFFH of the internal RAM area. However, instructions cannot be executed by using the general-purpose registers.

The internal RAM is used as a stack memory.

- Cautions**
1. It is prohibited to use the general-purpose register (FFEE0H to FFEFFH) space for fetching instructions or as a stack area.
 2. Do not allocate RAM addresses which are used as stack area, data buffers used by the libraries, branch destinations for vectored interrupt servicing, or DTC transfer destinations/transfer sources to the area FFE20H to FFEDFH when performing self-programming and rewriting the data flash memory.
 3. Using the following product RAM areas in the corresponding products below is prohibited since the respective libraries use them in self-programming and overwriting of the data flash memory. However, the area to which this prohibition applies may vary with the version of the library. For details, refer to the manuals for the individual libraries.

R5F113mL (m = G, L, M, P, T) :F7F00H to F82FFH

3.1.4 Special function register (SFR) area

On-chip peripheral hardware special function registers (SFRs) are allocated in the area FFF00H to FFFFFH (see **Table 3-5 SFR List** in **3.2.4 Special function registers (SFRs)**).

Caution Do not access addresses to which SFRs are not assigned.

3.1.5 Extended special function register (2nd SFR: 2nd Special Function Register) area

On-chip peripheral hardware special function registers (2nd SFRs) are allocated in the area F0000H to F07FFH (see **Table 3-6 Extended SFR (2nd SFR) List** in **3.2.5 Extended special function registers (2nd SFRs: 2nd Special Function Registers)**).

SFRs other than those in the SFR area (FFF00H to FFFFFH) are allocated to this area. An instruction that accesses the extended SFR area, however, is 1 byte longer than an instruction that accesses the SFR area.

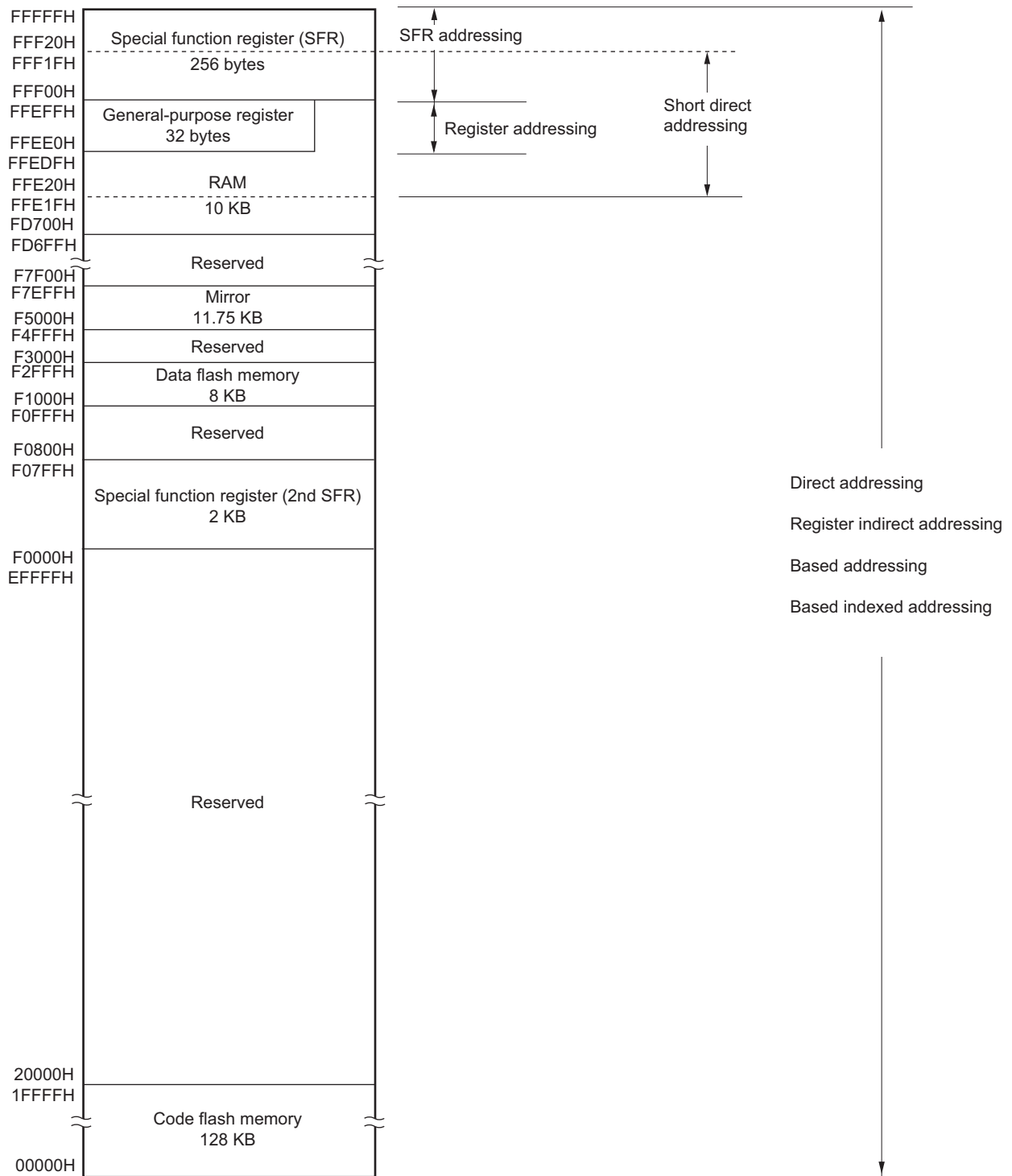
Caution Do not access addresses to which extended SFRs are not assigned.

3.1.6 Data memory addressing

Addressing refers to the method of specifying the address of the instruction to be executed next or the address of the register or memory relevant to the execution of instructions.

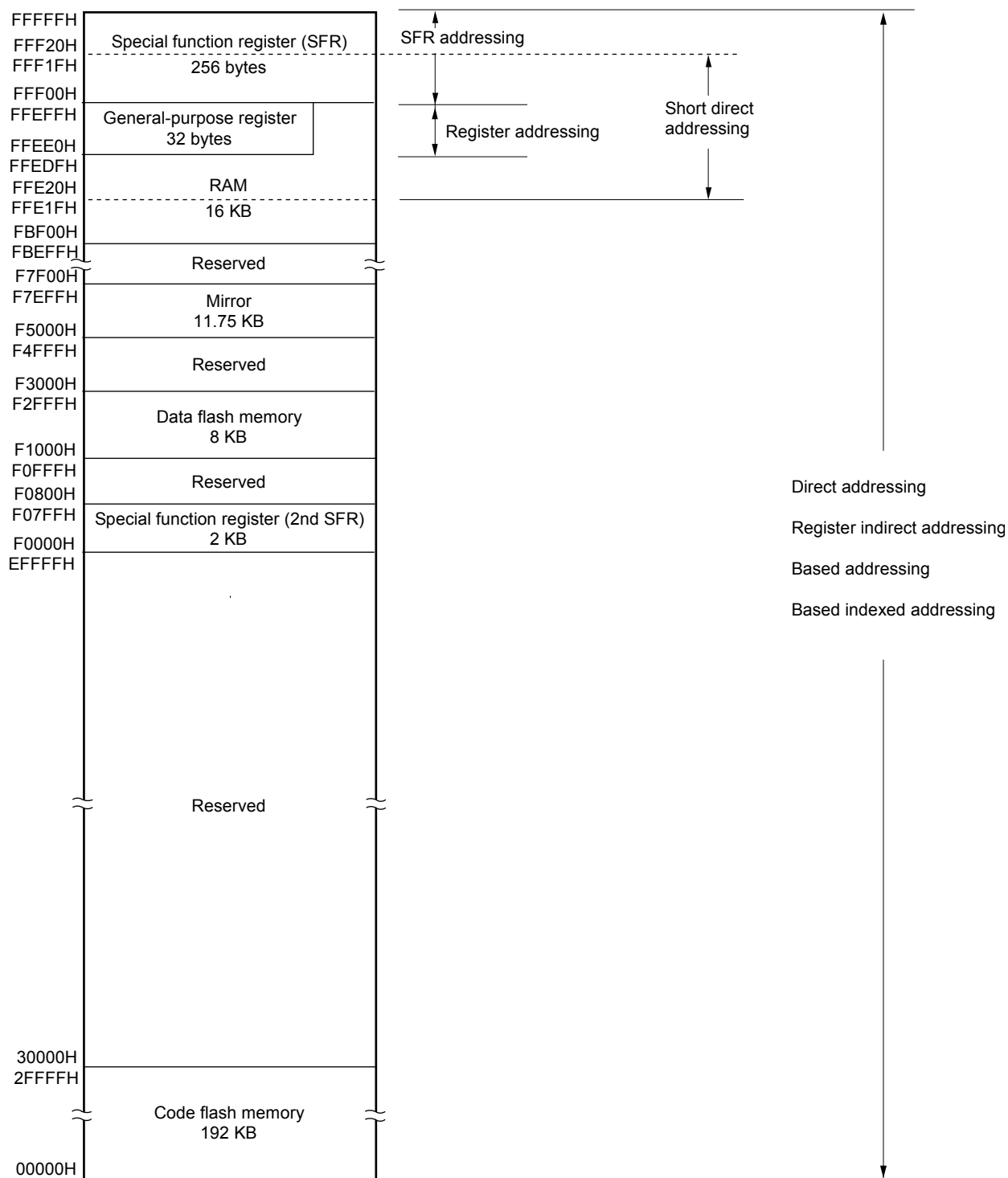
Several addressing modes are provided for addressing the memory relevant to the execution of instructions for the RL78/F15, based on operability and other considerations. For areas containing data memory in particular, special addressing methods designed for the functions of the special function registers (SFR) and general-purpose registers are available for use. Figures 3-7 to 3-11 show correspondence between data memory and addressing. For details of each addressing, see **3.4 Addressing for Processing Data Addresses**.

Figure 3-7. Correspondence between Data Memory and Addressing R5F113mG (m = P, T)



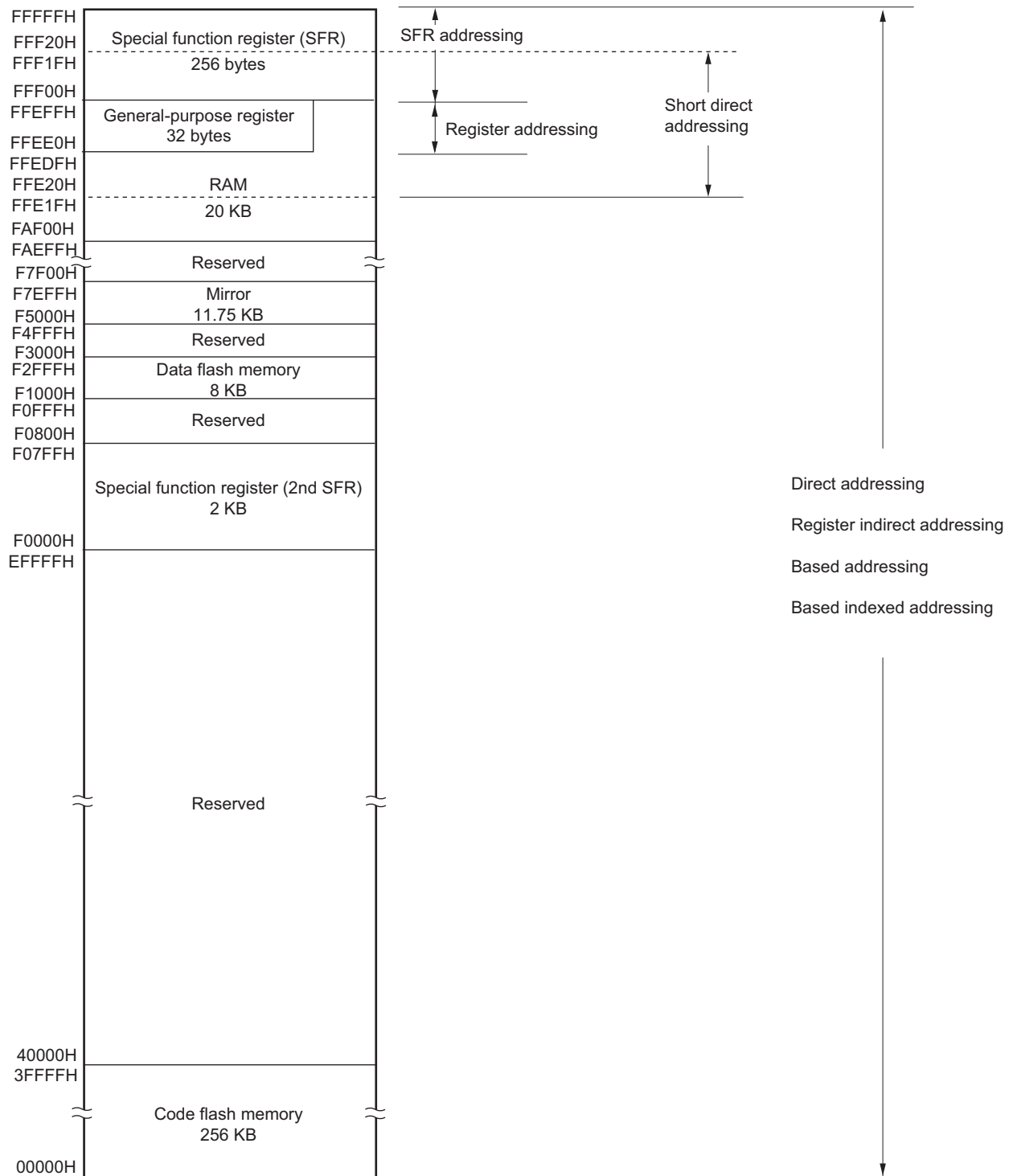
Caution When executing instructions from the RAM area, be sure to initialize the used RAM area + 10 bytes with any desired value.

Figure 3-8. Correspondence between Data Memory and Addressing (R5F113mH (m = P, T))



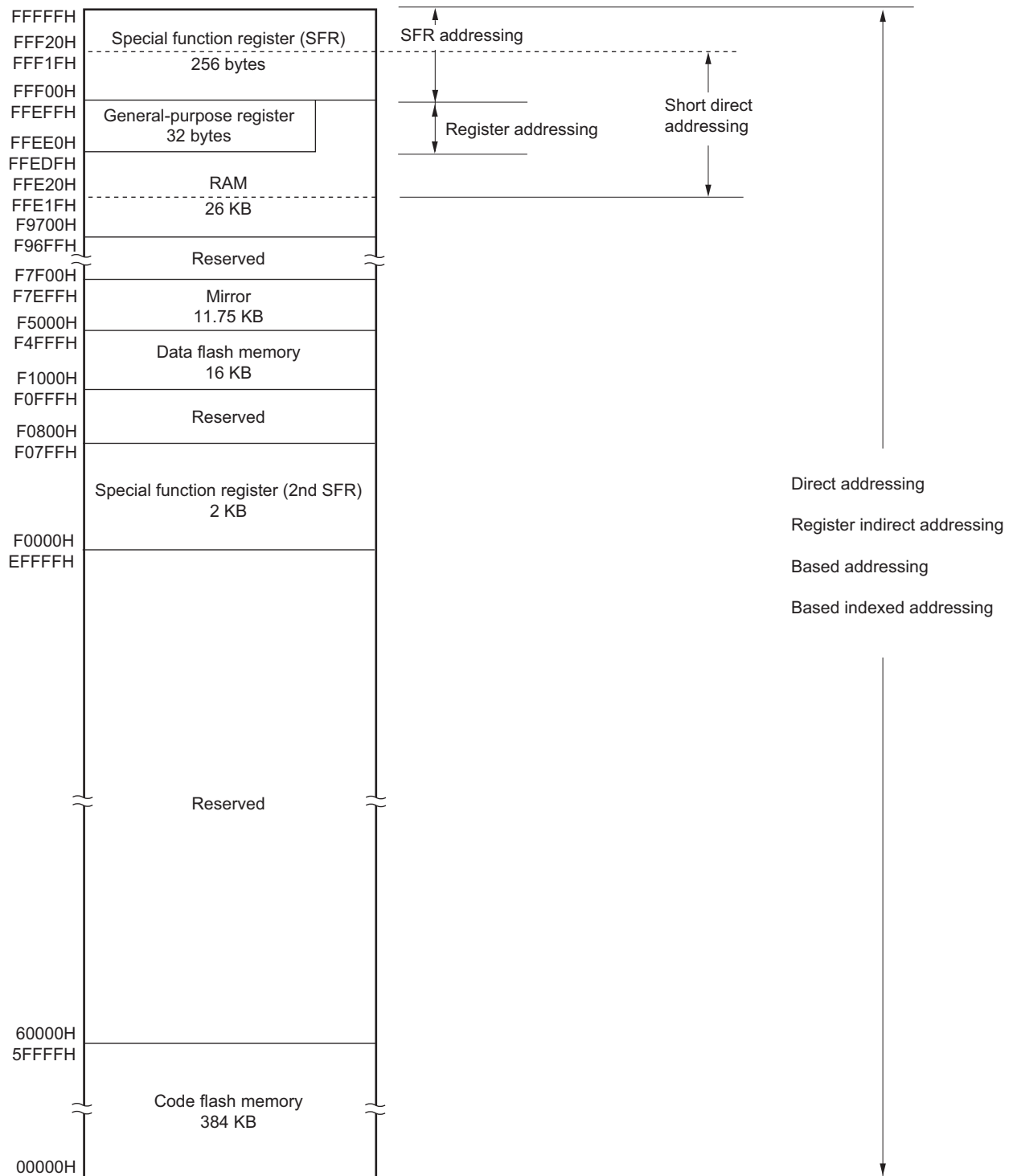
Caution When executing instructions from the RAM area, be sure to initialize the used RAM area + 10 bytes with any desired value.

Figure 3-9. Correspondence between Data Memory and Addressing (R5F113mJ (m = P, T))



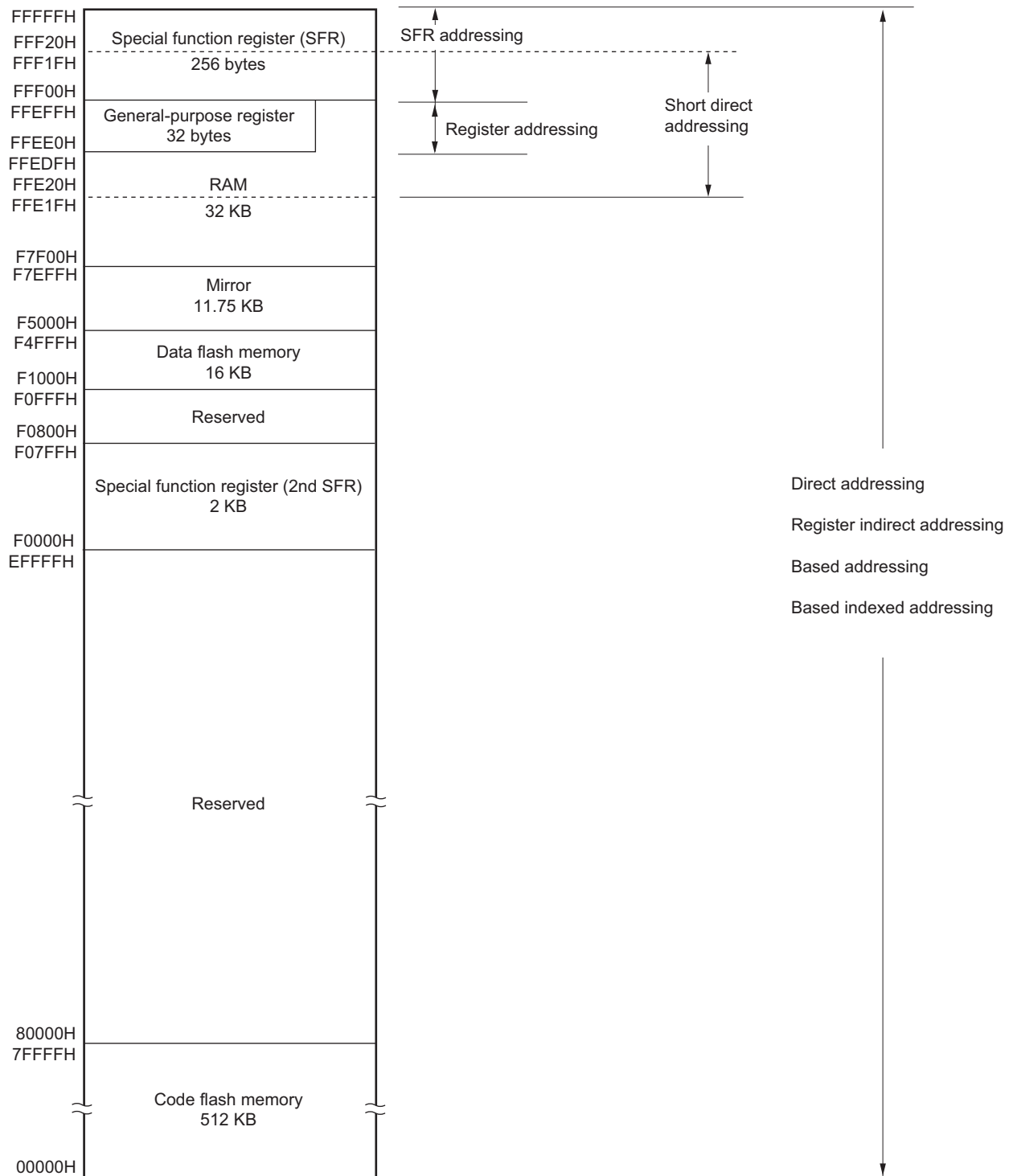
Caution When executing instructions from the RAM area, be sure to initialize the used RAM area + 10 bytes with any desired value.

Figure 3-10. Correspondence between Data Memory and Addressing (R5F113mK (m = G, L, M, P, T))



Caution When executing instructions from the RAM area, be sure to initialize the used RAM area + 10 bytes with any desired value.

Figure 3-11. Correspondence between Data Memory and Addressing (R5F113mL (m = G, L, M, P, T))



Caution When executing instructions from the RAM area, be sure to initialize the used RAM area + 10 bytes with any desired value.

3.2 Processor Registers

The RL78/F15 products incorporate the following processor registers.

3.2.1 Control registers

The control registers control the program sequence, statuses and stack memory. The control registers consist of a program counter (PC), a program status word (PSW) and a stack pointer (SP).

(1) Program counter (PC)

The program counter is a 20-bit register that holds the address information of the next program to be executed. In normal operation, PC is automatically incremented according to the number of bytes of the instruction to be fetched. When a branch instruction is executed, immediate data and register contents are set. Reset signal generation sets the reset vector table values at addresses 0000H and 0001H to the program counter.

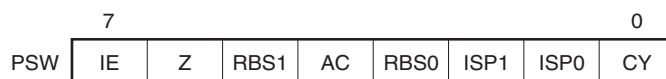
Figure 3-12. Format of Program Counter



(2) Program status word (PSW)

The program status word is an 8-bit register consisting of various flags set/reset by instruction execution. Program status word contents are stored in the stack area upon vectored interrupt request is acknowledged or PUSH PSW instruction execution and are restored upon execution of the RETB, RETI and POP PSW instructions. Reset signal generation sets the PSW register to 06H.

Figure 3-13. Format of Program Status Word



(a) Interrupt enable flag (IE)

This flag controls the interrupt request acknowledge operations of the CPU. When 0, the IE flag is set to the interrupt disabled (DI) state, and all maskable interrupt requests are disabled. When 1, the IE flag is set to the interrupt enabled (EI) state and interrupt request acknowledgment is controlled with an in-service priority flag (ISP1, ISP0), an interrupt mask flag for various interrupt sources, and a priority specification flag. The IE flag is reset (0) upon DI instruction execution or interrupt acknowledgment and is set (1) upon EI instruction execution.

(b) Zero flag (Z)

When the operation result is zero, this flag is set (1). It is reset (0) in all other cases.

(c) Register bank select flags (RBS0, RBS1)

These are 2-bit flags to select one of the four register banks. In these flags, the 2-bit information that indicates the register bank selected by SEL RBn instruction execution is stored.

(d) Auxiliary carry flag (AC)

If the operation result has a carry from bit 3 or a borrow at bit 3, this flag is set (1). It is reset (0) in all other cases.

(e) In-service priority flags (ISP1, ISP0)

This flag manages the priority of acknowledgeable maskable vectored interrupts. Vectored interrupt requests specified lower than the value of ISP0 and ISP1 flags by the priority specification flag registers (PRn0L, PRn0H, PRn1L, PRn1H, PRn2L, PRn2H, PRn3L, PRn3H) (see 22.3.3 **Priority specification flag registers (PR00L, PR00H, PR01L, PR01H, PR02L, PR02H, PR03L, PR03H, PR10L, PR10H, PR11L, PR11H, PR12L, PR12H, PR13L, PR13H)**) can not be acknowledged.

Actual request acknowledgment is controlled by the interrupt enable flag (IE).

Remark n = 0, 1

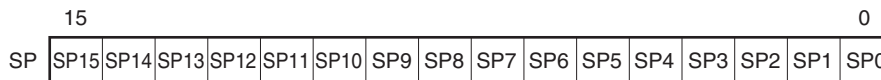
(f) Carry flag (CY)

This flag stores overflow and underflow upon add/subtract instruction execution. It stores the shift-out value upon rotate instruction execution and functions as a bit accumulator during bit operation instruction execution.

(3) Stack pointer (SP)

This is a 16-bit register to hold the start address of the memory stack area. Only the internal RAM area can be set as the stack area.

Figure 3-14. Format of Stack Pointer

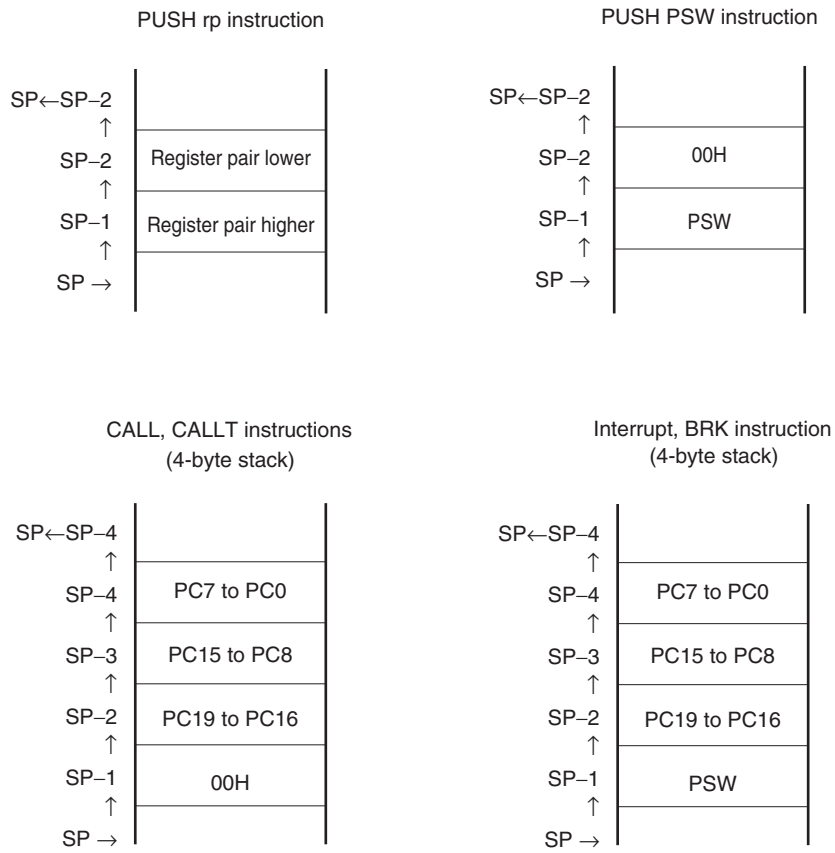


The SP is decremented ahead of write (save) to the stack memory and is incremented after read (restored) from the stack memory.

Each stack operation saves data as shown in Figure 3-15.

- Cautions**
1. Since reset signal generation makes the SP contents undefined, be sure to initialize the SP before using the stack.
 2. It is prohibited to use the general-purpose register (FFEE0H to FFEFFH) space as a stack area.
 3. The internal RAM in the following product cannot be used as stack memory when using the self-programming and data flash function. However, the area to which this prohibition applies may vary with the version of the library. For details, refer to the manual for the individual library.
R5F113mL (m = G, L, M, P, T) : F7F00H to F82FFH
 4. The internal RAM in the following product cannot be used as stack memory when using the tracing function of on-chip debugging.
R5F113mL (m = G, L, M, P, T) : F8300H to F84FFH
 5. The internal RAM in the following product cannot be used as stack memory when the hot plug-in function is used or when the DTC is in use for the RRM or DMM function.
R5F113mL (m = G, L, M, P, T) : F8500H to F852FH

Figure 3-15. Data to Be Saved to Stack Memory



3.2.2 General-purpose registers

General-purpose registers are mapped at particular addresses (FFEE0H to FFEFFH) of the data memory. The general-purpose registers consists of 4 banks, each bank consisting of eight 8-bit registers (X, A, C, B, E, D, L, and H).

Each register can be used as an 8-bit register, and two 8-bit registers can also be used in a pair as a 16-bit register (AX, BC, DE, and HL).

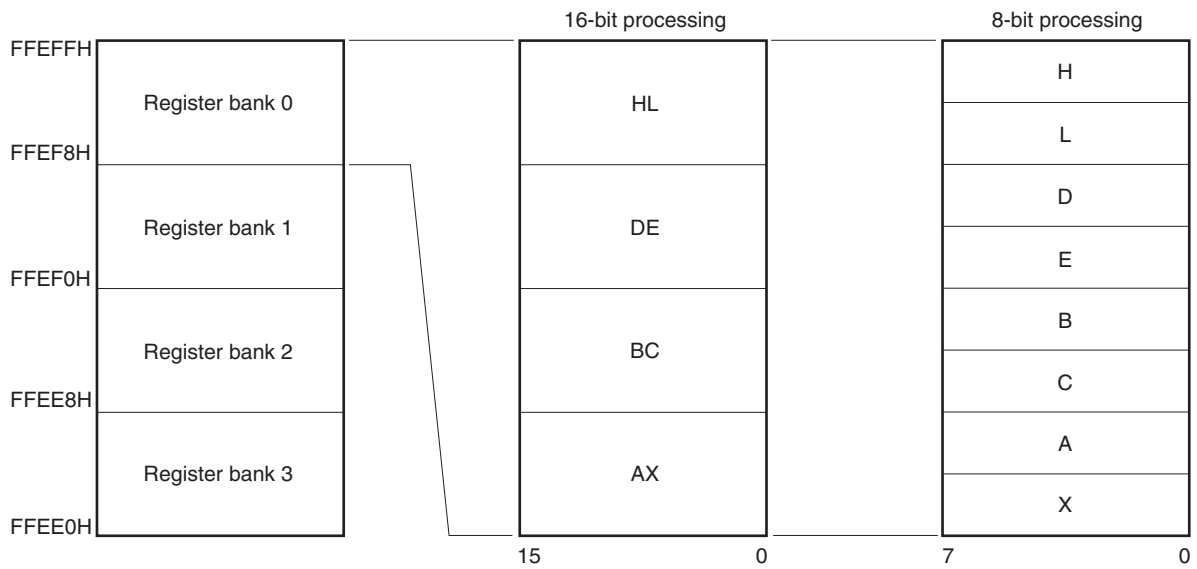
These registers can be described in terms of function names (X, A, C, B, E, D, L, H, AX, BC, DE, and HL) and absolute names (R0 to R7 and RP0 to RP3).

Register banks to be used for instruction execution are set by the CPU control instruction (SEL RBn). Because of the 4-register bank configuration, an efficient program can be created by switching between a register for normal processing and a register for interrupts for each bank.

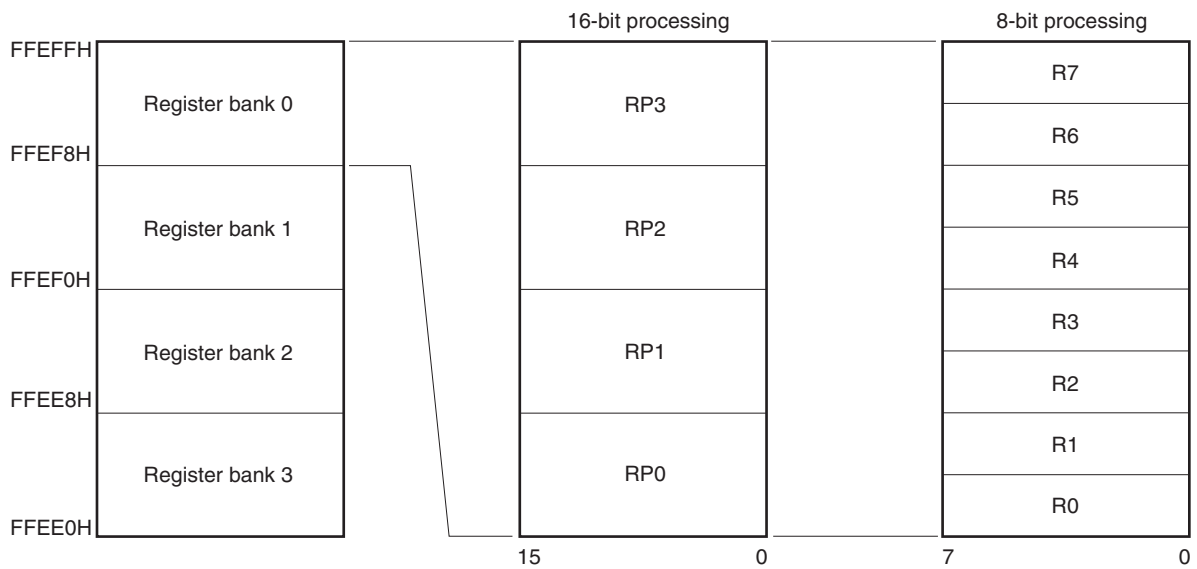
Caution It is prohibited to use the general-purpose register (FFEE0H to FFEFFH) space for fetching instructions or as a stack area.

Figure 3-16. Configuration of General-Purpose Registers

(a) Function name



(b) Absolute name



3.2.3 ES and CS registers

The ES register is used for data access and the CS register is used to specify the higher address when a branch instruction is executed.

The default value of the ES register after reset is 0FH, and that of the CS register is 00H.

Figure 3-17. Configuration of ES and CS Registers

	7	6	5	4	3	2	1	0
ES	0	0	0	0	ES3	ES2	ES1	ES0
CS	0	0	0	0	CS3	CP2	CP1	CP0

3.2.4 Special function registers (SFRs)

Unlike a general-purpose register, each SFR has a special function.

SFRs are allocated to the FFF00H to FFFFFH area.

SFRs can be manipulated like general-purpose registers, using operation, transfer, and bit manipulation instructions. The manipulable bit units, 1, 8, and 16, depend on the SFR type.

Each manipulation bit unit can be specified as follows.

- 1-bit manipulation
Describe the symbol reserved by the assembler for the 1-bit manipulation instruction operand (sfr.bit).
This manipulation can also be specified with an address.
- 8-bit manipulation
Describe the symbol reserved by the assembler for the 8-bit manipulation instruction operand (sfr).
This manipulation can also be specified with an address.
- 16-bit manipulation
Describe the symbol reserved by the assembler for the 16-bit manipulation instruction operand (sfrp).
When specifying an address, describe an even address.

Table 3-5 gives a list of the SFRs. The meanings of items in the table are as follows.

- Symbol
This item indicates the address of a special function register. It is a reserved word in the assembler, and is defined as an sfr variable using the #pragma sfr directive in the compiler. When using the assembler, debugger, and simulator, symbols can be written as an instruction operand.
- R/W
This item indicates whether the corresponding SFR can be read or written.
R/W: Read/write enable
R: Read only
W: Write only
- Manipulable bit units
“√” indicates the manipulable bit unit (1, 8, or 16). “–” indicates a bit unit for which manipulation is not possible.
- After reset
This item indicates each register status upon reset signal generation.

Caution Do not access addresses to which SFRs are not assigned.

Remark For extended SFRs (2nd SFRs), see 3.2.5 **Extended special function registers (2nd SFRs: 2nd Special Function Registers)**.

Table 3-5. SFR List (1/6)

Address	Special Function Register (SFR) Name	Symbol		R/W	Manipulable Bit Range			After Reset
					1-bit	8-bit	16-bit	
FFF00H	Port register 0	P0		R/W	√	√	–	00H
FFF01H	Port register 1	P1		R/W	√	√	–	00H
FFF02H	Port register 2	P2		R/W	√	√	–	00H
FFF03H	Port register 3	P3		R/W	√	√	–	00H
FFF04H	Port register 4	P4		R/W	√	√	–	00H
FFF05H	Port register 5	P5		R/W	√	√	–	00H
FFF06H	Port register 6	P6		R/W	√	√	–	00H
FFF07H	Port register 7	P7		R/W	√	√	–	00H
FFF08H	Port register 8	P8		R/W	√	√	–	00H
FFF09H	Port register 9	P9		R/W	√	√	–	00H
FFF0AH	Port register 10	P10		R/W	√	√	–	00H
FFF0BH	Port register 11	P11		R/W	√	√	–	00H
FFF0CH	Port register 12	P12		R/W	√	√	–	Undefined
FFF0DH	Port register 13	P13		R/W	√	√	–	Undefined ^{Note}
FFF0EH	Port register 14	P14		R/W	√	√	–	00H
FFF0FH	Port register 15	P15		R/W	√	√	–	00H
FFF10H	Serial data register 00	SDR00L	SDR00	R/W	–	√	√	0000H
FFF11H		–			–			
FFF12H	Serial data register 01	SDR01L	SDR01	R/W	–	√	√	0000H
FFF13H		–			–			
FFF18H	Timer data register 00	TDR00		R/W	–	–	√	0000H
FFF19H								
FFF1AH	Timer data register 01	TDR01L	TDR01	R/W	–	√	√	0000H
FFF1BH		TDR01H			–	√		
FFF1CH	Port register 16	P16		R/W	√	√	–	00H
FFF1DH	Port mode register 16	PM16		R/W	√	√	–	FFH
FFF1EH	10-bit A/D conversion result register	ADCR		R	–	–	√	0000H
FFF1FH	8-bit A/D conversion result register	ADCRH		R	–	√	–	00H
FFF20H	Port mode register 0	PM0		R/W	√	√	–	FFH
FFF21H	Port mode register 1	PM1		R/W	√	√	–	FFH
FFF22H	Port mode register 2	PM2		R/W	√	√	–	FFH
FFF23H	Port mode register 3	PM3		R/W	√	√	–	FFH
FFF24H	Port mode register 4	PM4		R/W	√	√	–	FFH
FFF25H	Port mode register 5	PM5		R/W	√	√	–	FFH
FFF26H	Port mode register 6	PM6		R/W	√	√	–	FFH
FFF27H	Port mode register 7	PM7		R/W	√	√	–	FFH

Note P130 bit depends on the setting of User Option Byte (000C2H/020C2H).

Table 3-5. SFR List (2/6)

Address	Special Function Register (SFR) Name	Symbol		R/W	Manipulable Bit Range			After Reset
					1-bit	8-bit	16-bit	
FFF28H	Port mode register 8	PM8		R/W	√	√	–	FFH
FFF29H	Port mode register 9	PM9		R/W	√	√	–	FFH
FFF2AH	Port mode register 10	PM10		R/W	√	√	–	FFH
FFF2BH	Port mode register 11	PM11		R/W	√	√	–	FFH
FFF2CH	Port mode register 12	PM12		R/W	√	√	–	FFH
FFF2DH	Port mode register 13	PM13		R/W	√	√	–	FFH
FFF2EH	Port mode register 14	PM14		R/W	√	√	–	FFH
FFF2FH	Port mode register 15	PM15		R/W	√	√	–	FFH
FFF30H	A/D converter mode register 0	ADM0		R/W	√	√	–	00H
FFF31H	Analog input channel specification register	ADS		R/W	√	√	–	00H
FFF32H	A/D converter mode register 1	ADM1		R/W	√	√	–	00H
FFF34H	D/A conversion value setting register 0	DACS0		R/W	–	√	–	00H
FFF36H	D/A converter mode register	DAM		R/W	√	√	–	00H
FFF37H	Key return mode register	KRM		R/W	√	√	–	00H
FFF38H	External interrupt rising edge enable register 0	EGP0		R/W	√	√	–	00H
FFF39H	External interrupt falling edge enable register 0	EGN0		R/W	√	√	–	00H
FFF3AH	External interrupt rising edge enable register 1	EGP1		R/W	√	√	–	00H
FFF3BH	External interrupt falling edge enable register 1	EGN1		R/W	√	√	–	00H
FFF48H	Serial data register 10 ^{Note1}	SDR10L	SDR10	R/W	–	√	√	0000H
FFF49H		–			–	–		
FFF48H	Serial data register 20 ^{Note2}	SDR20L	SDR20	R/W	–	√	√	0000H
FFF49H		–			–	–		
FFF4AH	Serial data register 11 ^{Note1}	SDR11L	SDR11	R/W	–	√	√	0000H
FFF4BH		–			–	–		
FFF4AH	Serial data register 21 ^{Note2}	SDR21L	SDR21	R/W	–	√	√	0000H
FFF4BH		–			–	–		
FFF50H	IICA shift register 0	IICA0		R/W	–	√	–	00H
FFF51H	IICA status register 0	IICS0		R	√	√	–	00H
FFF52H	IICA flag register 0	IICF0		R/W	√	√	–	00H
FFF54H	16-bit watch error correction register	SUBCUDW		R/W	–	–	√	0000H
FFF55H								

- Notes 1.** Accessible when SSEL0 bit of UTSEL register is 0.
2. Accessible when SSEL0 bit of UTSEL register is 1.

Table 3-5. SFR List (3/6)

Address	Special Function Register (SFR) Name	Symbol		R/W	Manipulable Bit Range			After Reset
					1-bit	8-bit	16-bit	
FFF58H	Timer RD general register C0	TRDGRC0		R/W	–	–	√	FFFFH ^{Note 1}
FFF59H								
FFF5AH	Timer RD general register D0	TRDGRD0		R/W	–	–	√	FFFFH ^{Note 1}
FFF5BH								
FFF5CH	Timer RD general register C1	TRDGRC1		R/W	–	–	√	FFFFH ^{Note 1}
FFF5DH								
FFF5EH	Timer RD general register D1	TRDGRD1		R/W	–	–	√	FFFFH ^{Note 1}
FFF5FH								
FFF64H	Timer data register 02	TDR02		R/W	–	–	√	0000H
FFF65H								
FFF66H	Timer data register 03	TDR03L	TDR03	R/W	–	√	√	0000H
FFF67H		TDR03H			–	√		
FFF68H	Timer data register 04	TDR04		R/W	–	–	√	0000H
FFF69H								
FFF6AH	Timer data register 05	TDR05		R/W	–	–	√	0000H
FFF6BH								
FFF6CH	Timer data register 06	TDR06		R/W	–	–	√	0000H
FFF6DH								
FFF6EH	Timer data register 07	TDR07		R/W	–	–	√	0000H
FFF6FH								
FFF70H	Timer data register 10 ^{Note 2}	TDR10		R/W	–	–	√	0000H
FFF71H								
FFF70H	Timer data register 20 ^{Note 3}	TDR20		R/W	–	–	√	0000H
FFF71H								
FFF72H	Timer data register 11 ^{Note 2}	TDR11L	TDR11	R/W	–	√	√	0000H
FFF73H		TDR11H			–	√		
FFF72H	Timer data register 21 ^{Note 3}	TDR21		R/W	–	–	√	0000H
FFF73H								
FFF74H	Timer data register 12 ^{Note 2}	TDR12		R/W	–	–	√	0000H
FFF75H								
FFF74H	Timer data register 22 ^{Note 3}	TDR22		R/W	–	–	√	0000H
FFF75H								

Notes 1. The timer RD SFRs are undefined when FRQSEL4 = 1 in the user option byte (000C2H/020C2H) and TRD0EN = 0 in the PER1 register. If it is necessary to read the initial value, set f_{CLK} to f_H and TRD0EN = 1 before reading.

2. Accessible when TSEL0 bit of UTSEL register is 0.
3. Accessible when TSEL0 bit of UTSEL register is 1.

Table 3-5. SFR List (4/6)

Address	Special Function Register (SFR) Name	Symbol		R/W	Manipulable Bit Range			After Reset
					1-bit	8-bit	16-bit	
FFF76H	Timer data register 13 ^{Note 2}	TDR13L	TDR13	R/W	–	√	√	0000H
FFF77H		TDR13H			–	√		
FFF76H	Timer data register 23 ^{Note 3}	TDR23		R/W	–	–	√	0000H
FFF77H								
FFF78H	Timer data register 14 ^{Note 2}	TDR14		R/W	–	–	√	0000H
FFF79H								
FFF78H	Timer data register 24 ^{Note 3}	TDR24		R/W	–	–	√	0000H
FFF79H								
FFF7AH	Timer data register 15 ^{Note 2}	TDR15		R/W	–	–	√	0000H
FFF7BH								
FFF7AH	Timer data register 25 ^{Note 3}	TDR25		R/W	–	–	√	0000H
FFF7BH								
FFF7CH	Timer data register 16 ^{Note 2}	TDR16		R/W	–	–	√	0000H
FFF7DH								
FFF7CH	Timer data register 26 ^{Note 3}	TDR26		R/W	–	–	√	0000H
FFF7DH								
FFF7EH	Timer data register 17 ^{Note 2}	TDR17		R/W	–	–	√	0000H
FFF7FH								
FFF7EH	Timer data register 27 ^{Note 3}	TDR27		R/W	–	–	√	0000H
FFF7FH								
FFF92H	Second count register	SEC		R/W	–	√	–	00H
FFF93H	Minute count register	MIN		R/W	–	√	–	00H
FFF94H	Hour count register	HOUR		R/W	–	√	–	12H ^{Note 1}
FFF95H	Week count register	WEEK		R/W	–	√	–	00H
FFF96H	Day count register	DAY		R/W	–	√	–	01H
FFF97H	Month count register	MONTH		R/W	–	√	–	01H
FFF98H	Year count register	YEAR		R/W	–	√	–	00H
FFF99H	Watch error correction register	SUBCUD		R/W	–	√	–	00H
FFF9AH	Alarm minute register	ALARMWM		R/W	–	√	–	00H
FFF9BH	Alarm hour register	ALARMWH		R/W	–	√	–	12H
FFF9CH	Alarm week register	ALARMWW		R/W	–	√	–	00H
FFF9DH	Real-time clock control register 0	RTCC0		R/W	√	√	–	00H

- Notes 1.** The value of this register is 00H if the AMPM bit (bit 3 of real-time clock control register 0 (RTCC0)) is set to 1 after reset.
- 2.** Accessible when TSEL0 bit of UTSEL register is 0.
- 3.** Accessible when TSEL0 bit of UTSEL register is 1.

Table 3-5. SFR List (5/6)

Address	Special Function Register (SFR) Name	Symbol		R/W	Manipulable Bit Range			After Reset
					1-bit	8-bit	16-bit	
FFF9EH	Real-time clock control register 1	RTCC1		R/W	√	√	–	00H
FFFA0H	Clock operation mode control register	CMC		R/W	–	√	–	00H
FFFA1H	Clock operation status control register	CSC		R/W	√	√	–	C0H
FFFA2H	Oscillation stabilization time counter status register	OSTC		R	√	√	–	00H
FFFA3H	Oscillation stabilization time select register	OSTS		R/W	–	√	–	07H
FFFA4H	System clock control register	CKC		R/W	√	√	–	00H
FFFA5H	Clock output select register 0	CKS0		R/W	√	√	–	00H
FFFA8H	Reset control flag register	RESF		R	–	√	–	Undefined Note 1
FFFA9H	Voltage detection register	LVIM		R/W	√	√	–	00H Note 2
FFFAAH	Voltage detection level register	LVIS		R/W	√	√	–	00H/01H/ 81H Note 3
FFFABH	Watchdog timer enable register	WDTE		R/W	–	√	–	1AH/ 9AH Note 4
FFFACH	CRC input register	CRCIN		R/W	–	√	–	00H
FFFD0H	Interrupt request flag register 2L	IF2L	IF2	R/W	√	√	√	0000H
FFFD1H	Interrupt request flag register 2H	IF2H		R/W	√	√		
FFFD2H	Interrupt request flag register 3L	IF3L	IF3	R/W	√	√	√	0000H
FFFD3H	Interrupt request flag register 3H	IF3H		R/W	√	√		
FFFD4H	Interrupt mask flag register 2L	MK2L	MK2	R/W	√	√	√	FFFFH
FFFD5H	Interrupt mask flag register 2H	MK2H		R/W	√	√		
FFFD6H	Interrupt mask flag register 3L	MK3L	MK3	R/W	√	√	√	FFFFH
FFFD7H	Interrupt mask flag register 3H	MK3H		R/W	√	√		
FFFD8H	Priority specification flag register 02L	PR02L	PR02	R/W	√	√	√	FFFFH
FFFD9H	Priority specification flag register 02H	PR02H		R/W	√	√		
FFFDAH	Priority specification flag register 03L	PR03L	PR03	R/W	√	√	√	FFFFH
FFFDDBH	Priority specification flag register 03H	PR03H		R/W	√	√		
FFFDCH	Priority specification flag register 12L	PR12L	PR12	R/W	√	√	√	FFFFH
FFDDH	Priority specification flag register 12H	PR12H		R/W	√	√		
FFFDEH	Priority specification flag register 13L	PR13L	PR13	R/W	√	√	√	FFFFH
FFDFH	Priority specification flag register 13H	PR13H		R/W	√	√		
FFFE0H	Interrupt request flag register 0L	IF0L	IF0	R/W	√	√	√	0000H
FFFE1H	Interrupt request flag register 0H	IF0H		R/W	√	√		
FFFE2H	Interrupt request flag register 1L	IF1L	IF1	R/W	√	√	√	0000H
FFFE3H	Interrupt request flag register 1H	IF1H		R/W	√	√		

- Notes**
1. The reset value of the RESF register varies depending on the reset source.
 2. The reset value of the LVIM register varies depending on the reset source.
 3. The reset value of the LVIS register varies depending on the reset source and the setting of the option byte.
 4. The reset value of the WDTE register is determined by the setting of the option byte.

Table 3-5. SFR List (6/6)

Address	Special Function Register (SFR) Name	Symbol		R/W	Manipulable Bit Range			Undefined
					1-bit	8-bit	16-bit	
FFFE4H	Interrupt mask flag register 0L	MK0L	MK0	R/W	√	√	√	FFFFH
FFFE5H	Interrupt mask flag register 0H	MK0H		R/W	√	√		
FFFE6H	Interrupt mask flag register 1L	MK1L	MK1	R/W	√	√	√	FFFFH
FFFE7H	Interrupt mask flag register 1H	MK1H		R/W	√	√		
FFFE8H	Priority specification flag register 00L	PR00L	PR00	R/W	√	√	√	FFFFH
FFFE9H	Priority specification flag register 00H	PR00H		R/W	√	√		
FFFEAH	Priority specification flag register 01L	PR01L	PR01	R/W	√	√	√	FFFFH
FFFEBH	Priority specification flag register 01H	PR01H		R/W	√	√		
FFFECH	Priority specification flag register 10L	PR10L	PR10	R/W	√	√	√	FFFFH
FFFEEDH	Priority specification flag register 10H	PR10H		R/W	√	√		
FFFEFH	Priority specification flag register 11L	PR11L	PR11	R/W	√	√	√	FFFFH
FFFEFH	Priority specification flag register 11H	PR11H		R/W	√	√		
FFFF0H	Multiply and accumulation register (L)	MACRL		R/W	-	-	√	0000H
FFFF1H								
FFFF2H	Multiply and accumulation register (H)	MACRH		R/W	-	-	√	0000H
FFFF3H								
FFFFEH	Processor mode control register	PMC		R/W	√	√	-	00H

Remark For extended SFRs (2nd SFRs), see **Table 3-6 Extended SFR (2nd SFR) List**.

3.2.5 Extended special function registers (2nd SFRs: 2nd Special Function Registers)

Unlike a general-purpose register, each extended SFR (2nd SFR) has a special function.

Extended SFRs are allocated to the F0000H to F07FFH area. SFRs other than those in the SFR area (FFF00H to FFFFFH) are allocated to this area. An instruction that accesses the extended SFR area, however, is 1 byte longer than an instruction that accesses the SFR area.

Extended SFRs can be manipulated like general-purpose registers, using operation, transfer, and bit manipulation instructions. The manipulable bit units, 1, 8, and 16, depend on the SFR type.

Each manipulation bit unit can be specified as follows.

- 1-bit manipulation
Describe the symbol reserved by the assembler for the 1-bit manipulation instruction operand (laddr16.bit). This manipulation can also be specified with an address.
- 8-bit manipulation
Describe the symbol reserved by the assembler for the 8-bit manipulation instruction operand (laddr16). This manipulation can also be specified with an address.
- 16-bit manipulation
Describe the symbol reserved by the assembler for the 16-bit manipulation instruction operand (laddr16s). When specifying an address, describe an even address.

Table 3-6 gives a list of the extended SFRs. The meanings of items in the table are as follows.

- Symbol
This item indicates the address of an extended SFR. It is a reserved word in the assembler, and is defined as an sfr variable using the #pragma sfr directive in the compiler. When using the assembler, debugger, and simulator, symbols can be written as an instruction operand.
- R/W
This item indicates whether the corresponding extended SFR can be read or written.
R/W: Read/write enable
R: Read only
W: Write only
- Manipulable bit units
“√” indicates the manipulable bit unit (1, 8, or 16). “–” indicates a bit unit for which manipulation is not possible.
- After reset
This item indicates each register status upon reset signal generation.

Caution Do not access addresses to which extended SFRs are not assigned.

Remark For SFRs in the SFR area, see 3.2.4 Special function registers (SFRs).

Table 3-6. Extended SFR (2nd SFR) List (1/52)

Address	Special Function Register (2nd SFR) Name	Symbol	R/W	Manipulable Bit Range			After reset
				1-bit	8-bit	16-bit	
F0010H	A/D converter mode register 2	ADM2	R/W	√	√	–	00H
F0011H	Conversion result comparison upper limit setting register	ADUL	R/W	–	√	–	FFH
F0012H	Conversion result comparison lower limit setting register	ADLL	R/W	–	√	–	00H
F0013H	A/D test register	ADTES	R/W	–	√	–	00H
F0014H	Peripheral I/O redirection register 10	PIOR10	R/W	–	√	–	00H
F0015H	Peripheral I/O redirection register 11	PIOR11	R/W	–	√	–	00H
F0016H	Peripheral I/O redirection register 0	PIOR0	R/W	–	√	–	00H
F0017H	Peripheral I/O redirection register 1	PIOR1	R/W	–	√	–	00H
F0018H	Peripheral I/O redirection register 2	PIOR2	R/W	–	√	–	00H
F0019H	Peripheral I/O redirection register 3	PIOR3	R/W	–	√	–	00H
F001AH	Peripheral I/O redirection register 4	PIOR4	R/W	–	√	–	00H
F001BH	Peripheral I/O redirection register 5	PIOR5	R/W	–	√	–	00H
F001CH	Peripheral I/O redirection register 6	PIOR6	R/W	–	√	–	00H
F001DH	Peripheral I/O redirection register 7	PIOR7	R/W	–	√	–	00H
F001EH	Peripheral I/O redirection register 8	PIOR8	R/W	–	√	–	00H
F001FH	Peripheral I/O redirection register 9	PIOR9	R/W	–	√	–	00H
F0020H	Port input threshold control register 0	PITHL0	R/W	√	√	–	00H
F0021H	Port input threshold control register 1	PITHL1	R/W	√	√	–	00H
F0022H	Port input threshold control register 2	PITHL2	R/W	√	√	–	00H
F0023H	Port input threshold control register 3	PITHL3	R/W	√	√	–	00H
F0024H	Port input threshold control register 4	PITHL4	R/W	√	√	–	00H
F0025H	Port input threshold control register 5	PITHL5	R/W	√	√	–	00H
F0026H	Port input threshold control register 6	PITHL6	R/W	√	√	–	00H
F0027H	Port input threshold control register 7	PITHL7	R/W	√	√	–	00H
F002AH	Port input threshold control register 10	PITHL10	R/W	√	√	–	00H
F002CH	Port input threshold control register 12	PITHL12	R/W	√	√	–	00H
F002FH	Port input threshold control register 15	PITHL15	R/W	√	√	–	00H
F0030H	Pull-up resistor option register 0	PU0	R/W	√	√	–	00H
F0031H	Pull-up resistor option register 1	PU1	R/W	√	√	–	00H
F0032H	Pull-up resistor option register 2	PU2	R/W	√	√	–	00H
F0033H	Pull-up resistor option register 3	PU3	R/W	√	√	–	00H
F0034H	Pull-up resistor option register 4	PU4	R/W	√	√	–	01H
F0035H	Pull-up resistor option register 5	PU5	R/W	√	√	–	00H
F0036H	Pull-up resistor option register 6	PU6	R/W	√	√	–	00H
F0037H	Pull-up resistor option register 7	PU7	R/W	√	√	–	00H
F003AH	Pull-up resistor option register 10	PU10	R/W	√	√	–	00H
F003BH	Pull-up resistor option register 11	PU11	R/W	√	√	–	00H
F003CH	Pull-up resistor option register 12	PU12	R/W	√	√	–	00H
F003DH	Pull-up resistor option register 13	PU13	R/W	√	√	–	00H

Table 3-6. Extended SFR (2nd SFR) List (2/52)

Address	Special Function Register (2nd SFR) Name	Symbol	R/W	Manipulable Bit Range			After reset
				1-bit	8-bit	16-bit	
F003EH	Pull-up resistor option register 14	PU14	R/W	√	√	–	00H
F003FH	Pull-up resistor option register 15	PU15	R/W	√	√	–	00H
F0041H	Port input mode register 1	PIM1	R/W	√	√	–	00H
F0043H	Port input mode register 3	PIM3	R/W	√	√	–	00H
F0045H	Port input mode register 5	PIM5	R/W	√	√	–	00H
F0046H	Port input mode register 6	PIM6	R/W	√	√	–	00H
F0047H	Port input mode register 7	PIM7	R/W	√	√	–	00H
F004CH	Port input mode register 12	PIM12	R/W	√	√	–	00H
F0051H	Port output mode register 1	POM1	R/W	√	√	–	00H
F0056H	Port output mode register 6	POM6	R/W	√	√	–	00H
F0057H	Port output mode register 7	POM7	R/W	√	√	–	00H
F005CH	Port output mode register 12	POM12	R/W	√	√	–	00H
F0067H	Port mode control register 7	PMC7	R/W	√	√	–	FFH
F006CH	Port mode control register 12	PMC12	R/W	√	√	–	FFH
F0070H	Noise filter enable register 0	NFEN0	R/W	√	√	–	00H
F0071H	Noise filter enable register 1	NFEN1	R/W	√	√	–	00H
F0072H	Noise filter enable register 2	NFEN2	R/W	√	√	–	00H
F0073H	Input switch control register	ISC	R/W	√	√	–	00H
F0074H	Timer input select register 0	TIS0	R/W	–	√	–	00H
F0075H	Timer input select register 1	TIS1	R/W	–	√	–	00H
F0076H	A/D port configuration register	ADPC	R/W	–	√	–	00H
F0077H	Port mode select register	PMS	R/W	√	√	–	00H
F0078H	Invalid memory access detection control register	IAWCTL	R/W	–	√	–	00H
F0079H	Interrupt source determination flag register 0	INTFLG0	R/W	–	√	–	00H
F007AH	Timer input select register 2	TIS2	R/W	–	√	–	00H
F007BH	LIN channel select register	LCHSEL	R/W	–	√	–	00H
F007CH	Interrupt mask register	INTMSK	R/W	–	√	–	FFH
F007DH	Interrupt source determination flag register 1	INTFLG1	R/W	–	√	–	00H
F0090H	Data flash control register	DFLCTL	R/W	√	√	–	00H
F00A0H	High-speed on-chip oscillator trimming register	HIOTRM	R/W	–	√	–	Note
F00A8H	High-speed on-chip oscillator frequency select register	HOCODIV	R/W	–	√	–	Undefined
F00D8H	SPM control register	SPMCTRL	R/W	–	√	–	00H
F00DAH	SP overflow address setting register	SPOFR	R/W	–	–	√	FFFEH
F00DBH							
F00DCH							
F00DDH	SP underflow address setting register	SPUFR	R/W	–	–	√	0000H
F00F0H	Peripheral enable register 0	PER0	R/W	√	√	–	00H
F00F3H	Operation speed mode control register	OSMC	R/W	–	√	–	00H
F00FEH	BCD correction result register	BCDADJ	R	–	√	–	Undefined

Note The reset value differs for each chip.

Table 3-6. Extended SFR (2nd SFR) List (3/52)

Address	Special Function Register (2nd SFR) Name	Symbol		R/W	Manipulable Bit Range			After reset
					1-bit	8-bit	16-bit	
F0100H	Serial status register 00	SSR00L	SSR00	R	–	√	√	0000H
F0101H		–			–			
F0102H	Serial status register 01	SSR01L	SSR01	R	–	√	√	0000H
F0103H		–			–			
F0104H	Serial flag clear trigger register 00	SIR00L	SIR00	R/W	–	√	√	0000H
F0105H		–			–			
F0106H	Serial flag clear trigger register 01	SIR01L	SIR01	R/W	–	√	√	0000H
F0107H		–			–			
F0108H	Serial mode register 00	SMR00		R/W	–	–	√	0020H
F0109H								
F010AH	Serial mode register 01	SMR01		R/W	–	–	√	0020H
F010BH								
F010CH	Serial communication operation setting register 00	SCR00		R/W	–	–	√	0087H
F010DH								
F010EH	Serial communication operation setting register 01	SCR01		R/W	–	–	√	0087H
F010FH								
F0110H	Serial channel enable status register	SE0L	SE0	R	√	√	√	0000H
F0111H		–			–			
F0112H	Serial channel start register 0	SS0L	SS0	R/W	√	√	√	0000H
F0113H		–			–			
F0114H	Serial channel stop register 0	ST0L	ST0	R/W	√	√	√	0000H
F0115H		–			–			
F0116H	Serial clock select register 0	SPS0L	SPS0	R/W	–	√	√	0000H
F0117H		–			–			
F0118H	Serial output register 0	SO0		R/W	–	–	√	0303H
F0119H								
F011AH	Serial output enable register 0	SOE0L	SOE0	R/W	√	√	√	0000H
F011BH		–			–			
F0120H	Serial output level register 0	SOL0L	SOL0	R/W	–	√	√	0000H
F0121H		–			–			
F0122H	Serial slave select enable register 0	SSE0L	SSE0	R/W	–	√	√	0000H
F0123H		–			–			
F0140H	Serial status register 10 ^{Note1}	SSR10L	SSR10	R	–	√	√	0000H
F0141H		–			–			
F0140H	Serial status register 20 ^{Note2}	SSR20L	SSR20	R	–	√	√	0000H
F0141H		–			–			

Notes 1. Accessible when SSELO bit of UTSEL register is 0.

2. Accessible when SSELO bit of UTSEL register is 1.

Table 3-6. Extended SFR (2nd SFR) List (4/52)

Address	Special Function Register (2nd SFR) Name	Symbol		R/W	Manipulable Bit Range			After reset
					1-bit	8-bit	16-bit	
F0142H	Serial status register 11 ^{Note1}	SSR11L	SSR11	R	–	√	√	0000H
F0143H		–			–	–		
F0142H	Serial status register 21 ^{Note2}	SSR21L	SSR21	R	–	√	√	0000H
F0143H		–			–	–		
F0144H	Serial flag clear trigger register 10 ^{Note1}	SIR10L	SIR10	R/W	–	√	√	0000H
F0145H		–			–	–		
F0146H	Serial flag clear trigger register 11 ^{Note1}	SIR11L	SIR11	R/W	–	√	√	0000H
F0147H		–			–	–		
F0148H	Serial mode register 10 ^{Note1}	SMR10		R/W	–	–	√	0020H
F0149H					–	–	–	
F0148H	Serial flag clear trigger register 20 ^{Note2}	SIR20L	SIR20	R/W	–	√	√	0000H
F0149H		–			–	–		
F014AH	Serial mode register 11 ^{Note1}	SMR11		R/W	–	–	√	0020H
F014BH					–	–	–	
F014AH	Serial flag clear trigger register 21 ^{Note2}	SIR21L	SIR21		–	√	√	0000H
F014BH		–			–	–		
F014CH	Serial communication operation setting register 10 ^{Note1}	SCR10		R/W	–	–	√	0087H
F014DH					–	–	–	
F014EH	Serial communication operation setting register 11 ^{Note1}	SCR11		R/W	–	–	√	0087H
F014FH					–	–	–	
F0150H	Serial channel enable status register 1 ^{Note1}	SE1L	SE1	R	√	√	√	0000H
F0151H		–			–	–		
F0150H	Serial mode register 20 ^{Note2}	SMR20		R/W	–	–	√	0020H
F0151H					–	–	–	
F0152H	Serial channel start register 1 ^{Note1}	SS1L	SS1	R/W	√	√	√	0000H
F0153H		–			–	–		
F0152H	Serial mode register 21 ^{Note2}	SMR21		R/W	–	–	√	0020H
F0153H					–	–	–	
F0154H	Serial channel stop register 1 ^{Note1}	ST1L	ST1	R/W	√	√	√	0000H
F0155H		–			–	–		
F0156H	Serial clock select register 1 ^{Note1}	SPS1L	SPS1	R/W	–	√	√	0000H
F0157H		–			–	–		
F0158H	Serial output register 1 ^{Note1}	SO1		R/W	–	–	√	0303H
F0159H					–	–	–	
F0158H	Serial communication operation setting register 20 ^{Note2}	SCR20		R/W	–	–	√	0087H
F0159H					–	–	–	
F015AH	Serial output enable register 1 ^{Note1}	SOE1L	SOE1	R/W	√	√	√	0000H
F015BH		–			–	–		
F015AH	Serial communication operation setting register 21 ^{Note2}	SCR21		R/W	–	–	√	0087H
F015BH					–	–	–	

Notes 1. Accessible when SSEL0 bit of UTSEL register is 0.

2. Accessible when SSEL0 bit of UTSEL register is 1.

Table 3-6. Extended SFR (2nd SFR) List (5/52)

Address	Special Function Register (2nd SFR) Name	Symbol		R/W	Manipulable Bit Range			After reset
					1-bit	8-bit	16-bit	
F0160H	Serial output level register 1 ^{Note1}	SOL1L	SOL1	R/W	–	√	√	0000H
F0161H		–			–			
F0160H	Serial channel enable status register 2 ^{Note2}	SE2L	SE2	R	√	√	√	0000H
F0161H		–			–			
F0162H	Serial slave select enable register 1 ^{Note1}	SSE1L	SSE1	R/W	–	√	√	0000H
F0163H		–			–			
F0162H	Serial channel start register 2 ^{Note2}	SS2L	SS2	R/W	√	√	√	0000H
F0163H		–			–			
F0164H	Serial channel stop register 2 ^{Note2}	ST2L	ST2	R/W	√	√	√	0000H
F0165H		–			–			
F0166H	Serial clock select register 2 ^{Note2}	SPS2L	SPS2	R/W	–	√	√	0000H
F0167H		–			–			
F0168H	Serial output register 2 ^{Note2}	SO2		R/W	–	–	√	0303H
F0169H								
F016AH	Serial output enable register 2 ^{Note2}	SOE2L	SOE2	R/W	√	√	√	0000H
F016BH		–			–			
F0174H	Serial output level register 2 ^{Note2}	SOL2L	SOL2	R/W	–	√	√	0000H
F0175H		–			–			
F0178H	Serial standby control register 2 ^{Note2}	SSC2L	SSC2	R/W	–	√	√	0000H
F0179H		–			–			
F0180H	Timer counter register 00	TCR00		R	–	–	√	FFFFH
F0181H								
F0182H	Timer counter register 01	TCR01		R	–	–	√	FFFFH
F0183H								
F0184H	Timer counter register 02	TCR02		R	–	–	√	FFFFH
F0185H								
F0186H	Timer counter register 03	TCR03		R	–	–	√	FFFFH
F0187H								
F0188H	Timer counter register 04	TCR04		R	–	–	√	FFFFH
F0189H								
F018AH	Timer counter register 05	TCR05		R	–	–	√	FFFFH
F018BH								
F018CH	Timer counter register 06	TCR06		R	–	–	√	FFFFH
F018DH								
F018EH	Timer counter register 07	TCR07		R	–	–	√	FFFFH
F018FH								
F0190H	Timer mode register 00	TMR00		R/W	–	–	√	0000H
F0191H								
F0192H	Timer mode register 01	TMR01		R/W	–	–	√	0000H
F0193H								

- Notes**
1. Accessible when SSEL0 bit of UTSEL register is 0.
 2. Accessible when SSEL0 bit of UTSEL register is 1.

Table 3-6. Extended SFR (2nd SFR) List (6/52)

Address	Special Function Register (2nd SFR) Name	Symbol		R/W	Manipulable Bit Range			After reset
					1-bit	8-bit	16-bit	
F0194H	Timer mode register 02	TMR02		R/W	–	–	√	0000H
F0195H								
F0196H	Timer mode register 03	TMR03		R/W	–	–	√	0000H
F0197H								
F0198H	Timer mode register 04	TMR04		R/W	–	–	√	0000H
F0199H								
F019AH	Timer mode register 05	TMR05		R/W	–	–	√	0000H
F019BH								
F019CH	Timer mode register 06	TMR06		R/W	–	–	√	0000H
F019DH								
F019EH	Timer mode register 07	TMR07		R/W	–	–	√	0000H
F019FH								
F01A0H	Timer status register 00	TSR00L	TSR00	R	–	√	√	0000H
F01A1H		–			–			
F01A2H	Timer status register 01	TSR01L	TSR01	R	–	√	√	0000H
F01A3H		–			–			
F01A4H	Timer status register 02	TSR02L	TSR02	R	–	√	√	0000H
F01A5H		–			–			
F01A6H	Timer status register 03	TSR03L	TSR03	R	–	√	√	0000H
F01A7H		–			–			
F01A8H	Timer status register 04	TSR04L	TSR04	R	–	√	√	0000H
F01A9H		–			–			
F01AAH	Timer status register 05	TSR05L	TSR05	R	–	√	√	0000H
F01ABH		–			–			
F01ACH	Timer status register 06	TSR06L	TSR06	R	–	√	√	0000H
F01ADH		–			–			
F01AEH	Timer status register 07	TSR07L	TSR07	R	–	√	√	0000H
F01AFH		–			–			
F01B0H	Timer channel enable status register 0	TE0L	TE0	R	√	√	√	0000H
F01B1H		–			–			
F01B2H	Timer channel start register 0	TS0L	TS0	R/W	√	√	√	0000H
F01B3H		–			–			
F01B4H	Timer channel stop register 0	TT0L	TT0	R/W	√	√	√	0000H
F01B5H		–			–			
F01B6H	Timer clock select register 0	TPS0		R/W	–	–	√	0000H
F01B7H								
F01B8H	Timer output register 0	TO0L	TO0	R/W	–	√	√	0000H
F01B9H		–			–			
F01BAH	Timer output enable register 0	TOE0L	TOE0	R/W	√	√	√	0000H
F01BBH		–			–			
F01BCH	Timer output level register 0	TOL0L	TOL0	R/W	–	√	√	0000H
F01BDH		–			–			

Table 3-6. Extended SFR (2nd SFR) List (7/52)

Address	Special Function Register (2nd SFR) Name	Symbol		R/W	Manipulable Bit Range			After reset
					1-bit	8-bit	16-bit	
F01BEH	Timer output mode register 0	TOM0L	TOM0	R/W	–	√	√	0000H
F01BFH		–			–			
F01C0H	Timer counter register 10 ^{Note1}	TCR10		R	–	–	√	FFFFH
F01C1H								
F01C0H	Timer counter register 20 ^{Note2}	TCR20		R	–	–	√	FFFFH
F01C1H								
F01C2H	Timer counter register 11 ^{Note1}	TCR11		R	–	–	√	FFFFH
F01C3H								
F01C2H	Timer counter register 21 ^{Note2}	TCR21		R	–	–	√	FFFFH
F01C3H								
F01C4H	Timer counter register 12 ^{Note1}	TCR12		R	–	–	√	FFFFH
F01C5H								
F01C4H	Timer counter register 22 ^{Note2}	TCR22		R	–	–	√	FFFFH
F01C5H								
F01C6H	Timer counter register 13 ^{Note1}	TCR13		R	–	–	√	FFFFH
F01C7H								
F01C6H	Timer counter register 23 ^{Note2}	TCR23		R	–	–	√	FFFFH
F01C7H								
F01C8H	Timer counter register 14 ^{Note1}	TCR14		R	–	–	√	FFFFH
F01C9H								
F01C8H	Timer counter register 24 ^{Note2}	TCR24		R	–	–	√	FFFFH
F01C9H								
F01CAH	Timer counter register 15 ^{Note1}	TCR15		R	–	–	√	FFFFH
F01CBH								
F01CAH	Timer counter register 25 ^{Note2}	TCR25		R	–	–	√	FFFFH
F01CBH								
F01CCH	Timer counter register 16 ^{Note1}	TCR16		R	–	–	√	FFFFH
F01CDH								
F01CCH	Timer counter register 26 ^{Note2}	TCR26		R	–	–	√	FFFFH
F01CDH								
F01CEH	Timer counter register 17 ^{Note1}	TCR17		R	–	–	√	FFFFH
F01CFH								
F01CEH	Timer counter register 27 ^{Note2}	TCR27		R	–	–	√	FFFFH
F01CFH								
F01D0H	Timer mode register 10 ^{Note1}	TMR10		R/W	–	–	√	0000H
F01D1H								
F01D0H	Timer mode register 20 ^{Note2}	TMR20		R/W	–	–	√	0000H
F01D1H								
F01D2H	Timer mode register 11 ^{Note1}	TMR11		R/W	–	–	√	0000H
F01D3H								

- Notes 1.** Accessible when TSEL0 bit of UTSEL register is 0.
2. Accessible when TSEL0 bit of UTSEL register is 1.

Table 3-6. Extended SFR (2nd SFR) List (8/52)

Address	Special Function Register (2nd SFR) Name	Symbol		R/W	Manipulable Bit Range			After reset
					1-bit	8-bit	16-bit	
F01D2H	Timer mode register 21 ^{Note2}	TMR21		R/W	–	–	√	0000H
F01D3H								
F01D4H	Timer mode register 12 ^{Note1}	TMR12		R/W	–	–	√	0000H
F01D5H								
F01D4H	Timer mode register 22 ^{Note2}	TMR22		R/W	–	–	√	0000H
F01D5H								
F01D6H	Timer mode register 13 ^{Note1}	TMR13		R/W	–	–	√	0000H
F01D7H								
F01D6H	Timer mode register 23 ^{Note2}	TMR23		R/W	–	–	√	0000H
F01D7H								
F01D8H	Timer mode register 14 ^{Note1}	TMR14		R/W	–	–	√	0000H
F01D9H								
F01D8H	Timer mode register 24 ^{Note2}	TMR24		R/W	–	–	√	0000H
F01D9H								
F01DAH	Timer mode register 15 ^{Note1}	TMR15		R/W	–	–	√	0000H
F01DBH								
F01DAH	Timer mode register 25 ^{Note2}	TMR25		R/W	–	–	√	0000H
F01DBH								
F01DCH	Timer mode register 16 ^{Note1}	TMR16		R/W	–	–	√	0000H
F01DDH								
F01DCH	Timer mode register 26 ^{Note2}	TMR26		R/W	–	–	√	0000H
F01DDH								
F01DEH	Timer mode register 17 ^{Note1}	TMR17		R/W	–	–	√	0000H
F01DFH								
F01DEH	Timer mode register 27 ^{Note2}	TMR27		R/W	–	–	√	0000H
F01DFH								
F01E0H	Timer status register 10 ^{Note1}	TSR10L	TSR10	R	–	√	√	0000H
F01E1H		–			–			
F01E0H	Timer status register 20 ^{Note2}	TSR20L	TSR20	R	–	√	√	0000H
F01E1H		–			–			
F01E2H	Timer status register 11 ^{Note1}	TSR11L	TSR11	R	–	√	√	0000H
F01E3H		–			–			
F01E2H	Timer status register 21 ^{Note2}	TSR21L	TSR21	R	–	√	√	0000H
F01E3H		–			–			
F01E4H	Timer status register 12 ^{Note1}	TSR12L	TSR12	R	–	√	√	0000H
F01E5H		–			–			
F01E4H	Timer status register 22 ^{Note2}	TSR22L	TSR22	R	–	√	√	0000H
F01E5H		–			–			
F01E6H	Timer status register 13 ^{Note1}	TSR13L	TSR13	R	–	√	√	0000H
F01E7H		–			–			

- Notes 1.** Accessible when TSEL0 bit of UTSEL register is 0.
2. Accessible when TSEL0 bit of UTSEL register is 1.

Table 3-6. Extended SFR (2nd SFR) List (9/52)

Address	Special Function Register (2nd SFR) Name	Symbol		R/W	Manipulable Bit Range			After reset
					1-bit	8-bit	16-bit	
F01E6H	Timer status register 23 ^{Note2}	TSR23L	TSR23	R	–	√	√	0000H
F01E7H		–			–			
F01E8H	Timer status register 14 ^{Note1}	TSR14L	TSR14	R	–	√	√	0000H
F01E9H		–			–			
F01E8H	Timer status register 24 ^{Note2}	TSR24L	TSR24	R	–	√	√	0000H
F01E9H		–			–			
F01EAH	Timer status register 15 ^{Note1}	TSR15L	TSR15	R	–	√	√	0000H
F01EBH		–			–			
F01EAH	Timer status register 25 ^{Note2}	TSR25L	TSR25	R	–	√	√	0000H
F01EBH		–			–			
F01ECH	Timer status register 16 ^{Note1}	TSR16L	TSR16	R	–	√	√	0000H
F01EDH		–			–			
F01ECH	Timer status register 26 ^{Note2}	TSR26L	TSR26	R	–	√	√	0000H
F01EDH		–			–			
F01EEH	Timer status register 17 ^{Note1}	TSR17L	TSR17	R	–	√	√	0000H
F01EFH		–			–			
F01EEH	Timer status register 27 ^{Note2}	TSR17L	TSR27	R	–	√	√	0000H
F01EFH		–			–			
F01F0H	Timer channel enable status register 1 ^{Note1}	TE1L	TE1	R	√	√	√	0000H
F01F1H		–			–			
F01F0H	Timer channel enable status register 2 ^{Note2}	TE2L	TE2	R	√	√	√	0000H
F01F1H		–			–			
F01F2H	Timer channel start register 1 ^{Note1}	TS1L	TS1	R/W	√	√	√	0000H
F01F3H		–			–			
F01F2H	Timer channel start register 2 ^{Note2}	TS2L	TS2	R/W	√	√	√	0000H
F01F3H		–			–			
F01F4H	Timer channel stop register 1 ^{Note1}	TT1L	TT1	R/W	√	√	√	0000H
F01F5H		–			–			
F01F4H	Timer channel stop register 2 ^{Note2}	TT2L	TT2	R/W	√	√	√	0000H
F01F5H		–			–			
F01F6H	Timer clock select register 1 ^{Note1}	TPS1		R/W	–	–	√	0000H
F01F7H								
F01F6H	Timer clock select register 2 ^{Note2}	TPS2		R/W	–	–	√	0000H
F01F7H								
F01F8H	Timer output register 1 ^{Note1}	TO1L	TO1	R/W	–	√	√	0000H
F01F9H		–			–			
F01F8H	Timer output register 2 ^{Note2}	TO2L	TO2	R/W	–	√	√	0000H
F01F9H		–			–			
F01FAH	Timer output enable register 1 ^{Note1}	TOE1L	TOE1	R/W	√	√	√	0000H
F01FBH		–			–			

Notes 1. Accessible when TSEL0 bit of UTSEL register is 0.

2. Accessible when TSEL0 bit of UTSEL register is 1.

Table 3-6. Extended SFR (2nd SFR) List (10/52)

Address	Special Function Register (2nd SFR) Name	Symbol		R/W	Manipulable Bit Range			After reset
					1-bit	8-bit	16-bit	
F01FAH	Timer output enable register 2 ^{Note2}	TOE2L	TOE2	R/W	√	√	√	0000H
F01FBH		–			–			
F01FCH	Timer output level register 1 ^{Note1}	TOL1L	TOL1	R/W	–	√	√	0000H
F01FDH		–			–			
F01FCH	Timer output level register 2 ^{Note2}	TOL2L	TOL2	R/W	–	√	√	0000H
F01FDH		–			–			
F01FEH	Timer output mode register 1 ^{Note1}	TOM1L	TOM1	R/W	–	√	√	0000H
F01FFH		–			–			
F01FEH	Timer output mode register 2 ^{Note2}	TOM2L	TOM1	R/W	–	√	√	0000H
F01FFH		–			–			
F0200H	Error address storage register	ERADR		R	–	–	√	0000H
F0201H								
F0202H	1-bit error detection interrupt enable register	ECCIER		R/W	–	√	–	00H
F0203H	Bit error detection register	ECCER		R/W	–	√	–	00H
F0204H	ECC test protect register	ECCTPR		R/W	–	√	–	00H
F0205H	ECC test mode register	ECCTMDR		R/W	–	√	–	00H
F0206H	Write data inversion register	ECCDWRVR		R/W	–	–	√	0000H
F0207H								
F0210H	Unit select register	UTSEL		R/W	√	√	–	00H
F0211H	Noise filter enable register 3	NFEN3		R/W	√	√	–	00H
F0212H	Interrupt source determination flag register 2	INTFLG2		R/W	–	√	–	00H
F0213H	Interrupt source determination flag register 3	INTFLG3		R/W	–	√	–	00H
F0214H	Interrupt source determination flag register 4	INTFLG4		R/W	–	√	–	00H
F0220H	Port output slew rate select register	PSRSEL		R/W	√	√	–	00H
F0222H	SNOOZE status output control register 0	PSNZCNT0		R/W	√	√	–	00H
F0223H	SNOOZE status output control register 1	PSNZCNT1		R/W	√	√	–	00H
F0224H	SNOOZE status output control register 2	PSNZCNT2		R/W	√	√	–	00H
F0225H	SNOOZE status output control register 3	PSNZCNT3		R/W	√	√	–	00H
F0227H	D/A converter mode register 2	DAM2		R/W	√	√	–	00H
F0228H	PWM output delay control register 0	PWMDLY0		R/W	–	–	√	0000H
F0229H								
F022AH	PWM output delay control register 1	PWMDLY1		R/W	–	–	√	0000H
F022BH								
F022CH	PWM output delay control register 2	PWMDLY2		R/W	–	–	√	0000H
F022DH								
F022EH	PWM output delay control register 3	PWMDLY3		R/W	–	–	√	0000H
F022FH								

- Notes 1.** Accessible when TSEL0 bit of UTSEL register is 0.
2. Accessible when TSEL0 bit of UTSEL register is 1.

Table 3-6. Extended SFR (2nd SFR) List (11/52)

Address	Special Function Register (2nd SFR) Name	Symbol	R/W	Manipulable Bit Range			After reset
				1-bit	8-bit	16-bit	
F0230H	IICA control register 00	IICCTL00	R/W	√	√	–	00H
F0231H	IICA control register 01	IICCTL01	R/W	√	√	–	00H
F0232H	IICA low-level width setting register 0	IICWLO	R/W	–	√	–	FFH
F0233H	IICA high-level width setting register 1	IICWHO	R/W	–	√	–	FFH
F0234H	Slave address register 0	SVA0	R/W	–	√	–	00H
F0240H	Timer RJ control register 0	TRJCR0	R/W	–	√	–	00H
F0241H	Timer RJ I/O control register 0	TRJIOC0	R/W	√	√	–	00H
F0242H	Timer RJ mode register 0	TRJMR0	R/W	√	√	–	00H
F0243H	Timer RJ event pin select register 0	TRJISR0	R/W	√	√	–	00H
F0260H	Timer RD ELC register	TRDEL	R/W	√	√	–	00H ^{Note}
F0263H	Timer RD start register	TRDSTR	R/W	–	√	–	0CH ^{Note}
F0264H	Timer RD mode register	TRDMR	R/W	√	√	–	00H ^{Note}
F0265H	Timer RD PWM function select register	TRDPMR	R/W	√	√	–	00H ^{Note}
F0266H	Timer RD function control register	TRDFCR	R/W	√	√	–	80H ^{Note}
F0267H	Timer RD output master enable register 1	TRDOER1	R/W	√	√	–	FFH ^{Note}
F0268H	Timer RD output master enable register 2	TRDOER2	R/W	√	√	–	00H ^{Note}
F0269H	Timer RD output control register	TRDOCR	R/W	√	√	–	00H ^{Note}
F026AH	Timer RD digital filter function select register 0	TRDDF0	R/W	√	√	–	00H ^{Note}
F026BH	Timer RD digital filter function select register 1	TRDDF1	R/W	√	√	–	00H ^{Note}
F0270H	Timer RD control register 0	TRDCR0	R/W	√	√	–	00H ^{Note}
F0271H	Timer RD I/O control register A0	TRDIORA0	R/W	√	√	–	00H ^{Note}
F0272H	Timer RD I/O control register C0	TRDIORC0	R/W	√	√	–	88H ^{Note}
F0273H	Timer RD status register 0	TRDSR0	R/W	√	√	–	00H ^{Note}
F0274H	Timer RD interrupt enable register 0	TRDIER0	R/W	√	√	–	00H ^{Note}
F0275H	Timer RD PWM function output level control register 0	TRDPOCR0	R/W	√	√	–	00H ^{Note}
F0276H	Timer RD counter 0	TRD0	R/W	–	–	√	0000H ^{Note}
F0277H							
F0278H	Timer RD general register A0	TRDGRA0	R/W	–	–	√	FFFFH ^{Note}
F0279H							
F027AH	Timer RD general register B0	TRDGRB0	R/W	–	–	√	FFFFH ^{Note}
F027BH							
F0280H	Timer RD control register 1	TRDCR1	R/W	√	√	–	00H ^{Note}
F0281H	Timer RD I/O control register A1	TRDIORA1	R/W	√	√	–	00H ^{Note}
F0282H	Timer RD I/O control register C1	TRDIORC1	R/W	√	√	–	88H ^{Note}
F0283H	Timer RD status register 1	TRDSR1	R/W	√	√	–	00H ^{Note}
F0284H	Timer RD interrupt enable register 1	TRDIER1	R/W	√	√	–	00H ^{Note}
F0285H	Timer RD PWM function output level control register 1	TRDPOCR1	R/W	√	√	–	00H ^{Note}

Note The timer RD SFRs are undefined when FRQSEL4 = 1 in the user option byte (000C2H/020C2H) and TRD0EN = 0 in the PER1 register. If it is necessary to read the initial value, set f_{CLK} to f_{IH} and TRD0EN = 1 before reading.

Table 3-6. Extended SFR (2nd SFR) List (12/52)

Address	Special Function Register (2nd SFR) Name	Symbol	R/W	Manipulable Bit Range			After reset
				1-bit	8-bit	16-bit	
F0286H	Timer RD counter 1	TRD1	R/W	–	–	√	0000H
F0287H							
F0288H	Timer RD general register A1	TRDGRA1	R/W	–	–	√	FFFFH
F0289H							
F028AH	Timer RD general register B1	TRDGRB1	R/W	–	–	√	FFFFH
F028BH							
F02A0H	Comparator control register	CMPCTL	R/W	√	√	–	00H
F02A1H	Comparator I/O switch register	CMPSEL	R/W	√	√	–	00H
F02A2H	Comparator output monitor register	CMPMON	R	√	√	–	00H
F02C0H	Peripheral enable register 1	PER1	R/W	√	√	–	00H
F02C1H	Peripheral enable register 2	PER2	R/W	√	√	–	00H
F02C2H	CAN clock select register	CANCKSEL	R/W	√	√	–	00H
F02C3H	LIN clock select register	LINCKSEL	R/W	√	√	–	00H
F02C4H	Clock select register	CKSEL	R/W	√	√	–	00H
F02C5H	PLL control register	PLLCTL	R/W	√	√	–	00H
F02C6H	PLL status register	PLLSTS	R	–	√	–	00H
F02C7H	f _{MP} clock division register	MDIV	R/W	–	√	–	00H
F02C8H	RTC clock select register	RTCCL	R/W	√	√	–	00H
F02C9H	POR/CLM reset confirmation register	POCRES	R/W	√	√	–	Note2
F02CAH	STOP status output control register	STPSTC	R/W	√	√	–	00H
F02D0H	High-speed DTC control register 0	HDTCCR0	R/W	√	√	–	00H
F02D2H	High-speed DTC transfer number register 0	HDTCT0	R/W	√	√	–	00H
F02D3H	High-speed DTC transfer number reload register 0	HDTRL0	R/W	√	√	–	00H
F02D4H	High-speed DTC source address register 0	HDTSAR0	R/W	–	–	√	0000H
F02D5H							
F02D6H	High-speed DTC destination address register 0	HDTDAR0	R/W	–	–	√	0000H
F02D7H							
F02D8H	High-speed DTC control register 1	HDTCCR1	R/W	√	√	–	00H
F02DAH	High-speed DTC transfer number register 1	HDTCT1	R/W	√	√	–	00H
F02DBH	High-speed DTC transfer number reload register 1	HDTRL1	R/W	√	√	–	00H
F02DCH	High-speed DTC source address register 1	HDTSAR1	R/W	–	–	√	0000H
F02DDH							
F02DEH	High-speed DTC destination address register 1	HDTDAR1	R/W	–	–	√	0000H
F02DFH							
F02E0H	DTC base address register	DTCBAR	R/W	–	√	–	FDH
F02E1H	High-speed DTC channel select register 0	SELHS0	R/W	√	√	–	3FH
F02E2H	High-speed DTC channel select register 1	SELHS1	R/W	√	√	–	3FH
F02E8H	DTC activation enable register 0	DTCEN0	R/W	√	√	–	00H
F02E9H	DTC activation enable register 1	DTCEN1	R/W	√	√	–	00H
F02EAH	DTC activation enable register 2	DTCEN2	R/W	√	√	–	00H
F02EBH	DTC activation enable register 3	DTCEN3	R/W	√	√	–	00H
F02ECH	DTC activation enable register 4	DTCEN4	R/W	√	√	–	00H

Notes 1 The timer RD SFRs are undefined when FRQSEL4 = 1 in the user option byte (000C2H/020C2H) and TRD0EN = 0 in the PER1 register. If it is necessary to read the initial value, set f_{CLK} to f_{IH} and TRD0EN = 1 before reading.

2 When a reset source other than POR occurs, bit 0 (the POCRES0 bit) retains a value right before reset.

Table 3-6. Extended SFR (2nd SFR) List (13/52)

Address	Special Function Register (2nd SFR) Name	Symbol		R/W	Manipulable Bit Range			After reset
					1-bit	8-bit	16-bit	
F02EDH	DTC activation enable register 5	DTCEN5		R/W	√	√	–	00H
F02EEH	DTC activation enable register 6	DTCEN6		R/W	√	√	–	00H
F02F0H	Flash memory CRC control register	CRC0CTL		R/W	√	√	–	00H
F02F2H	Flash memory CRC operation result register	PGCRCL		R/W	–	–	√	0000H
F02F3H								
F02F9H	CRC operation mode control register	CRCMD		R/W	–	√	–	00H
F02FAH	CRC data register	CRCD		R/W	–	–	√	0000H
F02FBH								
F02FEH	Pull-up resistor option register 16	PU16		R/W	√	√	–	00H
F0300H	CAN0 bit configuration register L	C0CFGLL	C0CFGL	R/W	–	√	√	0000H
F0301H		C0CFGLH						
F0302H	CAN0 bit configuration register H	C0CFGHL	C0CFGH	R/W	–	√	√	0000H
F0303H		C0CFGHH						
F0304H	CAN0 control register L	C0CTRLL	C0CTRL	R/W	–	√	√	0005H <i>Note</i>
F0305H		C0CTRLH						
F0306H	CAN0 control register H	C0CTRHL	C0CTRH	R/W	–	√	√	0000H
F0307H		C0CTRHH						
F0308H	CAN0 status register L	C0STSLL	C0STSL	R	–	√	√	0005H <i>Note</i>
F0309H		C0STSLH						
F030AH	CAN0 status register H	C0STSHL	C0STSH	R	–	√	√	0000H
F030BH		C0STSHH						
F030CH	CAN0 error flag register L	C0ERFLLL	C0ERFLL	R/W	–	√	√	0000H
F030DH		C0ERFLLH						
F030EH	CAN0 error flag register H	C0ERFLHL	C0ERFLH	R	–	√	√	0000H
F030FH		C0ERFLHH						
F0310H	CAN1 bit configuration register L	C1CFGLL	C1CFGL	R/W	–	√	√	0000H
F0311H		C1CFGLH						
F0312H	CAN1 bit configuration register H	C1CFGHL	C1CFGH	R/W	–	√	√	0000H
F0313H		C1CFGHH						
F0314H	CAN1 control register L	C1CTRLL	C1CTRL	R/W	–	√	√	0005H <i>Note</i>
F0315H		C1CTRLH						
F0316H	CAN1 control register H	C1CTRHL	C1CTRH	R/W	–	√	√	0000H
F0317H		C1CTRHH						
F0318H	CAN1 status register L	C1STSLL	C1STSL	R	–	√	√	0005H <i>Note</i>
F0319H		C1STSLH						
F031AH	CAN1 status register H	C1STSHL	C1STSH	R	–	√	√	0000H
F031BH		C1STSHH						
F031CH	CAN1 error flag register L	C1ERFLLL	C1ERFLL	R/W	–	√	√	0000H
F031DH		C1ERFLLH						
F031EH	CAN1 error flag register H	C1ERFLHL	C1ERFLH	R	–	√	√	0000H
F031FH		C1ERFLHH						
F0322H	CAN global configuration register L	GCFGLL	GCFGL	R/W	–	√	√	0000H
F0323H		GCFGLH						

Note When the CAN0EN bit in the PER2 register is 0, the read value is undefined.

When the CAN0EN bit in the PER2 register is 1, the read value is the initial value listed above.

Table 3-6. Extended SFR (2nd SFR) List (14/52)

Address	Special Function Register (2nd SFR) Name	Symbol		R/W	Manipulable Bit Range			After reset
					1-bit	8-bit	16-bit	
F0324H	CAN global configuration register H	GCFGHL	GCFGH	R/W	–	√	√	0000H
F0325H		GCFGHH			–	√		
F0326H	CAN global control register L	GCTRL	GCTRL	R/W	–	√	√	0005H ^{Note}
F0327H		GCTRLH			–	√		
F0328H	CAN global control register H	GCTRHL	GCTRH	R/W	–	√	√	0000H
F0329H		GCTRHH			–	√		
F032AH	CAN global status register	GSTSL	GSTS	R	–	√	√	000DH ^{Note}
F032BH		GSTSH			–	√		
F032CH	CAN global error flag register	GERFLL	GERFL	R/W	–	√	–	00H
F032EH	CAN timestamp register	GTSC		R	–	–	√	0000H
F032FH					–	–		
F0330H	CAN receive rule number configuration register	GAFLCFGL	GAFLCFG	R/W	–	√	√	0000H
F0331H		GAFLCFGH			–	√		
F0332H	CAN receive buffer number configuration register	RMNBL	RMNB	R/W	–	√	√	0000H
F0333H		–			–	–		
F0334H	CAN receive buffer receive complete flag register 0	RMND0L	RMND0	R/W	–	√	√	0000H
F0335H		RMND0H			–	√		
F0336H	CAN receive buffer receive complete flag register 1	RMND1L	RMND1	R/W	–	√	√	0000H
F0337H		RMND1H			–	√		
F0338H	CAN receive FIFO control register 0	RFCC0L	RFCC0	R/W	–	√	√	0000H
F0339H		RFCC0H			–	√		
F033AH	CAN receive FIFO control register 1	RFCC1L	RFCC1	R/W	–	√	√	0000H
F033BH		RFCC1H			–	√		
F033CH	CAN receive FIFO control register 2	RFCC2L	RFCC2	R/W	–	√	√	0000H
F033DH		RFCC2H			–	√		
F033EH	CAN receive FIFO control register 3	RFCC3L	RFCC3	R/W	–	√	√	0000H
F033FH		RFCC3H			–	√		
F0340H	CAN receive FIFO status register 0	RFSTS0L	RFSTS0	R/W	–	√	√	0001H ^{Note}
F0341H		RFSTS0H		R	–	√		
F0342H	CAN receive FIFO status register 1	RFSTS1L	RFSTS1	R/W	–	√	√	0001H ^{Note}
F0343H		RFSTS1H		R	–	√		
F0344H	CAN receive FIFO status register 2	RFSTS2L	RFSTS2	R/W	–	√	√	0001H ^{Note}
F0345H		RFSTS2H		R	–	√		
F0346H	CAN receive FIFO status register 3	RFSTS3L	RFSTS3	R/W	–	√	√	0001H ^{Note}
F0347H		RFSTS3H		R	–	√		
F0348H	CAN receive FIFO pointer control register 0	RFPCTR0L	RFPCTR0	W	–	√	√	0000H
F0349H		RFPCTR0H		–	√			
F034AH	CAN receive FIFO pointer control register 1	RFPCTR1L	RFPCTR1	W	–	√	√	0000H
F034BH		RFPCTR1H		–	√			
F034CH	CAN receive FIFO pointer control register 2	RFPCTR2L	RFPCTR2	W	–	√	√	0000H
F034DH		RFPCTR2H		–	√			
F034EH	CAN receive FIFO pointer control register 3	RFPCTR3L	RFPCTR3	W	–	√	√	0000H
F034FH		RFPCTR3H		–	√			
F0350H	CAN0 transmit/receive FIFO control register 0L	CFCC0L	CFCC0	R/W	–	√	√	0000H
F0351H		CFCC0H			–	√		

Note When the CAN0EN bit in the PER2 register is 0, the read value is undefined.

When the CAN0EN bit in the PER2 register is 1, the read value is the initial value listed above.

Table 3-6. Extended SFR (2nd SFR) List (15/52)

Address	Special Function Register (2nd SFR) Name	Symbol		R/W	Manipulable Bit Range			After reset
					1-bit	8-bit	16-bit	
F0352H	CAN0 transmit/receive FIFO control register 0H	CFCCH0L	CFCCH0	R/W	–	√	√	0000H
F0353H		CFCCH0H			–	√		
F0354H	CAN0 transmit/receive FIFO control register 1L	CFCCL1L	CFCCL1	R/W	–	√	√	0000H
F0355H		CFCCL1H			–	√		
F0356H	CAN0 transmit/receive FIFO control register 1H	CFCCH1L	CFCCH1	R/W	–	√	√	0000H
F0357H		CFCCH1H			–	√		
F0358H	CAN0 transmit/receive FIFO status register 0	CFSTS0L	CFSTS0	R/W	–	√	√	0001H Note
F0359H		CFSTS0H		R	–	√		
F035AH	CAN0 transmit/receive FIFO status register 1	CFSTS1L	CFSTS1	R/W	–	√	√	0001H Note
F035BH		CFSTS1H		R	–	√		
F035CH	CAN0 transmit/receive FIFO pointer control register 0	CFPCTR0L	CFPCTR0	W	–	√	√	0000H
F035DH		–			–	–		
F035EH	CAN0 transmit/receive FIFO pointer control register 1	CFPCTR1L	CFPCTR1	W	–	√	√	0000H
F035FH		–			–	–		
F0360H	Receive FIFO message lost status register	RFMSTS		R	–	√	–	00H
F0361H	CAN0 transmit/receive FIFO message lost status register	CFMSTS		R	–	√	–	00H
F0362H	CAN receive FIFO interrupt status register	RFISTS		R	–	√	–	00H
F0363H	CAN transmit/receive FIFO receive interrupt status register	CFISTS		R	–	√	–	00H
F0364H	CAN0 transmit buffer control register 0	TMC0		R/W	–	√	–	00H
F0365H	CAN0 transmit buffer control register 1	TMC1		R/W	–	√	–	00H
F0366H	CAN0 transmit buffer control register 2	TMC2		R/W	–	√	–	00H
F0367H	CAN0 transmit buffer control register 3	TMC3		R/W	–	√	–	00H
F0368H	CAN0 transmit buffer control register 4	TMC4		R/W	–	√	–	00H
F0369H	CAN0 transmit buffer control register 5	TMC5		R/W	–	√	–	00H
F036AH	CAN0 transmit buffer control register 6	TMC6		R/W	–	√	–	00H
F036BH	CAN0 transmit buffer control register 7	TMC7		R/W	–	√	–	00H
F036CH	CAN0 transmit buffer status register 0	TMSTS0		R/W	–	√	–	00H
F036DH	CAN0 transmit buffer status register 1	TMSTS1		R/W	–	√	–	00H
F036EH	CAN0 transmit buffer status register 2	TMSTS2		R/W	–	√	–	00H
F036FH	CAN0 transmit buffer status register 3	TMSTS3		R/W	–	√	–	00H
F0370H	CAN0 transmit buffer status register 4	TMSTS4		R/W	–	√	–	00H
F0371H	CAN0 transmit buffer status register 5	TMSTS5		R/W	–	√	–	00H
F0372H	CAN0 transmit buffer status register 6	TMSTS6		R/W	–	√	–	00H
F0373H	CAN0 transmit buffer status register 7	TMSTS7		R/W	–	√	–	00H
F0374H	CAN0 transmit buffer transmit request status register	TMTRSTSL	TMTRSTS	R	–	√	√	0000H
F0375H		TMTRSTSH			–	√		
F0376H	CAN0 transmit buffer transmit complete status register	TMTCSTSL	TMTCSTS	R	–	√	√	0000H
F0377H		TMTCSTSH			–	√		
F0378H	CAN0 transmit buffer transmit abort status register	TMTASTSL	TMTASTS	R	–	√	√	0000H
F0379H		TMTASTSH			–	√		
F037AH	CAN0 transmit buffer interrupt enable register	TMIECL	TMIEC	R/W	–	√	√	0000H
F037BH		TMIECH			–	√		

Note When the CAN0EN bit in the PER2 register is 0, the read value is undefined.

When the CAN0EN bit in the PER2 register is 1, the read value is the initial value listed above.

Table 3-6. Extended SFR (2nd SFR) List (16/52)

Address	Special Function Register (2nd SFR) Name	Symbol		R/W	Manipulable Bit Range			After reset
					1-bit	8-bit	16-bit	
F037CH	CAN0 transmit history buffer control register	THLCC0L	THLCC0	R/W	–	√	√	0000H
F037DH		THLCC0H			–	√		
F037EH	CAN1 transmit history buffer control register	THLCC1L	THLCC1	R/W	–	√	√	0000H
F037FH		THLCC1H			–	√		
F0380H	CAN0 transmit history buffer status register	THLSTS0L	THLSTS0	R/W	–	√	√	0001H Note 3
F0381H		THLSTS0H			–	√		
F0382H	CAN1 transmit history buffer status register	THLSTS1L	THLSTS1	R/W	–	√	√	0001H Note 3
F0383H		THLSTS1H			–	√		
F0384H	CAN0 transmit history buffer pointer control register	THLPCTR0L	THLPCTR0	W	–	√	√	0000H
F0385H		THLPCTR0H			–	√		
F0386H	CAN1 transmit history buffer pointer control register	THLPCTR1L	THLPCTR1	W	–	√	√	0000H
F0387H		THLPCTR1H			–	√		
F0388H	CAN global transmit interrupt status register	GTINTSTSL	GTINTSTS	R	–	√	√	0000H
F0389H		GTINTSTSH			–	√		
F038AH	CAN global RAM window control register	GRWCRL	GRWCR	R/W	–	√	√	0000H
F038BH		GRWCRH			–	√		
F038CH	CAN global test configuration register	GTSTCFGL	GTSTCFG	R/W	–	√	√	0000H
F038DH		GTSTCFGH			–	√		
F038EH	CAN global test control register	GTSTCTRL	GTSTCTR	R/W	–	√	–	00H
F0394H	CAN global test protection unlock register	GLOCKK		W	–	–	√	0000H
F0395H					–	–		
F03A0H	CAN receive rule entry register 0AL Note 1	GAFIDL0L	GAFIDL0	R/W	–	√	√	0000H
F03A1H		GAFIDL0H			–	√		
F03A0H	CAN receive buffer register 0AL Note 2	RMIDL0L	RMIDL0	R	–	√	√	0000H
F03A1H		RMIDL0H			–	√		
F03A2H	CAN receive rule entry register 0AH Note 1	GAFLIDH0L	GAFLIDH0	R/W	–	√	√	0000H
F03A3H		GAFLIDH0H			–	√		
F03A2H	CAN receive buffer register 0AH Note 2	RMIDH0L	RMIDH0	R	–	√	√	0000H
F03A3H		RMIDH0H			–	√		
F03A4H	CAN receive rule entry register 0BL Note 1	GAFMLL0L	GAFMLL0	R/W	–	√	√	0000H
F03A5H		GAFMLL0H			–	√		
F03A4H	CAN receive buffer register 0BL Note 2	RMTS0L	RMTS0	R	–	√	√	0000H
F03A5H		RMTS0H			–	√		
F03A6H	CAN receive rule entry register 0BH Note 1	GAFLMH0L	GAFLMH0	R/W	–	√	√	0000H
F03A7H		GAFLMH0H			–	√		
F03A6H	CAN receive buffer register 0BH Note 2	RMPTR0L	RMPTR0	R	–	√	√	0000H
F03A7H		RMPTR0H			–	√		
F03A8H	CAN receive rule entry register 0CL Note 1	GAFLPL0L	GAFLPL0	R/W	–	√	√	0000H
F03A9H		GAFLPL0H			–	√		

- Notes**
1. These registers are allocated to the RAM window 0 for the CAN module (receive rule and CAN RAM test register). When setting these registers, set the RPAGE bit in the GRWCR register to 0.
 2. These registers are allocated to the RAM window 1 for the CAN module (receive buffer, receive FIFO buffer, transmit/receive FIFO buffer, transmit buffer, and transmit history data). When setting these registers, set the RPAGE bit in the GRWCR register to 1.
 3. When the CAN0EN bit in the PER2 register is 0, the read value is undefined.
When the CAN0EN bit in the PER2 register is 1, the read value is the initial value listed above.

Table 3-6. Extended SFR (2nd SFR) List (17/52)

Address	Special Function Register (2nd SFR) Name	Symbol		R/W	Manipulable Bit Range			After reset
					1-bit	8-bit	16-bit	
F03A8H	CAN receive buffer register 0CL ^{Note 2}	RMDF00L	RMDF00	R	–	√	√	0000H
F03A9H		RMDF00H			–	√		
F03AAH	CAN receive rule entry register 0CH ^{Note 1}	GAFLPH0L	GAFLPH0	R/W	–	√	√	0000H
F03ABH		GAFLPH0H			–	√		
F03AAH	CAN receive buffer register 0CH ^{Note 2}	RMDF10L	RMDF10	R	–	√	√	0000H
F03ABH		RMDF10H			–	√		
F03ACH	CAN receive rule entry register 1AL ^{Note 1}	GAFLIDL1L	GAFLIDL1	R/W	–	√	√	0000H
F03ADH		GAFLIDL1H			–	√		
F03ACH	CAN receive buffer register 0DL ^{Note 2}	RMDF20L	RMDF20	R	–	√	√	0000H
F03ADH		RMDF20H			–	√		
F03AEH	CAN receive rule entry register 1AH ^{Note 1}	GAFLIDH1L	GAFLIDH1	R/W	–	√	√	0000H
F03AFH		GAFLIDH1H			–	√		
F03AEH	CAN receive buffer register 0DH ^{Note 2}	RMDF30L	RMDF30	R	–	√	√	0000H
F03AFH		RMDF30H			–	√		
F03B0H	CAN receive rule entry register 1BL ^{Note 1}	GAFLML1L	GAFLML1	R/W	–	√	√	0000H
F03B1H		GAFLML1H			–	√		
F03B0H	CAN receive buffer register 1AL ^{Note 2}	RMIDL1L	RMIDL1	R	–	√	√	0000H
F03B1H		RMIDL1H			–	√		
F03B2H	CAN receive rule entry register 1BH ^{Note 1}	GAFLMH1L	GAFLMH1	R/W	–	√	√	0000H
F03B3H		GAFLMH1H			–	√		
F03B2H	CAN receive buffer register 1AH ^{Note 2}	RMIDH1L	RMIDH1	R	–	√	√	0000H
F03B3H		RMIDH1H			–	√		
F03B4H	CAN receive rule entry register 1CL ^{Note 1}	GAFLPL1L	GAFLPL1	R/W	–	√	√	0000H
F03B5H		GAFLPL1H			–	√		
F03B4H	CAN receive buffer register 1BL ^{Note 2}	RMTS1L	RMTS1	R	–	√	√	0000H
F03B5H		RMTS1H			–	√		
F03B6H	CAN receive rule entry register 1CH ^{Note 1}	GAFLPH1L	GAFLPH1	R/W	–	√	√	0000H
F03B7H		GAFLPH1H			–	√		
F03B6H	CAN receive buffer register 1BH ^{Note 2}	RMPTR1L	RMPTR1	R	–	√	√	0000H
F03B7H		RMPTR1H			–	√		
F03B8H	CAN receive rule entry register 2AL ^{Note 1}	GAFLIDL2L	GAFLIDL2	R/W	–	√	√	0000H
F03B9H		GAFLIDL2H			–	√		
F03B8H	CAN receive buffer register 1CL ^{Note 2}	RMDF01L	RMDF01	R	–	√	√	0000H
F03B9H		RMDF01H			–	√		
F03BAH	CAN receive rule entry register 2AH ^{Note 1}	GAFLIDH2L	GAFLIDH2	R/W	–	√	√	0000H
F03BBH		GAFLIDH2H			–	√		
F03BAH	CAN receive buffer register 1CH ^{Note 2}	RMDF11L	RMDF11	R	–	√	√	0000H
F03BBH		RMDF11H			–	√		
F03BCH	CAN receive rule entry register 2BL ^{Note 1}	GAFLML2L	GAFLML2	R/W	–	√	√	0000H
F03BDH		GAFLML2H			–	√		
F03BCH	CAN receive buffer register 1DL ^{Note 2}	RMDF21L	RMDF21	R	–	√	√	0000H
F03BDH		RMDF21H			–	√		
F03BEH	CAN receive rule entry register 2BH ^{Note 1}	GAFLMH2L	GAFLMH2	R/W	–	√	√	0000H
F03BFH		GAFLMH2H			–	√		

Notes 1. These registers are allocated to the RAM window 0 for the CAN module (receive rule and CAN RAM test register). When setting these registers, set the RPAGE bit in the GRWCR register to 0.

2. These registers are allocated to the RAM window 1 for the CAN module (receive buffer, receive FIFO buffer, transmit/receive FIFO buffer, transmit buffer, and transmit history data). When setting these registers, set the RPAGE bit in the GRWCR register to 1.

Table 3-6. Extended SFR (2nd SFR) List (18/52)

Address	Special Function Register (2nd SFR) Name	Symbol		R/W	Manipulable Bit Range			After reset
					1-bit	8-bit	16-bit	
F03BEH	CAN receive buffer register 1DH ^{Note 2}	RMDF31L	RMDF31	R	–	√	√	0000H
F03BFH		RMDF31H			–	√		
F03C0H	CAN receive rule entry register 2CL ^{Note 1}	GAFPL2L	GAFPL2	R/W	–	√	√	0000H
F03C1H		GAFPL2H			–	√		
F03C0H	CAN receive buffer register 2AL ^{Note 2}	RMIDL2L	RMIDL2	R	–	√	√	0000H
F03C1H		RMIDL2H			–	√		
F03C2H	CAN receive rule entry register 2CH ^{Note 1}	GAFPL2L	GAFPL2	R/W	–	√	√	0000H
F03C3H		GAFPL2H			–	√		
F03C2H	CAN receive buffer register 2AH ^{Note 2}	RMIDH2L	RMIDH2	R	–	√	√	0000H
F03C3H		RMIDH2H			–	√		
F03C4H	CAN receive rule entry register 3AL ^{Note 1}	GAFIDL3L	GAFIDL3	R/W	–	√	√	0000H
F03C5H		GAFIDL3H			–	√		
F03C4H	CAN receive buffer register 2BL ^{Note 2}	RMTS2L	RMTS2	R	–	√	√	0000H
F03C5H		RMTS2H			–	√		
F03C6H	CAN receive rule entry register 3AH ^{Note 1}	GAFLIDH3L	GAFLIDH3	R/W	–	√	√	0000H
F03C7H		GAFLIDH3H			–	√		
F03C6H	CAN receive buffer register 2BH ^{Note 2}	RMPTR2L	RMPTR2	R	–	√	√	0000H
F03C7H		RMPTR2H			–	√		
F03C8H	CAN receive rule entry register 3BL ^{Note 1}	GAFML3L	GAFML3	R/W	–	√	√	0000H
F03C9H		GAFML3H			–	√		
F03C8H	CAN receive buffer register 2CL ^{Note 2}	RMDF02L	RMDF02	R	–	√	√	0000H
F03C9H		RMDF02H			–	√		
F03CAH	CAN receive rule entry register 3BH ^{Note 1}	GAFMLH3L	GAFMLH3	R/W	–	√	√	0000H
F03CBH		GAFMLH3H			–	√		
F03CAH	CAN receive buffer register 2CH ^{Note 2}	RMDF12L	RMDF12	R	–	√	√	0000H
F03CBH		RMDF12H			–	√		
F03CCH	CAN receive rule entry register 3CL ^{Note 1}	GAFPL3L	GAFPL3	R/W	–	√	√	0000H
F03CDH		GAFPL3H			–	√		
F03CCH	CAN receive buffer register 2DL ^{Note 2}	RMDF22L	RMDF22	R	–	√	√	0000H
F03CDH		RMDF22H			–	√		
F03CEH	CAN receive rule entry register 3CH ^{Note 1}	GAFPLH3L	GAFPLH3	R/W	–	√	√	0000H
F03CFH		GAFPLH3H			–	√		
F03CEH	CAN receive buffer register 2DH ^{Note 2}	RMDF32L	RMDF32	R	–	√	√	0000H
F03CFH		RMDF32H			–	√		
F03D0H	CAN receive rule entry register 4AL ^{Note 1}	GAFIDL4L	GAFIDL4	R/W	–	√	√	0000H
F03D1H		GAFIDL4H			–	√		
F03D0H	CAN receive buffer register 3AL ^{Note 2}	RMIDL3L	RMIDL3	R	–	√	√	0000H
F03D1H		RMIDL3H			–	√		
F03D2H	CAN receive rule entry register 4AH ^{Note 1}	GAFLIDH4L	GAFLIDH4	R/W	–	√	√	0000H
F03D3H		GAFLIDH4H			–	√		
F03D2H	CAN receive buffer register 3AH ^{Note 2}	RMIDH3L	RMIDH3	R	–	√	√	0000H
F03D3H		RMIDH3H			–	√		
F03D4H	CAN receive rule entry register 4BL ^{Note 1}	GAFML4L	GAFML4	R/W	–	√	√	0000H
F03D5H		GAFML4H			–	√		

- Notes**
1. These registers are allocated to the RAM window 0 for the CAN module (receive rule and CAN RAM test register). When setting these registers, set the RPAGE bit in the GRWCR register to 0.
 2. These registers are allocated to the RAM window 1 for the CAN module (receive buffer, receive FIFO buffer, transmit/receive FIFO buffer, transmit buffer, and transmit history data). When setting these registers, set the RPAGE bit in the GRWCR register to 1.

Table 3-6. Extended SFR (2nd SFR) List (19/52)

Address	Special Function Register (2nd SFR) Name	Symbol		R/W	Manipulable Bit Range			After reset
					1-bit	8-bit	16-bit	
F03D4H	CAN receive buffer register 3BL ^{Note 2}	RMTS3L	RMTS3	R	–	√	√	0000H
F03D5H		RMTS3H			–	√		
F03D6H	CAN receive rule entry register 4BH ^{Note 1}	GAFLMH4L	GAFLMH4	R/W	–	√	√	0000H
F03D7H		GAFLMH4H			–	√		
F03D6H	CAN receive buffer register 3BH ^{Note 2}	RMPTR3L	RMPTR3	R	–	√	√	0000H
F03D7H		RMPTR3H			–	√		
F03D8H	CAN receive rule entry register 4CL ^{Note 1}	GAFPL4L	GAFPL4	R/W	–	√	√	0000H
F03D9H		GAFPL4H			–	√		
F03D8H	CAN receive buffer register 3CL ^{Note 2}	RMDF03L	RMDF03	R	–	√	√	0000H
F03D9H		RMDF03H			–	√		
F03DAH	CAN receive rule entry register 4CH ^{Note 1}	GAFPH4L	GAFPH4	R/W	–	√	√	0000H
F03DBH		GAFPH4H			–	√		
F03DAH	CAN receive buffer register 3CH ^{Note 2}	RMDF13L	RMDF13	R	–	√	√	0000H
F03DBH		RMDF13H			–	√		
F03DCH	CAN receive rule entry register 5AL ^{Note 1}	GAFIDL5L	GAFIDL5	R/W	–	√	√	0000H
F03DDH		GAFIDL5H			–	√		
F03DCH	CAN receive buffer register 3DL ^{Note 2}	RMDF23L	RMDF23	R	–	√	√	0000H
F03DDH		RMDF23H			–	√		
F03DEH	CAN receive rule entry register 5AH ^{Note 1}	GAFLIDH5L	GAFLIDH5	R/W	–	√	√	0000H
F03DFH		GAFLIDH5H			–	√		
F03DEH	CAN receive buffer register 3DH ^{Note 2}	RMDF33L	RMDF33	R	–	√	√	0000H
F03DFH		RMDF33H			–	√		
F03E0H	CAN receive rule entry register 5BL ^{Note 1}	GAFML5L	GAFML5	R/W	–	√	√	0000H
F03E1H		GAFML5H			–	√		
F03E0H	CAN receive buffer register 4AL ^{Note 2}	RMIDL4L	RMIDL4	R	–	√	√	0000H
F03E1H		RMIDL4H			–	√		
F03E2H	CAN receive rule entry register 5BH ^{Note 1}	GAFLMH5L	GAFLMH5	R/W	–	√	√	0000H
F03E3H		GAFLMH5H			–	√		
F03E2H	CAN receive buffer register 4AH ^{Note 2}	RMIDH4L	RMIDH4	R	–	√	√	0000H
F03E3H		RMIDH4H			–	√		
F03E4H	CAN receive rule entry register 5CL ^{Note 1}	GAFPL5L	GAFPL5	R/W	–	√	√	0000H
F03E5H		GAFPL5H			–	√		
F03E4H	CAN receive buffer register 4BL ^{Note 2}	RMTS4L	RMTS4	R	–	√	√	0000H
F03E5H		RMTS4H			–	√		
F03E6H	CAN receive rule entry register 5CH ^{Note 1}	GAFPH5L	GAFPH5	R/W	–	√	√	0000H
F03E7H		GAFPH5H			–	√		
F03E6H	CAN receive buffer register 4BH ^{Note 2}	RMPTR4L	RMPTR4	R	–	√	√	0000H
F03E7H		RMPTR4H			–	√		
F03E8H	CAN receive rule entry register 6AL ^{Note 1}	GAFIDL6L	GAFIDL6	R/W	–	√	√	0000H
F03E9H		GAFIDL6H			–	√		
F03E8H	CAN receive buffer register 4CL ^{Note 2}	RMDF04L	RMDF04	R	–	√	√	0000H
F03E9H		RMDF04H			–	√		
F03EAH	CAN receive rule entry register 6AH ^{Note 1}	GAFLIDH6L	GAFLIDH6	R/W	–	√	√	0000H
F03EBH		GAFLIDH6H			–	√		

- Notes**
1. These registers are allocated to the RAM window 0 for the CAN module (receive rule and CAN RAM test register). When setting these registers, set the RPAGE bit in the GRWCR register to 0.
 2. These registers are allocated to the RAM window 1 for the CAN module (receive buffer, receive FIFO buffer, transmit/receive FIFO buffer, transmit buffer, and transmit history data). When setting these registers, set the RPAGE bit in the GRWCR register to 1.

Table 3-6. Extended SFR (2nd SFR) List (20/52)

Address	Special Function Register (2nd SFR) Name	Symbol		R/W	Manipulable Bit Range			After reset
					1-bit	8-bit	16-bit	
F03EAH	CAN receive buffer register 4CH ^{Note 2}	RMDF14L	RMDF14	R	–	√	√	0000H
F03EBH		RMDF14H			–	√		
F03ECH	CAN receive rule entry register 6BL ^{Note 1}	GAFML6L	GAFML6	R/W	–	√	√	0000H
F03EDH		GAFML6H			–	√		
F03ECH	CAN receive buffer register 4DL ^{Note 2}	RMDF24L	RMDF24	R	–	√	√	0000H
F03EDH		RMDF24H			–	√		
F03EEH	CAN receive rule entry register 6BH ^{Note 1}	GAFMLH6L	GAFMLH6	R/W	–	√	√	0000H
F03EFH		GAFMLH6H			–	√		
F03EEH	CAN receive buffer register 4DH ^{Note 2}	RMDF34L	RMDF34	R	–	√	√	0000H
F03EFH		RMDF34H			–	√		
F03F0H	CAN receive rule entry register 6CL ^{Note 1}	GAFPL6L	GAFPL6	R/W	–	√	√	0000H
F03F1H		GAFPL6H			–	√		
F03F0H	CAN receive buffer register 5AL ^{Note 2}	RMIDL5L	RMIDL5	R	–	√	√	0000H
F03F1H		RMIDL5H			–	√		
F03F2H	CAN receive rule entry register 6CH ^{Note 1}	GAFPLH6L	GAFPLH6	R/W	–	√	√	0000H
F03F3H		GAFPLH6H			–	√		
F03F2H	CAN receive buffer register 5AH ^{Note 2}	RMIDH5L	RMIDH5	R	–	√	√	0000H
F03F3H		RMIDH5H			–	√		
F03F4H	CAN receive rule entry register 7AL ^{Note 1}	GAFIDL7L	GAFIDL7	R/W	–	√	√	0000H
F03F5H		GAFIDL7H			–	√		
F03F4H	CAN receive buffer register 5BL ^{Note 2}	RMTS5L	RMTS5	R	–	√	√	0000H
F03F5H		RMTS5H			–	√		
F03F6H	CAN receive rule entry register 7AH ^{Note 1}	GAFLIDH7L	GAFLIDH7	R/W	–	√	√	0000H
F03F7H		GAFLIDH7H			–	√		
F03F6H	CAN receive buffer register 5BH ^{Note 2}	RMPTR5L	RMPTR5	R	–	√	√	0000H
F03F7H		RMPTR5H			–	√		
F03F8H	CAN receive rule entry register 7BL ^{Note 1}	GAFML7L	GAFML7	R/W	–	√	√	0000H
F03F9H		GAFML7H			–	√		
F03F8H	CAN receive buffer register 5CL ^{Note 2}	RMDF05L	RMDF05	R	–	√	√	0000H
F03F9H		RMDF05H			–	√		
F03FAH	CAN receive rule entry register 7BH ^{Note 1}	GAFMLH7L	GAFMLH7	R/W	–	√	√	0000H
F03FBH		GAFMLH7H			–	√		
F03FAH	CAN receive buffer register 5CH ^{Note 2}	RMDF15L	RMDF15	R	–	√	√	0000H
F03FBH		RMDF15H			–	√		
F03FCH	CAN receive rule entry register 7CL ^{Note 1}	GAFPL7L	GAFPL7	R/W	–	√	√	0000H
F03FDH		GAFPL7H			–	√		
F03FCH	CAN receive buffer register 5DL ^{Note 2}	RMDF25L	RMDF25	R	–	√	√	0000H
F03FDH		RMDF25H			–	√		
F03FEH	CAN receive rule entry register 7CH ^{Note 1}	GAFPLH7L	GAFPLH7	R/W	–	√	√	0000H
F03FFH		GAFPLH7H			–	√		
F03FEH	CAN receive buffer register 5DH ^{Note 2}	RMDF35L	RMDF35	R	–	√	√	0000H
F03FFH		RMDF35H			–	√		

- Notes**
1. These registers are allocated to the RAM window 0 for the CAN module (receive rule and CAN RAM test register). When setting these registers, set the RPAGE bit in the GRWCR register to 0.
 2. These registers are allocated to the RAM window 1 for the CAN module (receive buffer, receive FIFO buffer, transmit/receive FIFO buffer, transmit buffer, and transmit history data). When setting these registers, set the RPAGE bit in the GRWCR register to 1.

Table 3-6. Extended SFR (2nd SFR) List (21/52)

Address	Special Function Register (2nd SFR) Name	Symbol		R/W	Manipulable Bit Range			After reset
					1-bit	8-bit	16-bit	
F0400H	CAN receive rule entry register 8AL ^{Note 1}	GAFIDL8L	GAFIDL8	R/W	–	√	√	0000H
F0401H		GAFIDL8H			–	√		
F0400H	CAN receive buffer register 6AL ^{Note 2}	RMIDL6L	RMIDL6	R	–	√	√	0000H
F0401H		RMIDL6H			–	√		
F0402H	CAN receive rule entry register 8AH ^{Note 1}	GAFLIDH8L	GAFLIDH8	R/W	–	√	√	0000H
F0403H		GAFLIDH8H			–	√		
F0402H	CAN receive buffer register 6AH ^{Note 2}	RMIDH6L	RMIDH6	R	–	√	√	0000H
F0403H		RMIDH6H			–	√		
F0404H	CAN receive rule entry register 8BL ^{Note 1}	GAFML8L	GAFML8	R/W	–	√	√	0000H
F0405H		GAFML8H			–	√		
F0404H	CAN receive buffer register 6BL ^{Note 2}	RMTS6L	RMTS6	R	–	√	√	0000H
F0405H		RMTS6H			–	√		
F0406H	CAN receive rule entry register 8BH ^{Note 1}	GAFLMH8L	GAFLMH8	R/W	–	√	√	0000H
F0407H		GAFLMH8H			–	√		
F0406H	CAN receive buffer register 6BH ^{Note 2}	RMPTR6L	RMPTR6	R	–	√	√	0000H
F0407H		RMPTR6H			–	√		
F0408H	CAN receive rule entry register 8CL ^{Note 1}	GAFPL8L	GAFPL8	R/W	–	√	√	0000H
F0409H		GAFPL8H			–	√		
F0408H	CAN receive buffer register 6CL ^{Note 2}	RMDF06L	RMDF06	R	–	√	√	0000H
F0409H		RMDF06H			–	√		
F040AH	CAN receive rule entry register 8CH ^{Note 1}	GAFLPH8L	GAFLPH8	R/W	–	√	√	0000H
F040BH		GAFLPH8H			–	√		
F040AH	CAN receive buffer register 6CH ^{Note 2}	RMDF16L	RMDF16	R	–	√	√	0000H
F040BH		RMDF16H			–	√		
F040CH	CAN receive rule entry register 9AL ^{Note 1}	GAFIDL9L	GAFIDL9	R/W	–	√	√	0000H
F040DH		GAFIDL9H			–	√		
F040CH	CAN receive buffer register 6DL ^{Note 2}	RMDF26L	RMDF26	R	–	√	√	0000H
F040DH		RMDF26H			–	√		
F040EH	CAN receive rule entry register 9AH ^{Note 1}	GAFLIDH9L	GAFLIDH9	R/W	–	√	√	0000H
F040FH		GAFLIDH9H			–	√		
F040EH	CAN receive buffer register 6DH ^{Note 2}	RMDF36L	RMDF36	R	–	√	√	0000H
F040FH		RMDF36H			–	√		
F0410H	CAN receive rule entry register 9BL ^{Note 1}	GAFML9L	GAFML9	R/W	–	√	√	0000H
F0411H		GAFML9H			–	√		
F0410H	CAN receive buffer register 7AL ^{Note 2}	RMIDL7L	RMIDL7	R	–	√	√	0000H
F0411H		RMIDL7H			–	√		
F0412H	CAN receive rule entry register 9BH ^{Note 1}	GAFLMH9L	GAFLMH9	R/W	–	√	√	0000H
F0413H		GAFLMH9H			–	√		
F0412H	CAN receive buffer register 7AH ^{Note 2}	RMIDH7L	RMIDH7	R	–	√	√	0000H
F0413H		RMIDH7H			–	√		
F0414H	CAN receive rule entry register 9CL ^{Note 1}	GAFPL9L	GAFPL9	R/W	–	√	√	0000H
F0415H		GAFPL9H			–	√		
F0414H	CAN receive buffer register 7BL ^{Note 2}	RMTS7L	RMTS7	R	–	√	√	0000H
F0415H		RMTS7H			–	√		

- Notes**
1. These registers are allocated to the RAM window 0 for the CAN module (receive rule and CAN RAM test register). When setting these registers, set the RPAGE bit in the GRWCR register to 0.
 2. These registers are allocated to the RAM window 1 for the CAN module (receive buffer, receive FIFO buffer, transmit/receive FIFO buffer, transmit buffer, and transmit history data). When setting these registers, set the RPAGE bit in the GRWCR register to 1.

Table 3-6. Extended SFR (2nd SFR) List (22/52)

Address	Special Function Register (2nd SFR) Name	Symbol		R/W	Manipulable Bit Range			After reset
					1-bit	8-bit	16-bit	
F0416H	CAN receive rule entry register 9CH ^{Note 1}	GAFLPH9L	GAFLPH9	R/W	–	√	√	0000H
F0417H		GAFLPH9H			–	√		
F0416H	CAN receive buffer register 7BH ^{Note 2}	RMPTR7L	RMPTR7	R	–	√	√	0000H
F0417H		RMPTR7H			–	√		
F0418H	CAN receive rule entry register 10AL ^{Note 1}	GAFLIDL10L	GAFLIDL10	R/W	–	√	√	0000H
F0419H		GAFLIDL10H			–	√		
F0418H	CAN receive buffer register 7CL ^{Note 2}	RMDF07L	RMDF07	R	–	√	√	0000H
F0419H		RMDF07H			–	√		
F041AH	CAN receive rule entry register 10AH ^{Note 1}	GAFLIDH10L	GAFLIDH10	R/W	–	√	√	0000H
F041BH		GAFLIDH10H			–	√		
F041AH	CAN receive buffer register 7CH ^{Note 2}	RMDF17L	RMDF17	R	–	√	√	0000H
F041BH		RMDF17H			–	√		
F041CH	CAN receive rule entry register 10BL ^{Note 1}	GAFLML10L	GAFLML10	R/W	–	√	√	0000H
F041DH		GAFLML10H			–	√		
F041CH	CAN receive buffer register 7DL ^{Note 2}	RMDF27L	RMDF27	R	–	√	√	0000H
F041DH		RMDF27H			–	√		
F041EH	CAN receive rule entry register 10BH ^{Note 1}	GAFLMH10L	GAFLMH10	R/W	–	√	√	0000H
F041FH		GAFLMH10H			–	√		
F041EH	CAN receive buffer register 7DH ^{Note 2}	RMDF37L	RMDF37	R	–	√	√	0000H
F041FH		RMDF37H			–	√		
F0420H	CAN receive rule entry register 10CL ^{Note 1}	GAFLPL10L	GAFLPL10	R/W	–	√	√	0000H
F0421H		GAFLPL10H			–	√		
F0420H	CAN receive buffer register 8AL ^{Note 2}	RMIDL8L	RMIDL8	R	–	√	√	0000H
F0421H		RMIDL8H			–	√		
F0422H	CAN receive rule entry register 10CH ^{Note 1}	GAFLPH10L	GAFLPH10	R/W	–	√	√	0000H
F0423H		GAFLPH10H			–	√		
F0422H	CAN receive buffer register 8AH ^{Note 2}	RMIDH8L	RMIDH8	R	–	√	√	0000H
F0423H		RMIDH8H			–	√		
F0424H	CAN receive rule entry register 11AL ^{Note 1}	GAFLIDL11L	GAFLIDL11	R/W	–	√	√	0000H
F0425H		GAFLIDL11H			–	√		
F0424H	CAN receive buffer register 8BL ^{Note 2}	RMTS8L	RMTS8	R	–	√	√	0000H
F0425H		RMTS8H			–	√		
F0426H	CAN receive rule entry register 11AH ^{Note 1}	GAFLIDH11L	GAFLIDH11	R/W	–	√	√	0000H
F0427H		GAFLIDH11H			–	√		
F0426H	CAN receive buffer register 8BH ^{Note 2}	RMPTR8L	RMPTR8	R	–	√	√	0000H
F0427H		RMPTR8H			–	√		
F0428H	CAN receive rule entry register 11BL ^{Note 1}	GAFLML11L	GAFLML11	R/W	–	√	√	0000H
F0429H		GAFLML11H			–	√		
F0428H	CAN receive buffer register 8CL ^{Note 2}	RMDF08L	RMDF08	R	–	√	√	0000H
F0429H		RMDF08H			–	√		
F042AH	CAN receive rule entry register 11BH ^{Note 1}	GAFLMH11L	GAFLMH11	R/W	–	√	√	0000H
F042BH		GAFLMH11H			–	√		
F042AH	CAN receive buffer register 8CH ^{Note 2}	RMDF18L	RMDF18	R	–	√	√	0000H
F042BH		RMDF18H			–	√		

- Notes**
1. These registers are allocated to the RAM window 0 for the CAN module (receive rule and CAN RAM test register). When setting these registers, set the RPAGE bit in the GRWCR register to 0.
 2. These registers are allocated to the RAM window 1 for the CAN module (receive buffer, receive FIFO buffer, transmit/receive FIFO buffer, transmit buffer, and transmit history data). When setting these registers, set the RPAGE bit in the GRWCR register to 1.

Table 3-6. Extended SFR (2nd SFR) List (23/52)

Address	Special Function Register (2nd SFR) Name	Symbol		R/W	Manipulable Bit Range			After reset
					1-bit	8-bit	16-bit	
F042CH	CAN receive rule entry register 11CL ^{Note 1}	GAFPL11L	GAFPL11	R/W	–	√	√	0000H
F042DH		GAFPL11H			–	√		
F042CH	CAN receive buffer register 8DL ^{Note 2}	RMDF28L	RMDF28	R	–	√	√	0000H
F042DH		RMDF28H			–	√		
F042EH	CAN receive rule entry register 11CH ^{Note 1}	GAFPLH11L	GAFPLH11	R/W	–	√	√	0000H
F042FH		GAFPLH11H			–	√		
F042EH	CAN receive buffer register 8DH ^{Note 2}	RMDF38L	RMDF38	R	–	√	√	0000H
F042FH		RMDF38H			–	√		
F0430H	CAN receive rule entry register 12AL ^{Note 1}	GAFIDL12L	GAFIDL12	R/W	–	√	√	0000H
F0431H		GAFIDL12H			–	√		
F0430H	CAN receive buffer register 9AL ^{Note 2}	RMIDL9L	RMIDL9	R	–	√	√	0000H
F0431H		RMIDL9H			–	√		
F0432H	CAN receive rule entry register 12AH ^{Note 1}	GAFLIDH12L	GAFLIDH12	R/W	–	√	√	0000H
F0433H		GAFLIDH12H			–	√		
F0432H	CAN receive buffer register 9AH ^{Note 2}	RMIDH9L	RMIDH9	R	–	√	√	0000H
F0433H		RMIDH9H			–	√		
F0434H	CAN receive rule entry register 12BL ^{Note 1}	GAFML12L	GAFML12	R/W	–	√	√	0000H
F0435H		GAFML12H			–	√		
F0434H	CAN receive buffer register 9BL ^{Note 2}	RMTS9L	RMTS9	R	–	√	√	0000H
F0435H		RMTS9H			–	√		
F0436H	CAN receive rule entry register 12BH ^{Note 1}	GAFLMH12L	GAFLMH12	R/W	–	√	√	0000H
F0437H		GAFLMH12H			–	√		
F0436H	CAN receive buffer register 9BH ^{Note 2}	RMPTR9L	RMPTR9	R	–	√	√	0000H
F0437H		RMPTR9H			–	√		
F0438H	CAN receive rule entry register 12CL ^{Note 1}	GAFPL12L	GAFPL12	R/W	–	√	√	0000H
F0439H		GAFPL12H			–	√		
F0438H	CAN receive buffer register 9CL ^{Note 2}	RMDF09L	RMDF09	R	–	√	√	0000H
F0439H		RMDF09H			–	√		
F043AH	CAN receive rule entry register 12CH ^{Note 1}	GAFPLH12L	GAFPLH12	R/W	–	√	√	0000H
F043BH		GAFPLH12H			–	√		
F043AH	CAN receive buffer register 9CH ^{Note 2}	RMDF19L	RMDF19	R	–	√	√	0000H
F043BH		RMDF19H			–	√		
F043CH	CAN receive rule entry register 13AL ^{Note 1}	GAFIDL13L	GAFIDL13	R/W	–	√	√	0000H
F043DH		GAFIDL13H			–	√		
F043CH	CAN receive buffer register 9DL ^{Note 2}	RMDF29L	RMDF29	R	–	√	√	0000H
F043DH		RMDF29H			–	√		
F043EH	CAN receive rule entry register 13AH ^{Note 1}	GAFLIDH13L	GAFLIDH13	R/W	–	√	√	0000H
F043FH		GAFLIDH13H			–	√		
F043EH	CAN receive buffer register 9DH ^{Note 2}	RMDF39L	RMDF39	R	–	√	√	0000H
F043FH		RMDF39H			–	√		
F0440H	CAN receive rule entry register 13BL ^{Note 1}	GAFML13L	GAFML13	R/W	–	√	√	0000H
F0441H		GAFML13H			–	√		
F0440H	CAN receive buffer register 10AL ^{Note 2}	RMIDL10L	RMIDL10	R	–	√	√	0000H
F0441H		RMIDL10H			–	√		

- Notes**
1. These registers are allocated to the RAM window 0 for the CAN module (receive rule and CAN RAM test register). When setting these registers, set the RPAGE bit in the GRWCR register to 0.
 2. These registers are allocated to the RAM window 1 for the CAN module (receive buffer, receive FIFO buffer, transmit/receive FIFO buffer, transmit buffer, and transmit history data). When setting these registers, set the RPAGE bit in the GRWCR register to 1.

Table 3-6. Extended SFR (2nd SFR) List (24/52)

Address	Special Function Register (2nd SFR) Name	Symbol		R/W	Manipulable Bit Range			After reset
					1-bit	8-bit	16-bit	
F0442H	CAN receive rule entry register 13BH ^{Note 1}	GAFLMH13L	GAFLMH13	R/W	–	√	√	0000H
F0443H		GAFLMH13H			–	√		
F0442H	CAN receive buffer register 10AH ^{Note 2}	RMIDH10L	RMIDH10	R	–	√	√	0000H
F0443H		RMIDH10H			–	√		
F0444H	CAN receive rule entry register 13CL ^{Note 1}	GAFLPL13L	GAFLPL13	R/W	–	√	√	0000H
F0445H		GAFLPL13H			–	√		
F0444H	CAN receive buffer register 10BL ^{Note 2}	RMTS10L	RMTS10	R	–	√	√	0000H
F0445H		RMTS10H			–	√		
F0446H	CAN receive rule entry register 13CH ^{Note 1}	GAFLPH13L	GAFLPH13	R/W	–	√	√	0000H
F0447H		GAFLPH13H			–	√		
F0446H	CAN receive buffer register 10BH ^{Note 2}	RMPTR10L	RMPTR10	R	–	√	√	0000H
F0447H		RMPTR10H			–	√		
F0448H	CAN receive rule entry register 14AL ^{Note 1}	GAFLIDL14L	GAFLIDL14	R/W	–	√	√	0000H
F0449H		GAFLIDL14H			–	√		
F0448H	CAN receive buffer register 10CL ^{Note 2}	RMDF010L	RMDF010	R	–	√	√	0000H
F0449H		RMDF010H			–	√		
F044AH	CAN receive rule entry register 14AH ^{Note 1}	GAFLIDH14L	GAFLIDH14	R/W	–	√	√	0000H
F044BH		GAFLIDH14H			–	√		
F044AH	CAN receive buffer register 10CH ^{Note 2}	RMDF110L	RMDF110	R	–	√	√	0000H
F044BH		RMDF110H			–	√		
F044CH	CAN receive rule entry register 14BL ^{Note 1}	GAFLML14L	GAFLML14	R/W	–	√	√	0000H
F044DH		GAFLML14H			–	√		
F044CH	CAN receive buffer register 10DL ^{Note 2}	RMDF210L	RMDF210	R	–	√	√	0000H
F044DH		RMDF210H			–	√		
F044EH	CAN receive rule entry register 14BH ^{Note 1}	GAFLMH14L	GAFLMH14	R/W	–	√	√	0000H
F044FH		GAFLMH14H			–	√		
F044EH	CAN receive buffer register 10DH ^{Note 2}	RMDF310L	RMDF310	R	–	√	√	0000H
F044FH		RMDF310H			–	√		
F0450H	CAN receive rule entry register 14CL ^{Note 1}	GAFLPL14L	GAFLPL14	R/W	–	√	√	0000H
F0451H		GAFLPL14H			–	√		
F0450H	CAN receive buffer register 11AL ^{Note 2}	RMIDL11L	RMIDL11	R	–	√	√	0000H
F0451H		RMIDL11H			–	√		
F0452H	CAN receive rule entry register 14CH ^{Note 1}	GAFLPH14L	GAFLPH14	R/W	–	√	√	0000H
F0453H		GAFLPH14H			–	√		
F0452H	CAN receive buffer register 11AH ^{Note 2}	RMIDH11L	RMIDH11	R	–	√	√	0000H
F0453H		RMIDH11H			–	√		
F0454H	CAN receive rule entry register 15AL ^{Note 1}	GAFLIDL15L	GAFLIDL15	R/W	–	√	√	0000H
F0455H		GAFLIDL15H			–	√		
F0454H	CAN receive buffer register 11BL ^{Note 2}	RMTS11L	RMTS11	R	–	√	√	0000H
F0455H		RMTS11H			–	√		
F0456H	CAN receive rule entry register 15AH ^{Note 1}	GAFLIDH15L	GAFLIDH15	R/W	–	√	√	0000H
F0457H		GAFLIDH15H			–	√		
F0456H	CAN receive buffer register 11BH ^{Note 2}	RMPTR11L	RMPTR11	R	–	√	√	0000H
F0457H		RMPTR11H			–	√		

- Notes**
1. These registers are allocated to the RAM window 0 for the CAN module (receive rule and CAN RAM test register). When setting these registers, set the RPAGE bit in the GRWCR register to 0.
 2. These registers are allocated to the RAM window 1 for the CAN module (receive buffer, receive FIFO buffer, transmit/receive FIFO buffer, transmit buffer, and transmit history data). When setting these registers, set the RPAGE bit in the GRWCR register to 1.

Table 3-6. Extended SFR (2nd SFR) List (25/52)

Address	Special Function Register (2nd SFR) Name	Symbol		R/W	Manipulable Bit Range			After reset
					1-bit	8-bit	16-bit	
F0458H	CAN receive rule entry register 15BL ^{Note 1}	GAFML15L	GAFML15	R/W	–	√	√	0000H
F0459H		GAFML15H			–	√		
F0458H	CAN receive buffer register 11CL ^{Note 2}	RMDF011L	RMDF011	R	–	√	√	0000H
F0459H		RMDF011H			–	√		
F045AH	CAN receive rule entry register 15BH ^{Note 1}	GAFLMH15L	GAFLMH15	R/W	–	√	√	0000H
F045BH		GAFLMH15H			–	√		
F045AH	CAN receive buffer register 11CH ^{Note 2}	RMDF111L	RMDF111	R	–	√	√	0000H
F045BH		RMDF111H			–	√		
F045CH	CAN receive rule entry register 15CL ^{Note 1}	GAFPL15L	GAFPL15	R/W	–	√	√	0000H
F045DH		GAFPL15H			–	√		
F045CH	CAN receive buffer register 11DL ^{Note 2}	RMDF211L	RMDF211	R	–	√	√	0000H
F045DH		RMDF211H			–	√		
F045EH	CAN receive rule entry register 15CH ^{Note 1}	GAFPH15L	GAFPH15	R/W	–	√	√	0000H
F045FH		GAFPH15H			–	√		
F045EH	CAN receive buffer register 11DH ^{Note 2}	RMDF311L	RMDF311	R	–	√	√	0000H
F045FH		RMDF311H			–	√		
F0460H	CAN receive rule entry register 16AL ^{Note 1}	GAFIDL16L	GAFIDL16	R/W	–	√	√	0000H
F0461H		GAFIDL16H			–	√		
F0460H	CAN receive buffer register 12AL ^{Note 2}	RMIDL12L	RMIDL12	R	–	√	√	0000H
F0461H		RMIDL12H			–	√		
F0462H	CAN receive rule entry register 16AH ^{Note 1}	GAFLIDH16L	GAFLIDH16	R/W	–	√	√	0000H
F0463H		GAFLIDH16H			–	√		
F0462H	CAN receive buffer register 12AH ^{Note 2}	RMIDH12L	RMIDH12	R	–	√	√	0000H
F0463H		RMIDH12H			–	√		
F0464H	CAN receive rule entry register 16BL ^{Note 1}	GAFML16L	GAFML16	R/W	–	√	√	0000H
F0465H		GAFML16H			–	√		
F0464H	CAN receive buffer register 12BL ^{Note 2}	RMTS12L	RMTS12	R	–	√	√	0000H
F0465H		RMTS12H			–	√		
F0466H	CAN receive rule entry register 16BH ^{Note 1}	GAFLMH16L	GAFLMH16	R/W	–	√	√	0000H
F0467H		GAFLMH16H			–	√		
F0466H	CAN receive buffer register 12BH ^{Note 2}	RMPTR12L	RMPTR12	R	–	√	√	0000H
F0467H		RMPTR12H			–	√		
F0468H	CAN receive rule entry register 16CL ^{Note 1}	GAFPL16L	GAFPL16	R/W	–	√	√	0000H
F0469H		GAFPL16H			–	√		
F0468H	CAN receive buffer register 12CL ^{Note 2}	RMDF012L	RMDF012	R	–	√	√	0000H
F0469H		RMDF012H			–	√		
F046AH	CAN receive rule entry register 16CH ^{Note 1}	GAFPH16L	GAFPH16	R/W	–	√	√	0000H
F046BH		GAFPH16H			–	√		
F046AH	CAN receive buffer register 12CH ^{Note 2}	RMDF112L	RMDF112	R	–	√	√	0000H
F046BH		RMDF112H			–	√		
F046CH	CAN receive rule entry register 17AL ^{Note 1}	GAFIDL17L	GAFIDL17	R/W	–	√	√	0000H
F046DH		GAFIDL17H			–	√		
F046CH	CAN receive buffer register 12DL ^{Note 2}	RMDF212L	RMDF212	R	–	√	√	0000H
F046DH		RMDF212H			–	√		

Notes 1. These registers are allocated to the RAM window 0 for the CAN module (receive rule and CAN RAM test register). When setting these registers, set the RPAGE bit in the GRWCR register to 0.

2. These registers are allocated to the RAM window 1 for the CAN module (receive buffer, receive FIFO buffer, transmit/receive FIFO buffer, transmit buffer, and transmit history data). When setting these registers, set the RPAGE bit in the GRWCR register to 1.

Table 3-6. Extended SFR (2nd SFR) List (26/52)

Address	Special Function Register (2nd SFR) Name	Symbol		R/W	Manipulable Bit Range			After reset
					1-bit	8-bit	16-bit	
F046EH	CAN receive rule entry register 17AH ^{Note 1}	GAFLIDH17L	GAFLIDH17	R/W	–	√	√	0000H
F046FH		GAFLIDH17H			–	√		
F046EH	CAN receive buffer register 12DH ^{Note 2}	RMDF312L	RMDF312	R	–	√	√	0000H
F046FH		RMDF312H			–	√		
F0470H	CAN receive rule entry register 17BL ^{Note 1}	GAFLML17L	GAFLML17	R/W	–	√	√	0000H
F0471H		GAFLML17H			–	√		
F0470H	CAN receive buffer register 13AL ^{Note 2}	RMIDL13L	RMIDL13	R	–	√	√	0000H
F0471H		RMIDL13H			–	√		
F0472H	CAN receive rule entry register 17BH ^{Note 1}	GAFLMH17L	GAFLMH17	R/W	–	√	√	0000H
F0473H		GAFLMH17H			–	√		
F0472H	CAN receive buffer register 13AH ^{Note 2}	RMIDH13L	RMIDH13	R	–	√	√	0000H
F0473H		RMIDH13H			–	√		
F0474H	CAN receive rule entry register 17CL ^{Note 1}	GAFLPL17L	GAFLPL17	R/W	–	√	√	0000H
F0475H		GAFLPL17H			–	√		
F0474H	CAN receive buffer register 13BL ^{Note 2}	RMTS13L	RMTS13	R	–	√	√	0000H
F0475H		RMTS13H			–	√		
F0476H	CAN receive rule entry register 17CH ^{Note 1}	GAFLPH17L	GAFLPH17	R/W	–	√	√	0000H
F0477H		GAFLPH17H			–	√		
F0476H	CAN receive buffer register 13BH ^{Note 2}	RMPTR13L	RMPTR13	R	–	√	√	0000H
F0477H		RMPTR13H			–	√		
F0478H	CAN receive rule entry register 18AL ^{Note 1}	GAFLIDL18L	GAFLIDL18	R/W	–	√	√	0000H
F0479H		GAFLIDL18H			–	√		
F0478H	CAN receive buffer register 13CL ^{Note 2}	RMDF013L	RMDF013	R	–	√	√	0000H
F0479H		RMDF013H			–	√		
F047AH	CAN receive rule entry register 18AH ^{Note 1}	GAFLIDH18L	GAFLIDH18	R/W	–	√	√	0000H
F047BH		GAFLIDH18H			–	√		
F047AH	CAN receive buffer register 13CH ^{Note 2}	RMDF113L	RMDF113	R	–	√	√	0000H
F047BH		RMDF113H			–	√		
F047CH	CAN receive rule entry register 18BL ^{Note 1}	GAFLML18L	GAFLML18	R/W	–	√	√	0000H
F047DH		GAFLML18H			–	√		
F047CH	CAN receive buffer register 13DL ^{Note 2}	RMDF213L	RMDF213	R	–	√	√	0000H
F047DH		RMDF213H			–	√		
F047EH	CAN receive rule entry register 18BH ^{Note 1}	GAFLMH18L	GAFLMH18	R/W	–	√	√	0000H
F047FH		GAFLMH18H			–	√		
F047EH	CAN receive buffer register 13DH ^{Note 2}	RMDF313L	RMDF313	R	–	√	√	0000H
F047FH		RMDF313H			–	√		
F0480H	CAN receive rule entry register 18CL ^{Note 1}	GAFLPL18L	GAFLPL18	R/W	–	√	√	0000H
F0481H		GAFLPL18H			–	√		
F0480H	CAN receive buffer register 14AL ^{Note 2}	RMIDL14L	RMIDL14	R	–	√	√	0000H
F0481H		RMIDL14H			–	√		
F0482H	CAN receive rule entry register 18CH ^{Note 1}	GAFLPH18L	GAFLPH18	R/W	–	√	√	0000H
F0483H		GAFLPH18H			–	√		
F0482H	CAN receive buffer register 14AH ^{Note 2}	RMIDH14L	RMIDH14	R	–	√	√	0000H
F0483H		RMIDH14H			–	√		

Notes 1. These registers are allocated to the RAM window 0 for the CAN module (receive rule and CAN RAM test register). When setting these registers, set the RPAGE bit in the GRWCR register to 0.

2. These registers are allocated to the RAM window 1 for the CAN module (receive buffer, receive FIFO buffer, transmit/receive FIFO buffer, transmit buffer, and transmit history data). When setting these registers, set the RPAGE bit in the GRWCR register to 1.

Table 3-6. Extended SFR (2nd SFR) List (27/52)

Address	Special Function Register (2nd SFR) Name	Symbol		R/W	Manipulable Bit Range			After reset
					1-bit	8-bit	16-bit	
F0484H	CAN receive rule entry register 19AL ^{Note 1}	GAFIDL19L	GAFIDL19	R/W	–	√	√	0000H
F0485H		GAFIDL19H			–	√		
F0484H	CAN receive buffer register 14BL ^{Note 2}	RMTS14L	RMTS14	R	–	√	√	0000H
F0485H		RMTS14H			–	√		
F0486H	CAN receive rule entry register 19AH ^{Note 1}	GAFLIDH19L	GAFLIDH19	R/W	–	√	√	0000H
F0487H		GAFLIDH19H			–	√		
F0486H	CAN receive buffer register 14BH ^{Note 2}	RMPTR14L	RMPTR14	R	–	√	√	0000H
F0487H		RMPTR14H			–	√		
F0488H	CAN receive rule entry register 19BL ^{Note 1}	GAFML19L	GAFML19	R/W	–	√	√	0000H
F0489H		GAFML19H			–	√		
F0488H	CAN receive buffer register 14CL ^{Note 2}	RMDF014L	RMDF014	R	–	√	√	0000H
F0489H		RMDF014H			–	√		
F048AH	CAN receive rule entry register 19BH ^{Note 1}	GAFLMH19L	GAFLMH19	R/W	–	√	√	0000H
F048BH		GAFLMH19H			–	√		
F048AH	CAN receive buffer register 14CH ^{Note 2}	RMDF114L	RMDF114	R	–	√	√	0000H
F048BH		RMDF114H			–	√		
F048CH	CAN receive rule entry register 19CL ^{Note 1}	GAFPL19L	GAFPL19	R/W	–	√	√	0000H
F048DH		GAFPL19H			–	√		
F048CH	CAN receive buffer register 14DL ^{Note 2}	RMDF214L	RMDF214	R	–	√	√	0000H
F048DH		RMDF214H			–	√		
F048EH	CAN receive rule entry register 19CH ^{Note 1}	GAFPH19L	GAFPH19	R/W	–	√	√	0000H
F048FH		GAFPH19H			–	√		
F048EH	CAN receive buffer register 14DH ^{Note 2}	RMDF314L	RMDF314	R	–	√	√	0000H
F048FH		RMDF314H			–	√		
F0490H	CAN receive rule entry register 20AL ^{Note 1}	GAFIDL20L	GAFIDL20	R/W	–	√	√	0000H
F0491H		GAFIDL20H			–	√		
F0490H	CAN receive buffer register 15AL ^{Note 2}	RMIDL15L	RMIDL15	R	–	√	√	0000H
F0491H		RMIDL15H			–	√		
F0492H	CAN receive rule entry register 20AH ^{Note 1}	GAFLIDH20L	GAFLIDH20	R/W	–	√	√	0000H
F0493H		GAFLIDH20H			–	√		
F0492H	CAN receive buffer register 15AH ^{Note 2}	RMIDH15L	RMIDH15	R	–	√	√	0000H
F0493H		RMIDH15H			–	√		
F0494H	CAN receive rule entry register 20BL ^{Note 1}	GAFML20L	GAFML20	R/W	–	√	√	0000H
F0495H		GAFML20H			–	√		
F0494H	CAN receive buffer register 15BL ^{Note 2}	RMTS15L	RMTS15	R	–	√	√	0000H
F0495H		RMTS15H			–	√		
F0496H	CAN receive rule entry register 20BH ^{Note 1}	GAFLMH20L	GAFLMH20	R/W	–	√	√	0000H
F0497H		GAFLMH20H			–	√		
F0496H	CAN receive buffer register 15BH ^{Note 2}	RMPTR15L	RMPTR15	R	–	√	√	0000H
F0497H		RMPTR15H			–	√		
F0498H	CAN receive rule entry register 20CL ^{Note 1}	GAFPL20L	GAFPL20	R/W	–	√	√	0000H
F0499H		GAFPL20H			–	√		
F0498H	CAN receive buffer register 15CL ^{Note 2}	RMDF015L	RMDF015	R	–	√	√	0000H
F0499H		RMDF015H			–	√		

- Notes**
1. These registers are allocated to the RAM window 0 for the CAN module (receive rule and CAN RAM test register). When setting these registers, set the RPAGE bit in the GRWCR register to 0.
 2. These registers are allocated to the RAM window 1 for the CAN module (receive buffer, receive FIFO buffer, transmit/receive FIFO buffer, transmit buffer, and transmit history data). When setting these registers, set the RPAGE bit in the GRWCR register to 1.

Table 3-6. Extended SFR (2nd SFR) List (28/52)

Address	Special Function Register (2nd SFR) Name	Symbol		R/W	Manipulable Bit Range			After reset
					1-bit	8-bit	16-bit	
F049AH	CAN receive rule entry register 20CH ^{Note 1}	GAFLPH20L	GAFLPH20	R/W	–	√	√	0000H
F049BH		GAFLPH20H			–	√		
F049AH	CAN receive buffer register 15CH ^{Note 2}	RMDF115L	RMDF115	R	–	√	√	0000H
F049BH		RMDF115H			–	√		
F049CH	CAN receive rule entry register 21AL ^{Note 1}	GAFLIDL21L	GAFLIDL21	R/W	–	√	√	0000H
F049DH		GAFLIDL21H			–	√		
F049CH	CAN receive buffer register 15DL ^{Note 2}	RMDF215L	RMDF215	R	–	√	√	0000H
F049DH		RMDF215H			–	√		
F049EH	CAN receive rule entry register 21AH ^{Note 1}	GAFLIDH21L	GAFLIDH21	R/W	–	√	√	0000H
F049FH		GAFLIDH21H			–	√		
F049EH	CAN receive buffer register 15DH ^{Note 2}	RMDF315L	RMDF315	R	–	√	√	0000H
F049FH		RMDF315H			–	√		
F04A0H	CAN receive rule entry register 21BL ^{Note 1}	GAFLML21L	GAFLML21	R/W	–	√	√	0000H
F04A1H		GAFLML21H			–	√		
F04A0H	CAN receive buffer register 16AL ^{Note 2}	RMIDL16L	RMIDL16	R	–	√	√	0000H
F04A1H		RMIDL16H			–	√		
F04A2H	CAN receive rule entry register 21BH ^{Note 1}	GAFLMH21L	GAFLMH21	R/W	–	√	√	0000H
F04A3H		GAFLMH21H			–	√		
F04A2H	CAN receive buffer register 16AH ^{Note 2}	RMIDH16L	RMIDH16	R	–	√	√	0000H
F04A3H		RMIDH16H			–	√		
F04A4H	CAN receive rule entry register 21CL ^{Note 1}	GAFLPL21L	GAFLPL21	R/W	–	√	√	0000H
F04A5H		GAFLPL21H			–	√		
F04A4H	CAN receive buffer register 16BL ^{Note 2}	RMTS16L	RMTS16	R	–	√	√	0000H
F04A5H		RMTS16H			–	√		
F04A6H	CAN receive rule entry register 21CH ^{Note 1}	GAFLPH21L	GAFLPH21	R/W	–	√	√	0000H
F04A7H		GAFLPH21H			–	√		
F04A6H	CAN receive buffer register 16BH ^{Note 2}	RMPTR16L	RMPTR16	R	–	√	√	0000H
F04A7H		RMPTR16H			–	√		
F04A8H	CAN receive rule entry register 22AL ^{Note 1}	GAFLIDL22L	GAFLIDL22	R/W	–	√	√	0000H
F04A9H		GAFLIDL22H			–	√		
F04A8H	CAN receive buffer register 16CL ^{Note 2}	RMDF016L	RMDF016	R	–	√	√	0000H
F04A9H		RMDF016H			–	√		
F04AAH	CAN receive rule entry register 22AH ^{Note 1}	GAFLIDH22L	GAFLIDH22	R/W	–	√	√	0000H
F04ABH		GAFLIDH22G			–	√		
F04AAH	CAN receive buffer register 16CH ^{Note 2}	RMDF116L	RMDF116	R	–	√	√	0000H
F04ABH		RMDF116H			–	√		
F04ACH	CAN receive rule entry register 22BL ^{Note 1}	GAFLML22L	GAFLML22	R/W	–	√	√	0000H
F04ADH		GAFLML22H			–	√		
F04ACH	CAN receive buffer register 16DL ^{Note 2}	RMDF216L	RMDF216	R	–	√	√	0000H
F04ADH		RMDF216H			–	√		
F04AEH	CAN receive rule entry register 22BH ^{Note 1}	GAFLMH22L	GAFLMH22	R/W	–	√	√	0000H
F04AFH		GAFLMH22H			–	√		
F04AEH	CAN receive buffer register 16DH ^{Note 2}	RMDF316L	RMDF316	R	–	√	√	0000H
F04AFH		RMDF316H			–	√		

- Notes**
1. These registers are allocated to the RAM window 0 for the CAN module (receive rule and CAN RAM test register). When setting these registers, set the RPAGE bit in the GRWCR register to 0.
 2. These registers are allocated to the RAM window 1 for the CAN module (receive buffer, receive FIFO buffer, transmit/receive FIFO buffer, transmit buffer, and transmit history data). When setting these registers, set the RPAGE bit in the GRWCR register to 1.

Table 3-6. Extended SFR (2nd SFR) List (29/52)

Address	Special Function Register (2nd SFR) Name	Symbol		R/W	Manipulable Bit Range			After reset
					1-bit	8-bit	16-bit	
F04B0H	CAN receive rule entry register 22CL ^{Note 1}	GAFLPL22L	GAFLPL22	R/W	–	√	√	0000H
F04B1H		GAFLPL22H			–	√		
F04B0H	CAN receive buffer register 17AL ^{Note 2}	RMIDL17L	RMIDL17	R	–	√	√	0000H
F04B1H		RMIDL17H			–	√		
F04B2H	CAN receive rule entry register 22CH ^{Note 1}	GAFLPH22L	GAFLPH22	R/W	–	√	√	0000H
F04B3H		GAFLPH22H			–	√		
F04B2H	CAN receive buffer register 17AH ^{Note 2}	RMIDH17L	RMIDH17	R	–	√	√	0000H
F04B3H		RMIDH17H			–	√		
F04B4H	CAN receive rule entry register 23AL ^{Note 1}	GAFLIDL23L	GAFLIDL23	R/W	–	√	√	0000H
F04B5H		GAFLIDL23H			–	√		
F04B4H	CAN receive buffer register 17BL ^{Note 2}	RMTS17L	RMTS17	R	–	√	√	0000H
F04B5H		RMTS17H			–	√		
F04B6H	CAN receive rule entry register 23AH ^{Note 1}	GAFLIDH23L	GAFLIDH23	R/W	–	√	√	0000H
F04B7H		GAFLIDH23H			–	√		
F04B6H	CAN receive buffer register 17BH ^{Note 2}	RMPTR17L	RMPTR17	R	–	√	√	0000H
F04B7H		RMPTR17H			–	√		
F04B8H	CAN receive rule entry register 23BL ^{Note 1}	GAFLML23L	GAFLML23	R/W	–	√	√	0000H
F04B9H		GAFLML23H			–	√		
F04B8H	CAN receive buffer register 17CL ^{Note 2}	RMDF017L	RMDF017	R	–	√	√	0000H
F04B9H		RMDF017H			–	√		
F04BAH	CAN receive rule entry register 23BH ^{Note 1}	GAFLMH23L	GAFLMH23	R/W	–	√	√	0000H
F04BBH		GAFLMH23H			–	√		
F04BAH	CAN receive buffer register 17CH ^{Note 2}	RMDF117L	RMDF117	R	–	√	√	0000H
F04BBH		RMDF117H			–	√		
F04BCH	CAN receive rule entry register 23CL ^{Note 1}	GAFLPL23L	GAFLPL23	R/W	–	√	√	0000H
F04BDH		GAFLPL23H			–	√		
F04BCH	CAN receive buffer register 17DL ^{Note 2}	RMDF217L	RMDF217	R	–	√	√	0000H
F04BDH		RMDF217H			–	√		
F04BEH	CAN receive rule entry register 23CH ^{Note 1}	GAFLPH23L	GAFLPH23	R/W	–	√	√	0000H
F04BFH		GAFLPH23H			–	√		
F04BEH	CAN receive buffer register 17DH ^{Note 2}	RMDF317L	RMDF317	R	–	√	√	0000H
F04BFH		RMDF317H			–	√		
F04C0H	CAN receive rule entry register 24AL ^{Note 1}	GAFLIDL24L	GAFLIDL24	R/W	–	√	√	0000H
F04C1H		GAFLIDL24H			–	√		
F04C0H	CAN receive buffer register 18AL ^{Note 2}	RMIDL18L	RMIDL18	R	–	√	√	0000H
F04C1H		RMIDL18H			–	√		
F04C2H	CAN receive rule entry register 24AH ^{Note 1}	GAFLIDH24L	GAFLIDH24	R/W	–	√	√	0000H
F04C3H		GAFLIDH24H			–	√		
F04C2H	CAN receive buffer register 18AH ^{Note 2}	RMIDH18L	RMIDH18	R	–	√	√	0000H
F04C3H		RMIDH18H			–	√		
F04C4H	CAN receive rule entry register 24BL ^{Note 1}	GAFLML24L	GAFLML24	R/W	–	√	√	0000H
F04C5H		GAFLML24H			–	√		
F04C4H	CAN receive buffer register 18BL ^{Note 2}	RMTS18L	RMTS18	R	–	√	√	0000H
F04C5H		RMTS18H			–	√		

- Notes**
1. These registers are allocated to the RAM window 0 for the CAN module (receive rule and CAN RAM test register). When setting these registers, set the RPAGE bit in the GRWCR register to 0.
 2. These registers are allocated to the RAM window 1 for the CAN module (receive buffer, receive FIFO buffer, transmit/receive FIFO buffer, transmit buffer, and transmit history data). When setting these registers, set the RPAGE bit in the GRWCR register to 1.

Table 3-6. Extended SFR (2nd SFR) List (30/52)

Address	Special Function Register (2nd SFR) Name	Symbol		R/W	Manipulable Bit Range			After reset
					1-bit	8-bit	16-bit	
F04C6H	CAN receive rule entry register 24BH ^{Note 1}	GAFLMH24L	GAFLMH24	R/W	–	√	√	0000H
F04C7H		GAFLMH24H			–	√		
F04C6H	CAN receive buffer register 18BH ^{Note 2}	RMPTR18L	RMPTR18	R	–	√	√	0000H
F04C7H		RMPTR18H			–	√		
F04C8H	CAN receive rule entry register 24CL ^{Note 1}	GAFLPL24L	GAFLPL24	R/W	–	√	√	0000H
F04C9H		GAFLPL24H			–	√		
F04C8H	CAN receive buffer register 18CL ^{Note 2}	RMDF018L	RMDF018	R	–	√	√	0000H
F04C9H		RMDF018H			–	√		
F04CAH	CAN receive rule entry register 24CH ^{Note 1}	GAFLPH24L	GAFLPH24	R/W	–	√	√	0000H
F04CBH		GAFLPH24H			–	√		
F04CAH	CAN receive buffer register 18CH ^{Note 2}	RMDF118L	RMDF118	R	–	√	√	0000H
F04CBH		RMDF118H			–	√		
F04CCH	CAN receive rule entry register 25AL ^{Note 1}	GAFLIDL25L	GAFLIDL25	R/W	–	√	√	0000H
F04CDH		GAFLIDL25H			–	√		
F04CCH	CAN receive buffer register 18DL ^{Note 2}	RMDF218L	RMDF218	R	–	√	√	0000H
F04CDH		RMDF218H			–	√		
F04CEH	CAN receive rule entry register 25AH ^{Note 1}	GAFLIDH25L	GAFLIDH25	R/W	–	√	√	0000H
F04CFH		GAFLIDH25H			–	√		
F04CEH	CAN receive buffer register 18DH ^{Note 2}	RMDF318L	RMDF318	R	–	√	√	0000H
F04CFH		RMDF318H			–	√		
F04D0H	CAN receive rule entry register 25BL ^{Note 1}	GAFLML25L	GAFLML25	R/W	–	√	√	0000H
F04D1H		GAFLML25H			–	√		
F04D0H	CAN receive buffer register 19AL ^{Note 2}	RMIDL19L	RMIDL19	R	–	√	√	0000H
F04D1H		RMIDL19H			–	√		
F04D2H	CAN receive rule entry register 25BH ^{Note 1}	GAFLMH25L	GAFLMH25	R/W	–	√	√	0000H
F04D3H		GAFLMH25H			–	√		
F04D2H	CAN receive buffer register 19AH ^{Note 2}	RMIDH19L	RMIDH19	R	–	√	√	0000H
F04D3H		RMIDH19H			–	√		
F04D4H	CAN receive rule entry register 25CL ^{Note 1}	GAFLPL25L	GAFLPL25	R/W	–	√	√	0000H
F04D5H		GAFLPL25H			–	√		
F04D4H	CAN receive buffer register 19BL ^{Note 2}	RMTS19L	RMTS19	R	–	√	√	0000H
F04D5H		RMTS19H			–	√		
F04D6H	CAN receive rule entry register 25CH ^{Note 1}	GAFLPH25L	GAFLPH25	R/W	–	√	√	0000H
F04D7H		GAFLPH25H			–	√		
F04D6H	CAN receive buffer register 19BH ^{Note 2}	RMPTR19L	RMPTR19	R	–	√	√	0000H
F04D7H		RMPTR19H			–	√		
F04D8H	CAN receive rule entry register 26AL ^{Note 1}	GAFLIDL26L	GAFLIDL26	R/W	–	√	√	0000H
F04D9H		GAFLIDL26H			–	√		
F04D8H	CAN receive buffer register 19CL ^{Note 2}	RMDF019L	RMDF019	R	–	√	√	0000H
F04D9H		RMDF019H			–	√		
F04DAH	CAN receive rule entry register 26AH ^{Note 1}	GAFLIDH26L	GAFLIDH26	R/W	–	√	√	0000H
F04DBH		GAFLIDH26H			–	√		
F04DAH	CAN receive buffer register 19CH ^{Note 2}	RMDF119L	RMDF119	R	–	√	√	0000H
F04DBH		RMDF119H			–	√		

Notes 1. These registers are allocated to the RAM window 0 for the CAN module (receive rule and CAN RAM test register). When setting these registers, set the RPAGE bit in the GRWCR register to 0.

2. These registers are allocated to the RAM window 1 for the CAN module (receive buffer, receive FIFO buffer, transmit/receive FIFO buffer, transmit buffer, and transmit history data). When setting these registers, set the RPAGE bit in the GRWCR register to 1.

Table 3-6. Extended SFR (2nd SFR) List (31/52)

Address	Special Function Register (2nd SFR) Name	Symbol		R/W	Manipulable Bit Range			After reset
					1-bit	8-bit	16-bit	
F04DCH	CAN receive rule entry register 26BL ^{Note 1}	GAFMLM26L	GAFMLM26	R/W	–	√	√	0000H
F04DDH		GAFMLM26H			–	√		
F04DCH	CAN receive buffer register 19DL ^{Note 2}	RMDF219L	RMDF219	R	–	√	√	0000H
F04DDH		RMDF219H			–	√		
F04DEH	CAN receive rule entry register 26BH ^{Note 1}	GAFLMH26L	GAFLMH26	R/W	–	√	√	0000H
F04DFH		GAFLMH26H			–	√		
F04DEH	CAN receive buffer register 19DH ^{Note 2}	RMDF319L	RMDF319	R	–	√	√	0000H
F04DFH		RMDF319H			–	√		
F04E0H	CAN receive rule entry register 26CL ^{Note 1}	GAFPLP26L	GAFPLP26	R/W	–	√	√	0000H
F04E1H		GAFPLP26H			–	√		
F04E0H	CAN receive buffer register 20AL ^{Note 2}	RMIDL20L	RMIDL20	R	–	√	√	0000H
F04E1H		RMIDL20H			–	√		
F04E2H	CAN receive rule entry register 26CH ^{Note 1}	GAFLPH26L	GAFLPH26	R/W	–	√	√	0000H
F04E3H		GAFLPH26H			–	√		
F04E2H	CAN receive buffer register 20AH ^{Note 2}	RMIDH20L	RMIDH20	R	–	√	√	0000H
F04E3H		RMIDH20H			–	√		
F04E4H	CAN receive rule entry register 27AL ^{Note 1}	GAFLIDL27L	GAFLIDL27	R/W	–	√	√	0000H
F04E5H		GAFLIDL27H			–	√		
F04E4H	CAN receive buffer register 20BL ^{Note 2}	RMTS20L	RMTS20	R	–	√	√	0000H
F04E5H		RMTS20H			–	√		
F04E6H	CAN receive rule entry register 27AH ^{Note 1}	GAFLIDH27L	GAFLIDH27	R/W	–	√	√	0000H
F04E7H		GAFLIDH27H			–	√		
F04E6H	CAN receive buffer register 20BH ^{Note 2}	RMPTR20L	RMPTR20	R	–	√	√	0000H
F04E7H		RMPTR20H			–	√		
F04E8H	CAN receive rule entry register 27BL ^{Note 1}	GAFMLM27L	GAFMLM27	R/W	–	√	√	0000H
F04E9H		GAFMLM27H			–	√		
F04E8H	CAN receive buffer register 20CL ^{Note 2}	RMDF020L	RMDF020	R	–	√	√	0000H
F04E9H		RMDF020H			–	√		
F04EAH	CAN receive rule entry register 27BH ^{Note 1}	GAFLMH27L	GAFLMH27	R/W	–	√	√	0000H
F04EBH		GAFLMH27H			–	√		
F04EAH	CAN receive buffer register 20CH ^{Note 2}	RMDF120L	RMDF120	R	–	√	√	0000H
F04EBH		RMDF120H			–	√		
F04ECH	CAN receive rule entry register 27CL ^{Note 1}	GAFPLP27L	GAFPLP27	R/W	–	√	√	0000H
F04EDH		GAFPLP27H			–	√		
F04ECH	CAN receive buffer register 20DL ^{Note 2}	RMDF220L	RMDF220	R	–	√	√	0000H
F04EDH		RMDF220H			–	√		
F04EEH	CAN receive rule entry register 27CH ^{Note 1}	GAFLPH27L	GAFLPH27	R/W	–	√	√	0000H
F04EFH		GAFLPH27H			–	√		
F04EEH	CAN receive buffer register 20DH ^{Note 2}	RMDF320L	RMDF320	R	–	√	√	0000H
F04EFH		RMDF320H			–	√		
F04F0H	CAN receive rule entry register 28AL ^{Note 1}	GAFLIDL28L	GAFLIDL28	R/W	–	√	√	0000H
F04F1H		GAFLIDL28H			–	√		
F04F0H	CAN receive buffer register 21AL ^{Note 2}	RMIDL21L	RMIDL21	R	–	√	√	0000H
F04F1H		RMIDL21H			–	√		

Notes 1. These registers are allocated to the RAM window 0 for the CAN module (receive rule and CAN RAM test register). When setting these registers, set the RPAGE bit in the GRWCR register to 0.

2. These registers are allocated to the RAM window 1 for the CAN module (receive buffer, receive FIFO buffer, transmit/receive FIFO buffer, transmit buffer, and transmit history data). When setting these registers, set the RPAGE bit in the GRWCR register to 1.

Table 3-6. Extended SFR (2nd SFR) List (32/52)

Address	Special Function Register (2nd SFR) Name	Symbol		R/W	Manipulable Bit Range			After reset
					1-bit	8-bit	16-bit	
F04F2H	CAN receive rule entry register 28AH ^{Note 1}	GAFLIDH28L	GAFLIDH28	R/W	–	√	√	0000H
F04F3H		GAFLIDH28H			–	√		
F04F2H	CAN receive buffer register 21AH ^{Note 2}	RMIDH21L	RMIDH21	R	–	√	√	0000H
F04F3H		RMIDH21H			–	√		
F04F4H	CAN receive rule entry register 28BL ^{Note 1}	GAFLML28L	GAFLML28	R/W	–	√	√	0000H
F04F5H		GAFLML28H			–	√		
F04F4H	CAN receive buffer register 21BL ^{Note 2}	RMTS21L	RMTS21	R	–	√	√	0000H
F04F5H		RMTS21H			–	√		
F04F6H	CAN receive rule entry register 28BH ^{Note 1}	GAFLMH28L	GAFLMH28	R/W	–	√	√	0000H
F04F7H		GAFLMH28H			–	√		
F04F6H	CAN receive buffer register 21BH ^{Note 2}	RMPTR21L	RMPTR21	R	–	√	√	0000H
F04F7H		RMPTR21H			–	√		
F04F8H	CAN receive rule entry register 28CL ^{Note 1}	GAFLPL28L	GAFLPL28	R/W	–	√	√	0000H
F04F9H		GAFLPL28H			–	√		
F04F8H	CAN receive buffer register 21CL ^{Note 2}	RMDF021L	RMDF021	R	–	√	√	0000H
F04F9H		RMDF021H			–	√		
F04FAH	CAN receive rule entry register 28CH ^{Note 1}	GAFLPH28L	GAFLPH28	R/W	–	√	√	0000H
F04FBH		GAFLPH28H			–	√		
F04FAH	CAN receive buffer register 21CH ^{Note 2}	RMDF121L	RMDF121	R	–	√	√	0000H
F04FBH		RMDF121H			–	√		
F04FCH	CAN receive rule entry register 29AL ^{Note 1}	GAFLIDL29L	GAFLIDL29	R/W	–	√	√	0000H
F04FDH		GAFLIDL29H			–	√		
F04FCH	CAN receive buffer register 21DL ^{Note 2}	RMDF221L	RMDF221	R	–	√	√	0000H
F04FDH		RMDF221H			–	√		
F04FEH	CAN receive rule entry register 29AH ^{Note 1}	GAFLIDH29L	GAFLIDH29	R/W	–	√	√	0000H
F04FFH		GAFLIDH29H			–	√		
F04FEH	CAN receive buffer register 21DH ^{Note 2}	RMDF321L	RMDF321	R	–	√	√	0000H
F04FFH		RMDF321H			–	√		
F0500H	CAN receive rule entry register 29BL ^{Note 1}	GAFLML29L	GAFLML29	R/W	–	√	√	0000H
F0501H		GAFLML29H			–	√		
F0500H	CAN receive buffer register 22AL ^{Note 2}	RMIDL22L	RMIDL22	R	–	√	√	0000H
F0501H		RMIDL22H			–	√		
F0502H	CAN receive rule entry register 29BH ^{Note 1}	GAFLMH29L	GAFLMH29	R/W	–	√	√	0000H
F0503H		GAFLMH29H			–	√		
F0502H	CAN receive buffer register 22AH ^{Note 2}	RMIDH22L	RMIDH22	R	–	√	√	0000H
F0503H		RMIDH22H			–	√		
F0504H	CAN receive rule entry register 29CL ^{Note 1}	GAFLPL29L	GAFLPL29	R/W	–	√	√	0000H
F0505H		GAFLPL29H			–	√		
F0504H	CAN receive buffer register 22BL ^{Note 2}	RMTS22L	RMTS22	R	–	√	√	0000H
F0505H		RMTS22H			–	√		
F0506H	CAN receive rule entry register 29CH ^{Note 1}	GAFLPH29L	GAFLPH29	R/W	–	√	√	0000H
F0507H		GAFLPH29H			–	√		

Notes 1. These registers are allocated to the RAM window 0 for the CAN module (receive rule and CAN RAM test register). When setting these registers, set the RPAGE bit in the GRWCR register to 0.

2. These registers are allocated to the RAM window 1 for the CAN module (receive buffer, receive FIFO buffer, transmit/receive FIFO buffer, transmit buffer, and transmit history data). When setting these registers, set the RPAGE bit in the GRWCR register to 1.

Table 3-6. Extended SFR (2nd SFR) List (33/52)

Address	Special Function Register (2nd SFR) Name	Symbol		R/W	Manipulable Bit Range			After reset
					1-bit	8-bit	16-bit	
F0506H	CAN receive buffer register 22BH ^{Note 2}	RMPTR22L	RMPTR22	R	–	√	√	0000H
F0507H		RMPTR22H			–	√		
F0508H	CAN receive rule entry register 30AL ^{Note 1}	GAFIDL30L	GAFIDL30	R/W	–	√	√	0000H
F0509H		GAFIDL30H			–	√		
F0508H	CAN receive buffer register 22CL ^{Note 2}	RMDF022L	RMDF022	R	–	√	√	0000H
F0509H		RMDF022H			–	√		
F050AH	CAN receive rule entry register 30AH ^{Note 1}	GAFLIDH30L	GAFLIDH30	R/W	–	√	√	0000H
F050BH		GAFLIDH30H			–	√		
F050AH	CAN receive buffer register 22CH ^{Note 2}	RMDF122L	RMDF122	R	–	√	√	0000H
F050BH		RMDF122H			–	√		
F050CH	CAN receive rule entry register 30BL ^{Note 1}	GAFML30L	GAFML30	R/W	–	√	√	0000H
F050DH		GAFML30H			–	√		
F050CH	CAN receive buffer register 22DL ^{Note 2}	RMDF222L	RMDF222	R	–	√	√	0000H
F050DH		RMDF222H			–	√		
F050EH	CAN receive rule entry register 30BH ^{Note 1}	GAFLMH30L	GAFLMH30	R/W	–	√	√	0000H
F050FH		GAFLMH30H			–	√		
F050EH	CAN receive buffer register 22DH ^{Note 2}	RMDF322L	RMDF322	R	–	√	√	0000H
F050FH		RMDF322H			–	√		
F0510H	CAN receive rule entry register 30CL ^{Note 1}	GAFPL30L	GAFPL30	R/W	–	√	√	0000H
F0511H		GAFPL30H			–	√		
F0510H	CAN receive buffer register 23AL ^{Note 2}	RMIDL23L	RMIDL23	R	–	√	√	0000H
F0511H		RMIDL23H			–	√		
F0512H	CAN receive rule entry register 30CH ^{Note 1}	GAFPLH30L	GAFPLH30	R/W	–	√	√	0000H
F0513H		GAFPLH30H			–	√		
F0512H	CAN receive buffer register 23AH ^{Note 2}	RMIDH23L	RMIDH23	R	–	√	√	0000H
F0513H		RMIDH23H			–	√		
F0514H	CAN receive rule entry register 31AL ^{Note 1}	GAFIDL31L	GAFIDL31	R/W	–	√	√	0000H
F0515H		GAFIDL31H			–	√		
F0514H	CAN receive buffer register 23BL ^{Note 2}	RMTS23L	RMTS23	R	–	√	√	0000H
F0515H		RMTS23H			–	√		
F0516H	CAN receive rule entry register 31AH ^{Note 1}	GAFLIDH31L	GAFLIDH31	R/W	–	√	√	0000H
F0517H		GAFLIDH31H			–	√		
F0516H	CAN receive buffer register 23BH ^{Note 2}	RMPTR23L	RMPTR23	R	–	√	√	0000H
F0517H		RMPTR23H			–	√		
F0518H	CAN receive rule entry register 31BL ^{Note 1}	GAFML31L	GAFML31	R/W	–	√	√	0000H
F0519H		GAFML31H			–	√		
F0518H	CAN receive buffer register 23CL ^{Note 2}	RMDF023L	RMDF023	R	–	√	√	0000H
F0519H		RMDF023H			–	√		
F051AH	CAN receive rule entry register 31BH ^{Note 1}	GAFLMH31L	GAFLMH31	R/W	–	√	√	0000H
F051BH		GAFLMH31H			–	√		
F051AH	CAN receive buffer register 23CH ^{Note 2}	RMDF123L	RMDF123	R	–	√	√	0000H
F051BH		RMDF123H			–	√		
F051CH	CAN receive rule entry register 31CL ^{Note 1}	GAFPL31L	GAFPL31	R/W	–	√	√	0000H
F051DH		GAFPL31H			–	√		

Notes 1. These registers are allocated to the RAM window 0 for the CAN module (receive rule and CAN RAM test register). When setting these registers, set the RPAGE bit in the GRWCR register to 0.

2. These registers are allocated to the RAM window 1 for the CAN module (receive buffer, receive FIFO buffer, transmit/receive FIFO buffer, transmit buffer, and transmit history data). When setting these registers, set the RPAGE bit in the GRWCR register to 1.

Table 3-6. Extended SFR (2nd SFR) List (34/52)

Address	Special Function Register (2nd SFR) Name	Symbol		R/W	Manipulable Bit Range			After reset
					1-bit	8-bit	16-bit	
F051CH	CAN receive buffer register 23DL ^{Note 2}	RMDF223L	RMDF223	R	–	√	√	0000H
F051DH		RMDF223H			–	√		
F051EH	CAN receive rule entry register 31CH ^{Note 1}	GAFLPH31L	GAFLPH31	R/W	–	√	√	0000H
F051FH		GAFLPH31H			–	√		
F051EH	CAN receive buffer register 23DH ^{Note 2}	RMDF323L	RMDF323	R	–	√	√	0000H
F051FH		RMDF323H			–	√		
F0520H	CAN receive rule entry register 32AL ^{Note 1}	GAFLIDL32L	GAFLIDL32	R/W	–	√	√	0000H
F0521H		GAFLIDL32H			–	√		
F0520H	CAN receive buffer register 24AL ^{Note 2}	RMIDL24L	RMIDL24	R	–	√	√	0000H
F0521H		RMIDL24H			–	√		
F0522H	CAN receive rule entry register 32AH ^{Note 1}	GAFLIDH32L	GAFLIDH32	R/W	–	√	√	0000H
F0523H		GAFLIDH32H			–	√		
F0522H	CAN receive buffer register 24AH ^{Note 2}	RMIDH24L	RMIDH24	R	–	√	√	0000H
F0523H		RMIDH24H			–	√		
F0524H	CAN receive rule entry register 32BL ^{Note 1}	GAFLML32L	GAFLML32	R/W	–	√	√	0000H
F0525H		GAFLML32H			–	√		
F0524H	CAN receive buffer register 24BL ^{Note 2}	RMTS24L	RMTS24	R	–	√	√	0000H
F0525H		RMTS24H			–	√		
F0526H	CAN receive rule entry register 32BH ^{Note 1}	GAFLMH32L	GAFLMH32	R/W	–	√	√	0000H
F0527H		GAFLMH32H			–	√		
F0526H	CAN receive buffer register 24BH ^{Note 2}	RMPTR24L	RMPTR24	R	–	√	√	0000H
F0527H		RMPTR24H			–	√		
F0528H	CAN receive rule entry register 32CL ^{Note 1}	GAFLPL32L	GAFLPL32	R/W	–	√	√	0000H
F0529H		GAFLPL32H			–	√		
F0528H	CAN receive buffer register 24CL ^{Note 2}	RMDF024L	RMDF024	R	–	√	√	0000H
F0529H		RMDF024H			–	√		
F052AH	CAN receive rule entry register 32CH ^{Note 1}	GAFLPH32L	GAFLPH32	R/W	–	√	√	0000H
F052BH		GAFLPH32H			–	√		
F052AH	CAN receive buffer register 24CH ^{Note 2}	RMDF124L	RMDF124	R	–	√	√	0000H
F052BH		RMDF124H			–	√		
F052CH	CAN receive rule entry register 33AL ^{Note 1}	GAFLIDL33L	GAFLIDL33	R/W	–	√	√	0000H
F052DH		GAFLIDL33H			–	√		
F052CH	CAN receive buffer register 24DL ^{Note 2}	RMDF224L	RMDF224	R	–	√	√	0000H
F052DH		RMDF224H			–	√		
F052EH	CAN receive rule entry register 33AH ^{Note 1}	GAFLIDH33L	GAFLIDH33	R/W	–	√	√	0000H
F052FH		GAFLIDH33H			–	√		
F052EH	CAN receive buffer register 24DH ^{Note 2}	RMDF324L	RMDF324	R	–	√	√	0000H
F052FH		RMDF324H			–	√		
F0530H	CAN receive rule entry register 33BL ^{Note 1}	GAFLML33L	GAFLML33	R/W	–	√	√	0000H
F0531H		GAFLML33H			–	√		
F0530H	CAN receive buffer register 25AL ^{Note 2}	RMIDL25L	RMIDL25	R	–	√	√	0000H
F0531H		RMIDL25H			–	√		
F0532H	CAN receive rule entry register 33BH ^{Note 1}	GAFLMH33L	GAFLMH33	R/W	–	√	√	0000H
F0533H		GAFLMH33H			–	√		

Notes 1. These registers are allocated to the RAM window 0 for the CAN module (receive rule and CAN RAM test register). When setting these registers, set the RPAGE bit in the GRWCR register to 0.

2. These registers are allocated to the RAM window 1 for the CAN module (receive buffer, receive FIFO buffer, transmit/receive FIFO buffer, transmit buffer, and transmit history data). When setting these registers, set the RPAGE bit in the GRWCR register to 1.

Table 3-6. Extended SFR (2nd SFR) List (35/52)

Address	Special Function Register (2nd SFR) Name	Symbol		R/W	Manipulable Bit Range			After reset
					1-bit	8-bit	16-bit	
F0532H	CAN receive buffer register 25AH ^{Note 2}	RMIDH25L	RMIDH25	R	—	√	√	0000H
F0533H		RMIDH25H			—	√		
F0534H	CAN receive rule entry register 33CL ^{Note 1}	GAFLPL33L	GAFLPL33	R/W	—	√	√	0000H
F0535H		GAFLPL33H			—	√		
F0534H	CAN receive buffer register 25BL ^{Note 2}	RMTS25L	RMTS25	R	—	√	√	0000H
F0535H		RMTS25H			—	√		
F0536H	CAN receive rule entry register 33CH ^{Note 1}	GAFLPH33L	GAFLPH33	R/W	—	√	√	0000H
F0537H		GAFLPH33H			—	√		
F0536H	CAN receive buffer register 25BH ^{Note 2}	RMPTR25L	RMPTR25	R	—	√	√	0000H
F0537H		RMPTR25H			—	√		
F0538H	CAN receive rule entry register 34AL ^{Note 1}	GAFLIDL34L	GAFLIDL34	R/W	—	√	√	0000H
F0539H		GAFLIDL34H			—	√		
F0538H	CAN receive buffer register 25CL ^{Note 2}	RMDF025L	RMDF025	R	—	√	√	0000H
F0539H		RMDF025H			—	√		
F053AH	CAN receive rule entry register 34AH ^{Note 1}	GAFLIDH34L	GAFLIDH34	R/W	—	√	√	0000H
F053BH		GAFLIDH34H			—	√		
F053AH	CAN receive buffer register 25CH ^{Note 2}	RMDF125L	RMDF125	R	—	√	√	0000H
F053BH		RMDF125H			—	√		
F053CH	CAN receive rule entry register 34BL ^{Note 1}	GAFLML34L	GAFLML34	R/W	—	√	√	0000H
F053DH		GAFLML34H			—	√		
F053CH	CAN receive buffer register 25DL ^{Note 2}	RMDF225L	RMDF225	R	—	√	√	0000H
F053DH		RMDF225H			—	√		
F053EH	CAN receive rule entry register 34BH ^{Note 1}	GAFLMH34L	GAFLMH34	R/W	—	√	√	0000H
F053FH		GAFLMH34H			—	√		
F053EH	CAN receive buffer register 25DH ^{Note 2}	RMDF325L	RMDF325	R	—	√	√	0000H
F053FH		RMDF325H			—	√		
F0540H	CAN receive rule entry register 34CL ^{Note 1}	GAFLPL34L	GAFLPL34	R/W	—	√	√	0000H
F0541H		GAFLPL34H			—	√		
F0540H	CAN receive buffer register 26AL ^{Note 2}	RMIDL26L	RMIDL26	R	—	√	√	0000H
F0541H		RMIDL26H			—	√		
F0542H	CAN receive rule entry register 34CH ^{Note 1}	GAFLPH34L	GAFLPH34	R/W	—	√	√	0000H
F0543H		GAFLPH34H			—	√		
F0542H	CAN receive buffer register 26AH ^{Note 2}	RMIDH26L	RMIDH26	R	—	√	√	0000H
F0543H		RMIDH26H			—	√		
F0544H	CAN receive rule entry register 35AL ^{Note 1}	GAFLIDL35L	GAFLIDL35	R/W	—	√	√	0000H
F0545H		GAFLIDL35H			—	√		
F0544H	CAN receive buffer register 26BL ^{Note 2}	RMTS26L	RMTS26	R	—	√	√	0000H
F0545H		RMTS26H			—	√		
F0546H	CAN receive rule entry register 35AH ^{Note 1}	GAFLIDH35L	GAFLIDH35	R/W	—	√	√	0000H
F0547H		GAFLIDH35H			—	√		
F0546H	CAN receive buffer register 26BH ^{Note 2}	RMPTR26L	RMPTR26	R	—	√	√	0000H
F0547H		RMPTR26H			—	√		
F0548H	CAN receive rule entry register 35BL ^{Note 1}	GAFLML35L	GAFLML35	R/W	—	√	√	0000H
F0549H		GAFLML35H			—	√		

- Notes**
1. These registers are allocated to the RAM window 0 for the CAN module (receive rule and CAN RAM test register). When setting these registers, set the RPAGE bit in the GRWCR register to 0.
 2. These registers are allocated to the RAM window 1 for the CAN module (receive buffer, receive FIFO buffer, transmit/receive FIFO buffer, transmit buffer, and transmit history data). When setting these registers, set the RPAGE bit in the GRWCR register to 1.

Table 3-6. Extended SFR (2nd SFR) List (36/52)

Address	Special Function Register (2nd SFR) Name	Symbol		R/W	Manipulable Bit Range			After reset
					1-bit	8-bit	16-bit	
F0548H	CAN receive buffer register 26CL ^{Note 2}	RMDf026L	RMDf026	R	–	√	√	0000H
F0549H		RMDf026H			–	√		
F054AH	CAN receive rule entry register 35BH ^{Note 1}	GAFLMH35L	GAFLMH35	R/W	–	√	√	0000H
F054BH		GAFLMH35H			–	√		
F054AH	CAN receive buffer register 26CH ^{Note 2}	RMDf126L	RMDf126	R	–	√	√	0000H
F054BH		RMDf126H			–	√		
F054CH	CAN receive rule entry register 35CL ^{Note 1}	GAFLPL35L	GAFLPL35	R/W	–	√	√	0000H
F054DH		GAFLPL35H			–	√		
F054CH	CAN receive buffer register 26DL ^{Note 2}	RMDf226L	RMDf226	R	–	√	√	0000H
F054DH		RMDf226H			–	√		
F054EH	CAN receive rule entry register 35CH ^{Note 1}	GAFLPH35L	GAFLPH35	R/W	–	√	√	0000H
F054FH		GAFLPH35H			–	√		
F054EH	CAN receive buffer register 26DH ^{Note 2}	RMDf326L	RMDf326	R	–	√	√	0000H
F054FH		RMDf326H			–	√		
F0550H	CAN receive rule entry register 36AL ^{Note 1}	GAFLIDL36L	GAFLIDL36	R/W	–	√	√	0000H
F0551H		GAFLIDL36H			–	√		
F0550H	CAN receive buffer register 27AL ^{Note 2}	RMIDL27L	RMIDL27	R	–	√	√	0000H
F0551H		RMIDL27H			–	√		
F0552H	CAN receive rule entry register 36AH ^{Note 1}	GAFLIDH36L	GAFLIDH36	R/W	–	√	√	0000H
F0553H		GAFLIDH36H			–	√		
F0552H	CAN receive buffer register 27AH ^{Note 2}	RMIDH27L	RMIDH27	R	–	√	√	0000H
F0553H		RMIDH27H			–	√		
F0554H	CAN receive rule entry register 36BL ^{Note 1}	GAFLML36L	GAFLML36	R/W	–	√	√	0000H
F0555H		GAFLML36H			–	√		
F0554H	CAN receive buffer register 27BL ^{Note 2}	RMTS27L	RMTS27	R	–	√	√	0000H
F0555H		RMTS27H			–	√		
F0556H	CAN receive rule entry register 36BH ^{Note 1}	GAFLMH36L	GAFLMH36	R/W	–	√	√	0000H
F0557H		GAFLMH36H			–	√		
F0556H	CAN receive buffer register 27BH ^{Note 2}	RMPTR27L	RMPTR27	R	–	√	√	0000H
F0557H		RMPTR27H			–	√		
F0558H	CAN receive rule entry register 36CL ^{Note 1}	GAFLPL36L	GAFLPL36	R/W	–	√	√	0000H
F0559H		GAFLPL36H			–	√		
F0558H	CAN receive buffer register 27CL ^{Note 2}	RMDf027L	RMDf027	R	–	√	√	0000H
F0559H		RMDf027H			–	√		
F055AH	CAN receive rule entry register 36CH ^{Note 1}	GAFLPH36L	GAFLPH36	R/W	–	√	√	0000H
F055BH		GAFLPH36H			–	√		
F055AH	CAN receive buffer register 27CH ^{Note 2}	RMDf127L	RMDf127	R	–	√	√	0000H
F055BH		RMDf127H			–	√		
F055CH	CAN receive rule entry register 37AL ^{Note 1}	GAFLIDL37L	GAFLIDL37	R/W	–	√	√	0000H
F055DH		GAFLIDL37H			–	√		
F055CH	CAN receive buffer register 27DL ^{Note 2}	RMDf227L	RMDf227	R	–	√	√	0000H
F055DH		RMDf227H			–	√		
F055EH	CAN receive rule entry register 37AH ^{Note 1}	GAFLIDH37L	GAFLIDH37	R/W	–	√	√	0000H
F055FH		GAFLIDH37H			–	√		

- Notes**
1. These registers are allocated to the RAM window 0 for the CAN module (receive rule and CAN RAM test register). When setting these registers, set the RPAGE bit in the GRWCR register to 0.
 2. These registers are allocated to the RAM window 1 for the CAN module (receive buffer, receive FIFO buffer, transmit/receive FIFO buffer, transmit buffer, and transmit history data). When setting these registers, set the RPAGE bit in the GRWCR register to 1.

Table 3-6. Extended SFR (2nd SFR) List (37/52)

Address	Special Function Register (2nd SFR) Name	Symbol		R/W	Manipulable Bit Range			After reset
					1-bit	8-bit	16-bit	
F055EH	CAN receive buffer register 27DH ^{Note 2}	RMDF327L	RMDF327	R	–	√	√	0000H
F055FH		RMDF327H			–	√		
F0560H	CAN receive rule entry register 37BL ^{Note 1}	GAFML37L	GAFML37	R/W	–	√	√	0000H
F0561H		GAFML37H			–	√		
F0560H	CAN receive buffer register 28AL ^{Note 2}	RMIDL28L	RMIDL28	R	–	√	√	0000H
F0561H		RMIDL28H			–	√		
F0562H	CAN receive rule entry register 37BH ^{Note 1}	GAFLMH37L	GAFLMH37	R/W	–	√	√	0000H
F0563H		GAFLMH37H			–	√		
F0562H	CAN receive buffer register 28AH ^{Note 2}	RMIDH28L	RMIDH28	R	–	√	√	0000H
F0563H		RMIDH28H			–	√		
F0564H	CAN receive rule entry register 37CL ^{Note 1}	GAFPL37L	GAFPL37	R/W	–	√	√	0000H
F0565H		GAFPL37H			–	√		
F0564H	CAN receive buffer register 28BL ^{Note 2}	RMTS28L	RMTS28	R	–	√	√	0000H
F0565H		RMTS28H			–	√		
F0566H	CAN receive rule entry register 37CH ^{Note 1}	GAFPH37L	GAFPH37	R/W	–	√	√	0000H
F0567H		GAFPH37H			–	√		
F0566H	CAN receive buffer register 28BH ^{Note 2}	RMPTR28L	RMPTR28	R	–	√	√	0000H
F0567H		RMPTR28H			–	√		
F0568H	CAN receive rule entry register 38AL ^{Note 1}	GAFIDL38L	GAFIDL38	R/W	–	√	√	0000H
F0569H		GAFIDL38H			–	√		
F0568H	CAN receive buffer register 28CL ^{Note 2}	RMDF028L	RMDF028	R	–	√	√	0000H
F0569H		RMDF028H			–	√		
F056AH	CAN receive rule entry register 38AH ^{Note 1}	GAFLIDH38L	GAFLIDH38	R/W	–	√	√	0000H
F056BH		GAFLIDH38H			–	√		
F056AH	CAN receive buffer register 28CH ^{Note 2}	RMDF128L	RMDF128	R	–	√	√	0000H
F056BH		RMDF128H			–	√		
F056CH	CAN receive rule entry register 38BL ^{Note 1}	GAFML38L	GAFML38	R/W	–	√	√	0000H
F056DH		GAFML38H			–	√		
F056CH	CAN receive buffer register 28DL ^{Note 2}	RMDF228L	RMDF228	R	–	√	√	0000H
F056DH		RMDF228H			–	√		
F056EH	CAN receive rule entry register 38BH ^{Note 1}	GAFMH38L	GAFMH38	R/W	–	√	√	0000H
F056FH		GAFMH38H			–	√		
F056EH	CAN receive buffer register 28DH ^{Note 2}	RMDF328L	RMDF328	R	–	√	√	0000H
F056FH		RMDF328H			–	√		
F0570H	CAN receive rule entry register 38CL ^{Note 1}	GAFPL38L	GAFPL38	R/W	–	√	√	0000H
F0571H		GAFPL38H			–	√		
F0570H	CAN receive buffer register 29AL ^{Note 2}	RMIDL29L	RMIDL29	R	–	√	√	0000H
F0571H		RMIDL29H			–	√		
F0572H	CAN receive rule entry register 38CH ^{Note 1}	GAFPH38L	GAFPH38	R/W	–	√	√	0000H
F0573H		GAFPH38H			–	√		
F0572H	CAN receive buffer register 29AH ^{Note 2}	RMIDH29L	RMIDH29	R	–	√	√	0000H
F0573H		RMIDH29H			–	√		
F0574H	CAN receive rule entry register 39AL ^{Note 1}	GAFIDL39L	GAFIDL39	R/W	–	√	√	0000H
F0575H		GAFIDL39H			–	√		

- Notes**
1. These registers are allocated to the RAM window 0 for the CAN module (receive rule and CAN RAM test register). When setting these registers, set the RPAGE bit in the GRWCR register to 0.
 2. These registers are allocated to the RAM window 1 for the CAN module (receive buffer, receive FIFO buffer, transmit/receive FIFO buffer, transmit buffer, and transmit history data). When setting these registers, set the RPAGE bit in the GRWCR register to 1.

Table 3-6. Extended SFR (2nd SFR) List (38/52)

Address	Special Function Register (2nd SFR) Name	Symbol		R/W	Manipulable Bit Range			After reset
					1-bit	8-bit	16-bit	
F0574H	CAN receive buffer register 29BL ^{Note 2}	RMTS29L	RMTS29	R	–	√	√	0000H
F0575H		RMTS29H			–	√		
F0576H	CAN receive rule entry register 39AH ^{Note 1}	GAFLIDH39L	GAFLIDH39	R/W	–	√	√	0000H
F0577H		GAFLIDH39H			–	√		
F0576H	CAN receive buffer register 29BH ^{Note 2}	RMPTR29L	RMPTR29	R	–	√	√	0000H
F0577H		RMPTR29H			–	√		
F0578H	CAN receive rule entry register 39BL ^{Note 1}	GAFLML39L	GAFLML39	R/W	–	√	√	0000H
F0579H		GAFLML39H			–	√		
F0578H	CAN receive buffer register 29CL ^{Note 2}	RMDF029L	RMDF029	R	–	√	√	0000H
F0579H		RMDF029H			–	√		
F057AH	CAN receive rule entry register 39BH ^{Note 1}	GAFLMH39L	GAFLMH39	R/W	–	√	√	0000H
F057BH		GAFLMH39H			–	√		
F057AH	CAN receive buffer register 29CH ^{Note 2}	RMDF129L	RMDF129	R	–	√	√	0000H
F057BH		RMDF129H			–	√		
F057CH	CAN receive rule entry register 39CL ^{Note 1}	GAFLPL39L	GAFLPL39	R/W	–	√	√	0000H
F057DH		GAFLPL39H			–	√		
F057CH	CAN receive buffer register 29DL ^{Note 2}	RMDF229L	RMDF229	R	–	√	√	0000H
F057DH		RMDF229H			–	√		
F057EH	CAN receive rule entry register 39CH ^{Note 1}	GAFLPH39L	GAFLPH39	R/W	–	√	√	0000H
F057FH		GAFLPH39H			–	√		
F057EH	CAN receive buffer register 29DH ^{Note 2}	RMDF329L	RMDF329	R	–	√	√	0000H
F057FH		RMDF329H			–	√		
F0580H	CAN RAM test register 0 ^{Note 1}	RPGACC0L	RPGACC0	R/W	–	√	√	0000H
F0581H		RPGACC0H			–	√		
F0580H	CAN receive buffer register 30AL ^{Note 2}	RMIDL30L	RMIDL30	R	–	√	√	0000H
F0581H		RMIDL30H			–	√		
F0582H	CAN RAM test register 1 ^{Note 1}	RPGACC1L	RPGACC1	R/W	–	√	√	0000H
F0583H		RPGACC1H			–	√		
F0582H	CAN receive buffer register 30AH ^{Note 2}	RMIDH30L	RMIDH30	R	–	√	√	0000H
F0583H		RMIDH30H			–	√		
F0584H	CAN RAM test register 2 ^{Note 1}	RPGACC2L	RPGACC2	R/W	–	√	√	0000H
F0585H		RPGACC2H			–	√		
F0584H	CAN receive buffer register 30BL ^{Note 2}	RMTS30L	RMTS30	R	–	√	√	0000H
F0585H		RMTS30H			–	√		
F0586H	CAN RAM test register 3 ^{Note 1}	RPGACC3L	RPGACC3	R/W	–	√	√	0000H
F0587H		RPGACC3H			–	√		
F0586H	CAN receive buffer register 30BH ^{Note 2}	RMPTR30L	RMPTR30	R	–	√	√	0000H
F0587H		RMPTR30H			–	√		
F0588H	CAN RAM test register 4 ^{Note 1}	RPGACC4L	RPGACC4	R/W	–	√	√	0000H
F0589H		RPGACC4H			–	√		
F0588H	CAN receive buffer register 30CL ^{Note 2}	RMDF030L	RMDF030	R	–	√	√	0000H
F0589H		RMDF030H			–	√		
F058AH	CAN RAM test register 5 ^{Note 1}	RPGACC5L	RPGACC5	R/W	–	√	√	0000H
F058BH		RPGACC5H			–	√		

- Notes**
1. These registers are allocated to the RAM window 0 for the CAN module (receive rule and CAN RAM test register). When setting these registers, set the RPAGE bit in the GRWCR register to 0.
 2. These registers are allocated to the RAM window 1 for the CAN module (receive buffer, receive FIFO buffer, transmit/receive FIFO buffer, transmit buffer, and transmit history data). When setting these registers, set the RPAGE bit in the GRWCR register to 1.

Table 3-6. Extended SFR (2nd SFR) List (39/52)

Address	Special Function Register (2nd SFR) Name	Symbol		R/W	Manipulable Bit Range			After reset
					1-bit	8-bit	16-bit	
F058AH	CAN receive buffer register 30CH ^{Note 2}	RMDF130L	RMDF130	R	–	√	√	0000H
F058BH		RMDF130H			–	√		
F058CH	CAN RAM test register 6 ^{Note 1}	RPGACC6L	RPGACC6	R/W	–	√	√	0000H
F058DH		RPGACC6H			–	√		
F058CH	CAN receive buffer register 30DL ^{Note 2}	RMDF230L	RMDF230	R	–	√	√	0000H
F058DH		RMDF230H			–	√		
F058EH	CAN RAM test register 7 ^{Note 1}	RPGACC7L	RPGACC7	R/W	–	√	√	0000H
F058FH		RPGACC7H			–	√		
F058EH	CAN receive buffer register 30DH ^{Note 2}	RMDF330L	RMDF330	R	–	√	√	0000H
F058FH		RMDF330H			–	√		
F0590H	CAN RAM test register 8 ^{Note 1}	RPGACC8L	RPGACC8	R/W	–	√	√	0000H
F0591H		RPGACC8H			–	√		
F0590H	CAN receive buffer register 31AL ^{Note 2}	RMIDL31L	RMIDL31	R	–	√	√	0000H
F0591H		RMIDL31H			–	√		
F0592H	CAN RAM test register 9 ^{Note 1}	RPGACC9L	RPGACC9	R/W	–	√	√	0000H
F0593H		RPGACC9H			–	√		
F0592H	CAN receive buffer register 31AH ^{Note 2}	RMIDH31L	RMIDH31	R	–	√	√	0000H
F0593H		RMIDH31H			–	√		
F0594H	CAN RAM test register 10 ^{Note 1}	RPGACC10L	RPGACC10	R/W	–	√	√	0000H
F0595H		RPGACC10H			–	√		
F0594H	CAN receive buffer register 31BL ^{Note 2}	RMTS31L	RMTS31	R	–	√	√	0000H
F0595H		RMTS31H			–	√		
F0596H	CAN RAM test register 11 ^{Note 1}	RPGACC11L	RPGACC11	R/W	–	√	√	0000H
F0597H		RPGACC11H			–	√		
F0596H	CAN receive buffer register 31BH ^{Note 2}	RMPTR31L	RMPTR31	R	–	√	√	0000H
F0597H		RMPTR31H			–	√		
F0598H	CAN RAM test register 12 ^{Note 1}	RPGACC12L	RPGACC12	R/W	–	√	√	0000H
F0599H		RPGACC12H			–	√		
F0598H	CAN receive buffer register 31CL ^{Note 2}	RMDF031L	RMDF031	R	–	√	√	0000H
F0599H		RMDF031H			–	√		
F059AH	CAN RAM test register 13 ^{Note 1}	RPGACC13L	RPGACC13	R/W	–	√	√	0000H
F059BH		RPGACC13H			–	√		
F059AH	CAN receive buffer register 31CH ^{Note 2}	RMDF131L	RMDF131	R	–	√	√	0000H
F059BH		RMDF131H			–	√		
F059CH	CAN RAM test register 14 ^{Note 1}	RPGACC14L	RPGACC14	R/W	–	√	√	0000H
F059DH		RPGACC14H			–	√		
F059CH	CAN receive buffer register 31DL ^{Note 2}	RMDF231L	RMDF231	R	–	√	√	0000H
F059DH		RMDF231H			–	√		
F059EH	CAN RAM test register 15 ^{Note 1}	RPGACC15L	RPGACC15	R/W	–	√	√	0000H
F059FH		RPGACC15H			–	√		
F059EH	CAN receive buffer register 31DH ^{Note 2}	RMDF331L	RMDF331	R	–	√	√	0000H
F059FH		RMDF331H			–	√		
F05A0H	CAN RAM test register 16 ^{Note 1}	RPGACC16L	RPGACC16	R/W	–	√	√	0000H
F05A1H		RPGACC16H			–	√		

- Notes**
1. These registers are allocated to the RAM window 0 for the CAN module (receive rule and CAN RAM test register). When setting these registers, set the RPAGE bit in the GRWCR register to 0.
 2. These registers are allocated to the RAM window 1 for the CAN module (receive buffer, receive FIFO buffer, transmit/receive FIFO buffer, transmit buffer, and transmit history data). When setting these registers, set the RPAGE bit in the GRWCR register to 1.

Table 3-6. Extended SFR (2nd SFR) List (40/52)

Address	Special Function Register (2nd SFR) Name	Symbol		R/W	Manipulable Bit Range			After reset
					1-bit	8-bit	16-bit	
F05A0H	CAN receive FIFO access register 0AL <i>Note 2</i>	RFIDL0L	RFIDL0	R	–	√	√	0000H
F05A1H		RFIDL0H			–	√		
F05A2H	CAN RAM test register 17 <i>Note 1</i>	RPGACC17L	RPGACC17	R/W	–	√	√	0000H
F05A3H		RPGACC17H			–	√		
F05A2H	CAN receive FIFO access register 0AH <i>Note 2</i>	RFIDH0L	RFIDH0	R	–	√	√	0000H
F05A3H		RFIDH0H			–	√		
F05A4H	CAN RAM test register 18 <i>Note 1</i>	RPGACC18L	RPGACC18	R/W	–	√	√	0000H
F05A5H		RPGACC18H			–	√		
F05A4H	CAN receive FIFO access register 0BL <i>Note 2</i>	RFTS0L	RFTS0	R	–	√	√	0000H
F05A5H		RFTS0H			–	√		
F05A6H	CAN RAM test register 19 <i>Note 1</i>	RPGACC19L	RPGACC19	R/W	–	√	√	0000H
F05A7H		RPGACC19H			–	√		
F05A6H	CAN receive FIFO access register 0BH <i>Note 2</i>	RFPTR0L	RFPTR0	R	–	√	√	0000H
F05A7H		RFPTR0H			–	√		
F05A8H	CAN RAM test register 20 <i>Note 1</i>	RPGACC20L	RPGACC20	R/W	–	√	√	0000H
F05A9H		RPGACC20H			–	√		
F05A8H	CAN receive FIFO access register 0CL <i>Note 2</i>	RFDF00L	RFDF00	R	–	√	√	0000H
F05A9H		RFDF00H			–	√		
F05AAH	CAN RAM test register 21 <i>Note 1</i>	RPGACC21L	RPGACC21	R/W	–	√	√	0000H
F05ABH		RPGACC21H			–	√		
F05AAH	CAN receive FIFO access register 0CH <i>Note 2</i>	RFDF10L	RFDF10	R	–	√	√	0000H
F05ABH		RFDF10H			–	√		
F05ACH	CAN RAM test register 22 <i>Note 1</i>	RPGACC22L	RPGACC22	R/W	–	√	√	0000H
F05ADH		RPGACC22H			–	√		
F05ACH	CAN receive FIFO access register 0DL <i>Note 2</i>	RFDF20L	RFDF20	R	–	√	√	0000H
F05ADH		RFDF20H			–	√		
F05AEH	CAN RAM test register 23 <i>Note 1</i>	RPGACC23L	RPGACC23	R/W	–	√	√	0000H
F05AFH		RPGACC23H			–	√		
F05AEH	CAN receive FIFO access register 0DH <i>Note 2</i>	RFDF30L	RFDF30	R	–	√	√	0000H
F05AFH		RFDF30H			–	√		
F05B0H	CAN RAM test register 24 <i>Note 1</i>	RPGACC24L	RPGACC24	R/W	–	√	√	0000H
F05B1H		RPGACC24H			–	√		
F05B0H	CAN receive FIFO access register 1AL <i>Note 2</i>	RFIDL1L	RFIDL1	R	–	√	√	0000H
F05B1H		RFIDL1H			–	√		
F05B2H	CAN RAM test register 25 <i>Note 1</i>	RPGACC25L	RPGACC25	R/W	–	√	√	0000H
F05B3H		RPGACC25H			–	√		
F05B2H	CAN receive FIFO access register 1AH <i>Note 2</i>	RFIDH1L	RFIDH1	R	–	√	√	0000H
F05B3H		RFIDH1H			–	√		
F05B4H	CAN RAM test register 26 <i>Note 1</i>	RPGACC26L	RPGACC26	R/W	–	√	√	0000H
F05B5H		RPGACC26H			–	√		
F05B4H	CAN receive FIFO access register 1BL <i>Note 2</i>	RFTS1L	RFTS1	R	–	√	√	0000H
F05B5H		RFTS1H			–	√		
F05B6H	CAN RAM test register 27 <i>Note 1</i>	RPGACC27L	RPGACC27	R/W	–	√	√	0000H
F05B7H		RPGACC27H			–	√		

- Notes**
1. These registers are allocated to the RAM window 0 for the CAN module (receive rule and CAN RAM test register). When setting these registers, set the RPAGE bit in the GRWCR register to 0.
 2. These registers are allocated to the RAM window 1 for the CAN module (receive buffer, receive FIFO buffer, transmit/receive FIFO buffer, transmit buffer, and transmit history data). When setting these registers, set the RPAGE bit in the GRWCR register to 1.

Table 3-6. Extended SFR (2nd SFR) List (41/52)

Address	Special Function Register (2 nd SFR) Name	Symbol		R/W	Manipulable Bit Range			After reset
					1-bit	8-bit	16-bit	
F05B6H	CAN receive FIFO access register 1BH ^{Note 2}	RFPTR1L	RFPTR1	R	–	√	√	0000H
F05B7H		RFPTR1H			–	√		
F05B8H	CAN RAM test register 28 ^{Note 1}	RPGACC28L	RPGACC28	R/W	–	√	√	0000H
F05B9H		RPGACC28H			–	√		
F05B8H	CAN receive FIFO access register 1CL ^{Note 2}	RFDF01L	RFDF01	R	–	√	√	0000H
F05B9H		RFDF01H			–	√		
F05BAH	CAN RAM test register 29 ^{Note 1}	RPGACC29L	RPGACC29	R/W	–	√	√	0000H
F05BBH		RPGACC29H			–	√		
F05BAH	CAN receive FIFO access register 1CH ^{Note 2}	RFDF11L	RFDF11	R	–	√	√	0000H
F05BBH		RFDF11H			–	√		
F05BCH	CAN RAM test register 30 ^{Note 1}	RPGACC30L	RPGACC30	R/W	–	√	√	0000H
F05BDH		RPGACC30H			–	√		
F05BCH	CAN receive FIFO access register 1DL ^{Note 2}	RFDF21L	RFDF21	R	–	√	√	0000H
F05BDH		RFDF21H			–	√		
F05BEH	CAN RAM test register 31 ^{Note 1}	RPGACC31L	RPGACC31	R/W	–	√	√	0000H
F05BFH		RPGACC31H			–	√		
F05BEH	CAN receive FIFO access register 1DH ^{Note 2}	RFDF31L	RFDF31	R	–	√	√	0000H
F05BFH		RFDF31H			–	√		
F05C0H	CAN RAM test register 32 ^{Note 1}	RPGACC32L	RPGACC32	R/W	–	√	√	0000H
F05C1H		RPGACC32H			–	√		
F05C0H	CAN receive FIFO access register 2AL ^{Note 2}	RFIDL2L	RFIDL2	R	–	√	√	0000H
F05C1H		RFIDL2H			–	√		
F05C2H	CAN RAM test register 33 ^{Note 1}	RPGACC33L	RPGACC33	R/W	–	√	√	0000H
F05C3H		RPGACC33H			–	√		
F05C2H	CAN receive FIFO access register 2AH ^{Note 2}	RFIDH2L	RFIDH2	R	–	√	√	0000H
F05C3H		RFIDH2H			–	√		
F05C4H	CAN RAM test register 34 ^{Note 1}	RPGACC34L	RPGACC34	R/W	–	√	√	0000H
F05C5H		RPGACC34H			–	√		
F05C4H	CAN receive FIFO access register 2BL ^{Note 2}	RFTS2L	RFTS2	R	–	√	√	0000H
F05C5H		RFTS2H			–	√		
F05C6H	CAN RAM test register 35 ^{Note 1}	RPGACC35L	RPGACC35	R/W	–	√	√	0000H
F05C7H		RPGACC35H			–	√		
F05C6H	CAN receive FIFO access register 2BH ^{Note 2}	RFPTR2L	RFPTR2	R	–	√	√	0000H
F05C7H		RFPTR2H			–	√		
F05C8H	CAN RAM test register 36 ^{Note 1}	RPGACC36L	RPGACC36	R/W	–	√	√	0000H
F05C9H		RPGACC36H			–	√		
F05C8H	CAN receive FIFO access register 2CL ^{Note 2}	RFDF02L	RFDF02	R	–	√	√	0000H
F05C9H		RFDF02H			–	√		
F05CAH	CAN RAM test register 37 ^{Note 1}	RPGACC37L	RPGACC37	R/W	–	√	√	0000H
F05CBH		RPGACC37H			–	√		
F05CAH	CAN receive FIFO access register 2CH ^{Note 2}	RFDF12L	RFDF12	R	–	√	√	0000H
F05CBH		RFDF12H			–	√		
F05CCH	CAN RAM test register 38 ^{Note 1}	RPGACC38L	RPGACC38	R/W	–	√	√	0000H
F05CDH		RPGACC38H			–	√		

- Notes**
1. These registers are allocated to the RAM window 0 for the CAN module (receive rule and CAN RAM test register). When setting these registers, set the RPAGE bit in the GRWCR register to 0.
 2. These registers are allocated to the RAM window 1 for the CAN module (receive buffer, receive FIFO buffer, transmit/receive FIFO buffer, transmit buffer, and transmit history data). When setting these registers, set the RPAGE bit in the GRWCR register to 1.

Table 3-6. Extended SFR (2nd SFR) List (42/52)

Address	Special Function Register (2nd SFR) Name	Symbol		R/W	Manipulable Bit Range			After reset
					1-bit	8-bit	16-bit	
F05CCH	CAN receive FIFO access register 2DL ^{Note 2}	RFDF22L	RFDF22	R	–	√	√	0000H
F05CDH		RFDF22H			–	√		
F05CEH	CAN RAM test register 39 ^{Note 1}	RPGACC39L	RPGACC39	R/W	–	√	√	0000H
F05CFH		RPGACC39H			–	√		
F05CEH	CAN receive FIFO access register 2DH ^{Note 2}	RFDF32L	RFDF32	R	–	√	√	0000H
F05CFH		RFDF32H			–	√		
F05D0H	CAN RAM test register 40 ^{Note 1}	RPGACC40L	RPGACC40	R/W	–	√	√	0000H
F05D1H		RPGACC40H			–	√		
F05D0H	CAN receive FIFO access register 3AL ^{Note 2}	RFIDL3L	RFIDL3	R	–	√	√	0000H
F05D1H		RFIDL3H			–	√		
F05D2H	CAN RAM test register 41 ^{Note 1}	RPGACC41L	RPGACC41	R/W	–	√	√	0000H
F05D3H		RPGACC41H			–	√		
F05D2H	CAN receive FIFO access register 3AH ^{Note 2}	RFIDH3L	RFIDH3	R	–	√	√	0000H
F05D3H		RFIDH3H			–	√		
F05D4H	CAN RAM test register 42 ^{Note 1}	RPGACC42L	RPGACC42	R/W	–	√	√	0000H
F05D5H		RPGACC42H			–	√		
F05D4H	CAN receive FIFO access register 3BL ^{Note 2}	RFTS3L	RFTS3	R	–	√	√	0000H
F05D5H		RFTS3H			–	√		
F05D6H	CAN RAM test register 43 ^{Note 1}	RPGACC43L	RPGACC43	R/W	–	√	√	0000H
F05D7H		RPGACC43H			–	√		
F05D6H	CAN receive FIFO access register 3BH ^{Note 2}	RFPTR3L	RFPTR3	R	–	√	√	0000H
F05D7H		RFPTR3H			–	√		
F05D8H	CAN RAM test register 44 ^{Note 1}	RPGACC44L	RPGACC44	R/W	–	√	√	0000H
F05D9H		RPGACC44H			–	√		
F05D8H	CAN receive FIFO access register 3CL ^{Note 2}	RFDF03L	RFDF03	R	–	√	√	0000H
F05D9H		RFDF03H			–	√		
F05DAH	CAN RAM test register 45 ^{Note 1}	RPGACC45L	RPGACC45	R/W	–	√	√	0000H
F05DBH		RPGACC45H			–	√		
F05DAH	CAN receive FIFO access register 3CH ^{Note 2}	RFDF13L	RFDF13	R	–	√	√	0000H
F05DBH		RFDF13H			–	√		
F05DCH	CAN RAM test register 46 ^{Note 1}	RPGACC46L	RPGACC46	R/W	–	√	√	0000H
F05DDH		RPGACC46H			–	√		
F05DCH	CAN receive FIFO access register 3DL ^{Note 2}	RFDF23L	RFDF23	R	–	√	√	0000H
F05DDH		RFDF23H			–	√		
F05DEH	CAN RAM test register 47 ^{Note 1}	RPGACC47L	RPGACC47	R/W	–	√	√	0000H
F05DFH		RPGACC47H			–	√		
F05DEH	CAN receive FIFO access register 3DH ^{Note 2}	RFDF33L	RFDF33	R	–	√	√	0000H
F05DFH		RFDF33H			–	√		
F05E0H	CAN RAM test register 48 ^{Note 1}	RPGACC48L	RPGACC48	R/W	–	√	√	0000H
F05E1H		RPGACC48H			–	√		
F05E0H	CAN0 transmit/receive FIFO access register 0AL ^{Note 2}	CFIDL0L	CFIDL0	R/W	–	√	√	0000H
F05E1H		CFIDL0H			–	√		
F05E2H	CAN RAM test register 49 ^{Note 1}	RPGACC49L	RPGACC49	R/W	–	√	√	0000H
F05E3H		RPGACC49H			–	√		

- Notes**
1. These registers are allocated to the RAM window 0 for the CAN module (receive rule and CAN RAM test register). When setting these registers, set the RPAGE bit in the GRWCR register to 0.
 2. These registers are allocated to the RAM window 1 for the CAN module (receive buffer, receive FIFO buffer, transmit/receive FIFO buffer, transmit buffer, and transmit history data). When setting these registers, set the RPAGE bit in the GRWCR register to 1.

Table 3-6. Extended SFR (2nd SFR) List (43/52)

Address	Special Function Register (2nd SFR) Name	Symbol		R/W	Manipulable Bit Range			After reset
					1-bit	8-bit	16-bit	
F05E2H	CAN0 transmit/receive FIFO access register 0AH ^{Note 2}	CFIDH0L	CFIDH0	R/W	–	√	√	0000H
F05E3H		CFIDH0H			–	√		
F05E4H	CAN RAM test register 50 ^{Note 1}	RPGACC50L	RPGACC50	R/W	–	√	√	0000H
F05E5H		RPGACC50H			–	√		
F05E4H	CAN0 transmit/receive FIFO access register 0BL ^{Note 2}	CFTS0L	CFTS0	R	–	√	√	0000H
F05E5H		CFTS0H			–	√		
F05E6H	CAN RAM test register 51 ^{Note 1}	RPGACC51L	RPGACC51	R/W	–	√	√	0000H
F05E7H		RPGACC51H			–	√		
F05E6H	CAN0 transmit/receive FIFO access register 0BH ^{Note 2}	CFPTR0L	CFPTR0	R/W	–	√	√	0000H
F05E7H		CFPTR0H			–	√		
F05E8H	CAN RAM test register 52 ^{Note 1}	RPGACC52L	RPGACC52	R/W	–	√	√	0000H
F05E9H		RPGACC52H			–	√		
F05E8H	CAN0 transmit/receive FIFO access register 0CL ^{Note 2}	CFDF00L	CFDF00	R/W	–	√	√	0000H
F05E9H		CFDF00H			–	√		
F05EAH	CAN RAM test register 53 ^{Note 1}	RPGACC53L	RPGACC53	R/W	–	√	√	0000H
F05EBH		RPGACC53H			–	√		
F05EAH	CAN0 transmit/receive FIFO access register 0CH ^{Note 2}	CFDF10L	CFDF10	R/W	–	√	√	0000H
F05EBH		CFDF10H			–	√		
F05ECH	CAN RAM test register 54 ^{Note 1}	RPGACC54L	RPGACC54	R/W	–	√	√	0000H
F05EDH		RPGACC54H			–	√		
F05ECH	CAN0 transmit/receive FIFO access register 0DL ^{Note 2}	CFDF20L	CFDF20	R/W	–	√	√	0000H
F05EDH		CFDF20H			–	√		
F05EEH	CAN RAM test register 55 ^{Note 1}	RPGACC55L	RPGACC55	R/W	–	√	√	0000H
F05EFH		RPGACC55H			–	√		
F05EEH	CAN0 transmit/receive FIFO access register 0DH ^{Note 2}	CFDF30L	CFDF30	R/W	–	√	√	0000H
F05EFH		CFDF30H			–	√		
F05F0H	CAN RAM test register 56 ^{Note 1}	RPGACC56L	RPGACC56	R/W	–	√	√	0000H
F05F1H		RPGACC56H			–	√		
F05F0H	CAN1 transmit/receive FIFO access register 1AL ^{Note 2}	CFIDL1L	CFIDL1	R/W	–	√	√	0000H
F05F1H		CFIDL1H			–	√		
F05F2H	CAN RAM test register 57 ^{Note 1}	RPGACC57L	RPGACC57	R/W	–	√	√	0000H
F05F3H		RPGACC57H			–	√		
F05F2H	CAN1 transmit/receive FIFO access register 1AH ^{Note 2}	CFIDH1L	CFIDH1	R/W	–	√	√	0000H
F05F3H		CFIDH1H			–	√		
F05F4H	CAN RAM test register 58 ^{Note 1}	RPGACC58L	RPGACC58	R/W	–	√	√	0000H
F05F5H		RPGACC58H			–	√		
F05F4H	CAN1 transmit/receive FIFO access register 1BL ^{Note 2}	CFTS1L	CFTS1	R	–	√	√	0000H
F05F5H		CFTS1H			–	√		
F05F6H	CAN RAM test register 59 ^{Note 1}	RPGACC59L	RPGACC59	R/W	–	√	√	0000H
F05F7H		RPGACC59H			–	√		
F05F6H	CAN1 transmit/receive FIFO access register 1BH ^{Note 2}	CFPTR1L	CFPTR1	R/W	–	√	√	0000H
F05F7H		CFPTR1H			–	√		
F05F8H	CAN RAM test register 60 ^{Note 1}	RPGACC60L	RPGACC60	R/W	–	√	√	0000H
F05F9H		RPGACC60H			–	√		

- Notes**
1. These registers are allocated to the RAM window 0 for the CAN module (receive rule and CAN RAM test register). When setting these registers, set the RPAGE bit in the GRWCR register to 0.
 2. These registers are allocated to the RAM window 1 for the CAN module (receive buffer, receive FIFO buffer, transmit/receive FIFO buffer, transmit buffer, and transmit history data). When setting these registers, set the RPAGE bit in the GRWCR register to 1.

Table 3-6. Extended SFR (2nd SFR) List (44/52)

Address	Special Function Register (2nd SFR) Name	Symbol		R/W	Manipulable Bit Range			After reset
					1-bit	8-bit	16-bit	
F05F8H	CAN1 transmit/receive FIFO access register 1CL ^{Note 2}	CFDF01L	CFDF01	R/W	–	√	√	0000H
F05F9H		CFDF01H			–	√		
F05FAH	CAN RAM test register 61 ^{Note 1}	RPGACC61L	RPGACC61	R/W	–	√	√	0000H
F05FBH		RPGACC61H			–	√		
F05FAH	CAN1 transmit/receive FIFO access register 1CH ^{Note 2}	CFDF11L	CFDF11	R/W	–	√	√	0000H
F05FBH		CFDF11H			–	√		
F05FCH	CAN RAM test register 62 ^{Note 1}	RPGACC62L	RPGACC62	R/W	–	√	√	0000H
F05FDH		RPGACC62H			–	√		
F05FCH	CAN1 transmit/receive FIFO access register 1DL ^{Note 2}	CFDF21L	CFDF21	R/W	–	√	√	0000H
F05FDH		CFDF21H			–	√		
F05FEH	CAN RAM test register 63 ^{Note 1}	RPGACC63L	RPGACC63	R/W	–	√	√	0000H
F05FFH		RPGACC63H			–	√		
F05FEH	CAN1 transmit/receive FIFO access register 1DH ^{Note 2}	CFDF31L	CFDF31	R/W	–	√	√	0000H
F05FFH		CFDF31H			–	√		
F0600H	CAN RAM test register 64 ^{Note 1}	RPGACC64L	RPGACC64	R/W	–	√	√	0000H
F0601H		RPGACC64H			–	√		
F0600H	CAN0 transmit buffer register 0AL ^{Note 2}	TMIDL0L	TMIDL0	R/W	–	√	√	0000H
F0601H		TMIDL0H			–	√		
F0602H	CAN RAM test register 65 ^{Note 1}	RPGACC65L	RPGACC65	R/W	–	√	√	0000H
F0603H		RPGACC65H			–	√		
F0602H	CAN0 transmit buffer register 0AH ^{Note 2}	TMIDH0L	TMIDH0	R/W	–	√	√	0000H
F0603H		TMIDH0H			–	√		
F0604H	CAN RAM test register 66 ^{Note 1}	RPGACC66L	RPGACC66	R/W	–	√	√	0000H
F0605H		RPGACC66H			–	√		
F0606H	CAN RAM test register 67 ^{Note 1}	RPGACC67L	RPGACC67	R/W	–	√	√	0000H
F0607H		RPGACC67H			–	√		
F0606H	CAN0 transmit buffer register 0BH ^{Note 2}	TMPTR0L	TMPTR0	R/W	–	√	√	0000H
F0607H		TMPTR0H			–	√		
F0608H	CAN RAM test register 68 ^{Note 1}	RPGACC68L	RPGACC68	R/W	–	√	√	0000H
F0609H		RPGACC68H			–	√		
F0608H	CAN0 transmit buffer register 0CL ^{Note 2}	TMDF00L	TMDF00	R/W	–	√	√	0000H
F0609H		TMDF00H			–	√		
F060AH	CAN RAM test register 69 ^{Note 1}	RPGACC69L	RPGACC69	R/W	–	√	√	0000H
F060BH		RPGACC69H			–	√		
F060AH	CAN0 transmit buffer register 0CH ^{Note 2}	TMDF10L	TMDF10	R/W	–	√	√	0000H
F060BH		TMDF10H			–	√		
F060CH	CAN RAM test register 70 ^{Note 1}	RPGACC70L	RPGACC70	R/W	–	√	√	0000H
F060DH		RPGACC70H			–	√		
F060CH	CAN0 transmit buffer register 0DL ^{Note 2}	TMDF20L	TMDF20	R/W	–	√	√	0000H
F060DH		TMDF20H			–	√		
F060EH	CAN RAM test register 71 ^{Note 1}	RPGACC71L	RPGACC71	R/W	–	√	√	0000H
F060FH		RPGACC71H			–	√		
F060EH	CAN0 transmit buffer register 0DH ^{Note 2}	TMDF30L	TMDF30	R/W	–	√	√	0000H
F060FH		TMDF30H			–	√		

- Notes**
1. These registers are allocated to the RAM window 0 for the CAN module (receive rule and CAN RAM test register). When setting these registers, set the RPAGE bit in the GRWCR register to 0.
 2. These registers are allocated to the RAM window 1 for the CAN module (receive buffer, receive FIFO buffer, transmit/receive FIFO buffer, transmit buffer, and transmit history data). When setting these registers, set the RPAGE bit in the GRWCR register to 1.

Table 3-6. Extended SFR (2nd SFR) List (45/52)

Address	Special Function Register (2nd SFR) Name	Symbol		R/W	Manipulable Bit Range			After reset
					1-bit	8-bit	16-bit	
F0610H	CAN RAM test register 72 ^{Note 1}	RPGACC72L	RPGACC72	R/W	–	√	√	0000H
F0611H		RPGACC72H			–	√		
F0610H	CAN0 transmit buffer register 1AL ^{Note 2}	TMIDL1L	TMIDL1	R/W	–	√	√	0000H
F0611H		TMIDL1H			–	√		
F0612H	CAN RAM test register 73 ^{Note 1}	RPGACC73L	RPGACC73	R/W	–	√	√	0000H
F0613H		RPGACC73H			–	√		
F0612H	CAN0 transmit buffer register 1AH ^{Note 2}	TMIDH1L	TMIDH1	R/W	–	√	√	0000H
F0613H		TMIDH1H			–	√		
F0614H	CAN RAM test register 74 ^{Note 1}	RPGACC74L	RPGACC74	R/W	–	√	√	0000H
F0615H		RPGACC74H			–	√		
F0616H	CAN RAM test register 75 ^{Note 1}	RPGACC75L	RPGACC75	R/W	–	√	√	0000H
F0617H		RPGACC75H			–	√		
F0616H	CAN0 transmit buffer register 1BH ^{Note 2}	TMPTR1L	TMPTR1	R/W	–	√	√	0000H
F0617H		TMPTR1H			–	√		
F0618H	CAN RAM test register 76 ^{Note 1}	RPGACC76L	RPGACC76	R/W	–	√	√	0000H
F0619H		RPGACC76H			–	√		
F0618H	CAN0 transmit buffer register 1CL ^{Note 2}	TMDF01L	TMDF01	R/W	–	√	√	0000H
F0619H		TMDF01H			–	√		
F061AH	CAN RAM test register 77 ^{Note 1}	RPGACC77L	RPGACC77	R/W	–	√	√	0000H
F061BH		RPGACC77H			–	√		
F061AH	CAN0 transmit buffer register 1CH ^{Note 2}	TMDF11L	TMDF11	R/W	–	√	√	0000H
F061BH		TMDF11H			–	√		
F061CH	CAN RAM test register 78 ^{Note 1}	RPGACC78L	RPGACC78	R/W	–	√	√	0000H
F061DH		RPGACC78H			–	√		
F061CH	CAN0 transmit buffer register 1DL ^{Note 2}	TMDF21L	TMDF21	R/W	–	√	√	0000H
F061DH		TMDF21H			–	√		
F061EH	CAN RAM test register 79 ^{Note 1}	RPGACC79L	RPGACC79	R/W	–	√	√	0000H
F061FH		RPGACC79H			–	√		
F061EH	CAN0 transmit buffer register 1DH ^{Note 2}	TMDF31L	TMDF31	R/W	–	√	√	0000H
F061FH		TMDF31H			–	√		
F0620H	CAN RAM test register 80 ^{Note 1}	RPGACC80L	RPGACC80	R/W	–	√	√	0000H
F0621H		RPGACC80H			–	√		
F0620H	CAN0 transmit buffer register 2AL ^{Note 2}	TMIDL2L	TMIDL2	R/W	–	√	√	0000H
F0621H		TMIDL2H			–	√		
F0622H	CAN RAM test register 81 ^{Note 1}	RPGACC81L	RPGACC81	R/W	–	√	√	0000H
F0623H		RPGACC81H			–	√		
F0622H	CAN0 transmit buffer register 2AH ^{Note 2}	TMIDH2L	TMIDH2	R/W	–	√	√	0000H
F0623H		TMIDH2H			–	√		
F0624H	CAN RAM test register 82 ^{Note 1}	RPGACC82L	RPGACC82	R/W	–	√	√	0000H
F0625H		RPGACC82H			–	√		
F0626H	CAN RAM test register 83 ^{Note 1}	RPGACC83L	RPGACC83	R/W	–	√	√	0000H
F0627H		RPGACC83H			–	√		
F0626H	CAN0 transmit buffer register 2BH ^{Note 2}	TMPTR2L	TMPTR2	R/W	–	√	√	0000H
F0627H		TMPTR2H			–	√		

- Notes**
1. These registers are allocated to the RAM window 0 for the CAN module (receive rule and CAN RAM test register). When setting these registers, set the RPAGE bit in the GRWCR register to 0.
 2. These registers are allocated to the RAM window 1 for the CAN module (receive buffer, receive FIFO buffer, transmit/receive FIFO buffer, transmit buffer, and transmit history data). When setting these registers, set the RPAGE bit in the GRWCR register to 1.

Table 3-6. Extended SFR (2nd SFR) List (46/52)

Address	Special Function Register (2nd SFR) Name	Symbol		R/W	Manipulable Bit Range			After reset
					1-bit	8-bit	16-bit	
F0628H	CAN RAM test register 84 ^{Note 1}	RPGACC84L	RPGACC84	R/W	–	√	√	0000H
F0629H		RPGACC84H			–	√		
F0628H	CAN0 transmit buffer register 2CL ^{Note 2}	TMDF02L	TMDF02	R/W	–	√	√	0000H
F0629H		TMDF02H			–	√		
F062AH	CAN RAM test register 85 ^{Note 1}	RPGACC85L	RPGACC85	R/W	–	√	√	0000H
F062BH		RPGACC85H			–	√		
F062AH	CAN0 transmit buffer register 2CH ^{Note 2}	TMDF12L	TMDF12	R/W	–	√	√	0000H
F062BH		TMDF12H			–	√		
F062CH	CAN RAM test register 86 ^{Note 1}	RPGACC86L	RPGACC86	R/W	–	√	√	0000H
F062DH		RPGACC86H			–	√		
F062CH	CAN0 transmit buffer register 2DL ^{Note 2}	TMDF22L	TMDF22	R/W	–	√	√	0000H
F062DH		TMDF22H			–	√		
F062EH	CAN RAM test register 87 ^{Note 1}	RPGACC87L	RPGACC87	R/W	–	√	√	0000H
F062FH		RPGACC87H			–	√		
F062EH	CAN0 transmit buffer register 2DH ^{Note 2}	TMDF32L	TMDF32	R/W	–	√	√	0000H
F062FH		TMDF32H			–	√		
F0630H	CAN RAM test register 88 ^{Note 1}	RPGACC88L	RPGACC88	R/W	–	√	√	0000H
F0631H		RPGACC88H			–	√		
F0630H	CAN0 transmit buffer register 3AL ^{Note 2}	TMIDL3L	TMIDL3	R/W	–	√	√	0000H
F0631H		TMIDL3H			–	√		
F0632H	CAN RAM test register 89 ^{Note 1}	RPGACC89L	RPGACC89	R/W	–	√	√	0000H
F0633H		RPGACC89H			–	√		
F0632H	CAN0 transmit buffer register 3AH ^{Note 2}	TMIDH3L	TMIDH3	R/W	–	√	√	0000H
F0633H		TMIDH3H			–	√		
F0634H	CAN RAM test register 90 ^{Note 1}	RPGACC90L	RPGACC90	R/W	–	√	√	0000H
F0635H		RPGACC90H			–	√		
F0636H	CAN RAM test register 91 ^{Note 1}	RPGACC91L	RPGACC91	R/W	–	√	√	0000H
F0637H		RPGACC91H			–	√		
F0636H	CAN0 transmit buffer register 3BH ^{Note 2}	TMPTR3L	TMPTR3	R/W	–	√	√	0000H
F0637H		TMPTR3H			–	√		
F0638H	CAN RAM test register 92 ^{Note 1}	RPGACC92L	RPGACC92	R/W	–	√	√	0000H
F0639H		RPGACC92H			–	√		
F0638H	CAN0 transmit buffer register 3CL ^{Note 2}	TMDF03L	TMDF03	R/W	–	√	√	0000H
F0639H		TMDF03H			–	√		
F063AH	CAN RAM test register 93 ^{Note 1}	RPGACC93L	RPGACC93	R/W	–	√	√	0000H
F063BH		RPGACC93H			–	√		
F063AH	CAN0 transmit buffer register 3CH ^{Note 2}	TMDF13L	TMDF13	R/W	–	√	√	0000H
F063BH		TMDF13H			–	√		
F063CH	CAN RAM test register 94 ^{Note 1}	RPGACC94L	RPGACC94	R/W	–	√	√	0000H
F063DH		RPGACC94H			–	√		
F063CH	CAN0 transmit buffer register 3DL ^{Note 2}	TMDF23L	TMDF23	R/W	–	√	√	0000H
F063DH		TMDF23H			–	√		
F063EH	CAN RAM test register 95 ^{Note 1}	RPGACC95L	RPGACC95	R/W	–	√	√	0000H
F063FH		RPGACC95H			–	√		

- Notes**
1. These registers are allocated to the RAM window 0 for the CAN module (receive rule and CAN RAM test register). When setting these registers, set the RPAGE bit in the GRWCR register to 0.
 2. These registers are allocated to the RAM window 1 for the CAN module (receive buffer, receive FIFO buffer, transmit/receive FIFO buffer, transmit buffer, and transmit history data). When setting these registers, set the RPAGE bit in the GRWCR register to 1.

Table 3-6. Extended SFR (2nd SFR) List (47/52)

Address	Special Function Register (2nd SFR) Name	Symbol		R/W	Manipulable Bit Range			After reset
					1-bit	8-bit	16-bit	
F063EH	CAN0 transmit buffer register 3DH ^{Note 2}	TMDF33L	TMDF33	R/W	–	√	√	0000H
F063FH		TMDF33H			–	√		
F0640H	CAN RAM test register 96 ^{Note 1}	RPGACC96L	RPGACC96	R/W	–	√	√	0000H
F0641H		RPGACC96H			–	√		
F0640H	CAN1 transmit buffer register 4AL ^{Note 2}	TMIDL4L	TMIDL4	R/W	–	√	√	0000H
F0641H		TMIDL4H			–	√		
F0642H	CAN RAM test register 97 ^{Note 1}	RPGACC97L	RPGACC97	R/W	–	√	√	0000H
F0643H		RPGACC97H			–	√		
F0642H	CAN1 transmit buffer register 4AH ^{Note 2}	TMIDH4L	TMIDH4	R/W	–	√	√	0000H
F0643H		TMIDH4H			–	√		
F0644H	CAN RAM test register 98 ^{Note 1}	RPGACC98L	RPGACC98	R/W	–	√	√	0000H
F0645H		RPGACC98H			–	√		
F0646H	CAN RAM test register 99 ^{Note 1}	RPGACC99L	RPGACC99	R/W	–	√	√	0000H
F0647H		RPGACC99H			–	√		
F0646H	CAN1 transmit buffer register 4BH ^{Note 2}	TMPTR4L	TMPTR4	R/W	–	√	√	0000H
F0647H		TMPTR4H			–	√		
F0648H	CAN RAM test register 100 ^{Note 1}	RPGACC100L	RPGACC100	R/W	–	√	√	0000H
F0649H		RPGACC100H			–	√		
F0648H	CAN1 transmit buffer register 4CL ^{Note 2}	TMDF04L	TMDF04	R/W	–	√	√	0000H
F0649H		TMDF04H			–	√		
F064AH	CAN RAM test register 101 ^{Note 1}	RPGACC101L	RPGACC101	R/W	–	√	√	0000H
F064BH		RPGACC101H			–	√		
F064AH	CAN1 transmit buffer register 4CH ^{Note 2}	TMDF14L	TMDF14	R/W	–	√	√	0000H
F064BH		TMDF14H			–	√		
F064CH	CAN RAM test register 102 ^{Note 1}	RPGACC102L	RPGACC102	R/W	–	√	√	0000H
F064DH		RPGACC102H			–	√		
F064CH	CAN1 transmit buffer register 4DL ^{Note 2}	TMDF24L	TMDF24	R/W	–	√	√	0000H
F064DH		TMDF24H			–	√		
F064EH	CAN RAM test register 103 ^{Note 1}	RPGACC103L	RPGACC103	R/W	–	√	√	0000H
F064FH		RPGACC103H			–	√		
F064EH	CAN1 transmit buffer register 4DH ^{Note 2}	TMDF34L	TMDF34	R/W	–	√	√	0000H
F064FH		TMDF34H			–	√		
F0650H	CAN RAM test register 104 ^{Note 1}	RPGACC104L	RPGACC104	R/W	–	√	√	0000H
F0651H		RPGACC104H			–	√		
F0650H	CAN1 transmit buffer register 5AL ^{Note 2}	TMIDL5L	TMIDL5	R/W	–	√	√	0000H
F0651H		TMIDL5H			–	√		
F0652H	CAN RAM test register 105 ^{Note 1}	RPGACC105L	RPGACC105	R/W	–	√	√	0000H
F0653H		RPGACC105H			–	√		
F0652H	CAN1 transmit buffer register 5AH ^{Note 2}	TMIDH5L	TMIDH5	R/W	–	√	√	0000H
F0653H		TMIDH5H			–	√		
F0654H	CAN RAM test register 106 ^{Note 1}	RPGACC106L	RPGACC106	R/W	–	√	√	0000H
F0655H		RPGACC106H			–	√		
F0656H	CAN RAM test register 107 ^{Note 1}	RPGACC107L	RPGACC107	R/W	–	√	√	0000H
F0657H		RPGACC107H			–	√		

Notes 1. These registers are allocated to the RAM window 0 for the CAN module (receive rule and CAN RAM test register). When setting these registers, set the RPAGE bit in the GRWCR register to 0.

2. These registers are allocated to the RAM window 1 for the CAN module (receive buffer, receive FIFO buffer, transmit/receive FIFO buffer, transmit buffer, and transmit history data). When setting these registers, set the RPAGE bit in the GRWCR register to 1.

Table 3-6. Extended SFR (2nd SFR) List (48/52)

Address	Special Function Register (2nd SFR) Name	Symbol		R/W	Manipulable Bit Range			After reset
					1-bit	8-bit	16-bit	
F0656H	CAN1 transmit buffer register 5BH ^{Note 2}	TMPTR5L	TMPTR5	R/W	–	√	√	0000H
F0657H		TMPTR5H			–	√		
F0658H	CAN RAM test register 108 ^{Note 1}	RPGACC108L	RPGACC108	R/W	–	√	√	0000H
F0659H		RPGACC108H			–	√		
F0658H	CAN1 transmit buffer register 5CL ^{Note 2}	TMDF05L	TMDF05	R/W	–	√	√	0000H
F0659H		TMDF05H			–	√		
F065AH	CAN RAM test register 109 ^{Note 1}	RPGACC109L	RPGACC109	R/W	–	√	√	0000H
F065BH		RPGACC109H			–	√		
F065AH	CAN1 transmit buffer register 5CH ^{Note 2}	TMDF15L	TMDF15	R/W	–	√	√	0000H
F065BH		TMDF15H			–	√		
F065CH	CAN RAM test register 110 ^{Note 1}	RPGACC110L	RPGACC110	R/W	–	√	√	0000H
F065DH		RPGACC110H			–	√		
F065CH	CAN1 transmit buffer register 5DL ^{Note 2}	TMDF25L	TMDF25	R/W	–	√	√	0000H
F065DH		TMDF25H			–	√		
F065EH	CAN RAM test register 111 ^{Note 1}	RPGACC111L	RPGACC111	R/W	–	√	√	0000H
F065FH		RPGACC111H			–	√		
F065EH	CAN1 transmit buffer register 5DH ^{Note 2}	TMDF35L	TMDF35	R/W	–	√	√	0000H
F065FH		TMDF35H			–	√		
F0660H	CAN RAM test register 112 ^{Note 1}	RPGACC112L	RPGACC112	R/W	–	√	√	0000H
F0661H		RPGACC112H			–	√		
F0660H	CAN1 transmit buffer register 6AL ^{Note 2}	TMIDL6L	TMIDL6	R/W	–	√	√	0000H
F0661H		TMIDL6H			–	√		
F0662H	CAN RAM test register 113 ^{Note 1}	RPGACC113L	RPGACC113	R/W	–	√	√	0000H
F0663H		RPGACC113H			–	√		
F0662H	CAN1 transmit buffer register 6AH ^{Note 2}	TMIDH6L	TMIDH6	R/W	–	√	√	0000H
F0663H		TMIDH6H			–	√		
F0664H	CAN RAM test register 114 ^{Note 1}	RPGACC114L	RPGACC114	R/W	–	√	√	0000H
F0665H		RPGACC114H			–	√		
F0666H	CAN RAM test register 115 ^{Note 1}	RPGACC115L	RPGACC115	R/W	–	√	√	0000H
F0667H		RPGACC115H			–	√		
F0666H	CAN1 transmit buffer register 6BH ^{Note 2}	TMPTR6L	TMPTR6	R/W	–	√	√	0000H
F0667H		TMPTR6H			–	√		
F0668H	CAN RAM test register 116 ^{Note 1}	RPGACC116L	RPGACC116	R/W	–	√	√	0000H
F0669H		RPGACC116H			–	√		
F0668H	CAN1 transmit buffer register 6CL ^{Note 2}	TMDF06L	TMDF06	R/W	–	√	√	0000H
F0669H		TMDF06H			–	√		
F066AH	CAN RAM test register 117 ^{Note 1}	RPGACC117L	RPGACC117	R/W	–	√	√	0000H
F066BH		RPGACC117H			–	√		
F066AH	CAN1 transmit buffer register 6CH ^{Note 2}	TMDF16L	TMDF16	R/W	–	√	√	0000H
F066BH		TMDF16H			–	√		
F066CH	CAN RAM test register 118 ^{Note 1}	RPGACC118L	RPGACC118	R/W	–	√	√	0000H
F066DH		RPGACC118H			–	√		
F066CH	CAN1 transmit buffer register 6DL ^{Note 2}	TMDF26L	TMDF26	R/W	–	√	√	0000H
F066DH		TMDF26H			–	√		

Notes 1. These registers are allocated to the RAM window 0 for the CAN module (receive rule and CAN RAM test register). When setting these registers, set the RPAGE bit in the GRWCR register to 0.

2. These registers are allocated to the RAM window 1 for the CAN module (receive buffer, receive FIFO buffer, transmit/receive FIFO buffer, transmit buffer, and transmit history data). When setting these registers, set the RPAGE bit in the GRWCR register to 1.

Table 3-6. Extended SFR (2nd SFR) List (49/52)

Address	Special Function Register (2nd SFR) Name	Symbol		R/W	Manipulable Bit Range			After reset
					1-bit	8-bit	16-bit	
F066EH	CAN RAM test register 119 ^{Note 1}	RPGACC119L	RPGACC119	R/W	–	√	√	0000H
F066FH		RPGACC119H			–	√		
F066EH	CAN1 transmit buffer register 6DH ^{Note 2}	TMDF36L	TMDF36	R/W	–	√	√	0000H
F066FH		TMDF36H			–	√		
F0670H	CAN RAM test register 120 ^{Note 1}	RPGACC120L	RPGACC120	R/W	–	√	√	0000H
F0671H		RPGACC120H			–	√		
F0670H	CAN1 transmit buffer register 7AL ^{Note 2}	TMIDL7L	TMIDL7	R/W	–	√	√	0000H
F0671H		TMIDL7H			–	√		
F0672H	CAN RAM test register 121 ^{Note 1}	RPGACC121L	RPGACC121	R/W	–	√	√	0000H
F0673H		RPGACC121H			–	√		
F0672H	CAN1 transmit buffer register 7AH ^{Note 2}	TMIDH7L	TMIDH7	R/W	–	√	√	0000H
F0673H		TMIDH7H			–	√		
F0674H	CAN RAM test register 122 ^{Note 1}	RPGACC122L	RPGACC122	R/W	–	√	√	0000H
F0675H		RPGACC122H			–	√		
F0676H	CAN RAM test register 123 ^{Note 1}	RPGACC123L	RPGACC123	R/W	–	√	√	0000H
F0677H		RPGACC123H			–	√		
F0676H	CAN1 transmit buffer register 7BH ^{Note 2}	TMPTR7L	TMPTR7	R/W	–	√	√	0000H
F0677H		TMPTR7H			–	√		
F0678H	CAN RAM test register 124 ^{Note 1}	RPGACC124L	RPGACC124	R/W	–	√	√	0000H
F0679H		RPGACC124H			–	√		
F0678H	CAN1 transmit buffer register 7CL ^{Note 2}	TMDF07L	TMDF07	R/W	–	√	√	0000H
F0679H		TMDF07H			–	√		
F067AH	CAN RAM test register 125 ^{Note 1}	RPGACC125L	RPGACC125	R/W	–	√	√	0000H
F067BH		RPGACC125H			–	√		
F067AH	CAN1 transmit buffer register 7CH ^{Note 2}	TMDF17L	TMDF17	R/W	–	√	√	0000H
F067BH		TMDF17H			–	√		
F067CH	CAN RAM test register 126 ^{Note 1}	RPGACC126L	RPGACC126	R/W	–	√	√	0000H
F067DH		RPGACC126H			–	√		
F067CH	CAN1 transmit buffer register 7DL ^{Note 2}	TMDF27L	TMDF27	R/W	–	√	√	0000H
F067DH		TMDF27H			–	√		
F067EH	CAN RAM test register 127 ^{Note 1}	RPGACC127L	RPGACC127	R/W	–	√	√	0000H
F067FH		RPGACC127H			–	√		
F067EH	CAN1 transmit buffer register 7DH ^{Note 2}	TMDF37L	TMDF37	R/W	–	√	√	0000H
F067FH		TMDF37H			–	√		
F0680H	CAN0 transmit history buffer access register ^{Note 2}	THLACC0L	THLACC0	R	–	√	√	0000H
F0681H		THLACC0H			–	√		
F0684H	CAN1 transmit history buffer access register ^{Note 2}	THLACC1L	THLACC1	R	–	√	√	0000H
F0685H		THLACC1H			–	√		
F06C1H	LIN wakeup baud rate select register	LWBR0/LWBR1/LWBR2		R/W	–	√	–	00H
F06C2H	LIN/UART baud rate prescaler 0 register	LBRP00/LBRP10/ LBRP20	LBRP0/ LBRP1/ LBRP2	R/W	–	√	√	00H
F06C3H	LIN/UART baud rate prescaler 1 register	LBRP01/LBRP11/ LBRP21		R/W	–	√	–	00H

- Notes**
1. These registers are allocated to the RAM window 0 for the CAN module (receive rule and CAN RAM test register). When setting these registers, set the RPAGE bit in the GRWCR register to 0.
 2. These registers are allocated to the RAM window 1 for the CAN module (receive buffer, receive FIFO buffer, transmit/receive FIFO buffer, transmit buffer, and transmit history data). When setting these registers, set the RPAGE bit in the GRWCR register to 1.

Table 3-6. Extended SFR (2nd SFR) List (50/52)

Address	Special Function Register (2nd SFR) Name	Symbol		R/W	Manipulable Bit Range			After reset
					1-bit	8-bit	16-bit	
F06C4H	LIN self-test control register	LSTC0/LSTC1/LSTC2		R/W	–	√	–	00H
F06C5H	UART standby control register	LUSC0/LUSC1/LUSC2		R/W	–	√	–	00H
F06C8H	LIN/UART mode register	LMD0/LMD1/LMD2		R/W	–	√	–	00H
F06C9H	LIN/UART break field configuration register/ UART configuration register	LBFC0/LBFC1/LBFC2		R/W	–	√	–	00H
F06CAH	LIN/UART space configuration register	LSC0/LSC1/LSC2		R/W	–	√	–	00H
F06CBH	LIN wakeup configuration register	LWUP0/LWUP1/LWUP2		R/W	–	√	–	00H
F06CCH	LIN interrupt enable register	LIE0/LIE1/LIE2		R/W	–	√	–	00H
F06CDH	LIN/UART error detection enable register	LEDE0/LEDE1/LEDE2		R/W	–	√	–	00H
F06CEH	LIN/UART control register	LCUC0/LCUC1/LCUC2		R/W	–	√	–	00H
F06D0H	LIN/UART transmit control register	LTRC0/LTRC1/LTRC2		R/W	–	√	–	00H
F06D1H	LIN/UART mode status register	LMST0/LMST1/LMST2		R	–	√	–	00H
F06D2H	LIN/UART status register	LST0/LST1/LST2		R/W	–	√	–	00H
F06D3H	LIN/UART error status register	LEST0/LEST1/LEST2		R/W	–	√	–	00H
F06D4H	LIN/UART data field configuration register	LDFC0/LDFC1/LDFC2		R/W	–	√	–	00H
F06D5H	LIN/UART ID buffer register	LIDB0/LIDB1/LIDB2		R/W	–	√	–	00H
F06D6H	LIN checksum buffer register	LCBR0/LCBR1/LCBR2		R/W	–	√	–	00H
F06D7H	UART data buffer 0 register	LUDB00/LUDB10/LUDB20		R/W	–	√	–	00H
F06D8H	LIN/UART data buffer 1 register	LDB01/LDB11/LDB21		R/W	–	√	–	00H
F06D9H	LIN/UART data buffer 2 register	LDB02/LDB12/LDB22		R/W	–	√	–	00H
F06DAH	LIN/UART data buffer 3 register	LDB03/LDB13/LDB23		R/W	–	√	–	00H
F06DBH	LIN/UART data buffer 4 register	LDB04/LDB14/LDB24		R/W	–	√	–	00H
F06DCH	LIN/UART data buffer 5 register	LDB05/LDB15/LDB25		R/W	–	√	–	00H
F06DDH	LIN/UART data buffer 6 register	LDB06/LDB16/LDB26		R/W	–	√	–	00H
F06DEH	LIN/UART data buffer 7 register	LDB07/LDB17/LDB27		R/W	–	√	–	00H
F06DFH	LIN/UART data buffer 8 register	LDB08/LDB18/LDB28		R/W	–	√	–	00H
F06E0H	UART operation enable register	LUOER0/LUOER1/LUOER2		R/W	–	√	–	00H
F06E1H	UART option register 1	LUOR01/LUOR11/LUOR21		R/W	–	√	–	00H
F06E4H	UART transmit data register	LUTDR0L/ LUTDR1L/ LUTDR2L	LUTDR0/ LUTDR1/ LUTDR2	R/W	–	√	√	0000H
F06E5H		LUTDR0H/ LUTDR1H/ LUTDR2H			–	√		
F06E6H	UART receive data register	LURDR0L/ LURDR1L/ LURDR2L	LURDR0/ LURDR1/ LURDR2	R	–	√	√	0000H
F06E7H		LURDR0H/ LURDR1H/ LURDR2H			–	√		
F06E8H	UART wait transmit data register	LUWTDR0L/ LUWTDR1L/ /LUWTDR2L	LUWTDR0/ LUWTDR1/ LUWTDR2	R/W	–	√	√	0000H
F06E9H		LUWTDR0H/ LUWTDR1H/ LUWTDR2H			–	√		
F06F0H	Timer RJ counter register 0	TRJ0		R/W	–	–	√	FFFFH
F06F1H								
F0780H	Event output destination select register 00	ELSELR00		R/W	√	√	–	00H
F0781H	Event output destination select register 01	ELSELR01		R/W	√	√	–	00H
F0782H	Event output destination select register 02	ELSELR02		R/W	√	√	–	00H

Table 3-6. Extended SFR (2nd SFR) List (51/52)

Address	Special Function Register (2nd SFR) Name	Symbol	R/W	Manipulable Bit Range			After reset
				1-bit	8-bit	16-bit	
F0783H	Event output destination select register 03	ELSELR03	R/W	√	√	–	00H
F0784H	Event output destination select register 04	ELSELR04	R/W	√	√	–	00H
F0785H	Event output destination select register 05	ELSELR05	R/W	√	√	–	00H
F0786H	Event output destination select register 06	ELSELR06	R/W	√	√	–	00H
F0787H	Event output destination select register 07	ELSELR07	R/W	√	√	–	00H
F0788H	Event output destination select register 08	ELSELR08	R/W	√	√	–	00H
F0789H	Event output destination select register 09	ELSELR09	R/W	√	√	–	00H
F078AH	Event output destination select register 10	ELSELR10	R/W	√	√	–	00H
F078BH	Event output destination select register 11	ELSELR11	R/W	√	√	–	00H
F078CH	Event output destination select register 12	ELSELR12	R/W	√	√	–	00H
F078DH	Event output destination select register 13	ELSELR13	R/W	√	√	–	00H
F078EH	Event output destination select register 14	ELSELR14	R/W	√	√	–	00H
F078FH	Event output destination select register 15	ELSELR15	R/W	√	√	–	00H
F0790H	Event output destination select register 16	ELSELR16	R/W	√	√	–	00H
F0791H	Event output destination select register 17	ELSELR17	R/W	√	√	–	00H
F0792H	Event output destination select register 18	ELSELR18	R/W	√	√	–	00H
F0793H	Event output destination select register 19	ELSELR19	R/W	√	√	–	00H
F0794H	Event output destination select register 20	ELSELR20	R/W	√	√	–	00H
F0795H	Event output destination select register 21	ELSELR21	R/W	√	√	–	00H
F0796H	Event output destination select register 22	ELSELR22	R/W	√	√	–	00H
F0797H	Event output destination select register 23	ELSELR23	R/W	√	√	–	00H
F0798H	Event output destination select register 24	ELSELR24	R/W	√	√	–	00H
F0799H	Event output destination select register 25	ELSELR25	R/W	√	√	–	00H
F07C0H	IEBB0 bus control register	IEBB0BCR	R/W	√	√	–	00H
F07C1H	IEBB0 power save register	IEBB0PSR	R/W	√	√	–	00H
F07C2H	IEBB0 unit address register	IEBB0UAR	R/W	–	–	√	0000H
F07C3H							
F07C4H	IEBB0 slave address register	IEBB0SAR	R/W	–	–	√	0000H
F07C5H							
F07C6H	IEBB0 partner address register	IEBB0PAR	R	–	–	√	0000H
F07C7H							
F07C8H	IEBB0 reception slave address register	IEBB0RSA	R	–	–	√	0000H
F07C9H							
F07CAH	IEBB0 control data register	IEBB0CDR	R/W	–	√	–	00H
F07CBH	IEBB0 message length register	IEBB0DLR	R/W	–	√	–	01H
F07CCH	IEBB0 transmission control data register	IEBB0TCD	R/W	–	√	–	00H
F07CDH	IEBB0 reception control data register	IEBB0RCD	R	–	√	–	00H
F07CEH	IEBB0 transmission message length register	IEBB0TDL	R/W	–	√	–	01H
F07CFH	IEBB0 reception message length register	IEBB0RDL	R	–	√	–	01H
F07D0H	IEBB0 clock selection register	IEBB0CKS	R/W	–	√	–	07H
F07D1H	IEBB0 slave status register	IEBB0SSR	R	√	√	–	81H
F07D2H	IEBB0 unit status register	IEBB0USR	R	√	√	–	00H
F07D3H	IEBB0 interrupt status register	IEBB0ISR	R/W	√	√	–	00H
F07D4H	IEBB0 error status register	IEBB0ESR	R	√	√	–	00H
F07D5H	IEBB0 field status register	IEBB0FSR	R	–	√	–	00H
F07D6H	IEBB0 success count register	IEBB0SCR	R	–	√	–	01H

Table 3-6. Extended SFR (2nd SFR) List (52/52)

Address	Special Function Register (2nd SFR) Name	Symbol	R/W	Manipulable Bit Range			After reset
				1-bit	8-bit	16-bit	
F07D7H	IEBB0 communication count register	IEBB0CCR	R	–	√	–	20H
F07D8H	IEBB0 status clear register 0	IEBB0STC0	W	√	√	–	00H
F07D9H	IEBB0 data register	IEBB0DR	R/W	–	√	–	00H
F07DAH	IEBB0 data polarity select register	IEBB0DPS	R/W	√	√	–	00H

Remark For SFRs in the SFR area, see **Table 3-5 SFR List**.

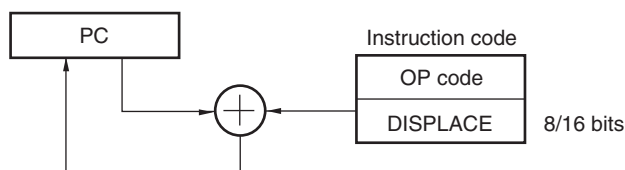
3.3 Instruction Address Addressing

3.3.1 Relative addressing

[Function]

Relative addressing stores in the program counter (PC) the result of adding a displacement value included in the instruction word (signed complement data: -128 to +127 or -32768 to +32767) to the program counter (PC)'s value (the start address of the next instruction), and specifies the program address to be used as the branch destination. Relative addressing is applied only to branch instructions.

Figure 3-18. Outline of Relative Addressing



3.3.2 Immediate addressing

[Function]

Immediate addressing stores immediate data of the instruction word in the program counter, and specifies the program address to be used as the branch destination.

For immediate addressing, CALL !!addr20 or BR !!addr20 is used to specify 20-bit addresses and CALL !addr16 or BR !addr16 is used to specify 16-bit addresses. 0000 is set to the higher 4 bits when specifying 16-bit addresses.

Figure 3-19. Example of CALL !!addr20/BR !!addr20

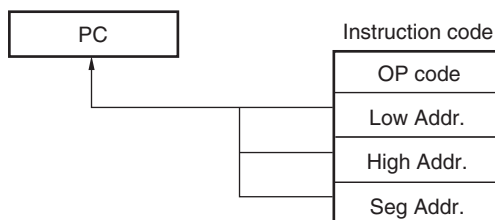
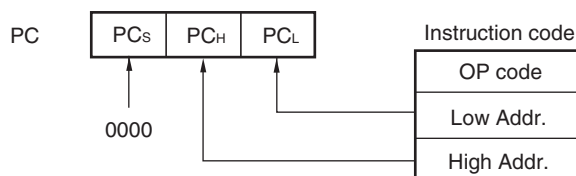


Figure 3-20. Example of CALL !addr16/BR !addr16



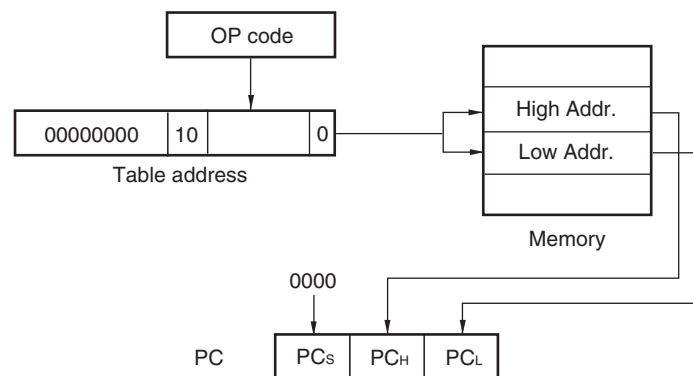
3.3.3 Table indirect addressing

[Function]

Table indirect addressing specifies a table address in the CALLT table area (0080H to 00BFH) with the 5-bit immediate data in the instruction word, stores the contents at that table address and the next address in the program counter (PC) as 16-bit data, and specifies the program address. Table indirect addressing is applied only for CALLT instructions.

In the RL78 microcontrollers, branching is enabled only to the 64 KB space from 00000H to 0FFFFH.

Figure 3-21. Outline of Table Indirect Addressing

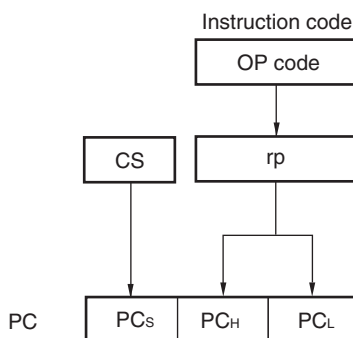


3.3.4 Register direct addressing

[Function]

Register direct addressing stores in the program counter (PC) the contents of a general-purpose register pair (AX/BC/DE/HL) and CS register of the current register bank specified with the instruction word as 20-bit data, and specifies the program address. Register direct addressing can be applied only to the CALL AX, BC, DE, HL, and BR AX instructions.

Figure 3-22. Outline of Register Direct Addressing



3.4 Addressing for Processing Data Addresses

3.4.1 Implied addressing

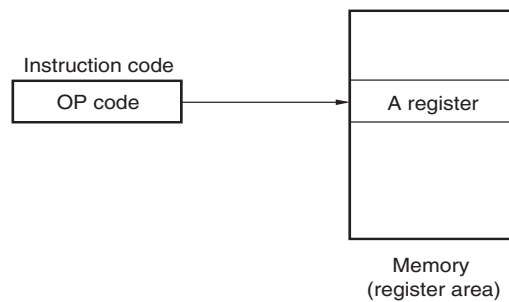
[Function]

Instructions for accessing registers (such as accumulators) that have special functions are directly specified with the instruction word, without using any register specification field in the instruction word.

[Operand format]

Implied addressing can be applied only to MULU X.

Figure 3-23. Outline of Implied Addressing



3.4.2 Register addressing

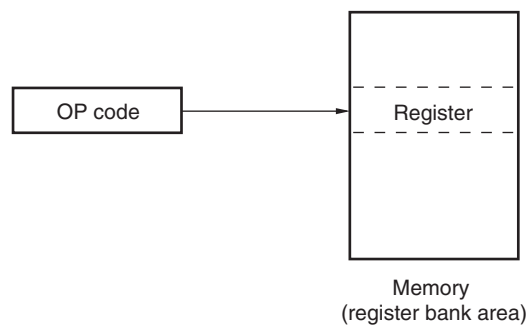
[Function]

Register addressing accesses a general-purpose register as an operand. The instruction word of 3-bit long is used to select an 8-bit register and the instruction word of 2-bit long is used to select a 16-bit register.

[Operand format]

Identifier	Description
r	X, A, C, B, E, D, L, H
rp	AX, BC, DE, HL

Figure 3-24. Outline of Register Addressing



3.4.3 Direct addressing

[Function]

Direct addressing uses immediate data in the instruction word as an operand address to directly specify the target address.

[Operand format]

Identifier	Description
!addr16	Label or 16-bit immediate data (only the space from F0000H to FFFFFH is specifiable)
ES:!addr16	Label or 16-bit immediate data (higher 4-bit addresses are specified by the ES register)

Figure 3-25. Example of !addr16

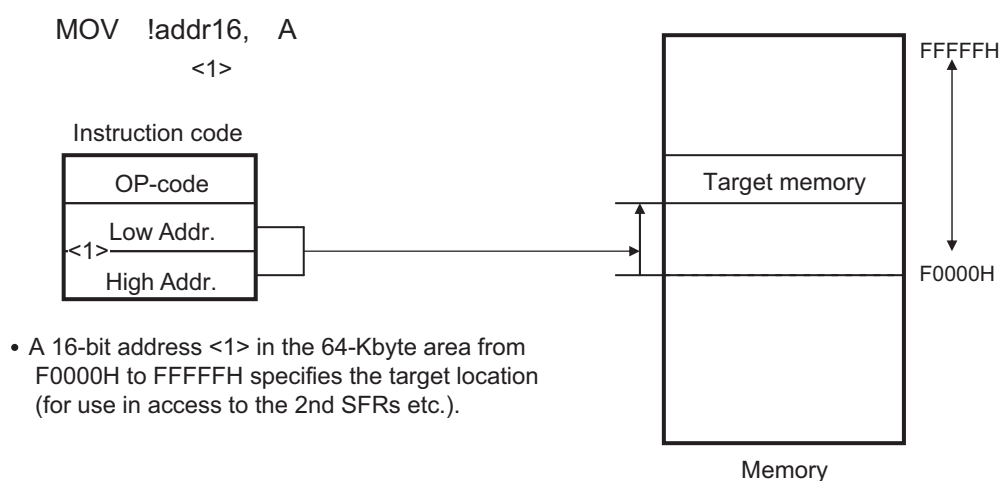
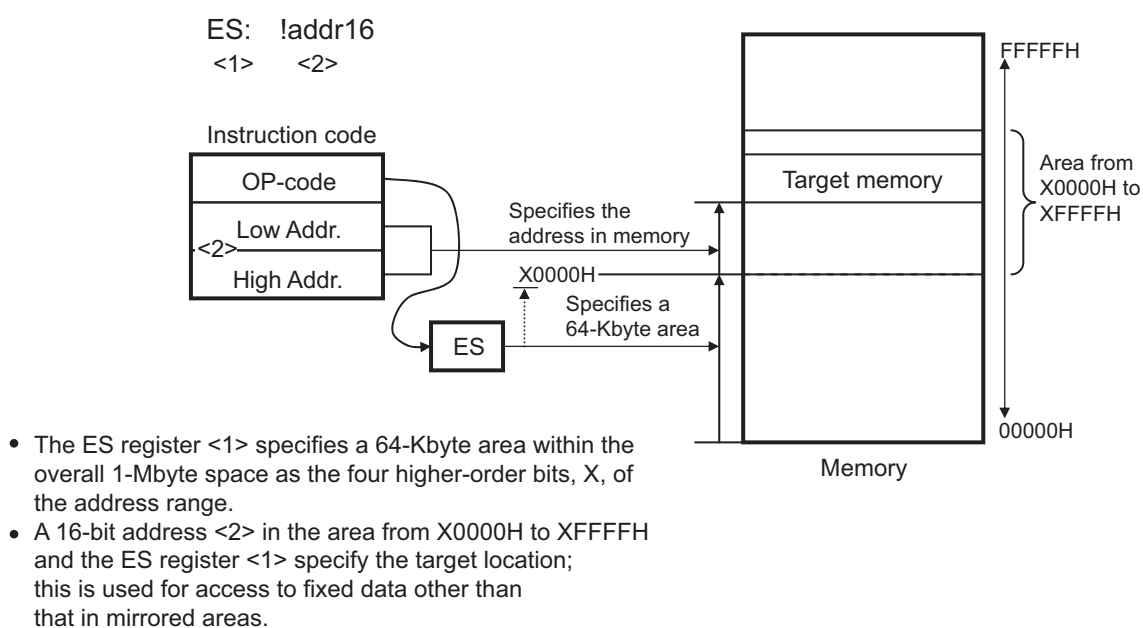


Figure 3-26. Example of ES:!addr16



3.4.4 Short direct addressing

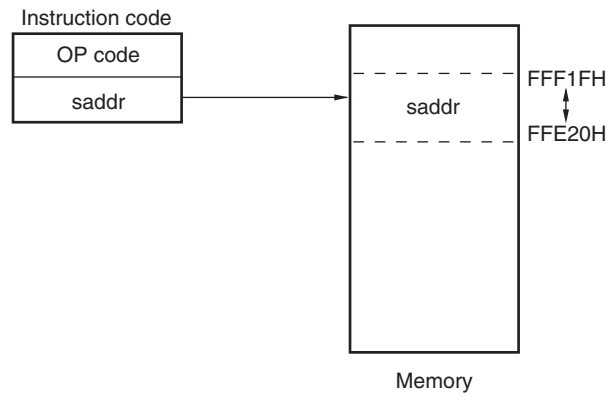
[Function]

Short direct addressing directly specifies the target addresses using 8-bit data in the instruction word. This type of addressing is applied only to the space from FFE20H to FFF1FH.

[Operand format]

Identifier	Description
SADDR	Label, FFE20H to FFF1FH immediate data, or 0FE20H to 0FF1FH immediate data (only the space from FFE20H to FFF1FH is specifiable)
SADDRP	Label, FFE20H to FFF1FH immediate data, or 0FE20H to 0FF1FH immediate data (even address only) (only the space from FFE20H to FFF1FH is specifiable)

Figure 3-27. Outline of Short Direct Addressing



Remark SADDR and SADDRP are used to describe the values of addresses FE20H to FF1FH with 16-bit immediate data (higher 4 bits of actual address are omitted), and the values of addresses FFE20H to FFF1FH with 20-bit immediate data.

Regardless of whether SADDR or SADDRP is used, addresses within the space from FFE20H to FFF1FH are specified for the memory.

3.4.5 SFR addressing

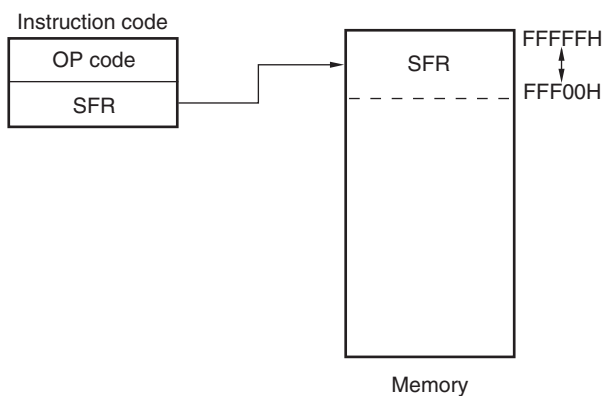
[Function]

SFR addressing directly specifies the target SFR addresses using 8-bit data in the instruction word. This type of addressing is applied only to the space from FFF00H to FFFFFH.

[Operand format]

Identifier	Description
SFR	SFR name
SFRP	16-bit-manipulatable SFR name (even address)

Figure 3-28. Outline of SFR Addressing



3.4.6 Register indirect addressing

[Function]

Register indirect addressing directly specifies the target addresses using the contents of the register pair specified with the instruction word as an operand address.

[Operand format]

Identifier	Description
-	[DE], [HL] (only the space from F0000H to FFFFFH is specifiable)
-	ES:[DE], ES:[HL] (higher 4-bit addresses are specified by the ES register)

Figure 3-29. Example of [DE], [HL]

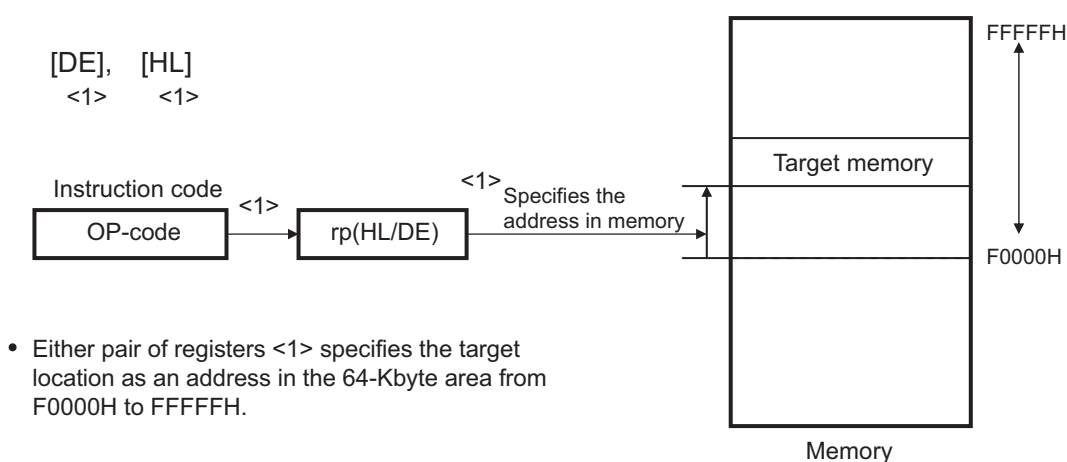
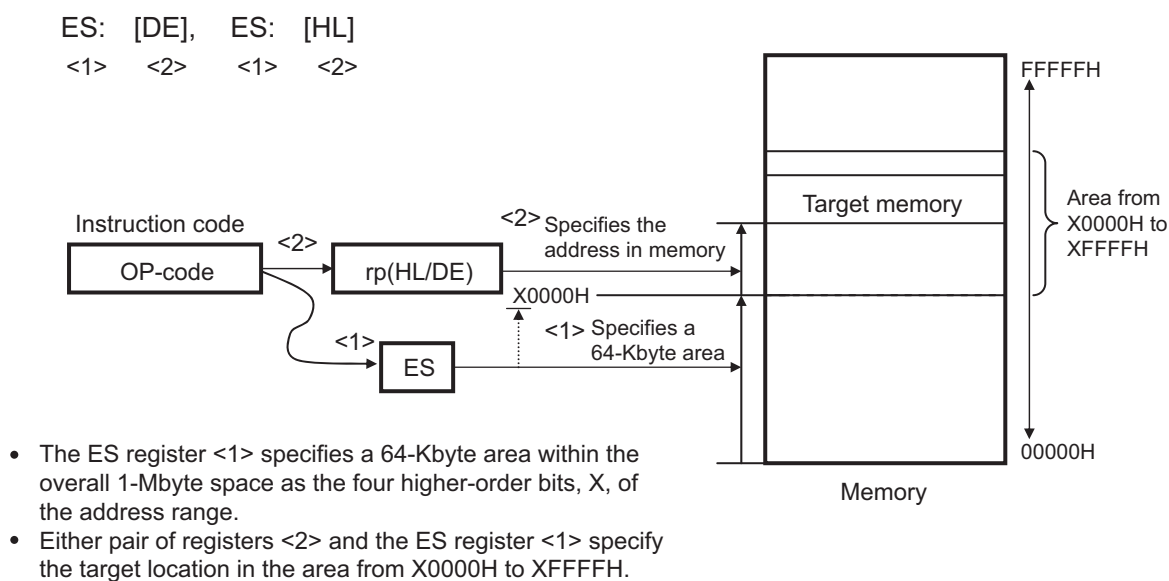


Figure 3-30. Example of ES:[DE], ES:[HL]



3.4.7 Based addressing

[Function]

Based addressing uses the contents of a register pair specified with the instruction word or 16-bit immediate data as a base address, and 8-bit immediate data or 16-bit immediate data as offset data. The sum of these values is used to specify the target address.

[Operand format]

Identifier	Description
-	[HL + byte], [DE + byte], [SP + byte] (only the space from F0000H to FFFFFH is specifiable)
-	word[B], word[C] (only the space from F0000H to FFFFFH is specifiable)
-	word[BC] (only the space from F0000H to FFFFFH is specifiable)
-	ES:[HL + byte], ES:[DE + byte] (higher 4-bit addresses are specified by the ES register)
-	ES:word[B], ES:word[C] (higher 4-bit addresses are specified by the ES register)
-	ES:word[BC] (higher 4-bit addresses are specified by the ES register)

Figure 3-31. Example of [SP+byte]

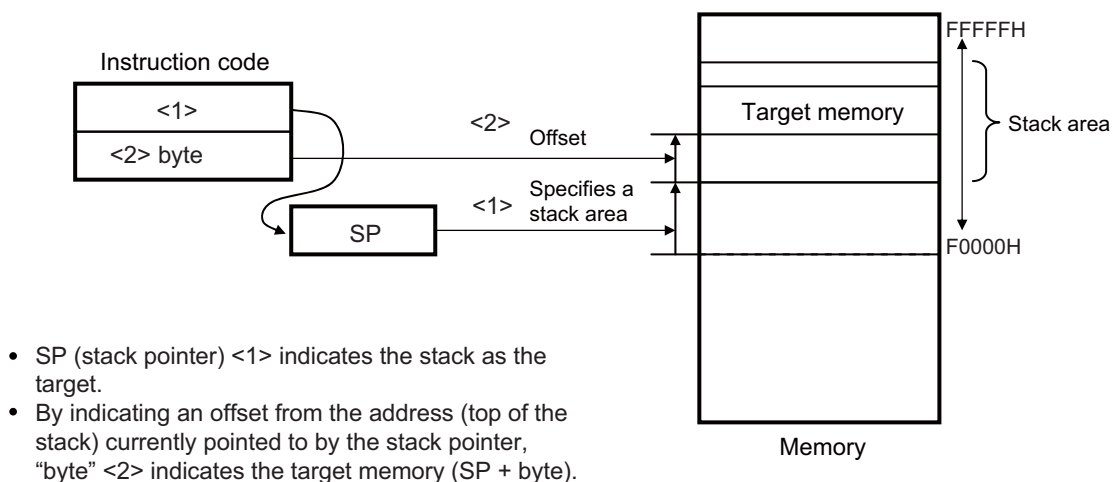


Figure 3-32. Example of [HL + byte], [DE + byte]

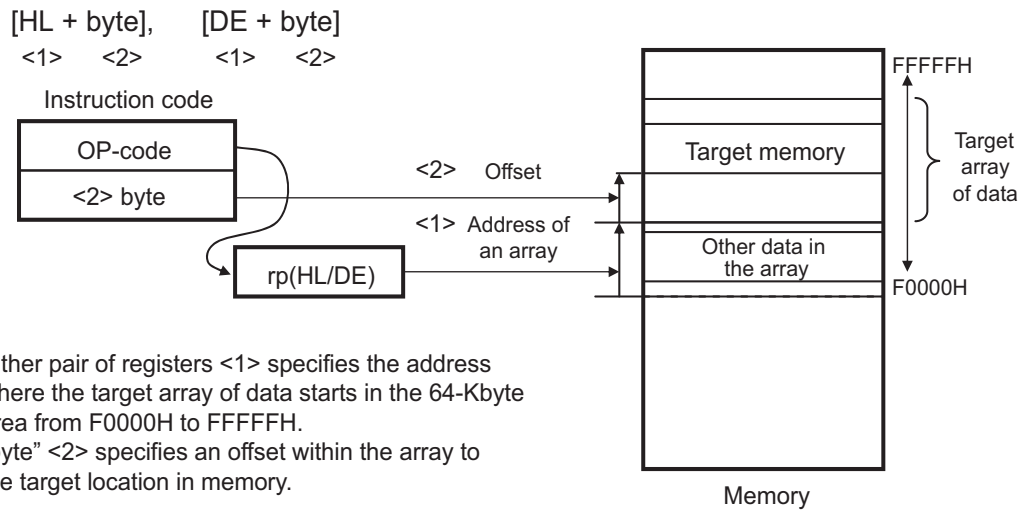


Figure 3-33. Example of word[B], word[C]

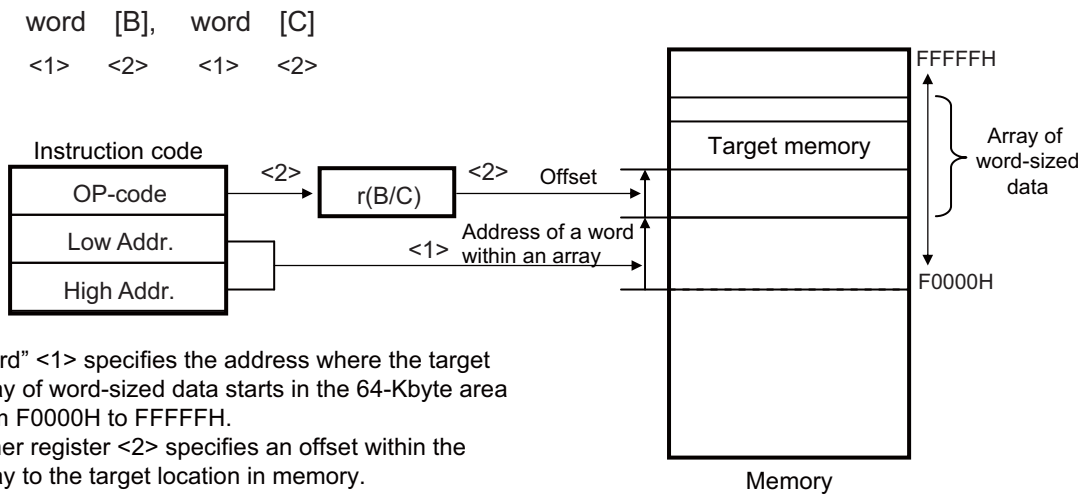


Figure 3-34. Example of word[BC]

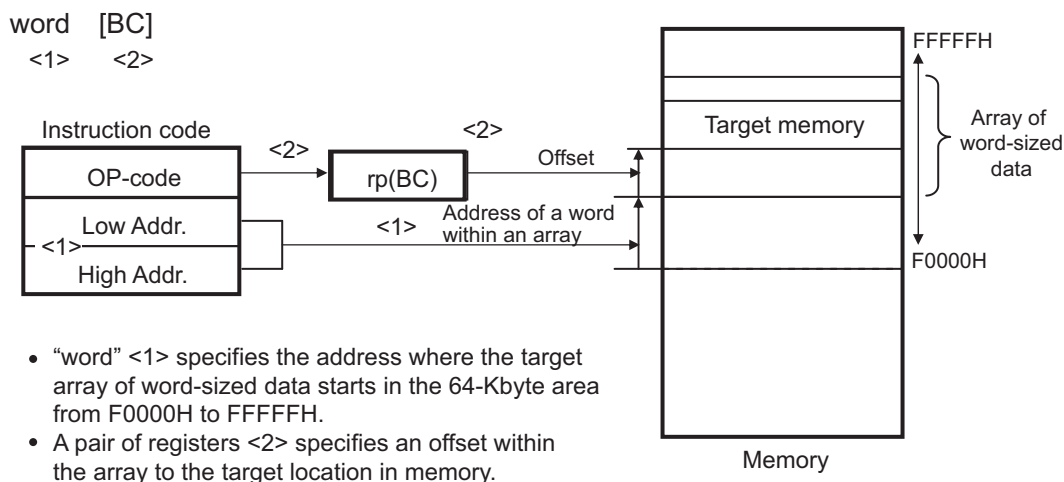


Figure 3-35. Example of ES:[HL + byte], ES:[DE + byte]

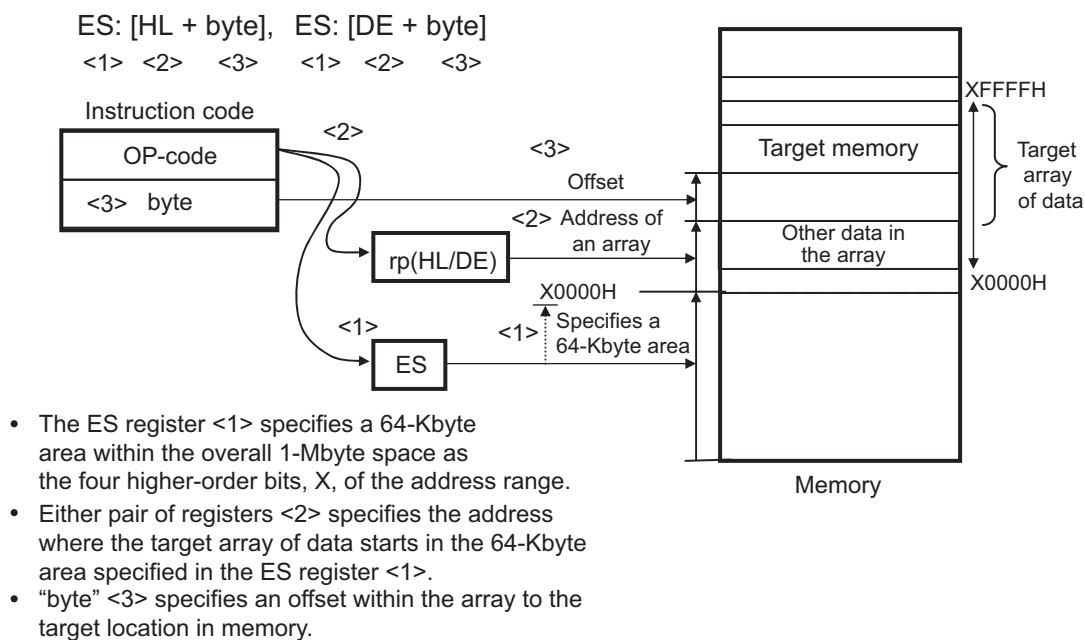
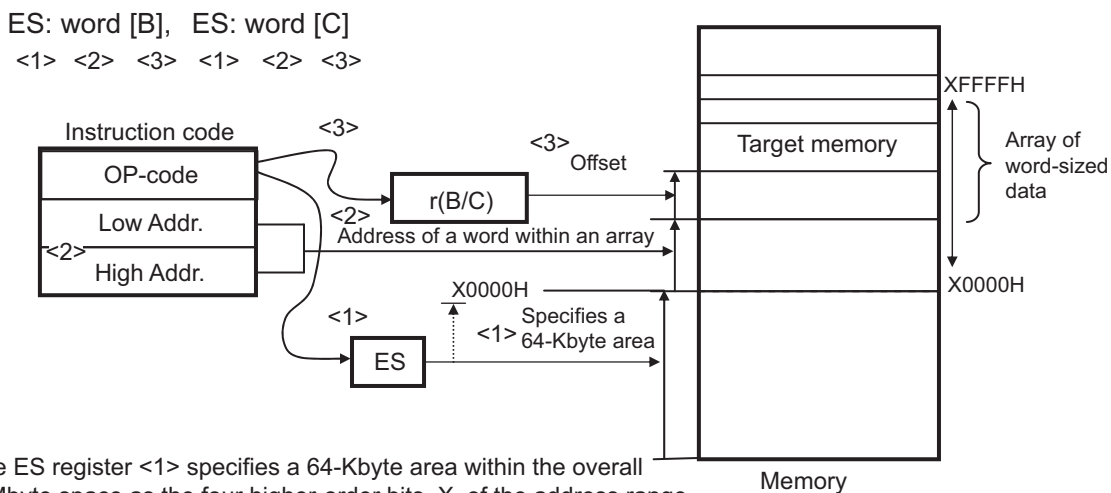
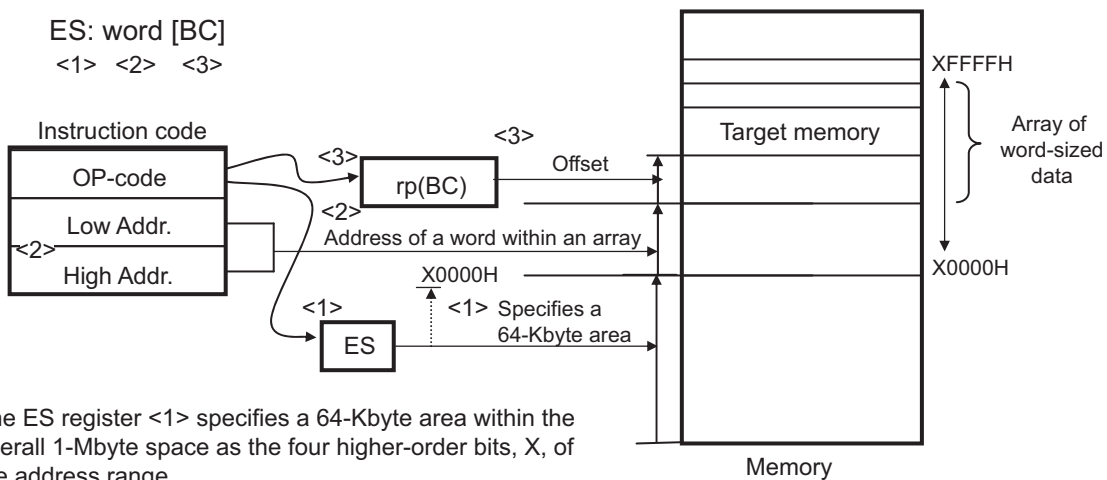


Figure 3-36. Example of ES:word[B], ES:word[C]



- The ES register <1> specifies a 64-Kbyte area within the overall 1-Mbyte space as the four higher-order bits, X, of the address range.
- “word” <2> specifies the address where the target array of word-sized data starts in the 64-Kbyte area specified in the ES register <1>.
- Either register <3> specifies an offset within the array to the target location in memory.

Figure 3-37. Example of ES:word[BC]



- The ES register <1> specifies a 64-Kbyte area within the overall 1-Mbyte space as the four higher-order bits, X, of the address range.
- “word” <2> specifies the address where the target array of word-sized data starts in the 64-Kbyte area specified in the ES register <1>.
- A pair of registers <3> specifies an offset within the array to the target location in memory.

3.4.8 Based indexed addressing

[Function]

Based indexed addressing uses the contents of a register pair specified with the instruction word as the base address, and the content of the B register or C register similarly specified with the instruction word as offset address. The sum of these values is used to specify the target address.

[Operand format]

Identifier	Description
-	[HL+B], [HL+C] (only the space from F0000H to FFFFFH is specifiable)
-	ES:[HL+B], ES:[HL+C] (higher 4-bit addresses are specified by the ES register)

Figure 3-38. Example of [HL+B], [HL+C]

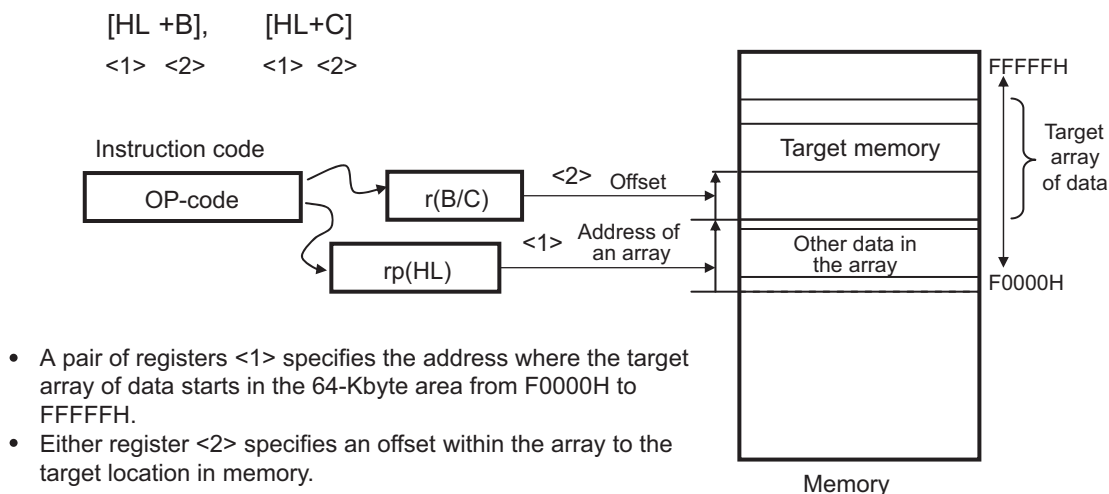
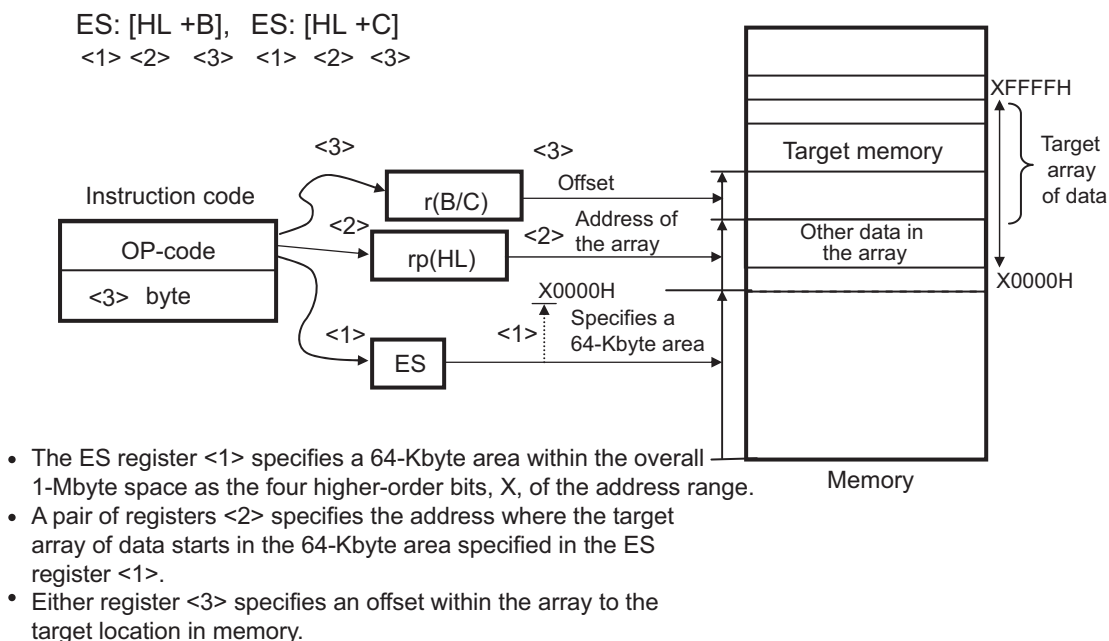


Figure 3-39. Example of ES:[HL+B], ES:[HL+C]



3.4.9 Stack addressing

[Function]

The stack area is indirectly addressed with the stack pointer (SP) contents. This addressing is automatically employed when the PUSH, POP, subroutine call, and return instructions are executed or the register is saved/restored upon generation of an interrupt request.

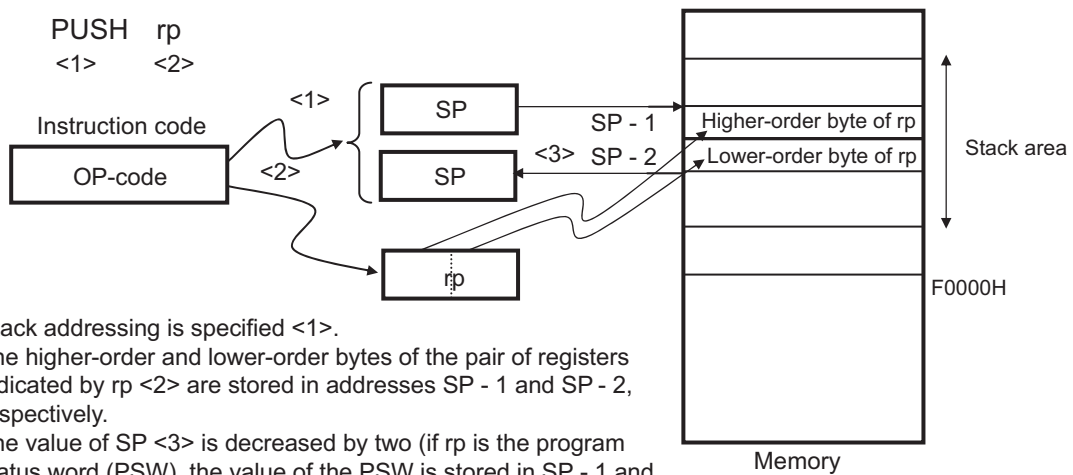
Only the internal RAM area can be set as the stack area.

[Operand format]

Identifier	Description
-	PUSH PSW AX/BC/DE/HL POP PSW AX/BC/DE/HL CALL/CALLT RET BRK RETB (Interrupt request generated) RETI

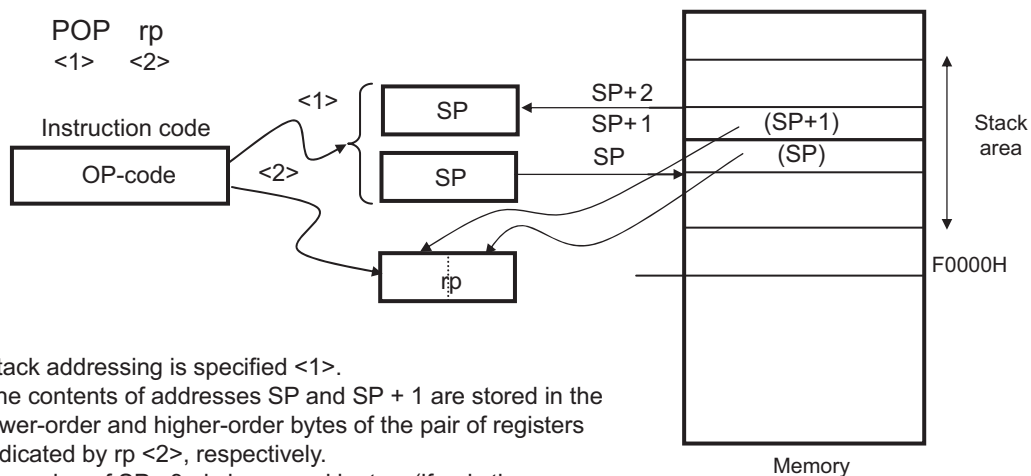
Each stack operation saves or restores data as shown in Figures 3-40 to 3-45.

Figure 3-40. Example of PUSH rp



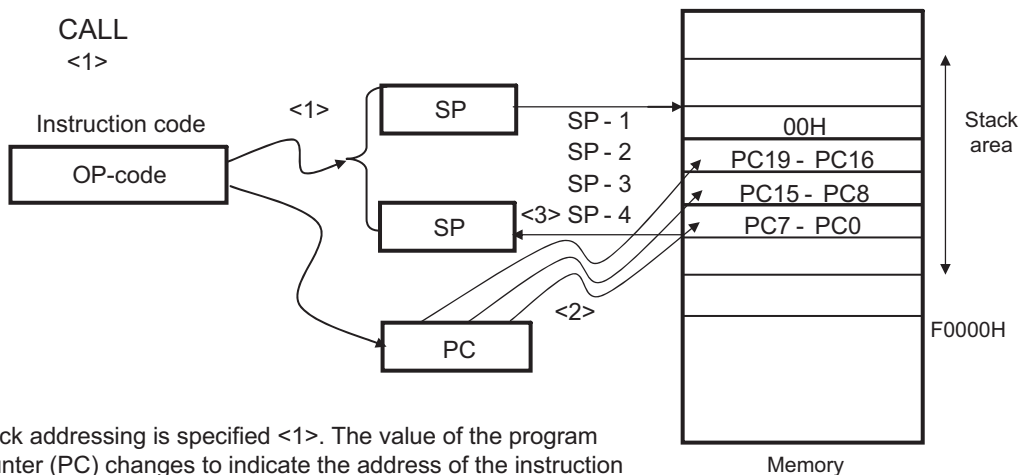
- Stack addressing is specified <1>.
- The higher-order and lower-order bytes of the pair of registers indicated by `rp` <2> are stored in addresses `SP - 1` and `SP - 2`, respectively.
- The value of `SP` <3> is decreased by two (if `rp` is the program status word (PSW), the value of the PSW is stored in `SP - 1` and 0 is stored in `SP - 2`).

Figure 3-41. Example of POP



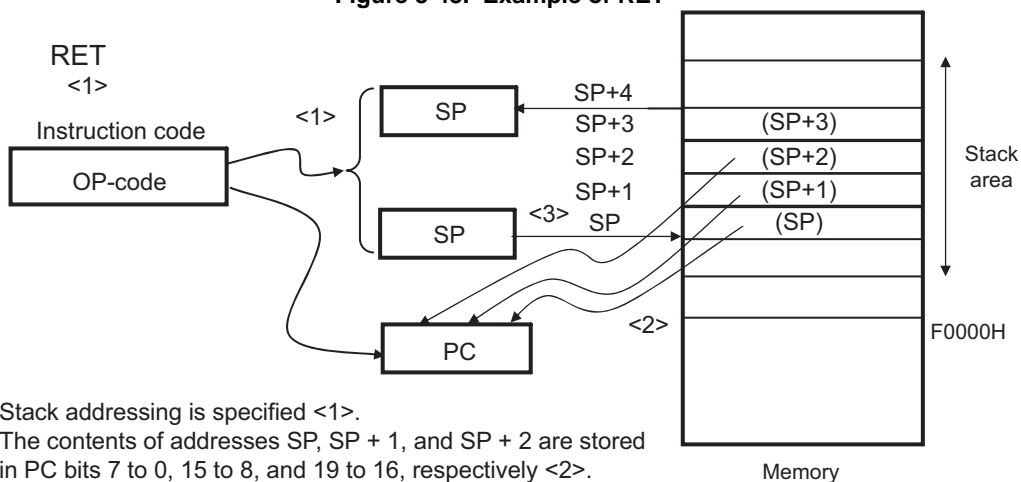
- Stack addressing is specified <1>.
- The contents of addresses SP and SP + 1 are stored in the lower-order and higher-order bytes of the pair of registers indicated by rp <2>, respectively.
- The value of SP <3> is increased by two (if rp is the program status word (PSW), the content of address SP + 1 is stored in the PSW).

Figure 3-42. Example of CALL, CALLT



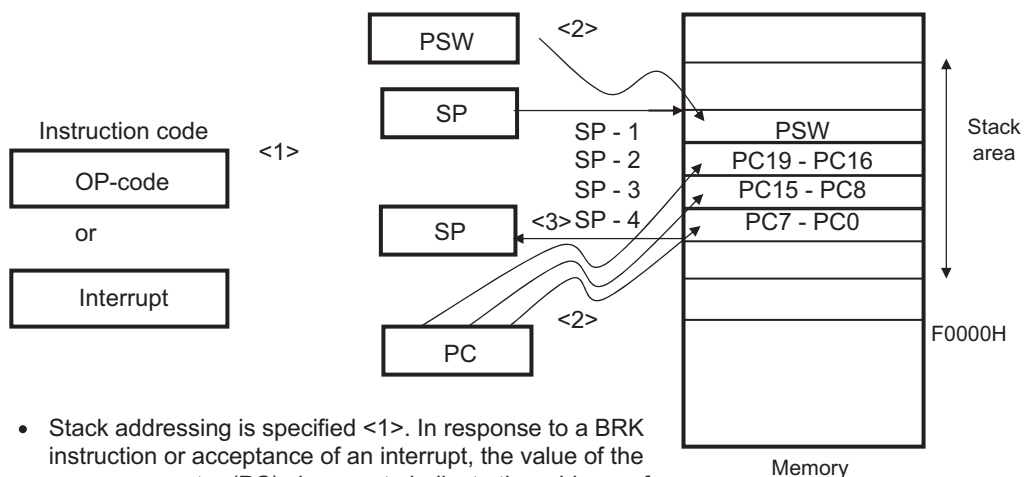
- Stack addressing is specified <1>. The value of the program counter (PC) changes to indicate the address of the instruction following the CALL instruction.
- 00H, the values of PC bits 19 to 16, 15 to 8, and 7 to 0 are stored in addresses SP - 1, SP - 2, SP - 3, and SP - 4, respectively <2>.
- The value of the SP <3> is decreased by 4.

Figure 3-43. Example of RET



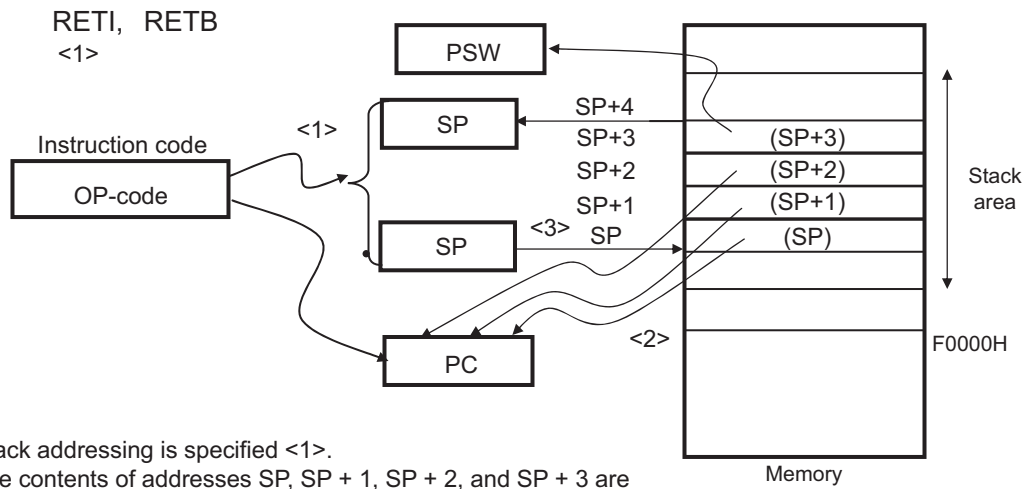
- Stack addressing is specified <1>.
- The contents of addresses SP, SP + 1, and SP + 2 are stored in PC bits 7 to 0, 15 to 8, and 19 to 16, respectively <2>.
- The value of SP <3> is increased by four.

Figure 3-44. Example of Interrupt, BRK



- Stack addressing is specified <1>. In response to a BRK instruction or acceptance of an interrupt, the value of the program counter (PC) changes to indicate the address of the next instruction.
- The values of the PSW, PC bits 19 to 16, 15 to 8, and 7 to 0 are stored in addresses SP - 1, SP - 2, SP - 3, and SP - 4, respectively <2>.
- The value of the SP <3> is decreased by 4.

Figure 3-45. Example of RETI, RETB



- Stack addressing is specified <1>.
- The contents of addresses SP, SP + 1, SP + 2, and SP + 3 are stored in PC bits 7 to 0, 15 to 8, 19 to 16, and the PSW, respectively <2>.
- The value of SP <3> is increased by four.

CHAPTER 4 PORT FUNCTIONS

4.1 Port Functions

Pin I/O buffer power supplies depend on the product. The relationship between power supplies and the pins is shown in Table 4-1. EV_{DD} indicates EV_{DD0} and EV_{DD1} .

Table 4-1. Pin I/O Buffer Power Supplies

(1) 48-pin products

Power Supply	Corresponding Pins
V_{DD}	All pins

(2) 64-pin products

Power Supply	Corresponding Pins
EV_{DD0}	Port pins other than P33, P34, P80 to P87, P90 to P96, P121 to P124, and P137
V_{DD}	<ul style="list-style-type: none"> • P33, P34, P80 to P87, P90 to P96, P121 to P124, and P137 • Pins other than port pins

(3) 80-pin products

Power Supply	Corresponding Pins
EV_{DD0}	Port pins other than P33, P34, P80 to P87, P90 to P97, P121 to P124, and P137
V_{DD}	<ul style="list-style-type: none"> • P33, P34, P80 to P87, P90 to P97, P121 to P124, and P137 • Pins other than port pins

(4) 100-pin, 144-pin products

Power Supply	Corresponding Pins
EV_{DD0} , EV_{DD1}	Port pins other than P33, P34, P80 to P87, P90 to P97, P100 to P105, P121 to P124, and P137
V_{DD}	<ul style="list-style-type: none"> • P33, P34, P80 to P87, P90 to P97, P100 to P105, P121 to P124, and P137 • Pins other than port pins

The RL78/F15 microcontrollers are provided with digital I/O ports, which enable variety of control operations.

In addition to the function as digital I/O ports, these ports have several alternate functions. For details of the alternate functions, see **CHAPTER 2 PIN FUNCTIONS**.

4.2 Port Configuration

Ports include the following hardware.

Table 4-2. Port Configuration

Item	Configuration
Control registers	Port mode registers (PM0 to PM16) Port registers (P0 to P16) Pull-up resistor option registers (PU0 to PU7, PU10 to PU16) Port input mode registers (PIM1, PIM3, PIM5 to PIM7, PIM12) Port output mode registers (POM1, POM6, POM7, POM12) Port mode control registers (PMC7, PMC12) A/D port configuration register (ADPC) Peripheral I/O redirection registers (PIOR0 to PIOR11) Port input threshold control registers (PITHL0 to PITHL7, PITHL10, PITHL12, PITHL15) Port output slew rate select register (PSRSEL) SNOOZE status output control registers 0 to 3 (PSNZCNT0 to PSNZCNT3) Port mode select register (PMS)
Port	<ul style="list-style-type: none"> • 48-pin products Total: 44 (CMOS I/O: 38, CMOS input: 5, CMOS output: 1) • 64-pin products Total: 58 (CMOS I/O: 52, CMOS input: 5, CMOS output: 1) • 80-pin products Total: 74 (CMOS I/O: 68, CMOS input: 5, CMOS output: 1) • 100-pin products Total: 92 (CMOS I/O: 86, CMOS input: 5, CMOS output: 1) • 144-pin products Total: 136 (CMOS I/O: 130, CMOS input: 5, CMOS output: 1)

Caution Most of the following descriptions in this chapter use the 144-pin products as an example.

4.2.1 Port 0

Port 0 is an I/O port with an output latch. Port 0 can be set to the input mode or output mode in 1-bit units using port mode register 0 (PM0). When the P00 to P07 pins are used as an input port, use of an on-chip pull-up resistor can be specified in 1-bit units by pull-up resistor option register 0 (PU0).

Input to the P00 pin can be specified through an input buffer in 1-bit units using the port input threshold control register 0 (PITHL0).

This port can also be used for serial interfaces (CSI) clock I/O, timer I/O, real-time clock correction clock output, and external interrupt request input.

Reset signal generation sets this port to input mode.

Table 4-3. Settings of Registers When Using Port 0

Pin Name		PM0x	PITHL0x	Alternate Function Setting ^{Note 4}	Remark
Name	I/O				
P00	Input	1	0	×	CMOS input (Schmitt1 input)
			1	×	CMOS input (Schmitt3 input)
	Output	0	×	$\overline{\text{SCK20}}$ output = 1 ^{Note 1} (TO05 output = 0) ^{Note 2}	
P01	Input	1	–	×	
	Output	0	–	(TO04 output = 0) ^{Note 2}	
P02	Input	1	–	×	
	Output	0	–	(TO06 output = 0) ^{Note 2}	
P03	Input	1	–	×	
	Output	0	–	(RTC1HZ output = 0) ^{Note 3}	
P04	Input	1	–	×	
	Output	0	–	×	
P05	Input	1	–	×	
	Output	0	–	×	
P06	Input	1	–	×	
	Output	0	–	×	
P07	Input	1	–	×	
	Output	0	–	×	

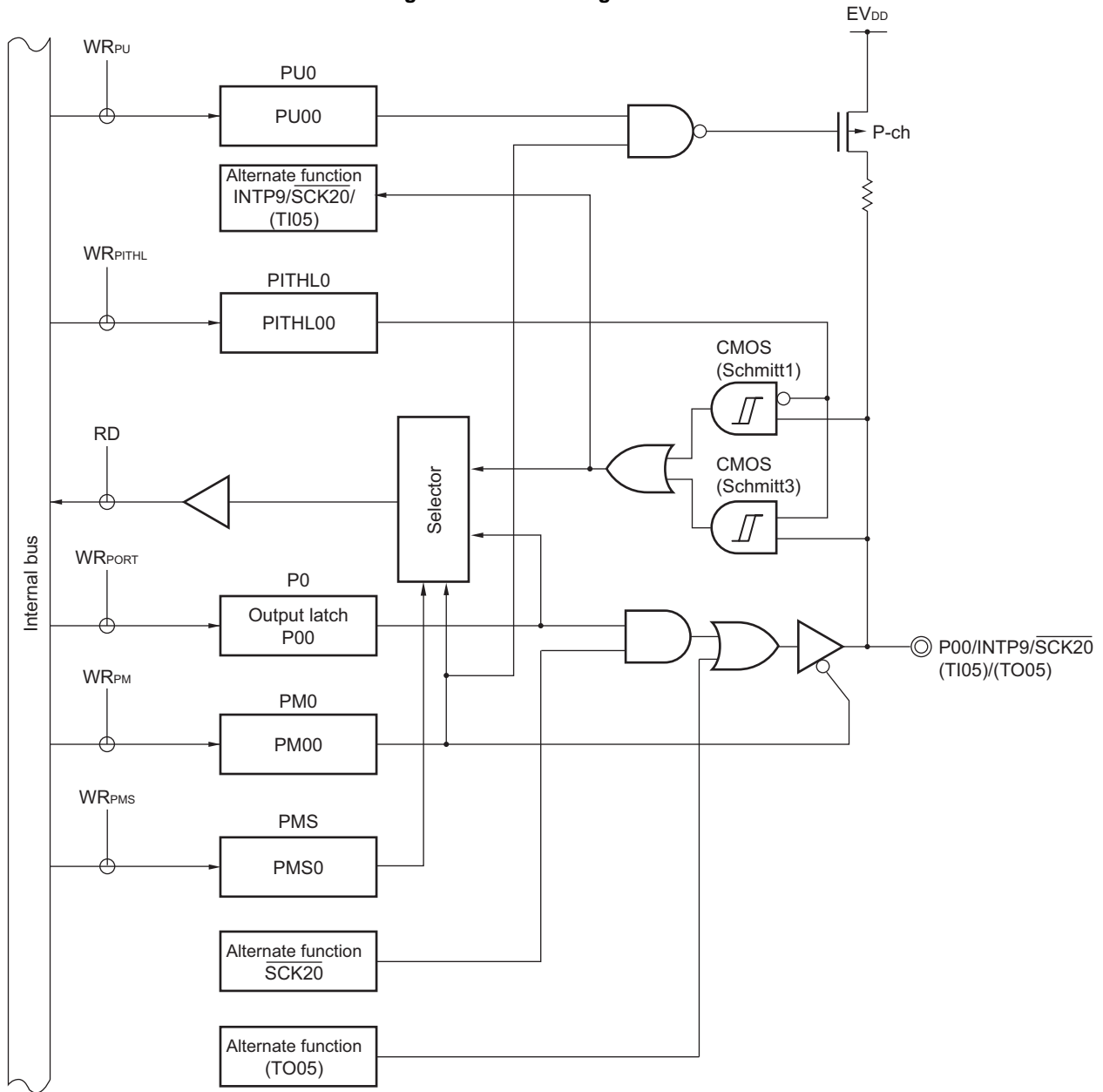
- Notes**
- When a pin sharing the serial array unit function is to be used as a general-purpose port pin, the CKO_m bit of the serial output register m (SO_m), the SOE_m bit of the serial output enable register m (SOE_m), and the SE_m bit of the serial channel enable status register m (SE_m) corresponding to the target unit and channel must have the same setting as its initial value (m = 0, 1, 2, n = 0, 1).
 - When a pin sharing a timer output function of the timer array unit is to be used as a general-purpose port pin, the TO_m bit of the timer output register m (TO_m) and the TOE_m bit of the timer output enable register m (TOE_m) corresponding to the target unit and channel must have the same setting as in the initial state (m = 0, 1, 2, n = 0 to 7).
 - When a pin sharing the output (1-Hz) function of the RTC1HZ pin is to be used as a general-purpose port pin, the RCLOE1 bit of the real-time clock control register 0 (RTCC0) must have the same setting as its initial value.
 - Functions in parentheses can be assigned via settings in the peripheral I/O redirection registers 1, 8 (PIOR1, PIOR8).

Remark

- ×: Don't care
- PM0x: Port mode register 0
- PITHL0X: Port input threshold control register 0

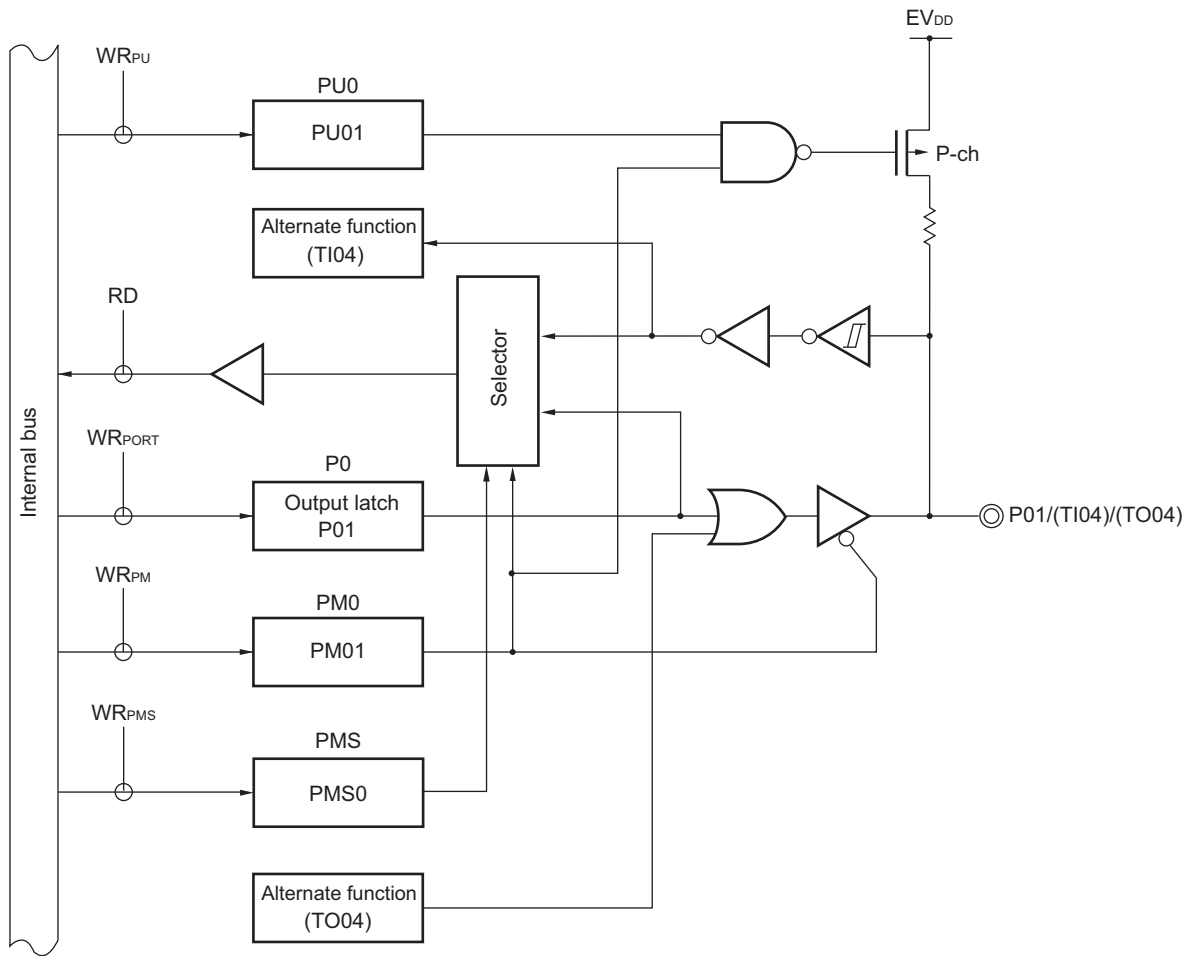
For example, figures 4-1 and 4-6 show block diagrams of port 0 for 144-pin products.

Figure 4-1. Block Diagram of P00



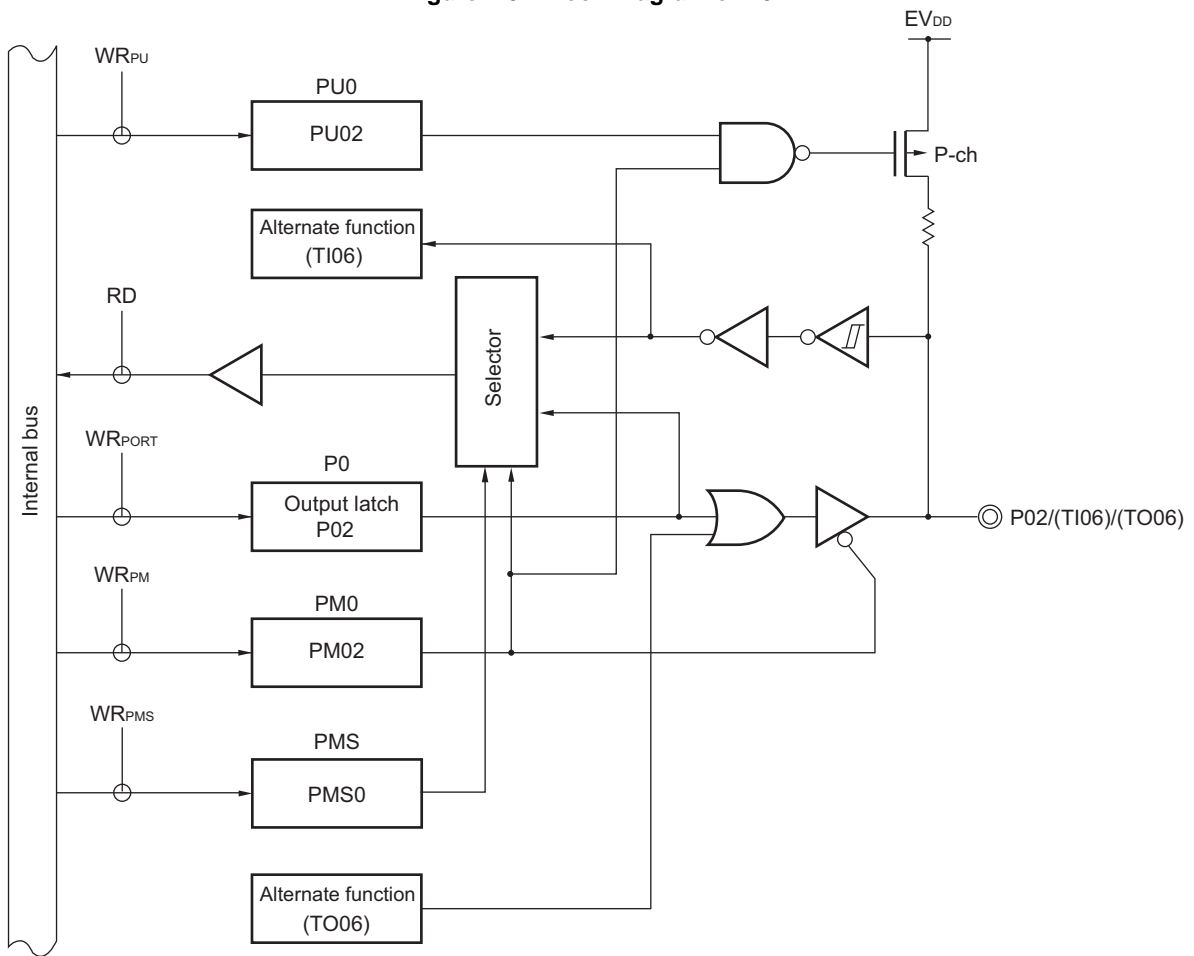
- P0: Port register 0
- PU0: Pull-up resistor option register 0
- PM0: Port mode register 0
- PMS: Port mode select register
- PITHL0: Port input threshold control register 0
- RD: Read signal
- WR_{xx}: Write signal

Figure 4-2. Block Diagram of P01



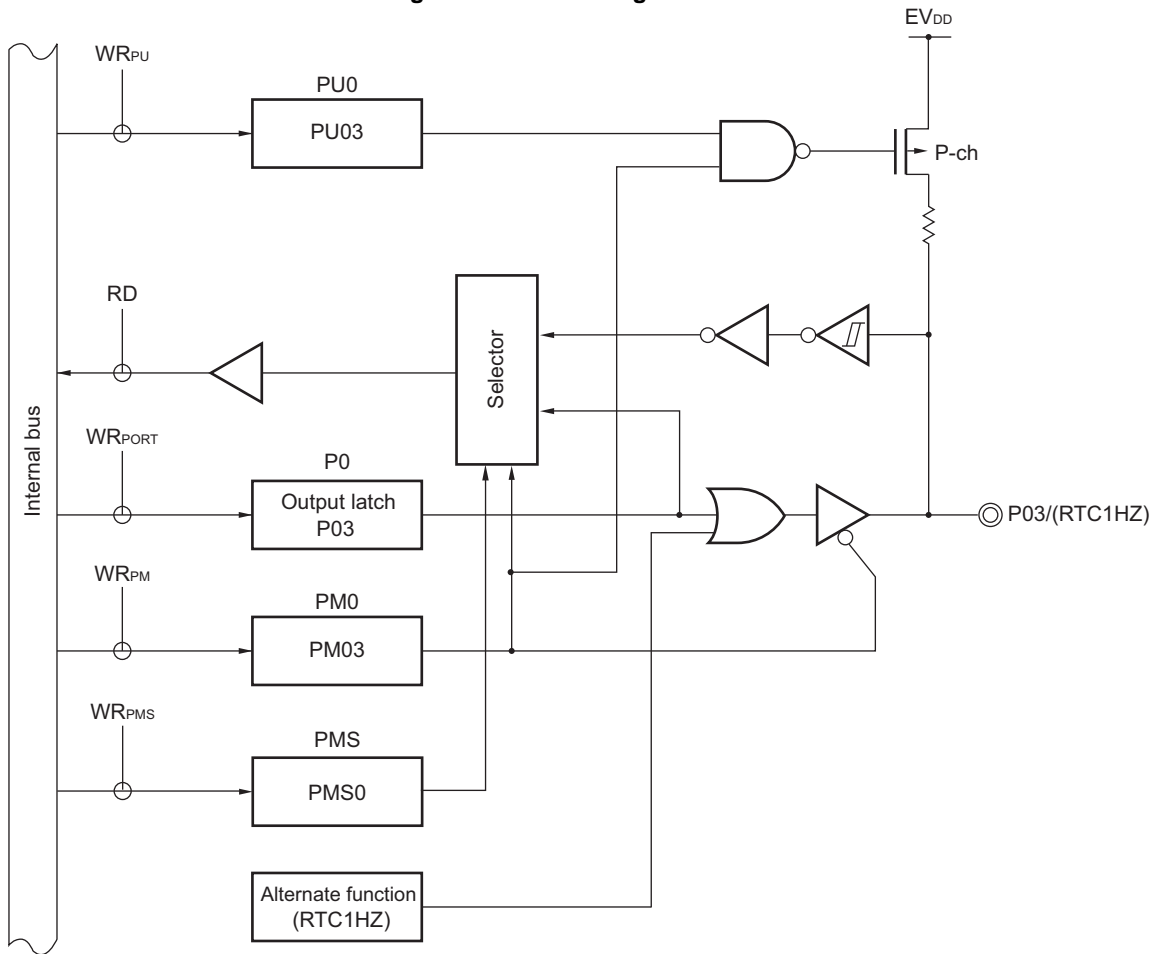
- P0: Port register 0
- PU0: Pull-up resistor option register 0
- PM0: Port mode register 0
- PMS: Port mode select register
- RD: Read signal
- WR_{xx}: Write signal

Figure 4-3. Block Diagram of P02



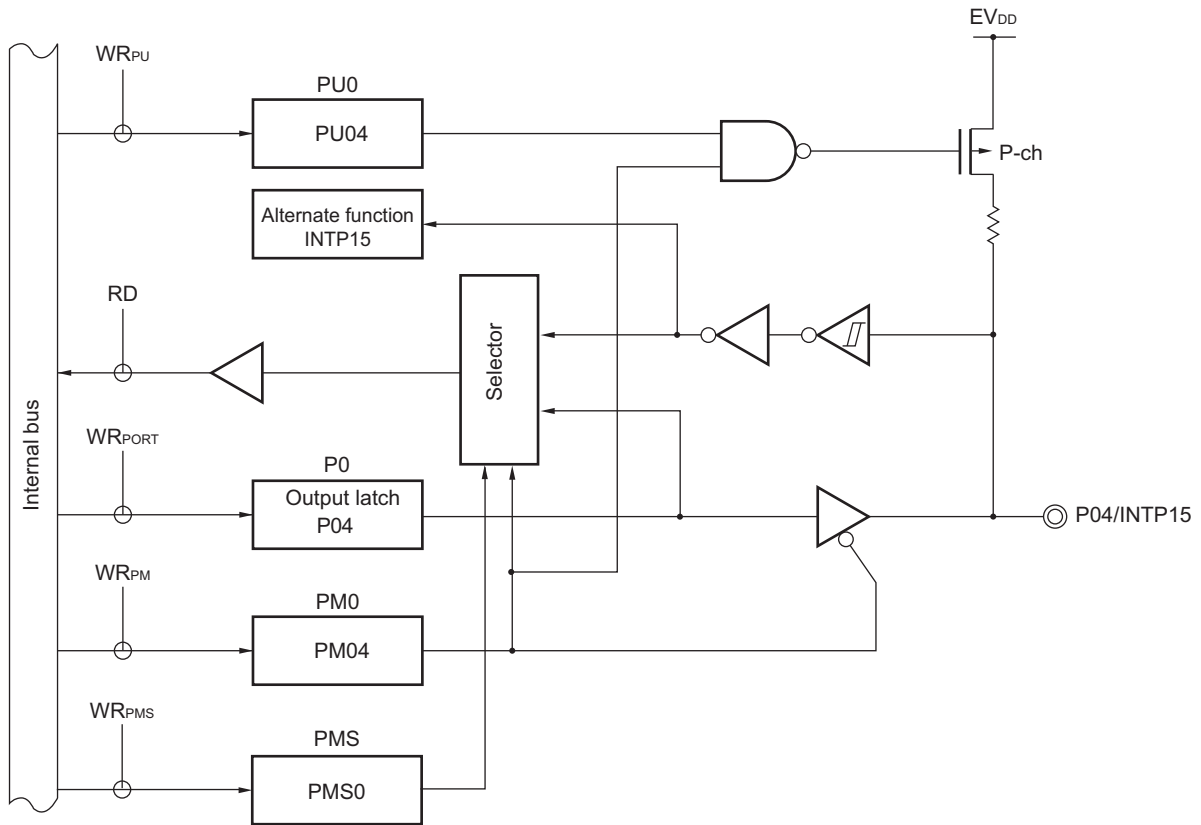
- P0: Port register 0
- PU0: Pull-up resistor option register 0
- PM0: Port mode register 0
- PMS: Port mode select register
- RD: Read signal
- WRxx: Write signal

Figure 4-4. Block Diagram of P03



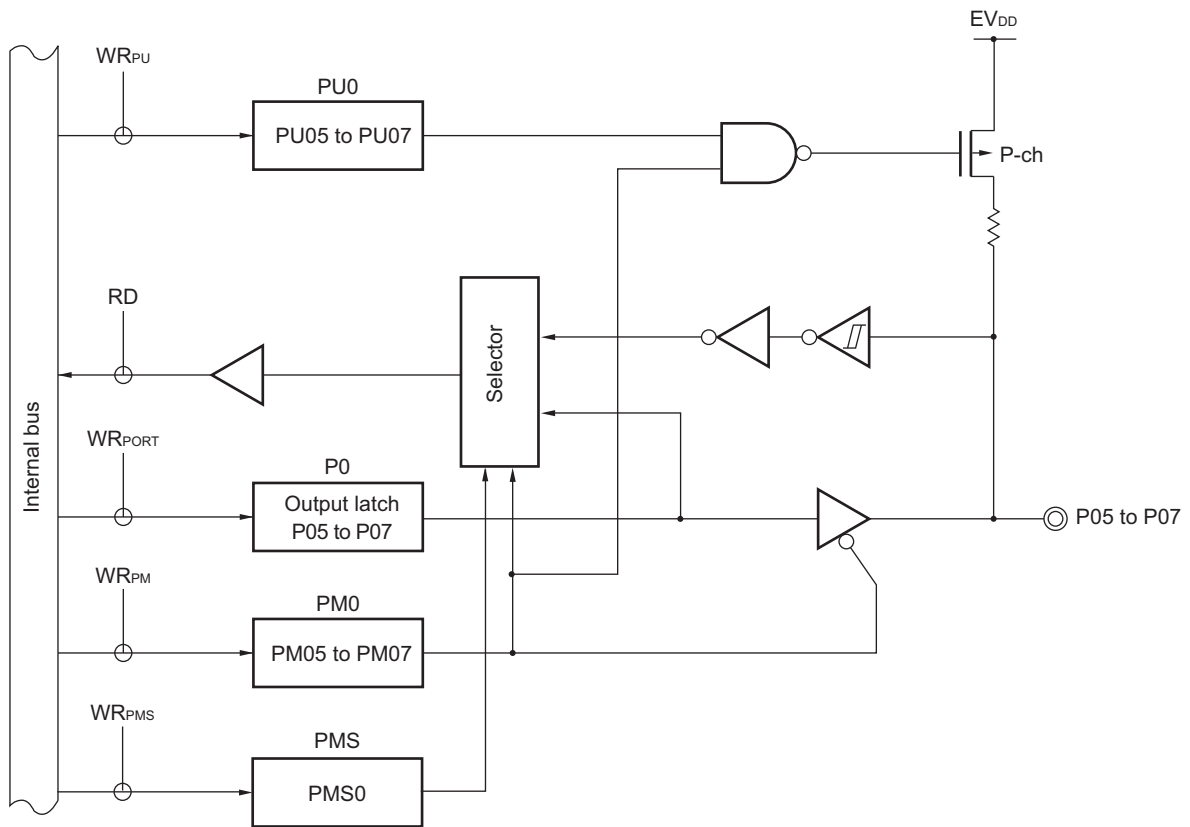
- P0: Port register 0
- PU0: Pull-up resistor option register 0
- PM0: Port mode register 0
- PMS: Port mode select register
- RD: Read signal
- WR_{xx}: Write signal

Figure 4-5. Block Diagram of P04



- P0: Port register 0
- PU0: Pull-up resistor option register 0
- PM0: Port mode register 0
- PMS: Port mode select register
- RD: Read signal
- WR_{xx}: Write signal

Figure 4-6. Block Diagram of P05 to P07



- P0: Port register 0
- PU0: Pull-up resistor option register 0
- PM0: Port mode register 0
- PMS: Port mode select register
- RD: Read signal
- WR_{xx}: Write signal

4.2.2 Port 1

Port 1 is an I/O port with an output latch. Port 1 can be set to the input mode or output mode in 1-bit units using port mode register 1 (PM1). When the P10 to P17 pins are used as an input port, use of an on-chip pull-up resistor can be specified in 1-bit units by pull-up resistor option register 1 (PU1).

Input to the P10, P11, P13, P14, P16, and P17 pins can be specified through a normal input buffer or a TTL input buffer in 1-bit units using port input mode register 1 (PIM1).

Output from the P10 to P17 pins can be specified as N-ch open-drain output (EV_{DD} tolerance) in 1-bit units using port output mode register 1 (POM1).

Input to the P10, P11, P13, P14, P16, and P17 pins can be specified through an input buffer in 1-bit units using the port input threshold control register 1 (PITHL1).

This port can also be used for data I/O and clock I/O for serial interfaces (simplified IIC, CSI, and UART), serial data I/O for LIN, serial data I/O for CAN, real-time clock correction clock output, programming UART I/O, timer I/O, external interrupt request input, and SNOOZE status output.

Reset signal generation sets this port to input mode.

Table 4-4. Settings of Registers When Using Port 1 (1/3)

Pin name		PM1x	PIM1x	POM1x	PITHL1x	Alternate Function Setting ^{Note 11}	Remark
Name	I/O						
P10	Input	1	0	x	0	x	CMOS input (Schmitt1 input)
					1		CMOS input (Schmitt3 input)
					1		x
	Output	0	x	0	x	SCK10/SCL10 output = 1 ^{Note 1} TO13 output = 0 ^{Note 2} TRJ00 output = 0 ^{Note 3} LTXD1 output = 1 ^{Note 8} CTXD0 output = 1 ^{Note 9}	CMOS output
			x	1	x		N-ch O.D output
P11	Input	1	0	x	0	x	CMOS input (Schmitt1 input)
					1		CMOS input (Schmitt3 input)
					1		x
	Output	0	x	0	x	SDA10 output = 1 ^{Note 4} TO12 output = 0 ^{Note 2} (TRDIOB0 output = 0) ^{Note 5}	CMOS output
			x	1	x		N-ch O.D output
P12	Input	1	–	x	–	x	
	Output	0	–	0	–	TO11 output = 0 ^{Note 2} SO10/TXD1 output = 1 ^{Note 4} SNZOUT3 output = 0 ^{Note 7} (TRDIOD0 output = 0) ^{Note 5}	CMOS output
			–	1	–		N-ch O.D output

(Notes and Remark are listed on the bottom of Table 4-4 Settings of Registers When Using Port 1 (3/3).)

Table 4-4. Settings of Registers When Using Port 1 (2/3)

Pin name		PM1x	PIM1x	POM1x	PITHL1x	Alternate Function Setting ^{Note 11}	Remark
Name	I/O						
P13	Input	1	0	x	0	x	CMOS input (Schmitt1 input)
					1		CMOS input (Schmitt3 input)
			1	x	x		x
	Output	0	x	0	x	TRDIOA0 output = 0 ^{Note 5} SDA01 output = 1 ^{Note 4} TO04 output = 0 ^{Note 2} LTXD0 output = 1 ^{Note 8}	CMOS output
			x	1	x		N-ch O.D output
P14	Input	1	0	x	0	x	CMOS input (Schmitt1 input)
					1		CMOS input (Schmitt3 input)
			1	x	x		x
	Output	0	x	0	x	TRDIOC0 output = 0 ^{Notes 5, 10} $\overline{\text{SCK01/SCL01}}$ output = 1 ^{Note 1} TO06 output = 0 ^{Note 2}	CMOS output
			x	1	x		N-ch O.D output
P15	Input	1	–	x	–	x	
	Output	0	–	0	–	TRDIOA1 output = 0 ^{Note 5} TO05 output = 0 ^{Note 2} SO00 output/TXD0 output = 1 ^{Note 4} RTC1HZ output = 0 ^{Note 6} (TRDIOA0 output = 0) ^{Note 5}	CMOS output
			–	1	–		N-ch O.D output
P16	Input	1	0	x	0	x	CMOS input (Schmitt1 input)
					1		CMOS input (Schmitt3 input)
			1	x	x		x
	Output	0	x	0	x	SDA00 output = 1 ^{Note 4} TRDIOC1 output = 0 ^{Note 5} TO02 output = 0 ^{Note 2}	CMOS output
			x	1	x		N-ch O.D output

(Notes and Remark are listed on the next page.)

Table 4-4. Settings of Registers When Using Port 1 (3/3)

Pin name		PM1x	PIM1x	POM1x	PITHL1x	Alternate Function Setting ^{Note 11}	Remark
Name	I/O						
P17	Input	1	0	x	0	x	CMOS input (Schmitt1 input)
					1		CMOS input (Schmitt3 input)
	1	1	x	x	x	TTL input	
	Output	0	x	0	x	TRDIOB1 output = 0 ^{Note 5} SCK00/SCL00 output = 1 ^{Note 1} TO00 output = 0 ^{Note 2}	CMOS output
x			1	x	N-ch O.D output		

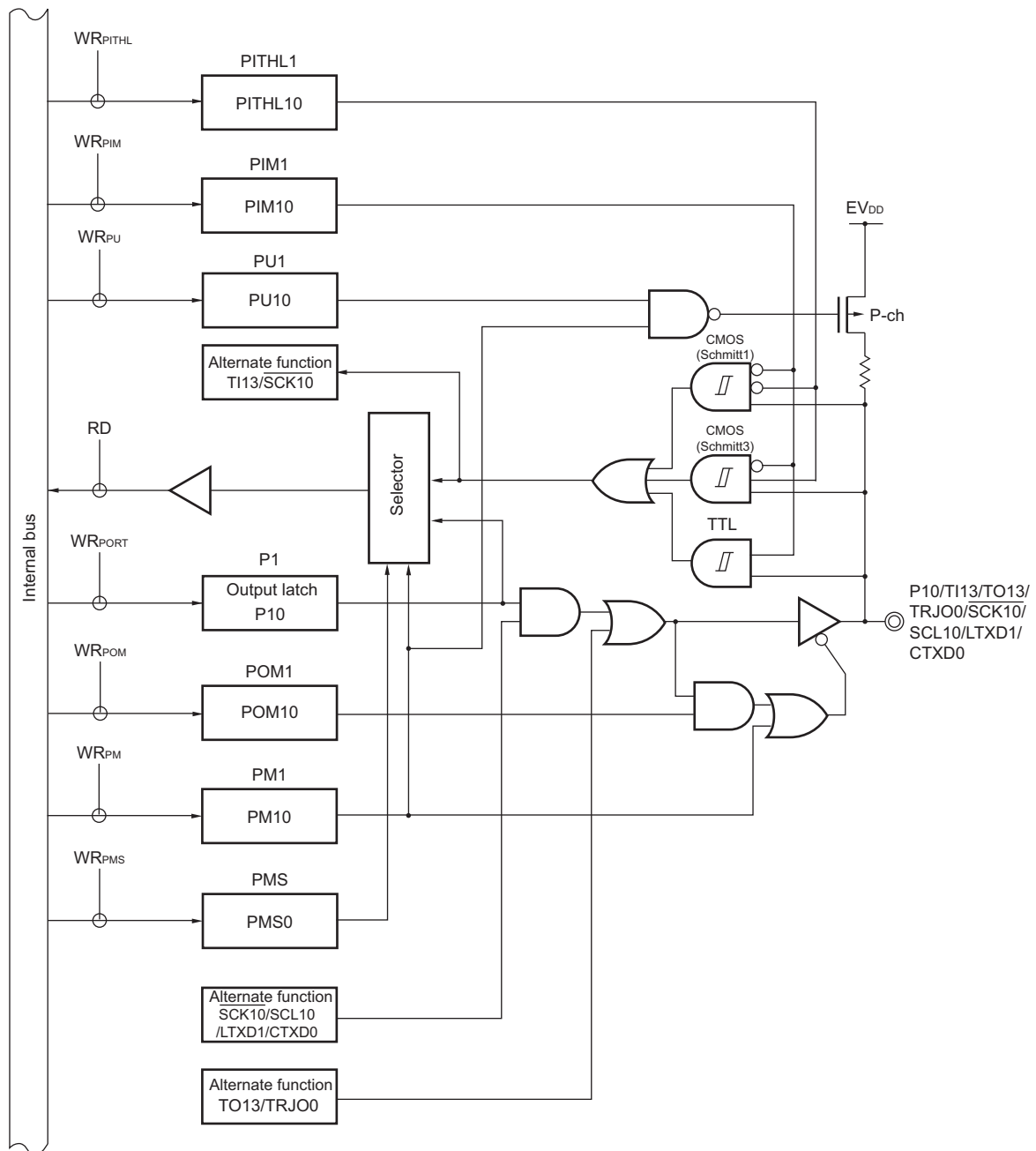
- Notes**
1. When a pin sharing the serial array unit function is to be used as a general-purpose port pin, the CKOm_n bit of the serial output register m (SOm), the SOEm_n bit of the serial output enable register m (SOEm), and the SEM_n bit of the serial channel enable status register m (SEm) corresponding to the target unit and channel must have the same setting as its initial value (m = 0, 1, 2, n = 0, 1).
 2. When a pin sharing a timer output function of the timer array unit is to be used as a general-purpose port pin, the TOm_n bit of the timer output register m (TOm) and the TOEm_n bit of the timer output enable register m (TOEm) corresponding to the target unit and channel must have the same setting as in the initial state (m = 0, 1, 2, n = 0 to 7).
 3. When a pin sharing the timer output function of the timer RJ is to be used as a general-purpose port pin, the bit 2 (TOENA) of the timer RJ I/O control register 0 (TRJIOC0) must have the same setting as its initial value.
 4. When a pin sharing the serial array unit function is to be used as a general-purpose port pin, the SOm_n bit of the serial output register m (SOm), the SOEm_n bit of the serial output enable register m (SOEm), and the SEM_n bit of the serial channel enable status register m (SEm) corresponding to the target unit and channel must have the same setting as its initial value (m = 0, 1, 2, n = 0, 1).
 5. When a pin sharing a timer RD function is to be used as a general-purpose port pin, the target bit for TRDIO_{ij} pin output control in the timer RD output master enable register 1 (TRDOER1) must have the same setting as its initial value (i = A, B, C, D, j = 0, 1)
 6. When a pin sharing the RTC1HZ output (1Hz) function is to be used as a general-purpose port pin, the RCLOE1 bit of the real-time clock control register 0 (RTCC0) must have the same setting as its initial value.
 7. When a pin sharing the SNOOZE status output function is to be used as a general-purpose port pin, the OUTEN0 to OUTEN7 bits of the SNOOZE status output control registers 0, 1, 2, 3 (PSNZCNT0, 1, 2, 3) must have the same setting as its initial value.
 8. When a pin sharing the serial data output function of the LIN is to be used as a general-purpose port pin, operation of the corresponding LIN must be stopped.
 9. When a pin sharing the serial data output function of the CAN is to be used as a general-purpose port pin, operation of the corresponding CAN must be stopped.
 10. When the SNOOZE status output is in use, output from TRDIOC0 is stopped.
 11. Functions in parentheses can be assigned via settings in the peripheral I/O redirection register 7 (PIOR7).

Remark

- x: Don't care
- PM1x: Port mode register 1
- PIM1x: Port input mode register 1
- POM1x: Port output mode register 1
- PITHL1X: Port input threshold control register 1

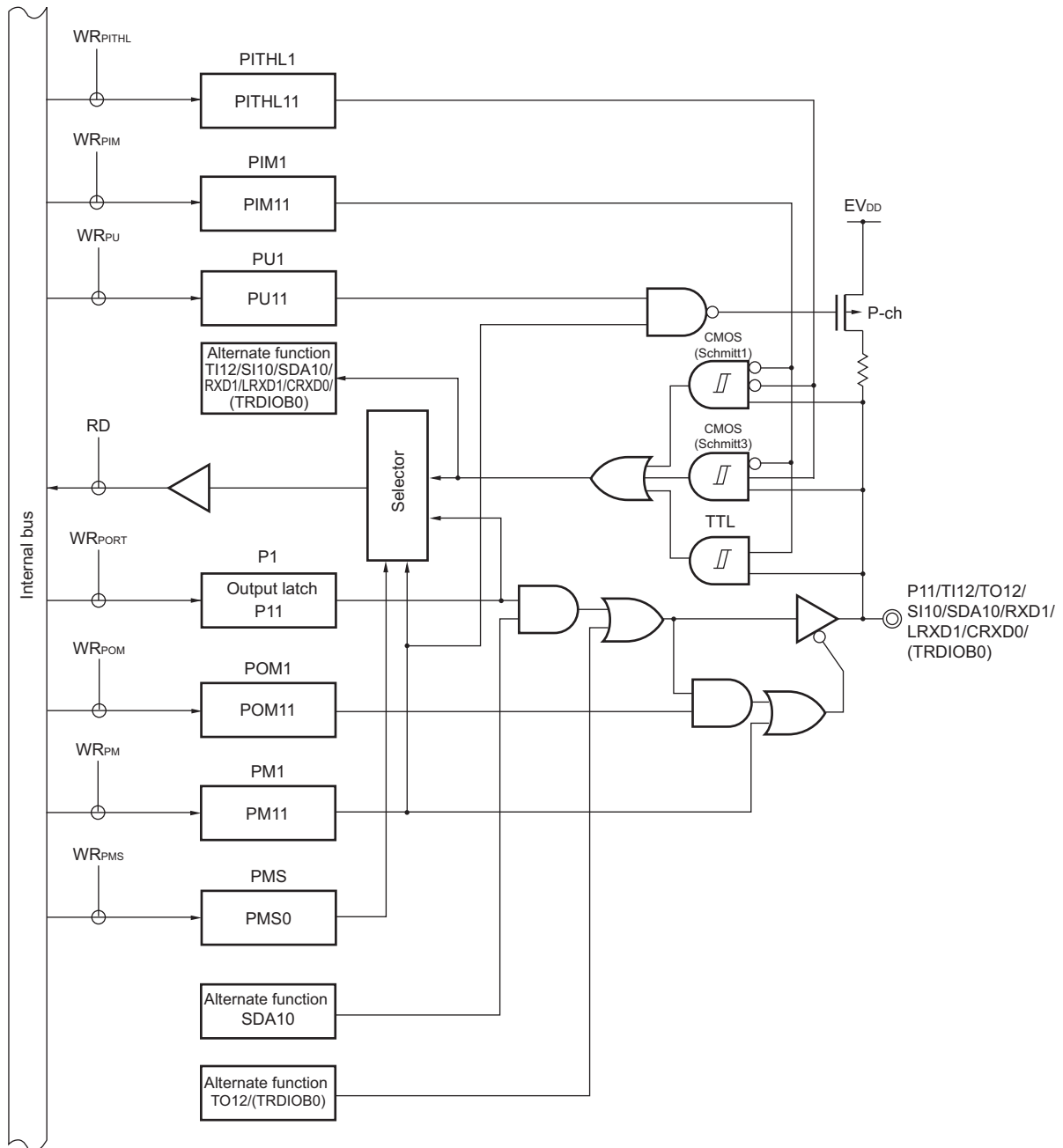
Figures 4-7 to 4-14 show block diagrams of port 1 for 144-pin products.

Figure 4-7. Block Diagram of P10



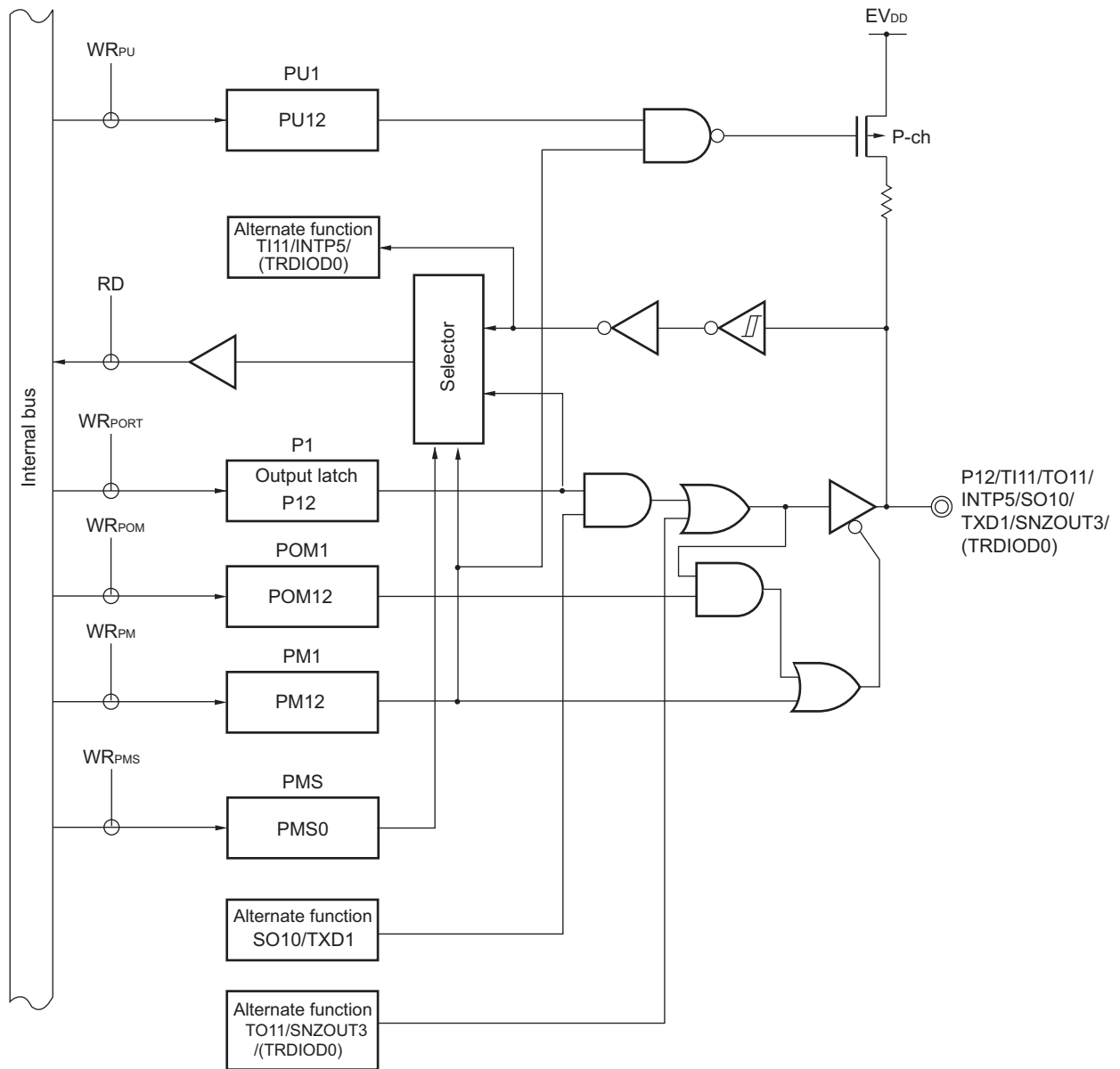
- P1: Port register 1
- PU1: Pull-up resistor option register 1
- PM1: Port mode register 1
- PIM1: Port input mode register 1
- POM1: Port output mode register 1
- PMS: Port mode select register
- PITHL1: Port input threshold control register 1
- RD: Read signal
- WR_{xx}: Write signal

Figure 4-8. Block Diagram of P11



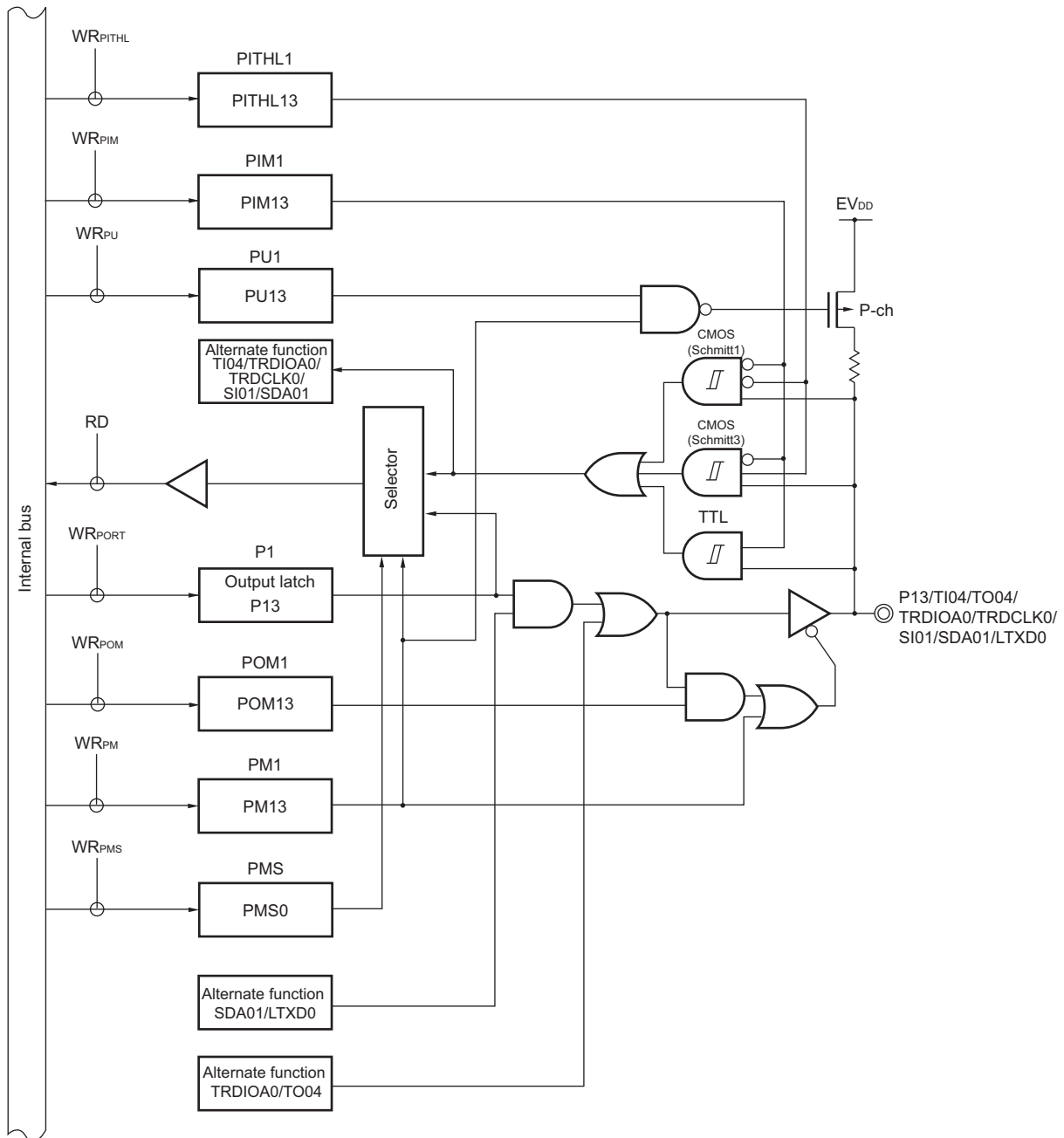
- P1: Port register 1
- PU1: Pull-up resistor option register 1
- PM1: Port mode register 1
- PIM1: Port input mode register 1
- POM1: Port output mode register 1
- PMS: Port mode select register
- PITHL1: Port input threshold control register 1
- RD: Read signal
- WR_{xx}: Write signal

Figure 4-9. Block Diagram of P12



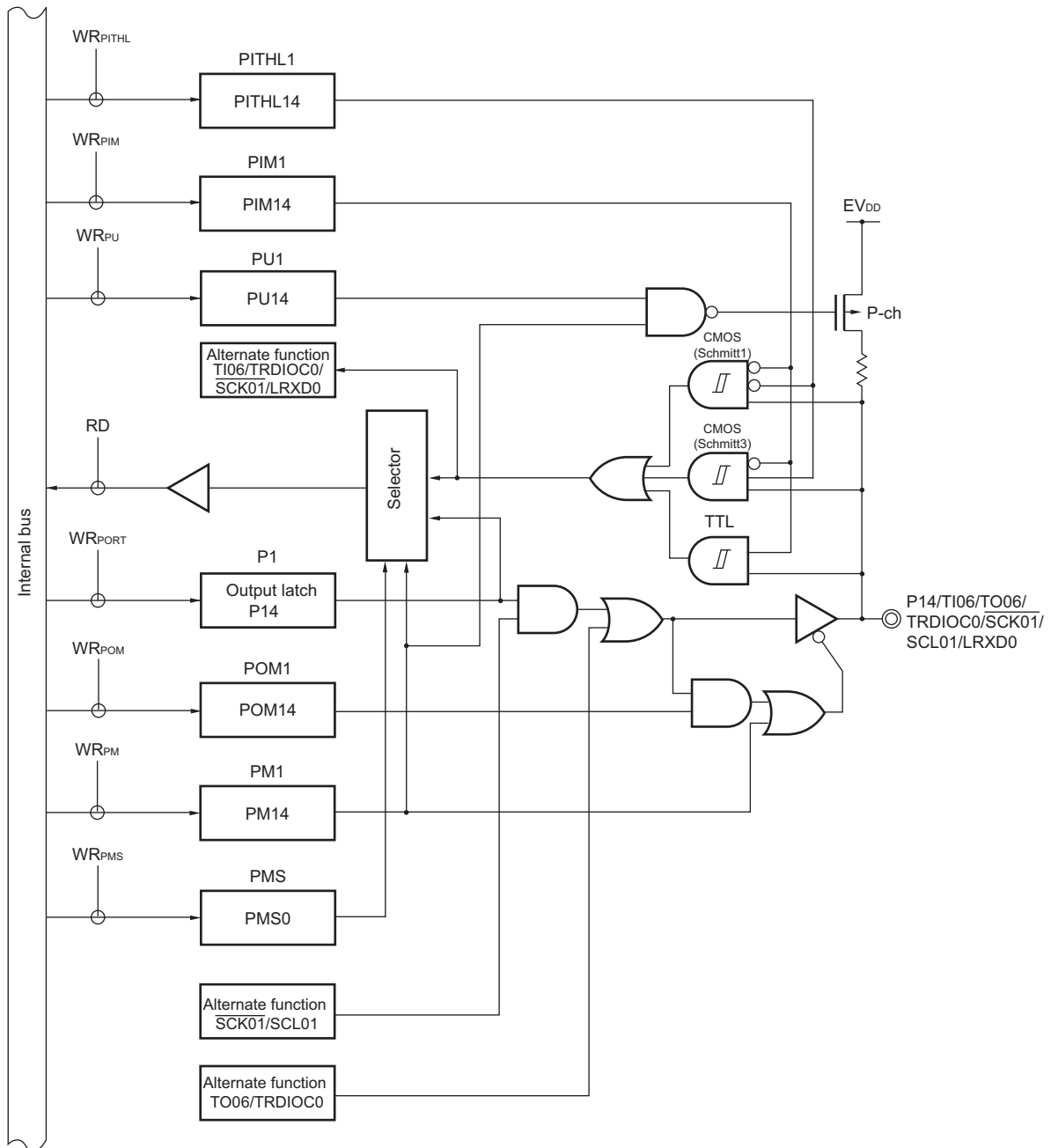
- P1: Port register 1
- PU1: Pull-up resistor option register 1
- PM1: Port mode register 1
- POM1: Port output mode register 1
- PMS: Port mode select register
- RD: Read signal
- WRxx: Write signal

Figure 4-10. Block Diagram of P13



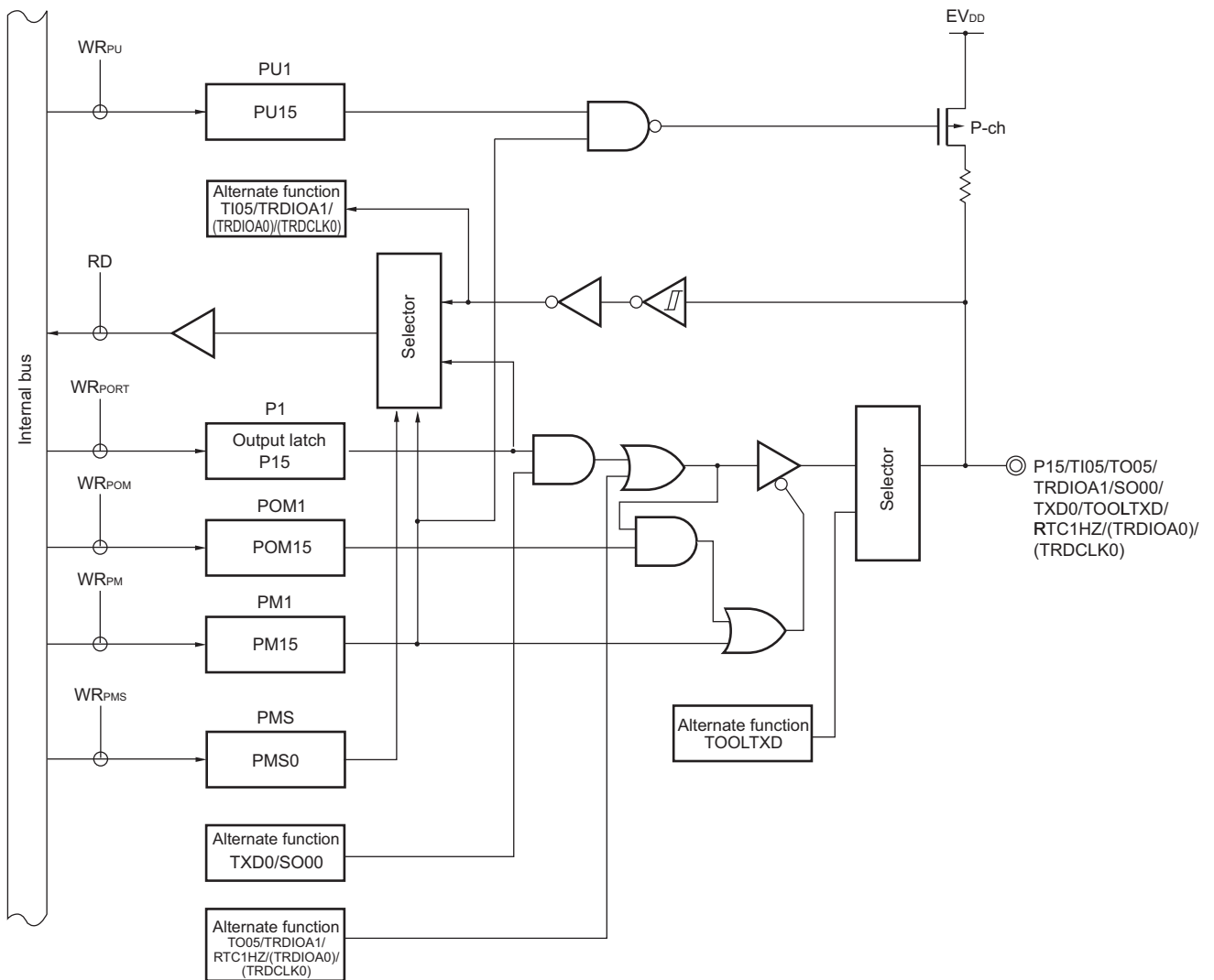
- P1: Port register 1
- PU1: Pull-up resistor option register 1
- PM1: Port mode register 1
- PIM1: Port input mode register 1
- POM1: Port output mode register 1
- PMS: Port mode select register
- PITHL1: Port input threshold control register 1
- RD: Read signal
- WR_{xx}: Write signal

Figure 4-11. Block Diagram of P14



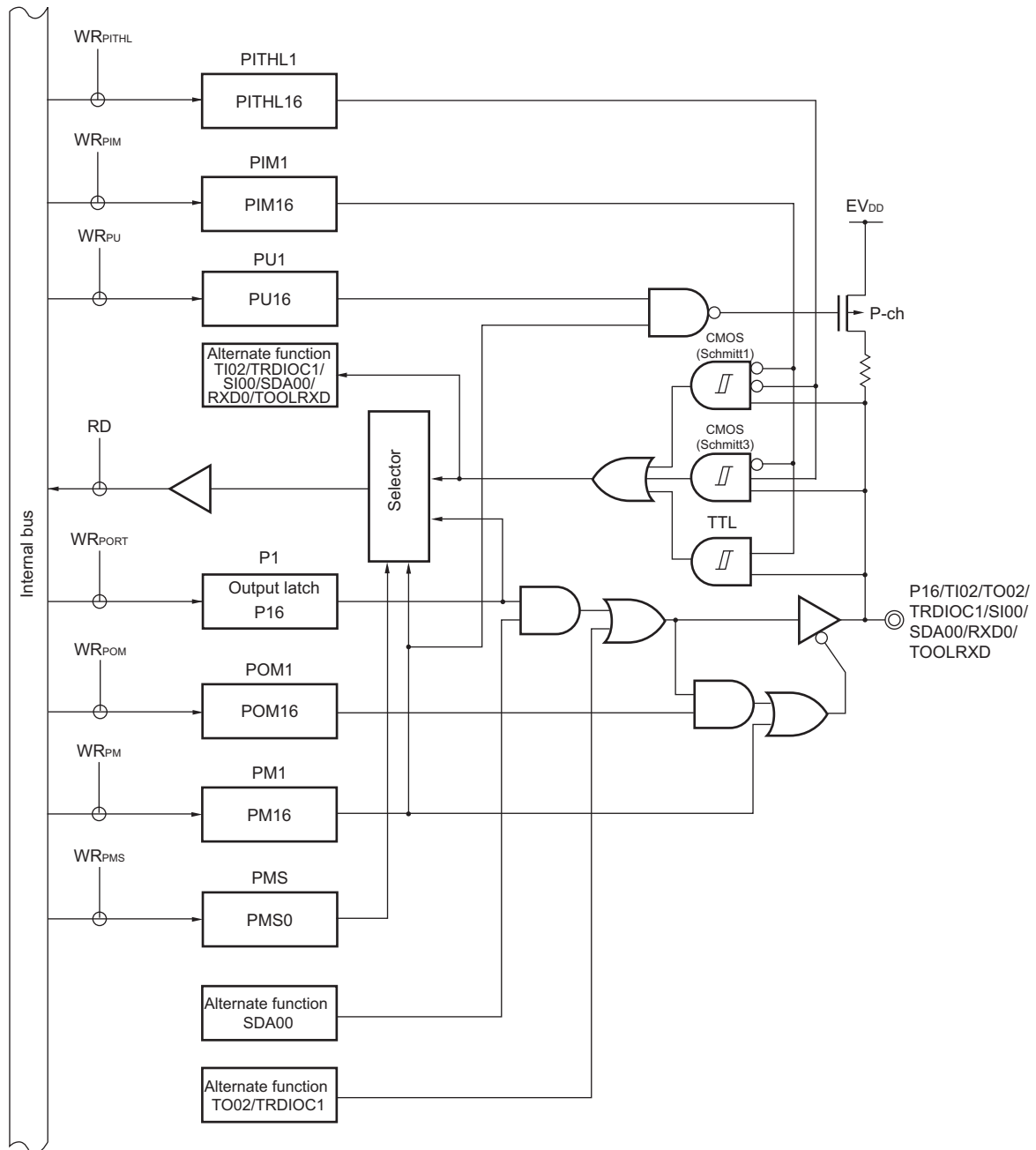
- P1: Port register 1
- PU1: Pull-up resistor option register 1
- PM1: Port mode register 1
- PIM1: Port input mode register 1
- POM1: Port output mode register 1
- PMS: Port mode select register
- PITHL1: Port input threshold control register 1
- RD: Read signal
- WR_{xx}: Write signal

Figure 4-12. Block Diagram of P15



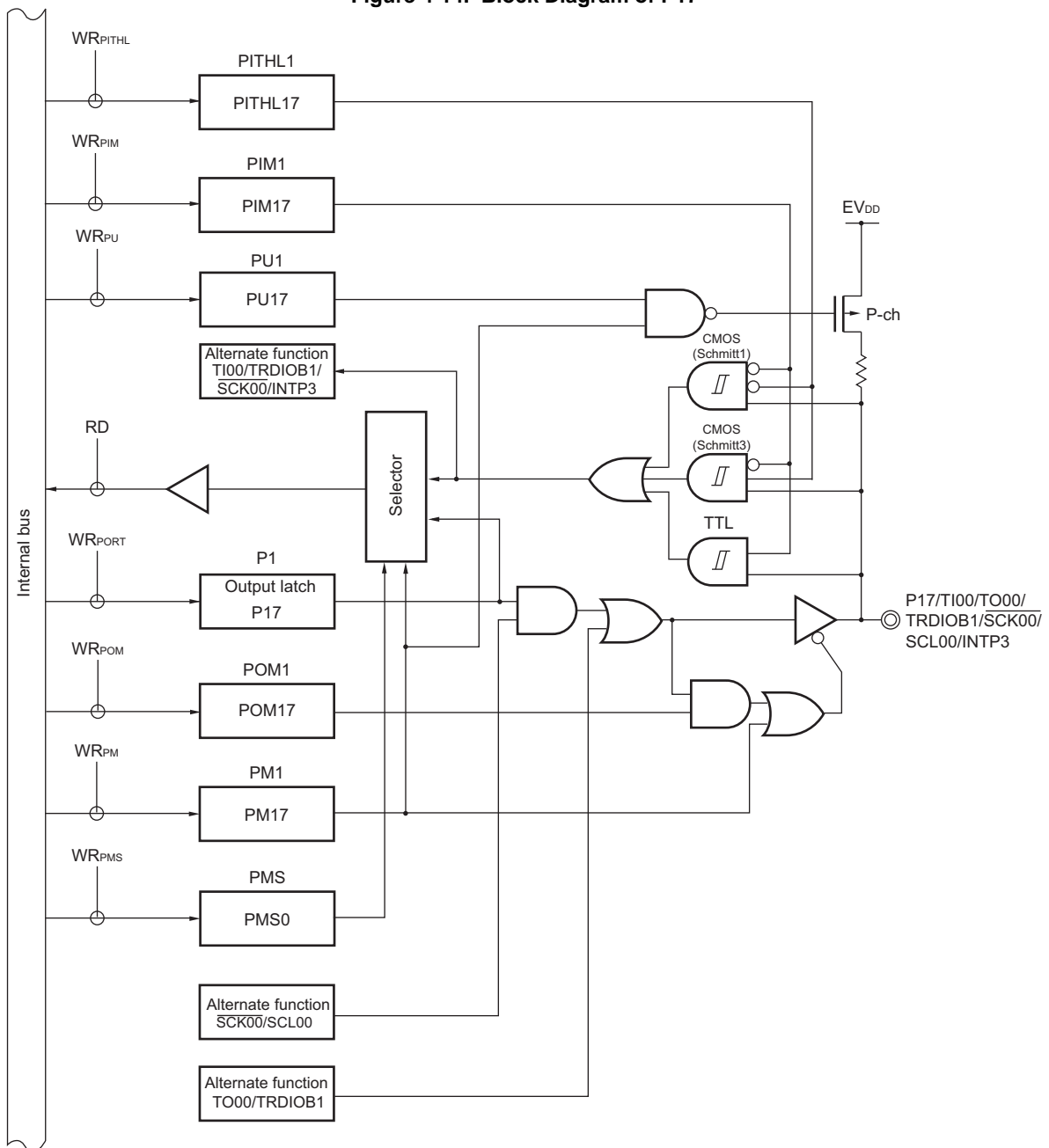
- P1: Port register 1
- PU1: Pull-up resistor option register 1
- PM1: Port mode register 1
- POM1: Port output mode register 1
- PMS: Port mode select register
- RD: Read signal
- WR_{xx}: Write signal

Figure 4-13. Block Diagram of P16



- P1: Port register 1
- PU1: Pull-up resistor option register 1
- PM1: Port mode register 1
- PIM1: Port input mode register 1
- POM1: Port output mode register 1
- PMS: Port mode select register
- PITHL1: Port input threshold control register 1
- RD: Read signal
- WR_{xx}: Write signal

Figure 4-14. Block Diagram of P17



- P1: Port register 1
- PU1: Pull-up resistor option register 1
- PM1: Port mode register 1
- PIM1: Port input mode register 1
- POM1: Port output mode register 1
- PMS: Port mode select register
- PITHL1: Port input threshold control register 1
- RD: Read signal
- WR_{xx}: Write signal

4.2.3 Port 2

Port 1 is an I/O port with an output latch. Port 1 can be set to the input mode or output mode in 1-bit units using port mode register 2 (PM2). When the P20 to P27 pins are used as an input port, use of an on-chip pull-up resistor can be specified in 1-bit units by pull-up resistor option register 2 (PU2).

Input to the P20, P21, P24, and P25 pins can be specified through an input buffer in 1-bit units using the port input threshold control register 2 (PITHL2).

This port can also be used for data I/O and clock I/O for serial interfaces (CSI, UART).

Reset signal generation sets this port to input mode.

Table 4-5. Settings of Registers When Using Port 2

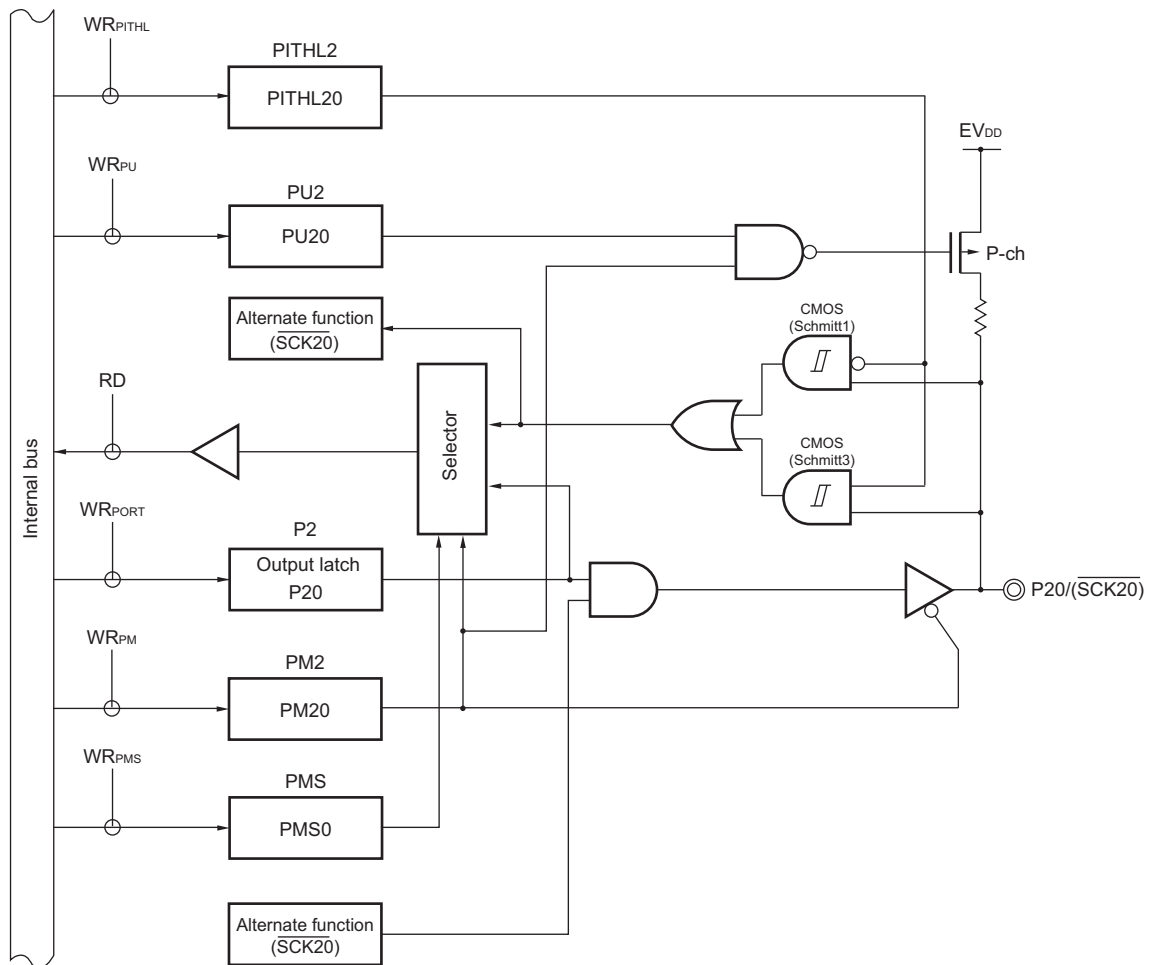
Pin name		PM2x	PITHL2x	Alternate Function Setting ^{Note 3}	Remark
Name	I/O				
P20	Input	1	0	x	CMOS input (Schmitt1 input)
			1		CMOS input (Schmitt3 input)
	Output	0	x	(SCK20 output = 1) ^{Note 1}	
P21	Input	1	0	x	CMOS input (Schmitt1 input)
			1		CMOS input (Schmitt3 input)
	Output	0	x		
P22	Input	1	–	x	
	Output	0	–	(SO20)/(TXD2) output = 1 ^{Note 2}	
P23	Input	1	–	x	
	Output	0	–	x	
P24	Input	1	0	x	CMOS input (Schmitt1 input)
			1		CMOS input (Schmitt3 input)
	Output	0	x	(SCK21) output = 1 ^{Note 1}	
P25	Input	1	0	x	CMOS input (Schmitt1 input)
			1		CMOS input (Schmitt3 input)
	Output	0	x	x	
P26	Input	1	–	x	
	Output	0	–	(SO21 output = 1) ^{Note 2}	
P27	Input	1	–	x	
	Output	0	–	x	

- Notes**
1. When a pin sharing the serial array unit function is to be used as a general-purpose port pin, the CKOm_n bit of the serial output register m (SOM), the SOEm_n bit of the serial output enable register m (SOEm), and the SEM_n bit of the serial channel enable status register m (SEm) corresponding to the target unit and channel must have the same setting as its initial value (m = 0, 1, 2, n = 0, 1).
 2. When a pin sharing the serial array unit function is to be used as a general-purpose port pin, the SOM_n bit of the serial output register m (SOM), the SOEm_n bit of the serial output enable register m (SOEm), and the SEM_n bit of the serial channel enable status register m (SEm) corresponding to the target unit and channel must have the same setting as its initial value (m = 0, 1, 2, n = 0, 1)..
 3. Functions in parentheses can be assigned via settings in the peripheral I/O redirection register 9 (PIOR9).

Remark x: Don't care
 PM2x: Port mode register 2
 PITHL2X: Port input threshold control register 2

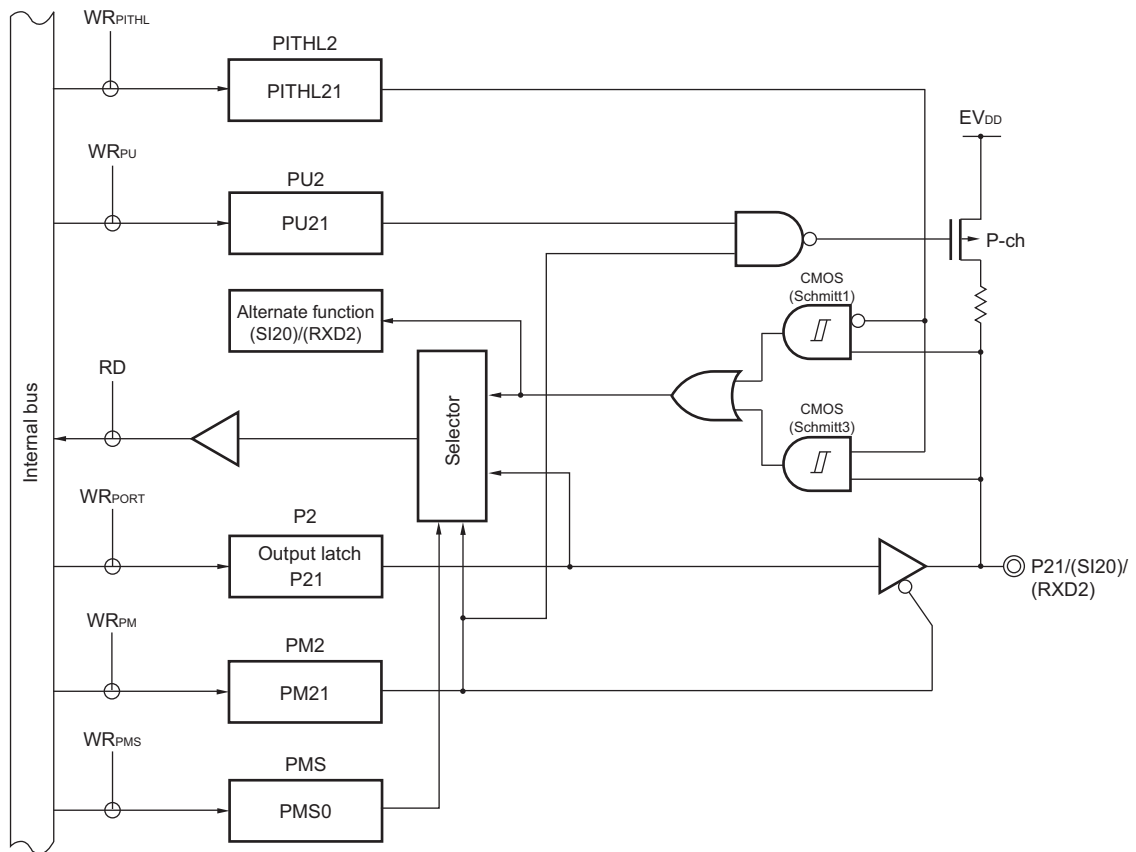
Figures 4-15 to 4-21 show block diagrams of port 2 for 144-pin products.

Figure 4-15. Block Diagram of P20



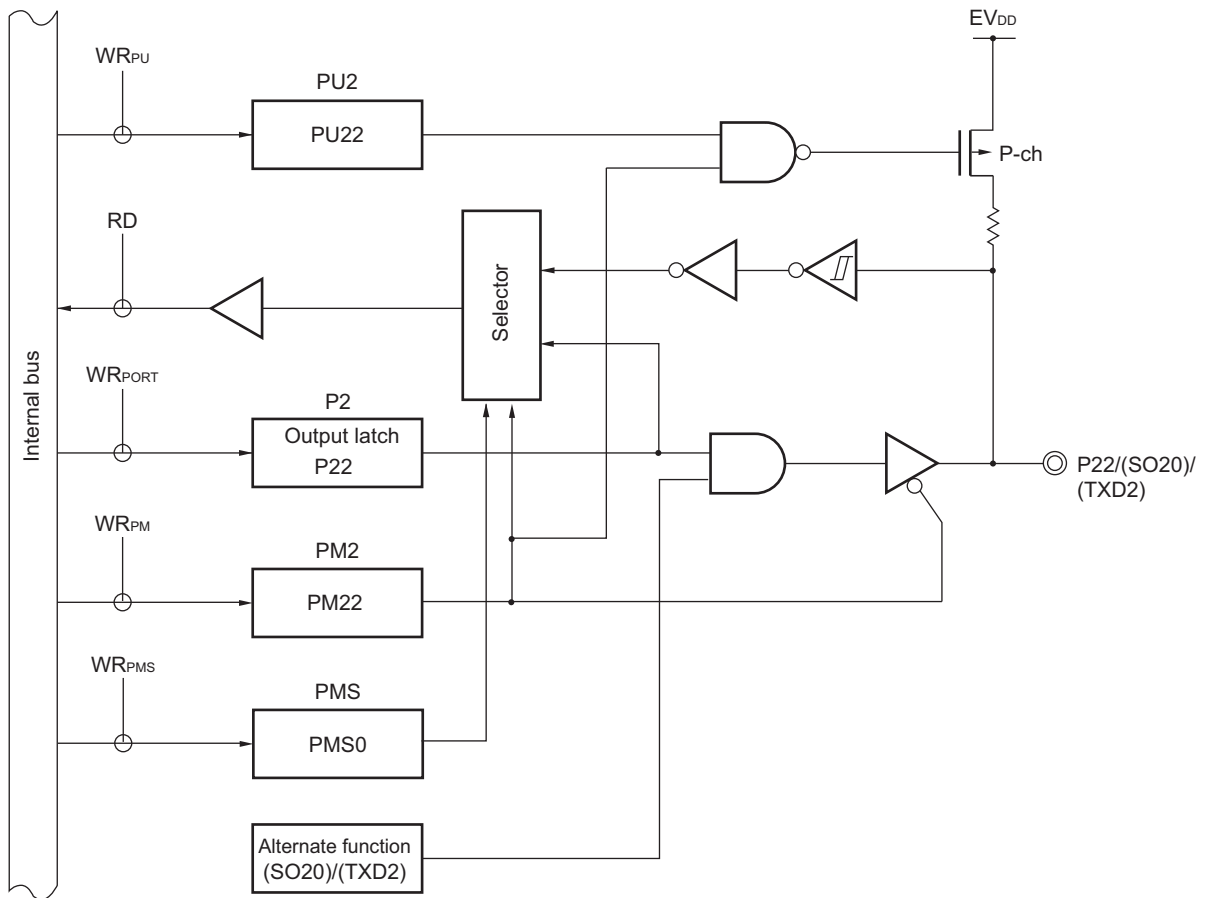
- P2: Port register 2
- PU2: Pull-up resistor option register 2
- PM2: Port mode register 2
- PMS: Port mode select register
- PITHL2: Port input threshold control register 2
- RD: Read signal
- WR_{xx}: Write signal

Figure 4-16. Block Diagram of P21



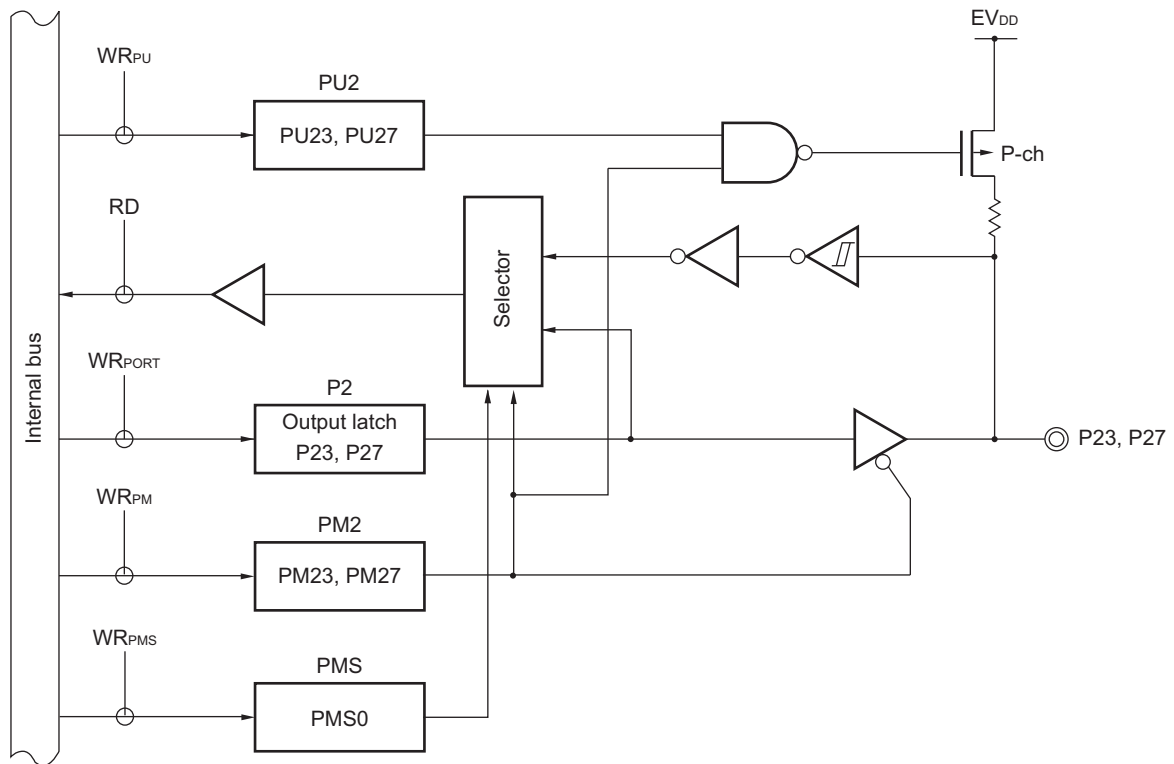
- P2: Port register 2
- PU2: Pull-up resistor option register 2
- PM2: Port mode register 2
- PMS: Port mode select register
- PITHL2: Port input threshold control register 2
- RD: Read signal
- WRxx: Write signal

Figure 4-17. Block Diagram of P22



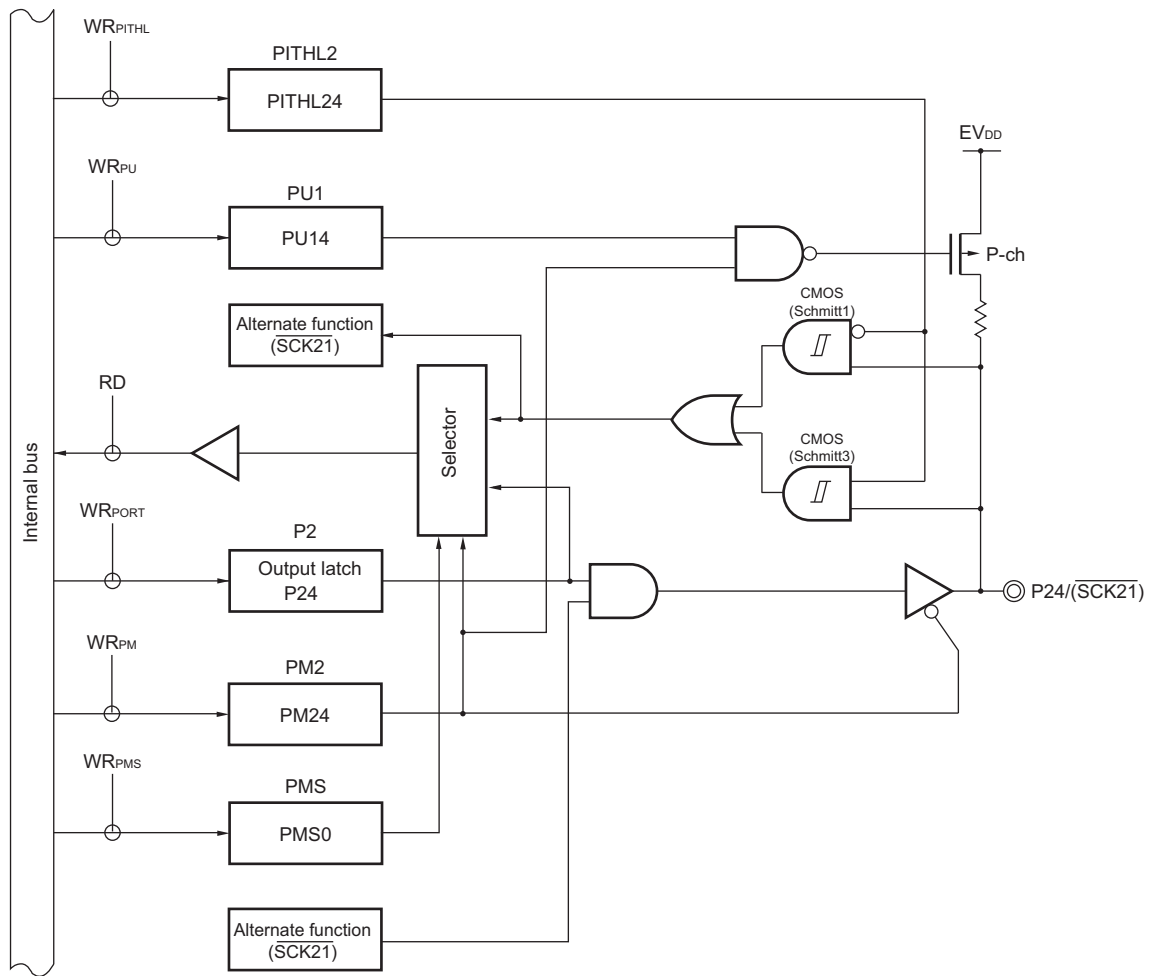
- P2: Port register 2
- PU2: Pull-up resistor option register 2
- PM2: Port mode register 2
- PMS: Port mode select register
- RD: Read signal
- WR_{xx}: Write signal

Figure 4-18. Block Diagram of P23, P27



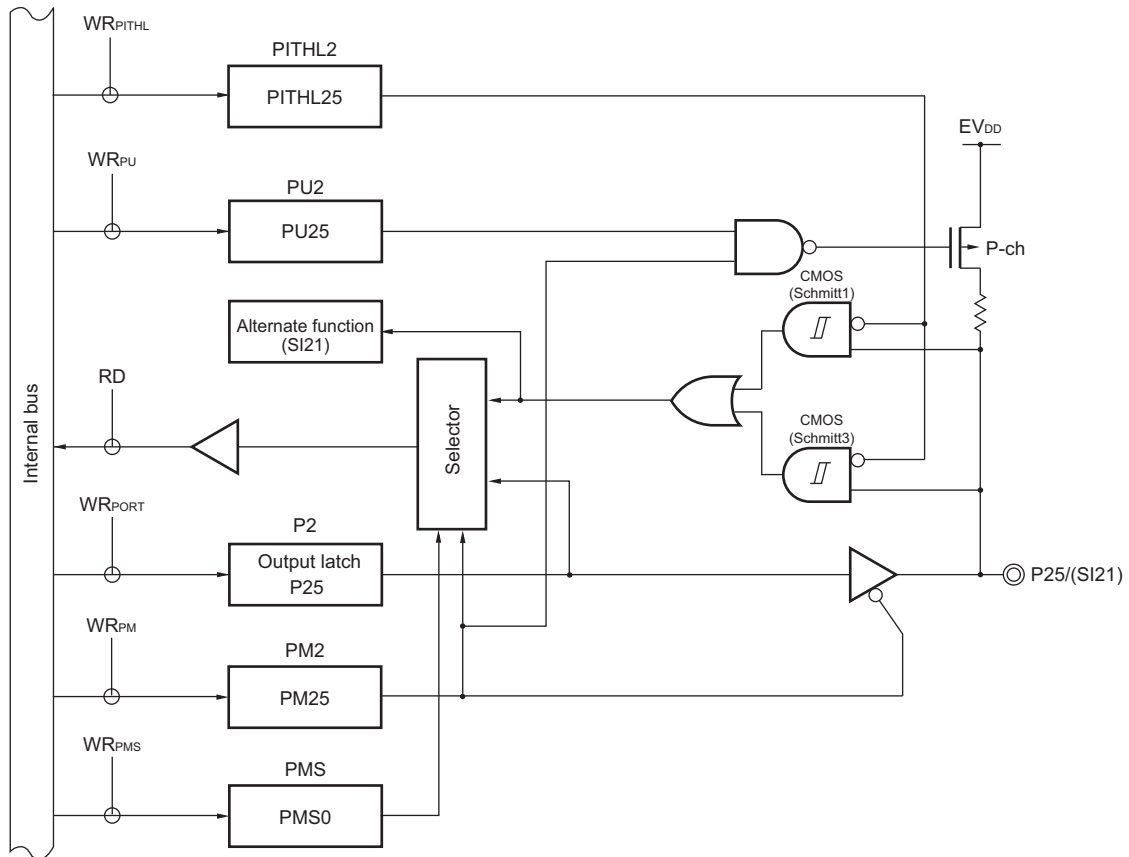
- P2: Port register 2
- PU2: Pull-up resistor option register 2
- PM2: Port mode register 2
- PMS: Port mode select register
- RD: Read signal
- WR_{xx}: Write signal

Figure 4-19. Block Diagram of P24



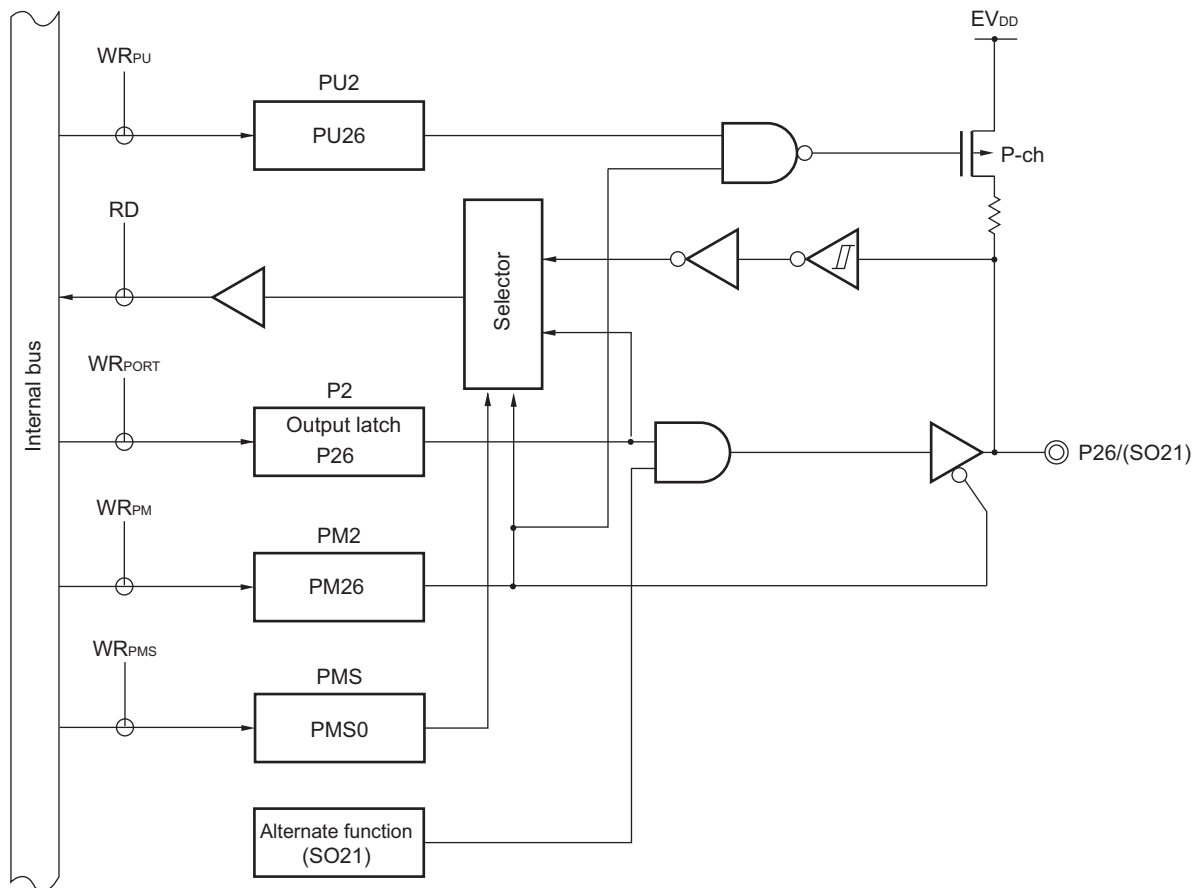
- P2: Port register 2
- PU2: Pull-up resistor option register 2
- PM2: Port mode register 2
- PMS: Port mode select register
- PITHL2: Port input threshold control register 2
- RD: Read signal
- WR_{xx}: Write signal

Figure 4-20. Block Diagram of P25



- P2: Port register 2
- PU2: Pull-up resistor option register 2
- PM2: Port mode register 2
- PMS: Port mode select register
- PITHL2: Port input threshold control register 2
- RD: Read signal
- WR_{xx}: Write signal

Figure 4-21. Block Diagram of P26



- P2: Port register 2
- PU2: Pull-up resistor option register 2
- PM2: Port mode register 2
- PMS: Port mode select register
- RD: Read signal
- WR_{xx}: Write signal

4.2.4 Port 3

Port 3 is an I/O port with an output latch. Port 3 can be set to the input mode or output mode in 1-bit units using port mode register 3 (PM3). When the P30 to P32, P35 to P37 pins are used as an input port, use of an on-chip pull-up resistor can be specified in 1-bit units by pull-up resistor option register 3 (PU3).

Input to the P30 pin can be specified through a normal input buffer or a TTL input buffer in 1-bit units using port input mode register 3 (PIM3). For the P30, P37 pin input, the threshold of the input buffer can be specified in 1-bit units using the port input threshold control register 3 (PITHL3).

This port can also be used for external interrupt request input, timer I/O, serial interface slave select input, SNOOZE status output, CAN serial data I/O, and STOP status output.

P33 and P34 can also be used for A/D converter analog input and reference voltage input (+side and – side).

To use P33/ANI0 and P34/ANI1 as digital I/O pins, set them in the digital I/O mode by using the A/D port configuration register (ADPC) and in the input mode or the output mode by using the PM3 register. Use these pins starting from the upper bit.

To use P33/ANI0 and P34/ANI1 as analog I/O pins, set them in the analog I/O mode by using the A/D port configuration register (ADPC) and in the input mode by using the PM3 register. Use these pins starting from the lower bit.

Reset signal generation sets P30 to P32, P35 to P37 to input mode and P33/ANI0 and P34/ANI1 to analog input mode.

Table 4-6. Settings of Registers When Using Port 3

Pin name		PM3x	PIM3x	PITHL3x	Alternate Function Setting ^{Note 6}	Remark
Name	I/O					
P30	Input	1	0	0	x	CMOS input (Schmitt1 input)
				1		CMOS input (Schmitt3 input)
	Output			0	x	x
P31	Input	1	–	–	x	
	Output	0	–	–	TO14 output = 0 ^{Note 2} STOPST output = 0 ^{Note 4}	
P32	Input	1	–	–	x	
	Output	0	–	–	TO16 output = 0 ^{Note 2}	
P33	Input	1	–	–	x	
	Output	0	–	–	x	
P34	Input	1	–	–	x	
	Output	0	–	–	x	
P35	Input	1	–	–	x	
	Output	0	–	–	x	
P36	Input	1	–	–	x	
	Output	0	–	–	(CTXD1) output = 1 ^{Note 5}	
P37	Input	1	–	0	x	CMOS input (Schmitt1 input)
				1	x	CMOS input (Schmitt3 input)
	Output			0	–	x

(Notes and Remark are listed on the next page.)

- Notes**
1. When a pin sharing a timer RD function is to be used as a general-purpose port pin, the target bit for TRDIOij pin output control in the timer RD output master enable register 1 (TRDOER1) must have the same setting as its initial value (i = A, B, C, D, j = 0, 1)
 2. When a pin sharing a timer output function of the timer array unit is to be used as a general-purpose port pin, the TOmn bit of the timer output register m (TOM) and the TOEmn bit of the timer output enable register m (TOEM) corresponding to the target unit and channel must have the same setting as in the initial state (m = 0, 1, 2, n = 0 to 7).
 3. When a pin sharing the SNOOZE status output function is to be used as a general-purpose port pin, the OUTEN0 to OUTEN7 bits of the SNOOZE status output control registers 0, 1, 2, 3 (PSNZCNT0, 1, 2, 3) must have the same setting as its initial value.
 4. When a pin sharing the STOP status output function is to be used as a general-purpose port pin, the STPOEN bit of the STOP status output control register (STPSTC) must have the same setting as its initial value.
 5. When a pin sharing the serial interface CAN function is to be used as a general-purpose port pin, operation of the corresponding serial interface CAN must be stopped.
 6. Functions in parentheses can be assigned via settings in the peripheral I/O redirection registers 9 (PIOR9).

Remark

x:	Don't care
PM3x:	Port mode register 3
PIM3x:	Port input mode register 3
PITHL3x:	Port input threshold control register 3

Table 4-7. Settings of Registers When Using Port 3 (P33 and P34)

Pin Name		PM3x	ADPC	Alternate Function Setting	Remark
Name	I/O				
P3n	Input	1	01 to n-2H	—	To use P3n as a port, use these pins from the upper bit.
	Output	0	01 to n-2H		

- Remarks 1.** PM3x: Port mode register 3
ADPC: A/D port configuration register
2. n = 3 or 4

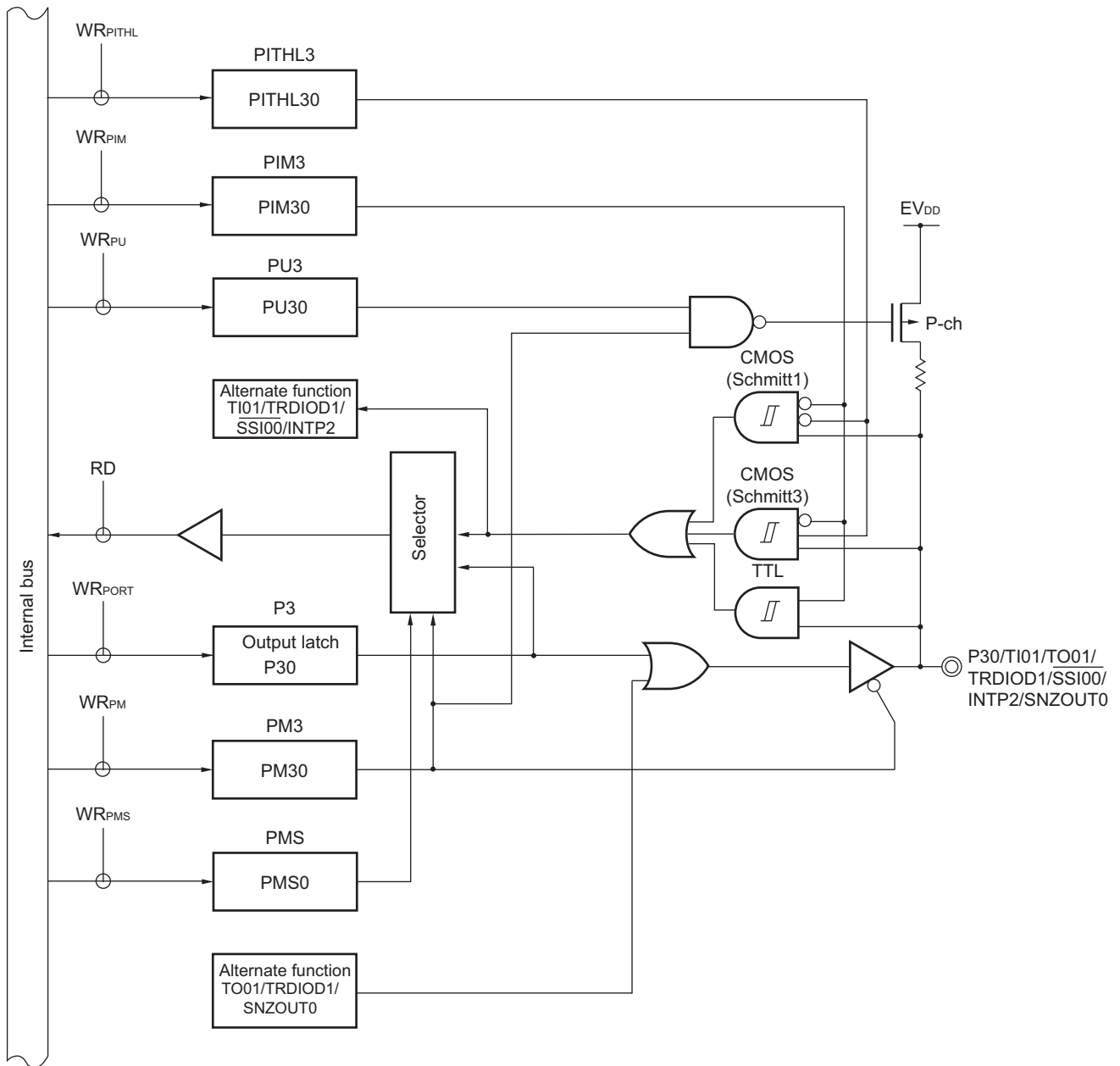
Table 4-8. Setting Functions of P33/ANI0 and P34/ANI1 Pins

ADPC Register	PM3 Register	ADS Register	P33/ANI0 and P34/ANI1 Pins
Digital I/O selection	Input mode	—	Digital input
	Output mode	—	Digital output
Analog input selection	Input mode	Selects ANI.	Analog input (to be converted)
		Does not select ANI.	Analog input (not to be converted)
	Output mode	Selects ANI.	Setting prohibited
		Does not select ANI.	

Reset signal generation sets P33/ANI0 and P34/ANI1 to analog input mode.

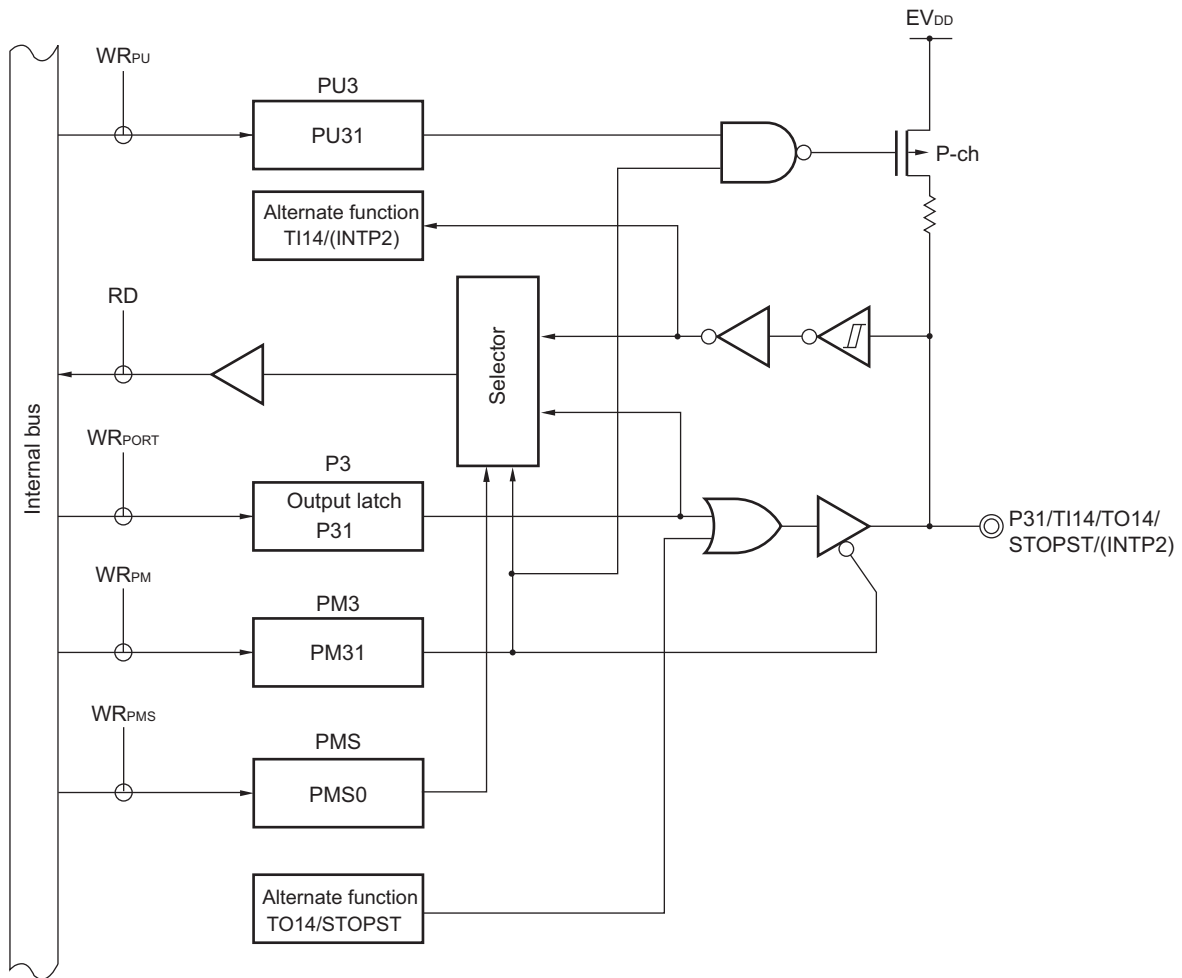
Figures 4-22 to 4-28 show block diagrams of port 3 for 144-pin products.

Figure 4-22. Block Diagram of P30



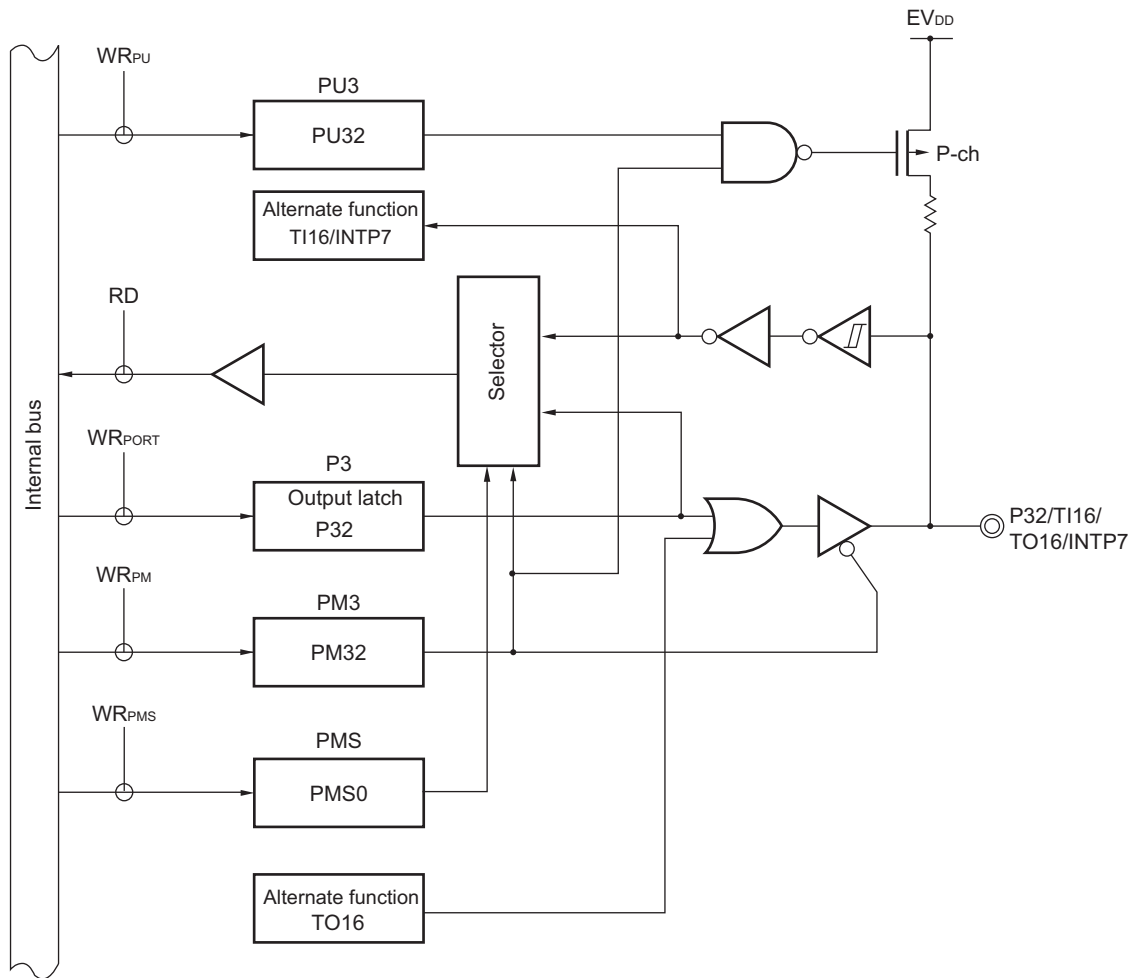
- P3: Port register 3
- PU3: Pull-up resistor option register 3
- PM3: Port mode register 3
- PIM3: Port input mode register 3
- PMS: Port mode select register
- PITHL3: Port input threshold control register 3
- RD: Read signal
- WRxx: Write signal

Figure 4-23. Block Diagram of P31



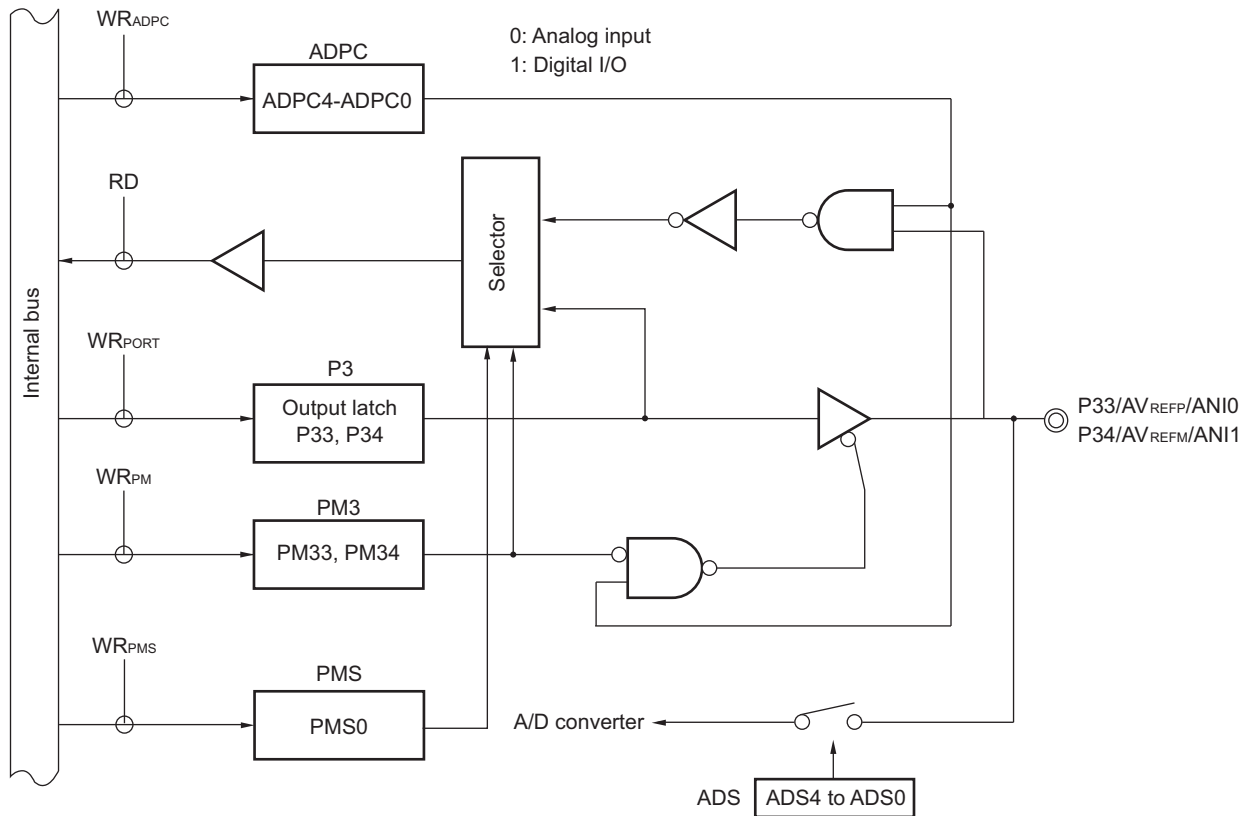
- P3: Port register 3
- PU3: Pull-up resistor option register 3
- PM3: Port mode register 3
- PMS: Port mode select register
- RD: Read signal
- WR_{xx}: Write signal

Figure 4-24. Block Diagram of P32



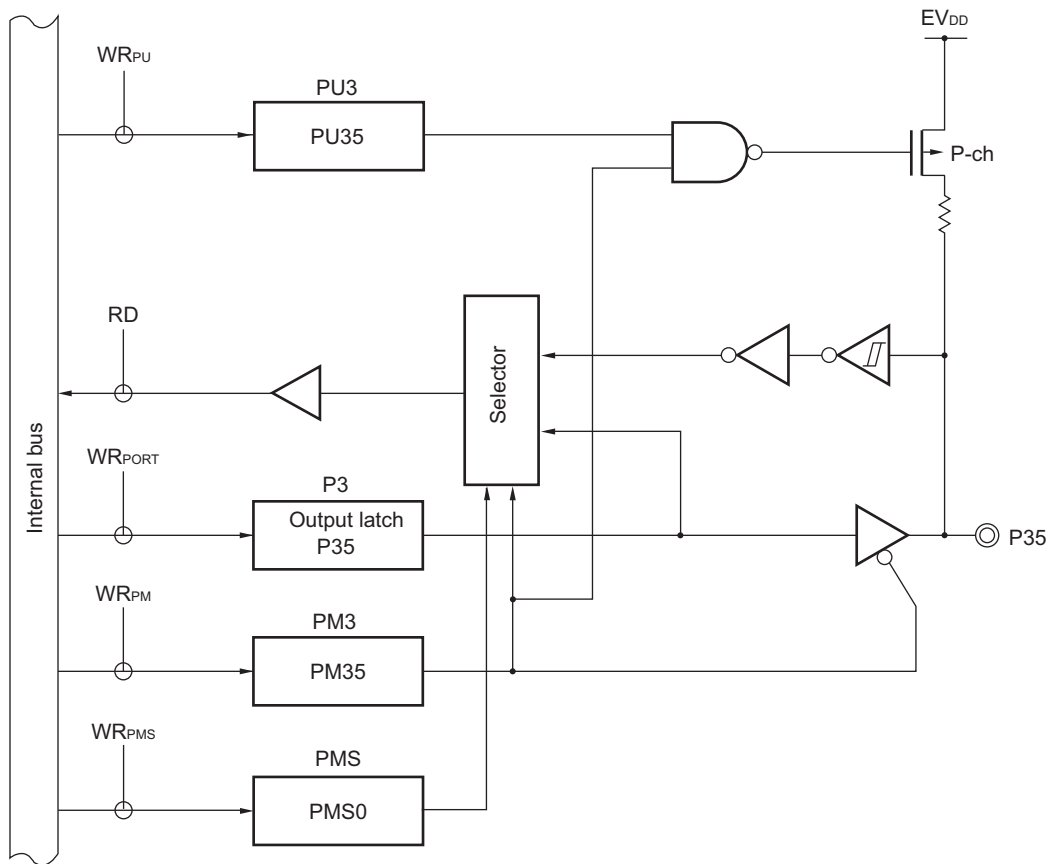
- P3: Port register 3
- PU3: Pull-up resistor option register 3
- PM3: Port mode register 3
- PMS: Port mode select register
- RD: Read signal
- WR_{xx}: Write signal

Figure 4-25. Block Diagram of P33 and P34



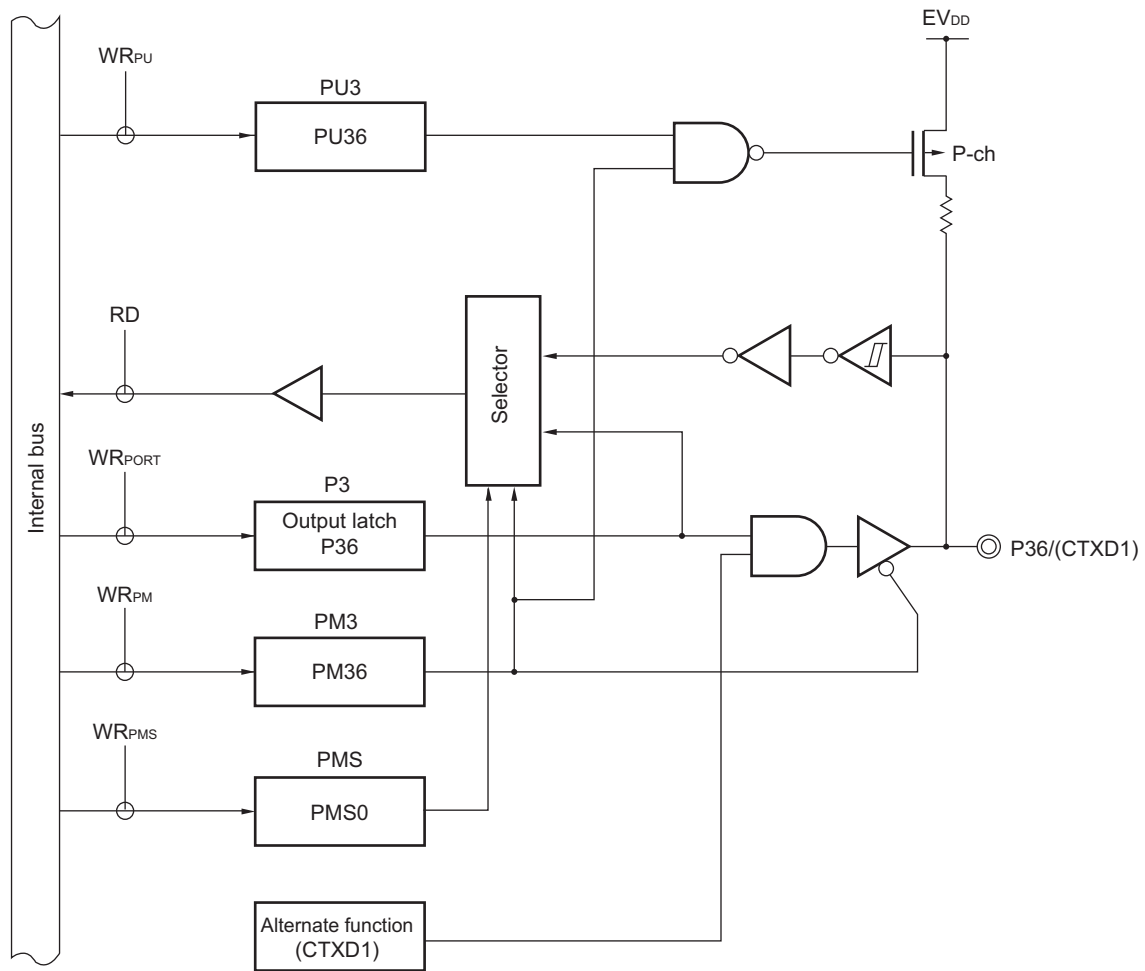
- P3: Port register 3
- PM3: Port mode register 3
- PMS: Port mode select register
- ADPC: A/D Port configuration register
- ADS: Analog input channel specification register
- RD: Read signal
- WR_{xx}: Write signal

Figure 4-26. Block Diagram of P35



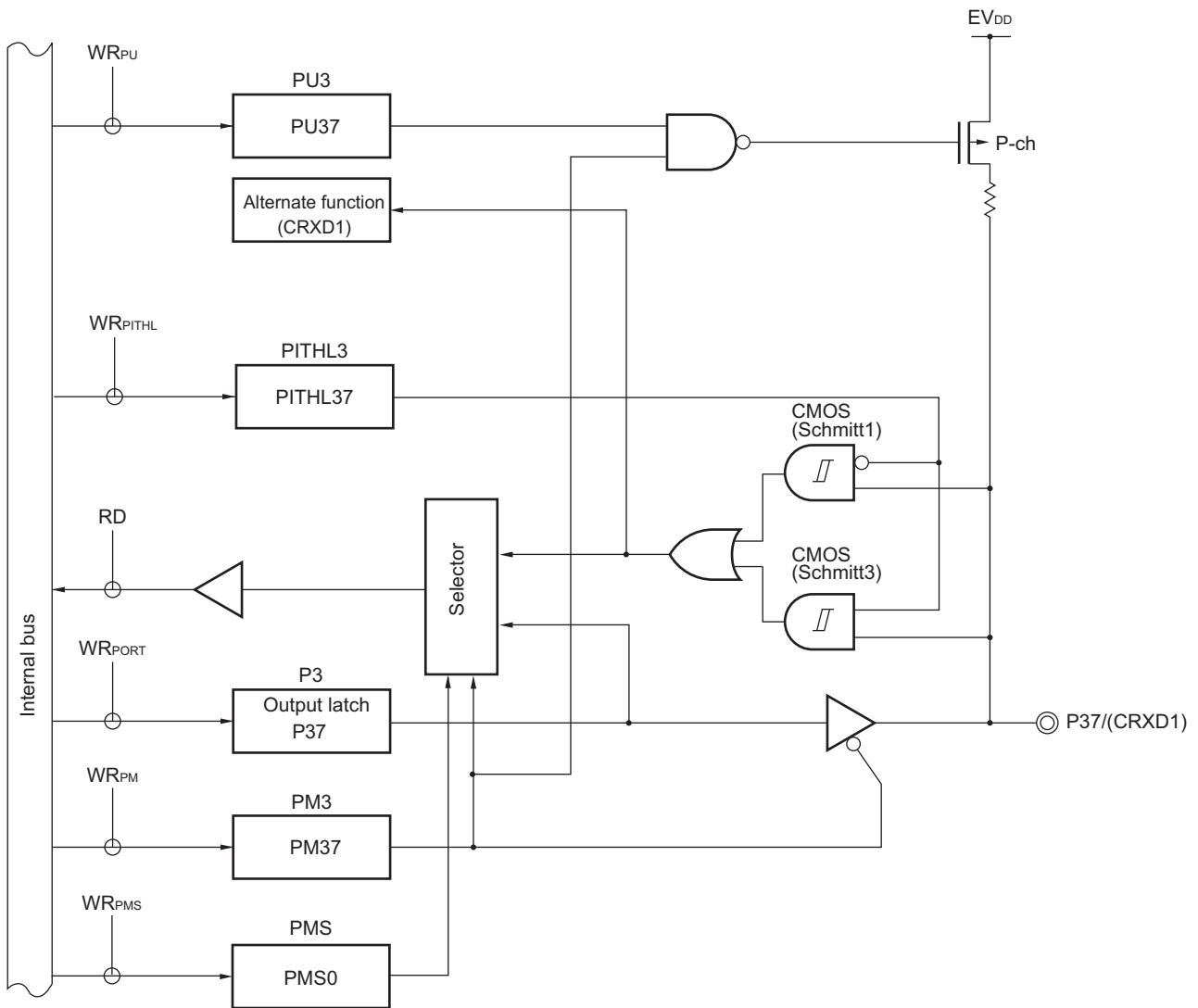
- P3: Port register 3
- PU3: Pull-up resistor option register 3
- PM3: Port mode register 3
- PMS: Port mode select register
- RD: Read signal
- WR_{xx}: Write signal

Figure 4-27. Block Diagram of P36



- P3: Port register 3
- PU3: Pull-up resistor option register 3
- PM3: Port mode register 3
- PMS: Port mode select register
- RD: Read signal
- WR_{xx}: Write signal

Figure 4-28. Block Diagram of P37



- P3: Port register 3
- PU3: Pull-up resistor option register 3
- PM3: Port mode register 3
- PMS: Port mode select register
- PITHL3: Port input threshold control register 3
- RD: Read signal
- WR_{xx}: Write signal

4.2.5 Port 4

Port 4 is an I/O port with an output latch. Port 4 can be set to the input mode or output mode in 1-bit units using port mode register 4 (PM4). When the P40 to P47 pins are used as an input port, use of an on-chip pull-up resistor can be specified in 1-bit units by pull-up resistor option register 4 (PU4).

For the P43 pin input, the threshold of the input buffer can be specified in 1-bit units using the port input threshold control register 4 (PITHL4).

This port can also be used for external interrupt request input, timer I/O, comparator output, SNOOZE status output, LIN serial data I/O, and data I/O for a flash memory programmer/debugger.

Reset signal generation sets this port to input mode.

Table 4-9. Settings of Registers When Using Port 4

Pin name		PM4x	PITHL4x	Alternate Function Setting ^{Note 6}	Remark
Name	I/O				
P40	Input	1	–	x	
	Output	0	–	x	
P41	Input	1	–	x	
	Output	0	–	TRJIO0 output = 0 ^{Note 1} TO10 output = 0 ^{Note 2} VCOUT0 output = 0 ^{Note 3} SNZOUT2 output = 0 ^{Note 4}	
P42	Input	1	–	x	
	Output	0	–	(LTXD0 output = 1) ^{Note 5}	
P43	Input	1	0	x	CMOS input (Schmitt1 input)
			1	x	CMOS input (Schmitt3 input)
	Output	0	x	x	
P44	Input	1	–	x	
	Output	0	–	(TO07 output = 0) ^{Note 2}	
P45	Input	1	–	x	
	Output	0	–	(TO10 output = 0) ^{Note 2}	
P46	Input	1	–	x	
	Output	0	–	(TO12 output = 0) ^{Note 2}	
P47	Input	1	–	x	
	Output	0	–	x	

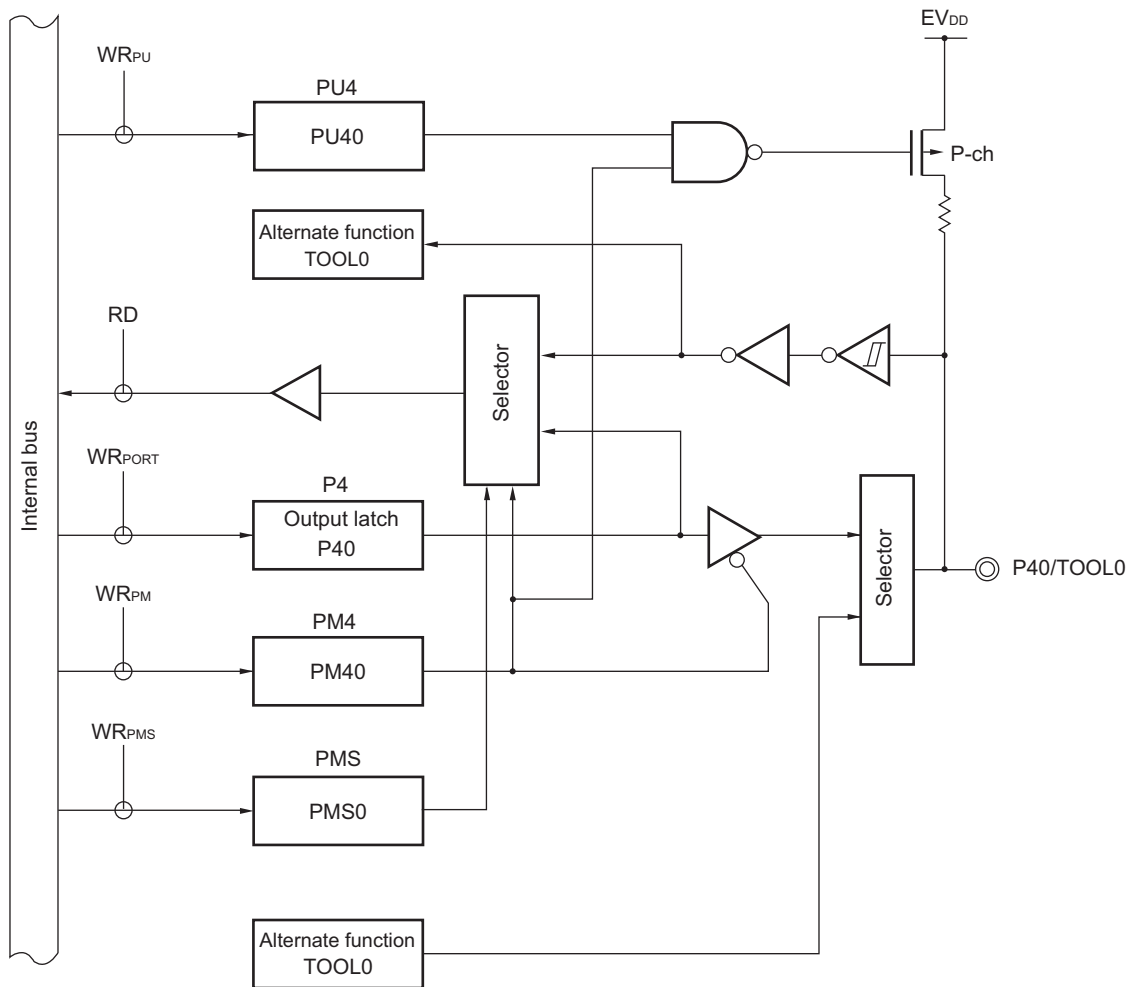
- Notes**
- When a pin sharing a timer input/output function of the timer RJ is to be used as a general-purpose port pin, the TMOD2 to TMOD0 bits of the timer RJ mode register 0 (TRJMR0) must have the same setting as their initial value or have a setting other than 001B.
 - When a pin sharing a timer output function of the timer array unit is to be used as a general-purpose port pin, the TOm bit of the timer output register m (TOM) and the TOEm bit of the timer output enable register m (TOEM) corresponding to the target unit and channel must have the same setting as in the initial state (m = 0, 1, 2, n = 0 to 7).
 - When a pin sharing the comparator output function is to be used as a general-purpose port pin, the COE bit of the comparator control register (CMPCTL) must have the same setting as its initial value.
 - When a pin sharing the SNOOZE status output function is to be used as a general-purpose port pin, the OUTEN0 to OUTEN7 bits of the SNOOZE status output control registers 0, 1, 2, 3 (PSNZCNT0, 1, 2, 3) must have the same setting as its initial value.
 - When a pin sharing the serial data output function of the LIN is to be used as a general-purpose port pin, operation of the corresponding LIN must be stopped.

6. Functions in parentheses can be assigned via settings in the peripheral I/O redirection registers 1, 3, 4 (PIOR1, PIOR3, PIOR4).

Remark x: Don't care
PM4x: Port mode register 4
PITHL4x: Port input threshold control register 4

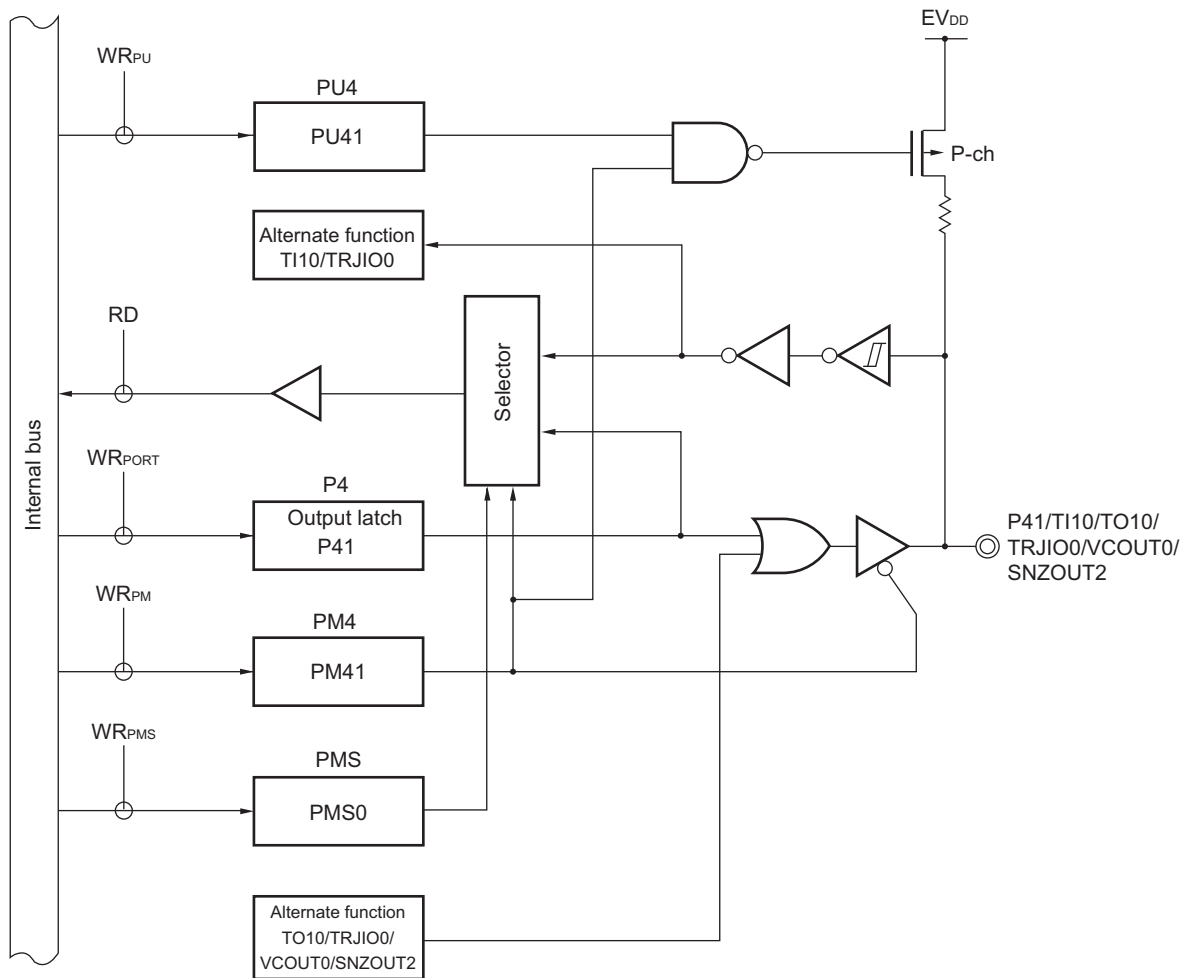
Figures 4-29 to 4-36 show block diagrams of port 4 for 144-pin products.

Figure 4-29. Block Diagram of P40



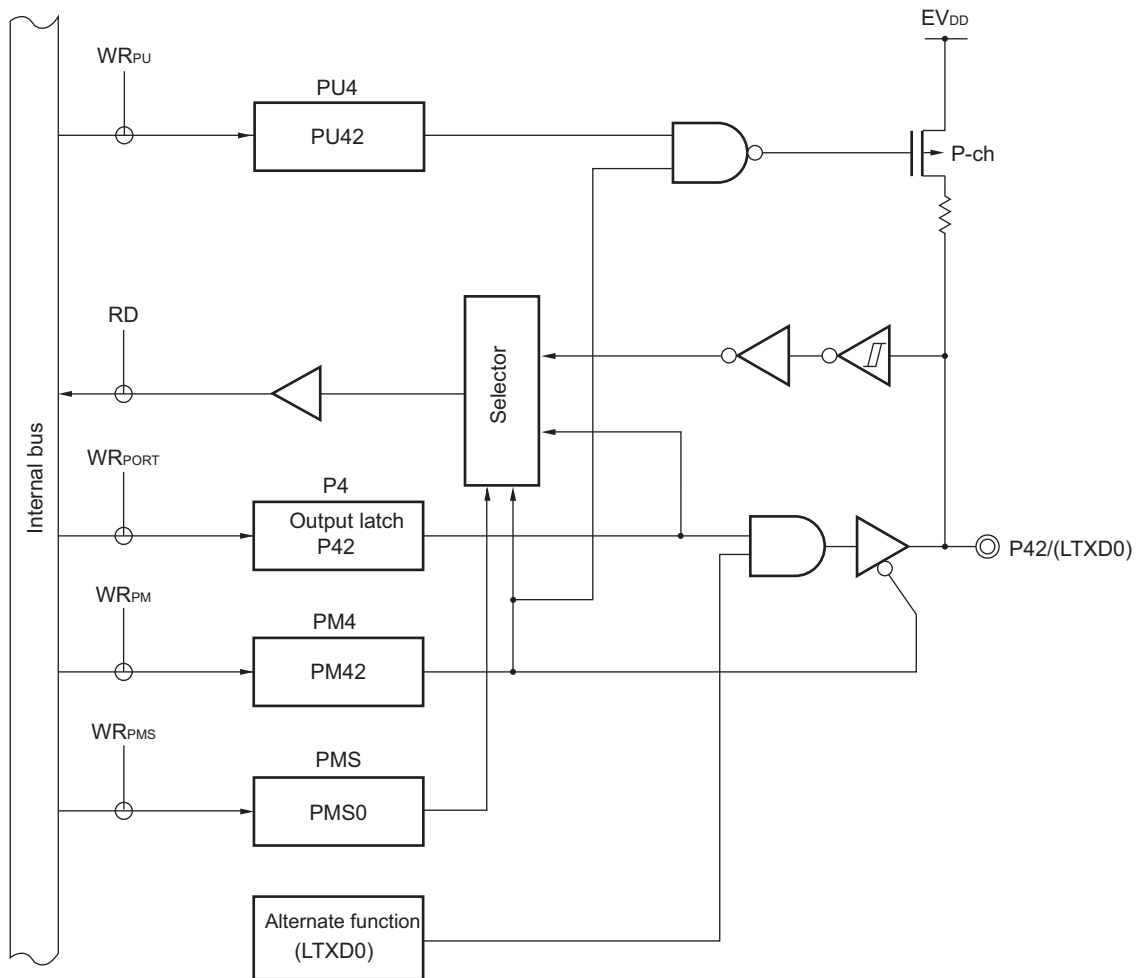
- P4: Port register 4
- PU4: Pull-up resistor option register 4
- PM4: Port mode register 4
- PMS: Port mode select register
- RD: Read signal
- WR_{xx}: Write signal

Figure 4-30. Block Diagram of P41



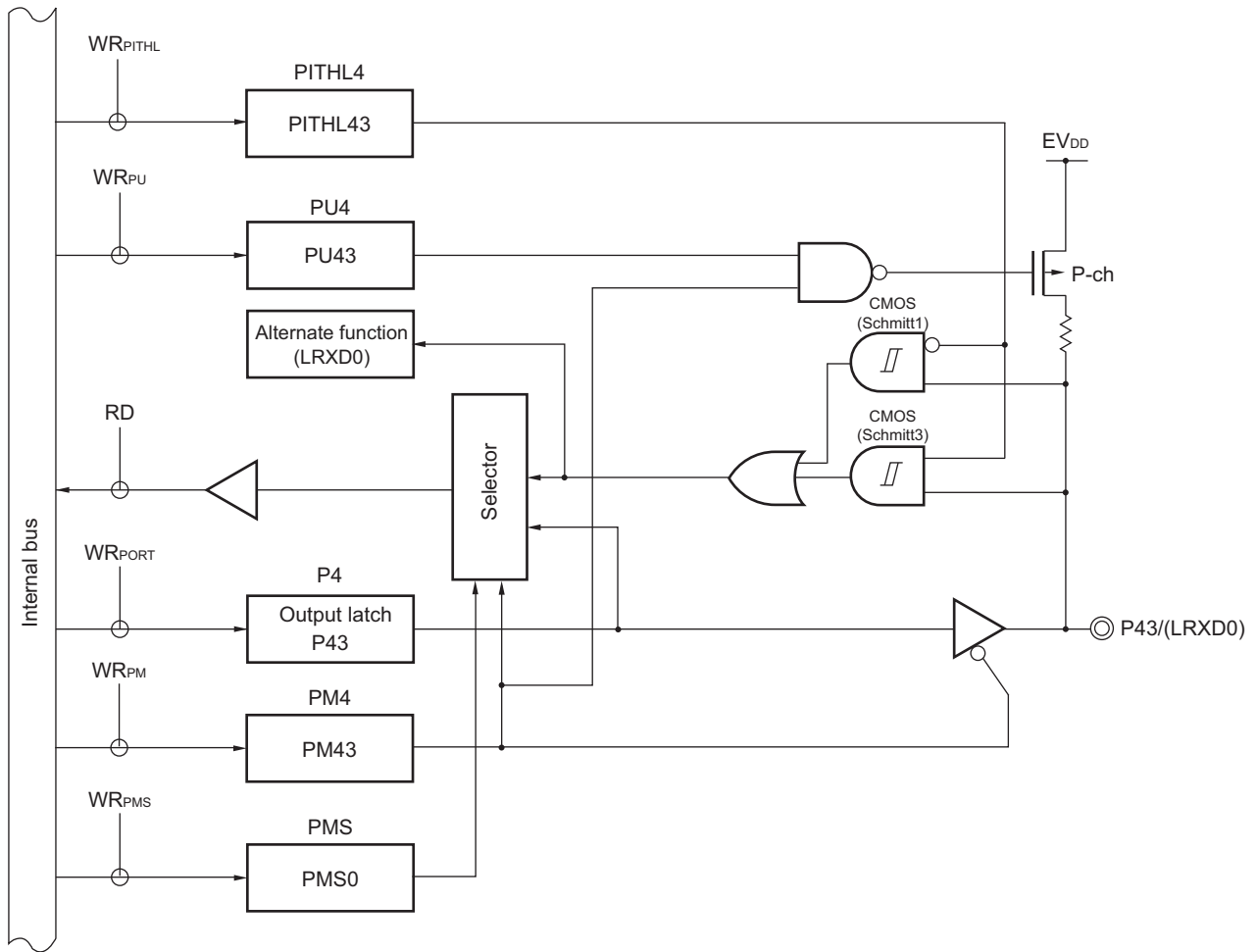
- P4: Port register 4
- PU4: Pull-up resistor option register 4
- PM4: Port mode register 4
- PMS: Port mode select register
- RD: Read signal
- WRxx: Write signal

Figure 4-31. Block Diagram of P42



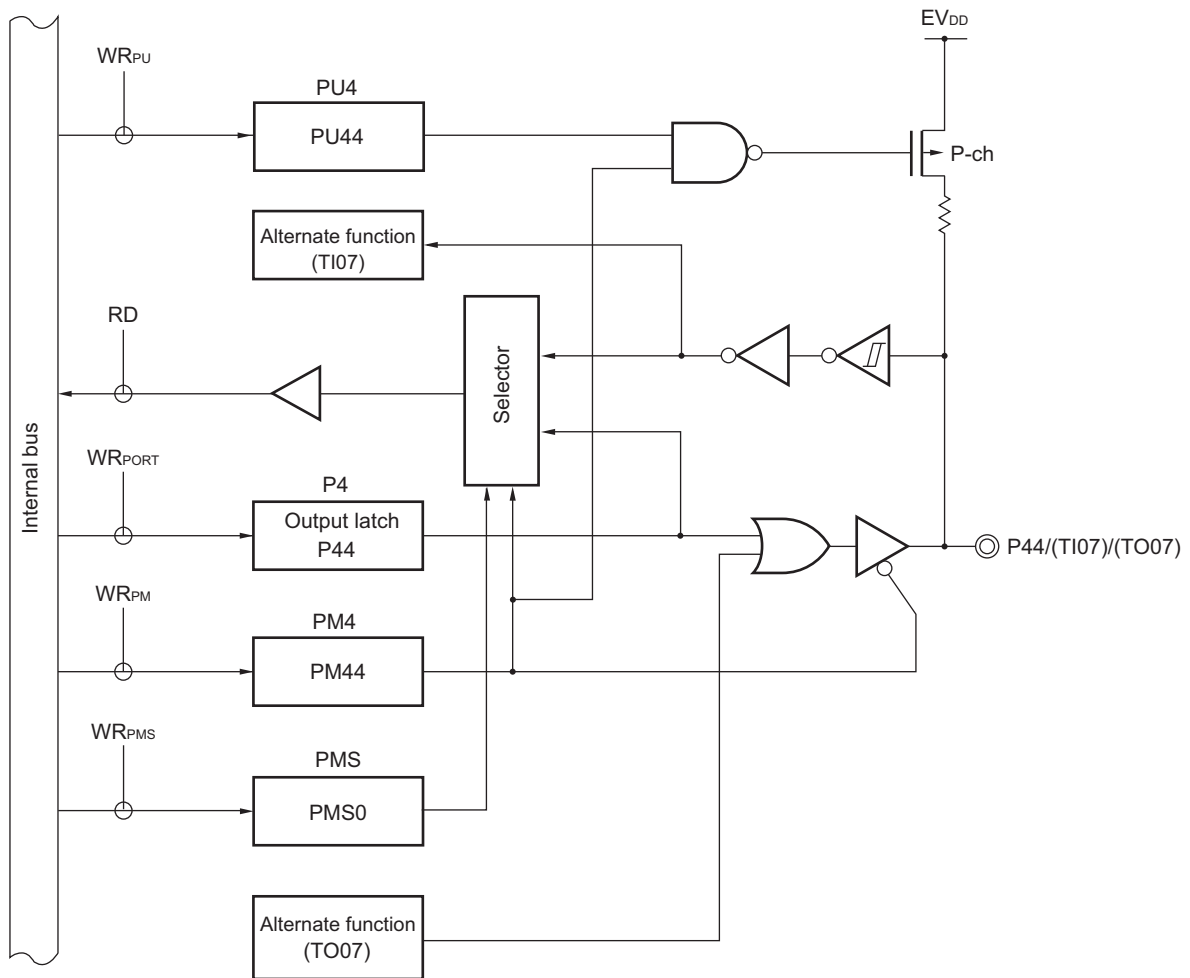
- P4: Port register 4
- PU4: Pull-up resistor option register 4
- PM4: Port mode register 4
- PMS: Port mode select register
- RD: Read signal
- WR_{xx}: Write signal

Figure 4-32. Block Diagram of P43



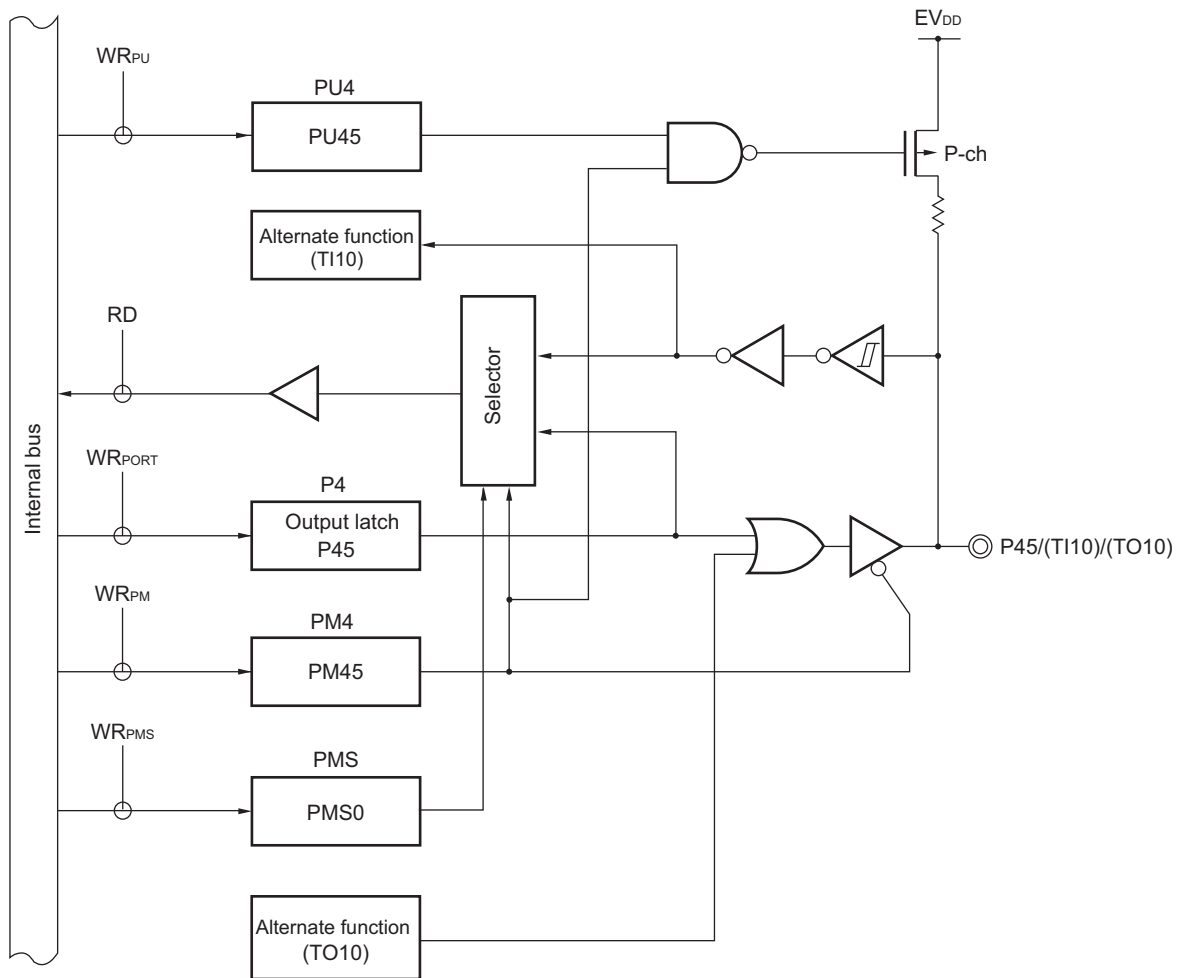
- P4: Port register 4
- PU4: Pull-up resistor option register 4
- PM4: Port mode register 4
- PMS: Port mode select register
- PITHL4: Port input threshold control register 4
- RD: Read signal
- WR_{xx}: Write signal

Figure 4-33. Block Diagram of P44



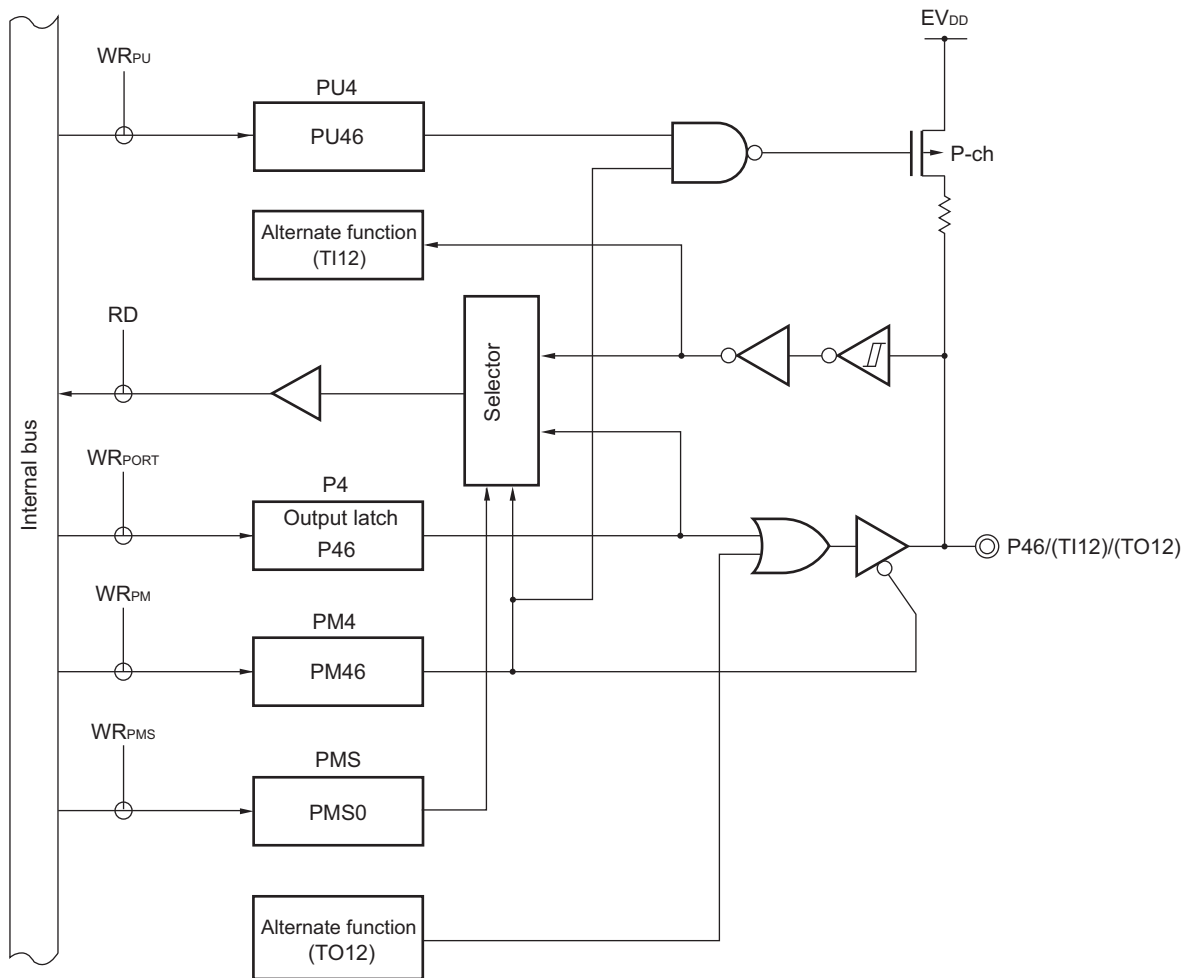
- P4: Port register 4
- PU4: Pull-up resistor option register 4
- PM4: Port mode register 4
- PMS: Port mode select register
- RD: Read signal
- WRxx: Write signal

Figure 4-34. Block Diagram of P45



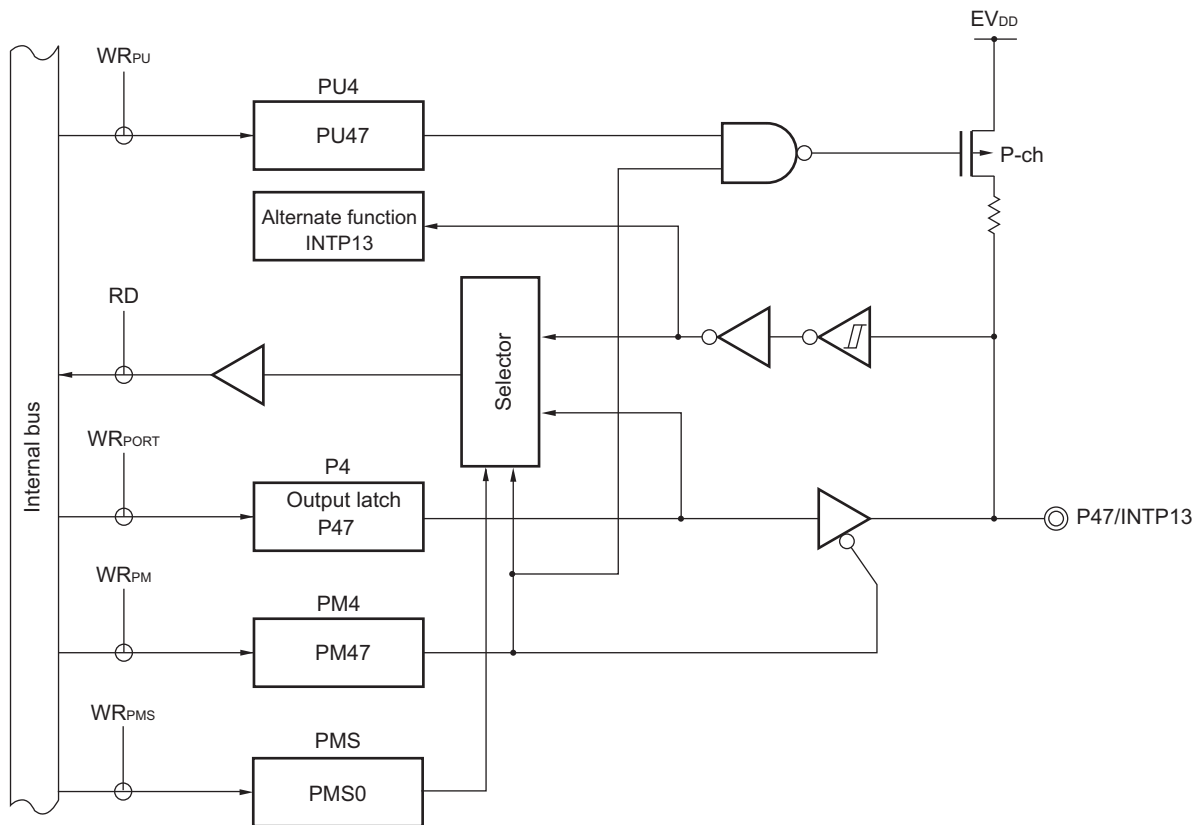
- P4: Port register 4
- PU4: Pull-up resistor option register 4
- PM4: Port mode register 4
- PMS: Port mode select register
- RD: Read signal
- WRxx: Write signal

Figure 4-35. Block Diagram of P46



- P4: Port register 4
- PU4: Pull-up resistor option register 4
- PM4: Port mode register 4
- PMS: Port mode select register
- RD: Read signal
- WR_{xx}: Write signal

Figure 4-36. Block Diagram of P47



- P4: Port register 4
- PU4: Pull-up resistor option register 4
- PM4: Port mode register 4
- PMS: Port mode select register
- RD: Read signal
- WR_{xx}: Write signal

4.2.6 Port 5

Port 5 is an I/O port with an output latch. Port 5 can be set to the input mode or output mode in 1-bit units using port mode register 5 (PM5). When the P50 to P57 pins are used as an input port, use of an on-chip pull-up resistor can be specified in 1-bit units by pull-up resistor option register 5 (PU5).

Input to the P54 pin can be specified through a normal input buffer or a TTL input buffer in 1-bit units using port input mode register 5 (PIM5).

For the P50 and P52 to P54 pin input, the threshold of the input buffer can be specified in 1-bit units using the port input threshold control register 5 (PITHL5).

This port can also be used for external interrupt request input, serial interface (CSI) data I/O, clock I/O, slave select input, timer I/O, STOP status output, SNOOZE status output, and IEBus serial data I/O.

Reset signal generation sets this port to input mode.

Table 4-10. Settings of Registers When Using Port 5 (1/2)

Pin Name		PM5x	PIM5x	PITHL5x	Alternate Function Setting ^{Note 7}	Remark
Name	I/O					
P50	Input	1	-	0	x	CMOS input (Schmitt1 input)
				1		CMOS input (Schmitt3 input)
	Output	0	-	x	x	
P51	Input	1	-	-	x	
	Output	0	-	-	(SO01 output = 1) ^{Note 1} (IETXD output = 0) ^{Note 2}	
P52	Input	1	-	0	x	CMOS input (Schmitt1 input)
				1		CMOS input (Schmitt3 input)
	Output	0	-	x	(SCK01 output = 1) ^{Note 3} (STOPST output = 0) ^{Note 6}	
P53	Input	1	-	0	x	CMOS input (Schmitt1 input)
				1		CMOS input (Schmitt3 input)
	Output	0	-	x	x	
P54	Input	1	0	0	x	CMOS input (Schmitt1 input)
				1		CMOS input (Schmitt3 input)
			1	x		x
	Output	0	x	x	(TO11 output = 0) ^{Note 4}	

(Notes and Remark are listed on the next page.)

Table 4-10. Settings of Registers When Using Port 5 (2/2)

Pin Name		PM5x	PIM5x	PITHL5x	Alternate Function Setting ^{Note 7}	Remark
Name	I/O					
P55	Input	1	–	–	x	
	Output	0	–	–	(TO13 output = 0) ^{Note 4}	
P56	Input	1	–	–	x	
	Output	0	–	–	(TO15 output = 0) ^{Note 4} (SNZOUT1 output = 0) ^{Note 5}	
P57	Input	1	–	–	x	
	Output	0	–	–	(TO17 output = 0) ^{Note 4} (SNZOUT0 output = 0) ^{Note 5}	

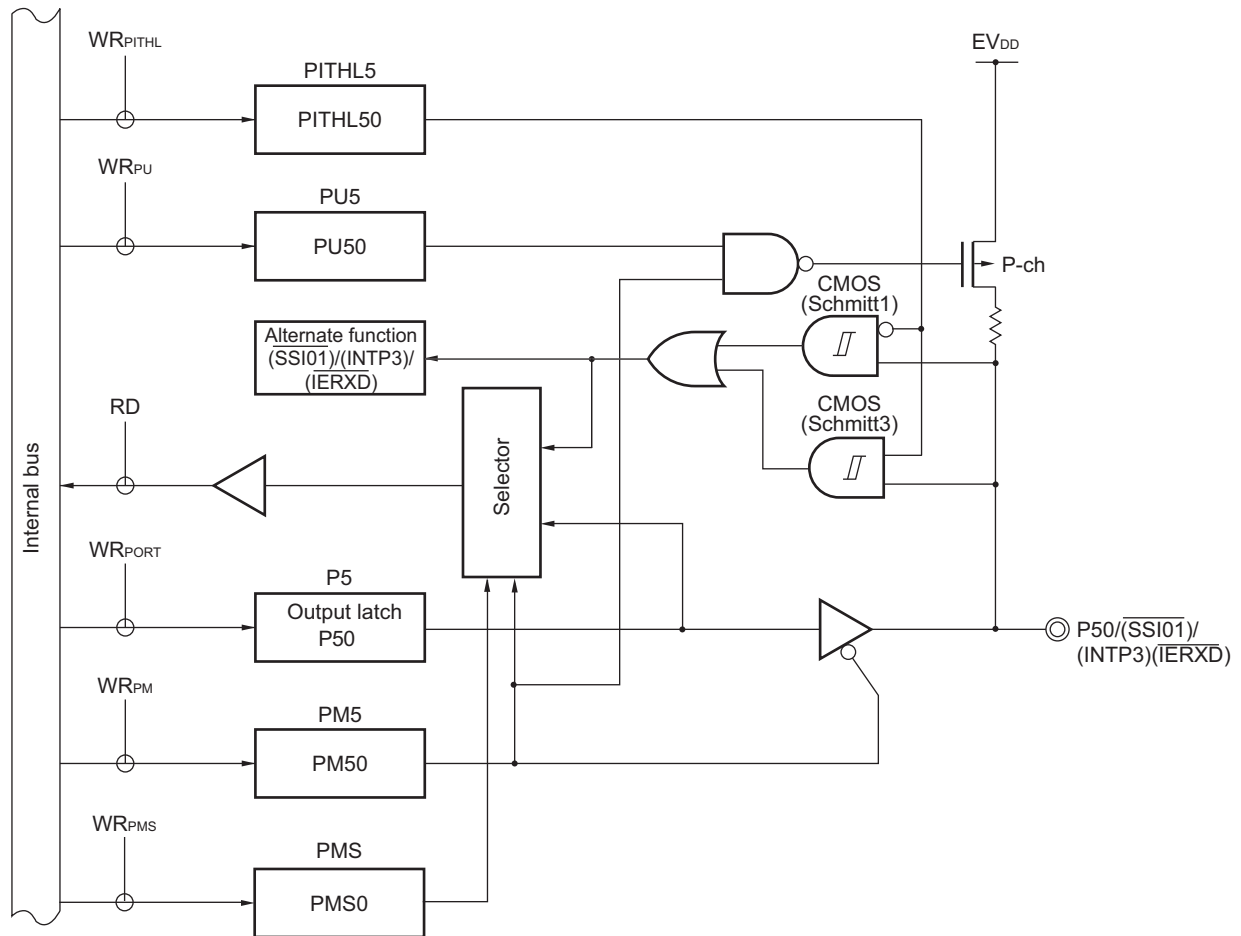
- Notes**
- When a pin sharing the serial array unit function is to be used as a general-purpose port pin, the SOMn bit of the serial output register m (SOM), the SOEmn bit of the serial output enable register m (SOEm), and the SEMn bit of the serial channel enable status register m (SEm) corresponding to the target unit and channel must have the same setting as its initial value (m = 0, 1, 2, n = 0, 1).
 - When a pin sharing the serial interface IEBus function is to be used as a general-purpose port pin, operation of the corresponding serial interface IEBus must be stopped.
 - When a pin sharing the serial array unit function is to be used as a general-purpose port pin, the CKOm bit of the serial output register m (SOM), the SOEmn bit of the serial output enable register m (SOEm), and the SEMn bit of the serial channel enable status register m (SEm) corresponding to the target unit and channel must have the same setting as its initial value (m = 0, 1, 2, n = 0, 1).
 - When a pin sharing a timer output function of the timer array unit is to be used as a general-purpose port pin, the TOMn bit of the timer output register m (TOM) and the TOEmn bit of the timer output enable register m (TOEm) corresponding to the target unit and channel must have the same setting as in the initial state (m = 0, 1, 2, n = 0 to 7).
 - When a pin sharing the SNOOZE status output function is to be used as a general-purpose port pin, the OUTEN0 to OUTEN7 bits of the SNOOZE status output control registers 0, 1, 2, 3 (PSNZCNT0, 1, 2, 3) must have the same setting as its initial value.
 - When a pin sharing the STOP status output function is to be used as a general-purpose port pin, the STPOEN bit of the STOP status output control register (STPSTC) must have the same setting as its initial value.
 - Functions in parentheses can be assigned via settings in the peripheral I/O redirection registers 3, 4, 6, 9 (PIOR3, PIOR4, PIOR6, PIOR9). The STOPST function can be assigned via settings in the STOP status output control register (STPSTC).

Remark

- x: Don't care
- PM5x: Port mode register 5
- PIM5x: Port input mode register 5
- PITHL5x: Port input threshold control register 5

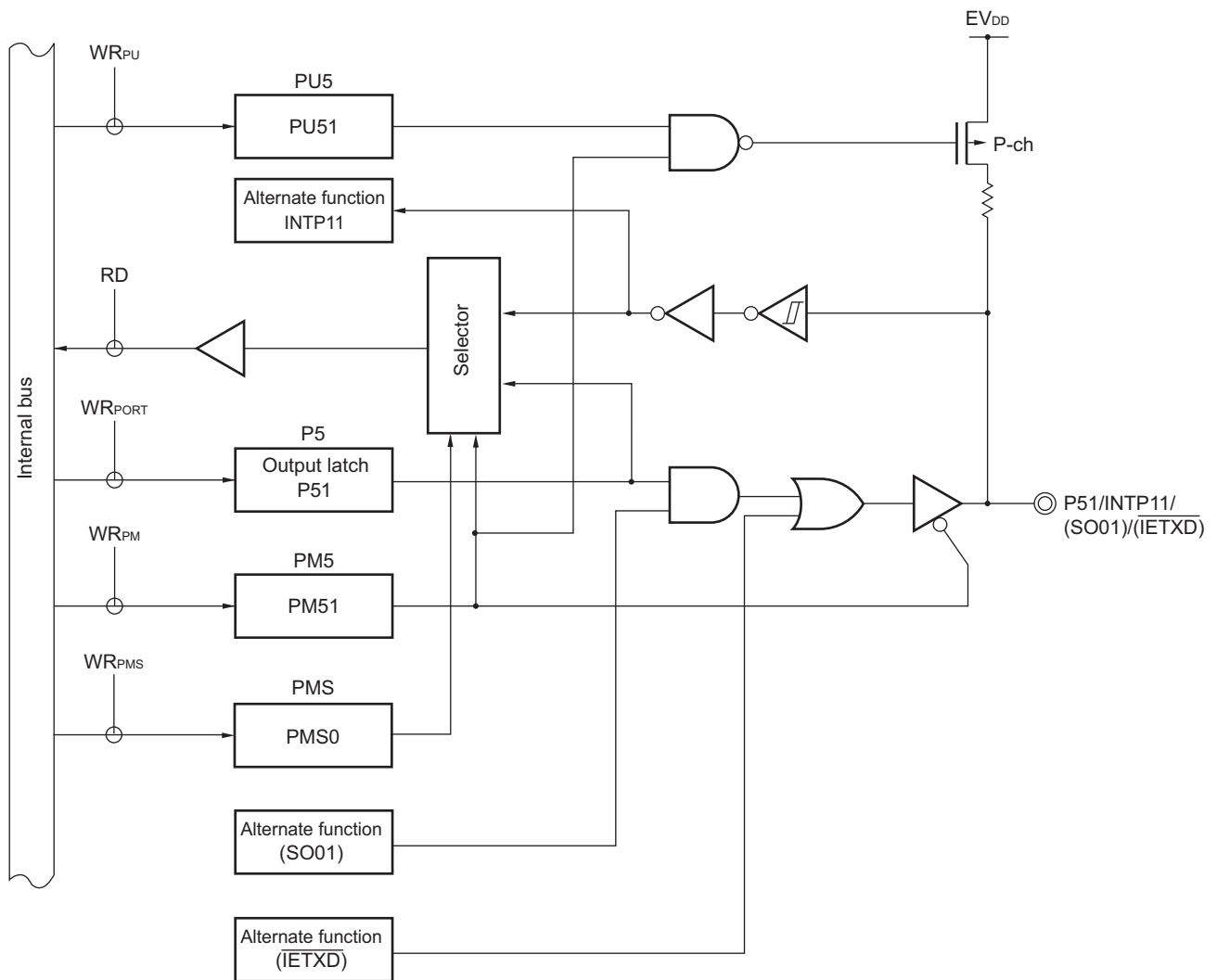
Figures 4-37 to 4-44 show block diagrams of port 5 for 144-pin products.

Figure 4-37. Block Diagram of P50



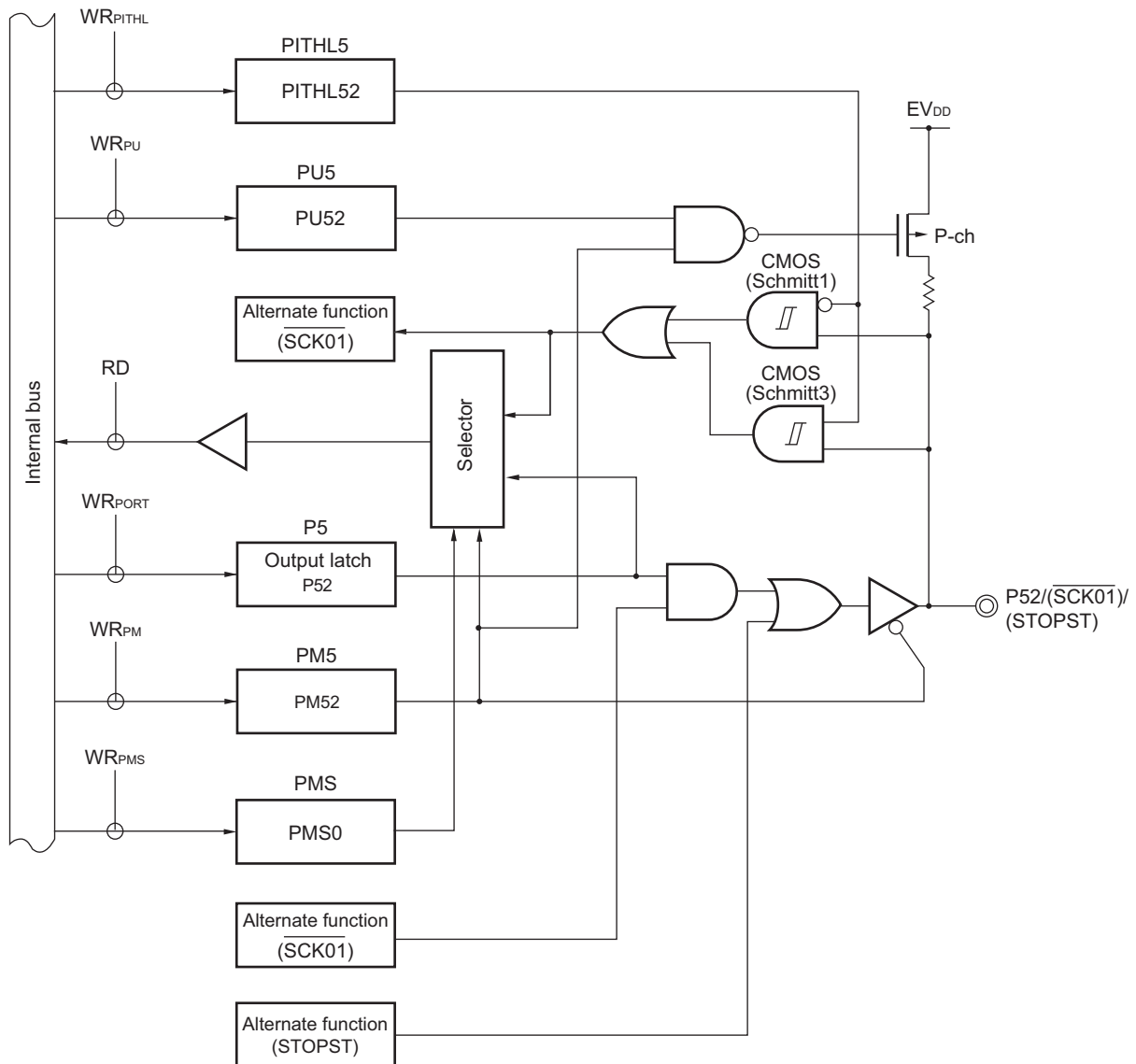
- P5: Port register 5
- PU5: Pull-up resistor option register 5
- PM5: Port mode register 5
- PMS: Port mode select register
- PITHL5: Port input threshold control register 5
- RD: Read signal
- WR_{xx}: Write signal

Figure 4-38. Block Diagram of P51



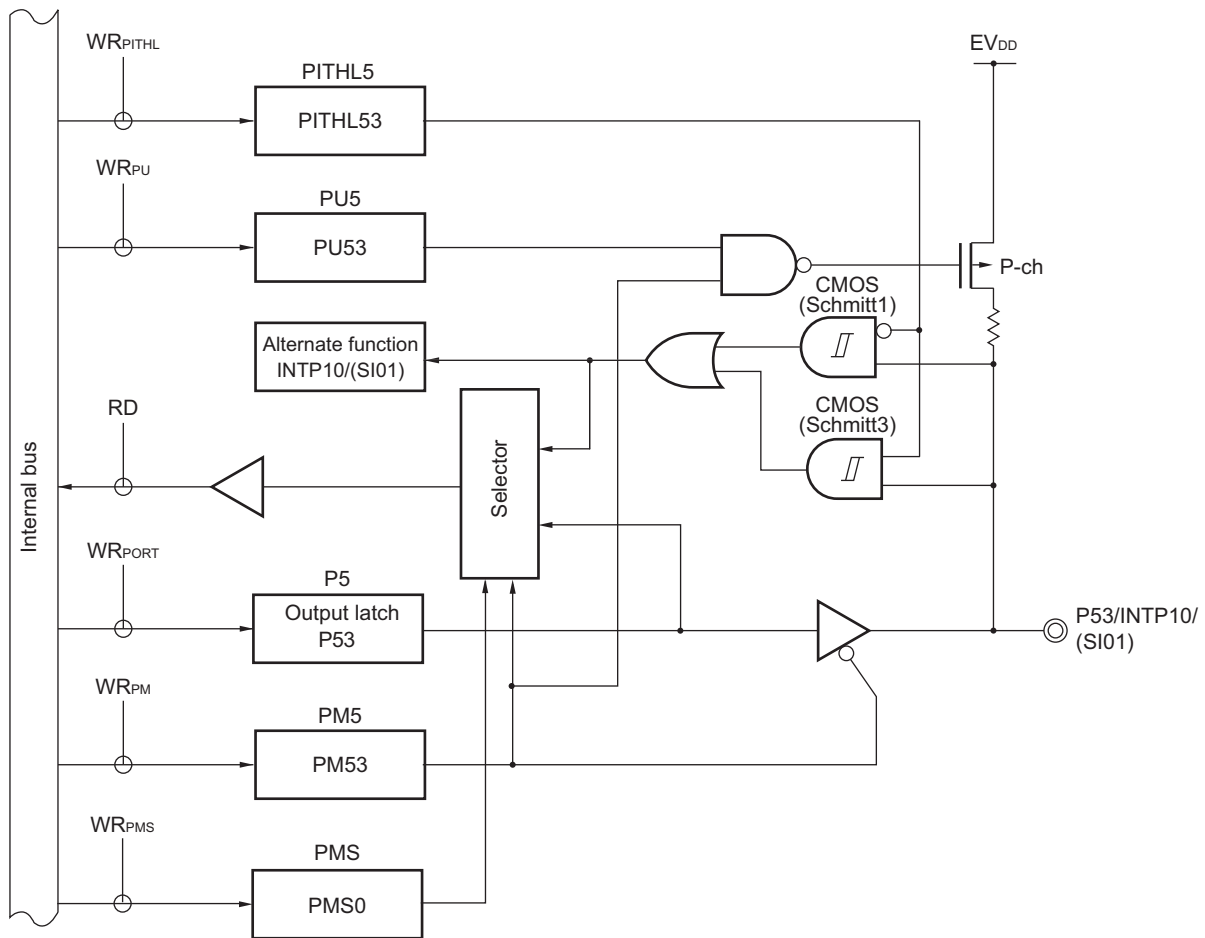
- P5: Port register 5
- PU5: Pull-up resistor option register 5
- PM5: Port mode register 5
- PMS: Port mode select register
- RD: Read signal
- WRxx: Write signal

Figure 4-39. Block Diagram of P52



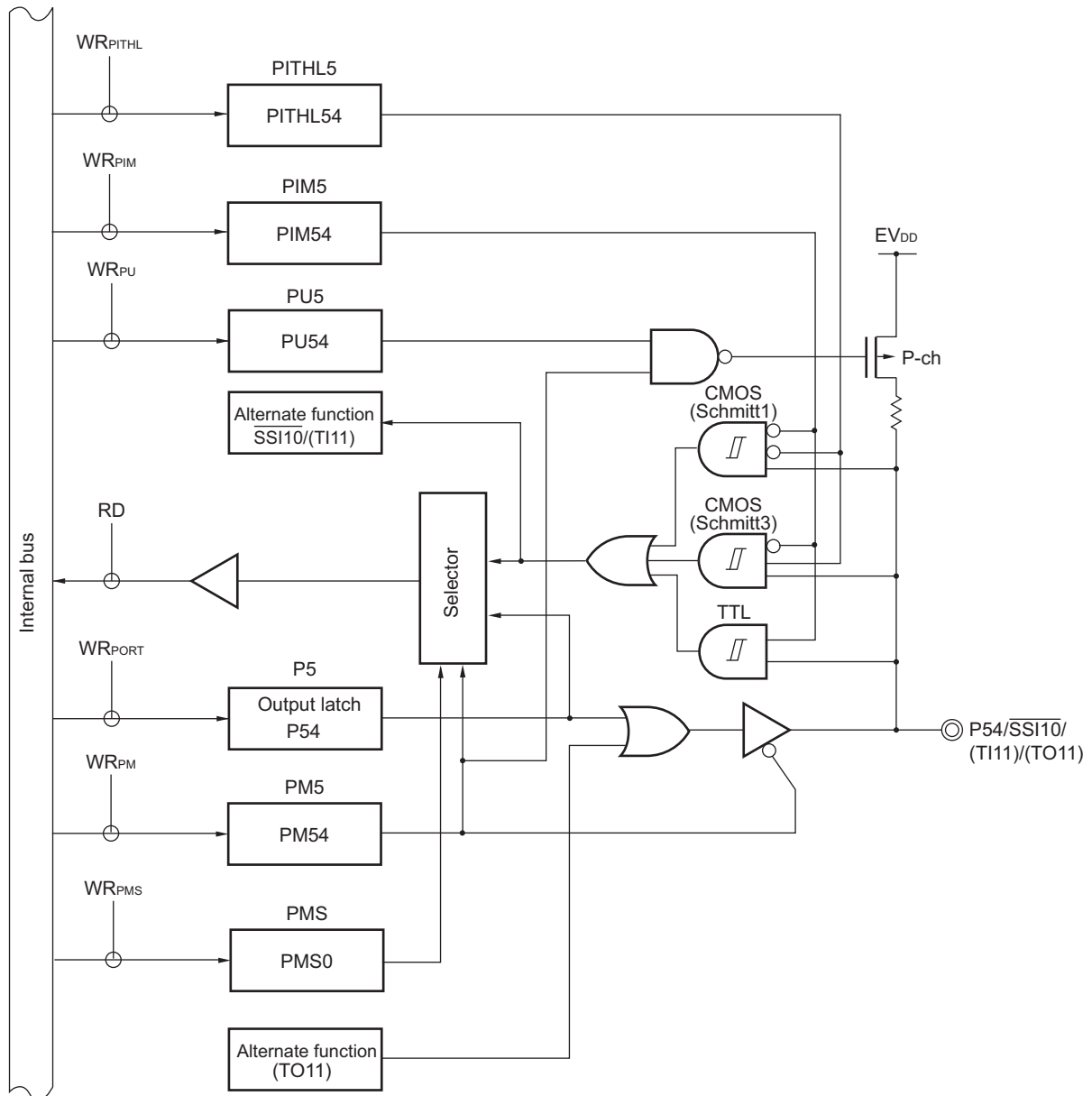
- P5: Port register 5
- PU5: Pull-up resistor option register 5
- PM5: Port mode register 5
- PMS: Port mode select register
- PITHL5: Port input threshold control register 5
- RD: Read signal
- WRxx: Write signal

Figure 4-40. Block Diagram of P53



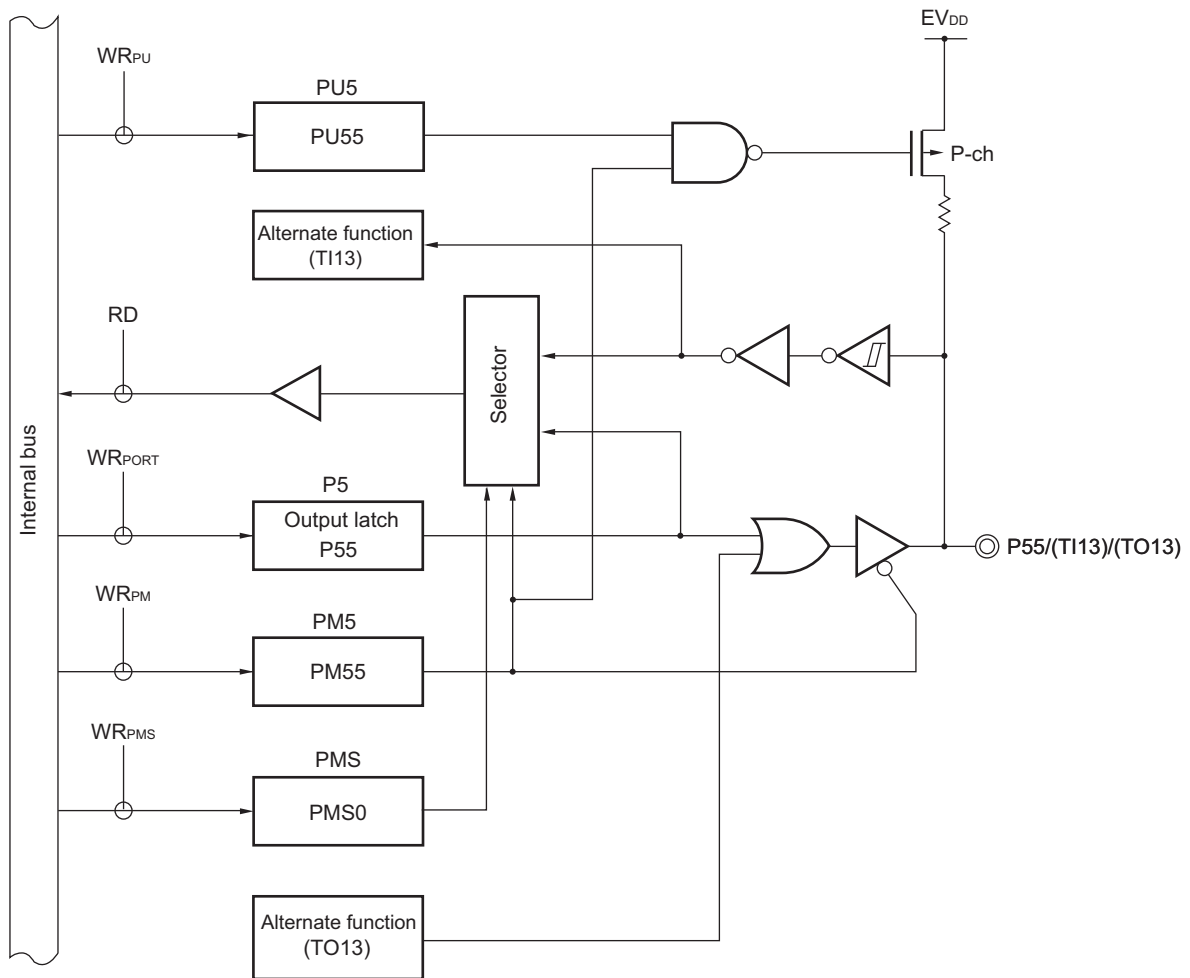
- P5: Port register 5
- PU5: Pull-up resistor option register 5
- PM5: Port mode register 5
- PMS: Port mode select register
- PITHL5: Port input threshold control register 5
- RD: Read signal
- WR_{xx}: Write signal

Figure 4-41. Block Diagram of P54



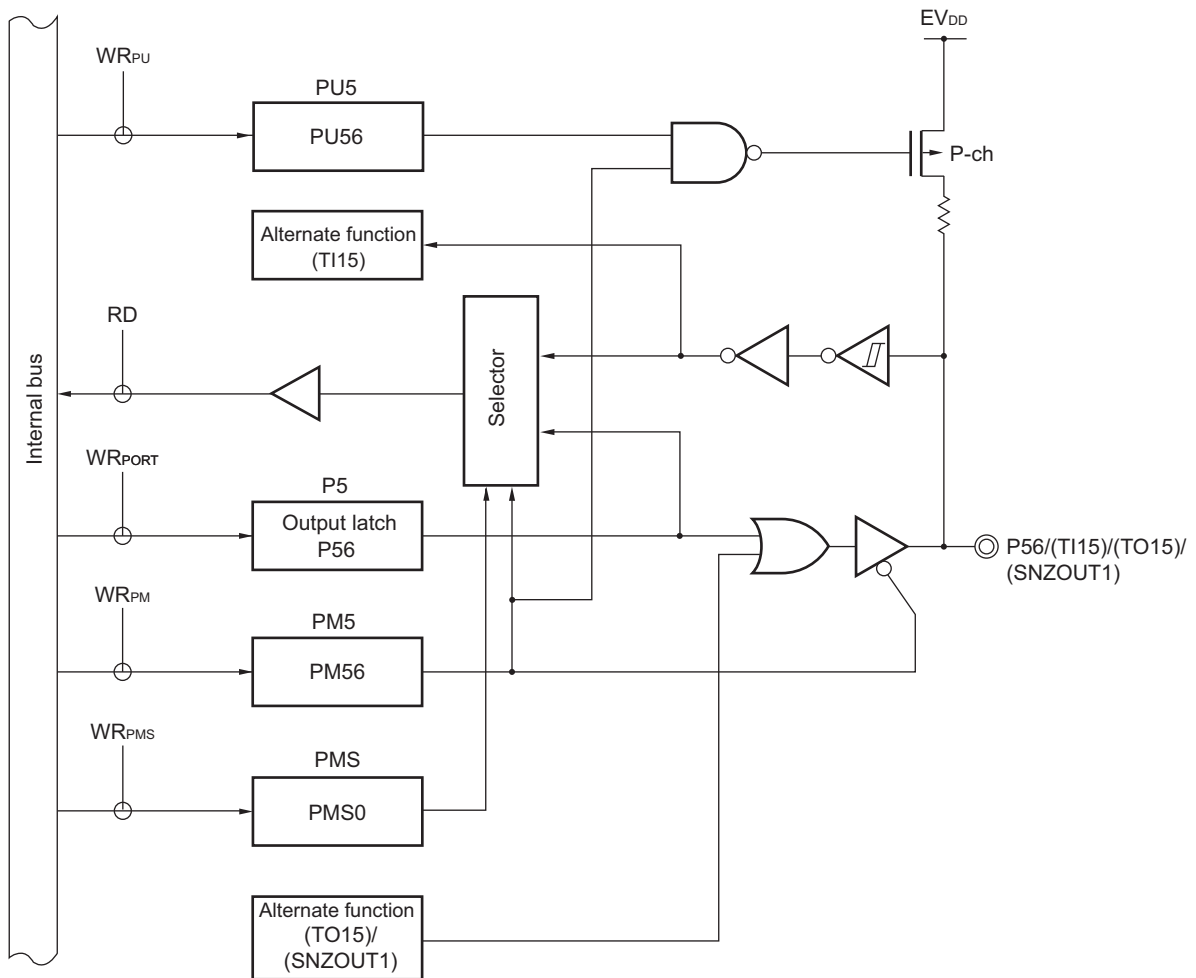
- P5: Port register 5
- PU5: Pull-up resistor option register 5
- PM5: Port mode register 5
- PIM5: Port input mode register 5
- PMS: Port mode select register
- PITHL5: Port input threshold control register 5
- RD: Read signal
- WR_{xx}: Write signal

Figure 4-42. Block Diagram of P55



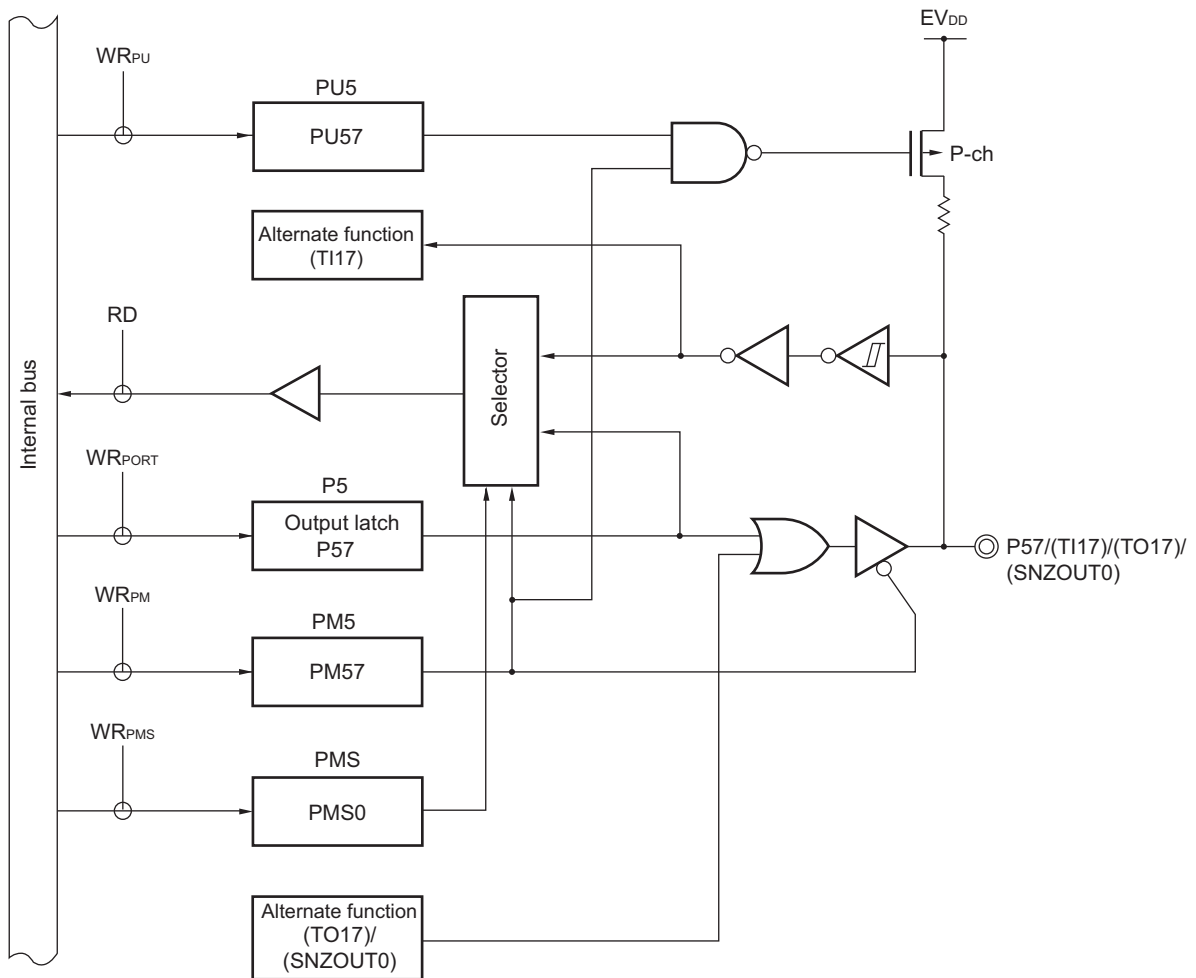
- P5: Port register 5
- PU5: Pull-up resistor option register 5
- PM5: Port mode register 5
- PMS: Port mode select register
- RD: Read signal
- WR_{xx}: Write signal

Figure 4-43. Block Diagram of P56



- P5: Port register 5
- PU5: Pull-up resistor option register 5
- PM5: Port mode register 5
- PMS: Port mode select register
- RD: Read signal
- WR_{xx}: Write signal

Figure 4-44. Block Diagram of P57



- P5: Port register 5
- PU5: Pull-up resistor option register 5
- PM5: Port mode register 5
- PMS: Port mode select register
- RD: Read signal
- WR_{xx}: Write signal

4.2.7 Port 6

Port 6 is an I/O port with an output latch. Port 6 can be set to the input mode or output mode in 1-bit units using port mode register 6 (PM6). Input to the P62 and P63 pins can be specified through a normal input buffer or a TTL input buffer in 1-bit units using port input mode register 6 (PIM6). When the P60 to P67 pins are used as an input port, use of an on-chip pull-up resistor can be specified in 1-bit units by pull-up resistor option register 6 (PU6).

Output from the P60 to P63 pins can be specified as N-ch open-drain output (EV_{DD} tolerance) in 1-bit units using port output mode register 6 (POM6).

For the P60 to P63 pin input, the threshold of the input buffer can be specified in 1-bit units using the port input threshold control register 6 (PITHL6)

This port can also be used for serial interface (IICA, simplified IIC, CSI, and UART) data I/O and clock I/O, slave select input, timer I/O, SNOOZE status output, CAN serial data I/O, and IEBus serial data I/O.

Reset signal generation sets this port to input mode.

Table 4-11. Settings of Registers When Using Port 6 (1/2)

Pin Name		PM6x	PIM6x	POM6x	PITHL6x	Alternate Function Setting ^{Note 8}	Remark
Name	I/O						
P60	Input	1	–	x	0	x	CMOS input (Schmitt1 input)
					1		CMOS input (Schmitt3 input)
	Output	0	–	0	x	(SCK00/SCL00 output = 1) ^{Note 1}	CMOS output
				1			N-ch O.D output
P61	Input	1	–	x	0	x	CMOS input (Schmitt1 input)
					1		CMOS input (Schmitt3 input)
	Output	0	–	0	x	SDA00 output = 1 ^{Note 2} CTXD1 output = 1 ^{Note 3} IETXD output = 0 ^{Note 4}	CMOS output
				1			N-ch O.D output
P62	Input	1	0	x	0	x	CMOS input (Schmitt1 input)
					1		CMOS input (Schmitt3 input)
					1		TTL input
	Output	0	x	0	x	SCLA0 output = 0 ^{Note 5} (SO00/TXD0 output = 1) ^{Note 2}	CMOS output
1				N-ch O.D output			

(Notes and Remark are listed on the next page.)

Table 4-11. Settings of Registers When Using Port 6 (2/2)

Pin Name		PM6x	PIM6x	POM6x	PITHL6x	Alternate Function Setting ^{Note 8}	Remark
Name	I/O						
P63	Input	1	0	x	0	x	CMOS input (Schmitt1 input)
					1		CMOS input (Schmitt3 input)
	Output	0	x	0	x	SDAA0 output = 0 ^{Note 5}	CMOS output
				1			N-ch O.D output
P64	Input	1	–	–	–	x	
	Output	0	–	–	–	(TO14 output = 0) ^{Note 6} (SNZOUT3 output = 0) ^{Note 7}	
P65	Input	1	–	–	–	x	
	Output	0	–	–	–	(TO16 output = 0) ^{Note 6} (SNZOUT2 output = 0) ^{Note 7}	
P66	Input	1	–	–	–	x	
	Output	0	–	–	–	(TO00 output = 0) ^{Note 6}	
P67	Input	1	–	–	–	x	
	Output	0	–	–	–	(TO02 output = 0) ^{Note 6}	

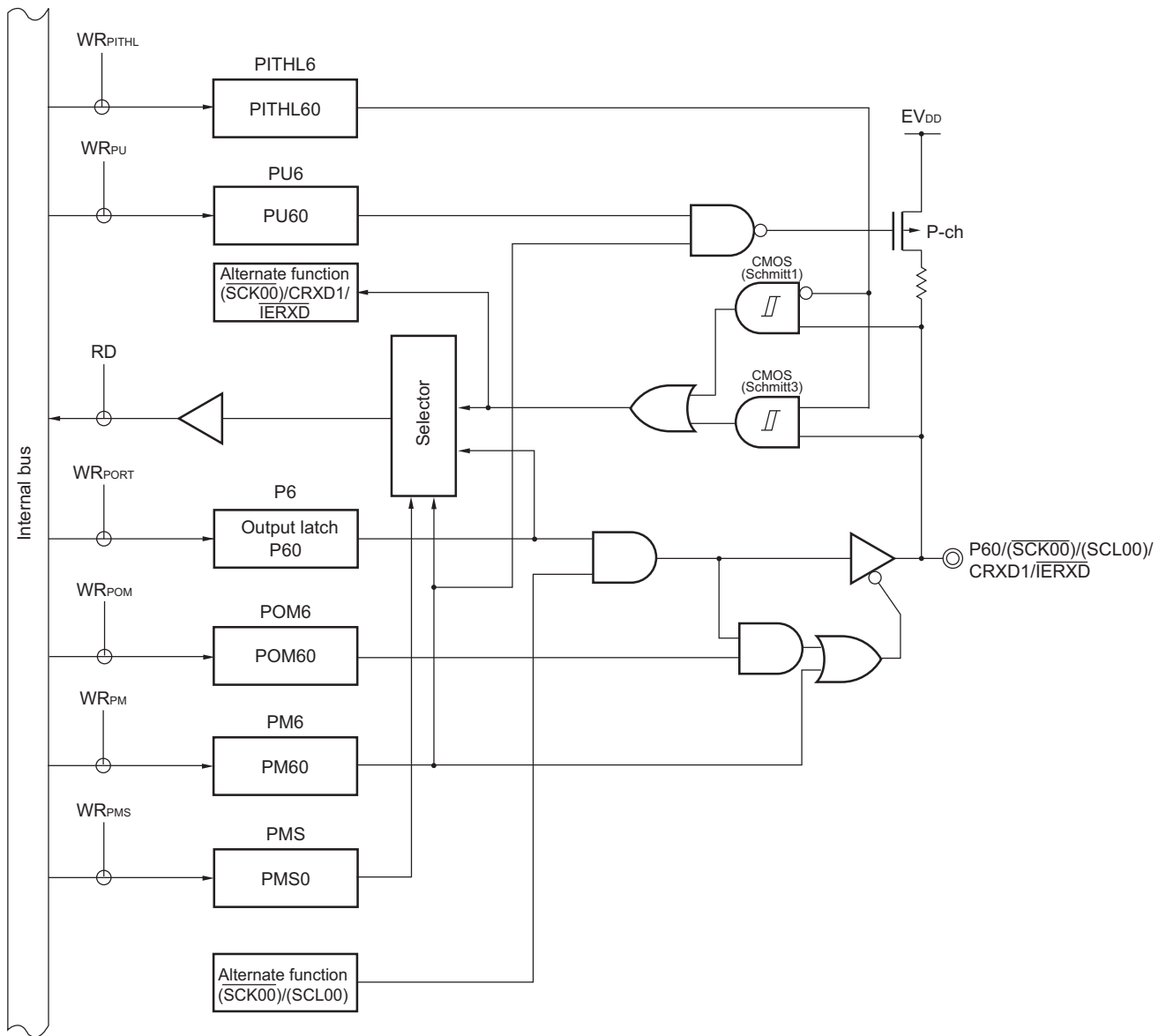
- Notes**
1. When a pin sharing the serial array unit function is to be used as a general-purpose port pin, the CKOm_n bit of the serial output register m (SOM), the SOEm_n bit of the serial output enable register m (SOEm), and the SEM_n bit of the serial channel enable status register m (SEm) corresponding to the target unit and channel must have the same setting as its initial value (m = 0, 1, 2, n = 0, 1).
 2. When a pin sharing the serial array unit function is to be used as a general-purpose port pin, the SOM_n bit of the serial output register m (SOM), the SOEm_n bit of the serial output enable register m (SOEm), and the SEM_n bit of the serial channel enable status register m (SEm) corresponding to the target unit and channel must have the same setting as its initial value (m = 0, 1, 2, n = 0, 1).
 3. When a pin sharing the serial interface CAN function is to be used as a general-purpose port pin, operation of the corresponding serial interface CAN must be stopped.
 4. When a pin sharing the serial interface IEBus function is to be used as a general-purpose port pin, operation of the corresponding serial interface IEBus must be stopped.
 5. When a pin sharing the serial interface IICA function is to be used as a general-purpose port pin, operation of the corresponding serial interface IICA must be stopped.
 6. When a pin sharing a timer output function of the timer array unit is to be used as a general-purpose port pin, the TOM_n bit of the timer output register m (TOM) and the TOEm_n bit of the timer output enable register m (TOEm) corresponding to the target unit and channel must have the same setting as in the initial state (m = 0, 1, 2, n = 0 to 7).
 7. When a pin sharing the SNOOZE status output function is to be used as a general-purpose port pin, the OUTEN0 to OUTEN7 bits of the SNOOZE status output control registers 0, 1, 2, 3 (PSNZCNT0, 1, 2, 3) must have the same setting as its initial value.
 8. Functions in parentheses can be assigned via settings in the peripheral I/O redirection registers 1, 3, 4, 6 (PIOR1, PIOR3, PIOR4, PIOR6).

Remark

- x: Don't care
- PM6x: Port mode register 6
- PIM6x: Port input mode register 6
- POM6x: Port output mode register 6
- PITHL6x: Port input threshold control register 6

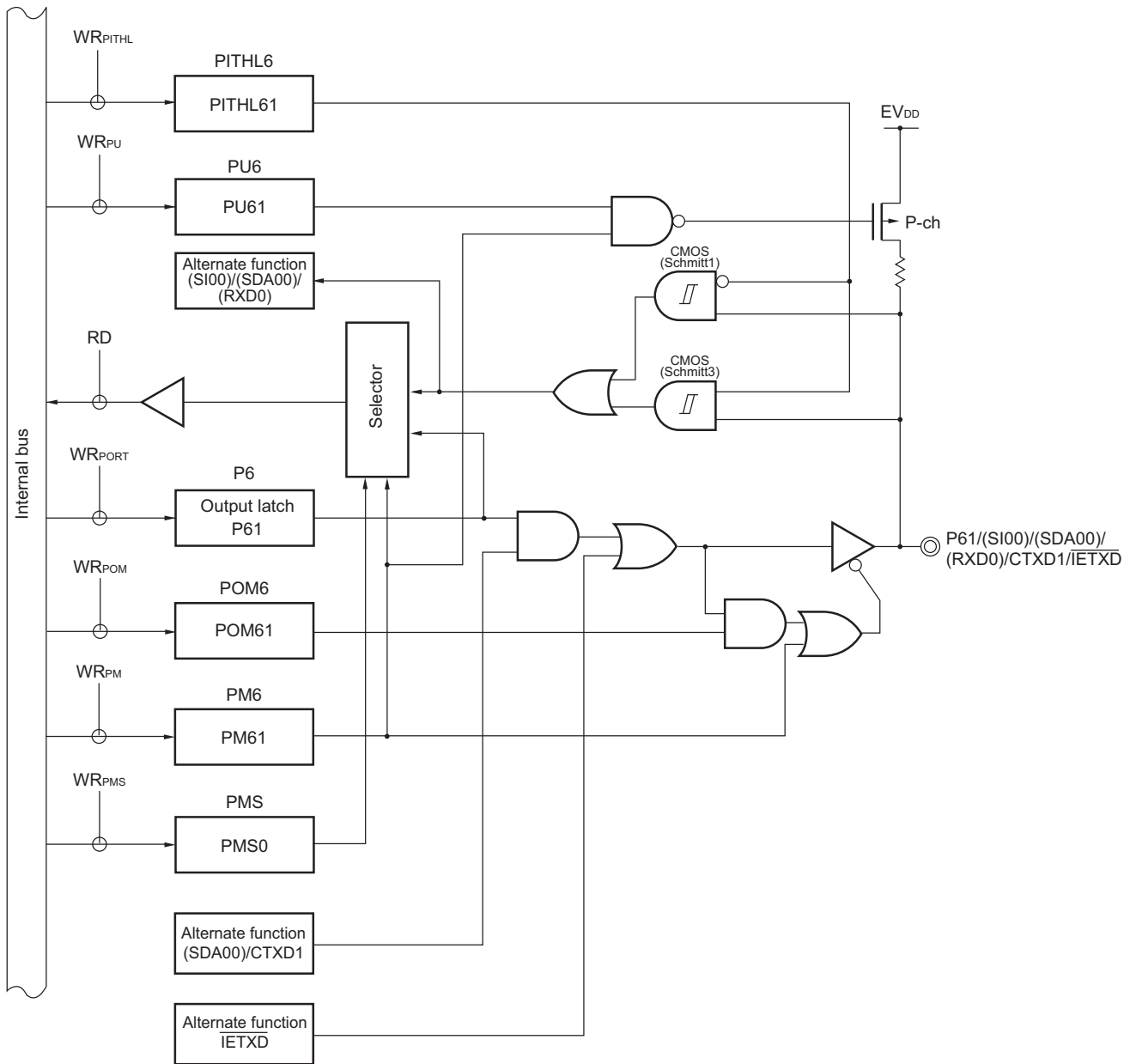
Figures 4-45 to 4-52 show block diagrams of port 6 for 144-pin products.

Figure 4-45. Block Diagram of P60



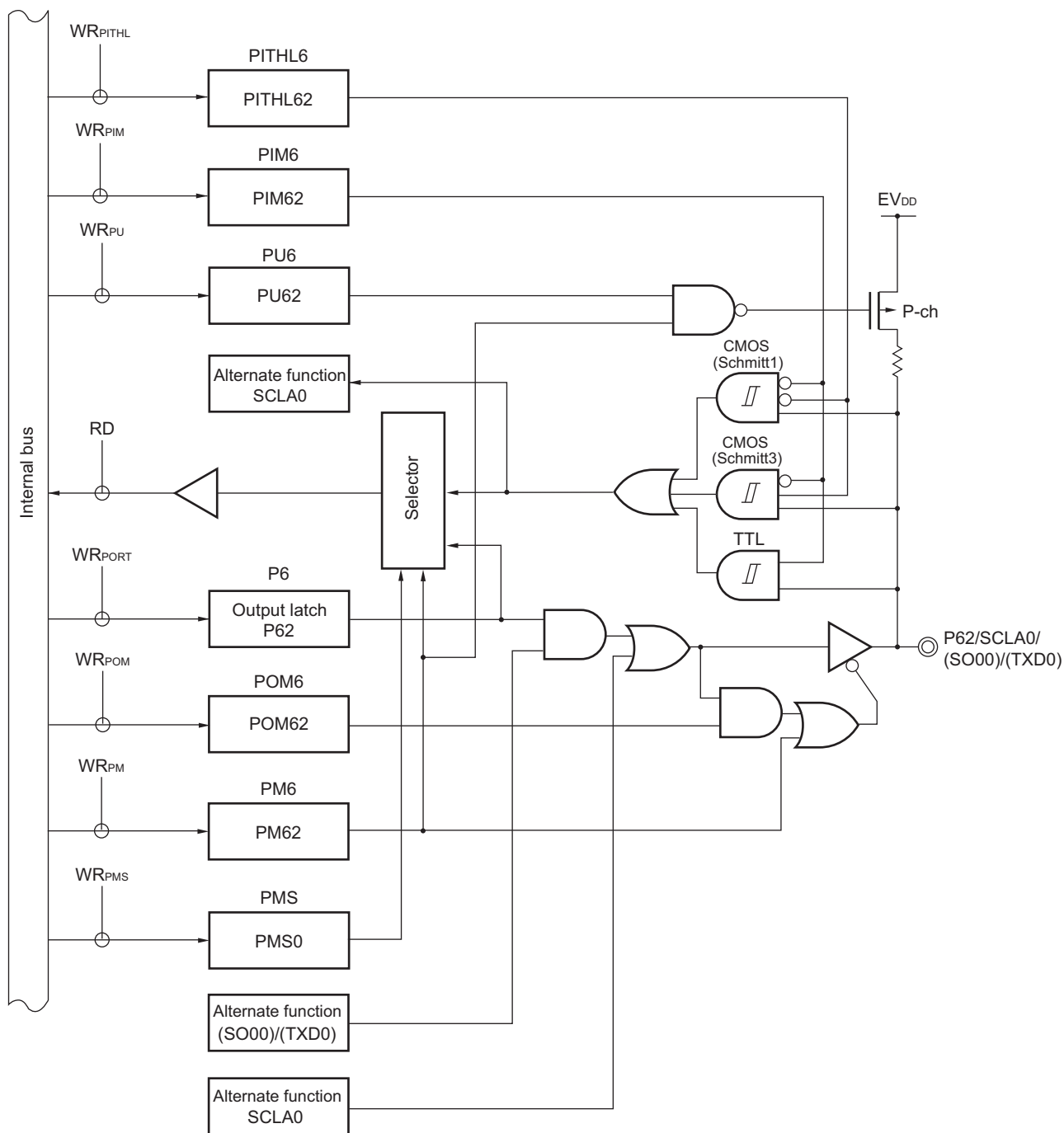
- P6: Port register 6
- PU6: Pull-up resistor option register 6
- PM6: Port mode register 6
- POM6: Port output mode register 6
- PMS: Port mode select register
- PITHL6: Port input threshold control register 6
- RD: Read signal
- WR_{xx}: Write signal

Figure 4-46. Block Diagram of P61



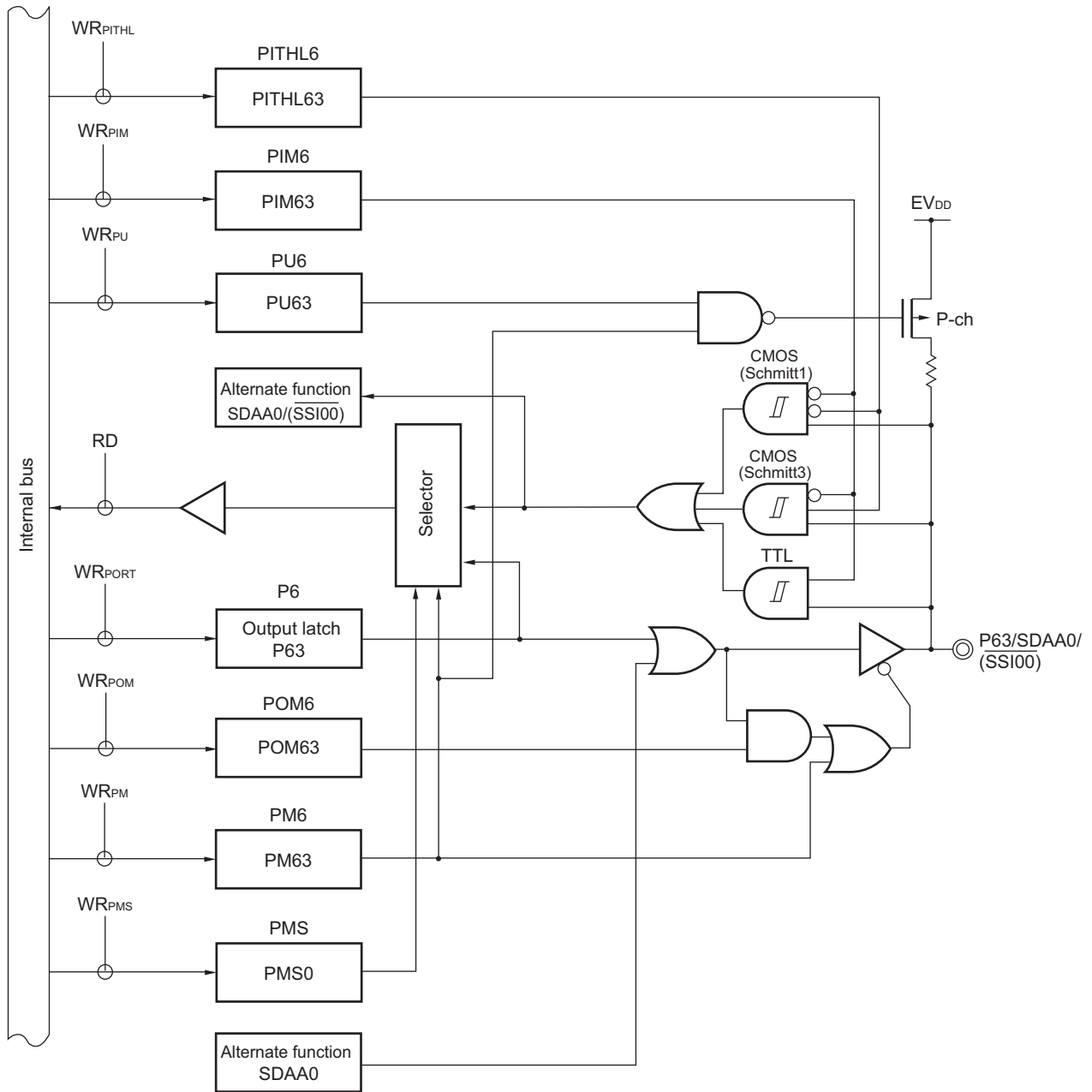
- P6: Port register 6
- PU6: Pull-up resistor option register 6
- PM6: Port mode register 6
- POM6: Port output mode register 6
- PMS: Port mode select register
- PITHL6: Port input threshold control register 6
- RD: Read signal
- WRxx: Write signal

Figure 4-47. Block Diagram of P62



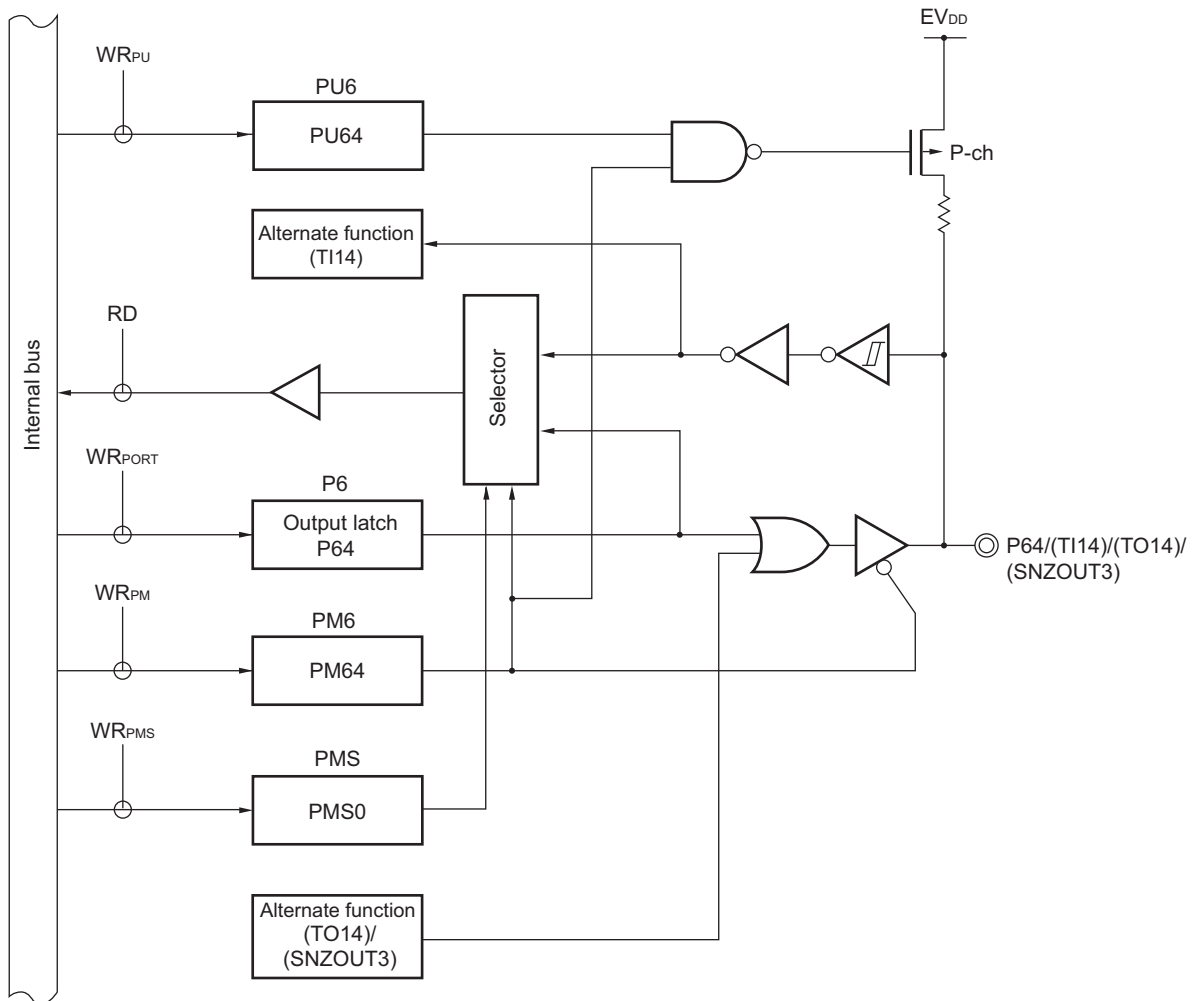
- P6: Port register 6
- PU6: Pull-up resistor option register 6
- PM6: Port mode register 6
- PIM6: Port input mode register 6
- POM6: Port output mode register 6
- PMS: Port mode select register
- PITHL6: Port input threshold control register 6
- RD: Read signal
- WR_{xx}: Write signal

Figure 4-48. Block Diagram of P63



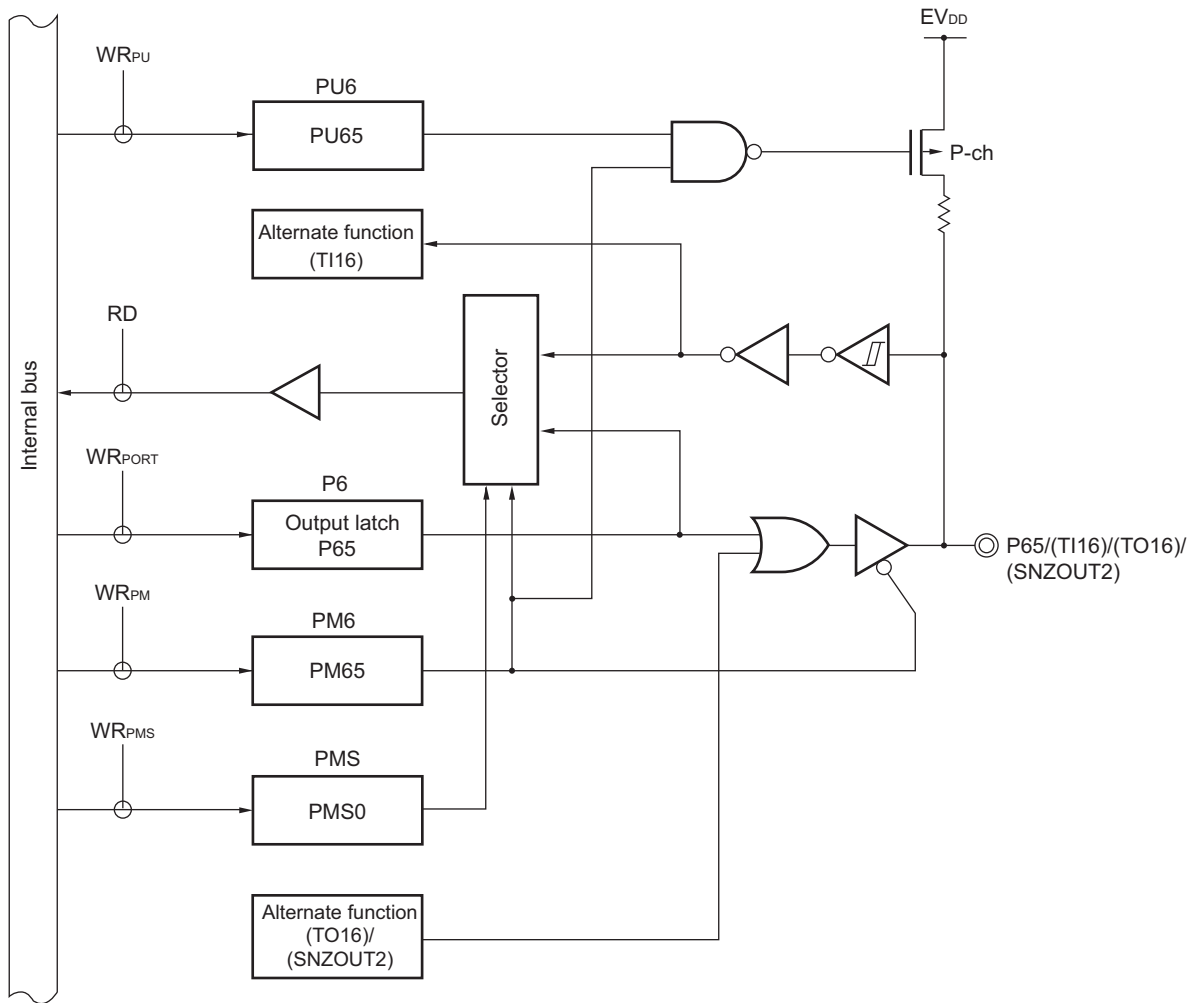
- P6: Port register 6
- PU6: Pull-up resistor option register 6
- PM6: Port mode register 6
- PIM6: Port input mode register 6
- POM6: Port output mode register 6
- PMS: Port mode select register
- PITHL6: Port input threshold control register 6
- RD: Read signal
- WR_{xx}: Write signal

Figure 4-49. Block Diagram of P64



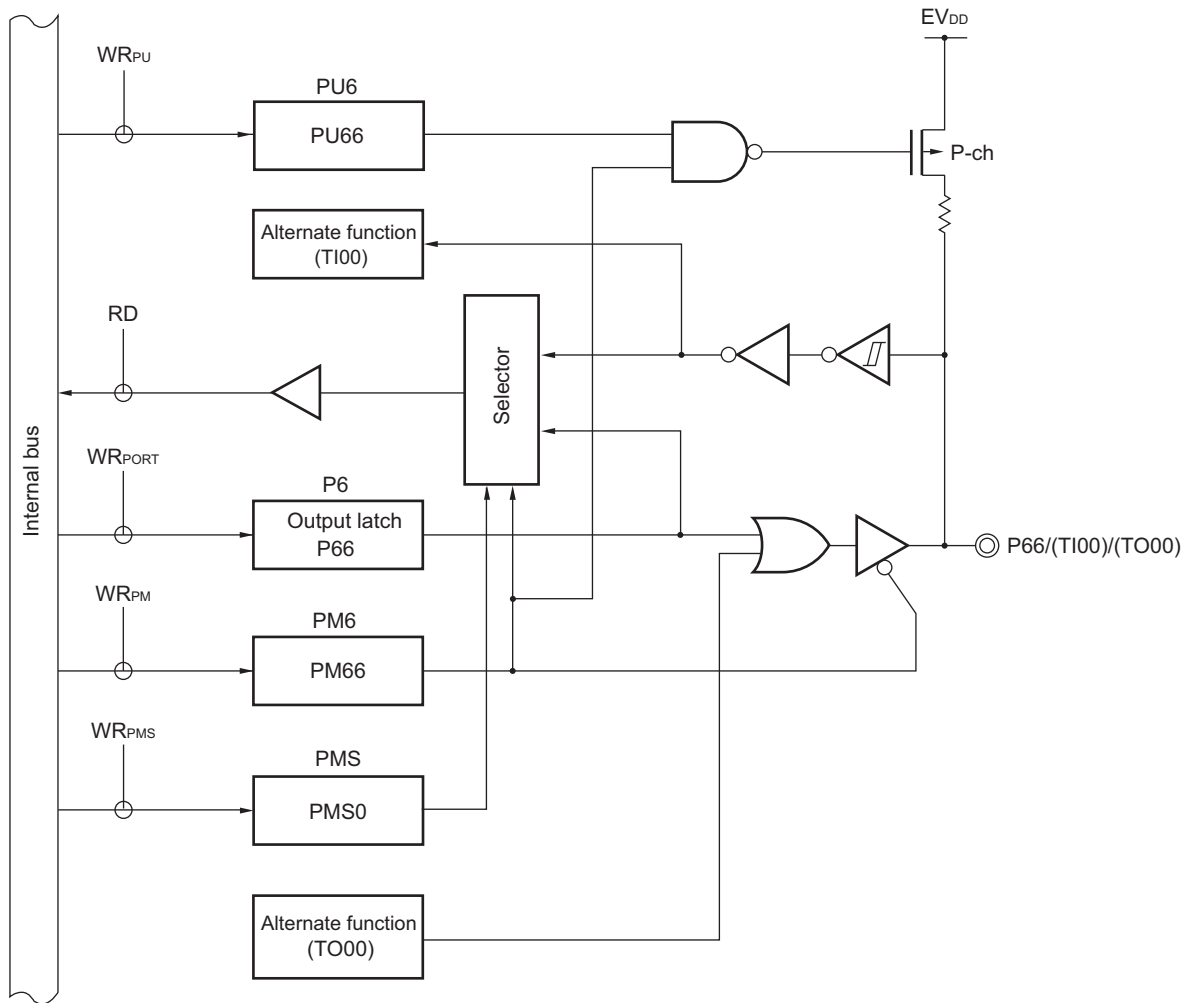
- P6: Port register 6
- PU6: Pull-up resistor option register 6
- PM6: Port mode register 6
- PMS: Port mode select register
- RD: Read signal
- WR_{xx}: Write signal

Figure 4-50. Block Diagram of P65



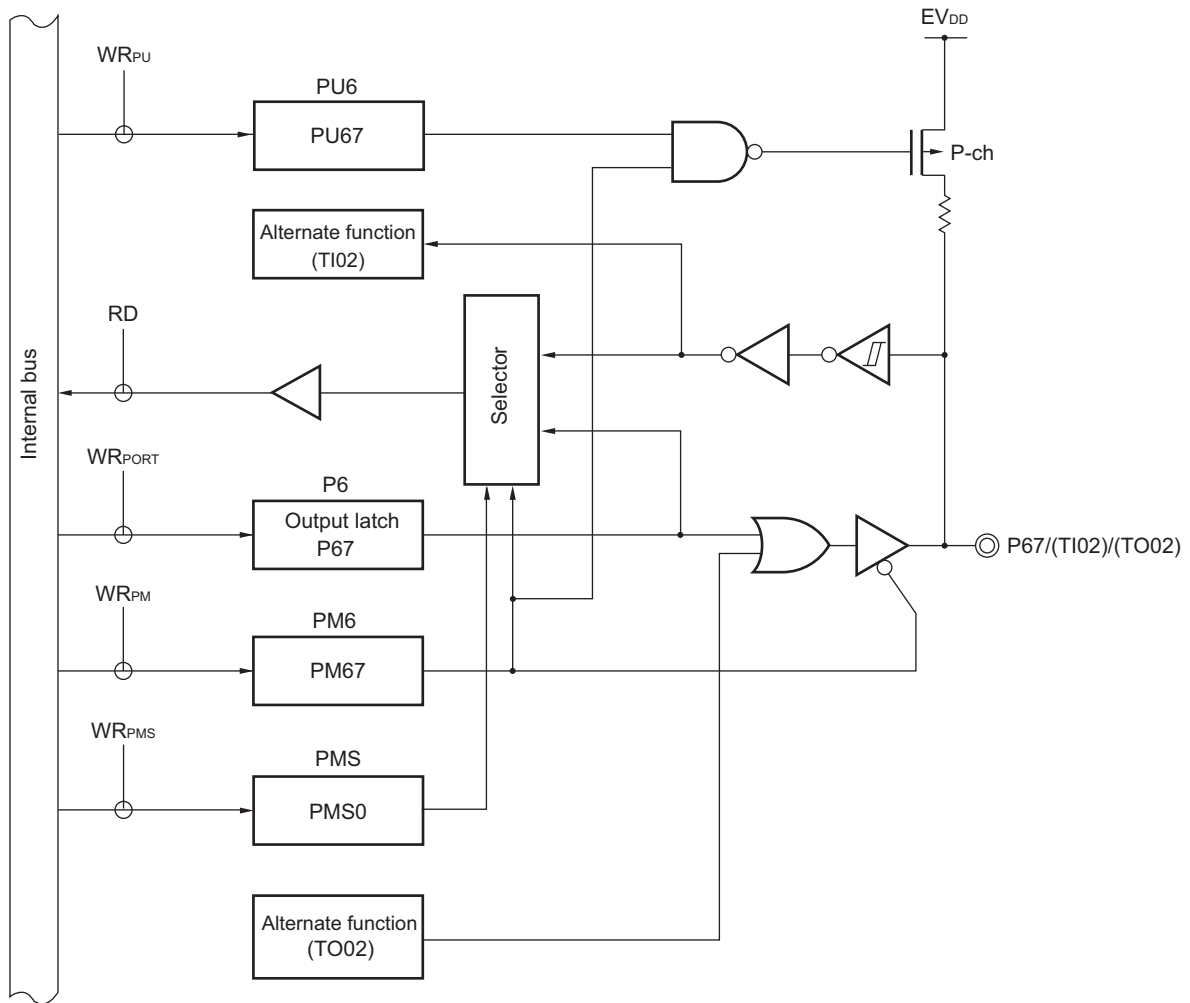
- P6: Port register 6
- PU6: Pull-up resistor option register 6
- PM6: Port mode register 6
- PMS: Port mode select register
- RD: Read signal
- WR_{xx}: Write signal

Figure 4-51. Block Diagram of P66



- P6: Port register 6
- PU6: Pull-up resistor option register 6
- PM6: Port mode register 6
- PMS: Port mode select register
- RD: Read signal
- WR_{xx}: Write signal

Figure 4-52. Block Diagram of P67



- P6: Port register 6
- PU6: Pull-up resistor option register 6
- PM6: Port mode register 6
- PMS: Port mode select register
- RD: Read signal
- WR_{xx}: Write signal

4.2.8 Port 7

Port 7 is an I/O port with an output latch. Port 7 can be set to the input mode or output mode in 1-bit units using port mode register 7 (PM7). When used as an input port, use of an on-chip pull-up resistor can be specified in 1-bit units by pull-up resistor option register 7 (PU7).

Input to the P70, P71, and P73 pins can be specified through a normal input buffer or a TTL input buffer in 1-bit units using port input mode register 7 (PIM7). For the P70, P71, P73, and P75 to P77 pin input, the threshold of the input buffer can be specified in 1-bit units using the port input threshold control register 7 (PITHL7). Output from the P70 to P72 pins can be specified as N-ch open-drain output (EV_{DD} tolerance) in 1-bit units using port output mode register 7 (POM7).

This port can also be used for A/D converter analog input, key interrupt input, data I/O for serial interfaces (simplified IIC, CSI, and UART), clock I/O, slave select input, timer I/O, external interrupt request input, SNOOZE status output, and serial data I/O for CAN.

When P70/ANI26 to P74/ANI30 are used to digital inputs/outputs, set them to digital inputs/outputs by port mode control register 7 (PMC7) (can be specified in 1-bit units).

When P70/ANI26 to P74/ANI30 are used to analog inputs, set them to analog inputs by port mode control register 7 (PMC7), and to input mode by PM7 register (can be specified in 1-bit units).

Reset signal generation sets P70 to P74 to analog input mode and P75 to P77 to input mode.

Table 4-12. Settings of Registers When Using Port 7 (1/2)

Pin Name		PM7x	PIM7x	POM7x	PMC7x	PITHL7x	Alternate Function Setting ^{Note 6}	Remark	
Name	I/O								
P70	Input	1	0	x	0	0	x	CMOS input (Schmitt1 input)	
						1		CMOS input (Schmitt3 input)	
						1		x	0
	Output	0	x	0	0	x	SDA11 output = 1 ^{Note 1} TO15 output = 0 ^{Note 2} SNZOUT4 output = 0 ^{Note 3}	CMOS output	
								x	1
P71	Input	1	0	x	0	0	x	CMOS input (Schmitt1 input)	
						1		CMOS input (Schmitt3 input)	
						1		x	0
	Output	0	x	0	0	x	SCK11 output = 1 ^{Note 4} TO17 output = 0 ^{Note 2} SCL11 output = 1 ^{Note 4} SNZOUT5 output = 0 ^{Note 3}	CMOS output	
								x	1
P72	Input	1	–	x	0	–	x		
	Output	0	–	0	0	–	SO11 output = 1 ^{Note 1} SNZOUT6 output = 0 ^{Note 3} (CTXD0 output = 1 ^{Note 5})	CMOS output	
–				1	0	–		N-ch O.D output	
P73	Input	1	0	–	0	0	x	CMOS input (Schmitt1 input)	
						1		x	CMOS input (Schmitt3 input)
						1		–	0
	Output	0	x	–	0	x	SNZOUT7 output = 0 ^{Note 3}	CMOS output	
P74	Input	1	–	–	0	–	x		
	Output	0	–	–	0	–	(SO10 output = 1) ^{Note 1} (TXD1 output = 1) ^{Note 1}		

(Notes and Remark are listed on the next page.)

Table 4-12. Settings of Registers When Using Port 7 (2/2)

Pin Name		PM7x	PIM7x	POM7x	PMC7x	PITHL7x	Alternate Function Setting	Remark
Name	I/O							
P75	Input	1	-	-	-	0	x	CMOS input (Schmitt1 input)
						1	x	CMOS input (Schmitt3 input)
	Output	0	-	-	-	x	x	
P76	Input	1	-	-	-	0	x	CMOS input (Schmitt1 input)
						1	x	CMOS input (Schmitt3 input)
	Output	0	-	-	-	x	(SCK10 output = 1 ^{Note 4})	
P77	Input	1	-	-	-	0	x	CMOS input (Schmitt1 input)
						1	x	CMOS input (Schmitt3 input)
	Output	0	-	-	-	x	x	

- Notes**
1. When a pin sharing the serial array unit function is to be used as a general-purpose port pin, the SOMn bit of the serial output register m (SOM), the SOEmn bit of the serial output enable register m (SOEm), and the SEMn bit of the serial channel enable status register m (SEm) corresponding to the target unit and channel must have the same setting as its initial value (m = 0, 1, 2, n = 0, 1).
 2. When a pin sharing a timer output function of the timer array unit is to be used as a general-purpose port pin, the TOMn bit of the timer output register m (TOM) and the TOEmn bit of the timer output enable register m (TOEm) corresponding to the target unit and channel must have the same setting as in the initial state (m = 0, 1, 2, n = 0 to 7).
 3. When a pin sharing the SNOOZE status output function is to be used as a general-purpose port pin, the OUTEN0 to OUTEN7 bits of the SNOOZE status output control registers 0, 1, 2, 3 (PSNZCNT0, 1, 2, 3) must have the same setting as its initial value.
 4. When a pin sharing the serial array unit function is to be used as a general-purpose port pin, the CKOm bit of the serial output register m (SOM), the SOEmn bit of the serial output enable register m (SOEm), and the SEMn bit of the serial channel enable status register m (SEm) corresponding to the target unit and channel must have the same setting as its initial value (m = 0, 1, 2, n = 0, 1).
 5. When a pin sharing the serial data output function of the CAN is to be used as a general-purpose port pin, operation of the corresponding CAN must be stopped.
 6. Functions in parentheses can be assigned via settings in the peripheral I/O redirection register 4 (PIOR4).

Remark

- x: Don't care
- PM7x: Port mode register 7
- PIM7x: Port input mode register 7
- POM7x: Port output mode register 7
- PMC7x: Port mode control register 7
- PITHL7x: Port input threshold control register 7

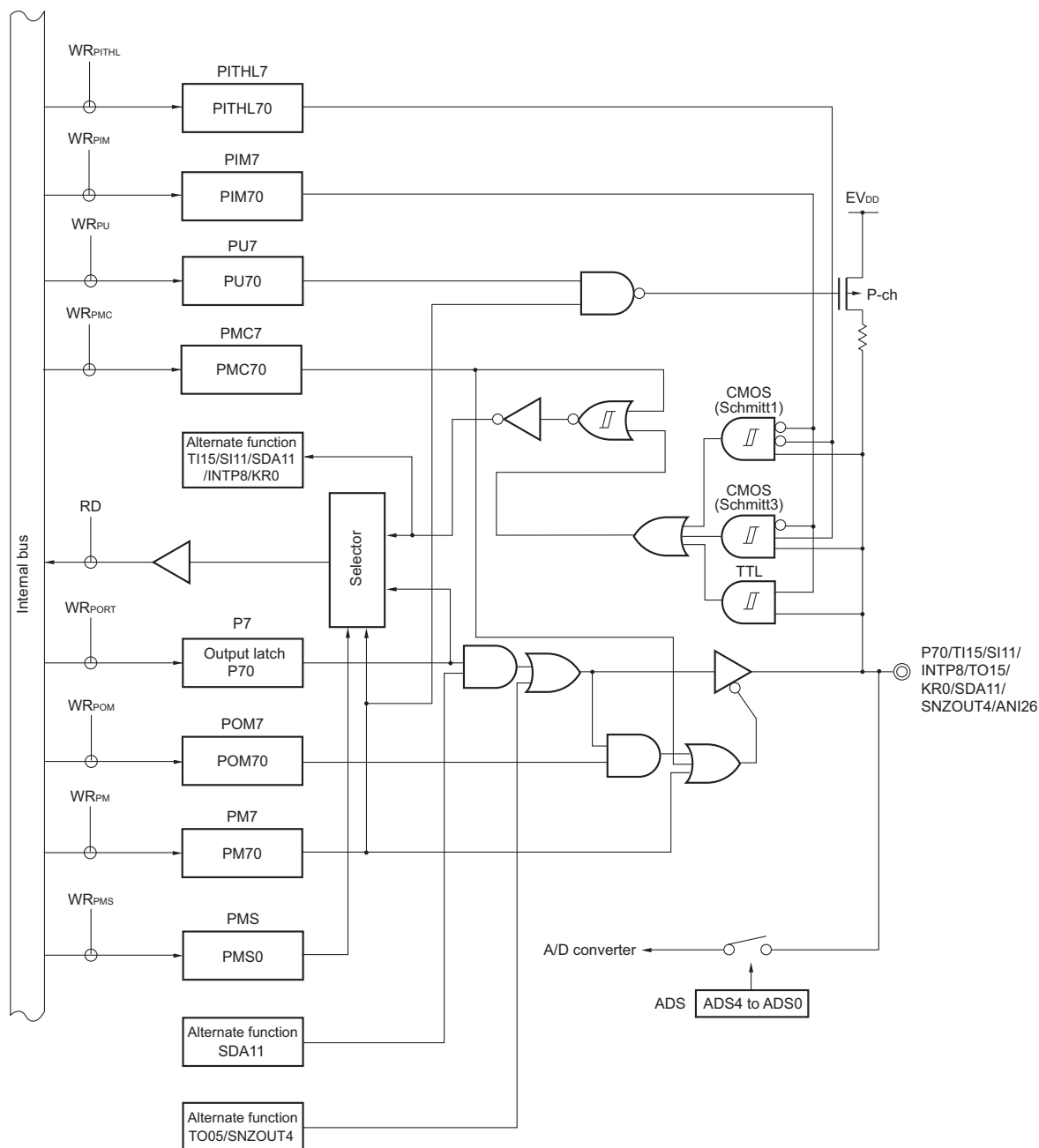
Table 4-13. Setting Functions of P70/ANI26 to P74/ANI30 Pins

PMC7 Register	PM7 Register	ADS Register	P70/ANI26 to P74/ANI30 Pins
Digital I/O selection	Input mode	—	Digital input
	Output mode	—	Digital output
Analog selection	Input mode	Selects ANI.	Analog input (to be converted)
		Does not select ANI.	Analog input (not to be converted)
	Output mode	Selects ANI.	Setting prohibited
		Does not select ANI.	

Reset signal generation sets P70/ANI26 to P74/ANI30 to analog input mode.

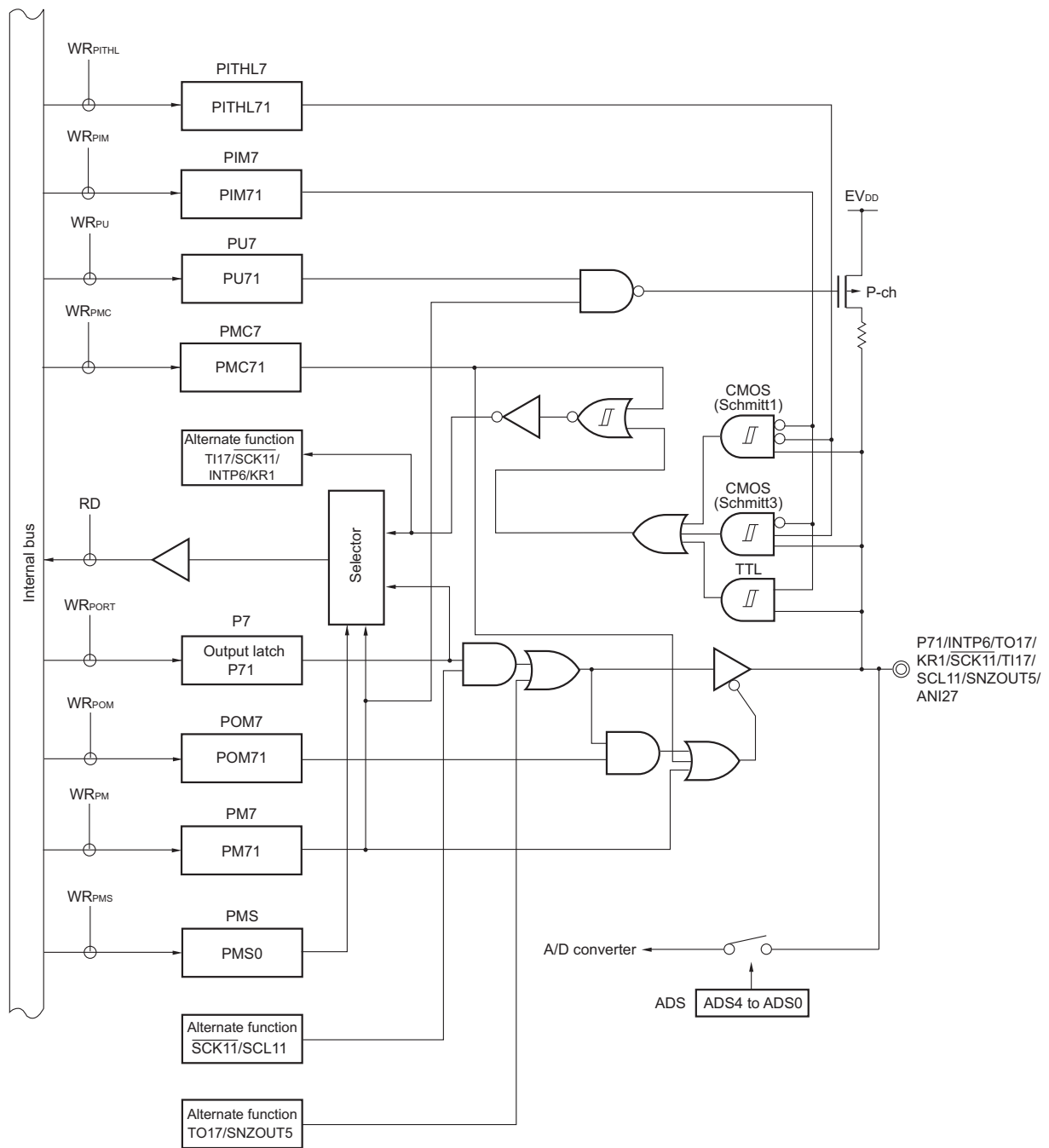
Figures 4-53 to 4-60 show block diagrams of port 7 for 144-pin products.

Figure 4-53. Block Diagram of P70



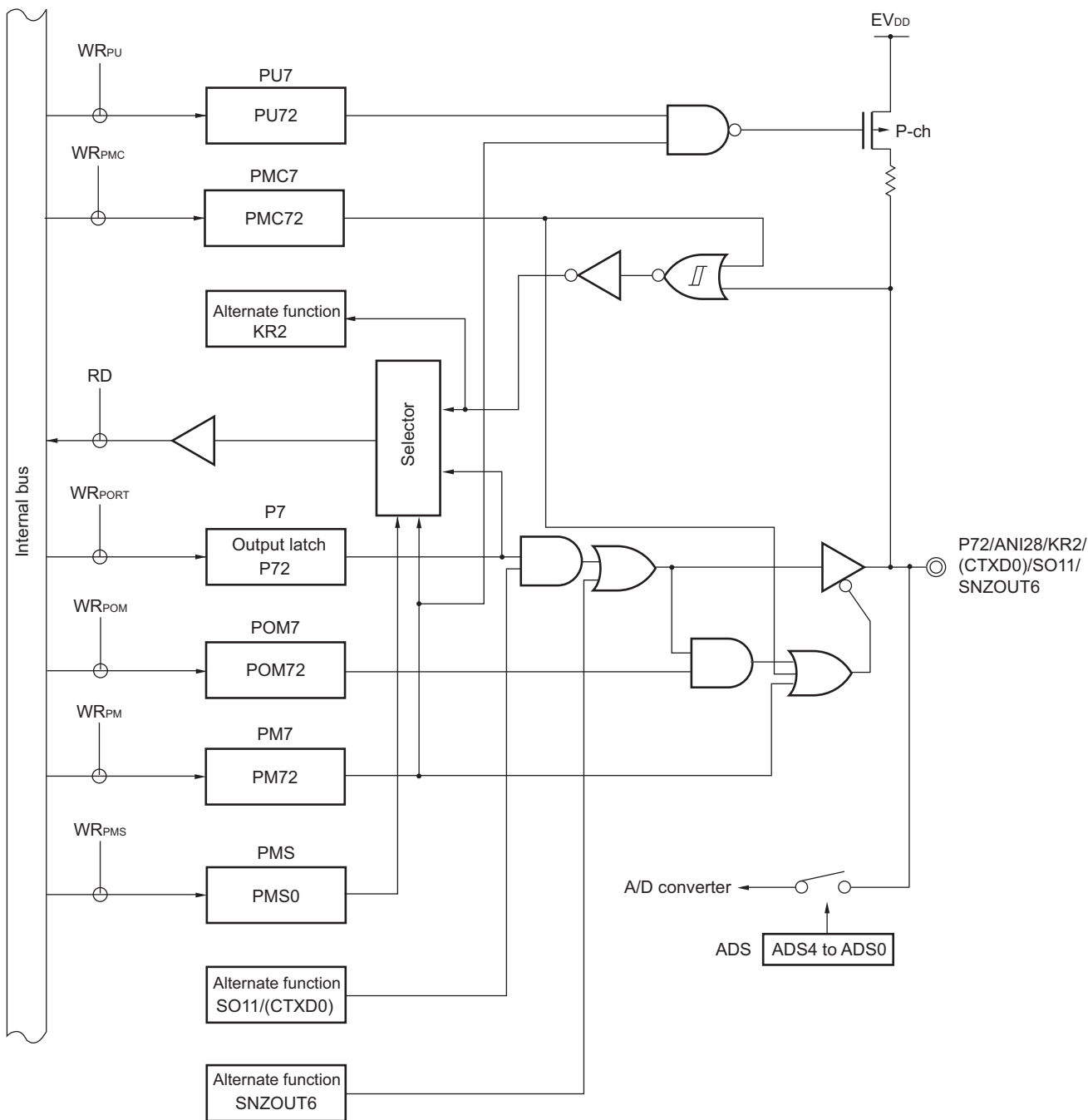
- P7: Port register 7
- PU7: Pull-up resistor option register 7
- PM7: Port mode register 7
- PIM7: Port input mode register 7
- POM7: Port output mode register 7
- PMC7: Port mode control register 7
- PMS: Port mode select register
- PITHL7: Port input threshold control register 7
- ADS: Analog input channel specification register
- RD: Read signal
- WRxx: Write signal

Figure 4-54. Block Diagram of P71



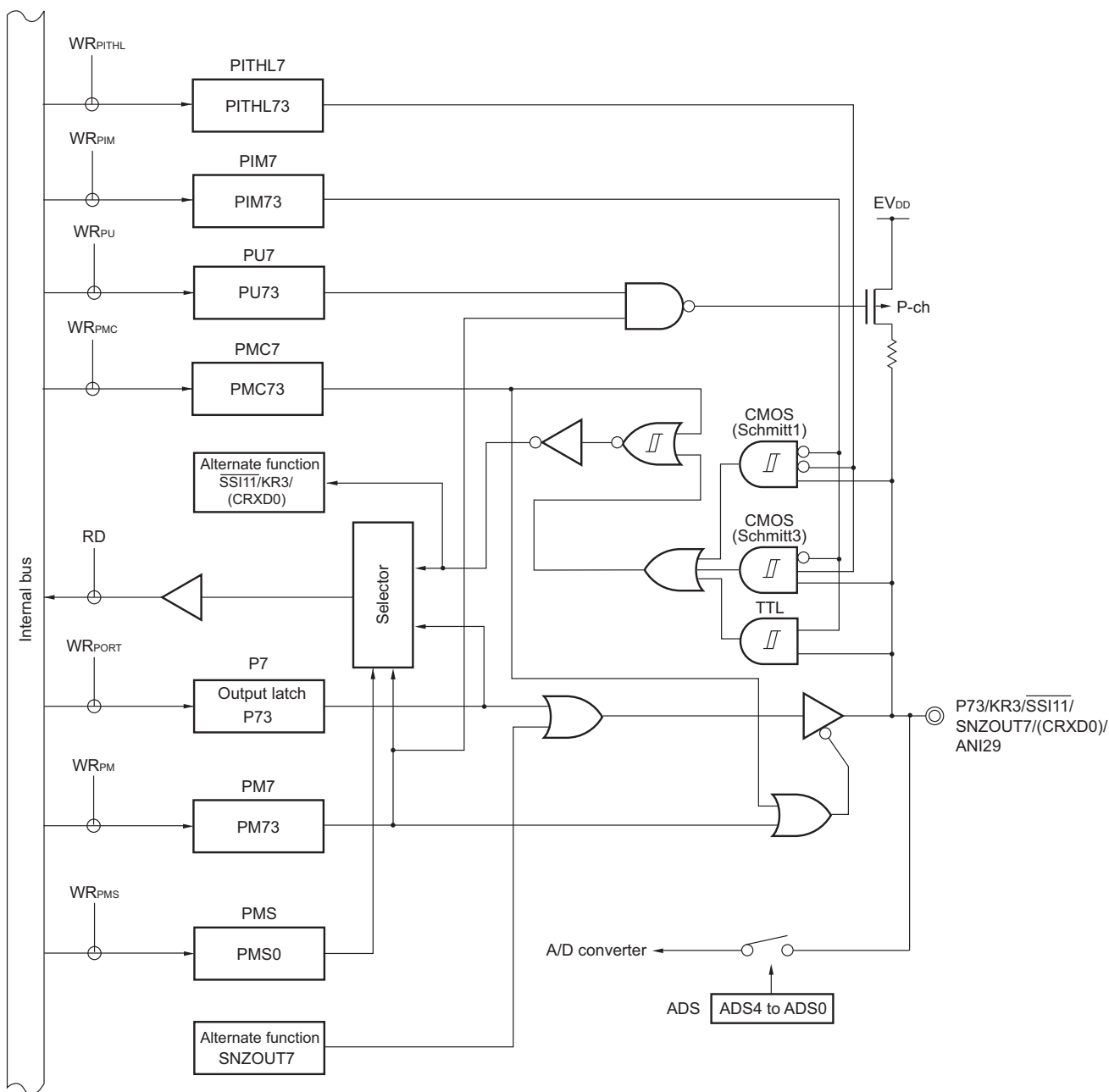
- P7: Port register 7
- PU7: Pull-up resistor option register 7
- PM7: Port mode register 7
- PIM7: Port input mode register 7
- POM7: Port output mode register 7
- PMC7: Port mode control register 7
- PMS: Port mode select register
- PITHL7: Port input threshold control register 7
- ADS: Analog input channel specification register
- RD: Read signal
- WRxx: Write signal

Figure 4-55. Block Diagram of P72



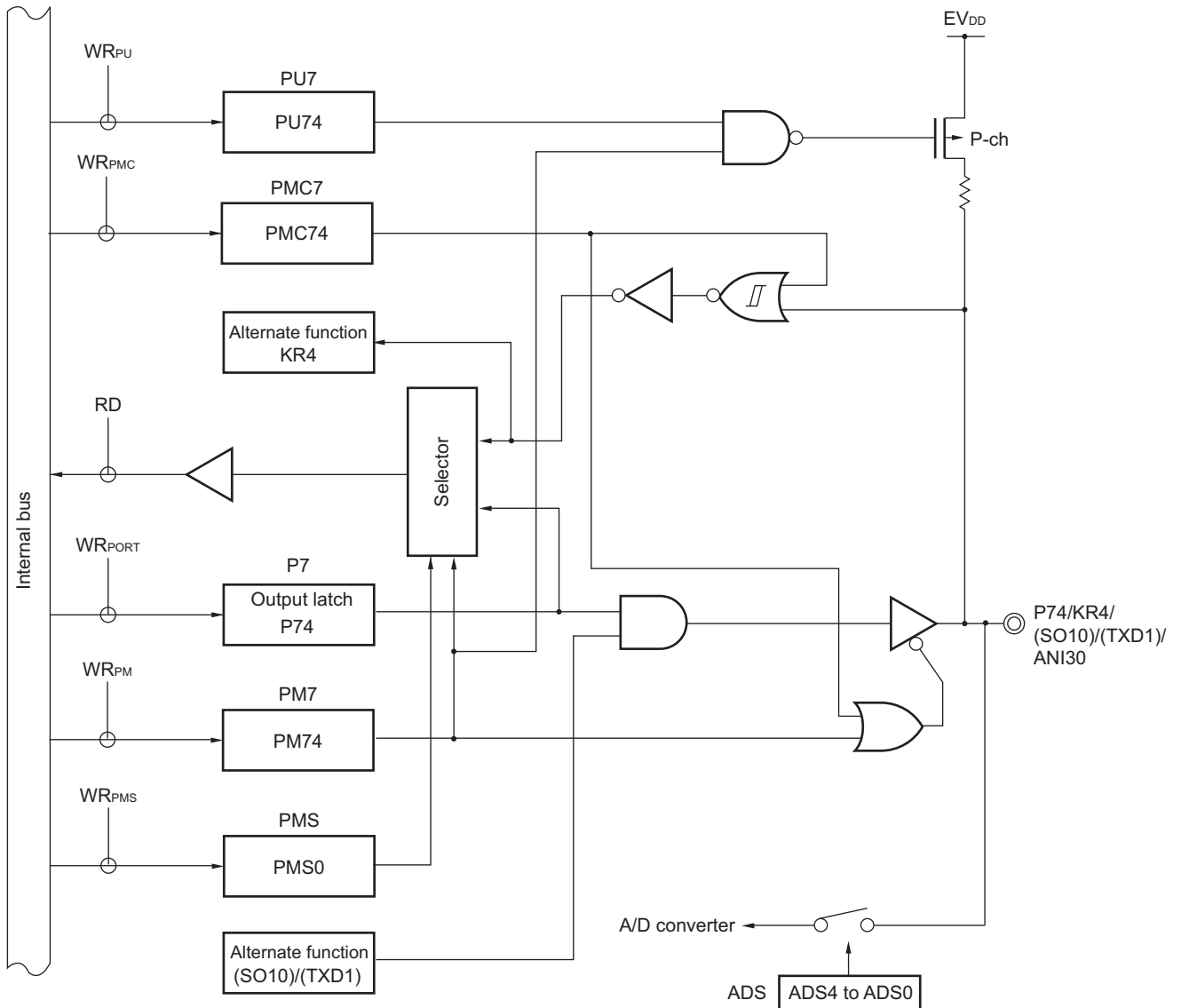
- P7: Port register 7
- PU7: Pull-up resistor option register 7
- PM7: Port mode register 7
- POM7: Port output mode register 7
- PMC7: Port mode control register 7
- PMS: Port mode select register
- ADS: Analog input channel specification register
- RD: Read signal
- WRxx: Write signal

Figure 4-56. Block Diagram of P73



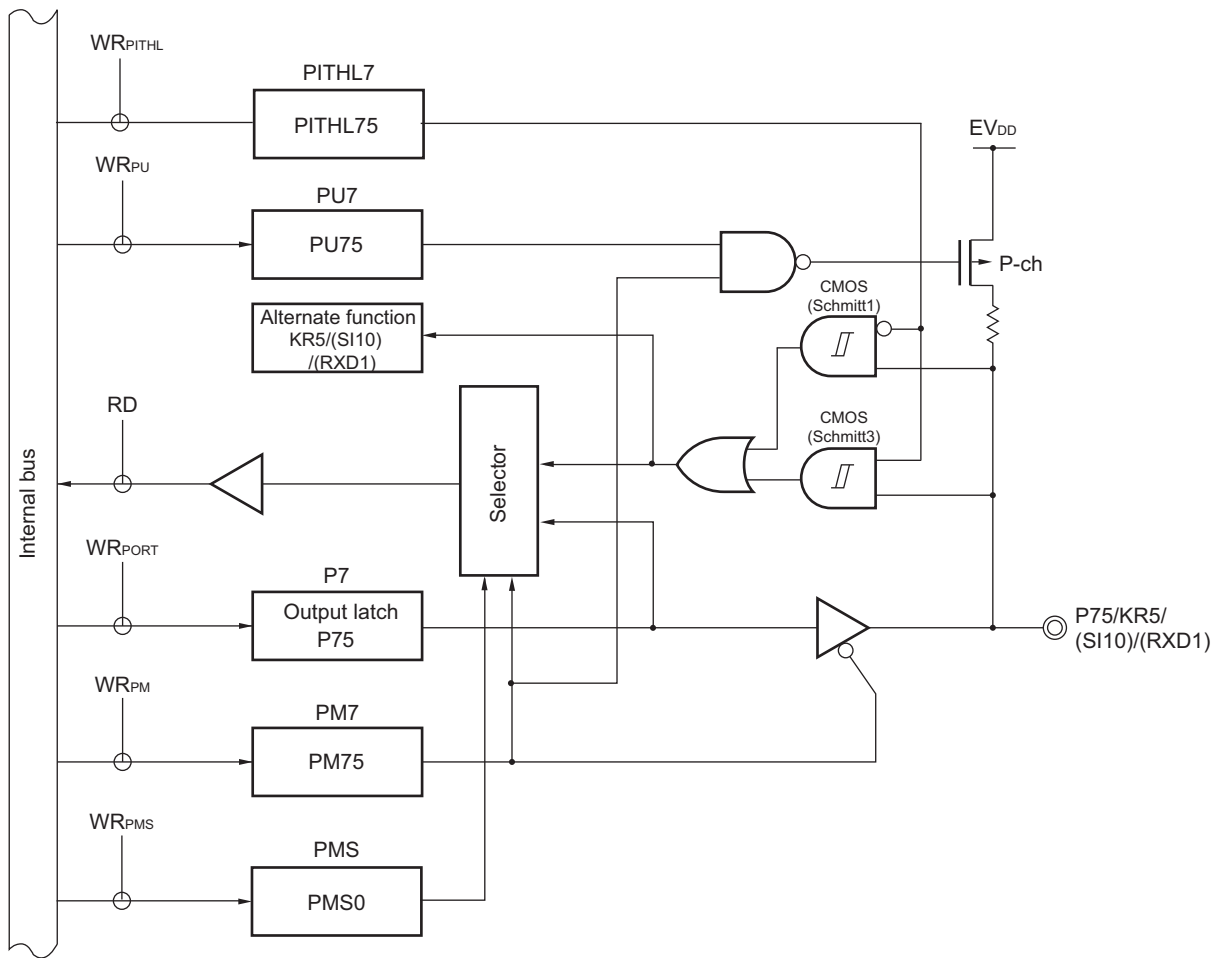
- P7: Port register 7
- PU7: Pull-up resistor option register 7
- PM7: Port mode register 7
- PIM7: Port input mode register 7
- PMC7: Port mode control register 7
- PMS: Port mode select register
- PITHL7: Port input threshold control register 7
- ADS: Analog input channel specification register
- RD: Read signal
- WR_{xx}: Write signal

Figure 4-57. Block Diagram of P74



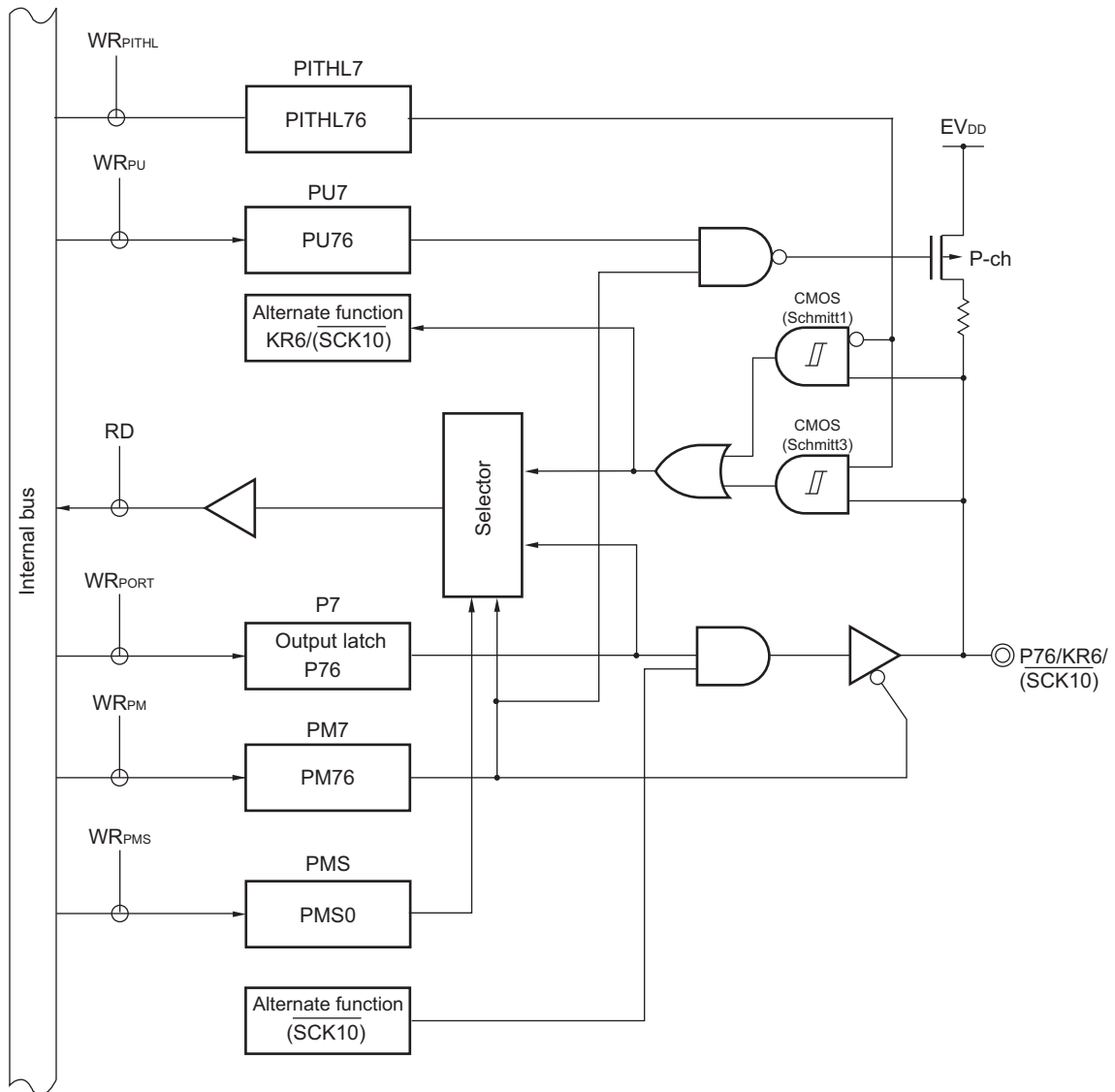
- P7: Port register 7
- PU7: Pull-up resistor option register 7
- PM7: Port mode register 7
- PMC7: Port mode control register 7
- PMS: Port mode select register
- ADS: Analog input channel specification register
- RD: Read signal
- WRxx: Write signal

Figure 4-58. Block Diagram of P75



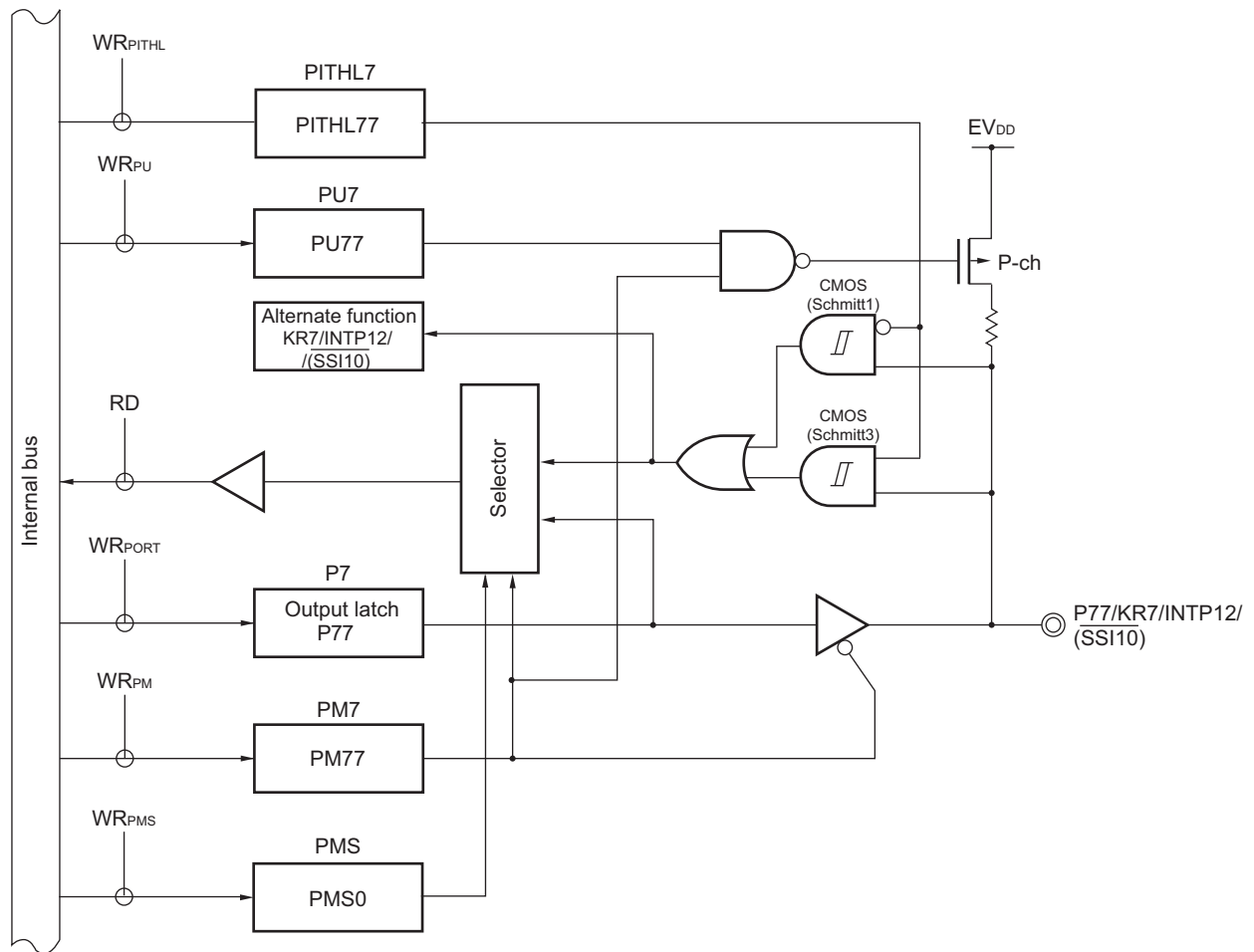
- P7: Port register 7
- PU7: Pull-up resistor option register 7
- PM7: Port mode register 7
- PMS: Port mode select register
- PITHL7: Port input threshold control register 7
- RD: Read signal
- WR_{xx}: Write signal

Figure 4-59. Block Diagram of P76



- P7: Port register 7
- PU7: Pull-up resistor option register 7
- PM7: Port mode register 7
- PMS: Port mode select register
- PITHL7: Port input threshold control register 7
- RD: Read signal
- WR_{xx}: Write signal

Figure 4-60. Block Diagram of P77



- P7: Port register 7
- PU7: Pull-up resistor option register 7
- PM7: Port mode register 7
- PMS: Port mode select register
- PITHL7: Port input threshold control register 7
- RD: Read signal
- WR_{xx}: Write signal

4.2.9 Port 8

Port 8 is an I/O port with an output latch. Port 8 can be set to the input mode or output mode in 1-bit units using port mode register 8 (PM8).

This port can also be used for analog input for A/D converter.

P80 to P85 can also be used for D/A converter output, and analog voltage input and reference voltage input for comparator.

To use P80/ANI2 to P87/ANI9 as digital I/O pins, set them in the digital I/O mode by using the A/D port configuration register (ADPC) and in the input mode or the output mode by using the PM8 register. Use these pins starting from the upper bit.

To use P80/ANI2 to P87/ANI9 as analog input pins, set them in the analog I/O mode by using the A/D port configuration register (ADPC) and in the input mode by using the PM8 register. Use these pins starting from the lower bit.

Table 4-14. Settings of Registers When Using Port 8

Pin Name		PM8x	ADPC	Alternate Function Setting	Remark
Name	I/O				
P8n	Input	1	03 to n+3H	-	To use P8n as a port, use these pins from the upper bit.
	Output	0	03 to n+3H		

- Remarks**
1. PM8x: Port mode register 8
ADPC: A/D port configuration register
 2. n = 0 to 7

Table 4-15. Setting Functions of P80/ANI2/ANO0 Pin

ADPC Register	PM8 Register	DAM Register	DAM2 Register	ADS Register	Functions of ANO0/ANI2/ P80 Pin	
Digital I/O	Input mode	—	Enables analog output	—	Setting prohibited	
			Disables analog output		Digital input	
	Output mode	—	Enables analog output	—	Setting prohibited	
			Disables analog output		Digital output	
Analog I/O	Input mode	Enables D/A conversion operation	Enables analog output	Selects ANI	Setting prohibited	
			Does not selects ANI	Does not selects ANI	Analog output (D/A conversion output)	
			Disables analog output	Selects ANI	Analog input (to be converted)	
			Does not selects ANI	Does not selects ANI	Analog input (not to be converted) ^{Note}	
	Stops D/A conversion operation	—	—	Enables analog output	Selects ANI	Setting prohibited
				Does not selects ANI	Does not selects ANI	Setting prohibited
				Disables analog output	Selects ANI	Analog input (to be converted)
				Does not selects ANI	Does not selects ANI	Analog input (not to be converted)
Output mode	—	—	—	—	Setting prohibited	

Note This is a setting that the D/A converter is used for internal reference voltage of comparator. In this case, set CVRS1, CVRS0 bits of CMPSEL register to 10b (internal reference voltage (DAC output) is selected).

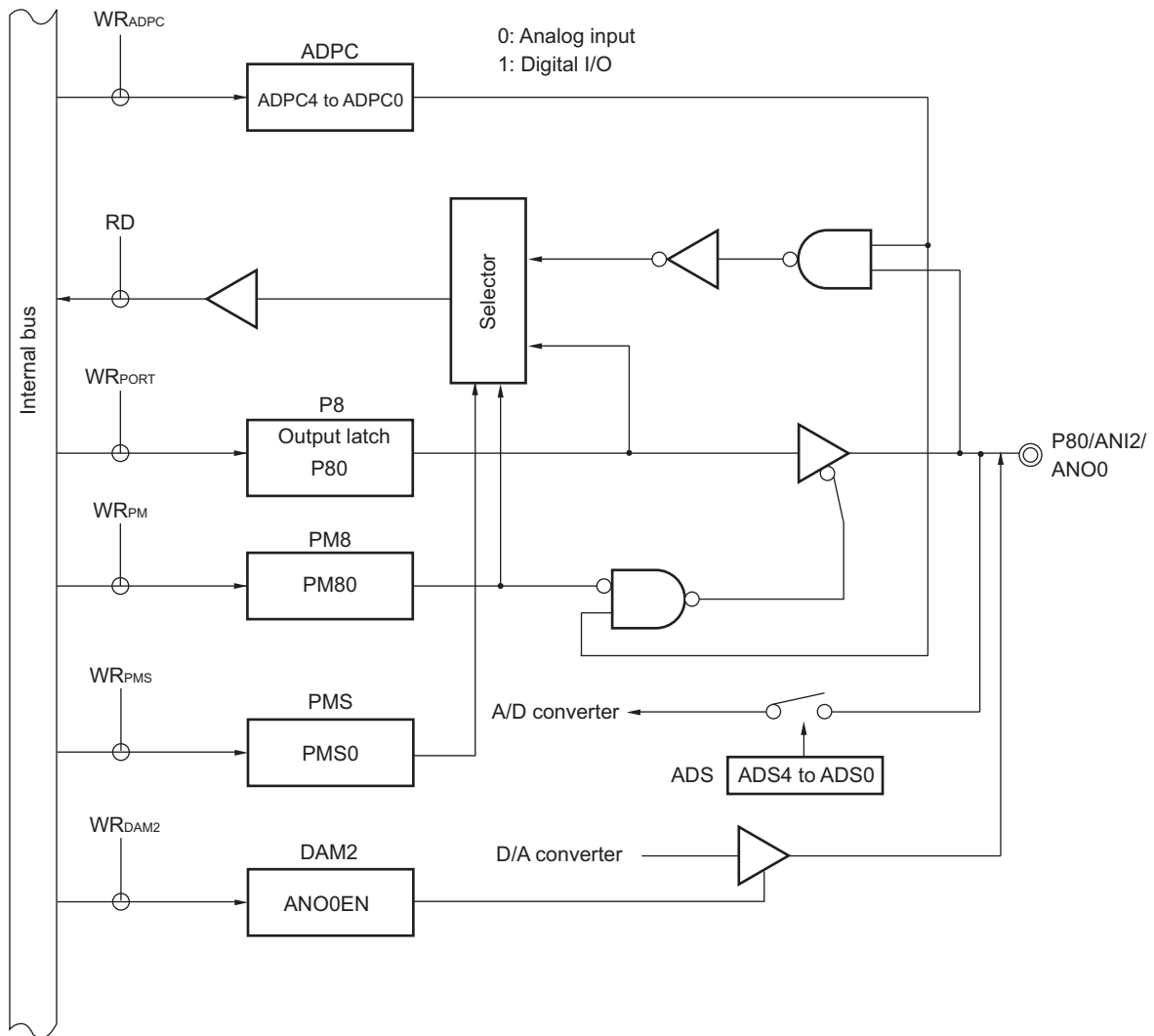
Table 4-16. Setting Functions of P81/ANI3 to P87/ANI9 Pins

ADPC Register	PM8 Register	ADS Register	P81/ANI3 to P87/ANI9 Pins
Digital I/O selection	Input mode	—	Digital input
	Output mode	—	Digital output
Analog input selection	Input mode	Selects ANI.	Analog input (to be converted)
		Does not select ANI.	Analog input (not to be converted)
	Output mode	Selects ANI.	Setting prohibited
		Does not select ANI.	Setting prohibited

Reset signal generation sets P81/ANI3 to P87/ANI9 to analog input mode.

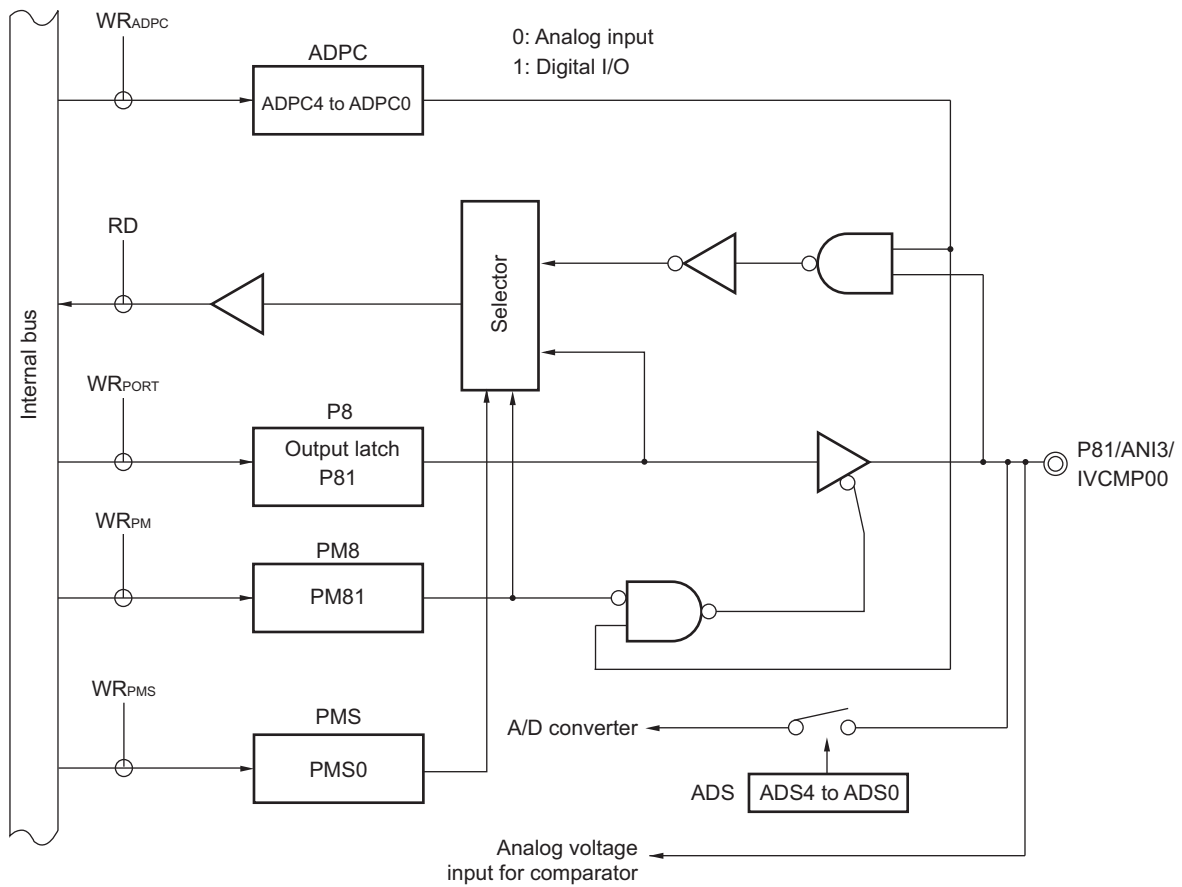
Figures 4-61 to 4-68 show block diagrams of port 8 for 144-pin products.

Figure 4-61. Block Diagram of P80



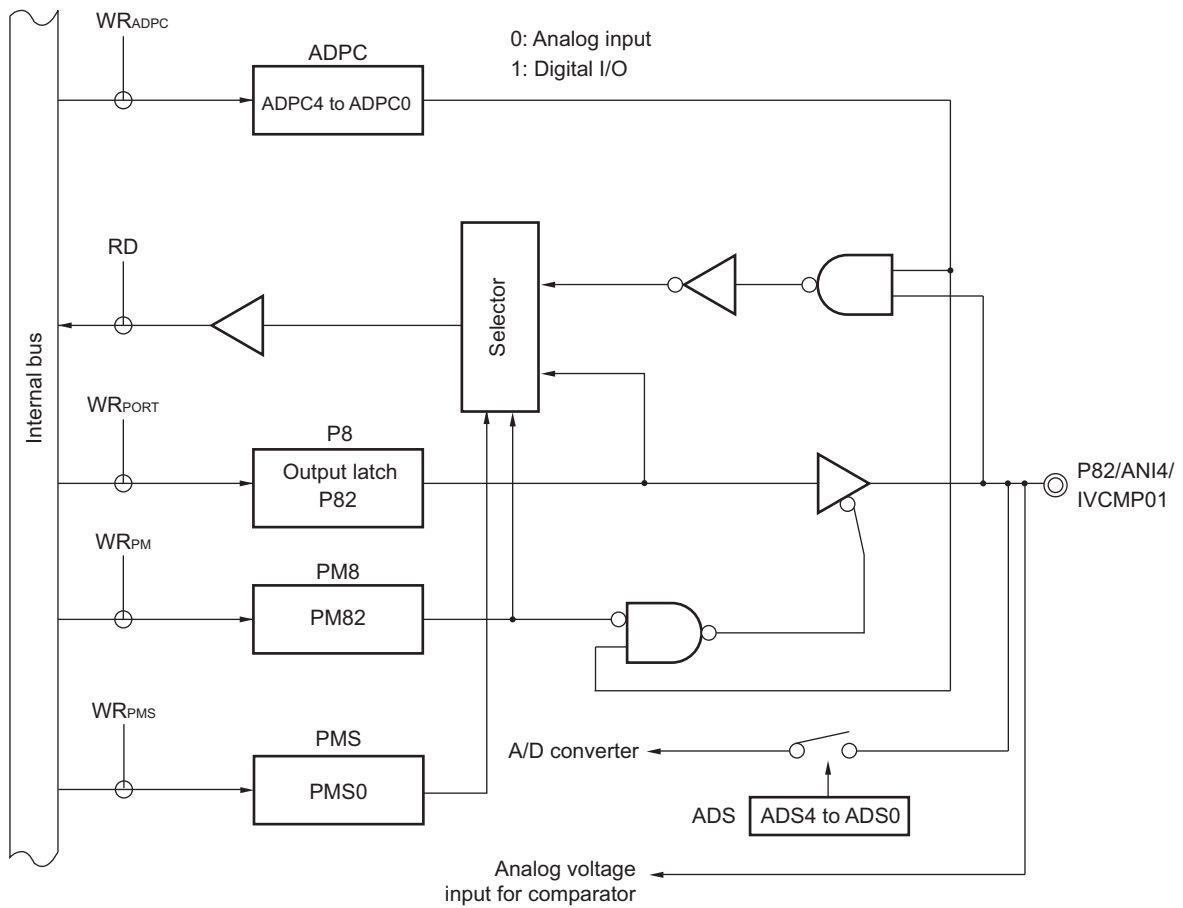
- P8: Port register 8
- PM8: Port mode register 8
- PMS: Port mode select register
- ADPC: A/D port configuration register
- DAM2: D/A converter mode register 2
- ADS: Analog input channel specification register
- RD: Read signal
- WRxx: Write signal

Figure 4-62. Block Diagram of P81



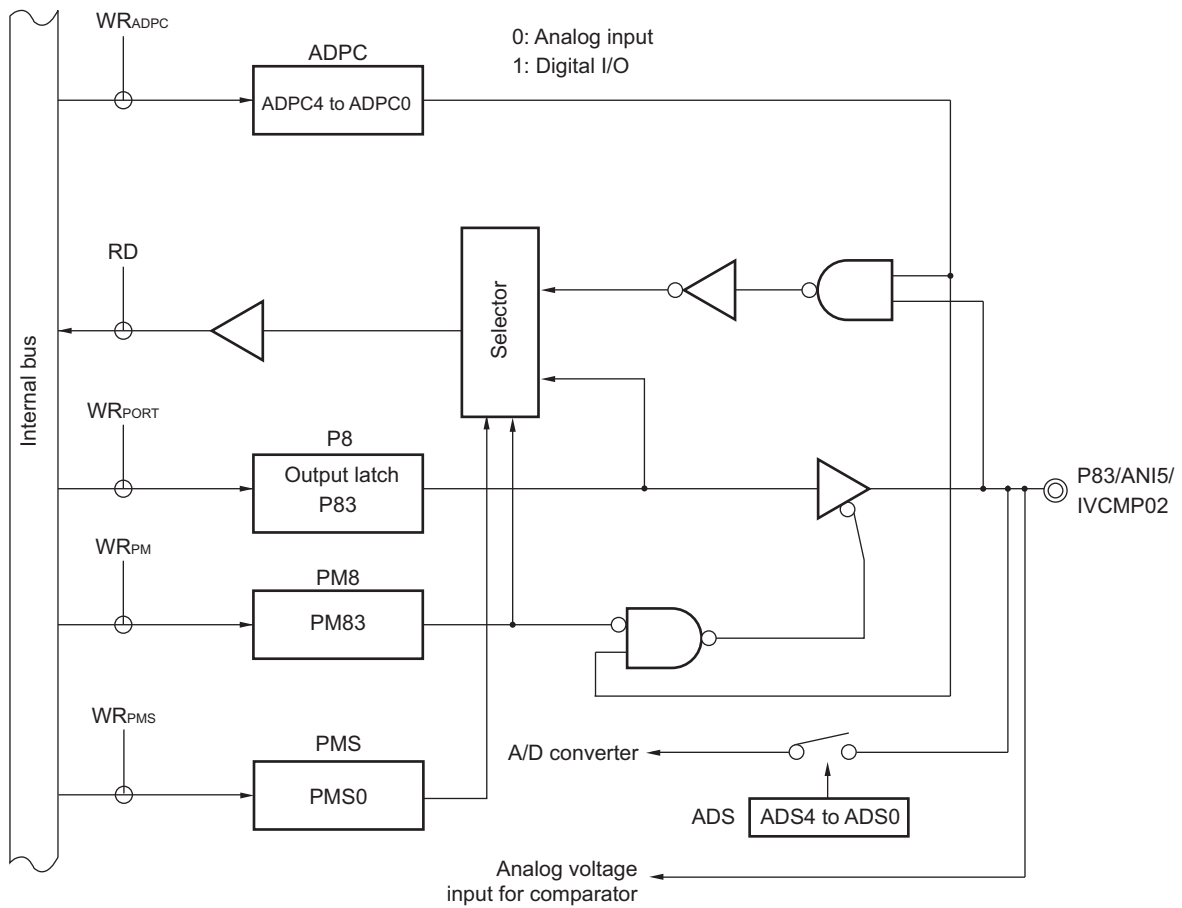
- P8: Port register 8
- PM8: Port mode register 8
- PMS: Port mode select register
- ADPC: A/D port configuration register
- ADS: Analog input channel specification register
- RD: Read signal
- WRxx: Write signal

Figure 4-63. Block Diagram of P82



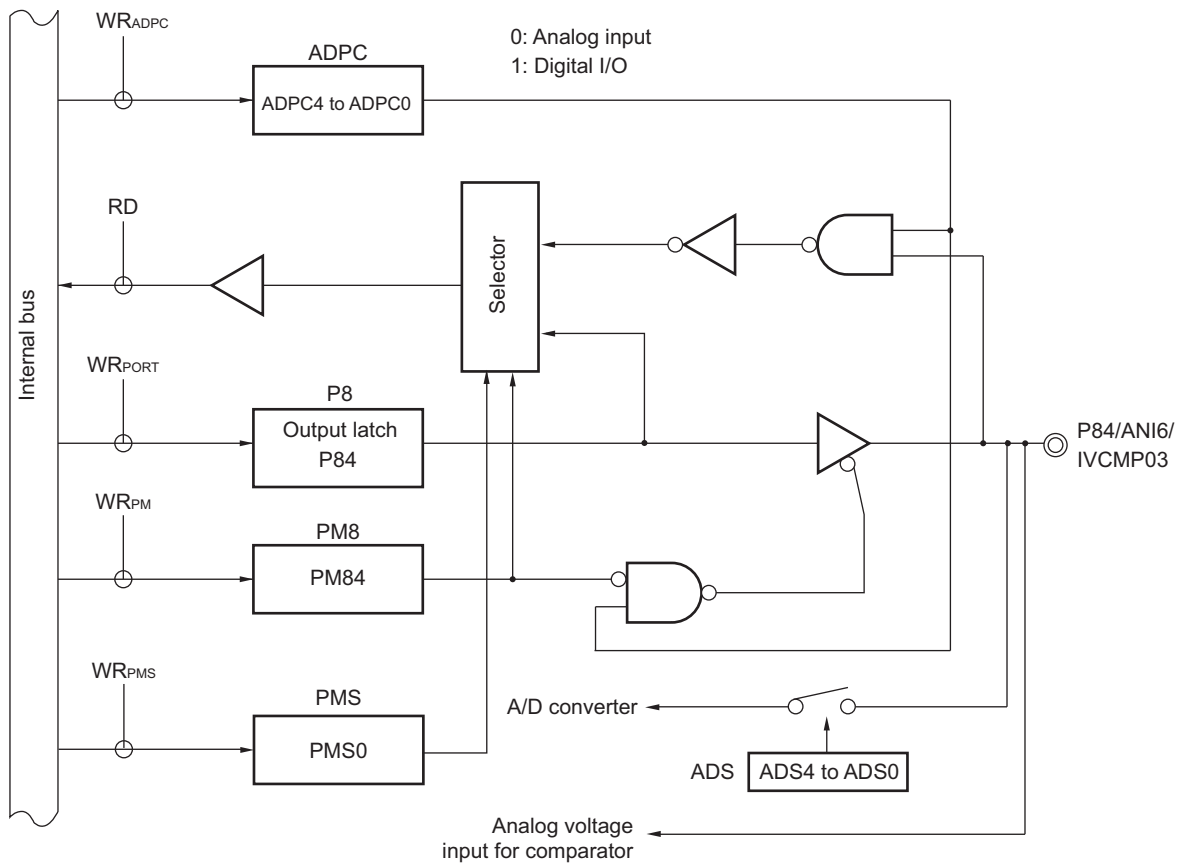
- P8: Port register 8
- PM8: Port mode register 8
- PMS: Port mode select register
- ADPC: A/D port configuration register
- ADS: Analog input channel specification register
- RD: Read signal
- WRxx: Write signal

Figure 4-64. Block Diagram of P83



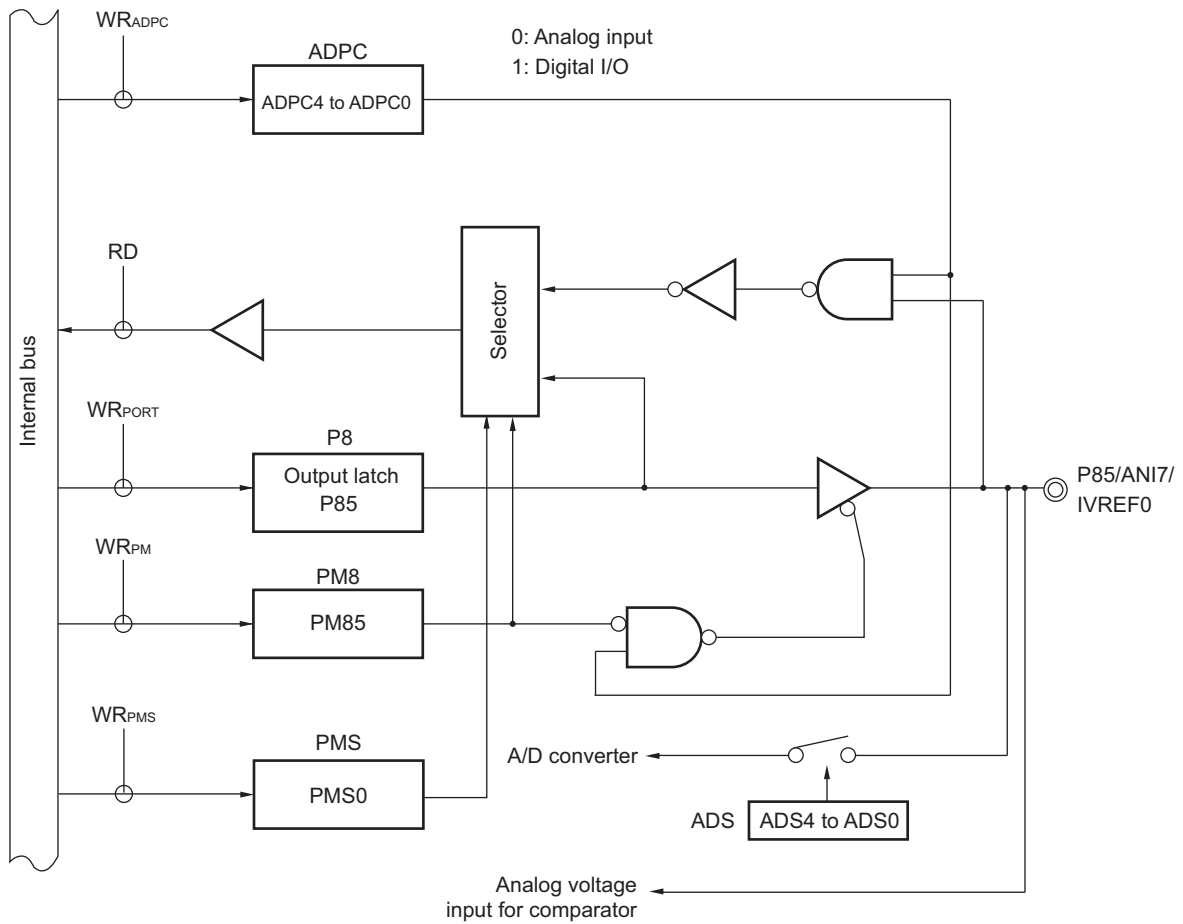
- P8: Port register 8
- PM8: Port mode register 8
- PMS: Port mode select register
- ADPC: A/D port configuration register
- ADS: Analog input channel specification register
- RD: Read signal
- WR_{xx}: Write signal

Figure 4-65. Block Diagram of P84



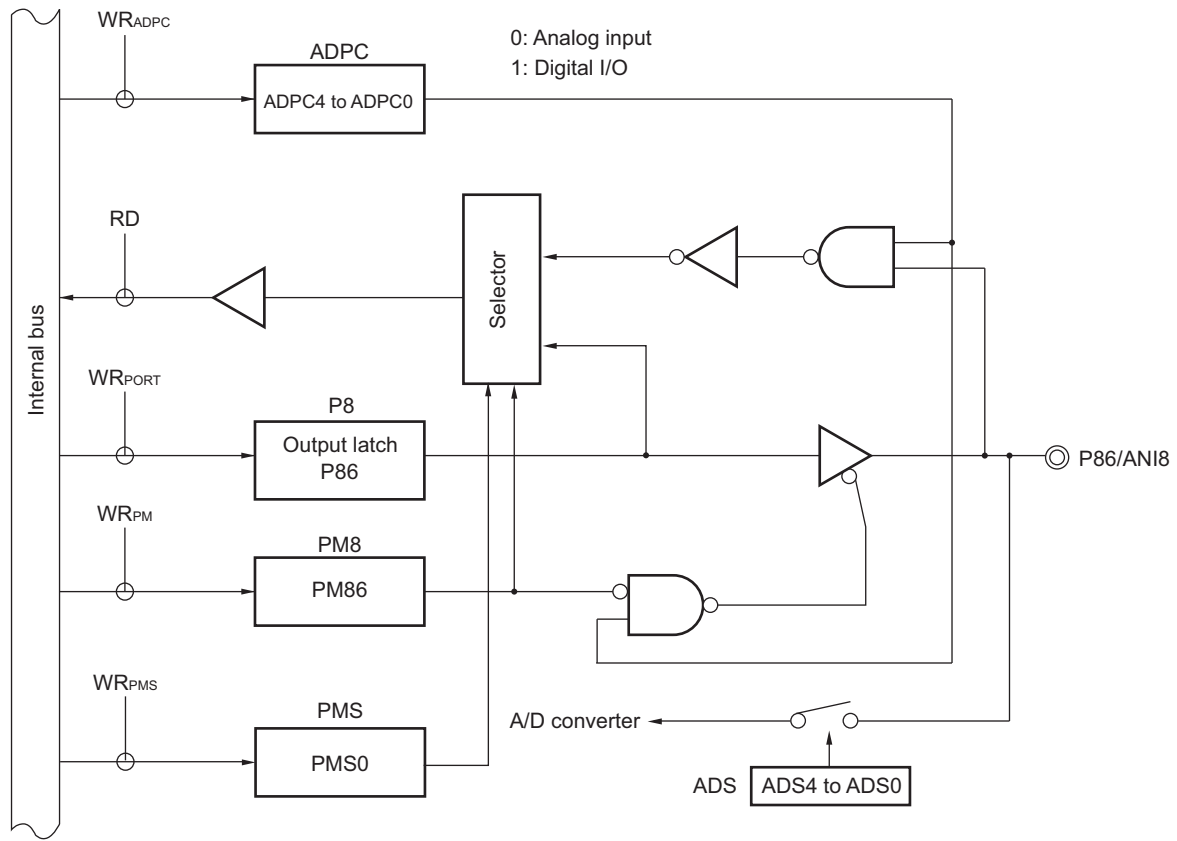
- P8: Port register 8
- PM8: Port mode register 8
- PMS: Port mode select register
- ADPC: A/D port configuration register
- ADS: Analog input channel specification register
- RD: Read signal
- WRxx: Write signal

Figure 4-66. Block Diagram of P85



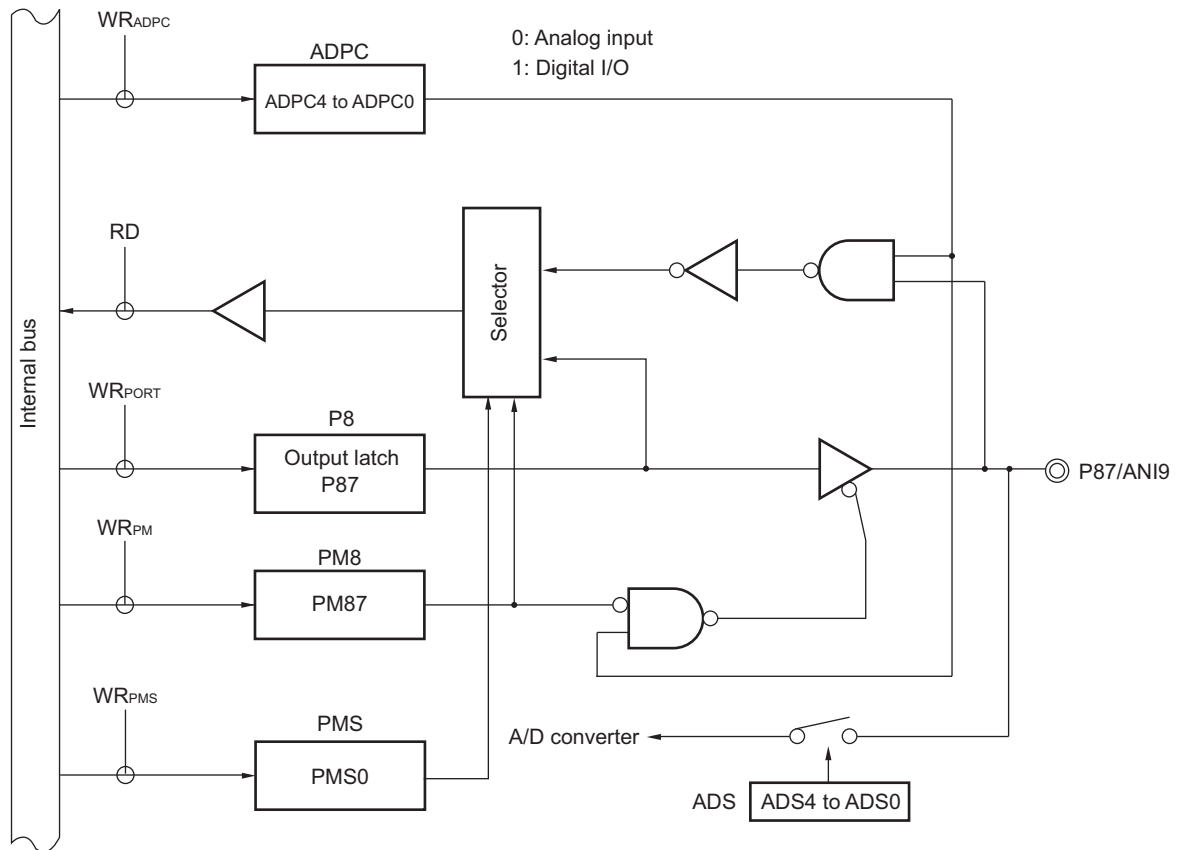
- P8: Port register 8
- PM8: Port mode register 8
- PMS: Port mode select register
- ADPC: A/D port configuration register
- ADS: Analog input channel specification register
- RD: Read signal
- WR_{xx}: Write signal

Figure 4-67. Block Diagram of P86



- P8: Port register 8
- PM8: Port mode register 8
- PMS: Port mode select register
- ADPC: A/D port configuration register
- ADS: Analog input channel specification register
- RD: Read signal
- WR_{xx}: Write signal

Figure 4-68. Block Diagram of P87



- P8: Port register 8
- PM8: Port mode register 8
- PMS: Port mode select register
- ADPC: A/D port configuration register
- ADS: Analog input channel specification register
- RD: Read signal
- WR_{xx}: Write signal

4.2.10 Port 9

Port 9 is an I/O port with an output latch. Port 9 can be set to the input mode or output mode in 1-bit units using port mode register 9 (PM9).

This port can also be used for A/D converter analog input.

To use P90/ANI10 to P97/ANI17 as digital I/O pins, set them in the digital I/O mode by using the A/D port configuration register (ADPC) and in the input mode or the output mode by using the PM9 register. Use these pins starting from the upper bit.

To use P90/ANI10 to P97/ANI17 as analog input pins, set them in the analog input mode by using the A/D port configuration register (ADPC) and in the input mode by using the PM9 register. Use these pins starting from the lower bit.

Reset signal generation sets this port to analog input mode.

Table 4-17. Settings of Registers When Using Port 9

Pin Name		PM9x	Alternate Function Setting	Remark
Name	I/O			
P90	Input	1	×	
	Output	0	×	
P91	Input	1	×	
	Output	0	×	
P92	Input	1	×	
	Output	0	×	
P93	Input	1	×	
	Output	0	×	
P94	Input	1	×	
	Output	0	×	
P95	Input	1	×	
	Output	0	×	
P96	Input	1	×	
	Output	0	×	
P97	Input	1	×	
	Output	0	×	

Remark ×: Don't care

PM9x: Port mode register 9

Table 4-18. Settings of Registers When Using Port 9

Pin Name		PM9x	ADPC	Alternate Function Setting	Remark
Name	I/O				
P9n	Input	1	0C to n+0CH	—	To use P9n as a port, use these pins from the upper bit.
	Output	0	0C to n+0CH		

Remarks 1. PM9x: Port mode register 9

ADPC: A/D port configuration register

2. n = 0 to 7

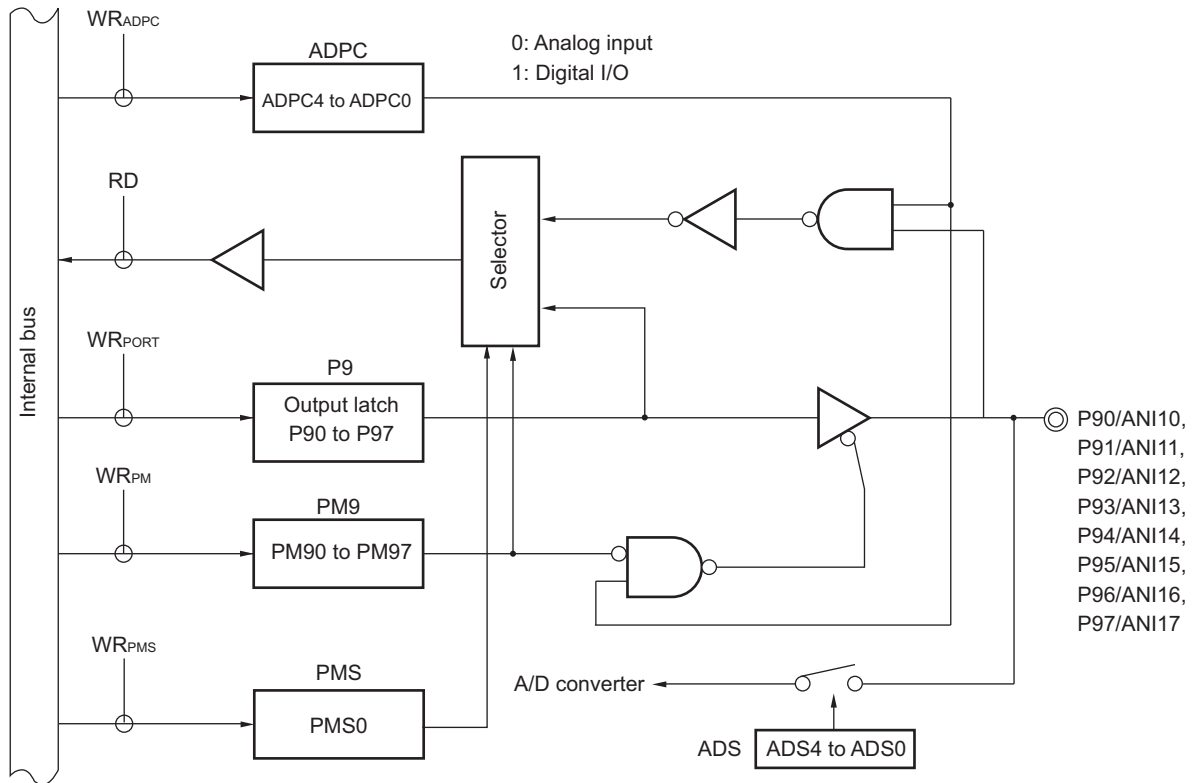
Table 4-19. Setting Functions of P90/ANI10 to P97/ANI17 Pins

ADPC Register	PM9 Register	ADS Register	P90/ANI10 to P97/ANI17 Pins
Digital I/O selection	Input mode	—	Digital input
	Output mode	—	Digital output
Analog input selection	Input mode	Selects ANI.	Analog input (to be converted)
		Does not select ANI.	Analog input (not to be converted)
	Output mode	Selects ANI.	Setting prohibited
		Does not select ANI.	

Reset signal generation sets P90/ANI10 to P97/ANI17 to analog input mode.

Figure 4-69 shows a block diagram of port 9 for 144-pin products.

Figure 4-69. Block Diagram of P90 to P97



- P9: Port register 9
- PM9: Port mode register 9
- PMS: Port mode select register
- ADPC: A/D port configuration register
- ADS: Analog input channel specification register
- RD: Read signal
- WRxx: Write signal

4.2.11 Port 10

Port 10 is an I/O port with an output latch. Port 10 can be set to the input mode or output mode in 1-bit units using port mode register 10 (PM10).

When the P106 and P107 pins are used as an input port, use of an on-chip pull-up resistor can be specified in 1-bit units by pull-up resistor option register 10 (PU10). For the P107 pin input, the threshold of the input buffer can be specified in 1-bit units using the port input threshold control register 10 (PITHL10).

This port can also be used for A/D converter analog input and LIN serial data I/O.

To use P100/ANI18 to P105/ANI23 as digital I/O pins, set them in the digital I/O mode by using the A/D port configuration register (ADPC) and in the input mode or the output mode by using the PM10 register. Use these pins starting from the upper bit.

Reset signal generation sets this port to input mode.

To use P100/ANI18 to P105/ANI23 as analog input pins, set them in the analog input mode by using the A/D port configuration register (ADPC) and in the input mode by using the PM10 register. Use these pins starting from the lower bit.

Reset signal generation sets this port to analog input mode.

Table 4-20. Settings of Registers When Using Port 10

Pin Name		PM10x	PITHL10x	Alternate Function Setting ^{Note 2}	Remark
Name	I/O				
P100 ^{Note 3}	Input	1	—	×	
	Output	0	—	×	
P101 ^{Note 3}	Input	1	—	×	
	Output	0	—	×	
P102 ^{Note 3}	Input	1	—	×	
	Output	0	—	×	
P103 ^{Note 3}	Input	1	—	×	
	Output	0	—	×	
P104 ^{Note 3}	Input	1	—	×	
	Output	0	—	×	
P105 ^{Note 3}	Input	1	—	×	
	Output	0	—	×	
P106	Input	1	—	×	
	Output	0	—	(LTXD1 output = 1) ^{Note 1}	
P107	Input	1	0	×	CMOS input (Schmitt1 input)
			1	×	CMOS input (Schmitt3 input)
	Output	0	×	×	

- Notes**
1. When a pin sharing the serial data output function of the LIN is to be used as a general-purpose port pin, operation of the corresponding LIN must be stopped.
 2. Functions in parentheses can be assigned via settings in the peripheral I/O redirection register 4 (PIOR4).
 3. These are the settings of registers in the case where setting of the A/D port configuration register (ADPC) is to select "D" (digital I/O) for the target pin. See Table 4-21 when using this pin as an analog input.

Remark

- ×: Don't care
- PM10x: Port mode register 10
- PITHL10x: Port input threshold control register 10

Table 4-21. Settings of Registers When Using Pins of Port 10 as Analog Inputs

Pin Name		PM10x	ADPC	Alternate Function Setting	Remark
Name	I/O				
P10n	Input	1	14 to n + 14H (n = 0 to 4), 00H (n = 5)	—	To use P10n as an analog input, use these pins from the lower bit.

Remarks 1. PM10x: Port mode register 9

ADPC: A/D port configuration register

2. n = 0 to 5

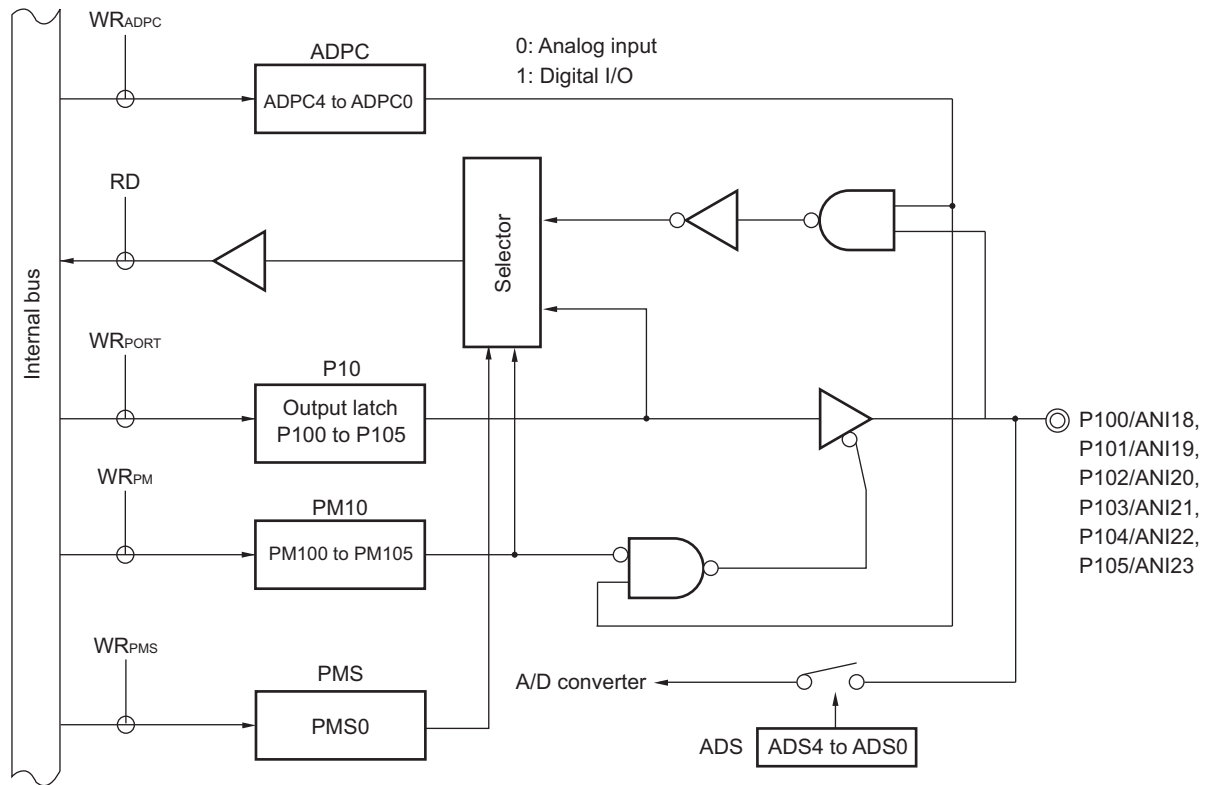
Table 4-22. Setting Functions of P100/ANI18 to P105/ANI23 Pins

ADPC Register	PM10 Register	ADS Register	P100/ANI18 to P105/ANI23 Pins
Digital I/O selection	Input mode	—	Digital input
	Output mode	—	Digital output
Analog input selection	Input mode	Selects ANI.	Analog input (to be converted)
		Does not select ANI.	Analog input (not to be converted)
	Output mode	Selects ANI.	Setting prohibited
		Does not select ANI.	

Reset signal generation sets P100/ANI18 to P105/ANI23 to analog input mode.

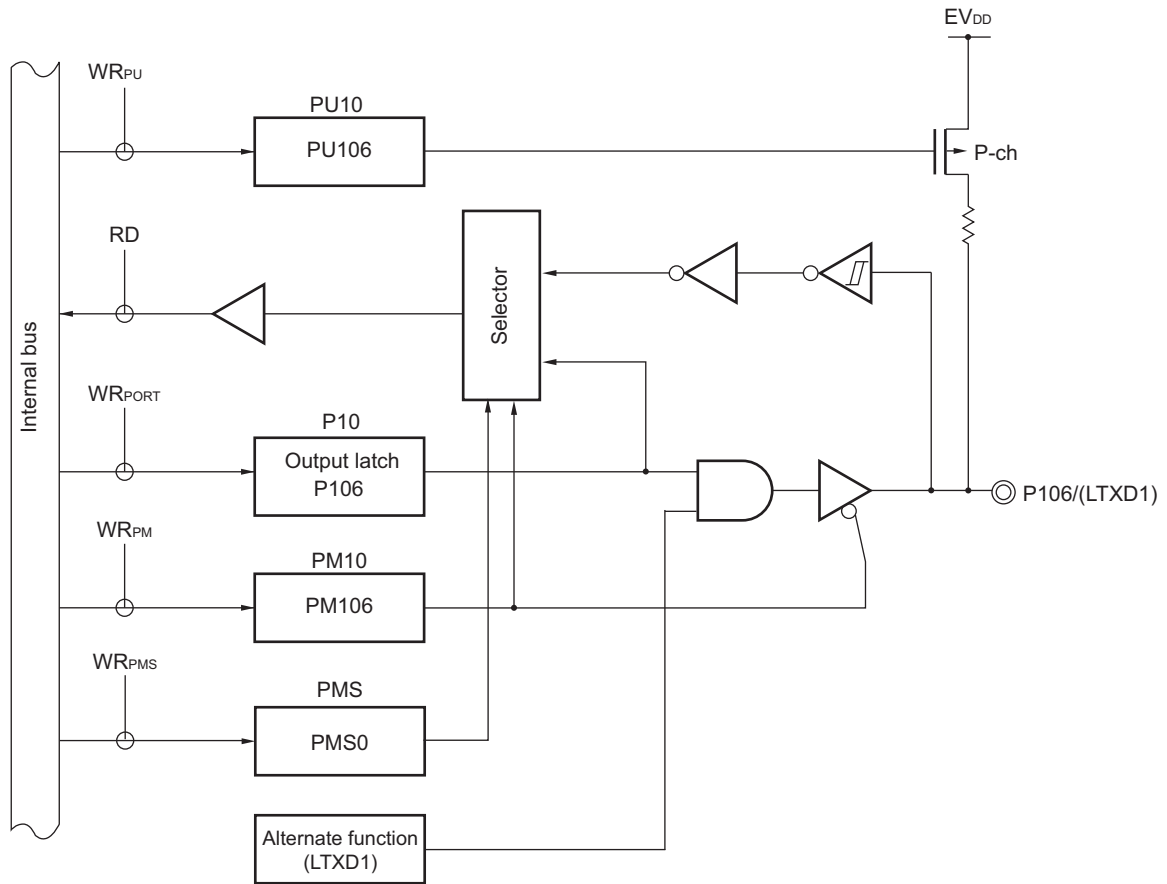
Figures 4-70 to 4-72 show block diagrams of port 10 for 144-pin products.

Figure 4-70. Block Diagram of P100 to P105



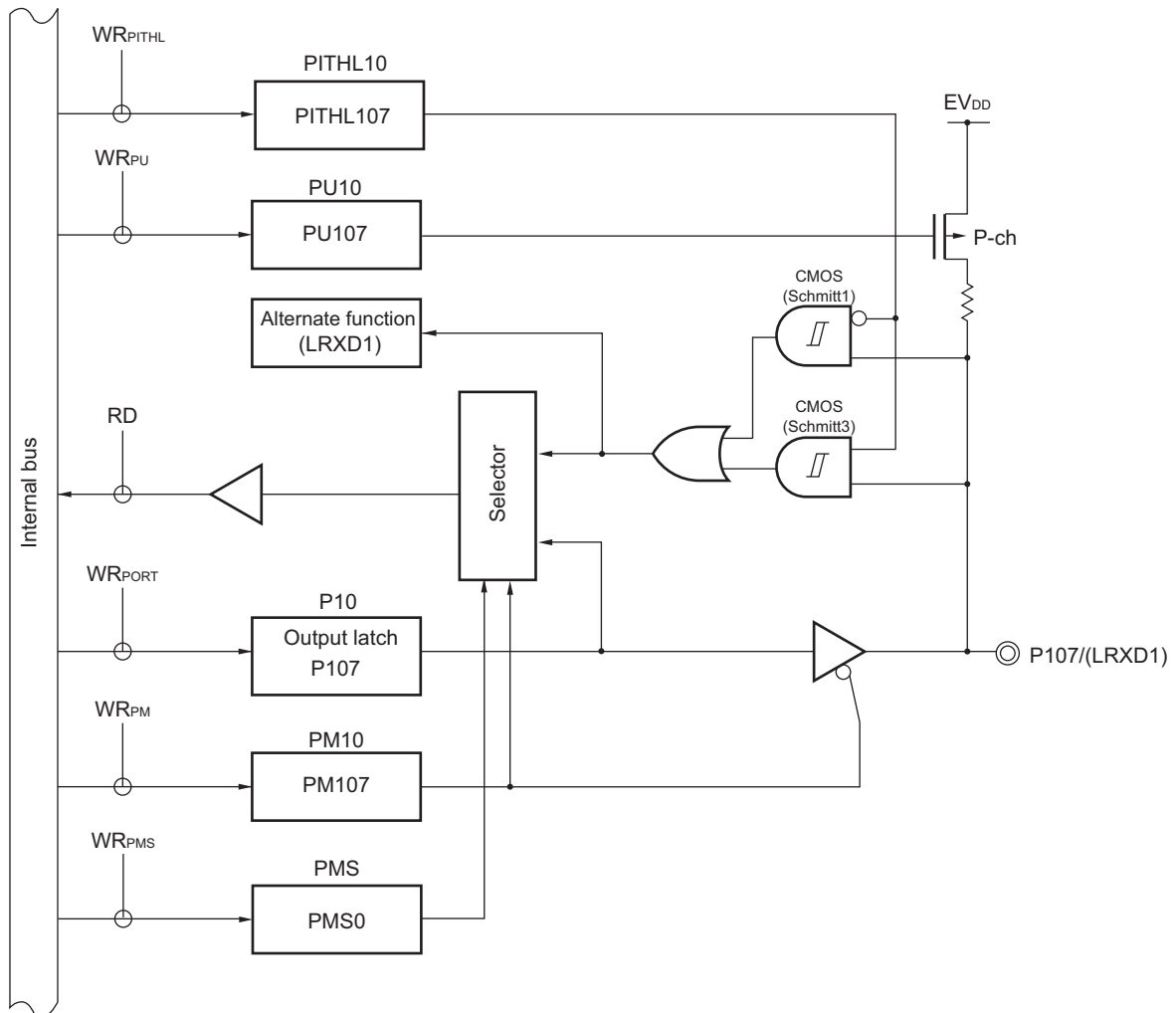
- P10: Port register 10
- PM10: Port mode register 10
- PMS: Port mode select register
- ADPC: A/D port configuration register
- ADS: Analog input channel specification register
- RD: Read signal
- WR_{xx}: Write signal

Figure 4-71. Block Diagram of P106



- P10: Port register 10
- PM10: Port mode register 10
- PMS: Port mode select register
- PU10: Pull-up resistor option register 10
- RD: Read signal
- WR_{xx}: Write signal

Figure 4-72. Block Diagram of P107



- P10: Port register 10
- PM10: Port mode register 10
- PMS: Port mode select register
- PITHL10: Port input threshold control register 10
- PU10: Pull-up resistor option register 10
- RD: Read signal
- WR_{xx}: Write signal

4.2.12 Port 11

Port 11 is an I/O port with an output latch. Port 11 can be set to the input mode or output mode in 1-bit units using port mode register 11 (PM11). When is used as an input port, use of an on-chip pull-up resistor can be specified in 1-bit units by pull-up resistor option register 11 (PU11).

This port can also be used for timer I/O.

Reset signal generation sets input mode.

Table 4-23. Settings of Registers When Using Port 11

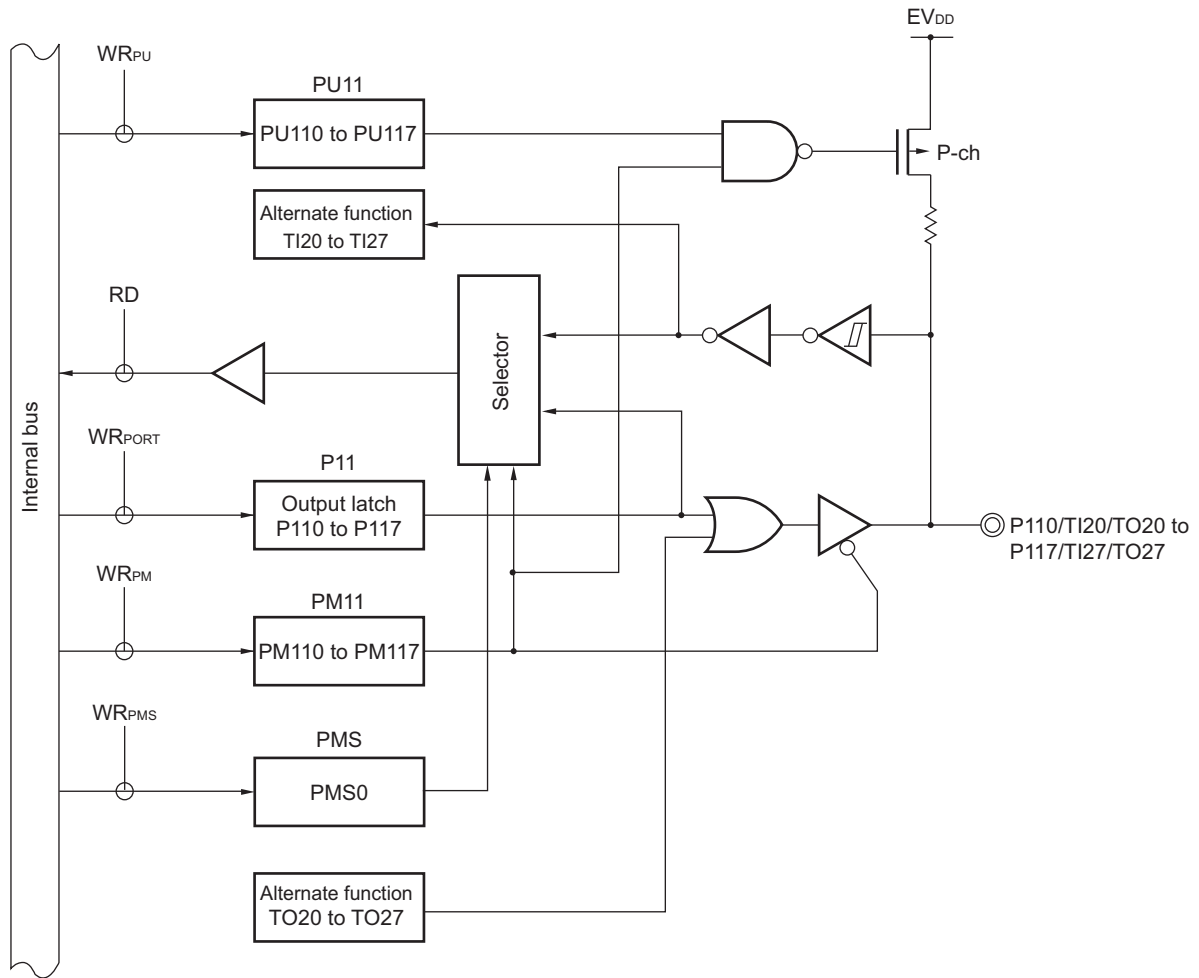
Pin Name		PM11x	Alternate Function Setting	Remark
Name	I/O			
P110 to P117	Input	1	×	
	Output	0	TO20 to TO27 output = 0 Note	

Note When a pin sharing a timer output function of the timer array unit is to be used as a general-purpose port pin, the TOMn bit of the timer output register m (TOM) and the TOEmn bit of the timer output enable register m (TOEm) corresponding to the target unit and channel must have the same setting as in the initial state (m = 0, 1, 2, n = 0 to 7).

Remark ×: Don't care
PM11x: Port mode register 11

Figure 4-73 shows a block diagram of port 11 for 144-pin products.

Figure 4-73. Block Diagram of P110 to P117



- P11: Port register 11
- PU11: Pull-up resistor option register 11
- PM11: Port mode register 11
- PMS: Port mode select register
- RD: Read signal
- WR_{xx}: Write signal

4.2.13 Port 12

P120 and P125 to P127 are I/O ports with an output latch. Port 12 can be set to the input mode or output mode in 1-bit units using port mode register 12 (PM12). When the P120 and P125 to P127 pins are used as an input port, use of an on-chip pull-up resistor can be specified by pull-up resistor option register 12 (PU12).

Input to the P125 pin can be specified through a normal input buffer or a TTL input buffer in 1-bit units using port input mode register 12 (PIM12). For the P125 pin input, the threshold of the input buffer can be specified in 1-bit units using the port input threshold control register 12 (PITHL12).

Output from the P120 pin can be specified as N-ch open-drain output (EV_{DD} tolerance) in 1-bit units using port output mode register 12 (POM12).

This port can also be used for A/D converter analog input, resonator connection for main system clock, resonator connection for subsystem clock, external clock input for main system clock, external clock input for subsystem clock, timer I/O, serial interface (CSI) data output, slave select input, external interrupt request input, and SNOOZE status output.

When P120/ANI25 to P125/ANI24 are used to digital inputs/outputs, set them to digital inputs/outputs by port mode control register 12 (PMC12) (can be specified in 1-bit units).

When P120/ANI25 to P125/ANI24 are used to analog inputs, set them to analog inputs by port mode control register 12 (PMC12), and to input mode by PM12 register (can be specified in 1-bit units).

Reset signal generation sets P120 and P125 to analog input mode and P121 to P124, P126, and P127 to input mode.

Table 4-24. Settings of Registers When Using Port 12 (1/2)

Pin Name		PM12x	PIM12x	POM12x	PMC12x	PITHL12x	Alternate Function Setting ^{Note 5}	Remark
Name	I/O							
P120	Input	1	–	x	0	–	x	
	Output	0	–	0	0	–	TRDIOD0 output = 0 ^{Note 1}	CMOS output
		0	–	1	0	–	TO07 output = 0 ^{Note 2} SO01 output = 1 ^{Note 3}	N-ch O.D output
P121	Input	–	–	–	–	–	OSCSEL bit of CMC register = 0 or EXCLK bit = 1	
P122	Input	–	–	–	–	–	OSCSEL bit of CMC register = 0	
P123	Input	–	–	–	–	–	OSCSELS bit of CMC register = 0 or EXCLKS bit = 1 or SELLOSC bit of CKSEL register = 1	
P124	Input	–	–	–	–	–	OSCSELS bit of CMC register = 0 or SELLOSC bit of CKSEL register = 1	
P125	Input	1	0	–	0	0	x	CMOS input (Schmitt1 input)
						1		CMOS input (Schmitt3 input)
		1	1	–	0	x	x	TTL input
	Output	0	x	–	0	x	TRDIOB0 output = 0 ^{Note 1} TO03 output = 0 ^{Note 2} SNZOUT1 output = 0 ^{Note 4}	

(Notes, Caution, and Remark are listed on the next page.)

Table 4-24. Settings of Registers When Using Port 12 (2/2)

Pin Name		PM12x	PIM12x	POM12x	PMC12x	PITHL12x	Alternate Function Setting ^{Note 5}	Remark
Name	I/O							
P126	Input	1	–	–	–	–	x	
	Output	0	–	–	–	–	(TO01 output = 0) ^{Note2}	
P127	Input	1	–	–	–	–	x	
	Output	0	–	–	–	–	(TO03 output = 0) ^{Note2}	

- Notes**
1. When a pin sharing a timer RD function is to be used as a general-purpose port pin, the target bit for TRDIOij pin output control in the timer RD output master enable register 1 (TRDOER1) must have the same setting as its initial value (i = A, B, C, D, j = 0, 1)
 2. When a pin sharing a timer output function of the timer array unit is to be used as a general-purpose port pin, the TOmn bit of the timer output register m (TOM) and the TOEmn bit of the timer output enable register m (TOEm) corresponding to the target unit and channel must have the same setting as in the initial state (m = 0, 1, 2, n = 0 to 7).
 3. When a pin sharing the serial array unit function is to be used as a general-purpose port pin, the SOMn bit of the serial output register m (SOM), the SOEmn bit of the serial output enable register m (SOEm), and the SEMn bit of the serial channel enable status register m (SEm) corresponding to the target unit and channel must have the same setting as its initial value (m = 0, 1, 2, n = 0, 1).
 4. When a pin sharing the SNOOZE status output function is to be used as a general-purpose port pin, the OUTEN0 to OUTEN7 bits of the SNOOZE status output control registers 0, 1, 2, 3 (PSNZCNT0, 1, 2, 3) must have the same setting as its initial value.
 5. Functions in parentheses can be assigned via settings in the peripheral I/O redirection register 1 (PIOR1).

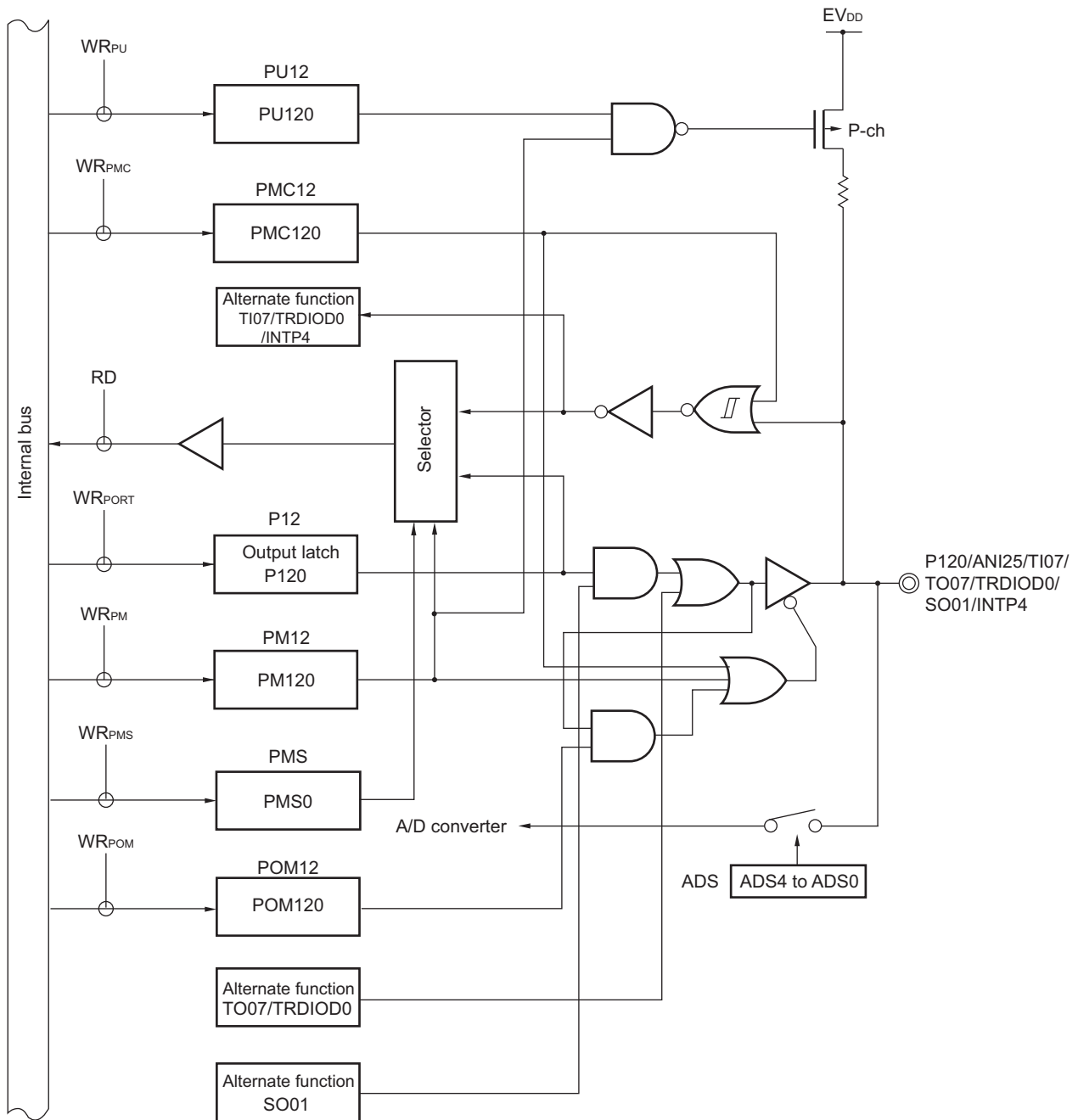
Caution The function setting on P121 to P124 is available only once after the reset release. The port once set for connection to a resonator or an oscillator cannot be used as an input port unless the reset is performed.

Remark

- x: Don't care
- PM12x: Port mode register 12
- PIM12x: Port input mode register 12
- POM12x: Port output mode register 12
- PMC12x: Port mode control register 12
- PITHL12x: Port input threshold control register 12

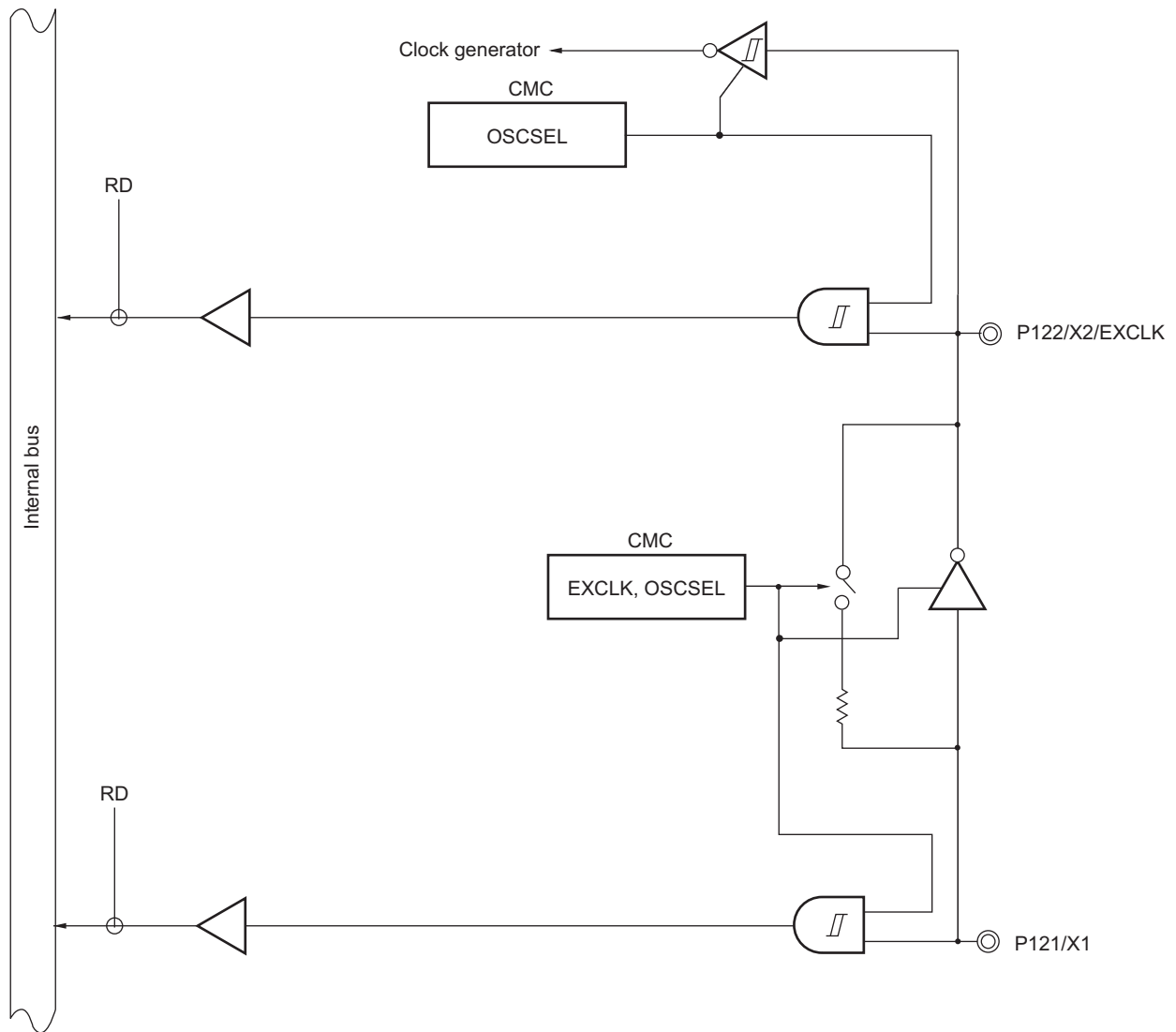
Figures 4-74 to 4-78 show block diagrams of port 12 for 144-pin products.

Figure 4-74. Block Diagram of P120



- P12: Port register 12
- PU12: Pull-up resistor option register 12
- PM12: Port mode register 12
- POM12: Port output mode register 12
- PMC12: Port mode control register 12
- PMS: Port mode select register
- ADS: Analog input channel specification register
- RD: Read signal
- WRxx: Write signal

Figure 4-75. Block Diagram of P121 and P122



CMC: Clock operation mode control register
 RD: Read signal

Figure 4-76. Block Diagram of P123 and P124

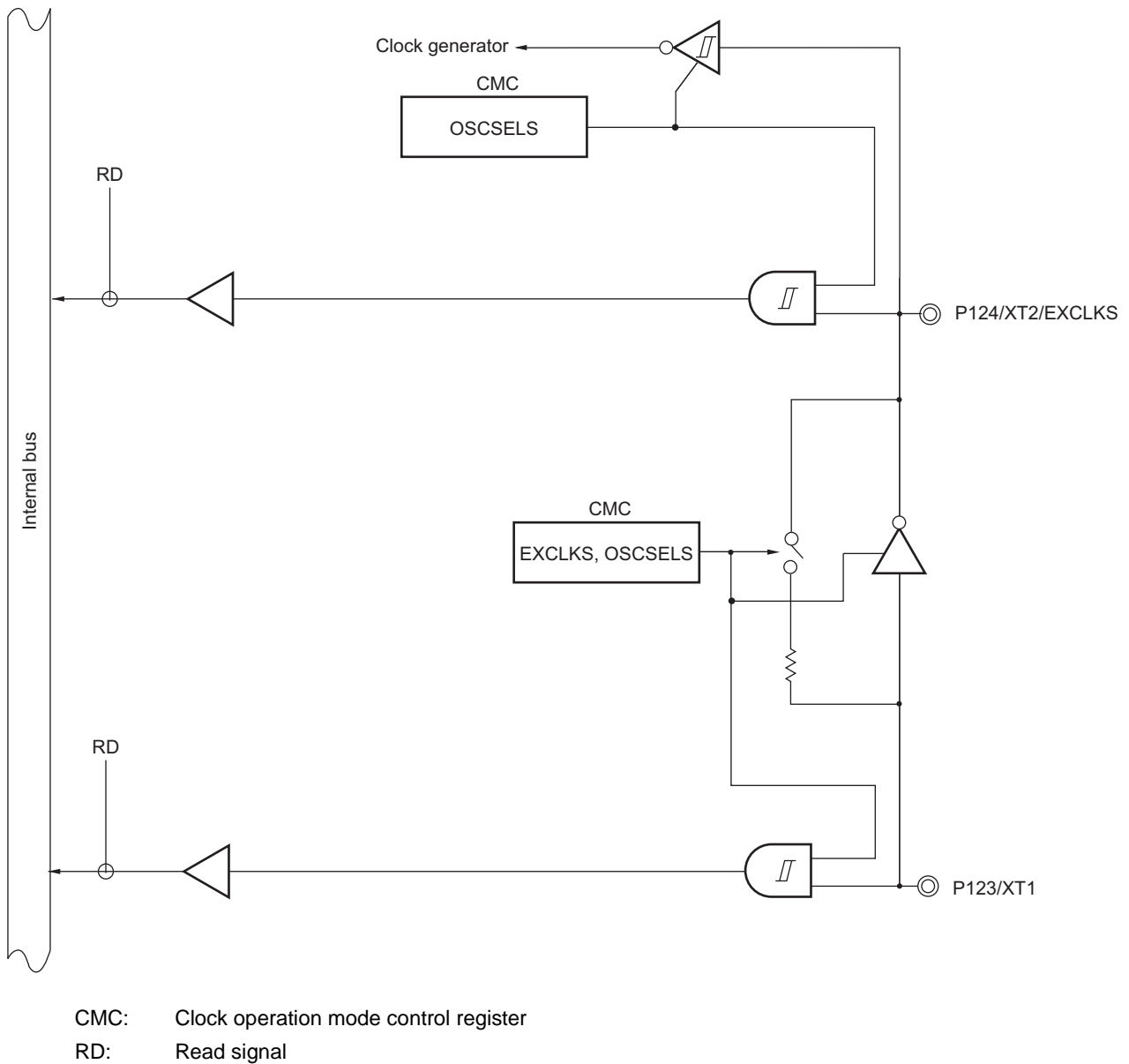
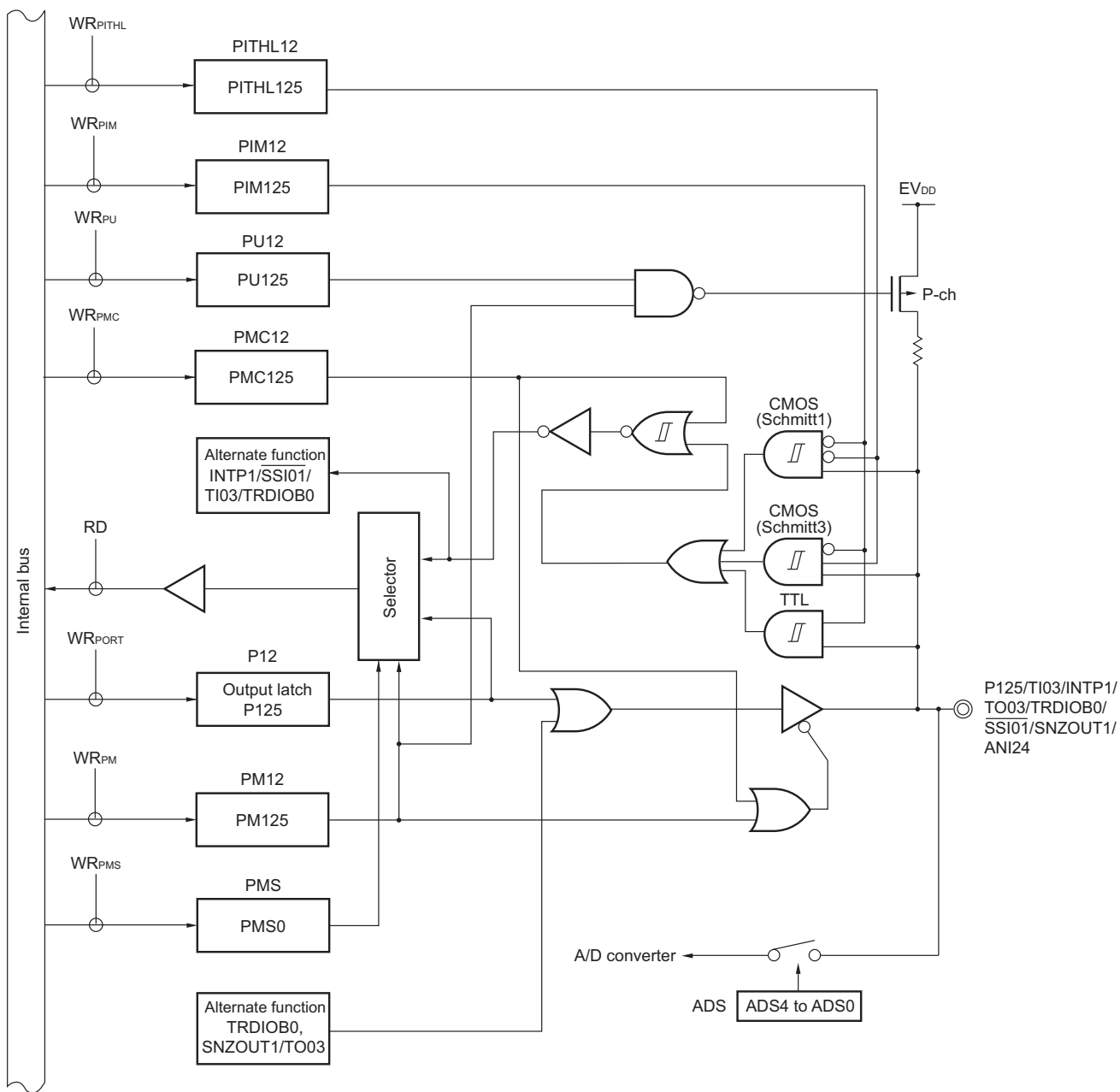
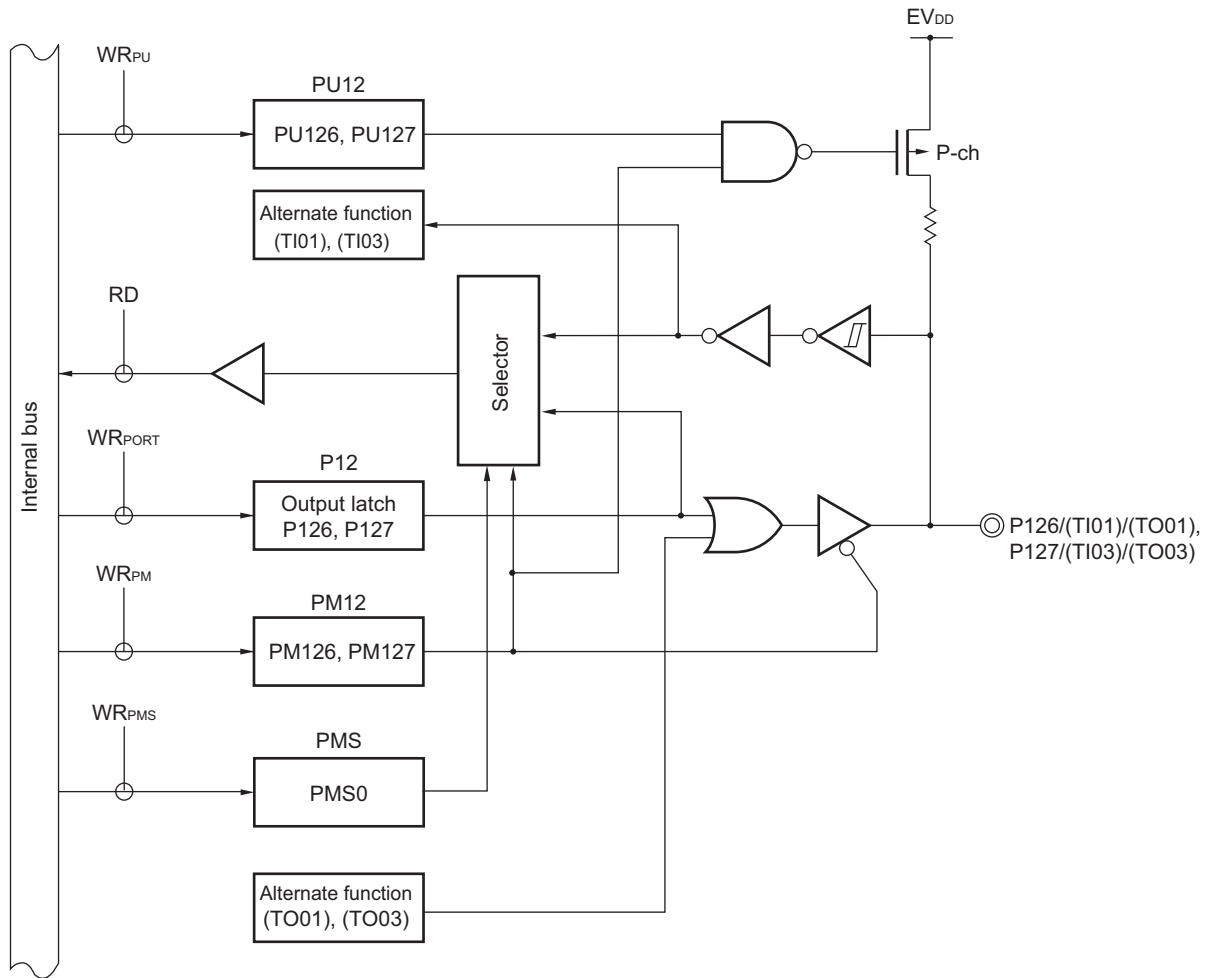


Figure 4-77. Block Diagram of P125



- P12: Port register 12
- PU12: Pull-up resistor option register 12
- PM12: Port mode register 12
- PIM12: Port input mode register 12
- PMC12: Port mode control register 12
- PMS: Port mode select register
- PITHL12: Port input threshold control register 12
- ADS: Analog input channel specification register
- RD: Read signal
- WRxx: Write signal

Figure 4-78. Block Diagram of P126 and P127



- P12: Port register 12
- PU12: Pull-up resistor option register 12
- PM12: Port mode register 12
- PMS: Port mode select register
- RD: Read signal
- WRxx: Write signal

4.2.14 Port 13

P131 to P136 are I/O ports with an output latch. Port 13 can be set to the input mode or output mode in 1-bit units using port mode register 13 (PM13). When the P131 to P136 pins are used as an input port, use of an onchip pull-up resistor can be specified by pull-up resistor option register 13 (PU13).

P130 is a 1-bit output-only port with an output latch.

P137 is a 1-bit input-only port.

P130 is fixed to output mode, and P137 is fixed to input mode.

This port can also be used for external interrupt request input and reset output.

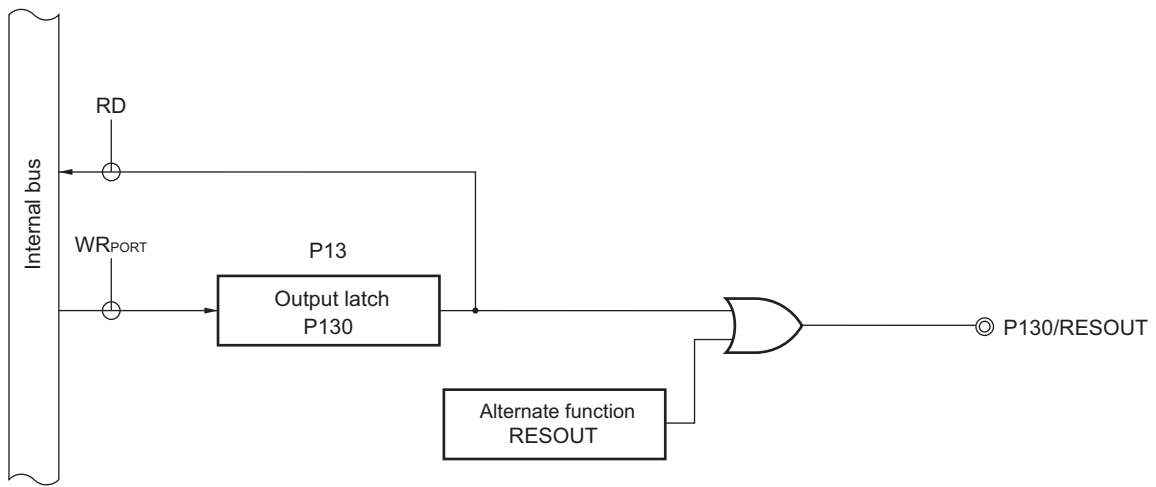
The RESOUT output can be set by an option byte.

Table 4-25. Settings of Registers When Using Port 13

Pin Name		PM13X	Alternate Function Setting	Remark
Name	I/O			
P130	Output	–	RESOUT	
P131 to P136	Input	1	×	
	Output	0	×	
P137	Input	–	×	

Figures 4-79 to 4-82 show block diagrams of port 13 for 144-pin products.

Figure 4-79. Block Diagram of P130



- P13: Port register 13
- RD: Read signal
- WR_{xx}: Write signal

Remark When reset is effected, P130 outputs a low level. If P130 is set to output a high level before reset is effected, the output signal of P130 can be dummy-output as the CPU reset signal.

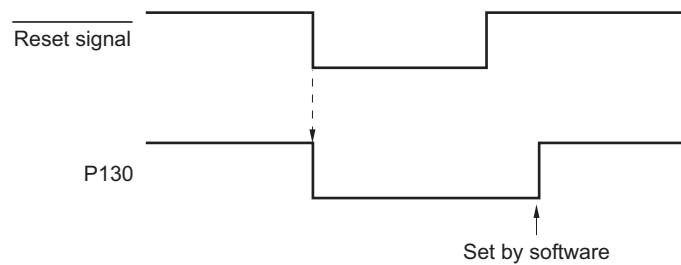
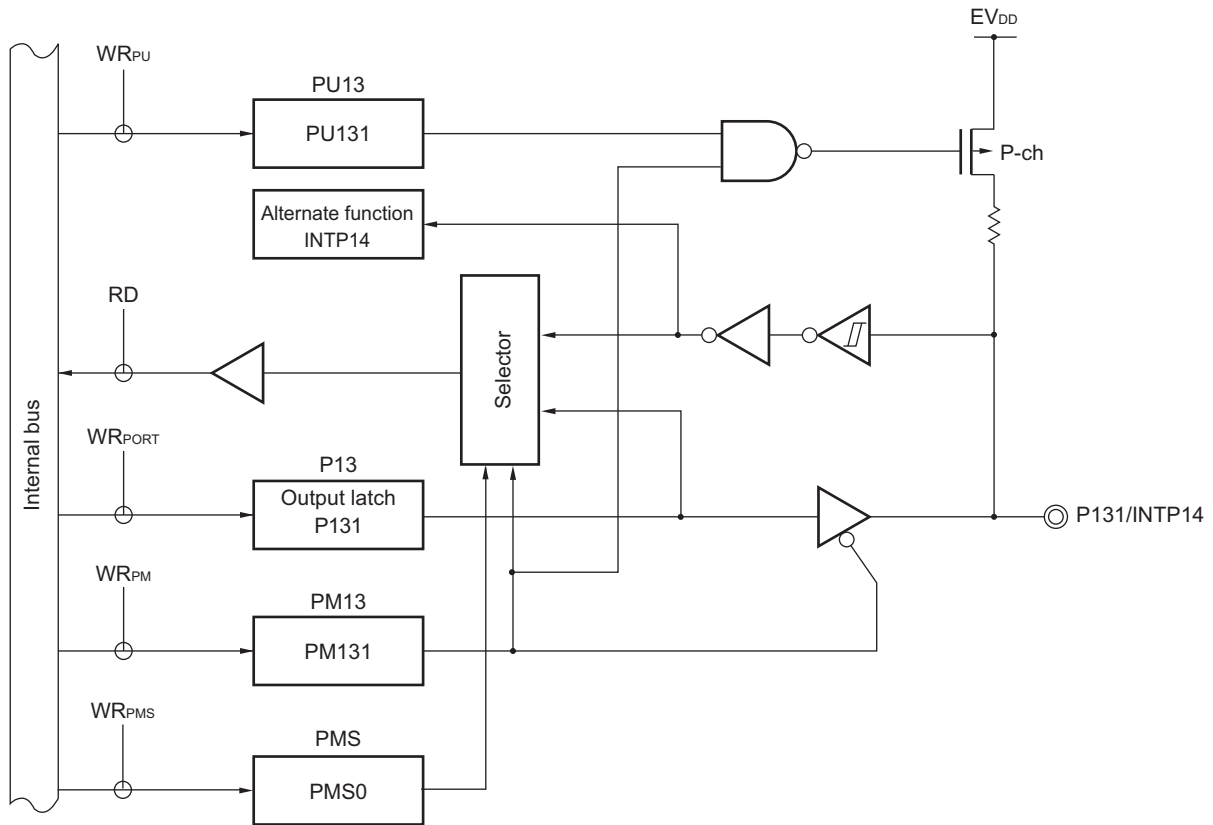
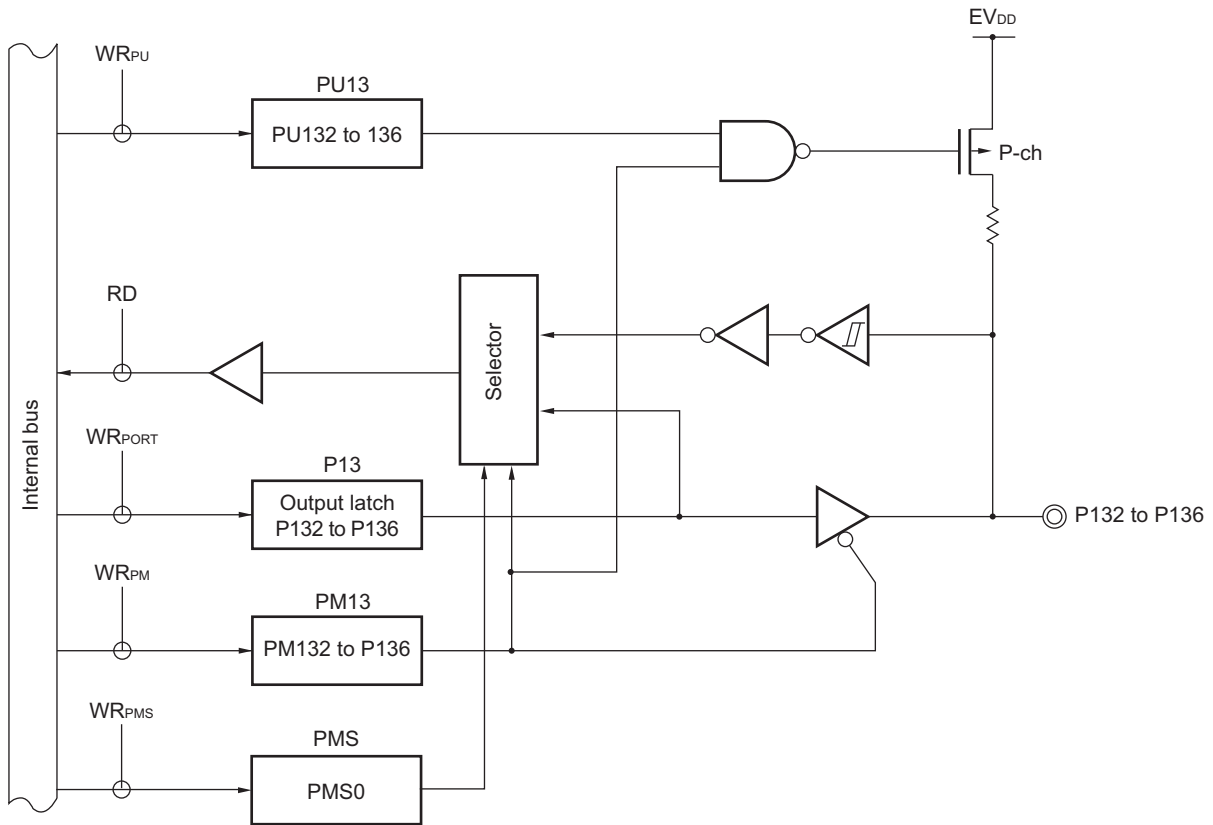


Figure 4-80. Block Diagram of P131



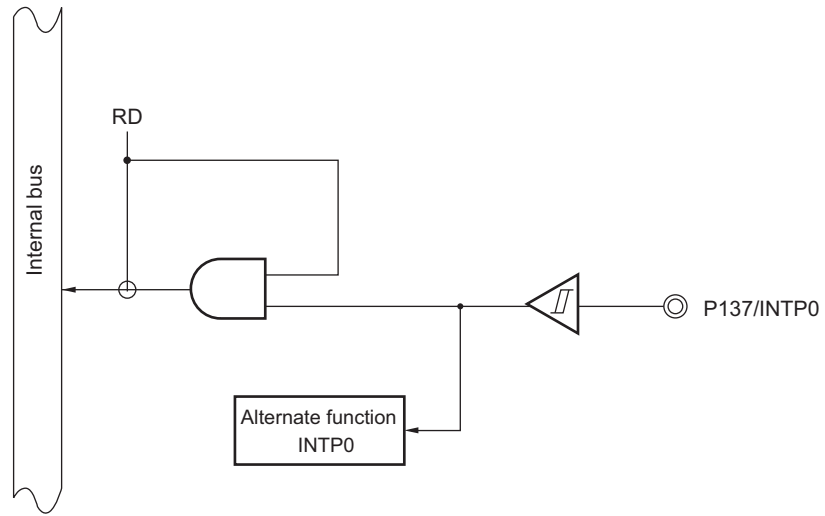
- P13: Port register 13
- PU13: Pull-up resistor option register 13
- PM13: Port mode register 13
- PMS: Port mode select register
- RD: Read signal
- WRxx: Write signal

Figure 4-81. Block Diagram of P132 to P136



- P13: Port register 13
- PU13: Pull-up resistor option register 13
- PM13: Port mode register 13
- PMS: Port mode select register
- RD: Read signal
- WR_{xx}: Write signal

Figure 4-82. Block Diagram of P137



RD: Read signal

4.2.15 Port 14

Port 14 is an I/O port with an output latch. Port 14 can be set to the input mode or output mode in 1-bit units using port mode register 14 (PM14). When the used as an input port, use of an on-chip pull-up resistor can be specified in 1-bit units by pull-up resistor option register 14 (PU14).

This port can also be used for clock/buzzer output, and Timer I/O.

Reset signal generation sets input mode.

Table 4-26. Settings of Registers When Using Port 14

Pin Name		PM14x	Alternate Function Setting	Remark
Name	I/O			
P140	Input	1	×	
	Output	0	PCLBUZ0 output = 0 Note 1 (TO20 output = 0) Note 2	
P141- P147	Input	1	×	
	Output	0	(TO21 to TO27 output = 0) Note 2	

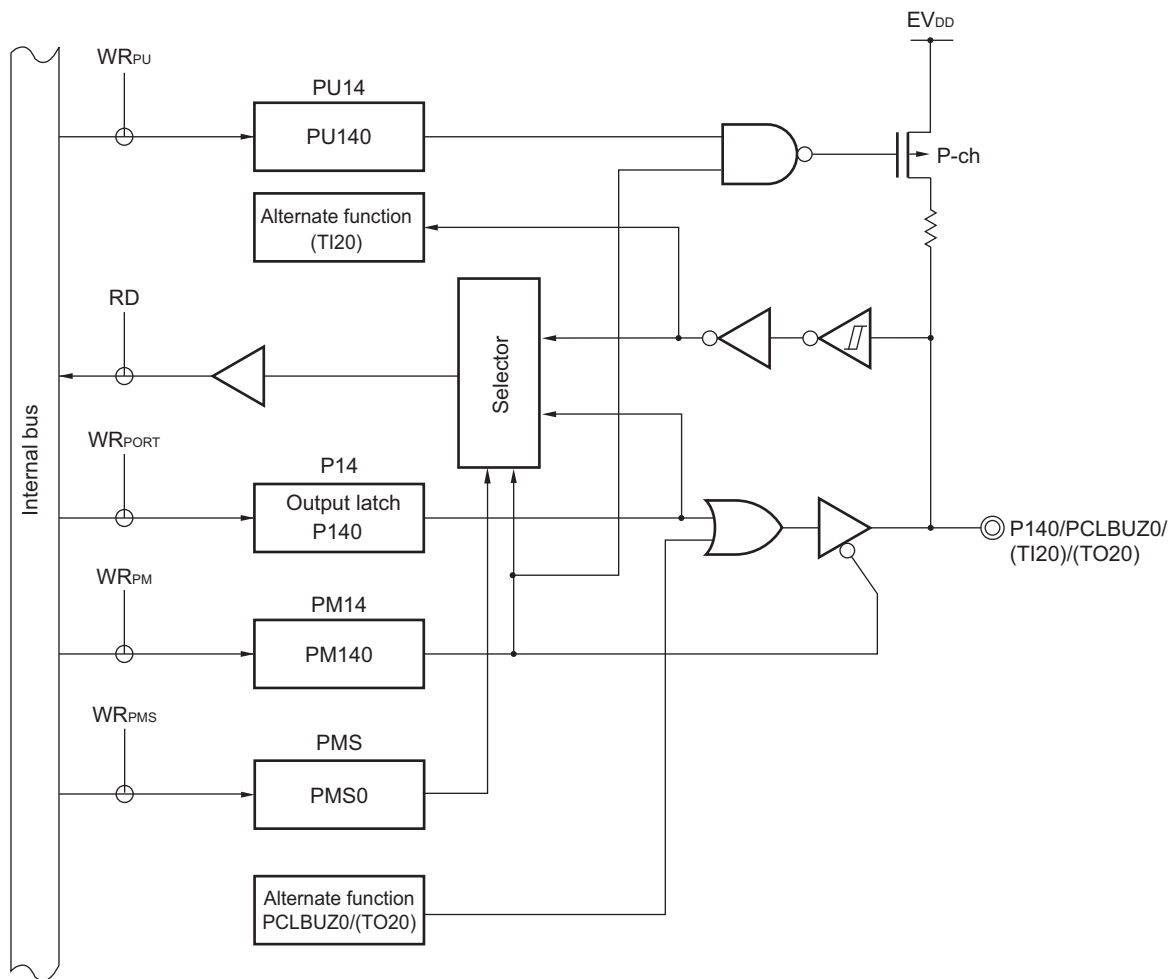
- Notes**
- To use a pin multiplexed with the clock/buzzer output function as a general-purpose port, set the PCLOE0 bit in clock output select register 0 (CKS0) to the default value.
 - When a pin sharing a timer output function of the timer array unit is to be used as a general-purpose port pin, the TOMn bit of the timer output register m (TOM) and the TOEmn bit of the timer output enable register m (TOEm) corresponding to the target unit and channel must have the same setting as in the initial state (m = 0, 1, 2, n = 0 to 7).

Remark

- ×: Don't care
- PM14x: Port mode register 14

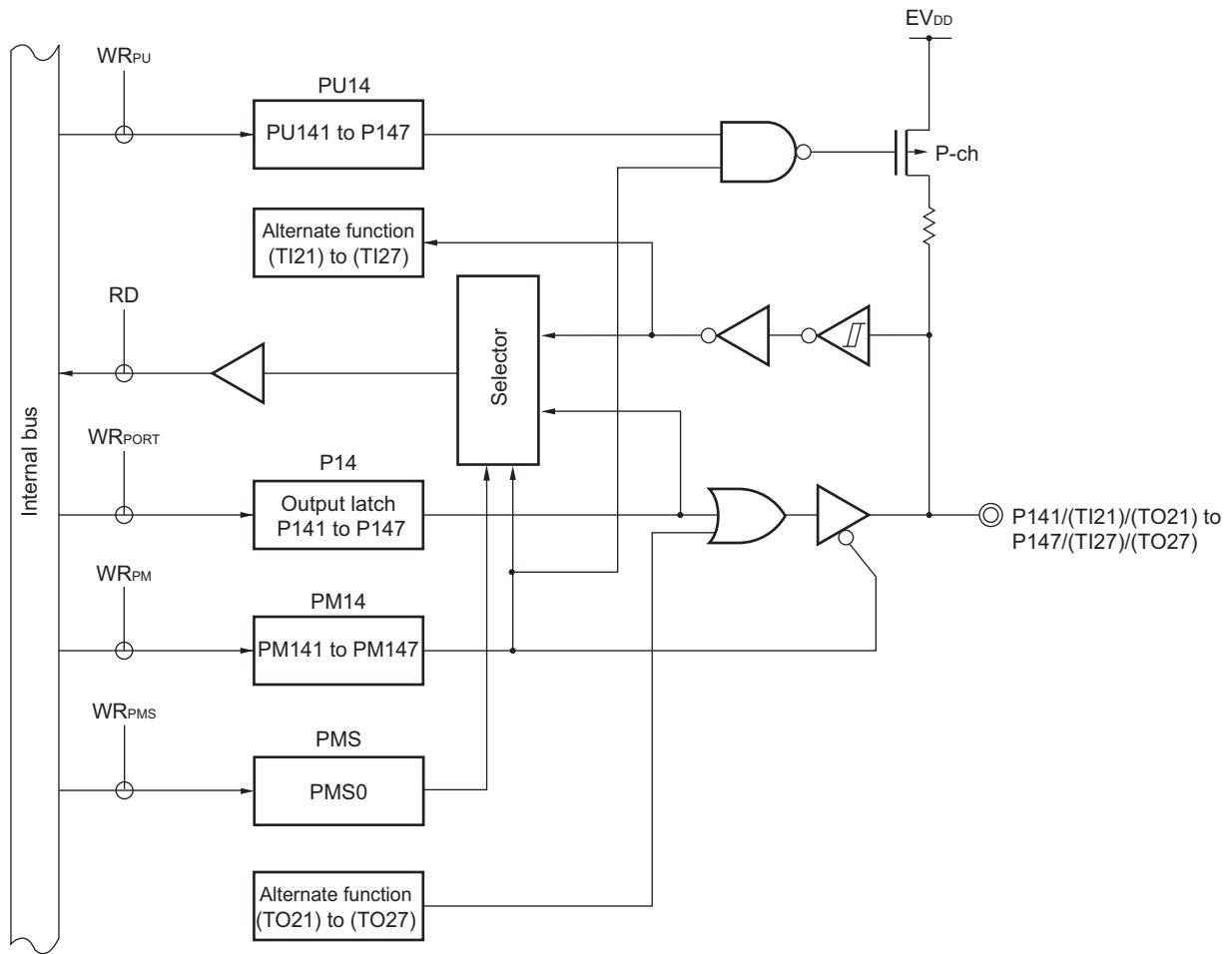
Figure 4-83 and Figure 4-84 show a block diagram of port 14 for 144-pin products.

Figure 4-83. Block Diagram of P140



- P14: Port register 14
- PU14: Pull-up resistor option register 14
- PM14: Port mode register 14
- PMS: Port mode select register
- RD: Read signal
- WR_{xx}: Write signal

Figure 4-84. Block Diagram of P141 to P147



- P14: Port register 14
- PU14: Pull-up resistor option register 14
- PM14: Port mode register 14
- PMS: Port mode select register
- RD: Read signal
- WR_{xx}: Write signal

4.2.16 Port 15

Port 15 is an I/O port with an output latch. Port 15 can be set to the input mode or output mode in 1-bit units using port mode register 15 (PM15). When the P150 to P157 pins are used as an input port, use of an on-chip pull-up resistor can be specified in 1-bit units by pull-up resistor option register 15 (PU15).

For the P150, P152, P153, P154, and P156 pin input, the threshold of the input buffer can be specified in 1-bit units using the port input threshold control register 15 (PITHL15).

This port can also be used for data I/O and clock I/O for serial interface (CSI, UART), slave select input, serial data I/O for LIN, and SNOOZE status output.

Reset signal generation sets P150 to P157 to input mode.

Table 4-27. Settings of Registers When Using Port 15

Pin Name		PM15x	PITHL15x	Alternate Function Setting ^{Note 4}	Remark
Name	I/O				
P150	Input	1	0	x	CMOS input (Schmitt1 input)
			1	x	CMOS input (Schmitt3 input)
	Output	0	x	x	
P151	Input	1	–	x	
	Output	0	–	SO21/(SO11) output = 1	
P152	Input	1	0	x	CMOS input (Schmitt1 input)
			1	x	CMOS input (Schmitt3 input)
	Output	0	x	x	
P153	Input	1	0	x	CMOS input (Schmitt1 input)
			1	x	CMOS input (Schmitt3 input)
	Output	0	x	SCK21/(SCK11) output = 1	
P154	Input	1	0	x	CMOS input (Schmitt1 input)
			1	x	CMOS input (Schmitt3 input)
	Output	0	x	(SNZOUT7 output = 0) ^{Note 2}	
P155	Input	1	–	x	
	Output	0	–	LTXD2 output = 1 ^{Note 5} (SNZOUT6 output = 0) ^{Note 2}	
P156	Input	1	0	x	CMOS input (Schmitt1 input)
			1	x	CMOS input (Schmitt3 input)
	Output	0	x	(SNZOUT5 output = 0) ^{Note 2}	
P157	Input	1	–	x	
	Output	0	–	SO20/TXD2 output = 1 ^{Note 1} (SNZOUT4 output = 0) ^{Note 2}	

(Notes and Remark are listed on the next page.)

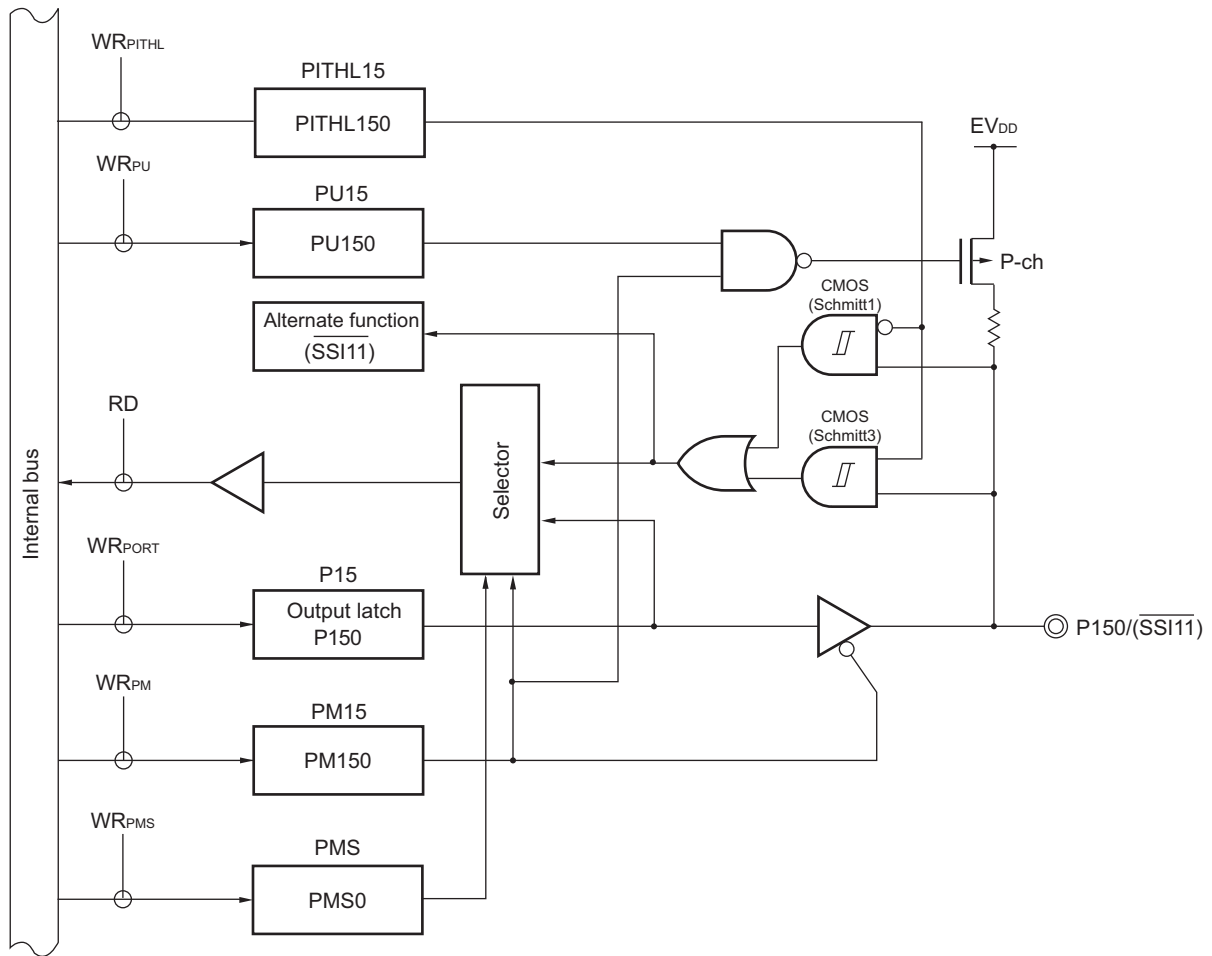
- Notes**
1. When a pin sharing the serial array unit function is to be used as a general-purpose port pin, the SOMn bit of the serial output register m (SOM), the SOEmn bit of the serial output enable register m (SOEm), and the SEMn bit of the serial channel enable status register m (SEm) corresponding to the target unit and channel must have the same setting as its initial value (m = 0, 1, 2, n = 0, 1).
 2. When a pin sharing the SNOOZE status output function is to be used as a general-purpose port pin, the OUTEN0 to OUTEN7 bits of the SNOOZE status output control registers 0, 1, 2, 3 (PSNZCNT0, 1, 2, 3) must have the same setting as its initial value.
 3. When a pin sharing the serial array unit function is to be used as a general-purpose port pin, the CKOmn bit of the serial output register m (SOM), the SOEmn bit of the serial output enable register m (SOEm), and the SEMn bit of the serial channel enable status register m (SEm) corresponding to the target unit and channel must have the same setting as its initial value (m = 0, 1, 2, n = 0, 1).
 4. Functions in parentheses can be assigned via settings in the peripheral I/O redirection registers 4, 6 (PIOR4, PIOR6).
 5. When a pin sharing the serial data output function of the LIN is to be used as a general-purpose port pin, operation of the corresponding LIN must be stopped.

Remark

×	Don't care
PM15x:	Port mode register 15
PITHL15x:	Port input threshold control register 15

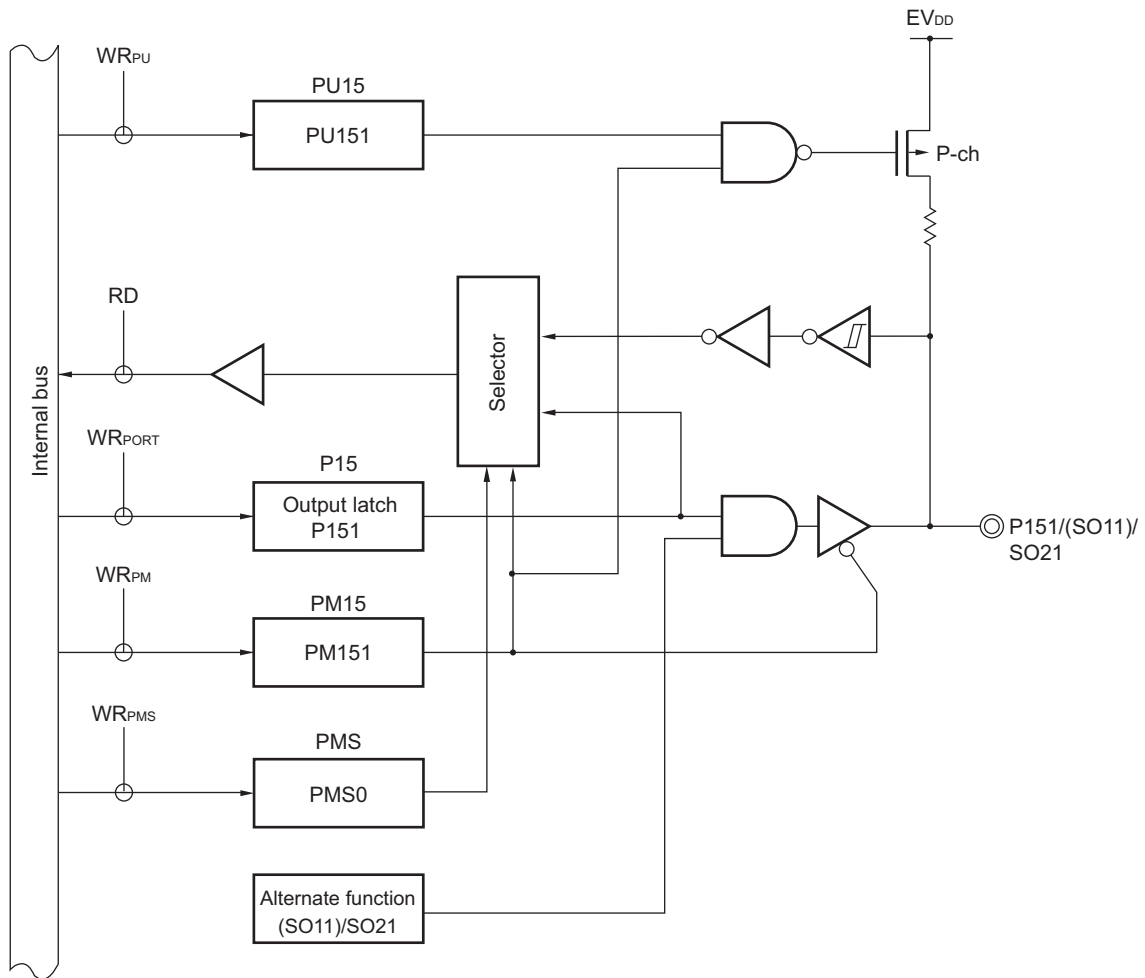
Figure 4-85 to 4-90 show block diagrams of port 15 for 144-pin products.

Figure 4-85. Block Diagram of P150



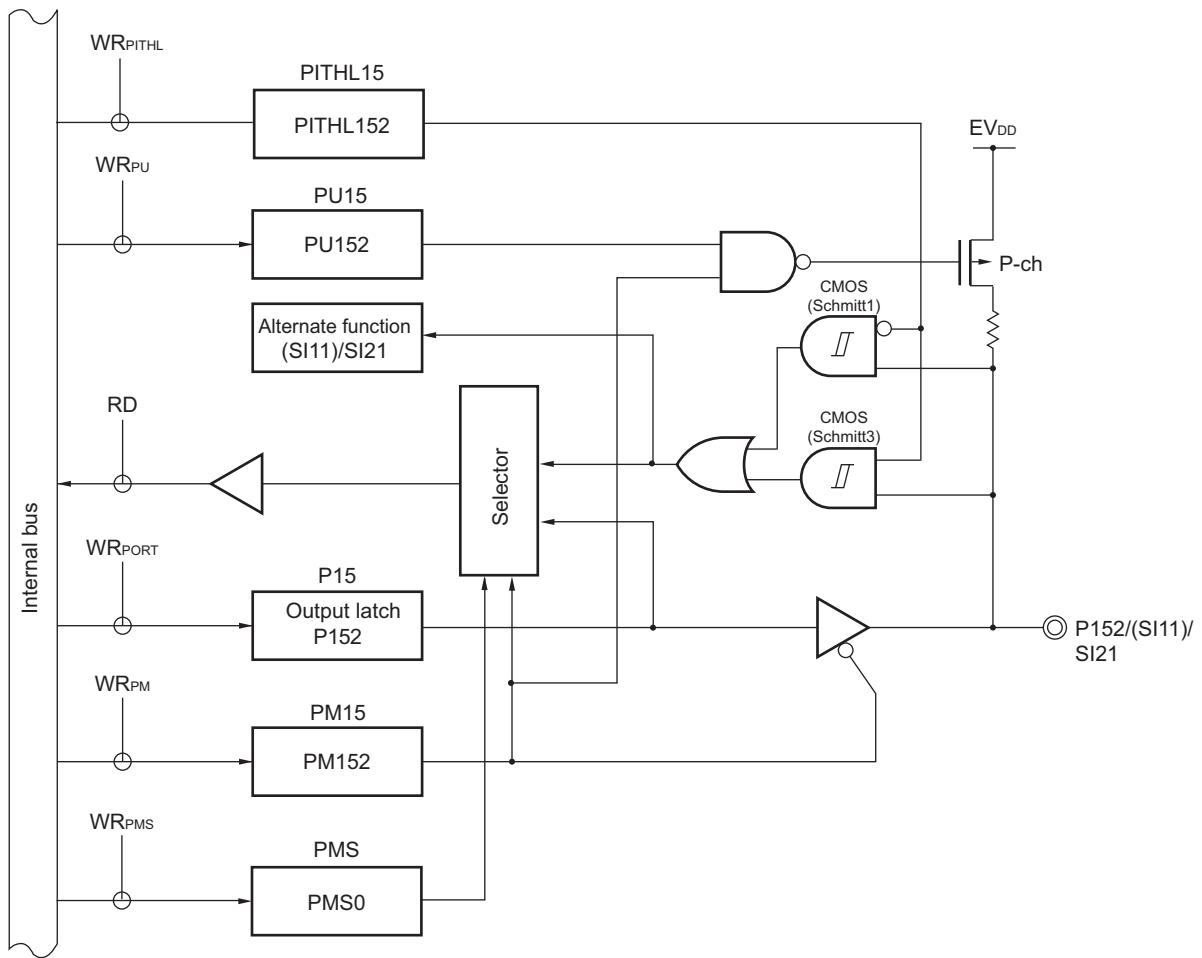
- P15: Port register 15
- PU15: Pull-up resistor option register 15
- PM15: Port mode register 15
- PMS: Port mode select register
- PITHL15: Port input threshold control register 15
- RD: Read signal
- WR_{xx}: Write signal

Figure 4-86. Block Diagram of P151



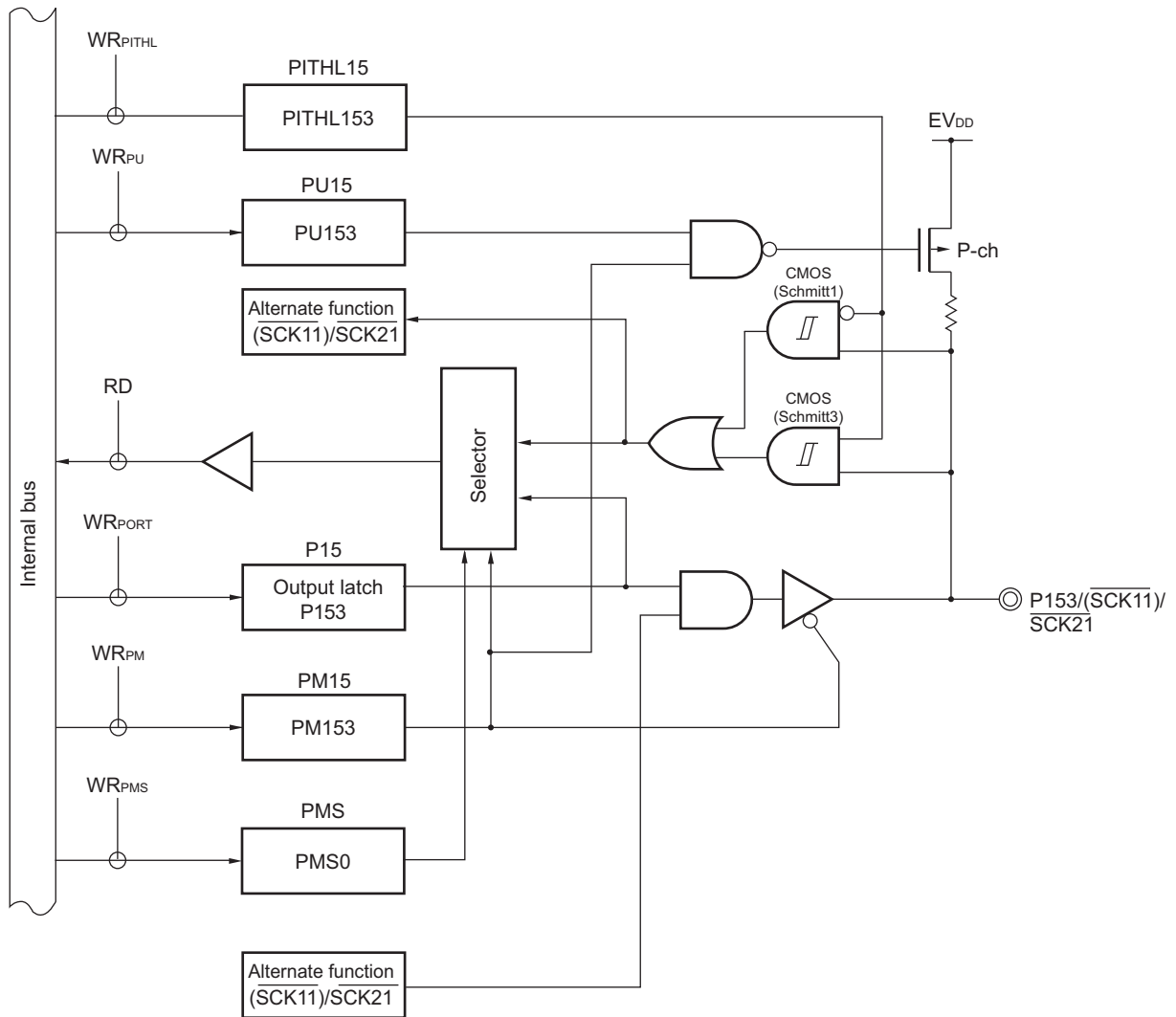
- P15: Port register 15
- PU15: Pull-up resistor option register 15
- PM15: Port mode register 15
- PMS: Port mode select register
- RD: Read signal
- WR_{xx}: Write signal

Figure 4-87. Block Diagram of P152



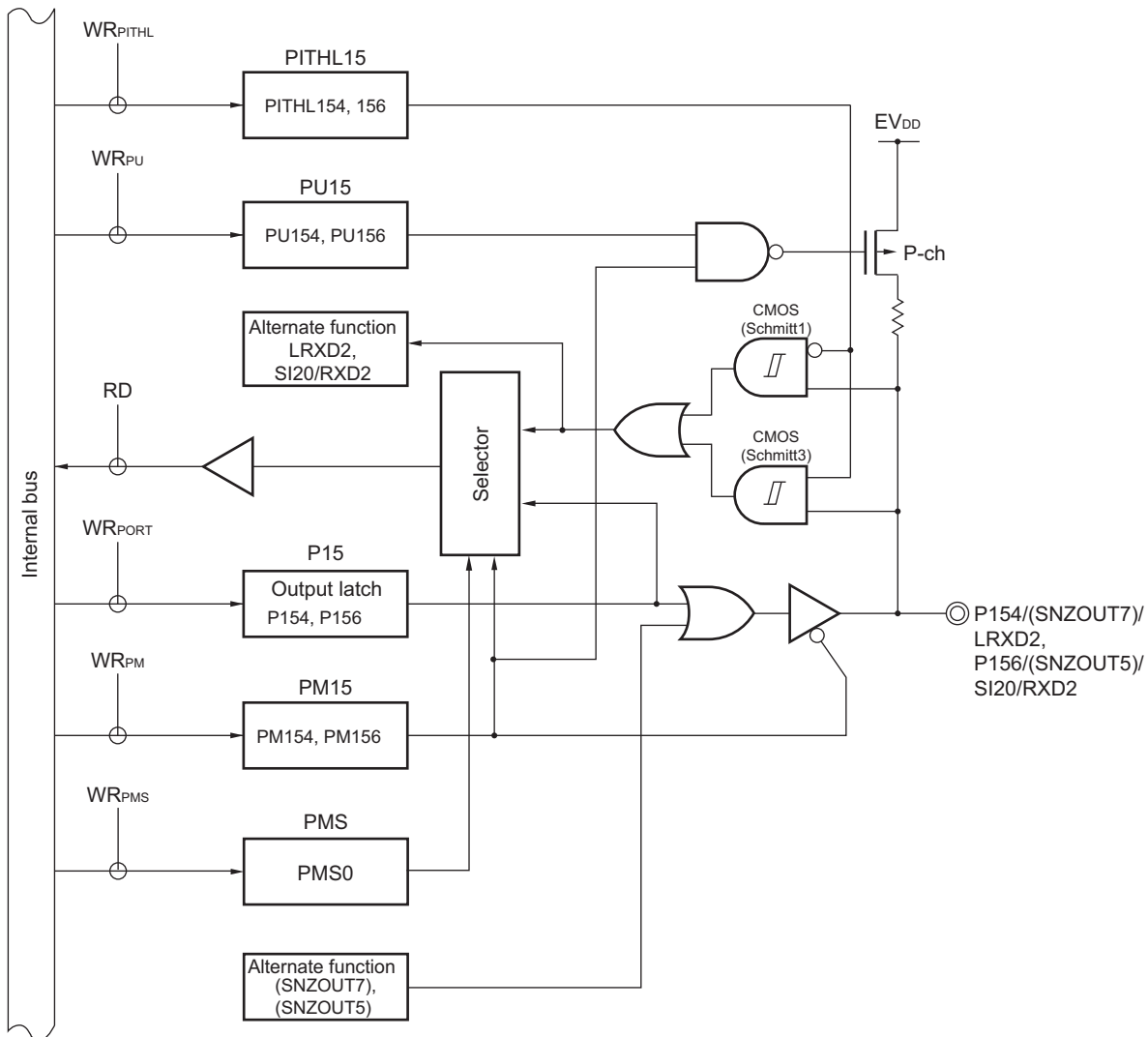
- P15: Port register 15
- PU15: Pull-up resistor option register 15
- PM15: Port mode register 15
- PMS: Port mode select register
- PITHL15: Port input threshold control register 15
- RD: Read signal
- WR_{xx}: Write signal

Figure 4-88. Block Diagram of P153



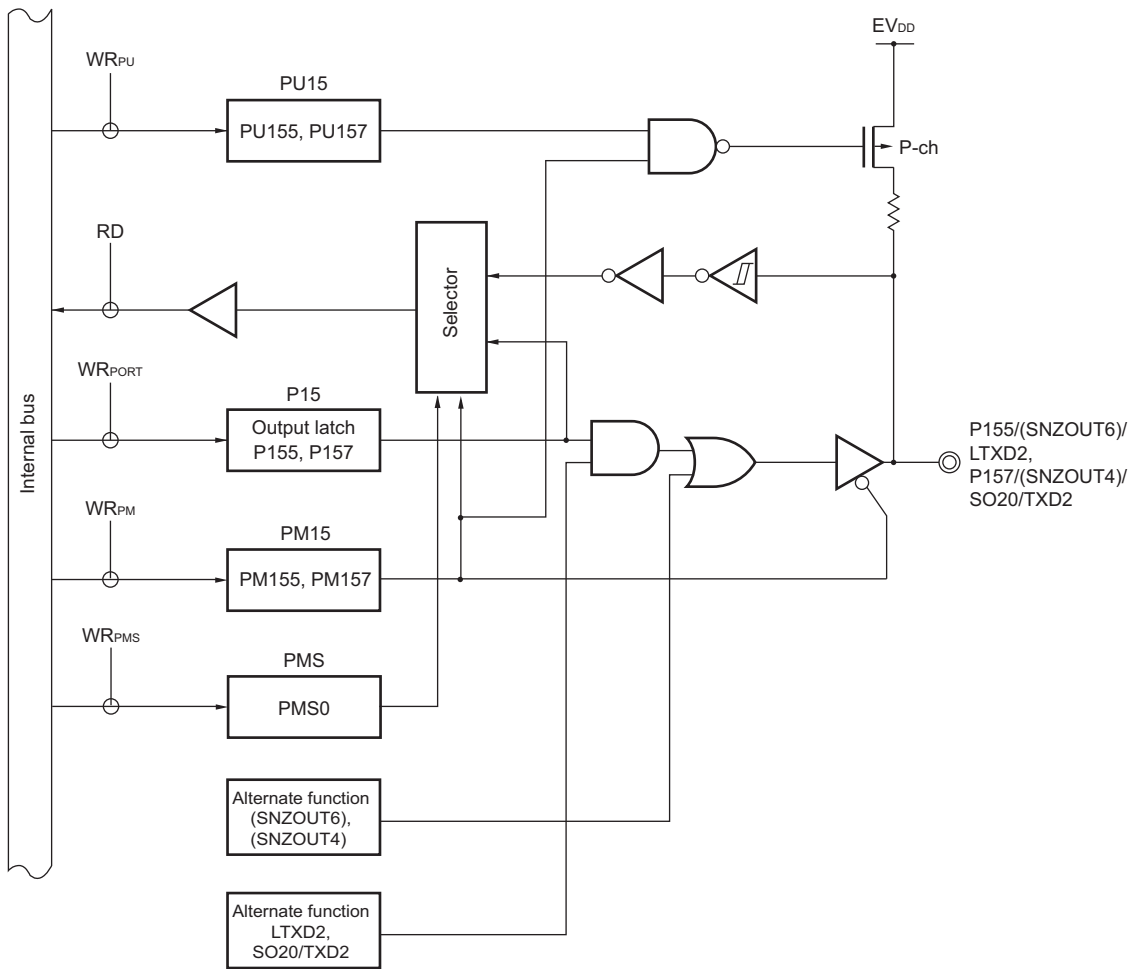
- P15: Port register 15
- PU15: Pull-up resistor option register 15
- PM15: Port mode register 15
- PMS: Port mode select register
- PITHL15: Port input threshold control register 15
- RD: Read signal
- WR_{xx}: Write signal

Figure 4-89. Block Diagram of P154, P156



- P15: Port register 15
- PU15: Pull-up resistor option register 15
- PM15: Port mode register 15
- PMS: Port mode select register
- PITHL15: Port input threshold control register 15
- RD: Read signal
- WR_{xx}: Write signal

Figure 4-90. Block Diagram of P155, P157



- P15: Port register 15
- PU15: Pull-up resistor option register 15
- PM15: Port mode register 15
- PMS: Port mode select register
- RD: Read signal
- WR_{xx}: Write signal

4.2.17 Port 16

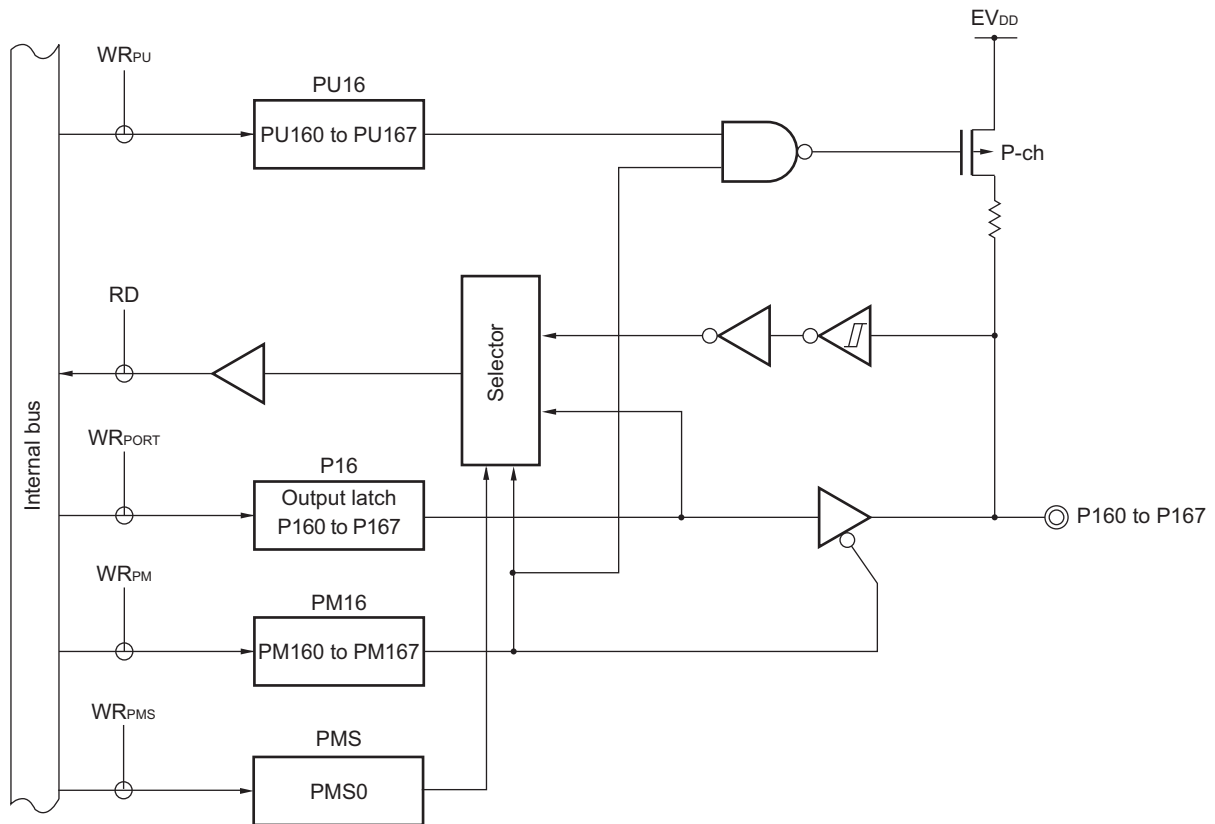
Port 16 is an I/O port with an output latch. Port 16 can be set to the input mode or output mode in 1-bit units using port mode register 16 (PM16). When the P160 to P167 pins are used as an input port, use of an on-chip pull-up resistor can be specified in 1-bit units by pull-up resistor option register 16 (PU16).

Table 4-28. Settings of Registers When Using Port 16

Pin Name		PM16X	Alternate Function Setting	Remark
Name	I/O			
P160 to P167	Input	1	×	
	Output	0	×	

Figure 4-91 shows block diagrams of port 16 for 144-pin products.

Figure 4-91. Block Diagram of P160 to P167



- P16: Port register 16
- PU16: Pull-up resistor option register 16
- PM16: Port mode register 16
- PMS: Port mode select register
- RD: Read signal
- WR_{xx}: Write signal

4.3 Registers Controlling Port Function

Port functions are controlled by the following registers.

- Port mode registers (PMxx)
- Port registers (Pxx)
- Pull-up resistor option registers (PUxx)
- Port input mode registers (PIMxx)
- Port output mode registers (POMxx)
- Port mode control registers (PMCxx)
- A/D port configuration register (ADPC)
- Peripheral I/O redirection registers (PIORx)
- Port input threshold control register (PITHLxx)
- Port output slew rate select registers (PSRSEL)
- SNOOZE status output control registers 0 to 3 (PSNZCNT0 to PSNZCNT3)
- Port mode select register (PMS)

Table 4-29. Port Configuration (48 to 100-pin products) (1/4)

Port Name	Port Bit	Output Latch	I/O Mode Control	Pull-up Control	Input Type Control	Output Type Control	Operating Mode Control	Input Threshold Control
PORT0	0	P0.0	PM0.0	PU0.0	—	—	—	PITHL0.0
	1	P0.1	PM0.1	PU0.1	—	—	—	—
	2	P0.2	PM0.2	PU0.2	—	—	—	—
	3	P0.3	PM0.3	PU0.3	—	—	—	—
	4	—	—	—	—	—	—	—
	5	—	—	—	—	—	—	—
	6	—	—	—	—	—	—	—
	7	—	—	—	—	—	—	—
PORT1	0	P1.0	PM1.0	PU1.0	PIM1.0	POM1.0	—	PITHL1.0
	1	P1.1	PM1.1	PU1.1	PIM1.1	POM1.1	—	PITHL1.1
	2	P1.2	PM1.2	PU1.2	—	POM1.2	—	—
	3	P1.3	PM1.3	PU1.3	PIM1.3	POM1.3	—	PITHL1.3
	4	P1.4	PM1.4	PU1.4	PIM1.4	POM1.4	—	PITHL1.4
	5	P1.5	PM1.5	PU1.5	—	POM1.5	—	—
	6	P1.6	PM1.6	PU1.6	PIM1.6	POM1.6	—	PITHL1.6
	7	P1.7	PM1.7	PU1.7	PIM1.7	POM1.7	—	PITHL1.7
PORT2	0	—	—	—	—	—	—	—
	1	—	—	—	—	—	—	—
	2	—	—	—	—	—	—	—
	3	—	—	—	—	—	—	—
	4	—	—	—	—	—	—	—
	5	—	—	—	—	—	—	—
	6	—	—	—	—	—	—	—
	7	—	—	—	—	—	—	—
PORT3	0	P3.0	PM3.0	PU3.0	PIM3.0	—	—	PITHL3.0
	1	P3.1	PM3.1	PU3.1	—	—	—	—
	2	P3.2	PM3.2	PU3.2	—	—	—	—
	3	P3.3	PM3.3	—	—	—	—	—
	4	P3.4	PM3.4	—	—	—	—	—
	5	—	—	—	—	—	—	—
	6	—	—	—	—	—	—	—
	7	—	—	—	—	—	—	—
PORT4	0	P4.0	PM4.0	PU4.0	—	—	—	—
	1	P4.1	PM4.1	PU4.1	—	—	—	—
	2	P4.2	PM4.2	PU4.2	—	—	—	—
	3	P4.3	PM4.3	PU4.3	—	—	—	PITHL4.3
	4	P4.4	PM4.4	PU4.4	—	—	—	—
	5	P4.5	PM4.5	PU4.5	—	—	—	—
	6	P4.6	PM4.6	PU4.6	—	—	—	—
	7	P4.7	PM4.7	PU4.7	—	—	—	—

Remark —: Not provided.

Table 4-29. Port Configuration (48 to 100-pin products) (2/4)

Port Name	Port Bit	Output Latch	I/O Mode Control	Pull-up Control	Input Type Control	Output Type Control	Operating Mode Control	Input Threshold Control
PORT5	0	P5.0	PM5.0	PU5.0	—	—	—	PITHL5.0
	1	P5.1	PM5.1	PU5.1	—	—	—	—
	2	P5.2	PM5.2	PU5.2	—	—	—	PITHL5.2
	3	P5.3	PM5.3	PU5.3	—	—	—	PITHL5.3
	4	P5.4	PM5.4	PU5.4	PIM5.4	—	—	PITHL5.4
	5	P5.5	PM5.5	PU5.5	—	—	—	—
	6	P5.6	PM5.6	PU5.6	—	—	—	—
	7	P5.7	PM5.7	PU5.7	—	—	—	—
PORT6	0	P6.0	PM6.0	PU6.0	—	POM6.0	—	PITHL6.0
	1	P6.1	PM6.1	PU6.1	—	POM6.1	—	PITHL6.1
	2	P6.2	PM6.2	PU6.2	PIM6.2	POM6.2	—	PITHL6.2
	3	P6.3	PM6.3	PU6.3	PIM6.3	POM6.3	—	PITHL6.3
	4	P6.4	PM6.4	PU6.4	—	—	—	—
	5	P6.5	PM6.5	PU6.5	—	—	—	—
	6	P6.6	PM6.6	PU6.6	—	—	—	—
	7	P6.7	PM6.7	PU6.7	—	—	—	—
PORT7	0	P7.0	PM7.0	PU7.0	PIM7.0	POM7.0	PMC7.0	PITHL7.0
	1	P7.1	PM7.1	PU7.1	PIM7.1	POM7.1	PMC7.1	PITHL7.1
	2	P7.2	PM7.2	PU7.2	—	POM7.2	PMC7.2	—
	3	P7.3	PM7.3	PU7.3	PIM7.3	—	PMC7.3	PITHL7.3
	4	P7.4	PM7.4	PU7.4	—	—	PMC7.4	—
	5	P7.5	PM7.5	PU7.5	—	—	—	PITHL7.5
	6	P7.6	PM7.6	PU7.6	—	—	—	PITHL7.6
	7	P7.7	PM7.7	PU7.7	—	—	—	PITHL7.7
PORT8	0	P8.0	PM8.0	—	—	—	—	—
	1	P8.1	PM8.1	—	—	—	—	—
	2	P8.2	PM8.2	—	—	—	—	—
	3	P8.3	PM8.3	—	—	—	—	—
	4	P8.4	PM8.4	—	—	—	—	—
	5	P8.5	PM8.5	—	—	—	—	—
	6	P8.6	PM8.6	—	—	—	—	—
	7	P8.7	PM8.7	—	—	—	—	—
PORT9	0	P9.0	PM9.0	—	—	—	—	—
	1	P9.1	PM9.1	—	—	—	—	—
	2	P9.2	PM9.2	—	—	—	—	—
	3	P9.3	PM9.3	—	—	—	—	—
	4	P9.4	PM9.4	—	—	—	—	—
	5	P9.5	PM9.5	—	—	—	—	—
	6	P9.6	PM9.6	—	—	—	—	—
	7	P9.7	PM9.7	—	—	—	—	—

Remark —: Not provided.

Table 4-29. Port Configuration (48 to 100-pin products) (3/4)

Port Name	Port Bit	Output Latch	I/O Mode Control	Pull-up Control	Input Type Control	Output Type Control	Operating Mode Control	Input Threshold Control
PORT10	0	P10.0	PM10.0	—	—	—	—	—
	1	P10.1	PM10.1	—	—	—	—	—
	2	P10.2	PM10.2	—	—	—	—	—
	3	P10.3	PM10.3	—	—	—	—	—
	4	P10.4	PM10.4	—	—	—	—	—
	5	P10.5	PM10.5	—	—	—	—	—
	6	P10.6	PM10.6	PU10.6	—	—	—	—
	7	P10.7	PM10.7	PU10.7	—	—	—	PITHL10.7
PORT11	0	—	—	—	—	—	—	—
	1	—	—	—	—	—	—	—
	2	—	—	—	—	—	—	—
	3	—	—	—	—	—	—	—
	4	—	—	—	—	—	—	—
	5	—	—	—	—	—	—	—
	6	—	—	—	—	—	—	—
	7	—	—	—	—	—	—	—
PORT12	0	P12.0	PM12.0	PU12.0	—	POM12.0	PMC12.0	—
	1	P12.1	—	—	—	—	—	—
	2	P12.2	—	—	—	—	—	—
	3	P12.3	—	—	—	—	—	—
	4	P12.4	—	—	—	—	—	—
	5	P12.5	PM12.5	PU12.5	PIM12.5	—	PMC12.5	PITHL12.5
	6	P12.6	PM12.6	PU12.6	—	—	—	—
	7	P12.7	PM12.7	PU12.7	—	—	—	—
PORT13	0	P13.0	—	—	—	—	—	—
	1	—	—	—	—	—	—	—
	2	—	—	—	—	—	—	—
	3	—	—	—	—	—	—	—
	4	—	—	—	—	—	—	—
	5	—	—	—	—	—	—	—
	6	—	—	—	—	—	—	—
	7	P13.7	—	—	—	—	—	—
PORT14	0	P14.0	PM14.0	PU14.0	—	—	—	—
	1	—	—	—	—	—	—	—
	2	—	—	—	—	—	—	—
	3	—	—	—	—	—	—	—
	4	—	—	—	—	—	—	—
	5	—	—	—	—	—	—	—
	6	—	—	—	—	—	—	—
	7	—	—	—	—	—	—	—

Remark —: Not provided.

Table 4-29. Port Configuration (48 to 100-pin products) (4/4)

Port Name	Port Bit	Output Latch	I/O Mode Control	Pull-up Control	Input Type Control	Output Type Control	Operating Mode Control	Input Threshold Control
PORT15	0	P15.0	PM15.0	PU15.0	—	—	—	PITHL15.0
	1	P15.1	PM15.1	PU15.1	—	—	—	—
	2	P15.2	PM15.2	PU15.2	—	—	—	PITHL15.2
	3	P15.3	PM15.3	PU15.3	—	—	—	PITHL15.3
	4	P15.4	PM15.4	PU15.4	—	—	—	PITHL15.4
	5	P15.5	PM15.5	PU15.5	—	—	—	—
	6	P15.6	PM15.6	PU15.6	—	—	—	PITHL15.6
	7	P15.7	PM15.7	PU15.7	—	—	—	—
PORT16	0	—	—	—	—	—	—	—
	1	—	—	—	—	—	—	—
	2	—	—	—	—	—	—	—
	3	—	—	—	—	—	—	—
	4	—	—	—	—	—	—	—
	5	—	—	—	—	—	—	—
	6	—	—	—	—	—	—	—
	7	—	—	—	—	—	—	—

Remark —: Not provided.

Table 4-30. Port Configuration (144-pin products) (1/4)

Port Name	Port Bit	Output Latch	I/O Mode Control	Pull-up Control	InputType Control	Output Type Control	Operating Mode Control	Input Threshold Control
PORT0	0	P0.0	PM0.0	PU0.0	—	—	—	PITHL0.0
	1	P0.1	PM0.1	PU0.1	—	—	—	—
	2	P0.2	PM0.2	PU0.2	—	—	—	—
	3	P0.3	PM0.3	PU0.3	—	—	—	—
	4	P0.4	PM0.4	PU0.4	—	—	—	—
	5	P0.5	PM0.5	PU0.5	—	—	—	—
	6	P0.6	PM0.6	PU0.6	—	—	—	—
	7	P0.7	PM0.7	PU0.7	—	—	—	—
PORT1	0	P1.0	PM1.0	PU1.0	PIM1.0	POM1.0	—	PITHL1.0
	1	P1.1	PM1.1	PU1.1	PIM1.1	POM1.1	—	PITHL1.1
	2	P1.2	PM1.2	PU1.2	—	POM1.2	—	—
	3	P1.3	PM1.3	PU1.3	PIM1.3	POM1.3	—	PITHL1.3
	4	P1.4	PM1.4	PU1.4	PIM1.4	POM1.4	—	PITHL1.4
	5	P1.5	PM1.5	PU1.5	—	POM1.5	—	—
	6	P1.6	PM1.6	PU1.6	PIM1.6	POM1.6	—	PITHL1.6
	7	P1.7	PM1.7	PU1.7	PIM1.7	POM1.7	—	PITHL1.7
PORT2	0	P2.0	PM2.0	PU2.0	—	—	—	PITHL2.0
	1	P2.1	PM2.1	PU2.1	—	—	—	PITHL2.1
	2	P2.2	PM2.2	PU2.2	—	—	—	—
	3	P2.3	PM2.3	PU2.3	—	—	—	—
	4	P2.4	PM2.4	PU2.4	—	—	—	PITHL2.4
	5	P2.5	PM2.5	PU2.5	—	—	—	PITHL2.5
	6	P2.6	PM2.6	PU2.6	—	—	—	—
	7	P2.7	PM2.7	PU2.7	—	—	—	—
PORT3	0	P3.0	PM3.0	PU3.0	PIM3.0	—	—	PITHL3.0
	1	P3.1	PM3.1	PU3.1	—	—	—	—
	2	P3.2	PM3.2	PU3.2	—	—	—	—
	3	P3.3	PM3.3	—	—	—	—	—
	4	P3.4	PM3.4	—	—	—	—	—
	5	P3.5	PM3.5	PU3.5	—	—	—	—
	6	P3.6	PM3.6	PU3.6	—	—	—	—
	7	P3.7	PM3.7	PU3.7	—	—	—	PITHL3.7
PORT4	0	P4.0	PM4.0	PU4.0	—	—	—	—
	1	P4.1	PM4.1	PU4.1	—	—	—	—
	2	P4.2	PM4.2	PU4.2	—	—	—	—
	3	P4.3	PM4.3	PU4.3	—	—	—	PITHL4.3
	4	P4.4	PM4.4	PU4.4	—	—	—	—
	5	P4.5	PM4.5	PU4.5	—	—	—	—
	6	P4.6	PM4.6	PU4.6	—	—	—	—
	7	P4.7	PM4.7	PU4.7	—	—	—	—

Remark —: Not provided.

Table 4-30. Port Configuration (144-pin products) (2/4)

Port Name	Port Bit	Output Latch	I/O Mode Control	Pull-up Control	Input Type Control	Output Type Control	Operating Mode Control	Input Threshold Control
PORT5	0	P5.0	PM5.0	PU5.0	—	—	—	PITHL5.0
	1	P5.1	PM5.1	PU5.1	—	—	—	—
	2	P5.2	PM5.2	PU5.2	—	—	—	PITHL5.2
	3	P5.3	PM5.3	PU5.3	—	—	—	PITHL5.3
	4	P5.4	PM5.4	PU5.4	PIM5.4	—	—	PITHL5.4
	5	P5.5	PM5.5	PU5.5	—	—	—	—
	6	P5.6	PM5.6	PU5.6	—	—	—	—
	7	P5.7	PM5.7	PU5.7	—	—	—	—
PORT6	0	P6.0	PM6.0	PU6.0	—	POM6.0	—	PITHL6.0
	1	P6.1	PM6.1	PU6.1	—	POM6.1	—	PITHL6.1
	2	P6.2	PM6.2	PU6.2	PIM6.2	POM6.2	—	PITHL6.2
	3	P6.3	PM6.3	PU6.3	PIM6.3	POM6.3	—	PITHL6.3
	4	P6.4	PM6.4	PU6.4	—	—	—	—
	5	P6.5	PM6.5	PU6.5	—	—	—	—
	6	P6.6	PM6.6	PU6.6	—	—	—	—
	7	P6.7	PM6.7	PU6.7	—	—	—	—
PORT7	0	P7.0	PM7.0	PU7.0	PIM7.0	POM7.0	PMC7.0	PITHL7.0
	1	P7.1	PM7.1	PU7.1	PIM7.1	POM7.1	PMC7.1	PITHL7.1
	2	P7.2	PM7.2	PU7.2	—	POM7.2	PMC7.2	—
	3	P7.3	PM7.3	PU7.3	PIM7.3	—	PMC7.3	PITHL7.3
	4	P7.4	PM7.4	PU7.4	—	—	PMC7.4	—
	5	P7.5	PM7.5	PU7.5	—	—	—	PITHL7.5
	6	P7.6	PM7.6	PU7.6	—	—	—	PITHL7.6
	7	P7.7	PM7.7	PU7.7	—	—	—	PITHL7.7
PORT8	0	P8.0	PM8.0	—	—	—	—	—
	1	P8.1	PM8.1	—	—	—	—	—
	2	P8.2	PM8.2	—	—	—	—	—
	3	P8.3	PM8.3	—	—	—	—	—
	4	P8.4	PM8.4	—	—	—	—	—
	5	P8.5	PM8.5	—	—	—	—	—
	6	P8.6	PM8.6	—	—	—	—	—
	7	P8.7	PM8.7	—	—	—	—	—
PORT9	0	P9.0	PM9.0	—	—	—	—	—
	1	P9.1	PM9.1	—	—	—	—	—
	2	P9.2	PM9.2	—	—	—	—	—
	3	P9.3	PM9.3	—	—	—	—	—
	4	P9.4	PM9.4	—	—	—	—	—
	5	P9.5	PM9.5	—	—	—	—	—
	6	P9.6	PM9.6	—	—	—	—	—
	7	P9.7	PM9.7	—	—	—	—	—

Remark —: Not provided.

Table 4-30. Port Configuration (144-pin products) (3/4)

Port Name	Port Bit	Output Latch	I/O Mode Control	Pull-up Control	Input Type Control	Output Type Control	Operating Mode Control	Input Threshold Control
PORT10	0	P10.0	PM10.0	—	—	—	—	—
	1	P10.1	PM10.1	—	—	—	—	—
	2	P10.2	PM10.2	—	—	—	—	—
	3	P10.3	PM10.3	—	—	—	—	—
	4	P10.4	PM10.4	—	—	—	—	—
	5	P10.5	PM10.5	—	—	—	—	—
	6	P10.6	PM10.6	PU10.6	—	—	—	—
	7	P10.7	PM10.7	PU10.7	—	—	—	PITHL10.7
PORT11	0	P11.0	PM11.0	PU11.0	—	—	—	—
	1	P11.1	PM11.1	PU11.1	—	—	—	—
	2	P11.2	PM11.2	PU11.2	—	—	—	—
	3	P11.3	PM11.3	PU11.3	—	—	—	—
	4	P11.4	PM11.4	PU11.4	—	—	—	—
	5	P11.5	PM11.5	PU11.5	—	—	—	—
	6	P11.6	PM11.6	PU11.6	—	—	—	—
	7	P11.7	PM11.7	PU11.7	—	—	—	—
PORT12	0	P12.0	PM12.0	PU12.0	—	POM12.0	PMC12.0	—
	1	P12.1	—	—	—	—	—	—
	2	P12.2	—	—	—	—	—	—
	3	P12.3	—	—	—	—	—	—
	4	P12.4	—	—	—	—	—	—
	5	P12.5	PM12.5	PU12.5	PIM12.5	—	PMC12.5	PITHL12.5
	6	P12.6	PM12.6	PU12.6	—	—	—	—
	7	P12.7	PM12.7	PU12.7	—	—	—	—
PORT13	0	P13.0	—	—	—	—	—	—
	1	P13.1	PM13.1	PU13.1	—	—	—	—
	2	P13.2	PM13.2	PU13.2	—	—	—	—
	3	P13.3	PM13.3	PU13.3	—	—	—	—
	4	P13.4	PM13.4	PU13.4	—	—	—	—
	5	P13.5	PM13.5	PU13.5	—	—	—	—
	6	P13.6	PM13.6	PU13.6	—	—	—	—
	7	P13.7	—	—	—	—	—	—
PORT14	0	P14.0	PM14.0	PU14.0	—	—	—	—
	1	P14.1	PM14.1	PU14.1	—	—	—	—
	2	P14.2	PM14.2	PU14.2	—	—	—	—
	3	P14.3	PM14.3	PU14.3	—	—	—	—
	4	P14.4	PM14.4	PU14.4	—	—	—	—
	5	P14.5	PM14.5	PU14.5	—	—	—	—
	6	P14.6	PM14.6	PU14.6	—	—	—	—
	7	P14.7	PM14.7	PU14.7	—	—	—	—

Remark —: Not provided.

Table 4-30. Port Configuration (144-pin products) (4/4)

Port Name	Port Bit	Output Latch	I/O Mode Control	Pull-up Control	Input Type Control	Output Type Control	Operating Mode Control	Input Threshold Control
PORT15	0	P15.0	PM15.0	PU15.0	—	—	—	PITHL15.0
	1	P15.1	PM15.1	PU15.1	—	—	—	—
	2	P15.2	PM15.2	PU15.2	—	—	—	PITHL15.2
	3	P15.3	PM15.3	PU15.3	—	—	—	PITHL15.3
	4	P15.4	PM15.4	PU15.4	—	—	—	PITHL15.4
	5	P15.5	PM15.5	PU15.5	—	—	—	—
	6	P15.6	PM15.6	PU15.6	—	—	—	PITHL15.6
	7	P15.7	PM15.7	PU15.7	—	—	—	—
PORT16	0	P16.0	PM16.0	PU16.0	—	—	—	—
	1	P16.1	PM16.1	PU16.1	—	—	—	—
	2	P16.2	PM16.2	PU16.2	—	—	—	—
	3	P16.3	PM16.3	PU16.3	—	—	—	—
	4	P16.4	PM16.4	PU16.4	—	—	—	—
	5	P16.5	PM16.5	PU16.5	—	—	—	—
	6	P16.6	PM16.6	PU16.6	—	—	—	—
	7	P16.7	PM16.7	PU16.7	—	—	—	—

Remark —: Not provided.

4.3.1 Port mode registers (PMxx)

These registers specify input or output mode for the port in 1-bit units.

These registers can be set by a 1-bit or 8-bit memory manipulation instruction.

Reset signal generation sets these registers to FFH.

When port pins are used as alternate-function pins, set the port mode register by referencing **4.5 Settings of Port Mode Register and Output Latch When Using Alternate Function**.

Figure 4-92. Format of Port Mode Register (144-pin products)

Symbol	7	6	5	4	3	2	1	0	Address	After reset	R/W
PM0	PM07	PM06	PM05	PM04	PM03	PM02	PM01	PM00	FFF20H	FFH	R/W
PM1	PM17	PM16	PM15	PM14	PM13	PM12	PM11	PM10	FFF21H	FFH	R/W
PM2	PM27	PM26	PM25	PM24	PM23	PM22	PM21	PM20	FFF22H	FFH	R/W
PM3	PM37	PM36	PM35	PM34	PM33	PM32	PM31	PM30	FFF23H	FFH	R/W
PM4	PM47	PM46	PM45	PM44	PM43	PM42	PM41	PM40	FFF24H	FFH	R/W
PM5	PM57	PM56	PM55	PM54	PM53	PM52	PM51	PM50	FFF25H	FFH	R/W
PM6	PM67	PM66	PM65	PM64	PM63	PM62	PM61	PM60	FFF26H	FFH	R/W
PM7	PM77	PM76	PM75	PM74	PM73	PM72	PM71	PM70	FFF27H	FFH	R/W
PM8	PM87	PM86	PM85	PM84	PM83	PM82	PM81	PM80	FFF28H	FFH	R/W
PM9	PM97	PM96	PM95	PM94	PM93	PM92	PM91	PM90	FFF29H	FFH	R/W
PM10	PM107	PM106	PM105	PM104	PM103	PM102	PM101	PM100	FFF2AH	FFH	R/W
PM11	PM117	PM116	PM115	PM114	PM113	PM112	PM111	PM110	FFF2BH	FFH	R/W
PM12	PM127	PM126	PM125	1	1	1	1	PM120	FFF2CH	FFH	R/W
PM13	1	PM136	PM135	PM134	PM133	PM132	PM131	1	FFF2DH	FFH	R/W
PM14	PM147	PM146	PM145	PM144	PM143	PM142	PM141	PM140	FFF2EH	FFH	R/W
PM15	PM157	PM156	PM155	PM154	PM153	PM152	PM151	PM150	FFF2FH	FFH	R/W
PM16	PM167	PM166	PM165	PM164	PM163	PM162	PM161	PM160	FFF1DH	FFH	R/W
PMmn	Pmn pin I/O mode selection (m = 0 to 16; n = 0 to 7)										
0	Output mode (output buffer on)										
1	Input mode (output buffer off)										

Caution Be sure to set bits for pins that are not present to their initial values.

4.3.2 Port registers (Pxx)

These registers set the output latch value of a port.

If the data is read in the input mode, the pin level is read. If it is read in the output mode, the output latch value is read **Note**.

These registers can be set by a 1-bit or 8-bit memory manipulation instruction.

Even when PMxx is set to 0 (output mode), the pin level can be read from Pxx by setting PMS.0 (port mode select) to 1.

Reset signal generation clears these registers to 00H.

Note When P33, P34, P70 to P74, P80 to P87, P90 to P97, P100 to P105, P120, and P125 are set up as analog inputs of the A/D converter, P80 is set up as D/A converter output, or P81 to P85 are set up as analog inputs of the comparator, if a port is read while in the input mode, 0 is always returned, not the pin level.

Figure 4-93. Format of Port Register (144-pin products)

Symbol	7	6	5	4	3	2	1	0	Address	After reset	R/W
P0	P07	P06	P05	P04	P03	P02	P01	P00	FFF00H	00H (output latch)	R/W
P1	P17	P16	P15	P14	P13	P12	P11	P10	FFF01H	00H (output latch)	R/W
P2	P27	P26	P25	P24	P23	P22	P21	P20	FFF02H	00H (output latch)	R/W
P3	P37	P36	P35	P34	P33	P32	P31	P30	FFF03H	00H (output latch)	R/W
P4	P47	P46	P45	P44	P43	P42	P41	P40	FFF04H	00H (output latch)	R/W
P5	P57	P56	P55	P54	P53	P52	P51	P50	FFF05H	00H (output latch)	R/W
P6	P67	P66	P65	P64	P63	P62	P61	P60	FFF06H	00H (output latch)	R/W
P7	P77	P76	P75	P74	P73	P72	P71	P70	FFF07H	00H (output latch)	R/W
P8	P87	P86	P85	P84	P83	P82	P81	P80	FFF08H	00H (output latch)	R/W
P9	P97	P96	P95	P94	P93	P92	P91	P90	FFF09H	00H (output latch)	R/W
P10	P107	P106	P105	P104	P103	P102	P101	P100	FFF0AH	00H (output latch)	R/W
P11	P117	P116	P115	P114	P113	P112	P111	P110	FFF0BH	00H (output latch)	R/W
P12	P127	P126	P125	P124	P123	P122	P121	P120	FFF0CH	Undefined	R/W ^{Note1}
P13	P137	P136	P135	P134	P133	P132	P131	P130	FFF0DH	Undefined ^{Note2}	R/W ^{Note1}
P14	P147	P146	P145	P144	P143	P142	P141	P140	FFF0EH	00H (output latch)	R/W
P15	P157	P156	P155	P154	P153	P152	P151	P150	FFF0FH	00H (output latch)	R/W
P16	P167	P166	P165	P164	P163	P162	P161	P160	FFF1CH	00H (output latch)	R/W

Pmn	m = 0 to 16; n = 0 to 7	
	Output data control (in output mode)	Input data read (in input mode)
0	Output 0	Input low level
1	Output 1	Input high level

- Note 1.** P121 to P124 and P137 are read-only.
Note 2. P130 bit depends on the setting of User Option Byte (000C2H/020C2H)
 RESOUTB = 0 (Selects P130 as the RESOUT pin): P130 = 1
 RESOUTB = 1 (Selects P130 as a general port pin): P130 = 0

Caution Be sure to set bits for pins that are not present to their initial values.

4.3.3 Pull-up resistor option registers (PUxx)

These registers specify whether the on-chip pull-up resistors are to be used or not. On-chip pull-up resistors can be used in 1-bit units only for the bits set to input mode (PMmn = 1 and POMmn = 0) for the pins to which the use of an on-chip pull-up resistor has been specified in these registers. On-chip pull-up resistors cannot be connected to bits set to output mode and bits used as alternate-function output pins or analog pins, regardless of the settings of these registers.

These registers can be set by a 1-bit or 8-bit memory manipulation instruction. Reset signal generation clears these registers to 00H (only PU4 is set to 01H).

Figure 4-94. Format of Pull-up Resistor Option Register (144-pin products)

Symbol	7	6	5	4	3	2	1	0	Address	After reset	R/W
PU0	PU07	PU06	PU05	PU04	PU03	PU02	PU01	PU00	F0030H	00H	R/W
PU1	PU17	PU16	PU15	PU14	PU13	PU12	PU11	PU10	F0031H	00H	R/W
PU2	PU27	PU26	PU25	PU24	PU23	PU22	PU21	PU20	F0032H	00H	R/W
PU3	PU37	PU36	PU35	0	0	PU32	PU31	PU30	F0033H	00H	R/W
PU4	PU47	PU46	PU45	PU44	PU43	PU42	PU41	PU40	F0034H	01H	R/W
PU5	PU57	PU56	PU55	PU54	PU53	PU52	PU51	PU50	F0035H	00H	R/W
PU6	PU67	PU66	PU65	PU64	PU63	PU62	PU61	PU60	F0036H	00H	R/W
PU7	PU77	PU76	PU75	PU74	PU73	PU72	PU71	PU70	F0037H	00H	R/W
PU10	PU107	PU106	0	0	0	0	0	0	F003AH	00H	R/W
PU11	PU117	PU116	PU115	PU114	PU113	PU112	PU111	PU110	F003BH	00H	R/W
PU12	PU127	PU126	PU125	0	0	0	0	PU120	F003CH	00H	R/W
PU13	0	PU136	PU135	PU134	PU133	PU132	PU131	0	F003DH	00H	R/W
PU14	PU147	PU146	PU145	PU144	PU143	PU142	PU141	PU140	F003EH	00H	R/W
PU15	PU157	PU156	PU155	PU154	PU153	PU152	PU151	PU150	F003FH	00H	R/W
PU16	PU167	PU166	PU165	PU164	PU163	PU162	PU161	PU160	F02FEH	00H	R/W
PUmn	Pmn pin on-chip pull-up resistor selection (m = 0 to 7, 10 to 16; n = 0 to 7)										
0	On-chip pull-up resistor not connected										
1	On-chip pull-up resistor connected										

Caution Be sure to set bits for pins that are not present to their initial values.

4.3.4 Port input mode registers (PIM1, PIM3, PIM5 to PIM7, PIM12)

These registers set the input buffer of P10, P11, P13, P14, P16, P17, P30, P54, P62, P63, P70, P71, P73, and P125 in 1-bit units.

TTL input buffer can be selected during serial communication with an external device of the different potential.

These registers can be set by a 1-bit or 8-bit memory manipulation instruction.

Reset signal generation clears these registers to 00H.

Figure 4-95. Format of Port Input Mode Register (144-pin products)

Symbol	7	6	5	4	3	2	1	0	Address	After reset	R/W
PIM1	PIM17	PIM16	0	PIM14	PIM13	0	PIM11	PIM10	F0041H	00H	R/W
PIM3	0	0	0	0	0	0	0	PIM30	F0043H	00H	R/W
PIM5	0	0	0	PIM54	0	0	0	0	F0045H	00H	R/W
PIM6	0	0	0	0	PIM63	PIM62	0	0	F0046H	00H	R/W
PIM7	0	0	0	0	PIM73	0	PIM71	PIM70	F0047H	00H	R/W
PIM12	0	0	PIM125	0	0	0	0	0	F004CH	00H	R/W

PIMmn	Pmn pin input buffer selection (m = 1, 3, 5 to 7, 12; n = 0 to 7)	
0	Normal input buffer	
1	TTL input buffer	

Caution Be sure to set bits for pins that are not present to their initial values.

4.3.5 Port output mode registers (POM1, POM6, POM7, POM12)

These registers set the output mode of P10 to P17, P60 to P63, P70 to P72, and P120 in 1-bit units.

N-ch open-drain output (EV_{DD} tolerance) mode can be selected for the SDA00, SDA01, SDA10, and SDA11 pins during serial communication with an external device of the different potential or during simplified IIC communication with an external device of the same potential, and it can be also selected for the SDAA0 and SCLA0 pins during IIC communication.

These registers can be set by a 1-bit or 8-bit memory manipulation instruction.

Reset signal generation clears these registers to 00H.

Figure 4-96. Format of Port Output Mode Register (144-pin products)

Symbol	7	6	5	4	3	2	1	0	Address	After reset	R/W
POM1	POM17	POM16	POM15	POM14	POM13	POM12	POM11	POM10	F0051H	00H	R/W
POM6	0	0	0	0	POM63	POM62	POM61	POM60	F0056H	00H	R/W
POM7	0	0	0	0	0	POM72	POM71	POM70	F0057H	00H	R/W
POM12	0	0	0	0	0	0	0	POM120	F005CH	00H	R/W

POMmn	Pmn pin output mode selection (m = 1, 6, 7, 12; n = 0 to 7)
0	Normal output mode
1	N-ch open-drain output (EV _{DD} tolerance) mode

- Cautions**
- 1. The on-chip pull-up resistor cannot be used when POMmn is set to 1.**
 - 2. Be sure to set bits for pins that are not present to their initial values.**

4.3.6 Port mode control registers 7, 12 (PMC7, PMC12)

These registers set the P70 to P74, P120, and P125 digital I/O or analog input in 1-bit units.

These registers can be set by a 1-bit or 8-bit memory manipulation instruction.

Reset signal generation clears these registers to FFH.

Figure 4-97. Format of Port Mode Control Register (144-pin products) ^{Note}

Symbol	7	6	5	4	3	2	1	0	Address	After reset	R/W
PMC7	1	1	1	PMC74	PMC73	PMC72	PMC71	PMC70	F0067H	FFH	R/W
PMC12	1	1	PMC125	1	1	1	1	PMC120	F006CH	FFH	R/W

PM Cm n	Pmn pin digital I/O or analog input selection (m = 7, 12; n = 0 to 5)
0	Digital I/O (alternate function other than analog input)
1	Analog input

- Cautions**
1. Be sure to set bits for pins that are not present to their initial values.
 2. Set port pins specified as analog input pins to input mode by using port mode register x (PMx).

4.3.7 A/D port configuration register (ADPC)

This register is used to switch the P33/ANI0/AV_{REFP}, P34/ANI1/AV_{REFM}, P80/ANI2/ANO0, P81/ANI3/IVCMP00 to P84/ANI6/IVCMP03, P85/ANI7/IVREF0, and P86/ANI8 to P105/ANI23 pins to digital I/O of port or analog input of A/D converter.

This register is also used to switch the P80/ANI2/ANO0 pins to digital I/O of port or analog output of D/A converter.

This register is also used to switch the P81/ANI3/IVCMP00 to P84/ANI6/IVCMP03 and P85/ANI7/IVREF0 pins to analog input of comparator or digital I/O of port.

The ADPC register can be set by an 8-bit memory manipulation instruction.

Reset signal generation clears this register to 00H.

Figure 4-98. Format of A/D Port Configuration Register (ADPC) (144-pin products)

Address: F0076H After reset: 00H R/W

Symbol	7	6	5	4	3	2	1	0
ADPC	0	0	0	ADPC4	ADPC3	ADPC2	ADPC1	ADPC0

ADPC4 to ADPC0					ANI23/P105	ANI22/P104	ANI21/P103	ANI20/P102	ANI19/P101	ANI18/P100	ANI17/P97	ANI16/P96	ANI15/P95	ANI14/P94	ANI13/P93	ANI12/P92	ANI11/P91	ANI10/P90	ANI9/P87	ANI8/P86	ANI7/P85	ANI6/P84	ANI5/P83	ANI4/P82	ANI3/P81	ANI2/P80	ANI1/P34	ANI0/P33	
0	0	0	0	0	A	A	A	A	A	A	A	A	A	A	A	A	A	A	A	A	A	A	A	A	A	A	A	A	
0	0	0	0	1	D	D	D	D	D	D	D	D	D	D	D	D	D	D	D	D	D	D	D	D	D	D	D	D	
0	0	0	1	0	D	D	D	D	D	D	D	D	D	D	D	D	D	D	D	D	D	D	D	D	D	D	D	A	
0	0	0	1	1	D	D	D	D	D	D	D	D	D	D	D	D	D	D	D	D	D	D	D	D	D	D	A	A	
0	0	1	0	0	D	D	D	D	D	D	D	D	D	D	D	D	D	D	D	D	D	D	D	D	D	A	A	A	
0	0	1	0	1	D	D	D	D	D	D	D	D	D	D	D	D	D	D	D	D	D	D	D	D	A	A	A	A	
0	0	1	1	0	D	D	D	D	D	D	D	D	D	D	D	D	D	D	D	D	D	D	D	A	A	A	A	A	
0	0	1	1	1	D	D	D	D	D	D	D	D	D	D	D	D	D	D	D	D	D	D	A	A	A	A	A	A	
0	1	0	0	0	D	D	D	D	D	D	D	D	D	D	D	D	D	D	D	D	A	A	A	A	A	A	A	A	
0	1	0	0	1	D	D	D	D	D	D	D	D	D	D	D	D	D	D	D	D	A	A	A	A	A	A	A	A	
0	1	0	1	0	D	D	D	D	D	D	D	D	D	D	D	D	D	D	D	A	A	A	A	A	A	A	A	A	
0	1	0	1	1	D	D	D	D	D	D	D	D	D	D	D	D	D	D	D	A	A	A	A	A	A	A	A	A	
0	1	1	0	0	D	D	D	D	D	D	D	D	D	D	D	D	D	A	A	A	A	A	A	A	A	A	A	A	
0	1	1	0	1	D	D	D	D	D	D	D	D	D	D	D	D	D	A	A	A	A	A	A	A	A	A	A	A	
0	1	1	1	0	D	D	D	D	D	D	D	D	D	D	D	D	A	A	A	A	A	A	A	A	A	A	A	A	
0	1	1	1	1	D	D	D	D	D	D	D	D	D	D	D	D	A	A	A	A	A	A	A	A	A	A	A	A	
1	0	0	0	0	D	D	D	D	D	D	D	D	A	A	A	A	A	A	A	A	A	A	A	A	A	A	A	A	
1	0	0	0	1	D	D	D	D	D	D	D	A	A	A	A	A	A	A	A	A	A	A	A	A	A	A	A	A	
1	0	0	1	0	D	D	D	D	D	D	A	A	A	A	A	A	A	A	A	A	A	A	A	A	A	A	A	A	
1	0	0	1	1	D	D	D	D	D	A	A	A	A	A	A	A	A	A	A	A	A	A	A	A	A	A	A	A	
1	0	1	0	0	D	D	D	D	D	A	A	A	A	A	A	A	A	A	A	A	A	A	A	A	A	A	A	A	
1	0	1	0	1	D	D	D	D	A	A	A	A	A	A	A	A	A	A	A	A	A	A	A	A	A	A	A	A	
1	0	1	1	0	D	D	D	A	A	A	A	A	A	A	A	A	A	A	A	A	A	A	A	A	A	A	A	A	
1	0	1	1	1	D	D	A	A	A	A	A	A	A	A	A	A	A	A	A	A	A	A	A	A	A	A	A	A	
1	1	0	0	0	D	A	A	A	A	A	A	A	A	A	A	A	A	A	A	A	A	A	A	A	A	A	A	A	
Other than above					Setting prohibited																								

- Cautions**
1. Set the channel used for A/D conversion to the input mode by using port mode registers 3, 8, 9, 10 (PM3, PM8, PM9, PM10).
 2. Set the channel used for D/A conversion or comparator to the input mode by using port mode registers8 (PM8).
 3. Do not set the pin set by the ADPC register as digital I/O by the analog input channel specification register (ADS).
 4. Do not set the pin set by the ADPC register as digital I/O by D/A converter mode register (DAM) as D/A conversion operation enable.
 5. Do not set the pin set by the ADPC register as digital I/O by the comparator I/O select register (CMPSEL).

4.3.8 Port input threshold control register (PITHL0 to PITHL7, PITHL10, PITHL12, PITHL15)

These registers are used to specify the threshold value of the input buffers for P00, P10, P11, P13, P14, P16, P17, P20, P21, P24, P25, P30, P37, P43, P50, P52 to P54, P60 to P63, P70, P71, P73, P75 to P77, P107, P125, P150, P152, P153, P154, and P156 in 1-bit units.

These registers can set V_{IL} to 0.5 E_{VDD} for the serial communications interface and some external interrupts.

The PITHL0 to PITHL7, PITHL10, PITHL12, and PITHL15 registers can be set by a 1-bit or 8-bit memory manipulation instruction.

Reset signal generation clears these registers to 00H.

Figure 4-99. Format of Port Input Threshold Control Register (144-pin products)

Address: F0020H After reset: 00H R/W

Symbol	7	6	5	4	3	2	1	0
PITHL0	0	0	0	0	0	0	0	PITHL00

Address: F0021H After reset: 00H R/W

Symbol	7	6	5	4	3	2	1	0
PITHL1	PITHL17	PITHL16	0	PITHL14	PITHL13	0	PITHL11	PITHL10

Address: F0022H After reset: 00H R/W

Symbol	7	6	5	4	3	2	1	0
PITHL2	0	0	PITHL25	PITHL24	0	0	PITHL21	PITHL20

Address: F0023H After reset: 00H R/W

Symbol	7	6	5	4	3	2	1	0
PITHL3	PITHL37	0	0	0	0	0	0	PITHL30

Address: F0024H After reset: 00H R/W

Symbol	7	6	5	4	3	2	1	0
PITHL4	0	0	0	0	PITHL43	0	0	0

Address: F0025H After reset: 00H R/W

Symbol	7	6	5	4	3	2	1	0
PITHL5	0	0	0	PITHL54	PITHL53	PITHL52	0	PITHL50

Address: F0026H After reset: 00H R/W

Symbol	7	6	5	4	3	2	1	0
PITHL6	0	0	0	0	PITHL63	PITHL62	PITHL61	PITHL60

Address: F0027H After reset: 00H R/W

Symbol	7	6	5	4	3	2	1	0
PITHL7	PITHL77	PITHL76	PITHL75	0	PITHL73	0	PITHL71	PITHL70

Address: F002AH After reset: 00H R/W

Symbol	7	6	5	4	3	2	1	0
PITHL10	PITHL107	0	0	0	0	0	0	0

Address: F002CH After reset: 00H R/W

Symbol	7	6	5	4	3	2	1	0
PITHL12	0	0	PITHL125	0	0	0	0	0

Address: F002FH After reset: 00H R/W

Symbol	7	6	5	4	3	2	1	0
PITHL15	0	PITHL156	0	PITHL154	PITHL153	PITHL152	0	PITHL150

PITHLmn	Selection of the input buffer threshold for Pmn pins (m = 0 to 7, 10, 12, 15; n = 0 to 7)
0	Schmitt1 input
1	Schmitt3 input

PIMmn	PITHLmn	Selection of the input buffer threshold for Pmn pins (m = 0 to 7, 10, 12, 15; n = 0 to 7)
0	0	Schmitt1 input
0	1	Schmitt3 input
1	0	TTL input
1	1	Setting prohibited

Caution Be sure to set bits for pins that are not present to their initial values.

4.3.9 Peripheral I/O redirection register 0 (PIOR0)

This register is used to specify whether to enable or disable the peripheral I/O redirect function.

PIOR0 enables or disables redirection of the timer array unit functions; that is, it specifies which I/O port is assigned to each input pin of timer array unit 0.

This register can be set by an 8-bit memory manipulation instruction.

Reset signal generation clears this register to 00H.

Figure 4-100. Format of Peripheral I/O Redirection Register 0 (PIOR0)

Address: F0016H After reset: 00H R/W

Symbol	7	6	5	4	3	2	1	0
PIOR0	PIOR07	PIOR06	PIOR05	PIOR04	PIOR03	PIOR02	PIOR01	PIOR00

Bit	Function	144-pin		100-pin		80-pin		64-pin		48-pin	
		Setting value		Setting value		Setting value		Setting value		Setting value	
		0	1	0	1	0	1	0	1	0	1
PIOR07	TI07	P120	P44	P120	P44	P120	P44	P120	—	P120	—
PIOR06	TI06	P14	P02	P14	P02	P14	P02	P14	—	P14	—
PIOR05	TI05	P15	P00	P15	P00	P15	P00	P15	P00	P15	P00
PIOR04	TI04	P13	P01	P13	P01	P13	P01	P13	—	P13	—
PIOR03	TI03	P125	P127	P125	P127	P125	—	P125	—	P125	—
PIOR02	TI02	P16	P67	P16	P67	P16	P67	P16	—	P16	—
PIOR01	TI01	P30	P126	P30	P126	P30	P126	P30	—	P30	—
PIOR00	TI00	P17	P66	P17	P66	P17	P66	P17	—	P17	—

4.3.10 Peripheral I/O redirection register 1 (PIOR1)

This register is used to specify whether to enable or disable the peripheral I/O redirect function.

PIOR1 enables or disables redirection of the timer array unit functions; that is, it specifies which I/O port is assigned to each output pin of timer array unit 0.

This register can be set by an 8-bit memory manipulation instruction.

Reset signal generation clears this register to 00H.

Figure 4-101. Format of Peripheral I/O Redirection Register 1 (PIOR1)

Address: F0017H After reset: 00H R/W

Symbol	7	6	5	4	3	2	1	0
PIOR1	PIOR17	PIOR16	PIOR15	PIOR14	PIOR13	PIOR12	PIOR11	PIOR10

Bit	Function	144-pin		100-pin		80-pin		64-pin		48-pin	
		Setting value		Setting value		Setting value		Setting value		Setting value	
		0	1	0	1	0	1	0	1	0	1
PIOR17	TO07	P120	P44	P120	P44	P120	P44	P120	—	P120	—
PIOR16	TO06	P14	P02	P14	P02	P14	P02	P14	—	P14	—
PIOR15	TO05	P15	P00	P15	P00	P15	P00	P15	P00	P15	P00
PIOR14	TO04	P13	P01	P13	P01	P13	P01	P13	—	P13	—
PIOR13	TO03	P125	P127	P125	P127	P125	—	P125	—	P125	—
PIOR12	TO02	P16	P67	P16	P67	P16	P67	P16	—	P16	—
PIOR11	TO01	P30	P126	P30	P126	P30	P126	P30	—	P30	—
PIOR10	TO00	P17	P66	P17	P66	P17	P66	P17	—	P17	—

4.3.11 Peripheral I/O redirection register 2 (PIOR2)

This register is used to specify whether to enable or disable the peripheral I/O redirect function.

PIOR2 enables or disables redirection of the timer array unit functions; that is, it specifies which I/O port is assigned to each input pin of timer array unit 1.

This register can be set by an 8-bit memory manipulation instruction.

Reset signal generation clears this register to 00H.

Figure 4-102. Format of Peripheral I/O Redirection Register 2 (PIOR2)

Address: F0018H After reset: 00H R/W

Symbol	7	6	5	4	3	2	1	0
PIOR2	PIOR27	PIOR26	PIOR25	PIOR24	PIOR23	PIOR22	PIOR21	PIOR20

Bit	Function	144-pin		100-pin		80-pin	
		Setting value		Setting value		Setting value	
		0	1	0	1	0	1
PIOR27	TI17	P71	P57	P71	P57	P71	P57
PIOR26	TI16	P32	P65	P32	P65	P32	P65
PIOR25	TI15	P70	P56	P70	P56	P70	P56
PIOR24	TI14	P31	P64	P31	P64	P31	P64
PIOR23	TI13	P10	P55	P10	P55	P10	P55
PIOR22	TI12	P11	P46	P11	P46	P11	P46
PIOR21	TI11	P12	P54	P12	P54	P12	P54
PIOR20	TI10	P41	P45	P41	P45	P41	P45

Caution The 64-, and 48-pin products do not have the PIOR2 register.

4.3.12 Peripheral I/O redirection register 3 (PIOR3)

This register is used to specify whether to enable or disable the peripheral I/O redirect function.

PIOR3 enables or disables redirection of the timer array unit functions; that is, it specifies which I/O port is assigned to each output pin of timer array unit 1.

This register can be set by an 8-bit memory manipulation instruction.

Reset signal generation clears this register to 00H.

Figure 4-103. Format of Peripheral I/O Redirection Register 3 (PIOR3)

Address: F0019H After reset: 00H R/W

Symbol	7	6	5	4	3	2	1	0
PIOR3	PIOR37	PIOR36	PIOR35	PIOR34	PIOR33	PIOR32	PIOR31	PIOR30

Bit	Function	144-pin		100-pin		80-pin	
		Setting value		Setting value		Setting value	
		0	1	0	1	0	1
PIOR37	TO17	P71	P57	P71	P57	P71	P57
PIOR36	TO16	P32	P65	P32	P65	P32	P65
PIOR35	TO15	P70	P56	P70	P56	P70	P56
PIOR34	TO14	P31	P64	P31	P64	P31	P64
PIOR33	TO13	P10	P55	P10	P55	P10	P55
PIOR32	TO12	P11	P46	P11	P46	P11	P46
PIOR31	TO11	P12	P54	P12	P54	P12	P54
PIOR30	TO10	P41	P45	P41	P45	P41	P45

Caution The 64-, and 48-pin products do not have the PIOR3 register.

4.3.13 Peripheral I/O redirection register 4 (PIOR4)

This register is used to specify whether to enable or disable the peripheral I/O redirect function.

PIOR4 enables or disables redirection of the serial communication functions; that is, it specifies which I/O port is assigned to each serial data I/O pin of CAN, serial data I/O pin of LIN, serial data I/O pin of the serial array unit, clock I/O pin, and slave select input pin.

This register can be set by an 8-bit memory manipulation instruction.

Reset signal generation clears this register to 00H.

Figure 4-104. Format of Peripheral I/O Redirection Register 4 (PIOR4)

Address: F001AH After reset: 00H R/W

Symbol	7	6	5	4	3	2	1	0
PIOR4	0	PIOR46	PIOR45	PIOR44	PIOR43	PIOR42	PIOR41	PIOR40

Bit	Function	144-pin		100-pin		80-pin		64-pin		48-pin	
		Setting value		Setting value		Setting value		Setting value		Setting value	
		0	1	0	1	0	1	0	1	0	1
PIOR46	CRXD0	P11	P73	P11	P73	P11	P73	P11	P73	P11	P73
	CTXD0	P10	P72	P10	P72	P10	P72	P10	P72	P10	P72
PIOR45	LRXD1	P11	P107	P11	P107	P11	—	P11	—	P11	—
	LTXD1	P10	P106	P10	P106	P10	—	P10	—	P10	—
PIOR44	LRXD0	P14	P43	P14	P43	P14	P43	P14	P43	P14	—
	LTXD0	P13	P42	P13	P42	P13	P42	P13	P42	P13	—
PIOR43	SI11/ SDA11	P70	P152 ^{Note}	P70	P152 ^{Note}	P70	—	P70	—	P70	—
	SO11	P72	P151	P72	P151	P72	—	P72	—	P72	—
	SCL11/ SCK11	P71	P153 ^{Note}	P71	P153 ^{Note}	P71	—	P71	—	P71	—
	SS11	P73	P150	P73	P150	P73	—	P73	—	P73	—
PIOR42	SI10/ SDA10/ RXD1	P11	P75 ^{Note}	P11	P75 ^{Note}	P11	P75 ^{Note}	P11	P75 ^{Note}	P11	—
	SO10/ TXD1	P12	P74	P12	P74	P12	P74	P12	P74	P12	—
	SCL10/ SCK10	P10	P76 ^{Note}	P10	P76 ^{Note}	P10	P76 ^{Note}	P10	P76 ^{Note}	P10	—
	SS10	P54	P77	P54	P77	P54	P77	—	P77	—	—
PIOR41	SI01/ SDA01	P13	P53 ^{Note}	P13	P53 ^{Note}	P13	P53 ^{Note}	P13	P53 ^{Note}	P13	—
	SO01	P120	P51	P120	P51	P120	P51	P120	P51	P120	—
	SCL01/ SCK01	P14	P52 ^{Note}	P14	P52 ^{Note}	P14	P52 ^{Note}	P14	P52 ^{Note}	P14	—
	SS01	P125	P50	P125	P50	P125	P50	P125	P50	P125	—
PIOR40	SI00/ SDA00/ RXD0	P16	P61	P16	P61	P16	P61	P16	P61	P16	P61
	SO00/ TXD0	P15	P62	P15	P62	P15	P62	P15	P62	P15	P62
	SCL00/ SCK00	P17	P60	P17	P60	P17	P60	P17	P60	P17	P60
	SS00	P30	P63	P30	P63	P30	P63	P30	P63	P30	P63

Note The simplified IIC function (SDA and SCL) cannot be used when PIOR is 1.

Caution Set the bit the use of which is prohibited to 0.

4.3.14 Peripheral I/O redirection register 5 (PIOR5)

This register is used to specify whether to enable or disable the peripheral I/O redirect function.

PIOR5 enables or disables redirection of the external interrupt input and key interrupt input; that is, it specifies which I/O port is assigned to each external interrupt input pin or key interrupt input pin.

This register can be set by an 8-bit memory manipulation instruction.

Bits 7 to 4 and 1 are read-only because no functions are assigned to them. The other bits can be read or written to.

After reset cancellation, this register can always be read or written to.

Any reset source clears this register to 00H.

Figure 4-105. Format of Peripheral I/O Redirection Register 5 (PIOR5)

Address: F001BH After reset: 00H R/W

Symbol	7	6	5	4	3	2	1	0
PIOR5	0	0	0	0	PIOR53	PIOR52	0	PIOR50

Bit	Function	144-pin		100-pin		80-pin		64-pin		48-pin	
		Setting value		Setting value		Setting value		Setting value		Setting value	
		0	1	0	1	0	1	0	1	0	1
PIOR53	INTP3	P17	P50	P17	P50	P17	P50	P17	P50	P17	—
PIOR52	INTP2	P30	P31	P30	P31	P30	P31	P30	P31	P30	P31
PIOR50	KR7	P77	—	P77	—	P77	—	P77	P96	—	P92
	KR6	P76	—	P76	—	P76	—	P76	P95	—	P91
	KR5	P75	—	P75	—	P75	—	P75	P94	—	P90
	KR4	P74	—	P74	—	P74	—	P74	P93	—	P87
	KR3	P73	—	P73	—	P73	—	P73	P92	P73	P86
	KR2	P72	—	P72	—	P72	—	P72	P91	P72	P85
	KR1	P71	—	P71	—	P71	—	P71	P90	P71	P84
KR0	P70	—	P70	—	P70	—	P70	P87	P70	P83	

4.3.15 Peripheral I/O redirection register 6 (PIOR6)

This register is used to specify whether to enable or disable the peripheral I/O redirect function.

PIOR6 enables or disables redirection of the SNOOZE status output functions; that is, it specifies which I/O port is assigned to each SNOOZE status output pin.

This register can be set by an 8-bit memory manipulation instruction.

After reset cancellation, this register can always be read or written to.

Any reset source clears this register to 00H.

Figure 4-106. Format of Peripheral I/O Redirection Register 6 (PIOR6)

Address: F001CH After reset: 00H R/W

Symbol	7	6	5	4	3	2	1	0
PIOR6	PIOR67	PIOR66	PIOR65	PIOR64	PIOR63	PIOR62	PIOR61	PIOR60

Bit	Function	144-pin		100-pin		80-pin	
		Setting value		Setting value		Setting value	
		0	1	0	1	0	1
PIOR67	SNZOUT7	P73	P154	P73	P154	P73	—
PIOR66	SNZOUT6	P72	P155	P72	P155	P72	—
PIOR65	SNZOUT5	P71	P156	P71	P156	P71	—
PIOR64	SNZOUT4	P70	P157	P70	P157	P70	—
PIOR63	SNZOUT3	P12	P64	P12	P64	P12	P64
PIOR62	SNZOUT2	P41	P65	P41	P65	P41	P65
PIOR61	SNZOUT1	P125	P56	P125	P56	P125	P56
PIOR60	SNZOUT0	P30	P57	P30	P57	P30	P57

Caution The 64-, and 48-pin products do not have the PIOR6 register.

4.3.16 Peripheral I/O redirection register 7 (PIOR7)

This register is used to specify whether to enable or disable the peripheral I/O redirect function.

PIOR7 enables or disables redirection of the timer RD I/O functions; that is, it specifies which I/O port is assigned to each I/O pin of timer RD0.

This register can be set by an 8-bit memory manipulation instruction.

Bits 7 to 4 and 2 are read-only. The other bits can be read or written to.

After reset cancellation, this register can always be read or written to.

Any reset source clears this register to 00H.

Figure 4-107. Format of Peripheral I/O Redirection Register 7 (PIOR7)

Address: F001DH After reset: 00H R/W

Symbol	7	6	5	4	3	2	1	0
PIOR7	0	0	0	0	PIOR73	0	PIOR71	PIOR70

Bit	Function	144-pin		100-pin		80-pin		64-pin		48-pin	
		Setting value		Setting value		Setting value		Setting value		Setting value	
		0	1	0	1	0	1	0	1	0	1
PIOR73	TRDIOD0	P120	P12	P12	P120	P12	P120	P12	P120	P12	P12
PIOR71	TRDIOB0	P125	P11	P11	P125	P11	P125	P11	P125	P11	P11
PIOR70	TRDIOA0/ TRDCLK0	P13	P15	P15	P13	P15	P13	P15	P13	P15	P15

4.3.17 Peripheral I/O redirection register 8 (PIOR8)

This register is used to specify whether to enable or disable the peripheral I/O redirect function.

PIOR8 enables or disables redirection of the real-time clock correction clock (1 Hz) output function; that is, it specifies which I/O port is assigned to the real-time clock correction clock (1 Hz) output pin.

This register can be set by an 8-bit memory manipulation instruction.

Bits 7 to 1 are read-only. Bit 0 can be read or written to.

After reset cancellation, this register can always be read or written to.

Any reset source clears this register to 00H.

Figure 4-108. Format of Peripheral I/O Redirection Register 8 (PIOR8)

Address: F001EH After reset: 00H R/W

Symbol	7	6	5	4	3	2	1	0
PIOR8	0	0	0	0	0	0	0	PIOR80

Bit	Function	144-pin		100-pin	
		Setting value		Setting value	
		0	1	0	1
PIOR80	RTC1HZ	P15	P03	P15	P03

Caution The 80-, 64-, and 48-pin products do not have the PIOR8 register.

4.3.18 Peripheral I/O redirection register 9 (PIOR9)

This register is used to specify whether to enable or disable the peripheral I/O redirect function.

This register is used to specify whether to enable or disable the serial communication redirect functions.

PIOR9 enables or disables redirection of the serial communication functions; that is, it specifies which I/O port is assigned to each serial data I/O pin and clock I/O pin of serial array unit, serial data I/O pin of CAN, and serial I/O pin of IEBus.

This register can be set by an 8-bit memory manipulation instruction.

Bits 5 to 2 are read-only. Bits 7, 6, 1, and 0 can be read or written to.

After reset cancellation, this register can always be read or written to.

Reset signal generation clears this register to 00H.

Figure 4-109. Format of Peripheral I/O Redirection Register 9 (PIOR9)

Address: F001FH After reset: 00H R/W

Symbol	7	6	5	4	3	2	1	0
PIOR9	PIOR97	PIOR96	0	0	0	0	PIOR91	PIOR90

Bit	Function	144-pin		100-pin		80-pin		64-pin	
		Setting value		Setting value		Setting value		Setting value	
		0	1	0	1	0	1	0	1
PIOR97	I $\overline{\text{ERXD}}$	P60	P50	P60	P50	P60	P50	P60	P50
	I $\overline{\text{ETXD}}$	P61	P51	P61	P51	P61	P51	P61	P51
PIOR96	CRXD1	P60	P37	P60	—	P60	—	P60	—
	CTXD1	P61	P36	P61	—	P61	—	P61	—
PIOR91	S $\overline{\text{CK21}}$	P153	P24	P153	—	Use prohibited			
	SI21	P152	P25	P152	—				
	SO21	P151	P26	P151	—				
PIOR90	S $\overline{\text{CK20}}$	P00	P20	P00	—				
	SI20/RXD2	P156	P21	P156	—				
	SO20/TXD2	P157	P22	P157	—				

- Cautions**
1. The 48-pin product does not have the PIOR9 register.
 2. Use prohibited bits must be set to 0 (initial value).

4.3.19 Peripheral I/O redirection register 10 (PIOR10)

This register is used to specify whether to enable or disable the peripheral I/O redirect function.

PIOR10 enables or disables redirection of the timer array unit functions; that is, it specifies which I/O port is assigned to each input pin of timer array unit 2.

This register can be set by an 8-bit memory manipulation instruction.

After reset cancellation, this register can always be read or written to.

Reset signal generation clears this register to 00H.

Figure 4-110. Format of Peripheral I/O Redirection Register 10 (PIOR10)

Address: F0014H After reset: 00H R/W

Symbol	7	6	5	4	3	2	1	0
PIOR10	PIOR107	PIOR106	PIOR105	PIOR104	PIOR103	PIOR102	PIOR101	PIOR100

Bit	Function	144-pin	
		Setting value	
		0	1
PIOR107	TI27	P117	P147
PIOR106	TI26	P116	P146
PIOR105	TI25	P115	P145
PIOR104	TI24	P114	P144
PIOR103	TI23	P113	P143
PIOR102	TI22	P112	P142
PIOR101	TI21	P111	P141
PIOR100	TI20	P110	P140

Caution The 100-, 80-, 64-, and 48-pin products do not have the PIOR10 register.

4.3.20 Peripheral I/O redirection register 11 (PIOR11)

This register is used to specify whether to enable or disable the peripheral I/O redirect function.

PIOR11 enables or disables redirection of the timer array unit functions; that is, it specifies which I/O port is assigned to each output pin of timer array unit 2.

This register can be set by an 8-bit memory manipulation instruction.

After reset cancellation, this register can always be read or written to.

Reset signal generation clears this register to 00H.

Figure 4-111. Format of Peripheral I/O Redirection Register 11 (PIOR11)

Address: F0015H After reset: 00H R/W

Symbol	7	6	5	4	3	2	1	0
PIOR11	PIOR117	PIOR116	PIOR115	PIOR114	PIOR113	PIOR112	PIOR111	PIOR110

Bit	Function	144-pin	
		Setting value	
		0	1
PIOR117	TO27	P117	P147
PIOR116	TO26	P116	P146
PIOR115	TO25	P115	P145
PIOR114	TO24	P114	P144
PIOR113	TO23	P113	P143
PIOR112	TO22	P112	P142
PIOR111	TO21	P111	P141
PIOR110	TO20	P110	P140

Caution The 100-, 80-, 64-, and 48-pin products do not have the PIOR11 register.

4.3.21 Port output slew rate register (PSRSEL)

This register is used to select the slew rate for the port output.
 It can be set by a 1-bit or 8-bit memory manipulation instruction.
 Any reset source clears this register to 00H.

Caution The slew rate of target pins including the alternate functions is changed.

Figure 4-112. Format of Port Output Slew Rate Register (PSRSEL)

Address: F0220H After reset: 00H R/W

Symbol	7	6	5	4	3	2	1	0
PSRSEL	0	0	PSR140	PSR14	PSR120	PSR30	PSR12	PSR10

PSR140	Control target output port: P140/PCLBUZ0/(TO20)
0	Normal slew rate
1	Special slew rate (slower than normal slew rate)

PSR14	Control target output port: P14/SCK01/SCL01/TO06/TRDI0C0
0	Normal slew rate
1	Special slew rate (slower than normal slew rate)

PSR120	Control target output port: P120/SO01/TO07/TRDI0D0
0	Normal slew rate
1	Special slew rate (slower than normal slew rate)

PSR30	Control target output port: P30/TO01/TRDI0D1/SNZOUT0
0	Normal slew rate
1	Special slew rate (slower than normal slew rate)

PSR12	Control target output port: P12/SO10/TO11/(TRDI0D0)/TXD1/SNZOUT3
0	Normal slew rate
1	Special slew rate (slower than normal slew rate)

PSR10	Control target output port: P10/SCK10/TO13/TRJO0/SCL10/LTXD1/CTXD0
0	Normal slew rate
1	Special slew rate (slower than normal slew rate)

4.3.22 SNOOZE status output control register 0 (PSNZCNT0)

This register is used to output signals indicating that the SNOOZE mode has been entered through external pins. It can be set by a 1-bit or 8-bit memory manipulation instruction.

Bits 7, 6, 3, and 2 are read-only because no functions are assigned to them. The other bits can be read or written to. Any reset source clears this register to 00H.

- Cautions**
1. Set the target port pin to the output mode and the output latch to 0 before using the SNOOZE status output function.
 2. Stop the output from peripheral functions assigned to output-enabled port pins and make the register settings at the time of SNZOUT status output.
 3. Set WUTMMCK0 to 1 at the time of SNZOUT status output.

Figure 4-113. Format of SNOOZE Status Output Control Register 0 (PSNZCNT0)

Address: F0222H After reset: 00H R/W

Symbol	7	6	5	4	3	2	1	0
PSNZCNT0	0	0	SNZACT1	OUTEN1	0	0	SNZACT0	OUTEN0

SNZACT1	SNZOUT1 active level
0	When PIOR61 = 0: Active level of SNOOZE status output to P125 is "H". When PIOR61 = 1: Active level of SNOOZE status output to P56 is "H" (only in 144-pin, 100-pin or 80-pin products).
1	When PIOR61 = 0: Active level of SNOOZE status output to P125 is "L". When PIOR61 = 1: Active level of SNOOZE status output to P56 is "L" (only in 144-pin, 100-pin or 80-pin products).

OUTEN1	SNZOUT1 enable/disable
0	When PIOR61 = 0: SNOOZE status output to P125 is disabled. When PIOR61 = 1: SNOOZE status output to P56 is disabled (only in 144-pin, 100-pin or 80-pin products).
1	When PIOR61 = 0: SNOOZE status output to P125 is enabled. When PIOR61 = 1: SNOOZE status output to P56 is enabled (only in 144-pin, 100-pin or 80-pin products).

SNZACT0	SNZOUT0 active level
0	When PIOR60 = 0: Active level of SNOOZE status output to P30 is "H". When PIOR60 = 1: Active level of SNOOZE status output to P57 is "H" (only in 144-pin, 100-pin or 80-pin products).
1	When PIOR60 = 0: Active level of SNOOZE status output to P30 is "L". When PIOR60 = 1: Active level of SNOOZE status output to P57 is "L" (only in 144-pin, 100-pin or 80-pin products).

OUTEN0	SNZOUT0 enable/disable
0	When PIOR60 = 0: SNOOZE status output to P30 is disabled. When PIOR60 = 1: SNOOZE status output to P57 is disabled (only in 144-pin, 100-pin or 80-pin products).
1	When PIOR60 = 0: SNOOZE status output to P30 is enabled. When PIOR60 = 1: SNOOZE status output to P57 is enabled (only in 144-pin, 100-pin or 80-pin products).

4.3.23 SNOOZE status output control register 1 (PSNZCNT1)

This register is used to output signals indicating that the SNOOZE mode has been entered through external pins. It can be set by a 1-bit or 8-bit memory manipulation instruction. Bits 7, 6, 3, and 2 are read-only because no functions are assigned to them. The other bits can be read or written to. Any reset source clears this register to 00H.

- Cautions**
1. Set the target port pin to the output mode and the output latch to 0 before using the SNOOZE status output control register.
 2. Stop the output from peripheral functions assigned to output-enabled port pins and make the register settings at the time of SNZOUT status output.
 3. Set WUTMMCK0 to 1 at the time of SNZOUT status output.

Figure 4-114. Format of SNOOZE Status Output Control Register 1 (PSNZCNT1)

Address: F0223H After reset: 00H R/W

Symbol	7	6	5	4	3	2	1	0
PSNZCNT1	0	0	SNZACT3	OUTEN3	0	0	SNZACT2	OUTEN2

SNZACT3	SNZOUT3 active level
0	When PIOR63 = 0: Active level of SNOOZE status output to P12 is "H". When PIOR63 = 1: Active level of SNOOZE status output to P64 is "H" (only in 144-pin, 100-pin or 80-pin products).
1	When PIOR63 = 0: Active level of SNOOZE status output to P12 is "L". When PIOR63 = 1: Active level of SNOOZE status output to P64 is "L" (only in 144-pin, 100-pin or 80-pin products).

OUTEN3	SNZOUT3 enable/disable
0	When PIOR63 = 0: SNOOZE status output to P12 is disabled. When PIOR63 = 1: SNOOZE status output to P64 is disabled (only in 144-pin, 100-pin or 80-pin products).
1	When PIOR63 = 0: SNOOZE status output to P12 is enabled. When PIOR63 = 1: SNOOZE status output to P64 is enabled (only in 144-pin, 100-pin or 80-pin products).

SNZACT2	SNZOUT2 active level
0	When PIOR62 = 0: Active level of SNOOZE status output to P41 is "H". When PIOR62 = 1: Active level of SNOOZE status output to P65 is "H" (only in 144-pin, 100-pin or 80-pin products).
1	When PIOR62 = 0: Active level of SNOOZE status output to P41 is "L". When PIOR62 = 1: Active level of SNOOZE status output to P65 is "L" (only in 144-pin, 100-pin or 80-pin products).

OUTEN2	SNZOUT2 enable/disable
0	When PIOR62 = 0: SNOOZE status output to P41 is disabled. When PIOR62 = 1: SNOOZE status output to P65 is disabled (only in 144-pin, 100-pin or 80-pin products).
1	When PIOR62 = 0: SNOOZE status output to P41 is enabled. When PIOR62 = 1: SNOOZE status output to P65 is enabled (only in 144-pin, 100-pin or 80-pin products).

4.3.24 SNOOZE status output control register 2 (PSNZCNT2)

This register is used to output signals indicating that the SNOOZE mode has been entered through external pins. It can be set by a 1-bit or 8-bit memory manipulation instruction. Bits 7, 6, 3, and 2 are read-only because no functions are assigned to them. The other bits can be read or written to. Any reset source clears this register to 00H.

- Cautions**
1. Set the target port pin to the output mode and the output latch to 0 before using the SNOOZE status output control register.
 2. Stop the output from peripheral functions assigned to output-enabled port pins and make the register settings at the time of SNZOUT status output.
 3. Set WUTMMCK0 to 1 at the time of SNZOUT status output.

Figure 4-115. Format of SNOOZE Status Output Control Register 2 (PSNZCNT2)

Address: F0224H After reset: 00H R/W

Symbol	7	6	5	4	3	2	1	0
PSNZCNT2	0	0	SNZACT5	OUTEN5	0	0	SNZACT4	OUTEN4

SNZACT5	SNZOUT5 active level
0	When PIOR65 = 0: Active level of SNOOZE status output to P71 is "H". When PIOR65 = 1: Active level of SNOOZE status output to P156 is "H" (only in 144-pin or 100-pin products).
1	When PIOR65 = 0: Active level of SNOOZE status output to P71 is "L". When PIOR65 = 1: Active level of SNOOZE status output to P156 is "L" (only in 144-pin or 100-pin products).

OUTEN5	SNZOUT5 enable/disable
0	When PIOR65 = 0: SNOOZE status output to P71 is disabled. When PIOR65 = 1: SNOOZE status output to P156 is disabled (only in 144-pin or 100-pin products).
1	When PIOR65 = 0: SNOOZE status output to P71 is enabled. When PIOR65 = 1: SNOOZE status output to P156 is enabled (only in 144-pin or 100-pin products).

SNZACT4	SNZOUT4 active level
0	When PIOR64 = 0: Active level of SNOOZE status output to P70 is "H". When PIOR64 = 1: Active level of SNOOZE status output to P157 is "H" (only in 144-pin or 100-pin products).
1	When PIOR64 = 0: Active level of SNOOZE status output to P70 is "L". When PIOR64 = 1: Active level of SNOOZE status output to P157 is "L" (only in 144-pin or 100-pin products).

OUTEN4	SNZOUT4 enable/disable
0	When PIOR64 = 0: SNOOZE status output to P70 is disabled. When PIOR64 = 1: SNOOZE status output to P157 is disabled (only in 144-pin or 100-pin products).
1	When PIOR64 = 0: SNOOZE status output to P70 is enabled. When PIOR64 = 1: SNOOZE status output to P157 is enabled (only in 144-pin or 100-pin products).

4.3.25 SNOOZE status output control register 3 (PSNZCNT3)

This register is used to output signals indicating that the SNOOZE mode has been entered through external pins. It can be set by a 1-bit or 8-bit memory manipulation instruction. Bits 7, 6, 3, and 2 are read-only because no functions are assigned to them. The other bits can be read or written to. Any reset source clears this register to 00H.

- Cautions**
1. Set the target port pin to the output mode and the output latch to 0 before using the SNOOZE status output control register.
 2. Stop the output from peripheral functions assigned to output-enabled port pins and make the register settings at the time of SNZOUT status output.
 3. Set WUTMMCK0 to 1 at the time of SNZOUT status output.

Figure 4-116. Format of SNOOZE Status Output Control Register 3 (PSNZCNT3)

Address: F0225H After reset: 00H R/W

Symbol	7	6	5	4	3	2	1	0
PSNZCNT3	0	0	SNZACT7	OUTEN7	0	0	SNZACT6	OUTEN6

SNZACT7	SNZOUT7 active level
0	When PIOR67 = 0: Active level of SNOOZE status output to P73 is "H". When PIOR67 = 1: Active level of SNOOZE status output to P154 is "H" (only in 144-pin or 100-pin products).
1	When PIOR67 = 0: Active level of SNOOZE status output to P73 is "L". When PIOR67 = 1: Active level of SNOOZE status output to P154 is "L" (only in 144-pin or 100-pin products).

OUTEN7	SNZOUT7 enable/disable
0	When PIOR67 = 0: SNOOZE status output to P73 is disabled. When PIOR67 = 1: SNOOZE status output to P154 is disabled (only in 144-pin or 100-pin products).
1	When PIOR67 = 0: SNOOZE status output to P73 is enabled. When PIOR67 = 1: SNOOZE status output to P154 is enabled (only in 144-pin or 100-pin products).

SNZACT6	SNZOUT6 active level
0	When PIOR66 = 0: Active level of SNOOZE status output to P72 is "H". When PIOR66 = 1: Active level of SNOOZE status output to P155 is "H" (only in 144-pin, 100-pin products).
1	When PIOR66 = 0: Active level of SNOOZE status output to P72 is "L". When PIOR66 = 1: Active level of SNOOZE status output to P155 is "L" (only in 144-pin or 100-pin products).

OUTEN6	SNZOUT6 enable/disable
0	When PIOR66 = 0: SNOOZE status output to P72 is disabled. When PIOR66 = 1: SNOOZE status output to P155 is disabled (only in 144-pin or 100-pin products).
1	When PIOR66 = 0: SNOOZE status output to P72 is enabled. When PIOR66 = 1: SNOOZE status output to P155 is enabled (only in 144-pin or 100-pin products).

4.3.26 Port mode select register (PMS)

This register is provided to support IEC60730.

It selects whether to read the output latch value or the pin output level when the port is set to output mode.

This register can be set by a 1-bit or 8-bit memory manipulation instruction.

Any reset source clears this register to 00H.

Figure 4-117. Port Mode Select Register (PMS)

Address: F0077H After reset: 00H R/W

Symbol	7	6	5	4	3	2	1	0
PMS	0	0	0	0	0	0	0	PMS0

PMS0	Data read from Pmn when PMmn = 0 (m = 0 to 16; n = 0 to 7)
0	Initial setting. When PMmn = 0 (output mode), the value of Pmn (output latch) is read.
1	When PMmn = 0 (output mode), the pin level is read.

PMmn	PMS0	Data read from Pmn
0	0	Value of the Pmn register (output latch)
0	1	Pin output level
1	0	Pin input level
1	1	Pin input level

4.4 Port Function Operations

Port operations differ depending on whether the input or output mode is set, as shown below.

4.4.1 Writing to I/O port

(1) Output mode

A value is written to the output latch by a transfer instruction, and the output latch contents are output from the pin. Once data is written to the output latch, it is retained until data is written to the output latch again. The data of the output latch is cleared when a reset signal is generated.

(2) Input mode

A value is written to the output latch by a transfer instruction, but since the output buffer is off, the pin status does not change. Accordingly, data can be written in byte units to a port having both input and output pins. Once data is written to the output latch, it is retained until data is written to the output latch again. The data of the output latch is cleared when a reset signal is generated.

4.4.2 Reading from I/O port

(1) Output mode

The output latch contents are read by a transfer instruction. The output latch contents do not change. When the PMS0 bit in the port mode select register is set to 1, the pin level can be read from Pxx.

(2) Input mode

The pin status is read by a transfer instruction. The output latch contents do not change.

4.4.3 Operations on I/O port

(1) Output mode

An operation is performed on the output latch contents, and the result is written to the output latch. The output latch contents are output from the pins. Once data is written to the output latch, it is retained until data is written to the output latch again. The data of the output latch is cleared when a reset signal is generated.

(2) Input mode

The pin level is read and an operation is performed on its contents. The result of the operation is written to the output latch, but since the output buffer is off, the pin status does not change. Accordingly, data can be written in byte units to a port having both input and output pins. The data of the output latch is cleared when a reset signal is generated.

4.4.4 Connecting to external device with different potential (3 V)

It is possible to connect to an external device with a different potential (3 V) by changing EV_{DD} to accord with the power supply of the connected device. In products in which EV_{DD} cannot be specified independently or if EV_{DD} cannot be changed to accord with the power supply of the connected device for some reason, I/O connection with an external device operating on 3 V when the system is operating on $V_{DD} = 4.0\text{ V}$ to 5.5 V is still possible via the serial interface by using ports 1, 6, 7, and 12.

Regarding inputs, CMOS/TTL switching is possible on a bit-by-bit basis by the port input mode registers 1 and 7 (PIM1, PIM7).

Moreover, regarding outputs, different potentials can be supported by switching the output buffer to the N-ch open-drain (EV_{DD} tolerance) by the port output mode registers 1, 6, 7, and 12 (POM1, POM6, POM7, and POM12).

(1) Setting procedure when using I/O pins of UART0, UART1, CSI00, CSI01, CSI10, and CSI11 functions

(a) Use as 3 V input port

<1> If pull-up is needed, externally pull up the pin to be used (on-chip pull-up resistor cannot be used).

In case of UART0:	P16
In case of UART1:	P11
In case of CSI00:	P16, P17
In case of CSI01:	P13, P14
In case of CSI10:	P11, P10
In case of CSI11:	P70, P71

<2> After reset release, the port mode is the input mode (Hi-Z).

<3> Set the corresponding bit of the PIM1 and PIM7 registers to 1 to switch to the TTL input buffer.

<4> V_{IH}/V_{IL} operates on 3 V operating voltage.

(b) Use as 3 V output port

<1> Pull up externally the pin to be used (on-chip pull-up resistor cannot be used).

In case of UART0:	P15
In case of UART1:	P12
In case of CSI00:	P15, P17
In case of CSI01:	P14, P120
In case of CSI10:	P10, P12
In case of CSI11:	P71, P72

<2> After reset release, the port mode is the input mode (Hi-Z).

<3> Set the output latch of the corresponding port to 1.

<4> Set the corresponding bit of the POM1, POM6, POM7, and POM12 registers to 1 to set the N-ch open-drain output (EV_{DD} tolerance) mode.

<5> Set the output mode by manipulating the PM1, PM6, PM7, and PM12 registers.

At this time, the output data is high level, so the pin is in the Hi-Z state.

<6> Communication is started by setting the serial array unit.

(2) Setting procedure when using I/O pins of simplified IIC00, IIC01, IIC10, and IIC11 functions

<1> Externally pull up the pin to be used (on-chip pull-up resistor cannot be used).

In case of simplified IIC00:	P16, P17
In case of simplified IIC01:	P13, P14
In case of simplified IIC10:	P10, P11
In case of simplified IIC11:	P70, P71

<2> After reset release, the port mode is the input mode (Hi-Z).

<3> Set the output latch of the corresponding port to 1.

<4> Set the corresponding bit of the POM1 and POM7 registers to 1 to set the N-ch open-drain output (EV_{DD} tolerance) mode.

<5> Set the corresponding bit of the PIM1 and PIM7 registers to 1 to switch to the TTL input buffer.

<6> Set the corresponding bit of the PM1 and PM7 registers to the output mode (data I/O is possible in the output mode).

At this time, the output data is high level, so the pin is in the Hi-Z state.

<7> Enable the operation of the serial array unit and set the mode to the simplified IIC mode.

4.5 Settings of Port Mode Register and Output Latch When Using Alternate Function

To use the alternate function of a port pin, set the port mode register, and output latch as shown in Table 4-31.

Table 4-31. Settings of Port Mode Register and Output Latch When Using Alternate Function (1/10)

Pin Name	Alternate Function		PIORXX	POMXX	PMCXX	PMXX	PXX	PIMXX	PITHLXX
	Function Name	I/O							
P00	INTP9	Input	0	–	–	1	x	–	0/1
	SCK20	Input	0	–	–	1	x	–	0/1
		Output	0	–	–	0	1	–	x
	(TI05)	Input	1	–	–	1	x	–	0/1
(TO05)	Output	1	–	–	0	0	–	x	
P01	(TI04)	Input	1	–	–	1	x	–	–
	(TO04)	Output	1	–	–	0	0	–	–
P02	(TI06)	Input	1	–	–	1	x	–	–
	(TO06)	Output	1	–	–	0	0	–	–
P03	(RTC1HZ)	Output	1	–	–	0	0	–	–
P04	INTP15	Input	0	–	–	1	x	–	–
P10	TI13	Input	0	x	–	1	x	0	0/1
	TO13	Output	0	0	–	0	0	x	x
	TRJ00	Output	x	0	–	0	0	x	x
	SCK10	Input	0	x	–	1	x	0/1	0/1
		Output	0	0/1	–	0	1	x	x
	SCL10	Output	0	0/1	–	0	1	x	x
	LTXD1	Output	0	0	–	0	1	x	x
CTXD0	Output	0	0	–	0	1	x	x	
P11	TI12	Input	0	x	–	1	x	0	0/1
	SI10	Input	0	x	–	1	x	0/1	0/1
	TO12	Output	0	0	–	0	0	x	x
	SDA10	I/O	0	1	–	0	1	0/1	0/1
	RXD1	Input	0	x	–	1	x	0/1	0/1
	LRXD1	Input	0	x	–	1	x	0	0/1
	CRXD0	Input	0	x	–	1	x	0	0/1
	(TRDI0B0)	Input	1	x	–	1	x	0	0/1
Output		1	0	–	0	0	x	x	

Remarks 1. x: Don't care

PIORxx: Peripheral I/O redirection register

POMxx: Port output mode register

PMCxx: Port mode control register

PMxx: Port mode register

Pxx: Port output latch

- The relationship between pins and their alternate functions shown in this table indicates the relationship when a 144-pin product is used. In other products, alternate functions might be assigned to different pins, but even in this case, the PIORxx, POMxx, PMCxx, PMxx, and Pxx set in the same way.
- Functions in parentheses in the above table can be assigned via settings in the peripheral I/O redirection register (PIOR).

Table 4-31. Settings of Port Mode Register and Output Latch When Using Alternate Function (2/10)

Pin Name	Alternate Function		PIORXX	POMXX	PMCXX	PMXX	PXX	PIMXX	PITHLXX
	Function Name	I/O							
P12	TI11	Input	0	x	–	1	x	–	–
	INTP5	Input	x	x	–	1	x	–	–
	TO11	Output	0	0	–	0	0	–	–
	SO10	Output	0	0/1	–	0	1	–	–
	TXD1	Output	0	0/1	–	0	1	–	–
	SNZOUT3	Output	0	0	–	0	0	–	–
	(TRDIOD0)	Input	1	x	–	1	x	–	–
	Output	1	0	–	0	0	–	–	
P13	TI04	Input	0	x	–	1	x	0	0/1
	SI01	Input	0	x	–	1	x	0/1	0/1
	TRDIOA0	Input	0	x	–	1	x	0	0/1
		Output	0	0	–	0	0	x	x
	TRDCLK0	Input	0	x	–	1	x	0	0/1
	TO04	Output	0	0	–	0	0	x	x
	SDA01	I/O	0	1	–	0	1	0/1	0/1
LTXD0	Output	0	0	–	0	1	x	x	
P14	TI06	Input	0	x	–	1	x	0	0/1
	TO06	Output	0	0	–	0	0	x	x
	TRDIOC0	Input	x	x	–	1	x	0	0/1
		Output	x	0	–	0	0	x	x
	SCK01	Input	0	x	–	1	x	0/1	0/1
		Output	0	0/1	–	0	1	x	x
	SCL01	Output	0	0/1	–	0	1	x	x
LRXD0	Input	0	x	–	1	x	0	0/1	
P15	TI05	Input	0	x	–	1	x	–	–
	TO05	Output	0	0	–	0	0	–	–
	TRDIOA1	Input	x	x	–	1	x	–	–
		Output	x	0	–	0	0	–	–
	SO00	Output	0	0/1	–	0	1	–	–
	TXD0	Output	0	0/1	–	0	1	–	–
	RTC1HZ	Output	0	0	–	0	0	–	–
	(TRDIOA0)	Input	1	x	–	1	x	–	–
		Output	1	0	–	0	0	–	–
(TRDCLK0)	Input	1	x	–	1	x	–	–	

Remarks 1. x: Don't care

PIORxx: Peripheral I/O redirection register

POMxx: Port output mode register

PMCxx: Port mode control register

PMxx: Port mode register

Pxx: Port output latch

- The relationship between pins and their alternate functions shown in this table indicates the relationship when a 144-pin product is used. In other products, alternate functions might be assigned to different pins, but even in this case, the PIORxx, POMxx, PMCxx, PMxx, and Pxx set in the same way.
- Functions in parentheses in the above table can be assigned via settings in the peripheral I/O redirection register (PIOR).

Table 4-31. Settings of Port Mode Register and Output Latch When Using Alternate Function (3/10)

Pin Name	Alternate Function		PIORXX	POMXX	PMCXX	PMXX	PXX	PIMXX	PITHLXX
	Function Name	I/O							
P16	TI02	Input	0	x	–	1	x	0	0/1
	SI00	Input	0	x	–	1	x	0/1	0/1
	TRDIOC1	Input	x	x	–	1	x	0	0/1
		Output	x	0	–	0	0	x	x
	TO02	Output	0	0	–	0	0	x	x
	SDA00	I/O	0	1	–	0	1	0/1	0/1
	RXD0	Input	0	x	–	1	x	0/1	0/1
P17	TI00	Input	0	x	–	1	x	0	0/1
	INTP3	Input	0	x	–	1	x	0	0/1
	TRDIOB1	Input	x	x	–	1	x	0	0/1
		Output	x	0	–	0	0	x	x
	SCK00	Input	0	x	–	1	x	0/1	0/1
		Output	0	0/1	–	0	1	x	x
	SCL00	Output	0	0/1	–	0	1	x	x
TO00	Output	0	0	–	0	0	x	x	
P20	(SCK20)	Input	1	–	–	1	x	–	0/1
		Output	1	–	–	0	1	–	x
P21	(SI20)	Input	1	–	–	1	x	–	0/1
	(RXD2)	Input	1	–	–	1	x	–	0/1
P22	(SO20)	Output	1	–	–	0	1	–	–
	(TXD2)	Output	1	–	–	0	1	–	–
P24	(SCK21)	Input	1	–	–	1	x	–	0/1
		Output	1	–	–	0	1	–	x
P25	(SI21)	Input	1	–	–	1	x	–	0/1
P26	(SO21)	Output	1	–	–	0	1	–	–
P30	TI01	Input	0	–	–	1	x	0	0/1
	INTP2	Input	0	–	–	1	x	0	0/1
	TRDIOD1	Input	x	–	–	1	x	0	0/1
		Output	x	–	–	0	0	x	x
	SSI00	Input	0	–	–	1	x	0/1	0/1
	TO01	Output	0	–	–	0	0	x	x
	SNZOUT0	Output	0	–	–	0	0	x	x

Remarks 1. x: Don't care

PIORxx: Peripheral I/O redirection register

POMxx: Port output mode register

PMCxx: Port mode control register

PMxx: Port mode register

Pxx: Port output latch

2. The relationship between pins and their alternate functions shown in this table indicates the relationship when a 144-pin product is used. In other products, alternate functions might be assigned to different pins, but even in this case, the PIORxx, POMxx, PMCxx, PMxx, and Pxx set in the same way.

3. Functions in parentheses in the above table can be assigned via settings in the peripheral I/O redirection register (PIOR).

Table 4-31. Settings of Port Mode Register and Output Latch When Using Alternate Function (4/10)

Pin Name	Alternate Function		PIORXX	POMXX	PMCXX	PMXX	PXX	PIMXX	PITHLXX
	Function Name	I/O							
P31	TI14	Input	0	–	–	1	x	–	–
	TO14	Output	0	–	–	0	0	–	–
	STOPST	Output	x	–	–	0	0	–	–
	(INTP2)	Input	1	–	–	1	x	–	–
P32	TI16	Input	0	–	–	1	x	–	–
	INTP7	Input	0	–	–	1	x	–	–
	TO16	Output	0	–	–	0	0	–	–
P33	ANI0	Input	x	–	–	1	x	–	–
	AV _{REFP}	Input	x	–	–	1	x	–	–
P34	ANI1	Input	x	–	–	1	x	–	–
	AV _{REFM}	Input	x	–	–	1	x	–	–
P36	(CTXD1)	Output	1	–	–	0	1	–	–
P37	(CRXD1)	Input	1	–	–	1	x	–	0/1
P40	TOOL0	I/O	x	–	–	x	x	–	–
P41	TI10	Input	0	–	–	1	x	–	–
	TO10	Output	0	–	–	0	0	–	–
	TRJIO0	Input	x	–	–	1	x	–	–
		Output	x	–	–	0	0	–	–
	VCOOUT0	Output	x	–	–	0	0	–	–
	SNZOUT2	Output	0	–	–	0	0	–	–
P42	(LTXD0)	Output	1	–	–	0	1	–	–
P43	(LRXD0)	Input	1	–	–	1	x	–	0/1
P44	(TI07)	Input	1	–	–	1	x	–	–
	(TO07)	Output	1	–	–	0	0	–	–
P45	(TI10)	Input	1	–	–	1	x	–	–
	(TO10)	Output	1	–	–	0	0	–	–
P46	(TI12)	Input	1	–	–	1	x	–	–
	(TO12)	Output	1	–	–	0	0	–	–
P47	INTP13	Input	x	–	–	1	x	–	–
P50	(SSI01)	Input	1	–	–	1	x	–	0/1
	(INTP3)	Input	1	–	–	1	x	–	0/1
	(IERXD)	Input	1	–	–	1	x	–	0/1

Remarks 1. x: Don't care

PIORxx: Peripheral I/O redirection register

POMxx: Port output mode register

PMCxx: Port mode control register

PMxx: Port mode register

Pxx: Port output latch

- The relationship between pins and their alternate functions shown in this table indicates the relationship when a 144-pin product is used. In other products, alternate functions might be assigned to different pins, but even in this case, the PIORxx, POMxx, PMCxx, PMxx, and Pxx set in the same way.
- Functions in parentheses in the above table can be assigned via settings in the peripheral I/O redirection register (PIOR).

Table 4-31. Settings of Port Mode Register and Output Latch When Using Alternate Function (5/10)

Pin Name	Alternate Function		PIORxx	POMxx	PMCxx	PMxx	Pxx	PIMxx	PITHLxx
	Function Name	I/O							
P51	INTP11	Input	x	–	–	1	x	–	–
	(SO01)	Output	1	–	–	0	1	–	–
	(IETXD)	Output	1	–	–	0	0	–	–
P52	(SCK01)	Input	1	–	–	1	x	–	0/1
		Output	1	–	–	0	1	–	x
	(STOPST) ^{Note}	Output	x	–	–	0	0	–	x
P53	INTP10	Input	x	–	–	1	x	–	0/1
	(SI01)	Input	1	–	–	1	x	–	0/1
P54	(SSI10)	Input	0	–	–	1	x	0/1	0/1
	(TI11)	Input	1	–	–	1	x	0	0/1
	(TO11)	Output	1	–	–	0	0	x	x
P55	(TI13)	Input	1	–	–	1	x	–	–
	(TO13)	Output	1	–	–	0	0	–	–
P56	(TI15)	Input	1	–	–	1	x	–	–
	(TO15)	Output	1	–	–	0	0	–	–
	(SNZOUT1)	Output	1	–	–	0	0	–	–
P57	(TI17)	Input	1	–	–	1	x	–	–
	(TO17)	Output	1	–	–	0	0	–	–
	(SNZOUT0)	Output	1	–	–	0	0	–	–
P60	CRXD1	Input	0	x	–	1	x	–	0/1
	(IERXD)	Input	0	x	–	1	x	–	0/1
	(SCK00)	Input	1	x	–	1	x	–	0/1
		Output	1	0	–	0	1	–	x
	(SCL00)	Output	1	0/1	–	0	1	–	x
P61	CTXD1	Output	0	0	–	0	1	–	x
	(IETXD)	Output	0	0	–	0	0	–	x
	(SI00)	Input	1	x	–	1	x	–	0/1
	(SDA00)	I/O	1	1	–	0	1	–	0/1
	(RXD0)	Input	1	x	–	1	x	–	0/1
P62	SCLA0	I/O	x	1	–	0	0	0/1	0/1
	(SO00)	Output	1	0	–	0	1	x	x
	(TXD0)	Output	1	0	–	0	1	x	x
P63	SDAA0	I/O	x	1	–	0	0	0/1	0/1
	(SSI00)	Input	1	x	–	1	x	0	0/1

Note The STOPST function can be assigned via settings in the STOP status output control register (STPSTC).

Remarks 1. x: Don't care

PIORxx: Peripheral I/O redirection register

POMxx: Port output mode register

PMCxx: Port mode control register

PMxx: Port mode register

Pxx: Port output latch

- The relationship between pins and their alternate functions shown in this table indicates the relationship when a 144-pin product is used. In other products, alternate functions might be assigned to different pins, but even in this case, the PIORxx, POMxx, PMCxx, PMxx, and Pxx set in the same way.
- Functions in parentheses in the above table can be assigned via settings in the peripheral I/O redirection register (PIOR).

Table 4-31. Settings of Port Mode Register and Output Latch When Using Alternate Function (6/10)

Pin Name	Alternate Function		PIORXX	POMXX	PMCXX	PMXX	PXX	PIMXX	PITHLXX
	Function Name	I/O							
P64	(TI14)	Input	1	–	–	1	x	–	–
	(TO14)	Output	1	–	–	0	0	–	–
	(SNZOUT3)	Output	1	–	–	0	0	–	–
P65	(TI16)	Input	1	–	–	1	x	–	–
	(TO16)	Output	1	–	–	0	0	–	–
	(SNZOUT2)	Output	1	–	–	0	0	–	–
P66	(TI00)	Input	1	–	–	1	x	–	–
	(TO00)	Output	1	–	–	0	0	–	–
P67	(TI02)	Input	1	–	–	1	x	–	–
	(TO02)	Output	1	–	–	0	0	–	–
P70	ANI26	Input	x	x	1	1	x	x	x
	TI15	Input	0	x	0	1	x	0	0/1
	SI11	Input	0	x	0	1	x	0/1	0/1
	INTP8	Input	x	x	0	1	x	0	0/1
	TO15	Output	0	0	0	0	0	x	x
	KR0	Input	0	x	0	1	x	0	0/1
	SDA11	I/O	0	1	0	0	1	0/1	0/1
	SNZOUT4	Output	0	0	0	0	0	x	x
P71	ANI27	Input	x	x	1	1	x	x	x
	TI17	Input	0	x	0	1	x	0	0/1
	INTP6	Input	x	x	0	1	x	0	0/1
	TO17	Output	0	0	0	0	0	x	x
	KR1	Input	0	x	0	1	x	0	0/1
	SCK11	Input	0	x	0	1	x	0/1	0/1
		Output	0	0/1	0	0	1	x	x
	SCL11	Output	0	0/1	0	0	1	x	x
SNZOUT5	Output	0	0	0	0	0	x	x	
P72	ANI28	Input	x	x	1	1	x	–	–
	KR2	Input	0	x	0	1	x	–	–
	SO11	Output	0	0/1	0	0	1	–	–
	SNZOUT6	Output	0	0	0	0	0	–	–
	(CTXD0)	Output	1	0	0	0	1	–	–

Remarks 1. x: Don't care

PIORxx: Peripheral I/O redirection register

POMxx: Port output mode register

PMCxx: Port mode control register

PMxx: Port mode register

Pxx: Port output latch

- The relationship between pins and their alternate functions shown in this table indicates the relationship when a 144-pin product is used. In other products, alternate functions might be assigned to different pins, but even in this case, the PIORxx, POMxx, PMCxx, PMxx, and Pxx set in the same way.
- Functions in parentheses in the above table can be assigned via settings in the peripheral I/O redirection register (PIOR).

Table 4-31. Settings of Port Mode Register and Output Latch When Using Alternate Function (7/10)

Pin Name	Alternate Function		PIORXX	POMXX	PMCXX	PMXX	PXX	PIMXX	PITHLXX
	Function Name	I/O							
P73	ANI29	Input	x	–	1	1	x	x	x
	KR3	Input	0	–	0	1	x	0	0/1
	SSI11	Input	0	–	0	1	x	0/1	0/1
	SNZOUT7	Output	0	–	0	0	0	x	x
	(CRXD0)	Input	1	–	0	1	x	0	0/1
P74	ANI30	Input	x	–	1	1	x	–	–
	KR4	Input	0	–	0	1	x	–	–
	(SO10)	Output	1	–	0	0	1	–	–
	(TXD1)	Output	1	–	0	0	1	–	–
P75	KR5	Input	0	–	–	1	x	–	0/1
	(SI10)	Input	1	–	–	1	x	–	0/1
	(RXD1)	Input	1	–	–	1	x	–	0/1
P76	KR6	Input	0	–	–	1	x	–	0/1
	(SCK10)	Input	1	–	–	1	x	–	0/1
		Output	1	–	–	0	1	–	x
P77	INTP12	Input	x	–	–	1	x	–	0/1
	KR7	Input	0	–	–	1	x	–	0/1
	(SSI10)	Input	1	–	–	1	x	–	0/1
P80	ANI2	Input	x	–	–	1	x	–	–
	ANO0	Output	x	–	–	1	x	–	–
P81	ANI3	Input	x	–	–	1	x	–	–
	IVCMP00	Input	x	–	–	1	x	–	–
P82	ANI4	Input	x	–	–	1	x	–	–
	IVCMP01	Input	x	–	–	1	x	–	–
P83	ANI5	Input	x	–	–	1	x	–	–
	IVCMP02	Input	x	–	–	1	x	–	–
P84	ANI6	Input	x	–	–	1	x	–	–
	IVCMP03	Input	x	–	–	1	x	–	–
P85	ANI7	Input	x	–	–	1	x	–	–
	IVREF0	Input	x	–	–	1	x	–	–
P86-P87	ANI8 to ANI9	Input	x	–	–	1	x	–	–
P90-P97	ANI10 to ANI17	Input	x	–	–	1	x	–	–

Remarks 1. x: Don't care

PIORxx: Peripheral I/O redirection register

POMxx: Port output mode register

PMCxx: Port mode control register

PMxx: Port mode register

Pxx: Port output latch

- The relationship between pins and their alternate functions shown in this table indicates the relationship when a 144-pin product is used. In other products, alternate functions might be assigned to different pins, but even in this case, the PIORxx, POMxx, PMCxx, PMxx, and Pxx set in the same way.
- Functions in parentheses in the above table can be assigned via settings in the peripheral I/O redirection register (PIOR).

Table 4-31. Settings of Port Mode Register and Output Latch When Using Alternate Function (8/10)

Pin Name	Alternate Function		PIORXX	POMXX	PMCXX	PMXX	PXX	PIMXX	PITHLXX
	Function Name	I/O							
P100-P105	ANI18 to ANI23	Input	x	–	–	1	x	–	–
P106	(LTXD1)	Output	1	–	–	0	1	–	–
P107	(LRXD1)	Input	1	–	–	1	x	–	0/1
P110	TI20	Input	0	–	–	1	x	–	–
	TO20	Output	0	–	–	0	0	–	–
P111	TI21	Input	0	–	–	1	x	–	–
	TO21	Output	0	–	–	0	0	–	–
P112	TI22	Input	0	–	–	1	x	–	–
	TO22	Output	0	–	–	0	0	–	–
P113	TI23	Input	0	–	–	1	x	–	–
	TO23	Output	0	–	–	0	0	–	–
P114	TI24	Input	0	–	–	1	x	–	–
	TO24	Output	0	–	–	0	0	–	–
P115	TI25	Input	0	–	–	1	x	–	–
	TO25	Output	0	–	–	0	0	–	–
P116	TI26	Input	0	–	–	1	x	–	–
	TO26	Output	0	–	–	0	0	–	–
P117	TI27	Input	0	–	–	1	x	–	–
	TO27	Output	0	–	–	0	0	–	–
P120	ANI25	Input	x	x	1	1	x	–	–
	TI07	Input	0	x	0	1	x	–	–
	INTP4	Input	x	x	0	1	x	–	–
	TRDIOD0	Input	0	x	0	1	x	–	–
		Output	0	0	0	0	0	–	–
	SO01	Output	0	0/1	0	0	1	–	–
TO07	Output	0	0	0	0	0	–	–	
P125	ANI24	Input	x	–	1	1	x	x	x
	TI03	Input	0	–	0	1	x	0	0/1
	INTP1	Input	x	–	0	1	x	0	0/1
	TO03	Output	0	–	0	0	0	x	x
	TRDIOB0	Input	0	–	0	1	x	0	0/1
		Output	0	–	0	0	0	x	x
	SSI01	Input	0	–	0	1	x	0/1	0/1
	SNZOUT1	Output	0	–	0	0	0	x	x

Remarks 1. x: Don't care

PIORxx: Peripheral I/O redirection register

POMxx: Port output mode register

PMCxx: Port mode control register

PMxx: Port mode register

Pxx: Port output latch

- The relationship between pins and their alternate functions shown in this table indicates the relationship when a 144-pin product is used. In other products, alternate functions might be assigned to different pins, but even in this case, the PIORxx, POMxx, PMCxx, PMxx, and Pxx set in the same way.
- Functions in parentheses in the above table can be assigned via settings in the peripheral I/O redirection register (PIOR).

Table 4-31. Settings of Port Mode Register and Output Latch When Using Alternate Function (9/10)

Pin Name	Alternate Function		PIORXX	POMXX	PMCXX	PMXX	PXX	PIMXX	PITHLXX
	Function Name	I/O							
P126	(TI01)	Input	1	–	–	1	x	–	–
	(TO01)	Output	1	–	–	0	0	–	–
P127	(TI03)	Input	1	–	–	1	x	–	–
	(TO03)	Output	1	–	–	0	0	–	–
P130	RESOUT	Output	x	–	–	–	0	–	–
P131	INTP14	Input	x	–	–	1	x	–	–
P137	INTP0	Input	x	–	–	–	x	–	–
P140	PCLBUZ0	Output	x	–	–	0	0	–	–
	(TI20)	Input	1	–	–	1	x	–	–
	(TO20)	Output	1	–	–	0	0	–	–
P141	(TI21)	Input	1	–	–	1	x	–	–
	(TO21)	Output	1	–	–	0	0	–	–
P142	(TI22)	Input	1	–	–	1	x	–	–
	(TO22)	Output	1	–	–	0	0	–	–
P143	(TI23)	Input	1	–	–	1	x	–	–
	(TO23)	Output	1	–	–	0	0	–	–
P144	(TI24)	Input	1	–	–	1	x	–	–
	(TO24)	Output	1	–	–	0	0	–	–
P145	(TI25)	Input	1	–	–	1	x	–	–
	(TO25)	Output	1	–	–	0	0	–	–
P146	(TI26)	Input	1	–	–	1	x	–	–
	(TO26)	Output	1	–	–	0	0	–	–
P147	(TI27)	Input	1	–	–	1	x	–	–
	(TO27)	Output	1	–	–	0	0	–	–
P150	($\overline{\text{SSI11}}$)	Input	1	–	–	1	x	–	0/1
P151	SO21	Output	0	–	–	0	1	–	–
	(SO11)	Output	1	–	–	0	1	–	–
P152	SI21	Input	0	–	–	1	x	–	0/1
	(SI11)	Input	1	–	–	1	x	–	0/1
P153	SCK21	Input	0	–	–	1	x	–	0/1
		Output	0	–	–	0	1	–	x
	(SCK11)	Input	1	–	–	1	x	–	0/1
		Output	1	–	–	0	1	–	x

Remarks 1. x: Don't care

PIORxx: Peripheral I/O redirection register

POMxx: Port output mode register

PMCxx: Port mode control register

PMxx: Port mode register

Pxx: Port output latch

- The relationship between pins and their alternate functions shown in this table indicates the relationship when a 144-pin product is used. In other products, alternate functions might be assigned to different pins, but even in this case, the PIORxx, POMxx, PMCxx, PMxx, and Pxx set in the same way.
- Functions in parentheses in the above table can be assigned via settings in the peripheral I/O redirection register (PIOR).

Table 4-31. Settings of Port Mode Register and Output Latch When Using Alternate Function (10/10)

Pin Name	Alternate Function		PIORXX	POMXX	PMCXX	PMXX	PXX	PIMXX	PITHLXX
	Function Name	I/O							
P154	LRXD2	Input	0	–	–	1	×	–	0/1
	(SNZOUT7)	Output	1	–	–	0	0	–	×
P155	LTXD2	Output	0	–	–	0	1	–	–
	(SNZOUT6)	Output	1	–	–	0	0	–	–
P156	SI20	Input	0	–	–	1	×	–	0/1
	RXD2	Input	0	–	–	1	×	–	0/1
	(SNZOUT5)	Output	1	–	–	0	0	–	×
P157	SO20	Output	0	–	–	0	1	–	–
	TXD2	Output	0	–	–	0	1	–	–
	(SNZOUT4)	Output	1	–	–	0	0	–	–

- Remarks 1.** ×: Don't care
 PIORxx: Peripheral I/O redirection register
 POMxx: Port output mode register
 PMCxx: Port mode control register
 PMxx: Port mode register
 Pxx: Port output latch
- The relationship between pins and their alternate functions shown in this table indicates the relationship when a 144-pin product is used. In other products, alternate functions might be assigned to different pins, but even in this case, the PIORxx, POMxx, PMCxx, PMxx, and Pxx set in the same way.
 - Functions in parentheses in the above table can be assigned via settings in the peripheral I/O redirection register (PIOR).

4.6 Cautions When Using Port Function

4.6.1 Cautions on 1-bit manipulation instruction for port register n (Pn)

When a 1-bit manipulation instruction is executed on a port that provides both input and output functions, the output latch value of an input port that is not subject to manipulation may be written in addition to the targeted bit.

Therefore, it is recommended to rewrite the output latch when switching a port from input mode to output mode.

<Example> When P10 is an output port, P11 to P17 are input ports (all pin statuses are high level), and the port latch value of port 1 is 00H, if the output of output port P10 is changed from low level to high level via a 1-bit manipulation instruction, the output latch value of port 1 is FFH.

Explanation: The targets of writing to and reading from the Pn register of a port whose PMnm bit is 1 are the output latch and pin status, respectively.

A 1-bit manipulation instruction is executed in the following order in the RL78/F15.

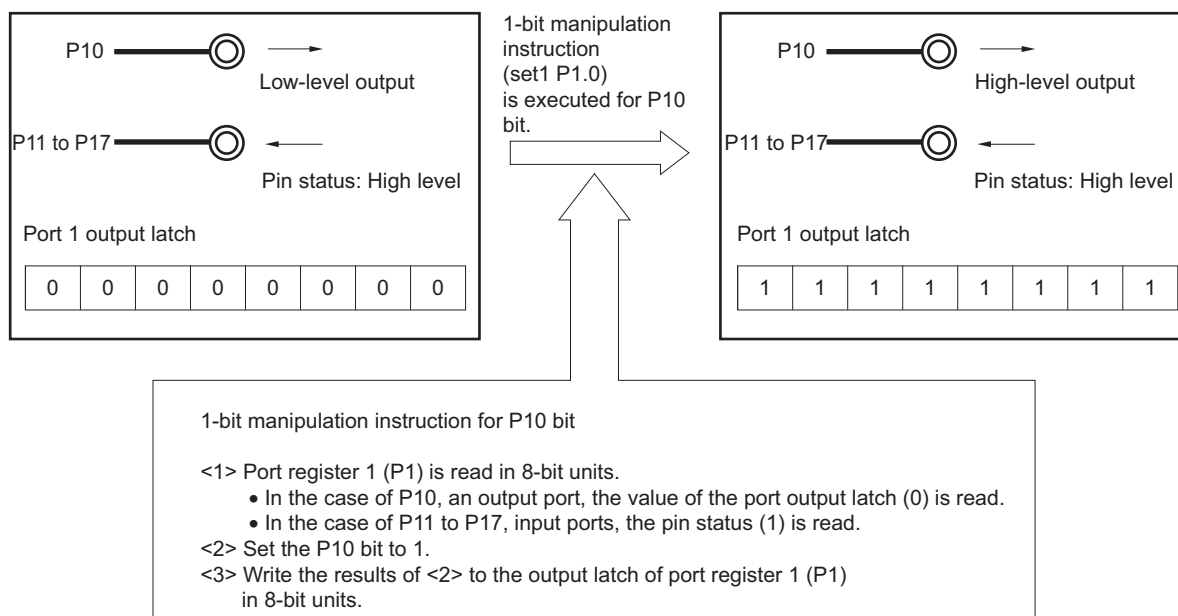
- <1> The Pn register is read in 8-bit units.
- <2> The targeted one bit is manipulated.
- <3> The Pn register is written in 8-bit units.

In step <1>, the output latch value (0) of P10, which is an output port, is read, while the pin statuses of P11 to P17, which are input ports, are read. If the pin statuses of P11 to P17 are high level at this time, the read value is FEH.

The value is changed to FFH by the manipulation in <2>.

FFH is written to the output latch by the manipulation in <3>.

Figure 4-118. Bit Manipulation Instruction (P10)



4.6.2 Notes on specifying the pin settings

For an output pin to which multiple functions are assigned, the output of the unused alternate functions must be set to its initial state so as to prevent conflicting outputs. This also applies to the functions assigned by using the peripheral I/O redirection register (PIOR). For details about the alternate function output, see **4.5 Settings of Port Mode Register and Output Latch When Using Alternate Function**.

Set PIOR register before the target function is enabled.

No specific setting is required for input pins because the output of their alternate functions is disabled (the buffer output is Hi-Z).

Disabling the unused functions, including blocks that are only used for input or do not have I/O, is recommended for lower power consumption.

CHAPTER 5 CLOCK GENERATOR

Use the clock generator within a range that satisfies the values stipulated in **CHAPTER 35** and **CHAPTER 36 ELECTRICAL SPECIFICATIONS**.

5.1 Functions of Clock Generator

The clock generator generates the clock to be supplied to the CPU and peripheral hardware. The following three kinds of system clocks and clock oscillators are selectable.

(1) Main system clock

<1> X1 oscillator

This circuit oscillates a clock of $f_x = 1$ to 20 MHz by connecting a resonator to X1 and X2.

Oscillation can be stopped by executing the STOP instruction or setting of the MSTOP bit (bit 7 of the clock operation status control register (CSC)).

<2> High-speed on-chip oscillator (High-speed OCO)

The frequency at which to oscillate can be selected from among $f_{IH} = 64, 48, 32, 24, 16, 12, 8, 4,$ or 1 MHz (TYP.) by using the user option byte (000C2H/020C2H). When 64 MHz or 48 MHz is selected as f_{IH} , f_{CLK} is set to 32 MHz or 24 MHz, respectively, after a reset release. The CPU always starts operating with this high-speed on-chip oscillator clock ^{Note}. Oscillation can be stopped by executing the STOP instruction or setting of the HIOSTOP bit (bit 0 of the CSC register).

The frequency set by using the user option byte can be changed by the high-speed on-chip oscillator frequency select register (HOCODIV). For the frequency, see **Figure 5-12 Format of High-speed on-chip oscillator frequency select register (HOCODIV)**.

An external main system clock ($f_{EX} = 1$ to 20 MHz) can also be supplied from the EXCLK/X2/P122 pin. An external main system clock input can be disabled by executing the STOP instruction or setting of the MSTOP bit.

As the high-speed system clock, an X1 clock or external main system clock can be selected by setting of the OSCSEL bit (bit 6 of the clock operation mode control register (CMC)) and the EXCLK bit (bit 7 of the clock operation mode control register (CMC)).

As the main system clock, a high-speed system clock (X1 clock or external main system clock) or high-speed on-chip oscillator clock can be selected by setting of the MCM0 bit (bit 4 of the system clock control register (CKC)).

Note When selecting 64 MHz or 48 MHz, the selected clock (f_{IH}) is supplied to timer RD.
When supplying 64 MHz or 48 MHz to timer RD, set f_{CLK} to f_{IH} .

(2) PLL clock

This clock oscillates the clock whose f_{PLL} is 24 MHz, 32 MHz, or 64 MHz by oscillating the main system clock at 4 MHz or 8 MHz and multiplying by 3, 4, 6, or 8 times. When setting f_{PLL} to 64 MHz or 48 MHz, the division of f_{CLK} should be set to 32 MHz or 24 MHz by the MDIV2 to MDIV0 bits in the f_{MP} clock division register (MDIV). Oscillation can be stopped by setting the PLLON bit (bit 0 of the PLLCTL register). Before entering STOP mode, the PLLON bit should be cleared to 0 (Stops PLL operation).

- Remarks 1.** The PLL input clock frequency can be set to 4 MHz or 8 MHz. When setting the high-speed on-chip oscillator clock as the PLL input clock, the on-chip oscillator clock can be set to 4 MHz or 8 MHz depending on the setting of bits 4 to 0 (FRQSEL4 to FRQSEL0) of the user option byte (000C2H/020C2H). For details of the user option byte, see **CHAPTER 30 OPTION BYTE**.
- 2.** Set the multiplier of the PLL clock by bits 1 (PLLMUL) and 4 (PLLDIV0) in the PLL control register (PLLCTL).

(3) Subsystem clock**• XT1 clock oscillator**

This circuit oscillates a clock of $f_{XT} = 32.768$ kHz by connecting a 32.768 kHz resonator to XT1 and XT2. Oscillation can be stopped by setting the XTSTOP bit (bit 6 of the clock operation status control register (CSC)).

An external subsystem clock ($f_{EXS} = 32.768$ kHz) can also be supplied from the EXCLKS/XT2/P124 pin. An external subsystem clock input can be disabled by setting the XTSTOP bit (bit 6 of the clock operation status control register (CSC)).

As the subsystem clock, an XT1 clock or external subsystem clock can be selected by setting of the OSCSELS bit (bit 4 of the clock operation mode control register (CMC)), the EXCLKS bit (bit 5 of the clock operation mode control register (CMC)), and the SELLOSC bit (bit 0 of the clock select register (CKSEL)).

(4) Low-speed on-chip oscillator (Low-speed OCO)

This circuit oscillates a clock of $f_{IL} = 15$ kHz (TYP.).

The low-speed on-chip oscillator clock can be used as the CPU/peripheral hardware clock.

Only the following hardware circuits operate by the low-speed on-chip oscillator clock.

- Clock monitor (f_{IL})
- Timer RJ (f_{IL} and f_{SL})
- Timer RD (f_{SL})
- Clock output/buzzer output control circuit (f_{SL})

This circuit operates when at least bit 4 in the operation speed mode control register (OSMC) or bit 6 in the clock select register (SELLOSC) is 1. When stopping the oscillation of the low-speed on-chip oscillator, set the WUTMMCK0 and SELLOSC bits to 0.

As the main/PLL select clock (f_{MP}), a main system clock (f_{MAIN}) or PLL clock (f_{PLL}) can be selected by setting of the SELPLL bit (bit 2 of the PLL control register (PLLCTL)).

As the subsystem/low-speed on-chip oscillator select clock (f_{SL}), a subsystem clock (f_{SUB}) or low-speed on-chip oscillator (f_{IL}) can be selected by setting of the CKSEL bit (bit 0 of the clock select register (CKSEL)).

Remark	f_X : X1 clock oscillation frequency
	f_{IH} : High-speed on-chip oscillator clock frequency (64 MHz max.) ^{Notes1, 3}
	f_{EX} : External main system clock frequency
	f_{XT} : XT1 clock oscillation frequency
	f_{EXS} : External subsystem clock frequency
	f_{IL} : Low-speed on-chip oscillator clock frequency
	f_{SL} : Subsystem/low-speed on-chip oscillator select clock frequency
	f_{PLL} : PLL clock frequency (64 MHz max.) ^{Notes2, 3}
	f_{MP} : Main/PLL select clock frequency (64 MHz max.)

- Notes**
1. f_{IH} is controlled by hardware so that the MDIV register is set to 01H ($f_{MP} =$ two frequency division) when f_{IH} is set to 64 MHz or 48 MHz after a reset release. When supplying 64 MHz or 48 MHz to timer RD, set f_{CLK} to f_{IH} .
 2. When setting f_{PLL} to 64 MHz or 48 MHz, the division of f_{MP} should be set within the range of 1 MHz to 32 MHz (or 1 MHz to 24 MHz for grade-K products) by the MDIV2 to MDIV0 bits in the f_{MP} clock division register (MDIV). When supplying 64 MHz or 48 MHz to timer RD, set f_{CLK} to f_{PLL} .
 3. When supplying 64 MHz or 48 MHz to timer RD, set the MDIV register to 01H ($f_{MP}/2$ is selected).

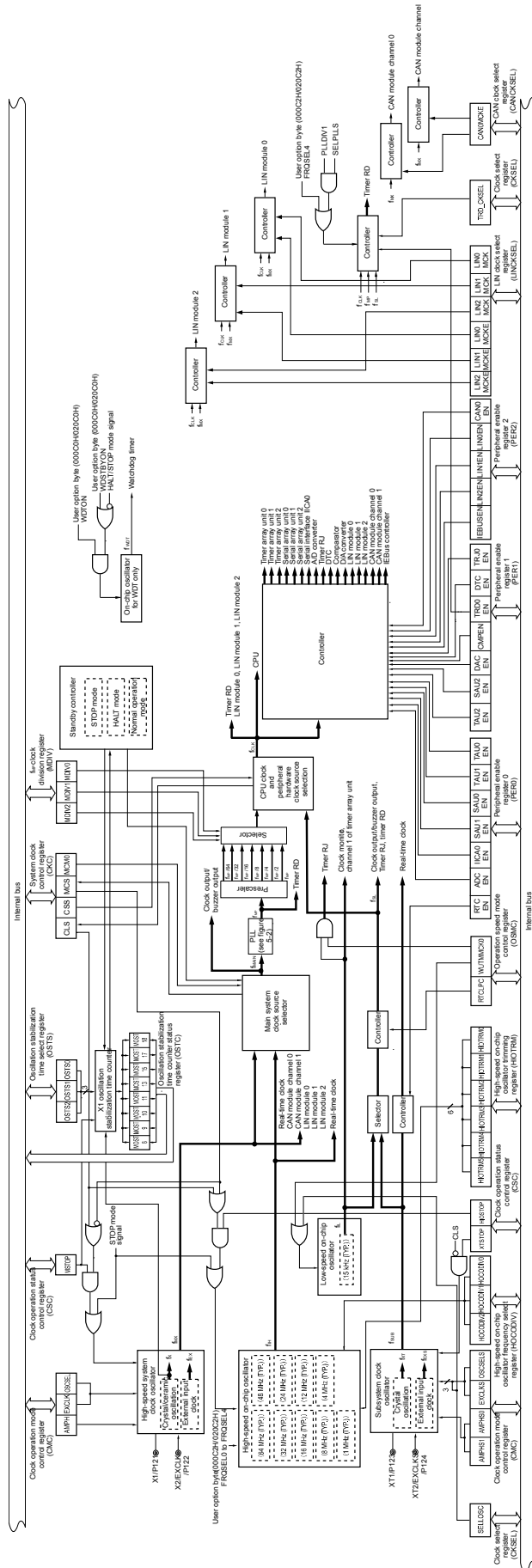
5.2 Configuration of Clock Generator

The clock generator includes the following hardware.

Table 5-1. Configuration of Clock Generator

Item	Configuration
Control registers	Clock operation mode control register (CMC) System clock control register (CKC) Clock operation status control register (CSC) Oscillation stabilization time counter status register (OSTC) Oscillation stabilization time select register (OSTS) Peripheral enable registers 0, 1, 2 (PER0, PER1, PER2) Operation speed mode control register (OSMC) High-speed on-chip oscillator frequency select register (HOCODIV) High-speed on-chip oscillator trimming register (HIOTRM) CAN clock select register (CANCKSEL) LIN clock select register (LINCKSEL) Clock select register (CKSEL) PLL control register (PLLCTL) PLL status register (PLLSTS) f _{MP} clock division register (MDIV)
Oscillators	X1 oscillator XT1 oscillator High-speed on-chip oscillator clock Low-speed on-chip oscillator clock

Figure 5-1. Block Diagram of Clock Generator



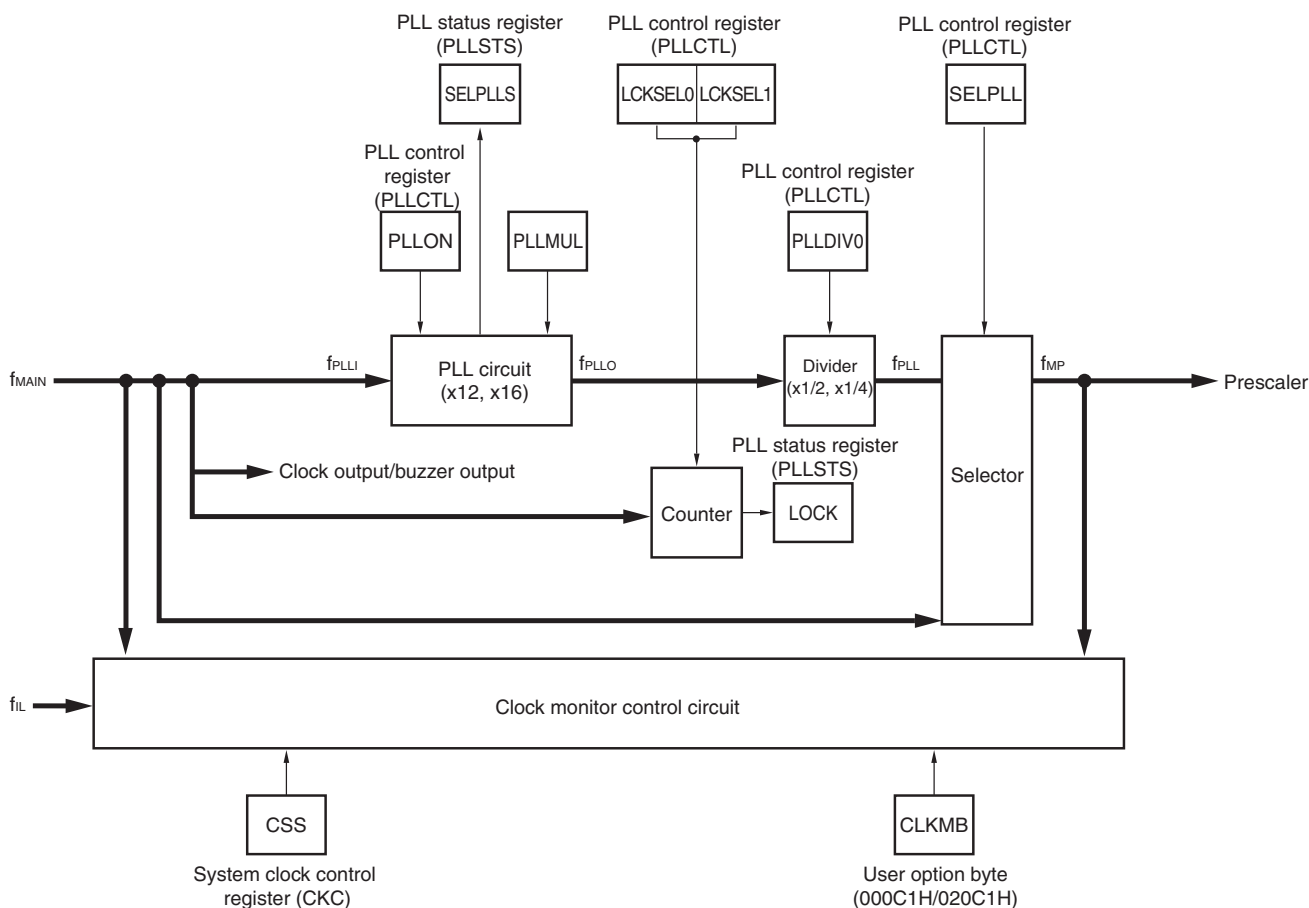
This figure shows an example of 144-pin products.

(Remark and Note are listed on the next page.)

- Remark**
- f_x : X1 clock oscillation frequency
 - f_{IH} : High-speed on-chip oscillator clock frequency (64 MHz max.) ^{Note}
 - f_{EX} : External main system clock frequency
 - f_{MX} : High-speed system clock frequency
 - f_{MAIN} : Main system clock frequency
 - f_{XT} : XT1 clock oscillation frequency
 - f_{EXS} : External subsystem clock frequency
 - f_{SUB} : Subsystem clock frequency
 - f_{CLK} : CPU/peripheral hardware clock frequency
 - f_{IL} : Low-speed on-chip oscillator clock frequency
 - f_{SL} : Subsystem/low-speed on-chip oscillator select clock frequency
 - f_{MP} : Main system/PLL select clock frequency
 - f_{PLL} : PLL clock frequency

Note f_{IH} is controlled by hardware so that the MDIV register is set to 01H (f_{MP} = two frequency division) when f_{IH} is set to 64 MHz or 48 MHz. When supplying 64 MHz or 48 MHz to timer RD, set f_{CLK} to f_{IH} .

Figure 5-2. Block Diagram of PLL Circuit



- Remark**
- f_{MAIN} : Main system clock
 - f_{IL} : Low-speed on-chip oscillator clock
 - f_{PLLI} : PLL input clock
 - f_{PULO} : PLL output clock
 - f_{MP} : Main system/PLL select clock
 - f_{PLL} : PLL clock

5.3 Registers Controlling Clock Generator

The following registers are used to control the clock generator.

- Clock operation mode control register (CMC)
- System clock control register (CKC)
- Clock operation status control register (CSC)
- Oscillation stabilization time counter status register (OSTC)
- Oscillation stabilization time select register (OSTS)
- Peripheral enable registers 0, 1, 2 (PER0, PER1, PER2)
- Operation speed mode control register (OSMC)
- High-speed on-chip oscillator frequency select register (HOCODIV)
- High-speed on-chip oscillator trimming register (HIOTRM)
- CAN clock select register (CANCKSEL)
- LIN clock select register (LINCKSEL)
- Clock select register (CKSEL)
- PLL control register (PLLCTL)
- PLL status register (PLLSTS)
- f_{MP} clock division register (MDIV)

5.3.1 Clock Operation Mode Control Register (CMC)

This register is used to set the operation mode of the X1/P121, X2/EXCLK/P122, XT1/P123, and XT2/EXCLKS/P124 pins, and to select a gain of the oscillator.

The CMC register can be written only once by an 8-bit memory manipulation instruction after reset release. This register can be read by an 8-bit memory manipulation instruction.

Writing to the CMC register is disabled when the GCSC bit of the IAWCTL register is set to 1.

Reset signal generation sets this register to 00H.

Figure 5-3. Format of Clock Operation Mode Control Register (CMC)

Address: FFFA0H After reset: 00H R/W

Symbol	7	6	5	4	3	2	1	0
CMC	EXCLK	OSCSEL	EXCLKS	OSCSLS	0	AMPHS1	AMPHS0	AMPH

EXCLK	OSCSEL	High-speed system clock pin operation mode	X1/P121 pin	X2/EXCLK/P122 pin
0	0	Input port mode	Input port	
0	1	X1 oscillation mode	Crystal/ceramic resonator connection	
1	0	Input port mode	Input port	
1	1	External clock input mode	Input port	External clock input

CKSEL register	CMC register		Subsystem clock pin operation mode	XT1/P123 pin	XT2/EXCLKS/P124 pin
SELLOSC <small>Note 1</small>	EXCLKS	OSCSLS			
x	0	0	Input port mode	Input port	
0	0	1	XT1 oscillation mode	Crystal/ceramic resonator connection	
1	0	1	Input port mode (low-speed on-chip oscillator operation mode)	Input port	
x	1	0	Input port mode	Input port	
0	1	1	External clock input mode	Input port	External clock input
1	1	1	Input port mode (low-speed on-chip oscillator operation mode)	Input port	

AMPHS1	AMPHS0	XT1 oscillator oscillation mode selection <small>Note 2</small>
0	0	Low power consumption oscillation (default) Oscillation margin: Medium
0	1	Normal oscillation Oscillation margin: high
1	0	Ultra-low power consumption oscillation Oscillation margin: Low
1	1	Setting prohibited

AMPH	Control of X1 clock oscillation frequency
0	1 MHz ≤ f _x ≤ 10 MHz
1	1 MHz ≤ f _x ≤ 20 MHz

- Notes**
1. When the SELLOSC bit is set to 1, the subsystem clock (f_{SUB}) cannot be supplied to the input clock (f_{RTC}) of the real-time clock.
 2. As the XT oscillator becomes oscillation mode with lower power consumption, then its oscillation margin becomes smaller.

- Cautions**
1. The CMC register can be written only once after reset release, by an 8-bit memory manipulation instruction. When the CMC register is used at the default value (00H), be sure to set 00H to this register after reset release in order to prevent malfunctioning during a program loop.
 2. After reset release, set the CMC register before X1 or XT1 oscillation is started as set by the clock operation status control register (CSC).

(Cautions are listed on the next page.)

3. Be sure to set the AMPH bit to 1 if the X1 clock oscillation frequency exceeds 10 MHz.

When the X1 clock oscillation frequency is in the range from 1 to 10 MHz, setting the AMPH bit to 1 improves the oscillation margin.

4. The XT1 oscillator is a circuit with low amplification in order to achieve low-power consumption. Note the following points when designing the circuit.
 - Pins and circuit boards include parasitic capacitance. Therefore, perform oscillation evaluation using a circuit board to be actually used and confirm that there are no problems.
 - Make the wiring between the XT1 and XT2 pins and the resonators as short as possible, and minimize the parasitic capacitance and wiring resistance. Note this particularly when the ultra-low power consumption oscillation (AMPHS1, AMPHS0 = 1, 0) is selected.
 - Configure the circuit of the circuit board, using material with little parasitic capacitance and wiring resistance.
 - Place a ground pattern that has the same potential as V_{SS} as much as possible near the XT1 oscillator.
 - Be sure that the signal lines between the XT1 and XT2 pins, and the resonators do not cross with the other signal lines. Do not route the wiring near a signal line through which a high fluctuating current flows.
 - The impedance between the XT1 and XT2 pins may drop and oscillation may be disturbed due to moisture absorption of the circuit board in a high-humidity environment or dew condensation on the board. When using the circuit board in such an environment, take measures to damp-proof the circuit board, such as by coating.
 - When coating the circuit board, use material that does not cause capacitance or leakage between the XT1 and XT2 pins.

5.3.2 System Clock Control Register (CKC)

This register is used to select a CPU/peripheral hardware clock and a main system clock.

Set the CKC register by a 1-bit or 8-bit memory manipulation instruction.

Writing to the CKC register is disabled when the GCSC bit of the IAWCTL register is set to 1.

Reset signal generation sets this register to 00H.

Figure 5-4. Format of System Clock Control Register (CKC)

Address: FFFA4H After reset: 00H R/W ^{Note 1}

Symbol	<7>	<6>	<5>	<4>	3	2	1	0
CKC	CLS	CSS	MCS	MCM0	0	0	0	0

CLS	Status of CPU/peripheral hardware clock (f _{CLK})
0	Main system/PLL select clock (f _{MP})
1	Subsystem/low-speed on-chip oscillator select clock (f _{SL})

CSS ^{Note 2}	Selection of CPU/peripheral hardware clock (f _{CLK})
0	Main system/PLL select clock (f _{MP})
1	Subsystem/low-speed on-chip oscillator select clock (f _{SL})

MCS	Status of main system clock (f _{MAIN})
0	High-speed on-chip oscillator clock (f _{IH})
1	High-speed system clock (f _{MX})

MCM0 ^{Notes 2, 3, 4}	Main system clock (f _{MAIN}) operation control
0	Selects the high-speed on-chip oscillator clock (f _{IH}) as the main system clock (f _{MAIN})
1	Selects the high-speed system clock (f _{MX}) as the main system clock (f _{MAIN})

- Notes**
1. Bits 7 and 5 are read-only.
 2. Changing the value of the MCM0 bit is prohibited while the CSS bit is set to 1.
 3. Changing the value of the MCM0 bit is prohibited while the PLLON bit is set to 1.
 4. To change the MCM0 bit from 0 to 1 while FRQSEL4 = 1 in the corresponding user option byte (at 000C2H or 020C2H), stop counting by the timer RD (setting the TSTART0 and TSTART1 bits in the TRDSTR register to 0) and disable clock or buzzer output (by setting the PCLOE0 bit in the CKS0 register to 0) before changing the MCM0 bit.

(Cautions and Remark are listed on the next page.)

- Cautions**
1. Be sure to set bits 0 to 3 of the CKC register to 0.
 2. The clock set by the CSS bit is supplied to the CPU and peripheral hardware. If the CPU clock is changed, therefore, the clock supplied to peripheral hardware (except the real-time clock, clock output/buzzer output, and watchdog timer) is also changed at the same time. Consequently, stop each peripheral function when changing the CPU/peripheral hardware clock.
 3. If the subsystem clock or low-speed on-chip oscillator clock is used as the peripheral hardware clock, the operations of the A/D converter and IICA are not guaranteed. For the operating characteristics of the peripheral hardware, refer to the chapters describing the various peripheral hardware as well as CHAPTER 35 and CHAPTER 36 ELECTRICAL SPECIFICATIONS.
 4. When selecting f_{IH} as the count source for timer RD, set f_{CLK} to f_{MP} before setting bit 4 (TRD0EN) in peripheral enable register 1 (PER1). When changing f_{CLK} to a clock other than f_{MP} , clear bit 4 (TRD0EN) in peripheral enable register 1 (PER1) before changing.

Remark For setting of the PLL clock, refer to 5.6.4 Examples of Setting PLL Circuit.

5.3.3 Clock Operation Status Control Register (CSC)

This register is used to control the operations of the high-speed system clock, high-speed on-chip oscillator clock, and subsystem clock (except the low-speed on-chip oscillator clock).

Set the CSC register by a 1-bit or 8-bit memory manipulation instruction.

Writing to the CSC register is disabled when the GCSC bit of the IAWCTL register is set to 1.

Reset signal generation sets this register to C0H.

Figure 5-5. Format of Clock Operation Status Control Register (CSC)

Address: FFFA1H After reset: C0H R/W

Symbol	<7>	<6>	5	4	3	2	1	<0>
CSC	MSTOP	XTSTOP	0	0	0	0	0	HIOSTOP

MSTOP	High-speed system clock operation control		
	X1 oscillation mode	External clock input mode	Input port mode
0	X1 oscillator operating	External clock from EXCLK pin is valid	Input port
1	X1 oscillator stopped	External clock from EXCLK pin is invalid	

XTSTOP	Subsystem clock operation control		
	XT1 oscillation mode	External clock input mode	Input port mode
0	XT1 oscillator operating	External clock from EXCLKS pin is valid	Input port
1	XT1 oscillator stopped	External clock from EXCLKS pin is invalid	

HIOSTOP	High-speed on-chip oscillator clock operation control
0	High-speed on-chip oscillator operating
1	High-speed on-chip oscillator stopped

- Cautions**
1. After reset release, set the clock operation mode control register (CMC) before setting the CSC register.
 2. Set the oscillation stabilization time select register (OSTS) before setting the MSTOP bit to 0 after releasing reset. Note that if the OSTS register is being used with its default settings, the OSTS register is not required to be set here.
 3. To start X1 oscillation as set by the MSTOP bit, check the oscillation stabilization time of the X1 clock by using the oscillation stabilization time counter status register (OSTC).
 4. When starting XT1 oscillation by setting the XTSTOP bit, wait for oscillation of the subsystem clock to stabilize by setting a wait time using software.
 5. Do not stop the clock selected for the CPU peripheral hardware clock (f_{CLK}) with the OSC register.
 6. The setting of the flags of the register to stop clock oscillation (invalidate the external clock input) and the condition before clock oscillation is to be stopped are as Table 5-2.

Table 5-2. Condition Before Stopping Clock Oscillation and Flag Setting

Clock	Condition Before Stopping Clock (Invalidating External Clock Input)	Setting of CSC Register Flags
X1 clock	CPU and peripheral hardware clocks operate with a clock other than the high-speed system clock or PLL clock (source clock = high-speed system clock). (CLS (bit 7 of the CKC register) = 0 and MCS (bit 5 of the CKC register) = 0, or CLS = 1)	MSTOP = 1
External main system clock		
XT1 clock	CPU and peripheral hardware clocks operate with a clock other than the subsystem clock. (CLS = 0, or CLS = 1 and SELLOSC (bit 0 of the CKSEL register) = 1)	XTSTOP = 1
External subsystem clock		
High-speed on-chip oscillator clock	CPU and peripheral hardware clocks operate with a clock other than the high-speed on-chip oscillator clock or PLL clock (source clock = high-speed on-chip oscillator clock). (CLS = 0 and MCS = 1, or CLS = 1)	HIOSTOP = 1

5.3.4 Oscillation Stabilization Time Counter Status Register (OSTC)

This is the register that indicates the count status of the X1 clock oscillation stabilization time counter.

The X1 clock oscillation stabilization time can be checked in the following case,

- If the X1 clock starts oscillation while the high-speed on-chip oscillator clock or subsystem/low-speed on-chip oscillator select clock is being used as the CPU clock.
- If the STOP mode is entered and then released while the high-speed on-chip oscillator clock is being used as the CPU clock with the X1 clock oscillating.

The OSTC register can be read by a 1-bit or 8-bit memory manipulation instruction.

The generation of reset signal, the STOP instruction and MSTOP (bit 7 of clock operation status control register (CSC)) = 1 clear the OSTC register to 00H.

Remark The oscillation stabilization time counter starts counting in the following cases.

- When oscillation of the X1 clock starts (when EXCLK of the CMC register = 0 and OSCSEL of the CMC register = 1, MSTOP of the CSC register = 0)
- When the STOP mode is released

Figure 5-6. Format of Oscillation Stabilization Time Counter Status Register (OSTC)

Address: FFFA2H After reset: 00H R

Symbol	7	6	5	4	3	2	1	0
OSTC	MOST 8	MOST 9	MOST 10	MOST 11	MOST 13	MOST 15	MOST 17	MOST 18

MOST 8	MOST 9	MOST 10	MOST 11	MOST 13	MOST 15	MOST 17	MOST 18	Oscillation stabilization time status		
									fx = 10 MHz	fx = 20 MHz
0	0	0	0	0	0	0	0	2 ⁸ /fx max.	25.6 μs max.	12.8 μs max.
1	0	0	0	0	0	0	0	2 ⁹ /fx min.	25.6 μs min.	12.8 μs min.
1	1	0	0	0	0	0	0	2 ⁹ /fx min.	51.2 μs min.	25.6 μs min.
1	1	1	0	0	0	0	0	2 ¹⁰ /fx min.	102.4 μs min.	51.2 μs min.
1	1	1	1	0	0	0	0	2 ¹¹ /fx min.	204.8 μs min.	102.4 μs min.
1	1	1	1	1	0	0	0	2 ¹³ /fx min.	819.2 μs min.	409.6 μs min.
1	1	1	1	1	1	0	0	2 ¹⁵ /fx min.	3.27 ms min.	1.63 ms min.
1	1	1	1	1	1	1	0	2 ¹⁷ /fx min.	13.10 ms min.	6.55 ms min.
1	1	1	1	1	1	1	1	2 ¹⁸ /fx min.	26.21 ms min.	13.10 ms min.

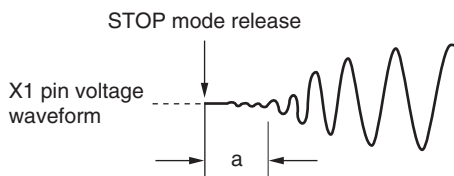
Cautions 1. After the above time has elapsed, the bits are set to 1 in order from the MOST8 bit and remain 1.

2. The oscillation stabilization time counter counts up to the oscillation stabilization time set by the oscillation stabilization time select register (OSTS).

In the following cases, set the oscillation stabilization time of the OSTS register to the value equal to or greater than the count value which is to be checked by the OSTC register.

- If the X1 clock starts oscillation while the high-speed on-chip oscillator clock or subsystem clock is being used as the CPU clock.
- If the STOP mode is entered and then released while the high-speed on-chip oscillator clock is being used as the CPU clock with the X1 clock oscillating. (Note, therefore, that only the status up to the oscillation stabilization time set by the OSTS register is set to the OSTC register after the STOP mode is released.)

3. The X1 clock oscillation stabilization wait time does not include the time until clock oscillation starts (“a” below).



5.3.5 Oscillation Stabilization Time Select Register (OSTS)

This register is used to select the X1 clock oscillation stabilization wait time.

When the X1 clock is oscillated, the operation automatically waits for the time set using the OSTS register.

When oscillation of the X1 clock starts, confirm with the oscillation stabilization time counter status register (OSTC) that the desired oscillation stabilization time has elapsed. The oscillation stabilization time can be checked up to the time set using the OSTC register.

Set the OSTS register by an 8-bit memory manipulation instruction.

Writing to the OSTS register is disabled when the GCSC bit of the IAWCTL register is set to 1.

Reset signal generation sets the OSTS register to 07H.

Figure 5-7. Format of Oscillation Stabilization Time Select Register (OSTS)

Address: FFFA3H After reset: 07H R/W

Symbol	7	6	5	4	3	2	1	0
OSTS	0	0	0	0	0	OSTS2	OSTS1	OSTS0

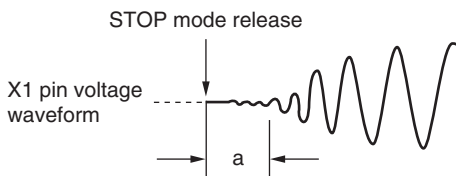
OSTS2	OSTS1	OSTS0	Oscillation stabilization time selection	Oscillation stabilization time selection	
				$f_x = 10 \text{ MHz}$	$f_x = 20 \text{ MHz}$
0	0	0	$2^8/f_x$	25.6 μs	12.8 μs
0	0	1	$2^9/f_x$	51.2 μs	25.6 μs
0	1	0	$2^{10}/f_x$	102.4 μs	51.2 μs
0	1	1	$2^{11}/f_x$	204.8 μs	102.4 μs
1	0	0	$2^{13}/f_x$	819.2 μs	409.6 μs
1	0	1	$2^{15}/f_x$	3.27 ms	1.63 ms
1	1	0	$2^{17}/f_x$	13.10 ms	6.55 ms
1	1	1	$2^{18}/f_x$	26.21 ms	13.10 ms

Cautions 1. To set the STOP mode when the X1 clock is used as the CPU clock, set the OSTS register before executing the STOP instruction.

2. Change the setting of the OSTS register before setting the MSTOP bit of the clock operation status control register (CSC) to 0.
3. Do not change the value of the OSTS register during the X1 clock oscillation stabilization time.
4. The oscillation stabilization time counter counts up to the oscillation stabilization time set by the OSTS register.

In the following cases, set the oscillation stabilization time of the OSTS register to the value equal to or greater than the count value which is to be checked by the OSTC register after the oscillation starts.

- If the X1 clock starts oscillation while the high-speed on-chip oscillator clock or subsystem clock is being used as the CPU clock.
 - If the STOP mode is entered and then released while the high-speed on-chip oscillator clock is being used as the CPU clock with the X1 clock oscillating. (Note, therefore, that only the status up to the oscillation stabilization time set by the OSTS register is set to the OSTC register after the STOP mode is released.)
5. The X1 clock oscillation stabilization wait time does not include the time until clock oscillation starts (“a” below).



5.3.6 Peripheral Enable Registers 0, 1, 2 (PER0, PER1, PER2)

These registers are used to enable or disable supplying the clock to the peripheral hardware. Clock supply to the hardware that is not used is also stopped so as to decrease the power consumption and noise.

To use the peripheral functions below, which are controlled by these registers, set (1) the bit corresponding to each function before specifying the initial settings of the peripheral functions.

- Real-time clock
- A/D converter
- Serial interface IICA0
- Serial array unit 2 (144-pin and 100-pin products only.)
- Serial array unit 1
- Serial array unit 0
- Timer array unit 2 (144-pin products only.)
- Timer array unit 1
- Timer array unit 0
- D/A converter
- Comparator
- Timer RD
- DTC
- Timer RJ
- LIN0
- LIN1
- LIN2 (144-pin and 100-pin products only.)
- CAN0
- CAN1
- IEBB

The PER0, PER1, and PER2 registers can be set by a 1-bit or 8-bit memory manipulation instruction. Writing to the PER0, PER1, and PER2 registers is disabled when the GCSC bit of the IAWCTL register is set to 1. Reset signal generation clears these registers to 00H.

Figure 5-8. Format of Peripheral Enable Register 0 (PER0) (1/3)

Address: F00F0H After reset: 00H R/W

Symbol	<7>	6	<5>	<4>	<3>	<2>	<1>	<0>
PER0	RTCEN <small>Note 1</small>	0	ADCEN	IICA0EN	SAU1EN	SAU0EN	TAU1EN	TAU0EN

RTCEN <small>Note 1</small>	Control of supplying input clock <small>Note 2</small> for real-time clock (RTC)
0	Stops input clock supply. <ul style="list-style-type: none"> • SFR used by the real-time clock (RTC) cannot be written. • The real-time clock (RTC) is in the reset status.
1	Enables input clock supply. <ul style="list-style-type: none"> • SFR used by the real-time clock (RTC) can be read and written.

- Notes**
1. The RTCCL register should be set before setting the RTCEN bit to 1.
 2. The input clock that can be controlled by the RTCEN bit is used when the register that is used by the real-time clock (RTC) is accessed from the CPU. The RTCEN bit cannot control supply of the operating clock to the RTC.

Caution Be sure to clear bit 6 to 0.

Figure 5-8. Format of Peripheral Enable Register 0 (PER0) (2/3)

Address: F00F0H After reset: 00H R/W

Symbol	<7>	6	<5>	<4>	<3>	<2>	<1>	<0>
PER0	RTCEN	0	ADCEN	IICA0EN	SAU1EN	SAU0EN	TAU1EN	TAU0EN

ADCEN	Control of A/D converter input clock supply
0	Stops input clock supply. <ul style="list-style-type: none"> • SFR used by the A/D converter cannot be written. • The A/D converter is in the reset status.
1	Enables input clock supply. <ul style="list-style-type: none"> • SFR used by the A/D converter can be read and written.

IICA0EN	Control of serial interface IICA0 input clock supply
0	Stops input clock supply. <ul style="list-style-type: none"> • SFR used by the serial interface IICA0 cannot be written. • The serial interface IICA0 is in the reset status.
1	Enables input clock supply. <ul style="list-style-type: none"> • SFR used by the serial interface IICA0 can be read and written.

SAU1EN	Control of serial array unit 1 input clock supply
0	Stops input clock supply. <ul style="list-style-type: none"> • SFR used by the serial array unit 1 cannot be written. • The serial array unit 1 is in the reset status.
1	Enables input clock supply. <ul style="list-style-type: none"> • SFR used by the serial array unit 1 can be read and written.

SAU0EN	Control of serial array unit 0 input clock supply
0	Stops input clock supply. <ul style="list-style-type: none"> • SFR used by the serial array unit 0 cannot be written. • The serial array unit 0 is in the reset status.
1	Enables input clock supply. <ul style="list-style-type: none"> • SFR used by the serial array unit 0 can be read and written.

Figure 5-8. Format of Peripheral Enable Register 0 (PER0) (3/3)

Address: F00F0H After reset: 00H R/W

Symbol	<7>	6	<5>	<4>	<3>	<2>	<1>	<0>
PER0	RTCEN	0	ADCEN	IICA0EN	SAU1EN	SAU0EN	TAU1EN	TAU0EN

TAU1EN	Control of timer array unit 1 input clock supply
0	Stops input clock supply. <ul style="list-style-type: none"> • SFR used by timer array unit 1 cannot be written. • Timer array unit 1 is in the reset status.
1	Enables input clock supply. <ul style="list-style-type: none"> • SFR used by timer array unit 1 can be read and written.

TAU0EN	Control of timer array unit 0 input clock supply
0	Stops input clock supply. <ul style="list-style-type: none"> • SFR used by timer array unit 0 cannot be written. • Timer array unit 0 is in the reset status.
1	Enables input clock supply. <ul style="list-style-type: none"> • SFR used by timer array unit 0 can be read and written.

Figure 5-9. Format of Peripheral Enable Register 1 (PER1) (1/2)

Address: F02C0H After reset: 00H R/W

Symbol	<7>	6	<5>	<4>	<3>	<2>	<1>	<0>
PER1	DACEN	0	CMPEN	TRD0EN Note 1	DTCEN	TAU2EN Note 2	SAU2EN Note 3	TRJ0EN

DACEN	Control of D/A converter input clock supply
0	Stops input clock supply. <ul style="list-style-type: none"> SFR used by the D/A converter cannot be written. The D/A converter is in the reset status.
1	Enables input clock supply. <ul style="list-style-type: none"> SFR used by the D/A converter can be read and written.

CMPEN	Control of comparator input clock supply
0	Stops input clock supply. <ul style="list-style-type: none"> SFR used by comparator cannot be written. Comparator is in the reset status.
1	Enables input clock supply. <ul style="list-style-type: none"> SFR used by comparator can be read and written.

TRD0EN Note1	Control of timer RD input clock supply
0	Stops input clock supply. <ul style="list-style-type: none"> SFR used by timer RD cannot be written. Timer RD is in the reset status.
1	Enables input clock supply. <ul style="list-style-type: none"> SFR used by timer RD can be read and written.

- Notes**
- When FRQSEL4 = 1 in the user option byte (000C2H/020C2H), set fCLK to fIH before setting bit 4 (TRD0EN) in peripheral enable register 1 (PER1). When changing fCLK to a clock other than fIH, clear bit 4 (TRD0EN) of peripheral enable register 1 (PER1) before changing.
 - 144-pin products only.
0 must be set for the other products.
 - 144-pin and 100-pin products only.
0 must be set for the other products.

Caution Be sure to clear Bit 6 to 0.

Figure 5-9. Format of Peripheral Enable Register 1 (PER1) (2/2)

Address: F02C0H After reset: 00H R/W

Symbol	<7>	6	<5>	<4>	<3>	<2>	<1>	<0>
PER1	DACEN	0	CMPEN	TRD0EN	DTCEN	TAU2EN Note 1	SAU2EN Note 2	TRJ0EN

DTCEN	Control of DTC input clock supply
0	Stops input clock supply. • DTC cannot run.
1	Enables input clock supply. • DTC can run.

TAU2EN Note 1	Control of timer array unit 2 input clock supply
0	Stops input clock supply. • SFR used by timer array unit 2 cannot be written. • Timer array unit 2 is in the reset status.
1	Enables input clock supply. • SFR used by timer array unit 2 can be read and written.

SAU2EN Note 2	Control of serial array unit 2 input clock supply
0	Stops input clock supply. • SFR used by the serial array unit 2 cannot be written. • The serial array unit 2 is in the reset status.
1	Enables input clock supply. • SFR used by the serial array unit 2 can be read and written.

TRJ0EN	Control of timer RJ0 input clock supply
0	Stops input clock supply. • SFR used by timer RJ0 cannot be written. • Timer RJ0 is in the reset status.
1	Enables input clock supply. • SFR used by timer RJ0 can be read and written.

- Notes**
1. 144-pin products only.
0 must be set for the other products.
 2. 144-pin and 100-pin products only.
0 must be set for the other products.

Figure 5-10. Format of Peripheral Enable Register 2 (PER2)

Address: F02C1H After reset: 00H R/W

Symbol	7	6	<5>	<4>	<3>	<2>	1	<0>
PER2	0	0	IEBUSEN	LIN2EN Note	LIN1EN	LIN0EN	0	CAN0EN

IEBUSEN	Control of IEBB input clock supply
0	Stops input clock supply. <ul style="list-style-type: none"> Disables writing to the SFR used by IEBB. IEBB is in the reset state.
1	Enables input clock supply. <ul style="list-style-type: none"> Enables reading from and writing to the SFR used by IEBB.

LIN2EN Note	Control of LIN2 input clock supply
0	Stops input clock supply. <ul style="list-style-type: none"> Disables writing to the SFR used by LIN2. LIN2 is in the reset state.
1	Enables input clock supply. <ul style="list-style-type: none"> Enables reading from and writing to the SFR used by LIN2.

LIN1EN	Control of LIN1 input clock supply
0	Stops input clock supply. <ul style="list-style-type: none"> Disables writing to the SFR used by LIN1. LIN1 is in the reset state.
1	Enables input clock supply. <ul style="list-style-type: none"> Enables reading from and writing to the SFR used by LIN1.

LIN0EN	Control of LIN0 input clock supply
0	Stops input clock supply. <ul style="list-style-type: none"> Disables writing to the SFR used by LIN0. LIN0 is in the reset state.
1	Enables input clock supply. <ul style="list-style-type: none"> Enables reading from and writing to the SFR used by LIN0.

CAN0EN	Control of CAN input clock supply/control of CANi wakeup interrupt
0	Stops input clock supply. <ul style="list-style-type: none"> Disables writing to the SFR used by CAN. CAN is in the reset state. Disables CANi wakeup interrupt.
1	Enables input clock supply. <ul style="list-style-type: none"> Enables reading from and writing to the SFR used by CAN. Enables CANi wakeup interrupt.

Note 144-pin and 100-pin products only.
0 must be set for the other products.

Caution Be sure to clear Bits 1, 6, and 7 to 0.

5.3.7 Operation Speed Mode Control Register (OSMC)

This register is used to reduce power consumption by stopping unnecessary clock functions.

If the RTCLPC bit is set to 1, power consumption can be reduced, because clock supply to the peripheral functions is stopped in STOP mode or HALT mode while subsystem/low-speed on-chip oscillator select clock is selected as CPU clock.

Set the OSMC register by an 8-bit memory manipulation instruction.

Writing to the OSMC register is disabled when the GCSC bit of the IAWCTL register is set to 1.

Reset signal generation clears this register to 00H.

Figure 5-11. Format of Operation Speed Mode Control Register (OSMC)

Address: F00F3H After reset: 00H R/W

Symbol	7	6	5	4	3	2	1	0
OSMC	RTCLPC	0	0	WUTMMCK0 <small>Note</small>	0	0	0	0

RTCLPC	Setting in STOP mode or HALT mode while subsystem/low-speed on-chip oscillator select clock is selected as CPU clock
0	Enables supply of subsystem/low-speed on-chip oscillator select clock to peripheral functions (See Table 24-1, Table 24-2 and Table 24-3 for peripheral functions whose operations are enabled.)
1	Stops supply of subsystem/low-speed on-chip oscillator select clock to peripheral functions

WUTMMCK0 <small>Note</small>	Low-speed on-chip oscillator operation control
0	Low-speed on-chip oscillator stopped
1	Low-speed on-chip oscillator operating

Note To stop the low-speed on-chip oscillator, set bit 4 (WUTMMCK0) to 0 and bit 1 (SELLOSC) of the clock select register (CKSEL) to 0.

Caution The STOP mode current or HALT mode current when the subsystem/low-speed on-chip oscillator select clock is used can be reduced by setting the RTCLPC bit to 1. However, no clock can be supplied to the peripheral functions during HALT mode while subsystem/low-speed on-chip oscillator select clock is selected as CPU clock. Set bit 7 (RTCEN) of peripheral enable registers 0 (PER0) to 1 and bits 0 to 6 of the PER0 register to 0 before setting HALT mode while the subsystem/low-speed on-chip oscillator clock is selected as CPU clock.

5.3.8 High-Speed On-Chip Oscillator Frequency Select Register (HOCODIV)

The frequency of the high-speed on-chip oscillator which is set by a user option byte (000C2H/020C2H) can be changed by using high-speed on-chip oscillator frequency select register (HOCODIV). However, the selectable frequency depends on the FRQSEL4 and FRQSEL3 bits of the user option byte (000C2H/020C2H).

Set the HOCODIV register by an 8-bit memory manipulation instruction.

Reset signal generation clears this register to default value (the value set with the FRQSEL2 to FRQSEL0 bits of the user option byte (000C2H/020C2H)).

Figure 5-12. Format of High-speed on-chip oscillator frequency select register (HOCODIV)

Address: F00A8H After reset: value set with the FRQSEL2 to FRQSEL0 bits of the user option byte (000C2H/020C2H) R/W

Symbol	7	6	5	4	3	2	1	0
HOCODIV	0	0	0	0	0	HOCODIV2	HOCODIV1	HOCODIV0

HOCODIV2	HOCODIV1	HOCODIV0	Selection of high-speed on-chip oscillator clock frequency							
			24-MHz base		32-MHz base		48-MHz base		64-MHz base	
			FRQSEL4 = 0				FRQSEL4 = 1			
			FRQSEL3 = 0		FRQSEL3 = 1		FRQSEL3 = 0		FRQSEL3 = 1	
0	0	0	f _H = 24 MHz	f _H = 32 MHz	f _H = 48 MHz	f _H = 64 MHz				
0	0	1	f _H = 12 MHz	f _H = 16 MHz	f _H = 24 MHz	f _H = 32 MHz				
0	1	0	f _H = 6 MHz	f _H = 8 MHz	f _H = 12 MHz	f _H = 16 MHz				
0	1	1	f _H = 3 MHz	f _H = 4 MHz	f _H = 6 MHz	f _H = 8 MHz				
1	0	0	Setting prohibited	f _H = 2 MHz	Setting prohibited	f _H = 4 MHz				
1	0	1	Setting prohibited	f _H = 1 MHz	Setting prohibited	f _H = 2 MHz				
Other than above			Setting prohibited							

- Cautions**
1. When setting of high-speed on-chip oscillator clock as system clock, the device operates at the old frequency for the duration of 3 clocks after the frequency value has been changed by using the HOCODIV register.
 2. To change the frequency of the high-speed on-chip oscillator when X1 oscillation, external oscillation input, subsystem clock, or low-speed on-chip oscillator clock is set for the system clock, stop the high-speed on-chip oscillator by setting bit 0 (HIOSTOP) of the CSC register to 1 and then change the frequency.
 3. To change the frequency of the high-speed on-chip oscillator when X1 oscillation or external oscillation input is set for the clock source of the PLL clock, and PLL clock is set for the system clock, stop the high-speed on-chip oscillator by setting bit 0 (HIOSTOP) of the CSC register to 1 and then change the frequency.
 4. Do not change the setting of the HOCODIV register when the high-speed on-chip oscillator clock is used as the clock source of the PLL clock and the PLL clock is used as the system clock.

5.3.9 High-Speed On-Chip Oscillator Trimming Register (HIOTRM)

This register is used to adjust the accuracy of the high-speed on-chip oscillator.

With self-measurement of the high-speed on-chip oscillator frequency via a timer using high-accuracy external clock input, and so on, the accuracy can be adjusted.

Set the HIOTRM register by an 8-bit memory manipulation instruction.

Caution The frequency will vary if the temperature and V_{DD} pin voltage change after accuracy adjustment. When the temperature and V_{DD} voltage change, accuracy adjustment must be executed regularly or before the frequency accuracy is required.

Figure 5-13. Format of High-Speed On-Chip Oscillator Trimming Register (HIOTRM)

Address: F00A0H After reset: **Note** R/W

Symbol	7	6	5	4	3	2	1	0
HIOTRM	0	0	HIOTRM5	HIOTRM4	HIOTRM3	HIOTRM2	HIOTRM1	HIOTRM0

HIOTRM5	HIOTRM4	HIOTRM3	HIOTRM2	HIOTRM1	HIOTRM0	High-speed on-chip oscillator
0	0	0	0	0	0	Minimum speed
0	0	0	0	0	1	↑ ↓
0	0	0	0	1	0	
0	0	0	0	1	1	
0	0	0	1	0	0	
• • •						
1	1	1	1	1	0	↓
1	1	1	1	1	1	

Note The reset value differs for each chip.

5.3.10 CAN Clock Select Register (CANCKSEL)

This register is used to control the X1 clock (fx) supplied to the CAN.

Set the CANCKSEL register by a 1-bit or 8-bit memory manipulation instruction.

Writing to the CANCKSEL register is disabled when the GCSC bit of the IAWCTL register is set to 1.

Figure 5-14. Format of CAN Clock Select Register (CANCKSEL)

Address: F02C2H After reset: 00H R/W

Symbol	7	6	5	4	3	2	1	<0>
CANCKSEL	0	0	0	0	0	0	0	CAN0MCKE

CAN0MCKE	Control of supplying or stopping CAN X1 clock (fx)
0	Stops CAN X1 clock (fx) supply.
1	Enables CAN X1 clock (fx) supply.

Note Both of CAN0 and CAN1 are controlled by the bit 0. They cannot be controlled independently.

5.3.11 LIN Clock Select Register (LINCKSEL)

This register is used to control the communication clock source supplied to the LIN.

Set the LINCKSEL register by a 1-bit or 8-bit memory manipulation instruction.

Writing to the LINCKSEL register is disabled when the GCSC bit of the IAWCTL register is set to 1.

Figure 5-15. Format of LIN Clock Select Register (LINCKSEL)

Address: F02C3H After reset: 00H R/W

Symbol	7	<6>	<5>	<4>	3	<2>	<1>	<0>
LINCKSEL	0	LIN2MCKE Note	LIN1MCKE	LIN0MCKE	0	LIN2MCK Note	LIN1MCK	LIN0MCK

LIN2MCKE Note	Control of supplying or stopping LIN2 communication clock source
0	Stops LIN communication clock source supply.
1	Enables LIN communication clock source supply.

LIN1MCKE	Control of supplying or stopping LIN1 communication clock source
0	Stops LIN communication clock source supply.
1	Enables LIN communication clock source supply.

LIN0MCKE	Control of supplying or stopping LIN0 communication clock source
0	Stops LIN communication clock source supply.
1	Enables LIN communication clock source supply.

LIN2MCK Note	Control of selecting LIN2 communication clock source
0	Selects the f_{CLK} clock.
1	Selects the f_{MX} clock.

LIN1MCK	Control of selecting LIN1 communication clock source
0	Selects the f_{CLK} clock.
1	Selects the f_{MX} clock.

LIN0MCK	Control of selecting LIN0 communication clock source
0	Selects the f_{CLK} clock.
1	Selects the f_{MX} clock.

Note 144-pin and 100-pin products only.
0 must be set for the other products.

- Cautions**
1. Select the LINn operating clock with the LINnMCK bit before setting the LINnMCKE (n = 0 to 2) bit to 1.
 2. When operating LINn in SNOOZE mode, set the LINnMCK bit to 0.
 3. In case of LINnMCK is set to 1, do not use the timeout error detection.
In that case, set at least 1.2 times the frequency of the LIN communication clock source to the f_{CLK} clock.

5.3.12 Clock Select Register (CKSEL)

This register is used to select the CPU clock (f_{SUB}/f_{IL}) and the clocks for the timer RJ, the timer RD, and clock output/buzzer output. Together with the CMC register, the SELLOSC bit is used to set the operation mode of the subsystem clock. For details, see **Figure 5-3 Format of Clock Operation Mode Control Register (CMC)**.

Set the CKSEL register by a 1-bit or 8-bit memory manipulation instruction.

Writing to the CKSEL register is disabled when the GCSC bit of the IAWCTL register is set to 1.

Figure 5-16. Format of Clock Select Register (CKSEL)

Address: F02C4H After reset: 00H R/W

Symbol	7	6	5	4	3	<2>	1	<0>
CKSEL	0	0	0	0	0	TRD_ CKSEL	0	SELLOSC Notes 5, 6

TRD_CKSEL	Control of TDR clock selection
0	Selects f_{CLK} or f_{MP} ^{Note 1}
1	Selects f_{SL} ^{Note 2}

SELLOSC Notes 5, 6	Control of subsystem/low-speed on-chip oscillator selection clock (f_{SL}) selection
0	Selects f_{SUB} ^{Note 3} and stopping the low-speed on-chip oscillator
1	Selects f_{IL} ^{Note 4} and running the low-speed on-chip oscillator

- Notes**
- When $FRQSEL4 = 1$ in the user option byte (000C2H/020C2H) and $PLLDIV1 = 1$ ($f_{PLL} > 32$ MHz) in the PLLCTL register, set the TRD_CKSEL bit to 0.
When $FRQSEL4 = 1$ in the user option byte (000C2H/020C2H) or $PLLDIV1 = 1$ ($f_{PLL} > 32$ MHz) in the PLLCTL register, the timer RD clock becomes f_{MP} .
 - When f_{SL} is selected as the timer RD clock, f_{SL} should be selected as the CPU clock (set the CSS bit in the CKC register to 1) before setting the TRD0EN bit in the peripheral enable register 1 (PER1) to 1.
 - When setting f_{SUB} as the CPU/peripheral hardware clock, first set the SELLOSC bit in the CKSEL register to 0 and then set the CSS bit in the CKC register to 1.
 - When setting f_{IL} as the CPU/peripheral hardware clock, first set the SELLOSC bit in the CKSEL register to 1 and then set the CSS bit in the CKC register to 1.
 - When the SELLOSC bit is set to 1, the low-speed on-chip oscillator operates. To stop the low-speed on-chip oscillator, set the WUTMMCK0 bit in the OSMC register to 0 and the SELLOSC bit to 0.
 - When the SELLOSC bit is set to 1, the subsystem clock (f_{SUB}) cannot be supplied to the input clock (f_{RTC}) of the real-time clock.

5.3.13 PLL Control Register (PLLCTL)

This register is used to control the PLL function. The system clock multiplied by 3, 4, 6, or 8 times or not multiplied at all can be selected as the CPU clock and peripheral hardware clock.

Set the PLLCTL register by a 1-bit or 8-bit memory manipulation instruction.

Writing to the PLLCTL register is disabled when the GCSC bit of the IAWCTL register is set to 1.

Figure 5-17. Format of PLL Control Register (PLLCTL)

Address: F02C5H After reset: 00H R/W

Symbol	<7>	<6>	<5>	<4>	3	<2>	<1>	<0>
PLLCTL	LCKSEL1	LCKSEL0	PLLDIV1	PLLDIV0	0	SELPLL	PLLMUL	PLLON

LCKSEL1	LCKSEL0	Control of setting lock-up wait counter
0	0	Selects 128/fMAIN.
0	1	Selects 256/fMAIN.
1	0	Selects 512/fMAIN.
1	1	Setting prohibited

PLLDIV1	Control of PLL output clock selection
0	When $f_{PLL} \leq 32$ MHz
1	When $f_{PLL} > 32$ MHz

PLLDIV0	Control of PLL division selection
0	Divides the clock frequency by 2.
1	Divides the clock frequency by 4.

SELPLL	Control of clock mode selection
0	Clock through mode (fMAIN)
1	PLL-clock-selected mode (fPLL)

PLLMUL	Control of PLL multiplication selection
0	Multiplies the clock frequency by 12.
1	Multiplies the clock frequency by 16.

PLLON	Control of PLL operation
0	Stops PLL operation.
1	Starts PLL operation.
After PLL operation starts, the lock-up wait time for frequency stabilization is required.	

- Cautions**
1. Writing to the SELPLL bit is disabled when the PLL output is not stable (LOCK bit of the PLLSTS register = 0).
 2. When the clock monitor detects that the main system/PLL select clock has been stopped, the SELPLL bit is not automatically cleared.
 3. When the clock monitor detects that the main system/PLL select clock has been stopped, the SELPLLS bit in the PLLSTS register is automatically cleared.

(Cautions are listed on the next page.)

4. When the clock monitor detects that the main system/PLL select clock has been stopped, even if the SELPLL bit is set to 1 (SELPLL = 1), the clock through mode is entered.
5. The counter for the lock-up wait time should be set to a period of at least 40 μs.
6. When PLL operation starts, a wait time for the PLL to be locked is required.
7. When the PLL circuit is used, the PLL input clock and multiplication value can be set only in the combinations shown in the following. When the PLL circuit is not used (PLLON = 0 or SELPLL = 0), an input clock of any frequency between 1 to 32 MHz can be selected.

PLLCTL Register			Inputtable Frequency (f _{MAIN})	Multiplication	Division	Outputtable Frequency (f _{PLL})
PLLMUL	PLLDIV1	PLLDIV0				
0	0	0	4MHz ± 2%	×12	1/2	24MHz ± 2%
0	0	1	8MHz ± 2%	×12	1/4	24MHz ± 2%
0	1	0	8MHz ± 2%	×12	1/2	48MHz ± 2%
1	0	0	4MHz ± 2%	×16	1/2	32MHz ± 2%
1	0	1	8MHz ± 2%	×16	1/4	32MHz ± 2%
1	1	0	8MHz ± 2%	×16	1/2	64MHz ± 2%
Other than above			Setting prohibited			

8. When PLLON = 0, simultaneously changing the PLLON bit and SELPLL bit through 8-bit access is disabled.
9. When the PLLON bit is cleared (becomes 0), the SELPLL bit is also automatically cleared (clock through mode).
10. Before entering STOP mode, the PLLON bit should be cleared to 0.
11. Do not change the value of the MCM0 bit of the CKC register while the PLLON bit is set to 1.
12. When FRQSEL4 = 1 in the user option byte (000C2H/020C2H), set the PLLDIV1 bit to 0 (f_{PLL} ≤ 32 MHz).
13. To change the SELPLL bit from 1 to 0 while PLLDIV1 = 1 (f_{PLL} > 32 MHz), stop counting by the timer RD (setting the TSTART0 and TSTART1 bits in the TRDSTR register to 0) before changing the SELPLL bit.

Remark When the PLLON and SELPLL bits are set, the clock selected for f_{PLL} is determined according to the state of the LOCK and SELPLLS bits of the PLLSTS register. f_{PLL} for each state of the PLLON, SELPLL, LOCK, and SELPLLS bits is shown in the following.

PLLON	SELPLL	LOCK	SELPLLS	Selected Clock (f _{PLL})
0	0	0	0	Main system clock (f _{MAIN})
1	0	0	0	Main system clock (f _{MAIN})
1	0	1	0	Main system clock (f _{MAIN})
1	1	1	0	Main system clock (f _{MAIN}) State in which after the SELPLL bit is set to 1, the clock has not switched to the multiplied clock.
1	1	1	1	PLL clock (f _{PLL})
Other than above				Setting prohibited

5.3.14 PLL Status Register (PLLSTS)

This register is used to indicate the operation status of the PLL clock.
 Read the PLLSTS register by a 1-bit or 8-bit memory manipulation instruction.
 Reset signal generation sets this register to 00H.

Figure 5-18. Format of PLL Status Register (PLLSTS)

Address: F02C6H After reset: 00H R

Symbol	<7>	6	5	4	<3>	2	1	0
PLLSTS	LOCK	0	0	0	SELPLLS	0	0	0

LOCK	PLL locked state
0	Unlocked state
1 ^{Note}	Locked state
This bit is set to 1 when the lock-up wait counter overflows.	

SELPLLS	Clock mode state
0	Clock through mode (f _{MAIN})
1	PLL-clock-selected mode (f _{PLL})

Note When PLL operation starts, a wait time for the PLL to be locked (LOCK = 1) is required.

5.3.15 f_{MP} Clock Division Register (MDIV)

This register is used to divide the frequency of the f_{MP} clock (1/2, 1/4, 1/8, 1/16, 1/32, or 1/64).

Set the MDIV register by an 8-bit memory manipulation instruction.

Writing to the MDIV register is disabled when the GCSC bit of the IAWCTL register is set to 1.

Figure 5-19. Format of f_{MP} Clock Division Register (MDIV)

Address: F02C7H After reset: 00H/01H^{Note} R/W

Symbol	7	6	5	4	3	2	1	0
MDIV	0	0	0	0	0	MDIV2	MDIV1	MDIV0

MDIV2	MDIV1	MDIV0	
0	0	0	Selects f _{MP} .
0	0	1	Selects f _{MP} /2.
0	1	0	Selects f _{MP} /4.
0	1	1	Selects f _{MP} /8.
1	0	0	Selects f _{MP} /16.
1	0	1	Selects f _{MP} /32.
1	1	0	Selects f _{MP} /64.
Other than above			Setting prohibited

Note The value of the FRQSEL4 bit in the user option byte (000C2H/020C2H) becomes the initial value of the MDIV0 bit in the MDIV register.

- Cautions**
1. When setting the MDIV register, make the frequency after division of f_{MP} be within the range of 1 MHz to 32 MHz (or 1 MHz to 24 MHz for grade-K products).
 2. When FRQSEL4 = 1 in the user option byte (000C2H/020C2H), set the MDIV2 to MDIV0 bits to 001 (division by 2). Setting these bits to 001 (division by 2) is unnecessary in the clock through mode by PLL oscillation stop detection.
 3. When the PLLDIV1 bit in the PLLCTL register is 1 (f_{PLL} > 32 MHz), set the MDIV2 to MDIV0 bits to 001 (division by 2). Setting these bits to 001 (division by 2) is unnecessary in the clock through mode by PLL oscillation stop detection.
 4. When 64 MHz or 48 MHz is selected as f_{IH}, the initial setting of the MDIV register is "division by 2" so that f_{CLK} is set to 32 MHz or 24 MHz, respectively.

5.4 System Clock Oscillator

5.4.1 X1 Oscillator

The X1 oscillator oscillates with a crystal resonator or ceramic resonator (1 to 20 MHz) connected to the X1 and X2 pins.

An external clock can also be input. In this case, input the clock signal to the EXCLK pin.

To use the X1 oscillator, set bits 7 and 6 (EXCLK, OSCSEL) of the clock operation mode control register (CMC) as follows.

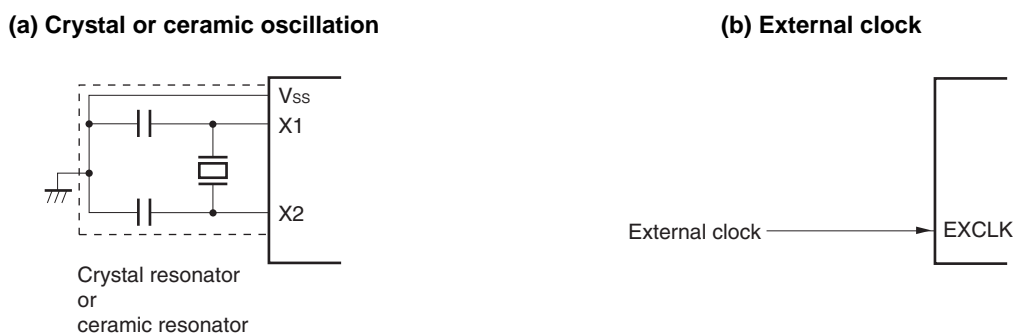
- Crystal or ceramic oscillation: EXCLK, OSCSEL = 0, 1
- External clock input: EXCLK, OSCSEL = 1, 1

When the X1 oscillator is not used, set the input port mode (EXCLK, OSCSEL = 0, 0).

When the pins are not even used as input port pins, see **2.3 Recommended Connection of Unused Pins**.

Figure 5-20 shows an example of the external circuit of the X1 oscillator.

Figure 5-20. Example of External Circuit of X1 Oscillator



Cautions are listed on the next page.

5.4.2 XT1 Oscillator

The XT1 oscillator oscillates with a crystal resonator (standard: 32.768 kHz) connected to the XT1 and XT2 pins.

To use the XT1 oscillator, set bit 4 (OSCSELS) of the clock operation mode control register (CMC) to 1.

An external clock can also be input. In this case, input the clock signal to the EXCLKS pin.

To use the XT1 oscillator, set bits 5 and 4 (EXCLKS, OSCSELS) of the clock operation mode control register (CMC) as follows.

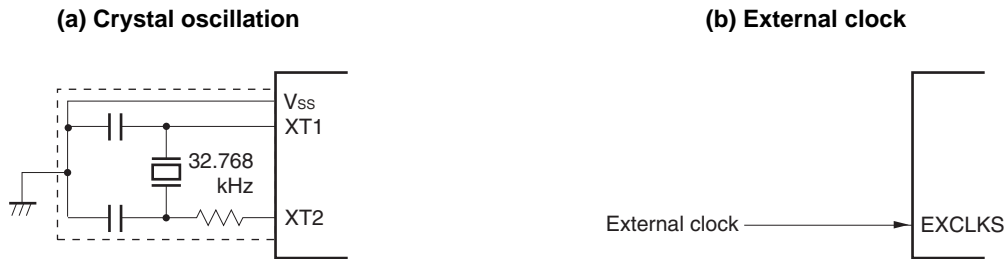
- Crystal oscillation: EXCLKS, OSCSELS = 0, 1
- External clock input: EXCLKS, OSCSELS = 1, 1

When the XT1 oscillator is not used, set the input port mode (EXCLKS, OSCSELS = 0, 0).

When the pins are not even used as input port pins, see **2.3 Recommended Connection of Unused Pins**.

Figure 5-21 shows an example of the external circuit of the XT1 oscillator.

Figure 5-21. Example of External Circuit of XT1 Oscillator



Cautions When using the X1 oscillator and XT1 oscillator, wire as follows in the area enclosed by the broken lines in Figures 5-20 and 5-21 to avoid an adverse effect from wiring capacitance.

- Keep the wiring length as short as possible.
- Do not cross the wiring with the other signal lines. Do not route the wiring near a signal line through which a high fluctuating current flows.
- Always make the ground point of the oscillator capacitor the same potential as V_{SS} . Do not ground the capacitor to a ground pattern through which a high current flows.
- Do not fetch signals from the oscillator.

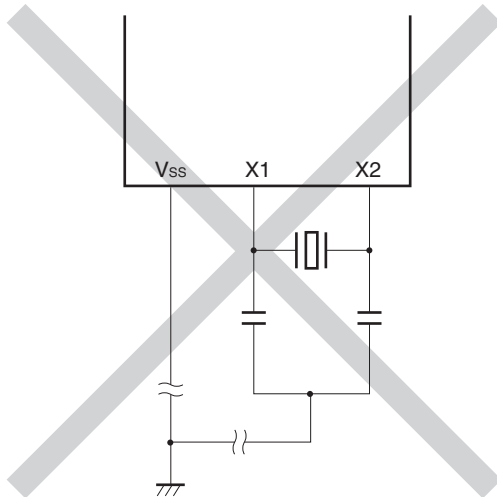
The XT1 oscillator is a circuit with low amplification in order to achieve low-power consumption. Note the following points when designing the circuit.

- Pins and circuit boards include parasitic capacitance. Therefore, perform oscillation evaluation using a circuit board to be actually used and confirm that there are no problems.
- Make the wiring between the XT1 and XT2 pins and the resonators as short as possible, and minimize the parasitic capacitance and wiring resistance. Note this particularly when the ultra-low power consumption oscillation (AMPHS1, AMPHS0 = 1, 0) is selected.
- Configure the circuit of the circuit board, using material with little wiring resistance.
- Place a ground pattern that has the same potential as V_{SS} as much as possible near the XT1 oscillator.
- Be sure that the signal lines between the XT1 and XT2 pins, and the resonators do not cross with the other signal lines. Do not route the wiring near a signal line through which a high fluctuating current flows.
- The impedance between the XT1 and XT2 pins may drop and oscillation may be disturbed due to moisture absorption of the circuit board in a high-humidity environment or dew condensation on the board. When using the circuit board in such an environment, take measures to damp-proof the circuit board, such as by coating.
- When coating the circuit board, use material that does not cause capacitance or leakage between the XT1 and XT2 pins.

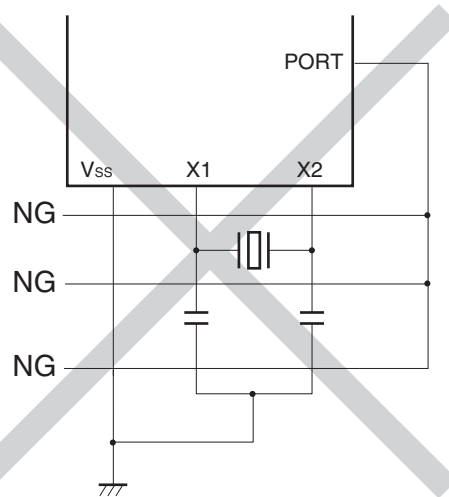
Figure 5-22 shows examples of incorrect resonator connection.

Figure 5-22. Examples of Incorrect Resonator Connection (1/2)

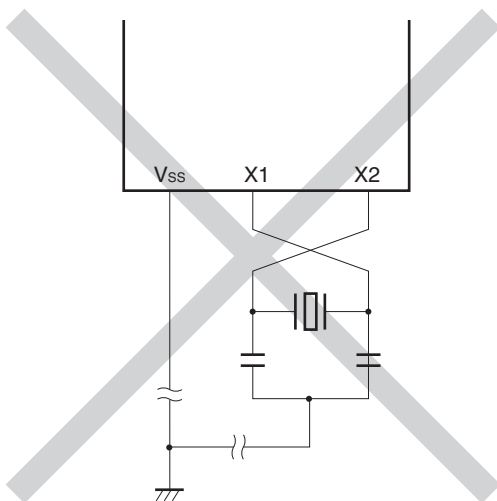
(a) Too long wiring



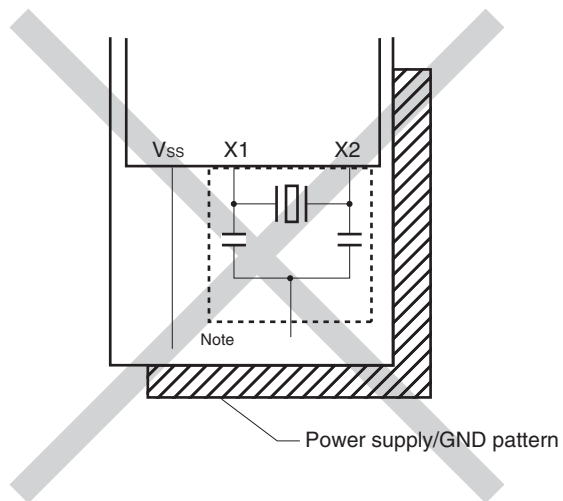
(b) Crossed signal line



(c) The X1 and X2 signal line wires cross.



(d) A power supply/GND pattern exists under the X1 and X2 wires.

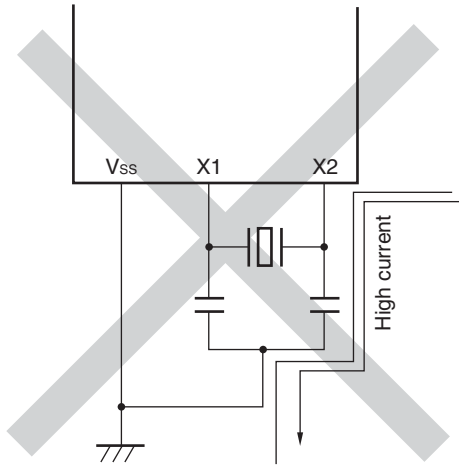


Note Do not place a power supply/GND pattern under the wiring section (section indicated by a broken line in the figure) of the X1 and X2 pins and the resonators in a multi-layer board or double-sided board. Do not configure a layout that will cause capacitance elements and affect the oscillation characteristics.

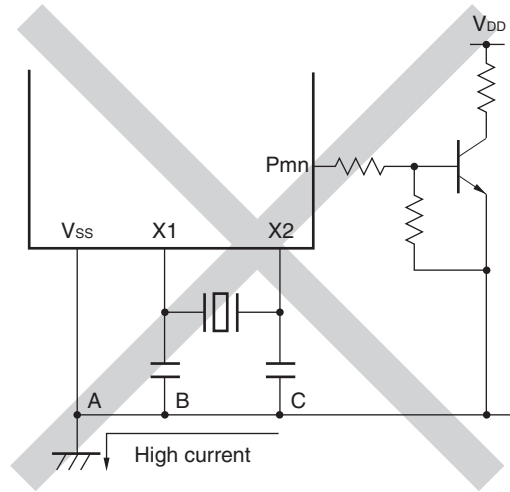
Remark When using the subsystem clock, replace X1 and X2 with XT1 and XT2, respectively. Also, insert resistors in series on the XT2 side.

Figure 5-22. Examples of Incorrect Resonator Connection (2/2)

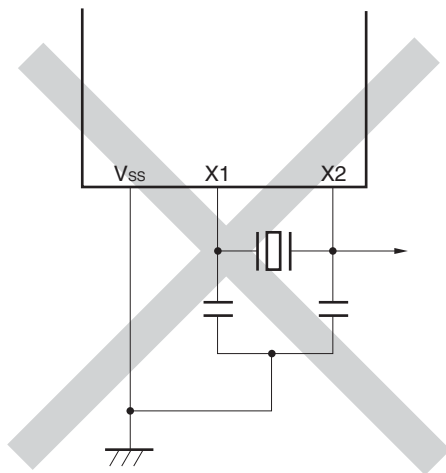
(e) Wiring near high alternating current



(f) Current flowing through ground line of oscillator (potential at points A, B, and C fluctuates)



(g) Signals are fetched



Caution When X2 and XT1 are wired in parallel, the crosstalk noise of X2 may increase with XT1, resulting in malfunctioning.

Remark When using the subsystem clock, replace X1 and X2 with XT1 and XT2, respectively. Also, insert resistors in series on the XT2 side.

5.4.3 High-Speed On-Chip Oscillator

The high-speed on-chip oscillator is incorporated in the RL78/F15. The frequency can be selected from among 64, 48, 32, 24, 16, 12, 8, 4, or 1 MHz by using the user option byte (000C2H/020C2H). When 64 MHz or 48 MHz is selected, the frequency obtained by dividing the selected clock by 2 by the f_{MP} clock division register (MDIV) is supplied as the CPU clock after a reset release. Oscillation can be controlled by bit 0 (HIOSTOP) of the clock operation status control register (CSC).

The high-speed on-chip oscillator automatically starts oscillating after reset release.

5.4.4 PLL Circuit

The PLL circuit is incorporated in the RL78/F15. Operation of the PLL circuit can be controlled by bit 0 (PLLON) of the PLL control register (PLLCTL).

5.4.5 Low-Speed On-Chip Oscillator

The low-speed on-chip oscillator which can be used for the CPU/peripheral hardware clock is incorporated in the RL78/F15.

5.4.6 WDT-Dedicated Low-Speed On-Chip Oscillator

The WDT-dedicated low-speed on-chip oscillator is incorporated in the RL78/F15.

The WDT-dedicated low-speed on-chip oscillator clock is used as the watchdog timer clock. This clock cannot be used as the CPU clock.

The WDT-dedicated low-speed on-chip oscillator operates when bit 4 (WDTON) of the user option byte (000C0H/020C0H) is set to 1. The WDT-dedicated low-speed on-chip oscillator continues oscillating while the watchdog timer is operating. The WDT-dedicated low-speed on-chip oscillator does not stop while the watchdog timer is operating even though the program goes out of control.

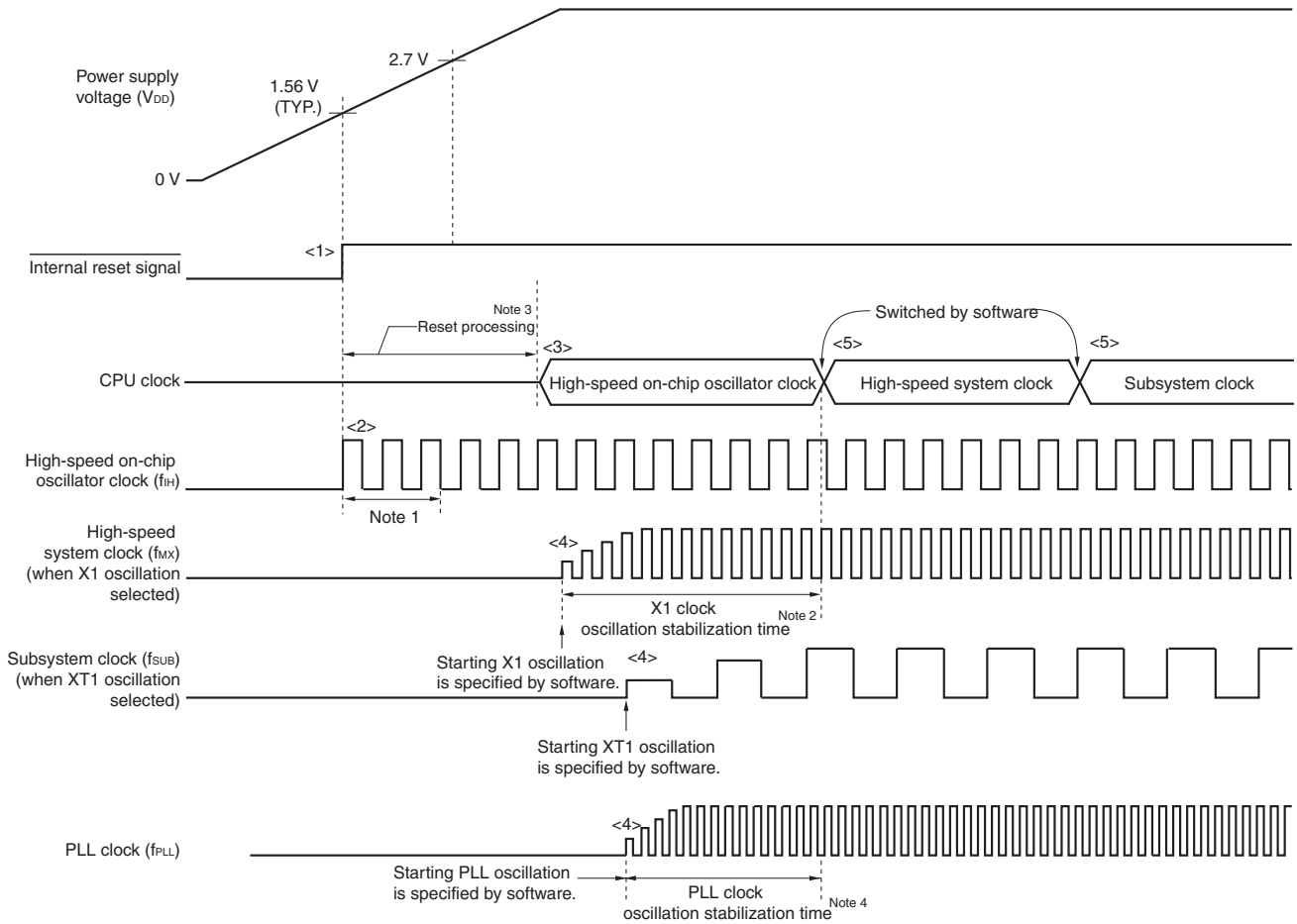
5.5 Clock Generator Operation

The clock generator generates the following clocks and controls the operation modes of the CPU, such as standby mode (see **Figure 5-1**).

- Main system clock f_{MAIN}
 - High-speed system clock f_{MX}
 - X1 clock f_{X}
 - External main system clock f_{EX}
 - High-speed on-chip oscillator clock f_{IH}
- Subsystem clock f_{SUB}
 - XT1 clock f_{XT}
 - External subsystem clock f_{EXS}
- PLL clock f_{PLL}
- Low-speed on-chip oscillator clock f_{IL}
- CPU/peripheral hardware clock f_{CLK}

The CPU starts operation when the high-speed on-chip oscillator starts outputting after a reset release in the RL78/F15. When the power supply voltage is turned on, the clock generator operation is shown in Figure 5-23.

Figure 5-23. Clock Generator Operation When Power Supply Voltage Is Turned On



- <1> When the power is turned on, an internal reset signal is generated by the power-on-reset (POR) circuit.
- <2> When the power supply voltage exceeds 1.56 V (TYP.), the reset is released and the high-speed on-chip oscillator automatically starts oscillation.
- <3> The CPU starts operation on the high-speed on-chip oscillator clock after a reset processing such as waiting for the voltage of the power supply or regulator to stabilize has been performed after reset release.
- <4> Set the start of oscillation of the X1 clock, XT1 clock, low-speed on-chip oscillator, or PLL clock via software (see **5.6.2 Example of Setting X1 Oscillator**, **5.6.3 Example of Setting XT1 Oscillator**, **5.6.4 Examples of Setting PLL Circuit**, or **5.6.5 Example of Setting Low-Speed On-Chip Oscillator**).
- <5> When switching the CPU clock to the X1 or XT1 clock, wait for the clock oscillation to stabilize, and then set switching via software (see **5.6.2 Example of Setting X1 Oscillator** and **5.6.3 Example of Setting XT1 Oscillator**).

- Notes**
1. The internal reset processing time includes the oscillation accuracy stabilization time of the high-speed on-chip oscillator clock.
 2. When releasing a reset, confirm the oscillation stabilization time for the X1 clock using the oscillation stabilization time counter status register (OSTC).
 3. For details about the reset processing time, see **CHAPTER 26 POWER-ON-RESET (POR) CIRCUIT**.
 4. When the PLL circuit starts operation, time is required so that the PLL circuit becomes locked (LOCK = 1).

Caution It is not necessary to wait for the oscillation stabilization time when an external clock input from the EXCLK pin is used.

5.6 Controlling Clock

5.6.1 Example of Setting High-Speed On-Chip Oscillator

After a reset release, the CPU/peripheral hardware clock (f_{CLK}) always starts operating with the high-speed on-chip oscillator clock. The frequency of the high-speed on-chip oscillator can be selected from 64, 48, 32, 24, 16, 12, 8, 4, and 1 MHz by using FRQSEL0 to FRQSEL4 of the user option byte (000C2H/020C2H). In addition, Oscillation can be changed by the internal high-speed on-chip oscillator frequency select register (HOCODIV).

[User option byte setting]

Address: 000C2H/020C2H After reset: - (user setting value)

	7	6	5	4	3	2	1	0
Option byte			RESOUTB	FRQSEL4	FRQSEL3	FRQSEL2	FRQSEL1	FRQSEL0
	1	1	0/1	0/1	0/1	0/1	0/1	0/1

FRQSEL4	FRQSEL3	FRQSEL2	FRQSEL1	FRQSEL0	Frequency of the high-speed on-chip oscillator
					f_{IH}
1	1	0	0	0	64 MHz
1	0	0	0	0	48 MHz
0	1	0	0	0	32 MHz
0	0	0	0	0	24 MHz
0	1	0	0	1	16 MHz
0	0	0	0	1	12 MHz
0	1	0	1	0	8 MHz
0	1	0	1	1	4 MHz
0	1	1	0	1	1 MHz
Other than above					Setting prohibited

[High-speed on-chip oscillator frequency select register (HOCODIV) setting]

Address: F00A8H

	7	6	5	4	3	2	1	0
HOCODIV	0	0	0	0	0	HOCODIV2	HOCODIV1	HOCODIV0

HOCODIV2	HOCODIV1	HOCODIV0	Selection of high-speed on-chip oscillator clock frequency							
			24-MHz base		32-MHz base		48-MHz base		64-MHz base	
			FRQSEL4 = 0				FRQSEL4 = 1			
			FRQSEL3 = 0		FRQSEL3 = 1		FRQSEL3 = 0		FRQSEL3 = 1	
0	0	0	$f_{IH} = 24$ MHz	$f_{IH} = 32$ MHz	$f_{IH} = 48$ MHz	$f_{IH} = 64$ MHz				
0	0	1	$f_{IH} = 12$ MHz	$f_{IH} = 16$ MHz	$f_{IH} = 24$ MHz	$f_{IH} = 32$ MHz				
0	1	0	$f_{IH} = 6$ MHz	$f_{IH} = 8$ MHz	$f_{IH} = 12$ MHz	$f_{IH} = 16$ MHz				
0	1	1	$f_{IH} = 3$ MHz	$f_{IH} = 4$ MHz	$f_{IH} = 6$ MHz	$f_{IH} = 8$ MHz				
1	0	0	Setting prohibited	$f_{IH} = 2$ MHz	Setting prohibited	$f_{IH} = 4$ MHz				
1	0	1	Setting prohibited	$f_{IH} = 1$ MHz	Setting prohibited	$f_{IH} = 2$ MHz				
Other than above			Setting prohibited							

5.6.2 Example of Setting X1 Oscillator

After a reset release, the CPU/peripheral hardware clock (f_{CLK}) always starts operating with the high-speed on-chip oscillator clock. To subsequently change the clock to the X1 oscillation clock, set the oscillator and start oscillation by using the clock operation mode control register (CMC) and clock operation status control register (CSC) and wait for oscillation to stabilize by using the oscillation stabilization time counter status register (OSTC). After the oscillation stabilizes, set the X1 oscillation clock to f_{CLK} by using the system clock control register (CKC).

[Register settings] Set the registers in the following order.

<1> Set the OSCSEL bit of the CMC register to 1, except for the cases where the frequency is equal or more than 10MHz, in such cases set the AMPH bit to 1, to operate the X1 oscillator.

	7	6	5	4	3	2	1	0
CMC	EXCLK	OSCSEL	EXCLKS	OSCSELS		AMPHS1	AMPHS0	AMPH
	0	1	0	0	0	0	0	1

<2> Using the OSTC register, select the oscillation stabilization time of the X1 oscillator at releasing of the STOP mode.

Example: Setting values when a wait of at least 102.4 μ s is set based on a 10 MHz resonator.

	7	6	5	4	3	2	1	0
OSTS						OSTS2	OSTS1	OSTS0
	0	0	0	0	0	0	1	0

<3> Clear (0) the MSTOP bit of the CSC register to start oscillating the X1 oscillator.

	7	6	5	4	3	2	1	0
CSC	MSTOP	XTSTOP						HIOSTOP
	0	1	0	0	0	0	0	0

<4> Use the OSTC register to wait for oscillation of the X1 oscillator to stabilize.

Example: Wait until the bits reach the following values when a wait of at least 102.4 μ s is set based on a 10 MHz resonator.

	7	6	5	4	3	2	1	0
OSTC	MOST8	MOST9	MOST10	MOST11	MOST13	MOST15	MOST17	MOST18
	1	1	1	0	0	0	0	0

<5> Use the MCM0 bit of the CKC register to specify the X1 oscillation clock as the CPU/peripheral hardware clock.

	7	6	5	4	3	2	1	0
CKC	CLS	CSS	MCS	MCM0				
	0	0	0	1	0	0	0	0

<6> Use the MCS bit of the CKC register to confirm that f_{MX} (X1 oscillation clock) is selected as the CPU/peripheral hardware clock (MCS = 1).

	7	6	5	4	3	2	1	0
CKC	CLS	CSS	MCS	MCM0				
	0	0	1	1	0	0	0	0

5.6.3 Example of Setting XT1 Oscillator

After a reset release, the CPU/peripheral hardware clock (f_{CLK}) always starts operating with the high-speed on-chip oscillator clock. To subsequently change the clock to the XT1 oscillation clock, set the oscillator and start oscillation by using the operation speed mode control register (OSMC), clock select register (CKSEL), clock operation mode control register (CMC), and clock operation status control register (CSC), set the XT1 oscillation clock to f_{CLK} by using the system clock control register (CKC).

[Register settings] Set the registers in the following order.

<1> The RTCLPC bit in the OSMC register can be used to enable or disable supply of the clock to the peripheral functions in STOP mode or HALT mode while sub/low-speed on-chip oscillator selection clock is selected as CPU clock.

When RTCLPC = 0, the supply of the subsystem/low-speed on-chip oscillator select clock to peripheral functions is enabled. When RTCLPC = 1, the supply of the subsystem/low-speed on-chip oscillator select clock to peripheral functions except for the real-time clock is stopped.

	7	6	5	4	3	2	1	0
OSMC	RTCLPC 0/1	0	0	WUTMMCK0 0	0	0	0	0

<2> Select f_{SUB} with the SELLOSC bit of the CKSEL register.

Clear the SELLOSC bit to 0 to set f_{SL} to the XT1 oscillation clock.

	7	6	5	4	3	2	1	0
CKSEL	0	0	0	0	0	TRD_CKSEL 0	0	SELLOSC 0

<3> Select the operation mode of the subsystem clock with the OSCSELS bit of the CMC register.

Set the OSCSELS bit to 1 to select the XT1 oscillation mode or external clock input mode.

	7	6	5	4	3	2	1	0
CMC	EXCLK 0	OSCSEL 0	EXCLKS 0	OSCSELS 1	0	AMPHS1 0/1	AMPHS0 0/1	AMPH 0

AMPHS0 and AMPHS1 bits: These bits are used to specify the oscillation mode of the XT1 oscillator.

<4> Clear the XTSTOP bit of the CSC register to 0 to start oscillating the XT1 oscillator.

	7	6	5	4	3	2	1	0
CSC	MSTOP 0	XTSTOP 0	0	0	0	0	0	HIOSTOP 0

<5> Use the timer function or another function to wait for oscillation of the subsystem clock to stabilize by using software.

<6> Select the CPU/peripheral hardware clock with the CSS bit of the CKC register.

Set the CSS bit to 1 to specify CPU clock = f_{SL} (XT1 oscillation clock).

	7	6	5	4	3	2	1	0
CKC	CLS 0	CSS 1	MCS 0	MCM0 0	0	0	0	0

<7> Confirm that f_{SL} (XT1 oscillation clock) is selected as the CPU/peripheral hardware clock (CLS = 1) with the CLS bit of the CKC register.

	7	6	5	4	3	2	1	0
CKC	CLS 1	CSS 1	MCS 0	MCM0 0	0	0	0	0

5.6.4 Examples of Setting PLL Circuit

The following PLL setting procedures are described here.

- Oscillating the PLL clock and setting it as the CPU clock
- Stopping the PLL clock

[Register settings] Set the registers in the following order.

(1) Example of procedure for setting oscillation of PLL clock

<1> Select the frequency of the PLL output clock with the PLLDIV1 bit of the PLLCTL register.

When PLL clock ≤ 32 MHz, clear the PLLDIV1 bit to 0. When PLL clock > 32 MHz, set the PLLDIV1 bit to 1.

	7	6	5	4	3	2	1	0
PLLCTL	LCKSEL1	LCKSEL0	PLLDIV1	PLLDIV0		SELPLL	PLLMUL	PLLON
	0/1	0/1	0/1	0/1	0	0	0/1	0

<2> Set the PLL lock-up wait counter with the LCKSEL1 and LCKSEL0 bits of the PLLCTL register.

The counter for the PLL lock-up wait time is set to a period of at least 40 μs. When the PLL source clock (f_{MAIN}) is 4 MHz, set the LCKSEL1 and LCKSEL0 bits to 01 or 10. When the PLL source clock (f_{MAIN}) is 8 MHz, set the LCKSEL1 and LCKSEL0 bits to 10.

<3> Select the frequency division of the PLL clock with the PLLDIV0 bit of the PLLCTL register.

When PLLDIV0 = 0, the PLL division ratio is 2. When PLLDIV0 = 1, the PLL division ratio is 4.

<4> Select the multiplication value of the PLL clock with the PLLMUL bit of the PLLCTL register.

When PLLMUL = 0, the PLL multiplication value is 12. When PLLMUL = 1, the PLL multiplication value is 16.

<5> Wait for the selection of the PLL multiplication value to become effective. After setting the PLLMUL bit, wait for at least 1 μs.

<6> Set the PLLON bit of the PLLCTL register to 1 to start oscillation of the PLL clock.

	7	6	5	4	3	2	1	0
PLLCTL	LCKSEL1	LCKSEL0	PLLDIV1	PLLDIV0		SELPLL	PLLMUL	PLLON
	0/1	0/1	0/1	0/1	0	0	0/1	1

<7> Confirm that the PLL circuit is locked (LOCK = 1) with the LOCK bit of the PLLSTS register.

	7	6	5	4	3	2	1	0
PLLSTS	LOCK							
	1	0	0	0	0	0	0	0

<8> Set the PLL clock between 1 MHz and 32 MHz with the MDIV bits of the MDIV register.

Example: To select f_{MP}/2, set the following value.

	7	6	5	4	3	2	1	0
MDIV						MDIV2	MDIV1	MDIV0
	0	0	0	0	0	0	0	1

<9> Select the PLL clock mode with the SELPLL bit of the PLLCTL register.

Set the SELPLL bit to 1 to select the PLL-clock-selected mode (f_{MP} = f_{PLL}).

	7	6	5	4	3	2	1	0
PLLCTL	LCKSEL1	LCKSEL0	PLLDIV1	PLLDIV0		SELPLL	PLLMUL	PLLON
	0/1	0/1	0/1	0/1	0	1	0/1	1

<10> Confirm that the PLL-clock-selected mode is selected (SELPLLS = 1) with the SELPLLS bit of the PLLSTS register.

	7	6	5	4	3	2	1	0
PLLSTS	LOCK				SELPLLS			
	1	0	0	0	1	0	0	0

(2) Examples of procedure for stopping PLL clock

There is the following method to stop the PLL clock.

- Set the PLLON bit to 0 to stop the PLL clock.

<1> Select the PLL clock mode with the SELPLL bit of the PLLCTL register.

Clear the SELPLL bit to 0 to select the clock through mode ($f_{PLL} = f_{MAIN}$).

	7	6	5	4	3	2	1	0
PLLCTL	LCKSEL1	LCKSEL0	PLLDIV1	PLLDIV0		SELPLL	PLLMUL	PLLON
	0/1	0/1	0/1	0/1	0	0	0/1	1

<2> Confirm that the clock through mode is selected (SELPLLS = 0) with the SELPLLS bit of the PLLSTS register.

	7	6	5	4	3	2	1	0
PLLSTS	LOCK				SELPLLS			
	0/1	0	0	0	0	0	0	0

<3> Clear the PLLON bit of the PLLCTL register to 0 to stop oscillation of the PLL clock.

	7	6	5	4	3	2	1	0
PLLCTL	LCKSEL1	LCKSEL0	PLLDIV1	PLLDIV0		SELPLL	PLLMUL	PLLON
	0/1	0/1	0/1	0/1	0	0	0/1	0

(3) Caution when restarting the PLL clock after being stopped

In a case of restarting the PLL clock after it has been stopped, wait for at least 4 μs after the PLL circuit was stopped before restarting operation.

5.6.5 Example of Setting Low-Speed On-Chip Oscillator

An example of setting the low-speed on-chip oscillator as the CPU clock is shown below.

<1> Select f_{IL} with the SELLOSC bit of the CKSEL register.

Set the SELLOSC bit to 1 to set f_{SL} for the low-speed on-chip oscillator.

	7	6	5	4	3	2	1	0
CKSEL						TRD_CKSEL		SELLOSC
	0	0	0	0	0	0	0	1

<2> Select the operation mode of the subsystem clock with the OSCSELS bit of the CMC register.

Set the OSCSELS bit to 1 to select the input port mode (low-speed on-chip oscillator operation mode).

	7	6	5	4	3	2	1	0
CMC	EXCLK	OSCSEL	EXCLKS	OSCSELS		AMPHS1	AMPHS0	AMPH
	0	0	0	1	0	0/1	0/1	0

<3> Select the CPU/peripheral hardware clock with the CSS bit of the CKC register.

Set the CSS bit to 1 to specify CPU clock = f_{SL} (low-speed on-chip oscillator).

	7	6	5	4	3	2	1	0
CKC	CLS	CSS	MCS	MCM0				
	0	1	0	1	0	0	0	0

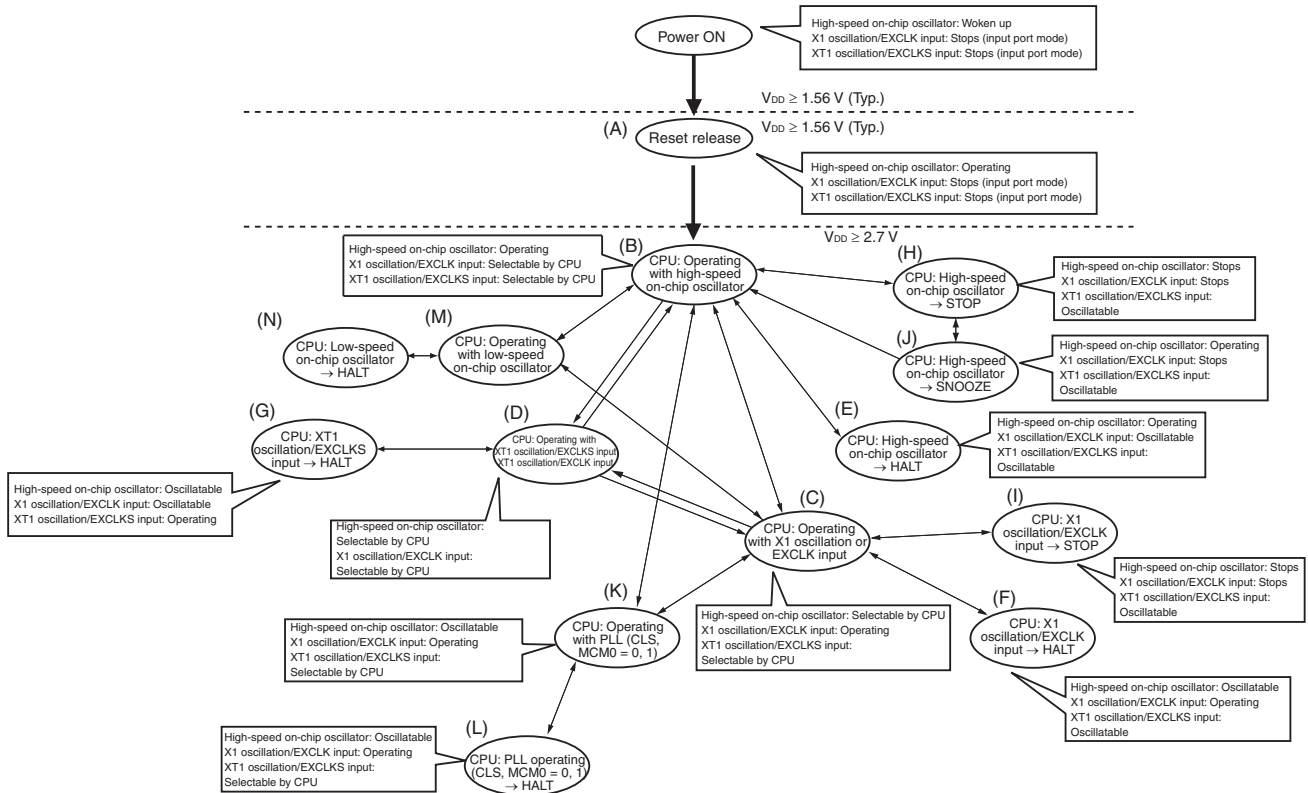
<4> Confirm that f_{SL} (low-speed on-chip oscillator) is selected as the CPU/peripheral hardware clock (CLS = 1) with the CLS bit of the CKC register.

	7	6	5	4	3	2	1	0
CKC	CLS	CSS	MCS	MCM0				
	1	1	0	1	0	0	0	0

5.6.6 CPU Clock Status Transition Diagram

Figure 5-24 shows the CPU clock status transition diagram of this product.

Figure 5-24. CPU Clock Status Transition Diagram



Caution Transitions in the order of (B) → (D) → (C) or (C) → (D) → (B) are prohibited.

The following shows an example of changing the CPU clock and setting the SFR register.

(1) After reset release (A), change the CPU to operating with the high-speed on-chip oscillator clock (B).

(A)→(B): Setting the SFR register is not required (initial status after reset release).

(2) Change the CPU from operating with the high-speed on-chip oscillator clock (B) to operating with the high-speed system clock (C).

- Set the CMC register (EXCLK = 0, OSCSEL = 1, AMPH = x). ^{Note 1}
- Set the OSTS register. ^{Note 2}
- Set the MSTOP bit of the CSC register to 0.
- Check the oscillation stabilization time by using the OSTC register. ^{Note 2}
- Set the MCM0 bit of the CKC register to 1.
- Set the MCS bit of the CKC register to 1.

Notes 1. The clock operation mode control register (CMC) can be written only once by an 8-bit memory manipulation instruction after reset release.

2. Set the oscillation stabilization time of the oscillation stabilization time select register (OSTS) as shown below:

OSTS register setting value ≥ Expected oscillation stabilization time counter status register (OSTC)

(3) Change the CPU from operating with the high-speed on-chip oscillator clock (B) or operating with the high-speed system clock (C) to operating with the subsystem clock (D).

- Set the RTCLPC bit of the OSMC register.
- Set the SELLOSC bit of the CKSEL register to 0.
- Set the CMC register (EXCLKS = x, OSCSELS = 1, AMPHS[1:0] = xx). ^{Note}
- Set the XTSTOP bit of the CSC register to 0.
- Wait for oscillation stabilization.
- Set the CSS bit of the CKC register to 1.
- Confirm that the CLS bit of the CKC register is set to 1.

Note The clock operation mode control register (CMC) can be written only once by an 8-bit memory manipulation instruction after reset release.

(4) Change the CPU from operating with the high-speed on-chip oscillator clock (B) or operating with the high-speed system clock (C) to operating with the low-speed on-chip oscillator clock (M).

- Set the SELLOSC bit of the CKSEL register to 1.
- Set the CMC register (EXCLKS = x, OSCSELS = 1). ^{Note}
- Set the CSS bit of the CKC register to 1.
- Confirm that the CLS bit of the CKC register is set to 1.

Note The clock operation mode control register (CMC) can be written only once by an 8-bit memory manipulation instruction after reset release.

(5) Change the CPU from operating with the high-speed on-chip oscillator clock (B) or operating with the high-speed system clock (C) to operating with the PLL clock (K).

- Set the PLLCTL register (PLLDIV1 = x, LCKSEL[1:0] = xx, PLLDIV0 = x, PLLMUL = x).
- Wait for the selection of the PLL multiplication value to become effective (After setting the PLLMUL bit, wait for at least 1 μ s).
- Set the PLLON bit of the PLLCTL register to 1.
- Confirm that the LOCK bit of the PLLSTS register is set to 1 (checking PLL locked state).
- Set the MDIV [2:0] bits of the MDIV register.
- Set the SELPLL bit of the PLLCTL register to 1.
- Confirm that the SELPLLS bit of the PLLSTS register is set to 1.

(6) Change the CPU from operating with the high-speed system clock (C) to operating with the high-speed on-chip oscillator clock (B).

- Set the HIOSTOP bit of the CSC register to 0. ^{Note}
- Set the MCM0 bit of the CKC register to 0.
- Confirm that the MCS bit of the CKC register is set to 0.

Note When oscillation starts from a high-speed on-chip oscillator clock stop state (HIOSTOP = 1), have the software wait for the following oscillation accuracy stabilization time, and then change the clock.

FRQSEL4 of the user option byte (000C2H/020C2H) = 0: 18 μ s to 65 μ s

FRQSEL4 of the user option byte (000C2H/020C2H) = 1: 18 μ s to 105 μ s

(7) Change the CPU from operating with the subsystem clock (D) or operating with the low-speed on-chip oscillator clock (M) to operating with the high-speed on-chip oscillator clock (B).

- Set the HIOSTOP bit of the CSC register to 0. ^{Note}
- Set the CSS bit of the CKC register to 0.
- Confirm that the CLS bit of the CKC register is set to 0.

Note When oscillation starts from a high-speed on-chip oscillator clock stop state (HIOSTOP = 1), have the software wait for the following oscillation accuracy stabilization time, and then change the clock.

FRQSEL4 of the user option byte (000C2H/020C2H) = 0: 18 μs to 65 μs

FRQSEL4 of the user option byte (000C2H/020C2H) = 1: 18 μs to 105 μs

(8) Change the CPU from operating with the PLL clock (K) to operating with the high-speed system clock (C) or operating with the high-speed on-chip oscillator clock (B).

- Set the SELPLL bit of the PLLCTL register to 0.
- Confirm that the SELPLLS bit of the PLLSTS register is set to 0.

(9) Change the CPU from operating with the subsystem clock (D) or operating with the low-speed on-chip oscillator clock (M) to operating with the high-speed system clock (C).

- Set the CMC register (EXCLK = 0, OSCSEL = 1, AMPH = x). ^{Note 1}
- Set the OSTC register. ^{Note 2}
- Check the oscillation stabilization time by using the OSTC register. ^{Note 2}
- Set the CSS bit of the CKC register to 0.
- Confirm that the CLS bit of the CKC register is set to 0.

Notes 1. The clock operation mode control register (CMC) can be written only once by an 8-bit memory manipulation instruction after reset release.

2. Set the oscillation stabilization time of the oscillation stabilization time select register (OSTS) as shown below:

OSTS register setting value > Expected oscillation stabilization time counter status register (OSTC)

(10) Change the CPU from each operation mode to HALT mode.

- The CPU changes from operating with the high-speed on-chip oscillator clock (B) to HALT mode (E).
- The CPU changes from operating with the high-speed system clock (C) to HALT mode (F).
- The CPU changes from operating with the subsystem clock (D) to HALT mode (G).
- The CPU changes from operating with the PLL clock (K) to HALT mode (L).
- The CPU changes from operating with the low-speed on-chip oscillator clock (M) to HALT mode (N).
 - Execute the HALT instruction.

(11) The CPU changes from operating with the high-speed on-chip oscillator clock (B) to STOP mode (H).

- Stop peripheral functions that are not operated in STOP mode.
- Execute the STOP instruction.

(12) The CPU changes from operating with the high-speed system clock (C) to STOP mode (I).

- Stop peripheral functions that are not operated in STOP mode.
- Set the OSTC register. ^{Note}
- Execute the STOP instruction.

Note Set the oscillation stabilization time of the oscillation stabilization time select register (OSTS) as shown below:
OSTS register setting value > Expected oscillation stabilization time counter status register (OSTC)

(13) Change the CPU from STOP mode (H) to SNOOZE mode (J).

For details about the settings for entering SNOOZE mode, see 24.3.3 SNOOZE Mode and peripheral functions that are used.

- Remarks**
1. "x" shown in the settings of the SFR register for changing each mode represents an arbitrary value (the settings to be used).
 2. For details about transition and recovery to the standby function (HALT mode, STOP mode, and SNOOZE mode), see **CHAPTER 24 STANDBY FUNCTION** and peripheral functions that are used.

5.6.7 Conditions before Changing CPU Clock and Processing after Changing CPU Clock

The following table shows the conditions before changing the CPU clock and the processing after changing the CPU clock.

Table 5-3. Changing CPU Clock (1/7)

CPU Clock		Conditions before Change	Processing after Change
Before Change	After Change		
High-speed on-chip oscillator clock	X1 clock	X1 oscillation is stable. • OSCSEL = 1, EXCLK = 0, MSTOP = 0 • After elapse of oscillation stabilization time	Stopping the high-speed on-chip oscillator (HIOSTOP = 1) can reduce the operating current.
	External main system clock	External clock input from the EXCLK pin is enabled. • OSCSEL = 1, EXCLK = 1, MSTOP = 0	
	XT1 clock	XT1 oscillation is stable, and the subsystem clock is selected as the subsystem/low-speed on-chip oscillator select clock. • OSCSELS = 1, EXCLKS = 0, XTSTOP = 0 • SELLOSC = 0 • After elapse of oscillation stabilization time	
	External subsystem clock	External clock input from the EXCLKS pin is enabled, and the subsystem clock is selected as the subsystem/low-speed on-chip oscillator select clock. • OSCSELS = 1, EXCLKS = 1, XTSTOP = 0 • SELLOSC = 0	
	Low-speed on-chip oscillator clock	The low-speed on-chip oscillator starts oscillation, and the low-speed on-chip oscillator clock is selected as the subsystem/low-speed on-chip oscillator select clock. • OSCSELS = 1, SELLOSC = 1	
	PLL clock	PLL oscillation is stable. • LOCK = 1, PLLON = 1	The high-speed on-chip oscillator cannot be stopped because it is the PLL input clock.

Remark For details about the register flag settings for stopping the target clock during the processing after change and conditions before the clock is stopped, see **5.6.9 Conditions Before Clock Oscillation Is Stopped**.

Table 5-3. Changing CPU Clock (2/7)

CPU Clock		Conditions before Change	Processing after Change
Before Change	After Change		
X1 clock	High-speed on-chip oscillator clock	The high-speed on-chip oscillator starts oscillation. • HIOSTOP = 0	X1 oscillation can be stopped. (MSTOP = 1)
	External main system clock	Prohibited to change. (To change the CPU clock, clear the settings first and then reset the settings.)	—
	XT1 clock	XT1 oscillation is stable, and the subsystem clock is selected as the subsystem/low-speed on-chip oscillator select clock. • OSCSELS = 1, EXCLKS = 0, XTSTOP = 0 • SELLOSC = 0 • After elapse of oscillation stabilization time	X1 oscillation can be stopped. (MSTOP = 1)
	External subsystem clock	External clock input from the EXCLKS pin is enabled, and the subsystem clock is selected as the subsystem/low-speed on-chip oscillator select clock. • OSCSELS = 1, EXCLKS = 1, XTSTOP = 0 • SELLOSC = 0	
	Low-speed on-chip oscillator clock	The low-speed on-chip oscillator starts oscillation, and the low-speed on-chip oscillator clock is selected as the subsystem/low-speed on-chip oscillator select clock. • OSCSELS = 1, SELLOSC = 1	
	PLL clock	PLL oscillation is stable. • LOCK = 1, PLLON = 1	The X1 clock cannot be stopped because it is the PLL input clock.

Remark For details about the register flag settings for stopping the target clock during the processing after change and conditions before the clock is stopped, see **5.6.9 Conditions Before Clock Oscillation Is Stopped**.

Table 5-3. Changing CPU Clock (3/7)

CPU Clock		Conditions before Change	Processing after Change
Before Change	After Change		
External main system clock	High-speed on-chip oscillator clock	The high-speed on-chip oscillator starts oscillation. • HIOSTOP = 0	The external main system clock input can be disabled. (MSTOP = 1)
	X1 clock	Prohibited to change. (To change the CPU clock, clear the settings first and then reset the settings.)	—
	XT1 clock	XT1 oscillation is stable, and the subsystem clock is selected as the subsystem/low-speed on-chip oscillator select clock. • OSCSELS = 1, EXCLKS = 0, XTSTOP = 0 • SELLOSC = 0 • After elapse of oscillation stabilization time	The external main system clock input can be disabled. (MSTOP = 1)
	External subsystem clock	External clock input from the EXCLKS pin is enabled, and the subsystem clock is selected as the subsystem/low-speed on-chip oscillator select clock. • OSCSELS = 1, EXCLKS = 1, XTSTOP = 0 • SELLOSC = 0	
	Low-speed on-chip oscillator clock	The low-speed on-chip oscillator starts oscillation, and the low-speed on-chip oscillator clock is selected as the subsystem/low-speed on-chip oscillator select clock. • OSCSELS = 1, SELLOSC = 1	
	PLL clock	PLL oscillation is stable. • LOCK = 1, PLLON = 1	The external main system clock cannot be stopped because it is the PLL input clock.

Remark For details about the register flag settings for stopping the target clock during the processing after change and conditions before the clock is stopped, see **5.6.9 Conditions Before Clock Oscillation Is Stopped**.

Table 5-3. Changing CPU Clock (4/7)

CPU Clock		Conditions before Change	Processing after Change
Before Change	After Change		
XT1 clock	High-speed on-chip oscillator clock	The high-speed on-chip oscillator starts oscillation, and the high-speed on-chip oscillator clock is selected as the main system clock. <ul style="list-style-type: none"> • HIOSTOP = 0, MCS = 0 	XT1 oscillation can be stopped. (XTSTOP = 1)
	X1 clock	X1 oscillation is stable, and the high-speed system clock is selected as the main system clock. <ul style="list-style-type: none"> • OSCSEL = 1, EXCLK = 0, MSTOP = 0 • After elapse of oscillation stabilization time • MCS = 1 	
	External main system clock	External clock input from the EXCLK pin is enabled, and the high-speed system clock is selected as the main system clock. <ul style="list-style-type: none"> • OSCSEL = 1, EXCLK = 1, MSTOP = 0 • SELLOSC = 0, MCS = 1 	
	External subsystem clock	Prohibited to change. (To change the CPU clock, clear the settings first and then reset the settings.)	—
	Low-speed on-chip oscillator clock	Prohibited to change. (To change the CPU clock, specify the main system/PLL select clock as the CPU clock first and then reset the settings.)	—

Remark For details about the register flag settings for stopping the target clock during the processing after change and conditions before the clock is stopped, see **5.6.9 Conditions Before Clock Oscillation Is Stopped**.

Table 5-3. Changing CPU Clock (5/7)

CPU Clock		Conditions before Change	Processing after Change
Before Change	After Change		
External subsystem clock	High-speed on-chip oscillator clock	The high-speed on-chip oscillator starts oscillation, and the high-speed on-chip oscillator clock is selected as the main system clock. <ul style="list-style-type: none"> • HIOSTOP = 0, MCS = 0 	The external subsystem clock input can be disabled. (XTSTOP = 1)
	X1 clock	X1 oscillation is stable, and the high-speed system clock is selected as the main system clock. <ul style="list-style-type: none"> • OSCSEL = 1, EXCLK = 0, MSTOP = 0 • After elapse of oscillation stabilization time • MCS = 1 	
	External main system clock	External clock input from the EXCLK pin is enabled, and the high-speed system clock is selected as the main system clock. <ul style="list-style-type: none"> • OSCSEL = 1, EXCLK = 1, MSTOP = 0 • SELLOSC = 0, MCS = 1 	
	XT1 clock	Prohibited to change. (To change the CPU clock, clear the settings first and then reset the settings.)	—
	Low-speed on-chip oscillator clock	Prohibited to change. (To change the CPU clock, specify the main system/PLL select clock as the CPU clock first and then reset the settings.)	

Remark For details about the register flag settings for stopping the target clock during the processing after change and conditions before the clock is stopped, see **5.6.9 Conditions Before Clock Oscillation Is Stopped**.

Table 5-3. Changing CPU Clock (6/7)

CPU Clock		Conditions before Change	Processing after Change
Before Change	After Change		
Low-speed on-chip oscillator clock	High-speed on-chip oscillator clock	The high-speed on-chip oscillator starts oscillation, and the high-speed on-chip oscillator clock is selected as the main system clock. <ul style="list-style-type: none"> • HIOSTOP = 0, MCS = 0 	The low-speed on-chip oscillator can be stopped. (SELLOSC = 0, WUTMMCK0 = 0)
	X1 clock	X1 oscillation is stable, and the high-speed system clock is selected as the main system clock. <ul style="list-style-type: none"> • OSCSEL = 1, EXCLK = 0, MSTOP = 0 • After elapse of oscillation stabilization time • MCS = 1 	
	External main system clock	External clock input from the EXCLK pin is enabled, and the high-speed system clock is selected as the main system clock. <ul style="list-style-type: none"> • OSCSEL = 1, EXCLK = 1, MSTOP = 0 • SELLOSC = 0, MCS = 1 	
	XT1 clock	Prohibited to change. (To change the CPU clock, specify the main system/PLL select clock as the CPU clock first and then reset the settings.)	—
	External subsystem clock	Prohibited to change. (To change the CPU clock, specify the main system/PLL select clock as the CPU clock first and then reset the settings.)	

Remark For details about the register flag settings for stopping the target clock during the processing after change and conditions before the clock is stopped, see **5.6.9 Conditions Before Clock Oscillation Is Stopped**.

Table 5-3. Changing CPU Clock (7/7)

CPU Clock		Conditions before Change	Processing after Change
Before Change	After Change		
PLL clock	High-speed on-chip oscillator clock	The high-speed on-chip oscillator starts oscillation, and the high-speed on-chip oscillator clock is selected as the main system clock. <ul style="list-style-type: none"> • HIOSTOP = 0, MCS = 0 	The PLL clock can be stopped. (PLLON = 0)
	X1 clock	X1 oscillation is stable, and the high-speed system clock is selected as the main system clock. <ul style="list-style-type: none"> • OSCSEL = 1, EXCLK = 0, MSTOP = 0 • After elapse of oscillation stabilization time • MCS = 1 	
	External main system clock	External clock input from the EXCLK pin is enabled, and the high-speed system clock is selected as the main system clock. <ul style="list-style-type: none"> • OSCSEL = 1, EXCLK = 1, MSTOP = 0 • SELLOSC = 0, MCS = 1 	

Remark For details about the register flag settings for stopping the target clock during the processing after change and conditions before the clock is stopped, see **5.6.9 Conditions Before Clock Oscillation Is Stopped**.

5.6.8 Time Required for Switchover of CPU Clock, Main System/PLL Select Clock, and Main System Clock

By setting bits 4 and 6 (MCM0, CSS) of the system clock control register (CKC), bits 0 to 2 (MDIV0 to MDIV2) of the f_{MP} clock division register (MDIV), and bit 0 (SELLOSC) of the clock select register (CKSEL), the CPU clock can be switched (between the main system/PLL select clock and the subsystem/low-speed on-chip oscillator select clock), the main system/PLL select clock can be switched (between the main system clock and the PLL clock), the main system clock can be switched (between the high-speed on-chip oscillator clock and the high-speed system clock), the subsystem/low-speed on-chip oscillator select clock can be switched (between the subsystem clock and the low-speed on-chip oscillator clock), and the frequency division ratio of the main system/PLL select clock can be changed.

The actual switchover operation is not performed immediately after rewriting to the CKC or MDIV register; operation continues on the pre-switchover clock for several clocks. The subsystem/low-speed on-chip oscillator select clock is switched immediately after rewriting to the CKSEL register.

Whether the CPU is operating on the main system/PLL select clock or the subsystem/low-speed on-chip oscillator select clock can be ascertained using bit 7 (CLS) of the CKC register.

Whether the main system/PLL select clock is operating on the main system clock or the PLL clock can be ascertained using bit 3 (SELPLLS) of the PLL status register (PLLSTS).

Whether the main system clock is operating on the high-speed on-chip oscillator clock or the high-speed system clock can be ascertained using bit 5 (MCS) of the CKC register.

When the CPU clock is switched, the peripheral hardware clock is also switched.

Table 5-4. Maximum Time Required for Clock Switchover

Clock A	Switching directions	Clock B	Type
f_{MP}	↔ (change of the frequency division ratio)	f_{MP}	Type 1 (Table 5-5)
f_{IH}	↔	f_{MX}	Type 2 (Table 5-6)
f_{MP}	↔	f_{SL}	Type 3 (Table 5-7)
f_{MAIN}	↔	f_{PLL}	Type 4 (Table 5-8)

Table 5-5. Maximum Time Required for Type 1

Set Value Before Switchover	Set Value After Switchover	
	Clock A	Clock B
Clock A		$1 + f_A/f_B$ clock
Clock B	$1 + f_B/f_A$ clock	

Table 5-6. Maximum Time Required for Type 2 (1)^{Note}

Set Value Before Switchover		Set Value After Switchover	
MCM0		MCM0	
		0 ($f_{MAIN} = f_{IH}$)	1 ($f_{MAIN} = f_{MX}$)
0 ($f_{MAIN} = f_{IH}$)	$f_{MX} \geq f_{IH}$		3 clocks
	$f_{MX} < f_{IH}$		$3 f_{IH}/f_{MX}$ clock
1 ($f_{MAIN} = f_{MX}$)	$f_{MX} > f_{IH}$	$3 f_{MX}/f_{IH}$ clock	
	$f_{MX} \leq f_{IH}$	3 clocks	

Note For $f_{IH} \leq 32$ MHz

(Remarks are listed on the next page.)

Table 5-6. Maximum Time Required for Type 2 (2)^{Note}

Set Value Before Switchover	Set Value After Switchover	
MCM0	MCM0	
	0 (f _{MAIN} = f _{IH})	1 (f _{MAIN} = f _{MX})
0 (f _{MAIN} = f _{IH})	3 clocks	6 f _{IH} /f _{MX} clock
1 (f _{MAIN} = f _{MX})		

Note For f_{IH} > 32 MHz

Table 5-7. Maximum Time Required for Type 3

Set Value Before Switchover	Set Value After Switchover	
CSS	CSS	
	0 (f _{CLK} = f _{MP})	1 (f _{CLK} = f _{SL})
0 (f _{CLK} = f _{MP})	3 clocks	1 + 2 f _{MP} /f _{SL} clock
1 (f _{CLK} = f _{SL})		

Table 5-8. Maximum Time Required for Type 4

Set Value Before Switchover	Set Value After Switchover	
SELPLL	SELPLL	
	0 (f _{MP} = f _{MAIN})	1 (f _{MP} = f _{PLL})
0 (f _{MP} = f _{MAIN})	2 f _{PLL} /f _{MAIN} clock	2 clocks
1 (f _{MP} = f _{PLL})		

- Remarks**
1. The number of clocks listed in Tables 5-5 to 5-8 is the number of CPU clocks before switchover.
 2. Calculate the number of clocks in Tables 5-5 to 5-8 by removing the decimal portion.

Example When switching the main system clock from the high-speed on-chip oscillator clock (with 16 MHz) to the high-speed system clock (@ oscillation with f_{IH} = 16 MHz, f_{MX} = 10 MHz)
 $3 f_{IH}/f_{MX} = 3 \times 1.6 = 4.8 \rightarrow 5$ clocks

5.6.9 Conditions Before Clock Oscillation Is Stopped

The following lists the register flag settings for stopping the clock oscillation (disabling external clock input) and conditions before the clock oscillation is stopped.

Table 5-9. Conditions Before the Clock Oscillation Is Stopped and Flag Settings

Clock	Conditions Before Clock Oscillation Is Stopped (External Clock Input Disabled)	Flag Settings of SFR Register
High-speed on-chip oscillator clock	MCS = 1 or CLS = 1 (The CPU is operating on a clock other than the high-speed on-chip oscillator clock.)	HIOSTOP = 1
X1 clock	MCS = 0 or CLS = 1 (The CPU is operating on a clock other than the high-speed system clock.)	MSTOP = 1
External main system clock		
PLL clock	SELPLLS = 0 (The CPU is operating on a clock other than the PLL clock.)	PLLON = 0
XT1 clock	CLS = 0 (The CPU is operating on a clock other than the subsystem/low-speed on-chip oscillator clock.)	XTSTOP = 1
External subsystem clock		
Low-speed on-chip oscillator clock	CLS = 0 (The CPU is operating on a clock other than the subsystem/low-speed on-chip oscillator clock.)	SELLOSC = 0 and WUTMMCK0 = 0

Remark

- MCS: Bit 5 of the system clock control register (CKC)
- CLS: Bit 7 of the system clock control register (CKC)
- HIOSTOP: Bit 0 of the clock operation status control register (CSC)
- XTSTOP: Bit 6 of the clock operation status control register (CSC)
- MSTOP: Bit 7 of the clock operation status control register (CSC)
- SELPLLS: Bit 3 of the PLL status register (PLLSTS)
- PLLON: Bit 0 of the PLL control register (PLLCTL)
- SELLOSC: Bit 1 of the clock select register (CKSEL)
- WUTMMCK0: Bit 4 of the operation speed mode control register (OSMC)

5.7 Usage Notes

5.7.1 CPU/Peripheral Hardware Clock

The clock set by the CSS, MCM0, SELPLL, and MDIV2 to MDIV0 bits is supplied to the CPU and peripheral hardware modules. If the CPU clock is changed, the clock supplied to the peripheral hardware modules is simultaneously changed. Therefore, when changing the CPU/peripheral hardware clock, operation of the peripheral hardware modules needs to be stopped before the change.

5.7.2 High-Speed On-Chip Oscillator

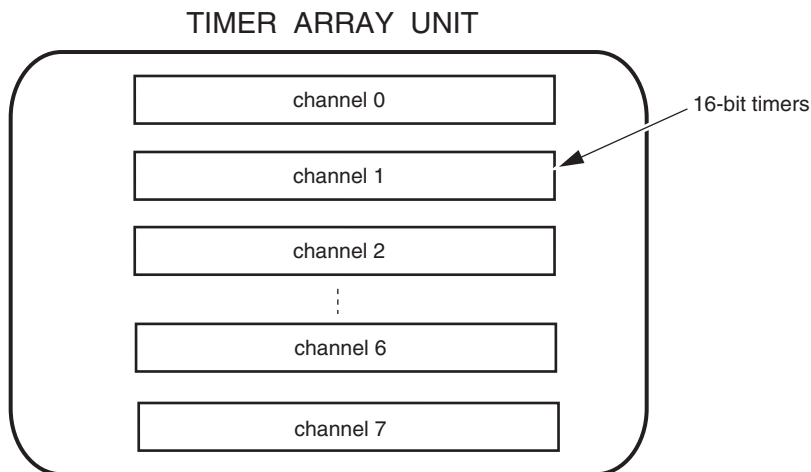
When the FRQSEL3 bit is set to 0 (high-speed on-chip oscillator = 48/24/12/6/3 MHz), and moreover the CPU/peripheral hardware clock is selected as the PLL clock, the CPU/peripheral hardware clock frequency (f_{CLK}) must not be set to 32 MHz.

CHAPTER 6 TIMER ARRAY UNIT

The timer array unit has eight 16-bit timers.

Each 16-bit timer is called a channel and can be used as an independent timer. In addition, two or more “channels” can be used to create a high-accuracy timer.

One timer array unit incorporates 8 channels of 0 to 7. Three units of TAU0, TAU1 and TAU2 are mounted in 144-pin products. However, TAU1 and TAU2 are assigned same addressed registers. A register access must be done for TAU1 or TAU2 after pointed the objective unit by TSEL0 bit of unit select register (UTSEL).



For details about each function, see the table below.

Independent channel operation function	Simultaneous channel operation function
<ul style="list-style-type: none"> • Interval timer (→ refer to 6.7.1) • Square wave output (→ refer to 6.7.1) • External event counter (→ refer to 6.7.2) • Divider function (→ refer to 6.7.3) • Input pulse interval measurement (→ refer to 6.7.4) • Measurement of high-/low-level width of input signal (→ refer to 6.7.5) • Delay counter (→ refer to 6.7.6) 	<ul style="list-style-type: none"> • One-shot pulse output(→ refer to 6.8.1) • PWM output(→ refer to 6.8.2) • Multiple PWM output(→ refer to 6.8.3)

It is possible to use the 16-bit timer of channels 1 and 3 of the units 0 and 1 as two 8-bit timers (higher and lower). The functions that can use channels 1 and 3 as 8-bit timers are as follows:

- Interval timer
- External event counter (lower 8-bit timer only)
- Delay counter (lower 8-bit timer only)

Channel 7 of timer array unit 0 can be used to realize LIN-bus communication operating in combination with UART0 of the serial array unit.

6.1 Functions of Timer Array Unit

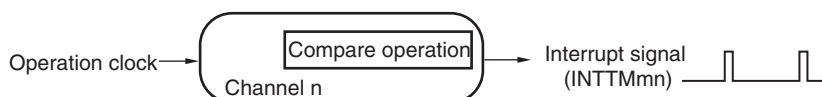
Timer array unit has the following functions.

6.1.1 Independent channel operation function

By operating a channel independently, it can be used for the following purposes without being affected by the operation mode of other channels.

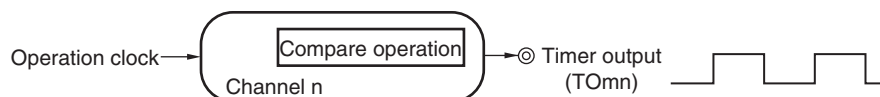
(1) Interval timer

Each timer of a unit can be used as a reference timer that generates an interrupt (INTTMmn) at fixed intervals.



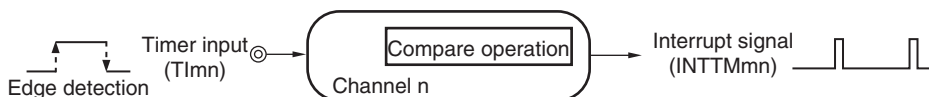
(2) Square wave output

A toggle operation is performed each time INTTMmn interrupt is generated and a square wave with a duty factor of 50% is output from a timer output pin (TOMn).



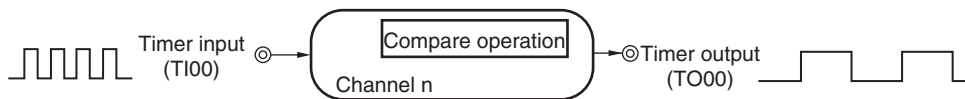
(3) External event counter

Each timer of a unit can be used as an event counter that generates an interrupt when the number of the valid edges of a signal input to the timer input pin (TImn) has reached a specific value.



(4) Divider function

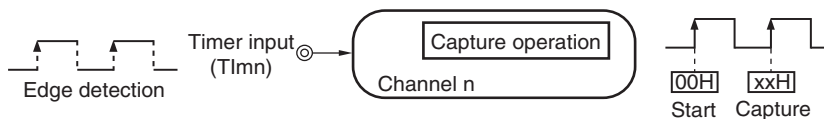
A clock input from a timer input pin (TImn) is divided and output from an output pin (TOMn).



Set the TImn and TOMn pins so that they are different from each other by the peripheral I/O redirection registers 0, 1, 2, 3, 10, and 11 (PIOR0, PIOR1, PIOPR2, PIOR3, PIOR10 and PIOR11).

(5) Input pulse interval measurement

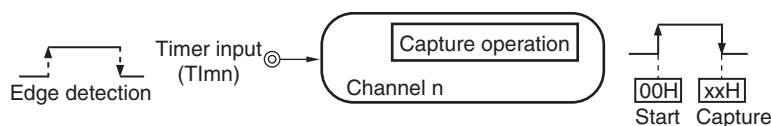
Counting is started by the valid edge of a pulse signal input to a timer input pin (TImn). The count value of the timer is captured at the valid edge of the next pulse. In this way, the interval of the input pulse can be measured.



(Remarks are listed on the next page.)

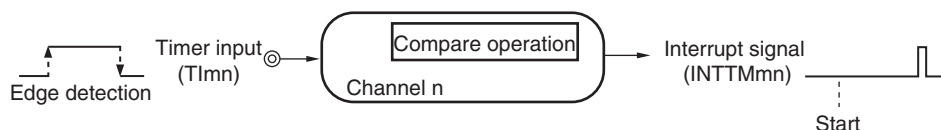
(6) Measurement of high-/low-level width of input signal

Counting is started by a single edge of the signal input to the timer input pin (TImn), and the count value is captured at the other edge. In this way, the high-level or low-level width of the input signal can be measured.



(7) Delay counter

Counting is started at the valid edge of the signal input to the timer input pin (TImn), and an interrupt is generated after any delay period.



Remarks 1 m: Unit number (m = 0 to 2), n: Channel number (n = 0 to 7)

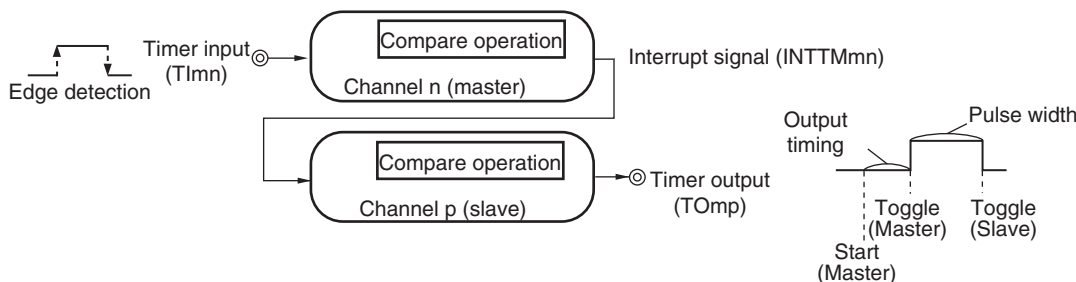
2. The presence or absence of timer I/O pins of channels 0 to 7 depends on the product. See **Table 6-2 Timer I/O Pins provided in Each Product** for details.

6.1.2 Simultaneous channel operation function

By using the combination of a master channel (a reference timer mainly controlling the cycle) and slave channels (timers operating according to the master channel), channels can be used for the following purposes.

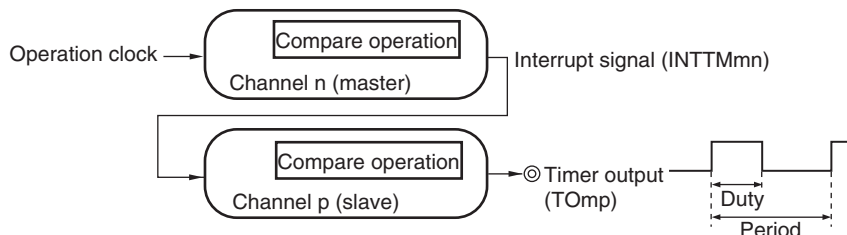
(1) One-shot pulse output

Two channels are used as a set to generate a one-shot pulse with a specified output timing and a specified pulse width.



(2) PWM (Pulse Width Modulation) output

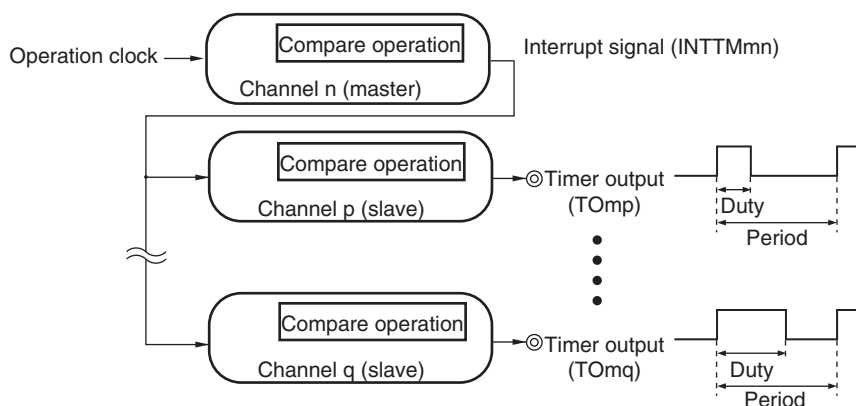
Two channels are used as a set to generate a pulse with a specified period and a specified duty factor.



(Caution and Remark are listed on the next page.)

(3) Multiple PWM (Pulse Width Modulation) output

By extending the PWM function and using one master channel and two or more slave channels, up to seven types of PWM signals that have a specific period and a specified duty factor can be generated.



Caution There are several rules for using simultaneous channel operation function. For details, see 6.4.1 Basic rules of simultaneous channel operation function.

Remark m: Unit number (m = 0 to 2), n: Channel number (n = 0 to 7),
 p, q: Slave channel number (n < p < q ≤ 7)

6.1.3 8-bit timer operation function (TAU0 and TAU1 channels 1 and 3 only)

The 8-bit timer operation function makes it possible to use a 16-bit timer channel in a configuration consisting of two 8-bit timer channels. This function can only be used for TAU0 and TAU1 channels 1 and 3.

- Cautions**
1. There are several rules for using 8-bit timer operation function. For details, see 6.4.2 Basic rules of 8-bit timer operation function (TAU0 and TAU1 channels 1 and 3 only).
 2. TAU2 does not operate as 8-bit timer.

6.1.4 LIN-bus supporting function (channel 7 of unit 0 only)

Timer array unit is used to check whether signals received in LIN-bus communication match the LIN-bus communication format.

(1) Detection of wakeup signal

The timer starts counting at the falling edge of a signal input to the serial data input pin (RXD0) of UART0 and the count value of the timer is captured at the rising edge. In this way, a low-level width can be measured. If the low-level width is greater than a specific value, it is recognized as a wakeup signal.

(2) Detection of sync break field

The timer starts counting at the falling edge of a signal input to the serial data input pin (RXD0) of UART0 after a wakeup signal is detected, and the count value of the timer is captured at the rising edge. In this way, a low-level width is measured. If the low-level width is greater than a specific value, it is recognized as a sync break field.

(3) Measurement of pulse width of sync field

After a sync break field is detected, the low-level width and high-level width of the signal input to the serial data input pin (RXD0) of UART0 are measured. From the bit interval of the sync field measured in this way, a baud rate is calculated.

Remark For details about setting up the operations used to implement the LIN-bus, see **6.7.5 Operation as input signal high-/low-level width measurement**.

6.2 Configuration of Timer Array Unit

Timer array unit includes the following hardware.

Table 6-1. Configuration of Timer Array Unit

Item	Configuration
Timer/counter	Timer count register mn (TCRmn)
Register	Timer data register mn (TDRmn)
Timer input	TI00 to TI07, TI10 to TI17, TI20 to TI27 ^{Note 1} , RXD0 pin (for LIN-bus)
Timer output	TO00 to TO07, TO10 to TO17, TO20 to TO27 ^{Note 1} , output controller
Control registers	<p><Registers of unit setting block></p> <ul style="list-style-type: none"> • Peripheral enable register 0 (PER0) • Peripheral enable register 1 (PER1) • Timer clock select register m (TPSm) • Timer channel enable status register m (TEm) • Timer channel start register m (TSM) • Timer channel stop register m (TTm) • Timer input select register 0 (TIS0) • Timer input select register 1 (TIS1) • Timer input select register 2 (TIS2) • Timer output enable register m (TOEm) • Timer output register m (TOm) • Timer output level register m (TOLm) • Timer output mode register m (TOMm) • PWM output delay control register 1 (PWMDLY1) • PWM output delay control register 2 (PWMDLY2) • PWM output delay control register 1 (PWMDLY3) • Unit select register <p><Registers of each channel></p> <ul style="list-style-type: none"> • Timer mode register mn (TMRmn) • Timer status register mn (TSRmn) • Noise filter enable registers 1, 2, 3 (NFEN1, NFEN2, NFEN3) • Port mode register (PMxx)^{Note 2} • Port register (Pxx)^{Note 2}

- Notes**
1. The presence or absence of timer I/O pins of channel 0 to 7 of the unit depends on the product. See **Table 6-2 Timer I/O Pins provided in Each Product** for details.
 2. The port mode registers (PMxx) and port registers (Pxx) to be set differ depending on the product. For details, see **6.3.17 Port mode registers 0, 1, 3, 4, 5, 6, 7, 11, 12, 14 (PM0, PM1, PM3, PM4, PM5, PM6, PM7, PM11, PM12, PM14)**.
 3. PWM output delay control register (PWMDLY3), unit select register (UTSEL) and noise filter enable register (NFEN3) are incorporated only in 144-pin products.

Remark 144-pin products m: Unit number (m = 0 to 2), n: Channel number (n = 0 to 7)
 100-pin, 80-pin, 64-pin, and 48-pin products m: Unit number (m = 0 and 1), n: Channel number (n = 0 to 7)

The presence or absence of timer I/O pins in each timer array unit channel depends on the product.

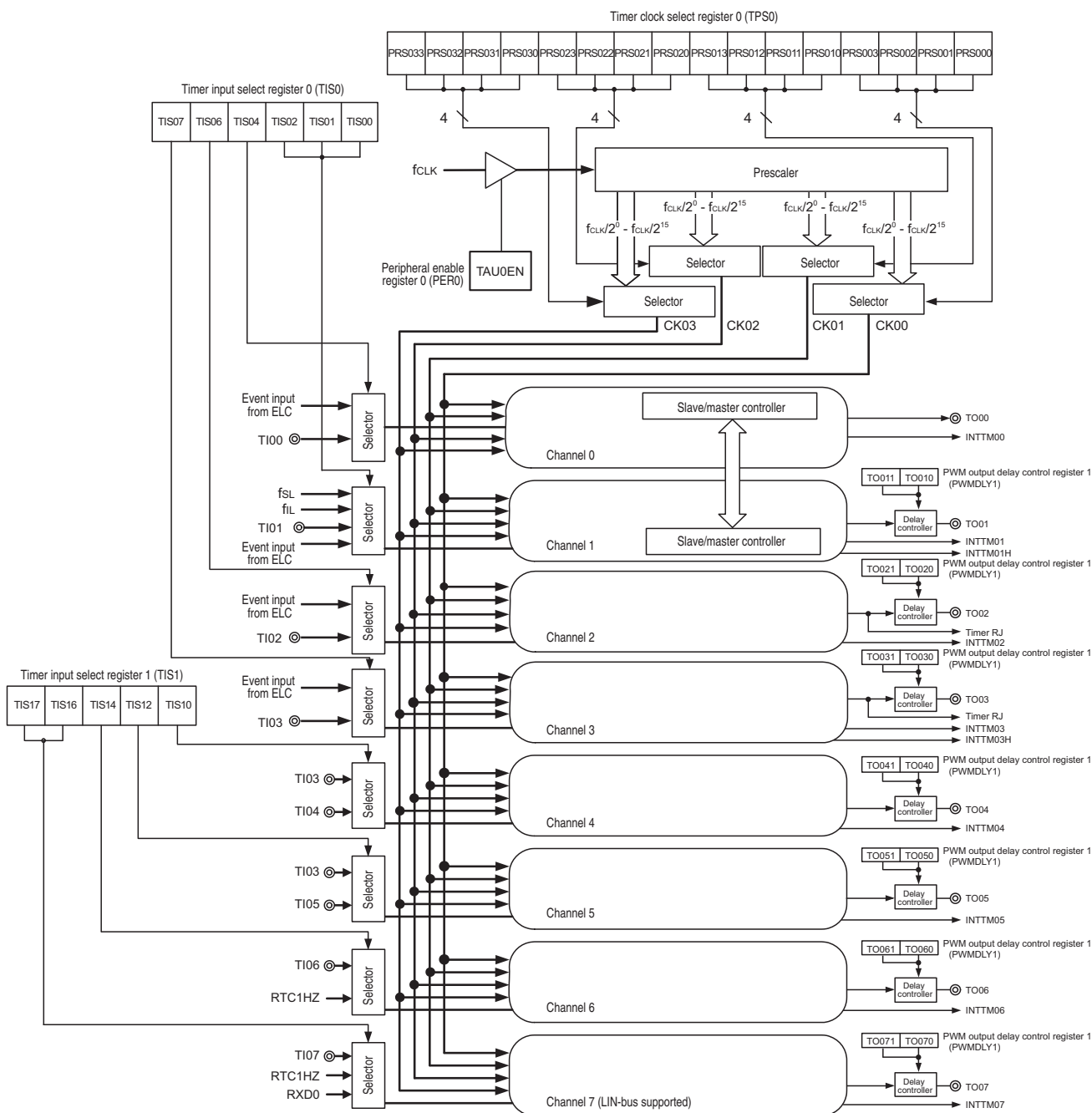
Table 6-2. Timer I/O Pins provided in Each Product

Timer array unit channels		I/O Pins of Each Product	
		144-pin	100-pin
Unit 0	Channel 0	P17/TI00/TO00	
	Channel 1	P30/TI01/TO01	
	Channel 2	P16/TI02/TO02	
	Channel 3	P125/TI03/TO03	
	Channel 4	P13/TI04/TO04	
	Channel 5	P15/TI05/TO05	
	Channel 6	P14/TI06/TO06	
	Channel 7	P120/TI07/TO07	
Unit 1	Channel 0	P41/TI10/TO10	
	Channel 1	P12/TI11/TO11	
	Channel 2	P11/TI12/TO12	
	Channel 3	P10/TI13/TO13	
	Channel 4	P31/TI14/TO14	
	Channel 5	P70/TI15/TO15	
	Channel 6	P32/TI16/TO16	
	Channel 7	P71/TI17/TO17	
Unit 2	Channel 0	P110/TI20/TO20	x
	Channel 1	P111/TI21/TO21	x
	Channel 2	P112/TI22/TO22	x
	Channel 3	P113/TI23/TO23	x
	Channel 4	P114/TI24/TO24	x
	Channel 5	P115/TI25/TO25	x
	Channel 6	P116/TI26/TO26	x
	Channel 7	P117/TI27/TO27	x

- Remarks 1.** When timer input and timer output are shared by the same pin, either only timer input or only timer output can be used.
- 2.** x: Not incorporated in the channel.

Figures 6-1 to 6-3 show the block diagrams of the timer array unit.

Figure 6-1. Entire Configuration of Timer Array Unit 0 (Example: 144-pin products)



Remark f_{SL}: Sub/low-speed on-chip oscillator clock
 f_{IL}: Low-speed on-chip oscillator clock frequency

Figure 6-2. Entire Configuration of Timer Array Unit 1

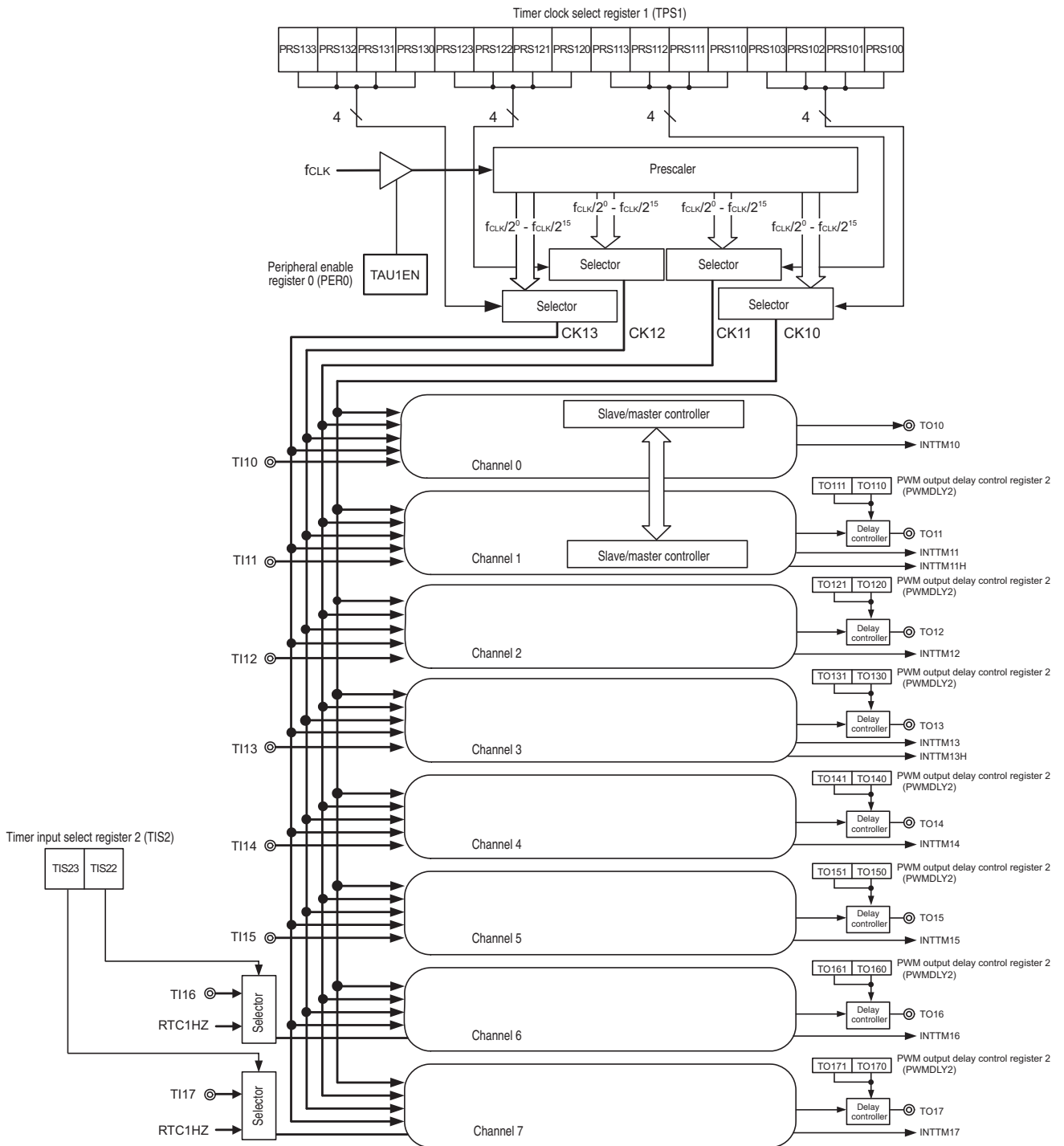


Figure 6-3. Entire Configuration of Timer Array Unit 2 (144-pin products)

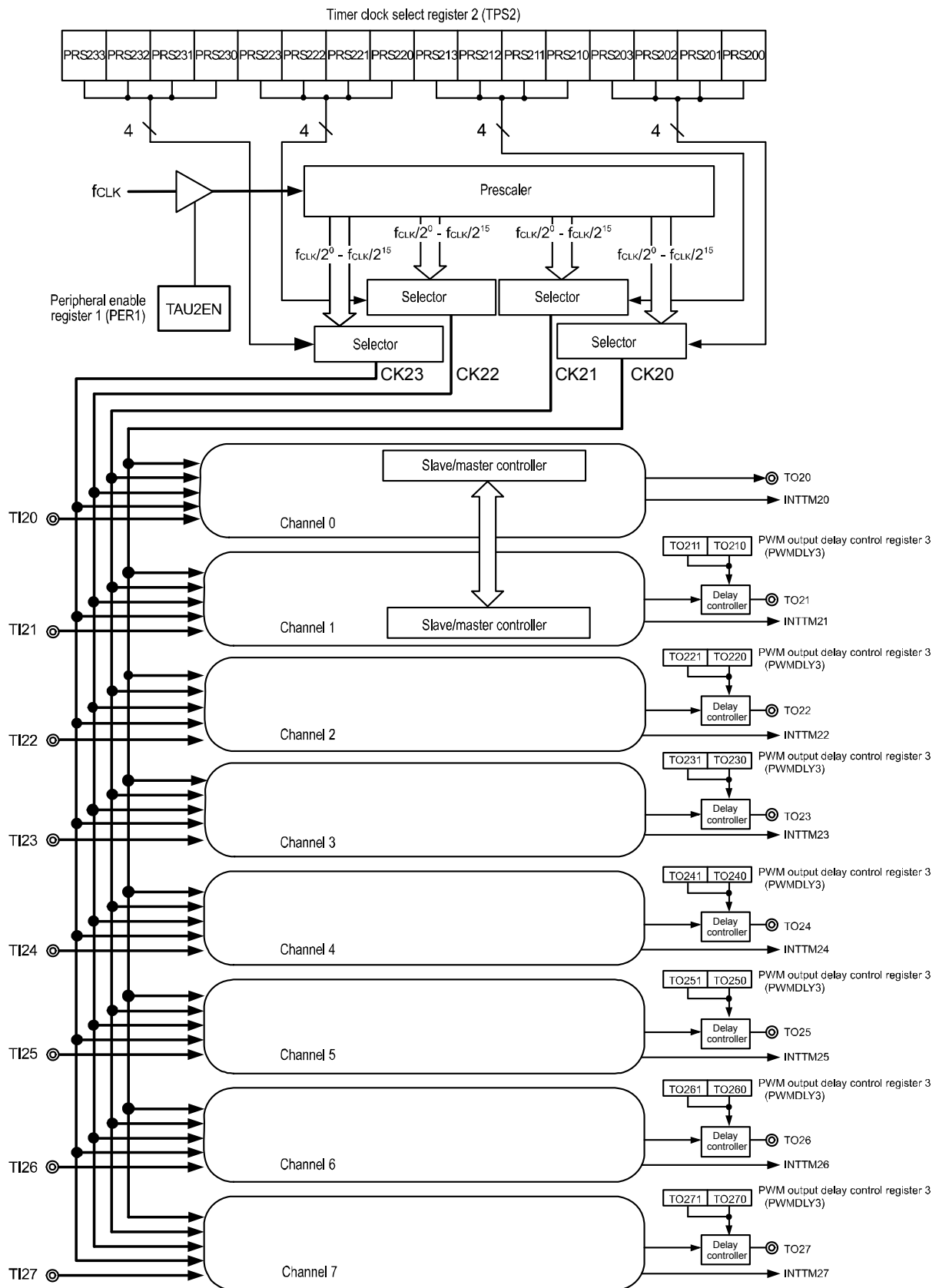
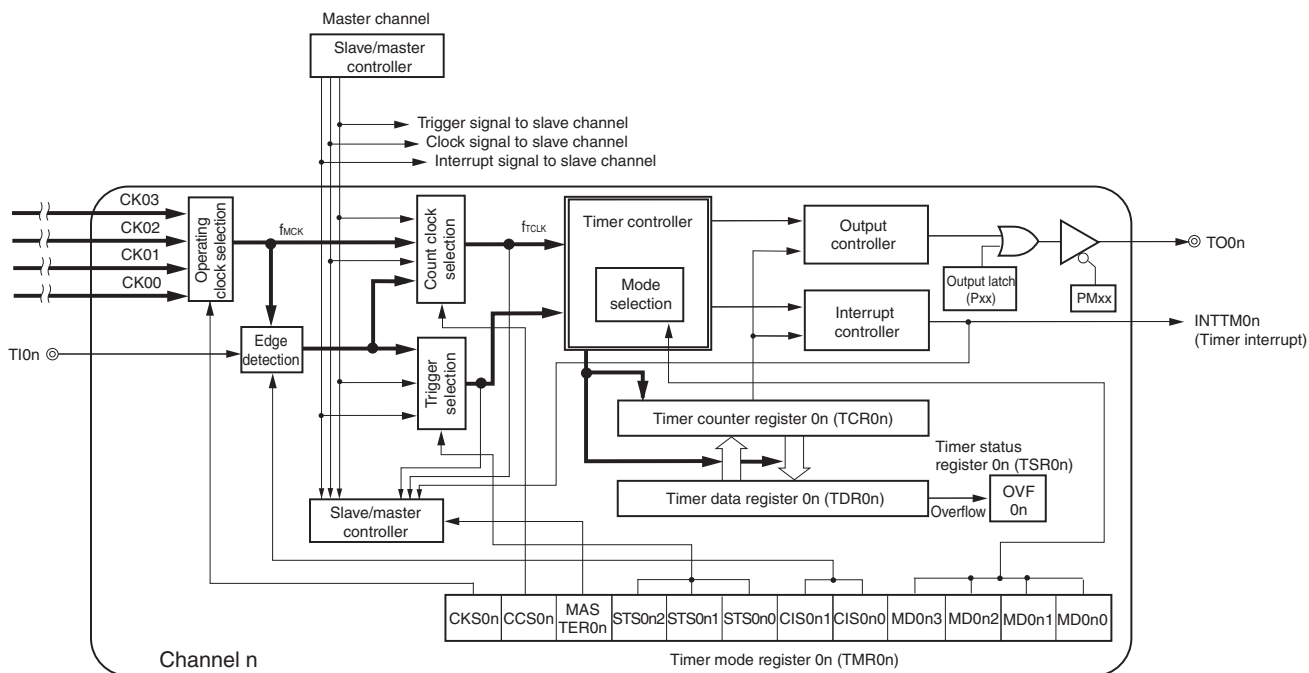
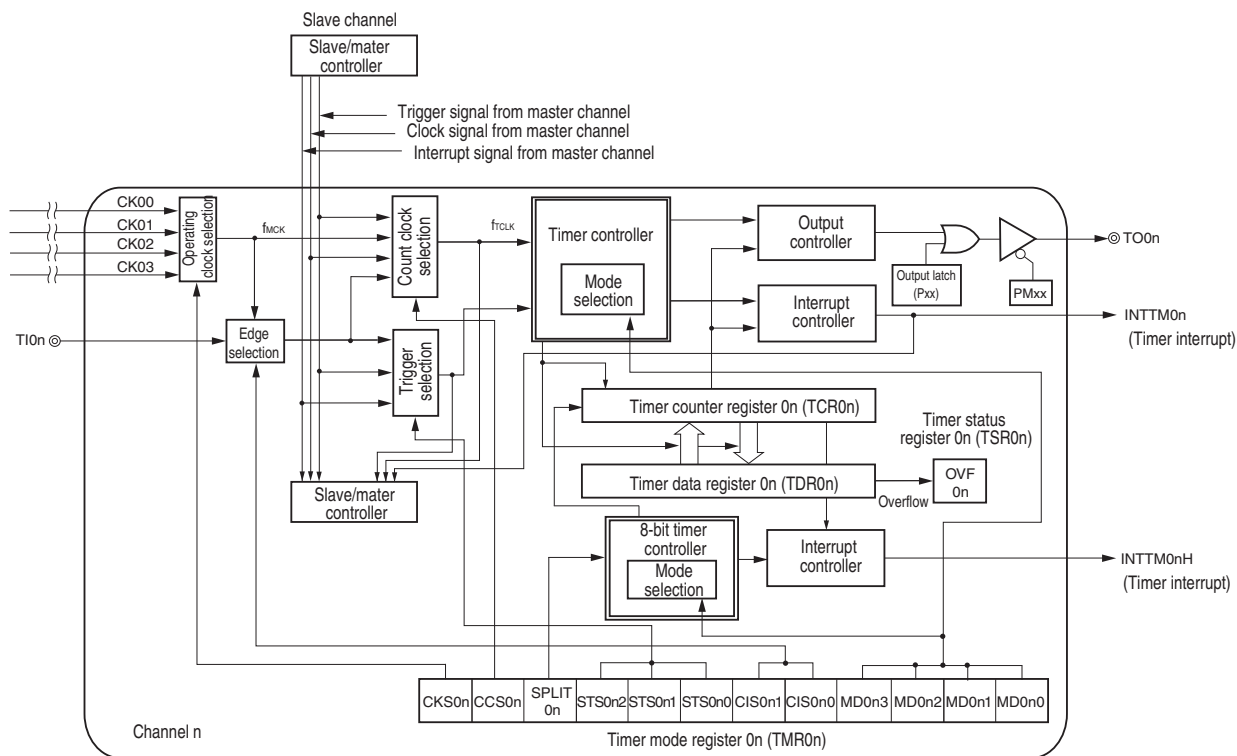


Figure 6-4. Internal Block Diagram of Channel of Timer Array Unit 0



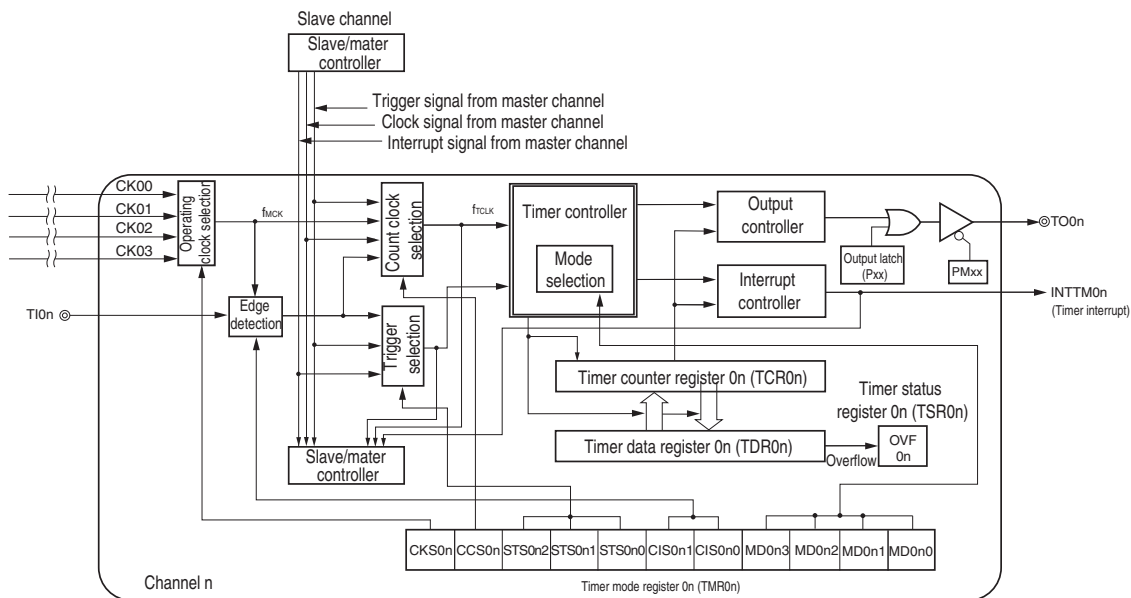
Remark n = 0, 2, 4, 6

Figure 6-5. Internal Block Diagram of Channel of Timer Array Unit 0



Remark n = 1, 3

Figure 6-6. Internal Block Diagram of Channel of Timer Array Unit 0



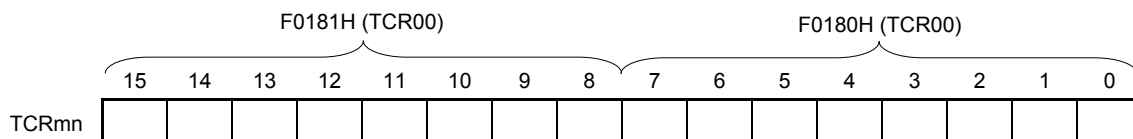
Remark n = 5, 7

6.2.1 Timer count register mn (TCRmn)

The TCRmn register is a 16-bit read-only register and is used to count clocks. The value of this counter is incremented or decremented in synchronization with the rising edge of a count clock. Whether the counter is incremented or decremented depends on the operation mode that is selected by the MDmn3 to MDmn0 bits of timer mode register mn (TMRmn) (refer to 6.3.4 Timer mode register mn (TMRmn)).

Figure 6-7. Format of Timer Count Register mn (TCRmn)

Address: F0180H, F0181H (TCR00) to F018EH, F018FH (TCR07), After reset: FFFFH R
 F01C0H, F01C1H (TCR10) to F01CEH, F01CFH (TCR17)
 F01C0H, F01C1H (TCR20) to F01CEH, F01CFH (TCR27)



Remark 144-pin products m: Unit number (m = 0 to 2), n: Channel number (n = 0 to 7)
 100-pin, 80-pin, 64-pin, and 48-pin products m: Unit number (m = 0 and 1), n: Channel number (n = 0 to 7)

Caution TCR10 to TCR17 registers must be accessed after setting TSEL0 bit of unit select register (UTSEL) to 0 in 144-pin products.
 TCR20 to TCR27 registers must be accessed after setting TSEL0 bit to 1.

The count value can be read by reading timer count register mn (TCRmn).

The count value is set to FFFFH in the following cases.

- When the reset signal is generated
- When the TAU0EN bit of peripheral enable register 0 (PER0) is cleared (For TCR0n register)
- When the TAU1EN bit of peripheral enable register 0 (PER0) is cleared (For TCR1n register)
- When the TAU2EN bit of peripheral enable register 1 (PER1) is cleared (For TCR2n register)
- When counting of the slave channel has been completed in the PWM output mode
- When counting of the slave channel has been completed in the delay count mode
- When counting of the master/slave channel has been completed in the one-shot pulse output mode
- When counting of the slave channel has been completed in the multiple PWM output mode

The count value is cleared to 0000H in the following cases.

- When the start trigger is input in the capture mode
- When capturing has been completed in the capture mode

Caution The count value is not captured to timer data register mn (TDRmn) even when the TCRmn register is read.

The TCRmn register read value differs as follows according to operation mode changes and the operating status.

Table 6-3. Timer Count Register mn (TCRmn) Read Value in Various Operation Modes

Operation Mode	Count Mode	Timer count register mn (TCRmn) Read Value ^{Note}			
		Value if the operation mode was changed after releasing reset	Value if the operation mode was changed after count operation paused (TTmn = 1)	Value if the Operation was restarted after count operation paused (TTmn = 1)	Value when waiting for a start trigger after one count
Interval timer mode	Count down	FFFFH	Undefined	Stop value	–
Capture mode	Count up	0000H	Undefined	Stop value	–
Event counter mode	Count down	FFFFH	Undefined	Stop value	–
One-count mode	Count down	FFFFH	Undefined	Stop value	FFFFH
Capture & one-count mode	Count up	0000H	Undefined	Stop value	Capture value of TDRmn register + 1

Note This indicates the value read from the TCRmn register when channel n has stopped operating as a timer (TEmn = 0) and has been enabled to operate as a counter (TSMn = 1). The read value is held in the TCRmn register until the count operation starts.

Remark 144-pin products m: Unit number (m = 0 to 2), n: Channel number (n = 0 to 7)

100-pin, 80-pin, 64-pin, and 48-pin products m: Unit number (m = 0 and 1), n: Channel number (n = 0 to 7)

6.2.2 Timer data register mn (TDRmn)

This is a 16-bit register from which a capture function and a compare function can be selected. The capture or compare function can be switched by selecting an operation mode by using the MDmn3 to MDmn0 bits of timer mode register mn (TMRmn). When the TDRmn register is used for compare function, the value can be changed at any time. This register can be read or written in 16-bit units. In addition, for the TDRm1 and TDRm3 registers, while in the 8-bit timer mode (when the SPLIT bits of timer mode registers 01 and 03 (TMRm1, TMRm3) are 1), it is possible to rewrite the data in 8-bit units, with TDRm1H and TDRm3H used as the higher 8 bits, and TDRm1L and TDRm3L used as the lower 8 bits. However, reading is only possible in 16-bit units.

Caution TAU2 does not operate as 8-bit timer.

Reset signal generation clears this register to 0000H.

Figure 6-8. Format of Timer Data Register mn (TDRmn) (n = 0, 2, 4 to 7)

Address: FFF18H, FFF19H (TDR00), FFF64H, FFF65H (TDR02), After reset: 0000H R/W
 FFF68H, FFF69H (TDR04) to FFF6EH, FFF6FH (TDR07)
 FFF70H, FFF71H (TDR10), FFF74H, FFF75H (TDR12)
 FFF78H, FFF79H (TDR14) to FFF7EH, FFF7FH (TDR17)
 FFF70H, FFF71H (TDR20), FFF74H, FFF75H (TDR22)
 FFF78H, FFF79H (TDR24), FFF7EH, FFF7FH (TDR27)

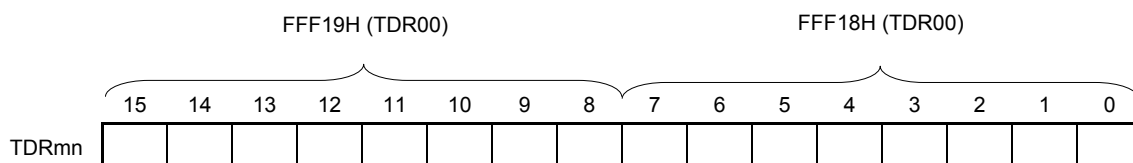
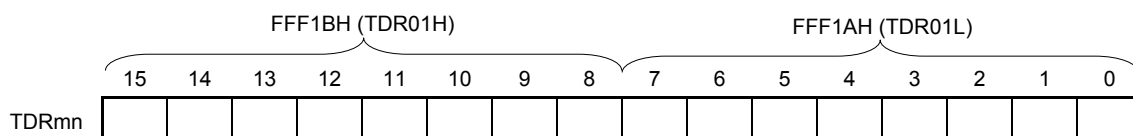


Figure 6-9. Format of Timer Data Register mn (TDRmn) (n = 1, 3)

Address: FFF1AH, FFF1BH (TDR01), FFF66H, FFF67H (TDR03), After reset: 0000H R/W
 FFF72H, FFF73H (TDR11), FFF76H, FFF77H (TDR13)
 FFF72H, FFF73H (TDR21), FFF76H, FFF77H (TDR23)



(i) When timer data register mn (TDRmn) is used as compare register

Counting down is started from the value set to the TDRmn register. When the count value reaches 0000H, an interrupt signal (INTTMmn) is generated. The TDRmn register holds its value until it is rewritten.

Caution The TDRmn register does not perform a capture operation even if a capture trigger is input, when it is set to the compare function.

(ii) When timer data register mn (TDRmn) is used as capture register

The count value of timer count register mn (TCRmn) is captured to the TDRmn register when the capture trigger is input.

A valid edge of the TImn pin can be selected as the capture trigger. This selection is made by timer mode register mn (TMRmn).

Remark 144-pin products m: Unit number (m = 0 to 2), n: Channel number (n = 0 to 7)
100-pin, 80-pin, 64-pin, and 48-pin products m: Unit number (m = 0 and 1), n: Channel number (n = 0 to 7)

6.3 Registers Controlling Timer Array Unit

Timer array unit is controlled by the following registers.

- Peripheral enable register 0 (PER0)
- Peripheral enable register 1 (PER1)
- Timer clock select register m (TPSm)
- Timer mode register mn (TMRmn)
- Timer status register mn (TSRmn)
- Timer channel enable status register m (TEm)
- Timer channel start register m (TSm)
- Timer channel stop register m (TTm)
- Timer input select register 0 (TIS0)
- Timer input select register 1 (TIS1)
- Timer input select register 2 (TIS2)
- Timer output enable register m (TOEm)
- Timer output register m (TOm)
- Timer output level register m (TOLm)
- Timer output mode register m (TOMm)
- PWM output delay control register 1 (PWMDLY1)
- PWM output delay control register 2 (PWMDLY2)
- PWM output delay control register 3 (PWMDLY3)
- Noise filter enable registers 1, 2, 3 (NFEN1, NFEN2, NFEN3)
- Port mode register (PMxx) ^{Note}
- Port register (Pxx) ^{Note}
- Unit select register

Notes 1. The port mode registers (PMxx) and port registers (Pxx) to be set differ depending on the product. For details, see 6.3.17 Port mode registers 0, 1, 3, 4, 5, 6, 7, 11, 12, 14 (PM0, PM1, PM3, PM4, PM5, PM6, PM7, PM11, PM12, PM14).

2. PWM output delay control register (PWMDLY3), unit select register (UTSEL) and noise filter enable register (NFEN3) are incorporated only in 144-pin products.

Remark 144-pin products m: Unit number (m = 0 to 2), n: Channel number (n = 0 to 7)

100-pin, 80-pin, 64-pin, and 48-pin products m: Unit number (m = 0 and 1), n: Channel number (n = 0 to 7)

6.3.1 Peripheral enable register 0 (PER0)

This registers is used to enable or disable supplying the clock to the peripheral hardware. Clock supply to a hardware macro that is not used is stopped in order to reduce the power consumption and noise.

When the timer array unit 0 is used, be sure to set bit 0 (TAU0EN) of this register to 1.

When the timer array unit 1 is used, be sure to set bit 1 (TAU1EN) of this register to 1.

Set the PER0 register by a 1-bit or 8-bit memory manipulation instruction.

Reset signal generation clears this register to 00H.

Figure 6-10. Format of Peripheral Enable Register 0 (PER0)

Address: F00F0H After reset: 00H R/W

Symbol	<7>	6	<5>	<4>	<3>	<2>	<1>	<0>
PER0	RTCEN	0	ADCEN	IICA0EN	SAU1EN	SAU0EN	TAU1EN	TAU0EN

TAU1EN	Control of timer array unit 1 input clock
0	Stops supply of input clock. <ul style="list-style-type: none"> • SFR used by the timer array unit 1 cannot be written. • The timer array unit 1 is in the reset status.
1	Supplies input clock. <ul style="list-style-type: none"> • SFR used by the timer array unit 1 can be read/written.

TAU0EN	Control of timer array 0 unit input clock
0	Stops supply of input clock. <ul style="list-style-type: none"> • SFR used by the timer array unit 0 cannot be written. • The timer array unit 0 is in the reset status.
1	Supplies input clock. <ul style="list-style-type: none"> • SFR used by the timer array unit 0 can be read/written.

- Cautions 1.** When setting the timer array unit, be sure to set the TAUmEN bit to 1 first. If TAUmEN = 0, writing to a control register of timer array unit is ignored, and all read values are default values (except for the timer input select registers 0, 1 (TIS0, TIS1), noise filter enable registers 1, 2 (NFEN1, NFEN2), port mode registers 1, 3, 4, 7, 12 (PM1, PM3, PM4, PM7, PM12), port registers 1, 3, 4, 7, 12 (P1, P3, P4, P7, P12), and PWM output delay control registers 1, 2 (PWMDLY1, PWMDLY2)).
- 2.** Be sure to clear the following 6 bits to 0.

Remark m: Unit number (m = 0 and 1), n: Channel number (n = 0 to 7)

6.3.2 Peripheral enable register 1 (PER1)

This registers is used to enable or disable supplying the clock to the peripheral hardware. Clock supply to a hardware macro that is not used is stopped in order to reduce the power consumption and noise.

When the timer array unit 2 is used, be sure to set bit 2 (TAU2EN) of this register to 1.

Set the PER1 register by a 1-bit or 8-bit memory manipulation instruction.

Reset signal generation clears this register to 00H.

Figure 6-11. Format of Peripheral Enable Register 1 (PER1)

Address: F02C0H After reset: 00H R/W

Symbol	<7>	6	<5>	<4>	<3>	<2>	<1>	<0>
PER1	DACEN	0	CMPEN	TRD0EN	DTCEN	TAU2EN	SAU2EN	TRJ0EN

TAU2EN	Control of timer array unit 2 input clock
0	Stops supply of input clock. <ul style="list-style-type: none"> • SFR used by the timer array unit 2 cannot be written. • The timer array unit 2 is in the reset status.
1	Supplies input clock. <ul style="list-style-type: none"> • SFR used by the timer array unit 2 can be read/written.

- Cautions**
1. When setting the timer array unit 2, be sure to set the TAUmEN bit to 1 first. If TAU2EN = 0, writing to a control register of timer array unit is ignored, and all read values are default values (except for the timer input select register 2 (TIS2), noise filter enable register 3 (NFEN3), port mode registers 11, 14 (PM11, PM14), port registers 11, 14 (P11, P14), and PWM output delay control register 3 (PWMDLY3)).
 2. Be sure to clear the following 6 bits to 0.

6.3.3 Timer clock select register m (TPSm)

The TPSm register is a 16-bit register that is used to select the operation clocks that are supplied to each channel (CKm0, CKm1, CKm2, and CKm3) from the external prescaler.

CKm0 clock is selected by using bits 3 to 0 of the TPSm register, that of CKm1 clock is selected by using bits 7 to 4, that of CKm2 clock is selected by using bits 11 to 8, that of CKm3 clock is selected by using bits 15 to 12.

Rewriting of the TPSm register during timer operation is possible only in the following cases.

If the PRSm00 to PRSm03 bits can be rewritten (n = 0 to 7):

All channels for which CKm0 is selected as the operation clock (CKSmn1, CKSmn0 = 0, 0) are stopped (TEmn = 0).

If the PRSm10 to PRSm13 bits can be rewritten (n = 0 to 7):

All channels for which CKm1 is selected as the operation clock (CKSmn1, CKSmn0 = 1, 0) are stopped (TEmn = 0).

If the PRSm20 to PRSm23 bits can be rewritten (n = 0 to 7):

All channels for which CKm2 is selected as the operation clock (CKSmn1, CKSmn0 = 0, 1) are stopped (TEmn = 0).

If the PRSm30 to PRSm33 bits can be rewritten (n = 0 to 7):

All channels for which CKm3 is selected as the operation clock (CKSmn1, CKSmn0 = 1, 1) are stopped (TEmn = 0).

The TPSm register can be set by a 16-bit memory manipulation instruction.

Reset signal generation clears this register to 0000H.

Figure 6-12. Format of Timer Clock Select Register m (TPSm)

Address: F01B6H, F01B7H (TPS0), F01F6H, F01F7H (TPS1), F01F6H, F01F7H (TPS2) After reset: 0000H R/W

Symbol	15	14	13	12	11	10	9	8	7	6	5	4	3	2	1	0
TPSm	PRS m33	PRS m32	PRS m31	PRS m30	PRS m23	PRS m22	PRS m21	PRS m20	PRS m13	PRS m12	PRS m11	PRS m10	PRS m03	PRS m02	PRS m01	PRS m00

PRS mk3	PRS mk2	PRS mk1	PRS mk0	Selection of operation clock (CKmk) ^{Note} (k = 0 to 3)	f _{CLK}				
					f _{CLK} = 2 MHz	f _{CLK} = 5 MHz	f _{CLK} = 10 MHz	f _{CLK} = 20 MHz	f _{CLK} = 32 MHz
0	0	0	0	f _{CLK}	2 MHz	5 MHz	10 MHz	20 MHz	32 MHz
0	0	0	1	f _{CLK} /2	1 MHz	2.5 MHz	5 MHz	10 MHz	16 MHz
0	0	1	0	f _{CLK} /2 ²	500 kHz	1.25 MHz	2.5 MHz	5 MHz	8 MHz
0	0	1	1	f _{CLK} /2 ³	250 kHz	625 kHz	1.25 MHz	2.5 MHz	4 MHz
0	1	0	0	f _{CLK} /2 ⁴	125 kHz	312.5 kHz	625 kHz	1.25 MHz	2 MHz
0	1	0	1	f _{CLK} /2 ⁵	62.5 kHz	156.2 kHz	312.5 kHz	625 kHz	1 MHz
0	1	1	0	f _{CLK} /2 ⁶	31.25 kHz	78.1 kHz	156.2 kHz	312.5 kHz	500 kHz
0	1	1	1	f _{CLK} /2 ⁷	15.62 kHz	39.1 kHz	78.1 kHz	156.2 kHz	250 kHz
1	0	0	0	f _{CLK} /2 ⁸	7.81 kHz	19.5 kHz	39.1 kHz	78.1 kHz	125 kHz
1	0	0	1	f _{CLK} /2 ⁹	3.91 kHz	9.76 kHz	19.5 kHz	39.1 kHz	62.5 kHz
1	0	1	0	f _{CLK} /2 ¹⁰	1.95 kHz	4.88 kHz	9.76 kHz	19.5 kHz	31.25 kHz
1	0	1	1	f _{CLK} /2 ¹¹	976 Hz	2.44 kHz	4.88 kHz	9.76 kHz	15.63 kHz
1	1	0	0	f _{CLK} /2 ¹²	488 Hz	1.22 kHz	2.44 kHz	4.88 kHz	7.81 kHz
1	1	0	1	f _{CLK} /2 ¹³	244 Hz	610 Hz	1.22 kHz	2.44 kHz	3.91 kHz
1	1	1	0	f _{CLK} /2 ¹⁴	122 Hz	305 Hz	610 Hz	1.22 kHz	1.95 kHz
1	1	1	1	f _{CLK} /2 ¹⁵	61 Hz	153 Hz	305 Hz	610 Hz	976 Hz

Note When changing the clock selected for f_{CLK} (by changing the system clock control register (CKC) value), stop timer array unit (TTm = 00FFH).

- Cautions 1.** When selecting f_{CLK} (not divided) as the operation clock (CKmk) and setting TDRnm = 0000H (n = 0 to 2; m = 0 to 7), set the interrupt mask flag to “interrupt processing disabled” (TMMKn = 1).
- 2.** TPS1 register must be accessed after setting TSEL0 bit of unit select register (UTSEL) to 0 in 144-pin products.
 TPS2 register must be accessed after setting TSEL0 bit to 1.

- Remarks 1.** f_{CLK}: CPU/peripheral hardware clock frequency
- 2.** The above clock becomes high level for one period of f_{CLK} from its rising edge (m = 0 to 2). For details, see 6.5.1 Count clock (f_{TCLK}).

By using channels 1 and 3 in the 8-bit timer mode and specifying CKm2 or CKm3 as the operation clock, the interval times shown in Table 6-4 can be achieved by using the interval timer function.

Table 6-4. Interval Times Available for Operation Clock CKSm2 or CKSm3

Clock		Interval time ($f_{CLK} = 32 \text{ MHz}$) ^{Note}			
		10 μs	100 μs	1 ms	10 ms
CKm2	$f_{CLK}/2$	√	–	–	–
	$f_{CLK}/2^2$	√	–	–	–
	$f_{CLK}/2^4$	√	√	–	–
	$f_{CLK}/2^6$	√	√	–	–
CKm3	$f_{CLK}/2^8$	–	√	√	–
	$f_{CLK}/2^{10}$	–	√	√	–
	$f_{CLK}/2^{12}$	–	–	√	√
	$f_{CLK}/2^{14}$	–	–	√	√

Note The margin is within 5 %.

Remarks 1. f_{CLK} : CPU/peripheral hardware clock frequency

2. For details of a signal of $f_{CLK}/2^i$ selected with the TPSm register, see **6.5.1 Count clock (f_{TCLK})**.

6.3.4 Timer mode register mn (TMRmn)

The TMRmn register sets an operation mode of channel n. This register is used to select the operation clock (f_{MCK}), select the count clock, select the master/slave, select the 16 or 8-bit timer (only for channels 1 and 3), specify the start trigger and capture trigger, select the valid edge of the timer input, and specify the operation mode (interval, capture, event counter, one-count, or capture and one-count).

Rewriting the TMRmn register is prohibited when the register is in operation (when $TE_{mn} = 1$). However, bits 7 and 6 (CIS_{mn1} , CIS_{mn0}) can be rewritten even while the register is operating with some functions (when $TE_{mn} = 1$) (for details, see **6.7 Independent Channel Operation Function of Timer Array Unit** and **6.8 Simultaneous Channel Operation Function of Timer Array Unit**).

Set the TMRmn register by a 16-bit memory manipulation instruction.

Reset signal generation clears this register to 0000H.

Caution The bits mounted depend on the channels in the bit 11 of TMRmn register.

TMRm2, TMRm4, TMRm6: MASTERmn bit (n = 2, 4, 6)

TMRm1, TMRm3: SPLITmn bit (n = 1, 3)

TMRm0, TMRm5, TMRm7: Fixed to 0 (n = 0, 5, 7)

Figure 6-13 Format of Timer Mode Register mn (TMRmn) (1/4)

Address: F0190H, F0191H (TMR00) to F019EH, F019FH (TMR07), After reset: 0000H R/W
 F01D0H, F01D1H (TMR10) to F01DEH, F01DFH (TMR17)
 F01D0H, F01D1H (TMR20) to F01DEH, F01DFH (TMR27)

Symbol	15	14	13	12	11	10	9	8	7	6	5	4	3	2	1	0
TMRmn (n = 2, 4, 6)	CKS mn1	CKS mn0	0	CCS mn	MAST ERmn	STS mn2	STS mn1	STS mn0	CIS mn1	CIS mn0	0	0	MD mn3	MD mn2	MD mn1	MD mn0

Symbol	15	14	13	12	11	10	9	8	7	6	5	4	3	2	1	0
TMRmn (n = 1, 3)	CKS mn1	CKS mn0	0	CCS mn	SPLIT mn	STS mn2	STS mn1	STS mn0	CIS mn1	CIS mn0	0	0	MD mn3	MD mn2	MD mn1	MD mn0

Symbol	15	14	13	12	11	10	9	8	7	6	5	4	3	2	1	0
TMRmn (n = 0, 5, 7)	CKS mn1	CKS mn0	0	CCS mn	0 ^{Note}	STS mn2	STS mn1	STS mn0	CIS mn1	CIS mn0	0	0	MD mn3	MD mn2	MD mn1	MD mn0

CKS mn1	CKS mn0	Selection of operation clock (f_{MCK}) of channel n
0	0	Operation clock CKm0 set by timer clock select register m (TPSm)
0	1	Operation clock CKm2 set by timer clock select register m (TPSm)
1	0	Operation clock CKm1 set by timer clock select register m (TPSm)
1	1	Operation clock CKm3 set by timer clock select register m (TPSm)
Operation clock (f_{MCK}) is used by the edge detector. A count clock (f_{CLK}) and a sampling clock are generated depending on the setting of the CCSmn bit.		

CCS mn	Selection of count clock (f_{CLK}) of channel n
0	Operation clock (f_{MCK}) specified by the CKSmn0 and CKSmn1 bits
1	Valid edge of input signal input from the TImn pin Valid edge of input signal selected by TIS1 in TAU0 channel 5
Count clock (f_{CLK}) is used for the timer/counter, output controller, and interrupt controller.	

Note Bit 11 is a read-only bit and fixed to 0. Writing to this bit is ignored.

- Cautions**
- Be sure to clear bits 13, 5, and 4 to “0”.
 - The timer array unit must be stopped (TTm = 00FFH) if the clock selected for f_{CLK} is changed (by changing the value of the system clock control register (CKC)), even if the operating clock specified by using the CKSmn0 and CKSmn1 bits (f_{MCK}) or the valid edge of the signal input from the TImn pin is selected as the count clock (f_{CLK}).
 - TMR1n register must be accessed after setting TSEL0 bit of unit select register (UTSEL) to 0 in 144-pin products.
TMR2n register must be accessed after setting TSEL0 bit to 1.

Remark 144-pin products m: Unit number (m = 0 to 2), n: Channel number (n = 0 to 7)
 100-pin, 80-pin, 64-pin, and 48-pin products m: Unit number (m = 0 and 1), n: Channel number (n = 0 to 7)

Figure 6-13 Format of Timer Mode Register mn (TMRmn) (2/4)

Address: F0190H, F0191H (TMR00) to F019EH, F019FH (TMR07), After reset: 0000H R/W
 F01D0H, F01D1H (TMR10) to F01DEH, F01DFH (TMR17)
 F01D0H, F01D1H (TMR20) to F01DEH, F01DFH (TMR27)

Symbol	15	14	13	12	11	10	9	8	7	6	5	4	3	2	1	0
TMRmn (n = 2, 4, 6)	CKS mn1	CKS mn0	0	CCS mn	MAST ERmn	STS mn2	STS mn1	STS mn0	CIS mn1	CIS mn0	0	0	MD mn3	MD mn2	MD mn1	MD mn0

Symbol	15	14	13	12	11	10	9	8	7	6	5	4	3	2	1	0
TMRmn (n = 1, 3)	CKS mn1	CKS mn0	0	CCS mn	SPLIT mn	STS mn2	STS mn1	STS mn0	CIS mn1	CIS mn0	0	0	MD mn3	MD mn2	MD mn1	MD mn0

Symbol	15	14	13	12	11	10	9	8	7	6	5	4	3	2	1	0
TMRmn (n = 0, 5, 7)	CKS mn1	CKS mn0	0	CCS mn	0 ^{Note}	STS mn2	STS mn1	STS mn0	CIS mn1	CIS mn0	0	0	MD mn3	MD mn2	MD mn1	MD mn0

(Bit 11 of TMRmn (n = 2, 4, 6))

MAS TER mn	Selection between using channel n independently or simultaneously with another channel(as a slave or master)
0	Operates in independent channel operation function or as slave channel in simultaneous channel operation function.
1	Operates as master channel in simultaneous channel operation function.
Only channels 2, 4, and 6 can be set as a master channel (MASTERmn = 1). Channels 0, 5, and 7 are fixed to 0 (channel 0 always operates as master regardless of the bit setting, because it is the highest channel). Clear the MASTERmn bit to 0 for a channel that is used with the independent channel operation function.	

(Bit 11 of TMRmn (n = 1, 3))

SPLI Tmn	Selection of 8 or 16-bit timer operation for channels 1 and 3
0	Operates as 16-bit timer. (Operates in independent channel operation function or as slave channel in simultaneous channel operation function.)
1	Operates as 8-bit timer.

STS mn2	STS mn1	STS mn0	Setting of start trigger or capture trigger of channel n
0	0	0	Only software trigger start is valid (other trigger sources are unselected).
0	0	1	Valid edge of the TImn pin input is used as both the start trigger and capture trigger.
0	1	0	Both the edges of the TImn pin input are used as a start trigger and a capture trigger.
1	0	0	Interrupt signal of the master channel is used (when the channel is used as a slave channel with the simultaneous channel operation function).
Other than above			Setting prohibited

Note Bit 11 is a read-only bit and fixed to 0. Writing to this bit is ignored. In addition, channel 0 operates as master. (Cautions and Remark are given on the next page.)

- Cautions**
1. **TMR1n register must be accessed after setting TSEL0 bit of unit select register (UTSEL) to 0 in 144-pin products.
TMR2n register must be accessed after setting TSEL0 bit to 1.**
 2. **TAU2 does not operate as 8-bit timer.**

Remark 144-pin products m: Unit number (m = 0 to 2), n: Channel number (n = 0 to 7)
100-pin, 80-pin, 64-pin, and 48-pin products m: Unit number (m = 0 and 1), n: Channel number (n = 0 to 7)

Figure 6-13 Format of Timer Mode Register mn (TMRmn) (3/4)

Address: F0190H, F0191H (TMR00) to F019EH, F019FH (TMR07), After reset: 0000H R/W
 F01D0H, F01D1H (TMR10) to F01DEH, F01DFH (TMR17)
 F01D0H, F01D1H (TMR20) to F01DEH, F01DFH (TMR27)

Symbol	15	14	13	12	11	10	9	8	7	6	5	4	3	2	1	0
TMRmn (n = 2, 4, 6)	CKS mn1	CKS mn0	0	CCS mn	MAST ERmn	STS mn2	STS mn1	STS mn0	CIS mn1	CIS mn0	0	0	MD mn3	MD mn2	MD mn1	MD mn0

Symbol	15	14	13	12	11	10	9	8	7	6	5	4	3	2	1	0
TMRmn (n = 1, 3)	CKS mn1	CKS mn0	0	CCS mn	SPLIT mn	STS mn2	STS mn1	STS mn0	CIS mn1	CIS mn0	0	0	MD mn3	MD mn2	MD mn1	MD mn0

Symbol	15	14	13	12	11	10	9	8	7	6	5	4	3	2	1	0
TMRmn (n = 0, 5, 7)	CKS mn1	CKS mn0	0	CCS mn	0 ^{Note 1}	STS mn2	STS mn1	STS mn0	CIS mn1	CIS mn0	0	0	MD mn3	MD mn2	MD mn1	MD mn0

CIS mn1	CIS mn0	Selection of TImn pin input valid edge
0	0	Falling edge
0	1	Rising edge
1	0	Both edges (when low-level width is measured) Start trigger: Falling edge, Capture trigger: Rising edge
1	1	Both edges (when high-level width is measured) Start trigger: Rising edge, Capture trigger: Falling edge
If both the edges are specified when the value of the STS _{mn2} to STS _{mn0} bits is other than 010B, set the CIS _{mn1} to CIS _{mn0} bits to 10B.		

- Notes 1.** Bit 11 is a read-only bit and fixed to 0. Writing to this bit is ignored.
2. m: Unit number (m = 0 to 2), n: Channel number (n = 0 to 7)

Caution TMR1n register must be accessed after setting TSEL0 bit of unit select register (UTSEL) to 0 in 144-pin products.
 TMR2n register must be accessed after setting TSEL0 bit to 1.

Remark 144-pin products m: Unit number (m = 0 to 2), n: Channel number (n = 0 to 7)
 100-pin, 80-pin, 64-pin, and 48-pin products m: Unit number (m = 0 and 1), n: Channel number (n = 0 to 7)

Figure 6-13 Format of Timer Mode Register mn (TMRmn) (4/4)

Address: F0190H, F0191H (TMR00) to F019EH, F019FH (TMR07), After reset: 0000H R/W
 F01D0H, F01D1H (TMR10) to F01DEH, F01DFH (TMR17)
 F01D0H, F01D1H (TMR20) to F01DEH, F01DFH (TMR27)

Symbol	15	14	13	12	11	10	9	8	7	6	5	4	3	2	1	0
TMRmn (n = 2, 4, 6)	CKS mn1	CKS mn0	0	CCS mn	MAST ERmn	STS mn2	STS mn1	STS mn0	CIS mn1	CIS mn0	0	0	MD mn3	MD mn2	MD mn1	MD mn0

Symbol	15	14	13	12	11	10	9	8	7	6	5	4	3	2	1	0
TMRmn (n = 1, 3)	CKS mn1	CKS mn0	0	CCS mn	SPLIT mn	STS mn2	STS mn1	STS mn0	CIS mn1	CIS mn0	0	0	MD mn3	MD mn2	MD mn1	MD mn0

Symbol	15	14	13	12	11	10	9	8	7	6	5	4	3	2	1	0
TMRmn (n = 0, 5, 7)	CKS mn1	CKS mn0	0	CCS mn	0 ^{Note}	STS mn2	STS mn1	STS mn0	CIS mn1	CIS mn0	0	0	MD mn3	MD mn2	MD mn1	MD mn0

MD mn3	MD mn2	MD mn1	Operation mode of channel n	Corresponding function	Count operation of TCR
0	0	0	Interval timer mode	Interval timer / Square wave output / Divider function / PWM output (master)	Counting down
0	1	0	Capture mode	Input pulse interval measurement	Counting up
0	1	1	Event counter mode	External event counter	Counting down
1	0	0	One-count mode	Delay counter / One-shot pulse output / PWM output (slave)	Counting down
1	1	0	Capture & one-count mode	Measurement of high-/low-level width of input signal	Counting up
Other than above			Setting prohibited		
Each operation mode varies depending on the MDmn0 bit (see table below).					

Operation mode (Value set by the MD _{mn3} to MD _{mn1} bits (see table above))	MD mn0	Setting of starting counting and interrupt
<ul style="list-style-type: none"> • Interval timer mode (0, 0, 0) • Capture mode (0, 1, 0) 	0	Timer interrupt is not generated when counting is started (timer output does not change, either).
	1	Timer interrupt is generated when counting is started (timer output also changes).
<ul style="list-style-type: none"> • Event counter mode (0, 1, 1) 	0	Timer interrupt is not generated when counting is started (timer output does not change, either).
<ul style="list-style-type: none"> • One-count mode ^{Note 1} (1, 0, 0) 	0	Start trigger is invalid during counting operation. At that time, interrupt is not generated, either.
	1	Start trigger is valid during counting operation ^{Note 2} . At that time, interrupt is also generated.
<ul style="list-style-type: none"> • Capture & one-count mode (1, 1, 0) 	0	Timer interrupt is not generated when counting is started (timer output does not change, either). Start trigger is invalid during counting operation. At that time interrupt is not generated, either.
Other than above		Setting prohibited

- Notes**
1. Bit 11 is a read-only bit and fixed to 0. Writing to this bit is ignored.
 2. In one-count mode, interrupt output (INTT_{mn}) when starting a count operation and T_{Om}n output are not controlled.
 3. If the start trigger (T_S_{mn} = 1) is issued during operation, the counter is initialized and recounting is started (no interrupt request is generated).

Caution TMR_{1n} register must be accessed after setting TSEL0 bit of unit select register (UTSEL) to 0 in 144-pin products.
TMR_{2n} register must be accessed after setting TSEL0 bit to 1.

Remark 144-pin products m: Unit number (m = 0 to 2), n: Channel number (n = 0 to 7)
100-pin, 80-pin, 64-pin, and 48-pin products m: Unit number (m = 0 and 1), n: Channel number (n = 0 to 7)

6.3.5 Timer status register mn (TSRmn)

The TSRmn register indicates the overflow status of the counter of channel n.

The TSRmn register is valid only in the capture mode (MDmn3 to MDmn1 = 010B) and capture & one-count mode (MDmn3 to MDmn1 = 110B). See **Table 6-5** for the operation of the OVF bit in each operation mode and set/clear conditions.

The TSRmn register can be read by a 16-bit memory manipulation instruction.

The lower 8 bits of the TSRmn register can be set with an 8-bit memory manipulation instruction with TSRmnL.

Reset signal generation clears this register to 0000H.

Figure 6-14 Format of Timer Status Register mn (TSRmn)

Address: F01A0H, F01A1H (TSR00) to F01AEH, F01AFH (TSR07), After reset: 0000H R
 F01E0H, F01E1H (TSR10) to F01EEH, F01EFH (TSR17)
 F01E0H, F01E1H (TSR20) to F01EEH, F01EFH (TSR27)

Symbol	15	14	13	12	11	10	9	8	7	6	5	4	3	2	1	0
TSRmn	0	0	0	0	0	0	0	0	0	0	0	0	0	0	0	OVF

OVF	Counter overflow status of channel n
0	Overflow does not occur.
1	Overflow occurs.
When OVF = 1, this flag is cleared (OVF = 0) when the next value is captured without overflow.	

Caution TSR1n register must be accessed after setting TSEL0 bit of unit select register (UTSEL) to 0 in 144-pin products.

TSR2n register must be accessed after setting TSEL0 bit to 1.

Remark m: Unit number (m = 0 to 2), n: Channel number (n = 0 to 7)

Table 6-5. OVF Bit Operation and Set/Clear Conditions in Each Operation Mode

Timer operation mode	OVF bit	Set/clear conditions
• Capture mode	clear	When no overflow has occurred upon capturing
• Capture & one-count mode	set	When an overflow has occurred upon capturing
• Interval timer mode	clear	— (Use prohibited)
• Event counter mode	set	
• One-count mode		

Remark The OVF bit does not change immediately after the counter has overflowed, but changes upon the subsequent capture.

6.3.6 Timer channel enable status register m (TE_m)

The TE_m register is used to enable or stop the timer operation of each channel.

Each bit of the TE_m register corresponds to each bit of the timer channel start register m (T_{Sm}) and the timer channel stop register m (T_{Tm}). When a bit of the T_{Sm} register is set to 1, the corresponding bit of this register is set to 1. When a bit of the T_{Tm} register is set to 1, the corresponding bit of this register is cleared to 0.

The TE_m register can be read by a 16-bit memory manipulation instruction.

The lower 8 bits of the TE_m register can be set with a 1-bit or 8-bit memory manipulation instruction with TE_{mL}.

Reset signal generation clears this register to 0000H.

Figure 6-15 Format of Timer Channel Enable Status Register m (TE_m)

Address: F01B0H, F01B1H (TE₀), F01F0H, F01F1H (TE₁), F01F0H, F01F1H (TE₂) After reset: 0000H R

Symbol	15	14	13	12	11	10	9	8	7	6	5	4	3	2	1	0
TE _m	0	0	0	0	TEH _{m3} 3	0	TEH _{m1} 1	0	TE _{m7} 7	TE _{m6} 6	TE _{m5} 5	TE _{m4} 4	TE _{m3} 3	TE _{m2} 2	TE _{m1} 1	TE _{m0} 0

TEH _{m3}	Indication of whether operation of the higher 8-bit timer is enabled or stopped when channel 3 is in the 8-bit timer mode
0	Operation is stopped.
1	Operation is enabled.

TEH _{m1}	Indication of whether operation of the higher 8-bit timer is enabled or stopped when channel 1 is in the 8-bit timer mode
0	Operation is stopped.
1	Operation is enabled.

TE _m _n	Indication of operation enable/stop status of channel n
0	Operation is stopped.
1	Operation is enabled.
This bit displays whether operation of the lower 8-bit timer for TE _{m1} and TE _{m3} is enabled or stopped when channel 1 or 3 is in the 8-bit timer mode.	

- Cautions**
1. Be sure to clear bits 15 to 12, 10, and 8 to "0".
 2. TE₁ register must be accessed after setting TSEL0 bit of unit select register (UTSEL) to 0 in 144-pin products.
TE₂ register must be accessed after setting TSEL0 bit to 1.
 3. TAU2 does not operate as 8-bit timer.

Remark 144-pin products m: Unit number (m = 0 to 2), n: Channel number (n = 0 to 7)
100-pin, 80-pin, 64-pin, and 48-pin products m: Unit number (m = 0 and 1), n: Channel number (n = 0 to 7)

6.3.7 Timer channel start register m (TSm)

The TSm register is a trigger register that is used to initialize timer count register mn (TCRmn) and start the counting operation of each channel.

When a bit of this register is set to 1, the corresponding bit of timer channel enable status register m (TEm) is set to 1. The TSmn, TSHm1, TSHm3 bits are immediately cleared when operation is enabled (TEmn, TEHm1, TEHm3 = 1), because they are trigger bits.

The TSm register can be set by a 16-bit memory manipulation instruction.

Set the lower 8 bits of the TSm register with a 1-bit or 8-bit memory manipulation instruction with TSmL.

Reset signal generation clears this register to 0000H.

Figure 6-16 Format of Timer Channel Start Register m (TSm)

Address: F01B2H, F01B3H (TS0), F01F2H, F01F3H (TS1), F01F2H, F01F3H (TS2) After reset: 0000H R/W

Symbol	15	14	13	12	11	10	9	8	7	6	5	4	3	2	1	0
TSm	0	0	0	0	TSHm 3	0	TSHm 1	0	TSm 7	TSm 6	TSm 5	TSm 4	TSm 3	TSm 2	TSm 1	TSm 0

TSHm3	Trigger to enable operation (start operation) of the higher 8-bit timer when channel 3 is in the 8-bit timer mode
0	No trigger operation
1	The TEHm3 bit is set to 1 and the count operation becomes enabled. The TCRm3 register count operation start in the interval timer mode in the count operation enabled state (see Table 6-6 in 6.5.2 Start timing of counter).

TSHm1	Trigger to enable operation (start operation) of the higher 8-bit timer when channel 1 is in the 8-bit timer mode
0	No trigger operation
1	The TEHm1 bit is set to 1 and the count operation becomes enabled. The TCRm1 register count operation start in the interval timer mode in the count operation enabled state (see Table 6-6 in 6.5.2 Start timing of counter).

TSmn	Operation enable (start) trigger of channel n
0	No trigger operation
1	The TEmn bit is set to 1 and the count operation becomes enabled. The TCRmn register count operation start in the count operation enabled state varies depending on each operation mode (see Table 6-6 in 6.5.2 Start timing of counter). This bit is the trigger to enable operation (start operation) of the lower 8-bit timer for TSm1 and TSm3 when channel 1 or 3 is in the 8-bit timer mode.

- Cautions**
- Be sure to clear bits 15 to 12, 10, and 8 to "0".
 - When switching from a function that does not use TImn pin input to one that does, the following wait period is required from when timer mode register mn (TMRmn) is set until the TSmn (TSHm1, TSHm3) bit is set to 1.
 When the TImn pin noise filter is enabled (TNFENmn = 1): Four cycles of the operation clock (fMCK)
 When the TImn pin noise filter is disabled (TNFENmn = 0): Two cycles of the operation clock (fMCK)
 - TS1 register must be accessed after setting TSEL0 bit of unit select register (UTSEL) to 0 in 144-pin products.
 TS2 register must be accessed after setting TSEL0 bit to 1.
 - TAU2 does not operate as 8-bit timer.

(Remarks are given on the next page.)

- Remarks**
1. When the TSm register is read, 0 is always read.
 2. 144-pin products m: Unit number (m = 0 to 2), n: Channel number (n = 0 to 7)
100-pin, 80-pin, 64-pin, and 48-pin products m: Unit number (m = 0 and 1), n: Channel number (n = 0 to 7)

6.3.8 Timer channel stop register m (TTm)

The TTm register is a trigger register that is used to stop the counting operation of each channel.

When a bit of this register is set to 1, the corresponding bit of timer channel enable status register m (TEm) is cleared to 0. The TTmn, TTHm1, TTHm3 bits are immediately cleared when operation is stopped (TEmn, TTHm1, TTHm3 = 0), because they are trigger bits.

The TTm register can be set by a 16-bit memory manipulation instruction.

Set the lower 8 bits of the TTm register with a 1-bit or 8-bit memory manipulation instruction with TTmL.

Reset signal generation clears this register to 0000H.

Figure 6-17 Format of Timer Channel Stop Register m (TTm)

Address: F01B4H, F01B5H (TT0), F01F4H, F01F5H (TT1) , F01F4H, F01F5H (TT2) After reset: 0000H R/W

Symbol	15	14	13	12	11	10	9	8	7	6	5	4	3	2	1	0
TTm	0	0	0	0	TTHm 3	0	TTHm 1	0	TTm 7	TTm 6	TTm 5	TTm 4	TTm 3	TTm 2	TTm 1	TTm 0

TTHm3	Trigger to stop operation of the higher 8-bit timer when channel 3 is in the 8-bit timer mode
0	No trigger operation
1	Operation is stopped (stop trigger is generated).

TTHm1	Trigger to stop operation of the higher 8-bit timer when channel 1 is in the 8-bit timer mode
0	No trigger operation
1	Operation is stopped (stop trigger is generated).

TTmn	Operation stop trigger of channel n
0	No trigger operation
1	Operation is stopped (stop trigger is generated). This bit is the trigger to stop operation of the lower 8-bit timer for TTm1 and TTm3 when channel 1 or 3 is in the 8-bit timer mode.

- Cautions**
1. Be sure to clear bits 15 to 12, 10, and 8 of the TTm register to “0”.
 2. TT1 register must be accessed after setting TSEL0 bit of unit select register (UTSEL) to 0 in 144-pin products.
TT2 register must be accessed after setting TSEL0 bit to 1.
 3. TAU2 does not operate as 8-bit timer.

- Remarks**
1. When the TTm register is read, 0 is always read.
 2. 144-pin products m: Unit number (m = 0 to 2), n: Channel number (n = 0 to 7)
100-pin, 80-pin, 64-pin, and 48-pin products m: Unit number (m = 0 and 1), n: Channel number (n = 0 to 7)

6.3.9 Timer input select register 0 (TIS0)

The TIS0 register selects an input source of the timer array unit 0.

Set the TIS0 register by an 8-bit memory manipulation instruction.

Reset signal generation clears this register to 00H.

Figure 6-18 Format of Timer Input Select Register 0 (TIS0)

Address: F0074H After reset: 00H R/W

Symbol	7	6	5	4	3	2	1	0
TIS0	TIS07	TIS06	0	TIS04	0	TIS02	TIS01	TIS00

TIS07	Selection of timer input used with channel 3 of timer array unit 0
0	Input signal of timer input pin (TI03)
1	Event input signal from ELC

TIS06	Selection of timer input used with channel 2 of timer array unit 0
0	Input signal of timer input pin (TI02)
1	Event input signal from ELC

TIS04	Selection of timer input used with channel 0 of timer array unit 0
0	Input signal of timer input pin (TI00)
1	Event input signal from ELC

TIS02	TIS01	TIS00	Selection of timer input used with channel 1 of timer array unit 0
0	0	0	Input signal of timer input pin (TI01)
0	0	1	Event input signal from ELC Input signal of timer input pin (TI01) (Only 64 KB master)
0	1	0	Input signal of timer input pin (TI01)
0	1	1	
1	0	0	Low-speed on-chip oscillator clock (f _{IL})
1	0	1	Sub/low-speed on-chip oscillator select clock (f _{SL})
Other than above			Setting prohibited

- Cautions 1. When selecting an event input signal from the ELC using timer input select register 0 (TIS0), select f_{CLK} using timer clock select register 0 (TPS0).**
- 2. Do not change the select bit of the timer input while inputting data to the TI0n pin (n = 0 to 7).**
- 3. Each of the high-level and low-level widths of the timer input to be selected should be (1/f_{MCK} + 10 ns) or more. So, the TIS02 bit cannot be set to 1 when f_{SL} is selected as f_{CLK} (the CSS bit in the CKC register is set to 1).**

6.3.10 Timer input select register 1 (TIS1)

The TIS1 register selects an input source of the timer array unit 0.

The TIS17 and TIS16 bits in the TIS1 register are used in conjunction with the serial array unit to implement the LIN-bus communication operation in channel 7. When the TIS17 and TIS16 bits are set to 1 and 0 respectively, the input signal on the serial data input pin (RXD0) is selected as the timer input.

Set the TIS17 and TIS16 bits at the same time as setting the ISC0 bit in the ISC register (input switch control register).

Set the TIS1 register by an 8-bit memory manipulation instruction.

Reset signal generation clears this register to 00H.

Figure 6-19 Format of Timer Input Select Register 1 (TIS1)

Address: F0075H After reset: 00H R/W

Symbol	7	6	5	4	3	2	1	0
TIS1	TIS17	TIS16	0	TIS14	0	TIS12	0	TIS10

TIS17	TIS16	Selection of timer input used with channel 7 of timer array unit 0
0	0	Input signal of timer input pin (TI07)
0	1	RTC1HZ output signal
1	0	RXD0 pin (detection of the wake-up signal and measurement of the low-level width of the sync break field and the pulse width of the sync field)
1	1	Setting prohibited

TIS14	Selection of timer input used with channel 6 of timer array unit 0
0	Input signal of timer input pin (TI06)
1	RTC1HZ output signal

TIS12	Selection of timer input used with channel 5 of timer array unit 0
0	Input signal of timer input pin (TI05)
1	Input signal of timer input pin (TI03)

TIS10	Selection of timer input used with channel 4 of timer array unit 0
0	Input signal of timer input pin (TI04)
1	Input signal of timer input pin (TI03)

- Cautions**
1. Do not change the select bit of the timer input while inputting data to the TI0n pin (n = 0 to 7).
 2. When selecting the RTC1HZ output signal for the clock source of the timer input used in channels 7 and 6 in the TAU, set the TIS17, TIS16, and TIS14 bits to 0, 1, and 1, respectively, and select the RTC1HZ output signal for the timer input of channels 7 and 6.

Remark Set the TIS17 and TIS16 bits to 1 and 0 respectively and select the input signal of the RXD0 pin before using the LIN-bus communication.

6.3.11 Timer input select register 2 (TIS2)

The TIS2 register selects an input source of the timer array unit 1.

Set the TIS2 register by an 8-bit memory manipulation instruction.

Reset signal generation clears this register to 00H.

Figure 6-20 Format of Timer Input Select Register 2 (TIS2)

Address: F007AH After reset: 00H R/W

Symbol	7	6	5	4	3	2	1	0
TIS2	0	0	0	0	TIS23	TIS22	0	0

TIS22	Selection of timer input used with channel 6 of timer array unit 1
0	Input signal of timer input pin (TI16)
1	RTC1HZ output signal

TIS23	Selection of timer input used with channel 7 of timer array unit 1
0	Input signal of timer input pin (TI17)
1	RTC1HZ output signal

- Cautions**
1. Do not change the select bit of the timer input while inputting data to the TI1n pin (n = 0 to 7).
 2. When selecting the RTC1HZ output signal for the clock source of the timer input used in channels 7 and 6 in the TAU, set the TIS23 and TIS22 bits to 1 and select the RTC1HZ output signal for the timer input of channels 7 and 6.

6.3.12 Timer output enable register m (TOEm)

The TOEm register is used to enable or disable timer output of each channel.

Channel n for which timer output has been enabled becomes unable to rewrite the value of the TOmn bit of timer output register m (TOM) described later by software, and the value reflecting the setting of the timer output function through the count operation is output from the timer output pin (TOMn).

The TOEm register can be set by a 16-bit memory manipulation instruction.

Set the lower 8 bits of the TOEm register with a 1-bit or 8-bit memory manipulation instruction with TOEmL.

Reset signal generation clears this register to 0000H.

Figure 6-21 Format of Timer Output Enable Register m (TOEm)

Address: F01BAH, F01BBH (TOE0), F01FAH, F01FBH (TOE1), F01FAH, F01FBH (TOE2) After reset: 0000H R/W

Symbol	15	14	13	12	11	10	9	8	7	6	5	4	3	2	1	0
TOEm	0	0	0	0	0	0	0	0	TOE m7	TOE m6	TOE m5	TOE m4	TOE m3	TOE m2	TOE m1	TOE m0

TOE mn	Timer output enable/disable of channel n
0	Timer output is disabled. Timer operation is not applied to the TOMn bit and the output is fixed. Writing to the TOMn bit is enabled.
1	Timer output is enabled. Timer operation is applied to the TOMn bit and an output waveform is generated. Writing to the TOMn bit is ignored.

Caution TOE1 register must be accessed after setting TSEL0 bit of unit select register (UTSEL) to 0 in 144-pin products.

TOE2 register must be accessed after setting TSEL0 bit to 1.

Remark 144-pin products m: Unit number (m = 0 to 2), n: Channel number (n = 0 to 7)
100-pin, 80-pin, 64-pin, and 48-pin products m: Unit number (m = 0 and 1), n: Channel number (n = 0 to 7)

6.3.13 Timer output register m (TOM)

The TOM register is a buffer register of timer output of each channel.

The value of each bit in this register is output from the timer output pin (TOMn) of each channel.

The TOMn bit of this register can be rewritten by software only when timer output is disabled (TOEmn = 0). When timer output is enabled (TOEmn = 1), rewriting this register by software is ignored, and the value is changed only by the timer operation.

Due to pin arrangement, when using the pins shared by TIMn and TOMn as port pins, set the corresponding TOMn bit to "0".

The TOM register can be set by a 16-bit memory manipulation instruction.

Set the lower 8 bits of the TOM register with an 8-bit memory manipulation instruction with TOML.

Reset signal generation clears this register to 0000H.

Figure 6-22 Format of Timer Output Register m (TOM)

Address: F01B8H, F01B9H (TO0), F01F8H, F01F9H (TO1), F01F8H, F01F9H (TO2) After reset: 0000H R/W

Symbol	15	14	13	12	11	10	9	8	7	6	5	4	3	2	1	0
TOM	0	0	0	0	0	0	0	0	TOM 7	TOM 6	TOM 5	TOM 4	TOM 3	TOM 2	TOM 1	TOM 0

TOMn	Timer output of channel n
0	Timer output value is "0".
1	Timer output value is "1".

Caution TO1 register must be accessed after setting TSEL0 bit of unit select register (UTSEL) to 0 in 144-pin products.

TO2 register must be accessed after setting TSEL0 bit to 1.

Remark 144-pin products m: Unit number (m = 0 to 2), n: Channel number (n = 0 to 7)
 100-pin, 80-pin, 64-pin, and 48-pin products m: Unit number (m = 0 and 1), n: Channel number (n = 0 to 7)

6.3.14 Timer output level register m (TOLm)

The TOLm register is a register that controls the timer output level of each channel.

The setting of the inverted output of channel n by this register is reflected at the timing of set or reset of the timer output signal while the timer output is enabled (TOEmn = 1) in the Slave channel output mode (TOMmn = 1). In the master channel output mode (TOMmn = 0), this register setting is invalid.

The TOLm register can be set by a 16-bit memory manipulation instruction.

Set the lower 8 bits of the TOLm register with an 8-bit memory manipulation instruction with TOLmL.

Reset signal generation clears this register to 0000H.

Figure 6-23 Format of Timer Output Level Register m (TOLm)

Address: F01BCH, F01BDH (TOL0), F01FCH, F01FDH (TOL1), F01FCH, F01FDH (TOL2) After reset: 0000H R/W

Symbol	15	14	13	12	11	10	9	8	7	6	5	4	3	2	1	0
TOLm	0	0	0	0	0	0	0	0	TOL m7	TOL m6	TOL m5	TOL m4	TOL m3	TOL m2	TOL m1	0

TOL mn	Control of timer output level of channel n														
0	Non-inverted output (active-high)														
1	Inverted output (active-low)														

Caution TOL1 register must be accessed after setting TSEL0 bit of unit select register (UTSEL) to 0 in 144-pin products.

TOL2 register must be accessed after setting TSEL0 bit to 1.

- Remarks**
1. If the value of this register is rewritten during timer operation, the timer output logic is inverted when the timer output signal changes next, instead of immediately after the register value is rewritten.
 2. 144-pin products m: Unit number (m = 0 to 2), n: Channel number (n = 0 to 7)
 100-pin, 80-pin, 64-pin, and 48-pin products m: Unit number (m = 0 and 1), n: Channel number (n = 0 to 7)

6.3.15 Timer output mode register m (TOMm)

The TOMm register is used to control the timer output mode of each channel.

When a channel is used for the independent channel operation function, set the corresponding bit of the channel to be used to 0.

When a channel is used for the simultaneous channel operation function (PWM output, one-shot pulse output, or multiple PWM output), set the corresponding bit of the master channel to 0 and the corresponding bit of the slave channel to 1.

The setting of each channel n by this register is reflected at the timing when the timer output signal is set or reset while the timer output is enabled (TOEmn = 1).

The TOMm register can be set by a 16-bit memory manipulation instruction.

Set the lower 8 bits of the TOMm register with an 8-bit memory manipulation instruction with TOMmL.

Reset signal generation clears this register to 0000H.

Figure 6-24 Format of Timer Output Mode Register m (TOMm)

Address: F01BEH, F01BFH (TOM0), F01FEH, F01FFH (TOM1), F01FEH, F01FFH (TOM2) After reset: 0000H R/W

Symbol	15	14	13	12	11	10	9	8	7	6	5	4	3	2	1	0
TOMm	0	0	0	0	0	0	0	0	TOM m7	TOM m6	TOM m5	TOM m4	TOM m3	TOM m2	TOM m1	0

TOM mn	Control of timer output mode of channel n
0	Master channel output mode (to produce toggle output by timer interrupt request signal (INTTMmn))
1	Slave channel output mode (output is set by the timer interrupt request signal (INTTMmn) of the master channel, and reset by the timer interrupt request signal (INTTM0p) of the slave channel)

Caution TOM1 register must be accessed after setting TSEL0 bit of unit select register (UTSEL) to 0 in 144-pin products.

TOM2 register must be accessed after setting TSEL0 bit to 1.

Remark 144-pin products m: Unit number (m = 0 to 2)
 100-pin, 80-pin, 64-pin, and 48-pin products m: Unit number (m = 0 and 1)
 n = 0 to 7 (n = 0, 2, 4, 6 for master channel)
 p: Slave channel number
 n < p ≤ 7 (For details of the relation between the master channel and slave channel, refer to 6.4.1 Basic rules of simultaneous channel operation function.)

6.3.16 Noise filter enable registers 1, 2, 3 (NFEN1, NFEN2, NFEN3)

The NFEN1, NFEN2, NFEN3 registers is used to set whether the noise filter can be used for the timer input signal to each channel.

Enable the noise filter by setting the corresponding bits to 1 on the pins in need of noise removal.

When the noise filter is ON, match detection and synchronization of the 2 clocks is performed with the CPU/peripheral hardware clock (f_{MCK}). When the noise filter is OFF, only synchronization is performed with the CPU/peripheral hardware clock (f_{MCK}) **Note**.

Set the NFEN1, NFEN2 and NFEN3 registers by a 1-bit or 8-bit memory manipulation instruction.

Reset signal generation clears this register to 00H.

Note For details, see **6.5.1 (2) When valid edge of input signal via the TImn pin is selected (CCSmn = 1)** and **6.5.2 Start timing of counter**.

Remark NFEN3 register is not incorporated in 100-pin, 80-pin, 64-pin, and 48-pin products.

Figure 6-25 Format of Noise Filter Enable Register 1 (NFEN1)

Address: F0071H After reset: 00H R/W

Symbol	7	6	5	4	3	2	1	0
NFEN1	TNFEN07	TNFEN06	TNFEN05	TNFEN04	TNFEN03	TNFEN02	TNFEN01	TNFEN00

TNFEN07	Enable/disable using noise filter of TI07 pin input signal
0	Noise filter OFF
1	Noise filter ON

TNFEN06	Enable/disable using noise filter of TI06 pin input signal
0	Noise filter OFF
1	Noise filter ON

TNFEN05	Enable/disable using noise filter of TI05 pin input signal
0	Noise filter OFF
1	Noise filter ON

TNFEN04	Enable/disable using noise filter of TI04 pin input signal
0	Noise filter OFF
1	Noise filter ON

TNFEN03	Enable/disable using noise filter of TI03 pin input signal
0	Noise filter OFF
1	Noise filter ON

TNFEN02	Enable/disable using noise filter of TI02 pin input signal
0	Noise filter OFF
1	Noise filter ON

TNFEN01	Enable/disable using noise filter of TI01 pin input signal
0	Noise filter OFF
1	Noise filter ON

TNFEN00	Enable/disable using noise filter of TI00 pin input signal
0	Noise filter OFF
1	Noise filter ON

Caution The pin to be used can be changed by setting the TIS17 and TIS16 bits in the timer input select register 1 (TIS1).

When TIS17, TIS16 = 0, 0: The use of the noise filter of the TI07 pin can be enabled or disabled.

When TIS17, TIS16 = 1, 0: The use of the noise filter of the RXD0 pin can be enabled or disabled.

Figure 6-26 Format of Noise Filter Enable Register 2 (NFEN2)

Address: F0072H After reset: 00H R/W

Symbol	7	6	5	4	3	2	1	0
NFEN2	TNFEN17	TNFEN16	TNFEN15	TNFEN14	TNFEN13	TNFEN12	TNFEN11	TNFEN10

TNFEN17	Enable/disable using noise filter of TI17 pin input signal
0	Noise filter OFF
1	Noise filter ON

TNFEN16	Enable/disable using noise filter of TI16 pin input signal
0	Noise filter OFF
1	Noise filter ON

TNFEN15	Enable/disable using noise filter of TI15 pin input signal
0	Noise filter OFF
1	Noise filter ON

TNFEN14	Enable/disable using noise filter of TI14 pin input signal
0	Noise filter OFF
1	Noise filter ON

TNFEN13	Enable/disable using noise filter of TI13 pin input signal
0	Noise filter OFF
1	Noise filter ON

TNFEN12	Enable/disable using noise filter of TI12 pin input signal
0	Noise filter OFF
1	Noise filter ON

TNFEN11	Enable/disable using noise filter of TI11 pin input signal
0	Noise filter OFF
1	Noise filter ON

TNFEN10	Enable/disable using noise filter of TI00 pin input signal
0	Noise filter OFF
1	Noise filter ON

Figure 6-27 Format of Noise Filter Enable Register 3 (NFEN3)

Address: F0072H After reset: 00H R/W

Symbol	7	6	5	4	3	2	1	0
NFEN3	TNFEN27	TNFEN26	TNFEN25	TNFEN24	TNFEN23	TNFEN22	TNFEN21	TNFEN20
	TNFEN27		Enable/disable using noise filter of TI17 pin input signal					
	0	Noise filter OFF						
	1	Noise filter ON						
	TNFEN26		Enable/disable using noise filter of TI16 pin input signal					
	0	Noise filter OFF						
	1	Noise filter ON						
	TNFEN25		Enable/disable using noise filter of TI15 pin input signal					
	0	Noise filter OFF						
	1	Noise filter ON						
	TNFEN24		Enable/disable using noise filter of TI14 pin input signal					
	0	Noise filter OFF						
	1	Noise filter ON						
	TNFEN23		Enable/disable using noise filter of TI13 pin input signal					
	0	Noise filter OFF						
	1	Noise filter ON						
	TNFEN22		Enable/disable using noise filter of TI12 pin input signal					
	0	Noise filter OFF						
	1	Noise filter ON						
	TNFEN21		Enable/disable using noise filter of TI11 pin input signal					
	0	Noise filter OFF						
	1	Noise filter ON						
	TNFEN20		Enable/disable using noise filter of TI00 pin input signal					
	0	Noise filter OFF						
	1	Noise filter ON						

Remark NFEN3 register is not incorporated in 100-pin, 80-pin, 64-pin, and 48-pin products.

6.3.17 Port mode registers 0, 1, 3, 4, 5, 6, 7, 11, 12, 14 (PM0, PM1, PM3, PM4, PM5, PM6, PM7, PM11, PM12, PM14)

These registers set input/output of ports 0, 1, 3, 4, 5, 6, 7, 11, 12, 14 in 1-bit units.

The presence or absence of timer I/O pins depends on the product.

When using the ports (such as P17/TO00/TI00 and P16/TO2/TI02) to be shared with the timer output pin for timer output, set the port mode register (PMxx) bit and port register (Pxx) bit corresponding to each port to "0".

Example: When using P16/TO02/TI02 for timer output

Set the PM16 bit of port mode register 1 to 0.

Set the P16 bit of port register 1 to 0.

When using the ports (such as P17/TO00/TI00 and P16/TO2/TI02) to be shared with the timer output pin for timer input, set the port mode register (PMxx) bit corresponding to each port to 1. At this time, the port register (Pxx) bit may be 0 or 1.

Example: When using P16/TO02/TI02 for timer input

Set the PM16 bit of port mode register 1 to 1.

P16 bit of port register may be 0 or 1.

Set the PM0, PM1, PM3, PM4, PM5, PM6, PM7, PM11, PM12 and PM14 registers by a 1-bit or 8-bit memory manipulation instruction.

Reset signal generation sets these registers to FFH.

Figure 6-28 Format of Port Mode Registers 0, 1, 3, 4, 5, 6, 7, 11, 12, 14 (PM0, PM1, PM3, PM4, PM5, PM6, PM7, PM11, PM12, PM14)(144-pin products)

Address: FFF20H After reset: FFH R/W

Symbol	7	6	5	4	3	2	1	0
PM0	PM07	PM06	PM05	PM04	PM03	PM02	PM01	PM00

Address: FFF21H After reset: FFH R/W

Symbol	7	6	5	4	3	2	1	0
PM1	PM17	PM16	PM15	PM14	PM13	PM12	PM11	PM10

Address: FFF23H After reset: FFH R/W

Symbol	7	6	5	4	3	2	1	0
PM3	1	1	1	PM34	PM33	PM32	PM31	PM30

Address: FFF24H After reset: FFH R/W

Symbol	7	6	5	4	3	2	1	0
PM4	PM47	PM46	PM45	PM44	PM43	PM42	PM41	PM40

Address: FFF25H After reset: FFH R/W

Symbol	7	6	5	4	3	2	1	0
PM5	PM57	PM56	PM55	PM54	PM53	PM52	PM51	PM50

Address: FFF26H After reset: FFH R/W

Symbol	7	6	5	4	3	2	1	0
PM6	PM67	PM66	PM65	PM64	PM63	PM62	PM61	PM60

Address: FFF27H After reset: FFH R/W

Symbol	7	6	5	4	3	2	1	0
PM7	PM77	PM76	PM75	PM74	PM73	PM72	PM71	PM70

Address: FFF2BH After reset: FFH R/W

Symbol	7	6	5	4	3	2	1	0
PM11	PM117	PM116	PM115	PM114	PM113	PM112	PM111	PM110

Address: FFF2CH After reset: FFH R/W

Symbol	7	6	5	4	3	2	1	0
PM12	PM127	PM126	PM125	1	1	1	1	PM120

Address: FFF0EH After reset: FFH R/W

Symbol	7	6	5	4	3	2	1	0
PM14	PM147	PM146	PM145	PM144	PM143	PM142	PM141	PM120

PMmn	Pmn pin I/O mode selection (m = 0, 1, 3, 4, 5, 6, 7, 11, 12, 14; n = 0 to 7)
0	Output mode (output buffer on)
1	Input mode (output buffer off)

(Remark is given on the next page.)

Remark The figure shown above presents the format of port mode registers 0, 1, 3, 4, 5, 6, 7, 11, 12 and 14 of the 144-pin products. The format of the port mode register of other products, see **CHAPTER 4 PORT FUNCTIONS**.

6.3.18 PWM output delay control register 1 (PWMDLY1)

This register controls output delay of PWM output signal output from the TO0n pin.

Set the PWMDLY1 register by a 16-bit memory manipulation instruction.

Reset signal generation clears this register to 0000H.

Address: F022BH After reset: 00H R/W

Symbol	15	14	13	12	11	10	9	8
PWMDLY1	TO071	TO070	TO061	TO060	TO051	TO050	TO041	TO040

Address: F022AH After reset: 00H R/W

Symbol	7	6	5	4	3	2	1	0
PWMDLY1	TO031 ^{Note}	TO030 ^{Note}	TO021 ^{Note}	TO020 ^{Note}	TO011	TO010	0	0

TO0n1	TO0n0	PWM output delay control of timer array unit 0 TO0n
0	0	No delay
0	1	Delayed by one cycle of the CPU/peripheral hardware clock (f _{CLK}).
1	0	Delayed by two cycles of the CPU/peripheral hardware clock (f _{CLK}).
1	1	Delayed by three cycles of the CPU/peripheral hardware clock (f _{CLK}).

Remark n: Channel number (n = 1 to 7)

- Cautions**
1. Set this register before outputting a PWM output signal (do not change the setting during operation).
 2. Set this register with a 16-bit memory manipulation instruction. Do not set this register with a 1-bit or 8-bit memory manipulation instruction.
 3. If this register is not used for PWM output, it should be cleared to 0.
 4. When setting this register after the PWM output is stopped, wait for four cycles of the CPU/peripheral hardware clock (f_{CLK}) before the setting.
 5. Even if this register is set for a delay, this doesn't affect the operation of other pin functions multiplexed on the same pin as the TO0n pin function (n = 1 to 7).

6.3.19 PWM output delay control register 2 (PWMDLY2)

This register controls output delay of PWM output signal output from the TO1n pin.

Set the PWMDLY2 register by a 16-bit memory manipulation instruction.

Reset signal generation clears this register to 0000H.

Address: F022DH After reset: 00H R/W

Symbol	15	14	13	12	11	10	9	8
PWMDLY2	TO171	TO170	TO161	TO160	TO151	TO150	TO141	TO140

Address: F022CH After reset: 00H R/W

Symbol	7	6	5	4	3	2	1	0
PWMDLY2	TO131	TO130	TO121	TO120	TO111	TO110	0	0

TO1n1	TO1n0	PWM output delay control of timer array unit 1 TO1n
0	0	No delay
0	1	Delayed by one cycle of the CPU/peripheral hardware clock (f _{CLK}).
1	0	Delayed by two cycles of the CPU/peripheral hardware clock (f _{CLK}).
1	1	Delayed by three cycles of the CPU/peripheral hardware clock (f _{CLK}).

Remark n: Channel number (n = 1 to 7)

- Cautions**
1. Set this register before outputting a PWM output signal (do not change the setting during operation).
 2. Set this register with a 16-bit memory manipulation instruction. Do not set this register with a 1-bit or 8-bit memory manipulation instruction.
 3. If this register is not used for PWM output, it should be cleared to 0.
 4. When setting this register after the PWM output is stopped, wait for four cycles of the CPU/peripheral hardware clock (f_{CLK}) before the setting.
 5. Even if this register is set for a delay, this doesn't affect the operation of other pin functions multiplexed on the same pin as the TO1n pin function (n = 1 to 7).

6.3.20 PWM output delay control register 3 (PWMDLY3: 144-pin only)

This register controls output delay of PWM output signal output from the TO2n pin.

Set the PWMDLY3 register by a 16-bit memory manipulation instruction.

Reset signal generation clears this register to 0000H.

Address: F022FH After reset: 00H R/W

Symbol	15	14	13	12	11	10	9	8
PWMDLY3	TO271	TO270	TO261	TO260	TO251	TO250	TO241	TO240

Address: F022EH After reset: 00H R/W

Symbol	7	6	5	4	3	2	1	0
PWMDLY3	TO231	TO230	TO221	TO220	TO211	TO210	0	0

TO2n1	TO2n0	PWM output delay control of timer array unit 2 TO2n
0	0	No delay
0	1	Delayed by one cycle of the CPU/peripheral hardware clock (fCLK).
1	0	Delayed by two cycles of the CPU/peripheral hardware clock (fCLK).
1	1	Delayed by three cycles of the CPU/peripheral hardware clock (fCLK).

Remark n: Channel number (n = 1 to 7)

- Cautions**
1. Set this register before outputting a PWM output signal (do not change the setting during operation).
 2. Set this register with a 16-bit memory manipulation instruction. Do not set this register with a 1-bit or 8-bit memory manipulation instruction.
 3. If this register is not used for PWM output, it should be cleared to 0.
 4. When setting this register after the PWM output is stopped, wait for four cycles of the CPU/peripheral hardware clock (fCLK) before the setting.
 5. Even if this register is set for a delay, this doesn't affect the operation of other pin functions multiplexed on the same pin as the TO2n pin function (n = 1 to 7).

6.3.21 Unit select register (UTSEL: 144-pin only)

The UTSEL register switches units subject to accesses registers.

Set the UTSEL register by a 1-bit or 8-bit memory manipulation instruction.

Some registers of TAU1 and TAU2 are assigned same address. Those registers are pointed the objective unit to be accessed. The unit TAU1 or TAU2 must be pointed before the access by unit select register (UTSEL).

Address: F0210H After reset: 00H R/W

Symbol	7	6	5	4	3	2	1	0
UTSEL	0	0	0	0	0	SSEL0	0	TSEL0

SSEL0	Controls selection of serial array unit
0	Selects SAU1 (accessible registers of SAU1)
1	Selects SAU2 (accessible registers of SAU2)

TSEL0	Controls selection of timer array unit
0	Selects TAU1 (accessible registers of TAU1)
1	Selects TAU2 (accessible registers of TAU2)

6.4 Basic Rules of Timer Array Unit

6.4.1 Basic rules of simultaneous channel operation function

When simultaneously using multiple channels, namely, a combination of a master channel (a reference timer mainly counting the cycle) and slave channels (timers operating according to the master channel), the following rules apply.

- (1) Only an even channel (channel 0, 2, 4, 6) can be set as a master channel.
- (2) Any channel, except channel 0, can be set as a slave channel.
- (3) The slave channel must be lower than the master channel.

Example: If channel 2 is set as a master channel, channel 3 or those that follow (channels 3, 4, 5, ...) can be set as a slave channel.

- (4) Two or more slave channels can be set for one master channel.
- (5) When two or more master channels are to be used, slave channels with a master channel between them may not be set.

Example: If channels 0 and 4 are set as master channels, channels 1 to 3 can be set as the slave channel of master channel 0. Channels 5 to 7 cannot be set as the slave channel of master channel 0.

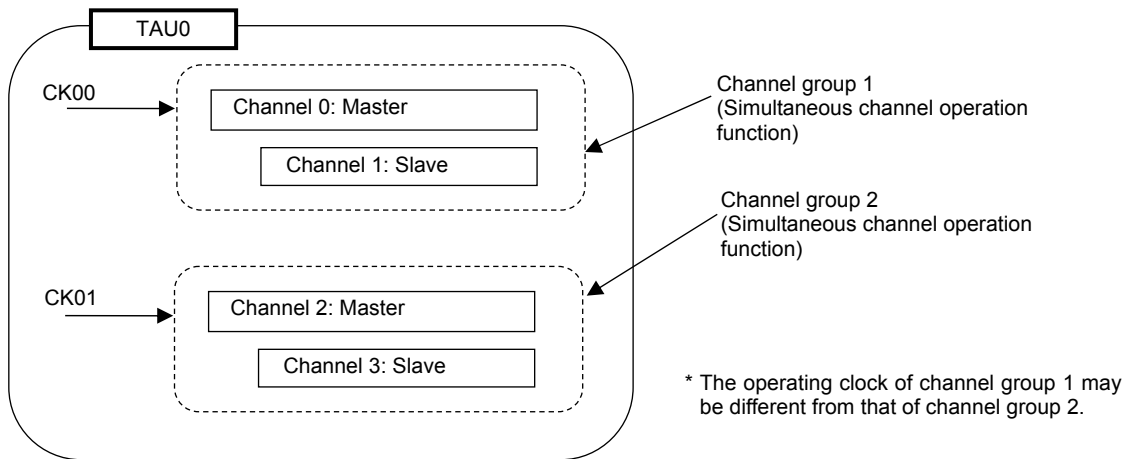
- (6) The operating clock for a slave channel in combination with a master channel must be the same as that of the master channel. The CKSmn0, CKSmn1 bits (bit 15, 14 of timer mode register mn (TMRmn)) of the slave channel that operates in combination with the master channel must be the same value as that of the master channel.
- (7) A master channel can transmit INTTMmn (interrupt), start software trigger, and count clock to the lower channels.
- (8) A slave channel can use INTTMmn (interrupt), a start software trigger, or the count clock of the master channel as a source clock, but cannot transmit its own INTTMmn (interrupt), start software trigger, or count clock to channels with lower channel numbers.
- (9) A master channel cannot use INTTMmn (interrupt), a start software trigger, or the count clock from the other higher master channel as a source clock.
- (10) To simultaneously start channels that operate in combination, the channel start trigger bit (TSMn) of the channels in combination must be set at the same time.
- (11) During the counting operation, a TSMn bit of a master channel or TSMn bits of all channels which are operating simultaneously can be set. It cannot be applied to TSMn bits of slave channels alone.
- (12) To stop the channels in combination simultaneously, the channel stop trigger bit (TTmn) of the channels in combination must be set at the same time.
- (13) Timer mode register m0 (TMRm0) has no master bit (it is fixed as "0"). However, as channel 0 is the highest channel, it can be used as a master channel during simultaneous operation.

The rules of the simultaneous channel operation function are applied in a channel group (a master channel and slave channels forming one simultaneous channel operation function).

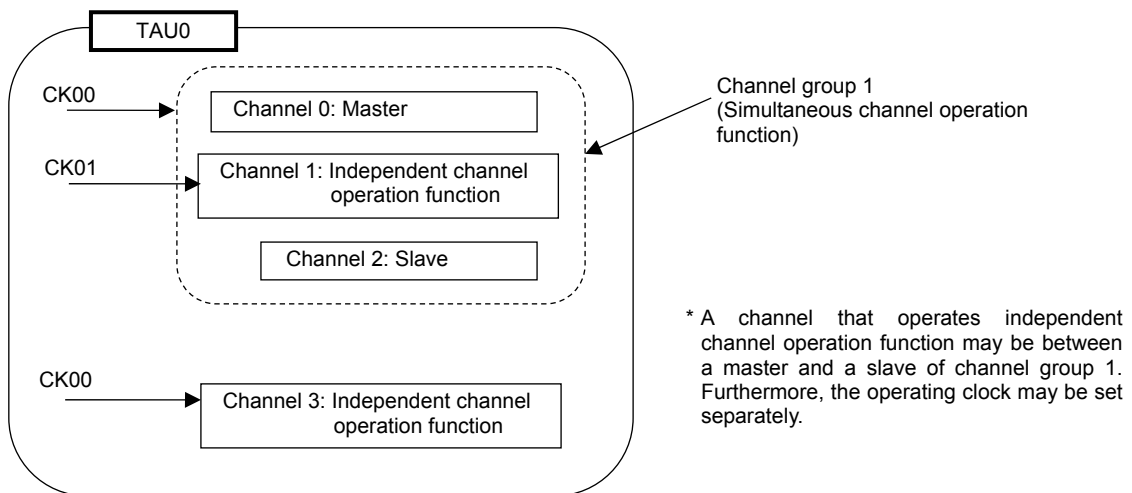
If two or more channel groups that do not operate in combination are specified, the basic rules described above do not apply to the channel groups.

Remark m: Unit number (m = 0 to 2), n: Channel number (n = 0 to 7)

Example 1



Example 2



6.4.2 Basic rules of 8-bit timer operation function (unit0, 1: channels 1 and 3 only)

The 8-bit timer operation function makes it possible to use a 16-bit timer channel in a configuration consisting of two 8-bit timer channels.

This function can only be used for channels 1 and 3, and there are several rules for using it.

The basic rules for this function are as follows:

- (1) The 8-bit timer operation function applies only to channels 1 and 3.
- (2) When using 8-bit timers, set the SPLIT bit of timer mode register mn (TMRmn) to 1.
- (3) The higher 8 bits can be operated as the interval timer function.
- (4) At the start of operation, the higher 8 bits output INTTm1H/INTTm3H (an interrupt) (which is the same operation performed when MDmn0 is set to 1).
- (5) The operation clock of the higher 8 bits is selected according to the CKSmn1 and CKSmn0 bits of the lower-bit TMRmn register.
- (6) For the higher 8 bits, the TSHm1/TSHm3 bit is manipulated to start channel operation and the TTHm1/TTHm3 bit is manipulated to stop channel operation. The channel status can be checked using the TEHm1/TEHm3 bit.
- (7) The lower 8 bits operate according to the TMRmn register settings. The following three functions support operation of the lower 8 bits:
 - Interval timer function
 - External event counter function
 - Delay count function
- (8) For the lower 8 bits, the TSm1/TSm3 bit is manipulated to start channel operation and the TTm1/TTm3 bit is manipulated to stop channel operation. The channel status can be checked using the TEM1/TEm3 bit.
- (9) During 16-bit operation, manipulating the TSHm1, TSHm3, TTHm1, and TTHm3 bits is invalid. The TSm1, TSm3, TTm1, and TTm3 bits are manipulated to operate channels 1 and 3. The TEHm3 and TEHm1 bits are not changed.
- (10) For the 8-bit timer function, the simultaneous operation functions (one-shot pulse, PWM, and multiple PWM) cannot be used.

Remark m: Unit number (m = 0, 1), n: Channel number (n = 1, 3)

Caution TAU1 must be set after setting TSEL0 bit of unit select register (UTSEL) to 0 in 144-pin products.

6.5 Operation Timing of Counter

6.5.1 Count clock (f_{TCLK})

The count clock (f_{TCLK}) of the timer array unit can be selected between following by CCS_{mn} bit of timer mode register mn (TMR_{mn}).

- Operation clock (f_{MCK}) specified by the CKS_{mn0} and CKS_{mn1} bits
- Valid edge of input signal input from the TI_{mn} pin

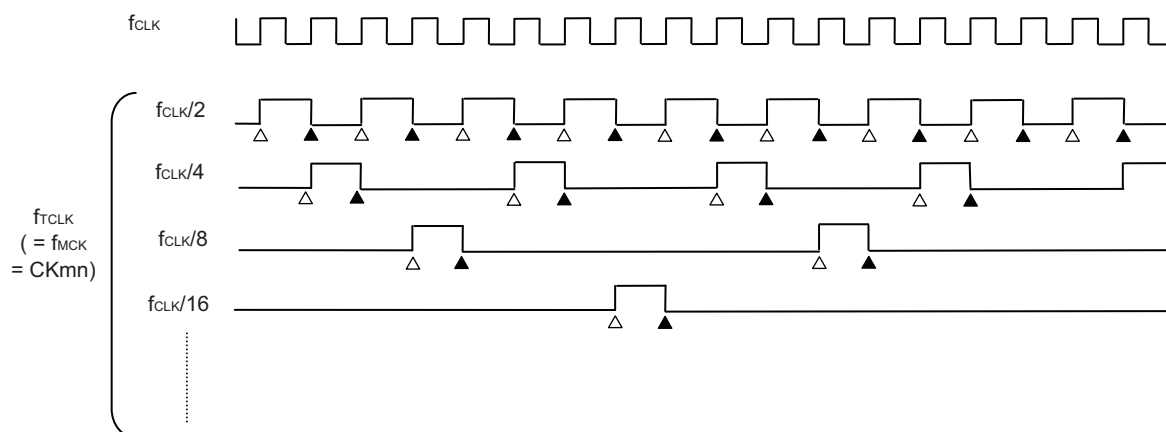
Because the timer array unit is designed to operate in synchronization with f_{CLK}, the timings of the count clock (f_{TCLK}) are shown below.

(1) When operation clock (f_{MCK}) specified by the CKS_{mn0} and CKS_{mn1} bits is selected (CCS_{mn} = 0)

The count clock (f_{TCLK}) is between f_{CLK} to f_{CLK} / 2¹⁵ by setting of timer clock select register m (TPS_m). When a divided f_{CLK} is selected, however, the clock is a signal which becomes high level for one period of f_{CLK} from its rising edge. When f_{CLK} is selected, the clock is fixed high.

Counting of timer count register mn (TCR_{mn}) delayed by one period of f_{CLK} from rising edge of the count clock, because of synchronization with f_{CLK}. But, this is described as “counting at rising edge of the count clock”, as a matter of convenience.

Figure 6-29 Timing of f_{CLK} and count clock (f_{TCLK}) (When CCS_{mn} = 0)



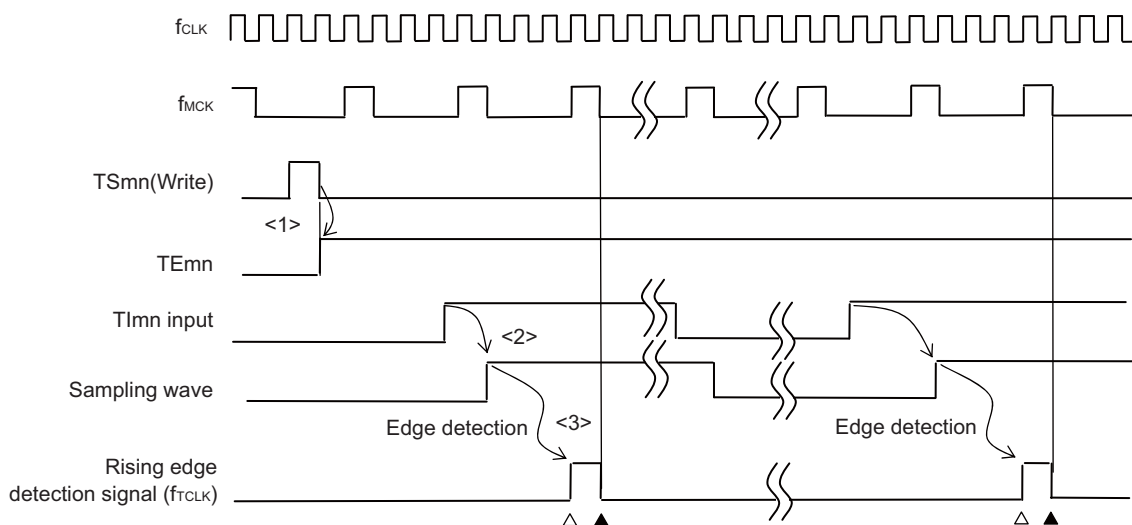
- Remarks 1. Δ : Rising edge of the count clock
 ▲ : Synchronization, increment/decrement of counter
 2. f_{CLK}: CPU/peripheral hardware clock

(2) When valid edge of input signal via the TImn pin is selected (CCSmn = 1)

The count clock (f_{CLK}) becomes the signal that detects valid edge of input signal via the TImn pin and synchronizes next rising f_{MCK} . The count clock (f_{CLK}) is delayed for 1 to 2 period of f_{MCK} from the input signal via the TImn pin (when a noise filter is used, the delay becomes 3 to 4 clock).

Counting of timer count register mn (TCRmn) delayed by one period of f_{CLK} from rising edge of the count clock, because of synchronization with f_{CLK} . But, this is described as “counting at valid edge of input signal via the TImn pin”, as a matter of convenience.

Figure 6-30 Timing of count clock (f_{CLK}) (When CCSmn = 1, noise filter unused)



<1> Setting TSmn bit to 1 enables the timer to be started and to become wait state for valid edge of input signal via the TImn pin.

<2> The rise of input signal via the TImn pin is sampled by f_{MCK} .

<3> The edge is detected by the rising of the sampled signal and the detection signal (count clock) is output.

- Remarks 1.** Δ : Rising edge of the count clock
 \blacktriangle : Synchronization, increment/decrement of counter
2. f_{CLK} : CPU/peripheral hardware clock
 f_{MCK} : Operation clock of channel n
 3. The waveform of the input signal via TImn pin of the input pulse interval measurement, the measurement of high/low width of input signal, and the delay counter, and the one-shot pulse output are the same as that shown in Figure 6-30.

6.5.2 Start timing of counter

Timer count register mn (TCRmn) becomes enabled to operation by setting of TSmn bit of timer channel start register m (TSm).

Operations from count operation enabled state to timer count Register mn (TCRmn) count start is shown in Table 6-6.

Table 6-6. Operations from Count Operation Enabled State to Timer count Register mn (TCRmn) Count Start

Timer operation mode	Operation when TSmn = 1 is set
<ul style="list-style-type: none"> Interval timer mode 	<p>No operation is carried out from start trigger detection (TSmn=1) until count clock generation.</p> <p>The first count clock loads the value of the TDRmn register to the TCRmn register and the subsequent count clock performs count down operation (see 6.5.3 (1) Start timing in interval timer mode).</p>
<ul style="list-style-type: none"> Event counter mode 	<p>Writing 1 to the TSmn bit loads the value of the TDRmn register to the TCRmn register.</p> <p>The subsequent count clock performs count down operation.</p> <p>The external trigger detection selected by the STSmn2 to STSmn0 bits in the TMRmn register does not start count operation (see 6.5.3 (2) Start timing in event counter mode).</p>
<ul style="list-style-type: none"> Capture mode 	<p>No operation is carried out from start trigger detection until count clock generation.</p> <p>The first count clock loads 0000H to the TCRmn register and the subsequent count clock performs count up operation (see 6.5.3 (3) Start timing in capture mode).</p>
<ul style="list-style-type: none"> One-count mode 	<p>The waiting-for-start-trigger state is entered by writing 1 to the TSmn bit while the timer is stopped (TEmn = 0).</p> <p>No operation is carried out from start trigger detection until count clock generation.</p> <p>The first count clock loads the value of the TDRmn register to the TCRmn register and the subsequent count clock performs count down operation (see 6.5.3 (4) Start timing in one-count mode).</p>
<ul style="list-style-type: none"> Capture & one-count mode 	<p>The waiting-for-start-trigger state is entered by writing 1 to the TSmn bit while the timer is stopped (TEmn = 0).</p> <p>No operation is carried out from start trigger detection until count clock generation.</p> <p>The first count clock loads 0000H to the TCRmn register and the subsequent count clock performs count up operation (see 6.5.3 (5) Start timing in capture & one-count mode (when high-level width is measured)).</p>

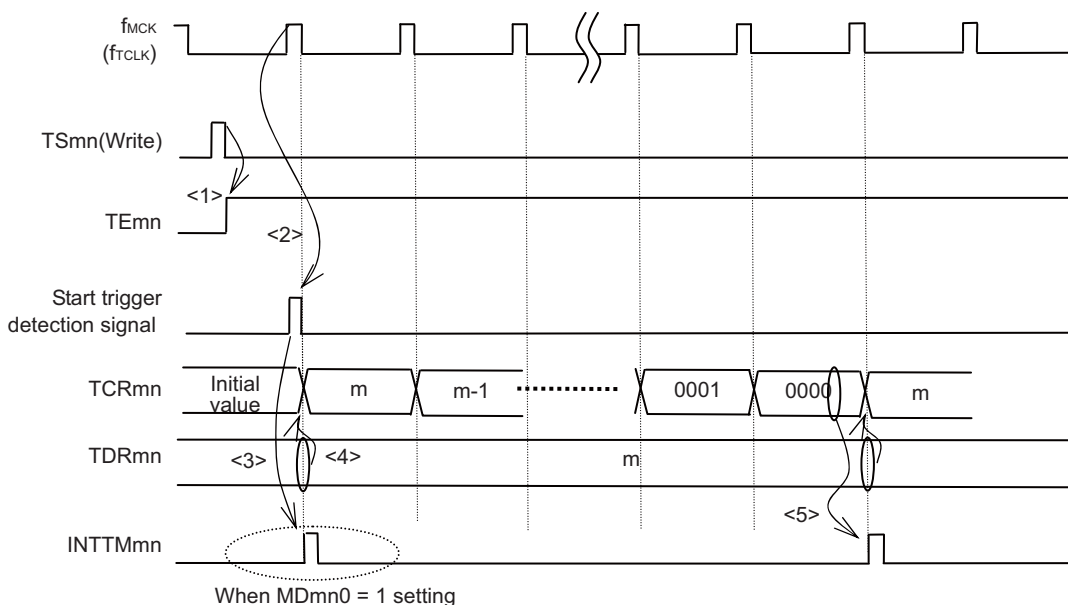
6.5.3 Operation of counter

Here, the counter operation in each mode is explained.

(1) Start timing in interval timer mode

- <1> Operation is enabled (TE_{mn} = 1) by writing 1 to the TS_{mn} bit. Timer count register mn (TCR_{mn}) holds the initial value until count clock generation.
- <2> A start trigger is generated at the first count clock after operation is enabled.
- <3> When the MD_{mn0} bit is set to 1, INTT_{mn} is generated by the start trigger.
- <4> By the first count clock after the operation enable, the value of timer data register mn (TDR_{mn}) is loaded to the TCR_{mn} register and counting starts in the interval timer mode.
- <5> When the TCR_{mn} register counts down and its count value is 0000H, INTT_{mn} is generated and the value of timer data register mn (TDR_{mn}) is loaded to the TCR_{mn} register and counting keeps on.

Figure 6-31 Start Timing (In Interval Timer Mode)



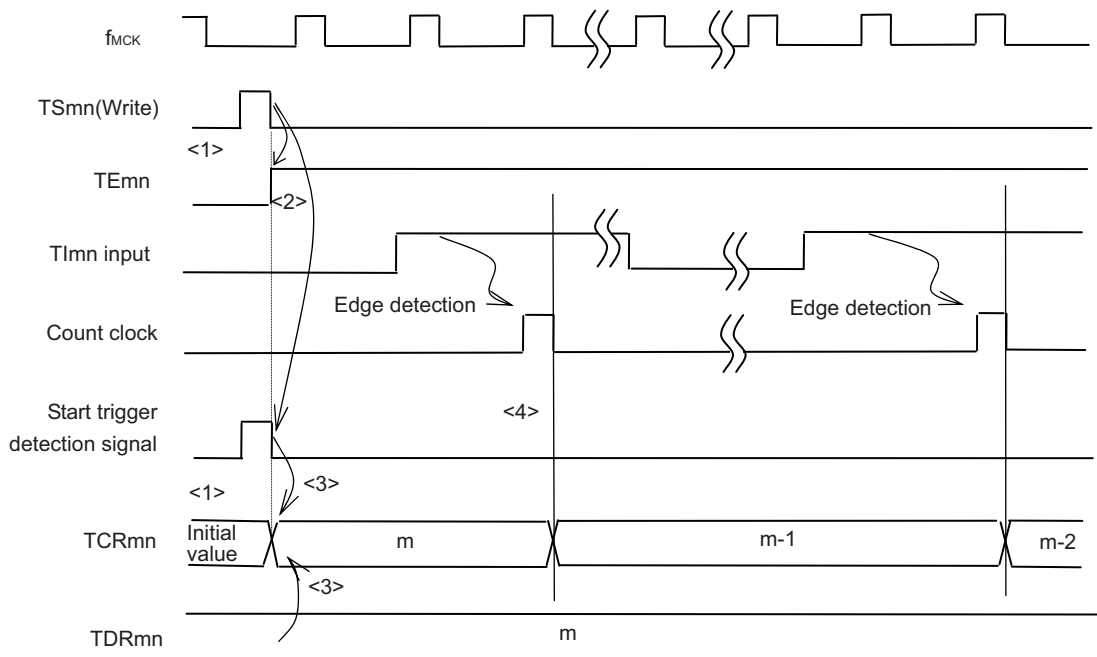
Caution In the first cycle operation of count clock after writing the TS_{mn} bit, an error at a maximum of one clock is generated since count start delays until count clock has been generated. When the information on count start timing is necessary, an interrupt can be generated at count start by setting MD_{mn0} = 1.

Remark f_{MCK}, the start trigger detection signal, and INTT_{mn} become active between one clock in synchronization with f_{CLK}.

(2) Start timing in event counter mode

- <1> Timer count register mn (TCRmn) holds its initial value while operation is stopped (TEmn = 0).
- <2> Operation is enabled (TEmn = 1) by writing 1 to the TSmn bit.
- <3> As soon as 1 has been written to the TSmn bit and 1 has been set to the TEmn bit, the value of timer data register mn (TDRmn) is loaded to the TCRmn register to start counting.
- <4> After that, the TCRmn register value is counted down according to the count clock of the valid edge of the TImn input .

Figure 6-32 Start Timing (In Event Counter Mode)

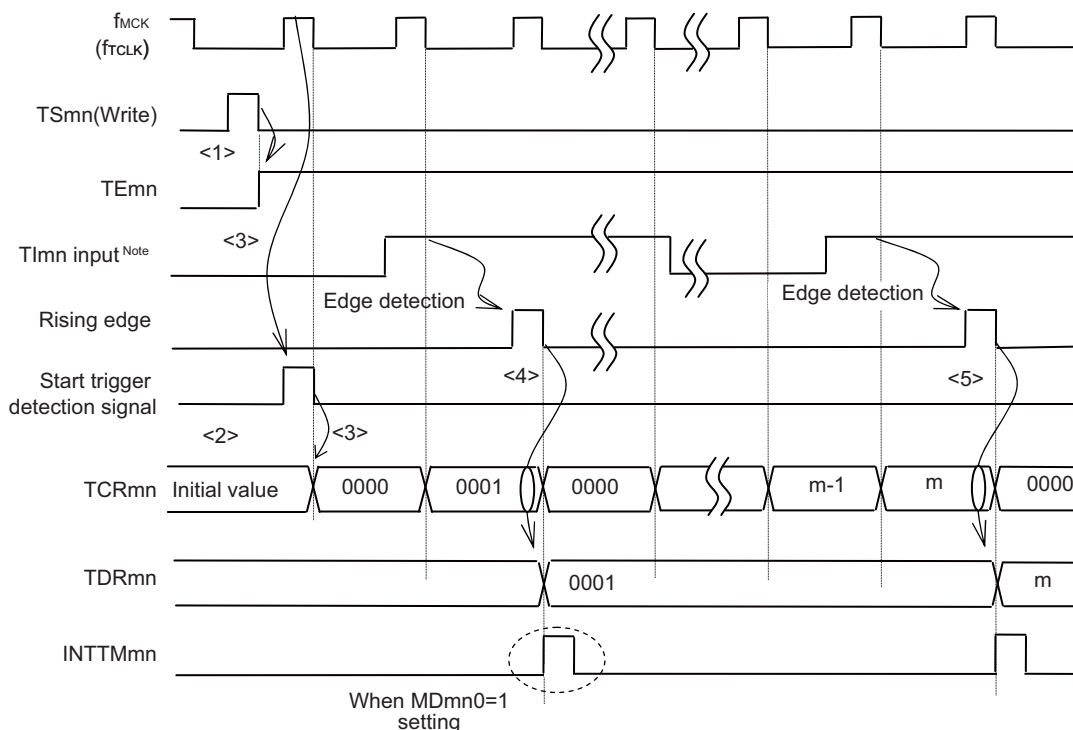


Remark The timing is shown in Figure 6-32 indicates while the noise filter is not used. By making the noise filter on-state, the edge detection becomes 2 f_{MCK} cycles (it sums up to 3 to 4 cycles) later than the normal cycle of TImn input.

(3) Start timing in capture mode

- <1> Operation is enabled (TE_{mn} = 1) by writing 1 to the TS_{mn} bit.
- <2> Timer count register mn (TCR_{mn}) holds the initial value until count clock generation.
- <3> A start trigger is generated at the first count clock after operation is enabled. And the value of 0000H is loaded to the TCR_{mn} register and counting starts in the capture mode. (When the MD_{mn0} bit is set to 1, INTTM_{mn} is generated by the start trigger.)
- <4> On detection of the valid edge of the TI_{mn} input, the value of the TCR_{mn} register is captured to timer data register mn (TDR_{mn}) and INTTM_{mn} is generated. However, this capture value is no meaning. The TCR_{mn} register keeps on counting from 0000H.
- <5> On next detection of the valid edge of the TI_{mn} input, the value of the TCR_{mn} register is captured to timer data register mn (TDR_{mn}) and INTTM_{mn} is generated.

Figure 6-33 Operation Timing (In Capture Mode : Input Pulse Interval Measurement)



Note If a clock has been input to TI_{mn} (the trigger exists) when capturing starts, counting starts when a trigger is detected, even if no edge is detected. Therefore, the first captured value (<4>) does not determine a pulse interval (in the above figure, 0001 just indicates two clock cycles but does not determine the pulse interval) and so the user can ignore it.

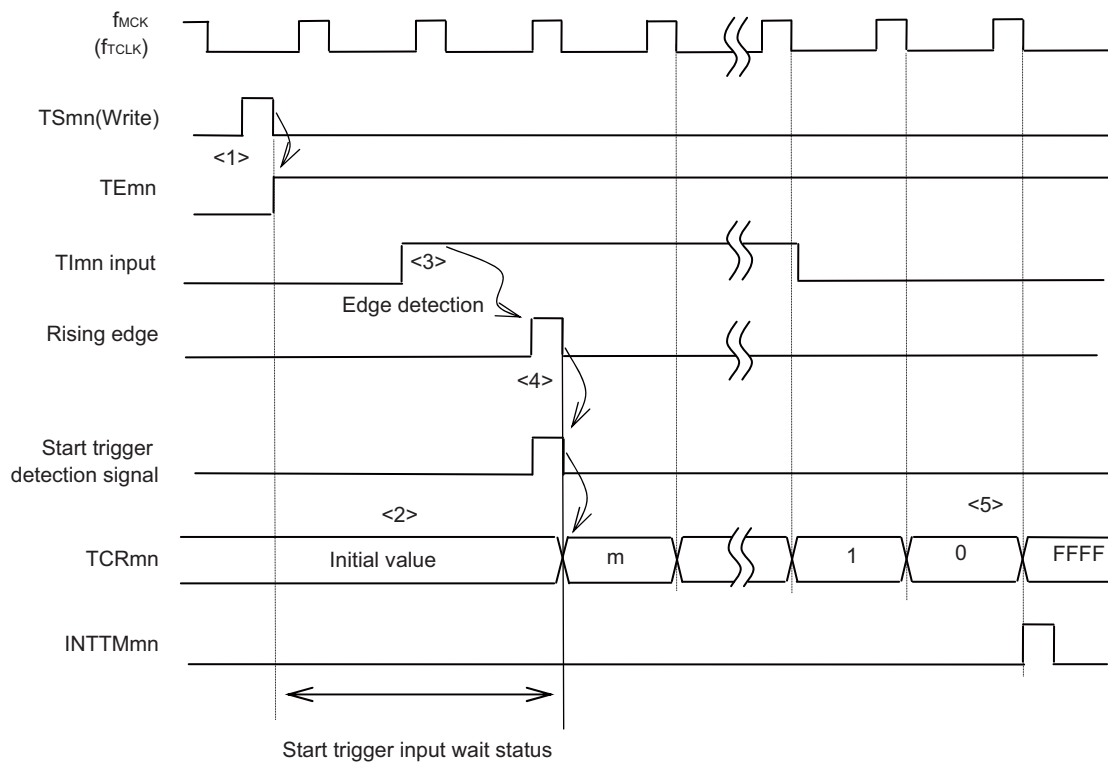
Caution In the first cycle operation of count clock after writing the TS_{mn} bit, an error at a maximum of one clock is generated since count start delays until count clock has been generated. When the information on count start timing is necessary, an interrupt can be generated at count start by setting MD_{mn0} = 1.

Remark The timing is shown in Figure 6-33 indicates while the noise filter is not used. By making the noise filter on-state, the edge detection becomes 2 f_{MCK} cycles (it sums up to 3 to 4 cycles) later than the normal cycle of TI_{mn} input.

(4) Start timing in one-count mode

- <1> Operation is enabled (TE_{mn} = 1) by writing 1 to the TS_{mn} bit.
- <2> Timer count register mn (TCR_{mn}) holds the initial value until start trigger generation.
- <3> Rising edge of the TI_{mn} input is detected.
- <4> On start trigger detection, the value of timer data register mn (TDR_{mn}) is loaded to the TCR_{mn} register and count starts.
- <5> When the TCR_{mn} register counts down and its count value is 0000H, INTTM_{mn} is generated and the value of the TCR_{mn} register becomes FFFFH and counting stops

Figure 6-34 Start Timing (In One-count Mode)

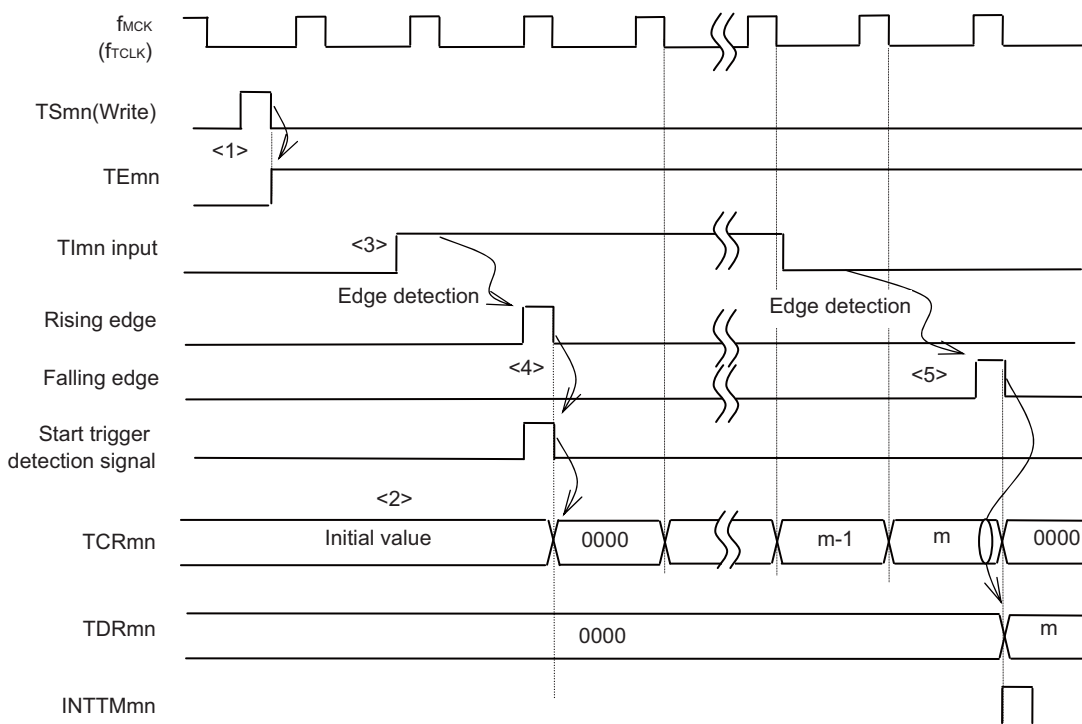


Remark The timing is shown in Figure 6-34 indicates while the noise filter is not used. By making the noise filter on-state, the edge detection becomes 2 f_{MCK} cycles (it sums up to 3 to 4 cycles) later than the normal cycle of TI_{mn} input. The error per one period occurs because of the asynchronous between the period of the TI_{mn} input and that of the count clock (f_{MCK}).

(5) Start timing in capture & one-count mode (when high-level width is measured)

- <1> Operation is enabled ($TE_{mn} = 1$) by writing 1 to the TS_{mn} bit of timer channel start register m (TS_{mn}).
- <2> Timer count register mn (TCR_{mn}) holds the initial value until start trigger generation.
- <3> Rising edge of the TI_{mn} input is detected.
- <4> On start trigger detection, the value of 0000H is loaded to the TCR_{mn} register and count starts.
- <5> On detection of the falling edge of the TI_{mn} input, the value of the TCR_{mn} register is captured to timer data register mn (TDR_{mn}) and $INTTM_{mn}$ is generated.

Figure 6-35 Start Timing (In Capture & One-count Mode)

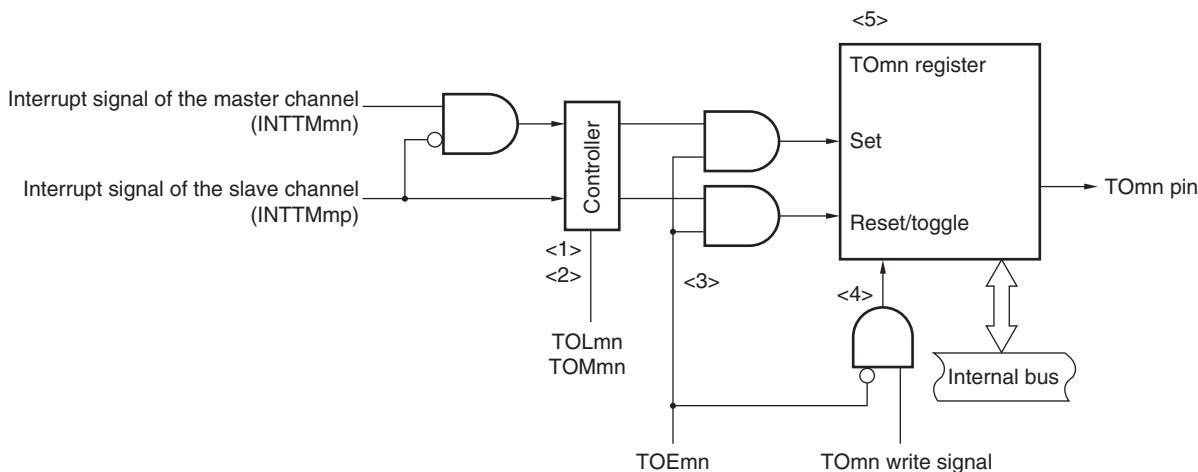


Remark The timing is shown in Figure 6-35 indicates while the noise filter is not used. By making the noise filter on-state, the edge detection becomes 2 f_{MCK} cycles (it sums up to 3 to 4 cycles) later than the normal cycle of TI_{mn} input. The error per one period occurs because of the asynchronous relationship between the period of the TI_{mn} input and that of the count clock (f_{MCK}).

6.6 Channel Output (TOMn pin) Control

6.6.1 TOMn pin output circuit configuration

Figure 6-36 Output Circuit Configuration



The following describes the TOMn pin output circuit.

- <1> When TOMmn = 0 (master channel output mode), the set value of timer output level register m (TOLm) is ignored and only INTTM0p (slave channel timer interrupt) is transmitted to timer output register m (TOM).
- <2> When TOMmn = 1 (slave channel output mode), both INTTMmn (master channel timer interrupt) and INTTM0p (slave channel timer interrupt) are transmitted to the TOM register.

At this time, the TOLm register becomes valid and the signals are controlled as follows:

- When TOLmn = 0: Forward operation (INTTMmn → set, INTTM0p → reset)
- When TOLmn = 1: Reverse operation (INTTMmn → reset, INTTM0p → set)

When INTTMmn and INTTM0p are simultaneously generated, (0% output of PWM), INTTM0p (reset signal) takes priority, and INTTMmn (set signal) is masked.

- <3> While timer output is enabled (TOEmn = 1), INTTMmn (master channel timer interrupt) and INTTM0p (slave channel timer interrupt) are transmitted to the TOM register. Writing to the TOM register (TOMn write signal) becomes invalid.

When TOEmn = 1, the TOMn pin output never changes with signals other than interrupt signals.

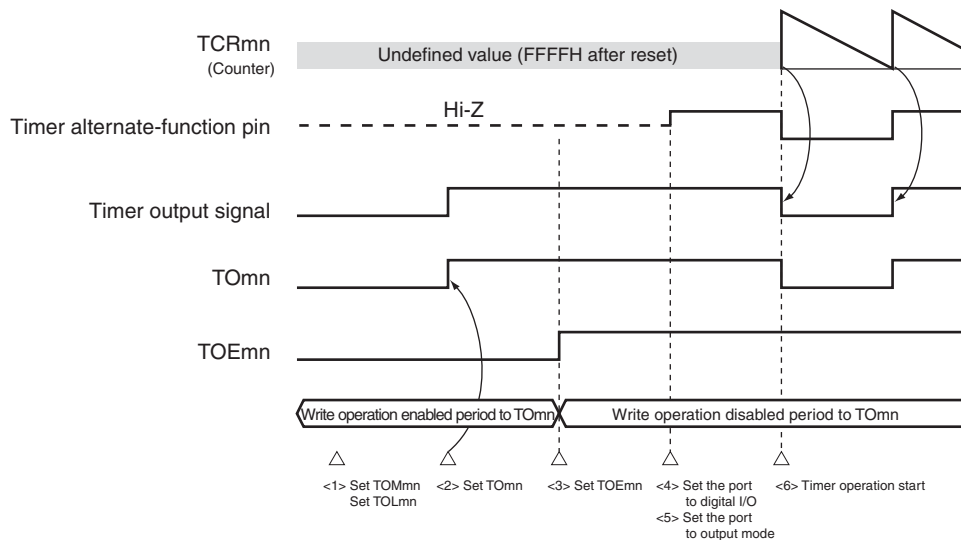
To initialize the TOMn pin output level, it is necessary to set timer operation is stopped (TOEmn = 0) and to write a value to the TOM register.
- <4> While timer output is disabled (TOEmn = 0), writing to the TOMn bit to the target channel (TOMn write signal) becomes valid. When timer output is disabled (TOEmn = 0), neither INTTMmn (master channel timer interrupt) nor INTTM0p (slave channel timer interrupt) is transmitted to the TOM register.
- <5> The TOM register can always be read, and the TOMn pin output level can be checked.

Remark m: Unit number (m = 0 to 2)
 n: Channel number
 n = 0 to 7 (n = 0, 2, 4, 6 for master channel)
 p: Slave channel number
 n < p ≤ 7

6.6.2 TOMn Pin Output Setting

The following figure shows the procedure and status transition of the TOMn output pin from initial setting to timer operation start.

Figure 6-37 Status Transition from Timer Output Setting to Operation Start



<1> The operation mode of timer output is set.

- TOMmn bit (0: Master channel output mode, 1: Slave channel output mode)
- TOLmn bit (0: Non-inverted output, 1: Inverted output)

<2> The timer output signal is set to the initial status by setting timer output register m (TOM).

<3> The timer output operation is enabled by writing 1 to the TOEmn bit (writing to the TOM register is disabled).

<4> The port mode control registers (PMCxx) are used to set the use of port pins for digital I/O (see **4.3.6 Port mode control registers 7, 12 (PMC7, PMC12)**).

<5> The port I/O setting is set to output (see **6.3.17 Port mode registers 0, 1, 3, 4, 5, 6, 7, 11, 12, 14 (PM0, PM1, PM3, PM4, PM5, PM6, PM7, PM11, PM12, PM14)**).

<6> The timer operation is enabled (TSMn = 1).

Remark 144-pin products m: Unit number (m = 0 to 2), n: Channel number (n = 0 to 7)

100-pin, 80-pin, 64-pin, and 48-pin products m: Unit number (m = 0 and 1), n: Channel number (n = 0 to 7)

Caution TOMm, TOLm, Tom, TOEm and TSm registers of TAU1 or TAU2 must be set after setting TSEL0 bit of unit select register (UTSEL) in 144-pin products.

6.6.3 Cautions on Channel Output Operation

(1) Changing values set in the registers TOM, TOEm, TOLm, and TOMm during timer operation

Since the timer operations (operations of timer count register mn (TCRmn) and timer data register mn (TDRmn)) are independent of the TOMn output circuit and changing the values set in timer output register m (TOM), timer output enable register m (TOEm), timer output level register m (TOLm), and timer output mode register m (TOMm) does not affect the timer operation, the values can be changed during timer operation. To output an expected waveform from the TOMn pin by timer operation, however, set the TOM, TOEm, TOLm, and TOMm registers to the values stated in the register setting example of each operation shown by 6.7 and 6.8.

When the values set to the TOEm, TOLm, and TOMm registers (but not the TOM register) are changed close to the occurrence of the timer interrupt (INTTMmn) of each channel, the waveform output to the TOMn pin might differ, depending on whether the values are changed immediately before or immediately after the timer interrupt (INTTMmn) occurs.

Remark m: Unit number (m = 0 to 2), n: Channel number (n = 0 to 7)

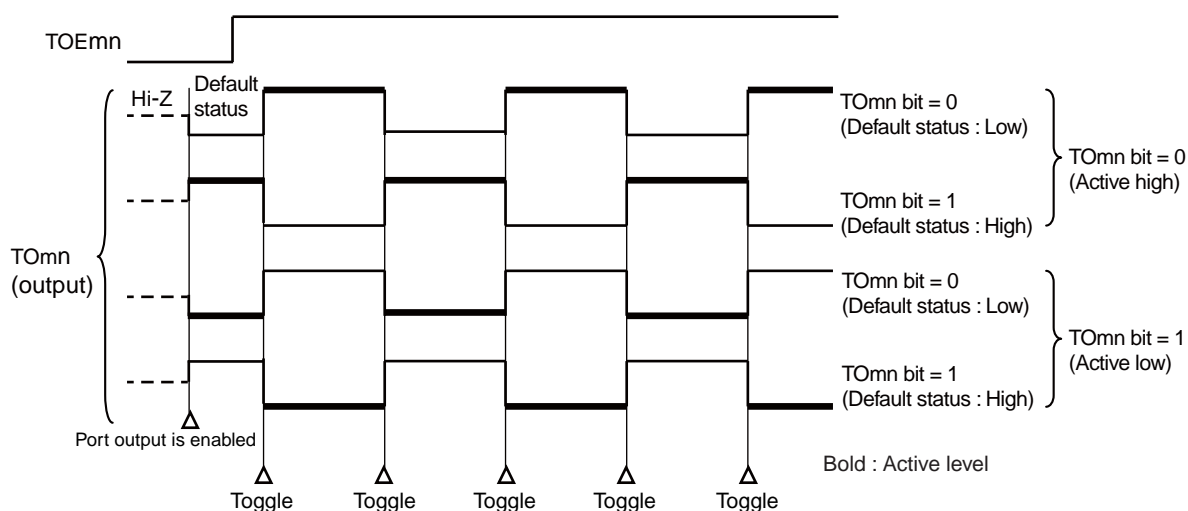
(2) Default level of TOMn pin and output level after timer operation start

The change in the output level of the TOMn pin when timer output register m (TOM) is written while timer output is disabled (TOEmn = 0), the initial level is changed, and then timer output is enabled (TOEmn = 1) before port output is enabled, is shown below.

(a) When operation starts with master channel output mode (TOMmn = 0) setting

The setting of timer output level register m (TOLm) is invalid when master channel output mode (TOMmn = 0). When the timer operation starts after setting the default level, the toggle signal is generated and the output level of the TOMn pin is reversed.

Figure 6-38 TOMn Pin Output Status at Toggle Output (TOMmn = 0)

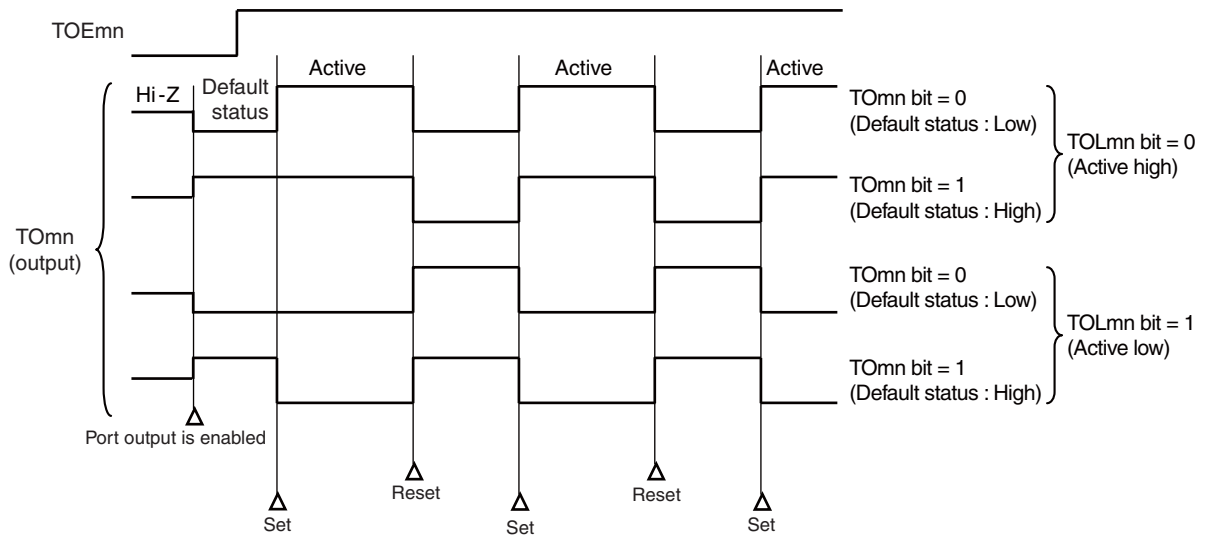


- Remarks 1.** Toggle: Reverse TOMn pin output status
- 2.** m: Unit number (m = 0 to 2), n: Channel number (n = 0 to 7)

(b) When operation starts with slave channel output mode (TOMmn = 1) setting (PWM output)

When slave channel output mode (TOMmn = 1), the active level is determined by timer output level register m (TOLm) setting.

Figure 6-39 TOMn Pin Output Status at PWM Output (TOMmn = 1)



- Remarks 1.** Set: The output signal of the TOMn pin changes from inactive level to active level.
 Reset: The output signal of the TOMn pin changes from active level to inactive level.
- 2.** m: Unit number (m = 0 to 2), n: Channel number (n = 0 to 7)

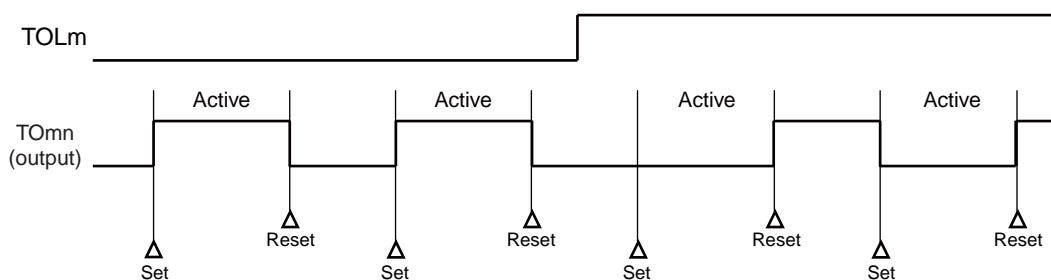
(3) Operation of TOMn pin in slave channel output mode (TOMmn = 1)

(a) When timer output level register m (TOLm) setting has been changed during timer operation

When the TOLm register setting has been changed during timer operation, the setting becomes valid at the generation timing of the TOMn pin change condition. Rewriting the TOLm register does not change the output level of the TOMn pin.

The operation when TOMmn is set to 1 and the value of the TOLm register is changed while the timer is operating (TEmn = 1) is shown below.

Figure 6-40 Operation when TOLm Register Has Been Changed during Timer Operation



- Remarks 1.** Set: The output signal of the TOMn pin changes from inactive level to active level.
 Reset: The output signal of the TOMn pin changes from active level to inactive level.
- 2.** m: Unit number (m = 0 to 2), n: Channel number (n = 0 to 7)

(b) Set/reset timing

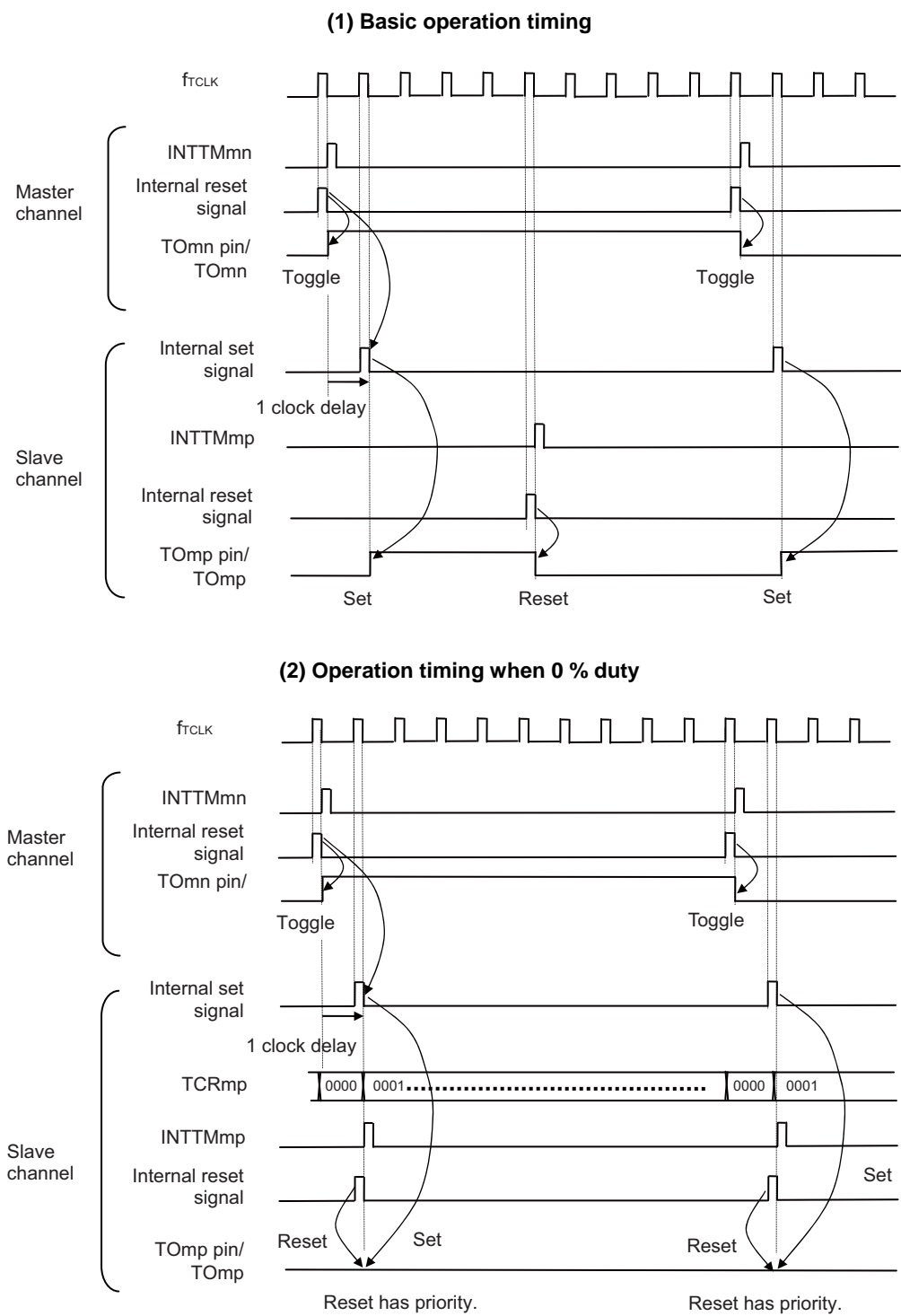
To realize 0%/100% output at PWM output, the TOMn pin/TOMn bit set timing at master channel timer interrupt (INTTMmn) generation is delayed by 1 count clock by the slave channel.

If the set condition and reset condition are generated at the same time, a higher priority is given to the latter.

Figure 6-41 shows the set/reset operating statuses where the master/slave channels are set as follows.

- Master channel: TOEmn = 1, TOMmn = 0, TOLmn = 0
 Slave channel: TOEmp = 1, TOMmp = 1, TOLmp = 0

Figure 6-41 Set/Reset Timing Operating Statuses



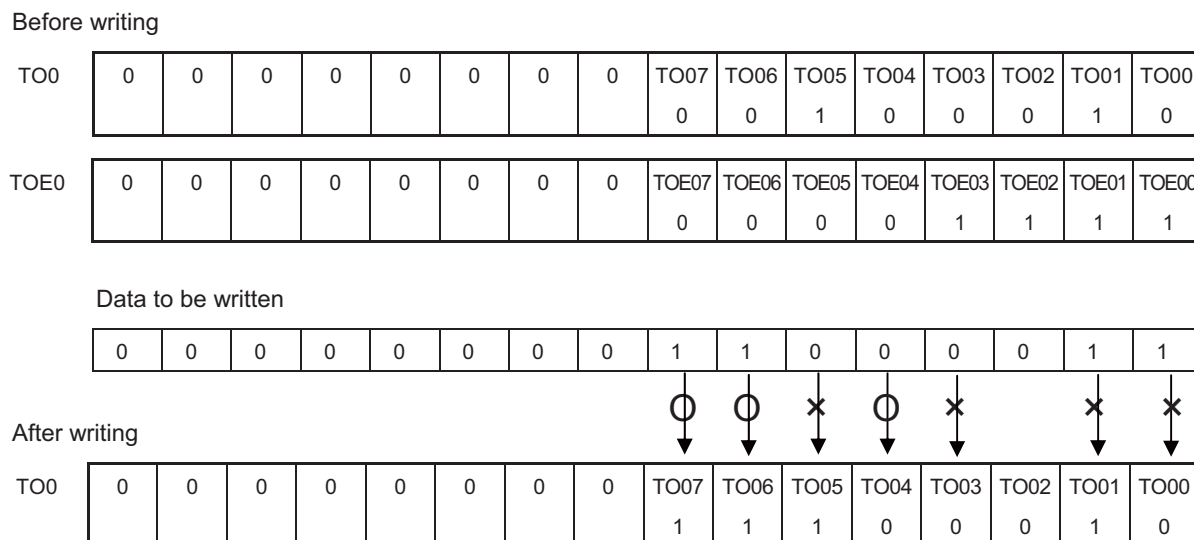
- Remarks 1.** Internal reset signal: TOmn pin reset/toggle signal
 Internal set signal: TOmn pin set signal
- 2.** m: Unit number (m = 0 to 2)
 n: Channel number
 n = 0 to 7 (n = 0, 2, 4, 6 for master channel)
 p: Slave channel number
 n < p ≤ 7

6.6.4 Collective manipulation of TOMn bit

In timer output register m (TOM), the setting bits for all the channels are located in one register in the same way as timer channel start register m (TSM). Therefore, the TOMn bit of all the channels can be manipulated collectively.

Only the desired bits can also be manipulated by enabling writing only to the TOMn bits (TOEmn = 0) that correspond to the relevant bits of the channel used to perform output (TOMn).

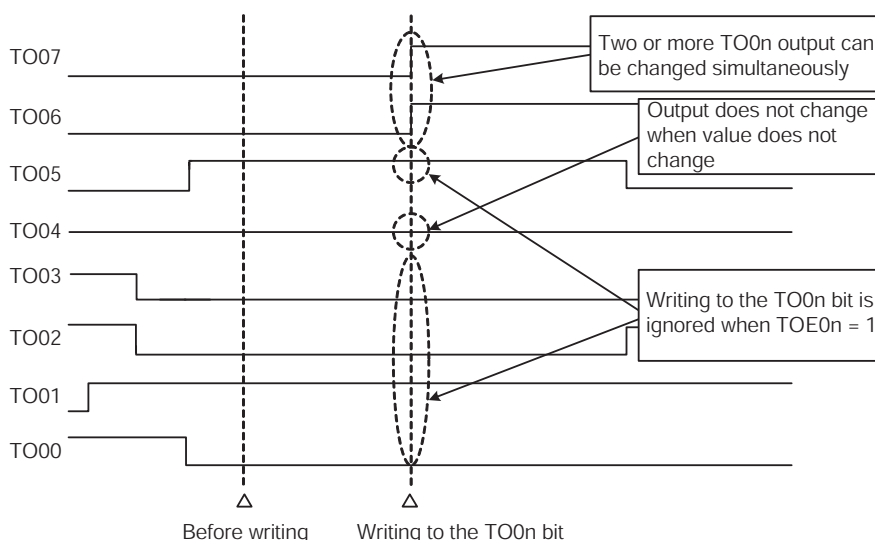
Figure 6-42 Example of TO0n Bit Collective Manipulation



Writing is done only to the TOMn bit with TOEmn = 0, and writing to the TOMn bit with TOEmn = 1 is ignored.

TOMn (channel output) to which TOEmn = 1 is set is not affected by the write operation. Even if the write operation is done to the TOMn bit, it is ignored and the output change by timer operation is normally done.

Figure 6-43 TO0n Pin Statuses by Collective Manipulation of TO0n Bit



(Caution and Remarks are given on the next page.)

Caution While timer output is enabled (TOEmn = 1), even if the output by timer interrupt of each timer (INTTMmn) contends with writing to the TOmn bit, output is normally done to the TOmn pin.

Remark m: Unit number (m = 0 to 2), n: Channel number (n = 0 to 7)

6.6.5 Timer Interrupt and TOmn Pin Output at Operation Start

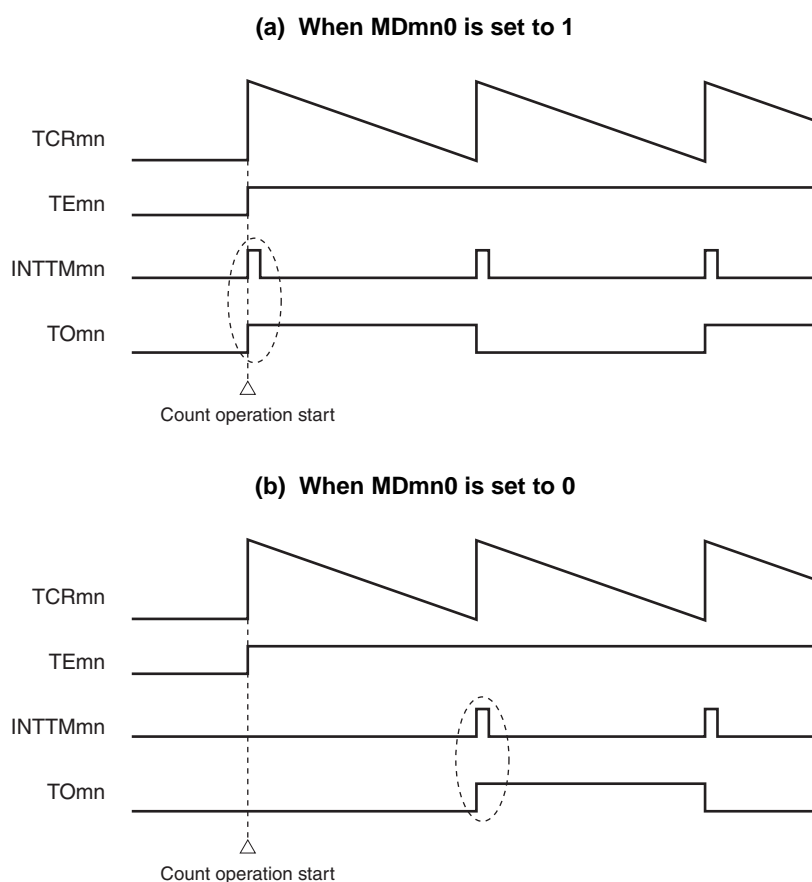
In the interval timer mode or capture mode, the MDmn0 bit in timer mode register mn (TMRmn) sets whether or not to generate a timer interrupt at count start.

When MDmn0 is set to 1, the count operation start timing can be known by the timer interrupt (INTTMmn) generation.

In the other modes, neither timer interrupt at count operation start nor TOmn output is controlled.

Figures 6-37 shows operation examples when the interval timer mode (TOEmn = 1, TOMmn = 0) is set.

Figure 6-44 Operation examples of timer interrupt at count operation start and TOmn output



When MDmn0 is set to 1, a timer interrupt (INTTMmn) is output at count operation start, and TOmn performs a toggle operation.

When MDmn0 is set to 0, a timer interrupt (INTTMmn) is not output at count operation start, and TOmn does not change either. After counting one cycle, INTTMmn is output and TOmn performs a toggle operation.

Remark m: Unit number (m = 0 to 2), n: Channel number (n = 0 to 7)

6.7 Independent Channel Operation Function of Timer Array Unit

6.7.1 Operation as interval timer/square wave output

(1) Interval timer

The timer array unit can be used as a reference timer that generates INTTMmn (timer interrupt) at fixed intervals. The interrupt generation period can be calculated by the following expression.

$$\text{Generation period of INTTMmn (timer interrupt)} = \text{Period of count clock} \times (\text{Set value of TDRmn} + 1)$$

(2) Operation as square wave output

TOMn performs a toggle operation as soon as INTTMmn has been generated, and outputs a square wave with a duty factor of 50%.

The period and frequency for outputting a square wave from TOMn can be calculated by the following expressions.

$$\bullet \text{ Period of square wave output from TOMn} = \text{Period of count clock} \times (\text{Set value of TDRmn} + 1) \times 2$$

$$\bullet \text{ Frequency of square wave output from TOMn} = \text{Frequency of count clock} / \{(\text{Set value of TDRmn} + 1) \times 2\}$$

Timer count register mn (TCRmn) operates as a down counter in the interval timer mode.

The TCRmn register loads the value of timer data register mn (TDRmn) at the first count clock after the channel start trigger bit (TSmn, TSHm1, TSHm3) of timer channel start register m (TSm) is set to 1. If the MDmn0 bit of timer mode register mn (TMRmn) is 0 at this time, INTTMmn is not output and TOMn is not toggled. If the MDmn0 bit of the TMRmn register is 1, INTTMmn is output and TOMn is toggled.

After that, the TCRmn register count down in synchronization with the count clock.

When TCRmn = 0000H, INTTMmn is output and TOMn is toggled at the next count clock. At the same time, the TCRmn register loads the value of the TDRmn register again. After that, the same operation is repeated.

The TDRmn register can be rewritten at any time. The new value of the TDRmn register becomes valid from the next period.

Remark m: Unit number (m = 0 to 2), n: Channel number (n = 0 to 7)

Figure 6-45 Block Diagram of Operation as Interval Timer/Square Wave Output

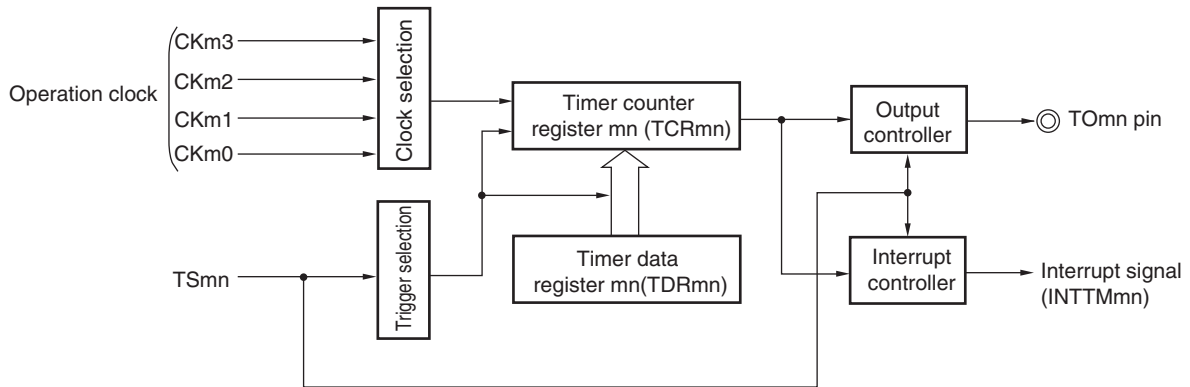
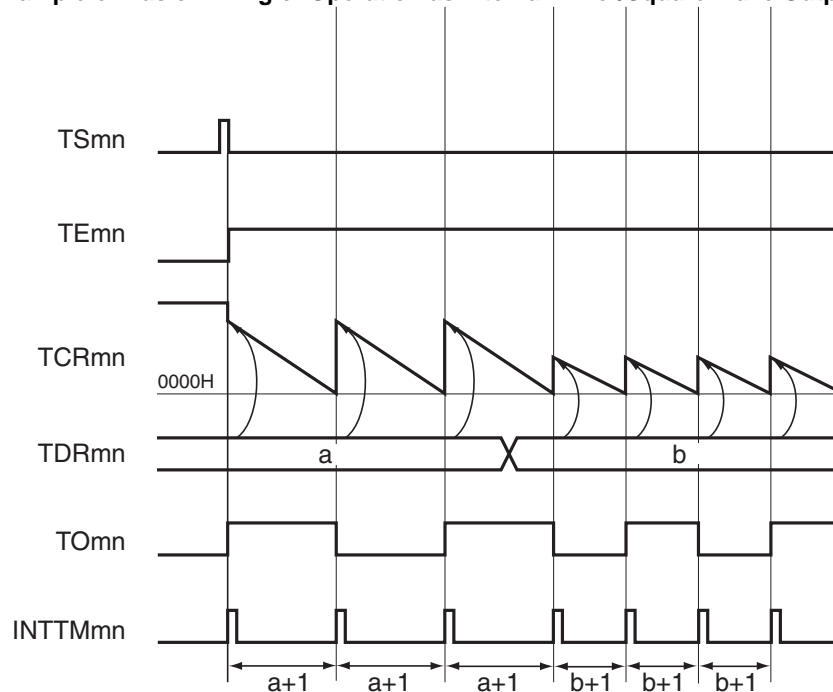
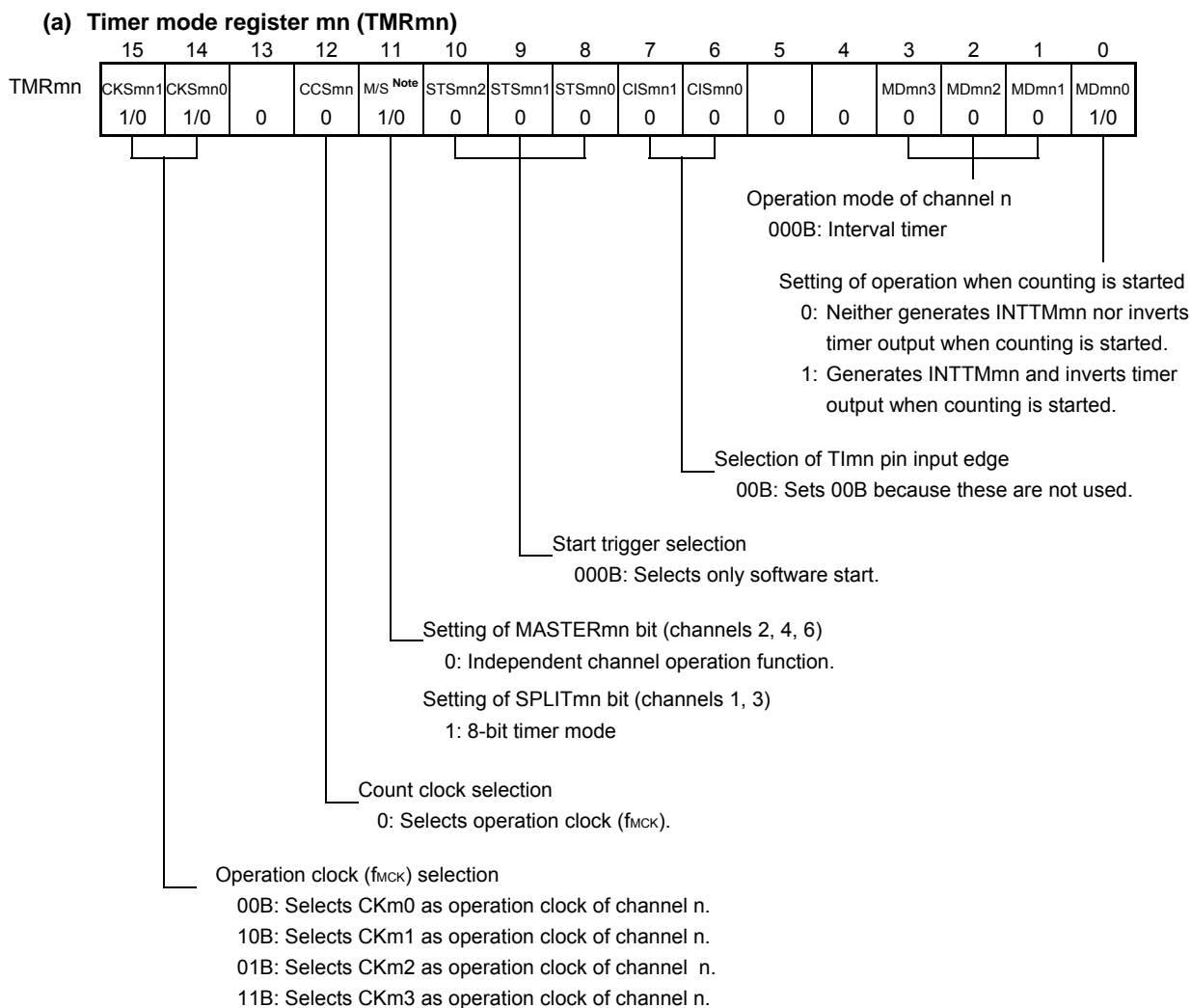


Figure 6-46 Example of Basic Timing of Operation as Interval Timer/Square Wave Output (MDmn0 = 1)

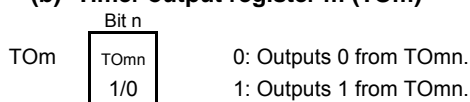


- Remarks 1.** m: Unit number (m = 0 to 2), n: Channel number (n = 0 to 7)
- 2.** TSmn: Bit n of timer channel start register m (TSM)
- TEmn: Bit n of timer channel enable status register m (TEM)
- TCRmn: Timer count register mn (TCRmn)
- TDRmn: Timer data register mn (TDRmn)
- TOMn: TOMn pin output signal

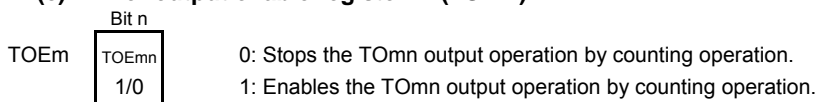
Figure 6-47 Example of Set Contents of Registers During Operation as Interval Timer/Square Wave Output



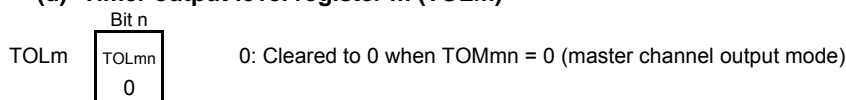
(b) Timer output register m (TOM)



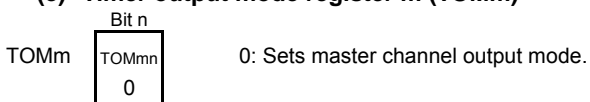
(c) Timer output enable register m (TOEm)



(d) Timer output level register m (TOLm)



(e) Timer output mode register m (TOMm)



(Note, Cautions and Remark are given on the next page.)

Note TMRm2, TMRm4, TMRm6: MASTERmn bit
TMRm1, TMRm3: SPLITmn bit
TMRm0, TMRm5, TMRm7: Fixed to 0

Cautions 1. TAU2 does not operate as 8-bit timer.

2. TMRmn, TOm, TOEm, TOLm and TOMm registers of TAU1 or TAU2 must be set after setting TSEL0 bit of unit select register (UTSEL) in 144-pin products.

Remark 144-pin products m: Unit number (m = 0 to 2), n: Channel number (n = 0 to 7)

100-pin, 80-pin, 64-pin, and 48-pin products m: Unit number (m = 0 and 1), n: Channel number (n = 0 to 7)

Figure 6-48 Operation Procedure of Interval Timer/Square Wave Output Function (1/2)

	Software Operation	Hardware Status
TAU default setting		Power-off status (Clock supply is stopped and writing to each register is disabled.)
	Sets the TAUmEN bit of peripheral enable register 0, 1 (PER0, PER1) to 1.	Power-on status. Each channel stops operating. (Clock supply is started and writing to each register is enabled.)
	When TAU1 is used, TSEL0 bit of unit select register (UTSEL) is set to 0 in 144-pin products. When TAU2 is used, TSEL0 bit is set to 1. Determines clock frequencies of CKm0 to CKm3.	
Channel default setting	Sets timer mode register mn (TMRmn) (determines operation mode of channel). Sets interval (period) value to timer data register mn (TDRmn).	Channel stops operating. (Clock is supplied and some power is consumed.)
	To use the TOMn output Clears the TOMmn bit of timer output mode register m (TOMm) to 0 (master channel output mode). Clears the TOLmn bit to 0. Sets the TOMn bit and determines default level of the TOMn output.	The TOMn pin goes into Hi-Z output state. The TOMn default setting level is output when the port mode register is in the output mode and the port register is 0.
	Sets the TOEmn bit to 1 and enables operation of TOMn. Clears the port register and port mode register to 0.	TOMn does not change because channel stops operating. The TOMn pin outputs the TOMn set level.
Operation start	(Sets the TOEmn bit to 1 only if using TOMn output and resuming operation.). Sets the TSmn (TSHm1, TSHm3) bit to 1. The TSmn (TSHm1, TSHm3) bit automatically returns to 0 because it is a trigger bit.	TEmn (TEHm1, TEHm3) = 1, and count operation starts. Value of the TDRmn register is loaded to timer count register mn (TCRmn) at the count clock input. INTTMmn is generated and TOMn performs toggle operation if the MDmn0 bit of the TMRmn register is 1.
During operation	Set values of the TMRmn register, TOMmn, and TOLmn bits cannot be changed. Set value of the TDRmn register can be changed. The TCRmn register can always be read. The TSRmn register is not used. Set values of the TOm and TOEm registers can be changed.	Counter (TCRmn) counts down. When count value reaches 0000H, the value of the TDRmn register is loaded to the TCRmn register again and the count operation is continued. By detecting TCRmn = 0000H, INTTMmn is generated and TOMn performs toggle operation. After that, the above operation is repeated.
Operation stop	The TTmn (TTHm1, TTHm3) bit is set to 1. The TTmn (TTHm1, TTHm3) bit automatically returns to 0 because it is a trigger bit.	TEmn (TEHm1, TEHm3), and count operation stops. The TCRmn register holds count value and stops. The TOMn output is not initialized but holds current status.
	The TOEmn bit is cleared to 0 and value is set to the TOMn bit.	The TOMn pin outputs the TOMn bit set level.

Operation is resumed.

(Remark is listed on the next page.)

Figure 6-48 Operation Procedure of Interval Timer/Square Wave Output Function (2/2)

	Software Operation	Hardware Status
TAU stop	To hold the TOMn pin output level Clears the TOMn bit to 0 after the value to be held is set to the port register. →	The TOMn pin output level is held by port function.
	When holding the TOMn pin output level is not necessary Setting not required. ----- The TAUmEN bit of the PER0, PER1 register is cleared to 0. →	Power-off status All circuits are initialized and SFR of each channel is also initialized. (The TOMn bit is cleared to 0 and the TOMn pin is set to port mode.)

Remark 144-pin products m: Unit number (m = 0 to 2), n: Channel number (n = 0 to 7)
100-pin, 80-pin, 64-pin, and 48-pin products m: Unit number (m = 0 and 1), n: Channel number (n = 0 to 7)

6.7.2 Operation as external event counter

The timer array unit can be used as an external event counter that counts the number of times the valid input edge (external event) is detected in the TImn pin. When a specified count value is reached, the event counter generates an interrupt. The specified number of counts can be calculated by the following expression.

$$\text{Specified number of counts} = \text{Set value of TDRmn} + 1$$

Timer count register mn (TCRmn) operates as a down counter in the event counter mode.

The TCRmn register loads the value of timer data register mn (TDRmn) by setting any channel start trigger bit (TSMn, TSHm1, TSHm3) of timer channel start register m (TSM) to 1.

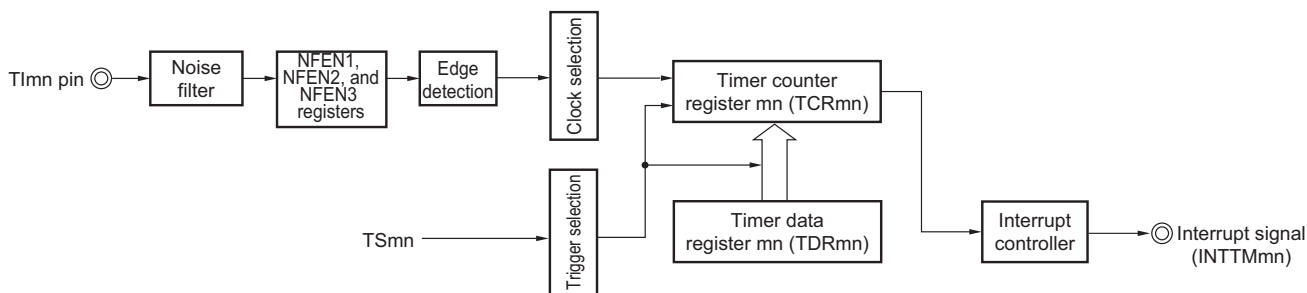
The TCRmn register counts down each time the valid input edge of the TImn pin has been detected. When TCRmn = 0000H, the TCRmn register loads the value of the TDRmn register again, and outputs INTTMmn.

After that, the above operation is repeated.

An irregular waveform that depends on external events is output from the TOmn pin. Stop the output by setting the TOEmn bit of timer output enable register m (TOEm) to 0.

The TDRmn register can be rewritten at any time. The new value of the TDRmn register becomes valid during the next count period.

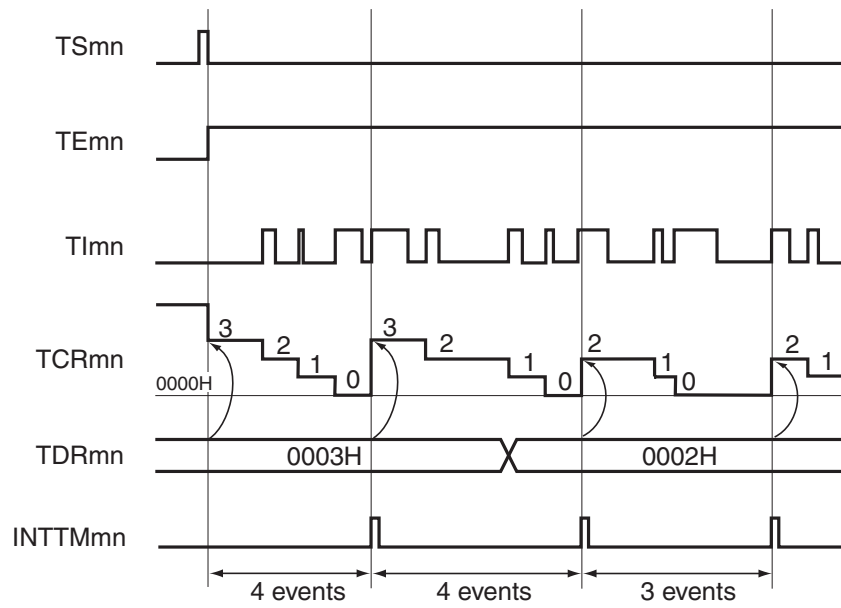
Figure 6-49 Block Diagram of Operation as External Event Counter



Remark 144-pin products m: Unit number (m = 0 to 2), n: Channel number (n = 0 to 7)
 100-pin, 80-pin, 64-pin, and 48-pin products m: Unit number (m = 0 and 1), n: Channel number (n = 0 to 7)

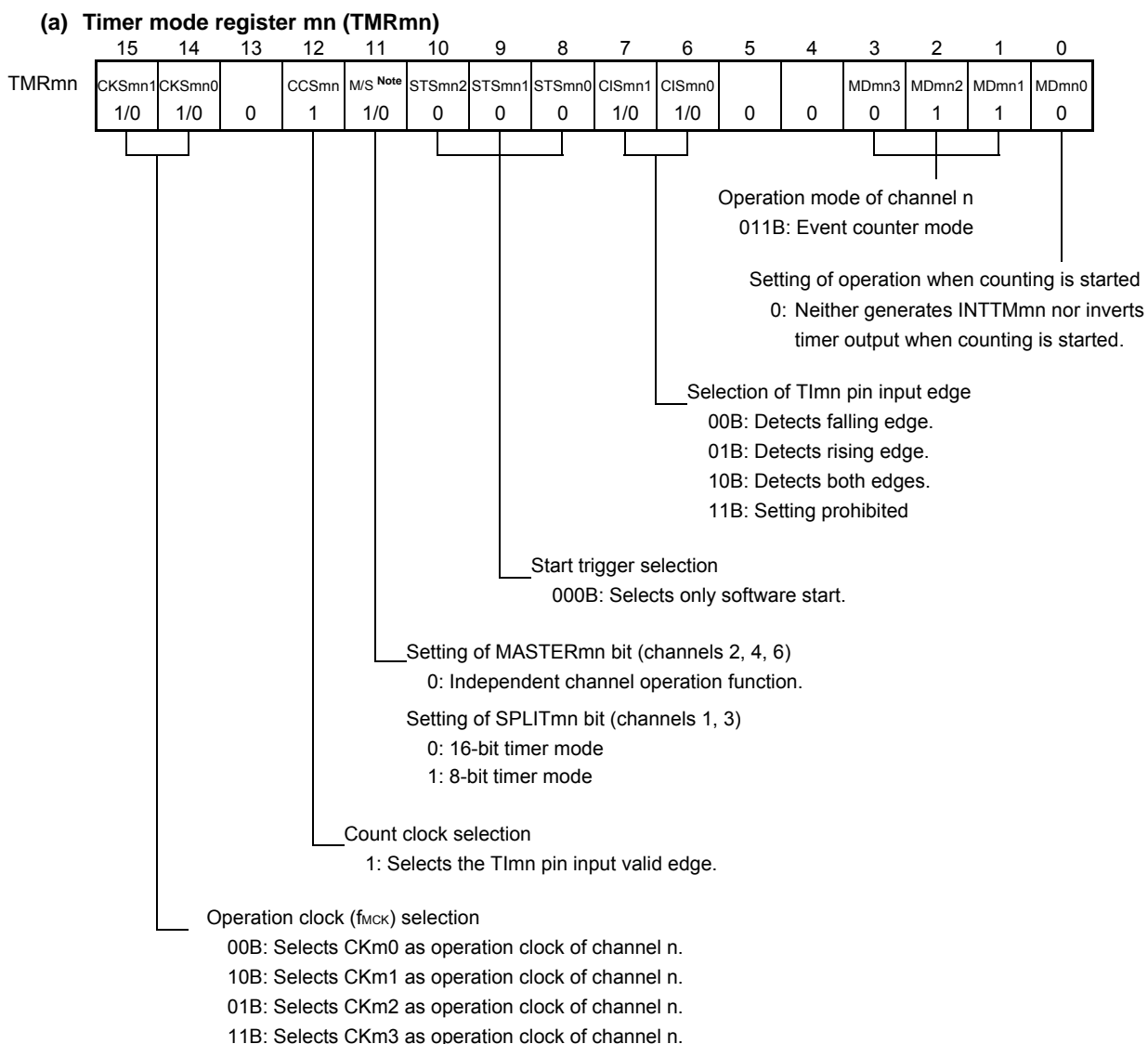
- Cautions**
1. TAU2 does not operate as 8-bit timer.
 2. **Caution** TSM, TCRm, TDRm and TOEm registers of TAU1 or TAU2 must be set after setting TSEL0 bit of unit select register (UTSEL) in 144-pin products.

Figure 6-50 Example of Basic Timing of Operation as External Event Counter

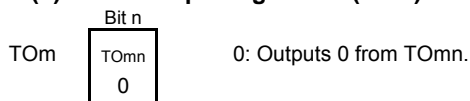


- Remarks 1.** 144-pin products m: Unit number (m = 0 to 2), n: Channel number (n = 0 to 7)
 100-pin, 80-pin, 64-pin, and 48-pin products m: Unit number (m = 0 and 1), n: Channel number (n = 0 to 7)
- 2.** TSmn: Bit n of timer channel start register m (TSM)
 TE mn: Bit n of timer channel enable status register m (TEM)
 TI mn: TI mn pin input signal
 TCRmn: Timer count register mn (TCRmn)
 TDRmn: Timer data register mn (TDRmn)

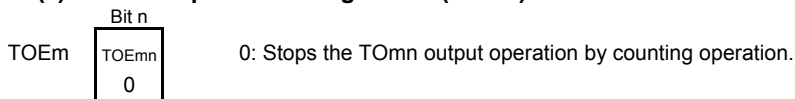
Figure 6-51 Example of Set Contents of Registers in External Event Counter Mode



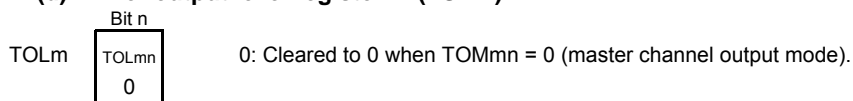
(b) Timer output register m (TOM)



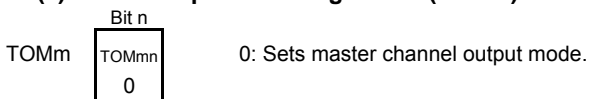
(c) Timer output enable register m (TOEm)



(d) Timer output level register m (TOLm)



(e) Timer output mode register m (TOMm)



(Note, Remark and Cautions are given on the next page.)

Note TMRm2, TMRm4, TMRm6: MASTERmn bit
TMRm1, TMRm3: SPLITmn bit
TMRm0, TMRm5, TMRm7: Fixed to 0

Remark 144-pin products m: Unit number (m = 0 to 2), n: Channel number (n = 0 to 7)
100-pin, 80-pin, 64-pin, and 48-pin products m: Unit number (m = 0 and 1), n: Channel number (n = 0 to 7)

Cautions 1. **TAU2 does not operate as 8-bit timer.**
2. **Caution** TMRmn, T0m, T0Em, T0Lm and T0Mm registers of TAU1 or TAU2 must be set after setting TSEL0 bit of unit select register (UTSEL) in 144-pin products.

Figure 6-52 Operation Procedure When External Event Counter Function Is Used

	Software Operation	Hardware Status
TAU default setting		Power-off status (Clock supply is stopped and writing to each register is disabled.)
	Sets the TAUmEN bit of peripheral enable register 0 (PER0, PER1) to 1.	Power-on status. Each channel stops operating. (Clock supply is started and writing to each register is enabled.)
	When TAU1 is used, TSEL0 bit of unit select register (UTSEL) is set to 0 in 144-pin products. When TAU2 is used, TSEL0 bit is set to 1. Determines clock frequencies of CKm0 to CKm3.	
Channel default setting	Sets timer mode register mn (TMRmn) (determines operation mode of channel). Sets number of counts to timer data register mn (TDRmn). Clears the TOEmn bit of timer output enable register m (TOEm) to 0.	Channel stops operating. (Clock is supplied and some power is consumed.)
Operation start	Sets the TSMn bit to 1. The TSMn bit automatically returns to 0 because it is a trigger bit.	TEmn = 1, and count operation starts. Value of the TDRmn register is loaded to timer count register mn (TCRmn) and detection of the TImn pin input edge is awaited.
During operation	Set value of the TDRmn register can be changed. Sets corresponding bit of noise filter enable registers 1, 2 and 3 (NFEN1, NFEN2 and NFEN3) to 1. The TCRmn register can always be read. The TSRmn register is not used. Set values of the TMRmn register, TOMmn, TOLmn, TOMn, and TOEmn bits cannot be changed.	Counter (TCRmn) counts down each time input edge of the TImn pin has been detected. When count value reaches 0000H, the value of the TDRmn register is loaded to the TCRmn register again, and the count operation is continued. By detecting TCRmn = 0000H, the INTTMmn output is generated. After that, the above operation is repeated.
Operation stop	The TTmn bit is set to 1. The TTmn bit automatically returns to 0 because it is a trigger bit.	TEmn = 0, and count operation stops. The TCRmn register holds count value and stops.
TAU stop	The TAUmEN bit of the PER0, PER1 register is cleared to 0.	Power-off status All circuits are initialized and SFR of each channel is also initialized.

Operation is resumed.

Remark 144-pin products m: Unit number (m = 0 to 2), n: Channel number (n = 0 to 7)
100-pin, 80-pin, 64-pin, and 48-pin products m: Unit number (m = 0 and 1), n: Channel number (n = 0 to 7)

6.7.3 Operation as frequency divider

The timer array unit can be used as a frequency divider that divides a clock input to the TImn pin and outputs the result from the TOmn pin.

Set the TImn and TOmn pins so that they are different from each other by the peripheral I/O redirection registers 0, 1, 2, 3, 10, and 11 (PIOR0, PIOR1, PIOPR2, PIOR3, PIOR10, and PIOR11).

The divided clock frequency output from TOmn can be calculated by the following expression.

- When rising edge/falling edge is selected:

$$\text{Divided clock frequency} = \text{Input clock frequency} / \{(\text{Set value of TDR00} + 1) \times 2\}$$
- When both edges are selected:

$$\text{Divided clock frequency} \cong \text{Input clock frequency} / (\text{Set value of TDR00} + 1)$$

Timer count register m (TCRm) operates as a down counter in the interval timer mode.

After the channel start trigger bit (TS00) of timer channel start register 0 (TS0) is set to 1, the TCR00 register loads the value of timer data register 00 (TDR00) when the TI00 valid edge is detected.

If the MNmn0 bit of timer mode register 00 (TMR00) is 0 at this time, INTTM00 is not output and TO00 is not toggled. If the MNmn0 bit of timer mode register 00 (TMR00) is 1, INTTM00 is output and TO00 is toggled.

After that, the TCR00 register counts down at the valid edge of the TI00 pin. When TCR00 = 0000H, it toggles TO00. At the same time, the TCR00 register loads the value of the TDR00 register again, and continues counting.

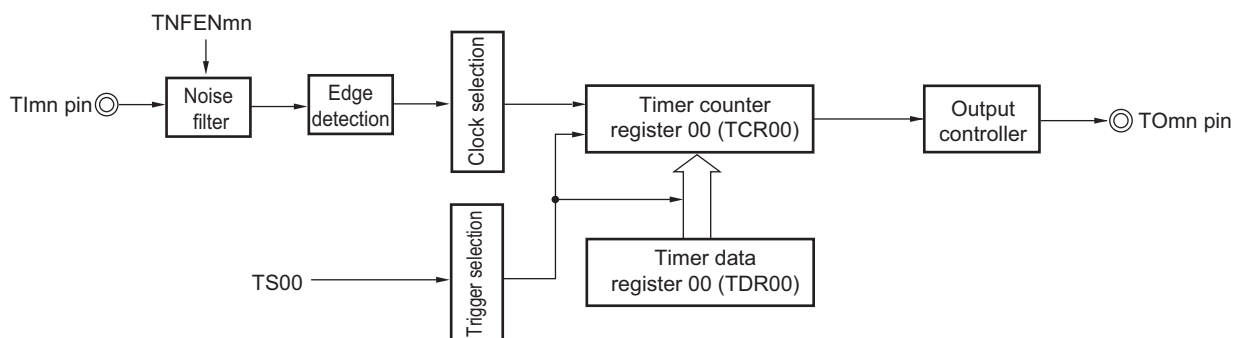
If detection of both the edges of the TI00 pin is selected, the duty factor error of the input clock affects the divided clock period of the TO00 output.

The period of the TO00 output clock includes a sampling error of one period of the operation clock.

$$\text{Clock period of TO00 output} = \text{Ideal TO00 output clock period} \pm \text{Operation clock period (error)}$$

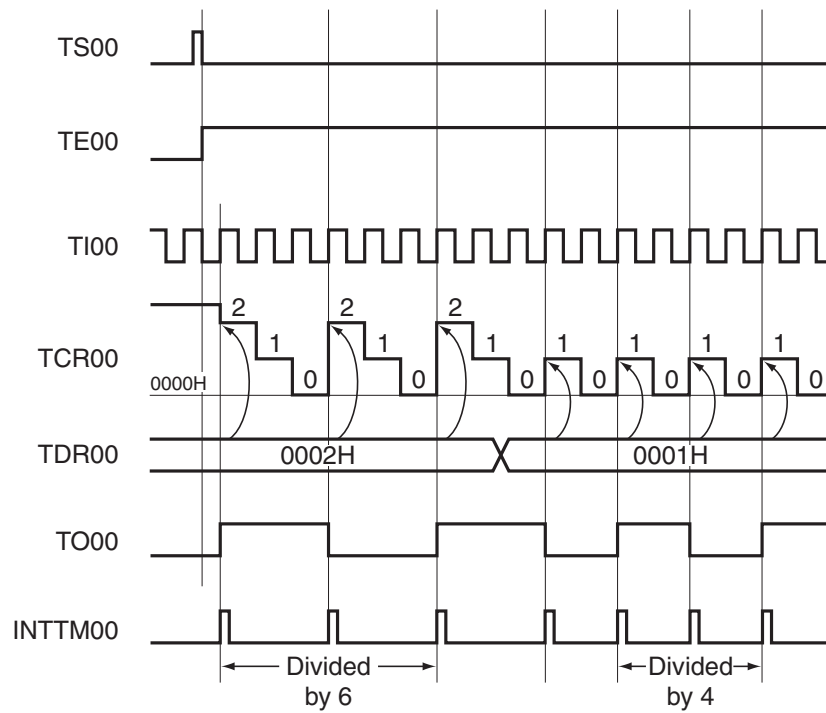
The TDR00 register can be rewritten at any time. The new value of the TDR00 register becomes valid during the next count period.

Figure 6-53 Block Diagram of Operation as Frequency Divider



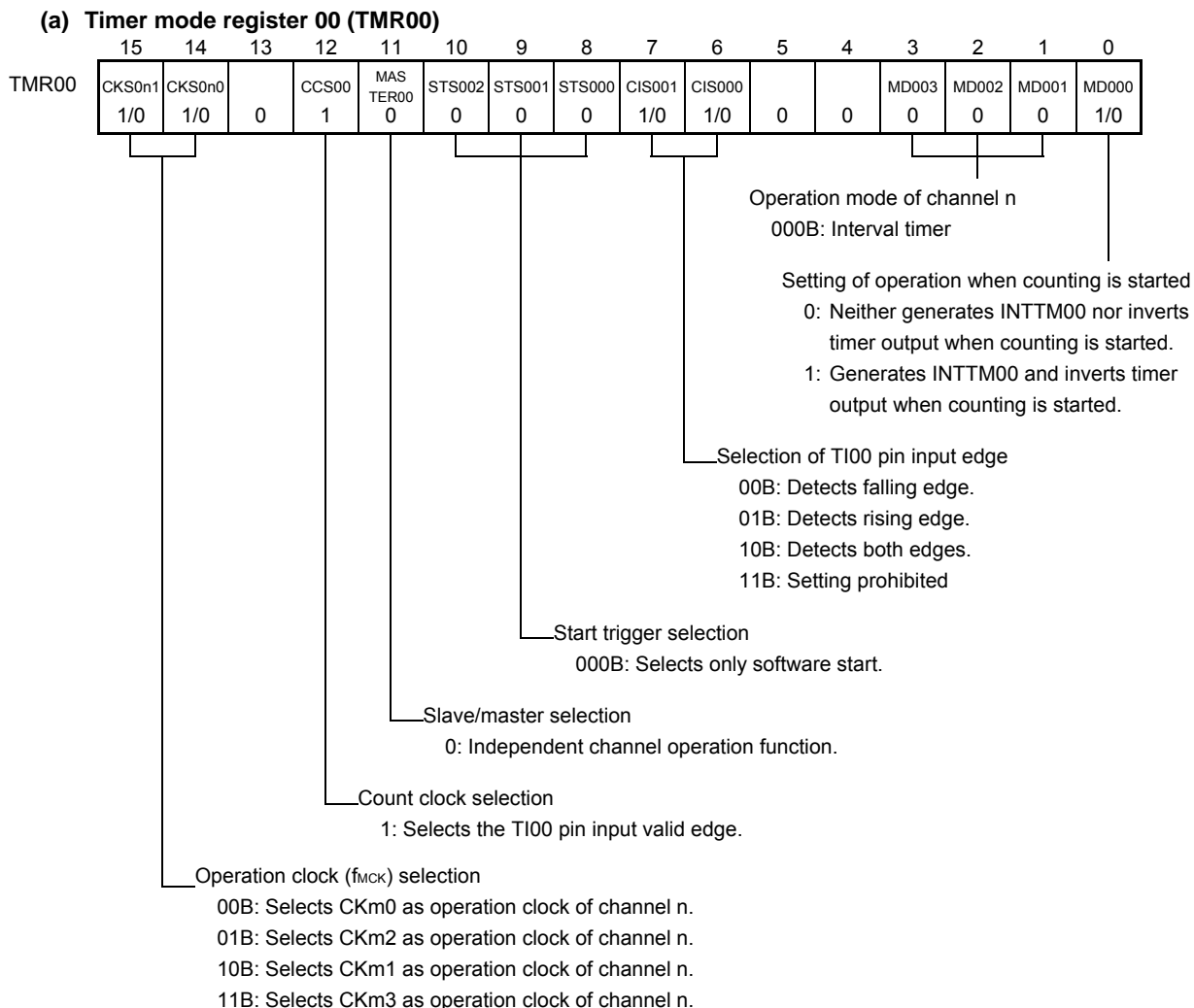
Caution TMRmn, TCRmn, TOm and TOSm registers of TAU1 or TAU2 must be set after setting TSEL0 bit of unit select register (UTSEL) in 144-pin products.

Figure 6-54 Example of Basic Timing of Operation as Frequency Divider (MDmn0 = 1)



- Remark**
- TS00: Bit n of timer channel start register m (TSm)
 - TE00: Bit n of timer channel enable status register m (TEm)
 - TI00: TI00 pin input signal
 - TCR00: Timer count register 00 (TCR00)
 - TDR00: Timer data register 00 (TDR00)
 - TO00: TO00 pin output signal
 - MDmn0: Bit 0 of timer mode register (TRMmn)
 - INTTMmn: Interrupt request of count completion or capture completion of channel n in TAUm

Figure 6-55 Example of Set Contents of Registers During Operation as Frequency Divider



(b) Timer output register m (TOM)

TOM	<div style="text-align: center; font-size: 8px;">Bit n</div> <div style="border: 1px solid black; padding: 2px; display: inline-block;">TO00</div>	0: Outputs 0 from TO00.
	<div style="text-align: center; font-size: 8px;">Bit n</div> <div style="border: 1px solid black; padding: 2px; display: inline-block;">1/0</div>	1: Outputs 1 from TO00.

(c) Timer output enable register m (TOEm)

TOEm	<div style="text-align: center; font-size: 8px;">Bit n</div> <div style="border: 1px solid black; padding: 2px; display: inline-block;">TOE00</div>	0: Stops the TO00 output operation by counting operation.
	<div style="text-align: center; font-size: 8px;">Bit n</div> <div style="border: 1px solid black; padding: 2px; display: inline-block;">1/0</div>	1: Enables the TO00 output operation by counting operation.

(d) Timer output level register m (TOLm)

TOLm	<div style="text-align: center; font-size: 8px;">Bit n</div> <div style="border: 1px solid black; padding: 2px; display: inline-block;">TOL00</div>	0: Cleared to 0 when TOM00 = 0 (master channel output mode)
	<div style="text-align: center; font-size: 8px;">Bit n</div> <div style="border: 1px solid black; padding: 2px; display: inline-block;">0</div>	

(e) Timer output mode register m (TOMm)

TOMm	<div style="text-align: center; font-size: 8px;">Bit n</div> <div style="border: 1px solid black; padding: 2px; display: inline-block;">TOM00</div>	0: Sets master channel output mode.
	<div style="text-align: center; font-size: 8px;">Bit n</div> <div style="border: 1px solid black; padding: 2px; display: inline-block;">0</div>	

(Caution and Remark are given on the next page.)

Caution TMR_mn, T_Om, T_OE_m, T_OL_m and T_OM_m registers of TAU1 or TAU2 must be set after setting TSEL0 bit of unit select register (UTSEL) in 144-pin products.

Remark 144-pin products m: Unit number (m = 0 to 2), n: Channel number (n = 0 to 7)

100-pin, 80-pin, 64-pin, and 48-pin products m: Unit number (m = 0 and 1), n: Channel number (n = 0 to 7)

Figure 6-56 Operation Procedure When Frequency Divider Function Is Used

	Software Operation	Hardware Status
TAU default setting		Power-off status (Clock supply is stopped and writing to each register is disabled.)
	Sets the TAUmEN bit of peripheral enable register 0 (PER0, PER1) to 1.	Power-on status. Each channel stops operating. (Clock supply is started and writing to each register is enabled.)
	When TAU1 is used, TSEL0 bit of unit select register (UTSEL) is set to 0 in 144-pin products. When TAU2 is used, TSEL0 bit is set to 1. Determines clock frequencies of CKm0 to CKm3.	
Channel default setting	Sets timer mode register 0n (TMR0n) (determines operation mode of channel and selects the detection edge). Sets interval (period) value to timer data register 00 (TDR00).	Channel stops operating. (Clock is supplied and some power is consumed.)
	Clears the TOM00 bit of timer output mode register m (TOMm) to 0 (master channel output mode). Clears the TOL00 bit to 0. Sets the TO00 bit and determines default level of the TO00 output.	The TO00 pin goes into Hi-Z output state. The TO00 default setting level is output when the port mode register is in output mode and the port register is 0.
	Sets the TOE00 bit to 1 and enables operation of TO00. Clears the port register and port mode register to 0.	TO00 does not change because channel stops operating. The TO00 pin outputs the TO00 set level.
Operation start	Sets the TOE00 bit to 1 (only when operation is resumed). Sets the TS00 bit to 1. The TS00 bit automatically returns to 0 because it is a trigger bit.	TE00 = 1, and count operation starts. Value of the TDR00 register is loaded to timer count register 00 (TCR00) at the count clock input. INTTM00 is generated and TO00 performs toggle operation if the MD000 bit of the TMR00 register is 1.
During operation	Set value of the TDR00 register can be changed. Sets corresponding bit of noise filter enable registers 1, 2 and 3 (NFEN1, NFEN2 and NFEN3) to 1. The TCR00 register can always be read. The TSR00 register is not used. Set values of the TOM and TOEm registers can be changed. Set values of the TMR00 register, TOM00, and TOL00 bits cannot be changed.	Counter (TCR00) counts down. When count value reaches 0000H, the value of the TDR00 register is loaded to the TCR00 register again, and the count operation is continued. By detecting TCR00 = 0000H, INTTM00 is generated and TO00 performs toggle operation. After that, the above operation is repeated.
Operation stop	The TT00 bit is set to 1. The TT00 bit automatically returns to 0 because it is a trigger bit.	TE00 = 0, and count operation stops. The TCR00 register holds count value and stops. The TO00 output is not initialized but holds current status.
	The TOE00 bit is cleared to 0 and value is set to the TO00 bit.	The TO00 pin outputs the TO00 set level.
TAU stop	To hold the TO00 pin output level Clears the TO00 bit to 0 after the value to be held is set to the port register. When holding the TO00 pin output level is not necessary Setting not required.	The TO00 pin output level is held by port function.
	The TAUmEN bit of the PER0, PER1 register is cleared to 0.	Power-off status All circuits are initialized and SFR of each channel is also initialized. (The TO00 bit is cleared to 0 and the TO00 pin is set to port mode).

Operation is resumed.

Remark 144-pin products m: Unit number (m = 0 to 2), n: Channel number (n = 0 to 7)
100-pin, 80-pin, 64-pin, and 48-pin products m: Unit number (m = 0 and 1), n: Channel number (n = 0 to 7)

6.7.4 Operation as input pulse interval measurement

The count value can be captured at the TImn valid edge and the interval of the pulse input to TImn can be measured. The pulse interval can be calculated by the following expression.

$$\text{TImn input pulse interval} = \text{Period of count clock} \times ((10000\text{H} \times \text{TSRmn: OVF}) + (\text{Capture value of TDRmn} + 1))$$

Caution The TImn pin input is sampled using the operating clock selected with the CKSmn bit of timer mode register mn (TMRmn), so an error of up to one operating clock cycle occurs.

Timer count register mn (TCRmn) operates as an up counter in the capture mode.

When the channel start trigger bit (TSmn) of timer channel start register m (TSm) is set to 1, the TCRmn register counts up from 0000H in synchronization with the count clock.

When the TImn pin input valid edge is detected, the count value of the TCRmn register is transferred (captured) to timer data register mn (TDRmn) and, at the same time, the TCRmn register is cleared to 0000H, and the INTTMmn is output. If the counter overflows at this time, the OVF bit of timer status register mn (TSRmn) is set to 1. If the counter does not overflow, the OVF bit is cleared. After that, the above operation is repeated.

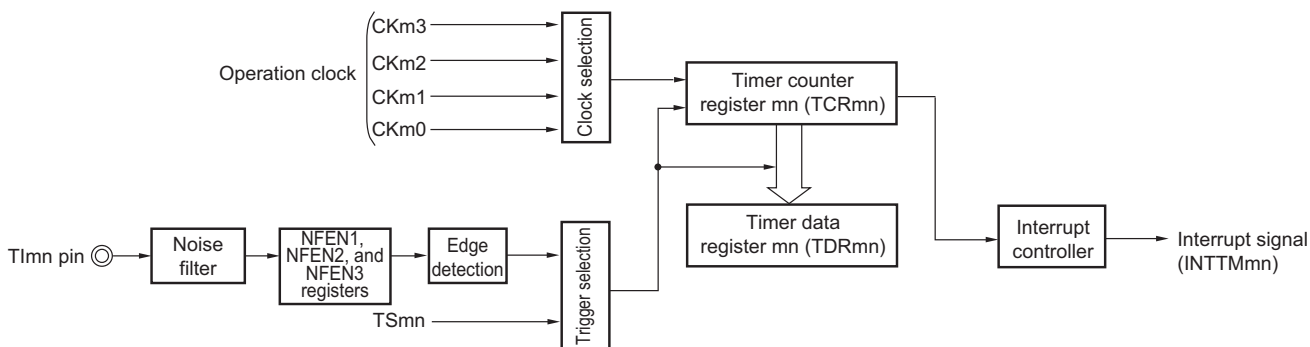
As soon as the count value has been captured to the TDRmn register, the OVF bit of the TSRmn register is updated depending on whether the counter overflows during the measurement period. Therefore, the overflow status of the captured value can be checked.

If the counter reaches a full count for two or more periods, it is judged to be an overflow occurrence, and the OVF bit of the TSRmn register is set to 1. However, a normal interval value cannot be measured for the OVF bit, if two or more overflows occur.

Set the STSmn2 to STSmn0 bits of the TMRmn register to 001B to use the valid edges of TImn as a start trigger and a capture trigger.

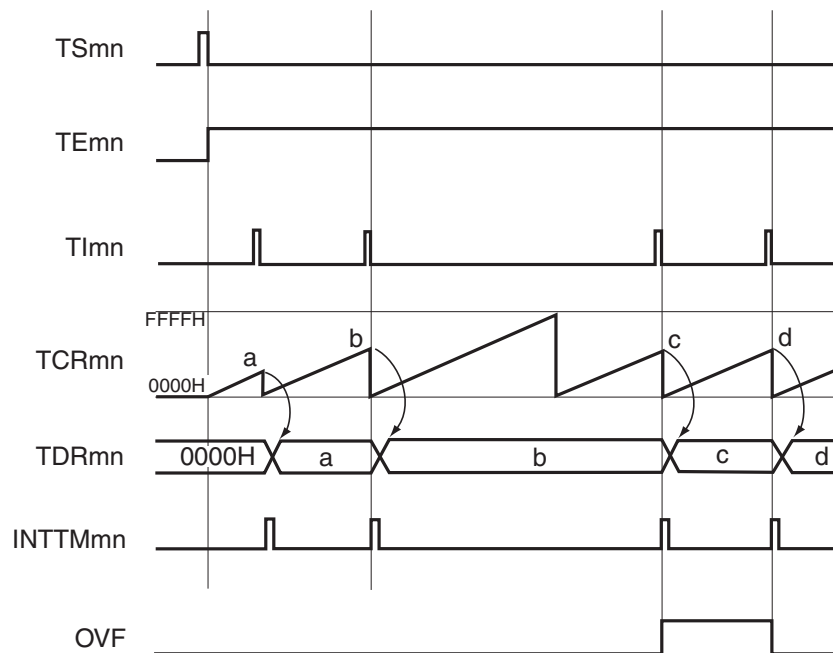
When TEMn = 1, a software operation (TSmn = 1) can be used as a capture trigger, instead of using the TImn pin input.

Figure 6-57 Block Diagram of Operation as Input Pulse Interval Measurement



Remark 144-pin products m: Unit number (m = 0 to 2), n: Channel number (n = 0 to 7)
 100-pin, 80-pin, 64-pin, and 48-pin products m: Unit number (m = 0 and 1), n: Channel number (n = 0 to 7)

Figure 6-58 Example of Basic Timing of Operation as Input Pulse Interval Measurement (MDmn0 = 0)



- Remarks**
- 144-pin products m: Unit number (m = 0 to 2), n: Channel number (n = 0 to 7)
100-pin, 80-pin, 64-pin, and 48-pin products m: Unit number (m = 0 and 1), n: Channel number (n = 0 to 7)
 2. TSmn: Bit n of timer channel start register m (TSm)

TEmn: Bit n of timer channel enable status register m (TEm)

TImn: TImn pin input signal

TCRmn: Timer count register mn (TCRmn)

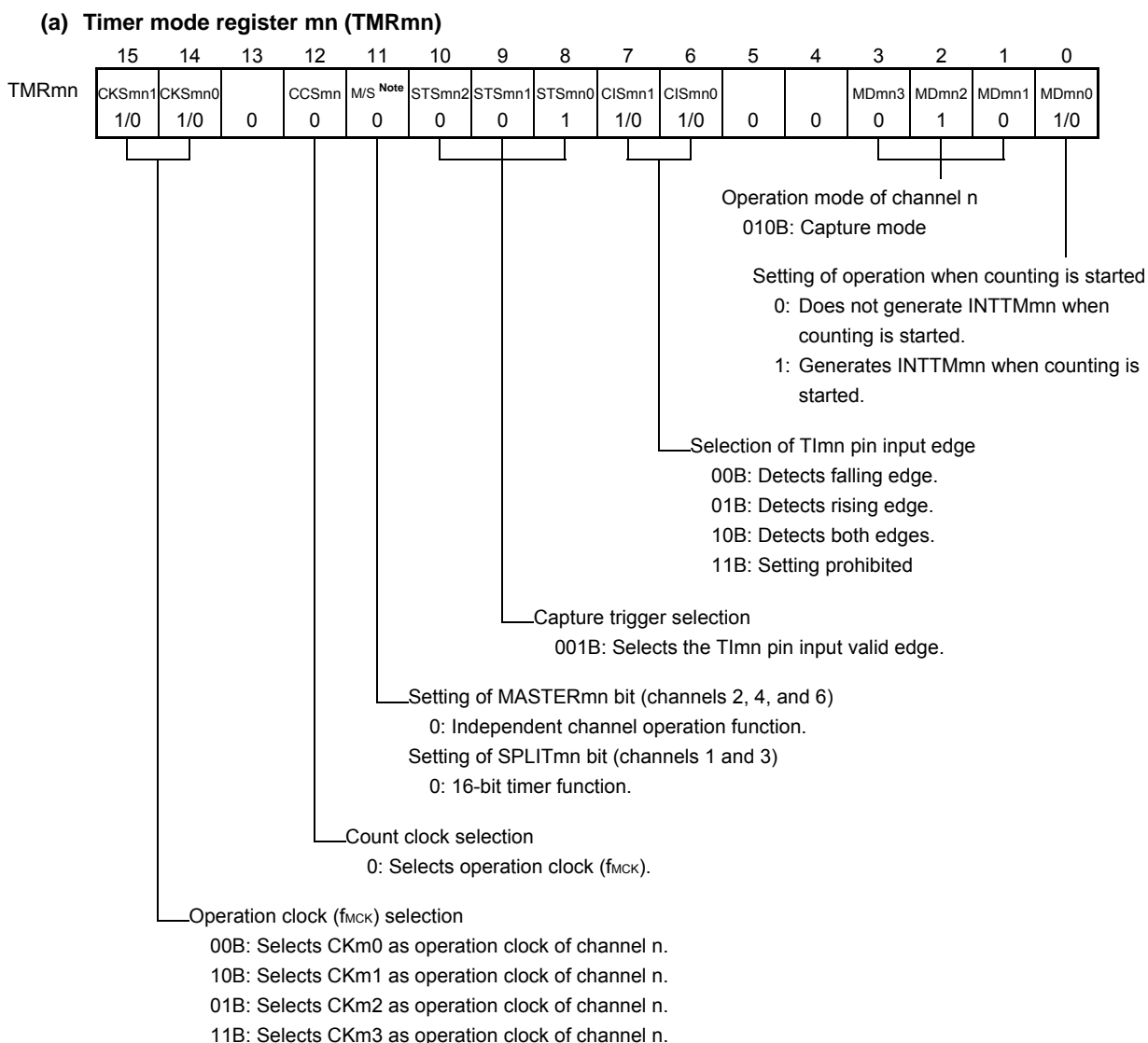
TDRmn: Timer data register mn (TDRmn)

OVF: Bit 0 of timer status register mn (TSRmn)

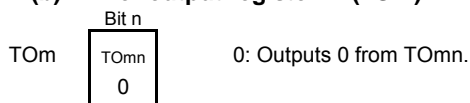
MDmn0: Bit 0 of timer mode register (TRMmn)

INTTMmn: Interrupt request of count completion or capture completion of channel n in TAUm

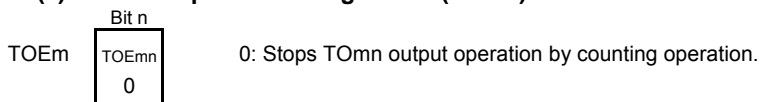
Figure 6-59 Example of Set Contents of Registers to Measure Input Pulse Interval



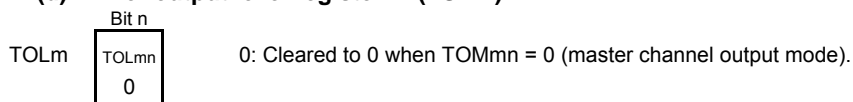
(b) Timer output register m (TOM)



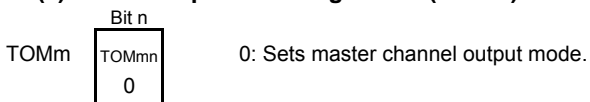
(c) Timer output enable register m (TOEm)



(d) Timer output level register m (TOLm)



(e) Timer output mode register m (TOMm)



(Note and Remark are listed on the next page.)

Note TMRm2, TMRm4, TMRm6: MASTERmn bit
TMRm1, TMRm3: SPLITmn bit
TMRm0, TMRm5, TMRm7: Fixed to 0

Remark 144-pin products m: Unit number (m = 0 to 2), n: Channel number (n = 0 to 7)
100-pin, 80-pin, 64-pin, and 48-pin products m: Unit number (m = 0 and 1), n: Channel number (n = 0 to 7)

Figure 6-60 Operation Procedure When Input Pulse Interval Measurement Function Is Used

	Software Operation	Hardware Status
TAU default setting		Power-off status (Clock supply is stopped and writing to each register is disabled.)
	Sets the TAUmEN bit of peripheral enable register 0 (PER0, PER1) to 1.	Power-on status. Each channel stops operating. (Clock supply is started and writing to each register is enabled.)
	When TAU1 is used, TSEL0 bit of unit select register (UTSEL) is set to 0 in 144-pin products. When TAU2 is used, TSEL0 bit is set to 1. Determines clock frequencies of CKm0 to CKm3.	
Channel default setting	Sets timer mode register mn (TMRmn) (determines operation mode of channel).	Channel stops operating. (Clock is supplied and some power is consumed.)
Operation start	Sets TSmn bit to 1. The TSmn bit automatically returns to 0 because it is a trigger bit.	TEmn = 1, and count operation starts. Timer count register mn (TCRmn) is cleared to 0000H at the count clock input. When the MDmn0 bit of the TMRmn register is 1, INTTMmn is generated.
During operation	Set values of only the CISmn1 and CISmn0 bits of the TMRmn register can be changed. Sets corresponding bit of noise filter enable registers 1, 2 and 3 (NFEN1, NFEN2 and NFEN3) to 1. The TDRmn register can always be read. The TCRmn register can always be read. The TSRmn register can always be read. Set values of the TOMmn, TOLmn, TOMn, and TOEmn bits cannot be changed.	Counter (TCRmn) counts up from 0000H. When the Timn pin input valid edge is detected, the count value is transferred (captured) to timer data register mn (TDRmn). At the same time, the TCRmn register is cleared to 0000H, and the INTTMmn signal is generated. If an overflow occurs at this time, the OVF bit of timer status register mn (TSRmn) is set; if an overflow does not occur, the OVF bit is cleared. After that, the above operation is repeated.
Operation stop	The TTmn bit is set to 1. The TTmn bit automatically returns to 0 because it is a trigger bit.	TEmn = 0, and count operation stops. The TCRmn register holds count value and stops. The OVF bit of the TSRmn register is also held.
TAU stop	The TAUmEN bit of the PER0, PER1 register is cleared to 0.	Power-off status All circuits are initialized and SFR of each channel is also initialized.

Operation is resumed.

Remark 144-pin products m: Unit number (m = 0 to 2), n: Channel number (n = 0 to 7)
100-pin, 80-pin, 64-pin, and 48-pin products m: Unit number (m = 0 and 1), n: Channel number (n = 0 to 7)

6.7.5 Operation as input signal high-/low-level width measurement

Caution When using a channel to implement the LIN-bus, set bit 7 (TIS17) to 1 and bit 6 (TIS16) to 0 of the timer input select register 1 (TIS1). In the following descriptions, read TImn as RXD0.

By starting counting at one edge of the TImn pin input and capturing the number of counts at another edge, the signal width (high-level width/low-level width) of TImn can be measured. The signal width of TImn can be calculated by the following expression.

$$\text{Signal width of TImn input} = \text{Period of count clock} \times ((10000\text{H} \times \text{TSRmn: OVF}) + (\text{Capture value of TDRmn} + 1))$$

Caution The TImn pin input is sampled using the operating clock selected with the CKSmn bit of timer mode register mn (TMRmn), so an error equivalent to one operation clock occurs.

Timer count register mn (TCRmn) operates as an up counter in the capture & one-count mode.

When the channel start trigger bit (TSmn) of timer channel start register m (TSm) is set to 1, the TEmn bit is set to 1 and the TImn pin start edge detection wait status is set.

When the TImn pin input start edge (rising edge of the TImn pin input when the high-level width is to be measured) is detected, the counter counts up from 0000H in synchronization with the count clock. When the valid capture edge (falling edge of the TImn pin input when the high-level width is to be measured) is detected later, the count value is transferred to timer data register mn (TDRmn) and, at the same time, INTTMmn is output. If the counter overflows at this time, the OVF bit of timer status register mn (TSRmn) is set to 1. If the counter does not overflow, the OVF bit is cleared. The TCRmn register stops at the value "value transferred to the TDRmn register + 1", and the TImn pin start edge detection wait status is set. After that, the above operation is repeated.

As soon as the count value has been captured to the TDRmn register, the OVF bit of the TSRmn register is updated depending on whether the counter overflows during the measurement period. Therefore, the overflow status of the captured value can be checked.

If the counter reaches a full count for two or more periods, it is judged to be an overflow occurrence, and the OVF bit of the TSRmn register is set to 1. However, a normal interval value cannot be measured for the OVF bit, if two or more overflows occur.

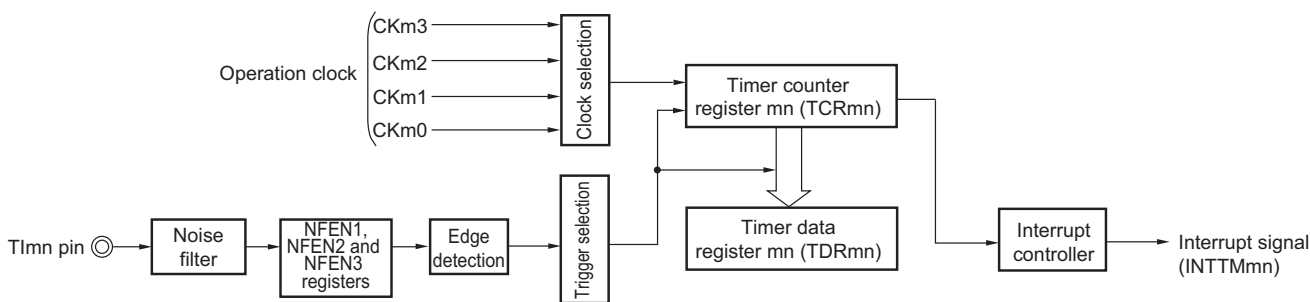
Whether the high-level width or low-level width of the TImn pin is to be measured can be selected by using the CISmn1 and CISmn0 bits of the TMRmn register.

Because this function is used to measure the signal width of the TImn pin input, the TSmn bit cannot be set to 1 while the TEmn bit is 1.

CISmn1, CISmn0 of TMRmn register = 10B: Low-level width is measured.

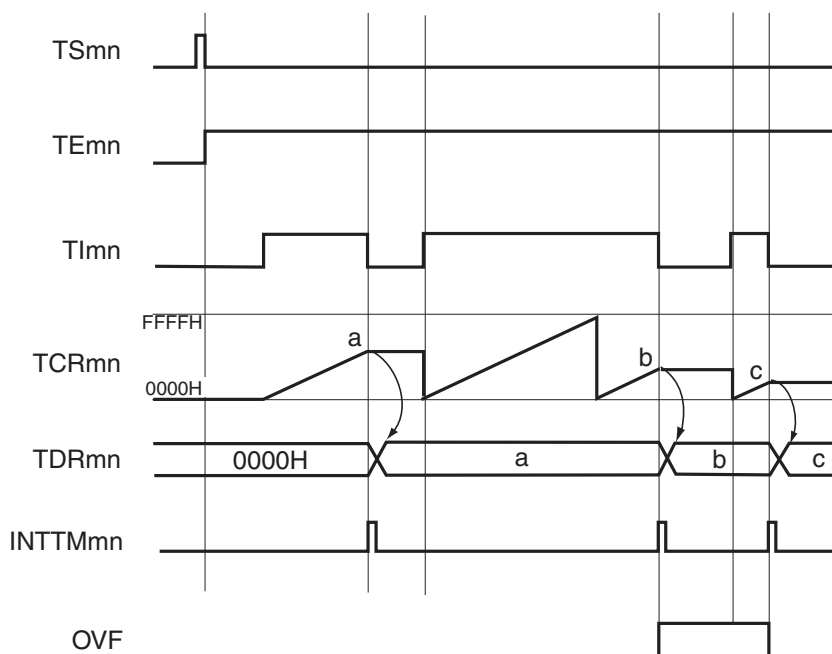
CISmn1, CISmn0 of TMRmn register = 11B: High-level width is measured.

Figure 6-61 Block Diagram of Operation as Input Signal High-/Low-Level Width Measurement



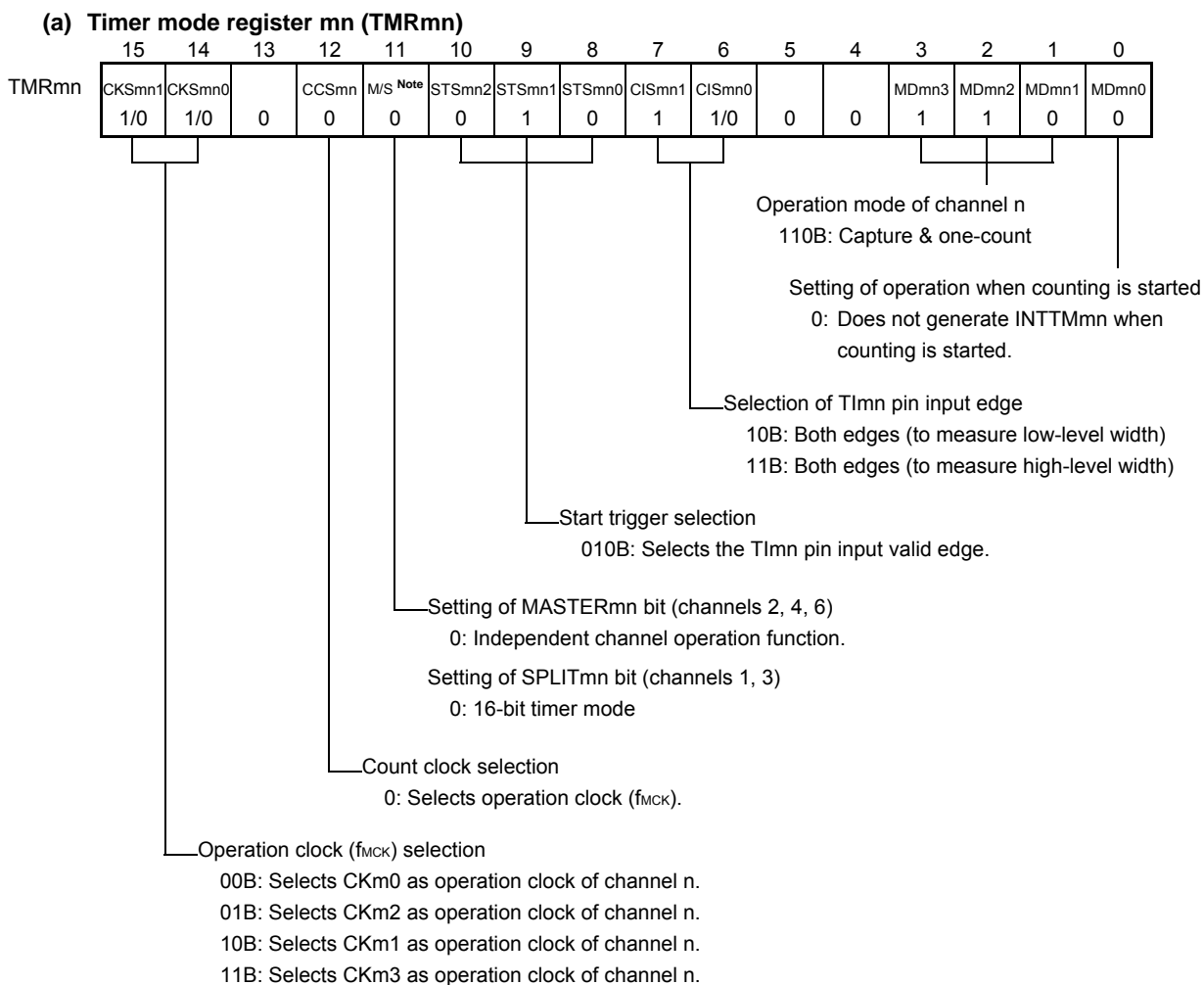
Remark m: Unit number (m = 0 to 2), n: Channel number (n = 0 to 7)

Figure 6-62 Example of Basic Timing of Operation as Input Signal High-/Low-Level Width Measurement

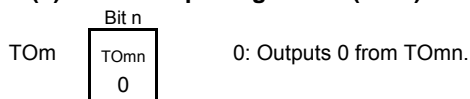


- Remarks**
1. 144-pin products m: Unit number (m = 0 to 2), n: Channel number (n = 0 to 7)
 100-pin, 80-pin, 64-pin, and 48-pin products m: Unit number (m = 0 and 1), n: Channel number (n = 0 to 7)
 2. TSmn: Bit n of timer channel start register m (TSm)
 - TE mn: Bit n of timer channel enable status register m (TE m)
 - TImn: TImn pin input signal
 - TCRmn: Timer count register mn (TCRmn)
 - TDRmn: Timer data register mn (TDRmn)
 - OVF: Bit 0 of timer status register mn (TSRmn)

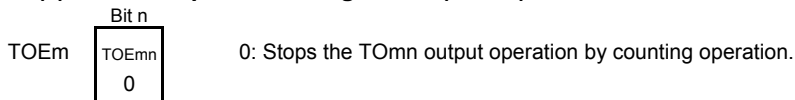
Figure 6-63 Example of Set Contents of Registers to Measure Input Signal High-/Low-Level Width



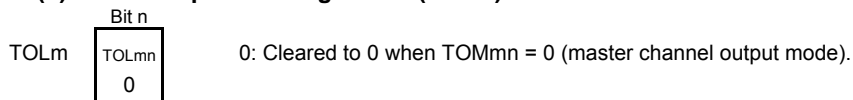
(b) Timer output register m (TOM)



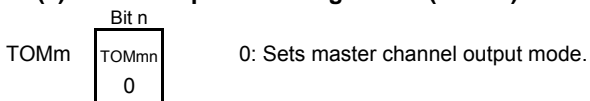
(c) Timer output enable register m (TOEm)



(d) Timer output level register m (TOLm)



(e) Timer output mode register m (TOMm)



Note TMRm2, TMRm4, TMRm6: MASTERmn bit
 TMRm1, TMRm3: SPLITmn bit
 TMRm0, TMRm5, TMRm7: Fixed to 0

Remark 144-pin products m: Unit number (m = 0 to 2), n: Channel number (n = 0 to 7)
100-pin, 80-pin, 64-pin, and 48-pin products m: Unit number (m = 0 and 1), n: Channel number (n = 0 to 7)

Figure 6-64 Operation Procedure When Input Signal High-/Low-Level Width Measurement Function Is Used

	Software Operation	Hardware Status
TAU default setting		Power-off status (Clock supply is stopped and writing to each register is disabled.)
	Sets the TAUmEN bit of peripheral enable register 0 (PER0, PER1) to 1.	Power-on status. Each channel stops operating. (Clock supply is started and writing to each register is enabled.)
	When TAU1 is used, TSEL0 bit of unit select register (UTSEL) is set to 0 in 144-pin products. When TAU2 is used, TSEL0 bit is set to 1. Determines clock frequencies of CKm0 to CKm3.	
Channel default setting	Sets timer mode register mn (TMRmn) (determines operation mode of channel). Clears the TOEmn bit to 0 and stops operation of TOmn.	Channel stops operating. (Clock is supplied and some power is consumed.)
Operation start	Sets the TSmn bit to 1. The TSmn bit automatically returns to 0 because it is a trigger bit.	TEmn = 1, and the TImn pin start edge detection wait status is set.
	Detects the TImn pin input count start valid edge.	Clears timer count register mn (TCRmn) to 0000H and starts counting up.
During operation	Set value of the TDRmn register can be changed. Sets corresponding bit of noise filter enable registers 1, 2 and 3 (NFEN1, NFEN2 and NFEN3) to 1. The TCRmn register can always be read. The TSRmn register is not used. Set values of the TMRmn register, TOMmn, TOLmn, TOmn, and TOEmn bits cannot be changed.	When the TImn pin start edge is detected, the counter (TCRmn) counts up from 0000H. If a capture edge of the TImn pin is detected, the count value is transferred to timer data register mn (TDRmn) and INTTMmn is generated. If an overflow occurs at this time, the OVF bit of timer status register mn (TSRmn) is set; if an overflow does not occur, the OVF bit is cleared. The TCRmn register stops the count operation until the next TImn pin start edge is detected.
Operation stop	The TTmn bit is set to 1. The TTmn bit automatically returns to 0 because it is a trigger bit.	TEmn = 0, and count operation stops. The TCRmn register holds count value and stops. The OVF bit of the TSRmn register is also held.
TAU stop	The TAUmEN bit of the PER0, PER1 register is cleared to 0.	Power-off status All circuits are initialized and SFR of each channel is also initialized.

Operation is resumed.

Remark 144-pin products m: Unit number (m = 0 to 2), n: Channel number (n = 0 to 7)
100-pin, 80-pin, 64-pin, and 48-pin products m: Unit number (m = 0 and 1), n: Channel number (n = 0 to 7)

6.7.6 Operation as delay counter

It is possible to start counting down when the valid edge of the TImn pin input is detected (an external event), and then generate INTTMmn (a timer interrupt) after any specified interval.

It can also generate INTTMmn (timer interrupt) at any interval by making a software set TSmn = 1 and the count down start during the period of TEMn = 1.

The interrupt generation period can be calculated by the following expression.

$$\text{Generation period of INTTMmn (timer interrupt)} = \text{Period of count clock} \times (\text{Set value of TDRmn} + 1)$$

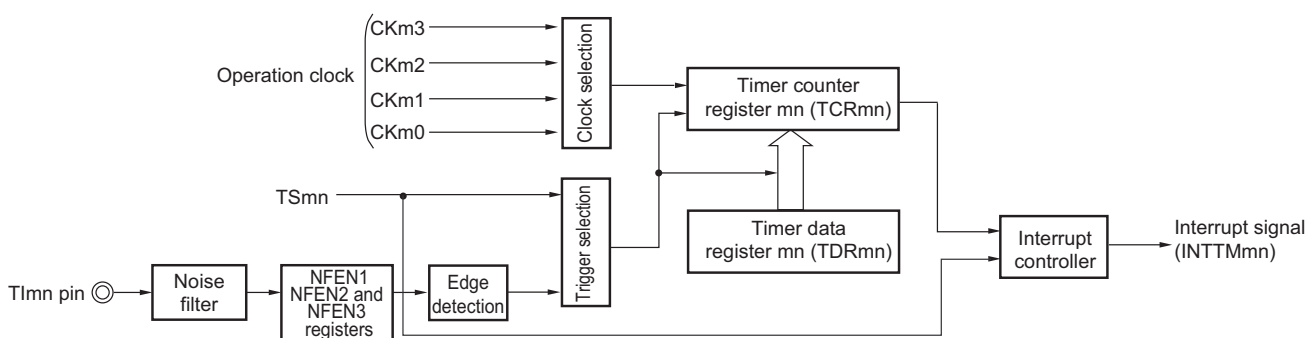
Timer count register mn (TCRmn) operates as a down counter in the one-count mode.

When the channel start trigger bit (TSmn, TSHm1, TSHm3) of timer channel start register m (TSM) is set to 1, the TEMn, TEHm1, TEHm3 bits are set to 1 and the TImn pin input valid edge detection wait status is set.

Timer count register mn (TCRmn) starts operating upon TImn pin input valid edge detection and loads the value of timer data register mn (TDRmn). The TCRmn register counts down from the value of the TDRmn register it has loaded, in synchronization with the count clock. When TCRmn = 0000H, it outputs INTTMmn and stops counting until the next TImn pin input valid edge is detected.

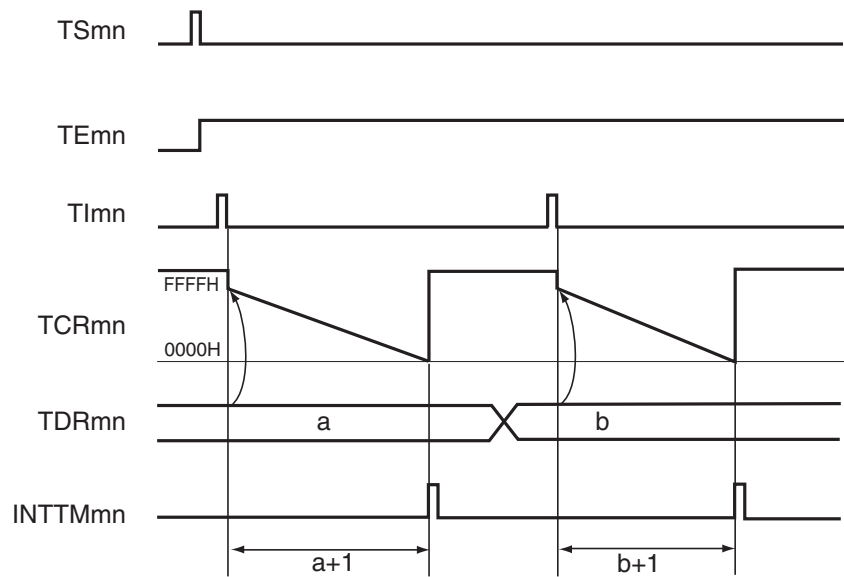
The TDRmn register can be rewritten at any time. The new value of the TDRmn register becomes valid from the next period.

Figure 6-65 Block Diagram of Operation as Delay Counter



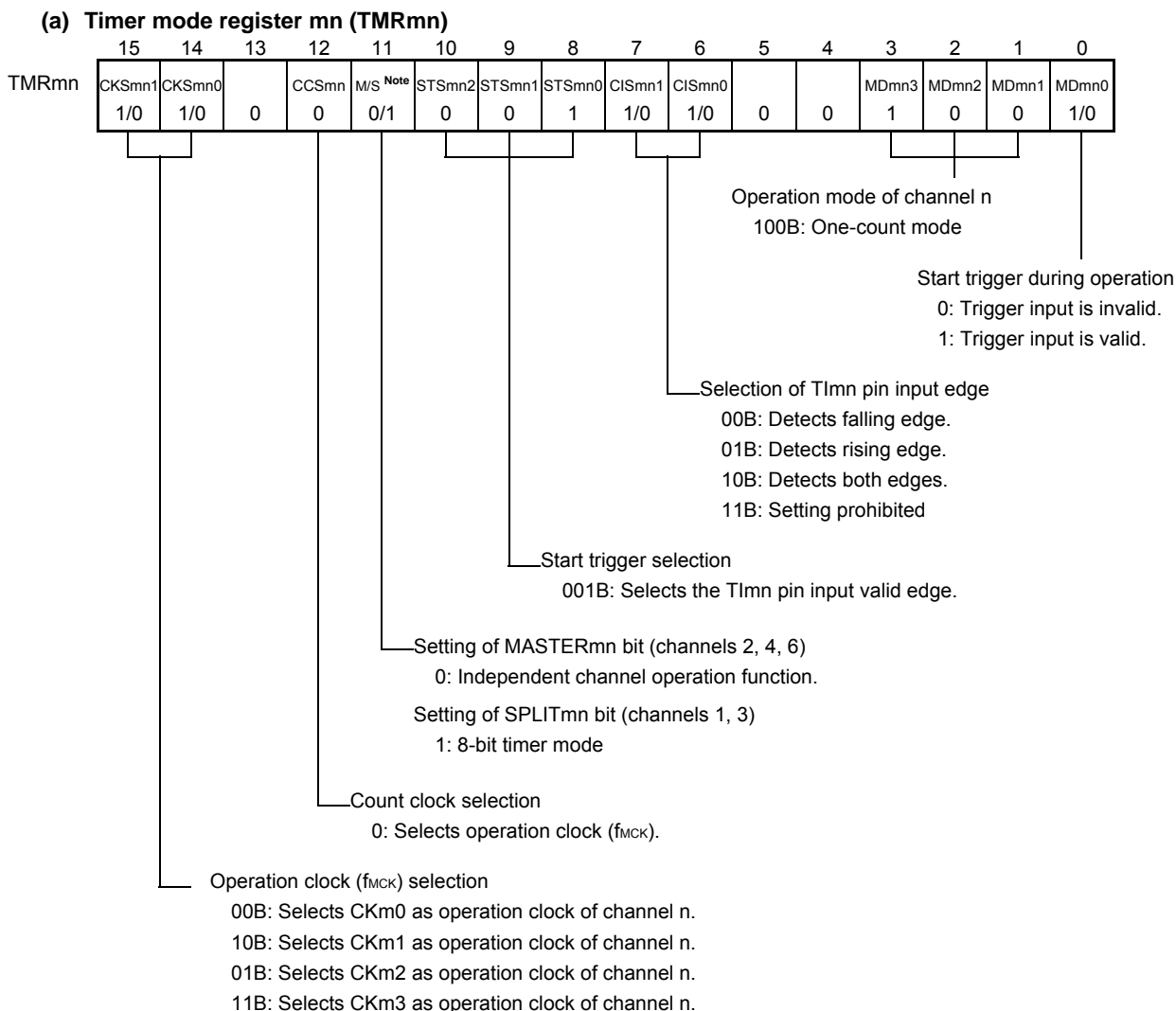
Remark 144-pin products m: Unit number (m = 0 to 2), n: Channel number (n = 0 to 7)
 100-pin, 80-pin, 64-pin, and 48-pin products m: Unit number (m = 0 and 1), n: Channel number (n = 0 to 7)

Figure 6-66 Example of Basic Timing of Operation as Delay Counter

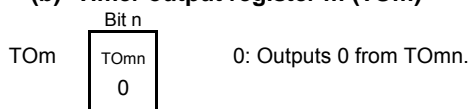


- Remarks 1.** 144-pin products m: Unit number (m = 0 to 2), n: Channel number (n = 0 to 7)
 100-pin, 80-pin, 64-pin, and 48-pin products m: Unit number (m = 0 and 1), n: Channel number (n = 0 to 7)
- 2.** TSmn: Bit n of timer channel start register m (TSm)
 TE_{mn}: Bit n of timer channel enable status register m (TE_m)
 TI_{mn}: TI_{mn} pin input signal
 TCR_{mn}: Timer count register mn (TCR_{mn})
 TDR_{mn}: Timer data register mn (TDR_{mn})

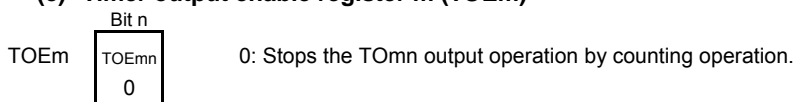
Figure 6-67 Example of Set Contents of Registers to Delay Counter



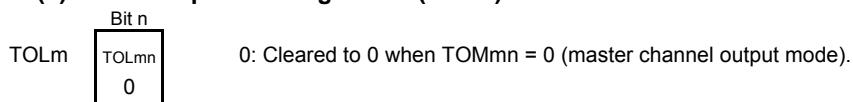
(b) Timer output register m (TOM)



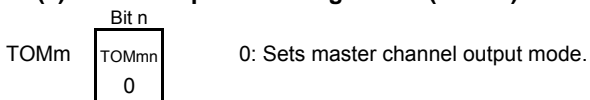
(c) Timer output enable register m (TOEm)



(d) Timer output level register m (TOLm)



(e) Timer output mode register m (TOMm)



(Note and Remark are given on the next page.)

Note TMRm2, TMRm4, TMRm6: MASTERmn bit
TMRm1, TMRm3: SPLITmn bit
TMRm0, TMRm5, TMRm7: Fixed to 0

Remark 144-pin products m: Unit number (m = 0 to 2), n: Channel number (n = 0 to 7)
100-pin, 80-pin, 64-pin, and 48-pin products m: Unit number (m = 0 and 1), n: Channel number (n = 0 to 7)

Figure 6-68 Operation Procedure When Delay Counter Function Is Used

	Software Operation	Hardware Status
TAU default setting		Power-off status (Clock supply is stopped and writing to each register is disabled.)
	Sets the TAUmEN bit of peripheral enable register 0 (PER0, PER1) to 1.	Power-on status. Each channel stops operating. (Clock supply is started and writing to each register is enabled.)
	When TAU1 is used, TSEL0 bit of unit select register (UTSEL) is set to 0 in 144-pin products. When TAU2 is used, TSEL0 bit is set to 1. Determines clock frequencies of CKm0 to CKm3.	
Channel default setting	Sets timer mode register mn (TMRmn) (determines operation mode of channel). INTTMmn output delay is set to timer data register mn (TDRmn). Clears the TOEmn bit to 0 and stops operation of TOMn.	Channel stops operating. (Clock is supplied and some power is consumed.)
Operation start	Sets the TSmn bit to 1. The TSmn bit automatically returns to 0 because it is a trigger bit.	TEmn = 1, and the TImn pin input valid edge detection wait status is set.
	Detects the TImn pin input valid edge.	Value of the TDRmn register is loaded to the timer count register mn (TCRmn).
During operation	Set value of the TDRmn register can be changed. Sets corresponding bit of noise filter enable registers 1, 2 and 3 (NFEN1, NFEN2 and NFEN3) to 1. The TCRmn register can always be read. The TSRmn register is not used.	The counter (TCRmn) counts down. When TCRmn counts down to 0000H, INTTMmn is output, and counting stops (which leaves TCRmn at 0000H) until the next TImn pin input.
Operation stop	The TTmn bit is set to 1. The TTmn bit automatically returns to 0 because it is a trigger bit.	TEmn = 0, and count operation stops. The TCRmn register holds count value and stops.
TAU stop	The TAUmEN bit of the PER0, PER1 register is cleared to 0.	Power-off status All circuits are initialized and SFR of each channel is also initialized.

Operation is resumed.

Remark 144-pin products m: Unit number (m = 0 to 2), n: Channel number (n = 0 to 7)
100-pin, 80-pin, 64-pin, and 48-pin products m: Unit number (m = 0 and 1), n: Channel number (n = 0 to 7)

6.8 Simultaneous Channel Operation Function of Timer Array Unit

6.8.1 Operation as one-shot pulse output function

By using two channels as a set, a one-shot pulse having any delay pulse width can be generated from the signal input to the TImn pin.

The delay time and pulse width can be calculated by the following expressions.

$\text{Delay time} = \{\text{Set value of TDRmn (master)} + 2\} \times \text{Count clock period}$ $\text{Pulse width} = \{\text{Set value of TDRmp (slave)}\} \times \text{Count clock period}$

The master channel operates in the one-count mode and counts the delays. Timer count register mn (TCRmn) of the master channel starts operating upon start trigger detection and loads the value of timer data register mn (TDRmn).

The TCRmn register counts down from the value of the TDRmn register it has loaded, in synchronization with the count clock. When TCRmn = 0000H, it outputs INTTMmn and stops counting until the next start trigger is detected.

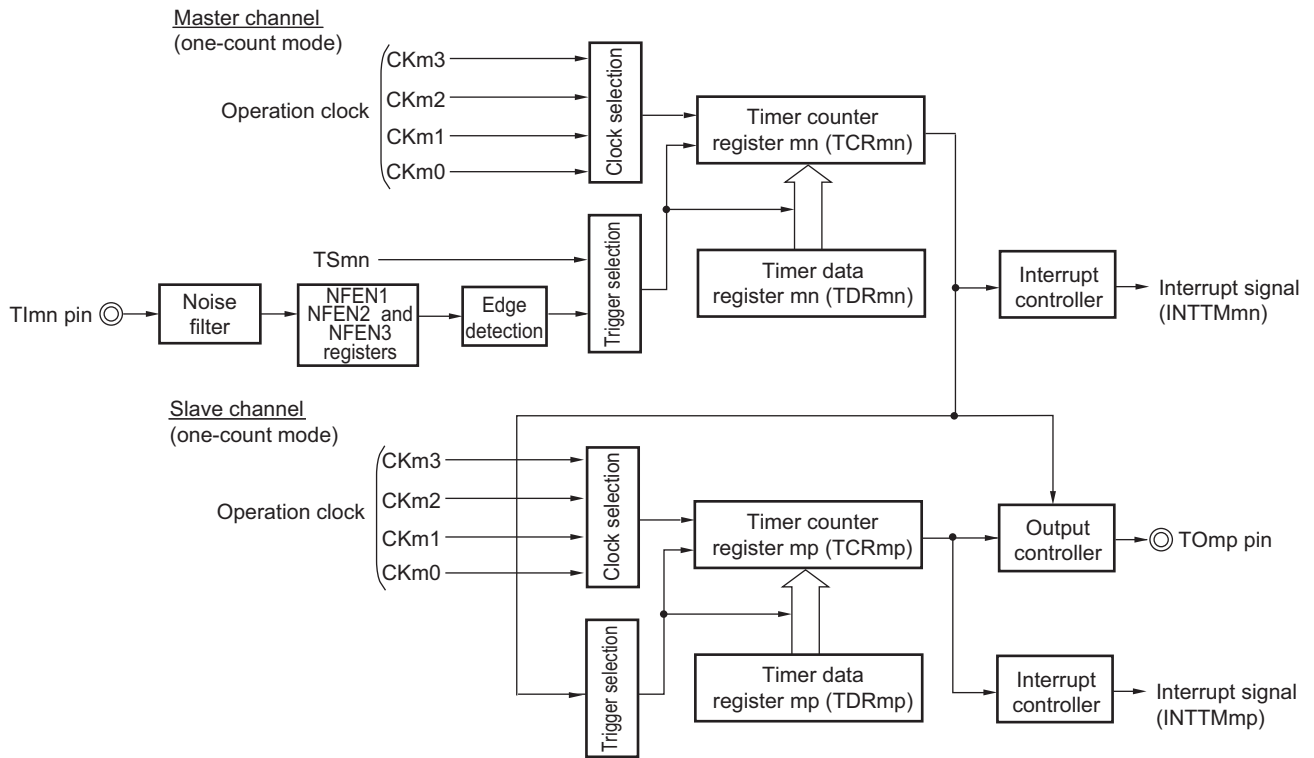
The slave channel operates in the one-count mode and counts the pulse width. The TCRmp register of the slave channel starts operation using INTTMmn of the master channel as a start trigger, and loads the value of the TDRmp register. The TCRmp register counts down from the value of the TDRmp register it has loaded, in synchronization with the count value. When count value = 0000H, it outputs INTTMmp and stops counting until the next start trigger (INTTMmn of the master channel) is detected. The output level of TOmp becomes active one count clock after generation of INTTMmn from the master channel, and inactive when TCRmp = 0000H.

Instead of using the TImn pin input, a one-shot pulse can also be output using the software operation (TSmn = 1) as a start trigger.

Caution The timing of loading of timer data register mn (TDRmn) of the master channel is different from that of the TDRmp register of the slave channel. If the TDRmn and TDRmp registers are rewritten during operation, therefore, an illegal waveform is output. Rewrite the TDRmn register after INTTMmn is generated and the TDRmp register after INTTMmp is generated.

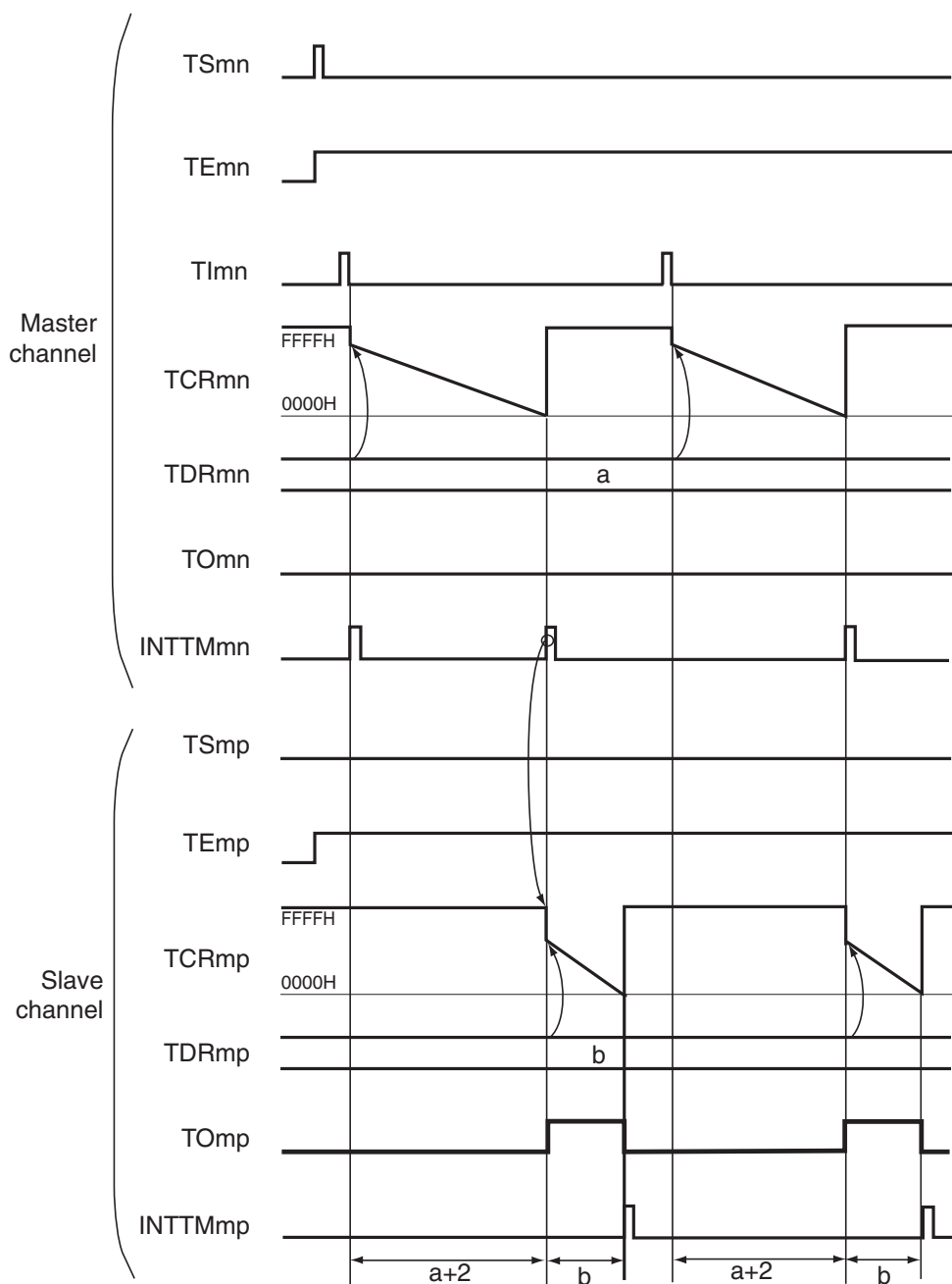
Remark 144-pin products m: Unit number (m = 0 to 2), n: Master channel number (n = 0, 2, 4, 6)
 100-pin, 80-pin, 64-pin, and 48-pin products m: Unit number (m = 0 and 1), n: Master channel number (n = 0, 2, 4, 6)
 p: Slave channel number (n < p ≤ 7)

Figure 6-69 Block Diagram of Operation as One-Shot Pulse Output Function



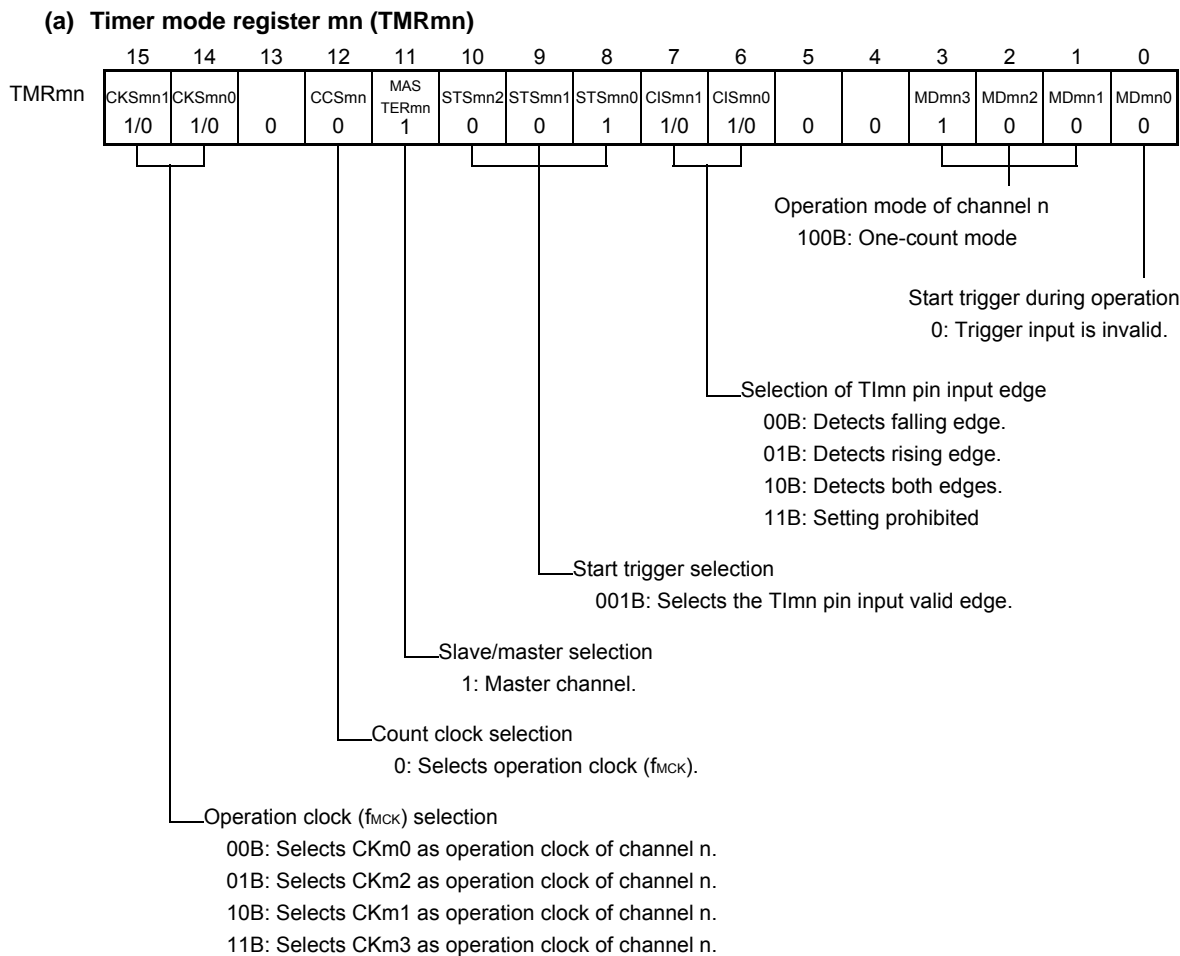
Remark 144-pin products m: Unit number (m = 0 to 2), n: Master channel number (n = 0, 2, 4, 6)
 100-pin, 80-pin, 64-pin, and 48-pin products m: Unit number (m = 0 and 1), n: Master channel number
 (n = 0, 2, 4, 6)
 p: Slave channel number (n < p ≤ 7)

Figure 6-70 Example of Basic Timing of Operation as One-Shot Pulse Output Function

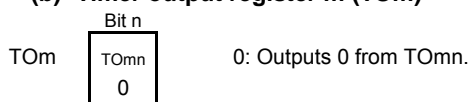


- Remarks 1.** 144-pin products m: Unit number (m = 0 to 2), n: Master channel number (n = 0, 2, 4, 6)
 100-pin, 80-pin, 64-pin, and 48-pin products m: Unit number (m = 0 and 1), n: Master channel number (n = 0, 2, 4, 6)
 p: Slave channel number (n < p ≤ 7)
- 2.** TSmn, TSmp: Bit n, p of timer channel start register m (TSM)
 TEmn, TEmp: Bit n, p of timer channel enable status register m (TEM)
 TImn, TImp: TImn and TImp pins input signal
 TCRmn, TCRmp: Timer count registers mn, mp (TCRmn, TCRmp)
 TDRmn, TDRmp: Timer data registers mn, mp (TDRmn, TDRmp)
 TOmn, TOmp: TOmn and TOmp pins output signal

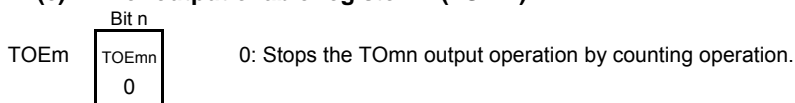
Figure 6-71 Example of Set Contents of Registers When One-Shot Pulse Output Function Is Used (Master Channel)



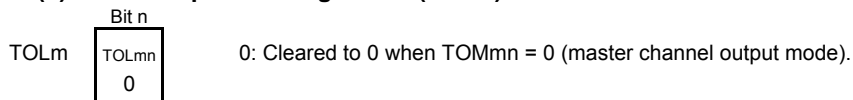
(b) Timer output register m (TOM)



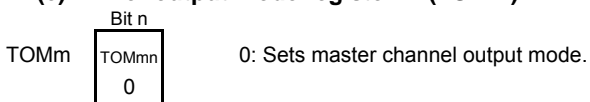
(c) Timer output enable register m (TOEm)



(d) Timer output level register m (TOLm)

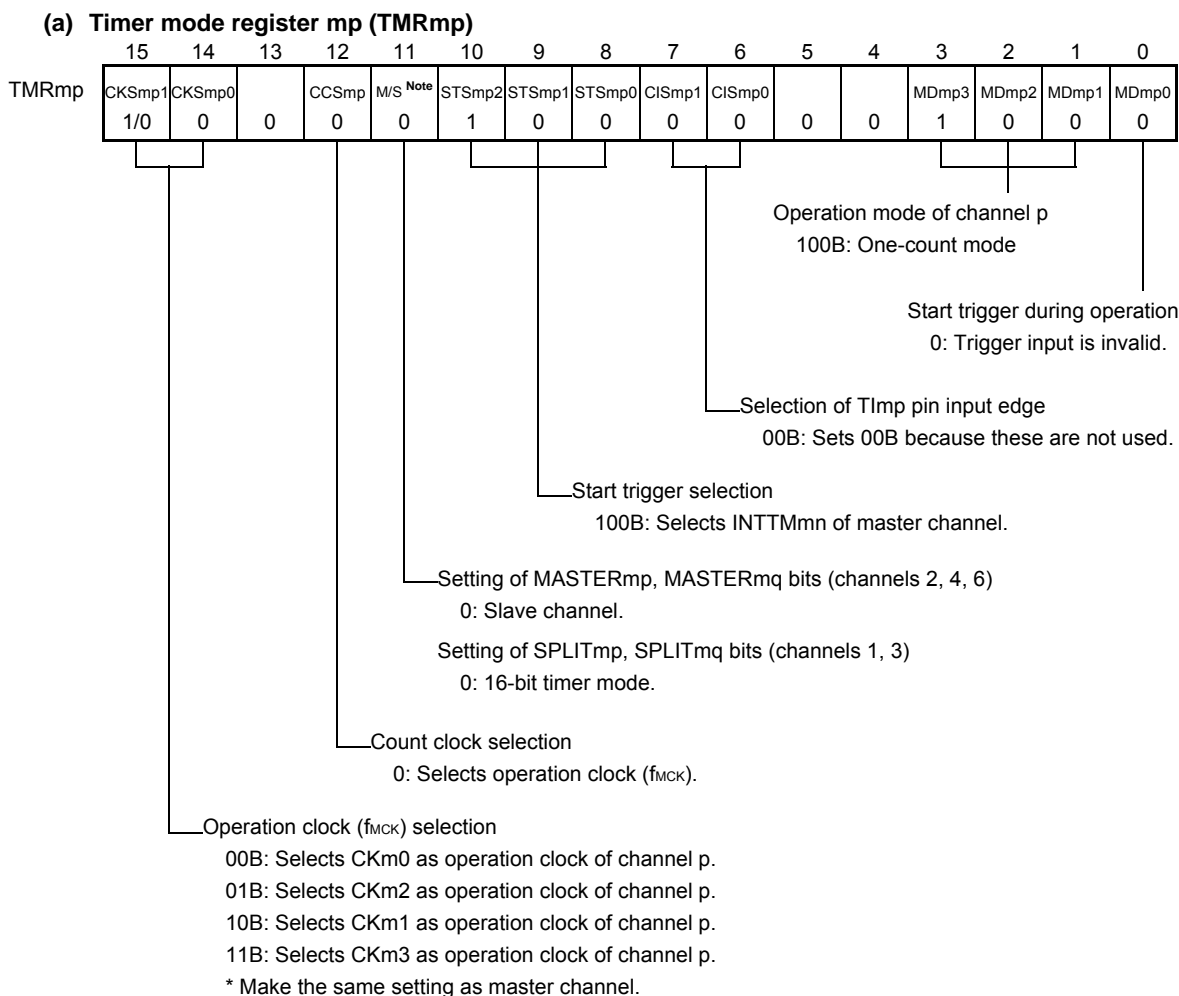


(e) Timer output mode register m (TOMm)



Remark 144-pin products m: Unit number (m = 0 to 2), n: Master channel number (n = 0, 2, 4, 6)
 100-pin, 80-pin, 64-pin, and 48-pin products m: Unit number (m = 0 and 1), n: Master channel number
 (n = 0, 2, 4, 6)

Figure 6-72 Example of Set Contents of Registers When One-Shot Pulse Output Function Is Used (Slave Channel)



(b) Timer output register m (TOM)

TOM	Bit p	0: Outputs 0 from TOmp. 1: Outputs 1 from TOmp.
	TOmp 1/0	

(c) Timer output enable register m (TOEm)

TOEm	Bit p	0: Stops the TOmp output operation by counting operation. 1: Enables the TOmp output operation by counting operation.
	TOEmp 1/0	

(d) Timer output level register m (TOLm)

TOLm	Bit p	0: Positive logic output (active-high) 1: Negative logic output (active-low)
	TOLmp 1/0	

(e) Timer output mode register m (TOMm)

TOMm	Bit p	1: Sets the slave channel output mode.
	TOMmp 1	

Note TMRm2, TMRm4, TMRm6: MASTERmp bit
 TMRm1, TMRm3: SPLITmp bit
 TMRm5, TMRm7: Fixed to 0

(Remark is listed on the next page.)

Remark 144-pin products m: Unit number (m = 0 to 2), n: Master channel number (n = 0, 2, 4, 6)
100-pin, 80-pin, 64-pin, and 48-pin products m: Unit number (m = 0 and 1), n: Master channel number
(n = 0, 2, 4, 6)
p: Slave channel number (n < p ≤ 7)

Figure 6-73 Operation Procedure of One-Shot Pulse Output Function (1/2)

	Software Operation	Hardware Status
TAU default setting		Power-off status (Clock supply is stopped and writing to each register is disabled.)
	Sets the TAUmEN bit of peripheral enable registers 0 (PER0, PER1) to 1.	Power-on status. Each channel stops operating. (Clock supply is started and writing to each register is enabled.)
	When TAU1 is used, TSEL0 bit of unit select register (UTSEL) is set to 0 in 144-pin products. When TAU2 is used, TSEL0 bit is set to 1. Determines clock frequencies of CKm0 to CKm3.	
Channel default setting	Sets timer mode register mn, mp (TMRmn, TMRmp) of two channels to be used (determines operation mode of channels). An output delay is set to timer data register mn (TDRmn) of the master channel, and a pulse width is set to the TDRmp register of the slave channel.	Channel stops operating. (Clock is supplied and some power is consumed.)
	Sets slave channel. The TOMmp bit of timer output mode register m (TOMm) is set to 1 (slave channel output mode). Sets the TOLmp bit. Sets the TOmp bit and determines default level of the TOmp output.	The TOmp pin goes into Hi-Z output state.
	Sets the TOEmp bit to 1 and enables operation of TOmp. Clears the port register and port mode register to 0.	The TOmp default setting level is output when the port mode register is in output mode and the port register is 0. TOmp does not change because channel stops operating. The TOmp pin outputs the TOmp set level.

(Remark is listed on the next page.)

Figure 6-73 Operation Procedure of One-Shot Pulse Output Function (2/2)

	Software Operation	Hardware Status
Operation start	Sets the TOEmp bit (slave) to 1 (only when operation is resumed). The TSmn (master) and TSmp (slave) bits of timer channel start register m (TSM) are set to 1 at the same time. The TSmn and TSmp bits automatically return to 0 because they are trigger bits.	The TEMn and TEmP bits are set to 1 and the master channel enters the TImn input edge detection wait status. Counter stops operating.
	Detects the TImn pin input valid edge of master channel.	Master channel starts counting.
During operation	Set values of only the CISmn1 and CISmn0 bits of the TMRmn register can be changed. Sets corresponding bit of noise filter enable registers 1, 2 and 3 (NFEN1, NFEN2 and NFEN3) to 1. Set values of the TMRmp, TDRmn, TDRmp registers, TOMmn, TOMmp, TOLmn, and TOLmp bits cannot be changed. The TCRmn and TCRmp registers can always be read. The TSRmn and TSRmp registers are not used. Set values of the TOm and TOEm registers of slave channel can be changed.	Master channel loads the value of the TDRmn register to timer count register mn (TCRmn) when the TImn pin valid input edge is detected, and the counter starts counting down. When the count value reaches TCRmn = 0000H, the INTTMmn output is generated, and the counter stops until the next valid edge is input to the TImn pin. The slave channel, triggered by INTTMmn of the master channel, loads the value of the TDRmp register to the TCRmp register, and the counter starts counting down. The output level of TOmp becomes active one count clock after generation of INTTMmn from the master channel. It becomes inactive when TCRmp = 0000H, and the counting operation is stopped. After that, the above operation is repeated.
Operation stop	The TTmn (master) and TTmp (slave) bits are set to 1 at the same time. The TTmn and TTmp bits automatically return to 0 because they are trigger bits.	TEMn, TEmP = 0, and count operation stops. The TCRmn and TCRmp registers hold count value and stop. The TOmp output is not initialized but holds current status.
	The TOEmp bit of slave channel is cleared to 0 and value is set to the TOmp bit.	The TOmp pin outputs the TOmp set level.
TAU stop	To hold the TOmp pin output level Clears the TOmp bit to 0 after the value to be held is set to the port register. When holding the TOmp pin output level is not necessary Setting not required.	The TOmp pin output level is held by port function.
	The TAUmEN bit of the PER0, PER1 register is cleared to 0.	Power-off status All circuits are initialized and SFR of each channel is also initialized. (The TOmp bit is cleared to 0 and the TOmp pin is set to port mode.)

Operation is resumed.

Remark 144-pin products m: Unit number (m = 0 to 2), n: Master Channel number (n = 0, 2, 4, 6)
 100-pin, 80-pin, 64-pin, and 48-pin products m: Unit number (m = 0 and 1), n: Master Channel number (n = 0, 2, 4, 6)
 p: Slave channel number (n < p ≤ 7)

6.8.2 Operation as PWM function

Two channels can be used as a set to generate a pulse of any period and duty factor.

The period and duty factor of the output pulse can be calculated by the following expressions.

$$\begin{aligned} \text{Pulse period} &= \{\text{Set value of TDRmn (master)} + 1\} \times \text{Count clock period} \\ \text{Duty factor [\%]} &= \{\text{Set value of TDRmp (slave)}\} / \{\text{Set value of TDRmn (master)} + 1\} \times 100 \\ \text{0\% output:} & \quad \text{Set value of TDRmp (slave)} = 0000\text{H} \\ \text{100\% output:} & \quad \text{Set value of TDRmp (slave)} \geq \{\text{Set value of TDRmn (master)} + 1\} \end{aligned}$$

Remark The duty factor exceeds 100% if the set value of TDRmp (slave) > (set value of TDRmn (master) + 1), it summarizes to 100% output.

The master channel operates in the interval timer mode. If the channel start trigger bit (TSmn) of timer channel start register m (TSM) is set to 1, an interrupt (INTTMmn) is output, the value set to timer data register mn (TDRmn) is loaded to timer count register mn (TCRmn), and the counter counts down in synchronization with the count clock. When the counter reaches 0000H, INTTMmn is output, the value of the TDRmn register is loaded again to the TCRmn register, and the counter counts down. This operation is repeated until the channel stop trigger bit (TTmn) of timer channel stop register m (TTM) is set to 1.

If two channels are used to output a PWM waveform, the period until the master channel counts down to 0000H is the PWM output (TOmp) cycle.

The slave channel operates in one-count mode. By using INTTMmn from the master channel as a start trigger, the TCRmp register loads the value of the TDRmp register and the counter counts down to 0000H. When the counter reaches 0000H, it outputs INTTMmp and waits until the next start trigger (INTTMmn from the master channel) is generated.

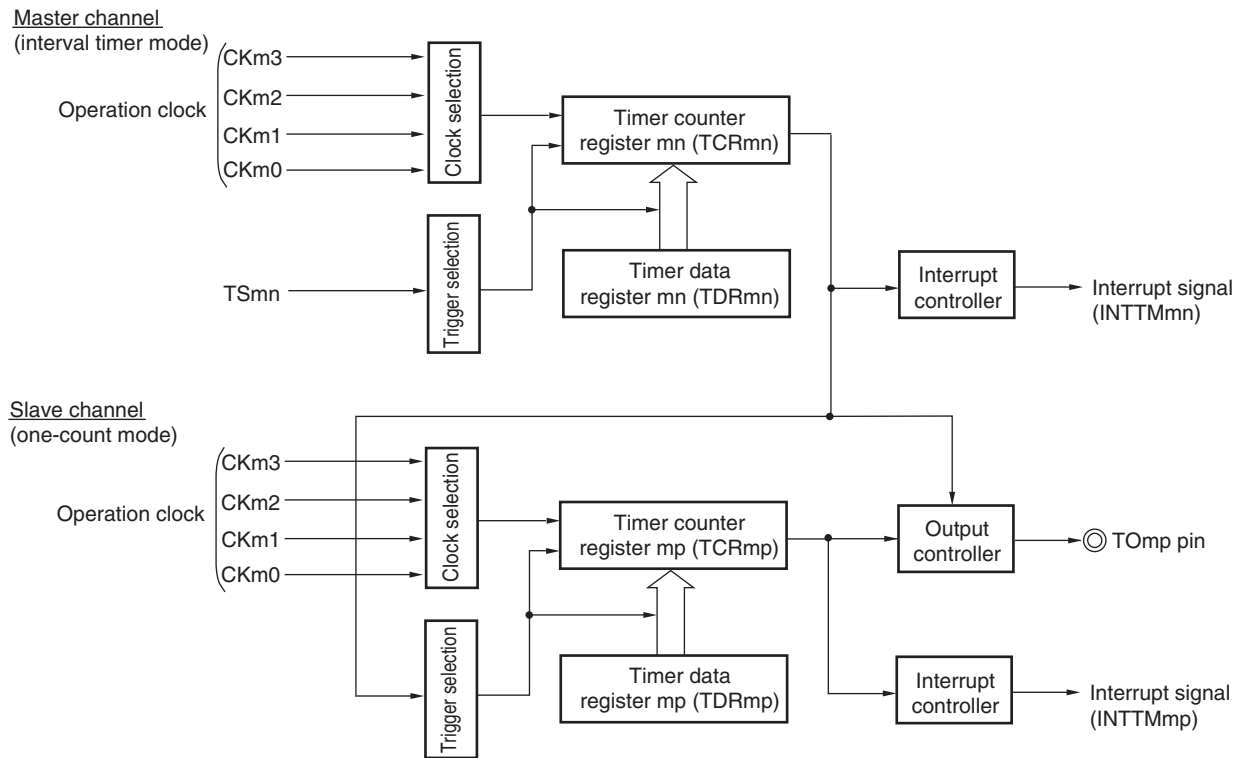
If two channels are used to output a PWM waveform, the period until the slave channel counts down to 0000H is the PWM output (TOmp) duty.

PWM output (TOmp) goes to the active level one clock after the master channel generates INTTMmn and goes to the inactive level when the TCRmp register of the slave channel becomes 0000H.

Caution To rewrite both timer data register mn (TDRmn) of the master channel and the TDRmp register of the slave channel, a write access is necessary two times. The timing at which the values of the TDRmn and TDRmp registers are loaded to the TCRmn and TCRmp registers is upon occurrence of INTTMmn of the master channel. Thus, when rewriting is performed split before and after occurrence of INTTMmn of the master channel, the TOmp pin cannot output the expected waveform. To rewrite both the TDRmn register of the master and the TDRmp register of the slave, therefore, be sure to rewrite both the registers immediately after INTTMmn is generated from the master channel.

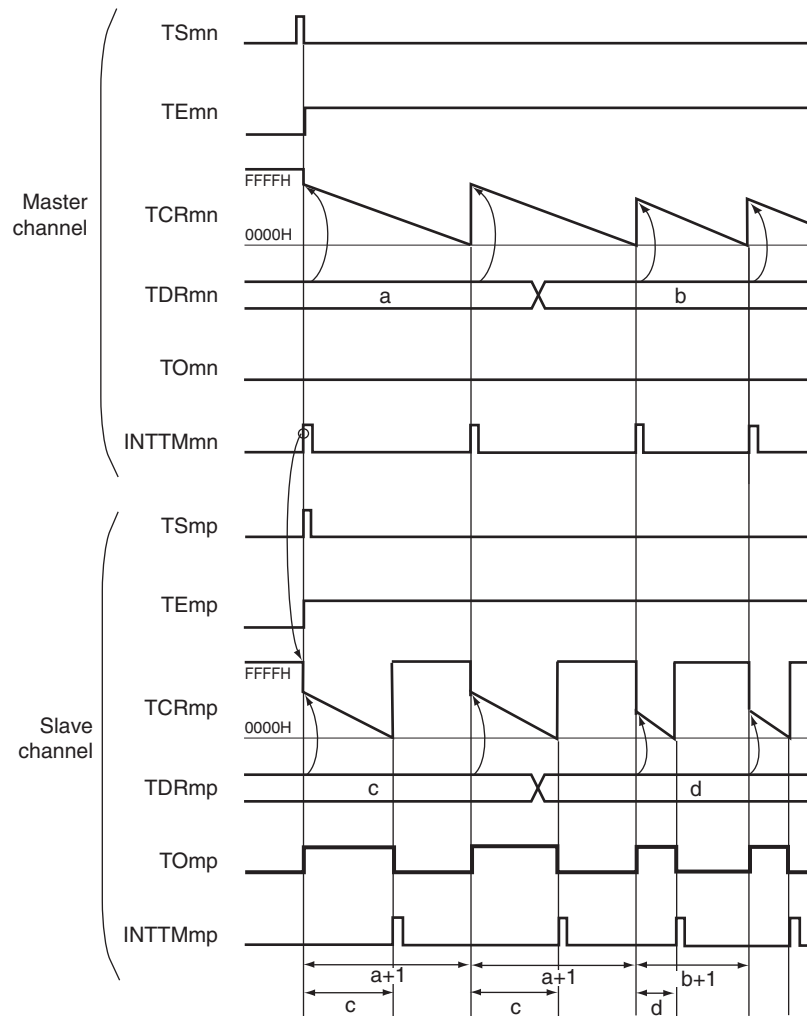
Remark 144-pin products m: Unit number (m = 0 to 2), n: Master Channel number (n = 0, 2, 4, 6)
 100-pin, 80-pin, 64-pin, and 48-pin products m: Unit number (m = 0 and 1), n: Master Channel number (n = 0, 2, 4, 6)
 p: Slave channel number (n < p ≤ 7)

Figure 6-74 Block Diagram of Operation as PWM Function



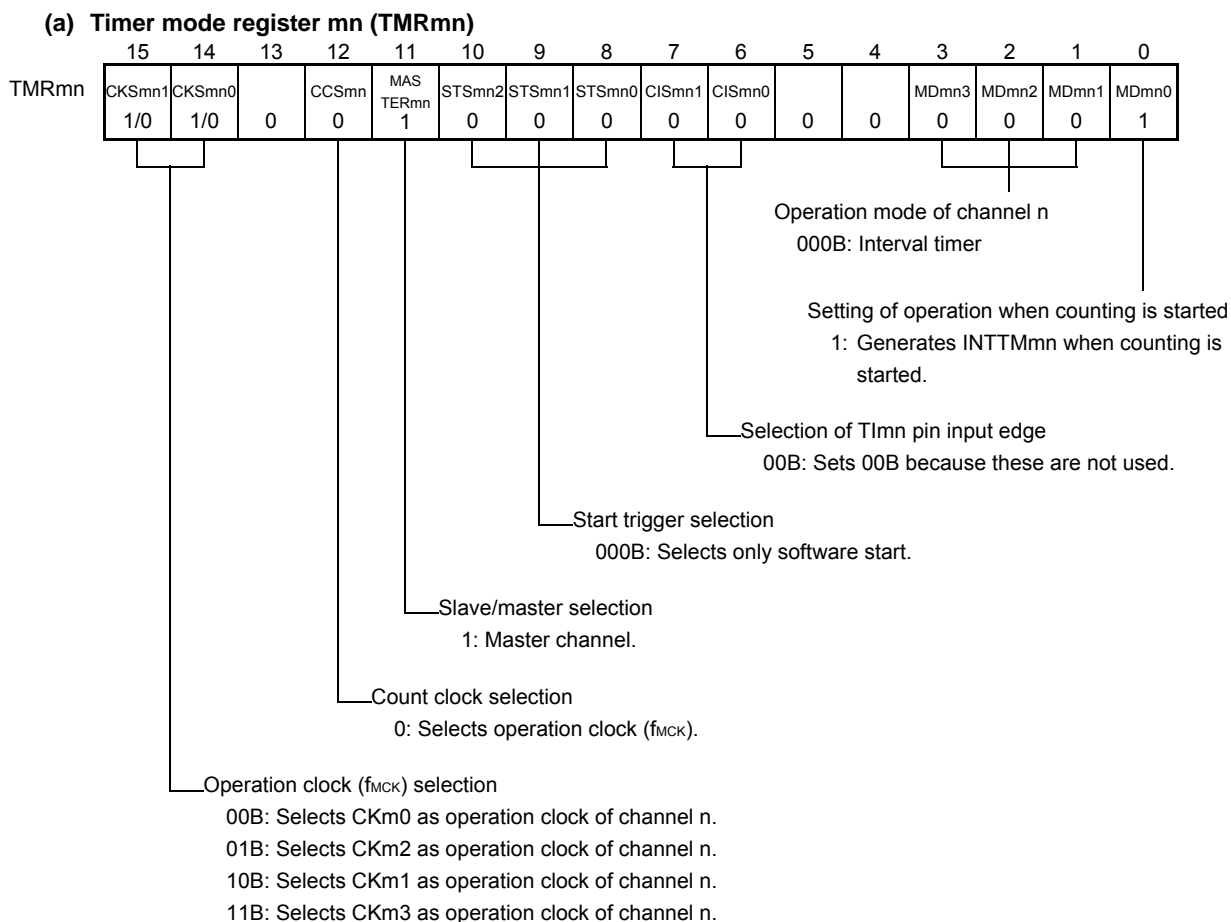
Remark 144-pin products m: Unit number (m = 0 to 2), n: Master Channel number (n = 0, 2, 4, 6)
 100-pin, 80-pin, 64-pin, and 48-pin products m: Unit number (m = 0 and 1), n: Master Channel number (n = 0, 2, 4, 6)
 p: Slave channel number (n < p ≤ 7)

Figure 6-75 Example of Basic Timing of Operation as PWM Function

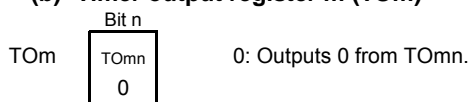


- Remarks1.** 144-pin products m: Unit number (m = 0 to 2), n: Master Channel number (n = 0, 2, 4, 6)
 100-pin, 80-pin, 64-pin, and 48-pin products m: Unit number (m = 0 and 1), Master Channel number (n = 0, 2, 4, 6)
 p: Slave channel number (n < p ≤ 7)
- 2.** TSmn, TSmp: Bit n, p of timer channel start register m (TSM)
 TE mn, TE mp: Bit n, p of timer channel enable status register m (TEM)
 TCRmn, TCRmp: Timer count registers mn, mp (TCRmn, TCRmp)
 TDRmn, TDRmp: Timer data registers mn, mp (TDRmn, TDRmp)
 TOMn, TOMp: TOMn and TOMp pins output signal

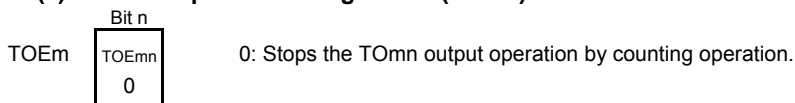
Figure 6-76 Example of Set Contents of Registers When PWM Function (Master Channel) Is Used



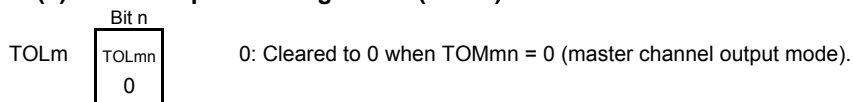
(b) Timer output register m (TOM)



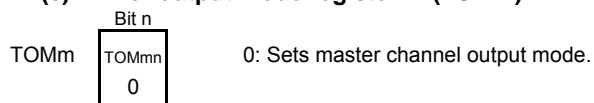
(c) Timer output enable register m (TOEm)



(d) Timer output level register m (TOLm)

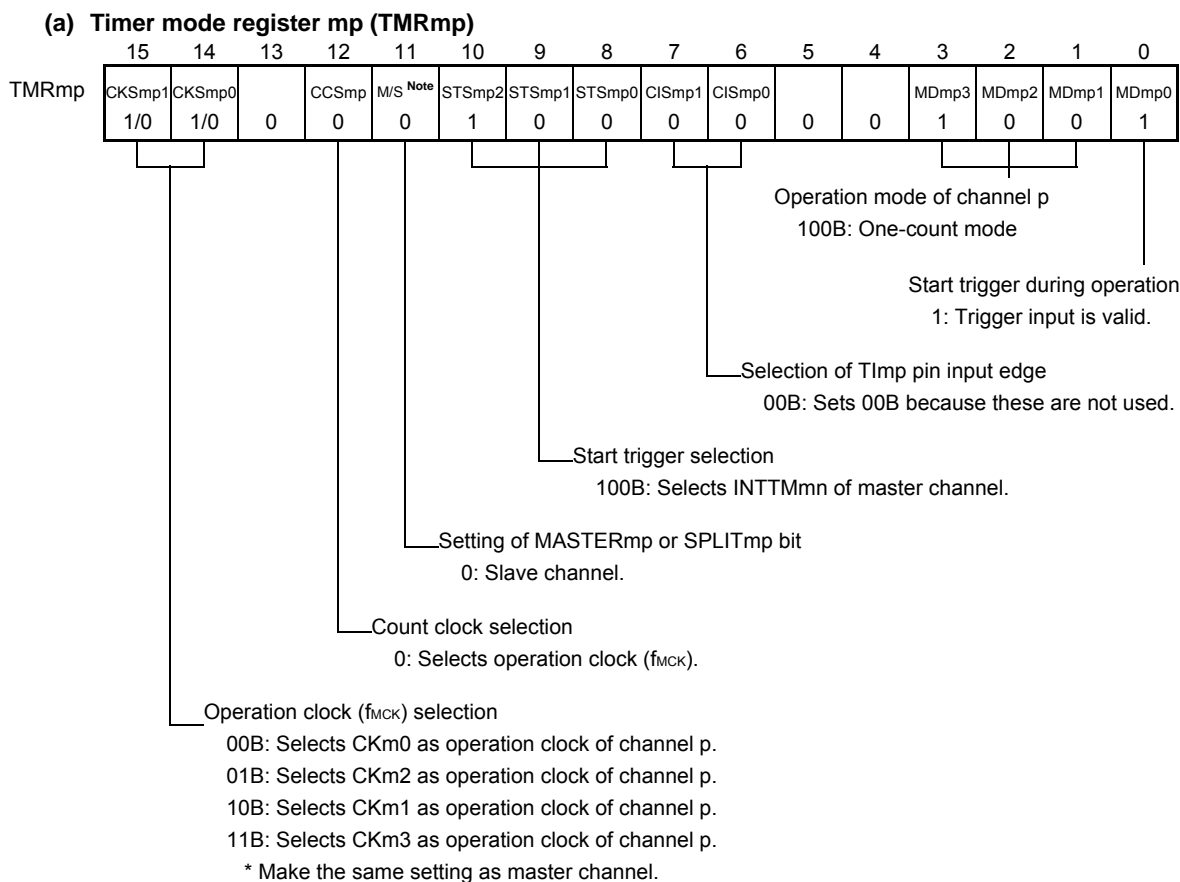


(e) Timer output mode register m (TOMm)

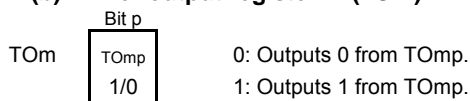


Remark 144-pin products m: Unit number (m = 0 to 2), n: Master Channel number (n = 0, 2, 4, 6)
 100-pin, 80-pin, 64-pin, and 48-pin products m: Unit number (m = 0 and 1), Master Channel number (n = 0, 2, 4, 6)

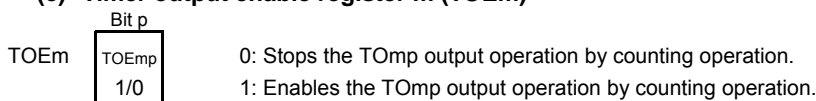
Figure 6-77 Example of Set Contents of Registers When PWM Function (Slave Channel) Is Used



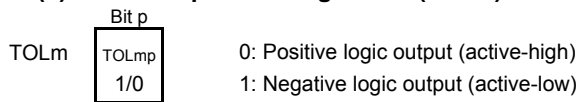
(b) Timer output register m (TOM)



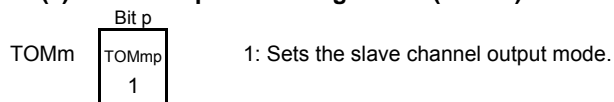
(c) Timer output enable register m (TOEm)



(d) Timer output level register m (TOLm)



(e) Timer output mode register m (TOMm)



Note TMRm5, TMRm7: Fixed to 0
TMRm1, TMRm3: SPLITmp bit

Remark 144-pin products m: Unit number (m = 0 to 2) n: Master Channel number (n = 0, 2, 4, 6)
100-pin, 80-pin, 64-pin, and 48-pin products m: Unit number (m = 0 and 1) n: Master Channel number (n = 0, 2, 4, 6)
p: Slave channel number (n < p ≤ 7)

Figure 6-78 Operation Procedure When PWM Function Is Used (1/2)

	Software Operation	Hardware Status
TAU default setting		Power-off status (Clock supply is stopped and writing to each register is disabled.)
	Sets the TAUmEN bit of peripheral enable register 0 (PER0, PER1) to 1.	Power-on status. Each channel stops operating. (Clock supply is started and writing to each register is enabled.)
	When TAU1 is used, TSEL0 bit of unit select register (UTSEL) is set to 0 in 144-pin products. When TAU2 is used, TSEL0 bit is set to 1. Determines clock frequencies of CKm0 to CKm3.	
Channel default setting	Sets timer mode registers mn, mp (TMRmn, TMRmp) of two channels to be used (determines operation mode of channels). An interval (period) value is set to timer data register mn (TDRmn) of the master channel, and a duty factor is set to the TDRmp register of the slave channel.	Channel stops operating. (Clock is supplied and some power is consumed.)
	Sets slave channel. The TOMmp bit of timer output mode register m (TOMm) is set to 1 (slave channel output mode). Sets the TOLmp bit. Sets the TOmp bit and determines default level of the TOmp output.	The TOmp pin goes into Hi-Z output state.
	Sets the TOEmp bit to 1 and enables operation of TOmp. Clears the port register and port mode register to 0.	The TOmp default setting level is output when the port mode register is in output mode and the port register is 0. TOmp does not change because channel stops operating. The TOmp pin outputs the TOmp set level.

(Remark is listed on the next page.)

Figure 6-78 Operation Procedure When PWM Function Is Used (2/2)

	Software Operation	Hardware Status
Operation is resumed.	<p>Operation start</p> <p>Sets the TOEmp bit (slave) to 1 (only when operation is resumed).</p> <p>The TSmn (master) and TSmp (slave) bits of timer channel start register m (TSM) are set to 1 at the same time.</p> <p>The TSmn and TSmp bits automatically return to 0 because they are trigger bits.</p>	<p>TEmn = 1, TEmn = 1</p> <p>▶ When the master channel starts counting, INTTMmn is generated. Triggered by this interrupt, the slave channel also starts counting.</p>
	<p>During operation</p> <p>Set values of the TMRmn and TMRmp registers, TOMmn, TOMmp, TOLmn, and TOLmp bits cannot be changed.</p> <p>Set values of the TDRmn and TDRmp registers can be changed after INTTMmn of the master channel is generated.</p> <p>The TCRmn and TCRmp registers can always be read.</p> <p>The TSRmn and TSRmp registers are not used.</p>	<p>The counter of the master channel loads the TDRmn register value to timer count register mn (TCRmn), and counts down. When the count value reaches TCRmn = 0000H, INTTMmn output is generated. At the same time, the value of the TDRmn register is loaded to the TCRmn register, and the counter starts counting down again.</p> <p>At the slave channel, the value of the TDRmp register is loaded to the TCRmp register, triggered by INTTMmn of the master channel, and the counter starts counting down. The output level of TOmp becomes active one count clock after generation of the INTTMmn output from the master channel. It becomes inactive when TCRmp = 0000H, and the counting operation is stopped.</p> <p>After that, the above operation is repeated.</p>
	<p>Operation stop</p> <p>The TTmn (master) and TTmp (slave) bits are set to 1 at the same time.</p> <p>The TTmn and TTmp bits automatically return to 0 because they are trigger bits.</p>	<p>TEmn, TEmn = 0, and count operation stops.</p> <p>The TCRmn and TCRmp registers hold count value and stop.</p> <p>The TOmp output is not initialized but holds current status.</p>
	<p>The TOEmp bit of slave channel is cleared to 0 and value is set to the TOmp bit.</p>	<p>▶ The TOmp pin outputs the TOmp set level.</p>
	<p>TAU stop</p> <p>To hold the TOmp pin output level</p> <p>Clears the TOmp bit to 0 after the value to be held is set to the port register.</p> <p>When holding the TOmp pin output level is not necessary</p> <p>Setting not required.</p>	<p>▶ The TOmp pin output level is held by port function.</p>
	<p>The TAUmEN bit of the PER0, PER1 register is cleared to 0.</p>	<p>▶ Power-off status</p> <p>All circuits are initialized and SFR of each channel is also initialized.</p> <p>(The TOmp bit is cleared to 0 and the TOmp pin is set to port mode.)</p>

Remark 144-pin products m: Unit number (m = 0 to 2), n: Master Channel number (n = 0, 2, 4, 6)
 100-pin, 80-pin, 64-pin, and 48-pin products m: Unit number (m = 0 and 1), n: Master Channel number (n = 0, 2, 4, 6)
 p: Slave channel number (n < p ≤ 7)

6.8.3 Operation as multiple PWM output function

By extending the PWM function and using multiple slave channels, many PWM waveforms with different duty values can be output.

For example, when using two slave channels, the period and duty factor of an output pulse can be calculated by the following expressions.

$$\begin{aligned} \text{Pulse period} &= \{\text{Set value of TDRmn (master)} + 1\} \times \text{Count clock period} \\ \text{Duty factor 1 [\%]} &= \{\text{Set value of TDRmp (slave 1)}\} / \{\text{Set value of TDRmn (master)} + 1\} \times 100 \\ \text{Duty factor 2 [\%]} &= \{\text{Set value of TDRmq (slave 2)}\} / \{\text{Set value of TDRmn (master)} + 1\} \times 100 \end{aligned}$$

Remark Although the duty factor exceeds 100% if the set value of TDRmp (slave 1) > {set value of TDRmn (master) + 1} or if the {set value of TDRmq (slave 2)} > {set value of TDRmn (master) + 1}, it is summarized into 100% output.

Timer count register mn (TCRmn) of the master channel operates in the interval timer mode and counts the periods.

The TCRmp register of the slave channel 1 operates in one-count mode, counts the duty factor, and outputs a PWM waveform from the TOmp pin. The TCRmp register loads the value of timer data register mp (TDRmp), using INTTMmn of the master channel as a start trigger, and starts counting down. When TCRmp = 0000H, TCRmp outputs INTTMmp and stops counting until the next start trigger (INTTMmn of the master channel) has been input. The output level of TOmp becomes active one count clock after generation of INTTMmn from the master channel, and inactive when TCRmp = 0000H.

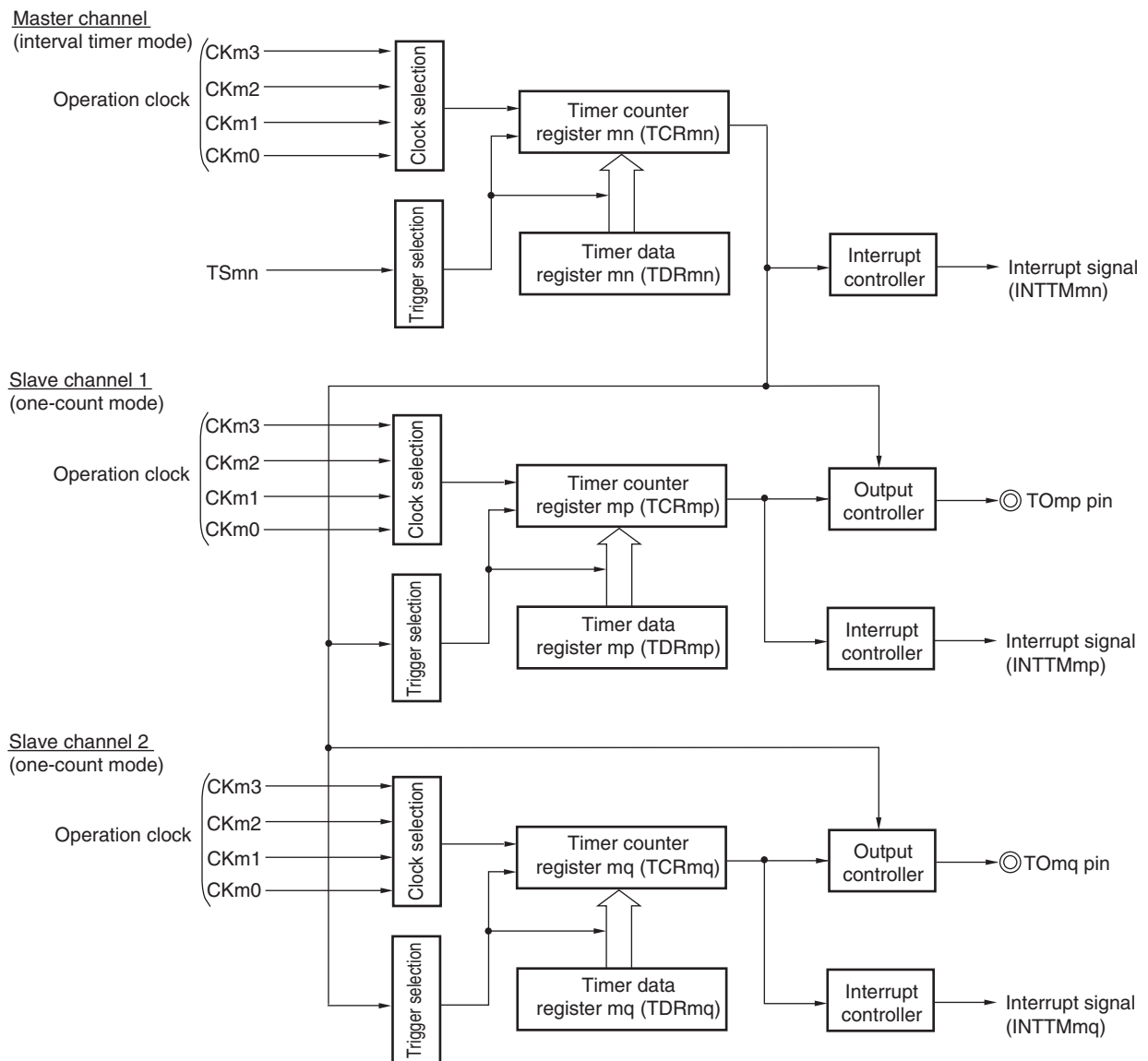
In the same way as the TCRmp register of the slave channel 1, the TCRmq register of the slave channel 2 operates in one-count mode, counts the duty factor, and outputs a PWM waveform from the TOMq pin. The TCRmq register loads the value of the TDRmq register, using INTTMmn of the master channel as a start trigger, and starts counting down. When TCRmq = 0000H, the TCRmq register outputs INTTMmq and stops counting until the next start trigger (INTTMmn of the master channel) has been input. The output level of TOMq becomes active one count clock after generation of INTTMmn from the master channel, and inactive when TCRmq = 0000H.

When channel 0 is used as the master channel as above, up to three types of PWM signals can be output at the same time.

Caution To rewrite both timer data register mn (TDRmn) of the master channel and the TDRmp register of the slave channel 1, write access is necessary at least twice. Since the values of the TDRmn and TDRmp registers are loaded to the TCRmn and TCRmp registers after INTTMmn is generated from the master channel, if rewriting is performed separately before and after generation of INTTMmn from the master channel, the TOmp pin cannot output the expected waveform. To rewrite both the TDRmn register of the master and the TDRmp register of the slave, be sure to rewrite both the registers immediately after INTTMmn is generated from the master channel (This applies also to the TDRmq register of the slave channel 2).

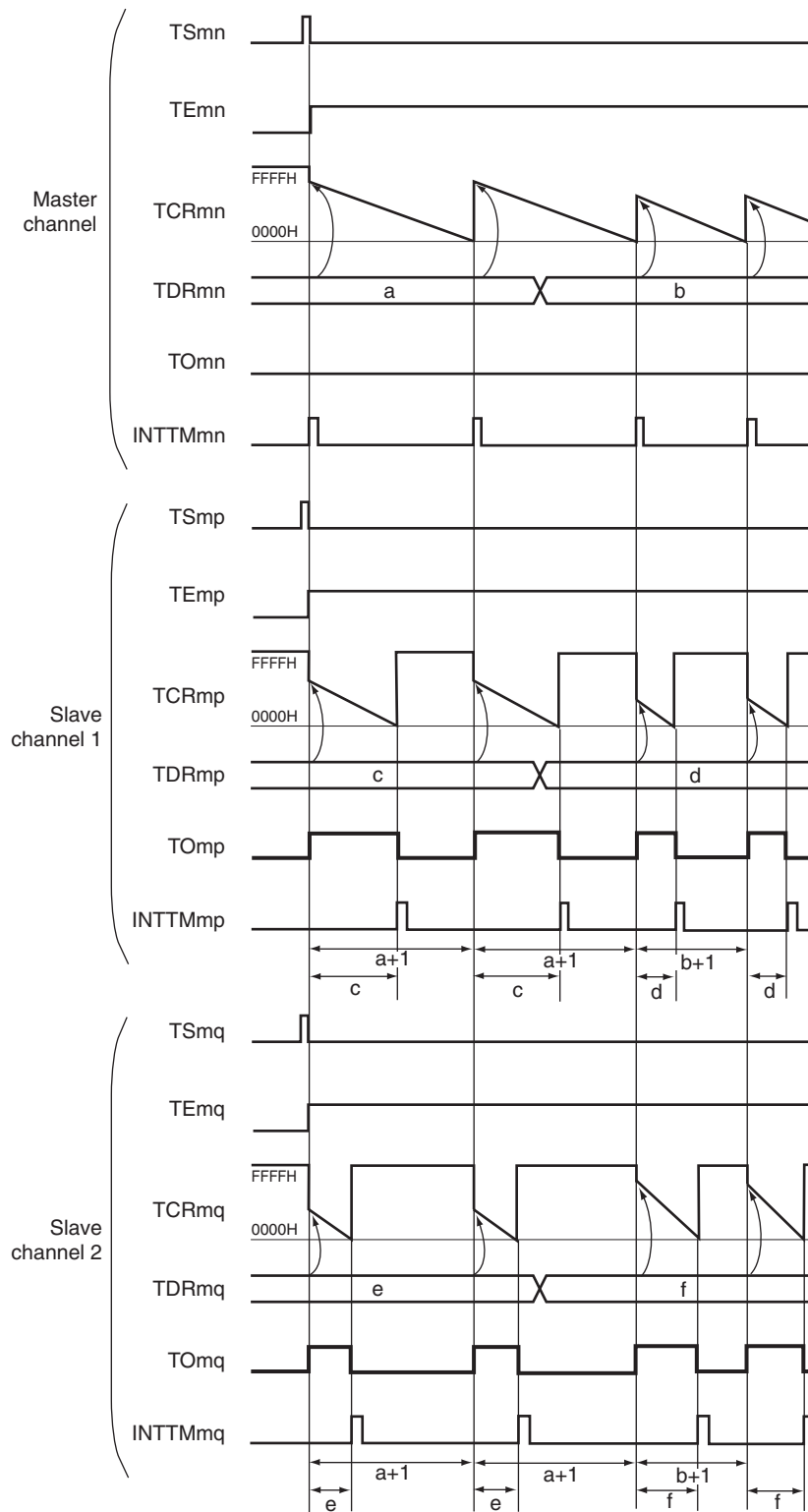
Remark 144-pin products m: Unit number (m = 0 to 2), n: Master Channel number (n = 0, 2, 4)
 100-pin, 80-pin, 64-pin, and 48-pin products m: Unit number (m = 0 and 1), n: Master Channel number (n = 0, 2, 4)
 p: Slave channel number 1, q: Slave channel number 2
 $n < p < q \leq 7$ (Where p and q are integers greater than n)

Figure 6-79 Block Diagram of Operation as Multiple PWM Output Function (output two types of PWMs)



Remark 144-pin products m: Unit number (m = 0 to 2), n: Master Channel number (n = 0, 2, 4)
 100-pin, 80-pin, 64-pin, and 48-pin products m: Unit number (m = 0 and 1), n: Master Channel number (n = 0, 2, 4)
 p: Slave channel number 1, q: Slave channel number 2
 n < p < q ≤ 7 (Where p and q are integers greater than n)

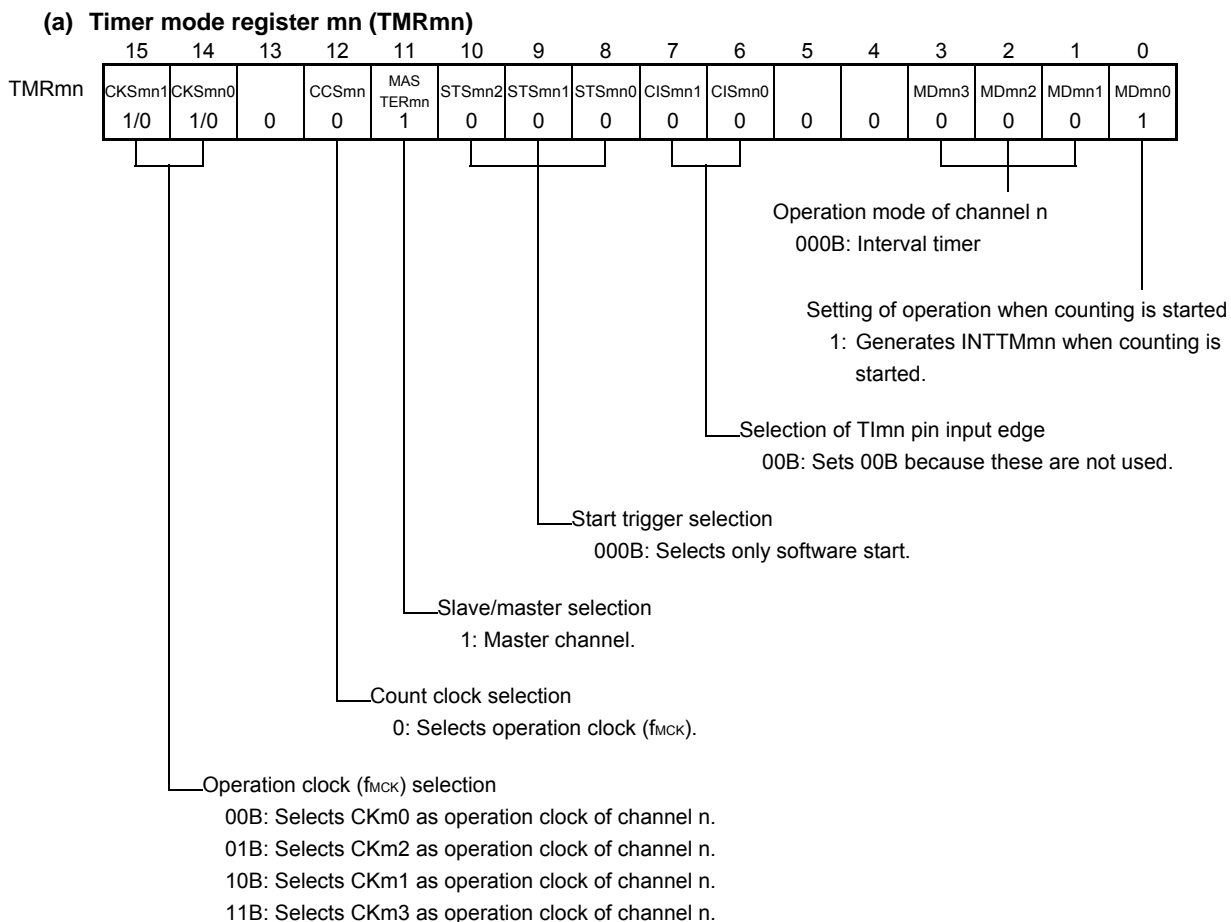
**Figure 6-80 Example of Basic Timing of Operation as Multiple PWM Output Function
(Output two types of PWMs)**



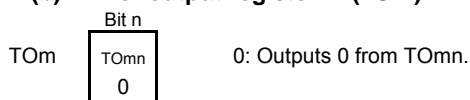
(Remarks are listed on the next page.)

- Remarks 1.** 144-pin products m: Unit number (m = 0 to 2), n: Master Channel number (n = 0, 2, 4)
100-pin, 80-pin, 64-pin, and 48-pin products m: Unit number (m = 0 and 1), n: Master Channel number (n = 0, 2, 4)
p: Slave channel number 1, q: Slave channel number 2
n < p < q ≤ 7 (Where p and q are integers greater than n)
- 2.** TS_{mn}, TS_{mp}, TS_{mq}: Bit n, p, q of timer channel start register m (T_Sm)
TE_{mn}, TE_{mp}, TE_{mq}: Bit n, p, q of timer channel enable status register m (T_Em)
TCR_{mn}, TCR_{mp}, TCR_{mq}: Timer count registers mn, mp, mq (TCR_{mn}, TCR_{mp}, TCR_{mq})
TDR_{mn}, TDR_{mp}, TDR_{mq}: Timer data registers mn, mp, mq (TDR_{mn}, TDR_{mp}, TDR_{mq})
TOM_n, TOM_p, TOM_q: TOM_n, TOM_p, and TOM_q pins output signal

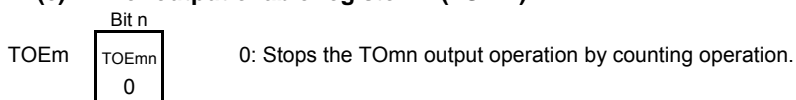
**Figure 6-81 Example of Set Contents of Registers
When Multiple PWM Output Function (Master Channel) Is Used**



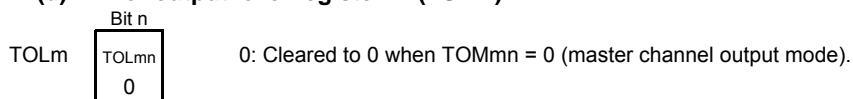
(b) Timer output register m (TOM)



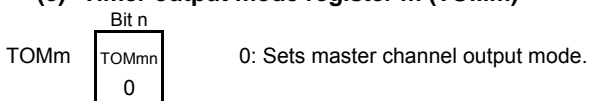
(c) Timer output enable register m (TOEm)



(d) Timer output level register m (TOLm)

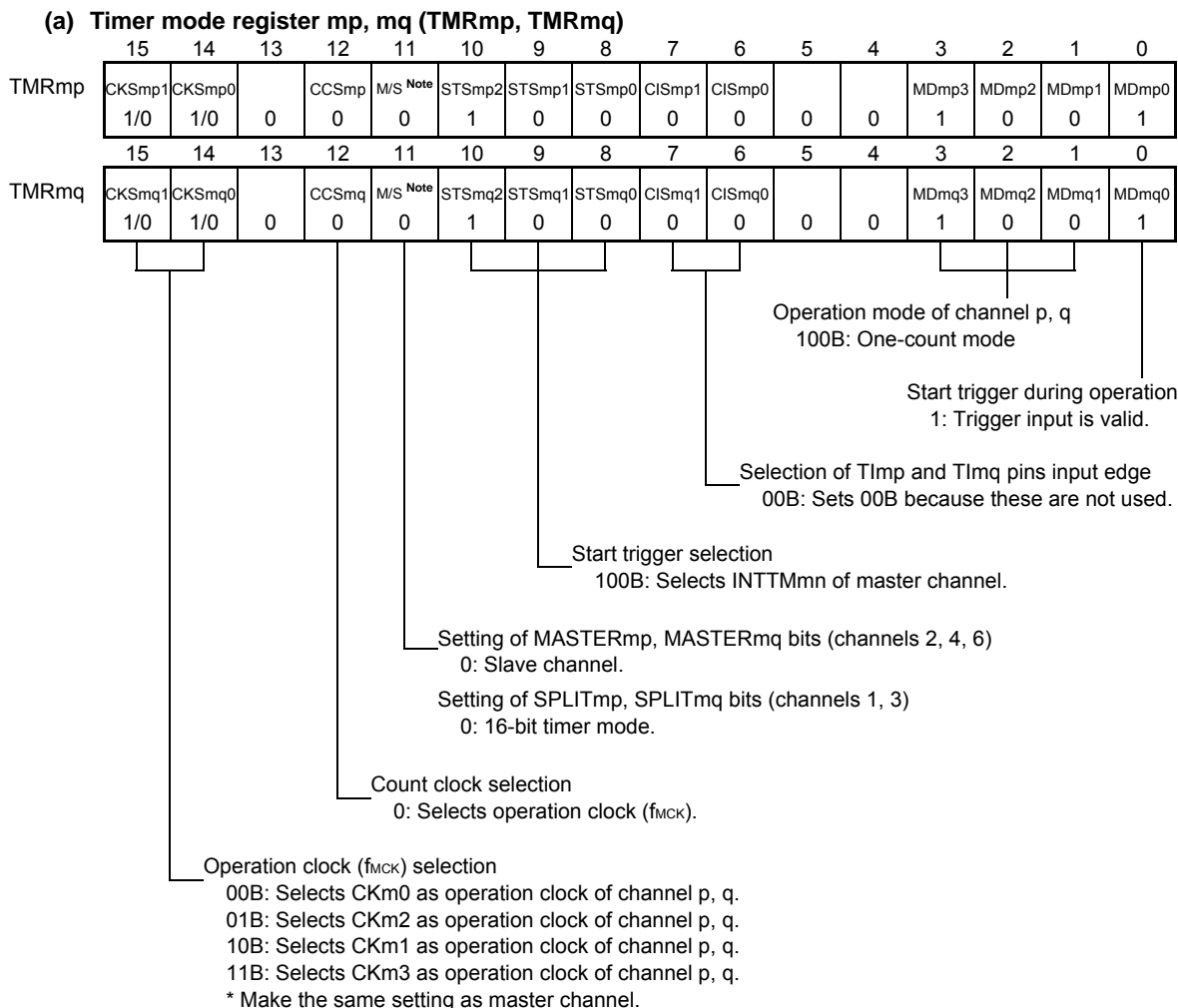


(e) Timer output mode register m (TOMm)



Remark 144-pin products m: Unit number (m = 0 to 2), n: Master Channel number (n = 0, 2, 4)
 100-pin, 80-pin, 64-pin, and 48-pin products m: Unit number (m = 0 and 1), n: Master Channel number (n = 0, 2, 4)

Figure 6-82 Example of Set Contents of Registers
When Multiple PWM Output Function (Slave Channel) Is Used (output two types of PWMs)



(b) Timer output register m (TOM)

	Bit q	Bit p	
TOM	TOM _q	TOM _p	
	1/0	1/0	0: Outputs 0 from TOM _p or TOM _q . 1: Outputs 1 from TOM _p or TOM _q .

(c) Timer output enable register m (TOEm)

	Bit q	Bit p	
TOEm	TOE _{mq}	TOE _{mp}	
	1/0	1/0	0: Stops the TOM _p or TOM _q output operation by counting operation. 1: Enables the TOM _p or TOM _q output operation by counting operation.

(d) Timer output level register m (TOLm)

	Bit q	Bit p	
TOLm	TOL _{mq}	TOL _{mp}	
	1/0	1/0	0: Positive logic output (active-high) 1: Negative logic output (active-low)

(e) Timer output mode register m (TOMm)

	Bit q	Bit p	
TOMm	TOM _{mq}	TOM _{mp}	
	1	1	1: Sets the slave channel output mode.

Note TMRm5, TMRm7: Fixed to 0
 TMRm1, TMRm3: SPLITmp, SPLITmq bit

(Remark is listed on the next page.)

Remark 144-pin products m: Unit number (m = 0 to 2), n: Master Channel number (n = 0, 2, 4)
100-pin, 80-pin, 64-pin, and 48-pin products m: Unit number (m = 0 and 1), n: Master Channel number (n = 0, 2, 4)
p: Slave channel number 1, q: Slave channel number 2
 $n < p < q \leq 7$ (Where p and q are integers greater than n)

**Figure 6-83 Operation Procedure When Multiple PWM Output Function Is Used (output two types of PWMs)
(1/2)**

	Software Operation	Hardware Status
TAU default setting		Power-off status (Clock supply is stopped and writing to each register is disabled.)
	Sets the TAUmEN bit of peripheral enable register 0 (PER0, PER1) to 1. →	Power-on status. Each channel stops operating. (Clock supply is started and writing to each register is enabled.)
	When TAU1 is used, TSEL0 bit of unit select register (UTSEL) is set to 0 in 144-pin products. When TAU2 is used, TSEL0 bit is set to 1. Determines clock frequencies of CKm0 to CKm3.	
Channel default setting	Sets timer mode registers mn, mp, mq (TMRmn, TMRmp, TMRmq) of each channel to be used (determines operation mode of channels). An interval (period) value is set to timer data register mn (TDRmn) of the master channel, and a duty factor is set to the TDRmp and TDRmq registers of the slave channels.	Channel stops operating. (Clock is supplied and some power is consumed.)
	Sets slave channels. The TOMmp and TOMmq bits of timer output mode register m (TOMm) are set to 1 (slave channel output mode). Clears the TOLmp and TOLmq bits to 0. Sets the TOmp and TOmq bits and determines default level of the TOmp and TOmq outputs. →	The TOmp and TOmq pins go into Hi-Z output state. The TOmp and TOmq default setting levels are output when the port mode register is in output mode and the port register is 0.
	Sets the TOEmp and TOEmq bits to 1 and enables operation of TOmp and TOmq. →	TOmp and TOmq do not change because channels stop operating.
	Clears the port register and port mode register to 0. →	The TOmp and TOmq pins output the TOmp and TOmq set levels.

(Remark is listed on the next page.)

**Figure 6-83 Operation Procedure When Multiple PWM Output Function Is Used (output two types of PWMs)
(2/2)**

	Software Operation	Hardware Status
Operation is resumed.	<p>Operation start</p> <p>(Sets the TOEmp and TOEmq (slave) bits to 1 only when resuming operation.) The TSmn bit (master), and TSmp and TSmq (slave) bits of timer channel start register m (TSm) are set to 1 at the same time. The TSmn, TSmp, and TSmq bits automatically return to 0 because they are trigger bits.</p>	<p>TEmn = 1, TEmq = 1</p> <p>When the master channel starts counting, INTTMmn is generated. Triggered by this interrupt, the slave channel also starts counting.</p>
	<p>During operation</p> <p>Set values of the TMRmn, TMRmp, TMRmq registers, TOMmn, TOMmp, TOMmq, TOLmn, TOLmp, and TOLmq bits cannot be changed. Set values of the TDRmn, TDRmp, and TDRmq registers can be changed after INTTMmn of the master channel is generated. The TCRmn, TCRmp, and TCRmq registers can always be read. The TSRmn, TSRmp, and TSRmq registers are not used.</p>	<p>The counter of the master channel loads the TDRmn register value to timer count register mn (TCRmn) and counts down. When the count value reaches TCRmn = 0000H, INTTMmn output is generated. At the same time, the value of the TDRmn register is loaded to the TCRmn register, and the counter starts counting down again. At the slave channel 1, the values of the TDRmp register are transferred to the TCRmp register, triggered by INTTMmn of the master channel, and the counter starts counting down. The output levels of TOmp become active one count clock after generation of the INTTMmn output from the master channel. It becomes inactive when TCRmp = 0000H, and the counting operation is stopped. At the slave channel 2, the values of the TDRmq register are transferred to TCRmq register, triggered by INTTMmn of the master channel, and the counter starts counting down. The output levels of TOMq become active one count clock after generation of the INTTMmn output from the master channel. It becomes inactive when TCRmq = 0000H, and the counting operation is stopped. After that, the above operation is repeated.</p>
	<p>Operation stop</p> <p>The TTmn bit (master), TTmp, and TTmq (slave) bits are set to 1 at the same time. The TTmn, TTmp, and TTmq bits automatically return to 0 because they are trigger bits.</p>	<p>TEmn, TEmq = 0, and count operation stops. The TCRmn, TCRmp, and TCRmq registers hold count value and stop. The TOmp and TOMq output are not initialized but hold current status.</p>
	<p>The TOEmp and TOEmq bits of slave channels are cleared to 0 and value is set to the TOmp and TOMq bits.</p>	<p>The TOmp and TOMq pins output the TOmp and TOMq set levels.</p>
TAU stop	<p>To hold the TOmp and TOMq pin output levels Clears the TOmp and TOMq bits to 0 after the value to be held is set to the port register. When holding the TOmp and TOMq pin output levels are not necessary Setting not required</p>	<p>The TOmp and TOMq pin output levels are held by port function.</p>
	<p>The TAUMEN bit of the PER0, PER1 register is cleared to 0.</p>	<p>Power-off status All circuits are initialized and SFR of each channel is also initialized. (The TOmp and TOMq bits are cleared to 0 and the TOmp and TOMq pins are set to port mode.)</p>

Remark 144-pin products m: Unit number (m = 0 to 2), n: Master Channel number (n = 0, 2, 4)
 100-pin, 80-pin, 64-pin, and 48-pin products m: Unit number (m = 0 and 1), n: Master Channel number (n = 0, 2, 4)
 p: Slave channel number 1, q: Slave channel number 2
 n < p < q ≤ 7 (Where p and q are a consecutive integer greater than n)

6.9 Cautions When Using Timer Array Unit

6.9.1 Cautions When Using Timer output

- (1) When the PCLK (not divided) is selected as the operating clock for the timer array unit and TDRnm (n = 0 to 2; m = 0 to 7) are set to 0000H, an interrupt signal from the timer array unit is fixed to high, and an interrupt request cannot be detected.
To use this setting, the interrupt function should be masked.
- (2) Do not change the input source for the timer set by the TIS0, TIS1, and TIS2 registers while the timer operates.

6.9.2 Caution for register access

The registers of timer array unit 1 or 2 must be accessed after pointing objective unit by unit select register (UTSEL) in 144-pin products.

CHAPTER 7 TIMER RJ

Timer RJ is a 16-bit timer that can be used for pulse output, external pulse width or period measurement, and counting external events.

7.1 Overview

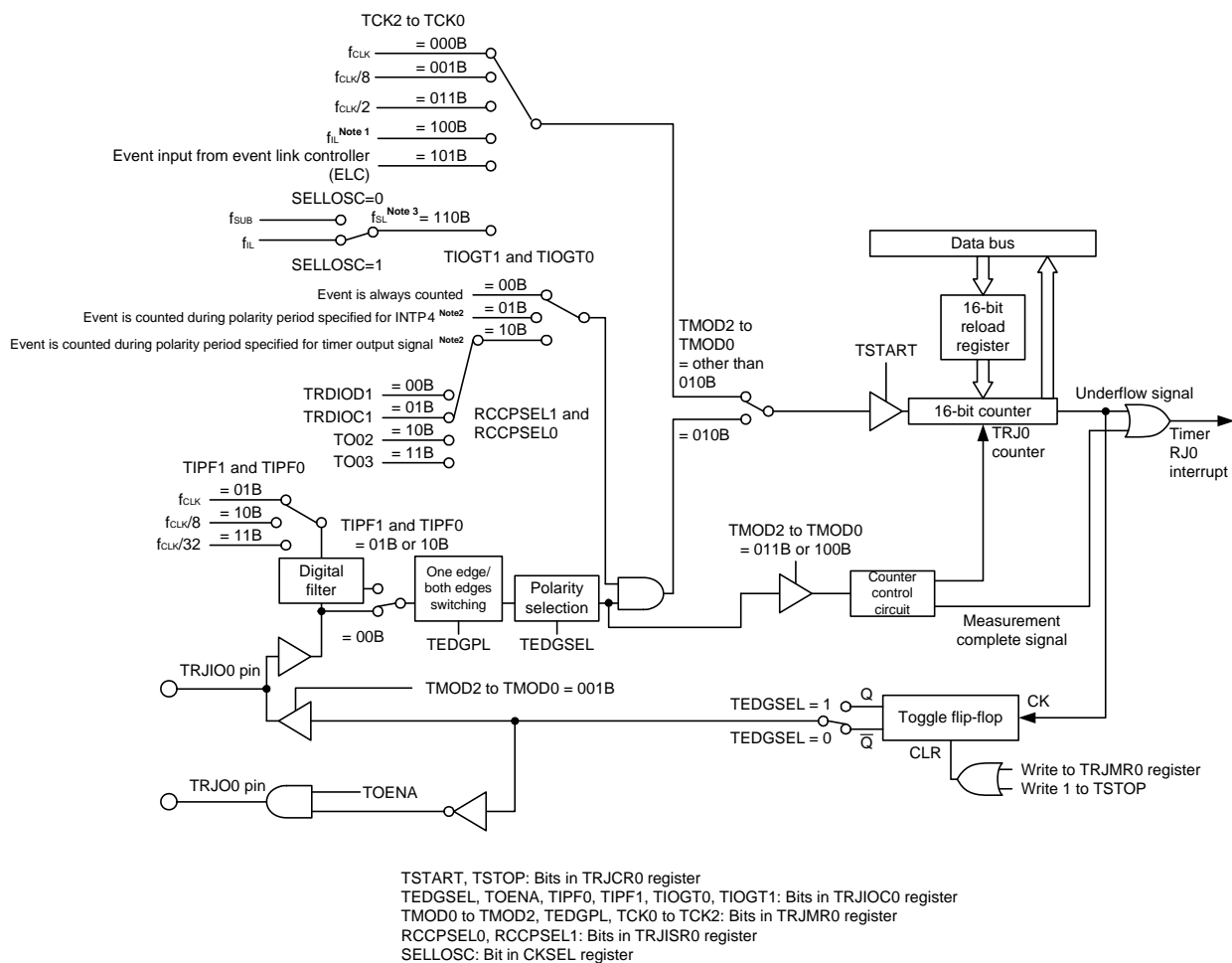
This 16-bit timer consists of a reload register and a down counter. The reload register and the down counter are allocated to the same address, and they can be accessed by accessing the TRJ0 register.

Table 7-1 lists the Timer RJ Specifications. Figure 7-1 shows the Timer RJ Block Diagram.

Table 7-1. Timer RJ Specifications

Item		Description
Operating modes	Timer mode	The count source is counted.
	Pulse output mode	The count source is counted and the output is inverted at each underflow of the timer.
	Event counter mode	An external event is counted. Operation is possible in STOP mode.
	Pulse width measurement mode	An external pulse width is measured.
	Pulse period measurement mode	An external pulse period is measured.
Count source (Operating clock)		f_{CLK} , $f_{CLK}/2$, $f_{CLK}/8$, f_{IL} , f_{SL} , or event input from the event link controller (ELC) selectable
Interrupt		<ul style="list-style-type: none"> • When the counter underflows. • When the measurement of the active width of the external input (TRJIO0) is completed in pulse width measurement mode. • When the set edge of the external input (TRJIO0) is input in pulse period measurement mode.
Selectable functions		<ul style="list-style-type: none"> • Coordination with the event link controller (ELC). Event input from the ELC is selectable as a count source.

Figure 7-1. Timer RJ Block Diagram



- Notes** 1. When selecting f_{IL} as the count source, set the WUTMMCK0 bit in the operation speed mode control register (OSMC) to 1.
- 2. The polarity can be selected by the RCCPSEL2 bit in the TRJISR0 register.
- 3. f_{SUB} cannot be selected as the count source for timer RJ when f_{SL} (f_{IL}) is selected as the count source for timer RD or the output clock for clock output/buzzer output.

7.2 I/O Pins

Table 7-2 lists the Timer RJ Pin Configuration.

Table 7-2. Timer RJ Pin Configuration

Pin Name	I/O	Function
INTP4	Input	External input for timer RJ
TRJIO0	Input/output	External event input and pulse output for timer RJ
TRJO0	Output	Pulse output for timer RJ

7.3 Registers

Table 7-3 lists the Timer RJ Register Configuration.

Table 7-3. Timer RJ Register Configuration

Register Name	Symbol	After Reset	Address	Access Size
Peripheral Enable Register 1	PER1	00H	F02C0H	1, 8
Operation speed mode control register	OSMC	00H	F00F3H	8
Clock select register ^{Note}	CKSEL	00H	F02C4H	1, 8
Timer RJ Counter Register 0	TRJ0	FFFFH	F06F0H	16
Timer RJ Control Register 0	TRJCR0	00H	F0240H	8
Timer RJ I/O Control Register 0	TRJIOC0	00H	F0241H	1, 8
Timer RJ Mode Register 0	TRJMR0	00H	F0242H	8
Timer RJ Event Pin Select Register 0	TRJISR0	00H	F0243H	8
Port Register 1	P1	00H	FFF01H	8
Port Register 4	P4	00H	FFF04H	8
Port Mode Register 1	PM1	FFH	FFF21H	8
Port Mode Register 4	PM4	FFH	FFF24H	8

Note When the TRJ0 register is accessed, the CPU does not proceed to the next instruction processing but enters the wait state for CPU processing. For this reason, if this wait state occurs, the number of instruction execution clocks is increased by the number of wait clocks. The number of wait clocks for access to the TRJ0 register is one clock for both writing and reading.

7.3.1 Peripheral enable register 1 (PER1)

The PER1 register is used to enable or disable supplying the clock to the peripheral hardware. Clock supply to the hardware that is not used is also stopped so as to decrease the power consumption and noise.

To use Timer RJ, be sure to set bit 0 (TRJ0EN) to 1.

Set the PER1 register by a 1-bit or 8-bit memory manipulation instruction.

Reset signal generation clears this register to 00H.

Figure 7-2. Format of Peripheral Enable Register 1 (PER1)

Address: F02C0H After reset: 00H R/W

Symbol	<7>	6	<5>	<4>	<3>	<2>	<1>	<0>
PER1	DACEN	0	CMPEN	TRD0EN	DTCEN	TAU2EN	SAU2EN	TRJ0EN

TRJ0EN	Control of timer RJ0 input clock supply
0	Stops input clock supply. <ul style="list-style-type: none"> • SFR used by timer RJ0 cannot be written. • Timer RJ0 is in the reset status.
1	Enables input clock supply. <ul style="list-style-type: none"> • SFR used by timer RJ0 can be read and written.

- Cautions**
1. When setting timer RJ, be sure to set the TRJ0EN bit to 1 first. If TRJ0EN = 0, writing to a control register of timer RJ is ignored, and all read values are default values (except for port mode registers 1, 4 (PM1, PM4) and port registers 1, 4 (P1, P4)).
 2. Be sure to set bits 6 to 0:

7.3.2 Operation speed mode control register (OSMC)

The low-speed on-chip oscillator can be operated by setting the WUTMMCK0 bit in the OSMC register.

To select the low-speed on-chip oscillator as the count source of the timer RJ, set the bits TCK2 to TCK0 in the timer RJ mode register 0 (TRJMR0).

The RTCLPC bit is used to reduce power consumption by stopping unnecessary clock functions.

For the setting of the RTCLPC bit, see **CHAPTER 5 CLOCK GENERATOR**.

Set the OSMC register by an 8-bit memory manipulation instruction.

Reset signal generation clears this register to 00H.

Figure 7-3. Format of Operation Speed Mode Control Register (OSMC)

Address: F00F3H After reset: 00H R/W

Symbol	7	6	5	4	3	2	1	0
OSMC	RTCLPC	0	0	WUTMMCK0	0	0	0	0

WUTMMCK0	Low-speed on-chip oscillator operation control
0	Low-speed on-chip oscillator operating
1	Low-speed on-chip oscillator stopped

7.3.3 Clock Select Register (CKSEL)

This register is used to select the CPU clock (f_{SUB}/f_{IL}) the clocks for the timer RJ, timer RD, and clock output/buzzer output. Together with the CMC register, the SELLOSC bit is used to set the operation mode of the subsystem clock.

For details, see **Figure 5-3 Format of Clock Operation Mode Control Register (CMC)**.

Set the CKSEL register by a 1-bit or 8-bit memory manipulation instruction.

Writing to the CKSEL register is disabled when the GCSC bit of the IAWCTL register is set to 1.

Figure 7-4. Format of Clock Select Register (CKSEL)

Address: F02C4H After reset: 00H R/W

Symbol	7	6	5	4	3	<2>	1	<0>
CKSEL	0	0	0	0	0	TRD_CKS EL	0	SELLOSC Note 3

SELLOSC Notes 3	Control of sub/low-speed on-chip oscillator selection clock (f _{SL}) selection
0	Selects f_{SUB} Note 1
1	Selects f_{IL} Note 2

- Notes**
1. When setting f_{SUB} as the CPU/peripheral hardware clock, first set the SELLOSC bit to 0 and then set the CSS bit in the CKC register to 1.
 2. When setting f_{IL} as the CPU/peripheral hardware clock, first set the SELLOSC bit to 1 and then set the CSS bit in the CKC register to 1.
 3. When the SELLOSC bit is set to 1, the low-speed on-chip oscillator operates.

7.3.4 Timer RJ Counter Register 0 (TRJ0), Timer RJ Reload Register

TRJ0 is a 16-bit register. The write value is written to the reload register and the read value is read from the counter.

The states of the reload register and the counter are changed depending on the TSTART bit in the TRJCR0 register.

For details, see **7. 4. 1 Reload Register and Counter Rewrite Operation.**

Figure 7-5. Format of Timer RJ Counter Register 0 (TRJ0), Timer RJ Reload Register

Address : F06F0H After Reset: FFFFH

Symbol	15	14	13	12	11	10	9	8	7	6	5	4	3	2	1	0
TRJ0	—	—	—	—	—	—	—	—	—	—	—	—	—	—	—	—

—	Function	Setting Range	R/W
Bits 15 to 0	16-bit counter and reload register ^{Notes 1, 2, 3}	0000H to FFFFH	R/W

- Notes**
- When 1 is written to the TSTOP bit in the TRJCR0 register, the 16-bit counter is forcibly stopped and set to FFFFH.
 - The TRJ0 register must be accessed in 16-bit units. Do not access this register in 8-bit units.
 - When the setting of bits TCK2 to TCK0 in the TRJMR0 register is other than 001B ($f_{CLK}/8$) or 011B ($f_{CLK}/2$), if the TRJ0 register is set to 0000H, a request signal to the data transfer controller (DTC) and the event link controller (ELC) is generated only once immediately after the count starts. However, the TRJ00 and TRJIO0 output is toggled.

When the TRJ0 register is set to 0000H in event counter mode, regardless of the value of bits TCK2 to TCK0, a request signal to the DTC, ELC, and interrupt functions is generated only once immediately after the count starts. In addition, the TRJ00 output is toggled even during a period other than the specified count period.

When the TRJ0 register is set to 0000H or a higher value, a request signal is generated each time TRJ underflows.

Caution When the TRJ0 register is accessed, the CPU does not proceed to the next instruction processing but enters the wait state for CPU processing. For this reason, if this wait state occurs, the number of instruction execution clocks is increased by the number of wait clocks. The number of wait clocks for access to the TRJ0 register is one clock for both writing and reading.

7.3.5 Timer RJ Control Register 0 (TRJCR0)

Figure 7-6. Format of Timer RJ Control Register 0 (TRJCR0)

Address : F0240H After Reset: 00H

Symbol	7	6	5	4	3	2	1	0
TRJCR0	—	—	TUNDF	TEDGF	—	TSTOP	TCSTF	TSTART

Bits 7 to 6	Nothing is assigned	R/W
—	The write value must be 0. The read value is 0.	R

TUNDF	Timer RJ underflow flag ^{Note 1}	R/W
0	No underflow	R/W
1	Underflow	
[Condition for setting to 0] • When 0 is written to this bit by a program. [Condition for setting to 1] • When the counter underflows.		

TEDGF	Active edge judgment flag ^{Note 1}	R/W
0	No active edge received	R/W
1	Active edge received	
[Condition for setting to 0] • When 0 is written to this bit by a program. [Conditions for setting to 1] • When the measurement of the active width of the external input (TRJIO0) is completed in pulse width measurement mode. • The set edge of the external input (TRJIO0) is input in pulse period measurement mode.		

Bit 3	Nothing is assigned	R/W
—	The write value must be 0. The read value is 0.	R

TSTOP	Timer RJ count forced stop ^{Note 2}	R/W
When 1 is written to this bit, the count is forcibly stopped. The read value is 0.		W

TCSTF	Timer RJ count status flag ^{Note 3}	R/W
0	Count stops	R
1	Count in progress	
[Conditions for setting to 0] • When 0 is written to the TSTART bit (the TCSTF bit is set to 0 in synchronization with the count source). • When 1 is written to the TSTOP bit. [Condition for setting to 1] • When 1 is written to the TSTART bit (the TCSTF bit is set to 1 in synchronization with the count source).		

(Notes are listed on the next page.)

TSTART	Timer RJ count start ^{Note 3}	R/W
0	Count stops	R/W
1	Count starts	

Count operation is started by writing 1 to the TSTART bit and stopped by writing 0. When the TSTART bit is set to 1 (count starts), the TCSTF bit is set to 1 (count in progress) in synchronization with the count source. Also, after 0 is written to the TSTART bit, the TCSTF bit is set to 0 (count stops) in synchronization with the count source. For details, see **7. 5. 1 Count Operation Start and Stop Control**.

- Notes**
1. Set the TRJCR0 register by an 8-bit memory manipulation instruction.
 2. When 1 (count is forcibly stopped) is written to the TSTOP bit, bits TSTART and TCSTF are initialized at the same time. The pulse output level is also initialized.
 3. For notes on using bits TSTART and TCSTF, see **7. 5. 1 Count Operation Start and Stop Control**.

7.3.6 Timer RJ I/O Control Register 0 (TRJIOC0)

Figure 7-7. Format of Timer RJ I/O Control Register 0 (TRJIOC0)

Address : F0241H After Reset: 00H

Symbol	7	6	5	4	3	2	1	0
TRJIOC0	TIOGT1	TIOGT0	TIPF1	TIPF0	—	TOENA	—	TEDGSEL

TIOGT1	TIOGT0	TRJIOC0 count control Notes 1, 2	R/W
0	0	Event is always counted	R/W
0	1	Event is counted during polarity period specified for INTP4	
1	0	Event is counted during polarity period specified for timer output signal	
1	1	Do not set.	

- Notes 1.** When INTP4 or the timer output signal is used, the polarity to count an event can be selected by the RCCPSEL2 bit in the TRJISR0 register.
- 2.** Bits TIOGT0 and TIOGT1 are enabled only in event counter mode.

TIPF1	TIPF0	TRJIOC0 input filter select	R/W
0	0	No filter	R/W
0	1	Filter sampled at f_{CLK}	
1	0	Filter sampled at $f_{CLK}/8$	
1	1	Filter sampled at $f_{CLK}/32$	
These bits are used to specify the sampling frequency of the filter for the TRJIOC0 input. If the input to the TRJIOC0 pin is sampled and the value matches three successive times, that value is taken as the input value.			

Bit 3	Nothing is assigned	R/W
—	The write value must be 0. The read value is 0.	R

TOENA	TRJIOC0 output enable	R/W
0	TRJIOC0 output disabled (port)	R/W
1	TRJIOC0 output enabled	

Bit 1	Nothing is assigned	R/W
—	The write value must be 0. The read value is 0.	R

TEDGSEL	I/O polarity switch	R/W
Function varies depending on the operating mode (see Table 7-4 and Table 7-5). The TEDGSEL bit is used to switch the TRJIOC0 output polarity and the TRJIOC0 I/O edge and polarity. In pulse output mode, only the inversion/non-inversion of toggle flip-flop is controlled. The toggle flip-flop is initialized when the TRJMR0 register is written or 1 is written to the TSTOP bit in the TRJCR0 register.		R/W

Table 7-4. TRJIO0 I/O Edge and Polarity Switching

Operating Mode	Function
Timer mode	Not used (I/O port)
Pulse output mode	0: Output is started at high (Initialization level: High) 1: Output is started at low (Initialization level: Low)
Event counter mode	0: Count at rising edge 1: Count at falling edge
Pulse width measurement mode	0: Low-level width is measured 1: High-level width is measured
Pulse period measurement mode	0: Measure from one rising edge to the next rising edge 1: Measure from one falling edge to the next falling edge

Table 7-5. TRJ00 Output Polarity Switching

Operating Mode	Function
All modes	0: Output is started at low (Initialization level: Low) 1: Output is started at high (Initialization level: High)

7.3.7 Timer RJ Mode Register 0 (TRJMR0)

Figure 7-8. Format of Timer RJ Mode Register 0 (TRJMR0)

Address : F0242H After Reset: 00H

Symbol	7	6	5	4	3	2	1	0
TRJMR0	—	TCK2	TCK1	TCK0	TEDGPL	TMOD2	TMOD1	TMOD0

Bit 7	Nothing is assigned	R/W
—	The write value must be 0. The read value is 0.	R

TCK2	TCK1	TCK0	Timer RJ count source select ^{Notes 1, 2}	R/W
0	0	0	f _{CLK}	R/W
0	0	1	f _{CLK} /8	
0	1	1	f _{CLK} /2	
1	0	0	f _{IL} ^{Note 4}	
1	0	1	Event input from event link controller (ELC)	
1	1	0	f _{SL}	
Other than above			Setting prohibited	

TEDGPL	TRJIO0 edge polarity select ^{Note 5}	R/W
0	One edge	R/W
1	Both edges	

TMOD2	TMOD1	TMOD0	Timer RJ operating mode select ^{Note 3}	R/W
0	0	0	Timer mode	R/W
0	0	1	Pulse output mode	
0	1	0	Event counter mode	
0	1	1	Pulse width measurement mode	
1	0	0	Pulse period measurement mode	
Other than above			Setting prohibited	

- Notes 1.** When event counter mode is selected, the external input (TRJIO0) is selected as the count source regardless of the setting of bits TCK0 to TCK2.
- 2.** Do not switch count sources during count operation. When switching count sources, set the TSTART and TCSTF bits in the TRJCR0 register to 0 (count stops).
- 3.** The operating mode can be changed only when the count is stopped while both the bits TSTART and TCSTF in the TRJCR0 register are set to 0 (count stops). Do not change the operating mode during count operation.
- 4.** When selecting f_{IL} as the count source, set the WUTMMCK0 bit in the operation speed mode register (OSMC) to 1.
However, f_{SUB} cannot be selected as the count source for timer RJ when the SELLOSC bit in the CKSEL register is set to 1.
- 5.** The TEDGPL bit is enabled only in event counter mode.

Caution Write access to the TRJMR0 register initializes the output from pins TRJO0 and TRJIO0 of timer RJ. For details on the output level at initialization, refer to the description shown below Figure 7-7 Format of Timer RJ I/O Control Register 0 (TRJIOC0).

7.3.8 Timer RJ Event Pin Select Register 0 (TRJISR0)

Figure 7-9. Format of Timer RJ Event Pin Select Register 0 (TRJISR0)

Address : F0243H After Reset: 00H

Symbol	7	6	5	4	3	2	1	0
TRJISR0	—	—	—	—	—	RCCPSEL2 Note	RCCPSEL1 Note	RCCPSEL0 Note
Bit 7 to 3	Nothing is assigned							R/W
—	The write value must be 0. The read value is 0.							R
RCCPS EL2	Timer output signal and INTP4 polarity selection							R/W
0	An event is counted during the low-level period							R/W
1	An event is counted during the high-level period							
RCCPS EL1	RCCPS EL0	Timer output signal selection					R/W	
0	0	TRDIOD1					R/W	
0	1	TRDIOC1						
1	0	TO02						
1	1	TO03						

Note Bits RCCPSEL0 to RCCPSEL2 are enabled only in event counter mode.

7.3.9 Port mode registers 1, 4 (PM1, PM4)

These registers set input/output of ports 1 and 4 in 1-bit units.

When using the ports (such as P41/TRJIO0 and P10/TRJO0) to be shared with the timer output pin for timer output, set the port mode register (PMxx) bit and the port register (Pxx) bit corresponding to each port to 0.

Example: When using P41/TRJIO0 for timer output

Set the PM41 bit of port mode register 4 to 0.

Set the P41 bit of port register 4 to 0.

When using the ports (such as P41/TRJIO0) to be shared with the timer input pin for timer input, set the port mode register (PMxx) bit corresponding to each port to 1. At this time, the port register (Pxx) bit may be 0 or 1.

Example: When using P41/TRJIO0 for timer input

Set the PM41 bit of port mode register 4 to 1.

Set the P41 bit of port register 4 to 1.

The PM1 and PM4 registers can be set by a 1-bit or 8-bit memory manipulation instruction.

Reset signal generation sets these registers to FFH.

Figure 7-10. Format of Port Mode Registers 1, 4 (PM1, PM4)

Address: FFF21H After reset: FFH R/W

Symbol	7	6	5	4	3	2	1	0
PM1	PM17	PM16	PM15	PM14	PM13	PM12	PM11	PM10

Address: FFF24H After reset: FFH R/W

Symbol	7	6	5	4	3	2	1	0
PM4	PM47	PM46	PM45	PM44	PM43	PM42	PM41	PM40

PMmn	Pmn pin I/O mode selection (m = 1, 4 ; n = 0 to 7)
0	Output mode (output buffer on)
1	Input mode (output buffer off)

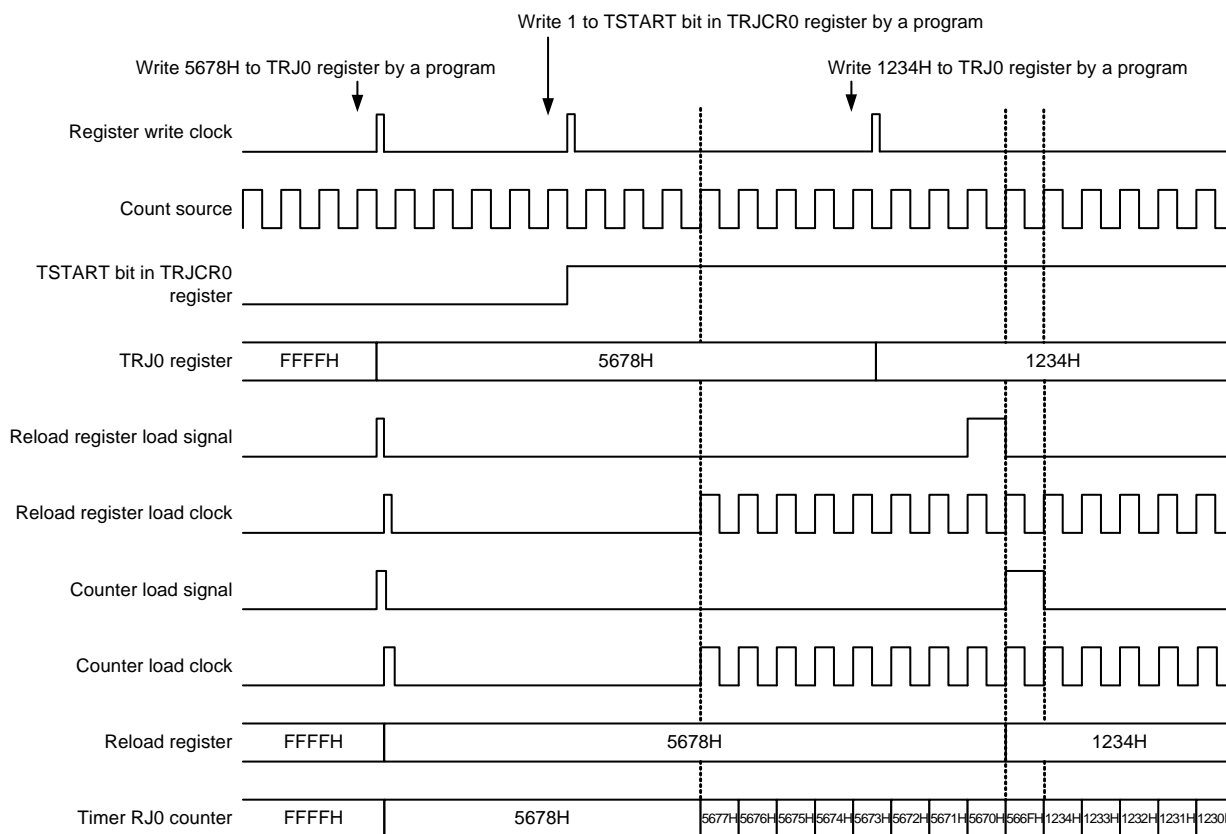
7.4 Operation

7.4.1 Reload Register and Counter Rewrite Operation

Regardless of the operating mode, the timing of the rewrite operation to the reload register and the counter differs depending on the value in the TSTART bit in the TRJCR0 register. When the TSTART bit is 0 (count stops), the count value is directly written to the reload register and the counter. When the TSTART bit is 1 (count starts), the value is written to the reload register in synchronization with the count source, and then to the counter in synchronization with the next count source.

Figure 7-11 shows the Timing of Rewrite Operation with TSTART Bit Value.

Figure 7-11. Timing of Rewrite Operation with TSTART Bit Value



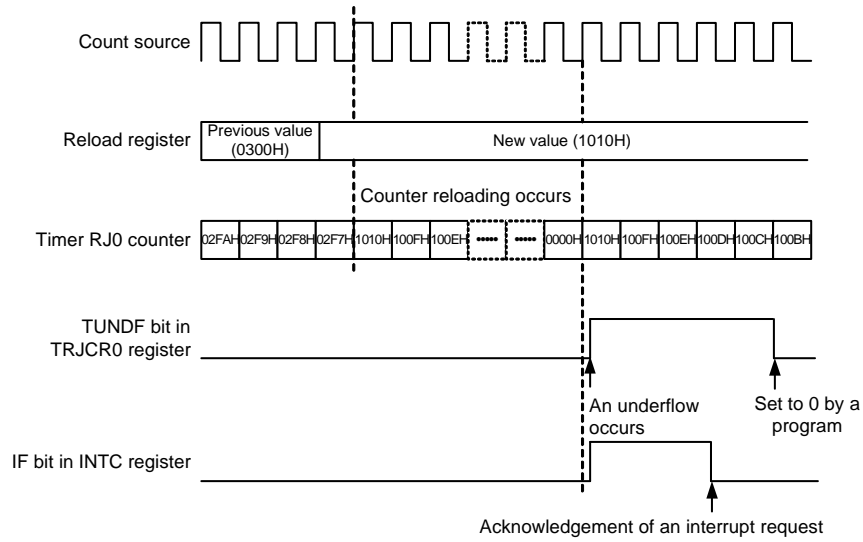
7.4.2 Timer Mode

In this mode, the counter is decremented by the count source selected by bits TCK0 to TCK2 in the TRJMR0 register.

In timer mode, the count value is decremented by 1 each time the count source is input. When the count value reaches 0000H and the next count source is input, an underflow occurs and an interrupt request is generated.

Figure 7-12 shows the Operation Example in Timer Mode.

Figure 7-12. Operation Example in Timer Mode



7.4.3 Pulse Output Mode

In this mode, the counter is decremented by the count source selected by bits TCK0 to TCK2 in the TRJMR0 register, and the output level of pins TRJIO0 and TRJO0 pin is inverted each time an underflow occurs.

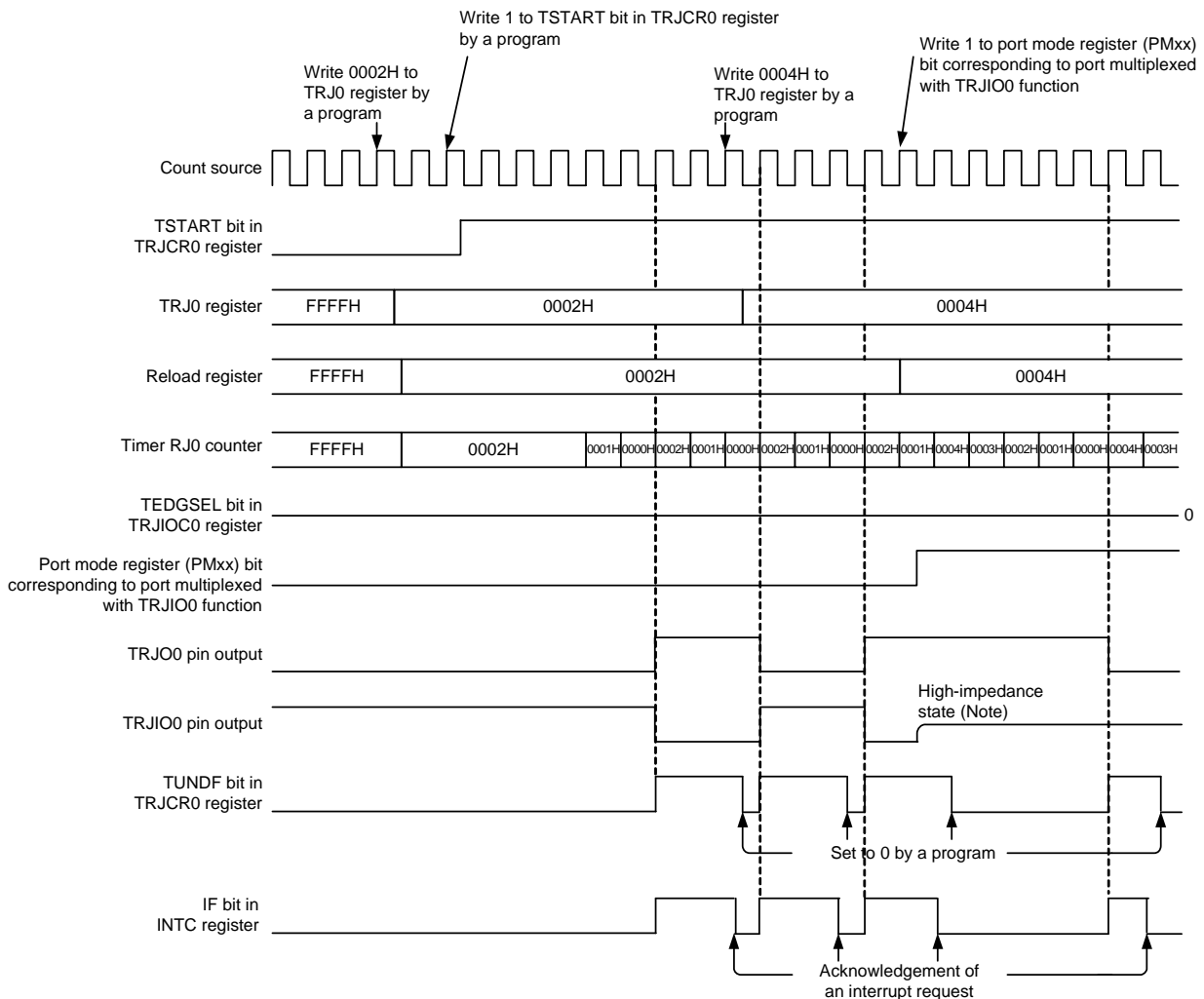
In pulse output mode, the count value is decremented by 1 each time the count source is input. When the count value reaches 0000H and the next count source is input, an underflow occurs and an interrupt request is generated.

In addition, a pulse can be output from pins TRJIO0 and TRJO0. The output level is inverted each time an underflow occurs. The pulse output from the TRJO0 pin can be stopped by the TOENA bit in the TRJIOC0 register.

Also, the output level can be selected by the TEDGSEL bit in the TRJIOC0 register.

Figure 7-13 shows the Operation Example in Pulse Output Mode.

Figure 7-13. Operation Example in Pulse Output Mode



Note The TRJIO0 pin becomes high impedance by output enable control on the port selected as the TRJIO0 function.

7.4.4 Event Counter Mode

In this mode, the counter is decremented by an external event signal (count source) input to the TRJIO0 pin. Various periods for counting events can be set by bits TIOGT0 and TIOGT1 in the TRJIOC0 register and the TRJISR0 register. In addition, the filter function for the TRJIO0 input can be specified by bits TIPF0 and TIPF1 in the TRJIOC0 register.

Also, the output from the TRJO0 pin can be toggled even in event counter mode.

When event counter mode is used, see **7. 5. 5 Procedure for Setting Pins TRJO0 and TRJIO0.**

Figure 7-14 shows the Operation Example in Event Counter Mode.

Figure 7-14. Operation Example 1 in Event Counter Mode

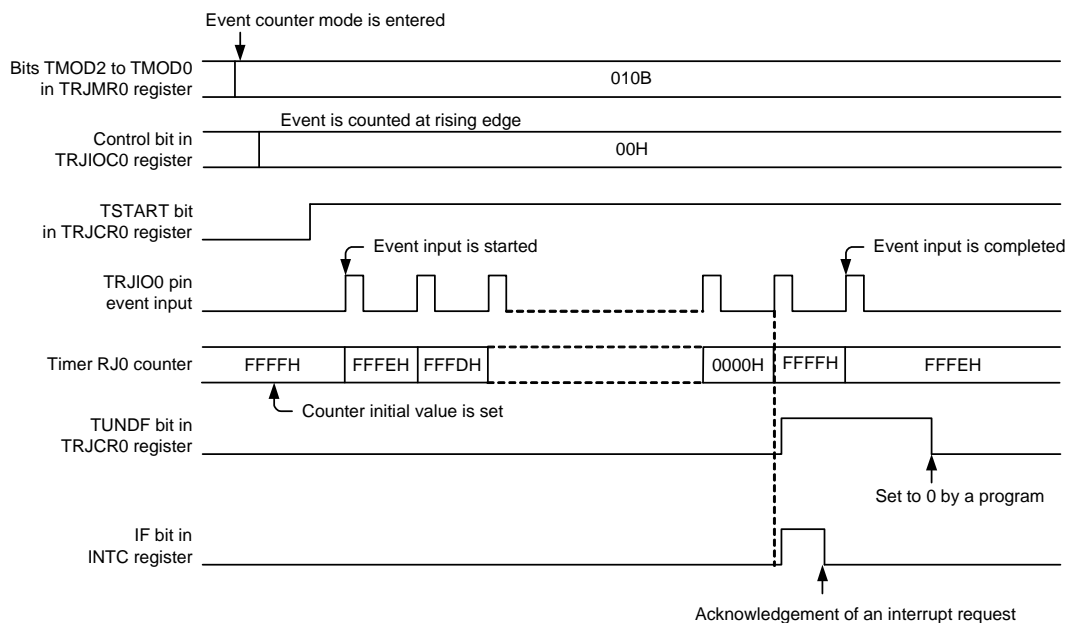
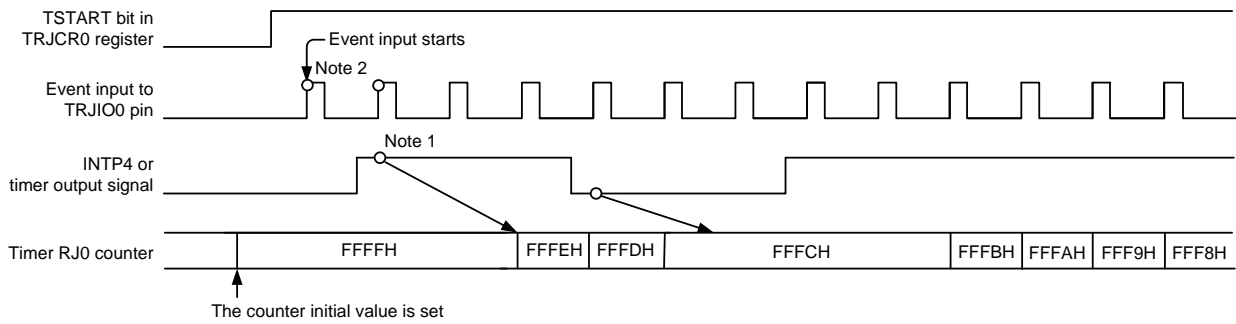


Figure 7-15 shows an operation example for counting during the specified period in event counter mode (bits TIOGT1 and TIOGT0 in the TRJIOC0 register are set to 01B or 10B).

Figure 7-15. Operation Example 2 in Event Counter Mode

Timing example when the setting of operating mode is as follows:
 TRJMR0 register: TMOD2, 1, 0 = 010B (event counter mode)
 TRJIOC0 register: TIOGT1, 0 = 01B (event is counted during specified period for external interrupt pin)
 TIPF1, 0 = 00B (no filter)
 TEDGSEL = 0 (count at rising edge)
 TRJISR0 register: RCCPSEL2 = 1 (high-level period is counted)



The following notes apply only when bits TIOGT1 and TIOGT0 in the TRJIOC0 register are 01B or 10B for the setting of operating mode in event count mode.

- Notes 1.** To control synchronization, there is a delay of two cycles of the count source until count operation is affected.
- 2.** Count operation may be performed for two cycles of the count source immediately after the count is started, depending on the previous state before the count is stopped.
 To disable the count for two cycles immediately after the count is started, write 1 to the TSTOP bit in the TRJCR0 register to initialize the internal circuit, and then make operation settings before starting count operation.

7.4.5 Pulse Width Measurement Mode

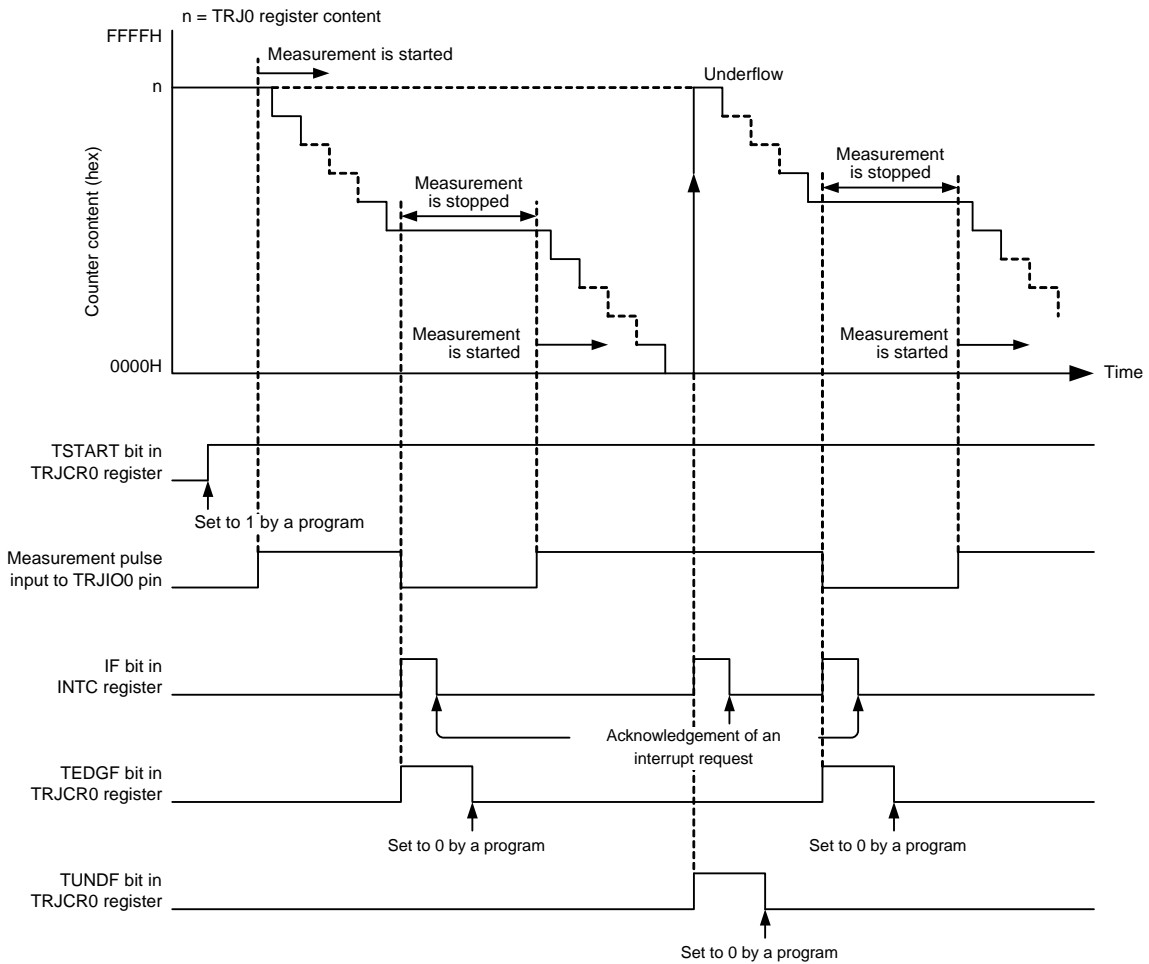
In this mode, the pulse width of an external signal input to the TRJIO0 pin is measured. When the level specified by the TEDGSEL bit in the TRJIOC0 register is input to the TRJIO0 pin, the decrement is started with the selected count source. When the specified level on the TRJIO0 pin ends, the counter is stopped, the TEDGF bit in the TRJCR0 register is set to 1 (active edge received), and an interrupt request is generated. The measurement of pulse width data is performed by reading the count value while the counter is stopped. Also, when the counter underflows during measurement, the TUNDF bit in the TRJCR0 register is set to 1 (underflow) and an interrupt request is generated.

Figure 7-16 shows the Operation Example in Pulse Width Measurement Mode.

When accessing bits TEDGF and TUNDF in the TRJCR0 register, see **7. 5. 2 Access to Flags (Bits TEDGF and TUNDF in TRJCR0 Register)**.

Figure 7-16. Operation Example in Pulse Width Measurement Mode

This example applies when the high-level width of the measurement pulse is measured (TEDGSEL bit in TRJIOC0 register = 1)



7.4.6 Pulse Period Measurement Mode

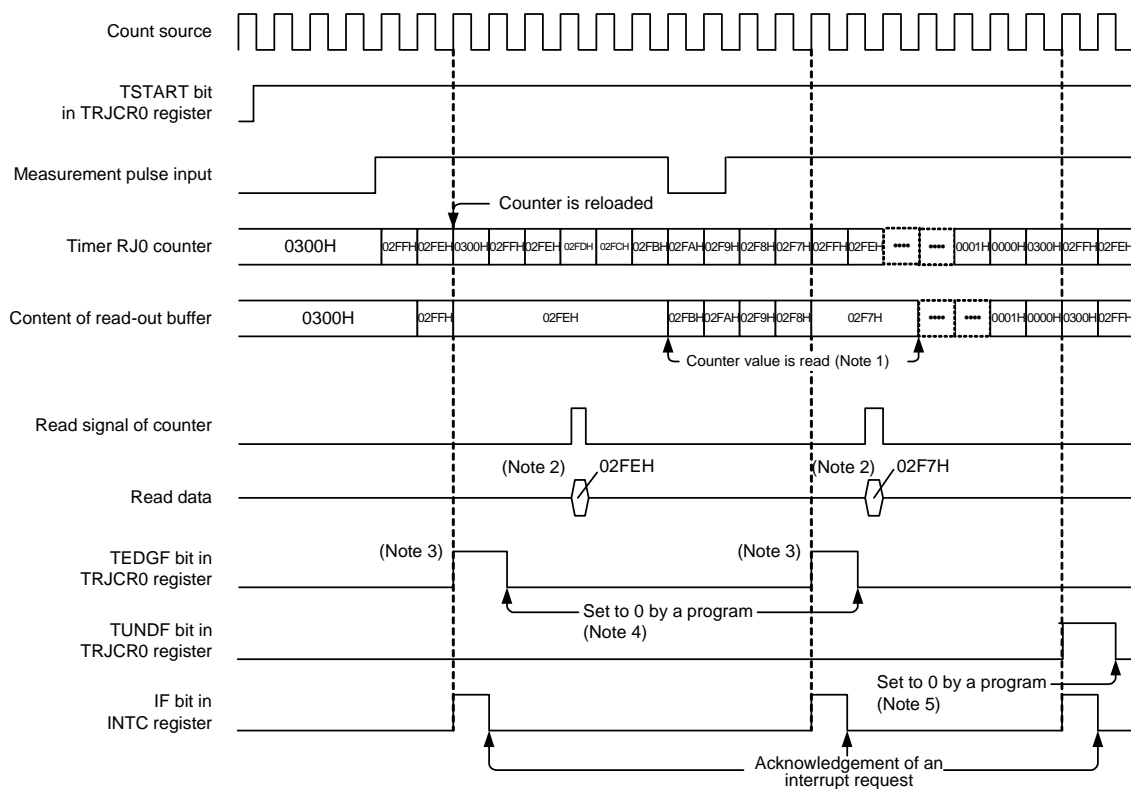
In this mode, the pulse period of an external signal input to the TRJIO0 pin is measured.

The counter is decremented by the count source selected by bits TCK0 to TCK2 in the TRJMR0 register. When a pulse with the period specified by the TEDGSEL bit in the TRJIOC0 register is input to the TRJIO0 pin, the count value is transferred to the read-out buffer at the rising edge of the count source. The value in the reload register is loaded to the counter at the next rising edge. Simultaneously, the TEDGF bit in the TRJCR0 register is set to 1 (active edge received) and an interrupt request is generated. The read-out buffer (TRJ0 register) is read at this time and the difference from the reload value is the period data of the input pulse. The period data is retained until the read-out buffer is read. When the counter underflows, the TUNDF bit in the TRJCR0 register is set to 1 (underflow) and an interrupt request is generated.

Figure 7-17 shows the Operation Example in Pulse Period Measurement Mode.

Only input pulses with a period longer than twice the period of the count source. Also, the low-level and high-level widths must be both longer than the period of the count source. If a pulse period shorter than these conditions is input, the input may be ignored.

Figure 7-17. Operation Example in Pulse Period Measurement Mode



This example applies when the initial value of the TRJ0 register is set to 0300H, the TEDGSEL bit in the TRJIOC0 register is set to 0, and the period from one rising edge to the next edge of the measurement pulse is measured.

Notes:

1. Reading from the TRJ0 register must be performed during the period from when the TEDGF bit is set to 1 (active edge received) until the next active edge is input. The content of the read-out buffer is retained until the TRJ0 register is read. If it is not read before the active edge is input, the measurement result of the previous period is retained.
2. When the TRJ0 register is read in pulse period measurement mode, the content of the read-out buffer is read.
3. When the active edge of the measurement pulse is input and then the set edge of an external pulse is input, the TEDGF bit in the TRJCR0 register is set to 1 (active edge received).
4. To set to 0 by a program, write 0 to the TEDGF bit in the TRJCR0 register using an 8-bit memory manipulation instruction.
5. To set to 0 by a program, write 0 to the TUNDF bit in the TRJCR0 register using an 8-bit memory manipulation instruction.

7.4.7 Coordination with Event Link Controller (ELC)

Through coordination with the ELC, event input from the ELC can be set to be the count source. Bits TCK0 to TCK2 in the TRJMR0 register count at the rising edge of event input from the ELC. However, ELC input does not function in event counter mode.

The ELC setting procedure is shown below:

- Procedure for starting operation
 - (1) Set the event output destination select register (ELSELRn) for the event link controller (ELC).
 - (2) Set the operating mode for the event generation source.
 - (3) Set the mode for timer RJ.
 - (4) Start the count operation of timer RJ.
 - (5) Start the operation of the event generation source.
- Procedure for stopping operation
 - (1) Stop the operation of the event generation source.
 - (2) Stop the count operation of timer RJ.
 - (3) Set the event output destination select register (ELSELRn) for the event link controller (ELC) to 0.

7.4.8 Output Settings for Each Mode

Table 7-6 and Table 7-7 list the states of pins TRJO0 and TRJIO0 in each mode.

Table 7-6. TRJO0 Pin Setting

Operating Mode	TRJIOC0 Register		TRJO0 Pin Output
	TOENA Bit	TEDGSEL Bit	
All modes	1	1	Inverted output
		0	Normal output
	0	0 or 1	Output disabled

Table 7-7. TRJIO0 Pin Setting

Operating Mode	TRJIOC0 Register		TRJIO0 Pin I/O
	PMXX Bit ^{Note}	TEDGSEL Bit	
Timer mode	0 or 1	0 or 1	Input (Not used)
Pulse output mode	1	0 or 1	Output disabled (Hi-z output)
		1	Normal output
	0	0	Inverted output
Event counter mode	1	0 or 1	Input
Pulse width measurement mode			
Pulse period measurement mode			

Note The port mode register (PMxx) bit corresponding to port multiplexed with TRJIO0 function.

7.5 Notes on Timer RJ

7.5.1 Count Operation Start and Stop Control

- When event counter mode is set or the count source is set to other than the ELC

After 1 (count starts) is written to the TSTART bit in the TRJCR0 register while the count is stopped, the TCSTF bit in the TRJCR0 register remains 0 (count stops) for three cycles of the count source. Do not access the registers associated with timer RJ ^{Note} other than the TCSTF bit until this bit is set to 1 (count in progress).

After 0 (count stops) is written to the TSTART bit during a count operation, the TCSTF bit remains 1 for three cycles of the count source. When the TCSTF bit is set to 0, the count is stopped. Do not access the registers associated with timer RJ ^{Note} other than the TCSTF bit until this bit is set to 0.

Clear the interrupt register before changing the TSTART bit from 0 to 1. Refer to **CHAPTER 22 INTERRUPT FUNCTIONS** for details.

Note Registers associated with timer RJ: TRJ0, TRJCR0, TRJIOC0, TRJMR0, and TRJISR0

- When event counter mode is set or the count source is set to the ELC

After 1 (count starts) is written to the TSTART bit in the TRJCR0 register while the count is stopped, the TCSTF bit in the TRJCR0 register remains 0 (count stops) for two cycles of the CPU clock. Do not access the registers associated with timer RJ ^{Note} other than the TCSTF bit until this bit is set to 1 (count in progress).

After 0 (count stops) is written to the TSTART bit during a count operation, the TCSTF bit remains 1 for two cycles of the CPU clock. When the TCSTF bit is set to 0, the count is stopped. Do not access the registers associated with timer RJ ^{Note} other than the TCSTF bit until this bit is set to 0.

Clear the interrupt register before changing the TSTART bit from 0 to 1. Refer to **CHAPTER 22 INTERRUPT FUNCTIONS** for details.

Note Registers associated with timer RJ: TRJ0, TRJCR0, TRJIOC0, TRJMR0, and TRJISR0

7.5.2 Access to Flags (Bits TEDGF and TUNDF in TRJCR0 Register)

Bits TEDGF and TUNDF in the TRJCR0 register are set to 0 by writing 0 by a program, but writing 1 to these bits has no effect. If a read-modify-write instruction is used to set the TRJCR0 register, bits TEDGF and TUNDF may be erroneously set to 0 depending on the timing, even when the TEDGF bit is set to 1 (active edge received) and the TUNDF bit is set to 1 (underflow) during execution of the instruction. Use an 8-bit memory manipulation instruction to access to the TRJCR0 register.

7.5.3 Access to Counter Register

When bits TSTART and TCSTF in the TRJCR0 register are both 1 (count starts), allow at least three cycles of the count source clock between writes when writing to the TRJ0 register successively.

7.5.4 When Changing Mode

The registers associated with timer RJ operating mode (TRJIOC0, TRJMR0, and TRJISR0) can be changed only when the count is stopped with both the TSTART and TCSTF bits set to 0 (count stops). Do not change these registers during count operation.

When the registers associated with timer RJ operating mode are changed, the values of bits TSTART and TCSTF are undefined. Write 0 (no active edge received) to the TEDGF bit and 0 (no underflow) to the TUNDF bit before starting the count.

7.5.5 Procedure for Setting Pins TRJO0 and TRJIO0

After a reset, the I/O ports multiplexed with pins TRJO0 and TRJIO0 function as input ports. To output from pins TRJO0 and TRJIO0, use the following setting procedure.

Changing procedure

- (1) Set the mode.
- (2) Set the initial value/output enabled.
- (3) Set the port register bits corresponding to pins TRJO0 and TRJIO0 to 0.
- (4) Set the port mode register bits corresponding to pins TRJO0 and TRJIO0 to output mode.
(Output is started from pins TRJO0 and TRJIO0)
- (5) Start the count (TSTART in TRJCR0 register = 1).

To input from the TRJIO0 pin, use the following setting procedure:

- (1) Set the mode.
- (2) Set the initial value/edge selected.
- (3) Set the port mode register bit corresponding to TRJIO0 pin to input mode.
(Input is started from the TRJIO0 pin)
- (4) Start the count (TSTART in TRJCR0 register = 1).
- (5) Wait until the TCSTF bit in the TRJCR0 register is set to 1 (count in progress).
(In event counter mode only)
- (6) Input an external event from the TRJIO0 pin.
- (7) The processing on completion of the first measurement is invalid (the measured value is valid for the second and subsequent times). (In pulse width measurement mode and pulse period measurement mode only)

7.5.6 When Timer RJ is not Used

When timer RJ is not used, set bits TMOD2 to TMOD0 in the TRJMR0 register to 000B (timer mode) and set the TOENA bit in the TRJIOC0 register to 0 (TRJO output disabled).

7.5.7 When Timer RJ Operating Clock is Stopped

Supplying or stopping the timer RJ clock can be controlled by the TRJOEN bit in the PER1 register. Note that the following SFRs cannot be accessed while the timer RJ clock is stopped. Make sure the timer RJ clock is supplied before accessing any of these registers.

Registers TRJO, TRJCR0, TRJMR0, TRJIOC0, and TRJISR0.

7.5.8 Procedure for Setting STOP Mode (Event Counter Mode)

To perform event counter mode operation during STOP mode, first supply the timer RJ clock and then use the following procedure to enter STOP mode.

Setting procedure

- (1) Set the operating mode.
- (2) Start the count (TSTART = 1, TCSTF = 1).
- (3) Stop supplying the timer RJ clock.

To stop event counter mode operation during STOP mode, use the following procedure to stop operation.

- (1) Supply the timer RJ clock.
- (2) Stop the count (TSTART = 0, TCSTF = 0)

7.5.9 Functional Restriction in STOP Mode (Event Counter Mode Only)

When event counter mode operation is performed during STOP mode, the digital filter function cannot be used.

7.5.10 When Count is Forcibly Stopped by TSTOP Bit

After the counter is forcibly stopped by the TSTOP bit in the TRJCR0 register, do not access the following SFRs for one cycle of the count source.

Registers TRJ0, TRJCR0, and TRJMR0

7.5.11 Digital Filter

When the digital filter is used, do not start timer operation for five cycles of the digital filter clock after setting bits TIPF1 and TIPF0.

Also, do not start timer operation for five cycles of the digital filter clock when the TEDGSEL bit in the TRJIOC register is changed while the digital filter is used.

7.5.12 When Selecting f_{IL} as Count Source

When selecting f_{IL} as the count source, set the WUTMMCK0 bit in the operation speed mode control register (OSMC) to 1. However, f_{SUB} cannot be selected as the count source for timer RJ when f_{SL} (f_{IL}) is selected as the count source for timer RD or the output clock for clock output/buzzer output.

CHAPTER 8 TIMER RD

Timer RD contains two 16-bit timer units (timer RD0 and timer RD1).

8.1 Overview

Each of timer RD0 and timer RD1 has four I/O pins.

The timer RD operating clock (f_{TRD}) is selectable from f_{CLK} , f_{MP} , or f_{SL} .

Figure 8-1 shows the Timer RD Block Diagram and Table 8-1 lists the Timer RD Pin Configuration.

Timer RD has four modes:

- Timer mode
- Input capture function Transfer the counter value to a register with an external signal as the trigger
- Output compare function Detect register value matches with a counter (Pin output can be changed at detection)
- PWM function Output pulse of any width continuously

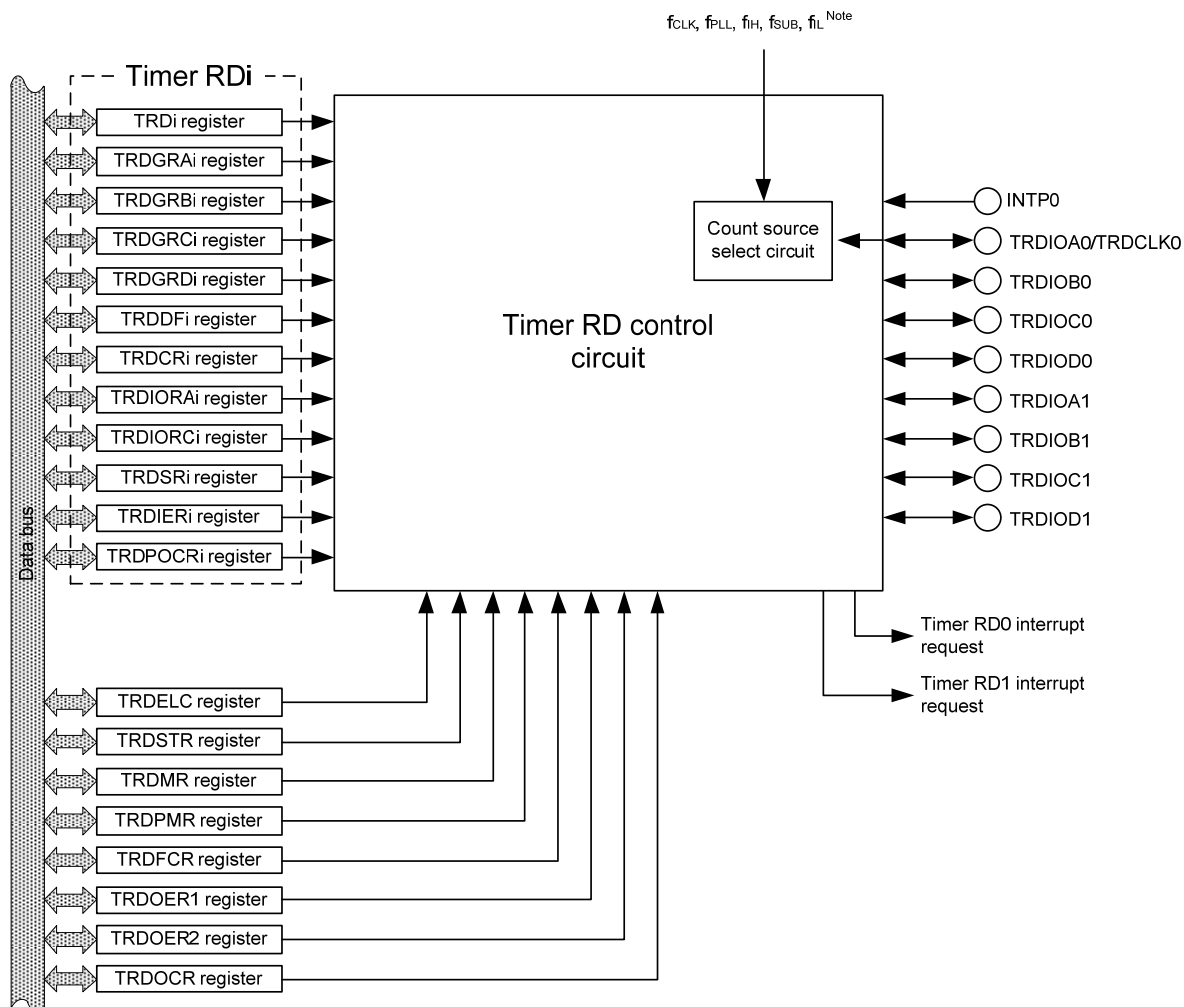
The following three modes use the PWM function.

- Reset synchronous PWM mode Output three-phase waveforms (6) without sawtooth wave modulation and dead time
- Complementary PWM mode Output three-phase waveforms (6) with triangular wave modulation and dead time
- PWM3 mode Output PWM waveforms (2) with a fixed period

The timer mode input capture function, output compare function, and PWM function are equivalent in timer RD0 and timer RD1, and these functions can be selected individually for each pin. Also, a combination of these functions can be used in timer RD0 and timer RD1.

In reset synchronous PWM mode, complementary PWM mode, and PWM3 mode, a waveform is output with a combination of counters and registers in timer RD0 and timer RD1. Pin functions depend on the mode.

Figure 8-1. Timer RD Block Diagram



Remark
i = 0 or 1

Note f_{IH} can be selected when it is 64 MHz or 48 MHz. f_{PLL} can be selected when it is over 32 MHz.

Remark i = 0 or 1

Table 8-1. Timer RD Pin Configuration

Pin Name	Assigned Pin	I/O	Function
TRDIOA0/TRDCLK0	P13 (P15)	Input/Output	Function varies depending on the mode. Refer to descriptions of individual modes for details.
TRDIOB0	P125 (P11)	Input/Output	
TRDIOC0	P14	Input/Output	
TRDIOD0	P120 (P12)	Input/Output	
TRDIOA1	P15	Input/Output	
TRDIOB1	P17	Input/Output	
TRDIOC1	P16	Input/Output	
TRDIOD1	P30	Input/Output	

8.2 Registers

Table 8-2 lists the Timer RD Register Configuration.

Table 8-2. Timer RD Register Configuration

Register Name	Symbol	After Reset	Address	Access Size
Peripheral Enable Register 1	PER1	00H	F02C0H	1, 8
Clock Select Register	CKSEL	00H	F02C4H	1, 8
Timer RD ELC Register	TRDELIC	00H ^{Note}	F0260H	1, 8
Timer RD Start Register	TRDSTR	0CH ^{Note}	F0263H	8
Timer RD Mode Register	TRDMR	00H ^{Note}	F0264H	1, 8
Timer RD PWM Function Select Register	TRDPMR	00H ^{Note}	F0265H	1, 8
Timer RD Function Control Register	TRDFCR	80H ^{Note}	F0266H	1, 8
Timer RD Output Master Enable Register 1	TRDOER1	FFH ^{Note}	F0267H	1, 8
Timer RD Output Master Enable Register 2	TRDOER2	00H ^{Note}	F0268H	1, 8
Timer RD Output Control Register	TRDOCR	00H ^{Note}	F0269H	1, 8
Timer RD Digital Filter Function Select Register 0	TRDDF0	00H ^{Note}	F026AH	1, 8
Timer RD Digital Filter Function Select Register 1	TRDDF1	00H ^{Note}	F026BH	1, 8
Timer RD Control Register 0	TRDCR0	00H ^{Note}	F0270H	1, 8
Timer RD I/O Control Register A0	TRDIORA0	00H ^{Note}	F0271H	1, 8
Timer RD I/O Control Register C0	TRDIORC0	88H ^{Note}	F0272H	1, 8
Timer RD Status Register 0	TRDSR0	00H ^{Note}	F0273H	1, 8
Timer RD Interrupt Enable Register 0	TRDIER0	00H ^{Note}	F0274H	1, 8
Timer RD PWM Function Output Level Control Register 0	TRDPOCR0	00H ^{Note}	F0275H	1, 8
Timer RD Counter 0	TRD0	0000H ^{Note}	F0276H	16
Timer RD General Register A0	TRDGRA0	FFFFH ^{Note}	F0278H	16
Timer RD General Register B0	TRDGRB0	FFFFH ^{Note}	F027AH	16
Timer RD General Register C0	TRDGRC0	FFFFH ^{Note}	FFF58H	16
Timer RD General Register D0	TRDGRD0	FFFFH ^{Note}	FFF5AH	16
Timer RD Control Register 1	TRDCR1	00H ^{Note}	F0280H	1, 8
Timer RD I/O Control Register A1	TRDIORA1	00H ^{Note}	F0281H	1, 8
Timer RD I/O Control Register C1	TRDIORC1	88H ^{Note}	F0282H	1, 8
Timer RD Status Register 1	TRDSR1	00H ^{Note}	F0283H	1, 8
Timer RD Interrupt Enable Register 1	TRDIER1	00H ^{Note}	F0284H	1, 8
Timer RD PWM Function Output Level Control Register 1	TRDPOCR1	00H ^{Note}	F0285H	1, 8
Timer RD Counter 1	TRD1	0000H ^{Note}	F0286H	16
Timer RD General Register A1	TRDGRA1	FFFFH ^{Note}	F0288H	16
Timer RD General Register B1	TRDGRB1	FFFFH ^{Note}	F028AH	16
Timer RD General Register C1	TRDGRC1	FFFFH ^{Note}	FFF5CH	16
Timer RD General Register D1	TRDGRD1	FFFFH ^{Note}	FFF5EH	16
PWM output delay control register 0	PWMDLY0	0000H	F0228H	16
Port Register 1	P1	00H	FFF01H	1, 8
Port Mode Register 1	PM1	FFH	FFF21H	1, 8
Port Register 3	P3	00H	FFF03H	1, 8
Port Mode Register 3	PM3	FFH	FFF23H	1, 8
Port Register 12	P12	-	FFF0CH	1, 8
Port Mode Register 12	PM12	FFH	FFF2CH	1, 8
PLL Control Register	PLLCTL	00H	F02C5H	1, 8
PLL Status Register	PLLSTS	00H	F02C6H	1, 8
f _{MP} Clock Division Register	MDIV	00H/01H	F02C7H	8
System Clock Control Register	CKC	00H	FFFA4H	1, 8

8.2.1 Peripheral enable register 1 (PER1)

The PER1 register is used to enable or disable supplying the clock to the peripheral hardware. Clock supply to the hardware that is not used is also stopped so as to decrease the power consumption and noise.

To use timer RD, be sure to set bit 4 (TRD0EN) to 1.

Set the PER1 register by a 1-bit or 8-bit memory manipulation instruction.

Reset signal generation clears this register to 00H.

Figure 8-2. Format of Peripheral Enable Register 1 (PER1)

Address: F02C0H After reset: 00H R/W

Symbol	<7>	6	<5>	<4>	<3>	<2>	<1>	<0>
PER1	DACEN	0	CMPEN	TRD0EN	DTCEN	TAU2EN <small>Note 2</small>	SAU2EN <small>Note 1</small>	TRJ0EN

TRD0EN	Control of timer RD input clock supply
0	Stops input clock supply. <ul style="list-style-type: none"> SFR used by timer RD cannot be written. Timer RD is in the reset status.
1	Enables input clock supply. <ul style="list-style-type: none"> SFR used by timer RD can be read and written.

- Notes**
- 144-pin and 100-pin products only.
0 must be set for the other products.
 - 144-pin products only.
0 must be set for the other products.

- Cautions**
- When setting timer RD, be sure to set the TRD0EN bit to 1 first. If TRD0EN = 0, writing to a control register of timer RD is ignored, and all read values are default values (except for port mode registers 1, 3, and 12 (PM1, PM3, and PM12) and port registers 1, 3, and 12 (P1, P3, and P12)).
 - Be sure to clear bits 6 to 0.
 - When selecting f_{IF} (64 MHz or 48 MHz) as the count source, set f_{CLK} to f_{IH}. When selecting f_{PLL} (over 32 MHz) as the count source, set f_{CLK} to f_{PLL}. When selecting f_{SUB} or f_{IL} as the count source to access the timer RD-related registers, set f_{CLK} to f_{SUB} or f_{IL}, respectively.

8.2.2 Clock Select Register (CKSEL)

This register is used to select the CPU clock (f_{SUB}/f_{IL}) and the clocks for the timer RJ, timer RD, and clock output/buzzer output. Together with the CMC register, the SELLOSC bit is used to set the operation mode of the subsystem clock. For details, see **Figure 5-3 Format of Clock Operation Mode Control Register (CMC)**.

Set the CKSEL register by a 1-bit or 8-bit memory manipulation instruction.

Writing to the CKSEL register is disabled when the GCSC bit of the IAWCTL register is set to 1.

Figure 8-3. Format of Clock Select Register (CKSEL)

Address: F02C4H After reset: 00H R/W

Symbol	7	6	5	4	3	<2>	1	<0>
CKSEL	0	0	0	0	0	TRD_ CKSEL	0	SELLOSC Note 5

TRD_ CKSEL	Control of TRD clock selection
0	Selects f_{CLK} or f_{MP} ^{Note 1} .
1	Selects f_{SL} ^{Note 2} .

SELLOSC Note 5	Control of sub/low-speed on-chip oscillator selection clock (f_{SL}) selection
0	Selects f_{SUB} ^{Note 3}
1	Selects f_{IL} ^{Note 4}

- Notes**
- When $FRQSEL4 = 1$ in the user option byte (000C2H/020C2H) and $PLLDIV1 = 1$ ($f_{PLL} > 32$ MHz) in the PLLCTL register, set the TRD_CKSEL bit to 0.
When $FRQSEL4 = 1$ in the user option byte (000C2H/020C2H) or $PLLDIV1 = 1$ ($f_{PLL} > 32$ MHz) in the PLLCTL register, the timer RD operating clock (f_{TRD}) becomes f_{MP} .
 - When f_{SL} is selected as the timer RD operating clock (f_{TRD}), f_{SL} should be selected as the CPU clock (set the CSS bit in the CKC register to 1).
 - When setting f_{SUB} as the CPU/peripheral hardware clock, first set the SELLOSC bit to 0 and then set the CSS bit in the CKC register to 1.
 - When setting f_{IL} as the CPU/peripheral hardware clock, first set the SELLOSC bit to 1 and then set the CSS bit in the CKC register to 1.
 - When the SELLOSC bit is set to 1, the low-speed on-chip oscillator operates.

8.2.3 Timer RD ELC Register (TRDELCL)

Figure 8-4. Format of Timer RD ELC Register (TRDELCL)

Address: F0260H After Reset: 00H

Symbol	7	6	5	4	3	2	1	0
TRDELCL	—	—	ELCOBE1	ELCICE1	—	—	ELCOBE0	ELCICE0

Bits 7 to 6	Nothing is assigned	R/W
—	The write value must be 0. The read value is 0.	R

ELCOBE1	ELC event input 1 enable for timer RD pulse output forced cutoff	R/W
0	Forced cutoff is disabled	R/W
1	Forced cutoff is enabled	

ELCICE1	ELC event input 1 select for timer RD input capture D1	R/W
0	Input capture D1 is selected	R/W
1	Event input 1 from the event link controller (ELC) is selected	

Bits 3 to 2	Nothing is assigned	R/W
—	The write value must be 0. The read value is 0.	R

ELCOBE0	ELC event input 0 enable for timer RD pulse output forced cutoff	R/W
0	Forced cutoff is disabled	R/W
1	Forced cutoff is enabled	

ELCICE0	ELC event input 0 select for timer RD input capture D0	R/W
0	Input capture D0 is selected	R/W
1	Event input 0 from the event link controller (ELC) is selected	

8.2.4 Timer RD Start Register (TRDSTR)

Set the TRDSTR register by an 8-bit memory manipulation instruction. See **8. 5. 1 (1) TRDSTR Register in 8.5 Notes on Timer RD.**

Figure 8-5. Format of Timer RD Start Register (TRDSTR)

Address: F0263H After Reset: 0CH **Note 1**

Symbol	7	6	5	4	3	2	1	0
TRDSTR	—	—	—	—	CSEL1	CSEL0	TSTART1	TSTART0
Bits 7 to 4	Nothing is assigned						R/W	
—	The write value must be 0. The read value is 0.						R	
CSEL1	TRD1 count operation select Note 2						R/W	
0	Count stops at compare match with TRDGRA1 register						R/W	
1	Count continues after compare match with TRDGRA1 register Note 3							
CSEL0	TRD0 count operation select						R/W	
0	Count stops at compare match with TRDGRA0 register						R/W	
1	Count continues after compare match with TRDGRA0 register Note 3							
TSTART1	TRD1 count start flag Notes 4, 5						R/W	
0	Count stops						R/W	
1	Count starts							
TSTART0	TRD0 count start flag Notes 6, 7						R/W	
0	Count stops						R/W	
1	Count starts							

- Notes**
1. The value after reset is undefined when FRQSEL4 = 1 in the user option byte (000C2H/020C2H) and TRD0EN = 0 in the PER1 register. If it is necessary to read the initial value, set f_{CLK} to f_{IH} and TRD0EN = 1 before reading.
 2. Do not use in PWM3 mode.
 3. Set to 1 for the input capture function.
 4. Write 0 to the TSTART1 bit while the CSEL1 bit is set to 1.
 5. When the CSEL1 bit is 0 and a compare match signal (TRDIOA1) is generated, this flag is set to 0 (count stops).
 6. Write 0 to the TSTART0 bit while the CSEL0 bit is set to 1.
 7. When the CSEL0 bit is 0 and a compare match signal (TRDIOA0) is generated, this flag is set to 0 (count stops).

8.2.5 Timer RD Mode Register (TRDMR)

Figure 8-6. Format of Timer RD Mode Register (TRDMR)

Address: F0264H After Reset:00H ^{Note 1}

Symbol	<7>	<6>	<5>	<4>	3	2	1	<0>
TRDMR	TRDBFD1	TRDBFC1	TRDBFD0	TRDBFC0	0	0	0	TRDSYNC
	TRDBFD1	TRDGRD1 register function select ^{Note 2}						R/W
	0	General register						R/W
	1	Buffer register for TRDGRB1 register						
	TRDBFC1	TRDGRC1 register function select ^{Note 2}						R/W
	0	General register						R/W
	1	Buffer register for TRDGRA1 register						
	TRDBFD0	TRDGRD0 register function select ^{Note 2}						R/W
	0	General register						R/W
	1	Buffer register for TRDGRB0 register						
	TRDBFC0	TRDGRC0 register function select ^{Notes 2, 3}						R/W
	0	General register						R/W
	1	Buffer register for TRDGRA0 register						
	Bits 3 to 1	Nothing is assigned						R/W
	—	The write value must be 0. The read value is 0.						R
	TRDSYNC	Timer RD synchronous ^{Note 4}						R/W
	0	TRD0 and TRD1 operate independently						R/W
	1	TRD0 and TRD1 operate synchronously						

- Notes**
1. The value after reset is undefined when FRQSEL4 = 1 in the user option byte (000C2H/020C2H) and TRD0EN = 0 in the PER1 register. If it is necessary to read the initial value, set f_{CLK} to f_{IH} and TRD0EN = 1 before reading.
 2. In the output compare function, if 0 (TRDGR_ji register output pin is changed) is selected for the IO_j3 (j = C or D) bit in the TRDIORC_i (i = 0 or 1) register, set the TRDBF_ji bit in the TRDMR register to 0.
 3. Set to 0 (general register) in complementary PWM mode.
 4. Set to 0 (TRD0 and TRD1 operate independently) in reset synchronous PWM mode, complementary PWM mode, and PWM3 mode.

8.2.6 Timer RD PWM Function Select Register (TRDPMR)

Figure 8-7. Format of Timer RD PWM Function Select Register (TRDPMR) [Timer Mode]

Address: F0265H After Reset:00H ^{Note}

Symbol	7	<6>	<5>	<4>	3	<2>	<1>	<0>
TRDPMR	0	TRDPWMD1	TRDPWMC1	TRDPWMB1	0	TRDPWMD0	TRDPWMC0	TRDPWMB0

Bit 7	Nothing is assigned	R/W
—	The write value must be 0. The read value is 0.	R

TRDPWMD1	PWM function of TRDIOD1 select	R/W
0	Input capture function or output compare function	R/W
1	PWM function	

TRDPWMC1	PWM function of TRDIOC1 select	R/W
0	Input capture function or output compare function	R/W
1	PWM function	

TRDPWMB1	PWM function of TRDIOB1 select	R/W
0	Input capture function or output compare function	R/W
1	PWM function	

Bit 3	Nothing is assigned	R/W
—	The write value must be 0. The read value is 0.	R

TRDPWMD0	PWM function of TRDIOD0 select	R/W
0	Input capture function or output compare function	R/W
1	PWM function	

TRDPWMC0	PWM function of TRDIOC0 select	R/W
0	Input capture function or output compare function	R/W
1	PWM function	

TRDPWMB0	PWM function of TRDIOB0 select	R/W
0	Input capture function or output compare function	R/W
1	PWM function	

Note The value after reset is undefined when FRQSEL4 = 1 in the user option byte (000C2H/020C2H) and TRD0EN = 0 in the PER1 register. If it is necessary to read the initial value, set f_{CLK} to f_{IH} and TRD0EN = 1 before reading.

8.2.7 Timer RD Function Control Register (TRDFCR)

Figure 8-8. Format of Timer RD Function Control Register (TRDFCR)

Address: F0266H After Reset: 80H ^{Note 1}

Symbol	7	6	5	4	3	2	1	0
TRDFCR	PWM3	STCLK	0	0	OLS1	OLS0	CMD1	CMD0

PWM3	PWM3 mode select ^{Note 2}	R/W
<ul style="list-style-type: none"> In the timer mode, set to 1 (other than PWM3 mode). In PWM3 mode, set to 0 (PWM3 mode). Disabled in reset synchronous and complementary PWM modes. 		R/W

STCLK	External clock input select	R/W
<ul style="list-style-type: none"> In the timer mode, the reset synchronous PWM mode, and the complementary PWM mode, 0: External clock input disabled 1: External clock input enabled In PWM3 mode, set to 0 (external clock input disabled). 		R/W

Bits 5 to 4	Reserved	R/W
0	Set to 0.	R/W

OLS1	Counter-phase output level select (in reset synchronous PWM mode or complementary PWM mode)	R/W
<ul style="list-style-type: none"> In reset synchronous and complementary PWM modes, 0: High initial output and low active level 1: Low initial output and high active level Disabled in timer and PWM3 modes. 		R/W

OLS0	Phase output level select (in reset synchronous PWM mode or complementary PWM mode)	R/W
<ul style="list-style-type: none"> In reset synchronous and complementary PWM modes, 0: High initial output and low active level 1: Low initial output and high active level Disabled in timer and PWM3 modes. 		R/W

CMD1	CMD0	Combination mode select ^{Notes 3, 4}	R/W
<ul style="list-style-type: none"> • In timer and PWM3 modes, set to 00B (timer mode or PWM3 mode). • In reset synchronous PWM mode, set to 01B (reset synchronous PWM mode). • In complementary PWM mode, 			R/W
<small>CMD1 CMD0</small> 1 0: Complementary PWM mode (transfer from the buffer register to the general register when TRD1 underflows) 1 1: Complementary PWM mode (transfer from the buffer register to the general register at compare match between registers TRD0 and TRDGRA0) Other than the above: Do not set.			

- Notes**
1. The value after reset is undefined when FRQSEL4 = 1 in the user option byte (000C2H/020C2H) and TRD0EN = 0 in the PER1 register. If it is necessary to read the initial value, set f_{CLK} to f_{IH} and TRD0EN = 1 before reading.
 2. When bits CMD1 and CMD0 are set to 00B (timer mode or PWM3 mode), the setting of the PWM3 bit is enabled.
 3. Set bits CMD0 and CMD1 when both the TSTART0 and TSTART1 bits in the TRDSTR register are set to 0 (count stops).
 4. When bits CMD1 and CMD0 are set to 01B, 10B, or 11B, the MCU enters reset synchronous PWM mode or complementary PWM mode regardless of the settings of the TRDPMR register.

8.2.8 Timer RD Output Master Enable Register 1 (TRDOER1)

**Figure 8-9. Format of Timer RD Output Master Enable Register 1 (TRDOER1)
[Output Compare Function, PWM Function, Reset Synchronous PWM Mode,
Complementary PWM Mode, and PWM3 Mode]**

Address: F0267H After Reset: FFH ^{Note 1}

Symbol	7	6	5	4	3	2	1	0
TRDOER1	ED1	EC1	EB1	EA1	ED0	EC0	EB0	EA0
	ED1	TRDIOD1 output disable ^{Note 2}						R/W
	0	Output enabled						R/W
	1	Output disabled (TRDIOD1 pin functions as an I/O port.)						
	EC1	TRDIOC1 output disable ^{Note 2}						R/W
	0	Output enabled						R/W
	1	Output disabled (TRDIOC1 pin functions as an I/O port.)						
	EB1	TRDIOB1 output disable ^{Note 2}						R/W
	0	Output enabled						R/W
	1	Output disabled (TRDIOB1 pin functions as an I/O port.)						
	EA1	TRDIOA1 output disable ^{Notes 2, 3}						R/W
	0	Output enabled						R/W
	1	Output disabled (TRDIOA1 pin functions as an I/O port)						
	ED0	TRDIOD0 output disable ^{Note 2}						R/W
	0	Output enabled						R/W
	1	Output disabled (TRDIOD0 pin functions as an I/O port.)						
	EC0	TRDIOC0 output disable ^{Note 2}						R/W
	0	Output enabled						R/W
	1	Output disabled (TRDIOC0 pin functions as an I/O port.)						
	EB0	TRDIOB0 output disable						R/W
	0	Output enabled						R/W
	1	Output disabled (TRDIOB0 pin functions as an I/O port.)						
	EA0	TRDIOA0 output disable ^{Notes 3, 4}						R/W
	0	Output enabled						R/W
	1	Output disabled (TRDIOA0 pin functions as an I/O port)						

- Notes**
1. The value after reset is undefined when FRQSEL4 = 1 in the user option byte (000C2H/020C2H) and TRD0EN = 0 in the PER1 register. If it is necessary to read the initial value, set f_{CLK} to f_{IH} and TRD0EN = 1 before reading.
 2. Set to 1 in PWM3 mode.
 3. Set to 1 in PWM function.
 4. Set to 1 in reset synchronous PWM mode and complementary PWM mode.

8.2.9 Timer RD Output Master Enable Register 2 (TRDOER2)

**Figure 8-10. Format of Timer RD Output Master Enable Register 2 (TRDOER2)
[PWM Function, Reset Synchronous PWM Mode, Complementary PWM Mode, and PWM3 Mode]**

Address: F0268H After Reset: 00H ^{Note 1}

Symbol	<7>	6	5	4	3	2	1	<0>
TRDOER2	TRDPTO	0	0	0	0	0	0	TRDSHUTS

TRDPTO	INTP0 of pulse output forced cutoff signal input enabled ^{Note 2}	R/W
0	Pulse output forced cutoff input disabled	R/W
1	Pulse output forced cutoff input enabled (The TRDSHUTS bit is set to 1 when a low level is applied to the INTP0 pin.)	

Bits 6 to 1	Nothing is assigned	R/W
—	The write value must be 0. The read value is 0.	R

TRDSHUTS	Forced cutoff flag	R/W
0	Not forcibly cut off	R/W
1	Forcibly cut off	
This bit is set to 1 when the pulse is forcibly cut off by an INTP0 or ELC input event. This bit is not automatically cleared. To stop the forced cutoff of the pulse, write 0 to this bit while the count is stopped (TSTARTi = 0). The pulse is also forcibly cut off when 1 is written to the TRDSHUTS bit in an enabled mode.		

- Notes**
1. The value after reset is undefined when FRQSEL4 = 1 in the user option byte (000C2H/020C2H) and TRD0EN = 0 in the PER1 register. If it is necessary to read the initial value, set f_{CLK} to f_{IH} and TRD0EN = 1 before reading.
 2. See 8.3.1 (4) **Pulse Output Forced Cutoff**.

8.2.10 Timer RD Output Control Register (TRDOCR)

Write to the TRDOCR register when bits TSTART0 and TSTART1 in the TRDSTR register are both 0 (count stops).

Figure 8-11. Format of Timer RD Output Control Register (TRDOCR) [Output Compare Function]

Address: F0269H After Reset: 00H ^{Note 1}

Symbol	7	6	5	4	3	2	1	0
TRDOCR	TOD1	TOC1	TOB1	TOA1	TOD0	TOC0	TOB0	TOA0
TOD1	TRDIOD1 initial output level select ^{Note 2}							R/W
0	Low initial output							R/W
1	High initial output							
TOC1	TRDIOC1 initial output level select ^{Note 2}							R/W
0	Low initial output							R/W
1	High initial output							
TOB1	TRDIOB1 initial output level select ^{Note 2}							R/W
0	Low initial output							R/W
1	High initial output							
TOA1	TRDIOA1 initial output level select							R/W
0	Low initial output							R/W
1	High initial output							
TOD0	TRDIOD0 initial output level select ^{Note 2}							R/W
0	Low initial output							R/W
1	High initial output							
TOC0	TRDIOC0 initial output level select ^{Note 2}							R/W
0	Low initial output							R/W
1	High initial output							
TOB0	TRDIOB0 initial output level select ^{Note 2}							R/W
0	Low initial output							R/W
1	High initial output							
TOA0	TRDIOA0 initial output level select							R/W
0	Low initial output							R/W
1	High initial output							

- Notes**
- The value after reset is undefined when FRQSEL4 = 1 in the user option byte (000C2H/020C2H) and TRD0EN = 0 in the PER1 register. If it is necessary to read the initial value, set f_{CLK} to f_{IH} and TRD0EN = 1 before reading.
 - If the pin function is set for waveform output, the initial output level is output when the TRDOCR register is set.

Figure 8-12. Format of Timer RD Output Control Register (TRDOCR) [PWM Function]

Address: F0269H After Reset: 00H ^{Note 1}

Symbol	7	6	5	4	3	2	1	0
TRDOCR	TOD1	TOC1	TOB1	TOA1	TOD0	TOC0	TOB0	TOA0
TOD1	TRDIOD1 initial output level select ^{Note 2}							R/W
0	Initial output is not active level							R/W
1	Initial output is active level							
TOC1	TRDIOC1 initial output level select ^{Note 2}							R/W
0	Initial output is not active level							R/W
1	Initial output is active level							
TOB1	TRDIOB1 initial output level select ^{Note 2}							R/W
0	Initial output is not active level							R/W
1	Initial output is active level							
TOA1	TRDIOA1 initial output level select							R/W
Set to 0.								R/W
TOD0	TRDIOD0 initial output level select ^{Note 2}							R/W
0	Initial output is not active level							R/W
1	Initial output is active level							
TOC0	TRDIOC0 initial output level select ^{Note 2}							R/W
0	Initial output is not active level							R/W
1	Initial output is active level							
Enabled in reset synchronous and complementary PWM modes.								
TOB0	TRDIOB0 initial output level select ^{Note 2}							R/W
0	Initial output is not active level							R/W
1	Initial output is active level							
TOA0	TRDIOA0 initial output level select							R/W
Set to 0.								R/W

- Notes**
1. The value after reset is undefined when FRQSEL4 = 1 in the user option byte (000C2H/020C2H) and TRD0EN = 0 in the PER1 register. If it is necessary to read the initial value, set f_{CLK} to f_{IH} and TRD0EN = 1 before reading.
 2. If the pin function is set for waveform output, the initial output level is output when the TRDOCR register is set.

Figure 8-13. Format of Timer RD Output Control Register (TRDOCR) [PWM3 Mode]

Address: F0269H After Reset: 00H ^{Note 1}

Symbol	7	6	5	4	3	2	1	0
TRDOCR	TOD1	TOC1	TOB1	TOA1	TOD0	TOC0	TOB0	TOA0
	TOD1	TRDIOD1 initial output level select						R/W
	Disabled in PWM3 mode.						R/W	
	TOC1	TRDIOC1 initial output level select						R/W
	Disabled in PWM3 mode.						R/W	
	TOB1	TRDIOB1 initial output level select						R/W
	Disabled in PWM3 mode.						R/W	
	TOA1	TRDIOA1 initial output level select						R/W
	Disabled in PWM3 mode.						R/W	
	TOD0	TRDIOD0 initial output level select						R/W
	Disabled in PWM3 mode.						R/W	
	TOC0	TRDIOC0 initial output level select						R/W
	Disabled in PWM3 mode.						R/W	
	TOB0	TRDIOB0 initial output level select ^{Note 2}						R/W
	0	Low initial output, high active level, high output at TRDGRB1 compare match, and low output at TRDGRB0 compare match						R/W
	1	High initial output, low active level, low output at TRDGRB1 compare match, and high output at TRDGRB0 compare match						R/W
	TOA0	TRDIOA0 initial output level select						R/W
	0	Low initial output, high active level, high output at TRDGRA1 compare match, and low output at TRDGRA0 compare match						R/W
	1	High initial output, low active level, low output at TRDGRA1 compare match, and high output at TRDGRA0 compare match						R/W

- Notes**
1. The value after reset is undefined when FRQSEL4 = 1 in the user option byte (000C2H/020C2H) and TRD0EN = 0 in the PER1 register. If it is necessary to read the initial value, set f_{CLK} to f_{IH} and TRD0EN = 1 before reading.
 2. If the pin function is set for waveform output, the initial output level is output when the TRDOCR register is set.

8.2.11 Timer RD Digital Filter Function Select Register i (TRDDFi) (i = 0 or 1)

Figure 8-14. Format of Timer RD Digital Filter Function Select Register i (TRDDFi) (i = 0 or 1)
[Input Capture Function]

Address: F026AH (TRDDF0), F026BH (TRDDF1) After Reset: 00H ^{Note 1}

Symbol	7	6	5	4	3	2	1	0
TRDDFi	DFCK1	DFCK0	PENB1	PENB0	DFD	DFC	DFB	DFA
	DFCK1	DFCK0	Clock select for digital filter function ^{Note 2}					R/W
	0	0	$f_{TRD}/32$					R/W
	0	1	$f_{TRD}/8$					
	1	0	f_{TRD}					
	1	1	Count source (clock selected by bits TCK0 to TCK2 in the TRDCRi register)					
	PENB1	PENB0	TRDIOBi pin pulse forced cutoff control					R/W
	0	0	Set to 00B.					R/W
	DFD	TRDIODi pin digital filter function select						R/W
	0	Function is not used						R/W
	1	Function is used						
	If the digital filter is enabled, edge detection is performed after five or more cycles of the digital filter sampling clock have elapsed.							
	DFC	TRDIOCi pin digital filter function select						R/W
	0	Function is not used						R/W
	1	Function is used						
	If the digital filter is enabled, edge detection is performed after five or more cycles of the digital filter sampling clock have elapsed.							
	DFB	TRDIOBi pin digital filter function select						R/W
	0	Function is not used						R/W
	1	Function is used						
	If the digital filter is enabled, edge detection is performed after five or more cycles of the digital filter sampling clock have elapsed.							
	DFA	TRDIOAi pin digital filter function select						R/W
	0	Function is not used						R/W
	1	Function is used						
	If the digital filter is enabled, edge detection is performed after five or more cycles of the digital filter sampling clock have elapsed.							

- Notes**
1. The value after reset is undefined when FRQSEL4 = 1 in the user option byte (00C2H/020C2H) and TRD0EN = 0 in the PER1 register. If it is necessary to read the initial value, set f_{CLK} to f_{IH} and TRD0EN = 1 before reading.
 2. Set bits DFCK0 and DFCK1 before starting count operation.

**Figure 8-15. Format of Timer RD Digital Filter Function Select Register i (TRDDFi) (i = 0 or 1)
[PWM Function, Reset Synchronous PWM Mode, Complementary PWM Mode, and PWM3 Mode]**

Address: F026AH (TRDDF0), F026BH (TRDDF1) After Reset: 00H ^{Note}

Symbol	7	6	5	4	3	2	1	0
TRDDFi	DFCK1	DFCK0	PENB1	PENB0	DFD	DFC	DFB	DFA

DFCK1	DFCK0	TRDIOAi pin pulse forced cutoff control	R/W
0	0	Forced cutoff disabled	R/W
0	1	High-impedance output	
1	0	Low output	
1	1	High output	
Set these bits to 00B (forced cutoff disabled) if the corresponding pin is not used as a timer RD output port in these modes. Also, set these bits while the count is stopped.			

PENB1	PENB0	TRDIOBi pin pulse forced cutoff control	R/W
0	0	Forced cutoff disabled	R/W
0	1	High-impedance output	
1	0	Low output	
1	1	High output	
Set these bits to 00B (forced cutoff disabled) if the corresponding pin is not used as a timer RD output port in these modes. Also, set these bits while the count is stopped.			

DFD	DFC	TRDIOCi pin pulse forced cutoff control	R/W
0	0	Forced cutoff disabled	R/W
0	1	High-impedance output	
1	0	Low output	
1	1	High output	
Set these bits to 00B (forced cutoff disabled) if the corresponding pin is not used as a timer RD output port in these modes. Also, set these bits while the count is stopped.			

DFB	DFA	TRDIODi pin pulse forced cutoff control	R/W
0	0	Forced cutoff disabled	R/W
0	1	High-impedance output	
1	0	Low output	
1	1	High output	
Set these bits to 00B (forced cutoff disabled) if the corresponding pin is not used as a timer RD output port in these modes. Also, set these bits while the count is stopped.			

Note The value after reset is undefined when FRQSEL4 = 1 in the user option byte (000C2H/020C2H) and TRD0EN = 0 in the PER1 register. If it is necessary to read the initial value, set f_{CLK} to f_{IH} and TRD0EN = 1 before reading.

8.2.12 Timer RD Control Register i (TRDCRi) (i = 0 or 1)

The TRDCR1 register is not used in reset synchronous PWM mode or PWM3 mode.

**Figure 8-16. Format of Timer RD Control Register i (TRDCRi) (i = 0 or 1)
[Input Capture Function and Output Compare Function]**

Address: F0270H (TRDCR0), F0280H (TRDCR1) After Reset: 00H ^{Note 1}

Symbol	7	6	5	4	3	2	1	0
TRDCRi	CCLR2	CCLR1	CCLR0	CKEG1	CKEG0	TCK2	TCK1	TCK0

CCLR2	CCLR1	CCLR0	TRDi counter clear select	R/W
0	0	0	Clear disabled (free-running operation)	R/W
0	0	1	Clear by input capture/compare match with TRDGRAi	
0	1	0	Clear by input capture/compare match with TRDGRBi	
0	1	1	Synchronous clear (clear simultaneously with other timer RD _i counter) ^{Note 2}	
1	0	0	Do not set.	
1	0	1	Clear by input capture/compare match with TRDGRCi	
1	1	0	Clear by input capture/compare match with TRDGRDi	
1	1	1	Do not set.	

CKEG1	CKEG0	External clock edge select ^{Note 3}	R/W
0	0	Count at the rising edge	R/W
0	1	Count at the falling edge	
1	0	Count at both edges	
1	1	Do not set.	

TCK2	TCK1	TCK0	Count source select	R/W
0	0	0	f_{TRD} ^{Note 4}	R/W
0	0	1	$f_{TRD}/2$ ^{Notes 4, 6}	
0	1	0	$f_{TRD}/4$ ^{Notes 4, 6}	
0	1	1	$f_{TRD}/8$ ^{Notes 4, 6}	
1	0	0	$f_{TRD}/32$ ^{Notes 4, 6}	
1	0	1	TRDCLK input ^{Note 5}	
1	1	0	Do not set.	
1	1	1	Do not set.	

- Notes**
- The value after reset is undefined when FRQSEL4 = 1 in the user option byte (000C2H/020C2H) and TRD0EN = 0 in the PER1 register. If it is necessary to read the initial value, set f_{CLK} to f_{IH} and TRD0EN = 1 before reading.
 - Enabled when the TRDSYNC bit in the TRDMR register is 1 (TRD0 and TRD1 operate synchronously).
 - Valid when bits TCK2 to TCK0 are set to 101B (TRDCLK input) and the STCLK bit is set to 1 (external clock input enabled).
 - As the timer RD operating clock (f_{TRD}), f_{CLK} is selected when FRQSEL4 = 0 in the user option byte (000C2H/020C2H), (PLLDIV1 = 0 or SELPLLS = 0), and TRD_CKSEL = 0. f_{IH} is selected when FRQSEL4 = 1 and TRD_CKSEL = 0. f_{PLL} is selected when (PLLDIV1 = 1 and SELPLLS = 1) and TRD_CKSEL = 0. f_{SUB} is selected when SELLOSC = 0 and TRD_CKSEL = 1. f_{IL} is selected when SELLOSC = 1 and TRD_CKSEL = 1. For details, see **Figure 8-40**.
When selecting the count source for the timer RD, set the same clock source as the count source for f_{CLK} before setting bit 4 (TRD0EN) in the peripheral enable register 1 (PER1).
 - Valid when the STCLK bit in the TRDFCR register is set to 1 (external clock input enabled).
 - With this setting, select f_{CLK} as the timer RD operating clock (f_{TRD}).

Figure 8-17. Format of Timer RD Control Register i (TRDCRi) (i = 0 or 1) [PWM Mode]Address: F0270H (TRDCR0), F0280H (TRDCR1) After Reset: 00H ^{Note 1}

Symbol	7	6	5	4	3	2	1	0
TRDCRi	CCLR2	CCLR1	CCLR0	CKEG1	CKEG0	TCK2	TCK1	TCK0
	CCLR2	CCLR1	CCLR0	TRDi counter clear select				R/W
	Set to 001B (TRDi register is cleared at compare match with TRDGRAi register).							R/W
	CKEG1	CKEG0	External clock edge select ^{Note 2}					R/W
	0	0	Count at the rising edge					R/W
	0	1	Count at the falling edge					
	1	0	Count at both edges					
	1	1	Do not set.					
	TCK2	TCK1	TCK0	Count source select				R/W
	0	0	0	f _{CLK} , f _{IH} , f _{PLL} , f _{SUB} , f _{IL} ^{Note 3}				R/W
	0	0	1	f _{CLK} /2				
	0	1	0	f _{CLK} /4				
	0	1	1	f _{CLK} /8				
	1	0	0	f _{CLK} /32				
	1	0	1	TRDCLK input ^{Note 4}				
	1	1	0	Do not set.				
	1	1	1	Do not set.				

- Notes**
1. The value after reset is undefined when FRQSEL4 = 1 in the user option byte (000C2H/020C2H) and TRD0EN = 0 in the PER1 register. If it is necessary to read the initial value, set f_{CLK} to f_{IH} and TRD0EN = 1 before reading.
 2. Valid when bits TCK2 to TCK0 are set to 101B (TRDCLK input) and the STCLK bit is set to 1 (external clock input enabled).
 3. f_{CLK} is selected when FRQSEL4 = 0 in the user option byte (000C2H/020C2H), (PLLDIV1 = 0 or SELPLLS = 0), and TRD_CKSEL = 0. f_{IH} is selected when FRQSEL4 = 1 and TRD_CKSEL = 0. f_{PLL} is selected when (PLLDIV1 = 1 and SELPLLS = 1) and TRD_CKSEL = 0. f_{SUB} is selected when SELLOSC = 0 and TRD_CKSEL = 1. f_{IL} is selected when SELLOSC = 1 and TRD_CKSEL = 1. For details, see **Figure 8-40**.
When selecting the count source for the timer RD, set the same clock source as the count source for f_{CLK} before setting bit 4 (TRD0EN) in the peripheral enable register 1 (PER1).
 4. Valid when the STCLK bit in the TRDFCR register is set to 1 (external clock input enabled).

Figure 8-18. Format of Timer RD Control Register 0 (TRDCR0) [Reset Synchronous PWM Mode]

Address: F0270H (TRDCR0) After Reset: 00H ^{Note 1}

Symbol	7	6	5	4	3	2	1	0
TRDCR0	CCLR2	CCLR1	CCLR0	CKEG1	CKEG0	TCK2	TCK1	TCK0
	CCLR2	CCLR1	CCLR0	TRD0 counter clear select				R/W
	Set to 001B (TRD0 register is cleared at compare match with TRDGRA0 register).							R/W
	CKEG1	CKEG0	External clock edge select ^{Note 2}					R/W
	0	0	Count at the rising edge					R/W
	0	1	Count at the falling edge					
	1	0	Count at both edges					
	1	1	Do not set.					
	TCK2	TCK1	TCK0	Count source select				R/W
	0	0	0	f _{CLK} , f _{IH} , f _{PLL} , f _{SUB} , f _{IL} ^{Note 3}				R/W
	0	0	1	f _{CLK} /2				
	0	1	0	f _{CLK} /4				
	0	1	1	f _{CLK} /8				
	1	0	0	f _{CLK} /32				
	1	0	1	TRDCLK input ^{Note 4}				
	1	1	0	Do not set.				
	1	1	1	Do not set.				

- Notes**
1. The value after reset is undefined when FRQSEL4 = 1 in the user option byte (000C2H/020C2H) and TRD0EN = 0 in the PER1 register. If it is necessary to read the initial value, set f_{CLK} to f_{IH} and TRD0EN = 1 before reading.
 2. Valid when bits TCK2 to TCK0 are set to 101B (TRDCLK input) and the STCLK bit is set to 1 (external clock input enabled).
 3. f_{CLK} is selected when FRQSEL4 = 0 in the user option byte (000C2H/020C2H), (PLLDIV1 = 0 or SELPLLS = 0), and TRD_CKSEL = 0. f_{IH} is selected when FRQSEL4 = 1 and TRD_CKSEL = 0. f_{PLL} is selected when (PLLDIV1 = 1 and SELPLLS = 1) and TRD_CKSEL = 0. f_{SUB} is selected when SELLOSC = 0 and TRD_CKSEL = 1. f_{IL} is selected when SELLOSC = 1 and TRD_CKSEL = 1. For details, see **Figure 8-40**.
When selecting the count source for the timer RD, set the same clock source as the count source for f_{CLK} before setting bit 4 (TRD0EN) in the peripheral enable register 1 (PER1).
 4. Valid when the STCLK bit in the TRDFCR register is set to 1 (external clock input enabled).

Figure 8-19. Format of Timer RD Control Register 0 (TRDCR0) [Complementary PWM Mode]

Address: F0270H (TRDCR0) After Reset: 00H ^{Note 1}

Symbol	7	6	5	4	3	2	1	0
TRDCR0	CCLR2	CCLR1	CCLR0	CKEG1	CKEG0	TCK2	TCK1	TCK0
	CCLR2	CCLR1	CCLR0	TRD0 counter clear select				R/W
	Set to 000B (clear disabled (free-running operation)).							R/W
	CKEG1	CKEG0	External clock edge select ^{Notes 2, 3}				R/W	
	0	0	Count at the rising edge				R/W	
	0	1	Count at the falling edge					
	1	0	Count at both edges					
	1	1	Do not set.					
	TCK2	TCK1	TCK0	Count source select				R/W
	0	0	0	f _{CLK} , f _{IH} , f _{PLL} , f _{SUB} , f _{IL} ^{Note 4}				R/W
	0	0	1	f _{CLK} /2				
	0	1	0	f _{CLK} /4				
	0	1	1	f _{CLK} /8				
	1	0	0	f _{CLK} /32				
	1	0	1	TRDCLK input ^{Note 5}				
	1	1	0	Do not set.				
	1	1	1	Do not set.				

- Notes**
- The value after reset is undefined when FRQSEL4 = 1 in the user option byte (000C2H/020C2H) and TRD0EN = 0 in the PER1 register. If it is necessary to read the initial value, set f_{CLK} to f_{IH} and TRD0EN = 1 before reading.
 - Valid when bits TCK2 to TCK0 are set to 101B (TRDCLK input) and the STCLK bit is set to 1 (external clock input enabled).
 - Set the same value to bits TCK0 to TCK2, CKEG0, and CKEG1 in registers TRDCR0 and TRDCR1.
 - f_{CLK} is selected when FRQSEL4 = 0 in the user option byte (000C2H/020C2H), (PLLDIV1 = 0 or SELPLLS = 0), and TRD_CKSEL = 0. f_{IH} is selected when FRQSEL4 = 1 and TRD_CKSEL = 0. f_{PLL} is selected when (PLLDIV1 = 1 and SELPLLS = 1) and TRD_CKSEL = 0. f_{SUB} is selected when SELLOSC = 0 and TRD_CKSEL = 1. f_{IL} is selected when SELLOSC = 1 and TRD_CKSEL = 1. For details, see **Figure 8-40**.
When selecting the count source for the timer RD, set the same clock source as the count source for f_{CLK} before setting bit 4 (TRD0EN) in the peripheral enable register 1 (PER1).
 - Valid when the STCLK bit in the TRDFCR register is set to 1 (external clock input enabled).

Figure 8-20. Format of Timer RD Control Register 0 (TRDCR0) [PWM3 Mode]

Address: F0270H (TRDCR0) After Reset: 00H ^{Note 1}

Symbol	7	6	5	4	3	2	1	0
TRDCR0	CCLR2	CCLR1	CCLR0	CKEG1	CKEG0	TCK2	TCK1	TCK0
	CCLR2	CCLR1	CCLR0	TRD0 counter clear select				R/W
	Set to 001B (TRD0 register is cleared at compare match with TRDGRA0 register).							R/W
	CKEG1	CKEG0	External clock edge select				R/W	
	Disabled in PWM3 mode.							R/W
	TCK2	TCK1	TCK0	Count source select				R/W
	0	0	0	f _{CLK} , f _{IH} , f _{PLL} , f _{SUB} , f _{IL} ^{Note 2}				R/W
	0	0	1	f _{CLK} /2				
	0	1	0	f _{CLK} /4				
	0	1	1	f _{CLK} /8				
	1	0	0	f _{CLK} /32				
	1	0	1	Do not set.				
	1	1	0	Do not set.				
	1	1	1	Do not set.				

- Notes**
1. The value after reset is undefined when FRQSEL4 = 1 in the user option byte (000C2H/020C2H) and TRD0EN = 0 in the PER1 register. If it is necessary to read the initial value, set f_{CLK} to f_{IH} and TRD0EN = 1 before reading.
 2. f_{CLK} is selected when FRQSEL4 = 0 in the user option byte (000C2H/020C2H), (PLLDIV1 = 0 or SELPLLS = 0), and TRD_CKSEL = 0. f_{IH} is selected when FRQSEL4 = 1 and TRD_CKSEL = 0. f_{PLL} is selected when (PLLDIV1 = 1 and SELPLLS = 1) and TRD_CKSEL = 0. f_{SUB} is selected when SELLOSC = 0 and TRD_CKSEL = 1. f_{IL} is selected when SELLOSC = 1 and TRD_CKSEL = 1. For details, see **Figure 8-40**.

When selecting the count source for the timer RD, set the same clock source as the count source for f_{CLK} before setting bit 4 (TRD0EN) in the peripheral enable register 1 (PER1).

8.2.13 Timer RD I/O Control Register Ai (TRDIORAi) (i = 0 or 1)

Figure 8-21. Format of Timer RD I/O Control Register Ai (TRDIORAi) (i = 0 or 1) [Input Capture Function]

Address: F0271H (TRDIORA0), F0281H (TRDIORA1) After Reset: 00H ^{Note 1}

Symbol	7	6	5	4	3	2	1	0
TRDIORAi	—	IOB2	IOB1	IOB0	0	IOA2	IOA1	IOA0

Bit 7	Nothing is assigned	R/W
—	The write value must be 0. The read value is 0.	R

IOB2	TRDGRBi mode select ^{Note 2}	R/W
Set to 1 (input capture) in the input capture function.		R/W

IOB1	IOB0	TRDGRBi control	R/W
0	0	Input capture to TRDGRBi at the rising edge	R/W
0	1	Input capture to TRDGRBi at the falling edge	
1	0	Input capture to TRDGRBi at both edges	
1	1	Do not set.	

Bit 3	Reserved	R/W
0	Set to 0.	R/W

IOA2	TRDGRAi mode select ^{Note 3}	R/W
Set to 1 (input capture) in the input capture function.		R/W

IOA1	IOA0	TRDGRAi control	R/W
0	0	Input capture to TRDGRAi at the rising edge	R/W
0	1	Input capture to TRDGRAi at the falling edge	
1	0	Input capture to TRDGRAi at both edges	
1	1	Do not set.	

- Notes**
1. The value after reset is undefined when FRQSEL4 = 1 in the user option byte (000C2H/020C2H) and TRD0EN = 0 in the PER1 register. If it is necessary to read the initial value, set f_{CLK} to f_{IH} and TRD0EN = 1 before reading.
 2. If 1 (buffer register for TRDGRBi register) is selected for the TRDBFDi bit in the TRDMR register, set the same value to the IOB2 bit in the TRDIORAi register and the IOD2 bit in the TRDIORCi register.
 3. If 1 (buffer register for TRDGRAi register) is selected for the TRDBFCi bit in the TRDMR register, set the same value to the IOA2 bit in the TRDIORAi register and the IOC2 bit in the TRDIORCi register.

Figure 8-22. Format of Timer RD I/O Control Register Ai (TRDIORAi) (i = 0 or 1) [Output Compare Function]

Address: F0271H (TRDIORA0), F0281H (TRDIORA1) After Reset: 00H ^{Note 1}

Symbol	7	6	5	4	3	2	1	0
TRDIORAi	—	IOB2	IOB1	IOB0	0	IOA2	IOA1	IOA0

Bit 7	Nothing is assigned	R/W
—	The write value must be 0. The read value is 0.	R

IOB2	TRDGRBi mode select ^{Note 2}	R/W
Set to 0 (output compare) in the output compare function.		R/W

IOB1	IOB0	TRDGRBi control	R/W
0	0	Pin output by compare match is disabled (TRDIOBi pin functions as an I/O port)	R/W
0	1	Low output by compare match with TRDGRBi	
1	0	High output by compare match with TRDGRBi	
1	1	Toggle output by compare match with TRDGRBi	

Bit 3	Reserved	R/W
0	Set to 0.	R/W

IOA2	TRDGRAi mode select ^{Note 3}	R/W
Set to 0 (output compare) in the output compare function.		R/W

IOA1	IOA0	TRDGRAi control	R/W
0	0	Pin output by compare match is disabled (TRDIOAi pin functions as an I/O port)	R/W
0	1	Low output by compare match with TRDGRAi	
1	0	High output by compare match with TRDGRAi	
1	1	Toggle output by compare match with TRDGRAi	

- Notes**
1. The value after reset is undefined when FRQSEL4 = 1 in the user option byte (000C2H/020C2H) and TRD0EN = 0 in the PER1 register. If it is necessary to read the initial value, set f_{CLK} to f_{IH} and TRD0EN = 1 before reading.
 2. If 1 (buffer register for TRDGRBi register) is selected for the TRDBFDi bit in the TRDMR register, set the same value to the IOB2 bit in the TRDIORAi register and the IOD2 bit in the TRDIORCi register.
 3. If 1 (buffer register for TRDGRAi register) is selected for the TRDBFCi bit in the TRDMR register, set the same value to the IOA2 bit in the TRDIORAi register and the IOC2 bit in the TRDIORCi register.

8.2.14 Timer RD I/O Control Register Ci (TRDIORCi) (i = 0 or 1)

Figure 8-23. Format of Timer RD I/O Control Register Ci (TRDIORCi) [Input Capture Function]

Address: F0272H (TRDIORC0), F0282H (TRDIORC1) After Reset: 88H ^{Note 1}

Symbol	7	6	5	4	3	2	1	0
TRDIORCi	IOD3	IOD2	IOD1	IOD0	IOC3	IOC2	IOC1	IOC0
IOD3	TRDGRDi register function select							R/W
Set to 1 (general register or buffer register) in the input capture function.								R/W
IOD2	TRDGRDi mode select ^{Note 2}							R/W
Set to 1 (input capture) in the input capture function.								R/W
IOD1	IOD0	TRDGRDi control					R/W	
0	0	Input capture to TRDGRDi at the rising edge					R/W	
0	1	Input capture to TRDGRDi at the falling edge						
1	0	Input capture to TRDGRDi at both edges						
1	1	Do not set.						
IOC3	TRDGRCi register function select							R/W
Set to 1 (general register or buffer register) in the input capture function.								R/W
IOC2	TRDGRCi mode select ^{Note 3}							R/W
Set to 1 (input capture) in the input capture function.								R/W
IOC1	IOC0	TRDGRCi control					R/W	
0	0	Input capture to TRDGRCi at the rising edge					R/W	
0	1	Input capture to TRDGRCi at the falling edge						
1	0	Input capture to TRDGRCi at both edges						
1	1	Do not set.						

- Notes**
1. The value after reset is undefined when FRQSEL4 = 1 in the user option byte (000C2H/020C2H) and TRD0EN = 0 in the PER1 register. If it is necessary to read the initial value, set f_{CLK} to f_{IH} and TRD0EN = 1 before reading.
 2. If 1 (buffer register for TRDGRBi register) is selected for the TRDBFDi bit in the TRDMR register, set the same value to the IOB2 bit in the TRDIORAi register and the IOD2 bit in the TRDIORCi register.
 3. If 1 (buffer register for TRDGRAi register) is selected for the TRDBFCi bit in the TRDMR register, set the same value to the IOA2 bit in the TRDIORAi register and the IOC2 bit in the TRDIORCi register.

Figure 8-24. Format of Timer RD I/O Control Register Ci (TRDIORCi) (i = 0 or 1) [Output Compare Function]Address: F0272H (TRDIORC0), F0282H (TRDIORC1) After Reset: 88H ^{Note 1}

Symbol	7	6	5	4	3	2	1	0
TRDIORCi	IOD3	IOD2	IOD1	IOD0	IOC3	IOC2	IOC1	IOC0

IOD3	TRDGRDi register function select		R/W
0	TRDIOBi output register (see 8.3.3 (2) Changing Output Pins in Registers TRDGRCi (i = 0 or 1) and TRDGRDi)		R/W
1	General register or buffer register		

IOD2	TRDGRDi mode select ^{Note 2}		R/W
Set to 0 (output compare) in the output compare function.			R/W

IOD1	IOD0	TRDGRDi control	R/W
0	0	Pin output by compare match is disabled	R/W
0	1	Low output by compare match with TRDGRDi	
1	0	High output by compare match with TRDGRDi	
1	1	Toggle output by compare match with TRDGRDi	

IOC3	TRDGRCi register function select		R/W
0	TRDIOAi output register (see 8.3.3 (2) Changing Output Pins in Registers TRDGRCi (i = 0 or 1) and TRDGRDi)		R/W
1	General register or buffer register		

IOC2	TRDGRCi mode select ^{Note 3}		R/W
Set to 0 (output compare) in the output compare function.			R/W

IOC1	IOC0	TRDGRCi control	R/W
0	0	Pin output by compare match is disabled	R/W
0	1	Low output by compare match with TRDGRCi	
1	0	High output by compare match with TRDGRCi	
1	1	Toggle output by compare match with TRDGRCi	

- Notes**
1. The value after reset is undefined when FRQSEL4 = 1 in the user option byte (000C2H/020C2H) and TRD0EN = 0 in the PER1 register. If it is necessary to read the initial value, set f_{CLK} to f_{IH} and TRD0EN = 1 before reading.
 2. If 1 (buffer register for TRDGRBi register) is selected for the TRDBFDi bit in the TRDMR register, set the same value to the IOB2 bit in the TRDIORAi register and the IOD2 bit in the TRDIORCi register.
 3. If 1 (buffer register for TRDGRAi register) is selected for the TRDBFCi bit in the TRDMR register, set the same value to the IOA2 bit in the TRDIORAi register and the IOC2 bit in the TRDIORCi register.

8.2.15 Timer RD Status Register i (TRDSRi) (i = 0 or 1)

Figure 8-25. Format of Timer RD Status Register i (TRDSRi) (i = 0 or 1) [Input Capture Function]

Address: F0273H (TRDSR0), F0283H (TRDSR1) After Reset: 00H ^{Note 1}

Symbol	7	6	5	4	3	2	1	0
TRDSRi	—	—	UDF	OVF	IMFD	IMFC	IMFB	IMFA

Bits 7 to 6	Nothing is assigned	R/W
—	The write value must be 0. The read value is 0.	R

UDF	Underflow flag ^{Note 2}	R/W
Disabled in the input capture function.		R/W

OVF	Overflow flag ^{Note 3}	R/W
[Source for setting to 0] Write 0 after reading. ^{Note 4} [Source for setting to 1] When the TRDi register overflows		R/W

IMFD	Input capture/compare match flag D ^{Note 7}	R/W
[Source for setting to 0] Write 0 after reading. ^{Note 4} [Source for setting to 1] Input edge of TRDIODi pin ^{Note 5}		R/W

IMFC	Input capture/compare match flag C ^{Note 7}	R/W
[Source for setting to 0] Write 0 after reading. ^{Note 4} [Source for setting to 1] Input edge of TRDIOCi pin ^{Note 5}		R/W

IMFB	Input capture/compare match flag B ^{Note 7}	R/W
[Source for setting to 0] Write 0 after reading. ^{Note 4} [Source for setting to 1] Input edge of TRDIOBi pin ^{Note 6}		R/W

IMFA	Input capture/compare match flag A ^{Note 7}	R/W
[Source for setting to 0] Write 0 after reading. ^{Note 4} [Source for setting to 1] Input edge of TRDIOAi pin ^{Note 6}		R/W

(Notes are listed on the next page.)

- Notes**
1. The value after reset is undefined when $FRQSEL4 = 1$ in the user option byte (000C2H/020C2H) and $TRD0EN = 0$ in the PER1 register. If it is necessary to read the initial value, set $fCLK$ to fIH and $TRD0EN = 1$ before reading.
 2. Nothing is assigned to bit 5 in the TRDSR0 register. The write value must be 0 for bit 5. The read value is 0.
 3. When the counter value of timer RD_i changes from FFFFH to 0000H, the overflow flag is set to 1. Also, if the counter value of timer RD_i changes from FFFFH to 0000H due to an input capture/compare match during operation according to the settings of bits CCLR0 to CCLR2 in the TRDCRi register, the overflow flag is set to 1.
 4. The writing results are as follows:
 - Writing 1 has no effect.
 - If the read value is 0, the bit remains unchanged even if 0 is written to it. (Even if the bit is changed from 0 to 1 after reading and then 0 is written to it, it remains 1.)
 - If the read value is 1, writing 0 to the bit sets it to 0.Use either (a) or (b) described below to clear each bit of the TRDSRi register.
 - (a) Set the TRDIERi register to 00H (disabling all interrupts) and then write 0 to all of the status flags.
 - (b) When at least one bit in the TRDIERi register has the setting 1 and the status flag of an interrupt source enabled by the corresponding bit is 1, write 0 to all of the status flag bits whose settings are 1 in the TRDSRi register at the same time.
 5. Edge selected by bits $IOk1$ and $IOk0$ ($k = C$ or D) in the TRDIORCi register.
Including when the TRDBFki bit in the TRDMR register is 1 (TRDGRki is buffer register).
 6. Edge selected by bits $IOj1$ and $IOj0$ ($j = A$ or B) in the TRDIORAi register.
 7. When the DTC is used, bits IMFA, IMFB, IMFC, and IMFD are set to 1 after DTC transfer is completed.

**Figure 8-26. Format of Timer RD Status Register i (TRDSRi) (i = 0 or 1)
[Functions Other Than Input Capture Function]**

Address: F0273H (TRDSR0), F0283H (TRDSR1) After Reset: 00H ^{Note 1}

Symbol	7	6	5	4	3	2	1	0
TRDSRi	—	—	UDF	OVF	IMFD	IMFC	IMFB	IMFA
Bits 7 to 6	Nothing is assigned							R/W
—	The write value must be 0. The read value is 0.							R
UDF	Underflow flag ^{Note 2}							R/W
In complementary PWM mode [Source for setting to 0] Write 0 after reading. ^{Note 3} [Sources for setting to 1] When TRDi underflows. Enabled only in complementary PWM mode.							R/W	
OVF	Overflow flag ^{Note 4}							R/W
[Source for setting to 0] Write 0 after reading. ^{Note 3} [Source for setting to 1] When the TRDi register overflows							R/W	
IMFD	Input capture/compare match flag D ^{Note 6}							R/W
[Source for setting to 0] Write 0 after reading. ^{Note 3} [Source for setting to 1] When the values of TRDi and TRDGRDi match. ^{Note 5}							R/W	
IMFC	Input capture/compare match flag C ^{Note 6}							R/W
[Source for setting to 0] Write 0 after reading. ^{Note 3} [Source for setting to 1] When the values of TRDi and TRDGRCi match. ^{Note 5}							R/W	
IMFB	Input capture/compare match flag B ^{Note 6}							R/W
[Source for setting to 0] Write 0 after reading. ^{Note 3} [Source for setting to 1] When the values of TRDi and TRDGRBi match.							R/W	
IMFA	Input capture/compare match flag A ^{Note 6}							R/W
[Source for setting to 0] Write 0 after reading. ^{Note 3} [Source for setting to 1] When the values of TRDi and TRDGRAi match.							R/W	

(Notes are listed on the next page.)

- Notes**
1. The value after reset is undefined when FRQSEL4 = 1 in the user option byte (000C2H/020C2H) and TRD0EN = 0 in the PER1 register. If it is necessary to read the initial value, set f_{CLK} to f_{IH} and TRD0EN = 1 before reading.
 2. Nothing is assigned to bit 5 in the TRDSR0 register. The write value must be 0 for bit 5. The read value is 0.
 3. The writing results are as follows:
 - Writing 1 has no effect.
 - If the read value is 0, the bit remains unchanged even if 0 is written to it. (Even if the bit is changed from 0 to 1 after reading and then 0 is written to it, it remains 1.)
 - If the read value is 1, writing 0 to the bit sets it to 0.Use either (a) or (b) described below to clear each bit of the TRDSR_i register.
 - (a) Set the TRDIER_i register to 00H (disabling all interrupts) and then write 0 to all of the status flags.
 - (b) When at least one bit in the TRDIER_i register has the setting 1 and the status flag of an interrupt source enabled by the corresponding bit is 1, write 0 to all of the status flag bits whose settings are 1 in the TRDSR_i register at the same time.
 4. When the counter value of timer RD_i changes from FFFFH to 0000H, the overflow flag is set to 1. Also, if the counter value of timer RD_i changes from FFFFH to 0000H due to an input capture/compare match during operation according to the settings of bits CCLR0 to CCLR2 in the TRDCR_i register, the overflow flag is set to 1.
 5. Including when the TRDBF_k bit (k = C or D) in the TRDMR register is set to 1 (TRDGRK_i is buffer register).
 6. When the DTC is used, bits IMFA, IMFB, IMFC, and IMFD are set to 1 after DTC transfer is completed.

8.2.16 Timer RD Interrupt Enable Register i (TRDIERi) (i = 0 or 1)

Figure 8-27. Format of Timer RD Interrupt Enable Register i (TRDIERi) (i = 0 or 1)

Address: F0274H (TRDIER0), F0284H (TRDIER1) After Reset: 00H ^{Note}

Symbol	7	6	5	4	3	2	1	0
TRDIERi	—	—	—	OVIE	IMIED	IMIEC	IMIEB	IMIEA
Bits 7 to 5	Nothing is assigned							R/W
—	The write value must be 0. The read value is 0.							R
OVIE	Overflow/underflow interrupt enable							R/W
0	Interrupt (OVI) by bits OVF and UDF disabled							R/W
1	Interrupt (OVI) by bits OVF and UDF enabled							
IMIED	Input capture/compare match interrupt enable D							R/W
0	Interrupt (IMID) by the IMFD bit is disabled							R/W
1	Interrupt (IMID) by the IMFD bit is enabled							
IMIEC	Input capture/compare match interrupt enable C							R/W
0	Interrupt (IMIC) by the IMFC bit is disabled							R/W
1	Interrupt (IMIC) by the IMFC bit is enabled							
IMIEB	Input capture/compare match interrupt enable B							R/W
0	Interrupt (IMIB) by the IMFB bit is disabled							R/W
1	Interrupt (IMIB) by the IMFB bit is enabled							
IMIEA	Input capture/compare match interrupt enable A							R/W
0	Interrupt (IMIA) by the IMFA bit is disabled							R/W
1	Interrupt (IMIA) by the IMFA bit is enabled							

Note The value after reset is undefined when FRQSEL4 = 1 in the user option byte (000C2H/020C2H) and TRD0EN = 0 in the PER1 register. If it is necessary to read the initial value, set f_{CLK} to f_H and TRD0EN = 1 before reading.

8.2.17 Timer RD PWM Function Output Level Control Register i (TRDPOCRi) (i = 0 or 1)

Settings to the TRDPOCRi register are enabled only in PWM function. When not in PWM function, they are disabled.

Figure 8-28. Format of Timer RD PWM Function Output Level Control Register i (TRDPOCRi) (i= 0 or 1) [PWM Function]

Address: F0275H (TRDPOCR0), F0285H (TRDPOCR1) After Reset: 00H ^{Note}

Symbol	7	6	5	4	3	2	1	0
TRDPOCRi	—	—	—	—	—	POLD	POLC	POLB

Bits 7 to 3	Nothing is assigned	R/W
—	The write value must be 0. The read value is 0.	R

POLD	PWM function output level control D	R/W
0	TRDIODi output level is low active	R/W
1	TRDIODi output level is high active	

POLC	PWM function output level control C	R/W
0	TRDIOCi output level is low active	R/W
1	TRDIOCi output level is high active	

POLB	PWM function output level control B	R/W
0	TRDIOBi output level is low active	R/W
1	TRDIOBi output level is high active	

Note The value after reset is undefined when FRQSEL4 = 1 in the user option byte (000C2H/020C2H) and TRD0EN = 0 in the PER1 register. If it is necessary to read the initial value, set fCLK to fIH and TRD0EN = 1 before reading.

8.2.18 Timer RD Counter i (TRDi) (i = 0 or 1)

[Timer Mode]

Access the TRDi register in 16-bit units. Do not access it in 8-bit units.

[Reset Synchronous PWM Mode and PWM3 Mode]

Access the TRD0 register in 16-bit units. Do not access it in 8-bit units. The TRD1 register is not used in reset synchronous PWM mode and PWM3 mode.

[Complementary PWM Mode (TRD0)]

Access the TRD0 register in 16-bit units. Do not access it in 8-bit units.

[Complementary PWM Mode (TRD1)]

Access the TRD1 register in 16-bit units. Do not access it in 8-bit units.

Figure 8-29. Format of Timer RD Counter i (TRDi) (i = 0 or 1) [Timer Mode]

Address: F0276H (TRD0), F0286H (TRD1) After Reset: 0000H ^{Note}

Symbol	15	14	13	12	11	10	9	8	7	6	5	4	3	2	1	0
TRDi	—	—	—	—	—	—	—	—	—	—	—	—	—	—	—	—

—	Function	Setting Range	R/W
Bits 15 to 0	Count the count source. Count operation is incremented. When an overflow occurs, the OVF bit in the TRDSRi register is set to 1.	0000H to FFFFH	R/W

Note The value after reset is undefined when FRQSEL4 = 1 in the user option byte (000C2H/020C2H) and TRD0EN = 0 in the PER1 register. If it is necessary to read the initial value, set f_{CLK} to f_{IH} and TRD0EN = 1 before reading.

Figure 8-30. Format of Timer RD Counter i (TRDi) (i = 0 or 1) [Reset Synchronous PWM Mode and PWM3 Mode]

Address: F0276H (TRD0), F0286H (TRD1) After Reset: 0000H ^{Note}

Symbol	15	14	13	12	11	10	9	8	7	6	5	4	3	2	1	0
TRDi	—	—	—	—	—	—	—	—	—	—	—	—	—	—	—	—

—	Function	Setting Range	R/W
Bits 15 to 0	Count the count source. Count operation is incremented. When an overflow occurs, the OVF bit in the TRDSR0 register is set to 1.	0000H to FFFFH	R/W

Note The value after reset is undefined when FRQSEL4 = 1 in the user option byte (000C2H/020C2H) and TRD0EN = 0 in the PER1 register. If it is necessary to read the initial value, set f_{CLK} to f_{IH} and TRD0EN = 1 before reading.

Figure 8-31. Format of Timer RD Counter i (TRDi) (i = 0 or 1) [Complementary PWM Mode (TRD0)]

Address: F0276H (TRD0), F0286H (TRD1) After Reset: 0000H ^{Note}

Symbol	15	14	13	12	11	10	9	8	7	6	5	4	3	2	1	0
TRDi	—	—	—	—	—	—	—	—	—	—	—	—	—	—	—	—

—	Function	Setting Range	R/W
Bits 15 to 0	Dead time must be set. Count the count source. Count operation is incremented or decremented. When an overflow occurs, the OVF bit in the TRDSR0 register is set to 1.	0001H to FFFFH	R/W

Note The value after reset is undefined when FRQSEL4 = 1 in the user option byte (000C2H/020C2H) and TRD0EN = 0 in the PER1 register. If it is necessary to read the initial value, set f_{CLK} to f_{IH} and TRD0EN = 1 before reading.

Figure 8-32. Format of Timer RD Counter i (TRDi) (i = 0 or 1) [Complementary PWM Mode (TRD1)]

Address: F0276H (TRD0), F0286H (TRD1) After Reset: 0000H ^{Note}

Symbol	15	14	13	12	11	10	9	8	7	6	5	4	3	2	1	0
TRDi	—	—	—	—	—	—	—	—	—	—	—	—	—	—	—	—

—	Function	Setting Range	R/W
Bits 15 to 0	Set to 0000H. Count the count source. Count operation is incremented or decremented. When an underflow occurs, the UDF bit in the TRDSR1 register is set to 1.	0000H to FFFFH	R/W

Note The value after reset is undefined when FRQSEL4 = 1 in the user option byte (000C2H/020C2H) and TRD0EN = 0 in the PER1 register. If it is necessary to read the initial value, set f_{CLK} to f_{IH} and TRD0EN = 1 before reading.

8.2.19 Timer RD General Registers Ai, Bi, Ci, and Di (TRDGRAi, TRDGRBi, TRDGRCi, TRDGRDi) (i = 0 or 1)

[Input Capture Function]

Access registers TRDGRAi to TRDGRDi in 16-bit units. Do not access them in 8-bit units.

The following registers are disabled in the input capture function:

TRDOER1, TRDOER2, TRDOCR, TRDPOCR0, and TRDPOCR1

Set the pulse width of the input capture signal applied to the TRDIOji pin to three or more cycles of the timer RD operating clock (f_{TRD}) when no digital filter is used (j = A, B, C, or D) (when no digital filter is used).

[Output Compare Function]

Access registers TRDGRAi to TRDGRDi in 16-bit units. Do not access them in 8-bit units.

The following registers are disabled in the output compare function:

TRDDF0, TRDDF1, TRDPOCR0, and TRDPOCR1

[PWM Function]

Access registers TRDGRAi to TRDGRDi in 16-bit units. Do not access them in 8-bit units.

The following registers are disabled in PWM function:

TRDDF0, TRDDF1, TRDIORA0, TRDIORC0, TRDIORA1, and TRDIORC1

[Reset Synchronous PWM Mode]

Access registers TRDGRAi to TRDGRDi in 16-bit units. Do not access them in 8-bit units.

The following registers are disabled in reset synchronous PWM mode:

TRDPMR, TRDOCR ^{Note}, TRDDF0, TRDDF1, TRDIORA0, TRDIORC0, TRDPOCR0, TRDIORA1, TRDIORC1, and TRDPOCR1

Note The TOC0 bit in the TRDOCR register is enabled as an initial output setting of TRDIOC0 in reset synchronous PWM mode and complementary PWM mode.

[Complementary PWM Mode]

Access registers TRDGRAi to TRDGRDi in 16-bit units. Do not access them in 8-bit units.

The TRDGRC0 register is not used in complementary PWM mode.

The following registers are disabled in complementary PWM mode.

TRDPMR, TRDOCR ^{Note}, TRDIORA0, TRDIORC0, TRDPOCR0, TRDIORA1, TRDIORC1, and TRDPOCR1

Note The TOC0 bit in the TRDOCR register is enabled as an initial output setting of TRDIOC0 in reset synchronous PWM mode and complementary PWM mode.

Since values cannot be written to the TRDGRB0, TRDGRA1, or TRDGRB1 register directly after count operation starts (prohibited item), use the TRDGRD0, TRDGRC1, or TRDGRD1 register as a buffer register.

However, to write data to the TRDGRD0, TRDGRC1, or TRDGRD1 register, set bits TRDBFD0, TRDBFC1, and TRDBFD1 to 0 (general register). After this, bits TRDBFD0, TRDBFC1, and TRDBFD1 may be set to 1 (buffer register).

[PWM3 Mode]

Access registers TRDGRAi to TRDGRDi in 16-bit units. Do not access them in 8-bit units.

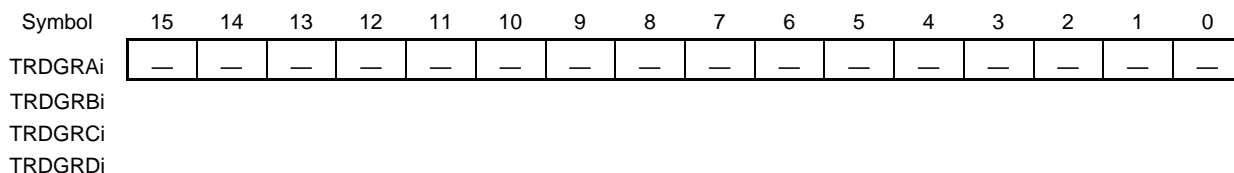
The following registers are disabled in PWM3 mode:

TRDPMR, TRDDF0, TRDDF1, TRDIORA0, TRDIORC0, TRDPOCR0, TRDIORA1, TRDIORC1, and TRDPOCR1

Registers TRDGRC0, TRDGRC1, TRDGRD0, and TRDGRD1 are not used in PWM3 mode. To use them as buffer registers, set bits TRDBFC0, TRDBFC1, TRDBFD0, and TRDBFD1 to 0 (general register) and write a value to the TRDGRC0, TRDGRC1, TRDGRD0, or TRDGRD1 register. After this, bits TRDBFC0, TRDBFC1, TRDBFD0, and TRDBFD1 may be set to 1 (buffer register).

Figure 8-33. Format of Timer RD General Registers Ai, Bi, Ci, and Di (TRDGRAi, TRDGRBi, TRDGRCi, TRDGRDi) (i = 0 or 1) [Input Capture Function]

Address: F0278H (TRDGRA0), F027AH (TRDGRB0), After Reset: FFFFH ^{Note}
 FFF58H (TRDGRC0), FFF5AH (TRDGRD0),
 F0288H (TRDGRA1), F028AH (TRDGRB1),
 FFF5CH (TRDGRC1), FFF5EH (TRDGRD1)



—	Function	R/W
Bits 15 to 0	See Table 8-3 TRDGRji Register Functions in Input Capture Function.	R/W

Note The value after reset is undefined when FRQSEL4 = 1 in the user option byte (000C2H/020C2H) and TRD0EN = 0 in the PER1 register. If it is necessary to read the initial value, set fCLK to fIH and TRD0EN = 1 before reading.

Table 8-3. TRDGRji Register Functions in Input Capture Function

Register	Setting	Register Function	Input-Capture Input Pin
TRDGRAi	—	General register. The value of the TRDi register can be read at input capture.	TRDIOAi
TRDGRBi			TRDIOBi
TRDGRCi	TRDBFCi = 0	General register. The value of the TRDi register can be read at input capture.	TRDIOCi
TRDGRDi	TRDBFDi = 0		TRDIODi
TRDGRCi	TRDBFCi = 1	Buffer register. The value of the TRDi register can be read at input capture (see 8.3.1 (2) Buffer Operation).	TRDIOAi
TRDGRDi	TRDBFDi = 1		TRDIOBi

Remark i = 0 or 1, j = A, B, C, or D
 TRDBFCi, TRDBFDi: Bits in TRDMR register

Figure 8-34. Format of Timer RD General Registers Ai, Bi, Ci, and Di (TRDGRAi, TRDGRBi, TRDGRCi, TRDGRDi) (i = 0 or 1) [Output Compare Function]

Address: F0278H (TRDGRA0), F027AH (TRDGRB0), After Reset: FFFFH ^{Note}
 FFF58H (TRDGRC0), FFF5AH (TRDGRD0),
 F0288H (TRDGRA1), F028AH (TRDGRB1),
 FFF5CH (TRDGRC1), FFF5EH (TRDGRD1)

Symbol	15	14	13	12	11	10	9	8	7	6	5	4	3	2	1	0
TRDGRAi	—	—	—	—	—	—	—	—	—	—	—	—	—	—	—	—
TRDGRBi																
TRDGRCi																
TRDGRDi																

—	Function	R/W
Bits 15 to 0	See Table 8-4 TRDGRji Register Functions in Output Compare Function.	R/W

Note The value after reset is undefined when FRQSEL4 = 1 in the user option byte (000C2H/020C2H) and TRD0EN = 0 in the PER1 register. If it is necessary to read the initial value, set f_{CLK} to f_{IH} and TRD0EN = 1 before reading.

Table 8-4. TRDGRji Register Functions in Output Compare Function

Register	Setting		Register Function	Output-Compare Output Pin	
	TRDBFji	IOj3			
TRDGRAi	—	—	General register. Write the compare value.	TRDIOAi	
TRDGRBi				TRDIOBi	
TRDGRCi	0	1	General register. Write the compare value.	TRDIOCi	
TRDGRDi				TRDIODi	
TRDGRCi	1	1	Buffer register. Write the next compare value (see 8. 3. 1 (2) Buffer Operation).	TRDIOAi	
TRDGRDi				TRDIOBi	
TRDGRCi	0	0	TRDIOAi output control	(See 8. 3. 3 (2) Changing Output Pins in Registers TRDGRCi (i = 0 or 1) and TRDGRDi.)	TRDIOAi
TRDGRDi			TRDIOBi output control		TRDIOBi

Caution When the setting of bits TCK2 to TCK0 in the TRDCRi register is 000B (f_{CLK}, f_{IH}, f_{PLL}, f_{SUB}, and f_{IL}) and the compare value is set to 0000H, a request signal to the data transfer controller (DTC) and the event link controller (ELC) is generated only once immediately after the count starts. When the compare value is 0001H or higher, a request signal is generated each time a compare match occurs.

Remark i = 0 or 1, j = A, B, C, or D

TRDBFji: Bit in TRDMR register, IOj3: Bit in TRDIORCi register

Figure 8-35. Format of Timer RD General Registers Ai, Bi, Ci, and Di (TRDGRAi, TRDGRBi, TRDGRCi, TRDGRDi) (i = 0 or 1) [PWM Mode]

Address: F0278H (TRDGRA0), F027AH (TRDGRB0), After Reset: FFFFH ^{Note}
 FFF58H (TRDGRC0), FFF5AH (TRDGRD0),
 F0288H (TRDGRA1), F028AH (TRDGRB1),
 FFF5CH (TRDGRC1), FFF5EH (TRDGRD1)

Symbol	15	14	13	12	11	10	9	8	7	6	5	4	3	2	1	0
TRDGRAi	—	—	—	—	—	—	—	—	—	—	—	—	—	—	—	—
TRDGRBi																
TRDGRCi																
TRDGRDi																

—	Function	R/W
Bits 15 to 0	See Table 8-5 TRDGRji Register Functions in PWM Function.	R/W

Note The value after reset is undefined when FRQSEL4 = 1 in the user option byte (000C2H/020C2H) and TRD0EN = 0 in the PER1 register. If it is necessary to read the initial value, set f_{CLK} to f_{IH} and TRD0EN = 1 before reading.

Table 8-5. TRDGRji Register Functions in PWM Function

Register	Setting	Register Function	PWM Output Pin
TRDGRAi	—	General register. Set the PWM period.	—
TRDGRBi	—	General register. Set the changing point of PWM output.	TRDIOBi
TRDGRCi	TRDBFCi = 0	General register. Set the changing point of PWM output.	TRDIOCi
TRDGRDi	TRDBFDi = 0		TRDIODi
TRDGRCi	TRDBFCi = 1	Buffer register. Set the next PWM period (see 8.3.1 (2) Buffer Operation).	—
TRDGRDi	TRDBFDi = 1	Buffer register. Set the changing point of the next PWM output (see 8.3.1 (2) Buffer Operation).	TRDIOBi

Caution When the setting of bits TCK2 to TCK0 in the TRDCRi register is 000B (f_{CLK}, f_{IH}, f_{PLL}, f_{SUB}, and f_{IL}) and the compare value is set to 0000H, a request signal to the data transfer controller (DTC) and the event link controller (ELC) is generated only once immediately after the count starts. When the compare value is 0001H or higher, a request signal is generated each time a compare match occurs.

Remark i = 0 or 1, j = A, B, C, or D
 TRDBFCi, TRDBFDi: Bits in TRDMR register

Figure 8-36. Format of Timer RD General Registers Ai, Bi, Ci, and Di (TRDGRAi, TRDGRBi, TRDGRCi, TRDGRDi) (i = 0 or 1) [Reset Synchronous PWM Mode]

Address: F0278H (TRDGRA0), F027AH (TRDGRB0), After Reset: FFFFH ^{Note}
 FFF58H (TRDGRC0), FFF5AH (TRDGRD0),
 F0288H (TRDGRA1), F028AH (TRDGRB1),
 FFF5CH (TRDGRC1), FFF5EH (TRDGRD1)

Symbol	15	14	13	12	11	10	9	8	7	6	5	4	3	2	1	0
TRDGRAi	—	—	—	—	—	—	—	—	—	—	—	—	—	—	—	—
TRDGRBi																
TRDGRCi																
TRDGRDi																

—	Function	R/W
Bits 15 to 0	See Table 8-6 TRDGRji Register Functions in Reset Synchronous PWM Mode.	R/W

Note The value after reset is undefined when FRQSEL4 = 1 in the user option byte (000C2H/020C2H) and TRD0EN = 0 in the PER1 register. If it is necessary to read the initial value, set f_{CLK} to f_{IH} and TRD0EN = 1 before reading.

Table 8-6. TRDGRji Register Functions in Reset Synchronous PWM Mode

Register	Setting	Register Function	PWM Output Pin
TRDGRA0	—	General register. Set the PWM period.	(TRDIOC0, output inverted every PWM period)
TRDGRB0	—	General register. Set the changing point of PWM1 output.	TRDIOB0 TRDIOD0
TRDGRC0	TRDBFC0 = 0	(Not used in reset synchronous PWM mode.)	—
TRDGRD0	TRDBFD0 = 0		
TRDGRA1	—	General register. Set the changing point of PWM2 output.	TRDIOA1 TRDIOC1
TRDGRB1	—	General register. Set the changing point of PWM3 output.	TRDIOB1 TRDIOD1
TRDGRC1	TRDBFC1 = 0	(Not used in reset synchronous PWM mode.)	—
TRDGRD1	TRDBFD1 = 0		
TRDGRC0	TRDBFC0 = 1	Buffer register. Set the next PWM period (see 8.3.1 (2) Buffer Operation).	(TRDIOC0, output inverted every PWM period)
TRDGRD0	TRDBFD0 = 1	Buffer register. Set the changing point of the next PWM1 (see 8.3.1 (2) Buffer Operation).	TRDIOB0 TRDIOD0
TRDGRC1	TRDBFC1 = 1	Buffer register. Set the changing point of the next PWM2 (see 8.3.1 (2) Buffer Operation).	TRDIOA1 TRDIOC1
TRDGRD1	TRDBFD1 = 1	Buffer register. Set the changing point of the next PWM3 (see 8.3.1 (2) Buffer Operation).	TRDIOB1 TRDIOD1

Caution When the setting of bits TCK2 to TCK0 in the TRDCR0 register is 000B (f_{CLK}, f_{IH}, f_{PLL}, f_{SUB}, and f_{IL}) and the compare value is set to 0000H, a request signal to the data transfer controller (DTC) and the event link controller (ELC) is generated only once immediately after the count starts. When the compare value is 0001H or higher, a request signal is generated each time a compare match occurs.

Remark i = 0 or 1, j = A, B, C, or D
 TRDBFC0, TRDBFD0, TRDBFC1, TRDBFD1: Bits in TRDMR register

Figure 8-37. Format of Timer RD General Registers Ai, Bi, Ci, and Di (TRDGRAi, TRDGRBi, TRDGRCi, TRDGRDi) (i = 0 or 1) [Complementary PWM Mode]

Address: F0278H (TRDGRA0), F027AH (TRDGRB0), After Reset: FFFFH ^{Note}
 FFF58H (TRDGRC0), FFF5AH (TRDGRD0),
 F0288H (TRDGRA1), F028AH (TRDGRB1),
 FFF5CH (TRDGRC1), FFF5EH (TRDGRD1)

Symbol	15	14	13	12	11	10	9	8	7	6	5	4	3	2	1	0
TRDGRAi	—	—	—	—	—	—	—	—	—	—	—	—	—	—	—	—
TRDGRBi																
TRDGRCi																
TRDGRDi																

—	Function	R/W
Bits 15 to 0	See Table 8-7 TRDGRji Register Functions in Complementary PWM Mode.	R/W

Note The value after reset is undefined when FRQSEL4 = 1 in the user option byte (000C2H/020C2H) and TRD0EN = 0 in the PER1 register. If it is necessary to read the initial value, set f_{CLK} to f_{IH} and TRD0EN = 1 before reading.

Table 8-7. TRDGR*ji* Register Functions in Complementary PWM Mode

Register	Setting	Register Function	PWM Output Pin
TRDGRA0	—	General register. Set the PWM period at initialization. Setting range: \geq Value set in TRD0 register \leq FFFFh - value set in TRD0 register Do not write to this register when bits TSTART0 and TSTART1 in the TRDSTR register are set to 1 (count starts).	(TRDIOC0, output inverted every half period)
TRDGRB0	—	General register. Set the changing point of PWM1 output at initialization. Setting range: \geq Value set in TRD0 register \leq Value set in TRDGRA0 register - value set in TRD0 register Do not write to this register when bits TSTART0 and TSTART1 in the TRDSTR register are set to 1 (count starts).	TRDIOB0 TRDIOD0
TRDGRA1	—	General register. Set the changing point of PWM2 output at initialization. Setting range: \geq Value set in TRD0 register \leq Value set in TRDGRA0 register - value set in TRD0 register Do not write to this register when bits TSTART0 and TSTART1 in the TRDSTR register are set to 1 (count starts).	TRDIOA1 TRDIOC1
TRDGRB1	—	General register. Set the changing point of PWM3 output at initialization. Setting range: \geq Value set in TRD0 register \leq Value set in TRDGRA0 register - value set in TRD0 register Do not write to this register when bits TSTART0 and TSTART1 in the TRDSTR register are set to 1 (count starts).	TRDIOB1 TRDIOD1
TRDGRC0	—	(Not used in complementary PWM mode.)	—
TRDGRD0	TRDBFD0 = 1	Buffer register. Set the changing point of next PWM1 output (see 8.3.1(2) Buffer Operation). Setting range: \geq Value set in TRD0 register \leq Value set in TRDGRA0 register - value set in TRD0 register Set this register to the same value as the TRDGRB0 register for initialization.	TRDIOB0 TRDIOD0
TRDGRC1	TRDBFC1 = 1	Buffer register. Set the changing point of next PWM2 output (see 8.3.1(2) Buffer Operation). Setting range: \geq Value set in TRD0 register \leq Value set in TRDGRA0 register - value set in TRD0 register Set this register to the same value as the TRDGRA1 register for initialization.	TRDIOA1 TRDIOC1
TRDGRD1	TRDBFD1 = 1	Buffer register. Set the changing point of next PWM3 output (see 8.3.1(2) Buffer Operation). Setting range: \geq Value set in TRD0 register \leq Value set in TRDGRA0 register - value set in TRD0 register Set this register to the same value as the TRDGRB1 register for initialization.	TRDIOB1 TRDIOD1

Caution When the setting of bits TCK2 to TCK0 in the TRDCR*i* register is 000B (f_{CLK} , f_{IH} , f_{PLL} , f_{SUB} , and f_{IL}) and the compare value is set to 0000H, a request signal to the data transfer controller (DTC) and the event link controller (ELC) is generated only once immediately after the count starts. When the compare value is 0001H or higher, a request signal is generated each time a compare match occurs.

Remark $i = 0$ or 1 , $j = A, B, C$, or D
TRDBFD0, TRDBFC1, TRDBFD1: Bits in TRDMR register

Figure 8-38. Format of Timer RD General Registers Ai, Bi, Ci, and Di (TRDGRAi, TRDGRBi, TRDGRCi, TRDGRDi) (i = 0 or 1) [PWM3 Mode]

Address: F0278H (TRDGRA0), F027AH (TRDGRB0), After Reset: FFFFH ^{Note}
 FFF58H (TRDGRC0), FFF5AH (TRDGRD0),
 F0288H (TRDGRA1), F028AH (TRDGRB1),
 FFF5CH (TRDGRC1), FFF5EH (TRDGRD1)

Symbol	15	14	13	12	11	10	9	8	7	6	5	4	3	2	1	0
TRDGRAi	—	—	—	—	—	—	—	—	—	—	—	—	—	—	—	—
TRDGRBi																
TRDGRCi																
TRDGRDi																

—	Function	R/W
Bits 15 to 0	See Table 8-8 TRDGRji Register Functions in PWM3 Mode.	R/W

Note The value after reset is undefined when FRQSEL4 = 1 in the user option byte (000C2H/020C2H) and TRD0EN = 0 in the PER1 register. If it is necessary to read the initial value, set f_{CLK} to f_{IH} and TRD0EN = 1 before reading.

Table 8-8. TRDGR*j*i Register Functions in PWM3 Mode

Register	Setting	Register Function	PWM Output Pin
TRDGRA0	—	General register. Set the PWM period . Setting range: \geq Value set in TRDGRA1 register	TRDIOA0
TRDGRA1	—	General register. Set the changing point (active level timing) of PWM output Setting range: \leq Value set in TRDGRA0 register	—
TRDGRB0	—	General register. Set the changing point (the timing for returning to initial output level) of PWM output. Setting range: \geq Value set in TRDGRB1 register and \leq Value set in TRDGRA0 register	TRDIOB0
TRDGRB1	—	General register. Set the changing point (active level timing) of PWM output Setting range: \leq Value set in TRDGRB0 register	—
TRDGRC0	TRDBFC0 = 0	(Not used in PWM3 mode.)	—
TRDGRC1	TRDBFC1 = 0		
TRDGRD0	TRDBFD0 = 0		
TRDGRD1	TRDBFD1 = 0		
TRDGRC0	TRDBFC0 = 1	Buffer register. Set the next PWM period (see 8.3.1 (2) Buffer Operation). Setting range: \geq Value set in TRDGRC1 register	TRDIOA0
TRDGRC1	TRDBFC1 = 1	Buffer register. Set the changing point of next PWM output (see 8.3.1 (2) Buffer Operation). Setting range: \leq Value set in TRDGRC0 register	—
TRDGRD0	TRDBFD0 = 1	Buffer register. Set the changing point of next PWM output (see 8.3.1 (2) Buffer Operation). Setting range: \geq Value set in TRDGRD1 register and \leq Value set in TRDGRC0 register	TRDIOB0
TRDGRD1	TRDBFD1 = 1	Buffer register. Set the changing point of next PWM output (see 8.3.1 (2) Buffer Operation). Setting range: \leq Value set in TRDGRD0 register	—

Caution When the setting of bits TCK2 to TCK0 in the TRDCR0 register is 000B (f_{CLK} , f_{IH} , f_{PLL} , f_{SUB} , and f_{IL}) and the compare value is set to 0000H, a request signal to the data transfer controller (DTC) and the event link controller (ELC) is generated only once immediately after the count starts. When the compare value is 0001H or higher, a request signal is generated each time a compare match occurs.

Remark $i = 0$ or 1 , $j = A, B, C$, or D

TRDBFC0, TRDBFD0, TRDBFC1, TRDBFD1: Bits in TRDMR register

8.2.20 PWM Output Delay Control Register 0 (PWMDLY0)

This register controls output delay of PWM output signal output from the TRDIOj0 and TRDIOj1 pins.

Set the PWMDLY0 register by a 16-bit memory manipulation instruction.

Reset signal generation clears this register to 0000H.

PWMDLY0 register

Address: F0229H After Reset: 00H R/W

	15	14	13	12	11	10	9	8
PWMDLY0	TRDD11 ^{Note}	TRDD10 ^{Note}	TRDC11 ^{Note}	TRDC10 ^{Note}	TRDB11	TRDB10	TRDA11	TRDA10
Initial value	0	0	0	0	0	0	0	0
R/W	R/W	R/W	R/W	R/W	R/W	R/W	R/W	R/W

Address: F0228H After Reset: 00H R/W

	7	6	5	4	3	2	1	0
PWMDLY0	TRDD01	TRDD00	TRDC01	TRDC00	TRDB01	TRDB00	TRDA01	TRDA00
Initial value	0	0	0	0	0	0	0	0
R/W	R/W	R/W	R/W	R/W	R/W	R/W	R/W	R/W

Table 8-9. PWM Output Delay Period Control by TRDIOj1 of Timer RD1

TRDj11	TRDj10	PWM Output Delay Control by TRDIOj1 of Timer RD1
0	0	No delay.
0	1	TRDIOj1 signal delayed by one cycle of the timer RD operating clock (f_{TRD}).
1	0	TRDIOj1 signal delayed by two cycles of the timer RD operating clock (f_{TRD}).
1	1	TRDIOj1 signal delayed by three cycles of the timer RD operating clock (f_{TRD}).

j = A, B, C, or D

Table 8-10. PWM Output Delay Period Control by TRDIOj0 of Timer RD0

TRDj01	TRDj00	PWM Output Delay Control by TRDIOj0 of Timer RD0
0	0	No delay.
0	1	TRDIOj0 signal delayed by one cycle of the timer RD operating clock (f_{TRD}).
1	0	TRDIOj0 signal delayed by two cycles of the timer RD operating clock (f_{TRD}).
1	1	TRDIOj0 signal delayed by three cycles of the timer RD operating clock (f_{TRD}).

j = A, B, C, or D

Note If this register is set for a delay, this affects PWM outputs of TRDIOC1 and TRDIOD1, but doesn't affect the operation of the timer output signal to internally connected peripheral functions.

- Cautions**
1. Set the PWMDLY0 register before outputting a PWM signal.
 2. Access the PWMDLY0 register in 16 bits. 1-bit access and 8-bit access are prohibited.
 3. If this register is not used for PWM output, it should be cleared to 0. This is because the timer output is delayed by the output delay setting shown above even when the timer output mode other than PWM output mode is selected.
 4. When setting this register after the PWM output is stopped, wait for four cycles of the timer RD operating clock (f_{TRD}) before the setting.
 5. When using SNZOUT, set TRDC0n to 0 before entering STOP mode (n = 0, 1).
 6. Even if this register is set for a delay, this doesn't affect the operation of other pin functions multiplexed on the same pin as the TRDIOji pin function (j = A, B, C, D, i = 0, 1).

8.2.21 Port mode registers (PM1, PM3, PM12)

These registers set input/output of port in 1-bit units. PM1, PM3, and PM12 are used in timer RD.

When using the ports (P13/TRDIOA0, P16/TRDIOC1, etc.) to be shared with the timer output pin for timer output, set the bit in the port mode register (PMxx) and the bit in the port register (Pxx) corresponding to each port to 0.

Example: When using P13/TRDIOA0 for timer output

Set the PM13 bit of port mode register 1 to 0.

Set the P13 bit of port register 1 to 0.

When using the ports (P13/TRDIOA0, P16/TRDIOC1, etc.) to be shared with the timer input pin for timer input, set the bit in the port mode register (PMxx) corresponding to each port to 1. At this time, the bit in the port register (Pxx) may be 0 or 1.

Example: When using P13/TRDIOA0 for timer input

Set the PM13 bit of port mode register 1 to 1.

Set the P13 bit of port register 1 to 0 or 1.

The PM1, PM3, and PM12 registers can be set by a 1-bit or 8-bit memory manipulation instruction.

Reset signal generation sets this register to FFH.

Figure 8-39. Format of Port Mode Registers (PM1, PM3, PM12)

Address: FFF21H After reset: FFH R/W

Symbol	7	6	5	4	3	2	1	0
PM1	PM17	PM16	PM15	PM14	PM13	PM12	PM11	PM10

Address: FFF23H After reset: FFH R/W

Symbol	7	6	5	4	3	2	1	0
PM3	1	1	1	PM34	PM33	PM32	PM31	PM30

Address: FFF2CH After reset: FFH R/W

Symbol	7	6	5	4	3	2	1	0
PM12	PM127	PM126	PM125	1	1	1	1	PM120

PMmn	Pmn pin I/O mode selection (m = 1, 3, 12; n = 0 to 7)
0	Output mode (output buffer on)
1	Input mode (output buffer off)

8.3 Operation

8.3.1 Items Common to Multiple Modes

(1) Count Sources

The count source selection method is the same in all modes. However, the external clock cannot be selected in PWM3 mode.

Table 8-11. Count Source Selection

Count Source	Selection
f_{CLK} , $f_{CLK}/2$, $f_{CLK}/4$, $f_{CLK}/8$, $f_{CLK}/32$	The FRQSEL4 bit in the user option byte (000C2H/020C2H) is cleared to 0 and the PLLDIV1 bit in the PLL control register (PLLCTL) is cleared to 0, or the SELPLLS bit in the PLL status register (PLLSTS) is cleared to 0 and the TRD_CKSEL bit in the clock select register (CKSEL) is cleared to 0. A count source is selected by bits TCK2 to TCK0 in the TRDCRi register.
f_{IH}	The MCM0 bit in the clock system control register (CKC) is cleared to 0, the SELPLL bit in the PLL control register (PLLCTL) is cleared to 0, the FRQSEL4 bit in the user option byte (000C2H/020C2H) is set to 1, and the TRD_CKSEL bit in the clock select register (CKSEL) is cleared to 0. A count source is selected by bits TCK2 to TCK0 in the TRDCRi register.
f_{PLL}	The SELPLL bit in the PLL control register (PLLCTL) is set to 1, the PLLDIV1 bit in the PLL control register (PLLCTL) is set to 1, the SELPLLS bit in the PLL status register (PLLSTS) is set to 1, and the TRD_CKSEL bit in the clock select register (CKSEL) is cleared to 0. The count source is selected by bits TCK2 to TCK0 in the TRDCRi register.
f_{SUB}	The SELLOSC bit in the clock select register (CKSEL) is cleared to 0 and the TRD_CKSEL bit in the clock select register (CKSEL) is set to 1. A count source is selected by bits TCK2 to TCK0 in the TRDCRi register.
f_{IL}	The SELLOSC bit in the clock select register (CKSEL) is set to 1 and the TRD_CKSEL bit in clock select register (CKSEL) is set to 1. A count source is selected by bits TCK2 to TCK0 in the TRDCRi register.
External signal input to TRDCLK0 pin	The STCLK bit in the TRDFCR register is set to 1 (external clock input enabled). Bits TCK2 to TCK0 in the TRDCRi register are set to 101B. The active edge is selected by bits CKEG1 and CKEG0 in the TRDCRi register. The PM bit in the PM register of the port used as a TRDCLK0 pin is set to 1 (input mode).

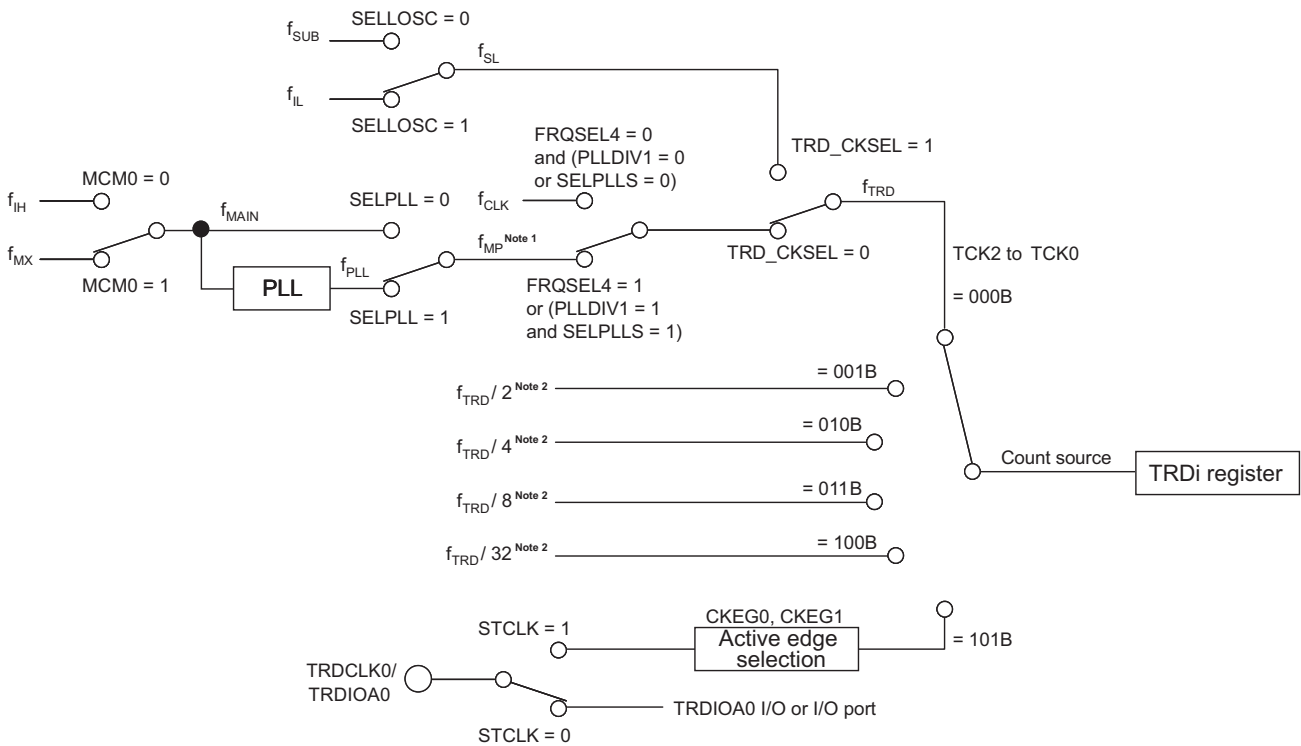
Remark i = 0 or 1

Notes on count source setting is described below.

Notes on Count Source Setting of Timer RD

Count Source	Notes on Setting
f _{CLK} , f _{CLK} /2, f _{CLK} /4, f _{CLK} /8, f _{CLK} /32	<p>Set the TRD_CKSEL bit in the CKSEL register to 0 (f_{CLK}/f_{MIP} is selected), the FRQSEL4 bit in the user option byte (000C2H/020C2H) to 0 (f_{IH}≤32 MHz), and the PLLDIV1 bit in the PLLCTL register to 0 (f_{PLL}≤32 MHz).</p> <p>Do not set f_{CLK}/2, f_{CLK}/4, f_{CLK}/8, or f_{CLK}/32 when FRQSEL4 = 1.</p> <p>The count sources cannot be used when SNOOZE status is output.</p>
f _{IH} , f _{PLL}	<p>When f_{IH}/f_{PLL} (64 MHz or 48 MHz) or f_{PLL} (over 32 MHz) is used, set the CSS bit in the CKC register to 0 (f_{CLK} = f_{MIP} is selected).</p> <p>When f_{IH}/f_{PLL} (64 MHz or 48 MHz) is used, set bits MDIV2 to MDIV0 in the MDIV register to 001B (f_{MIP}/2 is selected)</p> <p>When f_{IH}/f_{PLL} (64 MHz or 48 MHz) or f_{PLL} (over 32 MHz) is used, set the TRD_CKSEL bit in the CKSEL register to 0 (f_{CLK}/f_{MIP} is selected).</p> <p>When f_{IH}/f_{PLL} (64 MHz or 48 MHz) or f_{PLL} (over 32 MHz) is used, set the CSS bit, MDIV2 to MDIV0 bits, and TRD_CKSEL bit before setting the TRD0EN bit in the PER1 register.</p> <p>Set the f_{CLK} to the clock source which is same as the count source before setting bit 4 (TRD0EN) in the peripheral enable register 1 (PER1).</p> <p>Setting the FRQSEL4 bit in the user option byte (000C2H/020C2H) to 1 (f_{IH} = 64 MHz/48 MHz) and the PLLDIV bit in the PLLCTL register to 1 (f_{PLL} > 32 MHz) is prohibited.</p> <p>The count sources cannot be used when SNOOZE status is output.</p>
f _{SUB} , f _{IL}	<p>When the CPU accesses the timer RD register, set the CSS bit in the CKC register to 1 (f_{CLK} = f_{SL} is selected).</p> <p>Set the f_{CLK} to the clock source which is same as the count source before setting bit 4 (TRD0EN) in the peripheral enable register 1 (PER1).</p> <p>The count sources should be set when SNOOZE status is output.</p>

Figure 8-40. Count Source Block Diagram



- Notes**
1. f_{IH} cannot be selected when it is 64 MHz or 48 MHz. f_{PLL} can be selected when it is over 32 MHz.
 2. With this setting, select f_{CLK} as the timer RD operating clock (f_{TRD}).

Remark $i = 0$ or 1

- TCK0 to TCK2, CKEG0, CKEG1: Bits in TRDCR i register
- STCLK: Bit in TRDFCR register
- FREQSEL4: Bit in user option byte (000C2H/020C2H)
- MCM0: Bit in CKC register
- SELPLL: Bit in PLLCTL register
- PLLDIV1: Bit in PLLCTL register
- SELPLLS: Bit in PLLSTS register
- SELLOSC: Bit in CKSEL register
- TDC_CKSEL: Bit in CKSEL register

Set the pulse width of the external clock applied to the TRDCLK0 pin to three or more cycles of the timer RD operating clock (f_{TRD}).

(2) Buffer Operation

The TRDGRC_i register (i = 0 or 1) can be used as the buffer register for the TRDGRA_i register, and the TRDGRD_i register can be used as the buffer register for the TRDGRB_i register by means of bits TRDBFC_i and TRDBFD_i in the TRDMR register.

- TRDGRA_i buffer register: TRDGRC_i register
- TRDGRB_i buffer register: TRDGRD_i register

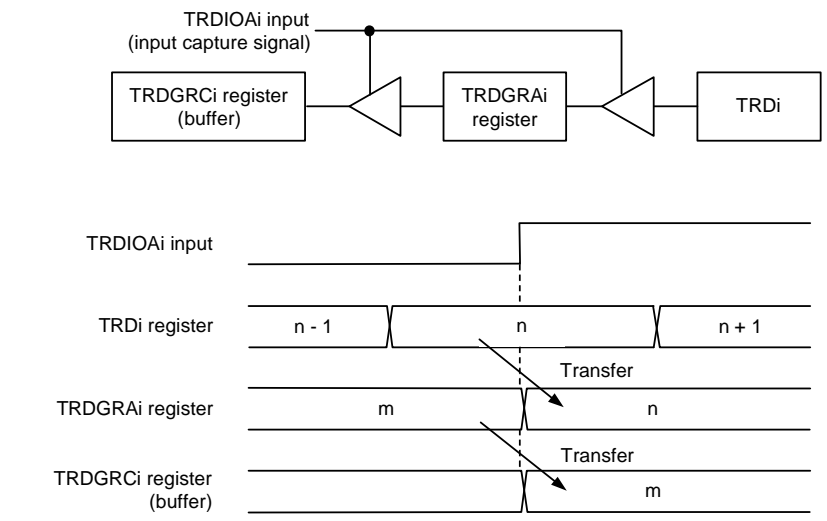
Buffer operation depends on the mode. Table 8-12 lists the Buffer Operation in Each Mode.

Table 8-12. Buffer Operation in Each Mode

Function and Mode		Transfer Timing	Transfer Register
Timer mode	Input capture function	Input capture signal input	Transfer content of TRDGRA _i (TRDGRB _i) register to buffer register
	Output compare function	Compare match with TRD _i register and TRDGRA _i (TRDGRB _i) register	Transfer content of buffer register to TRDGRA _i (TRDGRB _i) register
	PWM function		
Reset synchronous PWM mode		Compare match with TRD0 register and TRDGRA0 register	Transfer content of buffer register to TRDGRA _i (TRDGRB _i) register
Complementary PWM mode		Compare match with TRD0 register and TRDGRA0 register TRD1 register underflow	Transfer content of buffer register to registers TRDGRB0, TRDGRA1, and TRDGRB1
PWM3 mode		Compare match with TRD0 register and TRDGRA0 register	Transfer content of buffer register to TRDGRA _i (TRDGRB _i) register

Remark i = 0 or 1

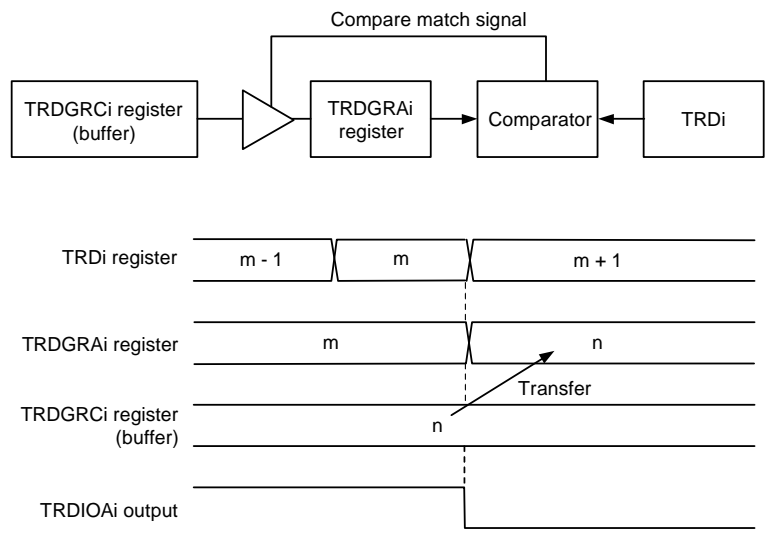
Figure 8-41. Buffer Operation in Input Capture Function



Remark
i = 0 or 1

- The above diagram applies under the following conditions:
- The TRDBFCi bit in the TRDMR register is set to 1 (TRDGRci register is buffer register for TRDGRAi register).
 - Bits IOA2 to IOA0 in the TRDIORAi register are set to 100B (input capture at the rising edge).

Figure 8-42. Buffer Operation in Output Compare Function



Remark
i = 0 or 1

- The above diagram applies under the following conditions:
- The TRDBFCi bit in the TRDMR register is set to 1 (TRDGRci register is buffer register for TRDGRAi register).
 - Bits IOA2 to IOA0 in the TRDIORAi register are set to 001B (low output by compare match).

Perform the following for the timer mode (input capture and output compare functions).

When using the TRDGRC_i (i = 0 or 1) register as the buffer register for the TRDGRA_i register

- Set the IOC3 bit in the TRDIORC_i register to 1 (general register or buffer register).
- Set the IOC2 bit in the TRDIORC_i register to the same value as the IOA2 bit in the TRDIORA_i register.

When using the TRDGRD_i register as the buffer register for the TRDGRB_i register

- Set the IOD3 bit in the TRDIORC_i register to 1 (general register or buffer register).
- Set the IOD2 bit in the TRDIORC_i register to the same value as the IOB2 bit in the TRDIORA_i register.

In the input capture function, when the TRDGRC_i register or TRDGRD_i register is used as a buffer register, the IMFC bit or IMFD bit in the TRDSR_i register is set to 1 at the input edge of the TRDIOC_i pin or TRDIOD_i pin.

When also using registers TRDGRC_i and TRDGRD_i as buffer registers for the output compare function, PWM function, reset synchronous PWM mode, complementary PWM mode, and PWM3 mode, bits IMFC and IMFD in the TRDSR_i register are set to 1 by a compare match with the TRD_i register.

(3) Synchronous Operation

The TRD1 register is synchronized with the TRD0 register

- Synchronous preset

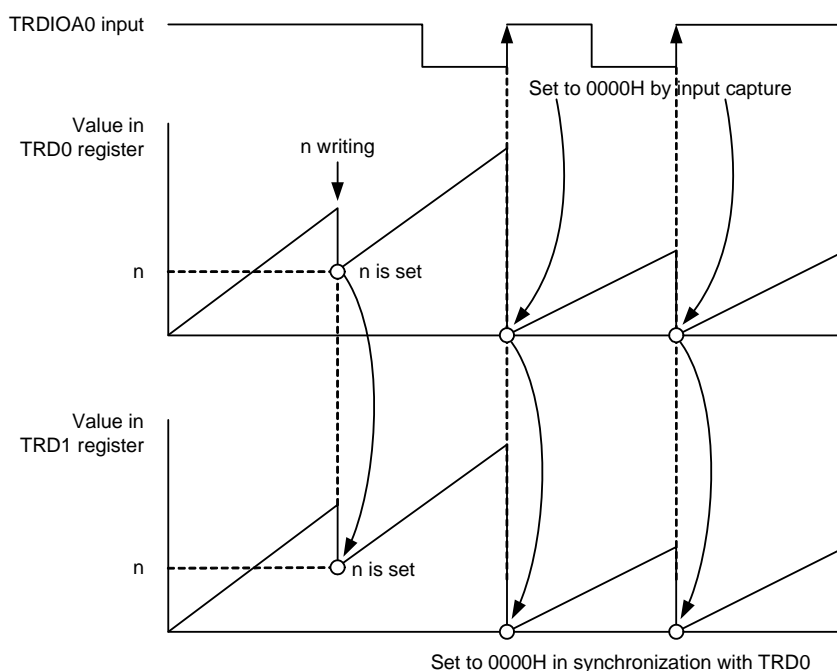
When the TRDSYNC bit in the TRDMR register is set to 1 (synchronous operation), the data is written to both the TRD0 and TRD1 registers after writing to the TRDi register.

- Synchronous clear

When the TRDSYNC bit is 1 and bits CCLR2 to CCLR0 in the TRDCR0 register are 011B (synchronous clear), the TRD0 register is set to 0000H at the same time as the TRD1 register is set to 0000H.

Also, when the TRDSYNC bit is 1 and bits CCLR2 to CCLR0 are 011B (synchronous clear), the TRD1 register is set to 0000H at the same time as the TRD0 register is set to 0000H.

Figure 8-43. Synchronous Operation



The above diagram applies under the following conditions:

- The TRDSYNC bit in the TRDMR register is set to 1 (synchronous operation).
- Bits CCLR2 to CCLR0 in the TRDCR0 register are set to 001B (TRD0 is set to 0000H by input capture).
- Bits CCLR2 to CCLR0 in the TRDCR1 register are set to 011B (TRD1 is set to 0000H in synchronization with TRD0).
- Bits IOA2 to IOA0 in the TRDIORA0 register are set to 100B.
- Bits CMD1 to CMD0 in the TRDFCR register are set to 00B. } (Input capture at the rising edge of TRDIOA0 input)
- The PWM 3 bit in the TRDFCR register is set to 1.

(4) Pulse Output Forced Cutoff

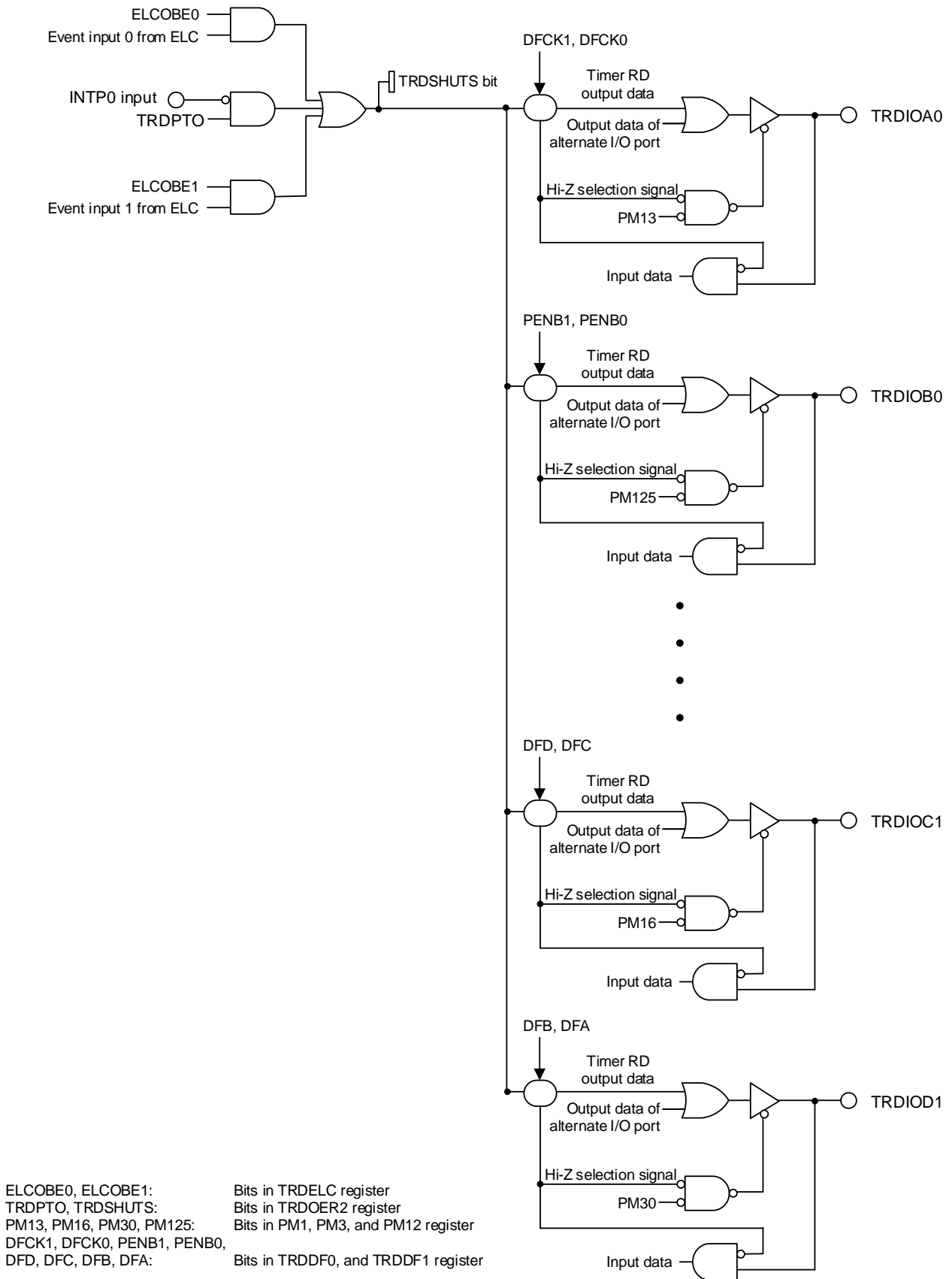
In the PWM function, reset synchronous PWM mode, complementary PWM mode, and PWM3 mode, the TRDIO_{ji} output pin ($i = 0$ or 1 , $j = A, B, C,$ or D) can be forcibly set to an I/O port by the INTP0 pin input, and pulse output can be cut off.

The pins used for output in these functions or modes can function as the output pin of timer RD when the corresponding bit in the TRDOER1 register is set to 0 (timer RD output enabled). When the TRDPTO bit in the TRDOER2 register is 1 (pulse output forced cutoff signal input INTP0 enabled), the output pin used as a timer RD output port outputs the output value set by the DFCK1, DFCK0, PENB1, PENB0, DFD, DFC, DFB, or DFA bit in the TRDDF0 or TRDDF1 register.

Make the following settings to use this function:

- Set the pin state when the pulse output is forcibly cut off (high impedance, low output, or high output) using TRDDFi.
- Refer to **8.3.1 (5) Event Input from Event Link Controller (ELC)** for details on pulse forced cutoff by ELC event input.
- When pulse output is forcibly cut out, the TRDSHUTS bit in the TRDOER2 register is set to 1. To suspend the forced cutoff of the pulse output, set the TRDSHUTS bit to 0 while the count is stopped ($TSTART_i = 0$).
- Set the TRDPTO bit in the TRDOER2 register to 1 (pulse output forced cutoff signal input INTP0 enabled).

Figure 8-44. Pulse Output Forced Cutoff



(5) Event Input from Event Link Controller (ELC)

Timer RD performs two operations by event input from the ELC.

(a) Input capture operation D0/D1

Timer RD performs input capture operation D0/D1 by event input from the ELC. The IMFD bit in the TRDSRi register is set to 1 at this time. To use this function, select the input capture function in timer mode and set the ELCICE0 or ELCICE1 bit in the TRDELc register to 1. This function is disabled in any other modes (for the output compare function in timer mode, PWM function, reset synchronous PWM mode, complementary PWM mode, and PWM3 mode).

(b) Pulse output forced cutoff operation ^{Note}

The pulse output is forcibly cutoff by event input from the ELC. To use this function, select pulse output mode (PWM function, reset synchronous PWM mode, complementary PWM mode, or PWM3 mode) and set the ELCOBE0 or ELCOBE1 bit to 1. This function is disabled for the input capture function in timer mode.

Note The pulse output is cutoff during the low input period for forced cutoff from the INTP0 pin, but the pulse output is cutoff once by a single event input from the ELC for forced cutoff by the ELC event.

[Setting Procedure]

- (1) Set timer RD as the ELC event link destination.
- (2) Set bits ELCICEi (i = 0 or 1) and ELCOBEi (i = 0 or 1) to 1 in the TRDELc register.

(6) Event Output to Event Link Controller (ELC)/DTC

Table 8-13 lists the Timer RD Modes and Event Output to ELC/DTC.

Table 8-13. Timer RD Modes and Event Output to ELC/DTC

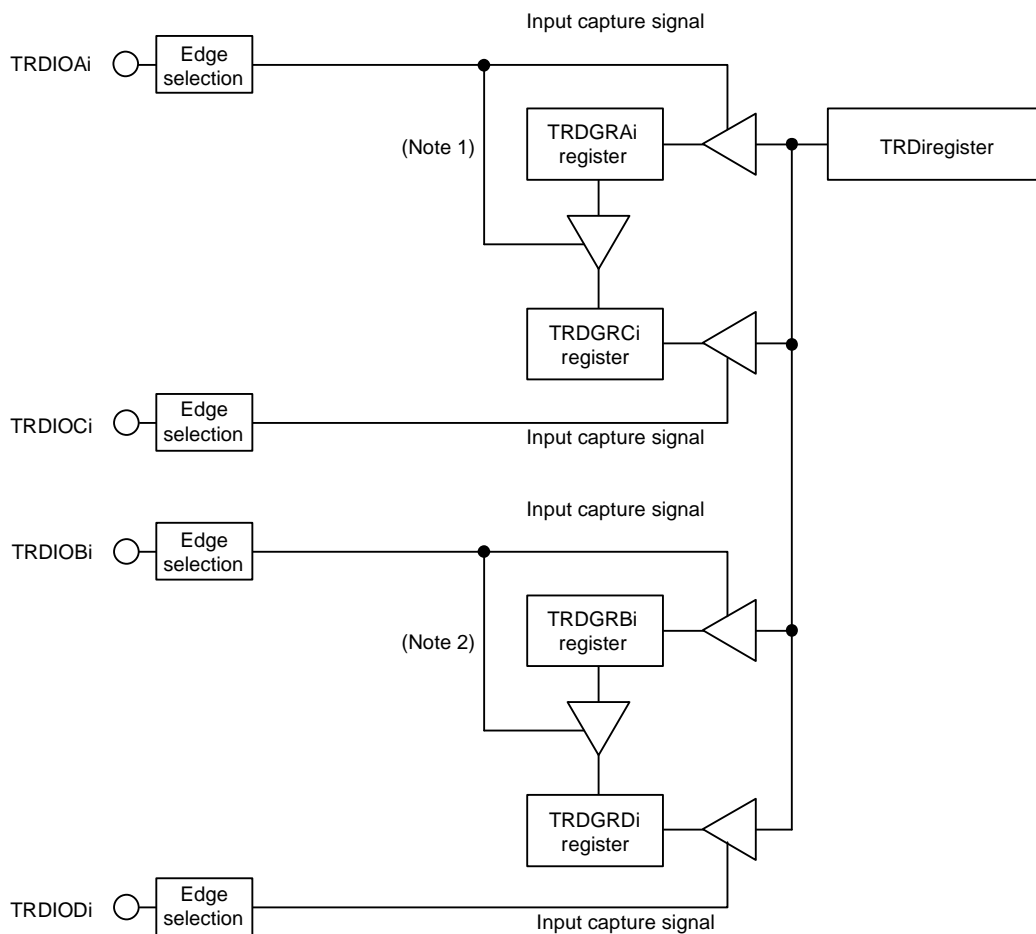
Used Mode	Output Source	ELC	DTC
Input capture function	TRDIOA0 edge detection set by bits IOA1 and IOA0 in the TRDIORA0 register	Available	Available
	TRDIOB0 edge detection set by bits IOB1 and IOB0 in the TRDIORA0 register	Available	Available
	TRDIOC0 edge detection set by bits IOC1 and IOC0 in the TRDIORC0 register	-	Available
	TRDIOD0 edge detection set by bits IOD1 and IOD0 in the TRDIORC0 register	-	Available
	TRDIOA1 edge detection set by bits IOA1 and IOA0 in the TRDIORA1 register	Available	Available
	TRDIOB1 edge detection set by bits IOB1 and IOB0 in the TRDIORA1 register	Available	Available
	TRDIOC1 edge detection set by bits IOC1 and IOC0 in the TRDIORC1 register	-	Available
	TRDIOD1 edge detection set by bits IOD1 and IOD0 in the TRDIORC1 register	-	Available
Output compare function, PWM function, reset synchronous PWM mode, complementary PWM mode, and PWM3 mode	Compare match between registers TRD0 and TRDGRA0	Available	Available
	Compare match between registers TRD0 and TRDGRB0	Available	Available
	Compare match between registers TRD0 and TRDGRC0	-	Available
	Compare match between registers TRD0 and TRDGRD0	-	Available
	Compare match between registers TRD1 and TRDGRA1	Available	Available
	Compare match between registers TRD1 and TRDGRB1	Available	Available
	Compare match between registers TRD1 and TRDGRC1	-	Available
	Compare match between registers TRD1 and TRDGRD1	-	Available
Complementary PWM mode	TRD1 register underflow	Available	-

8.3.2 Input Capture Function

The input capture function measures the external signal width and period. The content of the TRDi register (counter) is transferred to the TRDGRj register as a trigger of the TRDIOj pin (i = 0 or 1, j = A, B, C, or D) external signal (input capture). Since this function is enabled with a combination of the TRDIOj pin and TRDGRj register, the input capture function, or any other mode or function, can be selected for each individual pin.

Figure 8-45 shows the Block Diagram of Input Capture Function, Table 8-14 lists the Input Capture Function Specifications, and Figure 8-46 shows an Operation Example of Input Capture Function.

Figure 8-45. Block Diagram of Input Capture Function



Remark
i = 0 or 1

Notes:

1. When the TRDBFCi bit in the TRDMR register is set to 1 (TRDGRCi register is buffer register for TRDGRAi register,
2. When the TRDBFDi bit in the TRDMR register is set to 1 (TRDGRDi register is buffer register for TRDGRBi register,

Table 8-14. Input Capture Function Specifications

Item	Specification
Count sources ^{Note}	f_{CLK} , f_{PLL} , f_{IH} , f_{SUB} , f_{PL} External signal input to the TRDCLK0 pin (active edge selected by a program)
Count operations	Increment
Count period	When bits CCLR2 to CCLR0 in the TRDCRi register are set to 000B (free-running operation). $1/f_k \times 65536 f_k$: Frequency of count source
Count start condition	1 (count starts) is written to the TSTARTi bit in the TRDSTR register.
Count stop condition	0 (count stops) is written to the TSTARTi bit in the TRDSTR register when the CSELi bit in the TRDSTR register is set to 1.
Interrupt request generation timing	<ul style="list-style-type: none"> Input capture (active edge of TRDIOji input) TRDi register overflow
TRDIOA0 pin function	I/O port, input-capture input, or TRDCLK (external clock) input
TRDIOB0, TRDIOC0, TRDIOD0, TRDIOA1 to TRDIOD1 pin function	I/O port or input-capture input (selectable for each pin)
INTP0 pin function	Not used (port or INTP0 interrupt input)
Read from timer	The count value can be read by reading the TRDi register.
Write to timer	<ul style="list-style-type: none"> When the TRDSYNC bit in the TRDMR register is 0 (timer RD0 and timer RD1 operate independently). Data can be written to the TRDi register. When the TRDSYNC bit in the TRDMR register is 1 (timer RD0 and timer RD1 operate synchronously). Data can be written to both the TRD0 and TRD1 registers by writing to the TRDi register.
Selectable functions	<ul style="list-style-type: none"> Input-capture input pin selection Either one pin or multiple pins of TRDIOAi, TRDIOBi, TRDIOCi, and TRDIODi. Input-capture input active edge selection Rising edge, falling edge, or both rising and falling edges Timing for setting the TRDi register to 0000H. At overflow or input capture Buffer operation (see 8. 3. 1 (2) Buffer Operation) Synchronous operation (see 8. 3. 1 (3) Synchronous Operation) Digital filter. The TRDIOji input is sampled, and when the sampled input level match three times, that level is determined. Input capture operation by event input from event link controller (ELC).

Note When selecting the count source for the timer RD, set the same clock source as the count source for f_{CLK} before setting bit 4 (TRD0EN) in the peripheral enable register 1 (PER1).

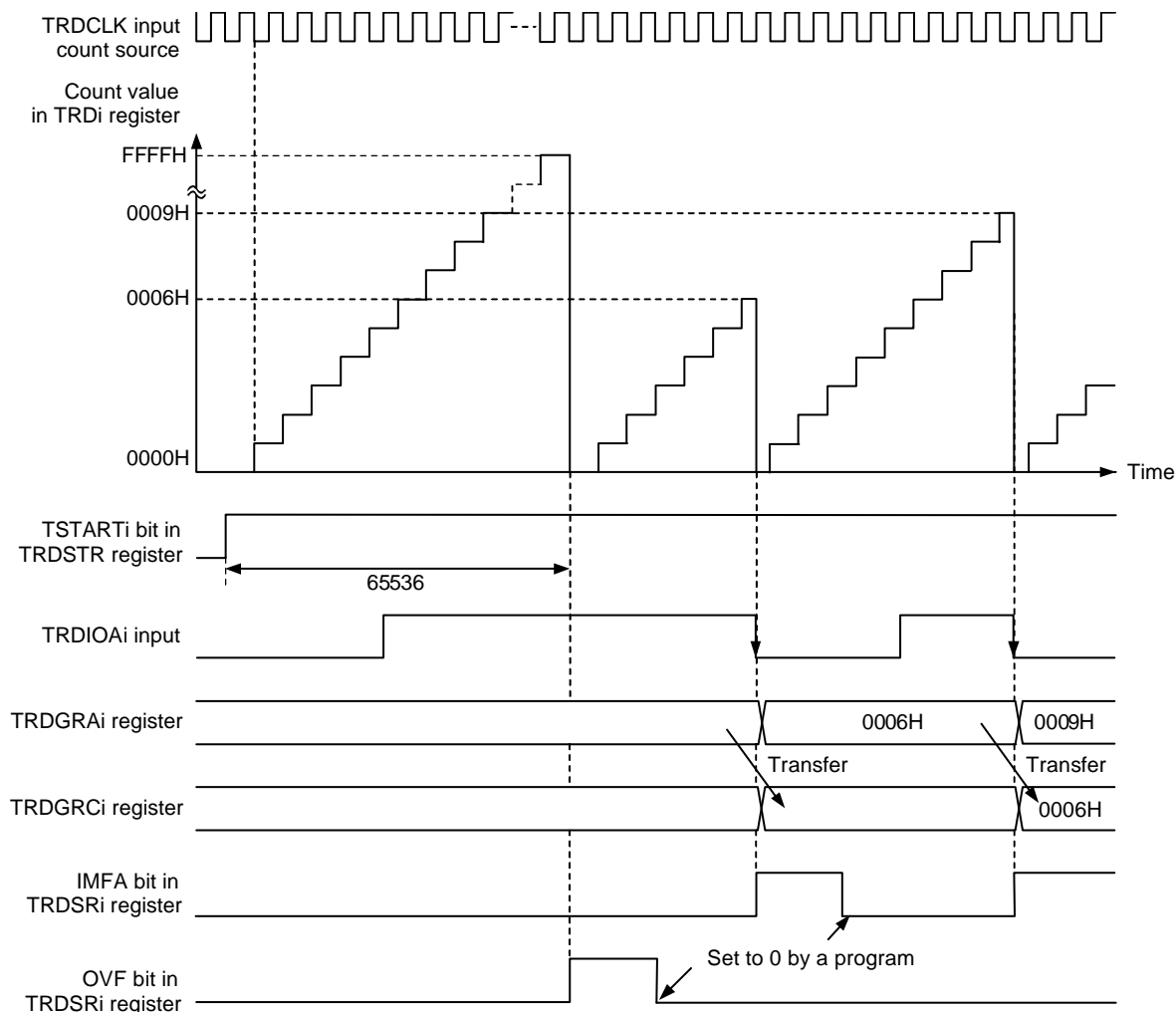
Remark i = 0 or 1, j = A, B, C, or D

(1) Operation Example

By setting bits CCLR0 to CCLR2 in the TRDCRi register (i = 0 or 1), the timer RD_i counter value is reset by an input capture/compare match. Figure 8-46 shows an operation example with bits CCLR2 to CCLR0 set to 001B.

If the input capture operation has been set to clear the count during operation and is performed when the timer count value is FFFFH, depending on the timing between the count source and input capture operation interrupt flags bits IMFA to IMFD and OVF in the TRDSRi register may be set to 1 simultaneously.

Figure 8-46. Operation Example of Input Capture Function



Remark
i = 0 or 1

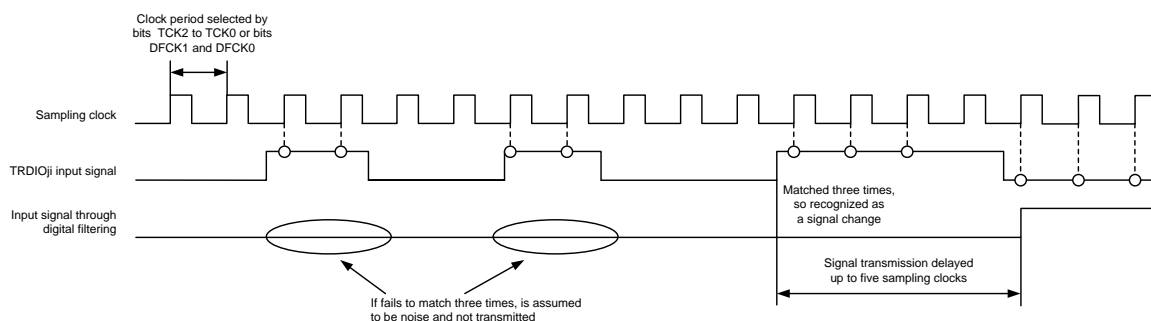
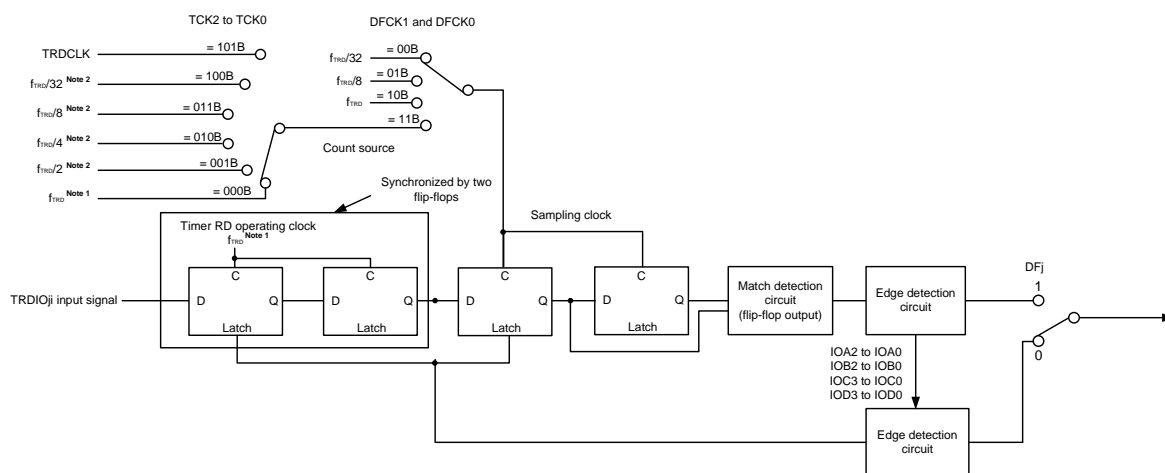
The above diagram applies under the following conditions:
 Bits CCLR2 to CCLR0 in the TRDCRi register are set to 001B (TRDi register is set to 0000H by TRDGRAi register input cap.
 Bits TCK2 to TCK0 in the TRDCRi register are set to 101B (TRDCLK input for the count source).
 Bits CKEG1 and CKEG0 in the TRDCRi register are set to 01B (count at the falling edge for the count source).
 Bits IOA2 to IOA0 in the TRDIORAi register are set to 101B (input capture at the falling edge of TRDIOAi input).
 The TRDBFCi bit in the TRDMR register is set to 1 (TRDGRCi register is buffer register for TRDGRAi register).

(2) Digital Filter

The TRDIO_{ji} input (*i* = 0 or 1, *j* = A, B, C, or D) is sampled, and when the sampled input level matches three times, its level is determined. Select the digital filter function and sampling clock using the TRDDFi register.

Figure 8-47 shows the Block Diagram of Digital Filter.

Figure 8-47. Block Diagram of Digital Filter



Remark
i = 0 or 1, *j* = A, B, C, or D
 TCK0 to TCK2: Bits in TRDCRi register
 DFCK0, DFCK1, DFj: Bits in TRDDFi register
 IOA0 to IOA2, IOB0 to IOB2: Bits in TRDIORAi register
 IOC0 to IOC3, IOD0 to IOD3: Bits in TRDIORCi register

Notes 1. As the timer RD operating clock (f_{TRD}), f_{CLK} is selected when $FRQSEL4 = 0$ in the user option byte (000C2H/020C2H), ($PLLDIV1 = 0$ or $SELPLLS = 0$), and $TRD_CKSEL = 0$. f_{IH} is selected when $FRQSEL4 = 1$ and $TRD_CKSEL = 0$. f_{PLL} is selected when ($PLLDIV1 = 1$ and $SELPLLS = 1$) and $TRD_CKSEL = 0$. f_{SUB} is selected when $SELLOSC = 0$ and $TRD_CKSEL = 1$. f_{IL} is selected when $SELLOSC = 1$ and $TRD_CKSEL = 1$. For details, see **Figure 8-40**.

When selecting the count source for the timer RD, set the same clock source as the count source for f_{CLK} before setting bit 4 (TRD0EN) in the peripheral enable register 1 (PER1).

2. With this setting, select f_{CLK} as the timer RD operating clock (f_{TRD}).

8.3.3 Output Compare Function

This function detects matches (compare match) between the content of the TRDGR_ji register (j = A, B, C, or D) and the content of the TRD_i register (counter) (i = 0 or 1). When the contents match, an arbitrary level is output from the TRDIO_ji pin. Since this function is enabled with a combination of the TRDIO_ji pin and TRDGR_ji register, the output compare function, or any other mode or function, can be selected for each individual pin.

Figure 8-48 shows the Block Diagram of Output Compare Function, Table 8-15 lists the Output Compare Function Specifications, and Figure 8-49 shows an Operation Example of Output Compare Function.

Figure 8-48. Block Diagram of Output Compare Function

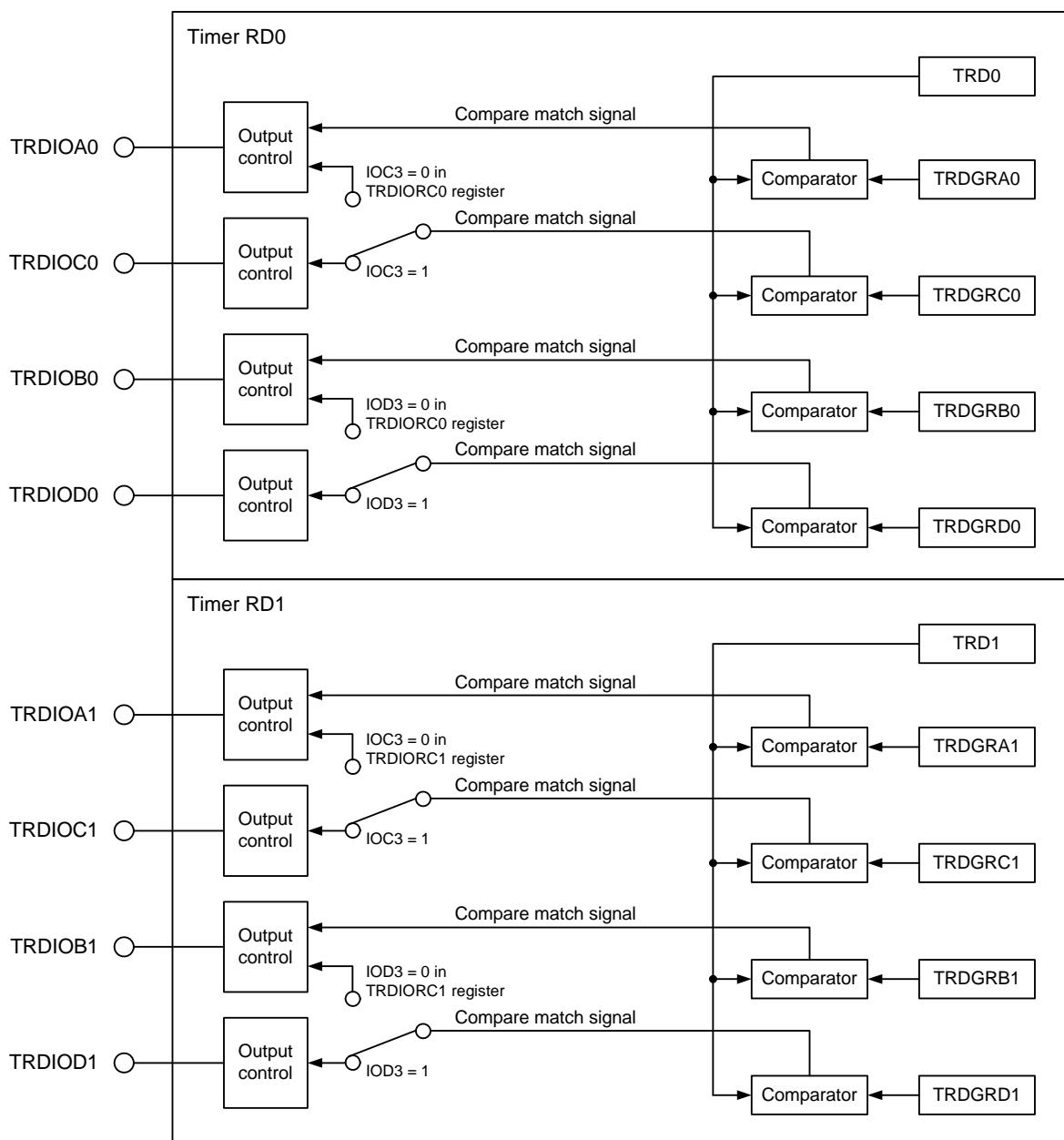


Table 8-15. Output Compare Function Specifications

Item	Specification
Count sources ^{Note}	f_{CLK} , f_{PLL} , f_{IH} , f_{SUB} , f_{IL} External signal input to the TRDCLK0 pin (active edge selected by a program)
Count operations	Increment
Count period	<ul style="list-style-type: none"> When bits CCLR2 to CCLR0 in the TRDCR_i register are set to 000B (free-running operation). $1/f_k \times 65536 f_k$: Frequency of count source When bits CCLR1 and CCLR0 in the TRDCR_i register are set to 01B or 10B (TRD_i register is set to 0000H at compare match with TRDGR_ji register). $1/f_k \times (n + 1)$ n: Value set in the TRDGR_ji register
Waveform output timing	Compare match (contents of registers TRD _i and TRDGR _j i match)
Count start condition	1 (count starts) is written to the TSTART _i bit in the TRDSTR register.
Count stop conditions	<ul style="list-style-type: none"> 0 (count stops) is written to the TSTART_i bit in the TRDSTR register when the CSEL_i bit in the TRDSTR register is set to 1. The output compare output pin holds the output level before the count stops. When the CSEL_i bit in the TRDSTR register is set to 0, the count stops at the compare match with the TRDGRA_i register. The output compare output pin holds the level after output change by compare match.
Interrupt request generation timing	<ul style="list-style-type: none"> Compare match (contents of registers TRD_i and TRDGR_ji match) TRD_i register overflow
TRDIOA0 pin function	I/O port, output-compare output, or TRDCLK (external clock) input
TRDIOB0, TRDIOC0, TRDIOD0, TRDIOA1 to TRDIOD1 pin function	I/O port or output-compare output (selectable for each pin)
INTP0 pin function	Port or INTP0 interrupt input
Read from timer	The count value can be read by reading the TRD _i register.
Write to timer	<ul style="list-style-type: none"> When the TRDSYNC bit in the TRDMR register is set to 0 (timer RD0 and timer RD1 operate independently). Data can be written to the TRD_i register. When the TRDSYNC bit in the TRDMR register is set to 1 (timer RD0 and timer RD1 operate synchronously). Data can be written to both the TRD0 and TRD1 registers by writing to the TRD_i register.
Selectable functions	<ul style="list-style-type: none"> Output-compare output pin selection Either one pin or multiple pins of TRDIOA_i, TRDIOB_i, TRDIOC_i, and TRDIOD_i. Output level selection at compare match Low output, high output, or inverted output level Initial output level selection The level can be set for the period from the count start to the compare match. Timing for setting the TRD_i register to 0000H Overflow or compare match in the TRDGRA_i register Buffer operation (see 8.3.1 (2) Buffer Operation) Synchronous operation (see 8.3.1 (3) Synchronous Operation) Changing output pins for registers TRDGRC_i and TRDGRD_i The TRDGRC_i register can be used as output control of the TRDIOA_i pin and the TRDGRD_i register can be used as output control of the TRDIOB_i pin. Pulse output forced cutoff signal input (see 8.3.1 (4) Pulse Output Forced Cutoff) Timer RD can be used as the internal timer without output.

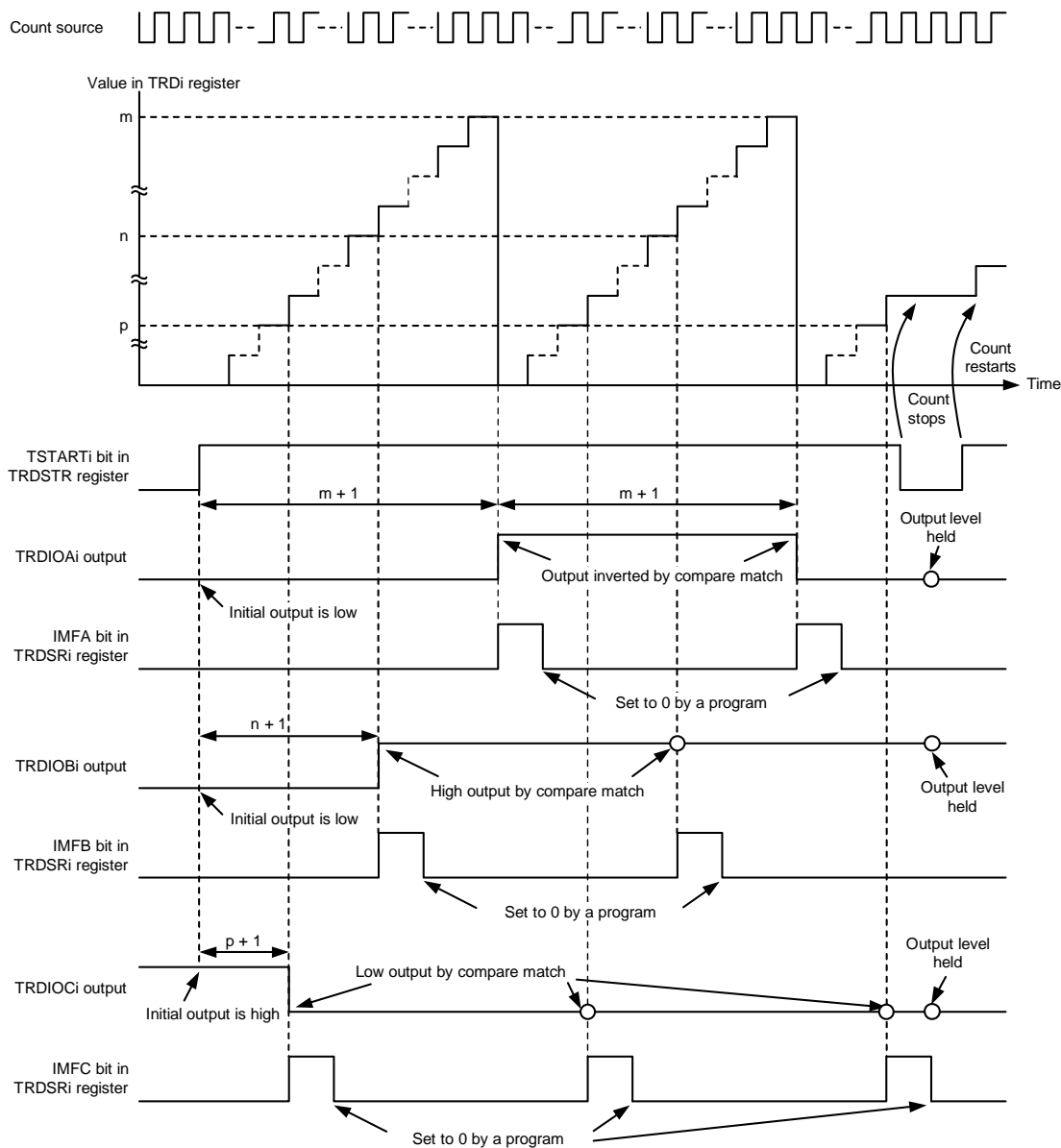
Note When selecting the count source for the timer RD, set the same clock source as the count source for f_{CLK} before setting bit 4 (TRD0EN) in the peripheral enable register 1 (PER1).

Remark $i = 0$ or 1 , $j = A, B, C$, or D

(1) Operation Example

By setting bits CCLR0 to CCLR2 in the TRDCR_i register (i = 0 or 1), the timer RD_i counter value is reset by an input capture/compare match. If the expected compare value is FFFFH at this time, FFFFH changes to 0000H, same as the overflow operation, and the overflow flag is set to 1.

Figure 8-49. Operation Example of Output Compare Function



Remark
 i = 0 or 1
 M: Value set in TRDGRA_i register
 n: Value set in TRDGRB_i register
 p: Value set in TRDGRC_i register

The above diagram applies under the following conditions :

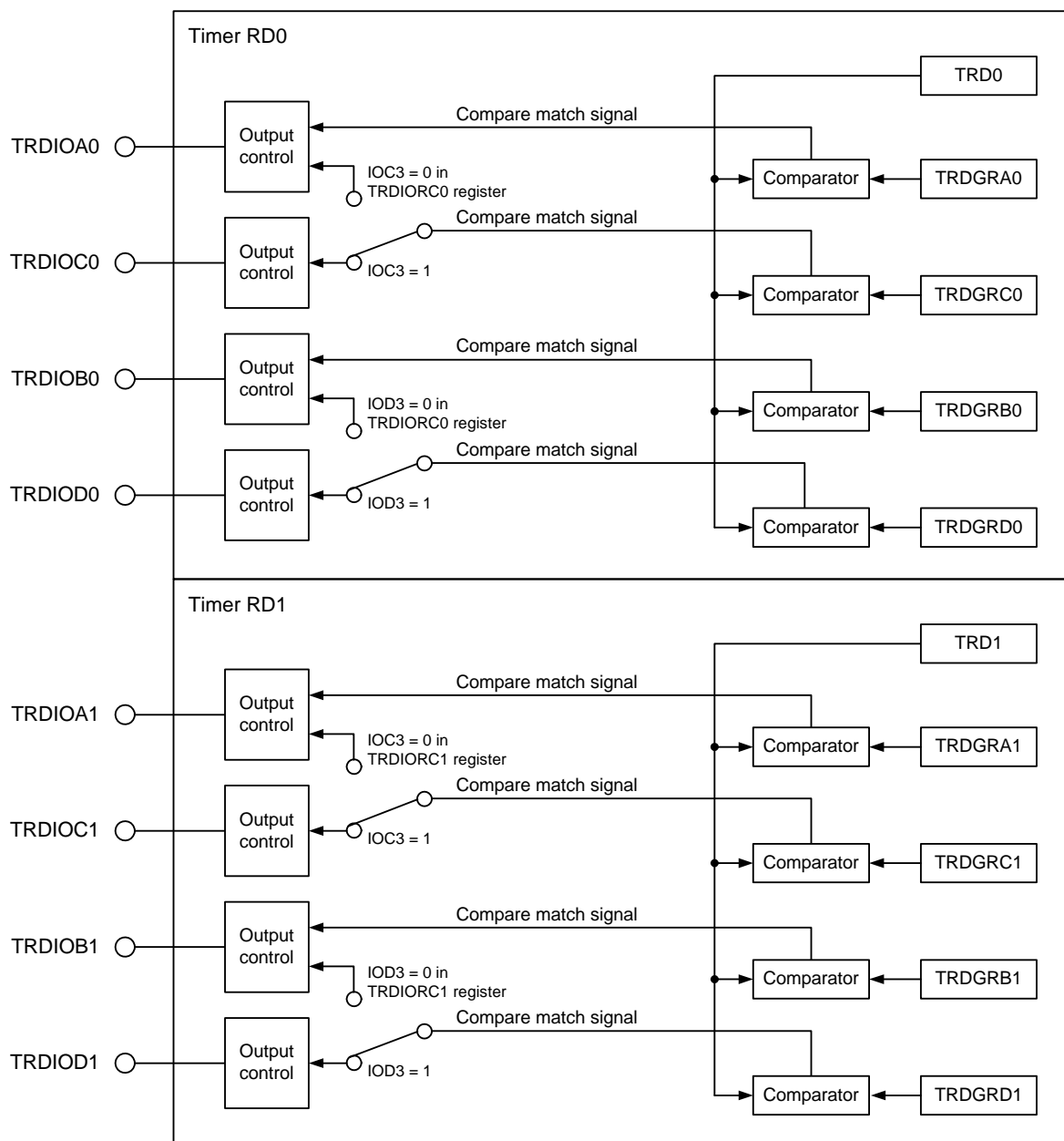
- The CSELi bit in the TRDSTR register is set to 1 (TRDi is not stopped by compare match).
- Bits TRDBFC_i and TRDBFD_i in the TRDMR register are set to 0 (TRDGRC_i and TRDGRD_i do not operate as buffers).
- Bits EAI, EBI, and ECI in the TRDOER1 register are set to 0 (TRDIOA_i, TRDIOB_i and TRDIOC_i output enabled).
- Bits CCLR2 to CCLR0 in the TRDCR_i register are set to 001B (TRDi is set to 0000H by compare match with TRDGRA_i).
- Bits TOA_i and TOB_i in the TRDOCR register is set to 0 (initial output is low until compare match), the TOC_i bit is set to 1 (initial output is high until compare match).
- Bits IOA2 to IOA0 in the TRDIORA_i register are set to 011B (TRDIOA_i output inverted at TRDGRA_i compare match).
- Bits IOB2 to IOB0 in the TRDIORA_i register are set to 010B (TRDIOB_i high output at TRDGRB_i compare match).
- Bits IOC3 to IOC0 in the TRDIORC_i register are set to 1001B (TRDIOC_i low output at TRDGRC_i register compare match).
- Bits IOD3 to IOD0 in the TRDIORC_i register are set to 1000B (TRDGRD_i register does not control TRDIOB_i pin output. Pin output by compare match is disabled).

(2) Changing Output Pins in Registers TRDGRCi (i = 0 or 1) and TRDGRDi

The TRDGRCi register can be used for output control of the TRDIOAi pin, and the TRDGRDi register can be used for output control of the TRDIOBi pin. Therefore, each pin output can be controlled as follows:

- TRDIOAi output is controlled by the values in registers TRDGRAi and TRDGRCi.
- TRDIOBi output is controlled by the values in registers TRDGRBi and TRDGRDi.

Figure 8-50. Changing Output Pins in Registers TRDGRCi and TRDGRDi

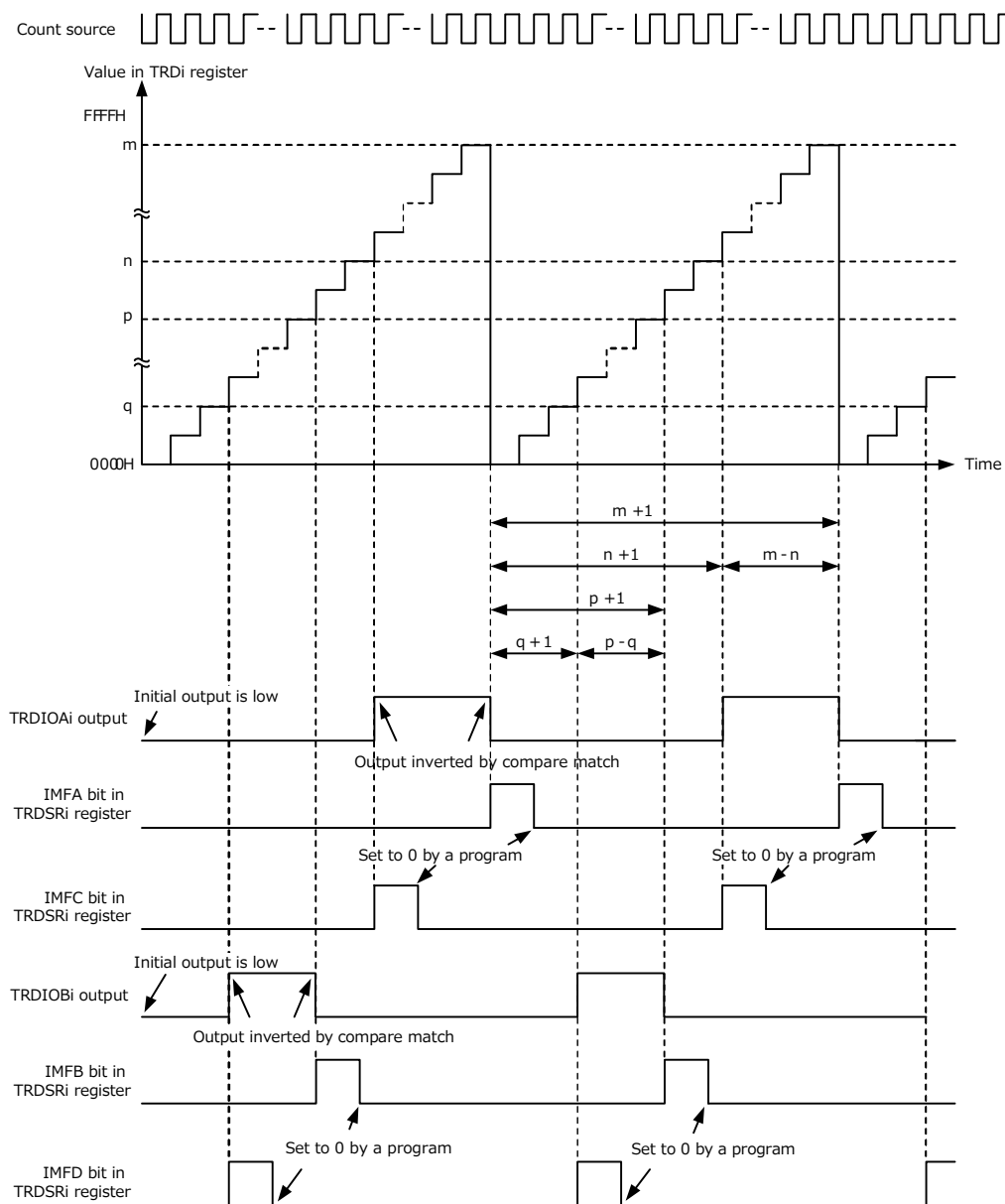


Change output pins in registers TRDGRCi and TRDGRDi as follows:

- Select 0 (TRDGRji register output pin is changed) using the IOj3 (j = C or D) bit in the TRDIORCi register.
- Set the TRDBFji bit in the TRDMR register to 0 (general register).
- Set different values in registers TRDGRCi and TRDGRAi. Also, set different values in registers TRDGRDi and TRDGRBi.

Figure 8-51 shows an Operation Example When TRDGRCi Register is Used for Output Control of TRDIOAi Pin and TRDGRDi Register is Used for Output Control of TRDIOBi Pin.

Figure 8-51. Operation Example When TRDGRCi Register is Used for Output Control of TRDIOAi Pin and TRDGRDi Register is Used for Output Control of TRDIOBi Pin



Remark
 i = 0 or 1
 m: Value set in TRDGRAi register
 n: Value set in TRDGRCi register
 p: Value set in TRDGRBi register
 q: Value set in TRDGRDi register

The above diagram applies under the following conditions :
 The CSELi bit in the TRDSTR register is set to 1 (TRDi register is not stopped by compare match).
 Bits TRDBFCi and TRDBFDi in the TRDMR register are set to 0 (TRDGRCi and TRDGRDi do not operate as buffers).
 Bits EAi and EBi in the TRDOER1 register are set to 0 (TRDIOAi and TRDIOBi output enabled).
 Bits CCLR2 to CCLR0 in the TRDCRi register are set to 001B (TRDi is set to 0000H by compare match with TRDGRAi).
 Bits TOAi and TOBi in the TRDOCR register are set to 0 (initial output is low until compare match).
 Bits IOA2 to IOA0 in the TRDIORAi register are set to 011B (TRDIOAi output inverted at TRDGRAi compare match).
 Bits IOB2 to IOB0 in the TRDIORAi register are set to 011B (TRDIOBi output inverted at TRDGRBi compare match).
 Bits IOC3 to IOC0 in the TRDIORCi register are set to 0011B (TRDIOAi output inverted at TRDGRCi compare match).
 Bits IOD3 to IOD0 in the TRDIORCi register are set to 0011B (TRDIOBi output inverted at TRDGRDi compare match).

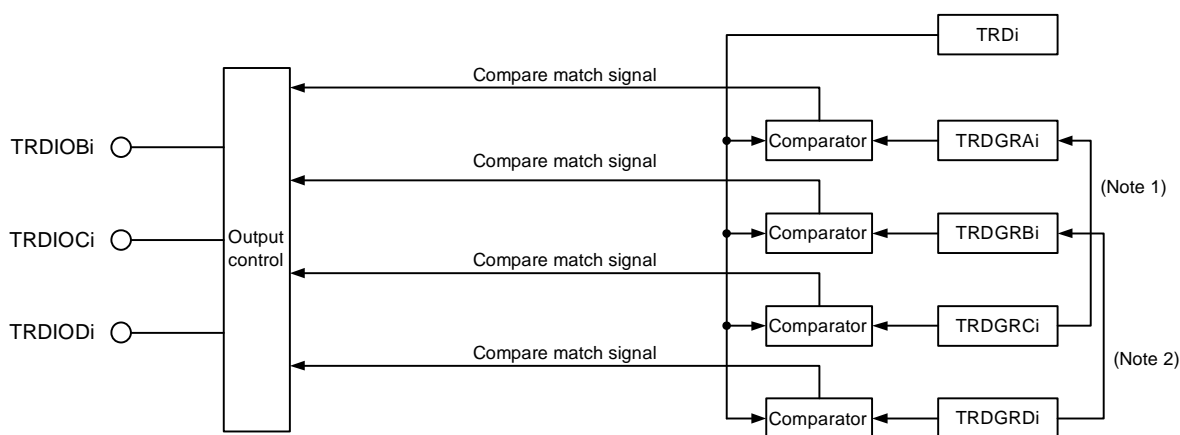
8.3.4 PWM Function

In PWM function, a PWM waveform is output. Up to three PWM waveforms with the same period can be output by timer RD_i (i = 0 or 1). Also, up to six PWM waveforms with the same period can be output by synchronizing timer RD₀ and timer RD₁.

Since this mode functions by a combination of the TRDIO_ji pin (i = 0 or 1, j = B, C, or D) and TRDGR_ji register, PWM function, or any other mode or function, can be selected for each individual pin. (However, since the TRDGRA_i register is used when using any pin for PWM function, the TRDGRA_i register cannot be used for other modes.)

Figure 8-52 shows the Block Diagram of PWM function, Table 8-16 lists the PWM Function Specifications, and Figure 8-53 and Figure 8-54 show Operation Examples in PWM Function.

Figure 8-52. Block Diagram of PWM Function

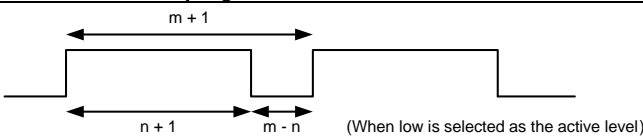


Remark
i = 0 or 1

Notes:

1. When the TRDBFC_i bit in the TRDMR register is set to 1 (TRDGR_Ci register is buffer register for TRDGRA_i register).
2. When the TRDBFD_i bit in the TRDMR register is set to 1 (TRDGRD_i register is buffer register for TRDGRB_i register).

Table 8-16. PWM Mode Specifications

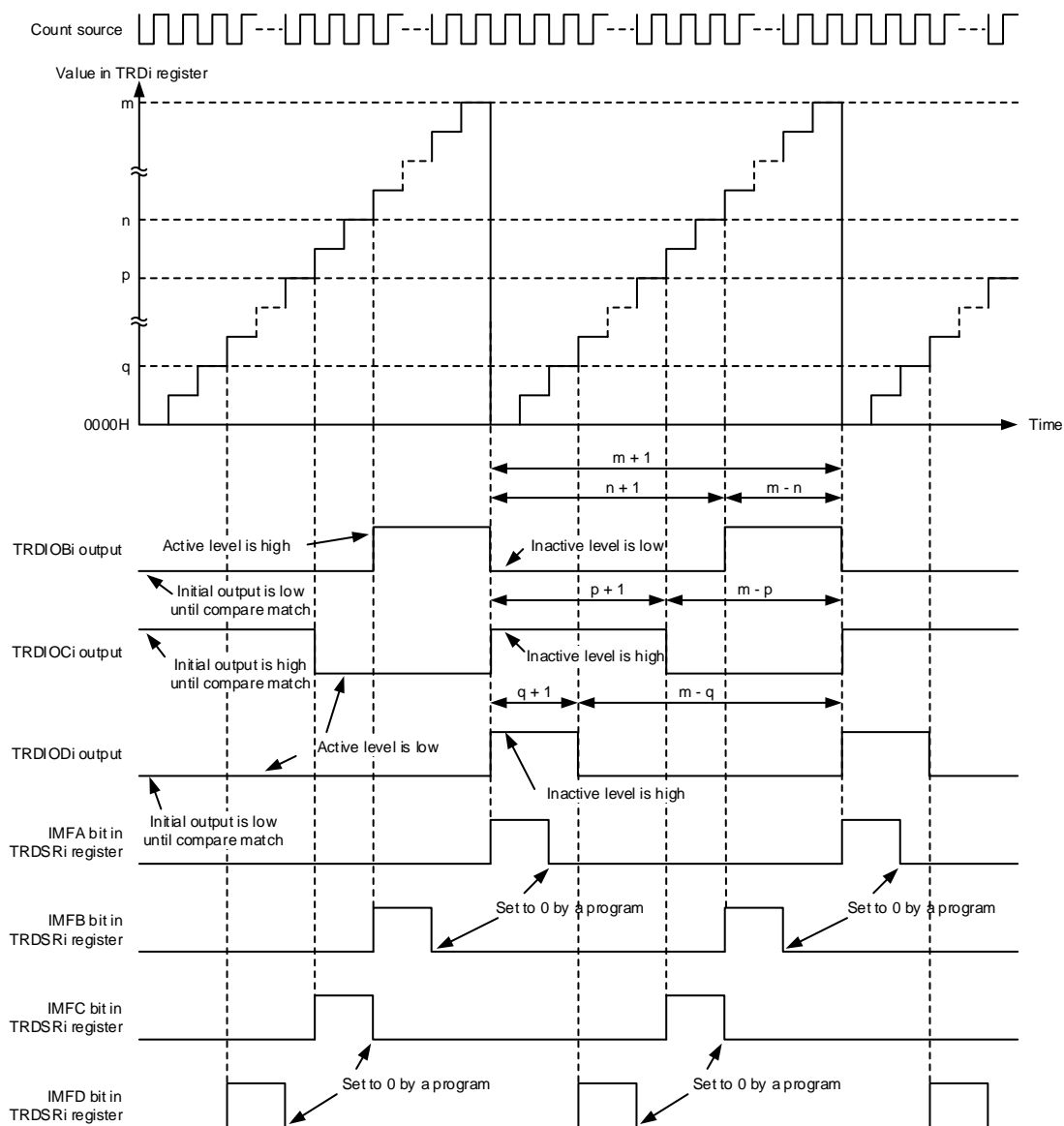
Item	Specification
Count sources ^{Note}	f _{CLK} , f _{PLL} , f _{IH} , f _{SUB} , f _{IL} External signal input to the TRDCLK0 pin (active edge selected by a program)
Count operations	Increment
PWM waveform	<p>PWM period: $1/f_k \times (m + 1)$ Active level width: $1/f_k \times (m - n)$ Inactive level width: $1/f_k \times (n + 1)$ f_k: Frequency of count source m: Value set in the TRDGRA_i register n: Value set in the TRDGR_{ji} register</p> 
Count start condition	1 (count starts) is written to the TSTART _i bit in the TRDSTR register.
Count stop conditions	<ul style="list-style-type: none"> • 0 (count stops) is written to the TSTART_i bit in the TRDSTR register when the CSEL_i bit in the TRDSTR register is set to 1. The PWM output pin holds the output level before the count stops. • When the CSEL_i bit in the TRDSTR register is set to 0, the count stops at the compare match with the TRDGRA_i register. The PWM output pin holds the level after output change by compare match.
Interrupt request generation timing	<ul style="list-style-type: none"> • Compare match (content of the TRD_i register matches content of the TRDGR_{hi} register) • TRD_i register overflow
TRDIOA0 pin function	I/O port or TRDCLK (external clock) input
TRDIOA1 pin function	I/O port
TRDIOB0, TRDIOC0, TRDIOD0, TRDIOB1, TRDIOC1, TRDIOD1 pin function	I/O port or pulse output (selectable for each pin)
INTP0 pin function	Pulse output forced cutoff signal input (port or INTP0 interrupt input)
Read from timer	The count value can be read by reading the TRD _i register.
Write to timer	The value can be written to the TRD _i register.
Selectable functions	<ul style="list-style-type: none"> • One to three PWM output pins selectable with timer RD_i. Either one pin or multiple pins of TRDIOB_i, TRDIOC_i, and TRDIOD_i. • Active level selectable for each pin. • Initial output level selectable for each pin. • Synchronous operation (see 8.3.1 (3) Synchronous Operation) • Buffer operation (see 8.3.1 (2) Buffer Operation) • Pulse output forced cutoff signal input (see 8.3.1 (4) Pulse Output Forced Cutoff)

Note When selecting the count source for the timer RD, set the same clock source as the count source for f_{CLK} before setting bit 4 (TRD0EN) in the peripheral enable register 1 (PER1).

Remark i = 0 or 1, j = B, C, or D, h = A, B, C, or D

(1) Operation Example

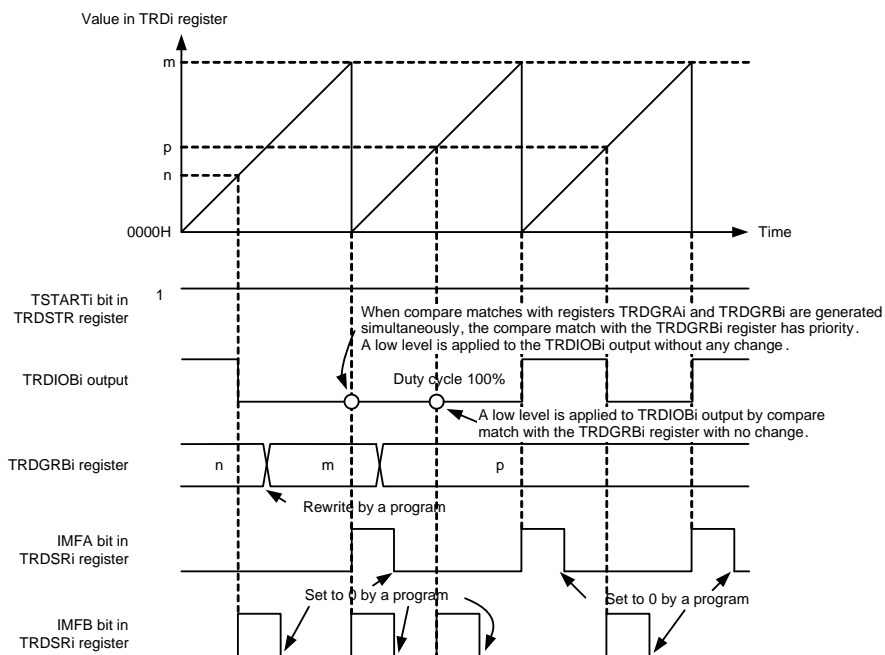
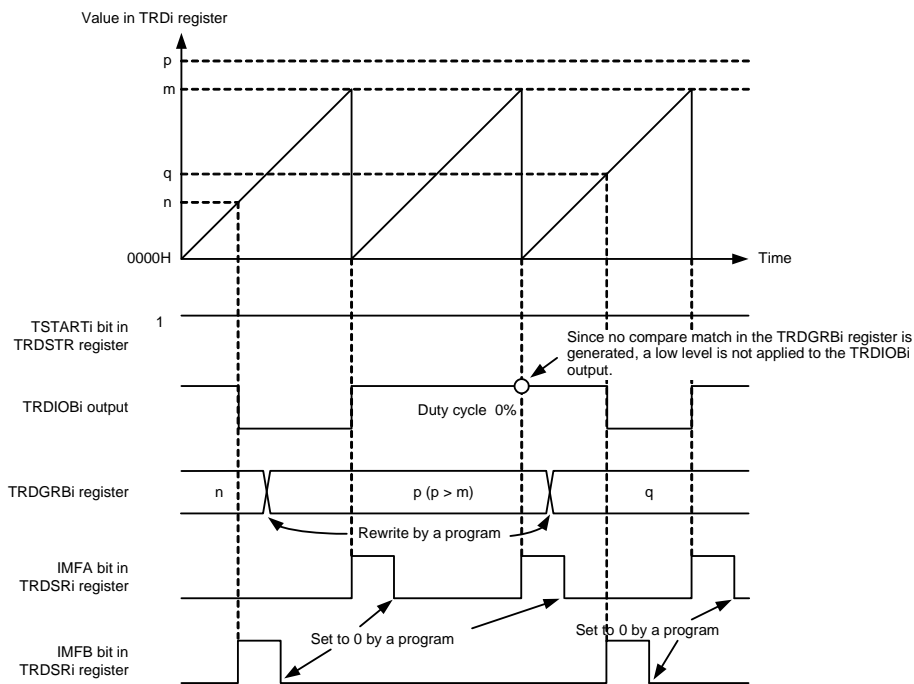
Figure 8-53. Operation Example in PWM Function



Remark
 i = 0 or 1
 m: Value set in TRDGRAi register
 n: Value set in TRDGRBi register
 p: Value set in TRDGRCi register
 q: Value set in TRDGRDi register

The above diagram applies under the following conditions:
 Bits TRDBFCi and TRDBFDi in the TRDMR register are set to 0 (TRDGRCi and TRDGRDi do not operate as buffers).
 Bits EBi, ECi and EDi in the TRDOER1 register are set to 0 (TRDIOBi, TRDIOCi and TRDIODi output enabled).
 Bits TOBi and TOCi in the TRDOCR register are set to 0 (inactive level), the TODi bit is set to 1 (active level).
 The POLB bit in the TRDPOCRi register is set to 1 (active level is high), bits POLC and POLD are set to 0 (active level is low).

Figure 8-54. Operation Example in PWM Function (Duty Cycle 0%, Duty Cycle 100%)



Remark
 i = 0 or 1
 m: Value set in TRDGRAi register

The above diagram applies under the following conditions:
 The EBi bit in the TRDOER1 register is set to 0 (TRDIOBi output enabled).
 The POLB bit in the TRDPOCRi register is set to 0 (active level is low).

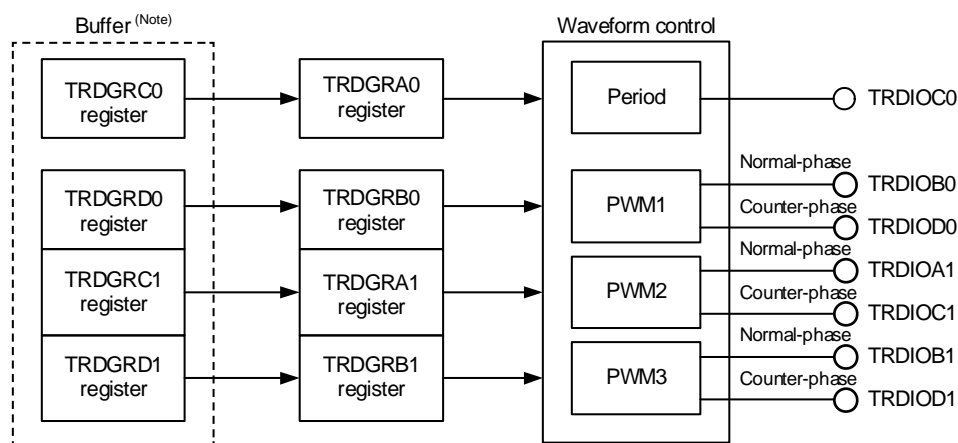
8.3.5 Reset Synchronous PWM Mode

In this mode, three normal-phases and three counter-phases of the PWM waveform are output with the same period (three-phase, sawtooth wave modulation, and no dead time).

Figure 8-55 shows the Block Diagram of Reset Synchronous PWM Mode, Table 8-17 lists the Reset Synchronous PWM Mode Specifications, Figure 8-56 shows an Operation Example in Reset Synchronous PWM Mode.

See **Figure 8-54 Operation Example in PWM Function (Duty Cycle 0%, Duty Cycle 100%)** for an operation example in PWM Mode with duty cycle 0% and duty cycle 100%.

Figure 8-55. Block Diagram of Reset Synchronous PWM Mode



Note When bits TRDBFC0, TRDBFD0, TRDBFC1, and TRDBFD1 in the TRDMR register are set to 1 (buffer register).

Table 8-17. Reset Synchronous PWM Mode Specifications

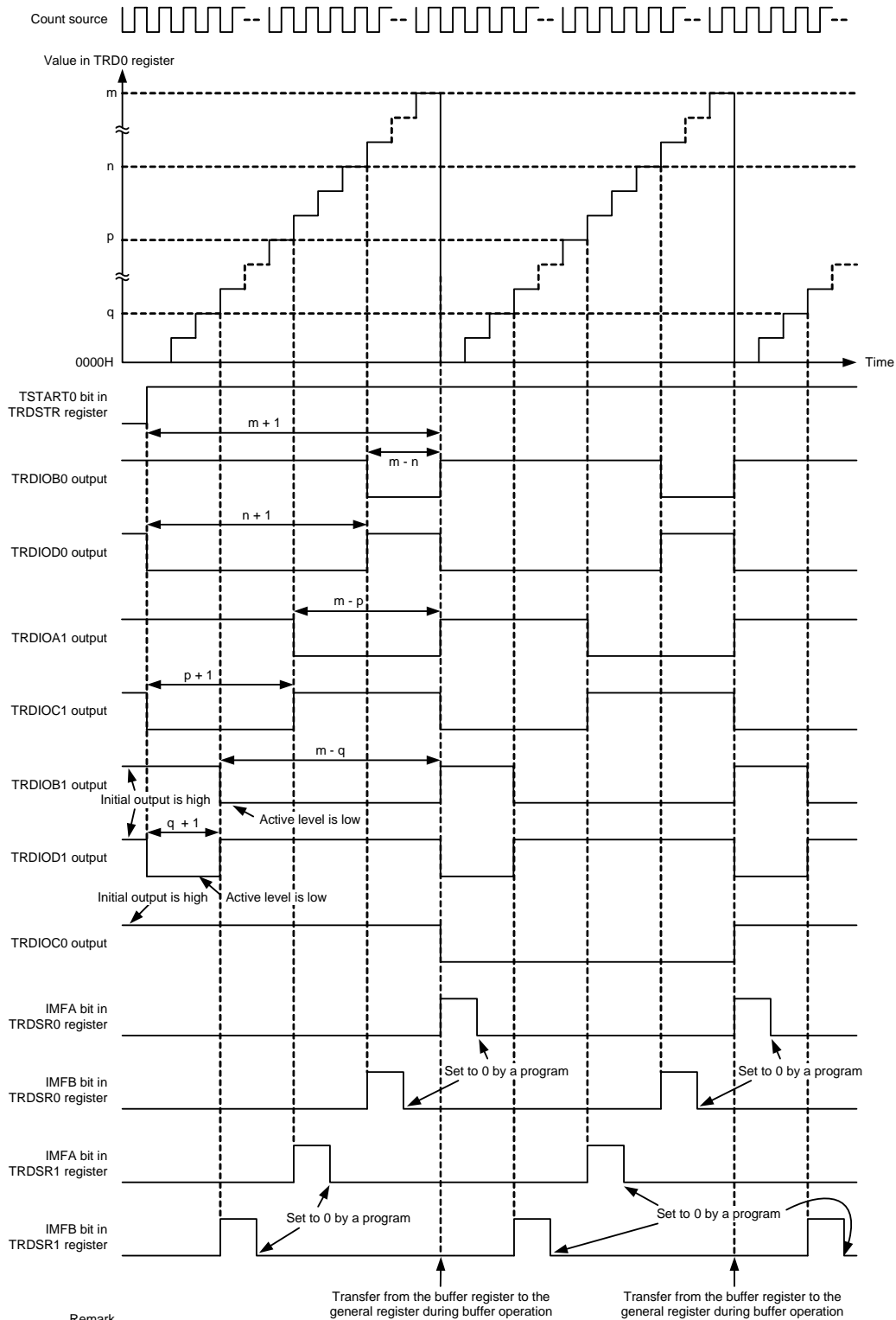
Item	Specification
Count sources ^{Note}	$f_{CLK}, f_{PLL}, f_{IH}, f_{SUB}, f_{IL}$ External signal input to the TRDCLK pin (active edge selected by a program)
Count operations	The TRD0 register is incremented (the TRD1 register is not used).
PWM waveform	<p>PWM period: $1/f_k \times (m + 1)$ Active level of normal-phase: $1/f_k \times (m - n)$ Inactive level of counter-phase: $1/f_k \times (n + 1)$ f_k: Frequency of count source m: Value set in the TRDGRA0 register n: Value set in the TRDGRB0 register (PWM1 output) Value set in the TRDGRA1 register (PWM2 output) Value set in the TRDGRB1 register (PWM3 output)</p>
Count start condition	1 (count starts) is written to the TSTART0 bit in the TRDSTR register.
Count stop conditions	<ul style="list-style-type: none"> • 0 (count stops) is written to the TSTART0 bit when the CSEL0 bit in the TRDSTR register is set to 1. The PWM output pin outputs the initial output level selected by bits OLS0 and OLS1 in the TRDFCR register. • When the CSEL0 bit in the TRDSTR register is set to 0, the count stops at the compare match with the TRDGRA0 register. The PWM output pin outputs the initial output level selected by bits OLS0 and OLS1 in the TRDFCR register.
Interrupt request generation timing	<ul style="list-style-type: none"> • Compare match (content of the TRD0 register matches content of registers TRDGRj0, TRDGRA1, and TRDGRB1) • TRD0 register overflow
TRDIOA0 pin function	I/O port or TRDCLK (external clock) input
TRDIOB0 pin function	PWM1 output normal-phase output
TRDIOD0 pin function	PWM1 output counter-phase output
TRDIOA1 pin function	PWM2 output normal-phase output
TRDIOC1 pin function	PWM2 output counter-phase output
TRDIOB1 pin function	PWM3 output normal-phase output
TRDIOD1 pin function	PWM3 output counter-phase output
TRDIOC0 pin function	Output inverted every PWM period
INTP0 pin function	Pulse output forced cutoff signal input (port or INTP0 interrupt input)
Read from timer	The count value can be read by reading the TRD0 register.
Write to timer	The value can be written to the TRD0 register.
Selectable functions	<ul style="list-style-type: none"> • The normal-phase and counter-phase active level and initial output level are selected individually. • Buffer operation (see 8.3.1 (2) Buffer Operation) • Pulse output forced cutoff signal input (see 8.3.1 (4) Pulse Output Forced Cutoff)

Note When selecting the count source for the timer RD, set the same clock source as the count source for f_{CLK} before setting bit 4 (TRD0EN) in the peripheral enable register 1 (PER1).

Remark j = A, B, C, or D

(1) Operation Example

Figure 8-56. Operation Example in Reset Synchronous PWM Mode



Remark
 i = 0 or 1
 m: Value set in TRDGRA0 register
 n: Value set in TRDGRB0 register
 p: Value set in TRDGRA1 register
 q: Value set in TRDGRB1 register

The above diagram applies under the following condition:
 Bits OLS1 and OLS0 in the TRDFCR register are set to 0 (initial output level is high, active level is low).

8.3.6 Complementary PWM Mode

In this mode, three normal-phases and three counter-phases of the PWM waveform are output with the same period (three-phase, triangular wave modulation, and with dead time).

Figure 8-57 shows the Block Diagram of Complementary PWM Mode, Table 8-18 lists the Complementary PWM Mode Specifications, and Figure 8-58 shows the Output Model of Complementary PWM Mode, and Figure 8-59 shows an Operation Example in Complementary PWM Mode.

Figure 8-57. Block Diagram of Complementary PWM Mode

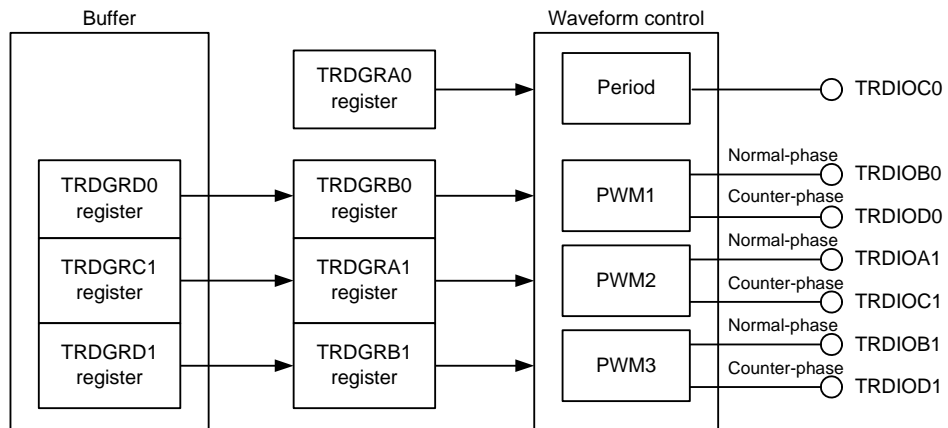
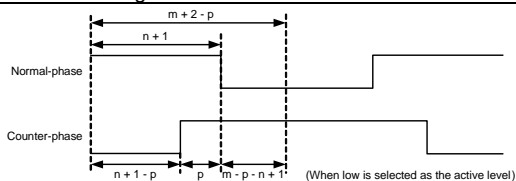


Table 8-18. Complementary PWM Mode Specifications

Item	Specification
Count sources ^{Note 1}	$f_{CLK}, f_{PLL}, f_{IH}, f_{SUB}, f_{IL}$ External signal input to the TRDCLK pin (active edge selected by a program) Set bits TCK2 to TCK0 in the TRDCR1 register to the same value (same count source) as bits TCK2 to TCK0 in the TRDCR0 register.
Count operations	Increment or decrement. Registers TRD0 and TRD1 are decremented with the compare match with registers TRD0 and TRDGRA0 during increment operation. When the TRD1 register changes from 0000H to FFFFH during decrement operation, and registers TRD0 and TRD1 are incremented.
PWM waveform	PWM period: $1/f_k \times (m + 2 - p) \times 2$ ^{Note 2} Dead time: p Active level width of normal-phase: $1/f_k \times (m - n - p + 1) \times 2$ Active level width of counter-phase: $1/f_k \times (n + 1 - p) \times 2$ f_k : Frequency of count source m : Value set in the TRDGRA0 register n : Value set in the TRDGRB0 register (PWM1 output) Value set in the TRDGRA1 register (PWM2 output) Value set in the TRDGRB1 register (PWM3 output) p : Value set in the TRD0 register 
Count start condition	1 (count starts) is written to bits TSTART0 and TSTART1 in the TRDSTR register.
Count stop condition	0 (count stops) is written to bits TSTART0 and TSTART1 in the TRDSTR register when the CSEL0 bit in the TRDSTR register is set to 1. (The PWM output pin outputs the initial output level selected by bits OLS0 and OLS1 in the TRDFCR register.)
Interrupt request generation timing	<ul style="list-style-type: none"> Compare match (content of the TRDi register matches content of the TRDGRji register) TRD1 register underflow
TRDIOA0 pin function	I/O port or TRDCLK (external clock) input
TRDIOB0 pin function	PWM1 output normal-phase output
TRDIOD0 pin function	PWM1 output counter-phase output
TRDIOA1 pin function	PWM2 output normal-phase output
TRDIOC1 pin function	PWM2 output counter-phase output
TRDIOB1 pin function	PWM3 output normal-phase output
TRDIOD1 pin function	PWM3 output counter-phase output
TRDIOC0 pin function	Output inverted every 1/2 period of PWM
INTP0 pin function	Pulse output forced cutoff signal input (port or INTP0 interrupt input)
Read from timer	The count value can be read by reading the TRDi register.
Write to timer	The value can be written to the TRDi register.
Selectable functions	<ul style="list-style-type: none"> Pulse output forced cutoff signal input (see 8. 3. 1 (4) Pulse Output Forced Cutoff) The normal-phase and counter-phase active level and initial output level are selected individually. Transfer timing from the buffer register selection

Notes 1. When selecting the count source for the timer RD, set the same clock source as the count source for f_{CLK} before setting bit 4 (TRD0EN) in the peripheral enable register 1 (PER1).

2. After a count starts, the PWM period is fixed.

Remark $i = 0$ or $1, j = A, B, C,$ or D

(1) Operation Example

Figure 8-58. Output Model of Complementary PWM Mode

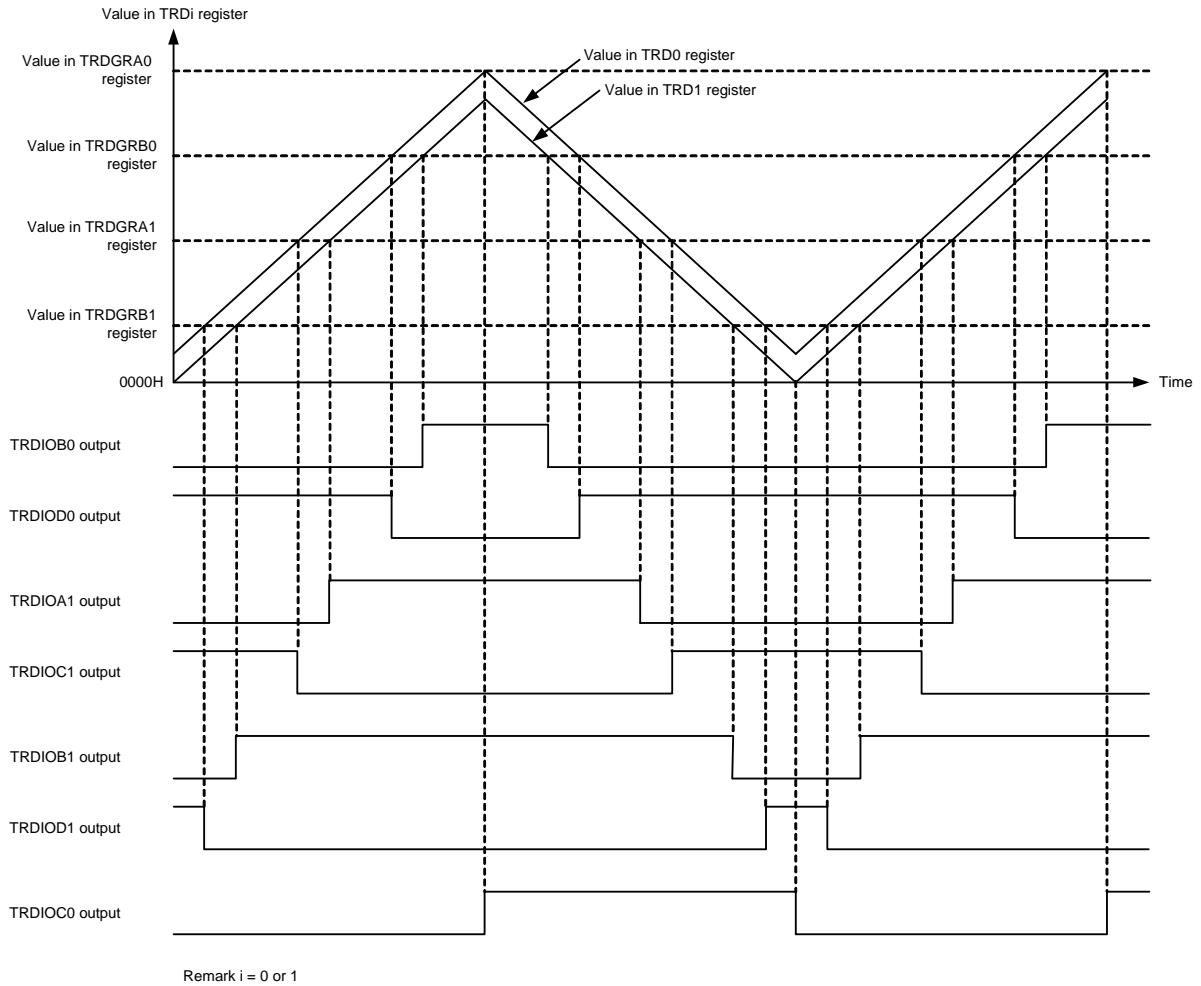
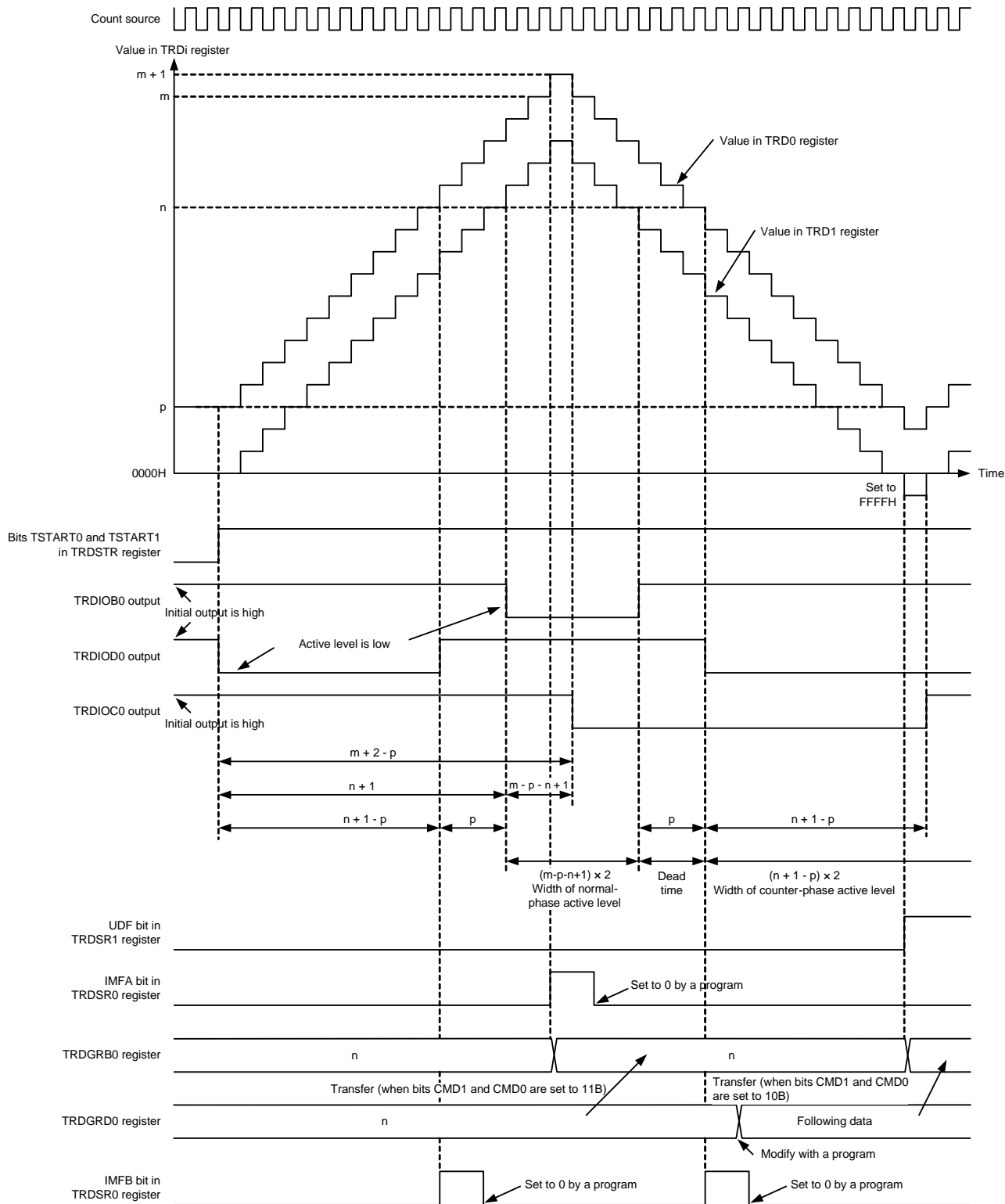


Figure 8-59. Operation Example in Complementary PWM Mode



Remark
 CMD0, CMD1: Bits in TRDFCR register
 i = 0 or 1
 m: Value set in TRDGRA0 register
 n: Value set in TRDGRB0 register
 p: Value set in TRD0 register

The above diagram applies under the following condition:
 Bits OLS1 and OLS0 in TRDFCR are set to 0 (initial output level is high, active level is low for normal-phase and counter-phase).

(2) Transfer Timing from Buffer Register

- Transfer from the TRDGRD0, TRDGRC1, or TRDGRD1 register to the TRDGRB0, TRDGRA1, or TRDGRB1 register.

When bits CMD1 and CMD0 in the TRDFCR register are set to 10B, the content is transferred when the TRD1 register underflows.

When bits CMD1 and CMD0 are set to 11B, the content is transferred at compare match between registers TRD0 and TRDGRA0.

8.3.7 PWM3 Mode

In this mode, two PWM waveforms are output with the same period.

Figure 8-60 shows the Block Diagram of PWM3 Mode, Table 8-19 lists the PWM3 Mode Specifications, and Figure 8-61 shows an Operation Example in PWM3 Mode.

Figure 8-60. Block Diagram of PWM3 Mode

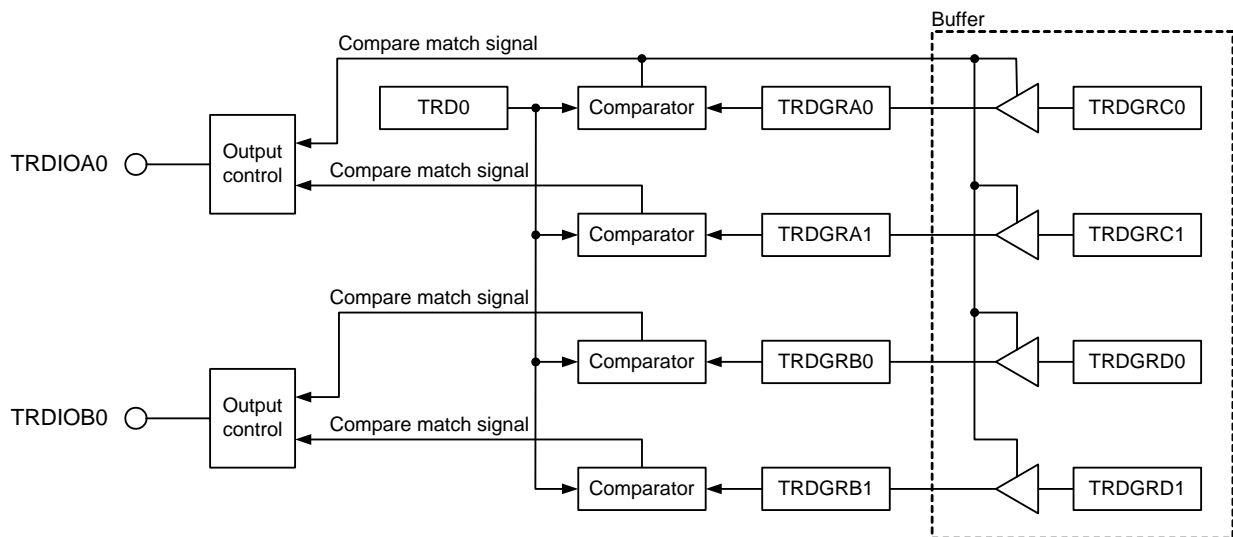
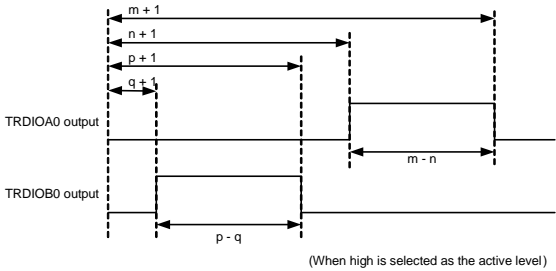


Table 8-19. PWM3 Mode Specifications

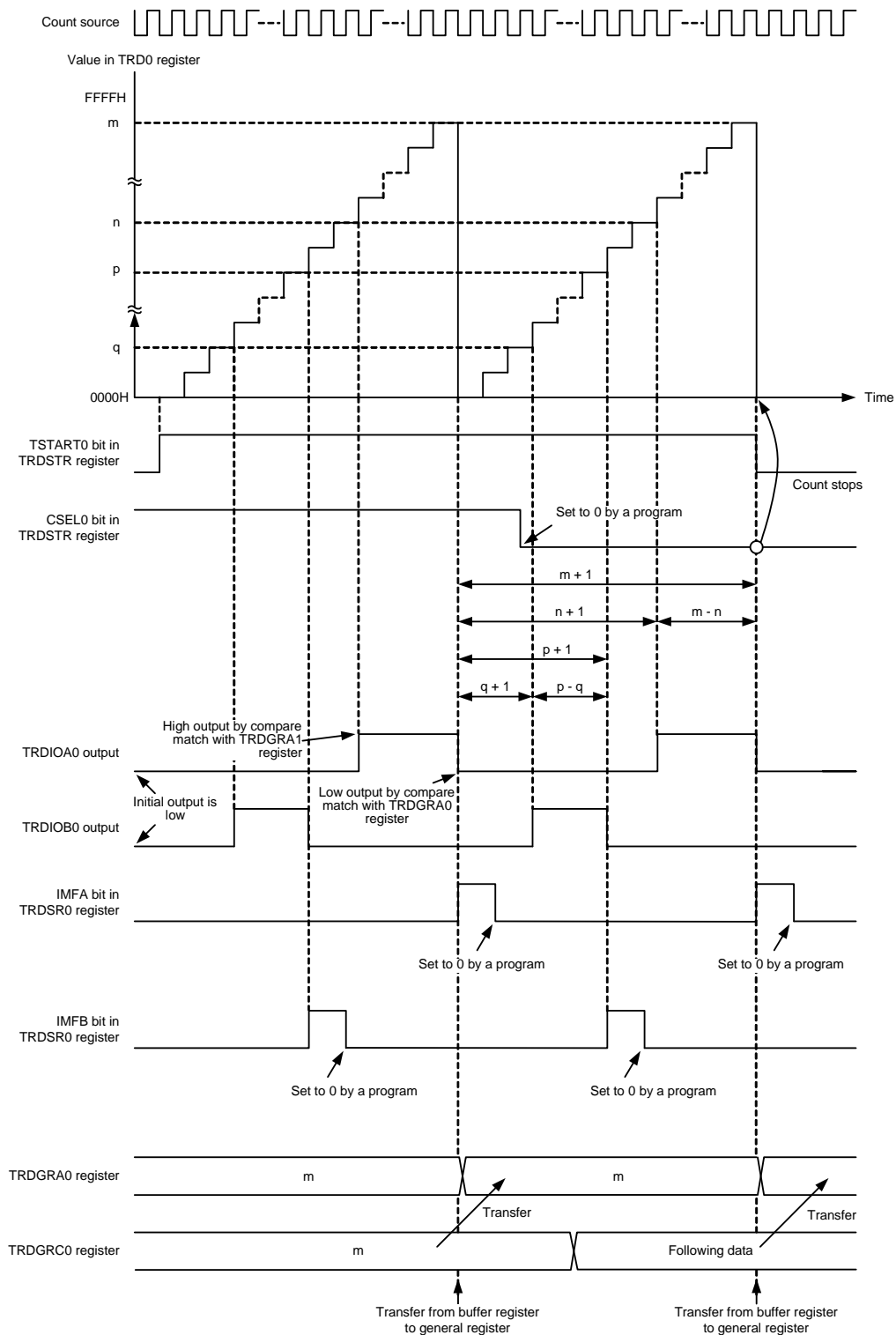
Item	Specification
Count sources ^{Note}	$f_{CLK}, f_{PLL}, f_{IH}, f_{SUB}, f_{IL}$
Count operations	The TRD0 register is incremented (the TRD1 register is not used).
PWM waveform	<p>PWM period: $1/f_k \times (m + 1)$ Active level width of TRDIOA0 output: $1/f_k \times (m - n)$ Active level width of TRDIOB0 output: $1/f_k \times (p - q)$ f_k: Frequency of count source m: Value set in the TRDGRA0 register n: Value set in the TRDGRA1 register p: Value set in the TRDGRB0 register q: Value set in the TRDGRB1 register</p>  <p style="text-align: right;">(When high is selected as the active level)</p>
Count start condition	1 (count starts) is written to the TSTART0 bit in the TRDSTR register.
Count stop conditions	<ul style="list-style-type: none"> • 0 (count stops) is written to the TSTART0 bit in the TRDSTR register when the CSEL0 bit in the TRDSTR register is set to 1. The PWM output pin holds the output level before the count stops. • When the CSEL0 bit in the TRDSTR register is set to 0, the count stops at compare match with the TRDGRA0 register. The PWM output pin holds the level after output change by compare match.
Interrupt request generation timing	<ul style="list-style-type: none"> • Compare match (content of the TRDi register matches content of the TRDGRji register) • TRD0 register overflow
TRDIOA0, TRDIOB0 pin function	PWM output
TRDIOA0, TRDIOD0, and TRDIOA1 to TRDIOD1 pin function	I/O port
INTP0 pin function	Pulse output forced cutoff signal input (port or INTP0 interrupt input)
Read from timer	The count value can be read by reading the TRD0 register.
Write to timer	The value can be written to the TRD0 register.
Selectable functions	<ul style="list-style-type: none"> • Pulse output forced cutoff signal input (see 8. 3. 1 (4) Pulse Output Forced Cutoff) • Active level selectable for each pin. • Buffer operation (see 8. 3. 1 (2) Buffer Operation)

Note When selecting the count source for the timer RD, set the same clock source as the count source for f_{CLK} before setting bit 4 (TRD0EN) in the peripheral enable register 1 (PER1).

Remark $i = 0$ or $1, j = A, B, C,$ or D

(1) Operation Example

Figure 8-61. Operation Example in PWM3 Mode



Remark
 j = A or B
 m: Value set in TRDGRA0 register
 n: Value set in TRDGRA1 register
 p: Value set in TRDGRB0 register
 q: Value set in TRDGRB1 register

The above diagram applies under the following conditions:
 • Both the TOA0 and TOB0 bits in the TRDOCR register are set to 0 (initial output is low, high output by compare match with TRDGRj1 register, low output by compare match with TRDGRj0 register).
 • The TRDBFC0 bit in the TRDMR register is set to 1 (TRDGRC0 register is buffer register for TRDGRA0 register).

8.4 Timer RD Interrupt

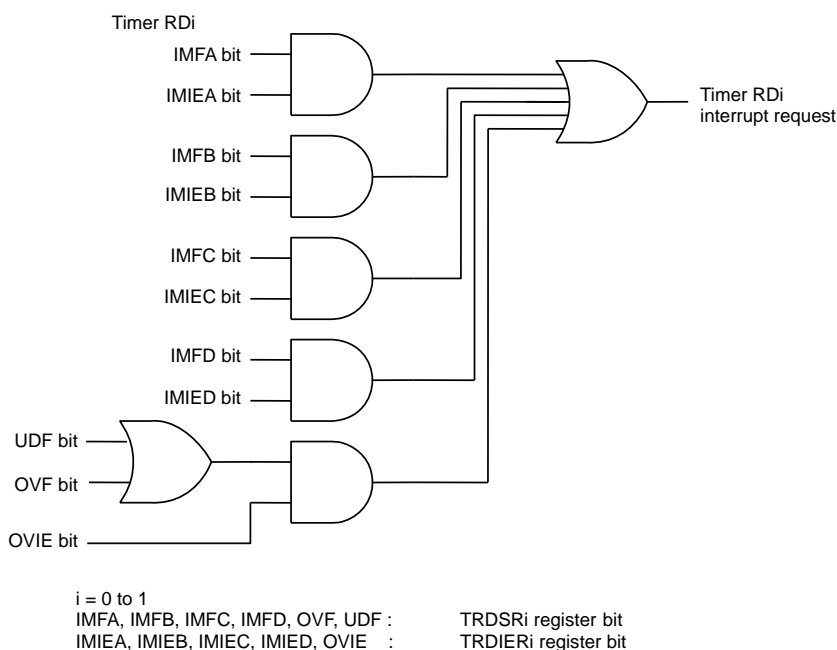
Timer RD generates the timer RD_i (i = 0 or 1) interrupt request from six sources for each timer RD0 and timer RD1.

Table 8-20 lists the Registers Associated with Timer RD Interrupt and Figure 8-62 shows the Timer RD Interrupt Block Diagram.

Table 8-20. Registers Associated with Timer RD Interrupt

	Timer RD Status Register	Timer RD Interrupt Enable Register	Interrupt Request Flag (Register)	Interrupt Mask Flag (Register)	Priority Specification Flag (Register)
Timer RD0	TRDSR0	TRDIER0	TRDIF0 (IF0H)	TRDMK0 (MK0H)	TRDPR00 (PR00H) TRDPR10 (PR10H)
Timer RD1	TRDSR1	TRDIER1	TRDIF1 (IF0H)	TRDMK1 (MK0H)	TRDPR01 (PR00H) TRDPR11 (PR10H)

Figure 8-62. Timer RD Interrupt Block Diagram



Since the interrupt source (timer RD interrupt) is generated by a combination of multiple interrupt request sources for timer RD, the following differences from other maskable interrupts apply:

- When a bit in the TRDSR_i register is 1 and the corresponding bit in the TRDIER_i register is 1 (interrupt enabled), the TRDIF_i bit in the IF0H register is set to 1 (interrupt requested).
- If multiple bits in the TRDIER_i register are set to 1, use the TRDSR_i register to determine the source of the interrupt request.
- Since the bits in the TRDSR_i register are not automatically set to 0 even if the interrupt is acknowledged, set the corresponding bit to 0 in the interrupt routine.

Use either (a) or (b) described below to clear each bit of the TRDSR_i register.

- Set the TRDIER_i register to 00H (disabling all interrupts) and then write 0 to all of the status flags.
- When at least one bit in the TRDIER_i register has the setting 1 and the status flag of an interrupt source enabled by the corresponding bit is 1, write 0 to all of the status flag bits whose settings are 1 in the TRDSR_i register at the same time.

- While multiple bits in the TRDIERi register are set to 1, if the first request source is met and the TRDIFi bit is set to 1, and then the next request source is met, the TRDIFi bit is cleared to 0 when the interrupt is acknowledged. However, if the previously met request source is cleared, the TRDIFi bit is set to 1 by the next generated request source.

8.5 Notes on Timer RD

8.5.1 SFR Read/Write Access

The timer RD SFRs are undefined when FRQSEL4 = 1 in the user option byte (000C2H/020C2H) and TRD0EN = 0 in the PER1 register. If it is necessary to read the initial value, set f_{CLK} to f_{IH} and TRD0EN = 1 before reading.

When setting timer RD, set the TRD0EN bit in the PER1 register to 1 first. If the TRD0EN bit is 0, writes to the timer RD control registers are ignored and all the read values are the initial values (except for the port registers and the port mode registers).

The following registers must not be rewritten during count operation:

TRDEL_C, TRDMR, TRDPMR, TRDFCR, TRDOER1, TRDPTO bit in TRDOER2, TRDDFi, TRDCR_i, TRDIORAI, TRDIORCi, TRDPOCR_i

(1) TRDSTR Register

- Set the TRDSTR register by an 8-bit memory manipulation instruction.
- When the CSEL_i bit (i = 0 or 1) in the TRDSTR register is set to 0 (count stops at compare match between registers TRD_i and TRDGRA_i), the count does not stop and the TSTART_i bit remains unchanged even if 0 (count stops) is written to the TSTART_i bit.

The TSTART_i bit is set to 0 (count stops) only by a compare match with the TRDGRA_i register.

If the CSEL_i bit is 0 when rewriting the TRDSTR register, write 0 to the TSTART_i bit to change the CSEL_i bit to 1 without affecting count operation.

If 1 is written to the TSTART_i bit while the counter is stopped, count may be started.

To stop counting by a program, set the TSTART_i bit after setting the CSEL_i bit to 1. Even if 1 is written to the CSEL_i bit and 0 is written to the TSTART_i bit at the same time (using one instruction), the count cannot be stopped.

- Table 8-21 lists the TRDIO_{ji} (j = A, B, C, or D) Pin Output Level When Count Stops while using the TRDIO_{ji} (j = A, B, C, or D) pin for timer RD output.

Table 8-21. TRDIO_{ji} (j = A, B, C, or D) Pin Output Level When Count Stops

Count Stop	TRDIO _{ji} Pin Output When Count Stops
When the CSEL _i bit is set to 1, write 0 to the TSTART _i bit and the count stops.	The pin holds the output level immediately before the count stops. (The pin outputs the initial output level selected by bits OLS0 and OLS1 in the TRDFCR register in timer RD complementary and reset synchronous PWM modes.)
When the CSEL _i bit is set to 0, the count stops at compare match with registers TRD _i and TRDGRA _i .	The pin holds the output level after the output changes by compare match. (The pin outputs the initial output level selected by bits OLS0 and OLS1 in the TRDFCR register in timer RD complementary and reset synchronous PWM modes.)

Remark i = 0 or 1, j = A, B, C, or D

(2) TRDDFi Register (i = 0 or 1)

Set bits DFCK0 and DFCK1 in the TRDDFi register before starting count operation.

8.5.2 Mode Switching

- Set the count to stopped (set bits TSTART0 and TSTART1 to 0) before switching modes during operation.
- Set bits TRDIF0 and TRDIF1 to 0 before changing bits TSTART0 and TSTART1 from 0 to 1. Refer to **CHAPTER 22 INTERRUPT FUNCTIONS** for details.

8.5.3 Count Source

- Switch the count source after the count stops.

[Changing procedure]

- (1) Set the TSTART_i bit ($i = 0$ or 1) in the TRDSTR register to 0 (count stops).
 - (2) Change bits TCK0 to TCK2 in the TRDCR_i register.
- When selecting the count source for the timer RD, set the same clock source as the count source for f_{CLK} before setting bit 4 (TRD0EN) in the peripheral enable register 1 (PER1).

8.5.4 Input Capture Function

- Set the pulse width of the input capture signal to three or more cycles of the timer RD operating clock (f_{TRD}).
- The value of the TRD_i register is transferred to the TRDGR_{ji} register two to three cycles of the timer RD operating clock (f_{TRD}) after the input capture signal is applied to the TRDIO_{ji} pin ($i = 0$ or 1 , $j = A, B, C$, or D) (when no digital filter is used).
- In input capture mode, an input capture interrupt request for the active edge of the TRDIO_{ji} input is also generated when the TRDTSTART_i bit in the TRDSTR register is 0 (count stops) if the edge selected by bits TRDIO_{j0} and TRDIO_{j1} in the TRDIOR_{ji} register is input to the TRDIO_{ji} pin ($i = 0$ or 1 ; $j = A, B, C$, or D). Set the pulse width of the input capture signal to three or more cycles of the timer RD operating clock (f_{TRD}).

8.5.5 Procedure for Setting Pins TRDIOAi, TRDIOBi, TRDIOCi, and TRDIODi ($i = 0$ or 1)

After a reset, the I/O ports multiplexed with pins TRDIOAi, TRDIOBi, TRDIOCi, and TRDIODi function as input ports.

To output from pins TRDIOAi, TRDIOBi, TRDIOCi, and TRDIODi, use the following setting procedure:

Changing procedure

- (1) Set the mode and the initial value.
- (2) Enable output from pins TRDIOAi, TRDIOBi, TRDIOCi, and TRDIODi (TRDOER1 register).
- (3) Set the port register bits corresponding to pins TRDIOAi, TRDIOBi, TRDIOCi, and TRDIODi to 0.
- (4) Set the port mode register bits corresponding to pins TRDIOAi, TRDIOBi, TRDIOCi, and TRDIODi to output mode.
(Output is started from pins TRDIOAi, TRDIOBi, TRDIOCi, and TRDIODi)
- (5) Start the count (set bits TSTART0 and TSTART1 to 1).

To change the port mode register bits corresponding to pins TRDIOAi, TRDIOBi, TRDIOCi, and TRDIODi from output mode to input mode, use the following setting procedure:

- (1) Set the port mode register bits corresponding to pins TRDIOAi, TRDIOBi, TRDIOCi, and TRDIODi to input mode
(input is started from pins TRDIOAi, TRDIOBi, TRDIOCi, and TRDIODi).
- (2) Set to the input capture function.
- (3) Start the count (set bits TSTART0 and TSTART1 to 1).

When switching pins TRDIOAi, TRDIOBi, TRDIOCi, and TRDIODi from output mode to input mode, input capture operation may be performed depending on the pin states. When the digital filter is not used, edge detection is performed after two or more cycles of the timer RD operating clock (f_{TRD}) have elapsed. When the digital filter is used, edge detection is performed after five or more cycles of the sampling clock have elapsed.

8.5.6 External clock TRDCLK0

Set the pulse width of the external clock applied to the TRDCLK0 pin to three or more cycles of the timer RD operating clock (f_{TRD}).

8.5.7 Reset Synchronous PWM Mode

- When reset synchronous PWM mode is used for motor control, make sure OLS0 = OLS1.
- Set to reset synchronous PWM mode by the following procedure:
[Changing procedure]
 - (1) Set the TSTART0 bit in the TRDSTR register to 0 (count stops).
 - (2) Set bits CMD1 and CMD0 in the TRDFCR register to 00B (timer mode, PWM mode, and PWM3 mode).
 - (3) Set bits CMD1 and CMD0 to 01B (reset synchronous PWM mode).
 - (4) Set the other registers associated with timer RD again.

8.5.8 Complementary PWM Mode

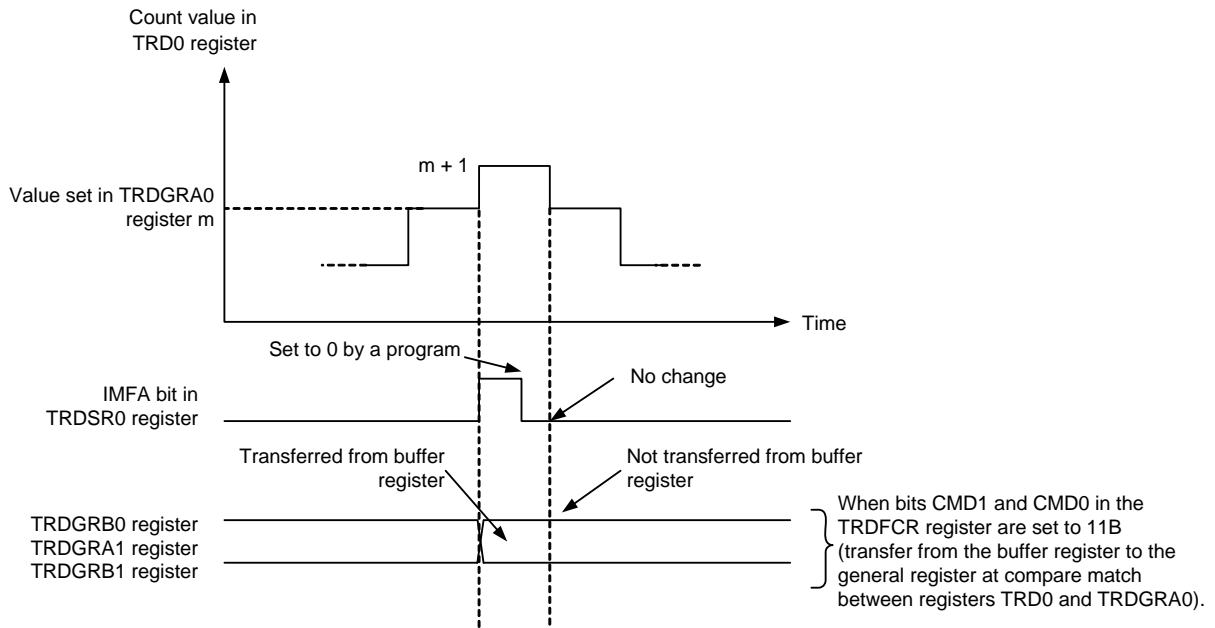
- When complementary PWM mode is used for motor control, make sure OLS0 = OLS1.
- Change bits CMD0 and CMD1 in the TRDFCR register in the following procedure.
Changing procedure: When setting to complementary PWM mode (including re-set), or changing the transfer timing from the buffer register to the general register in complementary PWM mode.
 - (1) Set both the TSTART0 and TSTART1 bits in the TRDSTR register to 0 (count stops).
 - (2) Set bits CMD1 and CMD0 in the TRDFCR register to 00B (timer mode, PWM mode, and PWM3 mode).
 - (3) Set bits CMD1 and CMD0 to 10B or 11B (complementary PWM mode).
 - (4) Set the registers associated with other timer RD again.

Changing procedure: When stopping complementary PWM mode

- (1) Set both the TSTART0 and TSTART1 bits in the TRDSTR register to 0 (count stops).
- (2) Set bits CMD1 to CMD0 to 00B (timer mode, PWM mode, and PWM3 mode).

- Do not write to the TRDGRA0, TRDGRB0, TRDGRA1, or TRDGRB1 register during operation.
When changing the PWM waveform, transfer the values written to registers TRDGRD0, TRDGRC1, and TRDGRD1 to registers TRDGRB0, TRDGRA1, and TRDGRB1 using the buffer operation.
However, to write data to the TRDGRD0, TRDGRC1, or TRDGRD1 register, set bits TRDBFD0, TRDBFC1, and TRDBFD1 to 0 (general register). After this, bits TRDBFD0, TRDBFC1, and TRDBFD1 may be set to 1 (buffer register).
The PWM period cannot be changed.
- If the value set in the TRDGRA0 register is assumed to be m , the TRD0 register counts $m - 1$, m , $m + 1$, m , $m - 1$, in that order, when changing from increment to decrement operation.
When changing from m to $m + 1$, the IMFA bit in the TRDSRi register is set to 1. Also, bits CMD1 and CMD0 in the TRDFCR register are set to 11B (complementary PWM mode, buffer data transferred at compare match between registers TRD0 and TRDGRA0), the content of the buffer registers (TRDGRD0, TRDGRC1, and TRDGRD1) is transferred to the general registers (TRDGRB0, TRDGRA1, and TRDGRB1).
During operation of $m + 1$, m , and $m - 1$, the IMFA bit remains unchanged and data is not transferred to registers such as the TRDGRA0 register.

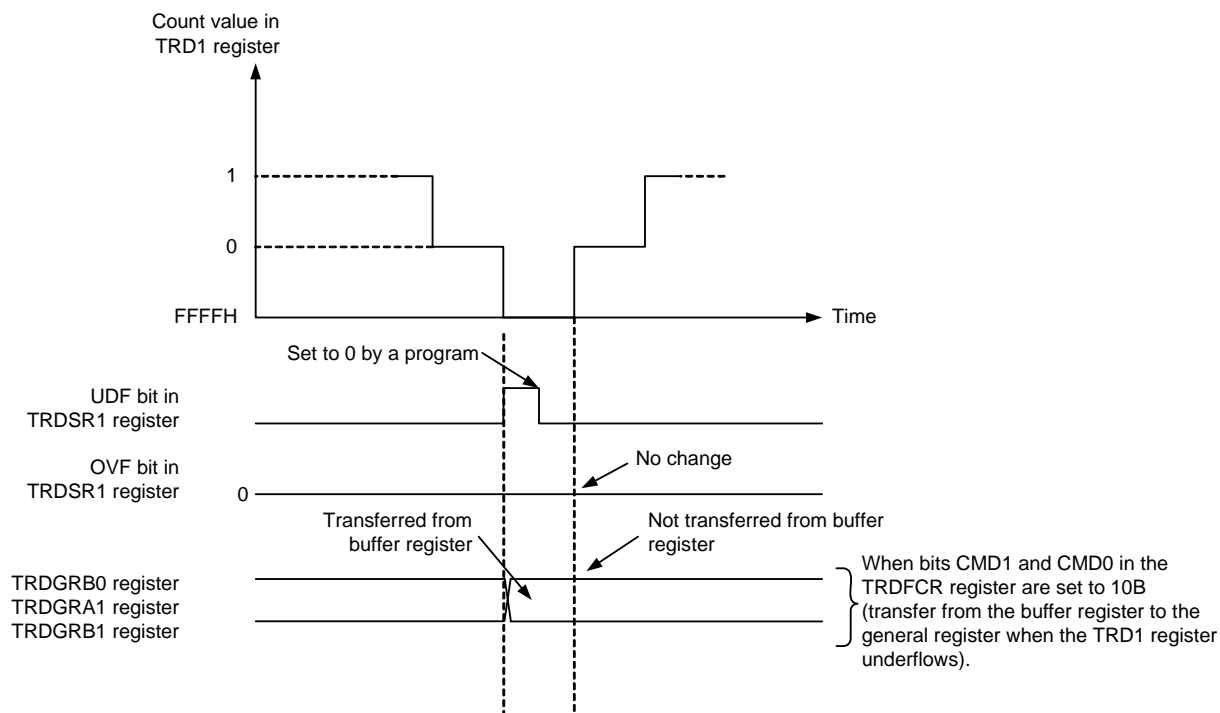
Figure 8-63. Operation at Compare Match between Registers TRD0 and TRDGRA0 in Complementary PWM Mode



The TRD1 register counts 1, 0, FFFFH, 0, 1, in that order, when changing from decrement to increment operation. Counting from 1, to 0, to FFFFH causes the UDF bit in the TRDSRi register to be set to 1. Also, when bits CMD1 and CMD0 in the TRDFCR register are set to 10B (complementary PWM mode, buffer data transferred at underflow of the TRD1 register), the content of the buffer registers (TRDGRD0, TRDGRC1, and TRDGRD1) is transferred to the general registers (TRDGRB0, TRDGRA1, and TRDGRB1).

During operation of FFFFH, 0, and 1, data is not transferred to registers such as the TRDGRB0 register. Also, at this time, the OVF bit in the TRDSRi register remains unchanged.

Figure 8-64. Operation When TRD1 Register Underflows in Complementary PWM Mode



- The timing of data transfer from the buffer register to the general register should be selected using bits CMD0 and CMD1 in the TRDFCR register. However, regardless of the values of bits CMD0 and CMD1, transfer takes place with the following timing when duty cycle is 0% and duty cycle is 100%.

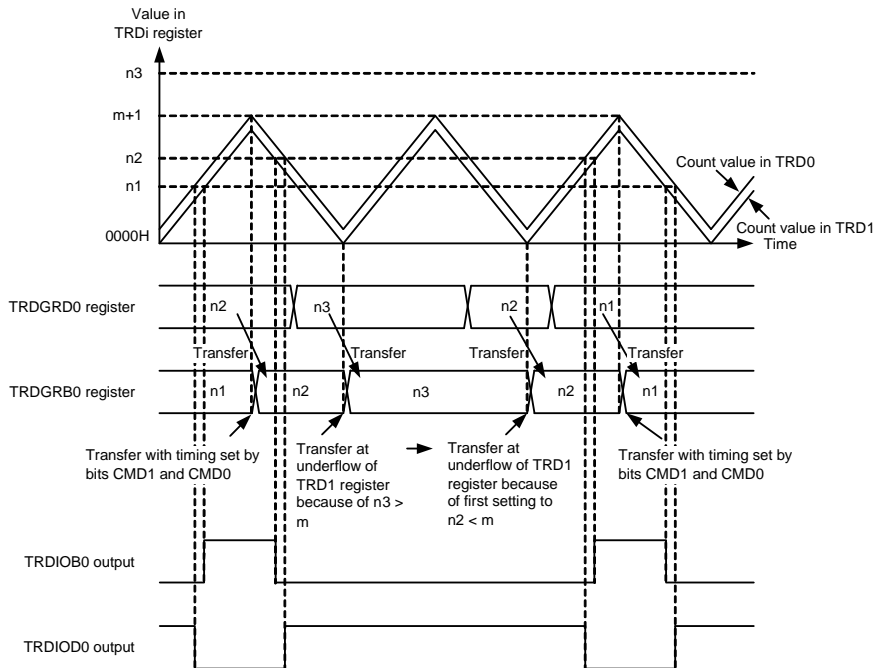
Value in buffer register \geq value in TRDGRA0 register (duty cycle is 0%):

Transfer take place at underflow of the TRD1 register.

After this, when the buffer register is set to 0001H or above and a smaller value than the value of the TRDGRA0 register, and the TRD1 register underflows for the first time after setting, the value is transferred to the general register. After that, the value is transferred with the timing selected by bits CMD1 and CMD0. A direct change of the duty from 0% to 100% is not possible.

However, no waveform with duty cycle 0% can be generated while the initial value of the buffer register is FFFFH. To generate a waveform with duty cycle 0%, set the value of the buffer register \geq TRDGRA0 by writing to the buffer register.

Figure 8-65. Operation When Value in Buffer Register \geq Value in TRDGRA0 Register in Complementary PWM Mode

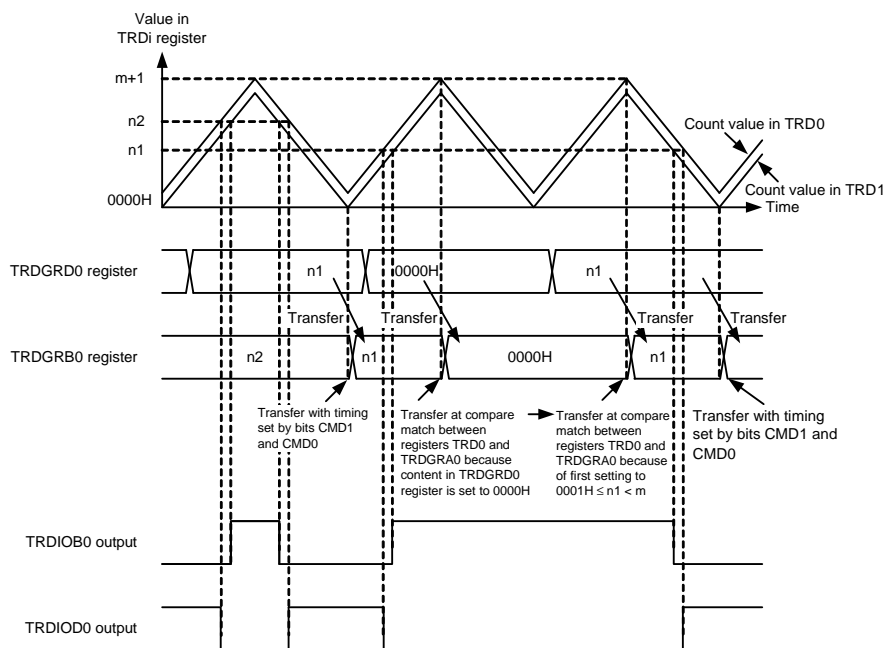


Remark
m: Value set in TRDGRA0 register

- The above diagram applies under the following conditions:
- Bits CMD1 and CMD0 in the TRDFCR register are set to 11B (data in the buffer register is transferred at compare match between registers TRD 0 and TRDGRA0 in complementary PWM mode).
 - Both the OSL0 and OLS1 bits in the TRDFCR register are set to 1 (active high for normal-phase and counter-phase).

When the value in the buffer register is set to 0000H (duty cycle is 100%):
 Transfer takes place at compare match between registers TRD0 and TRDGRA0.
 After this, when the buffer register is set to 0001H or above and a smaller value than the value of the TRDGRA0 register, and a compare match occurs between registers TRD0 and TRDGRA0 for the first time after setting, the value is transferred to the general register. After that, the value is transferred with the timing selected by bits CMD0 and CMD1. A direct change of the duty from 100% to 0% is not possible.

Figure 8-66. Operation When Value in Buffer Register is Set to 0000H in Complementary PWM Mode



Remark
 m: Value set in TRDGRA0 register

- The above diagram applies under the following conditions:
- Bits CMD1 and CMD0 in the TRDFCR register are set to 10B (data in the buffer register is transferred at underflow of the TRD1 register in PWM mode).
 - Both the OLS0 and OLS1 bits in the TRDFCR register are set to 1 (active high for normal-phase and counter-phase).

CHAPTER 9 REAL-TIME CLOCK

9.1 Functions of Real-time Clock

The real-time clock has the following features.

- Having counters of year, month, week, day, hour, minute, and second, and can count up to 99 years.
- Constant-period interrupt function (period: 0.5 seconds, 1 second, 1 minute, 1 hour, 1 day, 1 month)
- Alarm interrupt function (alarm: week, hour, minute)
- Pin output function of 1 Hz
- Watch error correction register

Caution The count of year, month, week, day, hour, minutes and second can only be performed when a subsystem clock ($f_{SUB} = 32.768\text{ kHz}$), high-speed on-chip oscillator ($f_{IH} = 4\text{ MHz}$ or 8 MHz), or high-speed system clock ($f_{MX} = 4\text{ MHz}$, 8 MHz , 4.19 MHz , 8.38 MHz) is selected as the operation clock of the real-time clock. When selecting the high-speed on-chip oscillator or high-speed system clock, use the RTC clock select register (RTCCCL) to select the clock and the frequency divisor.

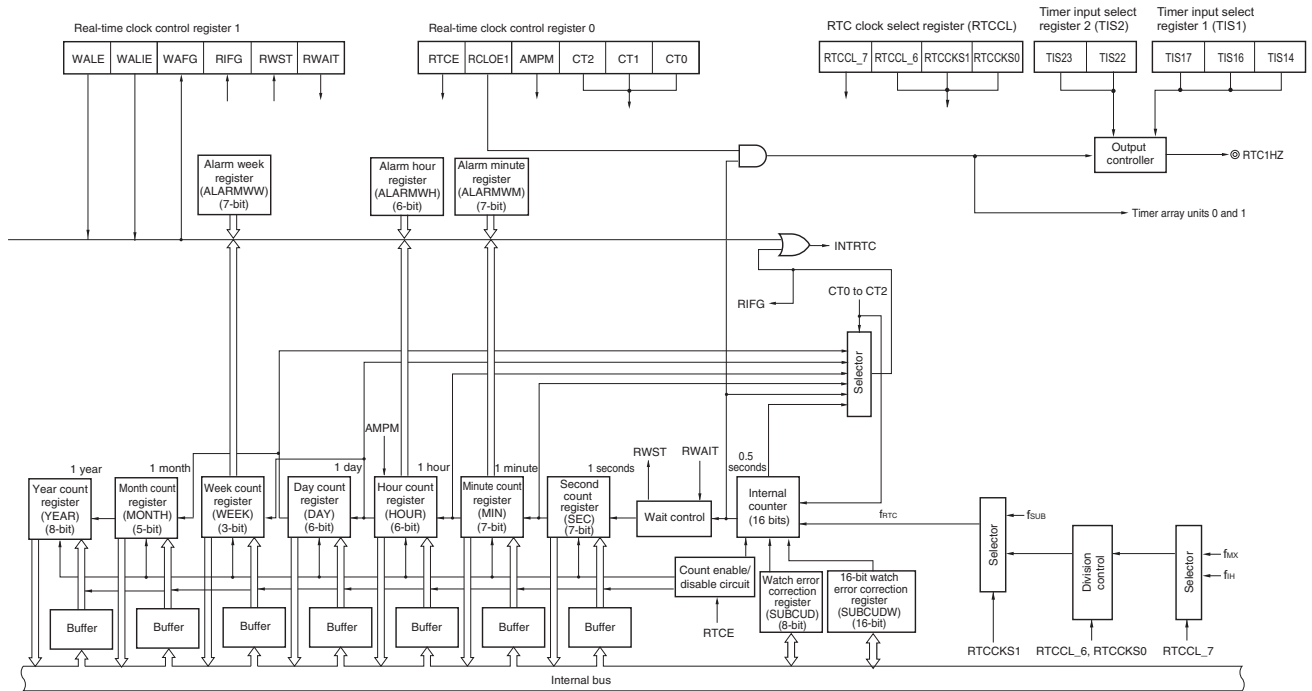
9.2 Configuration of Real-time Clock

The real-time clock includes the following hardware.

Table 9-1. Configuration of Real-time Clock

Item	Configuration
Counter	Internal counter (16 bits)
Control registers	Peripheral enable register 0 (PER0)
	Operation speed mode control register (OSMC)
	Timer input select register 1 (TIS1)
	Timer input select register 2 (TIS2)
	RTC clock select register (RTCCCL)
	Real-time clock control register 0 (RTCC0)
	Real-time clock control register 1 (RTCC1)
	Second count register (SEC)
	Minute count register (MIN)
	Hour count register (HOUR)
	Day count register (DAY)
	Week count register (WEEK)
	Month count register (MONTH)
	Year count register (YEAR)
	Watch error correction register (SUBCUD)
	16-bit watch error correction register (SUBCUDW)
	Alarm minute register (ALARMWMM)
Alarm hour register (ALARMWH)	
Alarm week register (ALARMWW)	

Figure 9-1. Block Diagram of Real-time Clock



9.3 Registers Controlling Real-time Clock

The real-time clock is controlled by the following registers.

- Peripheral enable register 0 (PER0)
- Operation speed mode control register (OSMC)
- Timer input select register 1 (TIS1)
- Timer input select register 2 (TIS2)
- RTC clock select register (RTCCL)
- Real-time clock control register 0 (RTCC0)
- Real-time clock control register 1 (RTCC1)
- Second count register (SEC)
- Minute count register (MIN)
- Hour count register (HOUR)
- Day count register (DAY)
- Week count register (WEEK)
- Month count register (MONTH)
- Year count register (YEAR)
- Watch error correction register (SUBCUD)
- 16-bit watch error correction register (SUBCUDW)
- Alarm minute register (ALARMWM)
- Alarm hour register (ALARMWH)
- Alarm week register (ALARMWW)

9.3.1 Peripheral enable register 0 (PER0)

This register is used to enable or disable supplying the clock to the peripheral hardware. Clock supply to a hardware macro that is not used is stopped in order to reduce the power consumption and noise.

When the real-time clock is used, be sure to set the operation clock of the real-time clock by the RTCCL register before setting bit 7 (RTCEN) of this register to 1.

Set the PER0 register by a 1-bit or 8-bit memory manipulation instruction.

Reset signal generation clears this register to 00H.

Writing to the PER0 register is disabled when the GCSC bit of the IAWCTL register is set to 1.

Figure 9-2. Format of Peripheral Enable Register 0 (PER0)

Address: F00F0H After reset: 00H R/W

Symbol	<7>	6	<5>	<4>	<3>	<2>	<1>	<0>
PER0	RTCEN	0	ADCEN	IICA0EN	SAU1EN	SAU0EN	TAU1EN	TAU0EN

RTCEN	Control of input clock supply to real-time clock (RTC)
0	Stops input clock supply. <ul style="list-style-type: none"> • SFR used by the real-time clock (RTC) cannot be written. • The real-time clock (RTC) is in the reset status.
1	Enables input clock supply. <ul style="list-style-type: none"> • SFR used by the real-time clock (RTC) can be read/written.

- Cautions**
1. When using the real-time clock, first set the RTCEN bit to 1, while oscillation of the input clock (f_{RTC}) is stable. If RTCEN = 0, writing to a control register of the real-time clock is ignored, and, even if the register is read, only the default value is read (except for the operation speed mode control register (OSMC), timer input select registers 1 and 2 (TIS1 and TIS2), and RTC clock select register (RTCCL)).
 2. Clock supply to peripheral functions other than the real-time clock can be stopped in HALT mode when the subsystem/low-speed on-chip oscillator select clock is used, by setting the RTCLPC bit of the operation speed mode control register (OSMC) to 1. In this case, set the RTCEN bit of the PER0 register to 1 and the other bits (bits 0 to 6) to 0.
 3. Be sure to set the operating clock of the real-time clock by RTCCL register before setting bit 7 (RTCEN) of this register to 1.
 4. Be sure to clear bits to 6.

9.3.2 Operation speed mode control register (OSMC)

The RTCLPC bit can be used to reduce power consumption by stopping clock functions that are unnecessary. For details about setting the RTCLPC bit, see **CHAPTER 5 CLOCK GENERATOR**.

Set the OSMC register by an 8-bit memory manipulation instruction.

Reset signal generation clears this register to 00H.

Figure 9-3. Format of Operation Speed Mode Control Register (OSMC)

Address: F00F3H After reset: 00H R/W

Symbol	7	6	5	4	3	2	1	0
OSMC	RTCLPC	0	0	WUTMMCK0	0	0	0	0

RTCLPC	Setting in STOP mode or HALT mode while subsystem/low-speed on-chip oscillator select clock is selected as CPU clock
0	Enables supply of subsystem/low-speed on-chip oscillator select clock to peripheral functions (See Table 24-1 , Table 24-2 and Table 24-3 for peripheral functions whose operations are enabled.)
1	Stops supply of subsystem/low-speed on-chip oscillator select clock to peripheral functions other than real-time clock.

9.3.3 Timer input select register 1 (TIS1)

The TIS1 register selects an input source of the timer array unit 0.

The TIS17, TIS16, and TIS14 bits in the TIS1 register are used in conjunction with the real time clock to implement the watch error correction in channels 7 and 6. When the TIS17 and TIS16 bits are set to 0 and 1 respectively, the RTC1HZ output signal is selected for the timer input of channel 7.

When the TIS14 bit is set to 1, the RTC1HZ output signal is selected for the timer input of channel 6.

Set the TIS1 register by an 8-bit memory manipulation instruction.

Reset signal generation clears this register to 00H.

Figure 9-4. Format of Timer Input Select Register 1 (TIS1)

Address: F0075H After reset: 00H R/W

Symbol	7	6	5	4	3	2	1	0
TIS1	TIS17	TIS16	0	TIS14	0	TIS12	0	TIS0

TIS17	TIS16	Selection of timer input used with channel 7 of timer array unit 0
0	0	Input signal of timer input pin (TI07)
0	1	RTC1HZ output signal
1	0	RXD0 pin (detection of the wake-up signal and measurement of the low-level width of the sync break field and the pulse width of the sync field)
1	1	Setting prohibited

TIS14	Selection of timer input used with channel 6 of timer array unit 0
0	Input signal of timer input pin (TI06)
1	RTC1HZ output signal

TIS12	Selection of timer input used with channel 5 of timer array unit 0
0	Input signal of timer input pin (TI05)
1	Input signal of timer input pin (TI03)

TIS10	Selection of timer input used with channel 4 of timer array unit 0
0	Input signal of timer input pin (TI04)
1	Input signal of timer input pin (TI03)

- Cautions**
1. Do not change the select bit of the timer input while inputting data to the TIMn pin (m = 0, 1; n = 0 to 7).
 2. When selecting the RTC1HZ output signal for the clock source of the timer input used in channels 7 and 6 in the TAU, set the TIS17, TIS16, and TIS14 bits to 0, 1, and 1 respectively and select the RTC1HZ output signal for the timer input of channels 7 and 6.

Remark Set the TIS17 and TIS16 bits to 1 and 0 respectively and select the input signal of the RXD0 pin before using the LIN-bus communication.

9.3.4 Timer input select register 2 (TIS2)

The TIS2 register selects an input source of the timer array unit 1.

The TIS23 and TIS22 bits in the TIS2 register are used in conjunction with the real time clock to implement the watch error correction in channels 7 and 6. When the TIS23 bit is set to 1, the RTC1HZ output signal is selected for the timer input of channel 7. When the TIS22 bit is set to 1, the RTC1HZ output signal is selected for the timer input of channel 6.

Set the TIS2 register by an 8-bit memory manipulation instruction.

Reset signal generation clears this register to 00H.

Figure 9-5. Format of Timer Input Select Register 2 (TIS2)

Address: F007AH After reset: 00H R/W

Symbol	7	6	5	4	3	2	1	0
TIS2	0	0	0	0	TIS23	TIS22	0	0

TIS22	Selection of timer input used with channel 6 of timer array unit 1
0	Input signal of timer input pin (TI16)
1	RTC1HZ output signal

TIS23	Selection of timer input used with channel 7 of timer array unit 1
0	Input signal of timer input pin (TI17)
1	RTC1HZ output signal

- Cautions**
1. Do not change the select bit of the timer input while inputting data to the TImn pin (m = 0, 1; n = 0 to 7).
 2. When selecting the RTC1HZ output signal for the clock source of the timer input used in channels 7 and 6 in the TAU, set the TIS23 and TIS22 bits to 1 and select the RTC1HZ output signal for the timer input of channels 7 and 6.

9.3.5 RTC clock select register (RTCCL)

The RTCCL register is used to select the operation clock of the real-time clock.

Set the RTCCL register by a 1-bit or 8-bit memory manipulation instruction.

Reset signal generation clears this register to 00H.

Figure 9-6. Format of RTC clock select register (RTCCL)

Address: F02C8H After reset: 00H R/W

Symbol	7	6	5	4	3	2	1	0
RTCCL	RTCCL_7	RTCCL_6	-	-	-	-	RTCKS1	RTCKS0

RTCCL_7	Control over operation of the low-speed on-chip oscillator
0	High-speed system clock (f_{MX})
1	High-speed on-chip oscillator clock (f_{IH})

RTCKS1 Note 3	RTCKS0	RTCCL_6	Control of RTC operating clock selection
0	0	×	Subsystem clock (f_{SUB}) Note 1
0	1	×	
1	0	0	f_{MX} or f_{IH} / 128 Note 2
1	0	1	f_{MX} or f_{IH} / 122 Note 2
1	1	0	f_{MX} or f_{IH} / 256 Note 2
1	1	1	f_{MX} or f_{IH} / 244 Note 2

- Notes**
1. When the SELLOSC bit in the CKSEL register is 1, the subsystem clock (f_{SUB}) cannot be supplied to the input clock (f_{RTC}) of the real time clock.
 2. Switch after selecting RTCCL_7.
 3. When setting the RTCKS1 bit to 1, first set the CSS bit in the CKC register to 0 to select the main system/PLL select clock (f_{MP}) as the CPU/peripheral hardware clock (f_{CLK}).

Cautions Set bits 2 to 5 to 0.

Remark ×: don't care

9.3.6 Real-time clock control register 0 (RTCC0)

The RTCC0 register is an 8-bit register that is used to start or stop the real-time clock operation, control the RTC1HZ pin, and set a 12- or 24-hour system and the constant-period interrupt function.

Set the RTCC0 register by a 1-bit or 8-bit memory manipulation instruction.

Reset signal generation clears this register to 00H.

Figure 9-7. Format of Real-time Clock Control Register 0 (RTCC0)

Address: FFF9DH After reset: 00H R/W

Symbol	<7>	6	<5>	4	3	2	1	0
RTCC0	RTCE	0	RCLOE1	0	AMPM	CT2	CT1	CT0

RTCE	Real-time clock operation control
0	Stops counter operation.
1	Starts counter operation.

RCLOE1	RTC1HZ pin output control
0	Disables output of the RTC1HZ pin (1 Hz).
1	Enables output of the RTC1HZ pin (1 Hz).

AMPM	Selection of 12-/24-hour system
0	12-hour system (a.m. and p.m. are displayed.)
1	24-hour system
<ul style="list-style-type: none"> • Rewrite the AMPM bit value after setting the RWAIT bit (bit 0 of real-time clock control register 1 (RTCC1)) to 1. If the AMPM bit value is changed, the values of the hour count register (HOUR) change according to the specified time system. • Table 9-2 shows the displayed time digits that are displayed. 	

CT2	CT1	CT0	Constant-period interrupt (INTRTC) selection
0	0	0	Does not use fixed-cycle interrupt function.
0	0	1	Once per 0.5 s (synchronized with second count up)
0	1	0	Once per 1 s (same time as second count up)
0	1	1	Once per 1 m (second 00 of every minute)
1	0	0	Once per 1 hour (minute 00 and second 00 of every hour)
1	0	1	Once per 1 day (hour 00, minute 00, and second 00 of every day)
1	1	×	Once per 1 month (Day 1, hour 00 a.m., minute 00, and second 00 of every month)

When changing the values of the CT2 to CT0 bits while the counter operates (RTCE = 1), rewrite the values of the CT2 to CT0 bits after disabling interrupt servicing INTRTC by using the interrupt mask flag register. Furthermore, after rewriting the values of the CT2 to CT0 bits, enable interrupt servicing after clearing the RIFG and RTCIF flags.

Caution Do not change the value of the RTCLOE1 bit when RTCE = 1.

Remark ×: don't care

9.3.7 Real-time clock control register 1 (RTCC1)

The RTCC1 register is an 8-bit register that is used to control the alarm interrupt function and the wait time of the counter.

Set the RTCC1 register by a 1-bit or 8-bit memory manipulation instruction.

Reset signal generation clears this register to 00H.

Figure 9-8. Format of Real-time Clock Control Register 1 (RTCC1) (1/2)

Address: FFF9EH After reset: 00H R/W ^{Note}

Symbol	<7>	<6>	5	<4>	<3>	2	<1>	<0>
RTCC1	WALE	WALIE	0	WAFG	RIFG	0	RWST	RWAIT

WALE	Alarm operation control
0	Match operation is invalid.
1	Match operation is valid.
When setting a value to the WALE bit while the counter operates (RTCE = 1) and WALIE = 1, rewrite the WALE bit after disabling interrupt servicing INTRTC by using the interrupt mask flag register. Furthermore, clear the WAFG and RTCIF flags after rewriting the WALE bit. When setting each alarm register (WALIE flag of real-time clock control register 1 (RTCC1), the alarm minute register (ALARMWM), the alarm hour register (ALARMWH), and the alarm week register (ALARMWW)), set match operation to be invalid ("0") for the WALE bit.	

WALIE	Control of alarm interrupt (INTRTC) function operation
0	Does not generate interrupt on matching of alarm.
1	Generates interrupt on matching of alarm.

WAFG	Alarm detection status flag
0	Alarm mismatch
1	Detection of matching of alarm
This is a status flag that indicates detection of matching with the alarm. It is valid only when WALE = 1 and is set to "1", one operating clock (f _{RTC}) after matching of the alarm is detected. This flag is cleared when "0" is written to it. Writing "1" to it is invalid.	

Note Bit 1 is read-only.

Figure 9-8. Format of Real-time Clock Control Register 1 (RTCC1) (2/2)

RIFG	Constant-period interrupt status flag
0	Fixed-cycle interrupt is not generated.
1	Fixed-cycle interrupt is generated.
<p>This flag indicates the status of generation of the fixed-cycle interrupt. When the fixed-cycle interrupt is generated, it is set to "1".</p> <p>This flag is cleared when "0" is written to it. Writing "1" to it is invalid.</p>	
RWST	Wait status flag of real-time clock
0	Counter is operating.
1	Mode to read or write counter value
<p>This status flag indicates whether the setting of the RWAIT bit is valid.</p> <p>Before reading or writing the counter value, confirm that the value of this flag is 1.</p>	
RWAIT	Wait control of real-time clock
0	Sets counter operation.
1	Stops SEC to YEAR counters. Mode to read or write counter value
<p>This bit controls the operation of the counter.</p> <p>Be sure to write "1" to it to read or write the counter value.</p> <p>As the internal counter (16 bits) is continuing to run, complete reading or writing within one second and turn back to 0.</p> <p>When RWAIT = 1, it takes up to 1 operating clock (f_{RTC}) until the counter value can be read or written (RWST = 1).</p> <p><small>Notes 1, 2</small></p> <p>When the internal counter (16 bits) overflowed while RWAIT = 1, it keeps the event of overflow until RWAIT = 0, then counts up.</p> <p>However, when it wrote a value to second count register, it will not keep the overflow event.</p>	

- Notes 1.** When setting RWAIT=1 during 1 operating clock (f_{RTC}) after setting RTCE=1, it may take two clock time of the operation clock(f_{RTC}) until RWST bit becomes "1".
- 2.** When setting RWAIT=1 during 1 operating clock (f_{RTC}) after returning from a stand-by (HALT mode, STOP mode, SNOOZE mode), it may take two clock time of the operation clock(f_{RTC}) until RWST bit becomes "1".

Caution If writing is performed to the RTCC1 register with a 1-bit manipulation instruction, the RIFG flag and WAFG flag may be cleared. Therefore, to perform writing to the RTCC1 register, be sure to use an 8-bit manipulation instruction. To prevent the RIFG flag and WAFG flag from being cleared during writing, disable writing by setting 1 to the corresponding bit. If the RIFG flag and WAFG flag are not used and the value may be changed, the RTCC1 register may be written by using a 1-bit manipulation instruction.

- Remarks 1.** Fixed-cycle interrupts and alarm match interrupts use the same interrupt source (INTRTC). When using these two types of interrupts at the same time, which interrupt occurred can be judged by checking the fixed-cycle interrupt status flag (RIFG) and the alarm detection status flag (WAFG) upon INTRTC occurrence.
- 2.** If writing is performed to the second count register (SEC), the internal counter (16 bits) is cleared.

9.3.8 Second count register (SEC)

The SEC register is an 8-bit register that takes a value of 0 to 59 (decimal) and indicates the count value of seconds. It counts up when the internal counter (16 bits) overflows.

When data is written to this register, it is written to a buffer and then to the counter up to 2 operating clocks (f_{RTC}) later. Set a decimal value of 00 to 59 to this register in BCD code.

Set the SEC register by an 8-bit memory manipulation instruction.

Reset signal generation clears this register to 00H.

Figure 9-9. Format of Second Count Register (SEC)

Address: FFF92H After reset: 00H R/W

Symbol	7	6	5	4	3	2	1	0
SEC	0	SEC40	SEC20	SEC10	SEC8	SEC4	SEC2	SEC1

Caution When it reads or writes from/to the register while the counter is in operation ($RTCE = 1$), see 9.4.3 Reading/writing real-time clock and follow the described procedures.

Remark If writing is performed to the second count register (SEC), the internal counter (16 bits) is cleared.

9.3.9 Minute count register (MIN)

The MIN register is an 8-bit register that takes a value of 0 to 59 (decimal) and indicates the count value of minutes. It counts up when the second counter overflows.

When data is written to this register, it is written to a buffer and then to the counter up to 2 operating clocks (f_{RTC}) later. Even if the second count register overflows while this register is being written, this register ignores the overflow and is set to the value written. Set a decimal value of 00 to 59 to this register in BCD code.

Set the MIN register by an 8-bit memory manipulation instruction.

Reset signal generation clears this register to 00H.

Figure 9-10. Format of Minute Count Register (MIN)

Address: FFF93H After reset: 00H R/W

Symbol	7	6	5	4	3	2	1	0
MIN	0	MIN40	MIN20	MIN10	MIN8	MIN4	MIN2	MIN1

Caution When it reads or writes from/to the register while the counter is in operation ($RTCE = 1$), see 9.4.3 Reading/writing real-time clock and follow the described procedures.

9.3.10 Hour count register (HOUR)

The HOUR register is an 8-bit register that takes a value of 00 to 23 or 01 to 12 and 21 to 32 (decimal) and indicates the count value of hours.

It counts up when the minute counter overflows.

When data is written to this register, it is written to a buffer and then to the counter up to 2 operating clocks (f_{RTC}) later. Even if the minute count register overflows while this register is being written, this register ignores the overflow and is set to the value written. Specify a decimal value of 00 to 23, 01 to 12, or 21 to 32 by using BCD code according to the time system specified using bit 3 (AMPM) of real-time clock control register 0 (RTCC0).

If the AMPM bit value is changed, the values of the HOUR register change according to the specified time system.

Set the HOUR register by an 8-bit memory manipulation instruction.

Reset signal generation clears this register to 12H.

However, the value of this register is 00H if the AMPM bit (bit 3 of the RTCC0 register) is set to 1 after reset.

Figure 9-11. Format of Hour Count Register (HOUR)

Address: FFF94H After reset: 12H R/W

Symbol	7	6	5	4	3	2	1	0
HOUR	0	0	HOUR20	HOUR10	HOUR8	HOUR4	HOUR2	HOUR1

- Cautions**
- 1. Bit 5 (HOUR20) of the HOUR register indicates AM(0)/PM(1) if AMPM = 0 (if the 12-hour system is selected).**
 - 2. When it reads or writes from/to the register while the counter is in operation (RTCE = 1), follow the procedures described in 9.4.3 Reading/writing real-time clock.**

Table 9-2 shows the relationship between the setting value of the AMPM bit, the hour count register (HOUR) value, and time.

Table 9-2. Displayed Time Digits

24-Hour Display (AMPM = 1)		12-Hour Display (AMPM = 1)	
Time	HOUR Register	Time	HOUR Register
0	00H	12 a.m.	12H
1	01H	1 a.m.	01H
2	02H	2 a.m.	02H
3	03H	3 a.m.	03H
4	04H	4 a.m.	04H
5	05H	5 a.m.	05H
6	06H	6 a.m.	06H
7	07H	7 a.m.	07H
8	08H	8 a.m.	08H
9	09H	9 a.m.	09H
10	10H	10 a.m.	10H
11	11H	11 a.m.	11H
12	12H	12 p.m.	32H
13	13H	1 p.m.	21H
14	14H	2 p.m.	22H
15	15H	3 p.m.	23H
16	16H	4 p.m.	24H
17	17H	5 p.m.	25H
18	18H	6 p.m.	26H
19	19H	7 p.m.	27H
20	20H	8 p.m.	28H
21	21H	9 p.m.	29H
22	22H	10 p.m.	30H
23	23H	11 p.m.	31H

The HOUR register value is set to 12-hour display when the AMPM bit is "0" and to 24-hour display when the AMPM bit is "1".

In 12-hour display, the fifth bit of the HOUR register displays 0 for AM and 1 for PM.

9.3.11 Day count register (DAY)

The DAY register is an 8-bit register that takes a value of 1 to 31 (decimal) and indicates the count value of days. It counts up when the hour counter overflows.

This counter counts as follows.

- 01 to 31 (January, March, May, July, August, October, December)
- 01 to 30 (April, June, September, November)
- 01 to 29 (February, leap year)
- 01 to 28 (February, normal year)

When data is written to this register, it is written to a buffer and then to the counter up to 2 operating clocks (f_{RTC}) later. Even if the hour count register overflows while this register is being written, this register ignores the overflow and is set to the value written. Set a decimal value of 01 to 31 to this register in BCD code.

Set the DAY register by an 8-bit memory manipulation instruction.

Reset signal generation clears this register to 01H.

Figure 9-12. Format of Day Count Register (DAY)

Address: FFF96H After reset: 01H R/W

Symbol	7	6	5	4	3	2	1	0
DAY	0	0	DAY20	DAY10	DAY8	DAY4	DAY2	DAY1

Caution When it reads or writes from/to the register while the counter is in operation ($RTCE = 1$), see **9.4.3 Reading/writing real-time clock and follow the described procedures.**

9.3.12 Week count register (WEEK)

The WEEK register is an 8-bit register that takes a value of 0 to 6 (decimal) and indicates the count value of weekdays. It counts up in synchronization with the day counter.

When data is written to this register, it is written to a buffer and then to the counter up to 2 operating clocks (f_{RTC}) later. Set a decimal value of 00 to 06 to this register in BCD code.

Set the WEEK register by an 8-bit memory manipulation instruction.

Reset signal generation clears this register to 00H.

Figure 9-13. Format of Week Count Register (WEEK)

Address: FFF95H After reset: 00H R/W

Symbol	7	6	5	4	3	2	1	0
WEEK	0	0	0	0	0	WEEK4	WEEK2	WEEK1

Cautions 1. The value corresponding to the month count register (MONTH) or the day count register (DAY) is not stored in the week count register (WEEK) automatically. After reset release, set the week count register as follow.

Day	WEEK
Sunday	00H
Monday	01H
Tuesday	02H
Wednesday	03H
Thursday	04H
Friday	05H
Saturday	06H

2. When it reads or writes from/to the register while the counter is in operation (RTCE = 1), see 9.4.3 Reading/writing real-time clock and follow the described procedures.

9.3.13 Month count register (MONTH)

The MONTH register is an 8-bit register that takes a value of 1 to 12 (decimal) and indicates the count value of months. It counts up when the day counter overflows.

When data is written to this register, it is written to a buffer and then to the counter up to 2 operating clocks (f_{RTC}) later. Even if the day count register overflows while this register is being written, this register ignores the overflow and is set to the value written. Set a decimal value of 01 to 12 to this register in BCD code.

Set the MONTH register by an 8-bit memory manipulation instruction.

Reset signal generation clears this register to 01H.

Figure 9-14. Format of Month Count Register (MONTH)

Address: FFF97H After reset: 01H R/W

Symbol	7	6	5	4	3	2	1	0
MONTH	0	0	0	MONTH10	MONTH8	MONTH4	MONTH2	MONTH1

Caution When it reads or writes from/to the register while the counter is in operation (RTCE = 1), see 9.4.3 Reading/writing real-time clock and follow the described procedures.

9.3.14 Year count register (YEAR)

The YEAR register is an 8-bit register that takes a value of 0 to 99 (decimal) and indicates the count value of years. It counts up when the month count register (MONTH) overflows.

Values 00, 04, 08, ..., 92, and 96 indicate a leap year.

When data is written to this register, it is written to a buffer and then to the counter up to 2 operating clocks (f_{RTC}) later. Even if the MONTH register overflows while this register is being written, this register ignores the overflow and is set to the value written. Set a decimal value of 00 to 99 to this register in BCD code.

Set the YEAR register by an 8-bit memory manipulation instruction.

Reset signal generation clears this register to 00H.

Figure 9-15. Format of Year Count Register (YEAR)

Address: FFF98H After reset: 00H R/W

Symbol	7	6	5	4	3	2	1	0
YEAR	YEAR80	YEAR40	YEAR20	YEAR10	YEAR8	YEAR4	YEAR2	YEAR1

Caution When it reads or writes from/to the register while the counter is in operation (RTCE = 1), see 9.4.3 Reading/writing real-time clock and follow the described procedures.

9.3.15 Watch error correction register (SUBCUD)

This register is used to correct the watch with high accuracy when it is slow or fast by changing the value that overflows from the internal counter (16 bits) to the second count register (SEC) (reference value: 7FFFH).

Set the SUBCUD register by an 8-bit memory manipulation instruction.

Reset signal generation clears this register to 00H.

Figure 9-16. Format of Watch Error Correction Register (SUBCUD)

Address: FFF99H After reset: 00H R/W

Symbol	7	6	5	4	3	2	1	0
SUBCUD	DEV	F12	F5	F4	F3	F2	F1	F0

DEV	Setting of watch error correction timing
0	Corrects watch error when the second digits are at 00, 20, or 40 (every 20 seconds).
1	Corrects watch error only when the second digits are at 00 (every 60 seconds).
Writing to the SUBCUD register at the following timing is prohibited.	
<ul style="list-style-type: none"> • When DEV = 0 is set: For a period of SEC = 00H, 20H, 40H • When DEV = 1 is set: For a period of SEC = 00H 	

F12	Setting of watch error correction value
0	Increases by $\{(F5, F4, F3, F2, F1, F0) - 1\} \times 2$.
1	Decreases by $\{(/F5, /F4, /F3, /F2, /F1, /F0) + 1\} \times 2$.
When (F12, F5, F4, F3, F2, F1, F0) = (*, 0, 0, 0, 0, 0, *), the watch error is not corrected.	
Range of correction value: (when F12 = 0) 2, 4, 6, 8, ..., 120, 122, 124	
(when F12 = 1) -2, -4, -6, -8, ..., -120, -122, -124	

- Cautions**
1. / of /Fn (n = 0 to 5) means invert.
 2. * means 0 or 1.

The range of value that can be corrected by using the watch error correction register (SUBCUD) is shown below.

	DEV = 0 (correction every 20 seconds)	DEV = 1 (correction every 60 seconds)
Correctable range	-189.2 ppm to 189.2 ppm	-63.1 ppm to 63.1 ppm
Maximum excludes quantization error	± 1.53 ppm	± 0.51 ppm
Minimum resolution	± 3.05 ppm	± 1.02 ppm

Remark If a correctable range is -63.1 ppm or lower and 63.1 ppm or higher, set 0 to DEV.

9.3.16 16-bit watch error correction register (SUBCUDW)

This register is used to correct the watch with high accuracy when it is slow or fast by changing the value that overflows from the internal counter (16 bits) to the second count register (SEC) (reference value: 7FFFH).

Set the SUBCUDW register by a 16-bit memory manipulation instruction.

Reset signal generation clears this register to 0000H.

Figure 9-17. Format of 16-Bit Watch Error Correction Register (SUBCUDW)

Address: FFF54H After reset: 0000H R/W

Symbol	15	14	13	12	11	10	9	8
SUBCUDW	DEV	-	-	F12	F11	F10	F9	F8
	7	6	5	4	3	2	1	0
	F7	F6	F5	F4	F3	F2	F1	F0

DEV	Setting of watch error correction timing
0	Corrects watch error when the second digits are at 00, 20, or 40 (every 20 seconds).
1	Corrects watch error only when the second digits are at 00 (every 60 seconds).
Writing to the SUBCUDW register at the following timing is prohibited.	
<ul style="list-style-type: none"> • When DEV = 0 is set: For a period of SEC = 00H, 20H, 40H • When DEV = 1 is set: For a period of SEC = 00H 	

F12	Setting of watch error correction value
0	Increases by $\{(F11, F10, F9, F8, F7, F6, F5, F4, F3, F2, F1, F0) - 1\} \times 2$.
1	Decreases by $\{/(F11, /F10, /F9, /F8, /F7, /F6, /F5, /F4, /F3, /F2, /F1, /F0) + 1\} \times 2$.
When (F12, F11, F10, F9, F8, F7, F6, F5, F4, F3, F2, F1, F0) = (*, 0, 0, 0, 0, 0, 0, 0, 0, 0, 0, 0, *), the watch error is not corrected.	
Range of correction value: (when F12 = 0) 2, 4, 6, 8, ..., 8184, 8186, 8188	
(when F12 = 1) -2, -4, -6, -8, ..., -8184, -8186, -8188	

- Cautions**
1. / of /Fn (n = 0 to 11) means invert.
 2. * means 0 or 1.

The range of value that can be corrected by using the 16-bit watch error correction register (SUBCUDW) is shown below.

	DEV = 0 (correction every 20 seconds)	DEV = 1 (correction every 60 seconds)
Correctable range	-12496.9 ppm to 12496.9 ppm	-4165.6 ppm to 4165.6 ppm
Maximum excludes quantization error	± 1.53 ppm	± 0.51 ppm
Minimum resolution	± 3.05 ppm	± 1.02 ppm

Remark If a correctable range is -4165.6 ppm or lower and 4165.6 ppm or higher, set DEV to 0.

9.3.17 Alarm minute register (ALARMWWM)

This register is used to set minutes of alarm.

Set the ALARMWWM register by an 8-bit memory manipulation instruction.

Reset signal generation clears this register to 00H.

Caution Set a decimal value of 00 to 59 to this register in BCD code. If a value outside the range is set, the alarm is not detected.

Figure 9-18. Format of Alarm Minute Register (ALARMWWM)

Address: FFF9AH After reset: 00H R/W

Symbol	7	6	5	4	3	2	1	0
ALARMWWM	0	WM40	WM20	WM10	WM8	WM4	WM2	WM1

9.3.18 Alarm hour register (ALARMWH)

This register is used to set hours of alarm.

Set the ALARMWH register can be set by an 8-bit memory manipulation instruction.

Reset signal generation clears this register to 12H.

However, the value of this register is 00H if the AMPM bit is set to 1 after reset.

Caution Set a decimal value of 00 to 23, 01 to 12, or 21 to 32 to this register in BCD code. If a value outside the range is set, the alarm is not detected.

Figure 9-19. Format of Alarm Hour Register (ALARMWH)

Address: FFF9BH After reset: 12H R/W

Symbol	7	6	5	4	3	2	1	0
ALARMWH	0	0	WH20	WH10	WH8	WH4	WH2	WH1

Caution Bit 5 (WH20) of the ALARMWH register indicates AM(0)/PM(1) if AMPM = 0 (if the 12-hour system is selected).

9.3.19 Alarm week register (ALARMWW)

This register is used to set date of alarm.

Set the ALARMWW register by an 8-bit memory manipulation instruction.

Reset signal generation clears this register to 00H.

Figure 9-20. Format of Alarm Week Register (ALARMWW)

Address: FFF9CH After reset: 00H R/W

Symbol	7	6	5	4	3	2	1	0
ALARMWW	0	WW6	WW5	WW4	WW3	WW2	WW1	WW0

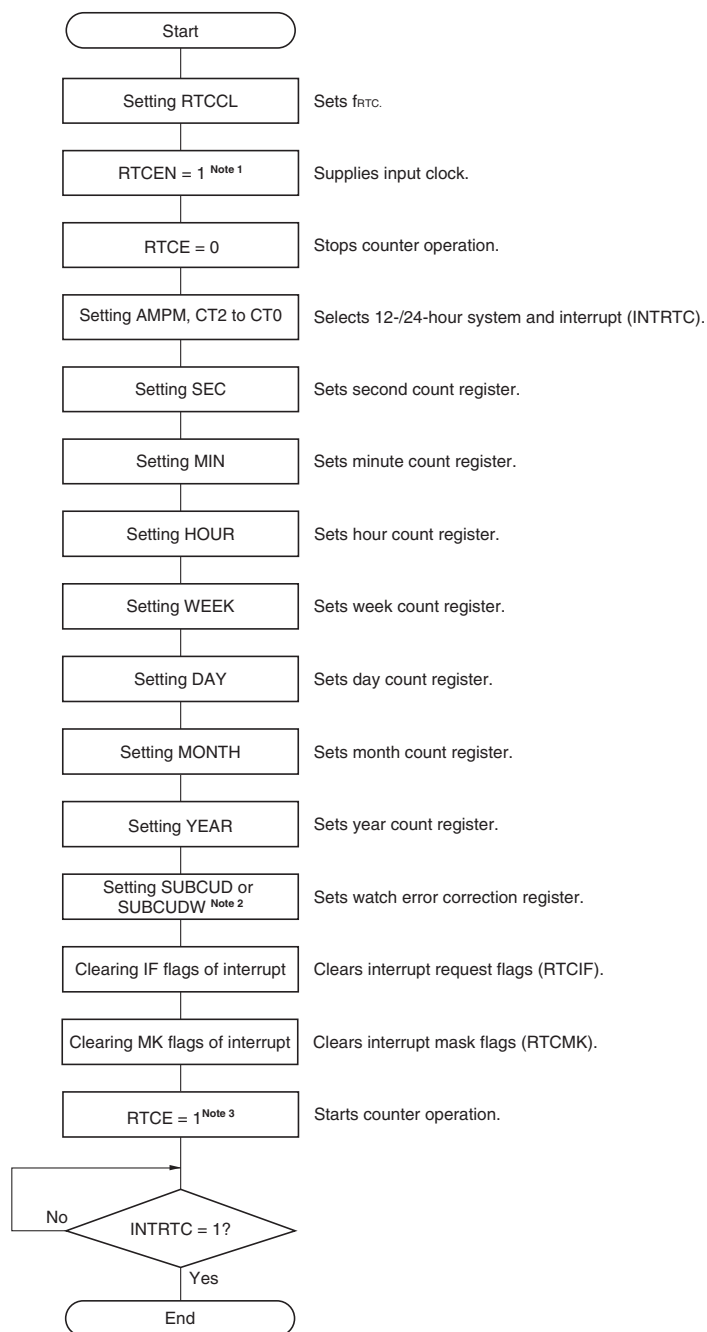
Here is an example of setting the alarm.

Time of Alarm	Day							12-Hour Display				24-Hour Display			
	Sunday	Monday	Tuesday	Wednesday	Thursday	Friday	Saturday	Hour 10	Hour 1	Minute 10	Minute 1	Hour 10	Hour 1	Minute 10	Minute 1
	W 0	W 1	W 2	W 3	W 4	W 5	W 6								
Every day, 0:00 a.m.	1	1	1	1	1	1	1	1	2	0	0	0	0	0	0
Every day, 1:30 a.m.	1	1	1	1	1	1	1	0	1	3	0	0	1	3	0
Every day, 11:59 a.m.	1	1	1	1	1	1	1	1	1	5	9	1	1	5	9
Monday through Friday, 0:00 p.m.	0	1	1	1	1	1	0	3	2	0	0	1	2	0	0
Sunday, 1:30 p.m.	1	0	0	0	0	0	0	2	1	3	0	1	3	3	0
Monday, Wednesday, Friday, 11:59 p.m.	0	1	0	1	0	1	0	3	1	5	9	2	3	5	9

9.4 Real-time Clock Operation

9.4.1 Starting operation of real-time clock

Figure 9-21. Procedure for Starting Operation of Real-time Clock



- Notes**
1. First set the RTCEN bit to 1, while oscillation of the input clock (f_{RTC}) is stable.
 2. Set up the SUBCUD register only if the watch error must be corrected. Set up the SUBCUDW register if the watch must be corrected with high accuracy. For details about how to calculate the correction value, see 9.4.6 Example of watch error correction of real-time clock.
 3. Confirm the procedure described in 9.4.2 Shifting to HALT/STOP mode after starting operation when shifting to HALT/STOP mode without waiting for INTRTC = 1 after RTCE = 1.

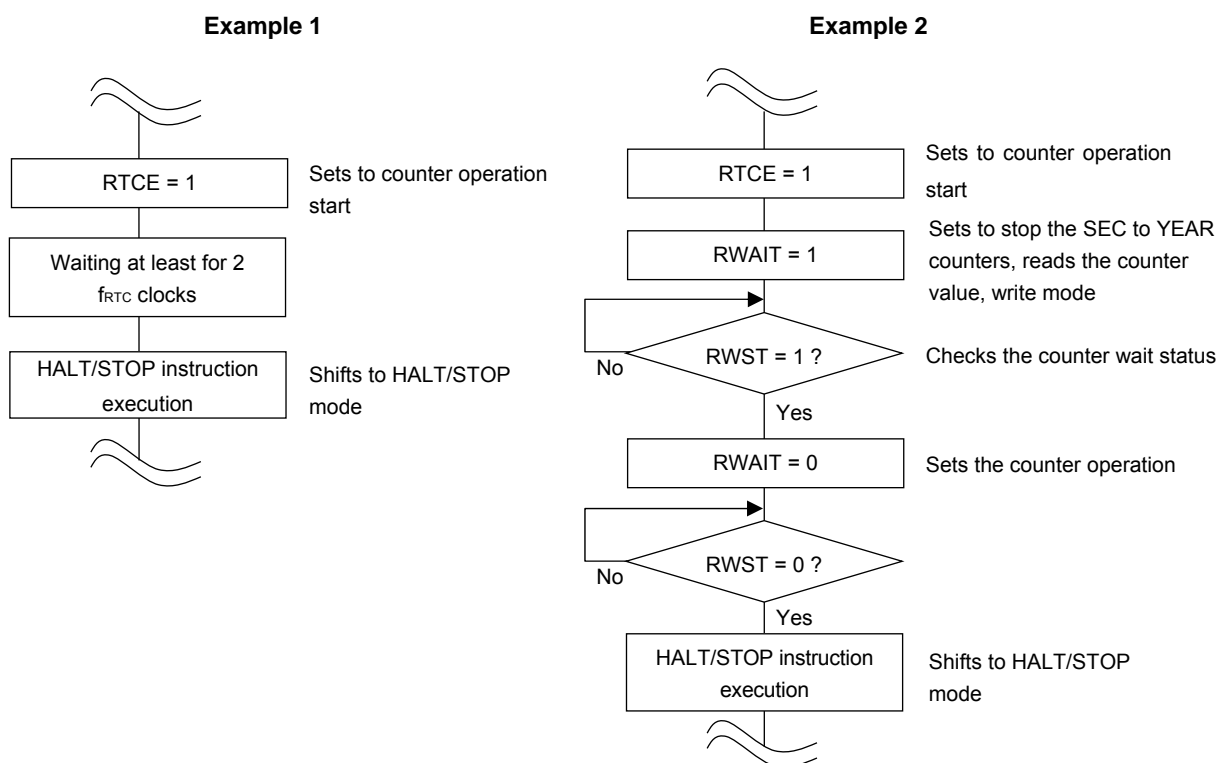
9.4.2 Shifting to HALT/STOP mode after starting operation

Perform one of the following processing when shifting to HALT/STOP mode immediately after setting the RTCE bit to 1.

However, after setting the RTCE bit to 1, this processing is not required when shifting to HALT/STOP mode after INTRTC interrupt has occurred.

- Shifting to HALT/STOP mode when at least two operating clocks (f_{RTC}) have elapsed after setting the RTCE bit to 1 (see **Figure 9-22, Example 1**).
- Checking by polling the RWST bit to become 1, after setting the RTCE bit to 1 and then setting the RWAIT bit to 1. Afterward, setting the RWAIT bit to 0 and shifting to HALT/STOP mode after checking again by polling that the RWST bit has become 0 (see **Figure 9-22, Example 2**).

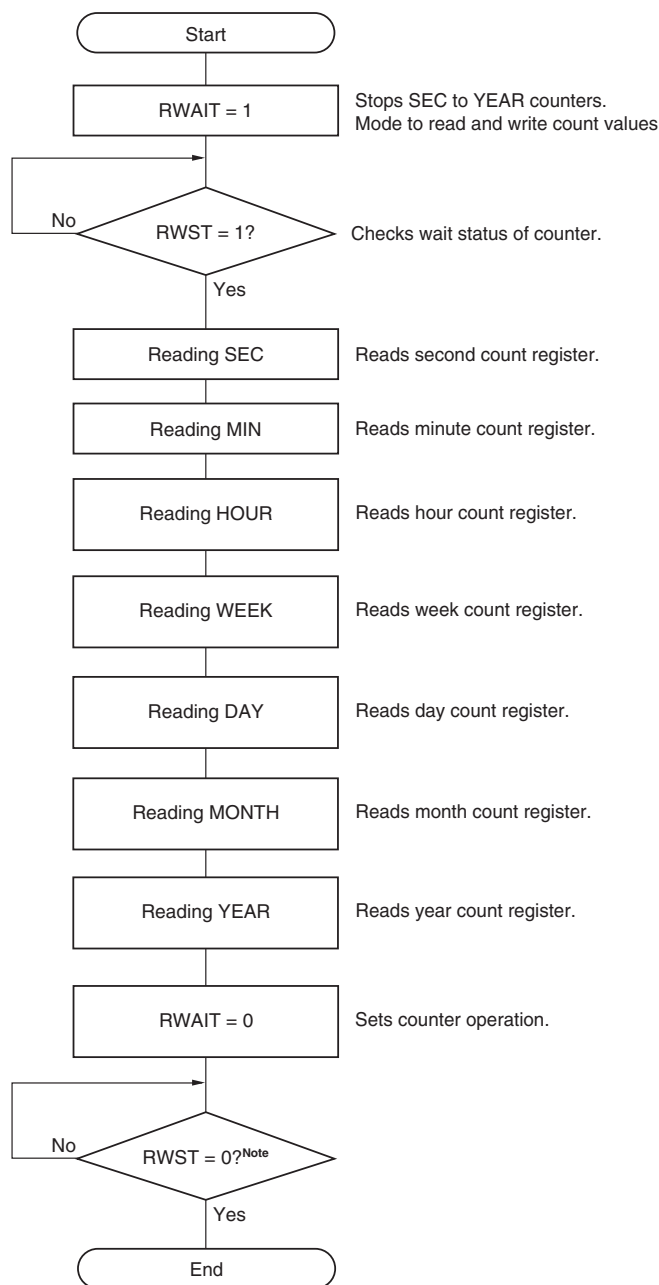
Figure 9-22. Procedure for Shifting to HALT/STOP Mode After Setting RTCE bit to 1



9.4.3 Reading/writing real-time clock

Read or write the counter after setting 1 to RWAIT first.
Set RWAIT to 0 after completion of reading or writing the counter.

Figure 9-23. Procedure for Reading Real-time Clock



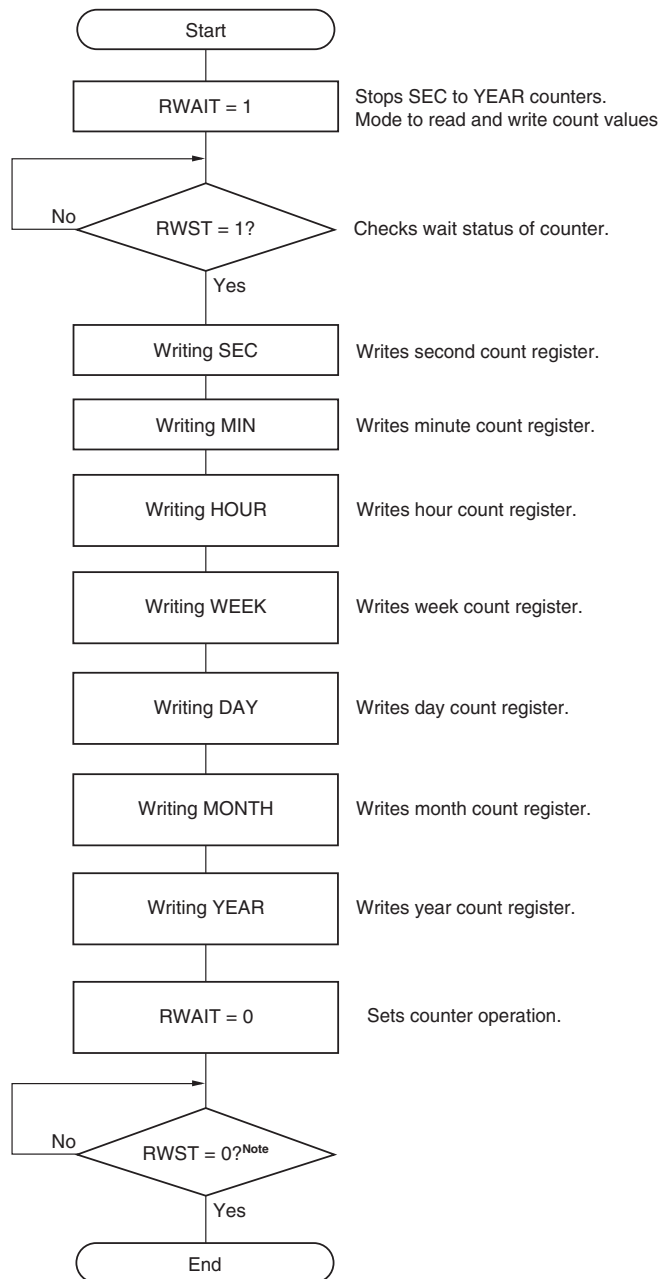
Note Be sure to confirm that RWST = 0 before setting HALT/STOP mode.

Caution Complete the series of process of setting the RWAIT bit to 1 to clearing the RWAIT bit to 0 within 1 second.

Remark The second count register (SEC), minute count register (MIN), hour count register (HOUR), week count register (WEEK), day count register (DAY), month count register (MONTH), and year count register (YEAR) may be read in any sequence.

All the registers do not have to read and only some registers may be read.

Figure 9-24. Procedure for Writing Real-time Clock



Note Be sure to confirm that RWST = 0 before setting HALT/STOP mode.

Cautions 1. Complete the series of operations of setting the RWAIT bit to 1 to clearing the RWAIT bit to 0 within 1 second.

2. When changing the values of the SEC, MIN, HOUR, WEEK, DAY, MONTH, and YEAR register while the counter operates (RTCE = 1), rewrite the values of the MIN register after disabling interrupt servicing INTRTC by using the interrupt mask flag register. Furthermore, clear the WAFG, RIFG and RTCIF flags after rewriting the MIN register.

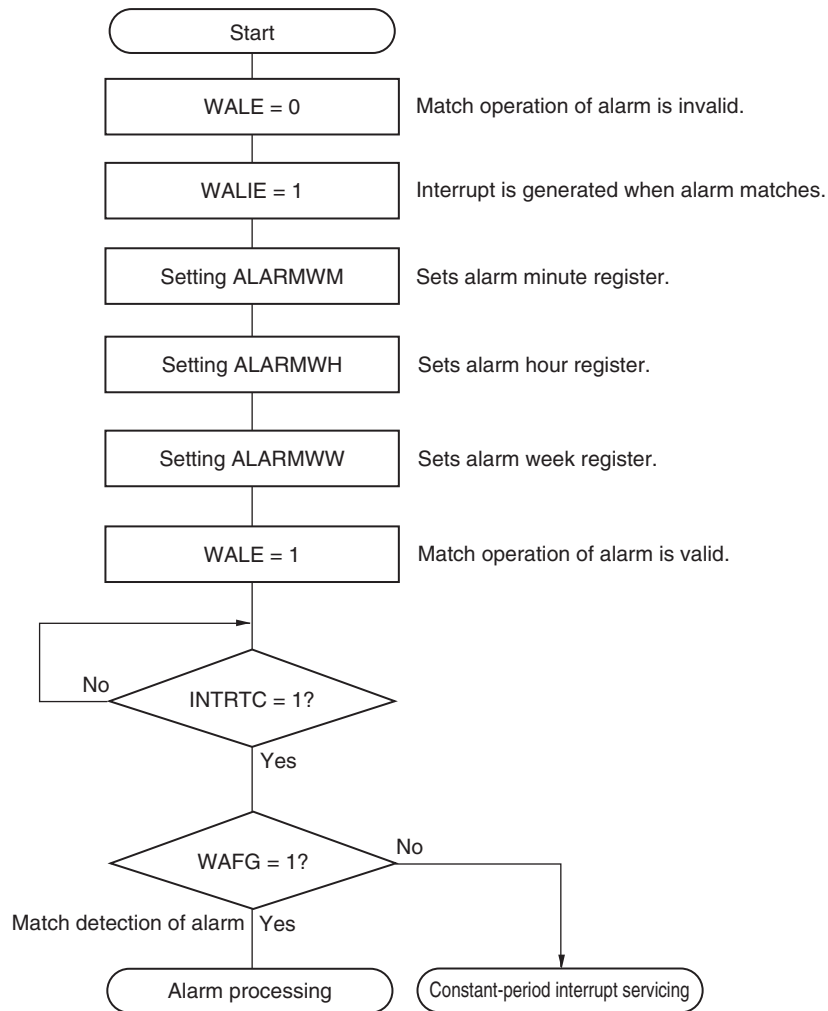
Remark The second count register (SEC), minute count register (MIN), hour count register (HOUR), week count register (WEEK), day count register (DAY), month count register (MONTH), and year count register (YEAR) may be written in any sequence.

All the registers do not have to be set and only some registers may be written.

9.4.4 Setting alarm of real-time clock

Set time of alarm after setting 0 to WALE first.

Figure 9-25. Alarm Setting Procedure

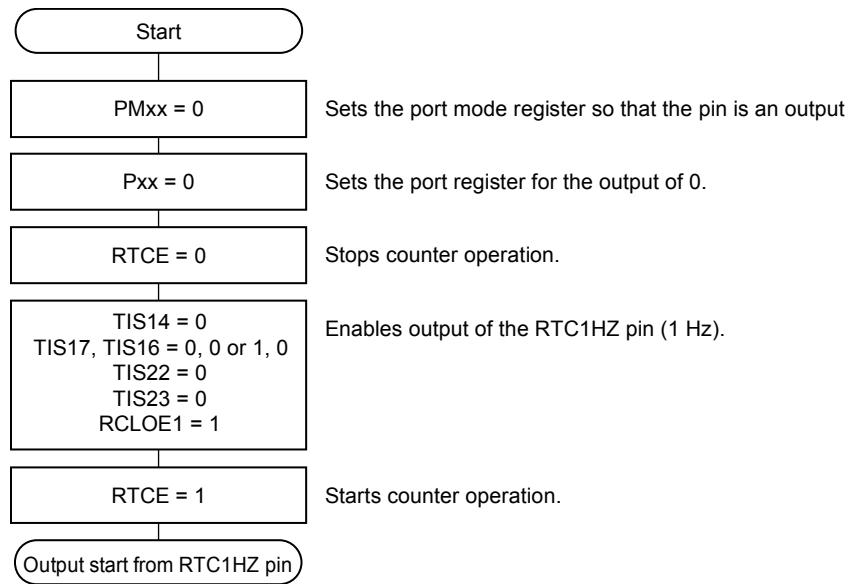


Remarks 1. The alarm week register (ALARMWW), alarm hour register (ALARMWH), and alarm week register (ALARMWW) may be written in any sequence.

2. Fixed-cycle interrupts and alarm match interrupts use the same interrupt source (INTRTC). When using these two types of interrupts at the same time, which interrupt occurred can be judged by checking the fixed-cycle interrupt status flag (RIFG) and the alarm detection status flag (WAFG) upon INTRTC occurrence.

9.4.5 1 Hz output of real-time clock

Figure 9-26. 1 Hz Output Setting Procedure



Caution First set the RTCEN bit to 1 while oscillation of the input clock (f_{RTC}) is stable.

9.4.6 Example of watch error correction of real-time clock

The watch can be corrected with high accuracy when it is slow or fast, by setting a value to the 16-bit watch error correction register (SUBCUDW).

(1) Example of calculating the correction value

The correction value used when correcting the count value of the internal counter (16 bits) is calculated by using the following expression.

Set the DEV bit to 0 when the correction range is -4165.6 ppm or less, or 4165.6 ppm or more.

(When DEV = 0)

$$\text{Correction value}^{\text{Note}} = \text{Number of correction counts in 1 minute} \div 3 = (\text{Oscillation frequency} \div \text{Target frequency} - 1) \times 32768 \times 60 \div 3$$

(When DEV = 1)

$$\text{Correction value}^{\text{Note}} = \text{Number of correction counts in 1 minute} = (\text{Oscillation frequency} \div \text{Target frequency} - 1) \times 32768 \times 60$$

Note The correction value is the watch error correction value calculated by using bits 12 to 0 of the 16-bit watch error correction register (SUBCUDW).

$$\text{(When F12 = 0) Correction value} = \{(F11, F10, F9, F8, F7, F6, F5, F4, F3, F2, F1, F0) - 1\} \times 2$$

$$\text{(When F12 = 1) Correction value} = -\{(/F11, /F10, /F9, /F8, /F7, /F6, /F5, /F4, /F3, /F2, /F1, /F0) + 1\} \times 2$$

When (F12, F11, F10, F9, F8, F7, F6, F5, F4, F3, F2, F1, F0) is (*, 0, 0, 0, 0, 0, 0, 0, 0, 0, 0, 0, *), watch error correction is not performed. "*" is 0 or 1.

/F11 to /F0 are bit-inverted values (00000000011 when 111111111100).

- Remarks**
1. The correction value is 2, 4, 6, 8, ... 8184, 8186, 8188 or -2, -4, -6, -8, ... -8184, -8186, -8188.
 2. The oscillation frequency is the input clock (f_{RTC}).
It can be calculated from the output frequency of the RTC1HZ pin $\times 32768$ when the 16-bit watch error correction register (SUBCUDW) is set to its initial value (0000H).
 3. The target frequency is the frequency resulting after correction performed by using the 16-bit watch error correction register (SUBCUDW).

(2) Correction example

Example of correcting from 32767.4 Hz to 32768 Hz (32767.4 Hz + 18.3 ppm)

[Measuring the oscillation frequency]

The oscillation frequency ^{Note 1} of each product is measured by outputting about 1 Hz from the RTC1HZ pin when the watch error correction register (SUBCUD, SUBCUDW) is set to its initial value (0000H). The frequency can also be measured by selecting ^{Note 2} RTC1HZ for the input of timer array unit.

- Notes 1.** See **9.4.5 1 Hz output of real-time clock** for the setting procedure of outputting about 1 Hz from the RTC1HZ pin. For input selection of timer array unit, see **6.3.10 Timer input select register 1 (TIS1)** and **6.3.11 Timer input select register 2 (TIS2)**.
- 2.** The RTC1HZ signal is not output from the RTC1HZ pin when the RTC1HZ output signal is selected for the input to timer array unit by the setting of the timer input select register 1 or 2 (TIS1 or TIS2).

[Calculating the correction value]

(When the output frequency from the RTCCL pin is 0.9999817 Hz)

Oscillation frequency = $32768 \times 0.9999817 \approx 32767.4$ Hz

Assume the target frequency to be 32768 Hz (32767.4 Hz + 18.3 ppm) and DEV to be 1.

The expression for calculating the correction value when DEV is 1 is applied.

$$\begin{aligned} \text{Correction value} &= \text{Number of correction counts in 1 minute} \\ &= (\text{Oscillation frequency} \div \text{Target frequency} - 1) \times 32768 \times 60 \\ &= (32767.4 \div 32768 - 1) \times 32768 \times 60 \\ &= -36 \end{aligned}$$

[Calculating the values to be set to (F12 to F0)]

(When the correction value is -36)

If the correction value is 0 or less (when quickening), assume F12 to be 1.

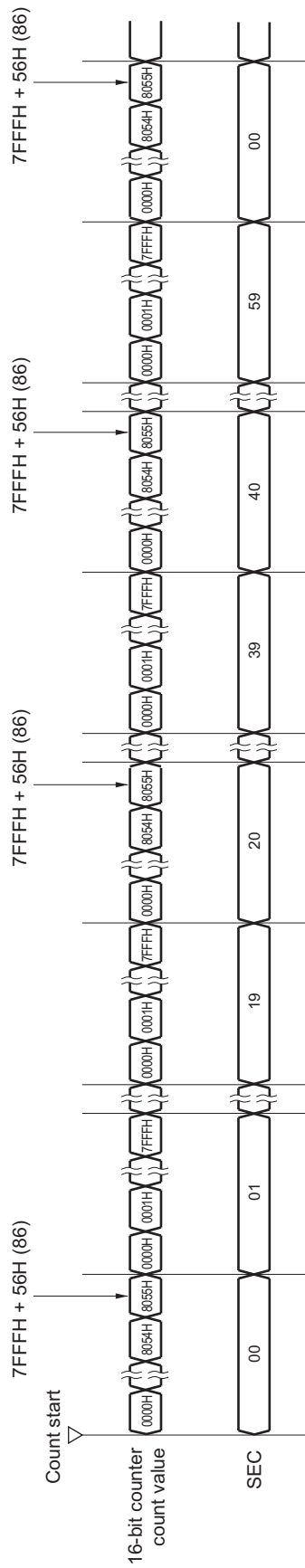
Calculate (F11, F10, F9, F8, F7, F6, F5, F4, F3, F2, F1, F0) from the correction value.

$$\begin{aligned} -\{ (/F11, /F10, /F9, /F8, /F7, /F6, /F5, /F4, /F3, /F2, /F1, /F0) - 1 \} \times 2 &= -36 \\ (/F11, /F10, /F9, /F8, /F7, /F6, /F5, /F4, /F3, /F2, /F1, /F0) &= 17 \\ (/F11, /F10, /F9, /F8, /F7, /F6, /F5, /F4, /F3, /F2, /F1, /F0) &= (0, 0, 0, 0, 0, 0, 0, 1, 0, 0, 0, 1) \\ (F11, F10, F9, F8, F7, F6, F5, F4, F3, F2, F1, F0) &= (1, 1, 1, 1, 1, 1, 1, 0, 1, 1, 1, 0) \end{aligned}$$

Consequently, when correcting from 32767.4 Hz to 32768 Hz (32767.4 Hz + 18.3 ppm), setting the correction register such that DEV is 1 and the correction value is -36 (bits 12 to 0 of the SUBCUDW register: 111111101110) results in 32768 Hz (0 ppm).

Figure 9-27 shows the operation when (DEV, F12, F11, F10, F9, F8, F7, F6, F5, F4, F3, F2, F1, F0) is (1, 1, 1, 1, 1, 1, 1, 1, 1, 0, 1, 1, 1, 0).

Figure 9-27. Operation when (DEV, F12, F11, F10, F9, F8, F7, F6, F5, F4, F3, F2, F1, F0) = (1, 1, 1, 1, 1, 1, 1, 1, 1, 1, 0, 1, 1, 1, 0, 1, 1, 1, 0)



CHAPTER 10 CLOCK OUTPUT/BUZZER OUTPUT CONTROLLER

RL78/F15 incorporates PCLBUZ0 output pin of clock/ buzzer output control circuit.

10.1 Functions of Clock Output/Buzzer Output Controller

The clock output controller is intended for carrier output during remote controlled transmission and clock output for supply to peripheral ICs.

Buzzer output is a function to output a square wave of buzzer frequency.

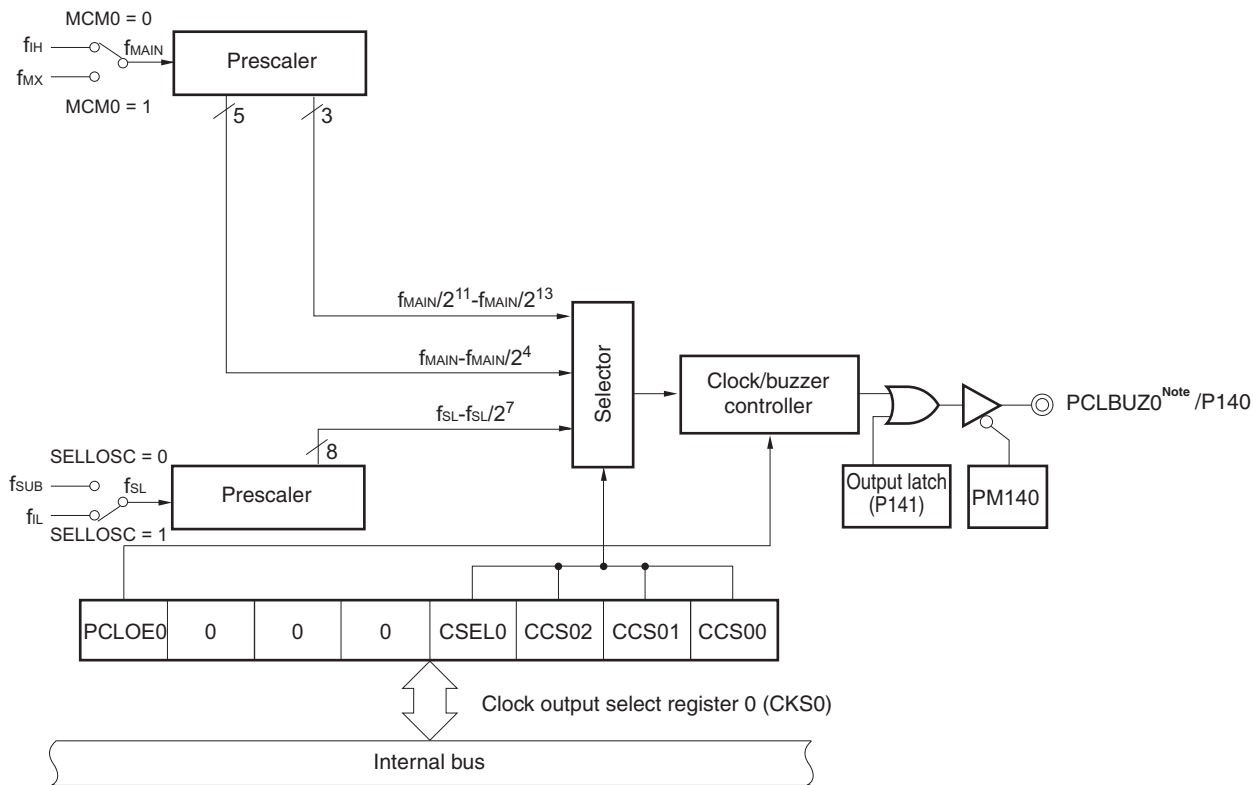
One pin can be used to output a clock or buzzer sound.

The PCLBUZ0 pin outputs a clock selected by clock output select register 0 (CKS0).

Figure 10-1 shows the block diagram of clock output/buzzer output controller.

Caution In the low-consumption RTC mode (when the RTCLPC bit of the operation speed mode control register (OSMC) = 1), it is not possible to output the sub/low-speed on-chip oscillator select clock (f_{SL}) from the PCLBUZ0 pin.

Figure 10-1. Block Diagram of Clock Output/Buzzer Output Controller



Note For output frequencies available from PCLBUZ0, refer to the AC characteristics in **CHAPTER 35** and **CHAPTER 36 ELECTRICAL SPECIFICATIONS**.

- Remark**
- MCM0: Bit in KKC register
 - SELLOSC: Bit in CKSEL register
 - P140: Bit in P14 register
 - PM140: Bit in PM14 register
 - f_{IH}: High-speed on-chip oscillator clock frequency
 - f_{MX}: High-speed system clock frequency
 - f_{MAIN}: Main system clock frequency
 - f_{SUB}: Subsystem clock frequency
 - f_{IL}: Low-speed on-chip oscillator clock frequency
 - f_{SL}: Subsystem/low-speed on-chip oscillator select clock frequency

10.2 Configuration of Clock Output/Buzzer Output Controller

The clock output/buzzer output controller includes the following hardware.

Table 10-1. Configuration of Clock Output/Buzzer Output Controller

Item	Configuration
Control registers	Clock output select registers 0 (CKS0) Port mode register 14 (PM14) Port register 14 (P14)

10.3 Registers Controlling Clock Output/Buzzer Output Controller

The following registers are used to control the clock output/buzzer output controller.

- Clock output select registers 0 (CKS0)
- Port mode register 14 (PM14)
- Port register 14 (P14)

10.3.1 Clock output select register 0 (CKS0)

These registers set output enable/disable for clock output or for the buzzer frequency output pin (PCLBUZ0), and set the output clock.

Select the clock to be output from the PCLBUZ0 pin by using the CKS0 register.

The CKS0 register are set by a 1-bit or 8-bit memory manipulation instruction.

Reset signal generation clears this register to 00H.

Figure 10-2. Format of Clock Output Select Register 0 (CKS0)

Address: FFFA5H After reset: 00H R/W

Symbol	<7>	6	5	4	3	2	1	0
CKS0	PCLOE0	0	0	0	CSEL0	CCS02	CCS01	CCS00

PCLOE0	PCLBUZ0 pin output enable/disable specification
0	Output disable (default)
1	Output enable

CSEL0	CCS02	CCS01	CCS00	PCLBUZ0 pin output clock selection						
				$f_{MAIN} = 5 \text{ MHz}$	$f_{MAIN} = 10 \text{ MHz}$	$f_{MAIN} = 20 \text{ MHz}$	$f_{MAIN} = 32 \text{ MHz}$	$f_{MAIN} = 48 \text{ MHz}$	$f_{MAIN} = 64 \text{ MHz}$	
0	0	0	0	f_{MAIN}	5 MHz	10 MHz Note	Setting prohibited Note	Setting prohibited Note	Setting prohibited Note	Setting prohibited Note
0	0	0	1	$f_{MAIN}/2$	2.5 MHz	5 MHz	10 MHz Note	16 MHz Note	Setting prohibited Note	Setting prohibited Note
0	0	1	0	$f_{MAIN}/2^2$	1.25 MHz	2.5 MHz	5 MHz	8 MHz	12 MHz Note	16 MHz Note
0	0	1	1	$f_{MAIN}/2^3$	625 kHz	1.25 MHz	2.5 MHz	4 MHz	6 MHz	8 MHz
0	1	0	0	$f_{MAIN}/2^4$	312.5 kHz	625 kHz	1.25 MHz	2 MHz	3 MHz	4 MHz
0	1	0	1	$f_{MAIN}/2^{11}$	2.44 kHz	4.88 kHz	9.76 kHz	15.62 kHz	23.43 kHz	31.25 kHz
0	1	1	0	$f_{MAIN}/2^{12}$	1.22 kHz	2.44 kHz	4.88 kHz	7.81 kHz	11.71 kHz	15.12 kHz
0	1	1	1	$f_{MAIN}/2^{13}$	610 Hz	1.22 kHz	2.44 kHz	3.90 kHz	5.85 kHz	7.81 kHz
1	0	0	0	f_{SL}	32.768 kHz (f_{SUB}) or 15 kHz (f_{IL})					
1	0	0	1	$f_{SL}/2$	16.384 kHz (f_{SUB}) or 7.5 kHz (f_{IL})					
1	0	1	0	$f_{SL}/2^2$	8.192 kHz (f_{SUB}) or 3.75 kHz (f_{IL})					
1	0	1	1	$f_{SL}/2^3$	4.096 kHz (f_{SUB}) or 1.87 kHz (f_{IL})					
1	1	0	0	$f_{SL}/2^4$	2.048 kHz (f_{SUB}) or 937.5 Hz (f_{IL})					
1	1	0	1	$f_{SL}/2^5$	1.024 kHz (f_{SUB}) or 468.75 Hz (f_{IL})					
1	1	1	0	$f_{SL}/2^6$	512 Hz (f_{SUB}) or 234.37 Hz (f_{IL})					
1	1	1	1	$f_{SL}/2^7$	256 Hz (f_{SUB}) or 117.18 Hz (f_{IL})					

Note Use the output clock within a range of 16 MHz. See the AC characteristics in **CHAPTER 35** and **CHAPTER 36 ELECTRICAL SPECIFICATIONS** for details.

- Cautions**
1. Change the output clock and the CSEL0 and CCS02 to CCS00 bits after disabling clock output (PCLOE0 = 0).
 2. To shift to STOP mode when the f_{MAIN} is selected (CSEL0 = 0) for clock source, set PCLOE0 = 0 before executing the STOP instruction. When the f_{SL} is selected (CSEL0 = 1), PCLOE0 = 1 can be set because the clock can be output in STOP mode.
 3. In the low-consumption RTC mode (when the RTCLPC bit of the operation speed mode control register (OSMC) = 1), it is not possible to output the subsystem/low-speed on-chip oscillator select clock (f_{SL}) from the PCLBUZ0 pin.

4. The high-speed on-chip oscillator clock (f_{IH}) and the high-speed system clock (f_{MX}) can be selected as the main system clock (f_{MAIN}) by the setting of the MCM0 bit (bit 4 of the system clock control register (CKC)). For details, refer to CHAPTER 5 CLOCK GENERATOR.
5. The subsystem clock (f_{SUB}) and the low-speed on-chip oscillator clock (f_{IL}) can be selected as the sub/low-speed on-chip oscillator select clock by the setting of the SELLOSC bit (bit 0 of the clock select register (CKSEL)). For details, refer to CHAPTER 5 CLOCK GENERATOR.

10.3.2 Clock Select Register (CKSEL)

This register is used to select the CPU clock (f_{SUB}/f_{IL}) the clocks for the timer RJ, timer RD, and clock output/buzzer output. Together with the CMC register, the SELLOSC bit is used to set the operation mode of the subsystem clock. For details, see **Figure 5-3 Format of Clock Operation Mode Control Register (CMC)**.

Set the CKSEL register by a 1-bit or 8-bit memory manipulation instruction.

Writing to the CKSEL register is disabled when the GCSC bit of the IAWCTL register is set to 1.

Figure 10-3. Format of Clock Select Register (CKSEL)

Address: F02C4H After reset: 00H R/W

Symbol	7	6	5	4	3	$\langle 2 \rangle$	1	$\langle 0 \rangle$
CKSEL	0	0	0	0	0	TRD_CKS EL	0	SELLOSC <small>Note 3</small>

<small>Note 3</small> SELLOSC	Control of sub/low-speed on-chip oscillator selection clock (f_{SL}) selection
0	Selects f_{SUB} <small>Note 1</small>
1	Selects f_{IL} <small>Note 2</small>

- Notes**
1. When setting f_{SUB} as the CPU/peripheral hardware clock, first set the SELLOSC bit to 0 and then set the CSS bit in the CKC register to 1.
 2. When setting f_{IL} as the CPU/peripheral hardware clock, first set the SELLOSC bit to 1 and then set the CSS bit in the CKC register to 1.
 3. When the SELLOSC bit is set to 1, the low-speed on-chip oscillator operates.

10.3.3 Port mode register 14 (PM14)

These registers set input/output of port in 1-bit units.

When using the P140/PCLBUZ0 pins for clock output and buzzer output, clear PM140 bit and the output latch of P140 to 0.

The PM14 register can be set by a 1-bit or 8-bit memory manipulation instruction.

Reset signal generation sets these registers to FFH.

Figure 10-4. Format of Port Mode Register 14 (PM14)

Address: FFF2EH After reset: FFH R/W

Symbol	7	6	5	4	3	2	1	0
PM14	1	1	1	1	1	1	1	PM140

PMmn	Pmn pin I/O mode selection (mn = 140)
0	Output mode (output buffer on)
1	Input mode (output buffer off)

10.4 Operations of Clock Output/Buzzer Output Controller

One pin can be used to output a clock or buzzer sound.

The PCLBUZ0 pin outputs a clock/buzzer selected by the clock output select register 0 (CKS0).

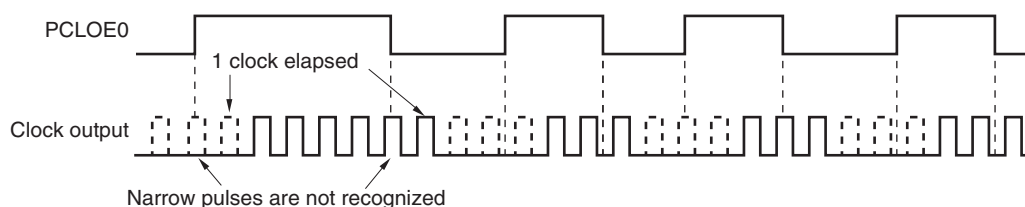
10.4.1 Operation as output pin

The PCLBUZ0 pin is output as the following procedures.

- <1> Clear the output latches of PM140 and P140 to 0.
- <2> Select the output clock with bits 0 to 3 (CCS00 to CCS02, CSEL0) of the clock output select register 0 (CKS0) of the PCLBUZ0 pin (output in disabled status).
- <3> Set bit 7 (PCLOE0) of the CKS0 register to 1 to enable clock/buzzer output.

Remark The controller used for outputting the clock starts or stops outputting the clock one clock after enabling or disabling clock output (PCLOE0 bit) is switched. At this time, pulses with a narrow width are not output. Figure 10-5 shows enabling or stopping output using the PCLOE0 bit and the timing of outputting the clock.

Figure 10-5. Remote Control Output Application Example



10.5 Notes on Clock Output/Buzzer Output Controller

When the CPU enters STOP mode within 1.5 clock cycles of main system clock after the setting to disable output is made (PCLOE0 = 0) while the main system clock is selected for PCLBUZ0 output (CSEL0 = 0), the pulse width of the PCLBUZ0 output is narrowed.

CHAPTER 11 WATCHDOG TIMER

11.1 Functions of Watchdog Timer

The watchdog timer operates on the WDT-dedicated low-speed on-chip oscillator clock (f_{WDT}).

The watchdog timer is used to detect an inadvertent program loop. If a program loop is detected, an internal reset signal is generated.

Program loop is detected in the following cases.

- If the watchdog timer counter overflows
- If a 1-bit manipulation instruction is executed on the watchdog timer enable register (WDTE)
- If data other than "ACH" is written to the WDTE register
- If data is written to the WDTE register during a window close period

When a reset occurs due to the watchdog timer, bit 4 (WDCLRF) of the reset control flag register (RESF) is set to 1. For details of the RESF register, see **CHAPTER 25 RESET FUNCTION**.

When 75% of the overflow time + $1/2 f_{WDT}$ is reached, an interval interrupt can be generated.

11.2 Configuration of Watchdog Timer

The watchdog timer includes the following hardware.

Table 11-1. Configuration of Watchdog Timer

Item	Configuration
Counter	Internal counter (17 bits)
Control register	Watchdog timer enable register (WDTE)

How the internal counter (17 bits) operation is controlled, overflow time, window open period, and interval interrupt are set by the option byte.

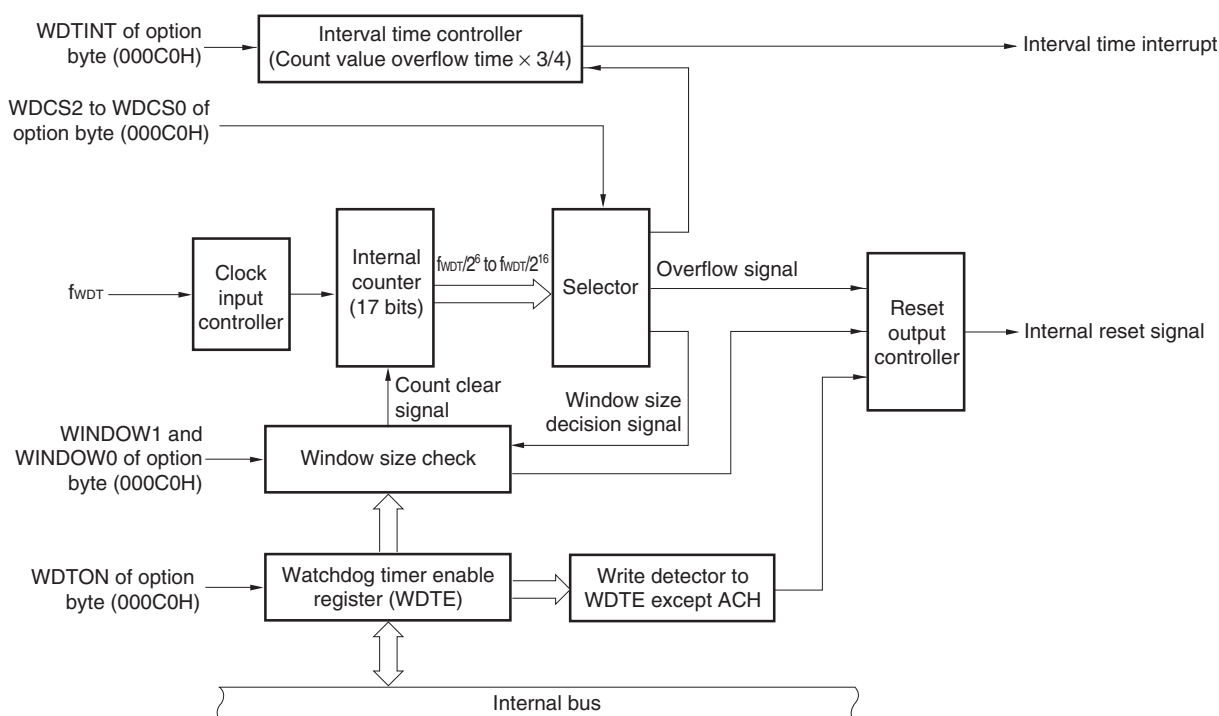
Caution Set the same value as 000C0H to 020C0H when the boot swap operation is used because 000C0H is replaced by 020C0H.

Table 11-2. Setting of Option Bytes and Watchdog Timer

Setting of Watchdog Timer	Option Byte (000C0H)
Watchdog timer interval interrupt	Bit 7 (WDTINT)
Window open period	Bits 6 and 5 (WINDOW1, WINDOW0)
Controlling counter operation of watchdog timer	Bit 4 (WDTON)
Overflow time of watchdog timer	Bits 3 to 1 (WDCS2 to WDCS0)
Controlling counter operation of watchdog timer (in HALT/STOP/SNOOZE mode)	Bit 0 (WDSTBYON)

Remark For the option byte, see CHAPTER 30 OPTION BYTE.

Figure 11-1. Block Diagram of Watchdog Timer



11.3 Register Controlling Watchdog Timer

The watchdog timer is controlled by the watchdog timer enable register (WDTE).

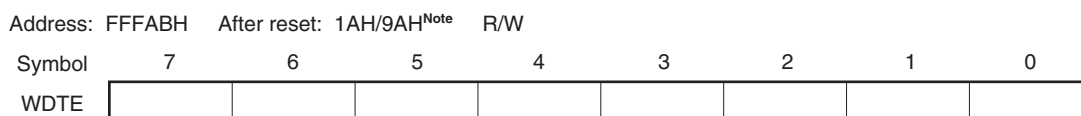
11.3.1 Watchdog timer enable register (WDTE)

When the WDTON bit in the option byte (000C0H) is 1, writing ACH to the WDTE register clears the watchdog timer counter and starts counting again.

This register can be set by an 8-bit memory manipulation instruction.

Reset signal generation sets this register to 1AH or 9AH^{Note}.

Figure 11-2. Format of Watchdog Timer Enable Register (WDTE)



Note The WDTE register reset value differs depending on the WDTON bit setting value of the option byte (000C0H). To operate watchdog timer, set the WDTON bit to 1.

WDTON Bit Setting Value	WDTE Register Reset Value
0 (watchdog timer count operation disabled)	1AH
1 (watchdog timer count operation enabled)	9AH

- Cautions**
1. When the WDTON bit in the option byte (000C0H) is 1, if a value other than “ACH” is written to the WDTE register, an internal reset signal is generated.
 2. When the WDTON bit in the option byte (000C0H) is 1, if a 1-bit memory manipulation instruction is executed for the WDTE register, an internal reset signal is generated.
 3. The value read from the WDTE register is 1AH/9AH (this differs from the written value (ACH) as specified in the WDTON bit of the option byte (000C0H)).

11.4 Operation of Watchdog Timer

11.4.1 Controlling operation of watchdog timer

- When the watchdog timer is used, its operation is specified by the option byte (000C0H).
 - Enable counting operation of the watchdog timer by setting bit 4 (WDTON) of the option byte (000C0H) to 1 (the counter starts operating after a reset release) (for details, see **CHAPTER 30 OPTION BYTE**).

WDTON	Watchdog Timer Counter
0	Counter operation disabled (counting stopped after reset)
1	Counter operation enabled (counting started after reset)

- Set an overflow time by using bits 3 to 1 (WDCS2 to WDCS0) of the option byte (000C0H) (for details, see **11.4.2 Setting overflow time of watchdog timer** and **CHAPTER 30 OPTION BYTE**).
 - Set a window open period by using bits 6 and 5 (WINDOW1 and WINDOW0) of the option byte (000C0H) (for details, see **11.4.3 Setting window open period of watchdog timer** and **CHAPTER 30 OPTION BYTE**).
- After a reset release, the watchdog timer starts counting.
 - By writing “ACH” to the watchdog timer enable register (WDTE) after the watchdog timer starts counting and before the overflow time set by the option byte, the watchdog timer counter is cleared and starts counting again.
 - After that, write the WDTE register the second time or later after a reset release during the window open period. If the WDTE register is written during a window close period, an internal reset signal is generated.
 - If the overflow time expires without “ACH” written to the WDTE register, an internal reset signal is generated. An internal reset signal is generated in the following cases.
 - If a 1-bit manipulation instruction is executed on the WDTE register
 - If data other than “ACH” is written to the WDTE register

- Cautions**
- When data is written to the watchdog timer enable register (WDTE) for the first time after reset release, the watchdog timer counter is cleared in any timing regardless of the window open time, as long as the register is written before the overflow time, and the watchdog timer counter starts counting again.
 - If the watchdog timer counter is cleared by writing “ACH” to the WDTE register, the actual overflow time may be different from the overflow time set by the option byte by up to 2/f_{clk} seconds.
 - The watchdog timer counter can be cleared immediately before the count value overflows.

4. The operation of the watchdog timer in the HALT, STOP, and SNOOZE modes differs as follows depending on the set value of bit 0 (WDSTBYON) and bit 4 (WDTON) of the option byte (000C0H).

	WDTON = 1 and WDSTBYON = 0	WDTON = 1 and WDSTBYON = 1
In HALT mode	Watchdog timer operation stops.	Watchdog timer operation continues.
In STOP mode		
In SNOOZE mode		

If WDSTBYON = 0, the watchdog timer resumes counting after the HALT, STOP, or SNOOZE modes is released. At this time, the counter is cleared to 0 and counting starts.

When operating with the X1 oscillation clock after releasing the STOP mode, the CPU starts operating after the oscillation stabilization time has elapsed.

Therefore, if the period between the STOP mode release and the watchdog timer overflow is short, an overflow occurs during the oscillation stabilization time, causing a reset.

Consequently, set the overflow time in consideration of the oscillation stabilization time when operating with the X1 oscillation clock and when the watchdog timer counter is to be cleared after the STOP mode release by an interval interrupt.

11.4.2 Setting overflow time of watchdog timer

Set the overflow time of the watchdog timer by using bits 3 to 1 (WDCS2 to WDCS0) of the option byte (000C0H).

If an overflow occurs, an internal reset signal is generated. The present count is cleared and the watchdog timer starts counting again by writing “ACH” to the watchdog timer enable register (WDTE) during the window open period before the overflow time.

The following overflow times can be set.

Table 11-3. Setting of Overflow Time of Watchdog Timer

WDCS2	WDCS1	WDCS0	Overflow Time of Watchdog Timer (f _{WDT} = 17.25 kHz (MAX.))
0	0	0	2 ⁶ /f _{WDT} (3.71 ms)
0	0	1	2 ⁷ /f _{WDT} (7.42 ms)
0	1	0	2 ⁸ /f _{WDT} (14.84 ms)
0	1	1	2 ⁹ /f _{WDT} (29.68 ms)
1	0	0	2 ¹¹ /f _{WDT} (118.72 ms)
1	0	1	2 ¹³ /f _{WDT} ^{Note} (474.89 ms)
1	1	0	2 ¹⁴ /f _{WDT} ^{Note} (949.79 ms)
1	1	1	2 ¹⁶ /f _{WDT} ^{Note} (3799.18 ms)

Note When the interval interrupt of watchdog timer is used, do not set the overflow time to 2¹³/f_{WDT}, 2¹⁴/f_{WDT} or 2¹⁶/f_{WDT}.

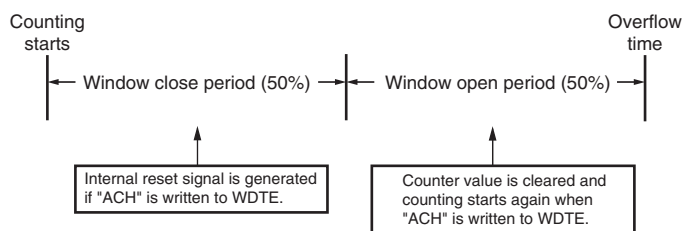
Remark f_{WDT}: WDT-dedicated low-speed on-chip oscillator clock frequency

11.4.3 Setting window open period of watchdog timer

Set the window open period of the watchdog timer by using bits 6 and 5 (WINDOW1, WINDOW0) of the option byte (000C0H). The outline of the window is as follows.

- If "ACH" is written to the watchdog timer enable register (WDTE) during the window open period, the watchdog timer counter is cleared and starts counting again.
- Even if "ACH" is written to the WDTE register during the window close period, an abnormality is detected and an internal reset signal is generated.

Example: If the window open period is 50%



Caution When data is written to the WDTE register for the first time after reset release, the watchdog timer counter is cleared in any timing regardless of the window open time, as long as the register is written before the overflow time, and the watchdog timer counter starts counting again.

The window open period can be set is as follows.

Table 11-4. Setting Window Open Period of Watchdog Timer

WINDOW1	WINDOW0	Window Open Period of Watchdog Timer
0	0	Setting prohibited
0	1	50%
1	0	75%
1	1	100%

Caution When bit 0 (WDSTBYON) of the option byte (000C0H) = 0, the window open period is 100% regardless of the values of the WINDOW1 and WINDOW0 bits.

Remark If the overflow time is set to $2^9/f_{WDT}$, the window close time and open time are as follows.

	Setting of Window Open Period		
	50%	75%	100%
Window close time	0 to 20.08 ms	0 to 10.04 ms	None
Window open time	20.08 to 29.68 ms	10.04 to 29.68 ms	0 to 29.68 ms

<When window open period is 50%>

- Overflow time:
 $2^9/f_{WDT} \text{ (MAX.)} = 2^9/17.25 \text{ kHz (MAX.)} = 29.68 \text{ ms}$
- Window close time:
 $0 \text{ to } 2^9/f_{WDT} \text{ (MIN.)} \times (1 - 0.5) = 0 \text{ to } 2^9/12.75 \text{ kHz} \times 0.5 = 0 \text{ to } 20.08 \text{ ms}$
- Window open time:
 $2^9/f_{WDT} \text{ (MIN.)} \times (1 - 0.5) \text{ to } 2^9/f_{WDT} \text{ (MAX.)} = 2^9/12.75 \text{ kHz} \times 0.5 \text{ to } 2^9/17.25 \text{ kHz}$
 $= 20.08 \text{ to } 29.68 \text{ ms}$

11.4.4 Setting watchdog timer interval interrupt

Setting bit 7 (WDTINT) of an option byte (000C0H) can generate an interval interrupt (INTWDTI) when 75% of the overflow time is reached.

Table 11-5. Setting of Watchdog Timer Interval Interrupt

WDTINT	Use of Watchdog Timer Interval Interrupt
0	Interval interrupt is not used.
1	Interval interrupt is generated when 75% of overflow time + 1/2 f_{WDT} is reached.

Caution When operating with the X1 oscillation clock after releasing the STOP mode, the CPU starts operating after the oscillation stabilization time has elapsed. Therefore, if the period between the STOP mode release and the watchdog timer overflow is short, an overflow occurs during the oscillation stabilization time, causing a reset. Consequently, set the overflow time in consideration of the oscillation stabilization time when operating with the X1 oscillation clock and when the watchdog timer is to be cleared after the STOP mode release by an interval interrupt.

Remark The watchdog timer continues counting even after INTWDTI is generated (until ACH is written to the watchdog timer enable register (WDTE)). If ACH is not written to the WDTE register before the overflow time, an internal reset signal is generated.

CHAPTER 12 A/D CONVERTER

The number of analog input channels of the A/D converter differs, depending on the product.

Pin Count	144,100 Pins	80 Pins	64 Pins	48 Pins
Analog input channel	31 ch ANI0 to ANI23, ANI24 to ANI30	25 ch ANI0 to ANI17, ANI24 to ANI30	20 ch ANI0 to ANI16, ANI24 to ANI26	18 ch ANI0 to ANI12, ANI24 to ANI28

12.1 Function of A/D Converter

The A/D converter is a 10-bit resolution^{Note} converter that converts analog input signals into digital values, and is configured to control analog inputs, including up to 31 channels of A/D converter analog inputs (ANI0 to ANI23 and ANI24 to ANI30).

The A/D converter has the following function.

- **10-bit resolution A/D conversion^{Note}**

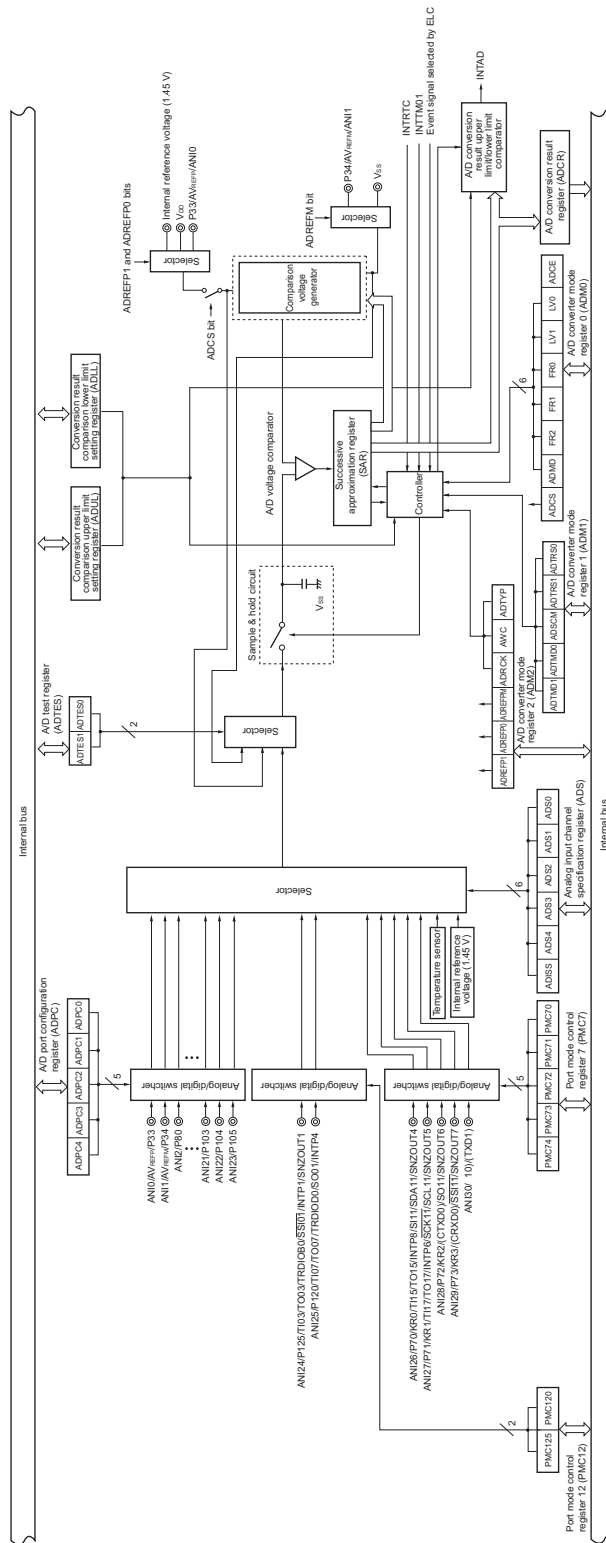
10-bit resolution A/D conversion is carried out repeatedly for one analog input channel selected from ANI0 to ANI23 and ANI24 to ANI30. Each time an A/D conversion operation ends, an interrupt request (INTAD) is generated (when in the select mode).

Note 8-bit resolution can also be selected by using the ADTYP bit of A/D converter mode register 2 (ADM2).

Various A/D conversion modes can be specified by using the mode combinations below.

Trigger Mode	Channel Selection Mode	Conversion Operation Mode
<ul style="list-style-type: none"> • Software trigger Conversion is started by specifying a software trigger. • Hardware trigger no-wait mode Conversion is started by detecting a hardware trigger. • Hardware trigger wait mode The power is turned on by detecting a hardware trigger while the system is off and in the conversion standby state, and conversion is then started automatically after the stabilization wait time passes. 	<ul style="list-style-type: none"> • Select mode A/D conversion is performed on the analog input of one channel. • Scan mode A/D conversion is performed on the analog input of four channels in order. 	<ul style="list-style-type: none"> • One-shot conversion mode A/D conversion is performed on the selected channel once. • Sequential conversion mode A/D conversion is sequentially performed on the selected channels until it is stopped by software.

Figure 12-1. Block Diagram of A/D Converter



Remark Analog input pin for figure 12-1 when a 144-pin product is used.

12.2 Configuration of A/D Converter

The A/D converter includes the following hardware.

(1) ANI0 to ANI23 (V_{DD}) and ANI24 to ANI30 (EV_{DD}) pins

These are the analog input pins of the twenty channels of the A/D converter. They input analog signals to be converted into digital signals. Pins other than the one selected as the analog input pin can be used as I/O port pins.

Caution If the supply setting other than AV_{REFP} , AV_{REFM} is used as the reference voltage of the A/D converter, the conversion accuracy decreases. In addition, since the EV_{DD} system analog pins have lower accuracy than the V_{DD} system analog pins, the V_{DD} analog pins should be used for highly accurate conversion.

(2) Sample & hold circuit

The sample & hold circuit samples each of the analog input voltages sequentially sent from the input circuit, and sends them to the A/D voltage comparator. This circuit also holds the sampled analog input voltage during A/D conversion.

(3) A/D voltage comparator

This A/D voltage comparator compares the voltage generated from the voltage tap of the comparison voltage generator with the analog input voltage. If the analog input voltage is found to be greater than the reference voltage ($1/2 AV_{REF}$) as a result of the comparison, the most significant bit (MSB) of the successive approximation register (SAR) is set. If the analog input voltage is less than the reference voltage ($1/2 AV_{REF}$), the MSB bit of the SAR is reset.

After that, bit 8 of the SAR register is automatically set, and the next comparison is made. The voltage tap of the comparison voltage generator is selected by the value of bit 9, to which the result has been already set.

Bit 9 = 0: ($1/4 AV_{REF}$)

Bit 9 = 1: ($3/4 AV_{REF}$)

The voltage tap of the comparison voltage generator and the analog input voltage are compared and bit 8 of the SAR register is manipulated according to the result of the comparison.

Analog input voltage \geq Voltage tap of comparison voltage generator: Bit 8 = 1

Analog input voltage \leq Voltage tap of comparison voltage generator: Bit 8 = 0

Comparison is continued like this to bit 0 of the SAR register.

When performing A/D conversion at a resolution of 8 bits, the comparison continues until bit 2 of the SAR register.

Remark AV_{REF} : The + side reference voltage of the A/D converter. This can be selected from AV_{REFP} , the internal reference voltage (1.45 V), and V_{DD} .

(4) Comparison voltage generator

The comparison voltage generator generates the comparison voltage input from an analog input pin.

(5) Successive approximation register (SAR)

The SAR register is a register that sets voltage tap data whose values from the comparison voltage generator match the voltage values of the analog input pins, 1 bit at a time starting from the most significant bit (MSB).

If data is set in the SAR register all the way to the least significant bit (LSB) (end of A/D conversion), the contents of the SAR register (conversion results) are held in the A/D conversion result register (ADCR). When all the specified A/D conversion operations have ended, an A/D conversion end interrupt request signal (INTAD) is generated.

(6) 10-bit A/D conversion result register (ADCR)

The A/D conversion result is loaded from the successive approximation register to this register each time A/D conversion is completed, and the ADCR register holds the A/D conversion result in its higher 10 bits (the lower 6 bits are fixed to 0).

(7) 8-bit A/D conversion result register (ADCRH)

The A/D conversion result is loaded from the successive approximation register to this register each time A/D conversion is completed, and the ADCRH register stores the higher 8 bits of the A/D conversion result.

(8) Controller

This circuit controls the conversion time of an input analog signal that is to be converted into a digital signal, as well as starting and stopping of the conversion operation. When A/D conversion has been completed, this controller generates INTAD.

(9) AV_{REFP} pin

This pin inputs an external reference voltage (AV_{REFP}).

If using AV_{REFP} as the + side reference voltage of the A/D converter, set the ADREFP1 bit of A/D converter mode register 2 (ADM2) to 0 and the ADREFP0 bit to 1.

The analog signals input to ANI0 to ANI23 and ANI24 to ANI30 are converted to digital signals based on the voltage applied between AV_{REFP} and the – side reference voltage (AV_{REFM}/V_{SS}).

In addition to AV_{REFP}, it is possible to select V_{DD} or the internal reference voltage (1.45 V) as the + side reference voltage of the A/D converter.

(10) AV_{REFM} pin

This pin inputs an external reference voltage (AV_{REFM}). If using AV_{REFM} as the – side reference voltage of the A/D converter, set the ADREFM bit of the ADM2 register to 1.

In addition to AV_{REFM}, it is possible to select V_{SS} as the – side reference voltage of the A/D converter.

12.3 Registers Used in A/D Converter

The A/D converter uses the following registers.

- Peripheral enable register 0 (PER0)
- A/D converter mode register 0 (ADM0)
- A/D converter mode register 1 (ADM1)
- A/D converter mode register 2 (ADM2)
- 10-bit A/D conversion result register (ADCR)
- 8-bit A/D conversion result register (ADCRH)
- Analog input channel specification register (ADS)
- Conversion result comparison upper limit setting register (ADUL)
- Conversion result comparison lower limit setting register (ADLL)
- A/D test register (ADTES)
- A/D port configuration register (ADPC)
- Port mode control registers 7 and 12 (PMC7, PMC12)
- Port mode registers 3, 7 to 10, 12 (PM3, PM7 to PM10, PM12)

12.3.1 Peripheral enable register 0 (PER0)

This register is used to enable or disable supplying the clock to the peripheral hardware. Clock supply to a hardware macro that is not used is stopped in order to reduce the power consumption and noise.

When the A/D converter is used, be sure to set bit 5 (ADCEN) of this register to 1.

The PER0 register can be set by a 1-bit or 8-bit memory manipulation instruction.

Reset signal generation clears this register to 00H.

Figure 12-2. Format of Peripheral Enable Register 0 (PER0)

Address: F00F0H After reset: 00H R/W

Symbol	<7>	6	<5>	<4>	<3>	<2>	<1>	<0>
PER0	RTCEN	0	ADCEN	IICA0EN	SAU1EN	SAU0EN	TAU1EN	TAU0EN

ADCEN	Control of A/D converter input clock supply
0	Stops input clock supply. <ul style="list-style-type: none"> • SFR used by the A/D converter cannot be written. • The A/D converter is in the reset status.
1	Enables input clock supply. <ul style="list-style-type: none"> • SFR used by the A/D converter can be read/written.

- Cautions**
1. When setting the A/D converter, be sure to set the ADCEN bit to 1 first. If ADCEN = 0, writing to a control register of the A/D converter is ignored, and, even if the register is read, only the default value is read (except for port mode registers 3, 7 to 10, 12 (PM3, PM7 to PM10, PM12), port mode control registers 7 and 12 (PMC7, PMC12), and A/D port configuration register (ADPC)).
 2. Be sure to clear bit 6 to 0.

12.3.2 A/D converter mode register 0 (ADM0)

This register sets the conversion time for analog input to be A/D converted, and starts/stops conversion. The ADM0 register can be set by a 1-bit or 8-bit memory manipulation instruction. Reset signal generation clears this register to 00H.

Figure 12-3. Format of A/D Converter Mode Register 0 (ADM0)

Address: FFF30H After reset: 00H R/W

Symbol	<7>	6	5	4	3	2	1	<0>
ADM0	ADCS	ADMD	FR2 ^{Note 1}	FR1 ^{Note 1}	FR0 ^{Note 1}	LV1 ^{Note 1}	LV0 ^{Note 1}	ADCE

ADCS	A/D conversion operation control ^{Note 4}
0	Stops conversion operation [When read] Conversion stopped/standby status
1 ^{Note 3}	Enables conversion operation [When read ^{Note 2}] While in the software trigger mode: Conversion operation status While in the hardware trigger wait mode: Stabilization wait status + conversion operation status

ADMD	Specification of the A/D conversion channel selection mode
0	Select mode
1	Scan mode

ADCE	A/D voltage comparator operation control ^{Note 2}
0 ^{Note 3}	Stops A/D voltage comparator operation
1	Enables A/D voltage comparator operation

- Notes**
1. For details of the FR2 to FR0, LV1, LV0 bits, and A/D conversion, see **Table 12-3 A/D Conversion Time Selection**.
 2. While in the software trigger mode or hardware trigger no-wait mode, the operation of the A/D voltage comparator is controlled by the ADCS and ADCE bits, and it takes 1 μs from the start of operation for the operation to stabilize. Therefore, when the ADCS bit is set to 1 after 1 μs or more has elapsed from the time ADCE bit is set to 1, the conversion result at that time has priority over the first conversion result. Otherwise, ignore data of the first conversion.
 3. The ADCS bit is not set when 1 is written to it and 0 is written to the ADCE bit. The ADCS bit is read as 0.
 4. The ADCS bit cannot be used as the flag of conversion operation status in the hardware trigger no-wait mode.

- Cautions**
1. Change the ADMD, FR2 to FR0, LV1, LV0, and ADCE bits in the conversion stopped/standby status (ADCS = 0).
 2. Do not change the ADCS and ADCE bits from 0 to 1 by using an 8-bit manipulation instruction. Be sure to set these bits in the order described in 12.7 A/D Converter Setup Flowchart.

Table 12-1. Settings of ADCS and ADCE Bits

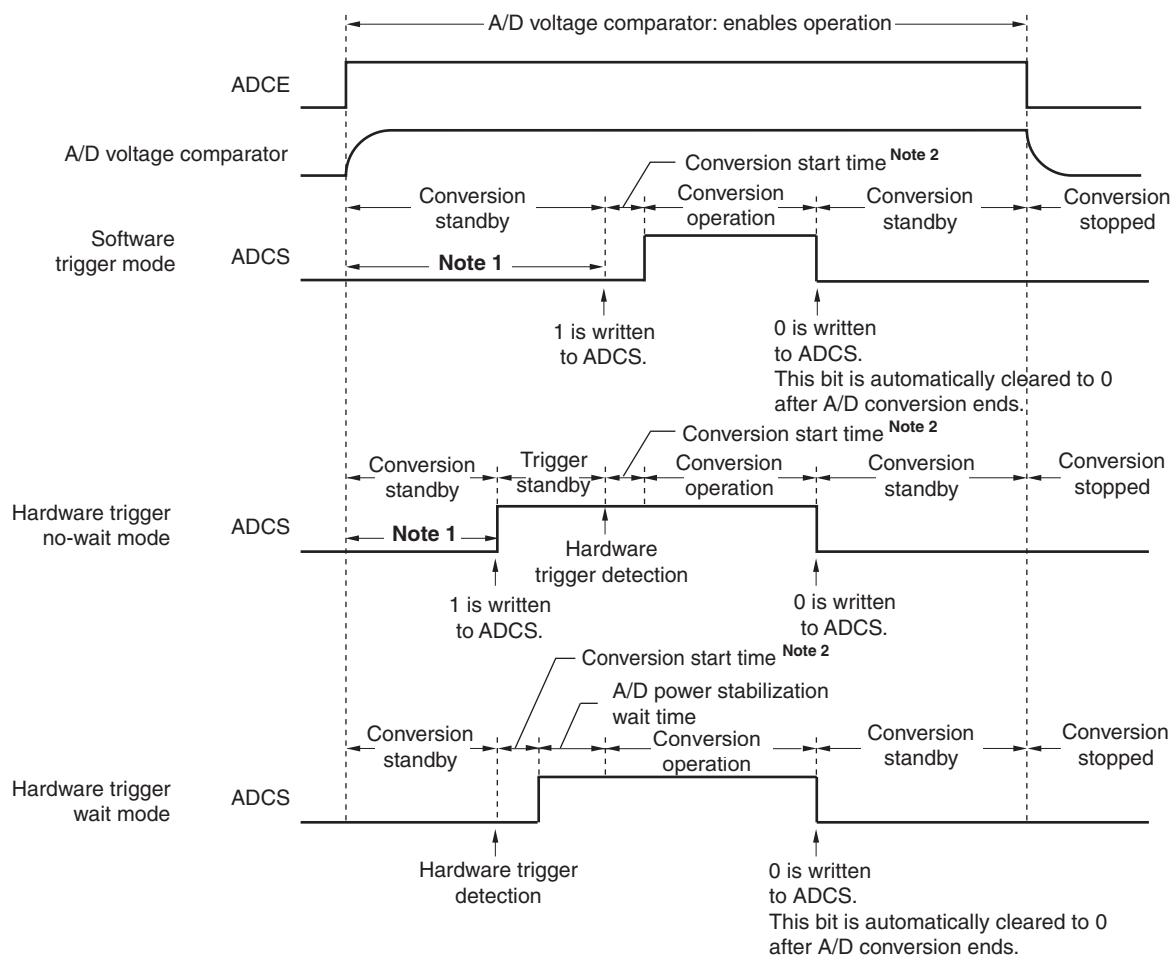
ADCS	ADCE	A/D Conversion Operation
0	0	Stop status (DC power consumption path does not exist)
0	1	Conversion standby mode (only A/D voltage comparator consumes power ^{Note})
1	0	Setting prohibited
1	1	Conversion mode (A/D voltage comparator: enables operation)

Note In hardware trigger wait mode, there is no DC power consumption path even during conversion standby mode.

Table 12-2. Setting and Clearing Conditions for ADCS Bit

A/D Conversion Mode			Set Conditions	Clear Conditions
Software trigger	Select mode	Sequential conversion mode	When 1 is written to ADCS	When 0 is written to ADCS
		One-shot conversion mode		<ul style="list-style-type: none"> When 0 is written to ADCS The bit is automatically cleared to 0 when A/D conversion ends.
	Scan mode	Sequential conversion mode		When 0 is written to ADCS
		One-shot conversion mode		<ul style="list-style-type: none"> When 0 is written to ADCS The bit is automatically cleared to 0 when conversion ends on the specified four channels.
Hardware trigger no-wait mode	Select mode	Sequential conversion mode	When a hardware trigger is input	When 0 is written to ADCS
		One-shot conversion mode		When 0 is written to ADCS
	Scan mode	Sequential conversion mode		When 0 is written to ADCS
		One-shot conversion mode		When 0 is written to ADCS
Hardware trigger wait mode	Select mode	Sequential conversion mode	When a hardware trigger is input	When 0 is written to ADCS
		One-shot conversion mode		<ul style="list-style-type: none"> When 0 is written to ADCS The bit is automatically cleared to 0 when A/D conversion ends.
	Scan mode	Sequential conversion mode		When 0 is written to ADCS
		One-shot conversion mode		<ul style="list-style-type: none"> When 0 is written to ADCS The bit is automatically cleared to 0 when conversion ends on the specified four channels.

Figure 12-4. Timing Chart When A/D Voltage Comparator Is Used



- Notes 1.** While in the software trigger mode or hardware trigger no-wait mode, the time from the rising of the ADCE bit to the falling of the ADCS bit must be 1 μs or longer to stabilize the internal circuit.
- 2.** The following time is the maximum amount of time necessary to start conversion.

ADM0			Conversion Clock (f _{AD})	Conversion Start Time (Number of f _{CLK} Clocks)	
FR2	FR1	FR0		Software trigger mode/ Hardware trigger no wait mode	Hardware trigger wait mode
0	0	0	f _{CLK} /64	63	1
0	0	1	f _{CLK} /32	31	
0	1	0	f _{CLK} /16	15	
0	1	1	f _{CLK} /8	7	
1	0	0	f _{CLK} /6	5	
1	0	1	f _{CLK} /5	4	
1	1	0	f _{CLK} /4	3	
1	1	1	f _{CLK} /2	1	

However, for the second and subsequent conversion in sequential conversion mode and for conversion of the channel specified by scan 1, 2, and 3 in scan mode, the conversion start time and stabilization wait time for A/D power supply do not occur after a hardware trigger is detected.

Remark f_{CLK}: CPU/peripheral hardware clock frequency

- Cautions**
1. If using the hardware trigger wait mode, setting the ADCS bit to 1 is prohibited (but the bit is automatically switched to 1 when the hardware trigger signal is detected). However, it is possible to clear the ADCS bit to 0 to specify the A/D conversion standby status.
 2. While in the one-shot conversion mode of the hardware trigger no-wait mode, the ADCS flag is not automatically cleared to 0 when A/D conversion ends. Instead, 1 is retained.
 3. Only rewrite the value of the ADCE bit when ADCS = 0 (while in the conversion stopped/conversion standby status).
 4. To complete A/D conversion, specify at least the following time as the hardware trigger interval:
Hardware trigger no wait mode: $2 f_{CLK}$ clocks + A/D conversion time
Hardware trigger wait mode: $2 f_{CLK}$ clocks + stabilization wait time + A/D conversion time

Table 12-3. A/D Conversion Time Selection (1/4)

(1) 4.0 V ≤ V_{DD} ≤ 5.5 V

When there is stabilization wait time (hardware trigger wait mode)

A/D Converter Mode Register 0 (ADMO)					Mode	Conversion Clock (f _{AD})	Number of A/D Power Supply Stabilization Wait Clocks	Number of conversion clocks	A/D Power Supply Stabilization Wait Time + Conversion Time	Conversion Time Selection									
FR2	FR1	FR0	LV1	LV0						f _{CLK} = 1 MHz	f _{CLK} = 2 MHz	f _{CLK} = 4 MHz	f _{CLK} = 8 MHz	f _{CLK} = 16 MHz	f _{CLK} = 32 MHz				
0	0	0	0	0	Normal 1	f _{CLK} /64	8 f _{AD}	19 f _{AD} (number of sampling clocks: 7 f _{AD})	1728/f _{CLK} 864/f _{CLK} 432/f _{CLK} 216/f _{CLK} 162/f _{CLK} 135/f _{CLK} 108/f _{CLK} 54/f _{CLK}	Setting prohibited	Setting prohibited	Setting prohibited	Setting prohibited	Setting prohibited	Setting prohibited				
0	0	1				f _{CLK} /32										27 μs			
0	1	0				f _{CLK} /16										27 μs	13.5 μs		
0	1	1				f _{CLK} /8										27 μs	13.5 μs	6.75 μs	
1	0	0				f _{CLK} /6										20.25 μs	10.125 μs	5.0625 μs	
1	0	1				f _{CLK} /5										33.75 μs	16.875 μs	8.4375 μs	4.21875 μs
1	1	0				f _{CLK} /4										27 μs	13.5 μs	6.75 μs	3.375 μs
1	1	1				f _{CLK} /2										27 μs	13.5 μs	6.75 μs	3.375 μs
0	0	0	0	1	Normal 2	f _{CLK} /64	8 f _{AD}	17 f _{AD} (number of sampling clocks: 5 f _{AD})	1600/f _{CLK} 800/f _{CLK} 400/f _{CLK} 200/f _{CLK} 150/f _{CLK} 125/f _{CLK} 100/f _{CLK} 50/f _{CLK}	Setting prohibited	Setting prohibited	Setting prohibited	Setting prohibited	Setting prohibited	Setting prohibited				
0	0	1				f _{CLK} /32										25 μs			
0	1	0				f _{CLK} /16										25 μs	12.5 μs		
0	1	1				f _{CLK} /8										25 μs	12.5 μs	6.25 μs	
1	0	0				f _{CLK} /6										37.5 μs	18.75 μs	9.375 μs	4.6875 μs
1	0	1				f _{CLK} /5										31.25 μs	15.625 μs	7.8125 μs	3.90625 μs
1	1	0				f _{CLK} /4										25 μs	12.5 μs	6.25 μs	3.125 μs
1	1	1				f _{CLK} /2										25 μs	12.5 μs	6.25 μs	3.125 μs
Other than above					Setting prohibited														

- Cautions**
- When rewriting the FR2 to FR0, LV1, and LV0 bits to other than the same data, stop A/D conversion once (ADCS = 0) beforehand.
 - The above conversion time does not include clock frequency errors. Select conversion time, taking clock frequency errors into consideration.
 - In the hardware trigger wait mode, the conversion time includes the time spent waiting for stabilization after the hardware trigger is detected.
 - These are the numbers of clock cycles when conversion is with 10-bit resolution. When eight-bit resolution is selected, the values are shorter by two cycles of the conversion clock (f_{AD}).

Remark f_{CLK}: CPU/peripheral hardware clock frequency

Table 12-3. A/D Conversion Time Selection (2/4)

(2) 2.7 V ≤ V_{DD} < 4.0 V

When there is stabilization wait time (hardware trigger wait mode)

A/D Converter Mode Register 0 (ADM0)					Mode	Conversion Clock (f _{AD})	Number of A/D Power Supply Stabilization Wait Clocks	Number of conversion clocks	A/D Power Supply Stabilization Wait Time + Conversion Time	Conversion Time Selection					
FR2	FR1	FR0	LV1	LV0						f _{CLK} = 1 MHz	f _{CLK} = 2 MHz	f _{CLK} = 4 MHz	f _{CLK} = 8 MHz	f _{CLK} = 16 MHz	f _{CLK} = 32 MHz
0	0	0	0	0	Normal 1	f _{CLK} /64	8 f _{AD}	19 f _{AD} (number of sampling clocks: 7 f _{AD})	1728/f _{CLK}	Setting prohibited	Setting prohibited	Setting prohibited	Setting prohibited	Setting prohibited	Setting prohibited
0	0	1	f _{CLK} /32	864/f _{CLK}									27 μs		
0	1	0	f _{CLK} /16	432/f _{CLK}								27 μs	13.5 μs		
0	1	1	f _{CLK} /8	216/f _{CLK}							27 μs	13.5 μs	6.75 μs		
1	0	0	f _{CLK} /6	162/f _{CLK}							20.25 μs	10.125 μs	5.0625 μs		
1	0	1	f _{CLK} /5	135/f _{CLK}						33.75 μs	16.875 μs	8.4375 μs	4.2188 μs		
1	1	0	f _{CLK} /4	108/f _{CLK}						27 μs	13.5 μs	6.75 μs	Setting prohibited		
1	1	1	f _{CLK} /2	54/f _{CLK}					27 μs	13.5 μs	6.75 μs	Setting prohibited	Setting prohibited		
0	0	0	0	1	Normal 2	f _{CLK} /64	8 f _{AD}	17 f _{AD} (number of sampling clocks: 5 f _{AD})	1600/f _{CLK}	Setting prohibited	Setting prohibited	Setting prohibited	Setting prohibited	Setting prohibited	Setting prohibited
0	0	1	f _{CLK} /32	800/f _{CLK}									25 μs		
0	1	0	f _{CLK} /16	400/f _{CLK}								25 μs	12.5 μs		
0	1	1	f _{CLK} /8	200/f _{CLK}							25 μs	12.5 μs	6.25 μs		
1	0	0	f _{CLK} /6	150/f _{CLK}							37.5 μs	18.75 μs	9.375 μs	4.6875 μs	
1	0	1	f _{CLK} /5	125/f _{CLK}							31.25 μs	15.625 μs	7.8125 μs	3.9063 μs	
1	1	0	f _{CLK} /4	100/f _{CLK}							25 μs	12.5 μs	6.25 μs	Setting prohibited	
1	1	1	f _{CLK} /2	50/f _{CLK}					25 μs	12.5 μs	6.25 μs	Setting prohibited	Setting prohibited		
Other than above					Setting prohibited										

- Cautions**
1. When rewriting the FR2 to FR0, LV1, and LV0 bits to other than the same data, stop A/D conversion once (ADCS = 0) beforehand.
 2. The above conversion time does not include clock frequency errors. Select conversion time, taking clock frequency errors into consideration.
 3. While in the hardware trigger wait mode, the conversion time includes the time spent waiting for stabilization after the hardware trigger is detected.
 4. These are the numbers of clock cycles when conversion is with 10-bit resolution. When eight-bit resolution is selected, the values are shorter by two cycles of the conversion clock (f_{AD}).

Remark f_{CLK}: CPU/peripheral hardware clock frequency

Table 12-3. A/D Conversion Time Selection (3/4)

(3) 4.0 V ≤ V_{DD} ≤ 5.5 V

When there is no stabilization wait time (software trigger mode/hardware trigger no-wait mode)

A/D Converter Mode Register 0 (ADM0)					Mode	Conversion Clock (f _{AD})	Number of conversion clocks	Conversion Time	Conversion Time Selection									
FR2	FR1	FR0	LV1	LV0					f _{CLK} = 1 MHz	f _{CLK} = 2 MHz	f _{CLK} = 4 MHz	f _{CLK} = 8 MHz	f _{CLK} = 16 MHz	f _{CLK} = 32 MHz				
0	0	0	0	0	Normal 1	f _{CLK} /64	19 f _{AD} (number of sampling clocks: 7 f _{AD})	1216/f _{CLK}	Setting prohibited	Setting prohibited	Setting prohibited	Setting prohibited	Setting prohibited	38 μs				
0	0	1	0	0		f _{CLK} /32		608/f _{CLK}						38 μs	19 μs			
0	1	0				f _{CLK} /16		304/f _{CLK}						38 μs	19 μs	9.5 μs		
0	1	1				f _{CLK} /8		152/f _{CLK}						38 μs	19 μs	9.5 μs	4.75 μs	
1	0	0				f _{CLK} /6		114/f _{CLK}						28.5 μs	14.25 μs	7.125 μs	3.5625 μs	
1	0	1				f _{CLK} /5		95/f _{CLK}						23.75 μs	11.875 μs	5.938 μs	2.9688 μs	
1	1	0				f _{CLK} /4		76/f _{CLK}						38 μs	19 μs	9.5 μs	4.75 μs	2.375 μs
1	1	1				f _{CLK} /2		38/f _{CLK}						38 μs	19 μs	9.5 μs	4.75 μs	2.375 μs
0	0	0	0	1	Normal 2	f _{CLK} /64	17 f _{AD} (number of sampling clocks: 5 f _{AD})	1088/f _{CLK}	Setting prohibited	Setting prohibited	Setting prohibited	Setting prohibited	Setting prohibited					
0	0	1	0	1		f _{CLK} /32		544/f _{CLK}					34 μs	17 μs				
0	1	0				f _{CLK} /16		272/f _{CLK}					34 μs	17 μs	8.5 μs			
0	1	1				f _{CLK} /8		136/f _{CLK}					34 μs	17 μs	8.5 μs	4.25 μs		
1	0	0				f _{CLK} /6		102/f _{CLK}					25.5 μs	12.75 μs	6.375 μs	3.1875 μs		
1	0	1				f _{CLK} /5		85/f _{CLK}					21.25 μs	10.625 μs	5.3125 μs	2.6563 μs		
1	1	0				f _{CLK} /4		68/f _{CLK}					34 μs	17 μs	8.5 μs	4.25 μs	2.125 μs Note	
1	1	1				f _{CLK} /2		34/f _{CLK}					34 μs	17 μs	8.5 μs	4.25 μs	2.125 μs Note	Setting prohibited
Other than above					Setting prohibited													

Note This value is prohibited when using the temperature sensor.

- Cautions**
1. When rewriting the FR2 to FR0, LV1, and LV0 bits to other than the same data, stop A/D conversion once (ADCS = 0) beforehand.
 2. The above conversion time does not include clock frequency errors. Select conversion time, taking clock frequency errors into consideration.
 3. These are the numbers of clock cycles when conversion is with 10-bit resolution. When eight-bit resolution is selected, the values are shorter by two cycles of the conversion clock (f_{AD}).

Remark f_{CLK}: CPU/peripheral hardware clock frequency

Table 12-3. A/D Conversion Time Selection (4/4)

(4) 2.7 V ≤ V_{DD} < 4.0 V

When there is no stabilization wait time (software trigger mode/hardware trigger no-wait mode)

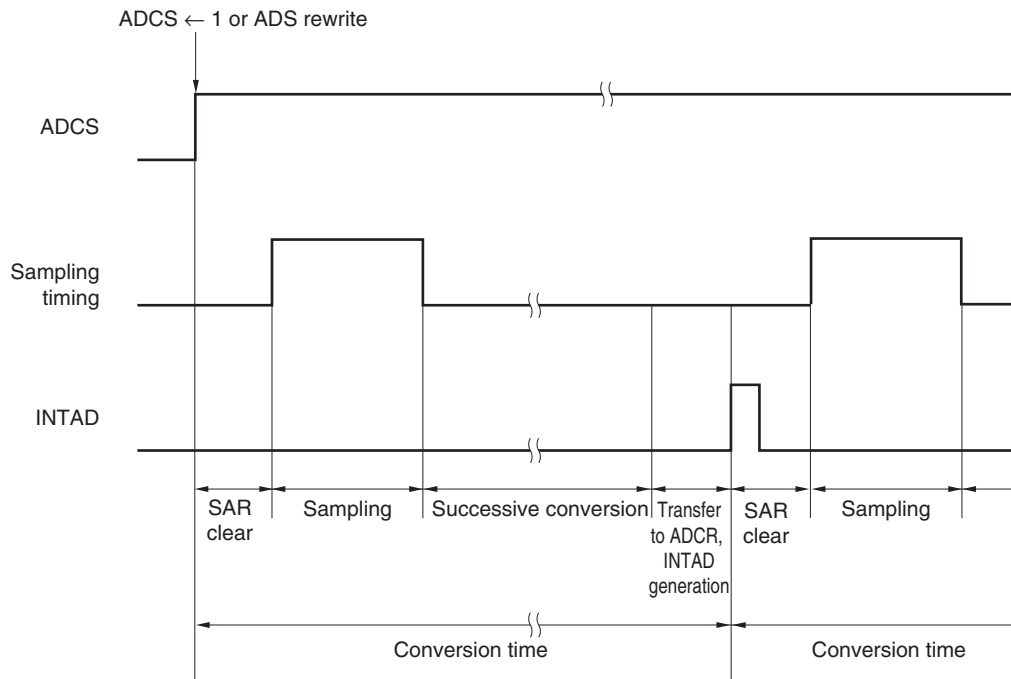
A/D Converter Mode Register 0 (ADM0)					Mode	Conversion Clock (f _{AD})	Number of conversion clocks	Conversion Time	Conversion Time Selection									
FR2	FR1	FR0	LV1	LV0					f _{CLK} = 1 MHz	f _{CLK} = 2 MHz	f _{CLK} = 4 MHz	f _{CLK} = 8 MHz	f _{CLK} = 16 MHz	f _{CLK} = 32 MHz				
0	0	0	0	0	Normal 1	f _{CLK} /64	19 f _{AD} (number of sampling clocks: 7 f _{AD})	1216/f _{CLK}	Setting prohibited	Setting prohibited	Setting prohibited	Setting prohibited	Setting prohibited	38 μs				
0	0	1	0	0		f _{CLK} /32		608/f _{CLK}							38 μs	19 μs	9.5 μs	
0	1	0				f _{CLK} /16		304/f _{CLK}										
0	1	1				f _{CLK} /8		152/f _{CLK}							38 μs	19 μs	9.5 μs	4.75 μs
1	0	0				f _{CLK} /6		114/f _{CLK}							28.5 μs	14.25 μs	7.125 μs	3.5625 μs
1	0	1				f _{CLK} /5		95/f _{CLK}							23.75 μs	11.875 μs	5.938 μs	Setting prohibited
1	1	0				f _{CLK} /4		76/f _{CLK}							38 μs	19 μs	9.5 μs	4.75 μs
1	1	1				f _{CLK} /2		38/f _{CLK}							38 μs	19 μs	9.5 μs	4.75 μs
0	0	0			0	1	Normal 2	f _{CLK} /64	17 f _{AD} (number of sampling clocks: 5 f _{AD})	1088/f _{CLK}	Setting prohibited	Setting prohibited	Setting prohibited	Setting prohibited	Setting prohibited	34 μs		
0	0	1	0	1	f _{CLK} /32	544/f _{CLK}		34 μs		17 μs						8.5 μs		
0	1	0			f _{CLK} /16	272/f _{CLK}											34 μs	17 μs
0	1	1			f _{CLK} /8	136/f _{CLK}		34 μs		17 μs						8.5 μs	4.25 μs	
1	0	0			f _{CLK} /6	102/f _{CLK}		25.5 μs		12.75 μs						6.375 μs	3.1875 μs	
1	0	1			f _{CLK} /5	85/f _{CLK}		21.25 μs		10.625 μs						5.3125 μs	Setting prohibited	
1	1	0			f _{CLK} /4	68/f _{CLK}		34 μs		17 μs						8.5 μs	4.25 μs	
1	1	1			f _{CLK} /2	34/f _{CLK}		34 μs		17 μs						8.5 μs	4.25 μs	Setting prohibited
Other than above					Setting prohibited													

Note This value is prohibited when using the temperature sensor.

- Cautions**
1. When rewriting the FR2 to FR0, LV1, and LV0 bits to other than the same data, stop A/D conversion once (ADCS = 0) beforehand.
 2. The above conversion time does not include clock frequency errors. Select conversion time, taking clock frequency errors into consideration.
 3. These are the numbers of clock cycles when conversion is with 10-bit resolution. When eight-bit resolution is selected, the values are shorter by two cycles of the conversion clock (f_{AD}).

Remark f_{CLK}: CPU/peripheral hardware clock frequency

Figure 12-5. A/D Converter Sampling and A/D Conversion Timing (Example for Software Trigger Mode)



12.3.3 A/D converter mode register 1 (ADM1)

This register is used to specify the A/D conversion trigger, conversion mode, and hardware trigger signal. The ADM1 register can be set by a 1-bit or 8-bit memory manipulation instruction. Reset signal generation clears this register to 00H.

Figure 12-6. Format of A/D Converter Mode Register 1 (ADM1)

Address: FFF32H After reset: 00H R/W

Symbol	7	6	5	4	3	2	1	0
ADM1	ADTMD1	ADTMD0	ADSCM	0	0	0	ADTRS1	ADTRS0

ADTMD1	ADTMD0	Selection of the A/D conversion trigger mode
0	x	Software trigger mode
1	0	Hardware trigger no-wait mode
1	1	Hardware trigger wait mode

ADSCM	Specification of the A/D conversion mode
0	Sequential conversion mode
1	One-shot conversion mode

ADTRS1	ADTRS0	Selection of the hardware trigger signal
0	0	End of TAU0 channel 1 count or capture interrupt signal (INTTM01)
0	1	Event signal selected by ELC
1	0	Pretimed signal/alarm interrupt signal (INTRTC)
1	1	Setting prohibited

- Cautions**
1. Only rewrite the value of the ADM1 register while conversion operation is stopped (which is indicated by the ADCS bit of A/D converter mode register 0 (ADM0) being 0).
 2. To complete A/D conversion, specify at least the following time as the hardware trigger interval:
 Hardware trigger no wait mode: 2 f_{CLK} clocks + A/D conversion time
 Hardware trigger wait mode: 2 f_{CLK} clocks + stabilization wait time + A/D conversion time
 3. In modes other than SNOOZE mode, input of the next INTRTC will not be recognized as a valid hardware trigger for up to four f_{CLK} cycles after the first INTRTC is input.

- Remarks**
1. x: don't care
 2. f_{CLK}: CPU/peripheral hardware clock frequency

12.3.4 A/D converter mode register 2 (ADM2)

This register is used to select the A/D converter reference voltage, check the upper limit and lower limit A/D conversion result values, select the resolution, and specify whether to use the SNOOZE mode.

The ADM2 register can be set by a 1-bit or 8-bit memory manipulation instruction.

Reset signal generation clears this register to 00H.

Figure 12-7. Format of A/D Converter Mode Register 2 (ADM2) (1/2)

Address: F0010H After reset: 00H R/W

Symbol	7	6	5	4	<3>	<2>	1	<0>
ADM2	ADREFP1	ADREFP0	ADREFM	0	ADRCK	AWC	0	ADTYP

ADREFP1	ADREFP0	Selection of the + side reference voltage source of the A/D converter
0	0	Supplied from V _{DD}
0	1	Supplied from P33/AV _{REFP} /ANI0
1	0	Supplied from the internal reference voltage (1.45 V)
1	1	Setting prohibited
<ul style="list-style-type: none"> When ADREFP1 or ADREFP0 bit is rewritten, this must be configured in accordance with the following procedures. <ol style="list-style-type: none"> Set ADCE = 0 Change the values of ADREFP1 and ADREFP0 Stabilization wait time (A) Set ADCE = 1 Stabilization wait time (B) When ADREFP1 and ADREFP0 are set to 1 and 0, the setting is changed to A = 5 μs, B = 1 μs. When ADREFP1 and ADREFP0 are set to 0 and 0 or 0 and 1, A needs no wait and B = 1 μs. Start A/D conversion after the wait time (5) specified above). When ADREFP1 and ADREFP0 are set to 1 and 0, respectively, A/D conversion cannot be performed on the temperature sensor output and internal reference voltage output. Be sure to perform A/D conversion while ADISS = 0. 		

ADREFM	Selection of the – side reference voltage source of the A/D converter
0	Supplied from V _{SS}
1	Supplied from P34/AV _{REFM} /ANI1

ADRCK	Checking the upper limit and lower limit conversion result values
0	The interrupt signal (INTAD) is output when the ADLL register ≤ the ADCR register ≤ the ADUL register (<1>).
1	The interrupt signal (INTAD) is output when the ADCR register < the ADLL register (<2>) or the ADUL register < the ADCR register (<3>).

Figure 12-8 shows the generation range of the interrupt signal (INTAD) for <1> to <3>.

- Cautions**
- Only rewrite the value of the ADM2 register while conversion operation is stopped (which is indicated by the ADCS bit of A/D converter mode register 0 (ADM0) being 0).
 - When entering STOP mode or HALT mode while the CPU is operating on the subsystem/low-speed on-chip oscillator select clock, do not set ADREFP1 to 1. When the internal reference voltage is selected (ADREFP1, ADREFP0 = 1, 0), the current value defined in the supply current characteristics in CHAPTER 35 and CHAPTER 36 ELECTRICAL SPECIFICATIONS must be added.
 - When using AV_{REFP} and AV_{REFM}, specify ANI0 and ANI1 as the analog input channels and specify input mode by using the port mode register.

Figure 12-7. Format of A/D Converter Mode Register 2 (ADM2) (2/2)

Address: F0010H After reset: 00H R/W

Symbol	7	6	5	4	<3>	<2>	1	<0>
ADM2	ADREFP1	ADREFP0	ADREFM	0	ADRCK	AWC	0	ADTYP

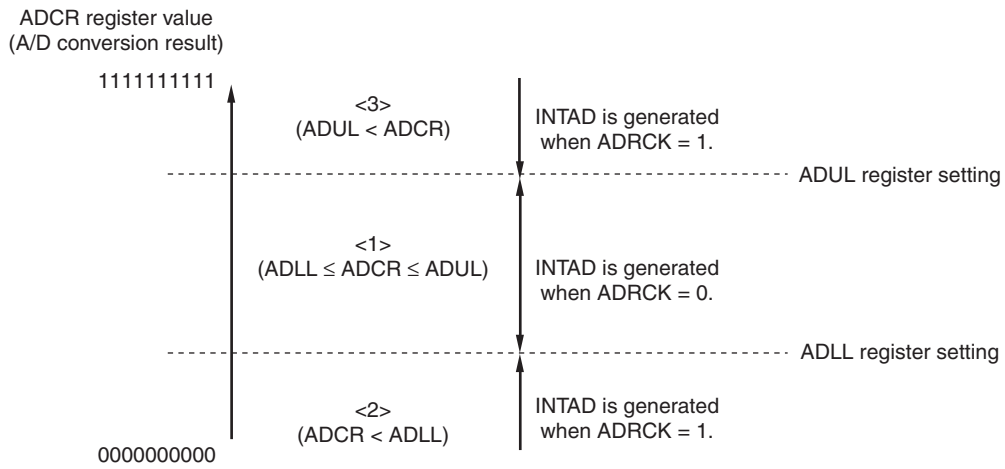
AWC	Specification of the SNOOZE mode
0	Do not use the SNOOZE mode function.
1	Use the SNOOZE mode function.
<p>When there is a hardware trigger signal in the STOP mode, the STOP mode is exited, and A/D conversion is performed without operating the CPU (the SNOOZE mode).</p> <ul style="list-style-type: none"> The SNOOZE mode function can only be specified when the high-speed on-chip oscillator clock is selected for the CPU/peripheral hardware clock (f_{CLK}). If any other clock is selected, specifying this mode is prohibited. Using the SNOOZE mode function in the software trigger mode or hardware trigger no-wait mode is prohibited. Using the SNOOZE mode function in the sequential conversion mode is prohibited. When using the SNOOZE mode function, specify a hardware trigger interval of at least "shift time to SNOOZE mode^{Note} + A/D power supply stabilization wait time + A/D conversion time + 2 f_{CLK} clocks". Even when using SNOOZE mode, be sure to set the AWC bit to 0 in normal operation mode and change it to 1 just before shifting to STOP mode. Also, be sure to change the AWC bit to 0 after returning from STOP mode to normal operation mode. If the AWC bit is left set to 1, A/D conversion will not start normally in spite of the subsequent SNOOZE or normal operation mode. 	

ADTYP	Selection of the A/D conversion resolution
0	10-bit resolution
1	8-bit resolution

Note Refer to "From STOP to SNOOZE" in 24.3.3 SNOOZE mode.

Caution Only rewrite the value of the ADM2 register while conversion operation is stopped (which is indicated by the ADCS bit of A/D converter mode register 0 (ADM0) being 0).

Figure 12-8. ADRCK Bit Interrupt Signal Generation Range



Remark If INTAD does not occur, the A/D conversion result is not stored in the ADCR or ADCRH register.

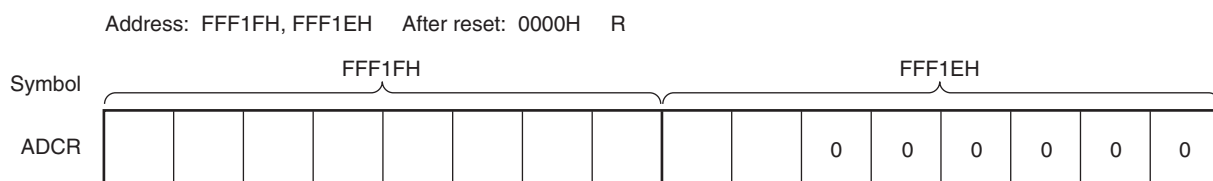
12.3.5 10-bit A/D conversion result register (ADCR)

This register is a 16-bit register that stores the A/D conversion result in the select mode. The lower 6 bits are fixed to 0. Each time A/D conversion ends, the conversion result is loaded from the successive approximation register (SAR). The higher 8 bits of the conversion result are stored in FFF1FH and the lower 2 bits are stored in the higher 2 bits of FFF1EH ^{Note}.

The ADCR register can be read by a 16-bit memory manipulation instruction. Reset signal generation clears this register to 0000H.

Note If the A/D conversion result is outside the range specified by using the A/D conversion result comparison function (the value specified by the ADRCK bit of the ADM2 register and ADUL/ADLL registers; see **Figure 12-8**), the result is not stored.

Figure 12-9. Format of 10-bit A/D Conversion Result Register (ADCR)



- Cautions**
1. When writing to the A/D converter mode register 0 (ADM0), analog input channel specification register (ADS), and A/D port configuration register (ADPC), the contents of the ADCR register may become undefined. Read the conversion result following conversion completion before writing to the ADM0, ADS, and ADPC registers. Using timing other than the above may cause an incorrect conversion result to be read.
 2. When 8-bit resolution A/D conversion is selected (when the ADTYP bit of A/D converter mode register 2 (ADM2) is 1) and the ADCR register is read, 0 is read from the lower two bits (ADCR1 and ADCR0).
 3. When the ADCR register is accessed in 16-bit units, the higher 10 bits of the conversion result are read in order starting at bit 15.

12.3.6 8-bit A/D conversion result register (ADCRH)

This register is an 8-bit register that stores the A/D conversion result. The higher 8 bits of 10-bit resolution are stored

Note

The ADCRH register can be read by an 8-bit memory manipulation instruction.

Reset signal generation clears this register to 00H.

Note If the A/D conversion result is outside the range specified by using the A/D conversion result comparison function (the value specified by the ADRCK bit of the ADM2 register and ADUL/ADLL registers; see **Figure 12-8**), the result is not stored.

Figure 12-10. Format of 8-bit A/D Conversion Result Register (ADCRH)

Address: FFF1FH After reset: 00H R

Symbol	7	6	5	4	3	2	1	0
ADCRH								

Caution When writing to the A/D converter mode register 0 (ADM0), analog input channel specification register (ADS), and A/D port configuration register (ADPC), the contents of the ADCRH register may become undefined. Read the conversion result following conversion completion before writing to the ADM0, ADS, and ADPC registers. Using timing other than the above may cause an incorrect conversion result to be read.

12.3.7 Analog input channel specification register (ADS)

This register specifies the input channel of the analog voltage to be A/D converted.

The ADS register can be set by a 1-bit or 8-bit memory manipulation instruction.

Reset signal generation clears this register to 00H.

Figure 12-11. Format of Analog Input Channel Specification Register (ADS) (1/2)

Address: FFF31H After reset: 00H R/W

Symbol	7	6	5	4	3	2	1	0
ADS	ADISS	0	0	ADS4	ADS3	ADS2	ADS1	ADS0

○ Select mode (ADMD = 0)

ADISS	ADS4	ADS3	ADS2	ADS1	ADS0	Analog input channel	Input source
0	0	0	0	0	0	ANI0	P33/AV _{REFP} /ANI0
0	0	0	0	0	1	ANI1	P34/AV _{REFM} /ANI1
0	0	0	0	1	0	ANI2	P80/ANI2/ANO0
0	0	0	0	1	1	ANI3	P81/ANI3/IVCMP00
0	0	0	1	0	0	ANI4	P82/ANI4/IVCMP01
0	0	0	1	0	1	ANI5	P83/ANI5/IVCMP02
0	0	0	1	1	0	ANI6	P84/ANI6/IVCMP03
0	0	0	1	1	1	ANI7	P85/ANI7/IVREF0
0	0	1	0	0	0	ANI8	P86/ANI8
0	0	1	0	0	1	ANI9	P87/ANI9
0	0	1	0	1	0	ANI10	P90/ANI10
0	0	1	0	1	1	ANI11	P91/ANI11
0	0	1	1	0	0	ANI12	P92/ANI12
0	0	1	1	0	1	ANI13	P93/ANI13
0	0	1	1	1	0	ANI14	P94/ANI14
0	0	1	1	1	1	ANI15	P95/ANI15
0	1	0	0	0	0	ANI16	P96/ANI16
0	1	0	0	0	1	ANI17	P97/ANI17
0	1	0	0	1	0	ANI18	P100/ANI18
0	1	0	0	1	1	ANI19	P101/ANI19
0	1	0	1	0	0	ANI20	P102/ANI20
0	1	0	1	0	1	ANI21	P103/ANI21
0	1	0	1	1	0	ANI22	P104/ANI22
0	1	0	1	1	1	ANI23	P105/ANI23
0	1	1	0	0	0	ANI24	P125/ANI24
0	1	1	0	0	1	ANI25	P120/ANI25
0	1	1	0	1	0	ANI26	P70/ANI26
0	1	1	0	1	1	ANI27	P71/ANI27
0	1	1	1	0	0	ANI28	P72/ANI28
0	1	1	1	0	1	ANI29	P73/ANI29
0	1	1	1	1	0	ANI30	P74/ANI30
1	0	0	0	0	0	—	Temperature sensor output
1	0	0	0	0	1	—	Internal reference voltage output (1.45 V)
Other than above						Setting prohibited	

Figure 12-11. Format of Analog Input Channel Specification Register (ADS) (2/2)

Address: FFF31H After reset: 00H R/W

Symbol	7	6	5	4	3	2	1	0
ADS	ADISS	0	0	ADS4	ADS3	ADS2	ADS1	ADS0

○ Scan mode (ADMD = 1)

ADISS	ADS4	ADS3	ADS2	ADS1	ADS0	Analog input channel			
						Scan 0	Scan 1	Scan 2	Scan 3
0	0	0	0	0	0	ANI0	ANI1	ANI2	ANI3
0	0	0	0	0	1	ANI1	ANI2	ANI3	ANI4
0	0	0	0	1	0	ANI2	ANI3	ANI4	ANI5
0	0	0	0	1	1	ANI3	ANI4	ANI5	ANI6
0	0	0	1	0	0	ANI4	ANI5	ANI6	ANI7
0	0	0	1	0	1	ANI5	ANI6	ANI7	ANI8
0	0	0	1	1	0	ANI6	ANI7	ANI8	ANI9
0	0	0	1	1	1	ANI7	ANI8	ANI9	ANI10
0	0	1	0	0	0	ANI8	ANI9	ANI10	ANI11
0	0	1	0	0	1	ANI9	ANI10	ANI11	ANI12
0	0	1	0	1	0	ANI10	ANI11	ANI12	ANI13
0	0	1	0	1	1	ANI11	ANI12	ANI13	ANI14
0	0	1	1	0	0	ANI12	ANI13	ANI14	ANI15
0	1	0	0	0	0	ANI16	ANI17	ANI18	ANI19
0	1	0	0	0	1	ANI17	ANI18	ANI19	ANI20
0	1	0	0	1	0	ANI18	ANI19	ANI20	ANI21
0	1	0	0	1	1	ANI19	ANI20	ANI21	ANI22
0	1	0	1	0	0	ANI20	ANI21	ANI22	ANI23
Other than the above						Setting prohibited			

- Cautions**
1. Be sure to clear bits 5 and 6 to 0.
 2. Set the port that is set to analog input by the ADPC and PMCx registers to the input mode by using port mode registers 3, 7 to 10, or 12 (PM3, PM7 to PM10, PM12).
 3. Do not set the pin that is set by the A/D port configuration register (ADPC) as digital I/O by the ADS register.
 4. Do not set the pin that is set by port mode control registers 7 or 12 (PMC7, PMC12) as digital I/O by the ADS register.
 5. Only rewrite the value of the ADISS bit while A/D voltage comparator operation is stopped (which is indicated by the ADCE bit of A/D converter mode register 0 (ADM0) being 0).
 6. If using AVREFP as the + side reference voltage source of the A/D converter, do not select ANI0 as an A/D conversion channel.
 7. If using AVREFM as the – side reference voltage source of the A/D converter, do not select ANI1 as an A/D conversion channel.
 8. If ADISS is set to 1, the internal reference voltage (1.45 V) cannot be used for the + side reference voltage source. In addition, the result of the first conversion after ADISS has been set to 1 is not usable.
 9. When entering STOP mode or HALT mode while the CPU is operating on the subsystem/low-speed on-chip oscillator select clock, do not set ADISS to 1. When ADISS is set to 1, the current value defined in the supply current characteristics in CHAPTER 35 and CHAPTER 36 ELECTRICAL SPECIFICATIONS must be added.
 10. Ignore the conversion result if the corresponding ANI pin does not exist in the product used.

12.3.8 Conversion result comparison upper limit setting register (ADUL)

This register is used to specify the setting for checking the upper limit of the A/D conversion results.

The A/D conversion results and ADUL register value are compared, and interrupt signal (INTAD) generation is controlled in the range specified for the ADRCK bit of A/D converter mode register 2 (ADM2) (shown in **Figure 12-8**).

The ADUL register can be set by an 8-bit memory manipulation instruction.

Reset signal generation sets this register to FFH.

Figure 12-12. Format of Conversion Result Comparison Upper Limit Setting Register (ADUL)

Address: F0011H After reset: FFH R/W

Symbol	7	6	5	4	3	2	1	0
ADUL	ADUL7	ADUL6	ADUL5	ADUL4	ADUL3	ADUL2	ADUL1	ADUL0

- Cautions**
1. When A/D conversion with 10-bit resolution is selected, the higher eight bits of the 10-bit A/D conversion result register (ADCR) are compared with the value in the ADUL register.
 2. Writing new values to the ADUL and ADLL registers is prohibited while conversion is enabled. Write new values to these registers while conversion is stopped (ADCE = 0).
 3. The setting of the ADUL registers must be greater than that of the ADLL register.

12.3.9 Conversion result comparison lower limit setting register (ADLL)

This register is used to specify the setting for checking the lower limit of the A/D conversion results.

The A/D conversion results and ADLL register value are compared, and interrupt signal (INTAD) generation is controlled in the range specified for the ADRCK bit of A/D converter mode register 2 (ADM2) (shown in **Figure 12-8**).

The ADLL register can be set by an 8-bit memory manipulation instruction.

Reset signal generation clears this register to 00H.

Figure 12-13. Format of Conversion Result Comparison Lower Limit Setting Register (ADLL)

Address: F0012H After reset: 00H R/W

Symbol	7	6	5	4	3	2	1	0
ADLL	ADLL7	ADLL6	ADLL5	ADLL4	ADLL3	ADLL2	ADLL1	ADLL0

- Cautions**
1. When A/D conversion with 10-bit resolution is selected, the higher eight bits of the 10-bit A/D conversion result register (ADCR) are compared with the value in the ADLL register.
 2. Writing new values to the ADUL and ADLL registers is prohibited while conversion is enabled. Write new values to these registers while conversion is stopped (ADCE = 0).
 3. The setting of the ADUL registers must be greater than that of the ADLL register.

12.3.10 A/D test register (ADTES)

This register is used to select the + side reference voltage (AV_{REFP}) or - side reference voltage (AV_{REFM}) of the A/D converter, or the analog input channel ($ANlxx$) as the A/D conversion target for the A/D test function.

The ADTES register can be set by an 8-bit memory manipulation instruction.

Reset signal generation clears this register to 00H.

Figure 12-14. Format of A/D Test Register (ADTES)

Address: F0013H After reset: 00H R/W

Symbol	7	6	5	4	3	2	1	0
ADTES	0	0	0	0	0	0	ADTES1	ADTES0

ADTES1	ADTES0	A/D conversion target
0	0	$ANlxx$ (This is specified using the analog input channel specification register (ADS).)
1	0	AV_{REFM}
1	1	AV_{REFP}
Other than the above		Setting prohibited

Caution For details of the A/D test function, see CHAPTER 28 SAFETY FUNCTIONS.

12.3.11 A/D port configuration register (ADPC)

This register switches the ANI0/P33 to ANI23/P105 pins to analog input of A/D converter or digital I/O of port.
 The ADPC register can be set by an 8-bit memory manipulation instruction.
 Reset signal generation clears this register to 00H.

Figure 12-15. Format of A/D Port Configuration Register (ADPC)

Address: F0076H After reset: 00H R/W

Symbol	7	6	5	4	3	2	1	0
ADPC	0	0	0	ADPC4	ADPC3	ADPC2	ADPC1	ADPC0

		Analog input (A)/digital I/O (D) switching																											
ADPC4	ADPC3	ADPC2	ADPC1	ADPC0	ANI23/P105	ANI22/P104	ANI21/P103	ANI20/P102	ANI19/P101	ANI18/P100	ANI17/P97	ANI16/P96	ANI15/P95	ANI14/P94	ANI13/P93	ANI12/P92	ANI11/P91	ANI10/P90	ANI9/P87	ANI8/P86	ANI7/IVREF0/P85	ANI6/IVCMP03/P84	ANI5/IVCMP02/P83	ANI4/IVCMP01/P82	ANI3/IVCMP00/P81	ANI2/ANO0/P80	ANI1/AV _{REFW} /P34	ANI0/AV _{REFP} /P33	
0	0	0	0	0	A	A	A	A	A	A	A	A	A	A	A	A	A	A	A	A	A	A	A	A	A	A	A	A	
0	0	0	0	1	D	D	D	D	D	D	D	D	D	D	D	D	D	D	D	D	D	D	D	D	D	D	D	D	D
0	0	0	1	0	D	D	D	D	D	D	D	D	D	D	D	D	D	D	D	D	D	D	D	D	D	D	D	D	A
0	0	0	1	1	D	D	D	D	D	D	D	D	D	D	D	D	D	D	D	D	D	D	D	D	D	D	D	A	A
0	0	1	0	0	D	D	D	D	D	D	D	D	D	D	D	D	D	D	D	D	D	D	D	D	D	D	A	A	A
0	0	1	0	1	D	D	D	D	D	D	D	D	D	D	D	D	D	D	D	D	D	D	D	D	D	A	A	A	A
0	0	1	1	0	D	D	D	D	D	D	D	D	D	D	D	D	D	D	D	D	D	D	D	D	A	A	A	A	A
0	0	1	1	1	D	D	D	D	D	D	D	D	D	D	D	D	D	D	D	D	D	D	D	A	A	A	A	A	A
0	1	0	0	0	D	D	D	D	D	D	D	D	D	D	D	D	D	D	D	D	D	A	A	A	A	A	A	A	A
0	1	0	0	1	D	D	D	D	D	D	D	D	D	D	D	D	D	D	D	D	A	A	A	A	A	A	A	A	A
0	1	0	1	0	D	D	D	D	D	D	D	D	D	D	D	D	D	D	D	D	A	A	A	A	A	A	A	A	A
0	1	0	1	1	D	D	D	D	D	D	D	D	D	D	D	D	D	D	D	D	A	A	A	A	A	A	A	A	A
0	1	1	0	0	D	D	D	D	D	D	D	D	D	D	D	D	D	D	D	D	A	A	A	A	A	A	A	A	A
0	1	1	0	1	D	D	D	D	D	D	D	D	D	D	D	D	D	D	D	D	A	A	A	A	A	A	A	A	A
0	1	1	1	0	D	D	D	D	D	D	D	D	D	D	D	D	D	D	D	D	A	A	A	A	A	A	A	A	A
0	1	1	1	1	D	D	D	D	D	D	D	D	D	D	D	D	D	D	D	D	A	A	A	A	A	A	A	A	A
1	0	0	0	0	D	D	D	D	D	D	D	D	A	A	A	A	A	A	A	A	A	A	A	A	A	A	A	A	A
1	0	0	0	1	D	D	D	D	D	D	D	A	A	A	A	A	A	A	A	A	A	A	A	A	A	A	A	A	A
1	0	0	1	1	D	D	D	D	D	D	A	A	A	A	A	A	A	A	A	A	A	A	A	A	A	A	A	A	A
1	0	1	0	0	D	D	D	D	D	A	A	A	A	A	A	A	A	A	A	A	A	A	A	A	A	A	A	A	A
1	0	1	0	1	D	D	D	D	A	A	A	A	A	A	A	A	A	A	A	A	A	A	A	A	A	A	A	A	A
1	0	1	1	0	D	D	D	A	A	A	A	A	A	A	A	A	A	A	A	A	A	A	A	A	A	A	A	A	A
1	0	1	1	1	D	D	A	A	A	A	A	A	A	A	A	A	A	A	A	A	A	A	A	A	A	A	A	A	A
1	1	0	0	0	D	A	A	A	A	A	A	A	A	A	A	A	A	A	A	A	A	A	A	A	A	A	A	A	A
Other than above	Setting prohibited																												

(Cautions are listed on the next page.)

- Cautions**
1. Set the port that is set to analog input by the ADPC register to the input mode by using port mode registers 3, 8 to 10, or 12 (PM3, PM8 to PM10, PM12).
 2. Do not set the pin set by the ADPC register as digital I/O by the analog input channel specification register (ADS).
 3. When using AV_{REFP} and AV_{REFM} , specify ANI0 and ANI1 as the analog input channels and specify input mode by using the port mode register.

12.3.12 Port mode control registers 7 and 12 (PMC7, PMC12)

These registers are used to switch the ANI24 to ANI30 pins between the analog input of the A/D converter and the digital I/O of the port.

The PMC7 and PMC12 registers can be set by a 1-bit or 8-bit memory manipulation instruction.
Reset signal generation sets these registers to FFH.

Caution Available pin among the ANI24 to ANI30 pins differs depending on the product. For details, see 1.5 Pin Configurations.

Figure 12-16. Formats of Port Mode Control Registers 7 and 12 (PMC7, PMC12)

Address: F0067H After reset: FFH R/W

Symbol	7	6	5	4	3	2	1	0
PMC7	1	1	1	PMC74	PMC73	PMC72	PMC71	PMC70

Address: F006CH After reset: FFH R/W

Symbol	7	6	5	4	3	2	1	0
PMC12	1	1	PMC125	1	1	1	1	PMC120

PMC	Digital I/O/analog input selection
0	Digital I/O (dual-use function other than analog input)
1	Analog input

- Cautions**
1. Set port pins specified as analog input pins to input mode by using port mode register x (PMx).
 2. Be sure to set bits for pins that are not present to their initial values.

12.3.13 Port mode registers 3, 7 to 10, and 12 (PM3, PM7 to PM10, PM12)

When using the ANI0/P33 to ANI23/P105 and ANI24/P125 to ANI30/P74 pins for an analog input port, set the PM_mn bit to 1. The output latches of PM_mn at this time may be 0 or 1.

If the PM_mn bits are set to 0, they cannot be used as analog input port pins.

The PM_m registers can be set by a 1-bit or 8-bit memory manipulation instruction.

Reset signal generation sets these registers to FFH.

- Cautions**
1. Available pins differ depending on the products. For details, see CHAPTER 2 PIN FUNCTIONS.
 2. If a pin is set as an analog input port, not the pin level but 0 is always read.

Remark m = 3, 7 to 10, 12; n = 0 to 7

**Figure 12-17. Formats of Port Mode Registers 3, 7 to 10, and 12 (PM3, PM7 to PM10, PM12)
(144-pin Products)**

Address: FFF23H After reset: FFH R/W

Symbol	7	6	5	4	3	2	1	0
PM3	1	1	1	PM34	PM33	1	1	1

Address: FFF27H After reset: FFH R/W

Symbol	7	6	5	4	3	2	1	0
PM7	1	1	1	PM74	PM73	PM72	PM71	PM70

Address: FFF28H After reset: FFH R/W

Symbol	7	6	5	4	3	2	1	0
PM8	PM87	PM86	PM85	PM84	PM83	PM82	PM81	PM80

Address: FFF29H After reset: FFH R/W

Symbol	7	6	5	4	3	2	1	0
PM9	PM97	PM96	PM95	PM94	PM93	PM92	PM91	PM90

Address: FFF2AH After reset: FFH R/W

Symbol	7	6	5	4	3	2	1	0
PM10	1	1	PM105	PM104	PM103	PM102	PM101	PM100

Address: FFF2CH After reset: FFH R/W

Symbol	7	6	5	4	3	2	1	0
PM12	1	1	PM125	1	1	1	1	PM120

PM bit	I/O mode selection
0	Output mode (output buffer on)
1	Input mode (output buffer off)

Caution When using AV_{REFP} and AV_{REFM}, specify ANI0 and ANI1 as the analog input channels and specify input mode by using the port mode register.

The ANI0/P33 to ANI23/P105 pins are as shown below depending on the settings of the A/D port configuration register (ADPC), analog input channel specification register (ADS), PM3, PM8, PM9, and PM10 registers.

Table 12-4. Setting Functions of ANI0/P33 to ANI23/P105 Pins

ADPC	PM3, PM8, PM9, PM10	ADS	ANI0/P33 to ANI23/P105 Pins
Digital I/O selection	Input mode	–	Digital input
	Output mode	–	Digital output
Analog input selection	Input mode	Selects ANI.	Analog input (to be converted)
		Does not select ANI.	Analog input (not to be converted)
	Output mode	Selects ANI.	Setting prohibited
		Does not select ANI.	

The ANI24 to ANI30 pins are as shown below depending on the settings of port mode control registers 7 and 12 (PMC7, PMC12), analog input channel specification register (ADS), PM7 and PM12 registers.

Table 12-5. Setting Functions of ANI24 to ANI30 Pins

PMC7 and PMC12	PM7 and PM12	ADS	ANI24 to ANI30 Pins
Digital I/O selection	Input mode	–	Digital input
	Output mode	–	Digital output
Analog input selection	Input mode	Selects ANI.	Analog input (to be converted)
		Does not select ANI.	Analog input (not to be converted)
	Output mode	Selects ANI.	Setting prohibited
		Does not select ANI.	

12.4 A/D Converter Conversion Operations

The A/D converter conversion operations are described below.

- <1> The voltage input to the selected analog input channel is sampled by the sample & hold circuit.
- <2> When sampling has been done for a certain time, the sample & hold circuit is placed in the hold state and the sampled voltage is held until the A/D conversion operation has ended.
- <3> Bit 9 of the successive approximation register (SAR) is set. The series resistor string voltage tap is set to $(1/2) AV_{REF}$ by the tap selector.
- <4> The voltage difference between the series resistor string voltage tap and sampled voltage is compared by the voltage comparator. If the analog input is greater than $(1/2) AV_{REF}$, the MSB bit of the SAR register remains set to 1. If the analog input is smaller than $(1/2) AV_{REF}$, the MSB bit is reset to 0.
- <5> Next, bit 8 of the SAR register is automatically set to 1, and the operation proceeds to the next comparison. The series resistor string voltage tap is selected according to the preset value of bit 9, as described below.
 - Bit 9 = 1: $(3/4) AV_{REF}$
 - Bit 9 = 0: $(1/4) AV_{REF}$

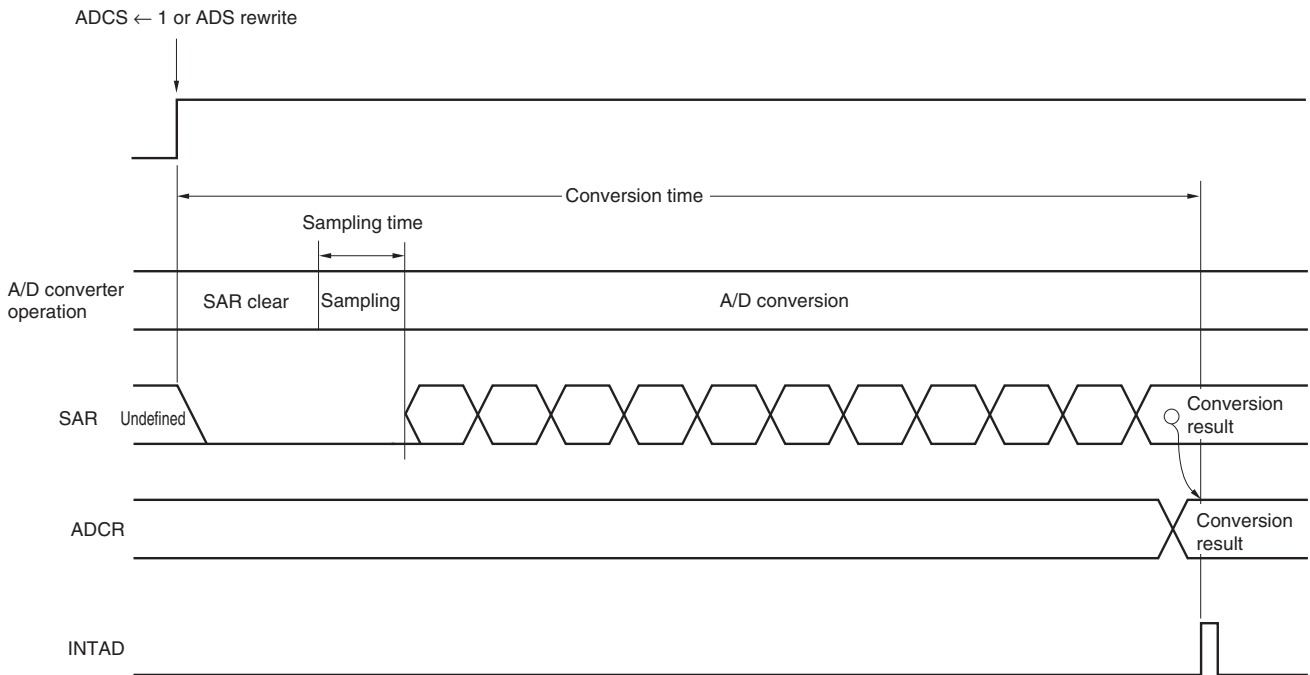
The voltage tap and sampled voltage are compared and bit 8 of the SAR register is manipulated as follows.

 - Sampled voltage \geq Voltage tap: Bit 8 = 1
 - Sampled voltage $<$ Voltage tap: Bit 8 = 0
- <6> Comparison is continued in this way up to bit 0 of the SAR register.
- <7> Upon completion of the comparison of 10 bits, an effective digital result value remains in the SAR register, and the result value is transferred to the A/D conversion result register (ADCR, ADCRH) and then latched ^{Note 1}. At the same time, the A/D conversion end interrupt request (INTAD) can also be generated ^{Note 1}.
- <8> Repeat steps <1> to <7>, until the ADCS bit is cleared to 0 ^{Note 2}.
To stop the A/D converter, clear the ADCS bit to 0.

- Notes**
1. If the A/D conversion result is outside the range specified by using the A/D conversion result comparison function (the value specified by the ADRCK bit of the ADM2 register and ADUL/ADLL registers; see **Figure 12-8**), the A/D conversion end interrupt request signal (INTAD) is not generated and no A/D conversion results are stored in the ADCR and ADCRH registers.
 2. While in the sequential conversion mode, the ADCS flag is not automatically cleared to 0. This flag is not automatically cleared to 0 while in the one-shot conversion mode of the hardware trigger no-wait mode, either. Instead, 1 is retained.

- Remarks**
1. Two types of the A/D conversion result registers are available.
 - ADCR register (16 bits): Store 10-bit A/D conversion value
 - ADCRH register (8 bits): Store 8-bit A/D conversion value
 2. AV_{REF} : The + side reference voltage of the A/D converter. This can be selected from AV_{REFP} , the internal reference voltage (1.45 V), and V_{DD} .

Figure 12-18. Conversion Operation of A/D Converter (Software Trigger Mode)



A/D conversion operations are performed continuously until bit 7 (ADCS) of the A/D converter mode register (ADM) is reset (0) by software.

If a write operation is performed to the analog input channel specification register (ADS) during an A/D conversion operation, the conversion operation is initialized, and if the ADCS bit is set (1), conversion starts again from the beginning.

Reset signal generation clears the A/D conversion result register (ADCR, ADCRH) to 0000H or 00H.

12.5 Input Voltage and Conversion Results

The relationship between the analog input voltage input to the analog input pins (ANI0 to ANI23, ANI24 to ANI30) and the theoretical A/D conversion result (stored in the 10-bit A/D conversion result register (ADCR)) is shown by the following expression.

$$SAR = INT \left(\frac{V_{AIN}}{AV_{REF}} \times 1024 + 0.5 \right)$$

$$ADCR = SAR \times 64$$

or

$$\left(\frac{ADCR}{64} - 0.5 \right) \times \frac{AV_{REF}}{1024} \leq V_{AIN} < \left(\frac{ADCR}{64} + 0.5 \right) \times \frac{AV_{REF}}{1024}$$

where, INT (): Function which returns integer part of value in parentheses

V_{AIN}: Analog input voltage

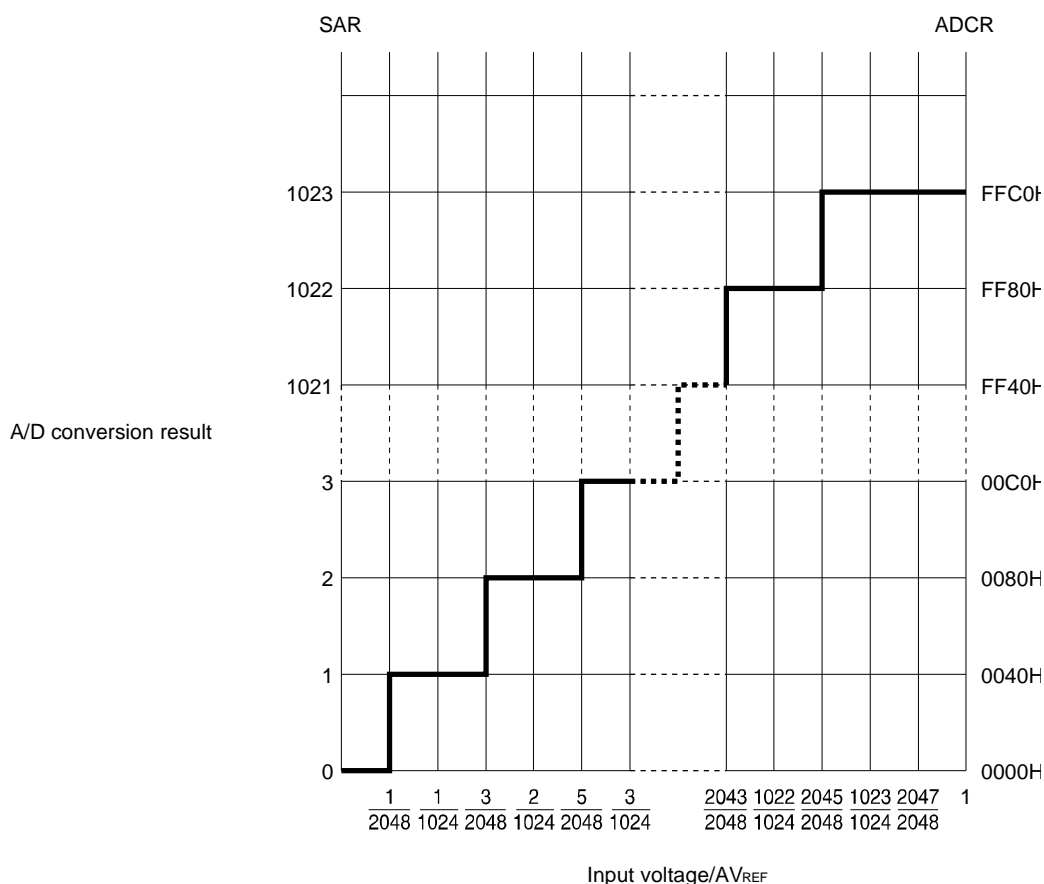
AV_{REF}: AV_{REF} pin voltage

ADCR: A/D conversion result register (ADCR) value

SAR: Successive approximation register

Figure 12-19 shows the relationship between the analog input voltage and the A/D conversion result.

Figure 12-19 Relationship Between Analog Input Voltage and A/D Conversion Result



Remark AV_{REF}: The + side reference voltage of the A/D converter. This can be selected from AV_{REFP}, the internal reference voltage (1.45 V), and V_{DD}.

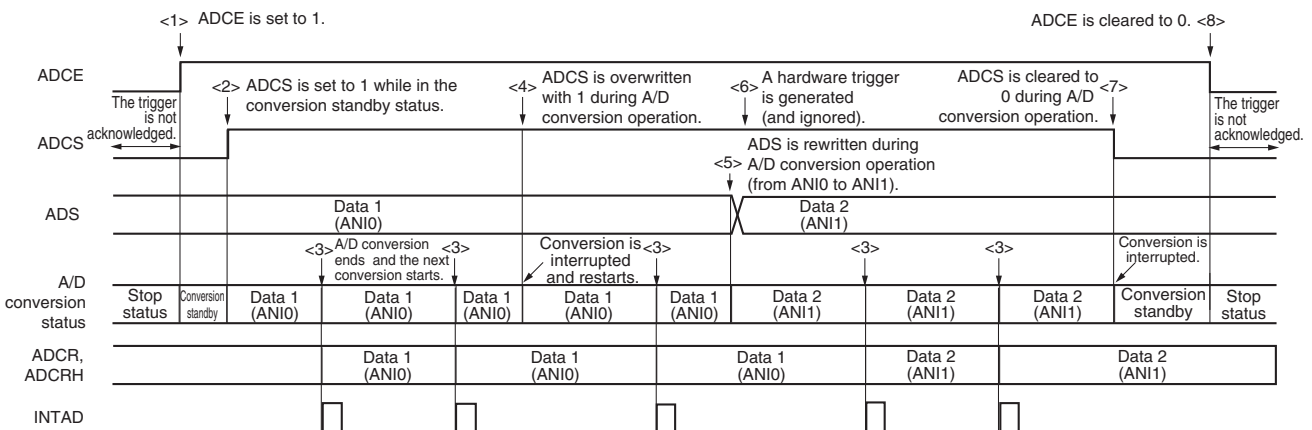
12.6 A/D Converter Operation Modes

The operation of each A/D converter mode is described below. In addition, the procedure for specifying each mode is described in 12.7 A/D Converter Setup Flowchart.

12.6.1 Software trigger mode (select mode, sequential conversion mode)

- <1> In the stop status, the ADCE bit of A/D converter mode register 0 (ADM0) is set to 1, and the system enters the A/D conversion standby status.
- <2> After the software counts up to the stabilization wait time (1 μs), the ADCS bit of the ADM0 register is set to 1 to perform the A/D conversion of the analog input specified by the analog input channel specification register (ADS).
- <3> When A/D conversion ends, the conversion result is stored in the A/D conversion result register (ADCR, ADCRH), and the A/D conversion end interrupt request signal (INTAD) is generated. After A/D conversion ends, the next A/D conversion immediately starts.
- <4> When ADCS is overwritten with 1 during conversion operation, the current A/D conversion is interrupted, and conversion restarts. The partially converted data is discarded.
- <5> When the value of the ADS register is rewritten or overwritten during conversion operation, the current A/D conversion is interrupted, and A/D conversion is performed on the analog input respecified by the ADS register. The partially converted data is discarded.
- <6> Even if a hardware trigger is input during conversion operation, A/D conversion does not start.
- <7> When ADCS is cleared to 0 during conversion operation, the current A/D conversion is interrupted, and the system enters the A/D conversion standby status.
- <8> When ADCE is cleared to 0 while in the A/D conversion standby status, the A/D converter enters the stop status. When ADCE = 0, specifying 1 for ADCS is ignored and A/D conversion does not start.

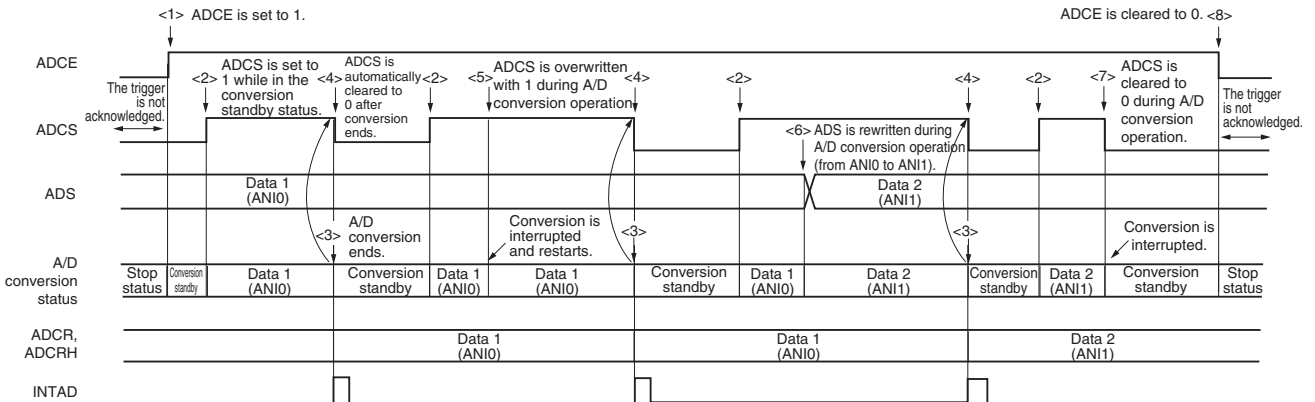
Figure 12-20. Example of Software Trigger Mode (Select Mode, Sequential Conversion Mode) Operation Timing



12.6.2 Software trigger mode (select mode, one-shot conversion mode)

- <1> In the stop status, the ADCE bit of A/D converter mode register 0 (ADM0) is set to 1, and the system enters the A/D conversion standby status.
- <2> After the software counts up to the stabilization wait time (1 μs), the ADCS bit of the ADM0 register is set to 1 to perform the A/D conversion of the analog input specified by the analog input channel specification register (ADS).
- <3> When A/D conversion ends, the conversion result is stored in the A/D conversion result register (ADCR, ADCRH), and the A/D conversion end interrupt request signal (INTAD) is generated.
- <4> After A/D conversion ends, the ADCS bit is automatically cleared to 0, and the system enters the A/D conversion standby status.
- <5> When ADCS is overwritten with 1 during conversion operation, the current A/D conversion is interrupted, and conversion restarts. The partially converted data is discarded.
- <6> When the value of the ADS register is rewritten or overwritten during conversion operation, the current A/D conversion is interrupted, and A/D conversion is performed on the analog input respecified by the ADS register. The partially converted data is discarded.
- <7> When ADCS is cleared to 0 during conversion operation, the current A/D conversion is interrupted, and the system enters the A/D conversion standby status.
- <8> When ADCE is cleared to 0 while in the A/D conversion standby status, the A/D converter enters the stop status. When ADCE = 0, specifying 1 for ADCS is ignored and A/D conversion does not start. In addition, A/D conversion does not start even if a hardware trigger is input while in the A/D conversion standby status.

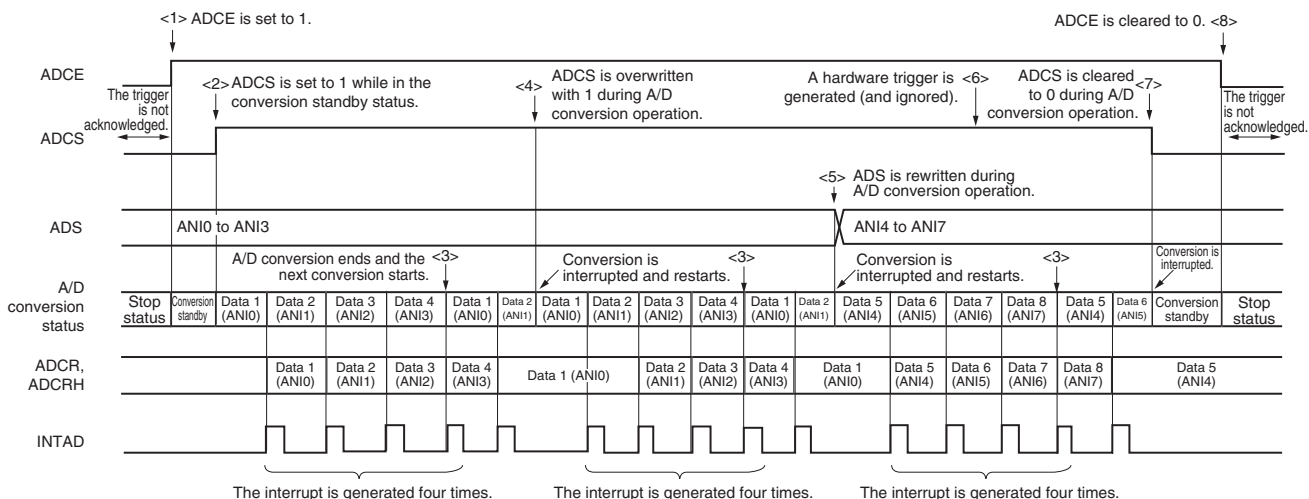
Figure 12-21. Example of Software Trigger Mode (Select Mode, One-Shot Conversion Mode) Operation Timing



12.6.3 Software trigger mode (scan mode, sequential conversion mode)

- <1> In the stop status, the ADCE bit of A/D converter mode register 0 (ADM0) is set to 1, and the system enters the A/D conversion standby status.
- <2> After the software counts up to the stabilization wait time (1 μs), the ADCS bit of the ADM0 register is set to 1 to perform A/D conversion on the four analog input channels specified by scan 0 to scan 3, which are specified by the analog input channel specification register (ADS). A/D conversion is performed on the analog input channels in order, starting with that specified by scan 0.
- <3> A/D conversion is sequentially performed on the four analog input channels, the conversion results are stored in the A/D conversion result register (ADCR, ADCRH) each time conversion ends, and the A/D conversion end interrupt request signal (INTAD) is generated. After A/D conversion of the four channels ends, the A/D conversion of the channel following the specified channel automatically starts (until all four channels are finished).
- <4> When ADCS is overwritten with 1 during conversion operation, the current A/D conversion is interrupted, and conversion restarts at the first channel. The partially converted data is discarded.
- <5> When the value of the ADS register is rewritten or overwritten during conversion operation, the current A/D conversion is interrupted, and A/D conversion is performed on the first channel respecified by the ADS register. The partially converted data is discarded.
- <6> Even if a hardware trigger is input during conversion operation, A/D conversion does not start.
- <7> When ADCS is cleared to 0 during conversion operation, the current A/D conversion is interrupted, and the system enters the A/D conversion standby status.
- <8> When ADCE is cleared to 0 while in the A/D conversion standby status, the A/D converter enters the stop status. When ADCE = 0, specifying 1 for ADCS is ignored and A/D conversion does not start.

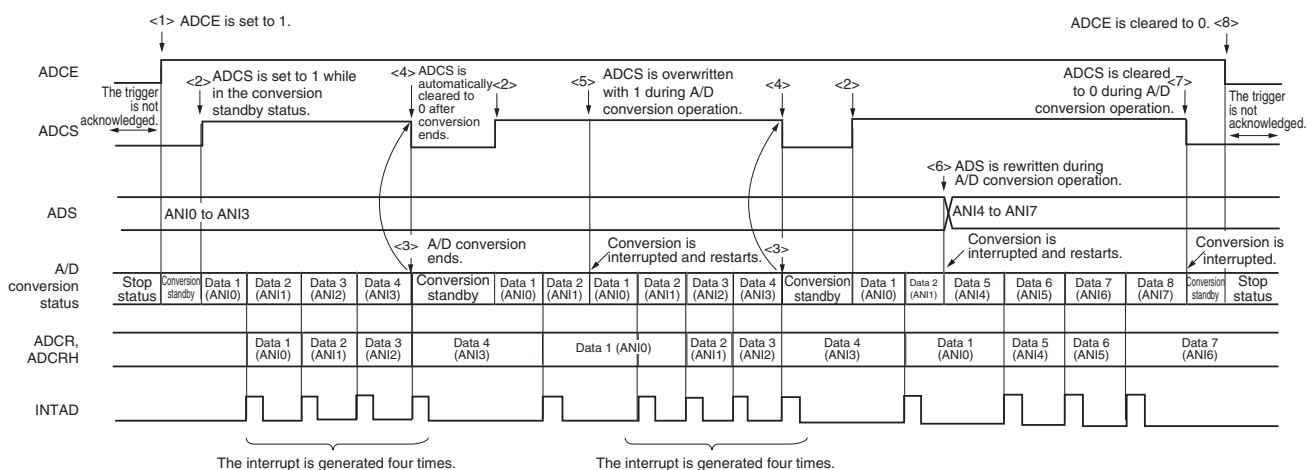
Figure 12-22. Example of Software Trigger Mode (Scan Mode, Sequential Conversion Mode) Operation Timing



12.6.4 Software trigger mode (scan mode, one-shot conversion mode)

- <1> In the stop status, the ADCE bit of A/D converter mode register 0 (ADM0) is set to 1, and the system enters the A/D conversion standby status.
- <2> After the software counts up to the stabilization wait time (1 μ s), the ADCS bit of the ADM0 register is set to 1 to perform A/D conversion on the four analog input channels specified by scan 0 to scan 3, which are specified by the analog input channel specification register (ADS). A/D conversion is performed on the analog input channels in order, starting with that specified by scan 0.
- <3> A/D conversion is sequentially performed on the four analog input channels, the conversion results are stored in the A/D conversion result register (ADCR, ADCRH) each time conversion ends, and the A/D conversion end interrupt request signal (INTAD) is generated.
- <4> After A/D conversion of the four channels ends, the ADCS bit is automatically cleared to 0, and the system enters the A/D conversion standby status.
- <5> When ADCS is overwritten with 1 during conversion operation, the current A/D conversion is interrupted, and conversion restarts at the first channel. The partially converted data is discarded.
- <6> When the value of the ADS register is rewritten or overwritten during conversion operation, the current A/D conversion is interrupted, and A/D conversion is performed on the first channel respecified by the ADS register. The partially converted data is discarded.
- <7> When ADCS is cleared to 0 during conversion operation, the current A/D conversion is interrupted, and the system enters the A/D conversion standby status.
- <8> When ADCE is cleared to 0 while in the A/D conversion standby status, the A/D converter enters the stop status. When ADCE = 0, specifying 1 for ADCS is ignored and A/D conversion does not start. In addition, A/D conversion does not start even if a hardware trigger is input while in the A/D conversion standby status.

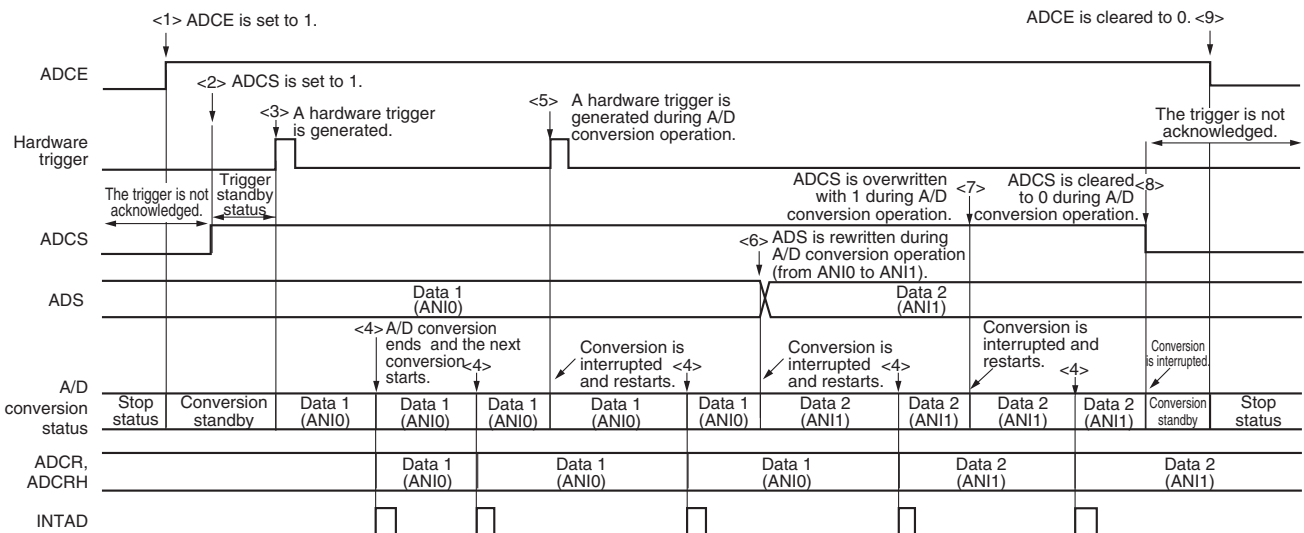
Figure 12-23. Example of Software Trigger Mode (Scan Mode, One-Shot Conversion Mode) Operation Timing



12.6.5 Hardware trigger no-wait mode (select mode, sequential conversion mode)

- <1> In the stop status, the ADCE bit of A/D converter mode register 0 (ADM0) is set to 1, and the system enters the A/D conversion standby status.
- <2> After the software counts up to the stabilization wait time (1 μs), the ADCS bit of the ADM0 register is set to 1 to place the system in the hardware trigger standby status (and conversion does not start at this stage). Note that, while in this status, A/D conversion does not start even if ADCS is set to 1.
- <3> If a hardware trigger is input while ADCS = 1, A/D conversion is performed on the analog input specified by the analog input channel specification register (ADS).
- <4> When A/D conversion ends, the conversion result is stored in the A/D conversion result register (ADCR, ADCRH), and the A/D conversion end interrupt request signal (INTAD) is generated. After A/D conversion ends, the next A/D conversion immediately starts.
- <5> If a hardware trigger is input during conversion operation, the current A/D conversion is interrupted, and conversion restarts. The partially converted data is discarded.
- <6> When the value of the ADS register is rewritten or overwritten during conversion operation, the current A/D conversion is interrupted, and A/D conversion is performed on the analog input respecified by the ADS register. The partially converted data is discarded.
- <7> When ADCS is overwritten with 1 during conversion operation, the current A/D conversion is interrupted, and conversion restarts. The partially converted data is discarded.
- <8> When ADCS is cleared to 0 during conversion operation, the current A/D conversion is interrupted, and the system enters the A/D conversion standby status. However, the A/D converter does not stop in this status.
- <9> When ADCE is cleared to 0 while in the A/D conversion standby status, the A/D converter enters the stop status. When ADCS = 0, inputting a hardware trigger is ignored and A/D conversion does not start.

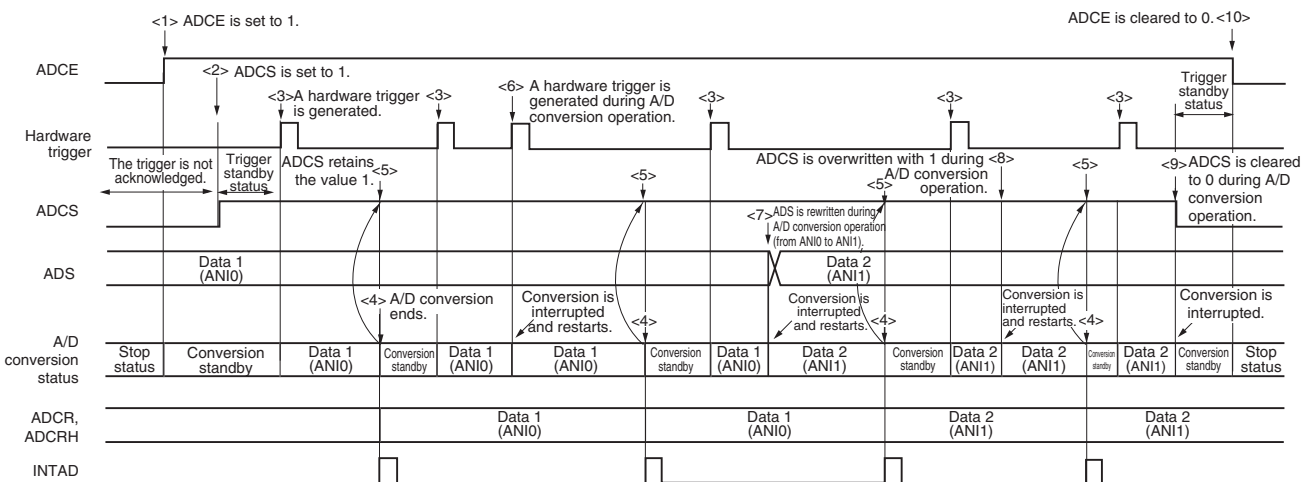
Figure 12-24. Example of Hardware Trigger No-Wait Mode (Select Mode, Sequential Conversion Mode) Operation Timing



12.6.6 Hardware trigger no-wait mode (select mode, one-shot conversion mode)

- <1> In the stop status, the ADCE bit of A/D converter mode register 0 (ADM0) is set to 1, and the system enters the A/D conversion standby status.
- <2> After the software counts up to the stabilization wait time (1 μs), the ADCS bit of the ADM0 register is set to 1 to place the system in the hardware trigger standby status (and conversion does not start at this stage). Note that, while in this status, A/D conversion does not start even if ADCS is set to 1.
- <3> If a hardware trigger is input while ADCS = 1, A/D conversion is performed on the analog input specified by the analog input channel specification register (ADS).
- <4> When A/D conversion ends, the conversion result is stored in the A/D conversion result register (ADCR, ADCRH), and the A/D conversion end interrupt request signal (INTAD) is generated.
- <5> After A/D conversion ends, the ADCS bit remains set to 1, and the system enters the A/D conversion standby status.
- <6> If a hardware trigger is input during conversion operation, the current A/D conversion is interrupted, and conversion restarts. The partially converted data is discarded.
- <7> When the value of the ADS register is rewritten or overwritten during conversion operation, the current A/D conversion is interrupted, and A/D conversion is performed on the analog input respecified by the ADS register. The partially converted data is discarded.
- <8> When ADCS is overwritten with 1 during conversion operation, the current A/D conversion is interrupted, and conversion restarts. The partially converted data is discarded.
- <9> When ADCS is cleared to 0 during conversion operation, the current A/D conversion is interrupted, and the system enters the A/D conversion standby status. However, the A/D converter does not stop in this status.
- <10> When ADCE is cleared to 0 while in the A/D conversion standby status, the A/D converter enters the stop status. When ADCS = 0, inputting a hardware trigger is ignored and A/D conversion does not start.

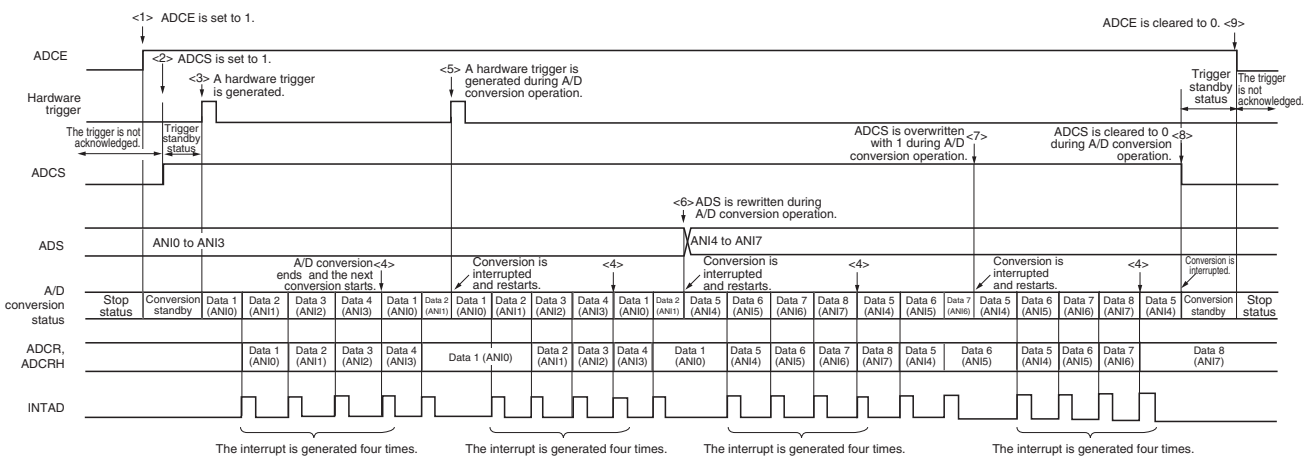
Figure 12-25. Example of Hardware Trigger No-Wait Mode (Select Mode, One-Shot Conversion Mode) Operation Timing



12.6.7 Hardware trigger no-wait mode (scan mode, sequential conversion mode)

- <1> In the stop status, the ADCE bit of A/D converter mode register 0 (ADM0) is set to 1, and the system enters the A/D conversion standby status.
- <2> After the software counts up to the stabilization wait time (1 μs), the ADCS bit of the ADM0 register is set to 1 to place the system in the hardware trigger standby status (and conversion does not start at this stage). Note that, while in this status, A/D conversion does not start even if ADCS is set to 1.
- <3> If a hardware trigger is input while ADCS = 1, A/D conversion is performed on the four analog input channels specified by scan 0 to scan 3, which are specified by the analog input channel specification register (ADS). A/D conversion is performed on the analog input channels in order, starting with that specified by scan 0.
- <4> A/D conversion is sequentially performed on the four analog input channels, the conversion results are stored in the A/D conversion result register (ADCR, ADCRH) each time conversion ends, and the A/D conversion end interrupt request signal (INTAD) is generated. After A/D conversion of the four channels ends, the A/D conversion of the channel following the specified channel automatically starts.
- <5> If a hardware trigger is input during conversion operation, the current A/D conversion is interrupted, and conversion restarts at the first channel. The partially converted data is discarded.
- <6> When the value of the ADS register is rewritten or overwritten during conversion operation, the current A/D conversion is interrupted, and A/D conversion is performed on the first channel respecified by the ADS register. The partially converted data is discarded.
- <7> When ADCS is overwritten with 1 during conversion operation, the current A/D conversion is interrupted, and conversion restarts. The partially converted data is discarded.
- <8> When ADCS is cleared to 0 during conversion operation, the current A/D conversion is interrupted, and the system enters the A/D conversion standby status. However, the A/D converter does not stop in this status.
- <9> When ADCE is cleared to 0 while in the A/D conversion standby status, the A/D converter enters the stop status. When ADCE = 0, specifying 1 for ADCS is ignored and A/D conversion does not start.

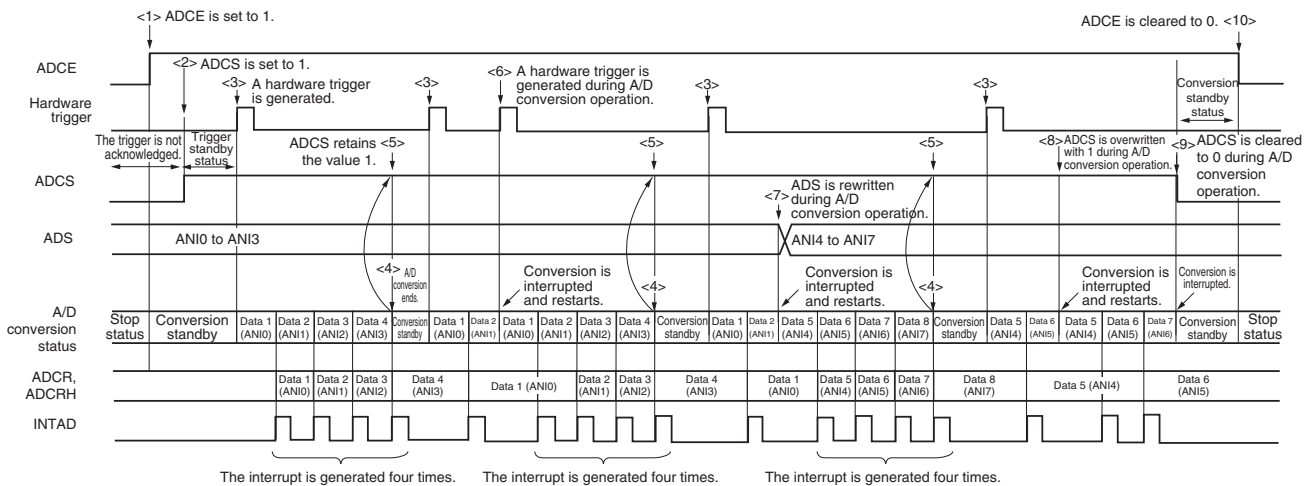
Figure 12-26. Example of Hardware Trigger No-Wait Mode (Scan Mode, Sequential Conversion Mode) Operation Timing



12.6.8 Hardware trigger no-wait mode (scan mode, one-shot conversion mode)

- <1> In the stop status, the ADCE bit of A/D converter mode register 0 (ADM0) is set to 1, and the system enters the A/D conversion standby status.
- <2> After the software counts up to the stabilization wait time (1 μs), the ADCS bit of the ADM0 register is set to 1 to place the system in the hardware trigger standby status (and conversion does not start at this stage). Note that, while in this status, A/D conversion does not start even if ADCS is set to 1.
- <3> If a hardware trigger is input while ADCS = 1, A/D conversion is performed on the four analog input channels specified by scan 0 to scan 3, which are specified by the analog input channel specification register (ADS). A/D conversion is performed on the analog input channels in order, starting with that specified by scan 0.
- <4> A/D conversion is sequentially performed on the four analog input channels, the conversion results are stored in the A/D conversion result register (ADCR, ADCRH) each time conversion ends, and the A/D conversion end interrupt request signal (INTAD) is generated.
- <5> After A/D conversion of the four channels ends, the ADCS bit remains set to 1, and the system enters the A/D conversion standby status.
- <6> If a hardware trigger is input during conversion operation, the current A/D conversion is interrupted, and conversion restarts at the first channel. The partially converted data is discarded.
- <7> When the value of the ADS register is rewritten or overwritten during conversion operation, the current A/D conversion is interrupted, and A/D conversion is performed on the first channel respecified by the ADS register. The partially converted data is discarded.
- <8> When ADCS is overwritten with 1 during conversion operation, the current A/D conversion is interrupted, and conversion restarts at the first channel. The partially converted data is discarded.
- <9> When ADCS is cleared to 0 during conversion operation, the current A/D conversion is interrupted, and the system enters the A/D conversion standby status. However, the A/D converter does not stop in this status.
- <10> When ADCE is cleared to 0 while in the A/D conversion standby status, the A/D converter enters the stop status. When ADCS = 0, inputting a hardware trigger is ignored and A/D conversion does not start.

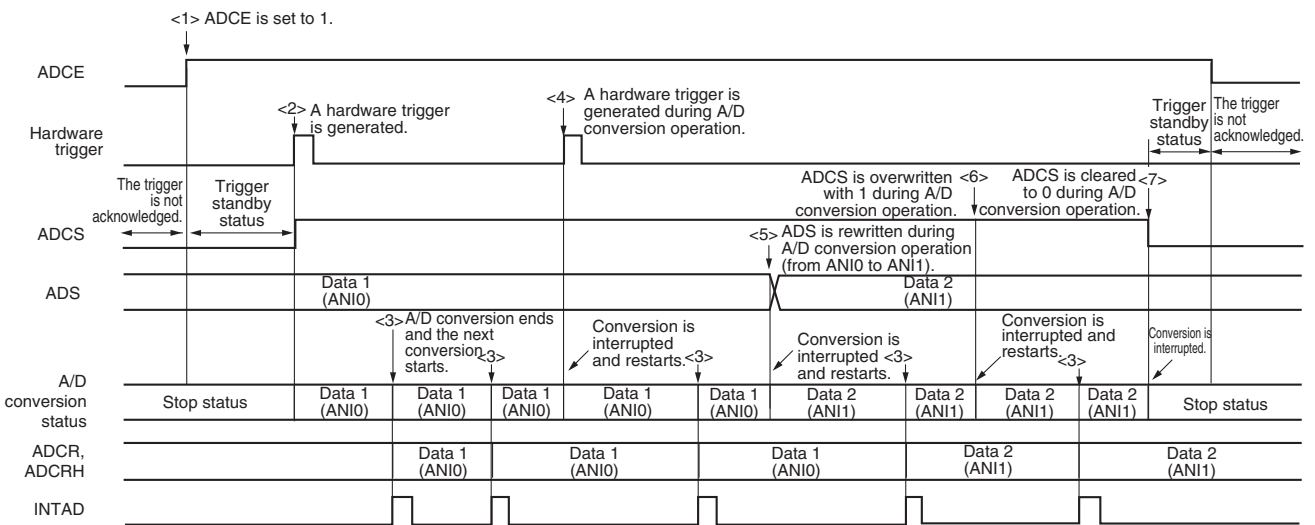
Figure 12-27. Example of Hardware Trigger No-Wait Mode (Scan Mode, One-Shot Conversion Mode) Operation Timing



12.6.9 Hardware trigger wait mode (select mode, sequential conversion mode)

- <1> In the stop status, the ADCE bit of A/D converter mode register 0 (ADM0) is set to 1, and the system enters the hardware trigger standby status.
- <2> If a hardware trigger is input while in the hardware trigger standby status, A/D conversion is performed on the analog input specified by the analog input channel specification register (ADS). The ADCS bit of the ADM0 register is automatically set to 1 according to the hardware trigger input.
- <3> When A/D conversion ends, the conversion result is stored in the A/D conversion result register (ADCR, ADCRH), and the A/D conversion end interrupt request signal (INTAD) is generated. After A/D conversion ends, the next A/D conversion immediately starts. (At this time, no hardware trigger is necessary.)
- <4> If a hardware trigger is input during conversion operation, the current A/D conversion is interrupted, and conversion restarts. The partially converted data is discarded.
- <5> When the value of the ADS register is rewritten or overwritten during conversion operation, the current A/D conversion is interrupted, and A/D conversion is performed on the analog input respecified by the ADS register. The partially converted data is discarded.
- <6> When ADCS is overwritten with 1 during conversion operation, the current A/D conversion is interrupted, and conversion restarts. The partially converted data is discarded.
- <7> When ADCS is cleared to 0 during conversion operation, the current A/D conversion is interrupted, the system enters the hardware trigger standby status, and the A/D converter enters the stop status. When ADCE = 0, inputting a hardware trigger is ignored and A/D conversion does not start.

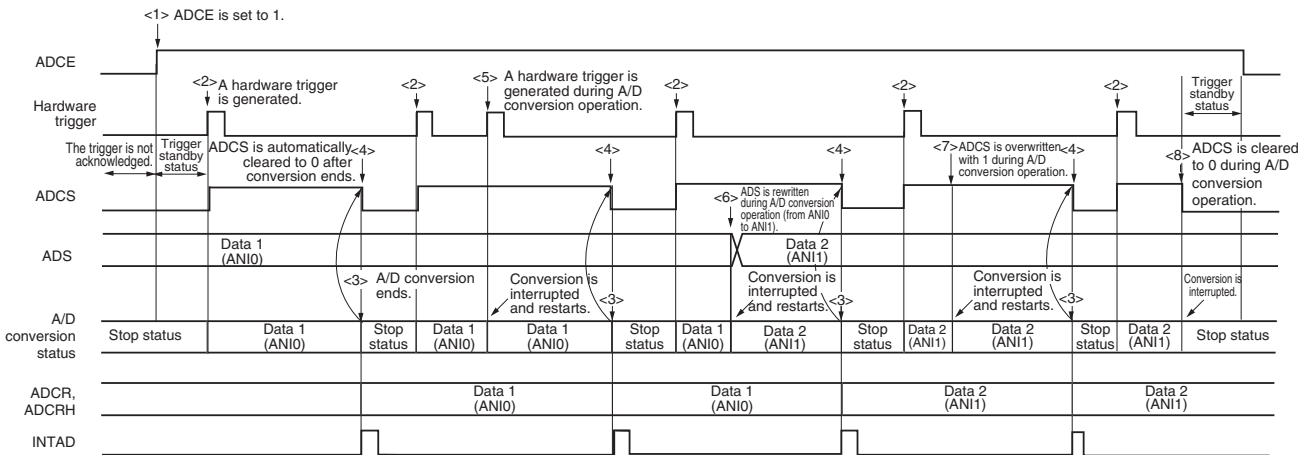
Figure 12-28. Example of Hardware Trigger Wait Mode (Select Mode, Sequential Conversion Mode) Operation Timing



12.6.10 Hardware trigger wait mode (select mode, one-shot conversion mode)

- <1> In the stop status, the ADCE bit of A/D converter mode register 0 (ADM0) is set to 1, and the system enters the hardware trigger standby status.
- <2> If a hardware trigger is input while in the hardware trigger standby status, A/D conversion is performed on the analog input specified by the analog input channel specification register (ADS). The ADCS bit of the ADM0 register is automatically set to 1 according to the hardware trigger input.
- <3> When A/D conversion ends, the conversion result is stored in the A/D conversion result register (ADCR, ADCRH), and the A/D conversion end interrupt request signal (INTAD) is generated.
- <4> After A/D conversion ends, the ADCS bit is automatically cleared to 0, and the A/D converter enters the stop status.
- <5> If a hardware trigger is input during conversion operation, the current A/D conversion is interrupted, and conversion restarts. The partially converted data is discarded.
- <6> When the value of the ADS register is rewritten or overwritten during conversion operation, the current A/D conversion is interrupted, and A/D conversion is performed on the analog input respecified by the ADS register. The partially converted data is discarded.
- <7> When ADCS is overwritten with 1 during conversion operation, the current A/D conversion is interrupted, and conversion restarts. The partially converted data is initialized.
- <8> When ADCS is cleared to 0 during conversion operation, the current A/D conversion is interrupted, the system enters the hardware trigger standby status, and the A/D converter enters the stop status. When ADCE = 0, inputting a hardware trigger is ignored and A/D conversion does not start.

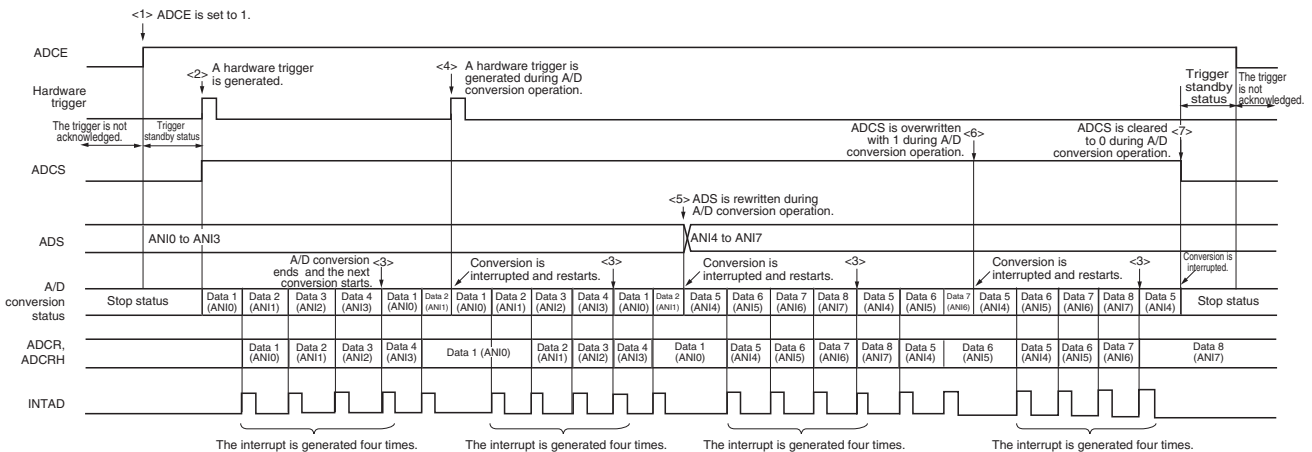
Figure 12-29. Example of Hardware Trigger Wait Mode (Select Mode, One-Shot Conversion Mode) Operation Timing



12.6.11 Hardware trigger wait mode (scan mode, sequential conversion mode)

- <1> In the stop status, the ADCE bit of A/D converter mode register 0 (ADM0) is set to 1, and the system enters the A/D conversion standby status.
- <2> If a hardware trigger is input while in the hardware trigger standby status, A/D conversion is performed on the four analog input channels specified by scan 0 to scan 3, which are specified by the analog input channel specification register (ADS). The ADCS bit of the ADM0 register is automatically set to 1 according to the hardware trigger input. A/D conversion is performed on the analog input channels in order, starting with that specified by scan 0.
- <3> A/D conversion is sequentially performed on the four analog input channels, the conversion results are stored in the A/D conversion result register (ADCR, ADCRH) each time conversion ends, and the A/D conversion end interrupt request signal (INTAD) is generated. After A/D conversion of the four channels ends, the A/D conversion of the channel following the specified channel automatically starts.
- <4> If a hardware trigger is input during conversion operation, the current A/D conversion is interrupted, and conversion restarts at the first channel. The partially converted data is discarded.
- <5> When the value of the ADS register is rewritten or overwritten during conversion operation, the current A/D conversion is interrupted, and A/D conversion is performed on the first channel respecified by the ADS register. The partially converted data is discarded.
- <6> When ADCS is overwritten with 1 during conversion operation, the current A/D conversion is interrupted, and conversion restarts. The partially converted data is discarded.
- <7> When ADCS is cleared to 0 during conversion operation, the current A/D conversion is interrupted, the system enters the hardware trigger standby status, and the A/D converter enters the stop status. When ADCE = 0, inputting a hardware trigger is ignored and A/D conversion does not start.

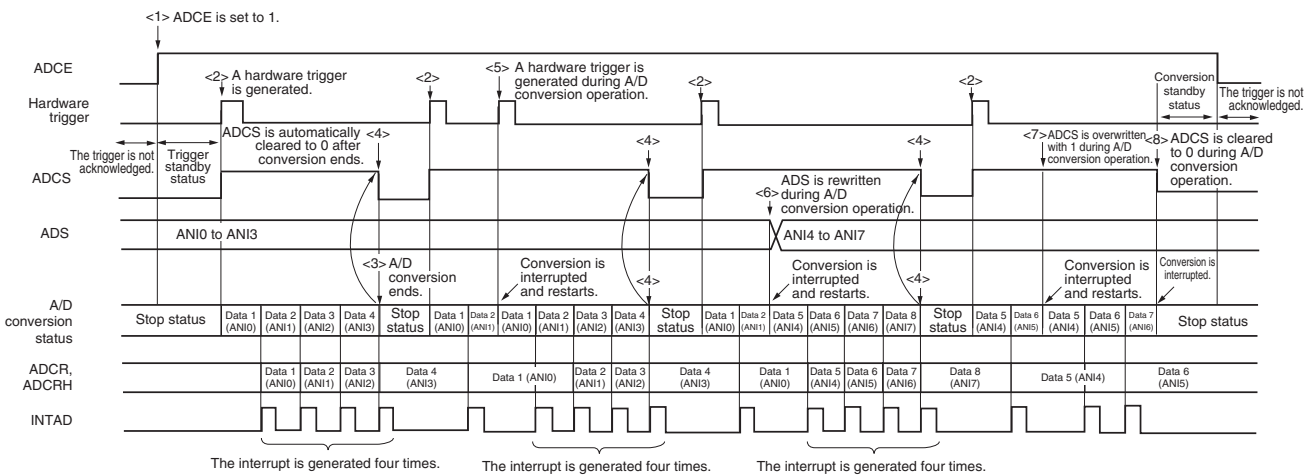
Figure 12-30. Example of Hardware Trigger Wait Mode (Scan Mode, Sequential Conversion Mode) Operation Timing



12.6.12 Hardware trigger wait mode (scan mode, one-shot conversion mode)

- <1> In the stop status, the ADCE bit of A/D converter mode register 0 (ADM0) is set to 1, and the system enters the A/D conversion standby status.
- <2> If a hardware trigger is input while in the hardware trigger standby status, A/D conversion is performed on the four analog input channels specified by scan 0 to scan 3, which are specified by the analog input channel specification register (ADS). The ADCS bit of the ADM0 register is automatically set to 1 according to the hardware trigger input. A/D conversion is performed on the analog input channels in order, starting with that specified by scan 0.
- <3> A/D conversion is sequentially performed on the four analog input channels, the conversion results are stored in the A/D conversion result register (ADCR, ADCRH) each time conversion ends, and the A/D conversion end interrupt request signal (INTAD) is generated.
- <4> After A/D conversion ends, the ADCS bit is automatically cleared to 0, and the A/D converter enters the stop status.
- <5> If a hardware trigger is input during conversion operation, the current A/D conversion is interrupted, and conversion restarts at the first channel. The partially converted data is discarded.
- <6> When the value of the ADS register is rewritten or overwritten during conversion operation, the current A/D conversion is interrupted, and A/D conversion is performed on the first channel respecified by the ADS register. The partially converted data is discarded.
- <7> When ADCS is overwritten with 1 during conversion operation, the current A/D conversion is interrupted, and conversion restarts. The partially converted data is discarded.
- <8> When ADCS is cleared to 0 during conversion operation, the current A/D conversion is interrupted, the system enters the hardware trigger standby status, and the A/D converter enters the stop status. When ADCE = 0, inputting a hardware trigger is ignored and A/D conversion does not start.

Figure 12-31. Example of Hardware Trigger Wait Mode (Scan Mode, One-Shot Conversion Mode) Operation Timing

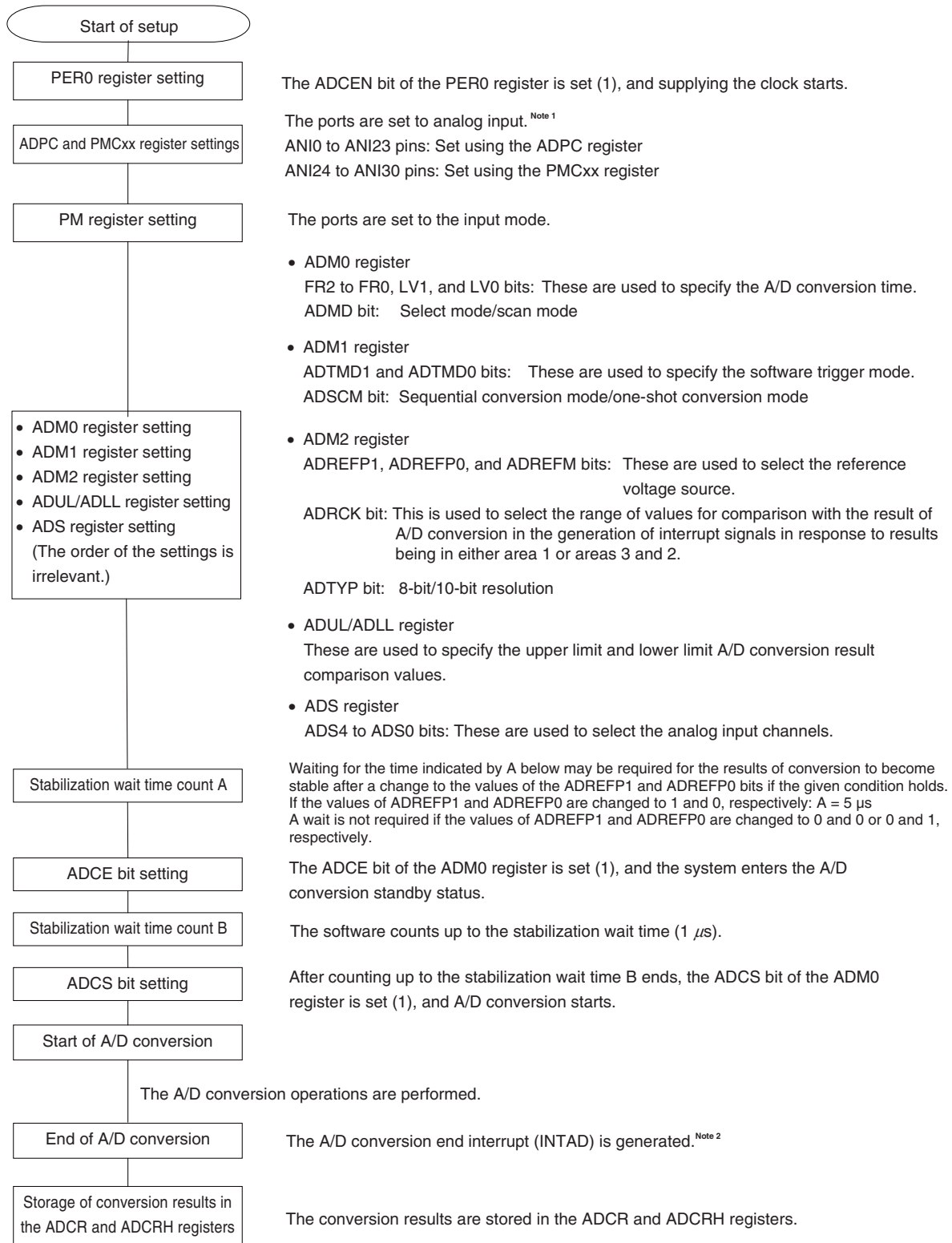


12.7 A/D Converter Setup Flowchart

The A/D converter setup flowchart in each operation mode is described below.

12.7.1 Setting up software trigger mode

Figure 12-32. Setting up Software Trigger Mode

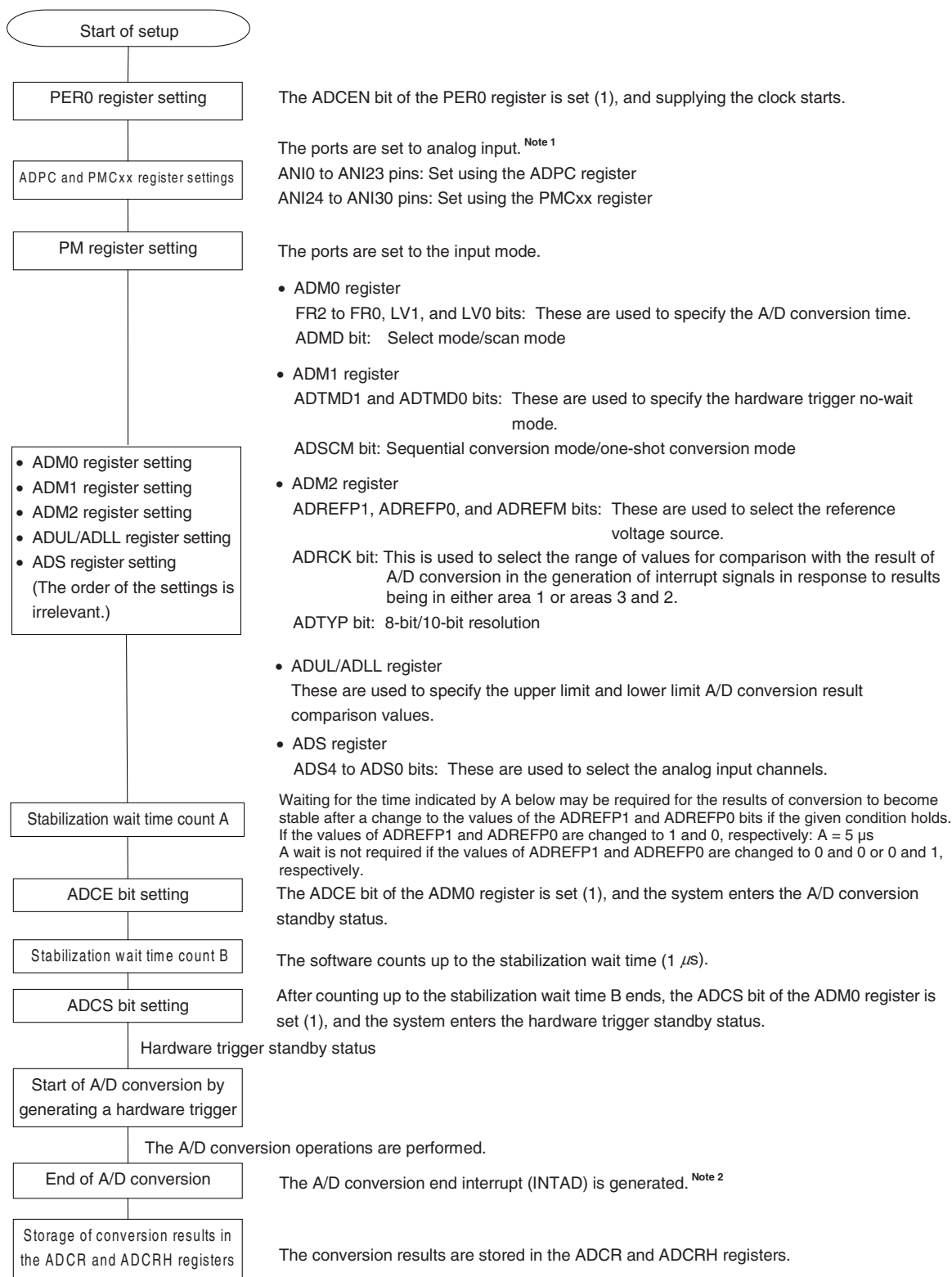


Notes 1. Depends on the products.

2. Depending on the settings of the ADRCK bit and ADUL/ADLL registers, there is a possibility of no interrupt signal being generated. In this case, the results are not stored in the ADCR and ADCRH registers.

12.7.2 Setting up hardware trigger no-wait mode

Figure 12-33. Setting up Hardware Trigger No-Wait Mode

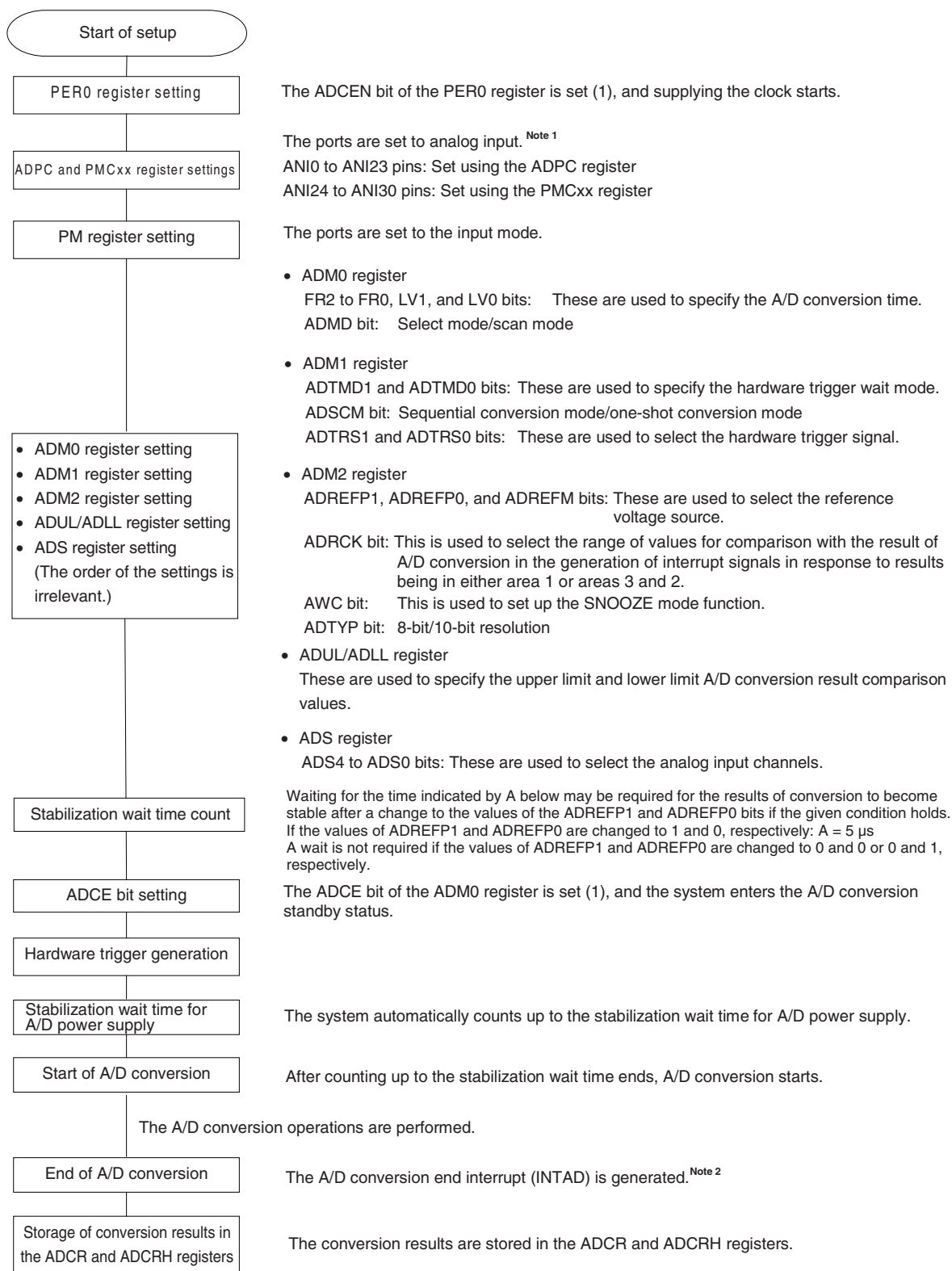


Notes 1. Depends on the products.

2. Depending on the settings of the ADRCK bit and ADUL/ADLL registers, there is a possibility of no interrupt signal being generated. In this case, the results are not stored in the ADCR and ADCRH registers.

12.7.3 Setting up hardware trigger wait mode

Figure 12-34. Setting up Hardware Trigger Wait Mode

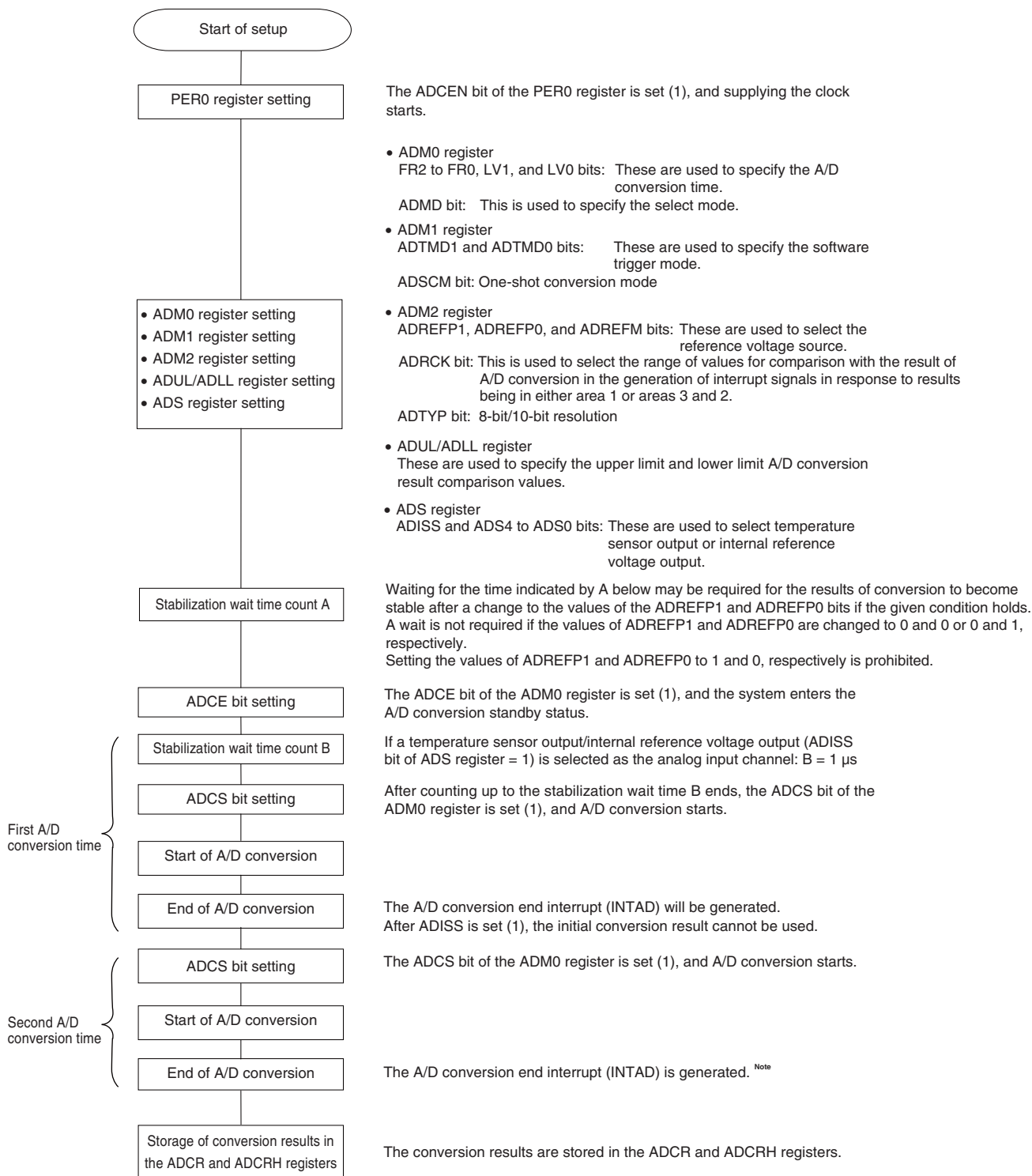


Notes 1. Depends on the products.

2. Depending on the settings of the ADRCK bit and ADUL/ADLL registers, there is a possibility of no interrupt signal being generated. In this case, the results are not stored in the ADCR and ADCRH registers.

12.7.4 Setup when using temperature sensor (example for software trigger mode and one-shot conversion mode)

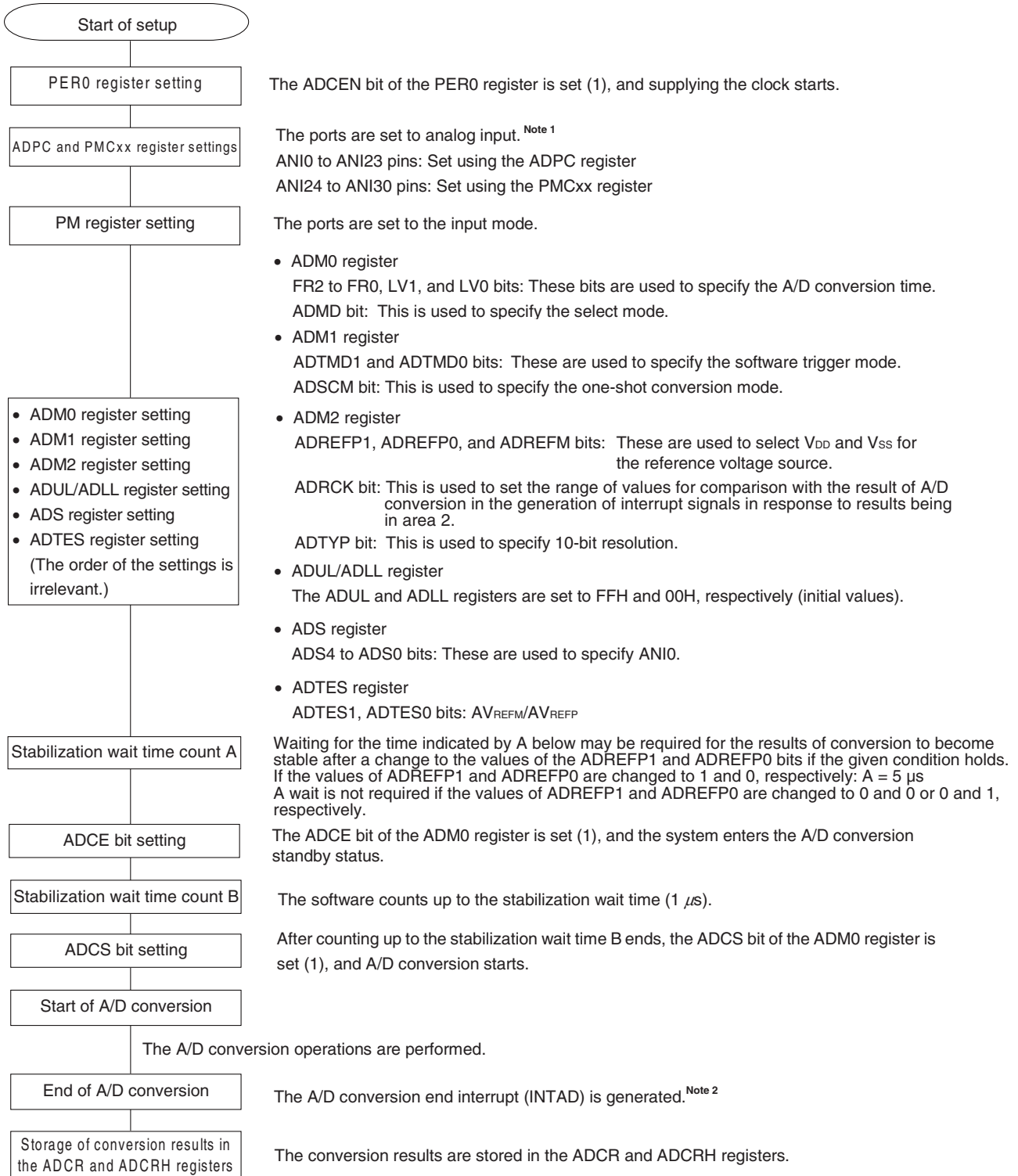
Figure 12-35. Setup When Using Temperature Sensor



Note Depending on the settings of the ADRCK bit and ADUL/ADLL registers, there is a possibility of no interrupt signal being generated. In this case, the results are not stored in the ADCR and ADCRH registers.

12.7.5 Setting up test mode

Figure 12-36. Setting up Test Trigger Mode



- Notes**
1. Depends on the products.
 2. Depending on the settings of the ADRCK bit and ADUL/ADLL registers, there is a possibility of no interrupt signal being generated. In this case, the results are not stored in the ADCR and ADCRH registers.

12.8 SNOOZE Mode Function

In the SNOOZE mode, A/D conversion is triggered by inputting a hardware trigger in the STOP mode. Normally, A/D conversion is stopped while in the STOP mode, but, by using the SNOOZE mode, A/D conversion can be performed without operating the CPU by inputting a hardware trigger. This is effective for reducing the operation current.

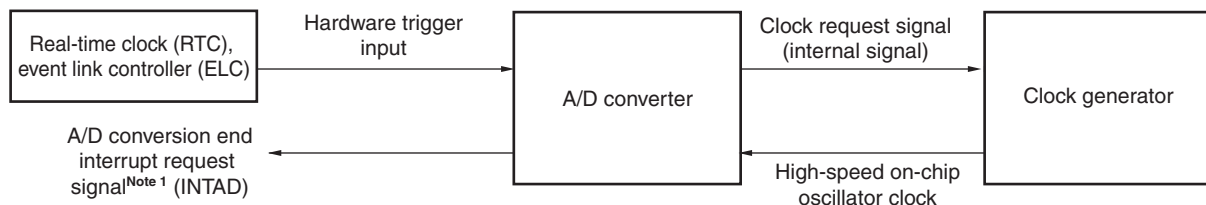
If the A/D conversion result range is specified using the ADUL and ADLL registers, A/D conversion results can be judged at a certain interval of time in SNOOZE mode. Using this function enables power supply voltage monitoring and input key judgment based on A/D inputs.

In the SNOOZE mode, only the following two conversion modes can be used:

- Hardware trigger wait mode (select mode, one-shot conversion mode)
- Hardware trigger wait mode (scan mode, one-shot conversion mode)

Caution The SNOOZE mode can only be specified when the high-speed on-chip oscillator clock is selected for f_{CLK}.

Figure 12-37. Block Diagram When Using SNOOZE Mode Function



When using the SNOOZE mode function, the initial setting of each register is specified before switching to the STOP mode. (For details about these settings, see **12.7.3 Setting up hardware trigger wait mode**^{Note 2}.) At this time, bit 2 (AWC) of A/D converter mode register 2 (ADM2) is set to 1. After the initial settings are specified, bit 0 (ADCE) of A/D converter mode register 0 (ADM0) is set to 1.

If a hardware trigger is input after switching to the STOP mode, the high-speed on-chip oscillator clock is supplied to the A/D converter. After supplying this clock, the system automatically counts up to the stabilization wait time, and then A/D conversion starts.

The SNOOZE mode operation after A/D conversion ends differs depending on whether an interrupt signal is generated^{Note 1}.

- Notes**
1. Depending on the setting of the A/D conversion result comparison function (ADRCK bit, ADUL/ADLL register), there is a possibility of no interrupt signal being generated.
 2. Be sure to set the ADM1 register to E2H, or E3H.

Remark The hardware trigger is event selected by ELC, INTRTC, or INTTM01.
Specify the hardware trigger by using the A/D converter mode register 1 (ADM1).

12.8.1 If an interrupt is generated after A/D conversion ends

If the A/D conversion result value is inside the range of values specified by the A/D conversion result comparison function (which is set up by using the ADRCK bit and ADUL/ADLL register), the A/D conversion end interrupt request signal (INTAD) is generated.

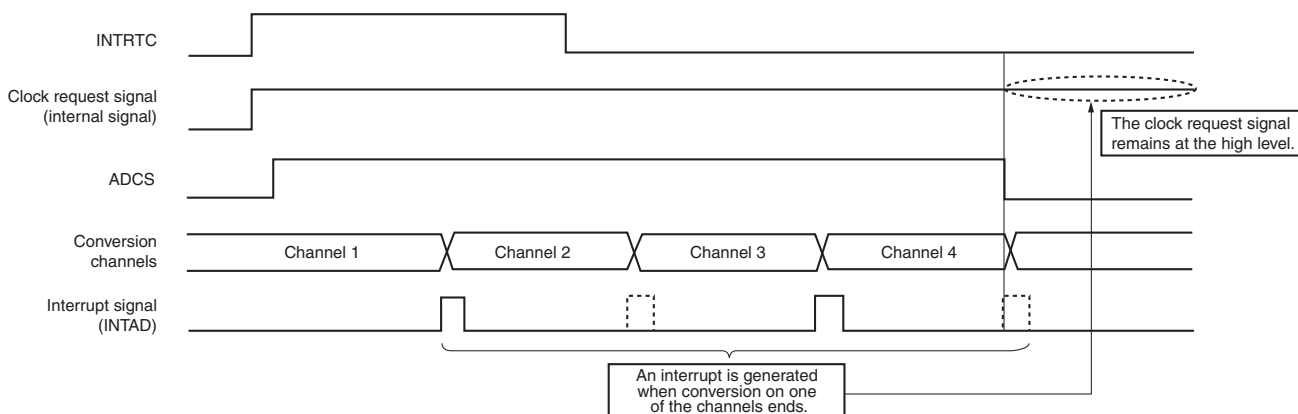
- While in the select mode

When A/D conversion ends and an A/D conversion end interrupt request signal (INTAD) is generated, the A/D converter returns to normal operation mode from SNOOZE mode. At this time, be sure to clear bit 2 (AWC = 0: SNOOZE mode release) of the A/D converter mode register 2 (ADM2). If the AWC bit is left set to 1, A/D conversion will not start normally in the subsequent SNOOZE or normal operation mode.

- While in the scan mode

If even one A/D conversion end interrupt request signal (INTAD) is generated during A/D conversion of the four channels, the A/D converter switches from the SNOOZE mode to the normal operation mode. At this time, be sure to clear bit 2 (AWC = 0: SNOOZE mode release) of the A/D converter mode register 2 (ADM2). If the AWC bit is left set to 1, A/D conversion will not start normally in the subsequent SNOOZE or normal operation mode.

Figure 12-38. Operation Example When Interrupt Is Generated After A/D Conversion Ends (While in Scan Mode)



12.8.2 If no interrupt is generated after A/D conversion ends

If the A/D conversion result value is outside the range of values specified by the A/D conversion result comparison function (which is set up by using the ADRCK bit and ADUL/ADLL register), the A/D conversion end interrupt request signal (INTAD) is not generated.

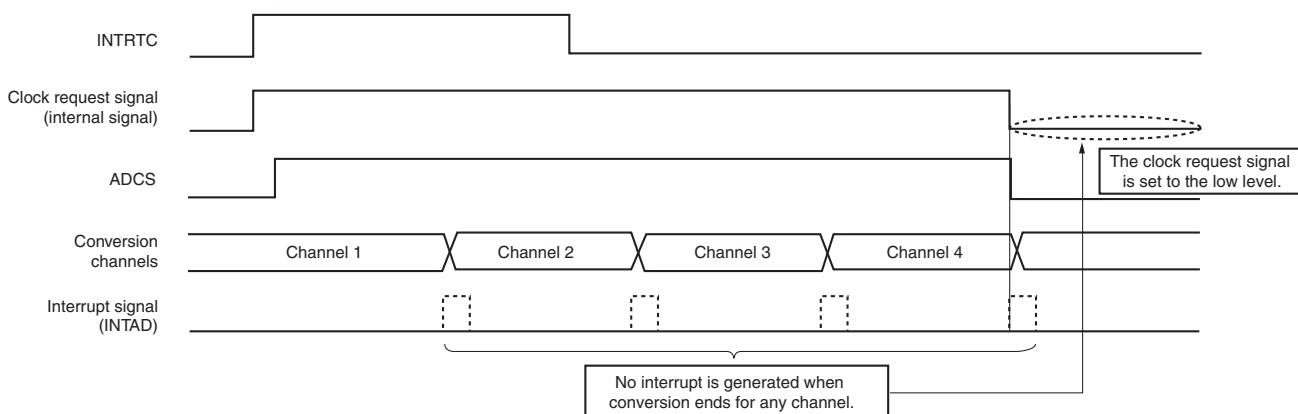
- While in the select mode

If the A/D conversion end interrupt request signal (INTAD) is not generated after A/D conversion ends, the clock request signal (an internal signal) is automatically set to the low level, and supplying the high-speed on-chip oscillator clock stops. If a hardware trigger is input later, A/D conversion work is again performed in the SNOOZE mode.

- While in the scan mode

If the A/D conversion end interrupt request signal (INTAD) is not generated even once during A/D conversion of the four channels, the clock request signal (an internal signal) is automatically set to the low level after A/D conversion of the four channels ends, and supplying the high-speed on-chip oscillator clock stops. If a hardware trigger is input later, A/D conversion work is again performed in the SNOOZE mode.

Figure 12-39. Operation Example When No Interrupt Is Generated After A/D Conversion Ends (While in Scan Mode)



12.9 How to Read A/D Converter Characteristics Table

Here, special terms unique to the A/D converter are explained.

(1) Resolution

This is the minimum analog input voltage that can be identified. That is, the percentage of the analog input voltage per bit of digital output is called 1LSB (Least Significant Bit). The percentage of 1LSB with respect to the full scale is expressed by %FSR (Full Scale Range).

1LSB is as follows when the resolution is 10 bits.

$$1\text{LSB} = 1/2^{10} = 1/1024$$

$$= 0.098\%\text{FSR}$$

Accuracy has no relation to resolution, but is determined by overall error.

(2) Overall error

This shows the maximum error value between the actual measured value and the theoretical value.

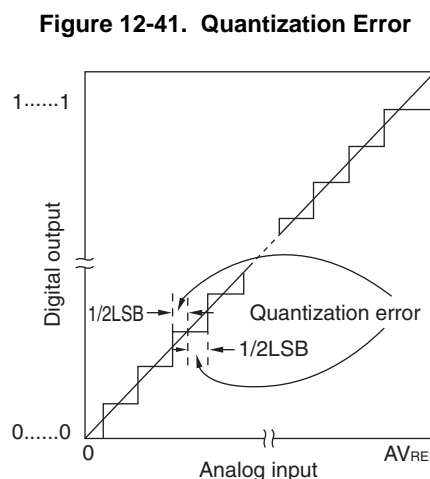
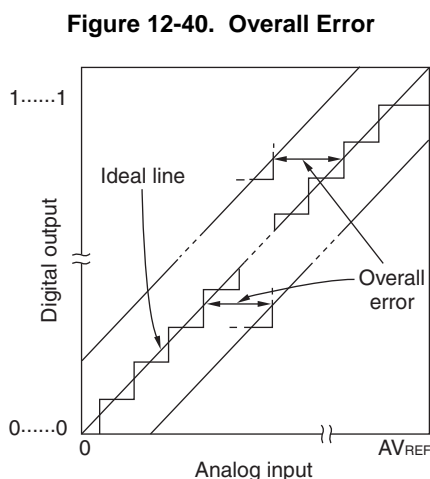
Zero-scale error, full-scale error, integral linearity error, and differential linearity errors that are combinations of these express the overall error.

Note that the quantization error is not included in the overall error in the characteristics table.

(3) Quantization error

When analog values are converted to digital values, a $\pm 1/2\text{LSB}$ error naturally occurs. In an A/D converter, an analog input voltage in a range of $\pm 1/2\text{LSB}$ is converted to the same digital code, so a quantization error cannot be avoided.

Note that the quantization error is not included in the overall error, zero-scale error, full-scale error, integral linearity error, and differential linearity error in the characteristics table.



(4) Zero-scale error

This shows the difference between the actual measurement value of the analog input voltage and the theoretical value ($1/2\text{LSB}$) when the digital output changes from $0.....000$ to $0.....001$.

If the actual measurement value is greater than the theoretical value, it shows the difference between the actual measurement value of the analog input voltage and the theoretical value ($3/2\text{LSB}$) when the digital output changes from $0.....001$ to $0.....010$.

(5) Full-scale error

This shows the difference between the actual measurement value of the analog input voltage and the theoretical value (Full-scale – 3/2LSB) when the digital output changes from 1.....110 to 1.....111.

(6) Integral linearity error

This shows the degree to which the conversion characteristics deviate from the ideal linear relationship. It expresses the maximum value of the difference between the actual measurement value and the ideal straight line when the zero-scale error and full-scale error are 0.

(7) Differential linearity error

While the ideal width of code output is 1LSB, this indicates the difference between the actual measurement value and the ideal value.

Figure 12-42. Zero-Scale Error

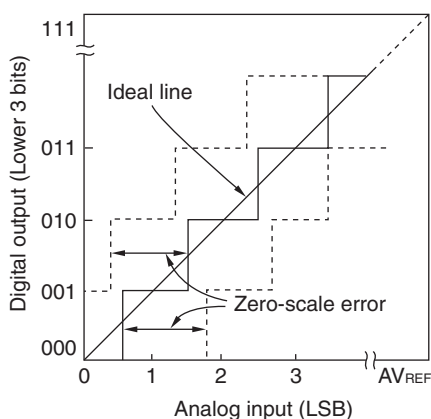


Figure 12-43. Full-Scale Error

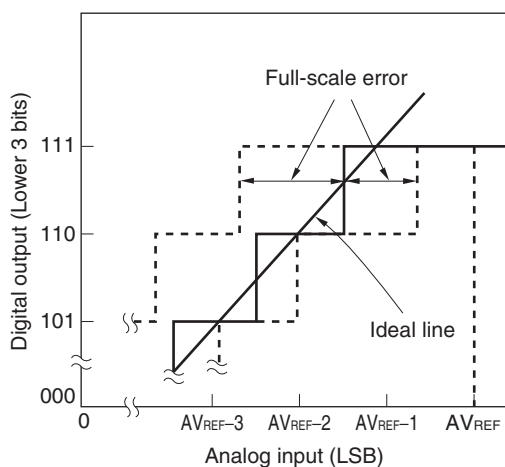


Figure 12-44. Integral Linearity Error

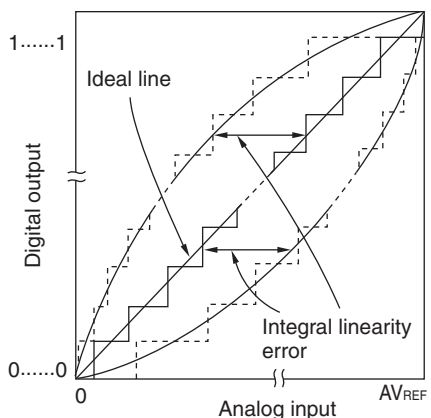
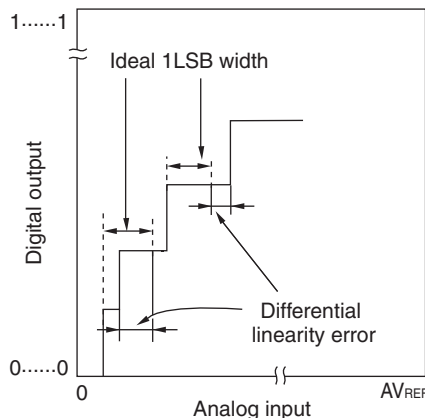


Figure 12-45. Differential Linearity Error



(8) Conversion time

This expresses the time from the start of sampling to when the digital output is obtained. The sampling time is included in the conversion time in the characteristics table.

(9) Sampling time

This is the time the analog switch is turned on for the analog voltage to be sampled by the sample & hold circuit.



12.10 Cautions for A/D Converter

(1) Operating current in STOP mode

Shift to STOP mode after stopping the A/D converter (by setting bit 7 (ADCS) of A/D converter mode register 0 (ADM0) to 0). The operating current can be reduced by setting bit 0 (ADCE) of the ADM0 register to 0 at the same time.

To restart from the standby status, clear bit 0 (ADIF) of interrupt request flag register 1H (IF1H) to 0 and start operation.

(2) Input range of ANI0 to ANI23 and ANI24 to ANI30 pins

Observe the rated range of the ANI0 to ANI23 and ANI24 to ANI30 pins input voltage. If a voltage higher than V_{DD} and AV_{REFP} and less than V_{SS} and AV_{REFM} (even in the range of absolute maximum ratings) is input to an analog input channel, the converted value of that channel becomes undefined. In addition, the converted values of the other channels may also be affected.

When internal reference voltage (1.45 V) is selected reference voltage source for the + side of the A/D converter, do not input a voltage higher than the internal reference voltage to a pin selected by the ADS register. However, it is no problem that a voltage higher than the internal reference voltage is input to a pin not selected by the ADS register.

(3) Conflicting operations

<1> Conflict between the A/D conversion result register (ADCR, ADCRH) write and the ADCR or ADCRH register read by instruction upon the end of conversion

The ADCR or ADCRH register read has priority. After the read operation, the new conversion result is written to the ADCR or ADCRH registers.

<2> Conflict between the ADCR or ADCRH register write and the A/D converter mode register 0 (ADM0) write, the analog input channel specification register (ADS), or A/D port configuration register (ADPC) write upon the end of conversion

The ADM0, ADS, or ADPC registers write has priority. The ADCR or ADCRH register write is not performed, nor is the conversion end interrupt signal (INTAD) generated.

(4) Noise countermeasures

To maintain the 10-bit resolution, attention must be paid to noise input to the AV_{REFP} , V_{DD} , ANI0 to ANI23, and ANI24 to ANI30 pins.

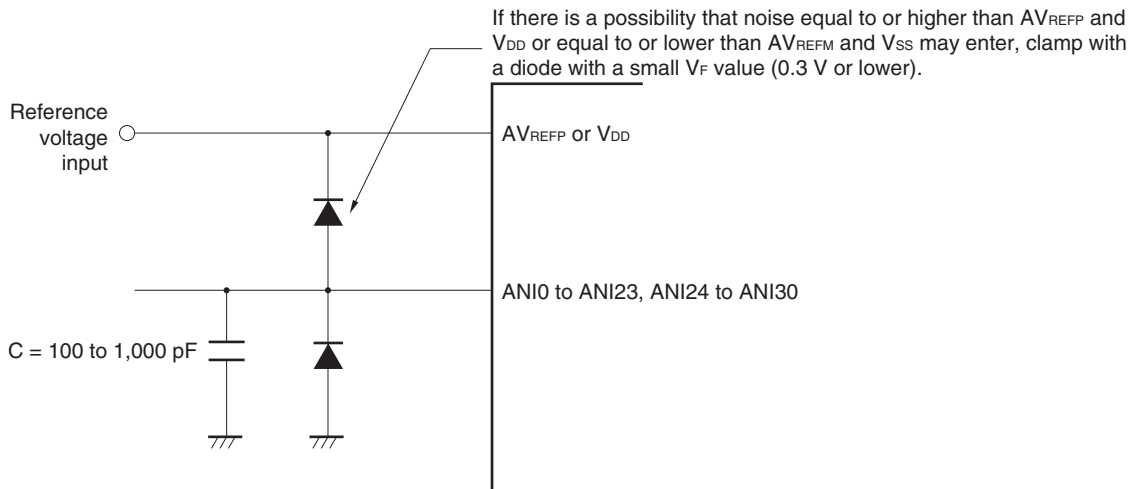
<1> Connect a capacitor with a low equivalent resistance and a good frequency response to the power supply.

<2> The higher the output impedance of the analog input source, the greater the influence. To reduce the noise, connecting external capacitor as shown in Figure 12-46 is recommended.

<3> Do not switch these pins with other pins during conversion.

<4> The accuracy is improved if the HALT mode is set immediately after the start of conversion.

Figure 12-46. Analog Input Pin Connection

**(5) Analog input (ANIn) pins**

<1> The analog input pins (ANI0 to ANI23, ANI24 to ANI30) are also used as input port pins (P33, P34, P70 to P74, P80 to P87, P90 to P97, P100 to P105, P120, P125).

Do not change the output values for the port-pin functions P33, P34, P70 to P74, P80 to P87, P90 to P97, P100 to P105, P120, and P125 while A/D conversion of the signals on the ANI0 to ANI23 or ANI24 to ANI30 pins is selected and conversion is in progress, since doing so may lower the precision of the results of conversion.

<2> When a pin adjacent to one on which A/D conversion is in progress is used as a digital I/O port pin, coupling may lead to noise that causes the results of A/D conversion to differ from the expected values. Be sure to prevent the input or output of pulses on such pins while conversion is in progress.

(6) Input impedance of analog input (ANIn) pins

This A/D converter charges a sampling capacitor for sampling during sampling time.

Therefore, only a leakage current flows when sampling is not in progress, and a current that charges the capacitor flows during sampling. Consequently, the input impedance fluctuates depending on whether sampling is in progress, and on the other states.

To make sure that sampling is effective, however, it is recommended to keep the output impedance of the analog input source to within 1 k Ω , and to connect a capacitor of about 100 pF to the ANI0 to ANI23 and ANI24 to ANI30 pins (see **Figure 12-46**).

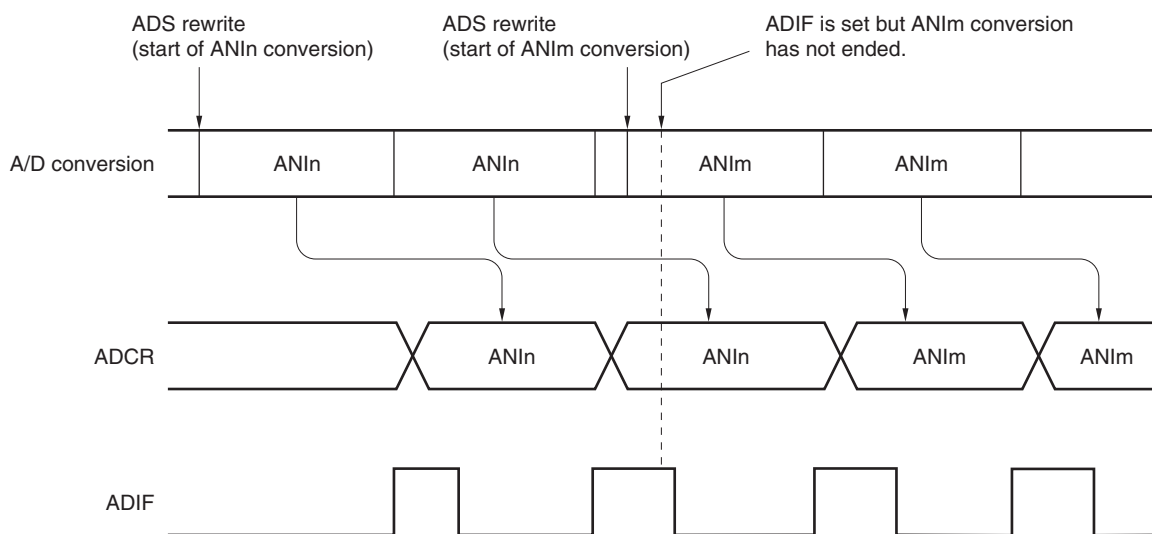
(7) Interrupt request flag (ADIF)

The interrupt request flag (ADIF) is not cleared even if the analog input channel specification register (ADS) is changed.

Therefore, if an analog input pin is changed during A/D conversion, the A/D conversion result and ADIF flag for the pre-change analog input may be set just before the ADS register rewrite. Caution is therefore required since, at this time, when ADIF flag is read immediately after the ADS register rewrite, ADIF flag is set despite the fact A/D conversion for the post-change analog input has not ended.

When A/D conversion is stopped and then resumed, clear ADIF flag before the A/D conversion operation is resumed.

Figure 12-47. Timing of A/D Conversion End Interrupt Request Generation



(8) Conversion results just after A/D conversion start

While in the software trigger mode or hardware trigger no-wait mode, the first A/D conversion value immediately after A/D conversion starts may not fall within the rating range if the ADCS bit is set to 1 within 1 μs after the ADCE bit was set to 1. Take measures such as polling the A/D conversion end interrupt request (INTAD) and removing the first conversion result.

(9) A/D conversion result register (ADCR, ADCRH) read operation

When a write operation is performed to A/D converter mode register 0 (ADM0), analog input channel specification register (ADS), A/D port configuration register (ADPC), and port mode control register xx (PMCxx), the contents of the ADCR and ADCRH registers may become undefined. Read the conversion result following conversion completion before writing to the ADM0, ADS, ADPC, or PMC register. Using a timing other than the above may cause an incorrect conversion result to be read.

(10) Internal equivalent circuit

The equivalent circuit of the analog input block is shown below.

Figure 12-48. Internal Equivalent Circuit of ANIn Pin

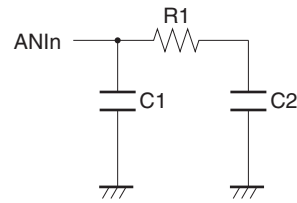


Table 12-6. Resistance and Capacitance Values of Equivalent Circuit (Reference Values)

AV_{REFP}, V_{DD}	ANIn Pins	R1 [k Ω]	C1 [pF]	C2 [pF]
$3.6\text{ V} \leq V_{DD} \leq 5.5\text{ V}$	ANI0 to ANI23	14	8	2.5
	ANI24 to ANI30	18	8	7.0
$2.7\text{ V} \leq V_{DD} < 3.6\text{ V}$	ANI0 to ANI23	39	8	2.5
	ANI24 to ANI30	53	8	7.0

Remark The resistance and capacitance values shown in Table 12-6 are not guaranteed values.

(11) Starting the A/D converter

Start the A/D converter after the AV_{REFP} and V_{DD} voltages stabilize.

(12) Temperature sensor output

If the internal reference voltage (1.45 V) is selected as the reference voltage of comparator 0 or comparator 1, the temperature sensor output cannot be selected.

CHAPTER 13 D/A CONVERTER

The D/A converter is an 8-bit resolution R-2R type unit used to control analog outputs.

13.1 Function of D/A Converter

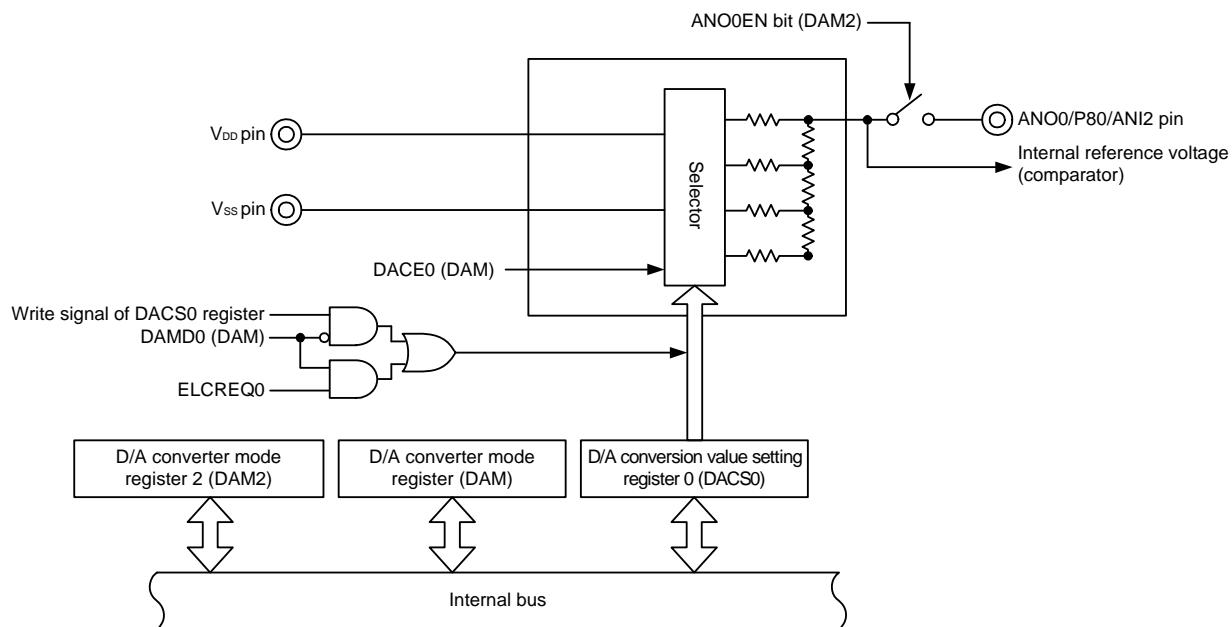
The D/A converter has the following features.

- 8-bit resolution
- R-2R ladder type
- Analog output voltage
8-bit resolution: $V_{DD} \times m8/256$ (m8: Value set to DACS0 register)
- Operation mode
 - Normal mode
 - Real-time output mode

13.2 Configuration of D/A Converter

Figure 13-1 shows the block diagram of the D/A converter.

Figure 13-1. Block Diagram of D/A Converter



- Remarks**
1. ELCREQ0 is a trigger signal (request signal from the ELC) that is used in the real-time output mode.
 2. The internal reference voltage (comparator) is used to select the reference voltage of the comparator. When setting bits 5 and 4 (CVRS1 and CVRS0) in the comparator I/O select register (CMPSEL) to 10B (internal reference voltage (DAC output) is selected), set the ANO0EN bit in this register to 0 (analog output is disabled).

13.3 Registers of D/A Converter

The D/A converter uses the following six registers.

- A/D port configuration register (ADPC)
- Peripheral enable register 1 (PER1)
- D/A converter mode register (DAM)
- D/A converter mode register 2 (DAM2)
- D/A conversion value setting register 0 (DACS0)
- Port mode register 8 (PM8)

13.3.1 A/D Port Configuration Register (ADPC)

This register switches the ANI0/P33 to ANI23/P105 pins to either analog input or port digital I/O.
 When the D/A converter is used, this register should be used to set the ANI2/ANO0/P80 pin to analog input.
 Set the ADPC register by an 8-bit memory manipulation instruction.
 Reset signal generation clears this register to 00H.

Figure 13-2. Format of A/D Port Configuration Register (ADPC)

Address: F0076H After reset: 00H R/W

Symbol	7	6	5	4	3	2	1	0
ADPC	0	0	0	ADPC4	ADPC3	ADPC2	ADPC1	ADPC0

					Switching between analog input (A) and digital input/output (D)																							
ADPC4	ADPC3	ADPC2	ADPC1	ADPC0	ANI23/P105	ANI22/P104	ANI21/P103	ANI20/P102	ANI19/P101	ANI18/P100	ANI17/P97	ANI16/P96	ANI15/P95	ANI14/P94	ANI13/P93	ANI12/P92	ANI11/P91	ANI10/P90	ANI9/P87	ANI8/P86	ANI7/IVREF0/P85	ANI6/IVCMP03/P84	ANI5/IVCMP02/P83	ANI4/IVCMP01/P82	ANI3/IVCMP00/P81	ANI2/ANO0/P80	ANI1/P34	ANI0/P33
0	0	0	0	0	A	A	A	A	A	A	A	A	A	A	A	A	A	A	A	A	A	A	A	A	A	A	A	A
0	0	0	0	1	D	D	D	D	D	D	D	D	D	D	D	D	D	D	D	D	D	D	D	D	D	D	D	D
0	0	0	1	0	D	D	D	D	D	D	D	D	D	D	D	D	D	D	D	D	D	D	D	D	D	D	D	A
0	0	0	1	1	D	D	D	D	D	D	D	D	D	D	D	D	D	D	D	D	D	D	D	D	D	D	D	A
0	0	1	0	0	D	D	D	D	D	D	D	D	D	D	D	D	D	D	D	D	D	D	D	D	D	A	A	A
0	0	1	0	1	D	D	D	D	D	D	D	D	D	D	D	D	D	D	D	D	D	D	D	D	A	A	A	A
0	0	1	1	0	D	D	D	D	D	D	D	D	D	D	D	D	D	D	D	D	D	D	D	A	A	A	A	A
0	0	1	1	1	D	D	D	D	D	D	D	D	D	D	D	D	D	D	D	D	D	D	A	A	A	A	A	A
0	1	0	0	0	D	D	D	D	D	D	D	D	D	D	D	D	D	D	D	D	D	A	A	A	A	A	A	A
0	1	0	0	1	D	D	D	D	D	D	D	D	D	D	D	D	D	D	D	D	A	A	A	A	A	A	A	A
0	1	0	1	0	D	D	D	D	D	D	D	D	D	D	D	D	D	D	D	A	A	A	A	A	A	A	A	A
0	1	0	1	1	D	D	D	D	D	D	D	D	D	D	D	D	D	D	D	A	A	A	A	A	A	A	A	A
0	1	1	0	0	D	D	D	D	D	D	D	D	D	D	D	D	D	D	D	A	A	A	A	A	A	A	A	A
0	1	1	0	1	D	D	D	D	D	D	D	D	D	D	D	D	D	D	D	A	A	A	A	A	A	A	A	A
0	1	1	1	0	D	D	D	D	D	D	D	D	D	D	D	D	D	D	D	A	A	A	A	A	A	A	A	A
0	1	1	1	1	D	D	D	D	D	D	D	D	D	D	D	D	D	D	D	A	A	A	A	A	A	A	A	A
1	0	0	0	0	D	D	D	D	D	D	D	D	D	A	A	A	A	A	A	A	A	A	A	A	A	A	A	A
1	0	0	0	1	D	D	D	D	D	D	D	D	A	A	A	A	A	A	A	A	A	A	A	A	A	A	A	A
1	0	0	1	0	D	D	D	D	D	D	D	A	A	A	A	A	A	A	A	A	A	A	A	A	A	A	A	A
1	0	0	1	1	D	D	D	D	D	D	A	A	A	A	A	A	A	A	A	A	A	A	A	A	A	A	A	A
1	0	1	0	0	D	D	D	D	D	A	A	A	A	A	A	A	A	A	A	A	A	A	A	A	A	A	A	A
1	0	1	0	1	D	D	D	D	A	A	A	A	A	A	A	A	A	A	A	A	A	A	A	A	A	A	A	A
1	0	1	1	0	D	D	D	A	A	A	A	A	A	A	A	A	A	A	A	A	A	A	A	A	A	A	A	A
1	0	1	1	1	D	D	A	A	A	A	A	A	A	A	A	A	A	A	A	A	A	A	A	A	A	A	A	A
1	1	0	0	0	D	A	A	A	A	A	A	A	A	A	A	A	A	A	A	A	A	A	A	A	A	A	A	A
Other than the above					Setting prohibited																							

- Cautions**
1. Set a channel to be used for D/A conversion to the input mode by using port mode register 8 (PM8).
 2. Do not set the pin that is set by the ADPC register as digital I/O to D/A conversion operation enable by using the D/A converter mode register (DAM).

13.3.2 Peripheral Enable Register 1 (PER1)

The PER1 register enables or disables clock supply to each peripheral hardware unit. Clock supply to a hardware unit that is not used is stopped in order to reduce the power consumption and noise.

When the D/A converter is used, be sure to set bit 7 (DACEN) of this register to 1.

Set the PER1 register by a 1-bit or 8-bit memory manipulation instruction.

Reset signal generation clears this register to 00H.

Figure 13-3. Format of Peripheral Enable Register 1 (PER1)

Address: F007AH After reset: 00H

Symbol	<7>	6	<5>	<4>	<3>	<2>	<1>	<0>
PER1	DACEN	0	CMPEN	TRD0EN	DTCEN	TAU2EN ^{Note}	SAU2EN	TRJ0EN

DACEN	Control of D/A converter input clock	R/W
0	Stops input clock supply. <ul style="list-style-type: none"> • SFR used by the D/A converter cannot be written to. • The D/A converter is in the reset state. 	R/W
1	Supplies input clock. <ul style="list-style-type: none"> • SFR used by the D/A converter can be read/written to. 	

Note 144-pin only.

- Cautions**
1. When setting the D/A converter, be sure to set the DACEN bit to 1 first. If DACEN = 0, writing to a control register of the D/A converter is ignored, and all read values are default values (except for port mode register 8 (PM8), port register 8 (P8), A/D port configuration register (ADPC), and D/A converter mode register 2 (DAM2)).
 2. Be sure to clear the following bits 6.

13.3.3 D/A Converter Mode Register (DAM)

This register controls the operation of the D/A converter.

Set the DAM register by a 1-bit or 8-bit memory manipulation instruction.

Reset signal generation clears this register to 00H.

Figure 13-4. Format of D/A Converter Mode Register (DAM)

Address: FFF36H After reset: 00H

Symbol	7	6	5	<4>	3	2	1	0
DAM	–	–	–	DACE0	–	–	–	DAMD0

DACE0	D/A conversion operation control	R/W
0	Stops D/A conversion operation.	R/W
1	Enables D/A conversion operation.	

DAMD0	D/A converter operation mode selection	R/W
0	Normal mode	R/W
1	Real-time output mode	

When the D/A converter is not used, set the DACE0 bit to 0 (output disable) and set the DACS0 register to 00H to prevent current from flowing into the R-2R resistor ladder to reduce unnecessary current consumption.

13.3.4 D/A Converter Mode Register 2 (DAM2)

When the P80/ANO0 pin is in use to output analog signal from the D/A converter, this register is used to control the output from the ANO0 pin. When setting bits 5 and 4 (CVRS1 and CVRS0) in the comparator I/O select register (CMPSEL) to 10B (internal reference voltage (DAC output) is selected), set the ANO0EN bit in this register to 0 (analog output is disabled).

Set the DAM2 register by a 1-bit or 8-bit memory manipulation instruction.

Reset signal generation clears this register to 00H.

Figure 13-5. Format of D/A Converter Mode Register 2 (DAM2)

Address: F0227H After reset: 00H R/W

Symbol	7	6	5	4	3	2	1	<0>
DAM2	0	0	0	0	0	0	0	ANO0EN

ANO0EN	Analog output (ANO0) control	R/W
0	Disables analog output (ANO0).	R/W
1	Enables analog output (ANO0).	

13.3.5 D/A Conversion Value Setting Register 0 (DACS0)

This register is used to set the analog voltage value to be output to the ANO0 pin when the D/A converter is used. Set the DACS0 register by an 8-bit memory manipulation instruction. Reset signal generation clears this register to 00H.

Figure 13-6. Format of D/A Conversion Value Setting Register 0 (DACS0)

Address: FFF34H After reset: 00H R/W

Symbol	7	6	5	4	3	2	1	0
DACS0	DACS07	DACS06	DACS05	DACS04	DACS03	DACS02	DACS01	DACS00

Remark The analog output voltage (VANO0) of the D/A converter is defined as follows.

$$VANO0 = \text{Reference voltage for D/A converter} \times (\text{DACS0})/256$$

13.3.6 Port Mode Register 8 (PM8)

When using the ANO0/ANI2/P80 pin as an analog input port, set bit PM80 to 1.

If bit PM80 is set to 0, this pin cannot be used as an analog input port.

Set the PM8 register by a 1-bit or 8-bit memory manipulation instruction.

Reset signal generation sets this register to FFH.

Caution If a pin is set as an analog input port, not the pin level but 0 is always read.

Figure 13-7. Format of Port Mode Register 8 (PM8)

Address: FFF22H After reset: FFH

Symbol	7	6	5	4	3	2	1	0
PM8	PM87	PM86	PM85	PM84	PM83	PM82	PM81	PM80

PM8n	P8n pin I/O mode selection (n = 0 to 7)	R/W
0	Output mode (output buffer on)	R/W
1	Input mode (output buffer off)	

The function of the ANO0/ANI2/P80 pin can be selected by using the A/D port configuration register (ADPC), the D/A converter mode register (DAM), D/A converter mode register 2 (DAM2), the analog input channel specification register (ADS), and the PM8 register.

Table 13-1. Setting Functions of ANO0/ANI2/P80 Pin

ADPC Register	PM8 Register	DAM Register	DAM2 Register	ADS Register	Functions of ANO0/ANI2/ P80 Pin	
Digital I/O	Input mode	—	Enables analog output	—	Setting prohibited	
			Disables analog output		Digital input	
	Output mode	—	Enables analog output	—	Setting prohibited	
			Disables analog output		Digital output	
Analog I/O	Input mode	Enables D/A conversion operation	Enables analog output	Selects ANI	Setting prohibited	
			Disables analog output	Does not selects ANI	Analog output (D/A conversion output)	
			Enables analog output	Selects ANI	Analog input (to be converted)	
			Disables analog output	Does not selects ANI	Analog input (not to be converted) ^{Note}	
		Stops D/A conversion operation	Enables analog output	Selects ANI	Setting prohibited	
			Disables analog output	Does not selects ANI	Setting prohibited	
	Output mode	—	—	Enables analog output	Selects ANI	Analog input (to be converted)
				Disables analog output	Does not selects ANI	Analog input (not to be converted)
Output mode	—	—	—	—	Setting prohibited	

Note This is a setting that the D/A converter is used for internal reference voltage of comparator. In this case, set CVRS1, CVRS0 bits of CMPSEL register to 10b (internal reference voltage (DAC output) is selected).

13.4 Operations of D/A Converter

13.4.1 Operation in Normal Mode

D/A conversion is performed using write operation to the DACS0 register as the trigger.

The setting method is described below.

- <1> Set the DACEN bit of the peripheral enable register 1 (PER1) to 1 to start the supply of the input clock to the D/A converter.
- <2> Use the A/D port configuration register (ADPC) to set the ports to analog pins.
- <3> Set the ANO0EN bit of the D/A converter mode register 2 (DAM2) to 1 (analog output enable). When setting bits 5 and 4 (CVRS1 and CVRS0) in the comparator I/O select register (CMPSEL) to 10B (internal reference voltage (DAC output) is selected), set the ANO0EN bit in this register to 0 (analog output is disabled).
- <4> Set the DAMD0 bit of the D/A converter mode register (DAM) to 0 (normal mode).
- <5> Set the analog voltage value to be output to the ANO0 pin to the D/A conversion value setting register 0 (DACS0).

Steps <1> to <5> above constitute the initial settings.

- <6> Set the DACE0 bit of the DAM register to 1 (D/A conversion enable).
D/A conversion starts, and then, after the settling time elapses, the analog voltage set in step <5> is output to the ANO0 pin.
- <7> To perform subsequent D/A conversions, write to the DACS0 register.

The previous D/A conversion result is held until the next D/A conversion is performed.

When the DACE0 bit of the DAM register is set to 0 (D/A conversion operation stop), D/A conversion stops.

If the ports are set to digital pins using the ADPC register, the ANO0 pin goes into a high-impedance state when the PM80 bit of the PM8 register for the port = 1 (input mode), and the ANO0 pin outputs the set value of the P8 register when the PM80 bit = 0 (output mode).

- Cautions**
1. Even if 1, 0, and then 1 is set to the DACE0 bit, there is a wait after 1 is set for the last time.
 2. If the DACS0 register is rewritten during the settling time, D/A conversion is aborted and reconversion by using the newly written values starts.

13.4.2 Operation in Real-Time Output Mode

D/A conversion is performed on each channel using the individual interrupt request signals from the ELC as triggers. The setting method is described below.

- <1> Set the DACEN bit of the peripheral enable register 1 (PER1) to 1 to start the supply of the input clock to the D/A converter.
- <2> Use the port configuration register (ADPC) to set the ports to analog pins.
- <3> Set the ANO0EN bit of the D/A converter mode register 2 (DAM2) to 1 (analog output enable). When setting bits 5 and 4 (CVRS1 and CVRS0) in the comparator I/O select register (CMPSEL) to 10B (internal reference voltage (DAC output) is selected), set the ANO0EN bit in this register to 0 (analog output is disabled).
- <4> Set the DAMD0 bit of the D/A converter mode register (DAM) to 0 (normal mode).
- <5> Set the analog voltage value to be output to the ANO0 pin to the D/A conversion value setting register 0 (DACS0).
- <6> Set the DACE0 bit of the DAM register to 1 (D/A conversion enable).
D/A conversion starts, and then, after the settling time elapses, the analog voltage set in step <5> is output to the ANO0 pin.
- <7> Use the event output destination select register (ELSELRn) to set the real-time trigger signal.
- <8> Set the DAMD0 bit of the DAM register to 1 (real-time output mode).
- <9> Start the operation of the ECL request source.

Steps <1> to <9> above constitute the initial settings.

- <10> Generation of the real-time output triggers starts D/A conversion and the analog voltage set in step <5> will be output to the ANO0 pin after a settling time has elapsed.

Set the analog voltage value to be output to the ANO0 pin, to the DACS0 register before performing the next D/A conversion (real-time output trigger is generated).

When the DACE0 bit of the DAM register is set to 0 (D/A conversion operation stop), D/A conversion stops.

If the ports are set to digital pins by using the ADPC register, the ANO0 pin goes into a high-impedance state when the PM80 bit of the PM8 register for the port = 1 (input mode), and the ANO0 pin outputs the set value of the P8 register when the PM80 bit = 0 (output mode).

- Cautions**
1. Even if 1, 0, and then 1 is set to the DACE0 bit, there is a wait after 1 is set for the last time.
 2. Make the interval between each generation of the ELC event request trigger signal longer than the settling time. If an ELC event request trigger signal is generated during the settling time, D/A conversion is aborted and reconversion starts.
 3. Even if the generation of the ELC event request trigger signal and rewriting of the DACS0 register conflict, the correct D/A conversion result is output.

13.5 Cautions for D/A Converter

Observe the following cautions when using the D/A converter.

- (1) The digital port I/O function, which is the alternate function of the ANO0 pin, does not operate if the ports are set to analog pins by using the A/D port configuration register (ADPC). When the P8 register is read while the ports are set to analog pins by using the ADPC register, 0 is read in the input mode and the set value of the P8 register is read in the output mode. If the digital output mode is set, no data is output to the pins.
- (2) The operation of the D/A converter continues in the HALT and STOP modes. To lower the power consumption, therefore, clear the DACE0 bit to 0, and execute the HALT or STOP instruction after stopping the operation of the D/A converter.
- (3) To stop the real-time output mode (including when changing to normal mode), one of the following procedures must be used:
 - Wait for at least three clocks after stopping the trigger output source and then set bits DACE0 and DAMD0 to 0.
 - After setting bits DACE0 and DAMD0, set the DACEN bit of the PER1 register to 0 (DAC stop).
 - When the DACEN bit is set to 0, all the registers in the DAC are cleared, so the settings of the SFRs are required to start the operation again.
- (4) When D/A conversion operation is enabled, do not perform A/D conversions from the analog input pin multiplexed with the ANO0 pin.
- (5) In the real-time output mode, set the value of the DACS0 register before a timer trigger is generated. Do not change the set value of the DACS0 register while the trigger signal is output.
- (6) Since the output impedance of the D/A converter is high, no current can be taken out from the ANO0 pin. If the input impedance of the load is low, insert a follower amplifier between the load and the ANO0 pin before use. In addition, the wiring length between the follower amplifier and the load must be as short as possible due to the high output impedance. If the wiring length is long, take measures such as placing a ground pattern around the wiring area.
- (7) When entering the STOP state while the real-time output mode for D/A conversion is enabled, disable linking of ELC events before entering STOP.

CHAPTER 14 COMPARATOR

14.1 Overview

The comparator compares a reference voltage to an analog input voltage. The results of a comparison of reference voltage and analog input voltage can be read by software. The comparison result is output externally and an interrupt or ELC event is requested upon detection of a change between the two voltages.

The reference input voltage can be either the input from the IVREF0 pin or the output from the on-chip D/A converter. There are four analog input pins, one of which is to be selected.

Table 14-1 lists the comparator specifications and figure 14-1 shows the Comparator Block Diagram.

Table 14-1. Comparator Specifications

Item	Specification
Number of channels	One (comparator 0)
Analog input voltage	Input voltage from the IVCMP00 to IVCMP03 pins (one of them to be selected)
Reference voltage	<ul style="list-style-type: none"> • Internal reference voltage (output from on-chip D/A converter) • Input voltage from the external reference voltage input pin (IVREF0)
Comparator output	<ul style="list-style-type: none"> • Comparison result • Generation of ELC event output • Monitor output from register
Interrupt request signal	<ul style="list-style-type: none"> • An interrupt request is generated on detecting a valid edge of comparison result. • Rising edge, falling edge, or both edges can be selected.
Digital filter function	<ul style="list-style-type: none"> • One of three sampling frequencies can be selected. • Not using the filter function can be selected.

Figure 14-1. Comparator Block Diagram

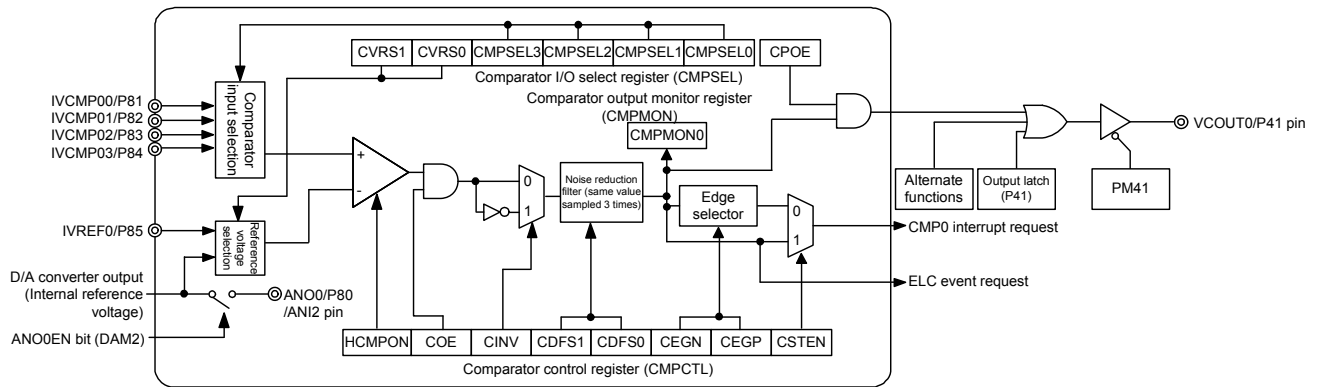


Table 14-2. Comparator Pin Configuration

Pin Name	I/O	Function
IVCMP00 to IVCMP03	Input	Analog voltage input pins
IVREF0	Input	External reference voltage input pin
VCOUT0	Output	Comparator output pin

14.2 Registers to Control the Comparator

The comparator is controlled by using the following registers.

Table 14-3. Registers to Control the Comparator

Register Name	Symbol	After Reset	Address	Access Size
Peripheral Enable Register 1	PER1	00H	F02C0H	8
Comparator Control Register	CMPCTL	00H	F02A0H	1, 8
Comparator I/O Select Register	CMPSEL	00H	F02A1H	1, 8
Comparator Output Monitor Register	CMPMON	00H	F02A3H	1, 8
A/D port configuration register	ADPC	00H	F0076H	8
D/A converter mode register 2	DAM2	00H	F0227H	1, 8
Port mode register 4	PM4	FFH	FFF24H	1, 8
Port mode register	PM8	FFH	FFF28H	1, 8

14.2.1 Peripheral Enable Register 1 (PER1)

The PER1 register enables or disables clock supply to each peripheral hardware unit. Clock supply to a hardware unit that is not used is stopped in order to reduce the power consumption and noise.

When the comparator is used, be sure to set bit 5 (CMPEN) of this register to 1.

The PER1 register can be set by a 1-bit or 8-bit memory manipulation instruction.

Reset signal generation clears this register to 00H.

Figure 14-2. Format of Peripheral Enable Register 1 (PER1)

Address: F007AH After reset: 00H

Symbol	<7>	<6>	<5>	<4>	<3>	<2>	<1>	<0>
PER1	DACEN	TRGEN	CMPEN	TRD0EN	DTCEN	TAU2EN ^{Note}	SAU2EN	TRJ0EN

CMPEN	Control of comparator input clock	R/W
0	Stops input clock supply. <ul style="list-style-type: none"> SFR used by the comparator cannot be written to. The comparator is in the reset state. 	R/W
1	Supplies input clock. <ul style="list-style-type: none"> SFR used by the comparator can be read/written to. 	

Note 144-pin only.

- Cautions**
- When setting the comparator, be sure to set the CMPEN bit to 1 first. If CMPEN = 0, writing to a control register of the comparator is ignored, and all read values are default values (except for port mode registers 4 and 8 (PM4 and PM8), and port registers 4 and 8 (P4 and P8)).
 - Be sure to clear bit 6 to 0.

14.2.2 Comparator Control Register (CMPCTL)

This register is used to control the comparator operation, enable or disable the comparator output, select the noise filter, select the valid edge of the interrupt signal, and enable/disable release from the STOP mode.

Set the CMPCTL register by a 1-bit or 8-bit memory manipulation instruction.

Reset signal generation sets this register to 00H.

Figure 14-3. Format of Comparator Control Register (CMPCTL)

Address: F0341H After reset: 00H

Symbol	<7>	6	5	4	3	2	<1>	0
CMPCTL	HCMPON	CDFS1	CDFS0	CEGN	CEGP	CSTEN	COE	CINV
HCMPON	Comparator operation control ^{Note 1}							R/W
0	Operation stopped (the comparator outputs a low-level signal)							R/W
1	Operation enabled (input to the comparator pins is enabled)							
CDFS1	CDFS0	Noise filter selection ^{Notes 2, 3, 4}					R/W	
0	0	Noise filter not used					R/W	
0	1	Noise filter sampling frequency is 2^3f_{CLK} .						
1	0	Noise filter sampling frequency is 2^4f_{CLK} .						
1	1	Noise filter sampling frequency is 2^5f_{CLK} .						
CEGN	CEGP	Selection of valid edge of INTCMP interrupt signal					R/W	
0	0	No edge selection					R/W	
0	1	Falling edge selection						
1	0	Rising edge selection						
1	1	Both-edge selection						
The valid edge is set for the signal after the comparator polarity is selected by using the CINV bit and the filter is selected by using CDFS1 and CDFS0 bits.								
CSTEN	STOP mode release enable ^{Notes 5, 6}						R/W	
0	Releasing STOP mode by comparator interrupt disabled						R/W	
1	Releasing STOP mode by comparator interrupt enabled							
COE	Comparator output enable						R/W	
0	Comparator output disabled (the output signal is low level)						R/W	
1	Comparator output enabled							
CINV	Comparator output polarity selection ^{Notes 2, 3, 6}						R/W	
0	Comparator output not inverted						R/W	
1	Comparator output inverted							

- Notes**
- Do not modify bits HCMPON and COE simultaneously. The operation stabilization wait time (1 μ s when $3.3\text{ V} \leq V_{DD} \leq 5.5\text{ V}$ or 3 μ s when $2.7\text{ V} \leq V_{DD} < 3.3\text{ V}$) is required after enabling comparator operation (HCMPON = 1).
 - Change bits CDFS1, CDFS0, CEGN, CEGP, CSTEN and CINV only after disabling the comparator output (COE = 0).
 - Changes to the values of the CDFS1, CDFS0, CEGN, CEGP, CSTEN, and CINV bits may lead to a comparator interrupt request, ELC event request, DTC transfer request, or setting of the INTFLG06 bit in the interrupt source determination flag register 0. Change these bits only after

setting the ELSELR19 register to 00H (no linking of the comparator output 0) and the DTCEN44 bit in the DTCEN4 register to 0 (disabling DTC activation by the comparator detection 0 signal). Also, after changing these bits, initialize the CMPIF0 bit in the interrupt request flag register and the INTFLG06 bit in the interrupt source determination flag register 0 (INTFLG0) to 0 (clearing interrupt request flags).

4. If bits CDFS1 and CDFS0 are changed from 00B (noise filter not used) to a value other than 00B (noise filter used), perform sampling four times and update the filter output, and then use the comparator interrupt request or the ELC event.
5. To enable releasing STOP mode by the comparator interrupt, set this bit to 0 and also set bits CDFS1, CDFS0, and CINV to 00B (noise filter not used).
6. To enable releasing STOP mode by the comparator interrupt and to release from STOP mode by the falling edge of the comparator output, set the CSTEN bit to 1 and CINV bit to 1 (comparator output inverted).

14.2.3 Comparator I/O Select Register (CMPSEL)

This register is used to select the comparator input, reference voltage, and to enable or disable the VCOUT0 output. The CMPSEL register can be set by a 1-bit or 8-bit memory manipulation instruction. Reset signal generation sets this register to 00H.

Figure 14-4. Format of Comparator I/O Select Register (CMPSEL)

Address: F0340H After reset: 00H

Symbol	7	<6>	5	4	3	2	1	0
CMPSEL	0 ^{Note 4}	CPOE	CVRS1	CVRS0	CMPSEL3	CMPSEL2	CMPSEL1	CMPSEL0

CPOE	VCOUT0 pin output enable	R/W
0	VCOUT0 pin output of the comparator is disabled (the output signal is low level).	R/W
1	VCOUT0 pin output of the comparator is enabled.	

CVRS1	CVRS0	Reference voltage selection	R/W
0	0	No reference voltage	R/W
0	1	External reference voltage (IVREF0) selected	
1	0	Internal reference voltage (D/A converter output) selected ^{Note 1}	
1	1	Setting prohibited ^{Note 2}	

CMPSEL3	CMPSEL2	CMPSEL1	CMPSEL0	Comparator input selection	R/W
0	0	0	0	No input	R/W
0	0	0	1	IVCMP00 selected	
0	0	1	0	IVCMP01 selected	
0	1	0	0	IVCMP02 selected	
1	0	0	0	IVCMP03 selected	
Setting the other values is prohibited. For details, see note 3.					

- Notes**
- When the internal reference voltage is used, set the D/A converter to be used for generating the internal reference voltage before enabling comparator operation (HCOMPON = 1). For details on setting the internal reference voltage, see **CHAPTER 13 D/A CONVERTER**.
 - Modify bits CVRS1 and CVRS0 in the following procedure. Particularly, be sure to set bits CVRS1 and CVRS0 to 00B before changing the set value. Writing a value other than 00B while the value of these bits is not 00B is invalid and the previous value is retained.
 - Set bit COE in CMPCTL register to 0.
 - Set bits CVRS1 and CVRS0 to 00B.
 - Set a new value to bits CVRS1 and CVRS0 (with 1 set in only one of the bits).
 - Wait for the input switching stabilization wait time (300 ns)
 - Set bit COE in CMPCTL register to 1.
 - Clear flag bit CMPIF0 in the control register.
 - Modify bits CMPSEL3 to CMPSEL0 in the following procedure. Writing a value other than 0000B while the value of these bits is not 0000B is invalid. Writing 1 to two or more bits is also invalid. In both cases, the previous value is retained.
 - Set bit COE in CMPCTL register to 0.
 - Set bits CMPSEL3 to CMPSEL0 to 0000B.
 - Set a new value to bits CMPSEL3 to CMPSEL0 (with 1 set in only one of the bits).

4. Wait for the input switching stabilization wait time (300 ns)
5. Set bit COE in CMPCTL register to 1.
6. Clear flag bit CMPIF0 in the control register.
4. Be sure to set bit 7 to 0.

14.2.4 Comparator Output Monitor Register (CMPMON)

This register is used to monitor the comparator output.

The CMPMON register can be set by a 1-bit or 8-bit memory manipulation instruction.

Reset signal generation sets this register to 00H.

Figure 14-5. Format of Comparator Output Monitor Register (CMPMON)

Address: F02A2H After reset: 00H

Symbol	7	6	5	4	3	2	1	0
CMPMON	0	0	0	0	0	0	0	CMPMON0

CMPMON0	Comparator output monitor value	R/W
0	When CINV = 0 (comparator output is not inverted) <ul style="list-style-type: none"> • Comparator input voltage (IVCMP0n) < reference voltage • Comparator operation disabled (HCOMPON = 0) • Comparator output is disabled (COE = 0) When CINV = 1 (converter output is inverted) <ul style="list-style-type: none"> • Comparator input voltage (IVCMP0n) > reference voltage 	R/W
1	When CINV = 0 (comparator output is not inverted) <ul style="list-style-type: none"> • Comparator input voltage (IVCMP0n) > reference voltage When CINV = 1 (comparator output is inverted) <ul style="list-style-type: none"> • Comparator input voltage (IVCMP0n) < reference voltage • Comparator operation disabled (HCOMPON = 0) • Comparator output is disabled (COE = 0) 	

- Cautions**
1. When comparator operation is enabled (HCOMPON = COE = 1) but the noise filter is not in use (CDFS1 and CDFS0 = 00B), write the software so that the CMPMON0 bit is read twice and the values are only used after the two consecutive values match.
 2. Be sure to set bits 7 to 1 to 0.

14.2.5 A/D port configuration register (ADPC)

This register switches the ANI0/P33 to ANI23/P105 pins to digital I/O of port or analog input.

When the comparator is in use, set the pins selected from among P81/ANI3/IVCMP00, P82/ANI4/IVCMP01, P83/ANI5/IVCMP02, P84/ANI6/IVCMP03, and P85/ANI7/IVREF0 to analog input by using the ADPC register.

The ADPC register can be set by an 8-bit memory manipulation instruction.

Reset signal generation sets this register to 00H.

Figure 14-6. Format of A/D Port Configuration Register (ADPC)

Address: F0076H After reset: 00H

Symbol	7	6	5	4	3	2	1	0
ADPC	0	0	0	ADPC4	ADPC3	ADPC2	ADPC1	ADPC0

ADPC4	ADPC3	ADPC2	ADPC1	ADPC0	Analog input (A)/digital I/O (D) switching																								
					ANI23/P105	ANI22/P104	ANI21/P103	ANI20/P102	ANI19/P101	ANI18/P100	ANI17/P97	ANI16/P96	ANI15/P95	ANI14/P94	ANI13/P93	ANI12/P92	ANI11/P91	ANI10/P90	ANI9/P87	ANI8/P86	ANI7/IVREF0/P85	ANI6/IVCMP03/P84	ANI5/IVCMP02/P83	ANI4/IVCMP01/P82	ANI3/IVCMP00/P81	ANI2/AN00/P80	ANI1/P34	ANI0/P33	
0	0	0	0	0	A	A	A	A	A	A	A	A	A	A	A	A	A	A	A	A	A	A	A	A	A	A	A	A	
0	0	0	0	1	D	D	D	D	D	D	D	D	D	D	D	D	D	D	D	D	D	D	D	D	D	D	D	D	D
0	0	0	1	0	D	D	D	D	D	D	D	D	D	D	D	D	D	D	D	D	D	D	D	D	D	D	D	D	A
0	0	0	1	1	D	D	D	D	D	D	D	D	D	D	D	D	D	D	D	D	D	D	D	D	D	D	D	A	A
0	0	1	0	0	D	D	D	D	D	D	D	D	D	D	D	D	D	D	D	D	D	D	D	D	D	D	A	A	A
0	0	1	0	1	D	D	D	D	D	D	D	D	D	D	D	D	D	D	D	D	D	D	D	D	D	A	A	A	A
0	0	1	1	0	D	D	D	D	D	D	D	D	D	D	D	D	D	D	D	D	D	D	D	D	A	A	A	A	A
0	0	1	1	1	D	D	D	D	D	D	D	D	D	D	D	D	D	D	D	D	D	D	D	A	A	A	A	A	A
0	1	0	0	0	D	D	D	D	D	D	D	D	D	D	D	D	D	D	D	D	D	D	A	A	A	A	A	A	A
0	1	0	0	1	D	D	D	D	D	D	D	D	D	D	D	D	D	D	D	D	D	D	A	A	A	A	A	A	A
0	1	0	1	0	D	D	D	D	D	D	D	D	D	D	D	D	D	D	D	D	D	D	A	A	A	A	A	A	A
0	1	0	1	1	D	D	D	D	D	D	D	D	D	D	D	D	D	D	D	D	D	D	A	A	A	A	A	A	A
0	1	1	0	0	D	D	D	D	D	D	D	D	D	D	D	D	D	D	D	D	D	D	A	A	A	A	A	A	A
0	1	1	0	1	D	D	D	D	D	D	D	D	D	D	D	D	D	D	D	D	D	D	A	A	A	A	A	A	A
0	1	1	1	0	D	D	D	D	D	D	D	D	D	D	D	D	D	D	D	D	D	D	A	A	A	A	A	A	A
0	1	1	1	1	D	D	D	D	D	D	D	D	D	D	D	D	D	D	D	D	D	D	A	A	A	A	A	A	A
1	0	0	0	0	D	D	D	D	D	D	D	D	D	A	A	A	A	A	A	A	A	A	A	A	A	A	A	A	A
1	0	0	0	1	D	D	D	D	D	D	D	D	D	A	A	A	A	A	A	A	A	A	A	A	A	A	A	A	A
1	0	0	1	0	D	D	D	D	D	D	D	D	D	A	A	A	A	A	A	A	A	A	A	A	A	A	A	A	A
1	0	0	1	1	D	D	D	D	D	D	D	D	D	A	A	A	A	A	A	A	A	A	A	A	A	A	A	A	A
1	0	1	0	0	D	D	D	D	D	A	A	A	A	A	A	A	A	A	A	A	A	A	A	A	A	A	A	A	A
1	0	1	0	1	D	D	D	D	A	A	A	A	A	A	A	A	A	A	A	A	A	A	A	A	A	A	A	A	A
1	0	1	1	0	D	D	D	A	A	A	A	A	A	A	A	A	A	A	A	A	A	A	A	A	A	A	A	A	A
1	0	1	1	1	D	D	A	A	A	A	A	A	A	A	A	A	A	A	A	A	A	A	A	A	A	A	A	A	A
1	1	0	0	0	D	A	A	A	A	A	A	A	A	A	A	A	A	A	A	A	A	A	A	A	A	A	A	A	A
Other than above	Setting prohibited																												

Caution Set the pins to be used for the comparator (P81/ANI3/IVCMP00, P82/ANI4/IVCMP01, P83/ANI5/IVCMP02, P84/ANI6/IVCMP03, and P85/ANI7/IVREF0) to the input mode by using port mode registers 8 (PM8).

14.2.6 D/A converter mode register 2 (DAM2)

When the P80/ANO0 pin is in use to output analog signal from the D/A converter, this register is used to control the output from the ANO0 pin. When setting bits 5 and 4 (CVRS1 and CVRS0) in the comparator I/O select register (CMPSEL) to 10B (internal reference voltage (DAC output) is selected), set the ANO0EN bit in this register to 0 (analog output is disabled).

The DAM2 register can be set by a 1-bit or 8-bit memory manipulation instruction.

Reset signal generation sets this register to 00H.

Figure 14-7. Format of D/A Converter Mode Register (DAM2)

Address: F0227H After reset: 00H

Symbol	7	6	5	4	3	2	1	<0>
DAM2	0	0	0	0	0	0	0	ANO0EN

ANO0EN	Analog output (ANO0) control	R/W
0	Analog output (ANO0) is disabled.	R/W
1	Analog output (ANO0) is enabled.	

14.2.7 Port mode register 4 (PM4)

This register is used to set input/output of port 4 in 1-bit units.

When using the port (P41/VCOU0) to be shared with the comparator output pin, set the corresponding bit in the port mode register 4 (PM4) and port mode register 4 (P4) to 0.

Example)

When P41/VCOU0 is used for comparator output pin

Set the PM41 bit in the port mode register 4 to 0.

Set the P41 bit in the port register 4 to 0.

The PM4 register can be set by a 1-bit or 8-bit memory manipulation instruction.

Reset signal generation sets this register to 00H.

Figure 14-8. Format of Port Mode Register 4 (PM4) (144-pin products)

Address: FFF24H After reset: FFH

Symbol	7	6	5	4	3	2	1	0
PM4	PM47	PM46	PM45	PM44	PM43	PM42	PM41	PM40

PM4n	P4n pin input/output mode selection (n = 0 to 7)	R/W
0	0: Output mode (output buffer on)	R/W
1	1: Input mode (output buffer off)	

14.2.8 Port mode register (PM8)

When using the P81/ANI3/IVCMP00, P82/ANI4/IVCMP01, P83/ANI5/IVCMP02, P84/ANI6/IVCMP03, or P85/ANI7/IVREF0 pin for an analog input port of the comparator, set the PM81, PM82, PM84, or PM85 bit to 1 corresponding to the port to be used.

If the PM81 to PM85 bits are set to 0, they cannot be used as analog input port pins.

The PM8 register can be set by a 1-bit or 8-bit memory manipulation instruction.

Reset signal generation sets these registers to FFH.

Caution If a pin is set as an analog input port, not the pin level but “0” is always read.

Figure 14-9. Format of Port Mode Register 8 (PM8)

Address: FFF28H After reset: FFH

Symbol	7	6	5	4	3	2	1	0
PM8	PM87	PM86	PM85	PM84	PM83	PM82	PM81	PM80

PM8n	P8n pin input/output mode selection (n = 0 to 7)	R/W
0	0: Output mode (output buffer on)	R/W
1	1: Input mode (output buffer off)	

The P81/ANI3/IVCMP00, P82/ANI4/IVCMP01, P83/ANI5/IVCMP02, P84/ANI6/IVCMP03, and P85/ANI7/IVREF0 pins are as shown below depending on the settings of the A/D port configuration register (ADPC), analog input channel specification register (ADS), and PM8 registers.

Table 14-4. Setting Functions of P81/ANI3/IVCMP00 to P85/ANI7/IVREF0 Pins

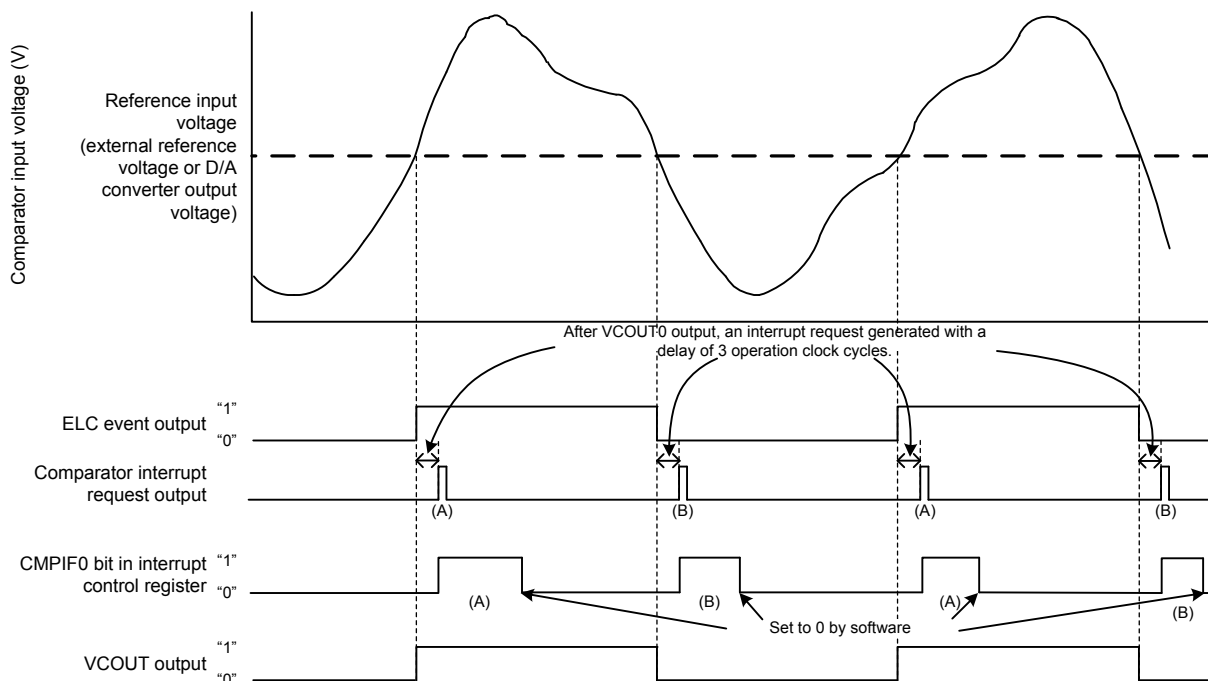
ADPC Register	PM8 Register	ADS Register	P81/ANI3/IVCMP00 to P85/ANI7/IVREF0
Digital I/O selection	Input mode	–	Digital input
	Output mode	–	Digital output
Analog I/O selection	Input mode	Selects ANI.	Analog input (to be converted)
		Does not select ANI.	Analog input (not to be converted)
	Output mode	Selects ANI.	Setting prohibited
		Does not select ANI.	

Reset signal generation sets all the P81/ANI3/IVCMP00 to P85/ANI7/IVREF0 pins to analog input.

14.3 Operation

Figure 14-10 shows a comparator operation example. The VCOUT0 output becomes 1 when the analog input voltage is higher than the comparator input voltage, and the VCOUT0 output becomes 0 when the analog input voltage is lower than the reference voltage. When the comparator output changes, an interrupt request and an ELC event are output.

Figure 14-10. Comparator Operation Example



Caution The above diagram applies when CPOE = 1 (pin output enabled), CDFS1 and CDFS0 = 00B (filter not used), and CEGP = CEGN = 1 (both-edge selection). When CINV = 0, CEGP = 1, and CEGN = 0 (rising-edge selection for non-inversion output signal from the comparator), CMPIF0 changes as shown by (A) only. When CINV = 0, CEGP = 0, and CEGN = 1 (falling-edge selection for non-inversion output signal from the comparator), CMPIF0 changes as shown by (B) only. When CPOE = 1, VCOUT0 directly outputs the ELC event output.

14.3.1 Noise Filter

The comparator contains a noise filter. The sampling clock can be selected by bits CDFS1 and CDFS0 in the CMPCTL register.

The comparator signal is sampled every sampling clock and if the same value is sampled three times, the noise filter output at the next sampling clock cycle is used as the comparator output.

Figure 14-11 shows the configuration of the noise filter and edge detector and figure 14-12 shows an example of noise filter and interrupt operation.

Figure 14-11. Noise Filter and Edge Detection Configuration

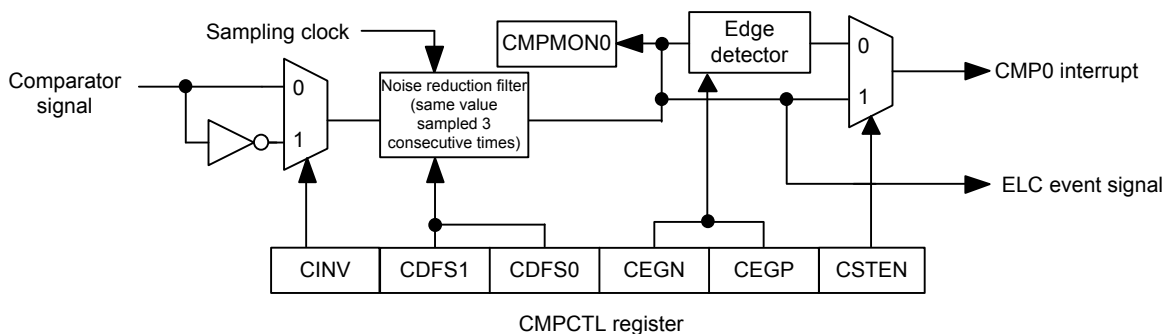
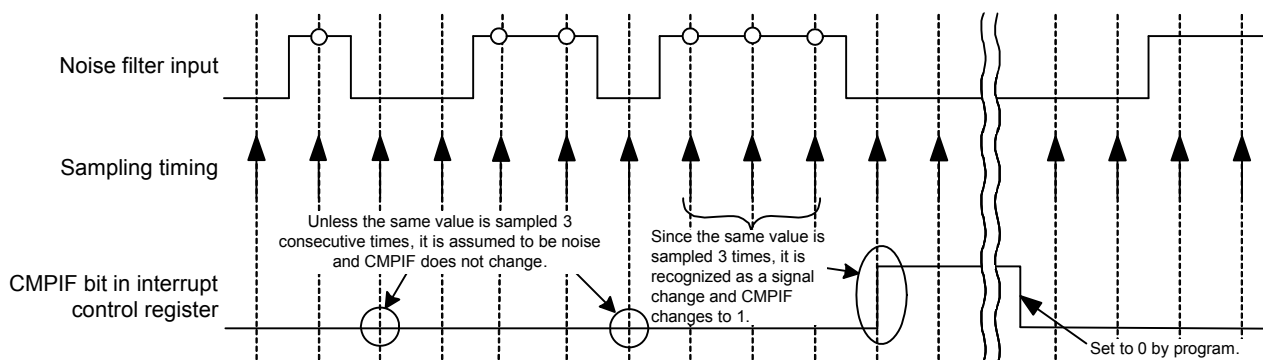


Figure 14-12. Noise Filter and Interrupt Operation Example



Caution The above operation example applies when bits CDFS1 and CDFS0 in the CMPCTL register is 01B, 10B, or 11B (noise filter used).

14.3.2 Comparator Interrupts

The comparator generates an interrupt request. The comparator interrupt functions provide priority specification flag, interrupt mask flag, interrupt request flag, and interrupt vector.

When using the comparator interrupt, set at least one of bits CEGP and CEGN in the CMPCTL register to 1 (to a value other than 00B (no edge selection)).

For details on the register setting related to comparator interrupt request, refer to **14.2.2 Comparator Control Register (CMPCTL)**.

To use the comparator interrupt in STOP mode, set the CSTEN bit in CMPCTL register to 1 (releasing STOP mode by comparator interrupt enabled) and set the CDFS1 and CDFS0 bits to 00 (digital noise filter not used).

14.3.3 Comparator ELC Event Output

An ELT event is generated in accord to settings of the comparator output inversion control (CINV bit) and noise filter output (CDFS1 and CDFS0 bits) in the CMPCTL register. Use the ELSELR19 register of the ELC for selection of event output destination and disabling the event link operation.

14.3.4 Comparator Pin Output

The comparison result from the comparator can be output to external pins. Bits CINV and CPOE in the CMPSEL register can be used to set the output polarity (output is inverted or not) and to enable or disable the output. For the correspondence between the register setting and the comparator pin output, refer to **14.2.2 Comparator Control Register (CMPCTL)**.

14.3.5 Stopping or Supplying Comparator Clock

To stop the comparator by setting peripheral enable register 1 (PER1), use the following procedure:

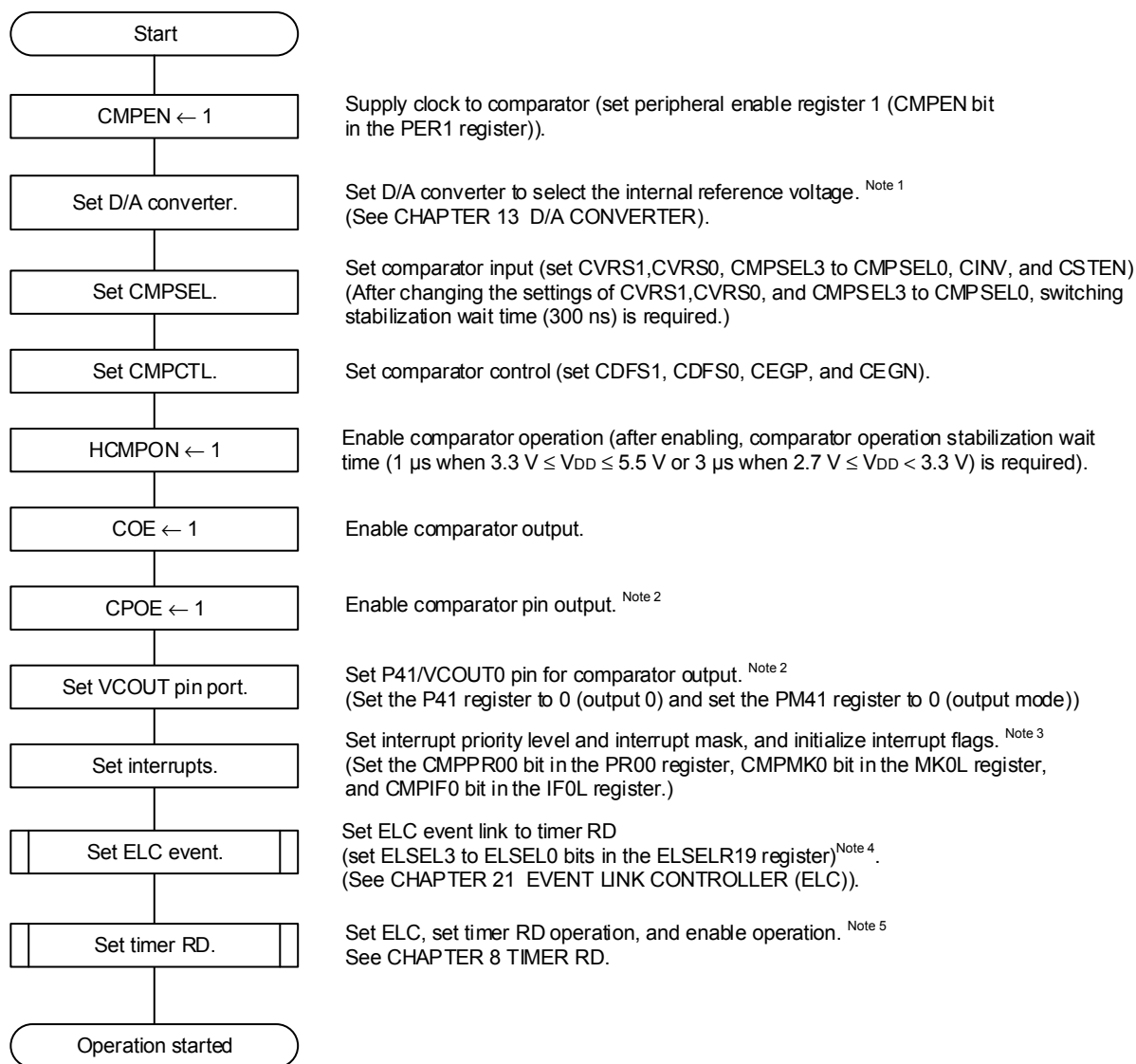
- <1> Set the HCOMPON bit in the CMPCTL register to 0 (stop the comparator input).
- <2> Set the CMPEN bit in the PER1 register to 0.
- <3> Set the interrupt flag (CMPIF0 bit in the IF0L register) to 0 (clear any unnecessary interrupt before stopping the comparator).

When the clock is stopped by setting PER1, all the internal registers in the comparator are initialized. To use the comparator again, follow the procedure in Table 14-13 to set the registers.

14.3.6 Comparator Setting Flowchart

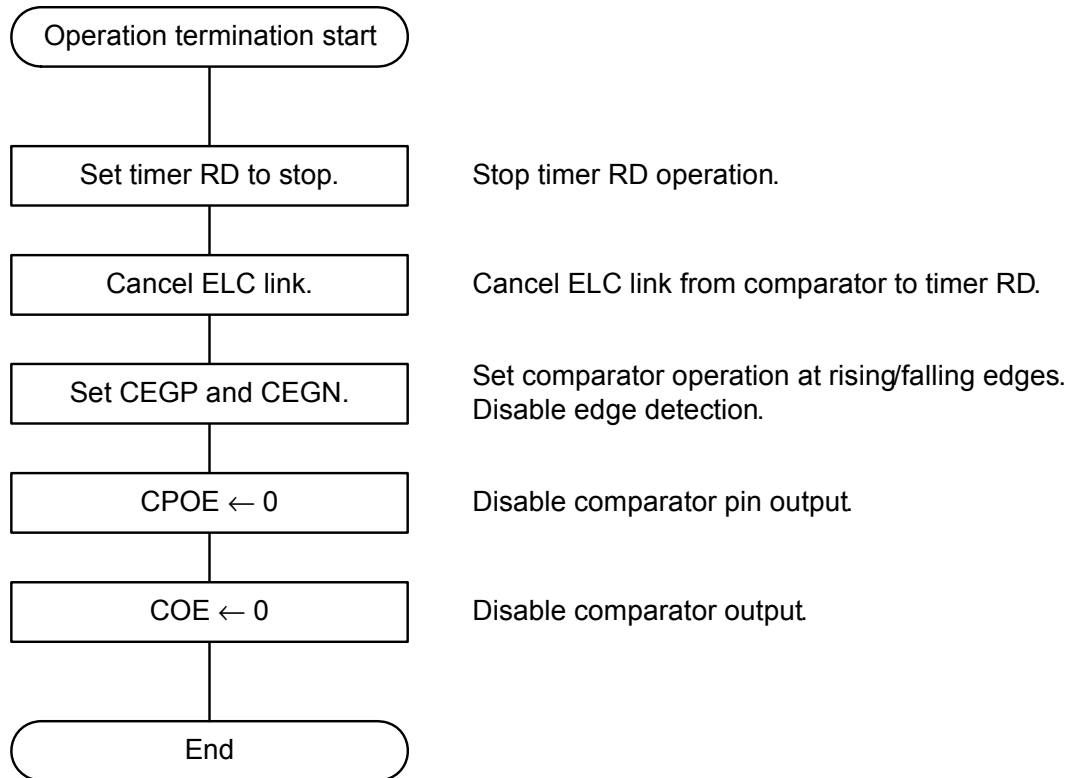
Figure 14-13 shows the flowchart for setting the comparator-related registers.

Figure 14-13. Comparator Operation Setting Flowchart (when Using the timer RD Operation Triggered by Internal Reference Voltage (D/A Converter Output), INTCMP0 Interrupt, or ELC Event)



- Notes**
1. This is not required when the external reference voltage is used.
 2. This is not required when the comparator output is not output to the external pin.
 3. Set the registers assigned to interrupt control.
 4. This is not required when the ELC event is not used.
 5. This is not required when the timer RD by the ELC event is not used.

**Figure 14-14. Comparator Operation Termination Flowchart
(when Using the Timer RD Operation by the ELC Event)**



CHAPTER 15 SERIAL ARRAY UNIT

Serial array unit has two serial channels. Each channel can achieve 3-wire serial (CSI), UART, and simplified I²C communication.

Function assignment of each channel supported by the RL78/F15 is as shown below.

Unit	Channel	Used as CSI	Used as UART	Used as Simplified I ² C
0	0	CSI00 (supporting SPI function) ^{Note 3}	UART0 (supporting LIN-bus)	IIC00
	1	CSI01 (supporting SPI function) ^{Note 3}		IIC01
1	0	CSI10 (supporting SPI function) ^{Note 1, 3}	UART1	IIC10
	1	CSI11 (supporting SPI function) ^{Note 3}		IIC11
2 ^{Note 2}	0	CSI20	UART2	–
	1	CSI21		–

- Notes**
- 48-pin products do not have $\overline{\text{SSI10}}$ pin.
 - 144, 100-pin only.
 - Set CKPmn bit of SCRmn register to 1, when SSEmn = 1 (Enables $\overline{\text{SSI1mn}}$ pin input).
(m = 0, 1, n = 0, 1)

When "UART0" is used for channels 0 and 1 of the unit 0, CSI00 and CSI01 cannot be used.

Caution Most of the following descriptions in this chapter use the units and channels of the 144-pin products as an example.

15.1 Functions of Serial Array Unit

Each serial interface supported by the RL78/F15 has the following features.

15.1.1 3-wire serial I/O (CSI00, CSI01, CSI10, CSI11, CSI20, CSI21)

Data is transmitted or received in synchronization with the serial clock ($\overline{\text{SCK}}$) output from the master channel.

3-wire serial communication is clocked communication performed by using three communication lines: one for the serial clock ($\overline{\text{SCK}}$), one for transmitting serial data (SO), one for receiving serial data (SI).

For details about the settings, see **15.5 Operation of 3-Wire Serial I/O (CSI00, CSI01, CSI10, CSI11, CSI20, CSI21) Communication**.

[Data transmission/reception]

- Data length of 7 to 16 bits (CSI00, CSI01, CSI10, and CSI11 only)
Data length of 7 and 8 bits (CSI20, and CSI21 only)
- Phase control of transmit/receive data
- MSB/LSB first selectable
- Level setting of transmit/receive data

[Clock control]

- Master/slave selection
- Phase control of I/O clock
- Setting of transfer period by prescaler and internal counter of each channel
- Maximum transfer rate
During master communication: Max. $f_{\text{MCK}}/4$ ^{Note}
During slave communication: Max. $f_{\text{MCK}}/6$ ^{Note}

[Interrupt function]

- Transfer end interrupt/buffer empty interrupt

[Error detection flag]

- Overrun error

CSI00, CSI01, CSI10, and CSI11 support the SPI function.

[Extended function]

- Slave select function of the SPI function

CSI20 supports the SNOOZE mode. When $\overline{\text{SCK}}$ input is detected while in the STOP mode, the SNOOZE mode makes data reception that does not require the CPU possible. Only CSI can be specified for asynchronous reception.

Note Use the clocks within a range satisfying the $\overline{\text{SCK}}$ cycle time (t_{CKCY}) characteristics (see **CHAPTER 35** to **CHAPTER 36 ELECTRICAL SPECIFICATIONS**).

15.1.2 UART (UART0, UART1, UART2)

This is a start-stop synchronization function using two lines: serial data transmission (TXD) and serial data reception (RXD) lines. By using these two communication lines, each data frame, which consist of a start bit, data, parity bit, and stop bit, is transferred asynchronously (using the internal baud rate) between the microcontroller and the other communication party. Full-duplex UART communication can be performed by using a channel dedicated to transmission (even-numbered channel) and a channel dedicated to reception (odd-numbered channel). The LIN-bus can be implemented by using timer array unit with an external interrupt (INTP0).

For details about the settings, see **15.7 Operation of UART (UART0, UART1, UART2) Communication**.

[Data transmission/reception]

- Data length of 7, 8, 9, 16 bits (UART0, and UART1 only)
Data length of 7, 8, and 9 bits (UART2 only)
- Select the MSB/LSB first
- Level setting of transmit/receive data and select of reverse
- Parity bit appending and parity check functions
- Stop bit appending

[Interrupt function]

- Transfer end interrupt/buffer empty interrupt
- Error interrupts in cases of framing error, parity error, or overrun error

[Error detection flag]

- Framing error, parity error, or overrun error

The LIN-bus is accepted in UART0 (0 and 1 channels of unit 0).

[LIN-bus functions]

- Wakeup signal detection
- Break field (BF) detection
- Sync field measurement, baud rate calculation

} Using the external interrupt (INTP0) and timer array unit

15.1.3 Simplified I²C (IIC00, IIC01, IIC10, IIC11)

This is a clocked communication function to communicate with two or more devices by using two lines: serial clock (SCL) and serial data (SDA). This simplified I²C is designed for single communication with a device such as EEPROM, flash memory, or A/D converter, and therefore, it functions only as a master.

Make sure by using software, as well as operating the control registers, that the AC specifications of the start and stop conditions are observed.

For details about the settings, see **15.9 Operation of Simplified I²C (IIC00, IIC01, IIC10, IIC11) Communication.**

[Data transmission/reception]

- Master transmission, master reception (only master function with a single master)
- ACK output function^{Note} and ACK detection function
- Data length of 8 bits (When an address is transmitted, the address is specified by the higher 7 bits, and the least significant bit is used for R/W control.)
- Manual generation of start condition and stop condition

[Interrupt function]

- Transfer end interrupt

[Error detection flag]

- ACK error, or overrun error

* [Functions not supported by simplified I²C]

- Slave transmission, slave reception
- Arbitration loss detection function
- Wait detection functions

Note When receiving the last data, ACK will not be output if 0 is written to the SOEmn bit (serial output enable register m (SOEm)) and serial communication data output is stopped. See **15.9.3 (2) Processing flow** for details.

Remarks 1. To use an I²C bus of full function, see **CHAPTER 16 SERIAL INTERFACE IICA.**

2. m: Unit number (m = 0, 1), n: Channel number (n = 0, 1)

15.2 Configuration of Serial Array Unit

The serial array unit includes the following hardware.

Table 15-1. Configuration of Serial Array Unit

Item	Configuration
Shift register	16 bits or 9 bits ^{Note 1}
Buffer register	16 bits or the lower 9 bits of Serial data register mn (SDRmn) ^{Note 1, 2}
Serial clock I/O	$\overline{\text{SCK00}}$, $\overline{\text{SCK01}}$, $\overline{\text{SCK10}}$, $\overline{\text{SCK11}}$, $\overline{\text{SCK20}}$, $\overline{\text{SCK21}}$ pins (for 3-wire serial I/O), SCL00, SCL01, SCL10, SCL11 pins (for simplified I ² C)
Serial data input	SI00, SI01, SI10, SI11, SI20, SI21 pins (for 3-wire serial I/O), RXD0 pin (for UART supporting LIN-bus), RXD1, RXD2 pin (for UART)
Serial data output	SO00, SO01, SO10, SO11, SO20, SO21 pins (for 3-wire serial I/O), TXD0 pin (for UART supporting LIN-bus), TXD1, TXD2 pin (for UART), output controller
Serial data I/O	SDA00, SDA01, SDA10, SDA11 pins (for simplified I ² C)
Slave select input	$\overline{\text{SSI00}}$, $\overline{\text{SSI01}}$, $\overline{\text{SSI10}}$, $\overline{\text{SSI11}}$ pin (for 3-wire serial I/O)
Control registers	<p><Registers of unit setting block></p> <ul style="list-style-type: none"> • Peripheral enable register 0 (PER0) • Peripheral enable register 1 (PER1) • Serial clock select register m (SPSm) • Serial channel enable status register m (SEm) • Serial channel start register m (SSm) • Serial channel stop register m (STm) • Serial output enable register m (SOEm) • Serial output register m (SOM) • Serial output level register m (SOLm) • Serial slave select enable register m (SSEm) ^{Note 3} • Serial standby control register m (SSCm) ^{Note 4} • Input switch control register (ISC) • Noise filter enable register 0 (NFEN0)
	<p><Registers of each channel></p> <ul style="list-style-type: none"> • Serial data register mn (SDRmn) • Serial mode register mn (SMRmn) • Serial communication operation setting register mn (SCRmn) • Serial status register mn (SSRmn) • Serial flag clear trigger register mn (SIRmn)
	<ul style="list-style-type: none"> • Port input mode registers 1, 3, 5 to 7, 12 (PIM1, PIM3, PIM5 to PIM7, PIM12) • Port output mode registers 1, 6, 7, 12 (POM1, POM6, POM7, POM12) • Port mode registers 0 to 7, 15 (PM0 to PM7, PM15) • Port registers 0 to 7, 15 (P0 to P7, P15)

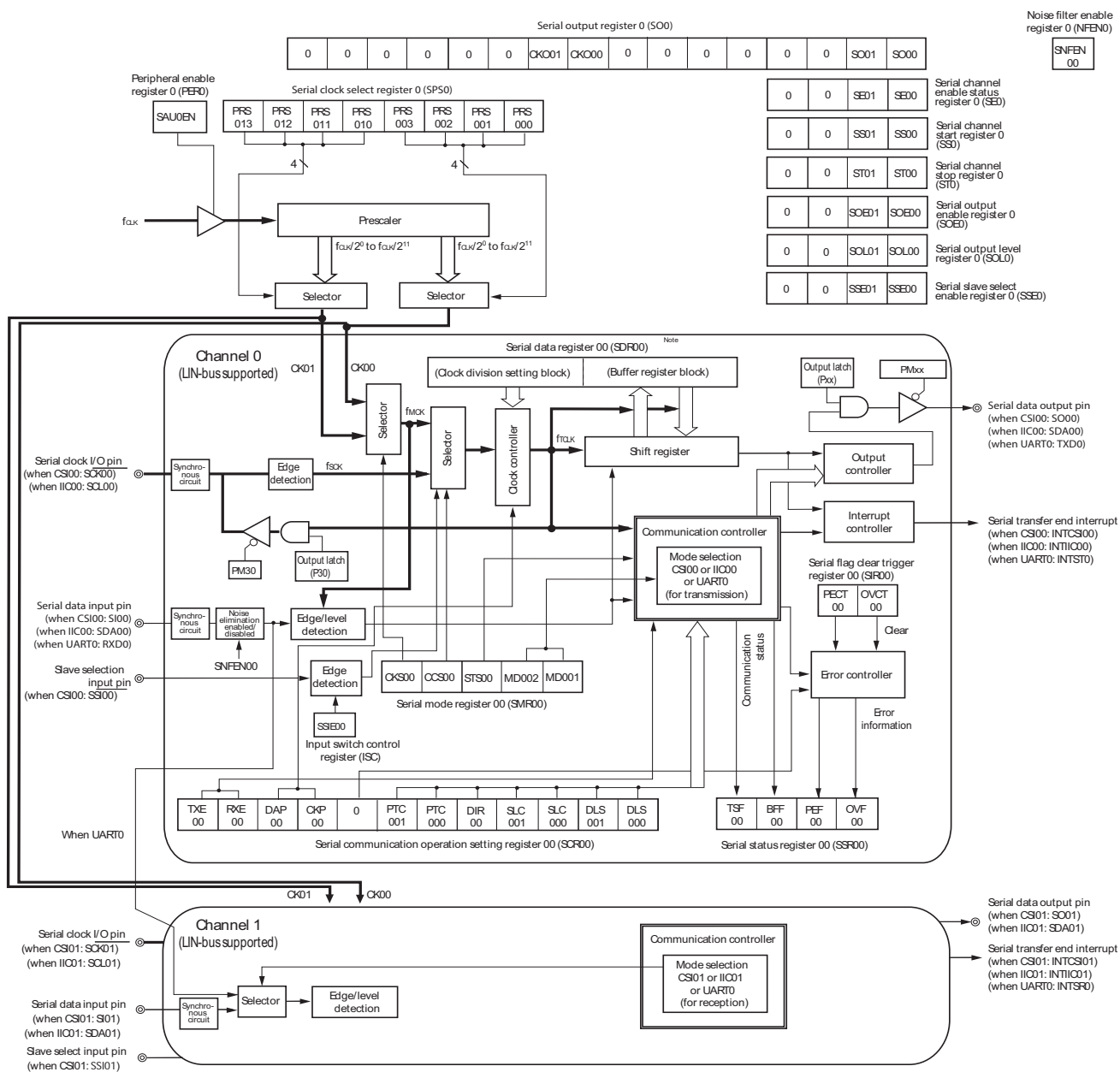
Notes1. The number of bits used as the shift register and buffer register differs depending on the unit and channel.

- mn = 00, 01, 10, 11: 16 bits
 - mn = 20, 21: lower 9 bits
2. When SE_{mn} is 1, the lower 8 bits of serial data register mn (SDR_{mn}) can be read or written as the following SFR, depending on the communication mode.
- CSIp communication ... SDR_pL (CSIp data register)
 - UARTq reception ... SDR_{mm}L (UARTq receive data register)
 - UARTq transmission ... SDR_{mn}L (UARTq transmit data register)
 - IICr communication ... SDR_rL (IICr data register)
3. m = 0, 1, n = 0, 1 only
4. m = 2 only

Remark m: Unit number (m = 0-2), n: Channel number (n = 0, 1), p: CSI number (p = 00, 01, 10, 11),
q: UART number (q = 0-2), r: IIC number (r = 00, 01, 10, 11)

Figure 15-1 shows the block diagram of the serial array unit 0.

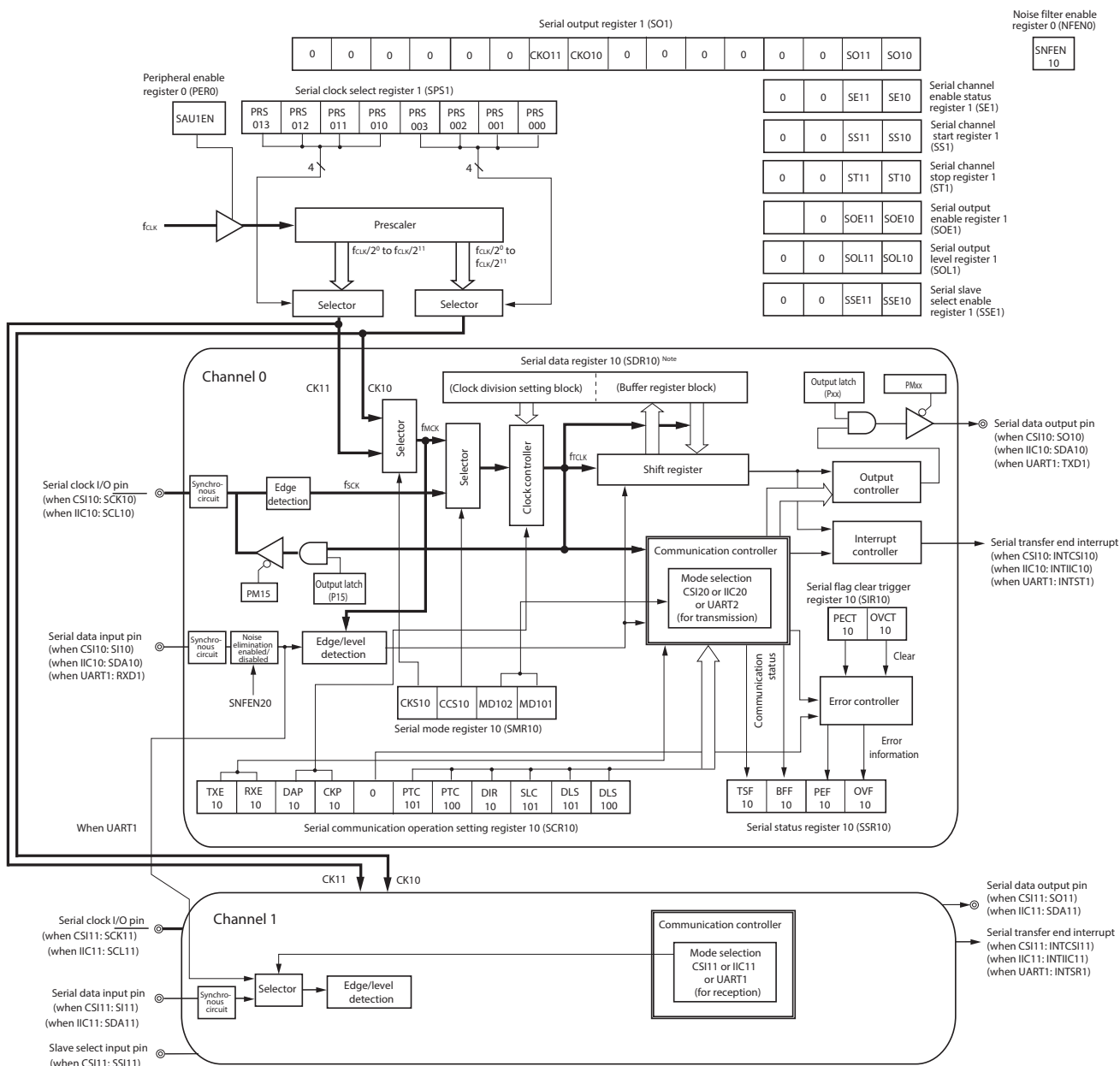
Figure 15-1. Block Diagram of Serial Array Unit 0



Caution: If operation is stopped (SEmn = 0), the upper 7 bits set the clock division, and the lower bits have no meaning.
 If operation is in progress (SEmn = 1), the serial data register 10 functions as the buffer register.

Figure 15-2 shows the block diagram of the serial array unit 1.

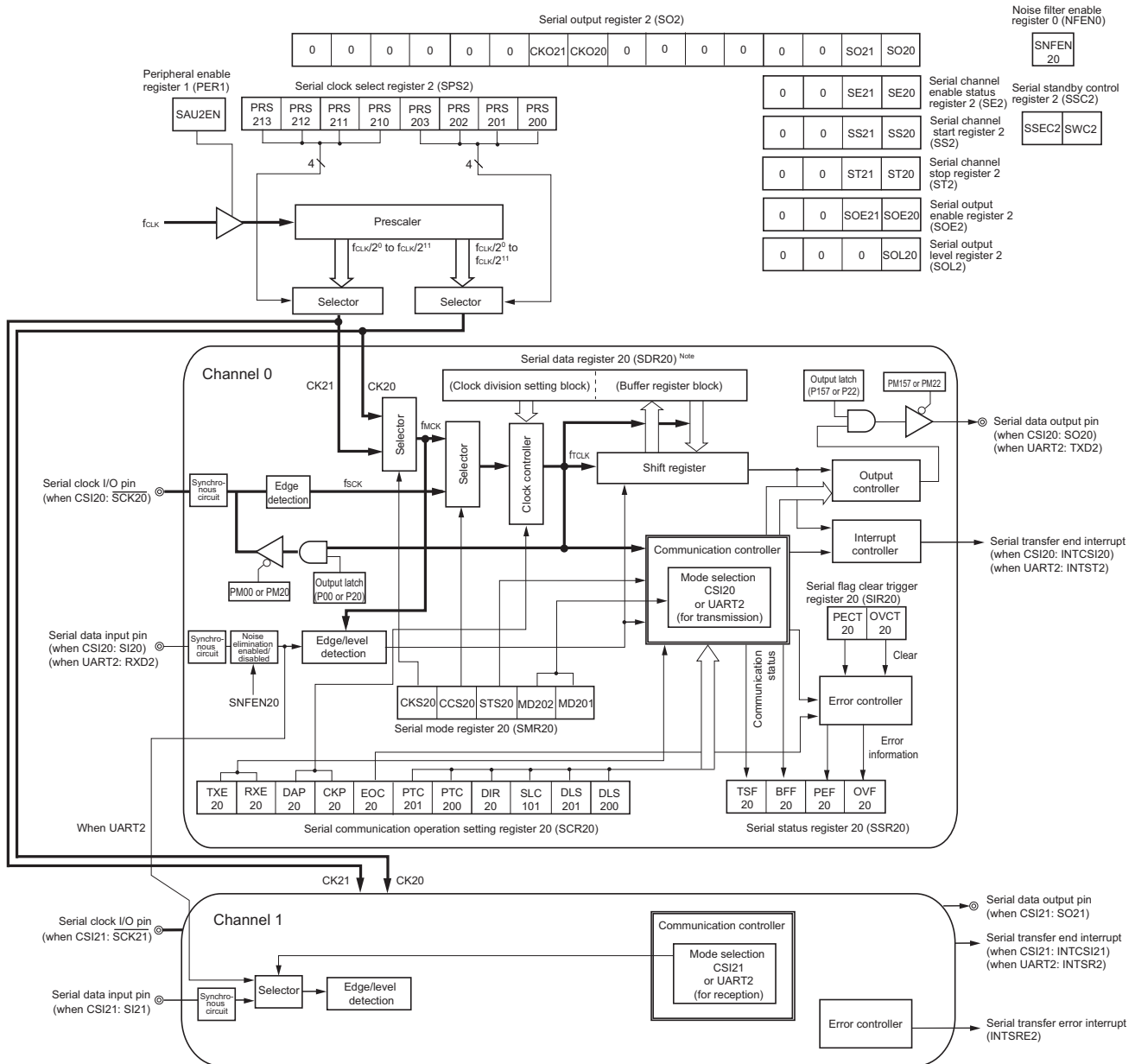
Figure 15-2. Block Diagram of Serial Array Unit 1



Caution: If operation is stopped (SE_mn = 0), the upper 7 bits set the clock division, and the lower bits have no meaning.
 If operation is in progress (SE_mn = 1), the serial data register 10 functions as the buffer register.

Figure 15-3 shows the block diagram of the serial array unit 2.

Figure 15-3. Block Diagram of Serial Array Unit 2 (144 and 100-pin only)



Caution: If operation is stopped (SEm_n = 0), the upper 7 bits set the clock division, and the lower bits have no meaning.

If operation is in progress (SEm_n = 1), the serial data register 10 functions as the buffer register.

(1) Shift register

This is a 16-bit or 9-bit ^{Note 1} register that converts parallel data into serial data or vice versa.

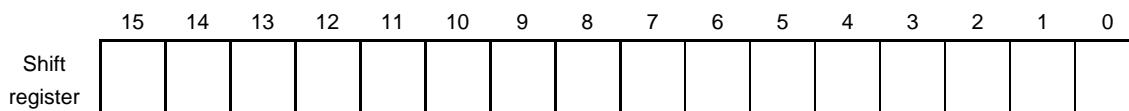
In case of the UART communication of nine bits of data, nine bits (bits 0 to 8) are used.

During reception, it converts data input to the serial pin into parallel data.

When data is transmitted, the value set to this register is output as serial data from the serial output pin.

The shift register cannot be directly manipulated by program.

To read or write the shift register, use the 16-bit or lower 9-bit ^{Note 1} of serial data register mn (SDRmn) when operation is in progress (SEmn = 1).

**(2) Serial data register mn (SDRmn)**

The SDRmn register is the transmit/receive data register (16 bits) of channel n. If operation is stopped (SEmn = 0), bits 15 to 9 are used as a register that sets the division ratio of the operation clock (f_{MCK}). If operation is in progress (SEmn = 1), bits 15 to 0 or bits 8 to 0 (lower 9 bits) ^{Note1} of the SDRmn register functions as a transmit/receive buffer register.

When data is received, parallel data converted by the shift register is stored in the 16 bits or lower 9 bits ^{Note1}.

When data is to be transmitted, set transmit to be transferred to the shift register to the 16 bits or lower 9 bits ^{Note1}.

The data to be stored is as follows, depending on the setting of bits 4 to 0 (DLSmn4 to DLSmn0) or bits 1 and 0 (DLSmn1, and DLSmn0) ^{Note 2} of serial communication operation setting register mn (SCRmn), regardless of the output sequence of the data.

- 7-bit data length (stored in bits 0 to 6 of SDRmn register)
- 8-bit data length (stored in bits 0 to 7 of SDRmn register)
- 9-bit data length (stored in bits 0 to 8 of SDRmn register)
- :
- 16-bit data length (stored in bits 0 to 15 of SDRmn register)

The SDRmn register can be read or written in 16-bit units.

The lower 8 bits of the SDRmn register can be read or written ^{Note 3} as the following SFR when operation is in progress (SEmn = 1). The following SDRmnL registers are available, depending on the communication mode.

- CSIp communication ... SDRpL
- UARTq reception ... SDRmnL
- UARTq transmission ... SDRmnL
- IICr communication ... SDRrL

Reset signal generation clears the SDRmn register to 0000H.

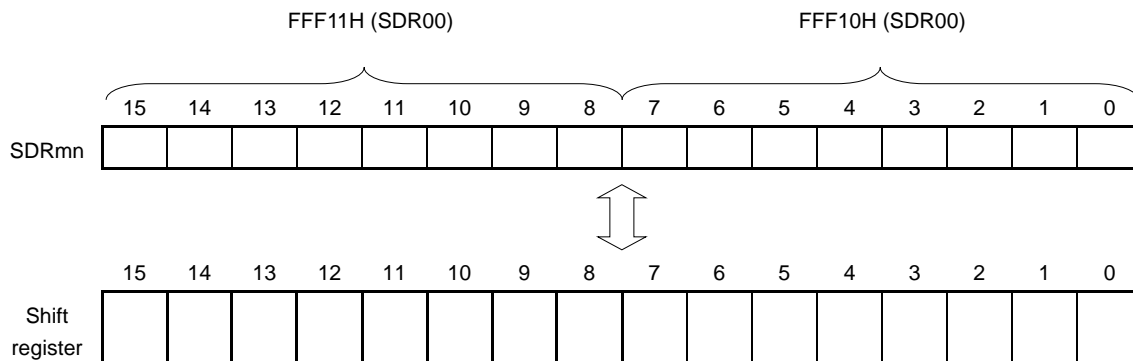
Notes1. Only units 0 and 1 can be specified for the 16-bit data length. Only the UART2 can be specified for the 9-bit data length.

2. DLSmn4 to DLSmn0 are used at only m = 0, 1 and n = 0,1.
DLSmn1 and DLSmn0 are used at only m = 2 and n = 0,1.
3. Writing in 8-bit units is prohibited when the operation is stopped (SEmn = 0).

Remark m: Unit number (m = 0-2), n: Channel number (n = 0, 1), p: CSI number (p = 00, 01, 10, 11, 20, 21),
q: UART number (q = 0-2), r: IIC number (r = 00, 01, 10, 11)

Figure 15-4. Format of Serial Data Register mn (SDRmn) (mn = 00, 01, 10, 11)

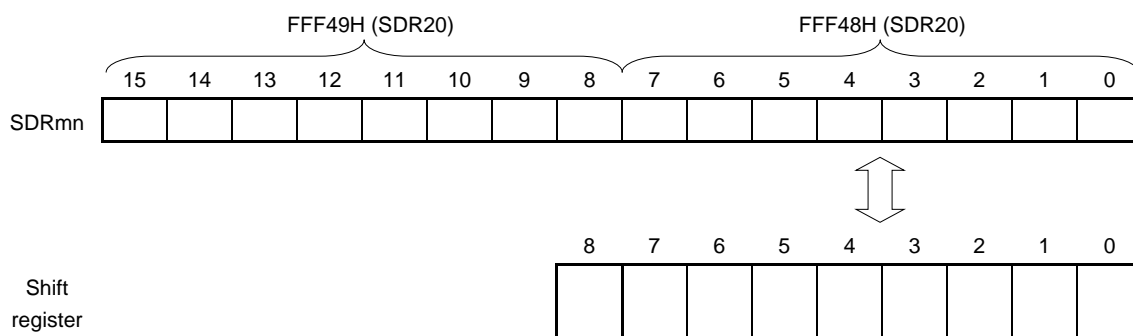
Address: FFF10H, FFF11H (SDR00), FFF12H, FFF13H (SDR01) After reset: 0000H R/W
 FFF48H, FFF49H (SDR10), FFF4AH, FFF4BH (SDR11)



Remark For the function of the higher 7 bits of the SDRmn register, see **15.3 Registers Controlling Serial Array Unit.**

Figure 15-5. Format of Serial Data Register mn (SDRmn) (mn = 20, 21)

Address: FFF48H, FFF49H (SDR20), FFF4AH, FFF4BH (SDR21) After reset: 0000H R/W



Remark For the function of the higher 7 bits of the SDRmn register, see **15.3 Registers Controlling Serial Array Unit.**

15.3 Registers Controlling Serial Array Unit

Serial array unit is controlled by the following registers.

- Peripheral enable register 0 (PER0)
- Peripheral enable register 1 (PER1)
- Serial clock select register m (SPSm)
- Serial mode register mn (SMRmn)
- Serial communication operation setting register mn (SCRmn)
- Serial data register mn (SDRmn)
- Serial flag clear trigger register mn (SIRmn)
- Serial status register mn (SSRmn)
- Serial channel start register m (SSm)
- Serial channel stop register m (STm)
- Serial channel enable status register m (SEm)
- Serial output enable register m (SOEm)
- Serial output level register m (SOLm)
- Serial output register m (SOM)
- Serial slave select enable register m (SSEm) ^{Note 1}
- Serial standby control register m (SSCm) ^{Note 2}
- Input switch control register (ISC)
- Unit selection register (UTSEL)
- Noise filter enable register 0 (NFEN0)
- Port input mode registers 1, 3, 5 to 7, 12 (PIM1, PIM3, PIM5 to PIM7, PIM12)
- Port output mode registers 1, 6, 7, 12 (POM1, POM6, POM7, POM12)
- Port mode registers 0, 1, 2, 3, 5 to 7, 12, 15 (PM0, PM1, PM2, PM3, PM5 to PM7, PM12, PM15)
- Port registers 0, 1, 2, 3, 5 to 7, 12 (P0, P1, P2, P3, P5 to P7, P12, P15)
- Port mode control register 12 (PMC12)
- Port input threshold control registers 0, 1, 3, 5 to 7, 12, and 15 (PITHL0, PITHL1, PITHL3, PITHL5 to PITHL7, PITHL12, PITHL15)
- Port output slew rate select register (PSRSEL)

Notes1. m = 0, 1 only

2. m = 2 only

Remark m: Unit number (m = 0-2), n: Channel number (n = 0, 1)

15.3.1 Peripheral enable register 0 (PER0)

PER0 is used to enable or disable supplying the clock to the peripheral hardware. Clock supply to a hardware macro that is not used is stopped in order to reduce the power consumption and noise.

When serial array unit 0 is used, be sure to set bit 2 (SAU0EN) of this register to 1.

When serial array unit 1 is used, be sure to set bit 3 (SAU1EN) of this register to 1.

Set the PER0 register by a 1-bit or 8-bit memory manipulation instruction.

Reset signal generation clears the PER0 register to 00H.

Figure 15-6. Format of Peripheral Enable Register 0 (PER0)

Address: F00F0H After reset: 00H R/W

Symbol	<7>	6	<5>	<4>	<3>	<2>	<1>	<0>
PER0	RTCEN	0	ADCEN	IICA0EN	SAU1EN	SAU0EN	TAU1EN	TAU0EN

SAUmEN	Control of serial array unit m input clock supply
0	Stops supply of input clock. <ul style="list-style-type: none"> • SFR used by serial array unit m cannot be written. • Serial array unit m is in the reset status.
1	Enables input clock supply. <ul style="list-style-type: none"> • SFR used by serial array unit m can be read/written.

Cautions When setting serial array unit m, be sure to set the SAUmEN bit to 1 first. If SAUmEN = 0, writing to a control register of serial array unit m is ignored, and, even if the register is read, only the default value is read (except for the input switch control register (ISC), noise filter enable register 0 (NFEN0), port input mode registers 1, 3, 5 to 7, 12 (PIM1, PIM3, PIM5 to PIM7, PIM12), port output mode registers 1, 6, 7, 12 (POM1, POM6, POM7, POM12), port mode registers 1, 3, 5 to 7, 12, 15 (PM1, PM3, PM5 to PM7, PM12, PM15), port registers 1, 3, 5 to 7, 12, 15 (P1, P3, P5 to P7, P12, P15), port mode control register 12 (PMC12), port input threshold control registers 1, 3, 5 to 7, and 12 (PITHL1, PITHL3, PITHL5 to PITHL7, and PITHL12), and port output slew rate select register (PSRSEL)).

15.3.2 Peripheral enable register 1 (PER1)

PER1 is used to enable or disable supplying the clock to the peripheral hardware. Clock supply to a hardware macro that is not used is stopped in order to reduce the power consumption and noise.

When serial array unit 2 is used, be sure to set bit 1 (SAU2EN) of this register to 1.

Set the PER1 register by a 1-bit or 8-bit memory manipulation instruction.

Reset signal generation clears the PER1 register to 00H.

Figure 15-7. Format of Peripheral Enable Register 1 (PER1)

Address: F02C0H After reset: 00H R/W

Symbol	<7>	6	<5>	<4>	<3>	<2>	<1>	<0>
PER1	DACEN	0	CMPEN	TRD0EN	DTCEN	TAU2EN	SAU2EN	TRF0EN

SAU2EN	Control of serial array unit 2 input clock supply
0	Stops supply of input clock. <ul style="list-style-type: none"> • SFR used by serial array unit 2 cannot be written. • Serial array unit 2 is in the reset status.
1	Enables input clock supply. <ul style="list-style-type: none"> • SFR used by serial array unit 2 can be read/written.

Cautions When setting serial array unit 2, be sure to set the SAU2EN bit to 1 first. If SAU2EN = 0, writing to a control register of serial array unit 2 is ignored, and, even if the register is read, only the default value is read (except for noise filter enable register 0 (NFEN0), port mode registers 2, 15 (PM2, PM15), port registers 2, 15 (P2, P15)) , and Port input threshold control registers 2, 15 (PITHL2, PITHL15).

15.3.3 Serial clock select register m (SPSm)

The SPSm register is a 16-bit register that is used to select two types of operation clocks (CKm0, CKm1) that are commonly supplied to each channel. CKm1 is selected by bits 7 to 4 of the SPSm register, and CKm0 is selected by bits 3 to 0.

Rewriting the SPSm register is prohibited when the register is in operation (when SEMn = 1).

The SPSm register can be set by a 16-bit memory manipulation instruction.

Set the lower 8 bits of the SPSm register with an 8-bit memory manipulation instruction with SPSmL.

Reset signal generation clears the SPSm register to 0000H.

Figure 15-8. Format of Serial Clock Select Register m (SPSm)

Address: F0116H, F0117H (SPS0), F0156H, F0157H (SPS1), F0166H, F0167H (SPS2) After reset: 0000H R/W

Symbol	15	14	13	12	11	10	9	8	7	6	5	4	3	2	1	0
SPSm	0	0	0	0	0	0	0	0	PRS m13	PRS m12	PRS m11	PRS m10	PRS m03	PRS m02	PRS m01	PRS m00

PRS mk3	PRS mk2	PRS mk1	PRS mk0		Section of operation clock (CKmk) ^{Note1}				
					f _{CLK} = 2 MHz	f _{CLK} = 5 MHz	f _{CLK} = 10 MHz	f _{CLK} = 20 MHz	f _{CLK} = 32 MHz
0	0	0	0	f _{CLK}	2 MHz	5 MHz	10 MHz	20 MHz	32 MHz
0	0	0	1	f _{CLK} /2	1 MHz	2.5 MHz	5 MHz	10 MHz	16 MHz
0	0	1	0	f _{CLK} /2 ²	500 kHz	1.25 MHz	2.5 MHz	5 MHz	8 MHz
0	0	1	1	f _{CLK} /2 ³	250 kHz	625 kHz	1.25 MHz	2.5 MHz	4 MHz
0	1	0	0	f _{CLK} /2 ⁴	125 kHz	313 kHz	625 kHz	1.25 MHz	2 MHz
0	1	0	1	f _{CLK} /2 ⁵	62.5 kHz	156 kHz	313 kHz	625 kHz	1 MHz
0	1	1	0	f _{CLK} /2 ⁶	31.3 kHz	78.1 kHz	156 kHz	313 kHz	500 kHz
0	1	1	1	f _{CLK} /2 ⁷	15.6 kHz	39.1 kHz	78.1 kHz	156 kHz	250 kHz
1	0	0	0	f _{CLK} /2 ⁸	7.81 kHz	19.5 kHz	39.1 kHz	78.1 kHz	125 kHz
1	0	0	1	f _{CLK} /2 ⁹	3.91 kHz	9.77 kHz	19.5 kHz	39.1 kHz	62.5 kHz
1	0	1	0	f _{CLK} /2 ¹⁰	1.95 kHz	4.88 kHz	9.77 kHz	19.5 kHz	31.3 kHz
1	0	1	1	f _{CLK} /2 ¹¹	977 Hz	2.44 kHz	4.88 kHz	9.77 kHz	15.6 kHz
1	1	0	0	f _{CLK} /2 ¹² ^{Note2}	488 Hz	1.22 kHz	2.44 kHz	4.88 kHz	7.81 kHz
1	1	0	1	f _{CLK} /2 ¹³ ^{Note2}	244 Hz	610 Hz	1.22 kHz	2.44 kHz	3.91 kHz
1	1	1	0	f _{CLK} /2 ¹⁴ ^{Note2}	122 Hz	305 Hz	610 Hz	1.22 kHz	1.95 kHz
1	1	1	1	f _{CLK} /2 ¹⁵ ^{Note2}	61 Hz	153 Hz	305 Hz	610 Hz	977 Hz

Notes1. When changing the clock selected for f_{CLK} (by changing the system clock control register (CKC) value), do so after having stopped (serial channel stop register m (STm) = 0003H) the operation of the serial array units (SAUs).

2. unit 2 only.

Caution Be sure to clear bits 15 to 8 to 0.

Remarks 1. f_{CLK}: CPU/peripheral hardware clock frequency

f_{SUB}: Subsystem clock frequency

2. m: Unit number (m = 0-2), k = 0, 1

15.3.4 Serial mode register mn (SMRmn)

The SMRmn register is a register that sets an operation mode of channel n. It is also used to select an operation clock (f_{MCK}), specify whether the serial clock (f_{SCK}) may be input or not, set a start trigger, an operation mode (CSI, UART, or simplified I²C), and an interrupt source. This register is also used to invert the level of the receive data only in the UART mode.

Rewriting the SMRmn register is prohibited when the register is in operation (when SE_{mn} = 1). However, the MD_{mn0} bit can be rewritten during operation.

Set the SMRmn register by a 16-bit memory manipulation instruction.

Reset signal generation sets the SMRmn register to 0020H.

Figure 15-9. Format of Serial Mode Register mn (SMRmn) (1/2)

Address: F0108H, F0109H (SMR00), F010AH, F010BH (SMR01), After reset: 0020H R/W
 F0148H, F0149H (SMR10), F014AH, F014BH (SMR11)
 F0150H, F0151H (SMR20), F0152H, F0153H (SMR21)

Symbol	15	14	13	12	11	10	9	8	7	6	5	4	3	2	1	0
SMRmn	CKS mn	CCS mn	0	0	0	0	0	STS mn	0	SIS mn0	1	0	0	MD mn2	MD mn1	MD mn0

CKS mn	Selection of operation clock (f _{MCK}) of channel n
0	Operation clock CK _{m0} set by the SPS _m register
1	Operation clock CK _{m1} set by the SPS _m register
Operation clock (f _{MCK}) is used by the edge detector. In addition, depending on the setting of the CCS _{mn} bit and the higher 7 bits of the SDR _{mn} register, a transfer clock (f _{TCLK}) is generated.	

CCS mn	Selection of transfer clock (f _{TCLK}) of channel n
0	Divided operation clock f _{MCK} specified by the CKS _{mn} bit
1	Clock input f _{SCK} from the \overline{SCKp} pin (slave transfer in CSI mode)
Transfer clock f _{TCLK} is used for the shift register, communication controller, output controller, interrupt controller, and error controller. When CCS _{mn} = 0, the division ratio of operation clock (f _{MCK}) is set by the higher 7 bits of the SDR _{mn} register.	

STS mn	Selection of start trigger source
0	Only software trigger is valid (selected for CSI, UART transmission, and simplified I ² C).
1	Valid edge of the RXD _q pin (selected for UART reception)
Transfer is started when the above source is satisfied after 1 is set to the SSM register.	

Caution Be sure to clear bits 13 to 9, 7, 4, and 3 to 0. Be sure to set bit 5 to 1.

Remark m: Unit number (m = 0-2), n: Channel number (n = 0, 1), p: CSI number (p = 00, 01, 10, 11, 20, 21),
 q: UART number (q = 0-2), r: IIC number (r = 00, 01, 10, 11)

Figure 15-9. Format of Serial Mode Register mn (SMRmn) (2/2)

Address: F0108H, F0109H (SMR00), F010AH, F010BH (SMR01), After reset: 0020H R/W
 F0148H, F0149H (SMR10), F014AH, F014BH (SMR11)
 F0150H, F0151H (SMR20), F0152H, F0153H (SMR21)

Symbol	15	14	13	12	11	10	9	8	7	6	5	4	3	2	1	0
SMRmn	CKS mn	CCS mn	0	0	0	0	0	STS mn	0	SIS mn0	1	0	0	MD mn2	MD mn1	MD mn0

SIS mn0	Controls inversion of level of receive data of channel n in UART mode	
0	Falling edge is detected as the start bit. The input communication data is captured as is.	
1	Rising edge is detected as the start bit. The input communication data is inverted and captured.	

MD mn2	MD mn1	Setting of operation mode of channel n
0	0	CSI mode
0	1	UART mode
1	0	Simplified I ² C mode
1	1	Setting prohibited

MD mn0	Selection of interrupt source of channel n
0	Transfer end interrupt
1	Buffer empty interrupt (Occurs when data is transferred from the SDRmn register to the shift register.)
For successive transmission, the next transmit data is written by setting the MDmn0 bit to 1 when SDRmn data has run out.	

Caution Be sure to clear bits 13 to 9, 7, 4, and 3 to 0. Be sure to set bit 5 to 1.

Remark m: Unit number (m = 0-2), n: Channel number (n = 0, 1), p: CSI number (p = 00, 01, 10, 11, 20, 21),
 q: UART number (q = 0-2), r: IIC number (r = 00, 01, 10, 11)

15.3.5 Serial communication operation setting register mn (SCRmn)

The SCRmn register is a communication operation setting register of channel n. It is used to set a data transmission/reception mode, phase of data and clock, whether an error signal is to be masked or not, parity bit, start bit, stop bit, and data length.

Rewriting the SCRmn register is prohibited when the register is in operation (when SEMn = 1).

Set the SCRmn register by a 16-bit memory manipulation instruction.

Reset signal generation sets the SCRmn register to 0087H.

Figure 15-10. Format of Serial Communication Operation Setting Register mn (SCRmn) (1/3)

Address: F010CH, F010DH (SCR00), F010EH, F010FH (SCR01), After reset: 0087H R/W
 F014CH, F014DH (SCR10), F014EH, F014FH (SCR11)
 F0158H, F0159H (SCR20), F015AH, F015BH (SCR21)

Symbol	15	14	13	12	11	10	9	8	7	6	5	4	3	2	1	0
SCRmn	TXE mn	RXE mn	DAP mn	CKP mn	0	EOC mn <small>Note1</small>	PTC mn1	PTC mn0	DIR mn	0	SLC mn1	SLC mn0	DLS mn3	DLS mn2 <small>Note2</small>	DLS mn1 <small>Note2</small>	DLS mn0

TXE mn	RXE mn	Setting of operation mode of channel n
0	0	Disable communication.
0	1	Reception only
1	0	Transmission only
1	1	Transmission/reception

DAP mn	CKP mn	Selection of data and clock phase in CSI mode	Type
0	0	<p>\overline{SCKp} SOp SIp input timing</p>	1
0	1	<p>\overline{SCKp} SOp SIp input timing</p>	2
1	0	<p>\overline{SCKp} SOp SIp input timing</p>	3
1	1	<p>\overline{SCKp} SOp SIp input timing</p>	4

Be sure to set DAPmn, CKPmn = 0, 0 in the UART mode and simplified I²C mode. Set CKPmn to 1, when SSEmn = 1 (Enables SSI_{mn} pin input).

EOCmn <small>Note1</small>	Error interrupt output control
0	Masks error interrupt signal output by a channel
1	Interrupt signal is not masked

- Notes** 1. m = 2 only.
 2. m = 0, 1 only.

Caution m = 0, 1 : Be sure to clear bits 6, 10, and 11 to 0.
 m = 2 : Be sure to clear bits 3, 6, and 11 to 0. Be sure to set bit 2 to 1.

Remark m: Unit number (m = 0-2), n: Channel number (n = 0, 1), p: CSI number (p = 00, 01, 10, 11, 20, 21)

Figure 15-10. Format of Serial Communication Operation Setting Register mn (SCRmn) (2/3)

Address: F010CH, F0110DH (SCR00), F010EH, F010FH (SCR01), After reset: 0087H R/W
 F014CH, F014DH (SCR10), F014EH, F014FH (SCR11)
 F0158H, F0159H (SCR20), F015AH, F015BH (SCR21)

Symbol	15	14	13	12	11	10	9	8	7	6	5	4	3	2	1	0
SCRmn	TXE mn	RXE mn	DAP mn	CKP mn	0	EOC mn Note1	PTC mn1	PTC mn0	DIR mn	0	SLC mn1	SLC mn0	DLS mn3 Note2	DLS mn2 Note2	DLS mn1	DLS mn0

PTC mn1	PTC mn0	Setting of parity bit in UART mode	
		Transmission	Reception
0	0	Does not output the parity bit.	
0	1	Outputs 0 parity ^{Note3} .	
1	0	Outputs even parity.	
1	1	Outputs odd parity.	
Be sure to set PTCmn1, PTCmn0 = 0, 0 in the CSI mode and simplified I ² C mode.			

DIR mn	Selection of data transfer sequence in CSI and UART modes	
	0	Inputs/outputs data with MSB first.
	1	Inputs/outputs data with LSB first.
Be sure to clear DIRmn = 0 in the simplified I ² C mode.		

SLCm n1	SLC mn0	Setting of stop bit in UART mode	
		0	No stop bit
		0	Stop bit length = 1 bit
		1	Stop bit length = 2 bits (mn = 00, 10, 20 only)
		1	Setting prohibited
When the transfer end interrupt is selected, the interrupt is generated when all stop bits have been completely transferred. Set 1 bit (SLCmn1, SLCmn0 = 0, 1) during UART reception and in the simplified I ² C mode. Set no stop bit (SLCmn1, SLCmn0 = 0, 0) in the CSI mode.			

- Notes** 1. m = 2 only.
 2. m = 0, 1 only.
 3. "0" is always added regardless of the contents of data.

Caution m = 0, 1 : Be sure to clear bits 6, 10, and 11 to 0.
 m = 2 : Be sure to clear bits 3, 6, and 11 to 0. Be sure to set bit 2 to 1.

Remark m: Unit number (m = 0-2), n: Channel number (n = 0, 1), p: CSI number (p = 00, 01, 10, 11, 20, 21)

Figure 15-10. Format of Serial Communication Operation Setting Register mn (SCRmn) (3/3)

Address: F010CH, F0110DH (SCR00), F010EH, F010FH (SCR01), After reset: 0087H R/W
 F014CH, F014DH (SCR10), F014EH, F014FH (SCR11)
 F0158H, F0159H (SCR20), F015AH, F015BH (SCR21)

Symbol	15	14	13	12	11	10	9	8	7	6	5	4	3	2	1	0
SCRmn	TXE mn	RXE mn	DAP mn	CKP mn	0	EOC mn <small>Note1</small>	PTC mn1	PTC mn0	DIR mn	0	SLC mn1	SLC mn0	DLS mn3 <small>Note2</small>	DLS mn2 <small>Note2</small>	DLS mn1	DLS mn0

m = 0, 1

DLS mn3	DLS mn2	DLS mn1	DLS mn0	Setting of data length in CSI, UART mode	Serial function		
					CSI	UART	IIC
0	1	1	0	7 bits (stored in bits 0 to 6 of SDRmn register)	√	√	-
0	1	1	1	8 bits (stored in bits 0 to 7 of SDRmn register)	√	√	√
1	0	0	0	9 bits (stored in bits 0 to 8 of SDRmn register)	√	√	-
1	0	0	1	10 bits (stored in bits 0 to 9 of SDRmn register)	√	-	-
1	0	1	0	11 bits (stored in bits 0 to 10 of SDRmn register)	√	-	-
1	0	1	1	12 bits (stored in bits 0 to 11 of SDRmn register)	√	-	-
1	1	0	0	13 bits (stored in bits 0 to 12 of SDRmn register)	√	-	-
1	1	0	1	14 bits (stored in bits 0 to 13 of SDRmn register)	√	-	-
1	1	1	0	15 bits (stored in bits 0 to 14 of SDRmn register)	√	-	-
1	1	1	1	16 bits (stored in bits 0 to 15 of SDRmn register)	√	√	-
Other than above				Setting prohibited			
Set DLSmn3 to DLSmn0 to 0111B in the simplified I ² C mode.							

DLS mn1	DLS mn0	Setting of data length in CSI, UART mode	Serial function	
			CSI	UART
0	1	9 bits (stored in bits 0 to 8 of SDRmn register)	-	√
1	0	7 bits (stored in bits 0 to 6 of SDRmn register)	√	√
1	1	8 bits (stored in bits 0 to 7 of SDRmn register)	√	√
Other than above		Setting prohibited		

- Notes**
- m = 2 only.
 - m = 0, 1 only.

Caution m = 0, 1 : Be sure to clear bits 6, 10, and 11 to 0.
 m = 2 : Be sure to clear bits 3, 6, and 11 to 0. Be sure to set bit 2 to 1.

Remark m: Unit number (m = 0-2), n: Channel number (n = 0, 1), p: CSI number (p = 00, 01, 10, 11, 20, 21)

15.3.6 Higher 7 bits of the serial data register mn (SDRmn)

The SDRmn register is the transmit/receive data register (16 bits) of channel n.

If operation is stopped (SEmn = 0), bits 15 to 9 are used as a register that sets the division ratio of the operation clock (fmck). If operation is in progress (SEmn = 1), the SDRmn register functions as a transmit/receive buffer register.

If the CCSmn bit of the serial mode register mn (SMRmn) is cleared to 0, the clock set by dividing the operating clock by the higher 7 bits of the SDRmn register is used as the transfer clock.

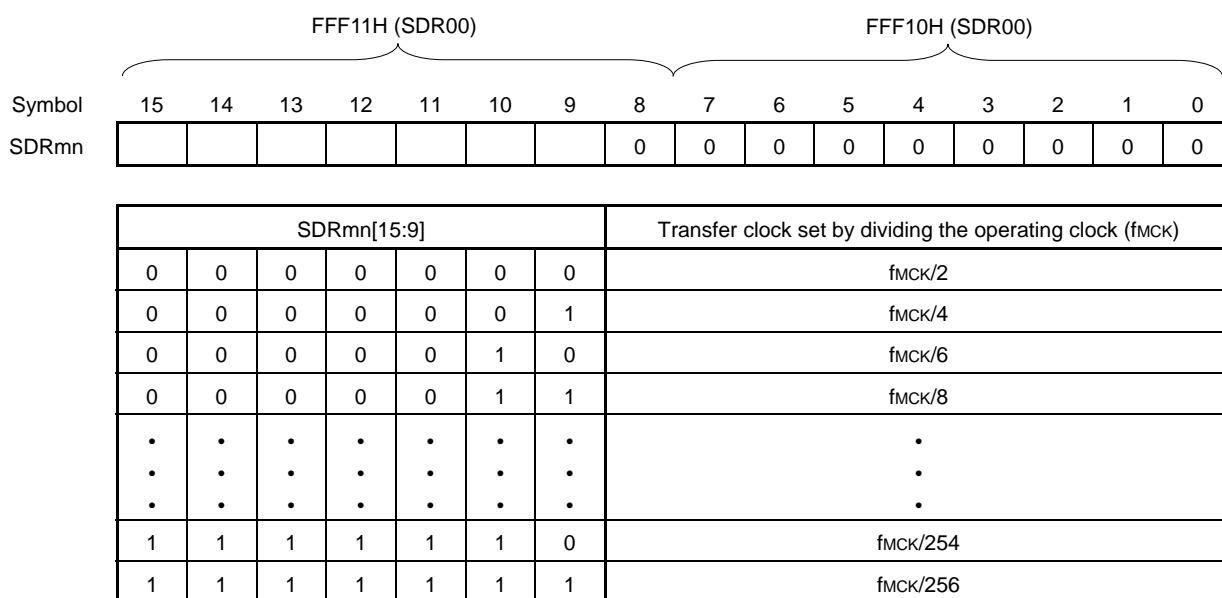
For the function of the SDR register when operation is in progress, see **15.2 Configuration of Serial Array Unit**.

SDRmn can be read or written in 16-bit units.

Reset signal generation clears the SDRmn register to 0000H.

Figure 15-11. Format of Serial Data Register mn (SDRmn)

Address: FFF10H, FFF11H (SDR00), FFF12H, FFF13H (SDR01) After reset: 0000H R/W
 FFF48H, FFF49H (SDR10), FFF4AH, FFF4BH (SDR11)
 FFF48H, FFF49H (SDR20), FFF4AH, FFF4BH (SDR21)



- Cautions**
1. Be sure to clear bits 8 to 0 to 0 if operation is stopped (SEmn = 0).
 2. Setting SDRmn[15:9] = (0000000B, 0000001B) is prohibited when UART is used.
 3. Setting SDRmn[15:9] = 0000000B is prohibited when simplified I²C is used. Set SDRmn[15:9] to 0000001B or greater.
 4. Do not write eight bits to the lower eight bits if operation is stopped (SEmn = 0). (If these bits are written to, the higher seven bits are cleared to 0.)

- Remarks**
1. For the function of the SDRmn register when operation is in progress (SEmn = 1), see **15.2 Configuration of Serial Array Unit**.
 2. m: Unit number (m = 0-2), n: Channel number (n = 0, 1)

15.3.7 Serial flag clear trigger register mn (SIRmn)

The SIRmn register is a trigger register that is used to clear each error flag of channel n.

When each bit (FECTmn, PECTmn, OVCTmn) of this register is set to 1, the corresponding bit (FEFmn, PEFmn, OVFmn) of the serial status register mn is cleared to 0. Because the SIRmn register is a trigger register, it is cleared immediately when the corresponding bit of the SSRmn register is cleared.

Set the SIRmn register by a 16-bit memory manipulation instruction.

Set the lower 8 bits of the SIRmn register with an 8-bit memory manipulation instruction with SIRmnL.

Reset signal generation clears the SIRmn register to 0000H.

Figure 15-12. Format of Serial Flag Clear Trigger Register mn (SIRmn)

Address: F0104H, F0105H (SIR00), F0106H, F0107H (SIR01), After reset: 0000H R/W
 F0144H, F0145H (SIR10), F0146H, F0147H (SIR11)
 F0148H, F0149H (SIR20), F014AH, F014BH (SIR21)

Symbol	15	14	13	12	11	10	9	8	7	6	5	4	3	2	1	0
SIRmn	0	0	0	0	0	0	0	0	0	0	0	0	0	FECTmn ^{Note}	PEC Tmn	OVC Tmn

FEC Tmn	Clear trigger of framing error of channel n														
0	Not cleared														
1	Clears the FEFmn bit of the SSRmn register to 0.														

PEC Tmn	Clear trigger of parity error flag of channel n														
0	Not cleared														
1	Clears the PEFmn bit of the SSRmn register to 0.														

OVC Tmn	Clear trigger of overrun error flag of channel n														
0	Not cleared														
1	Clears the OVFmn bit of the SSRmn register to 0.														

Note Unit 2 incorporates only SIR21.

Cautions 1. Be sure to clear bits 15 to 3 to 0.

2. Use the SIRmn register to clear only the error flag set in the SSRmn register. If the error flag not set in this register is cleared, the flag may be erased when an error is detected from reading to clearing this error flag.

Remarks 1. m: Unit number (m = 0-2), n: Channel number (n = 0, 1)

2. When the SIRmn register is read, 0000H is always read.

3. If the clear trigger bit is set to 1 and the corresponding error flag is set to 1 at the same time, the error flag setting is prioritized.

15.3.8 Serial status register mn (SSRmn)

The SSRmn register is a register that indicates the communication status and error occurrence status of channel n. The errors indicated by this register are a framing error, parity error, and overrun error. The SSRmn register can be read by a 16-bit memory manipulation instruction. The lower 8 bits of the SSRmn register can be read with an 8-bit memory manipulation instruction with SSRmnL. Reset signal generation clears the SSRmn register to 0000H.

Figure 15-13. Format of Serial Status Register mn (SSRmn) (1/2)

Address: F0100H, F0101H (SSR00), F0102H, F0103H (SSR01), After reset: 0000H R
 F0140H, F0141H (SSR10), F0142H, F0143H (SSR11)
 F0140H, F0141H (SSR20), F0142H, F0143H (SSR21)

Symbol	15	14	13	12	11	10	9	8	7	6	5	4	3	2	1	0
SSRmn	0	0	0	0	0	0	0	0	0	TSF mn	BFF mn	0	0	FEF mn ^{Note}	PEF mn	OVF mn

TSF mn	Communication status indication flag of channel n
0	Communication is stopped or suspended.
1	Communication is in progress.
<Clear conditions>	
<ul style="list-style-type: none"> The STmn bit of the STm register is set to 1 (communication is stopped) or the SSmn bit of the SSm register is set to 1 (communication is suspended). Communication ends. 	
<Set condition>	
<ul style="list-style-type: none"> Communication starts. 	

BFF mn	Buffer register status indication flag of channel n
0	Valid data is not stored in the SDRmn register.
1	Valid data is stored in the SDRmn register.
<Clear conditions>	
<ul style="list-style-type: none"> Transferring transmit data from the SDRmn register to the shift register ends during transmission. Reading receive data from the SDRmn register ends during reception. The STmn bit of the STm register is set to 1 (communication is stopped) or the SSmn bit of the SSm register is set to 1 (communication is enabled). 	
<Set conditions>	
<ul style="list-style-type: none"> Transmit data is written to the SDRmn register while the TXEmn bit of the SCRmn register is set to 1 (transmission or transmission and reception mode in each communication mode). Receive data is stored in the SDRmn register while the RXEmn bit of the SCRmn register is set to 1 (reception or transmission and reception mode in each communication mode). A reception error occurs. 	

Note Unit 2 incorporates only SSR21.

- Cautions**
- If data is written to the SDRmn register when BFFmn = 1, the transmit/receive data stored in the register is discarded and an overrun error (OVEmn = 1) is detected
 - The BFFmn flag does not change at CSI reception in SNOOZE mode (m = 2, n = 0, 1 only).

Remark m: Unit number (m = 0-2), n: Channel number (n = 0, 1)

Figure 15-13. Format of Serial Status Register mn (SSRmn) (2/2)

Address: F0100H, F0101H (SSR00), F0102H, F0103H (SSR01), After reset: 0000H R
 F0140H, F0141H (SSR10), F0142H, F0143H (SSR11)
 F0140H, F0141H (SSR20), F0142H, F0143H (SSR21)

Symbol	15	14	13	12	11	10	9	8	7	6	5	4	3	2	1	0
SSRmn	0	0	0	0	0	0	0	0	0	TSF mn	BFF mn	0	0	FEF mn	PEF mn	OVF mn

FEFm n	Framing error detection flag of channel n
0	No error occurs.
1	An error occurs (during UART reception).
<Clear condition> <ul style="list-style-type: none"> • 1 is written to the FECTmn bit of the SIRmn register. <Set condition> <ul style="list-style-type: none"> • A stop bit is not detected when UART reception ends. 	

PEF mn	Parity error detection flag of channel n
0	No error occurs.
1	An error occurs (during UART reception) or ACK is not detected (during I ² C transmission).
<Clear condition> <ul style="list-style-type: none"> • 1 is written to the PECTmn bit of the SIRmn register. <Set condition> <ul style="list-style-type: none"> • The parity of the transmit data and the parity bit do not match when UART reception ends (parity error). • No ACK signal is returned from the slave channel at the ACK reception timing during I²C transmission (ACK is not detected). 	

OVF mn	Overflow error detection flag of channel n
0	No error occurs.
1	An error occurs.
<Clear condition> <ul style="list-style-type: none"> • 1 is written to the OVCTmn bit of the SIRmn register. <Set condition> <ul style="list-style-type: none"> • Even though receive data is stored in the SDRmn register, that data is not read and transmit data or the next receive data is written while the RXEmn bit of the SCRmn register is set to 1 (reception or transmission and reception mode in each communication mode). • Transmit data is not ready for slave transmission or transmission and reception in CSI mode. 	

Remark m: Unit number (m = 0-2), n: Channel number (n = 0, 1)

15.3.9 Serial channel start register m (SSm)

The SSm register is a trigger register that is used to enable starting communication/count by each channel. When 1 is written a bit of this register (SSmn), the corresponding bit (SEmn) of serial channel enable status register m (SEm) is set to 1 (Operation is enabled). Because the SSmn bit is a trigger bit, it is cleared immediately when SEmn = 1.

Set the SSm register by a 16-bit memory manipulation instruction.

Set the lower 8 bits of the SSm register with an 1-bit or 8-bit memory manipulation instruction with SSmL.

Reset signal generation clears the SSm register to 0000H.

Figure 15-14. Format of Serial Channel Start Register m (SSm)

Address: F0112H, F0113H (SS0) After reset: 0000H R/W

Symbol	15	14	13	12	11	10	9	8	7	6	5	4	3	2	1	0
SS0	0	0	0	0	0	0	0	0	0	0	0	0	0	0	SS01	SS00

Address: F0152H, F0153H (SS1) After reset: 0000H R/W

Symbol	15	14	13	12	11	10	9	8	7	6	5	4	3	2	1	0
SS1	0	0	0	0	0	0	0	0	0	0	0	0	0	0	SS11	SS10

Address: F0162H, F0163H (SS2) After reset: 0000H R/W

Symbol	15	14	13	12	11	10	9	8	7	6	5	4	3	2	1	0
SS2	0	0	0	0	0	0	0	0	0	0	0	0	0	0	SS21	SS20

SSmn	Operation start trigger of channel n
0	No trigger operation
1	Sets the SEmn bit to 1 and enters the communication wait status ^{Note} .

Note If a communication operation is already under execution, the operation is stopped.

The value of the control register and shift register, and the status of the serial clock I/O pin, serial data output pin, and each error flag (FEFmn: framing error flag, PEFmn: parity error flag, OVFMn: overrun error flag) are held.

- Cautions**
1. Be sure to clear bits 15 to 2 of the SSm register.
 2. For the UART reception, set the RXEmn bit of SCRmn register to 1, and then be sure to set SSmn to 1 after 4 or more fMCK clocks have elapsed.

- Remarks**
1. m: Unit number (m = 0-2), n: Channel number (n = 0, 1)
 2. When the SSm register is read, 0000H is always read.

15.3.10 Serial channel stop register m (STm)

The STm register is a trigger register that is used to enable stopping communication/count by each channel. When 1 is written a bit of this register (STmn), the corresponding bit (SEmn) of serial channel enable status register m (SEm) is cleared to 0 (operation is stopped). Because the STmn bit is a trigger bit, it is cleared immediately when SEmn = 0.

Set the STm register by a 16-bit memory manipulation instruction.

Set the lower 8 bits of the STm register with a 1-bit or 8-bit memory manipulation instruction with STmL.

Reset signal generation clears the STm register to 0000H.

Figure 15-15. Format of Serial Channel Stop Register m (STm)

Address: F0114H, F0115H (ST0) After reset: 0000H R/W

Symbol	15	14	13	12	11	10	9	8	7	6	5	4	3	2	1	0
ST0	0	0	0	0	0	0	0	0	0	0	0	0	0	0	ST01	ST00

Address: F0154H, F0155H (ST1) After reset: 0000H R/W

Symbol	15	14	13	12	11	10	9	8	7	6	5	4	3	2	1	0
ST1	0	0	0	0	0	0	0	0	0	0	0	0	0	0	ST11	ST10

Address: F0164H, F0165H (ST2) After reset: 0000H R/W

Symbol	15	14	13	12	11	10	9	8	7	6	5	4	3	2	1	0
ST2	0	0	0	0	0	0	0	0	0	0	0	0	0	0	ST21	ST20

STm n	Operation stop trigger of channel n
0	No trigger operation
1	Clears the SEmn bit to 0 and stops the communication operation ^{Note} .

Note Communication stops while holding the value of the control register and shift register, and the status of the serial clock I/O pin, serial data output pin, and each error flag (FEFmn: framing error flag, PEFmn: parity error flag, OVFmn: overrun error flag).

Caution Be sure to clear bits 15 to 2 of the STm register.

Remarks 1. m: Unit number (m = 0-2), n: Channel number (n = 0, 1)
 2. When the STm register is read, 0000H is always read.

15.3.11 Serial channel enable status register m (SEm)

The SE_m register indicates whether data transmission/reception operation of each channel is enabled or stopped. When 1 is written a bit of serial channel start register m (SS_m), the corresponding bit of this register is set to 1. When 1 is written a bit of serial channel stop register m (ST_m), the corresponding bit is cleared to 0. Channel n that is enabled to operate cannot rewrite by software the value of the CKO_{mn} bit (serial clock output of channel n) of serial output register m (SO_m) to be described below, and a value reflected by a communication operation is output from the serial clock pin. Channel n that stops operation can set the value of the CKO_{mn} bit of the SO_m register by software and output its value from the serial clock pin. In this way, any waveform, such as that of a start condition/stop condition, can be created by software. Read the SE_m register by a 16-bit memory manipulation instruction. Read the lower 8 bits of the SE_m register with a 1-bit or 8-bit memory manipulation instruction with SF_mL. Reset signal generation clears the SE_m register to 0000H.

Figure 15-16. Format of Serial Channel Enable Status Register m (SEm)

Address: F0110H, F0111H (SE0) After reset: 0000H R

Symbol	15	14	13	12	11	10	9	8	7	6	5	4	3	2	1	0
SE0	0	0	0	0	0	0	0	0	0	0	0	0	0	0	SE01	SE00

Address: F0150H, F0151H (SE1) After reset: 0000H R

Symbol	15	14	13	12	11	10	9	8	7	6	5	4	3	2	1	0
SE1	0	0	0	0	0	0	0	0	0	0	0	0	0	0	SE11	SE10

Address: F0160H, F0161H (SE2) After reset: 0000H R

Symbol	15	14	13	12	11	10	9	8	7	6	5	4	3	2	1	0
SE2	0	0	0	0	0	0	0	0	0	0	0	0	0	0	SE21	SE20

SE _{mn}	Indication of operation enable/stop status of channel n
0	Operation stops ^{Note}
1	Operation is enabled.

Note The control register, shift register value, serial clock I/O pin, serial data output pin, and error flags (FEF_{mn}: framing error flag, PEF_{mn}: parity error flag, OVF_{mn}: over error flag) are stopped with the state retained. Bits 6 and 5 (TSF_{mn} and BFF_{mn}) in the SSR_{mn} register are cleared.

Remark m: Unit number (m = 0-2), n: Channel number (n = 0, 1)

15.3.12 Serial output enable register m (SOEm)

The SOEm register is a register that is used to enable or stop output of the serial communication operation of each channel.

Channel n that enables serial output cannot rewrite by software the value of the SOMn bit of serial output register m (SOM) to be described below, and a value reflected by a communication operation is output from the serial data output pin.

For channel n, whose serial output is stopped, the SOMn bit value of the SOM register can be set by software, and that value can be output from the serial data output pin. In this way, any waveform of the start condition and stop condition can be created by software.

Set the SOEm register by a 16-bit memory manipulation instruction.

Set the lower 8 bits of the SOEm register with a 1-bit or 8-bit memory manipulation instruction with SOEmL.

Reset signal generation clears the SOEm register to 0000H.

Figure 15-17. Format of Serial Output Enable Register m (SOEm)

Address: F011AH, F011BH (SOE0) After reset: 0000H R/W

Symbol	15	14	13	12	11	10	9	8	7	6	5	4	3	2	1	0
SOE0	0	0	0	0	0	0	0	0	0	0	0	0	0	0	SOE01	SOE00

Address: F015AH, F015BH (SOE1) After reset: 0000H R/W

Symbol	15	14	13	12	11	10	9	8	7	6	5	4	3	2	1	0
SOE1	0	0	0	0	0	0	0	0	0	0	0	0	0	0	SOE11	SOE10

Address: F016AH, F016BH (SOE2) After reset: 0000H R/W

Symbol	15	14	13	12	11	10	9	8	7	6	5	4	3	2	1	0
SOE2	0	0	0	0	0	0	0	0	0	0	0	0	0	0	SOE21	SOE20

SOEmn	Serial output enable/stop of channel n														
0	Stops output by serial communication operation.														
1	Enables output by serial communication operation.														

Caution Be sure to clear bits 15 to 2 of the SOEm register.

Remark m: Unit number (m = 0-2), n: Channel number (n = 0, 1)

15.3.13 Serial output register m (SOM)

The SOM register is a buffer register for serial output of each channel.

The value of the SOMn bit of this register is output from the serial data output pin of channel n.

The value of the CKOm_n bit of this register is output from the serial clock output pin of channel n.

The SOMn bit of this register can be rewritten by software only when serial output is disabled (SOEm_n = 0). When serial output is enabled (SOEm_n = 1), rewriting by software is ignored, and the value of the register can be changed only by a serial communication operation.

The CKOm_n bit of this register can be rewritten by software only when the channel operation is stopped (SEm_n = 0). While channel operation is enabled (SEm_n = 1), rewriting by software is ignored, and the value of the CKOm_n bit can be changed only by a serial communication operation.

To use the pin for serial interface as a port function pin, set the corresponding CKOm_n and SOMn bits to 1.

Set the SOM register by a 16-bit memory manipulation instruction.

Reset signal generation clears the SOM register to 0303H.

Figure 15-18. Format of Serial Output Register m (SOM)

Address: F0118H, F0119H (SO0) After reset: 0303H R/W

Symbol	15	14	13	12	11	10	9	8	7	6	5	4	3	2	1	0
SO0	0	0	0	0	0	0	CKO 01	CKO 00	0	0	0	0	0	0	SO 01	SO 00

Address: F0158H, F0159H (SO1) After reset: 0303H R/W

Symbol	15	14	13	12	11	10	9	8	7	6	5	4	3	2	1	0
SO1	0	0	0	0	0	0	CKO 11	CKO 10	0	0	0	0	0	0	SO 11	SO 10

Address: F0168H, F0169H (SO2) After reset: 0303H R/W

Symbol	15	14	13	12	11	10	9	8	7	6	5	4	3	2	1	0
SO2	0	0	0	0	0	0	CKO 21	CKO 20	0	0	0	0	0	0	SO 21	SO 20

CKO mn	Serial clock output of channel n															
0	Serial clock output value is 0.															
1	Serial clock output value is 1.															

SO mn	Serial data output of channel n															
0	Serial data output value is 0.															
1	Serial data output value is 1.															

Caution Be sure to clear bits 15 to 12 and 7 to 2 of the SOM register to 0.

Remark m: Unit number (m = 0-2), n: Channel number (n = 0, 1)

15.3.14 Serial output level register m (SOLm)

The SOLm register is a register that is used to set inversion of the data output level of each channel.
 This register can be set only in the UART mode. Be sure to set 0 for corresponding bit in the CSI mode and simplifies I²C mode.
 Inverting channel n by using this register is reflected on pin output only when serial output is enabled (SOEmn = 1).
 When serial output is disabled (SOEmn = 0), the value of the SOMn bit is output as is.
 Rewriting the SOLm register is prohibited when the register is in operation (when SEMn = 1).
 Set the SOLm register by a 16-bit memory manipulation instruction.
 Set the lower 8 bits of the SOLm register with an 8-bit memory manipulation instruction with SOLmL.
 Reset signal generation clears the SOLm register to 0000H.

Figure 15-19. Format of Serial Output Level Register m (SOLm)

Address: F0120H, F0121H (SOL0) After reset: 0000H R/W

Symbol	15	14	13	12	11	10	9	8	7	6	5	4	3	2	1	0
SOL0	0	0	0	0	0	0	0	0	0	0	0	0	0	0	SOL 01	SOL 00

Address: F0160H, F0161H (SOL1) After reset: 0000H R/W

Symbol	15	14	13	12	11	10	9	8	7	6	5	4	3	2	1	0
SOL1	0	0	0	0	0	0	0	0	0	0	0	0	0	0	SOL 11	SOL 10

Address: F0174H, F0175H (SOL2) After reset: 0000H R/W

Symbol	15	14	13	12	11	10	9	8	7	6	5	4	3	2	1	0
SOL2	0	0	0	0	0	0	0	0	0	0	0	0	0	0	SOL 21	SOL 20

SOL mn	Selects inversion of the level of the transmit data of channel n in UART mode															
0	Communication data is output as is.															
1	Communication data is inverted and output.															

Caution Be sure to clear bits 15 to 2 of the SOL0 and SOL1 registers and bits 15 to 1 of the SOL2 register to 0. SOL2 register is only at m = 2, n = 0.

Remark m: Unit number (m = 0-2), n: Channel number (n = 0, 1)

15.3.15 Serial slave select enable register m (SSEm)

The SSEm register controls the \overline{SSImn} pin input of the channel during CSI communication and in slave mode. While a high-level signal is being input to the \overline{SSImn} pin, no transmission/reception operation is performed even if a serial clock is input. While a low-level signal is being input to the \overline{SSImn} pin, a transmission/reception operation is performed according to each mode setting if a serial clock is input. Reset signal generation clears the SSEm register to 0000H.

- Cautions** 1. Writing is prohibited other than during CSI communication and in slave mode.
- 2. Can be set only when the SAU is stopped (SEmn = 0).

Figure 15-20. Format of Serial Slave Select Enable Register m (SSEm)

Address: F0122H, F0123H (SSE0) After reset: 0000H R/W

Symbol	15	14	13	12	11	10	9	8	7	6	5	4	3	2	1	0
SSE0	0	0	0	0	0	0	0	0	0	0	0	0	0	0	SSE 01	SSE 00

Address: F0162H, F0163H (SSE1) After reset: 0000H R/W

Symbol	15	14	13	12	11	10	9	8	7	6	5	4	3	2	1	0
SSE1	0	0	0	0	0	0	0	0	0	0	0	0	0	0	SSE 11	SSE 10

SSEmn ^{Note}	Channel n \overline{SSImn} input setting in CSI communication and slave mode
0	Disables \overline{SSImn} pin input.
1	Enables \overline{SSImn} pin input.

Note Set CKPmn bit of SCRmn register to 1, when SSEmn = 1.

Caution Be sure to clear bits 15 to 2 to 0.

Remark m: Unit number (m = 0, 1), n: Channel number (n = 0, 1)

15.3.16 Serial Standby control register m (SSCm)

The SSCm register controls the start of reception during SNOOZE mode by CSI20 serial data reception.

The SSCm register can be set by a 16-bit memory manipulation instruction.

The lower 8 bits of the SSCm register can be set with an 8-bit memory manipulation instruction with SSCmL.

Reset signal generation clears the SSCm register to 0000H.

Figure 15-21. Format of Serial Standby control Register m (SSCm)

Address: F0178H, F0179H (SSC2) After reset: 0000H R/W

Symbol	15	14	13	12	11	10	9	8	7	6	5	4	3	2	1	0	
SSC2	0	0	0	0	0	0	0	0	0	0	0	0	0	0	0	0	SWC 2

SWCm	Enable/disable start of CSIm0 reception in STOP mode
0	Disables start of reception in STOP mode.
1	Enables start of reception in STOP mode. (Validates CSIm0 asynchronous reception)

Caution Be sure to clear bits 15 to 1 to 0.

Remark m: Unit number (m = 2)

15.3.17 Input switch control register (ISC)

The ISC0 bit of the ISC register is used to realize a LIN-bus communication operation by UART0. Set the ISC0 bit at the same time as setting the TIS17 and TIS16 bits in the TIS1 register (timer input select register 1).

When bit 0 is set to 1, the input signal of the serial data input (RXD0) pin is selected as an external interrupt (INTP0) that can be used to detect a wakeup signal by an INTP0 interrupt.

Set the ISC register by a 1-bit or 8-bit memory manipulation instruction.

Reset signal generation clears the ISC register to 00H.

Figure 15-22. Format of Input Switch Control Register (ISC)

Address: F0073H After reset: 00H R/W

Symbol	7	6	5	4	3	2	1	0
ISC	0	0	0	ISC4	ISC3	ISC2	0	ISC0

ISC4 ^{Note}	Switching external input (INTP14)
0	Uses the input signal of the INTP14 pin as an external interrupt input.
1	Uses the input signal of the LRXD2 pin as an external interrupt input.

ISC3	Switching external input (INTP12)
0	Uses the input signal of the INTP12 pin as an external interrupt input.
1	Uses the input signal of the LRXD1 pin as an external interrupt input.

ISC2	Switching external input (INTP11)
0	Uses the input signal of the INTP11 pin as an external interrupt input.
1	Uses the input signal of the LRXD0 pin as an external interrupt input.

ISC0	Switching external interrupt (INTP0) input
0	Uses the input signal of the INTP0 pin as an external interrupt (normal operation).
1	Uses the input signal of the RXD0 pin as an external interrupt (wakeup signal detection).

Note 144-, 100-pin only.

Caution Be sure to clear bits 7 to 5 and 1 to 0.
Be sure to set the ISC4 bit to 0 in 80-, 64-, 48-pin products.

15.3.18 Noise filter enable register 0 (NFEN0)

The NFEN0 register is used to set whether the noise filter can be used for the input signal from the serial data input pin to each channel.

Disable the noise filter of the pin used for CSI or simplified I²C communication, by clearing the corresponding bit of this register to 0.

Enable the noise filter of the pin used for UART communication, by setting the corresponding bit of this register to 1.

When the noise filter is enabled, CPU/peripheral hardware clock (f_{CLK}) is synchronized with 2-clock match detection. When the noise filter is OFF, only synchronization is performed with the CPU/peripheral hardware clock (f_{MCK}).

Set the NFEN0 register by a 1-bit or 8-bit memory manipulation instruction.

Reset signal generation clears the NFEN0 register to 00H.

Figure 15-23. Format of Noise Filter Enable Register 0 (NFEN0)

Address: F0070H (NFEN0)

After reset: 00H R/W

Symbol	7	6	5	4	3	2	1	0
NFEN0	0	0	0	SNFEN20 ^{Note}	0	SNFEN10	0	SNFEN00

SNFEN20 ^{Note}	Use of noise filter of RXD2 pin
0	Noise filter OFF
1	Noise filter ON
Set the SNFEN20 bit to 1 to use the RXD2 pin. Clear the SNFEN20 bit to 0 to use the other than RXD2 pin.	

Note 144-pin only.

SNFEN10	Use of noise filter of RXD1 pin
0	Noise filter OFF
1	Noise filter ON
Set the SNFEN10 bit to 1 to use the RXD1 pin. Clear the SNFEN10 bit to 0 to use the other than RXD1 pin.	

SNFEN00	Use of noise filter of RXD0 pin
0	Noise filter OFF
1	Noise filter ON
Set the SNFEN00 bit to 1 to use the RXD0 pin. Clear the SNFEN00 bit to 0 to use the other than RXD0 pin.	

15.3.19 Unit Select Register (UTSEL)

UTSEL register is used to select units subject to access.

Set the UTSEL register by a 1-bit or 8-bit memory manipulation instruction.

Reset signal generation clears the UTSEL register to 00H.

Figure 15-24. Format of Unit Select Register (UTSEL)

Address: F0210H (UTSEL) After reset: 00H R/W

Symbol	7	6	5	4	3	2	1	0
UTSEL	0	0	0	0	0	SSEL0 ^{Note1}	0	TSEL0 ^{Note2}

TSEL0 ^{Note2}	TAU control
0	TAU1 select (Accessible to registers of TAU1)
1	TAU2 select (Accessible to registers of TAU2)

SSEL0 ^{Note1}	SAU control
0	SAU1 select (Accessible to registers of SAU1)
1	SAU2 select (Accessible to registers of SAU2)

Notes 1. 144, 100-pin only.

2. 144-pin only

Caution Be sure to clear bits 7 to 3 and 1 to 0.

15.3.20 Port input mode registers 1, 3, 5 to 7, 12 (PIM1, PIM3, PIM5 to PIM7, PIM12)

These registers set the input buffer of ports 1, 3, 5 to 7, and 12 in 1-bit units.

Set the PIM1, PIM3, PIM5 to PIM7, and PIM12 registers by a 1-bit or 8-bit memory manipulation instruction.

Reset signal generation clears the PIM1, PIM3, PIM5 to PIM7, and PIM12 registers to 00H.

Figure 15-25. Format of Port Input Mode Registers 1, 3, 5 to 7, and 12 (PIM1, PIM3, PIM5 to PIM7, PIM12)

Address F0041H After reset: 00H R/W

Symbol	7	6	5	4	3	2	1	0
PIM1	PIM17	PIM16	0	PIM14	PIM13	0	PIM11	PIM10

Address F0043H After reset: 00H R/W

Symbol	7	6	5	4	3	2	1	0
PIM3	0	0	0	0	0	0	0	PIM30

Address F0045H After reset: 00H R/W

Symbol	7	6	5	4	3	2	1	0
PIM5	0	0	0	PIM54	0	0	0	0

Address F0046H After reset: 00H R/W

Symbol	7	6	5	4	3	2	1	0
PIM6	0	0	0	0	PIM63	PIM62	0	0

Address F0047H After reset: 00H R/W

Symbol	7	6	5	4	3	2	1	0
PIM7	0	0	0	0	PIM73	0	PIM71	PIM70

Address F004CH After reset: 00H R/W

Symbol	7	6	5	4	3	2	1	0
PIM12	0	0	PIM125	0	0	0	0	0

PIMmn	Pmn pin input buffer selection (m = 1, 3, 5 to 7, 12; n = 0, to 7)
0	Normal input buffer
1	TTL input buffer

15.3.21 Port output mode registers 1, 6, 7, 12 (POM1, POM6, POM7, POM12)

These registers set the output mode of ports 1, 6, 7, and 12 in 1-bit units.

Set the POM1, POM6, POM7, and POM12 registers by a 1-bit or 8-bit memory manipulation instruction.

Reset signal generation clears the POM1, POM6, POM7, and POM12 registers to 00H.

Figure 15-26. Format of Port Output Mode Registers 1, 6, 7, and 12 (POM1, POM6, POM7, POM12)

Address F0051H After reset: 00H R/W

Symbol	7	6	5	4	3	2	1	0
POM1	POM17	POM16	POM15	POM14	POM13	POM12	POM11	POM10

Address F0056H After reset: 00H R/W

Symbol	7	6	5	4	3	2	1	0
POM6	0	0	0	0	POM63	POM62	POM61	POM60

Address F0057H After reset: 00H R/W

Symbol	7	6	5	4	3	2	1	0
POM7	0	0	0	0	0	POM72	POM71	POM70

Address F005CH After reset: 00H R/W

Symbol	7	6	5	4	3	2	1	0
POM12	0	0	0	0	0	0	0	POM120

POMmn	Pmn pin output buffer selection (m = 1, 6, 7, 12; n = 0 to 7)
0	Normal output mode
1	N-ch open-drain output (EV _{DD0} tolerance) mode

Caution Be sure to set bits for pins that are not present to their initial values.

15.3.22 Port mode registers 0 to 7, 12, 15 (PM0 to PM7, PM12, PM15)

These registers set input/output of ports 0 to 7, 12, and 15 in 1-bit units.

When using the port (P12) to be shared with the serial data output pin or serial clock output pin for serial data output or serial clock output, set the bit in the port mode register (PMxx) corresponding to each port to 0. And set the bit in the port register (Pxx) corresponding to each port to 1

Example: When using P12/TI11/TO11/(TRDI0D0)/INTP5/SO10/TXD1/SNZOUT3 for serial data output or serial clock output

Set the PM12 bit of the port mode register 1 to 0.

Set the P12 bit of the port register 1 to 1.

When using the ports to be shared with the serial data input pin or serial clock input pin for serial data input or serial clock input, set the bit in the port mode register (PMxx) corresponding to each port to 1. At this time, the bit in the port register (Pxx) may be 0 or 1.

Example: When using P16/TI02/TO02/TRDI0C1/SI00/SDA00/RXD0/TOOLRXD for serial data input or serial clock input

Set the PM16 bit of port mode register 1 to 1.

Set the P16 bit of port register 1 to 0 or 1.

Set the PM0 to PM7, PM12, and PM15 registers by a 1-bit or 8-bit memory manipulation instruction.

Reset signal generation sets the PM0 to PM7, PM12, and PM15 registers to FFH.

Figure 15-27. Format of Port Mode Registers 0 to 7, 12, 15 (PM0 to PIM7, PIM12, PIM15)

Address: FFF20H After reset: FFH R/W

Symbol	7	6	5	4	3	2	1	0
PM0	PM07	PM06	PM05	PM04	PM03	PM02	PM01	PM00

Address: FFF21H After reset: FFH R/W

Symbol	7	6	5	4	3	2	1	0
PM1	PM17	PM16	PM15	PM14	PM13	PM12	PM11	PM10

Address: FFF22H After reset: FFH R/W

Symbol	7	6	5	4	3	2	1	0
PM2	PM27	PM26	PM25	PM24	PM23	PM22	PM21	PM20

Address: FFF23H After reset: FFH R/W

Symbol	7	6	5	4	3	2	1	0
PM3	PM37	PM36	PM35	PM34	PM33	PM32	PM31	PM30

Address: FFF24H After reset: FFH R/W

Symbol	7	6	5	4	3	2	1	0
PM4	PM47	PM46	PM45	PM44	PM43	PM42	PM41	PM40

Address: FFF25H After reset: FFH R/W

Symbol	7	6	5	4	3	2	1	0
PM5	PM57	PM56	PM55	PM54	PM53	PM52	PM51	PM50

Address: FFF26H After reset: FFH R/W

Symbol	7	6	5	4	3	2	1	0
PM6	PM67	PM66	PM65	PM64	PM63	PM62	PM61	PM60

Address: FFF27H After reset: FFH R/W

Symbol	7	6	5	4	3	2	1	0
PM7	PM77	PM76	PM75	PM74	PM73	PM72	PM71	PM70

Address: FFF2CH After reset: FFH R/W

Symbol	7	6	5	4	3	2	1	0
PM12	PM127	PM126	PM125	1	1	1	1	PM120

Address: FFF2FH After reset: FFH R/W

Symbol	7	6	5	4	3	2	1	0
PM15	PM157	PM156	PM155	PM154	PM153	PM152	PM151	PM150

PMmn	Pmn pin I/O mode selection (m = 0 to 7, 12, 15; n = 0 to 7)
0	Output mode (output buffer on)
1	Input mode (output buffer off)

15.4 Operation stop mode

Each serial interface of serial array unit has the operation stop mode.

In this mode, serial communication cannot be executed, thus reducing the power consumption.

In addition, the pin for serial interface can be used as port function pins in this mode.

15.4.1 Stopping the operation by units

The stopping of the operation by units is set by using peripheral enable register 0 (PER0) and peripheral enable register 1 (PER1).

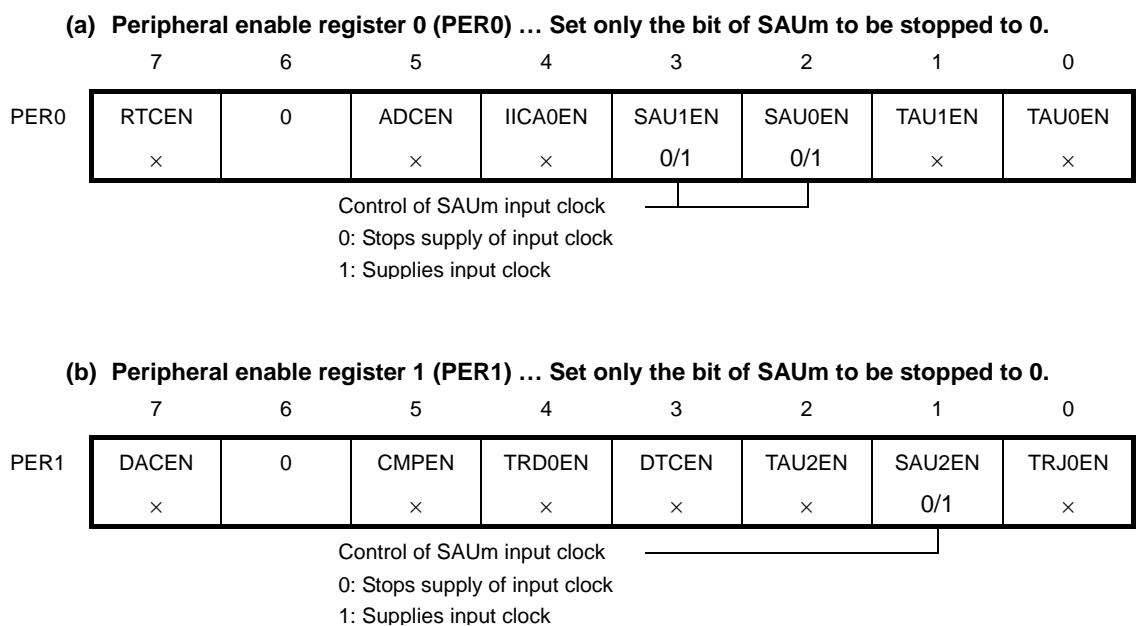
The PER0 and PER1 registers are used to enable or disable supplying the clock to the peripheral hardware. Clock supply to a hardware macro that is not used is stopped in order to reduce the power consumption and noise.

To stop the operation of serial array unit 0, set bit 2 of the PER0 register (SAU0EN) to 0.

To stop the operation of serial array unit 1, set bit 3 of the PER0 register (SAU1EN) to 0.

To stop the operation of serial array unit 2, set bit 1 of the PER1 register (SAU2EN) to 0.

Figure 15-28. Peripheral Enable Register Setting When Stopping the Operation by Units



Cautions If SAUmEN = 0, writing to a control register of serial array unit m is ignored, and, even if the register is read, only the default value is read

Note that this does not apply to the following registers.

- Input switch control register (ISC)
- Noise filter enable register 0 (NFEN0)
- Port input mode registers 1, 3, 5 to 7, 12 (PIM1, PIM3, PIM5 to PIM7, PIM12)
- Port output mode registers 1, 6, 7, 12 (POM1, POM6, POM7, POM12)
- Port mode registers 0 to 7, 12, 15 (PM0 to PM7, PM12, PM15)
- Port registers 0 to 7, 12, 15 (P0 to P7, P12, P15)

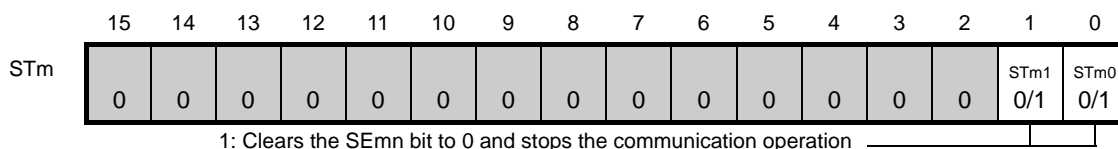
Remark x: Bits not used with serial array units (depending on the settings of other peripheral functions)
 0/1: Set to 0 or 1 depending on the usage of the user
 m: Unit number (m = 0-2)

15.4.2 Stopping the operation by channels

The stopping of the operation by channels is set using each of the following registers.

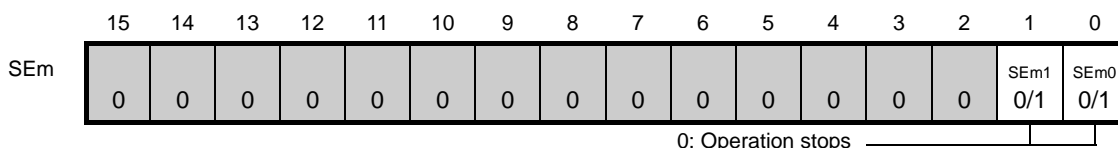
Figure 15-29. Each Register Setting When Stopping the Operation by Channels (1/2)

(a) **Serial channel stop register m (STm) ... This register is a trigger register that is used to enable stopping communication/count by each channel.**



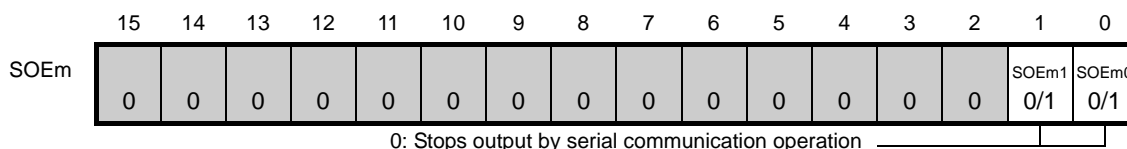
* Because the ST_mn bit is a trigger bit, it is cleared immediately when SE_mn = 0.

(b) **Serial channel enable status register m (SEm) ... This register indicates whether data transmission/reception operation of each channel is enabled or stopped.**



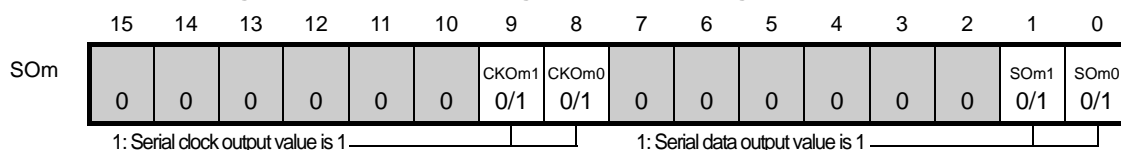
* The SE_mn register is a read-only status register, whose operation is stopped by using the ST_m register. With a channel whose operation is stopped, the value of the CKO_mn bit of the SO_m register can be set by software.

(c) **Serial output enable register m (SOEm) ... This register is a register that is used to enable or stop output of the serial communication operation of each channel.**



* For channel n, whose serial output is stopped, the SO_mn bit value of the SO_m register can be set by software.

(d) **Serial output register m (SOm) ... This register is a buffer register for serial output of each channel.**

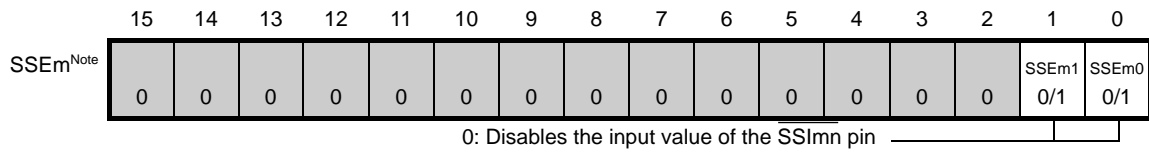


* When using pins corresponding to each channel as port function pins, set the corresponding CKO_mn, SO_mn bits to 1.

- Remarks 1.** m: Unit number (m = 0-2), n: Channel number (n = 0, 1)
2. □: Setting disabled (set to the initial value)
 0/1: Set to 0 or 1 depending on the usage of the user

Figure 15-29. Each Register Setting When Stopping the Operation by Channels (2/2)

(e) Serial slave select enable register (SSEm) ... This register controls the \overline{SSImn} pin in each slave channel.



Note m = 0, 1 only.

- Remarks 1.** m: Unit number (m = 0-2), n: Channel number (n = 0, 1)
- 2.** : Setting disabled (set to the initial value)
- 0/1: Set to 0 or 1 depending on the usage of the user

15.5 Operation of 3-Wire Serial I/O (CSI00, CSI01, CSI10, CSI11, CSI20, CSI21) Communication

This is a clocked communication function that uses three lines: serial clock ($\overline{\text{SCK}}$) and serial data (SI and SO) lines.

[Data transmission/reception]

- Data length of 7 to 16 bits (CSI00, CSI01, CSI10, and CSI11 only)
Data length of 7 and 8 bits (CSI20, and CSI21 only)
- Phase control of transmit/receive data
- MSB/LSB first selectable
- Level setting of transmit/receive data

[Clock control]

- Master/slave selection
- Phase control of I/O clock
- Setting of transfer period by prescaler and internal counter of each channel
- Maximum transfer rate
During master communication: Max. $f_{\text{MCK}}/4$ ^{Note}
During slave communication: Max. $f_{\text{MCK}}/6$ ^{Note}

[Interrupt function]

- Transfer end interrupt/buffer empty interrupt

[Error detection flag]

- Overrun error

In addition, CSI00, CSI01, CSI10, and CSI11 support the slave select input function. For details, refer to **15.6 Clock Synchronous Serial Communication with SPI Function**.

CSI20 supports the SNOOZE mode. When $\overline{\text{SCK}}$ input is detected while in the STOP mode, the SNOOZE mode makes data reception that does not require the CPU possible. Only CSI can be specified for asynchronous reception.

Note Use the clocks within a range satisfying the $\overline{\text{SCK}}$ cycle time (t_{CKCY}) characteristics (see **CHAPTER 35 to CHAPTER 36 ELECTRICAL SPECIFICATIONS**).

The channels supporting 3-wire serial I/O (CSI00, CSI01, CSI10, CSI11, CSI20, CSI21) are channels 0 and 1 of SAU0 to SAU2.

Unit	Channel	Used as CSI	Used as UART	Used as Simplified I ² C
0	0	CSI00 (supporting SPI function) ^{Note 3}	UART0 (supporting LIN-bus)	IIC00
	1	CSI01 (supporting SPI function) ^{Note 3}		IIC01
1	0	CSI10 (supporting SPI function) ^{Note 1, 3}	UART1	IIC10
	1	CSI11 (supporting SPI function) ^{Note 3}		IIC11
2 ^{Note 2}	0	CSI20	UART2	–
	1	CSI21		–

- Notes**
- 48-pin products do not have $\overline{\text{SSI10}}$ pin.
 - 144, 100-pin only.
 - Set CKP_{mn} bit of SCR_{mn} register to 1, when SSE_{mn} = 1 (Enables $\overline{\text{SSI}}_{mn}$ pin input).
(m = 0, 1, n = 0, 1)

3-wire serial I/O (CSI00, CSI01, CSI10, CSI11) performs the following six types of communication operations.

- Master transmission (See **15.5.1 Master transmission.**)
- Master reception (See **15.5.2 Master reception.**)
- Master transmission/reception (See **15.5.3 Master transmission/reception.**)
- Slave transmission (See **15.5.4 Slave transmission.**)
- Slave reception (See **15.5.5 Slave reception.**)
- Slave transmission/reception (See **15.5.6 Slave transmission/reception.**)

15.5.1 Master transmission

Master transmission is an operation wherein this MCU outputs a transfer clock and transmits data to another device.

3-Wire Serial I/O	CSI00	CSI01	CSI10	CSI11	CSI20	CSI21
Target channel	Channel 0 of SAU0	Channel 1 of SAU0	Channel 0 of SAU1	Channel 1 of SAU1	Channel 0 of SAU2	Channel 1 of SAU2
Pins used	$\overline{\text{SCK00}}$, SO00	$\overline{\text{SCK01}}$, SO01	$\overline{\text{SCK10}}$, SO10	$\overline{\text{SCK11}}$, SO11	$\overline{\text{SCK20}}$, SO20	$\overline{\text{SCK21}}$, SO21
Interrupt	INTCSI00	INTCSI01	INTCSI10	INTCSI11	INTCSI20	INTCSI21
	Transfer end interrupt (in single-transfer mode) or buffer empty interrupt (in continuous transfer mode) can be selected.					
Error detection flag	None					
Transfer data length	7 to 16 bits				7 and 8 bits	
Transfer rate	Max. $f_{\text{MCK}}/4$ [Hz] Min. $f_{\text{CLK}}/(2 \times 2^{11} \times 128)$ [Hz] ^{Note} f_{CLK} : System clock frequency				Max. $f_{\text{MCK}}/4$ [Hz] Min. $f_{\text{CLK}}/(2 \times 2^{15} \times 128)$ [Hz] ^{Note} f_{CLK} : System clock frequency	
Data phase	Selectable by the DAPmn bit of the SCRmn register <ul style="list-style-type: none"> • DAPmn = 0: Data output starts from the start of the serial clock operation. • DAPmn = 1: Data output starts half a clock before the start of the serial clock operation. 					
Clock phase	Selectable by the CKPmn bit of the SCRmn register <ul style="list-style-type: none"> • CKPmn = 0: Forward • CKPmn = 1: Reverse 					
Data direction	MSB or LSB first					

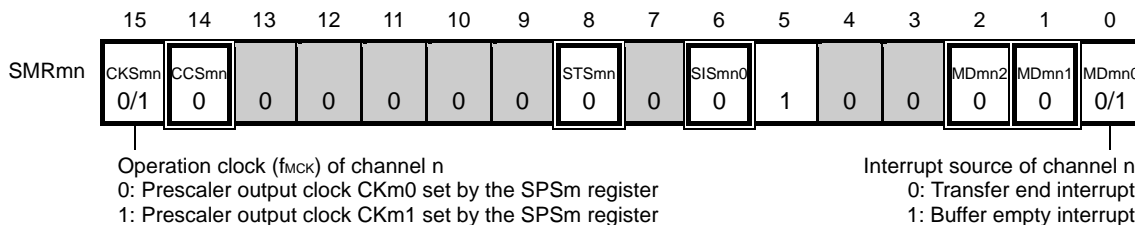
Note Use this operation within a range that satisfies the conditions above and the AC characteristics in the electrical specifications.

Remark m: Unit number (m = 0-2), n: Channel number (n = 0, 1), mn = 00, 01, 10, 11, 20, 21

(1) Register setting

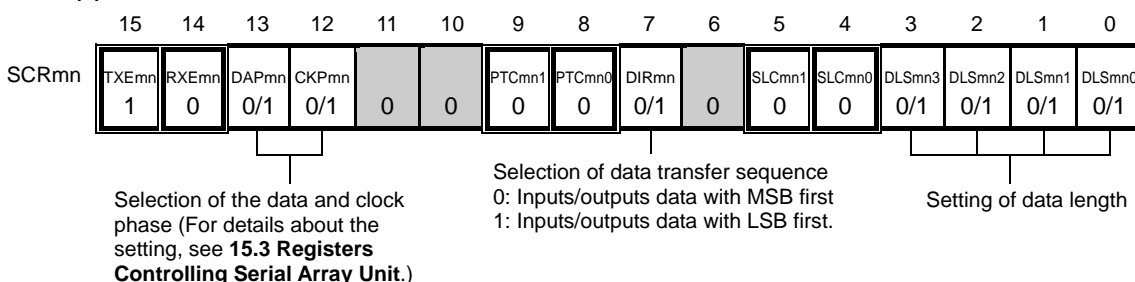
Figure 15-30. Example of Contents of Registers for Master Transmission of 3-Wire Serial I/O (CSI00, CSI01, CSI10, CSI11, CSI20, CSI21) (1/2)

(a) Serial mode register mn (SMRmn)

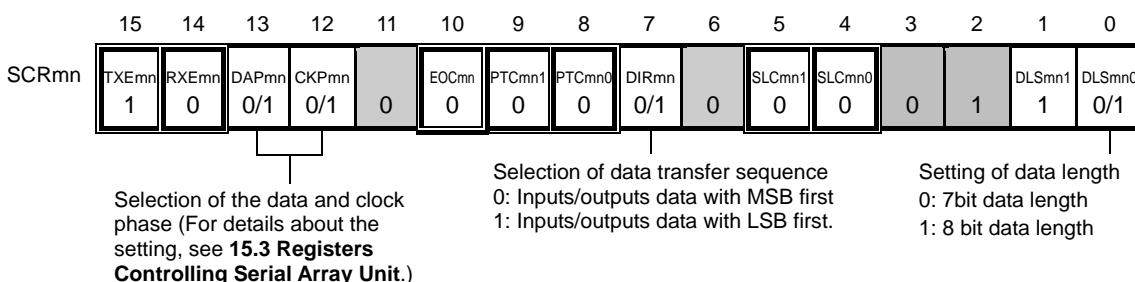


(b) Serial communication operation setting register mn (SCRmn)

(1) CSI00, CSI01, CSI10, CSI11

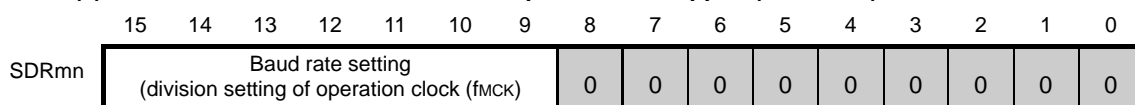


(2) CSI20, CSI21

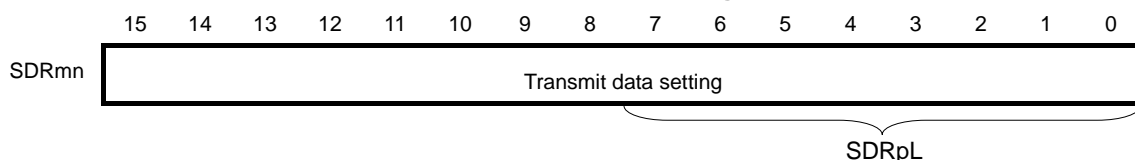


(c) Serial data register mn (SDRmn)

(1) CSI00, CSI01, CSI10, CSI11: When operation is stopped (SEmn = 0)



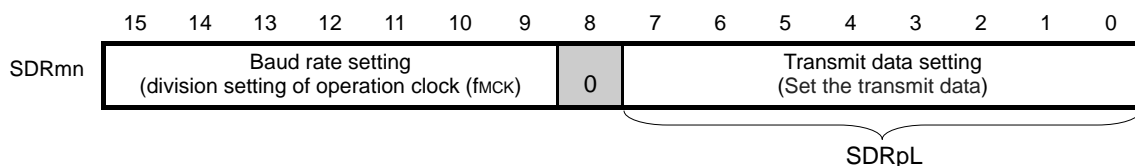
(2) CSI00, CSI01, CSI10, CSI11: When operation is in progress (SEmn = 1) (Lower 8 bits: SDRpL)



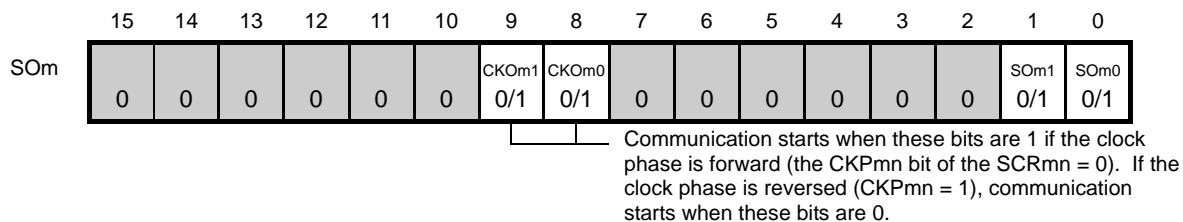
- Remarks**
- m: Unit number (m = 0, 1), n: Channel number (n = 0, 1), p: CSI number (p = 00, 01, 10, 11), mn = 00, 01, 10, 11
 - : Setting is fixed in the CSI master transmission mode, ■: Setting disabled (set to the initial value)
0/1: Set to 0 or 1 depending on the usage of the user

Figure 15-30. Example of Contents of Registers for Master Transmission of 3-Wire Serial I/O (CSI00, CSI01, CSI10, CSI11, CSI20, CSI21) (2/2)

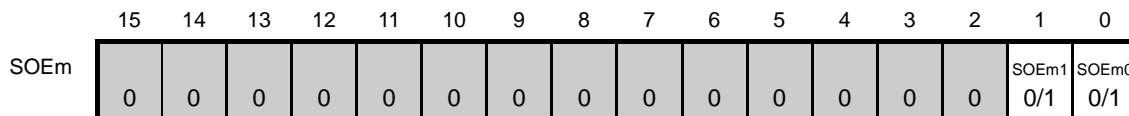
(3) CSI20, CSI21



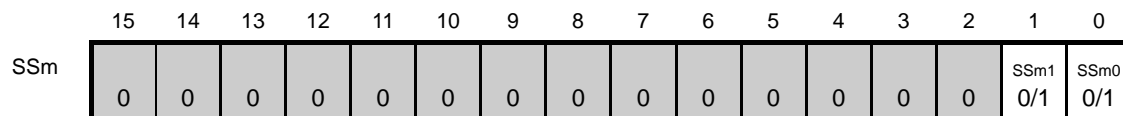
(d) Serial output register m (SO_m) ... Sets only the bits of the target channel.



(e) Serial output enable register m (SO_{Em}) ... Sets only the bits of the target channel to 1.



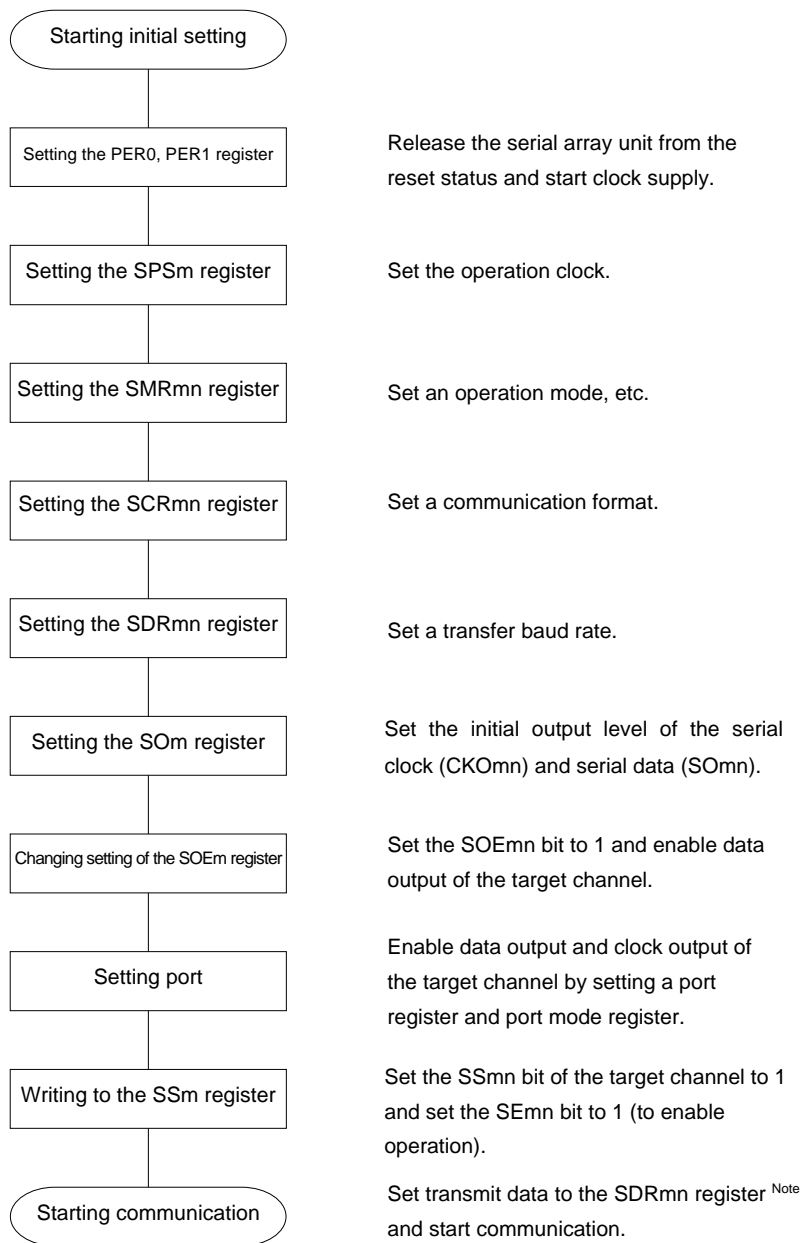
(f) Serial channel start register m (SS_m) ... Sets only the bits of the target channel to 1.



- Remarks**
1. m: Unit number (m = 0-2), n: Channel number (n = 0, 1), p: CSI number (p = 00, 01, 10, 11, 20, 21), mn = 00, 01, 10, 11, 20, 21
 2. : Setting is fixed in the CSI master transmission mode, : Setting disabled (set to the initial value)
0/1: Set to 0 or 1 depending on the usage of the user

(2) Operation procedure

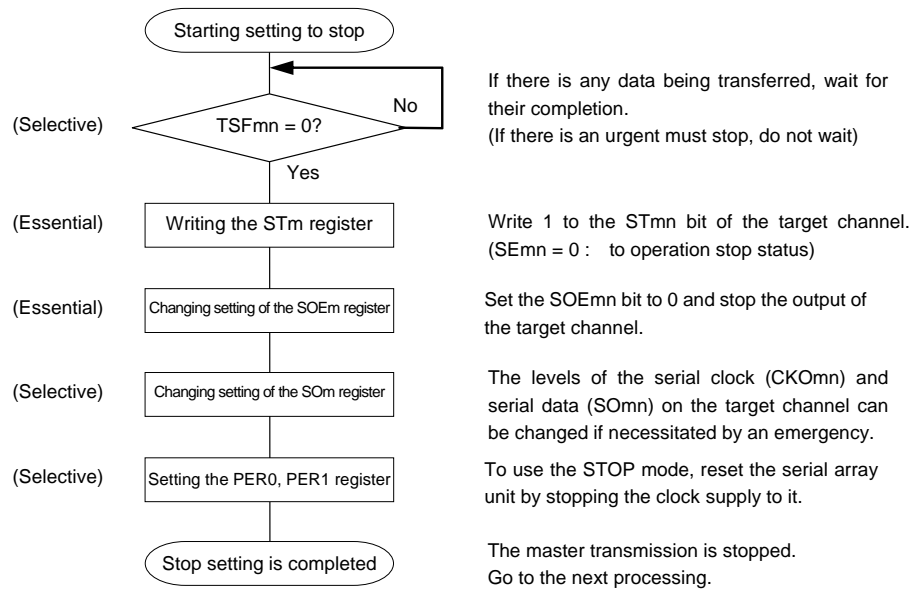
Figure 15-31. Initial Setting Procedure for Master Transmission



Note SDRpL register in CSI20 and CSI21.

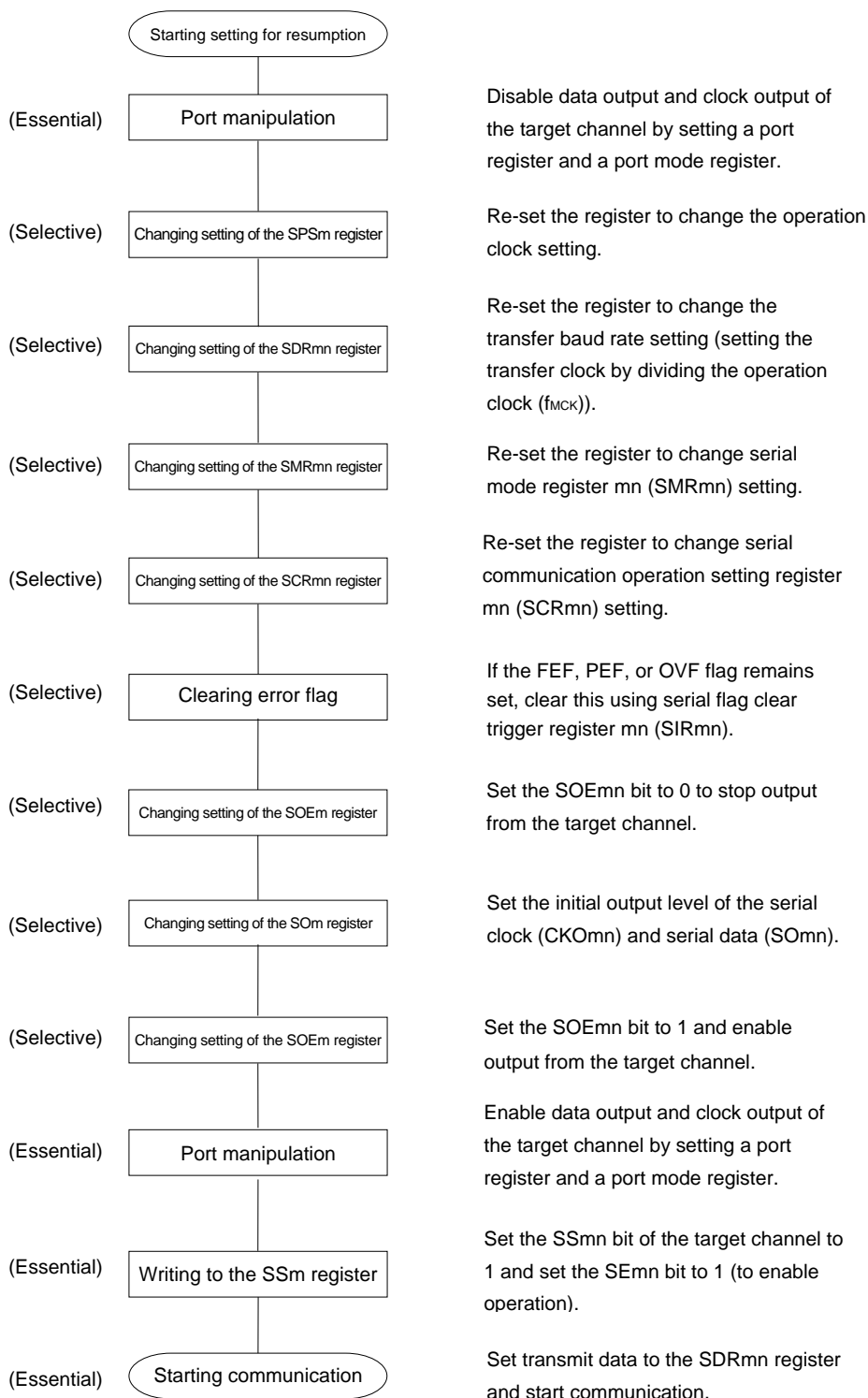
Remark m: Unit number (m = 0-2), n: Channel number (n = 0, 1), p: CSI number (p = 00, 01, 10, 11, 20, 21), mn = 00, 01, 10, 11, 20, 21

Figure 15-32. Procedure for Stopping Master Transmission



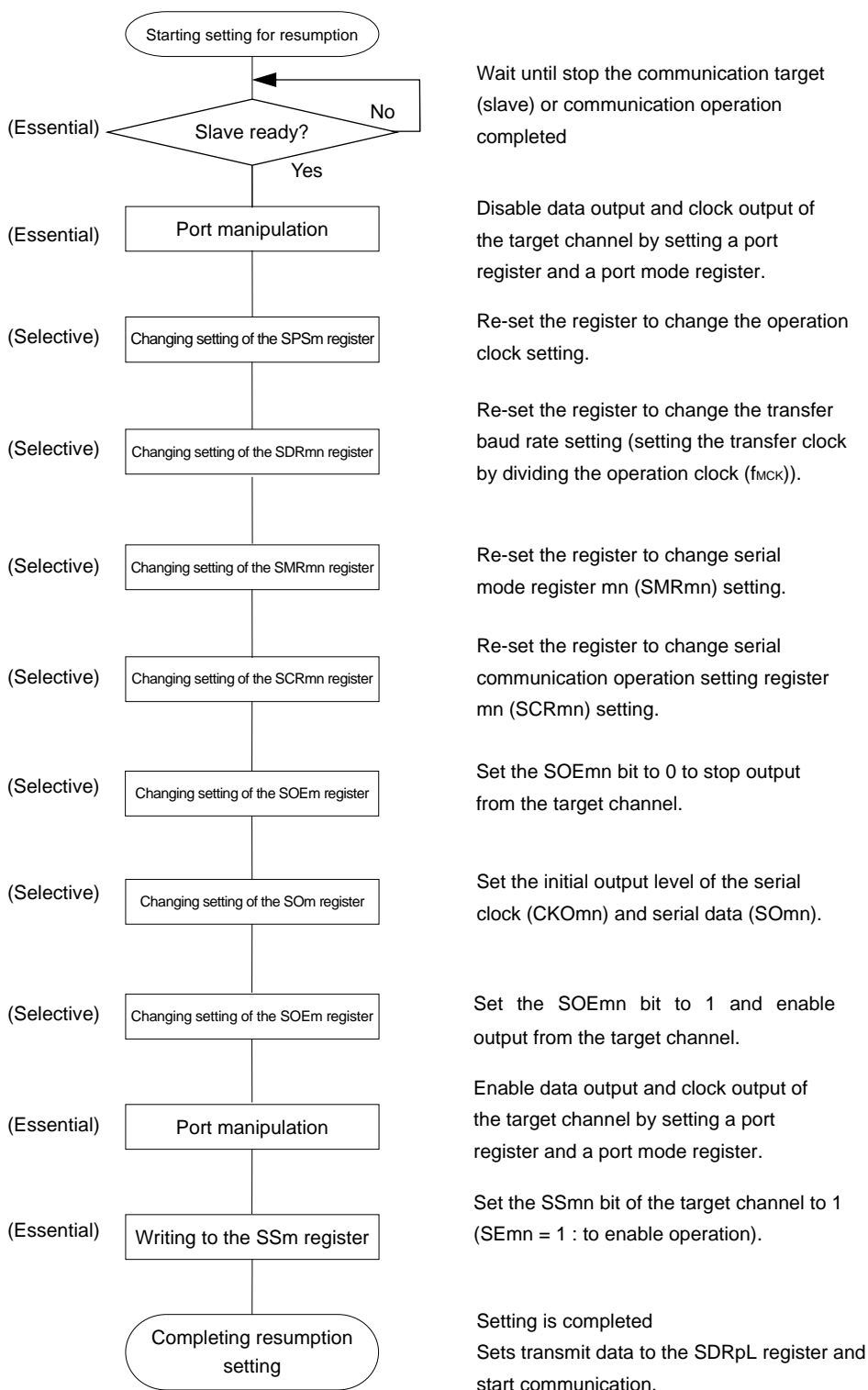
Remark m: Unit number (m = 0-2), n: Channel number (n = 0, 1), mn = 00, 01, 10, 11, 20, 21

Figure 15-33. Procedure for Resuming Master Transmission (CSI00, CSI01, CSI10, CSI11)



Remark m: Unit number (m = 0, 1), n: Channel number (n = 0, 1), mn = 00, 01, 10, 11

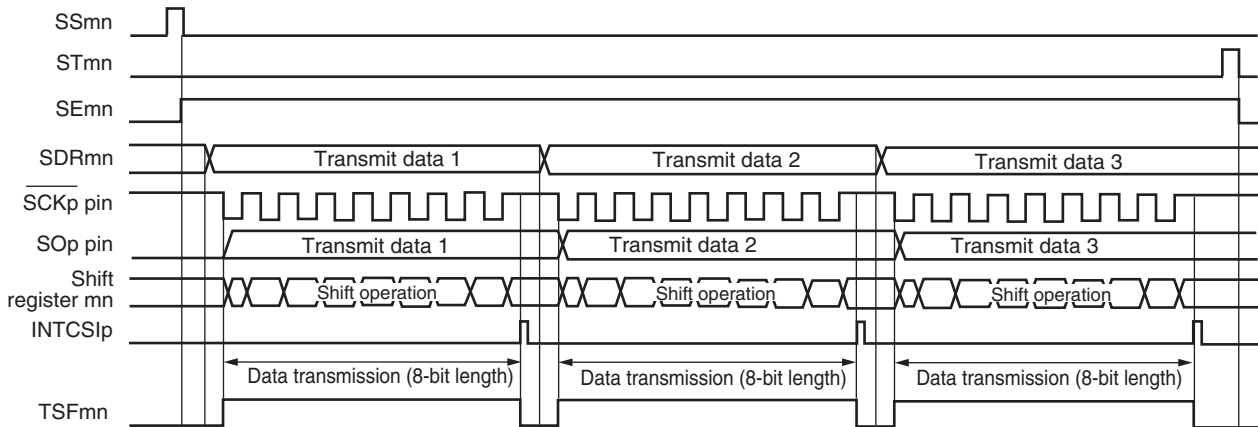
Figure 15-34. Procedure for Resuming Master Transmission (CSI20, CSI21)



- Remarks 1.** If PER1 is rewritten while stopping the master transmission and the clock supply is stopped, wait until the transmission target (slave) stops or transmission finishes, and then perform initialization instead of restarting the transmission.
- 2.** m: Unit number (m = 2), n: Channel number (n = 0, 1), p: CSI number (n = 20, 21), mn = 20, 21

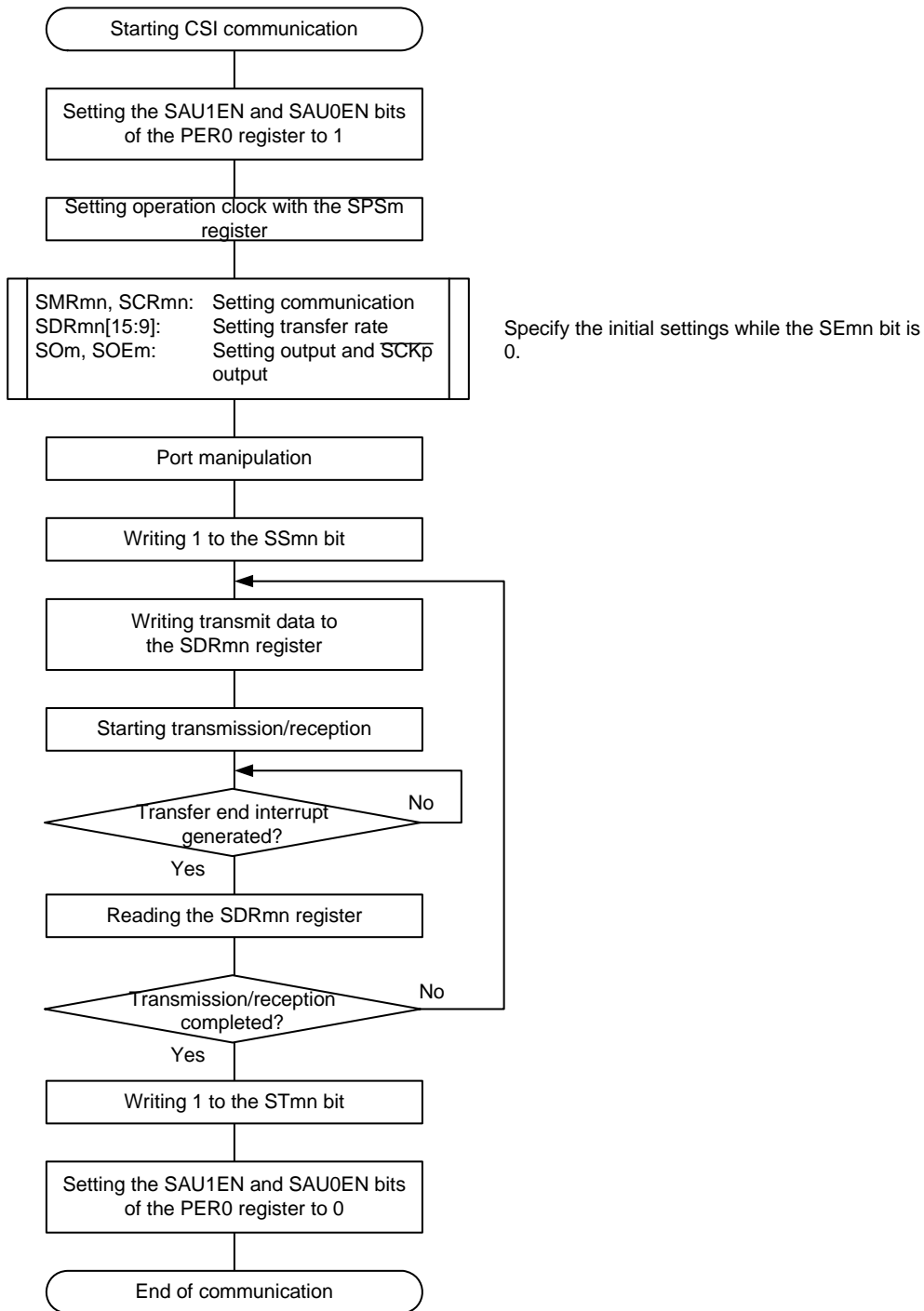
(3) Processing flow (in single-transmission mode)

Figure 15-35. Timing Chart of Master Transmission (in Single-Transmission Mode)
 (Type 1: DAPmn = 0, CKPmn = 0)



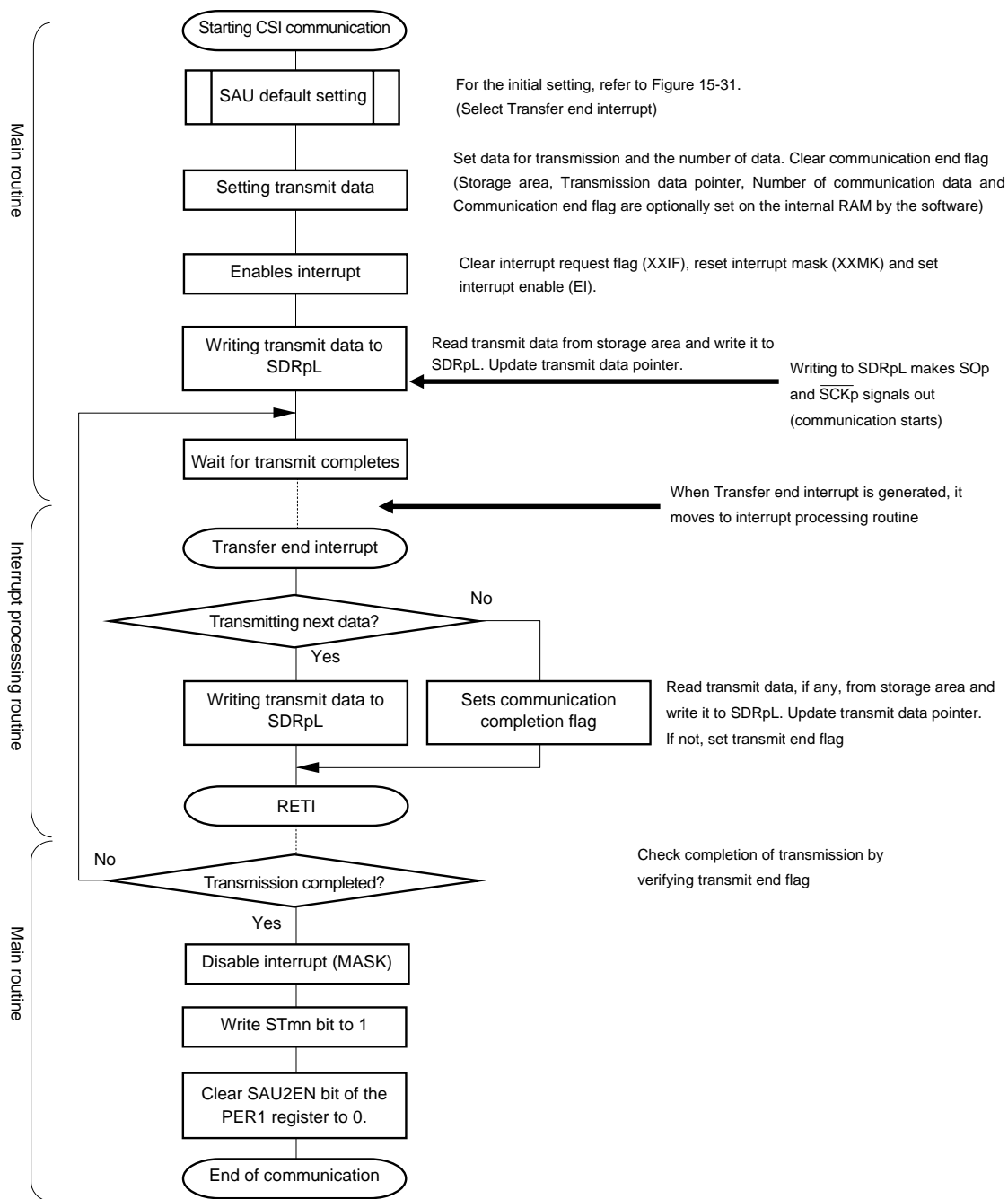
Remark m: Unit number (m = 0-2), n: Channel number (n = 0, 1), p: CSI number (p = 00, 01, 10, 11, 20, 21),
 mn = 00, 01, 10, 11, 20, 21

Figure 15-36. Flowchart of Master Transmission (in Single-Transmission Mode) (CSI00, CSI01, CSI10, CSI11)



Remark m: Unit number (m = 0, 1), n: Channel number (n = 0, 1), mn = 00, 01, 10, 11

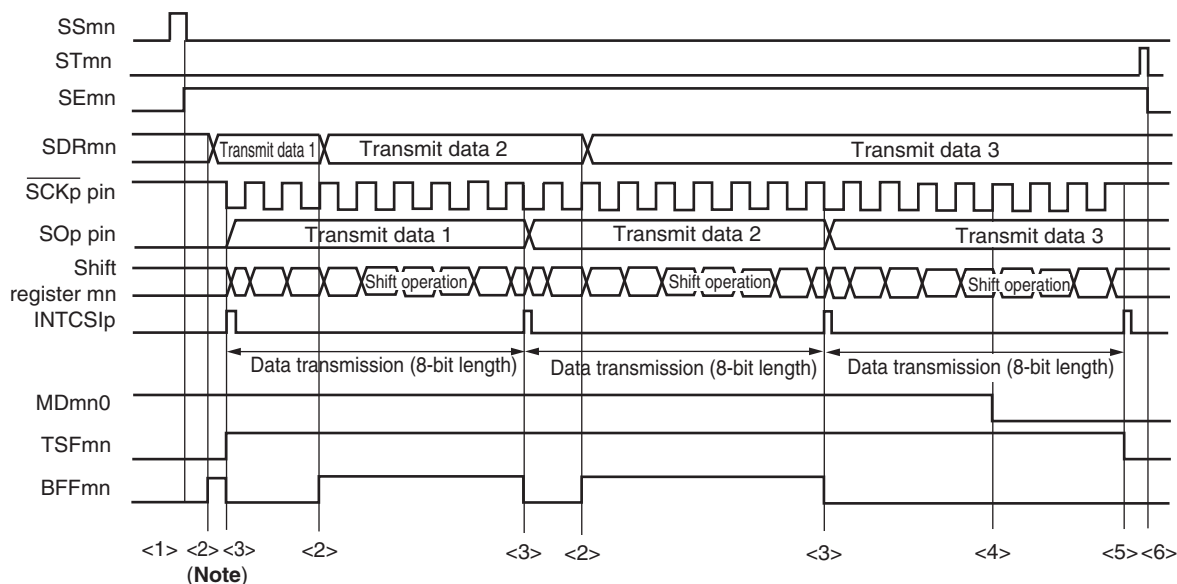
Figure 15-37. Flowchart of Master Transmission (in Single-Transmission Mode) (CSI20, CSI21)



Remark m: Unit number (m = 2), n: Channel number (n = 0, 1), p: CSI number (n = 20, 21), mn = 20, 21

(4) Processing flow (in continuous transmission mode)

Figure 15-38. Timing Chart of Master Transmission (in Continuous Transmission Mode)
(Type 1: DAPmn = 0, CKPmn = 0)

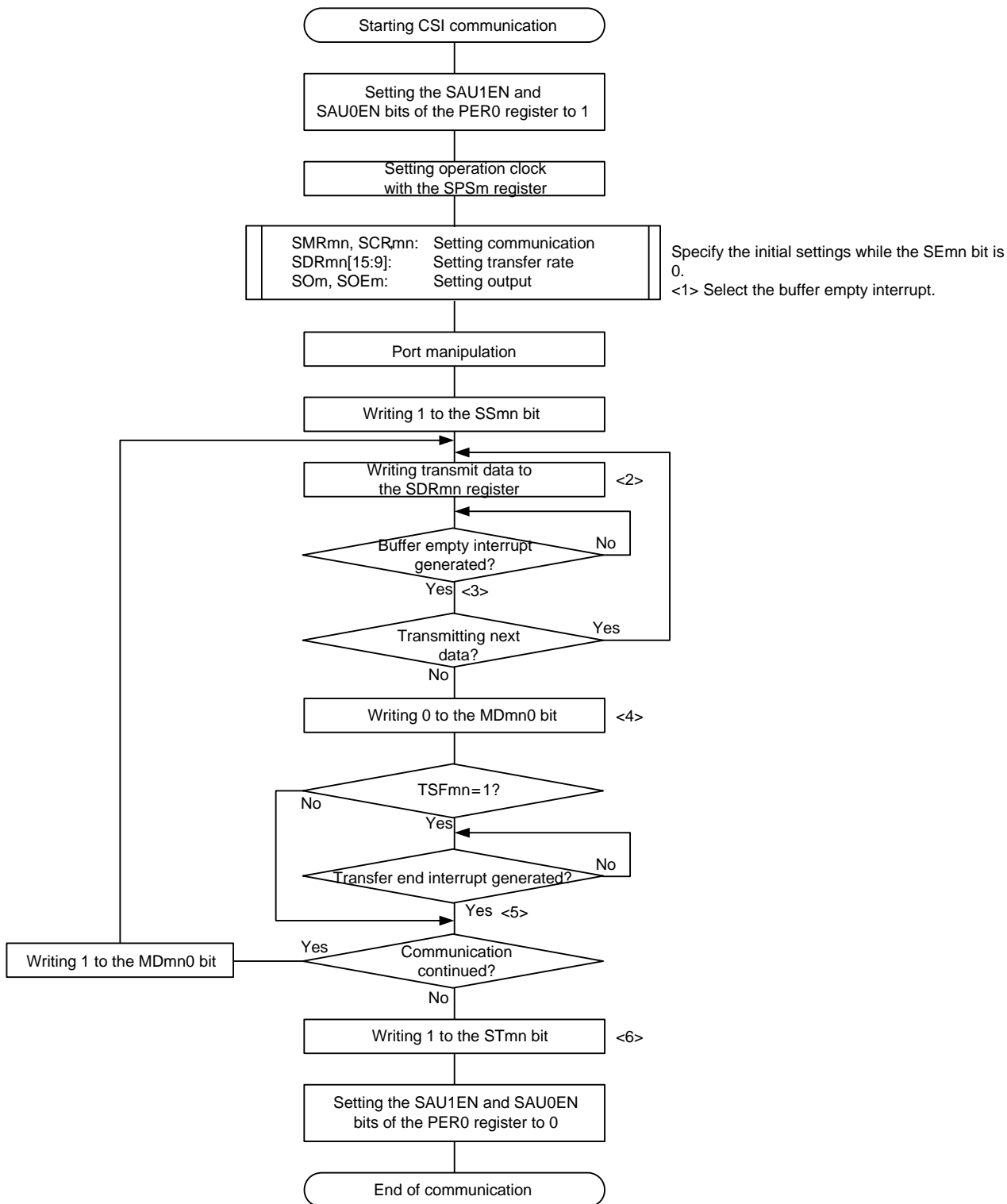


Note If transmit data is written to the SDRmn register while the BFFmn bit of serial status register mn (SSRmn) is 1 (valid data is stored in serial data register mn (SDRmn)), the transmit data is overwritten.

Caution The MDmn0 bit of serial mode register mn (SMRmn) can be rewritten even during operation. However, rewrite it before transfer of the last bit is started, so that it will be rewritten before the transfer end interrupt of the last transmit data.

Remark m: Unit number (m = 0-2), n: Channel number (n = 0, 1), p: CSI number (p = 00, 01, 10, 11, 20, 21), mn = 00, 01, 10, 11

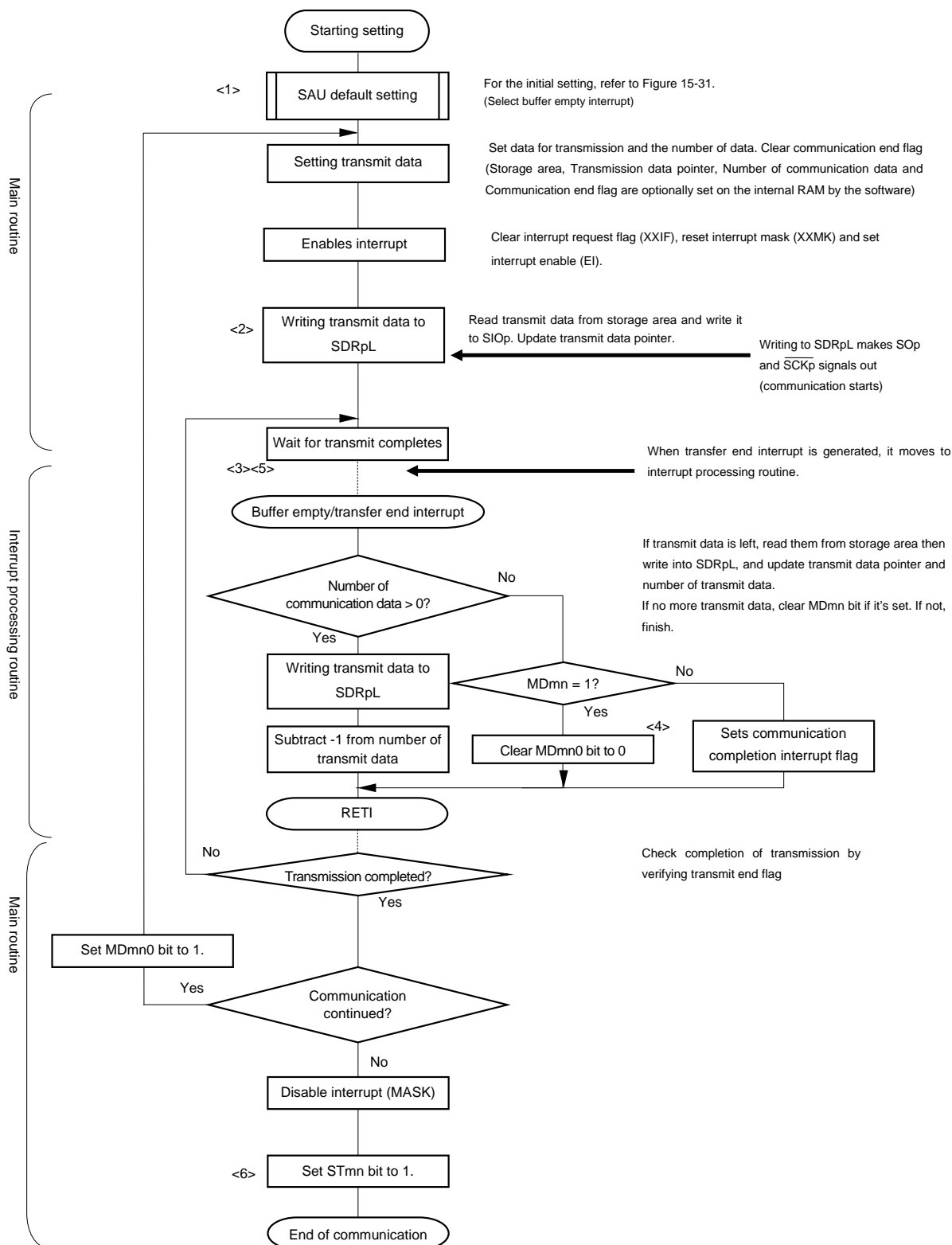
Figure 15-39. Flowchart of Master Transmission (in Continuous Transmission Mode) (CSI00, CSI01, CSI10, CSI11)



Remarks 1. <1> to <6> in the figure correspond to <1> to <6> in Figure 15-38 Timing Chart of Master Transmission (in Continuous Transmission Mode).

2. m: Unit number (m = 0, 1), n: Channel number (n = 0, 1), mn = 00, 01, 10, 11

Figure 15-40. Flowchart of Master Transmission (in Continuous Transmission Mode) (CSI20, CSI21)



Remarks 1. <1> to <6> in the figure correspond to <1> to <6> in Figure 15-38 Timing Chart of Master Transmission (in Continuous Transmission Mode).

2. m: Unit number (m = 2), n: Channel number (n = 0, 1), p: CSI number (n = 20, 21), mn = 20, 21

15.5.2 Master reception

Master reception is an operation wherein this MCU outputs a transfer clock and receives data from other device.

3-Wire Serial I/O	CSI00	CSI01	CSI10	CSI11	CSI20	CSI21
Target channel	Channel 0 of SAU0	Channel 1 of SAU0	Channel 0 of SAU1	Channel 1 of SAU1	Channel 0 of SAU2	Channel 1 of SAU2
Pins used	$\overline{\text{SCK00}}$, SI00	$\overline{\text{SCK01}}$, SI01	$\overline{\text{SCK10}}$, SI10	$\overline{\text{SCK11}}$, SI11	$\overline{\text{SCK20}}$, SI20	$\overline{\text{SCK21}}$, SI21
Interrupt	INTCSI00	INTCSI01	INTCSI10	INTCSI11	INTCSI20	INTCSI21
	Transfer end interrupt (in single-transfer mode) or buffer empty interrupt (in continuous transfer mode) can be selected.					
Error detection flag	Overrun error detection flag (OVFmn) only					
Transfer data length	7 to 16 bits				7 and 8 bits	
Transfer rate	Max. $f_{\text{MCK}}/4$ [Hz] Min. $f_{\text{CLK}}/(2 \times 2^{11} \times 128)$ [Hz] ^{Note} f_{CLK} : System clock frequency				Max. $f_{\text{MCK}}/4$ [Hz] Min. $f_{\text{CLK}}/(2 \times 2^{15} \times 128)$ [Hz] ^{Note} f_{CLK} : System clock frequency	
Data phase	Selectable by the DAPmn bit of the SCRmn register <ul style="list-style-type: none"> • DAPmn = 0: Data input starts from the start of the serial clock operation. • DAPmn = 1: Data input starts half a clock before the start of the serial clock operation. 					
Clock phase	Selectable by the CKPmn bit of the SCRmn register <ul style="list-style-type: none"> • CKPmn = 0: Forward • CKPmn = 1: Reverse 					
Data direction	MSB or LSB first					

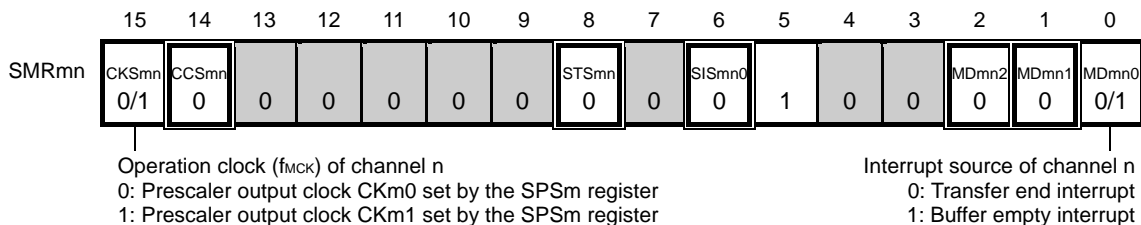
Note Use this operation within a range that satisfies the conditions above and the AC characteristics in the electrical specifications.

Remark m: Unit number (m = 0-2), n: Channel number (n = 0, 1), mn = 00, 01, 10, 11, 20, 21

(1) Register setting

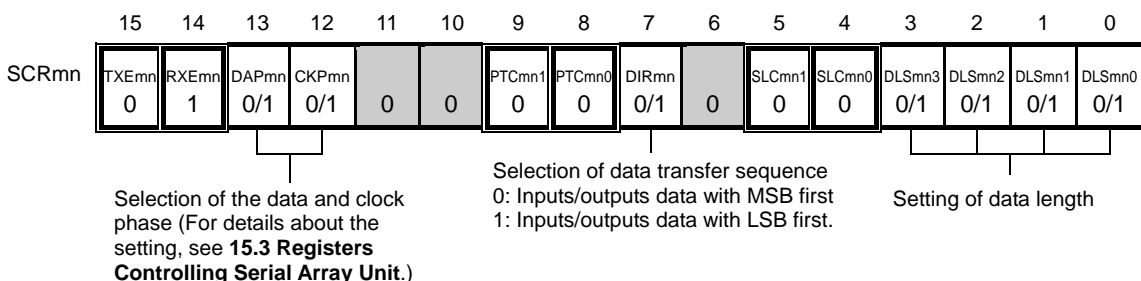
Figure 15-41. Example of Contents of Registers for Master Reception of 3-Wire Serial I/O (CSI00, CSI01, CSI10, CSI11, CSI20, CSI21) (1/2)

(a) Serial mode register mn (SMRmn)

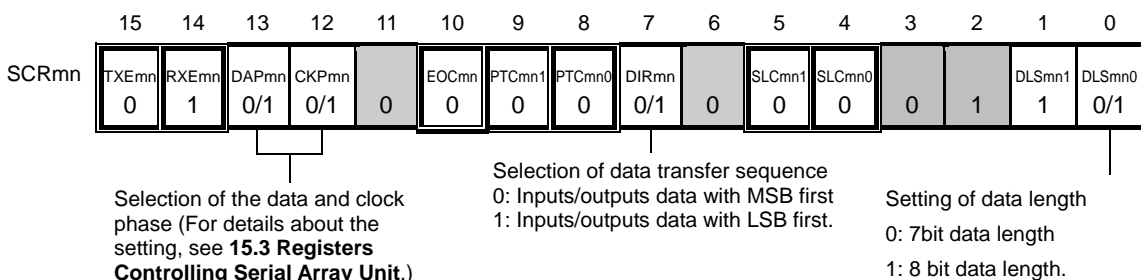


(b) Serial communication operation setting register mn (SCRmn)

(1) CSI00, CSI01, CSI10, CSI11

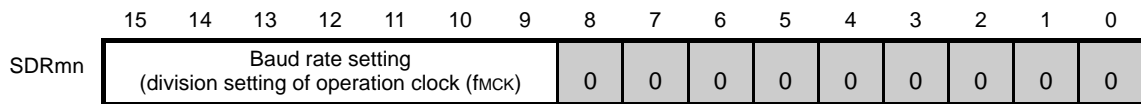


(2) CSI20, CSI21

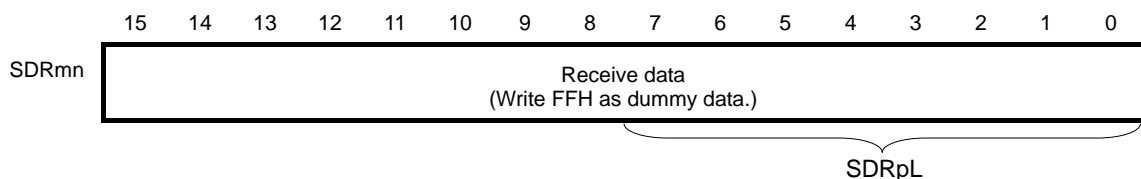


(c) Serial data register mn (SDRmn)

(1) CSI00, CSI01, CSI10, CSI11: When operation is stopped ($SEmn = 0$)

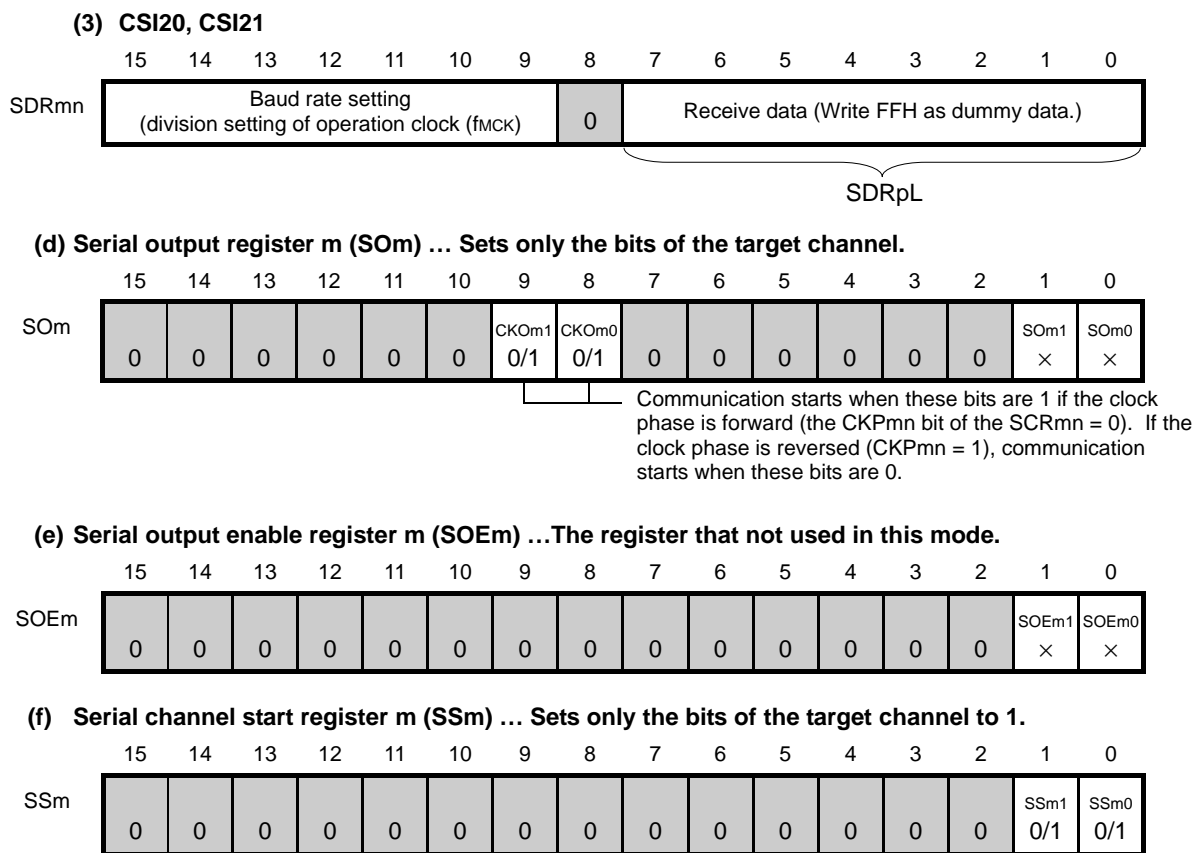


(2) CSI00, CSI01, CSI10, CSI11: When operation is in progress ($SEmn = 1$) (Lower 8 bits: SDRpL)



- Remarks**
1. m: Unit number (m = 0-2), n: Channel number (n = 0, 1), p: CSI number (p = 00, 01, 10, 11, 20, 21), mn = 00, 01, 10, 11, 20, 21
 2. □: Setting is fixed in the CSI master reception mode, ■: Setting disabled (set to the initial value)
 ×: Bit that cannot be used in this mode (set to the initial value when not used in any mode)
 0/1: Set to 0 or 1 depending on the usage of the user

Figure 15-41. Example of Contents of Registers for Master Reception of 3-Wire Serial I/O (CSI00, CSI01, CSI10, CSI11, CSI20, CSI21) (2/2)



- Remarks 1.** m: Unit number (m = 0-2), n: Channel number (n = 0, 1), p: CSI number (p = 00, 01, 10, 11, 20, 21), mn = 00, 01, 10, 11, 20, 21
- 2.** : Setting is fixed in the CSI master reception mode, : Setting disabled (set to the initial value)
 ×: Bit that cannot be used in this mode (set to the initial value when not used in any mode)
 0/1: Set to 0 or 1 depending on the usage of the user

(2) Operation procedure

Figure 15-42. Initial Setting Procedure for Master Reception (CSI00, CSI01, CSI10, CSI11)

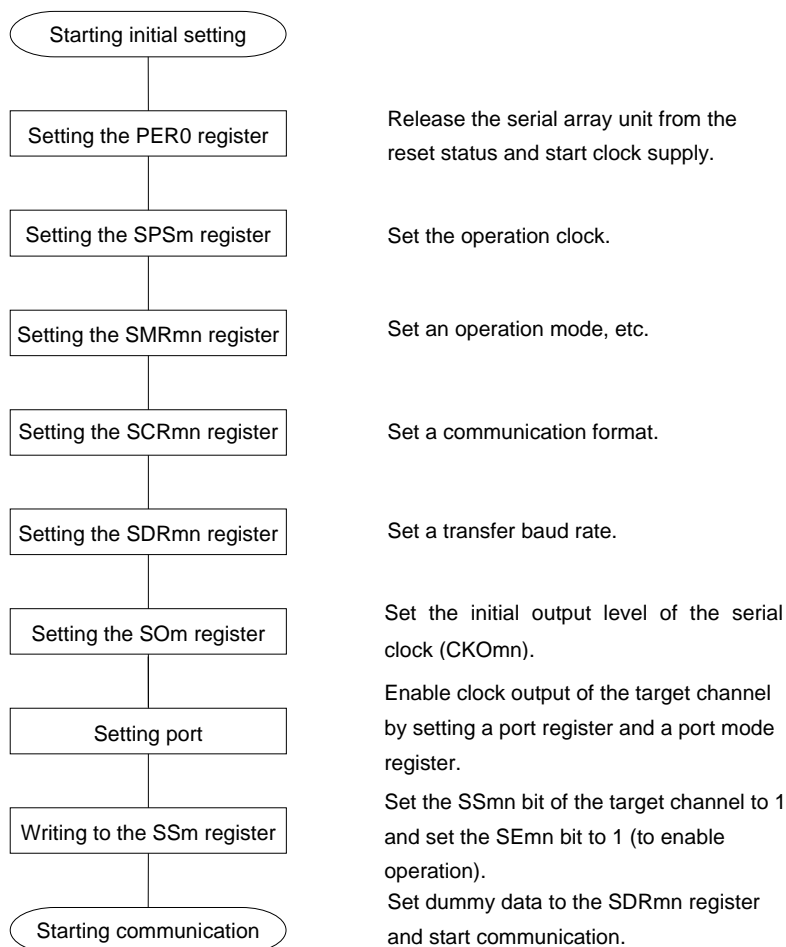
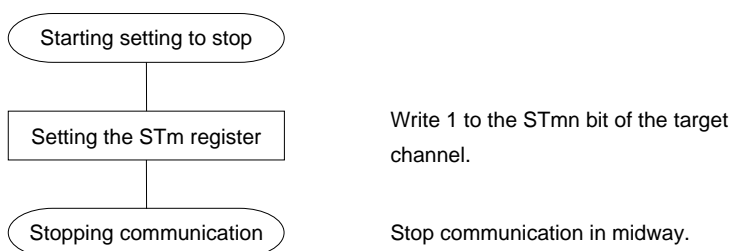


Figure 15-43. Procedure for Stopping Master Reception (CSI00, CSI01, CSI10, CSI11)



- Remarks**
1. Even after communication is stopped, the pin level is retained. To resume the operation, re-set serial output register m (SOm) (see **Figure 15-46 Procedure for Resuming Master Reception**).
 2. m: Unit number (m = 0, 1), n: Channel number (n = 0, 1), mn = 00, 01, 10, 11

Figure 15-44. Initial Setting Procedure for Master Reception (CSI20, CSI21)

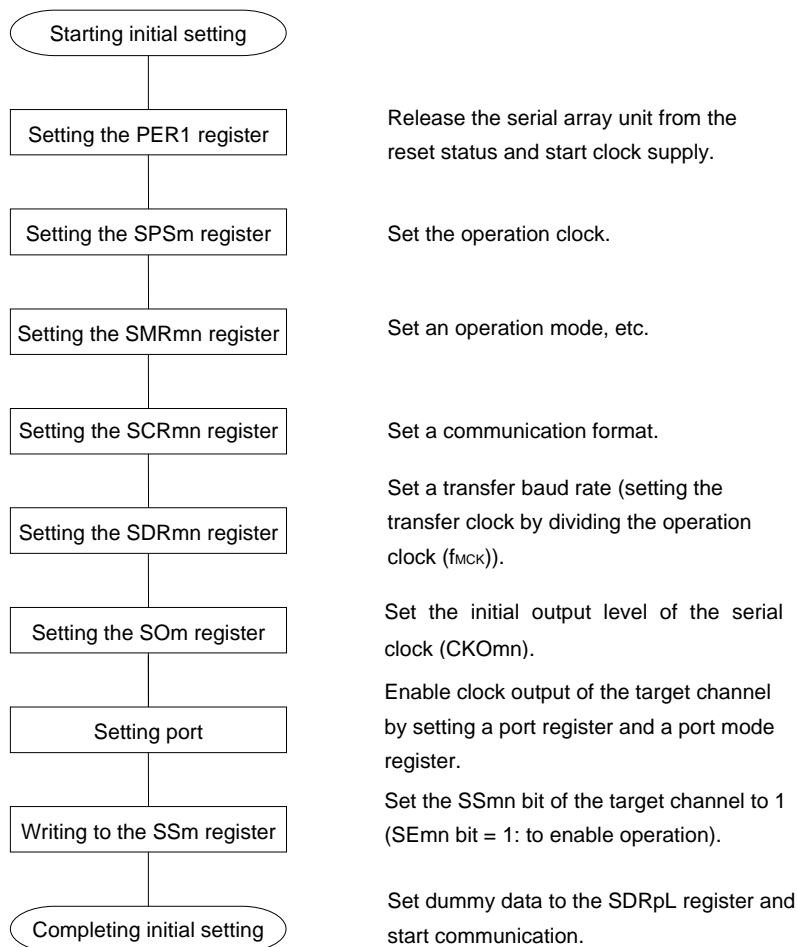
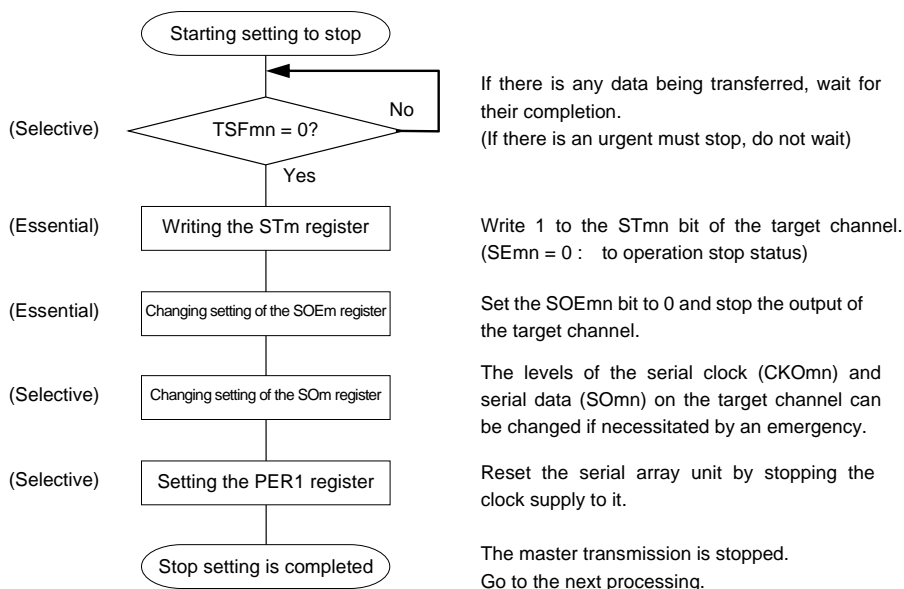
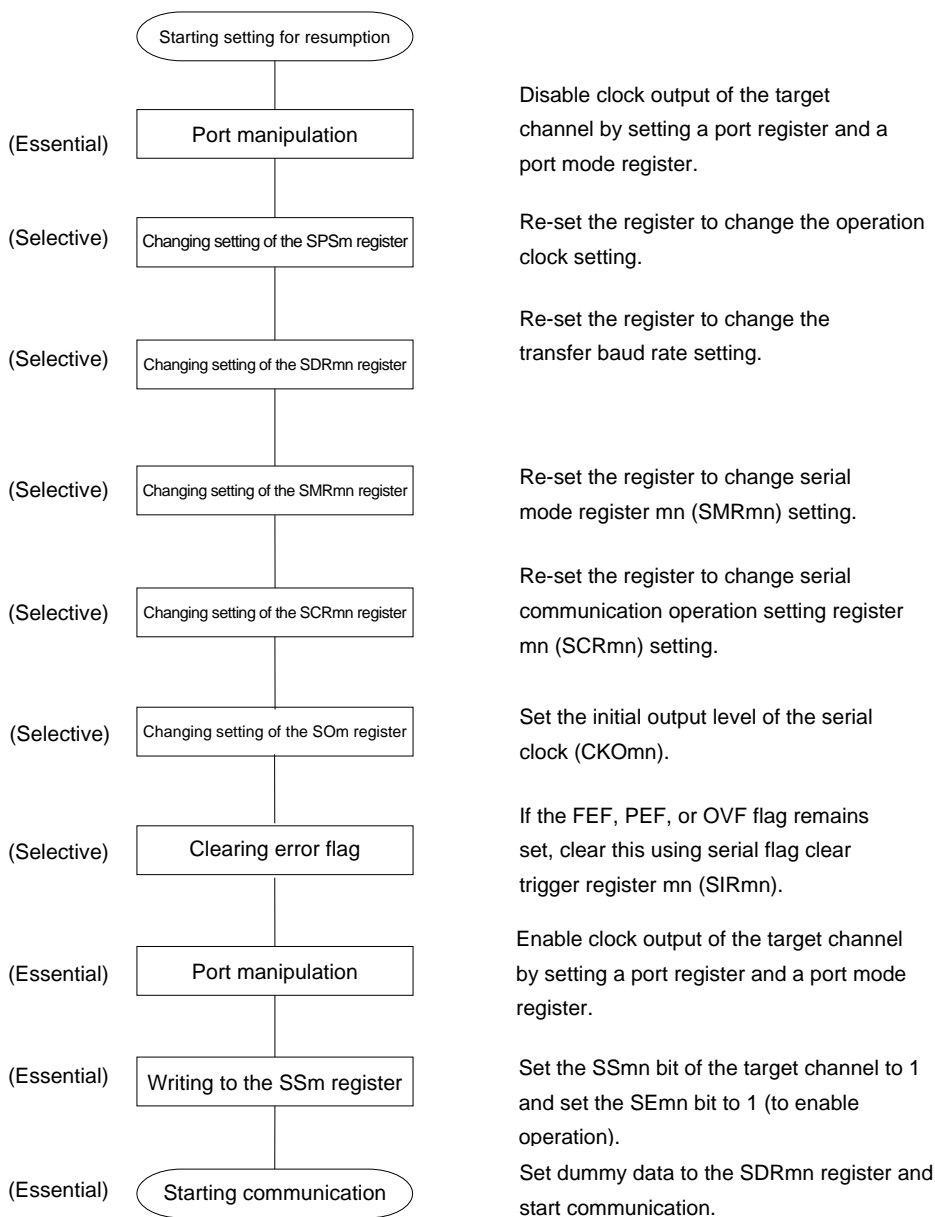


Figure 15-45. Procedure for Stopping Master Reception (CSI20, CSI21)



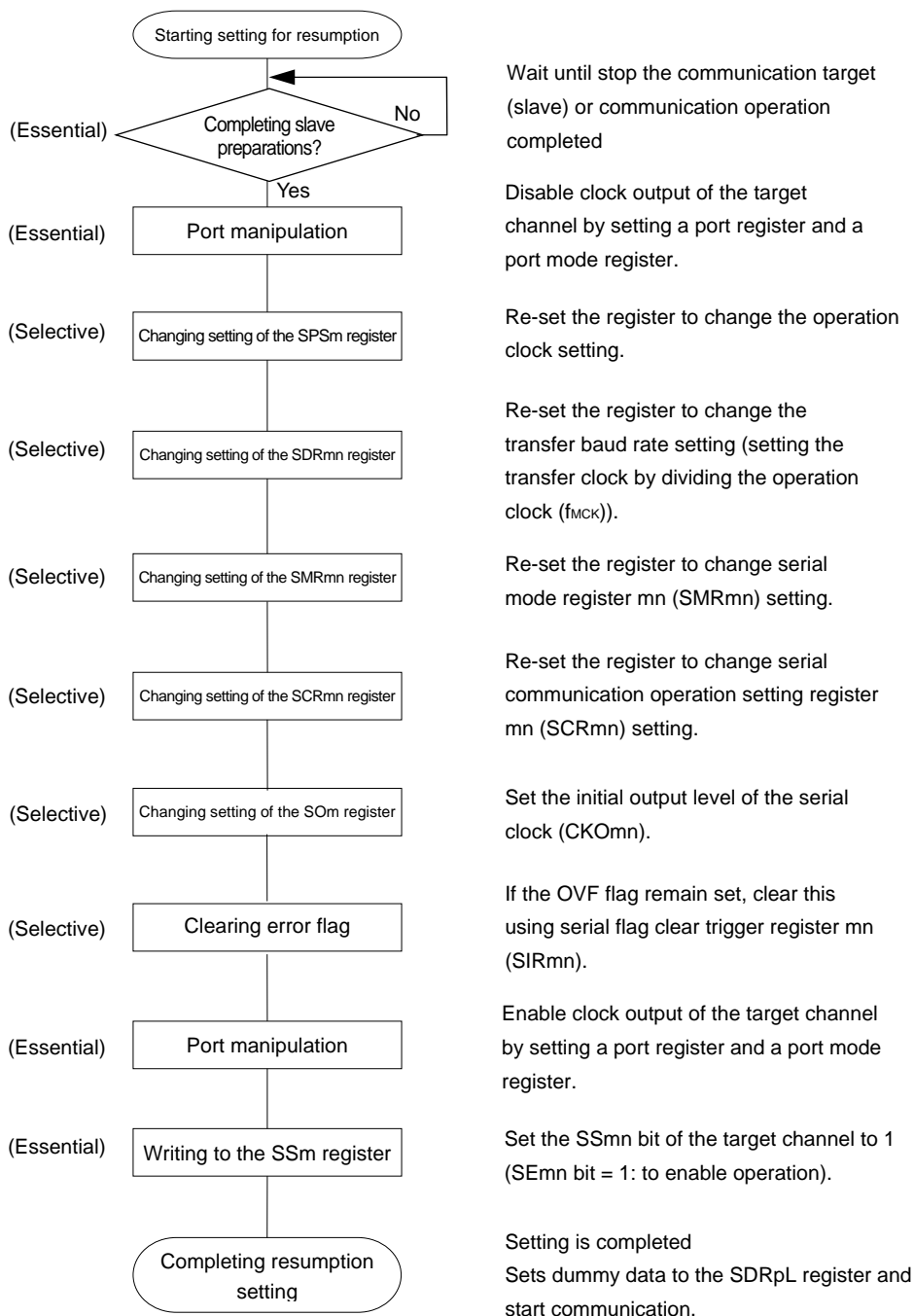
Remark m: Unit number (m = 2), n: Channel number (n = 0, 1), p: CSI number (p = 20, 21), mn = 20, 21

Figure 15-46. Procedure for Resuming Master Reception (CSI00, CSI01, CSI10, CSI11)



Remark m: Unit number (m = 0, 1), n: Channel number (n = 0, 1), mn = 00, 01, 10, 11

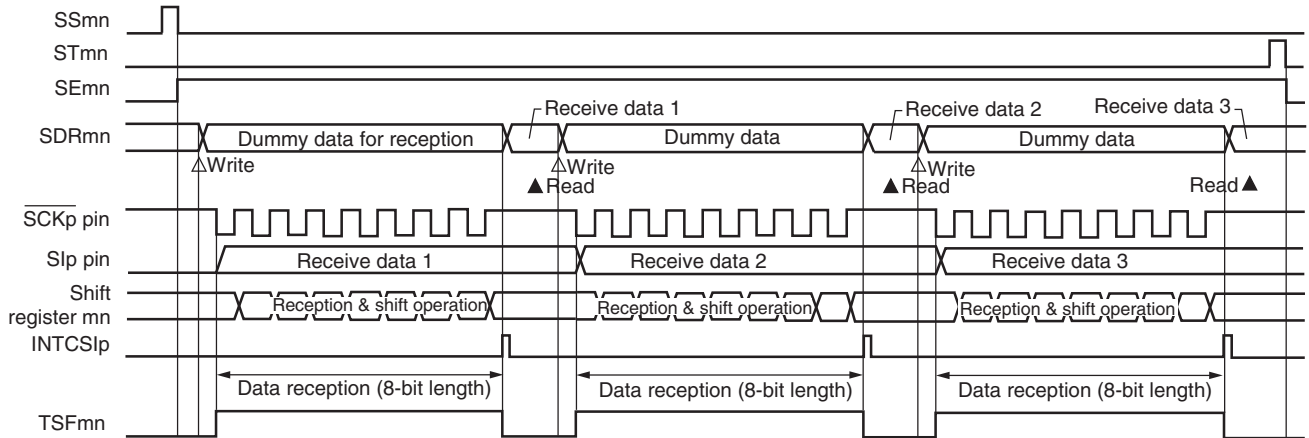
Figure 15-47. Procedure for Resuming Master Reception (CSI20, CSI21)



- Remarks 1.** If PER1 is rewritten while stopping the master transmission and the clock supply is stopped, wait until the transmission target (slave) stops or transmission finishes, and then perform initialization instead of restarting the transmission.
- 2.** m: Unit number (m = 2), n: Channel number (n = 0, 1), p: CSI number (n = 20, 21), mn = 20, 21

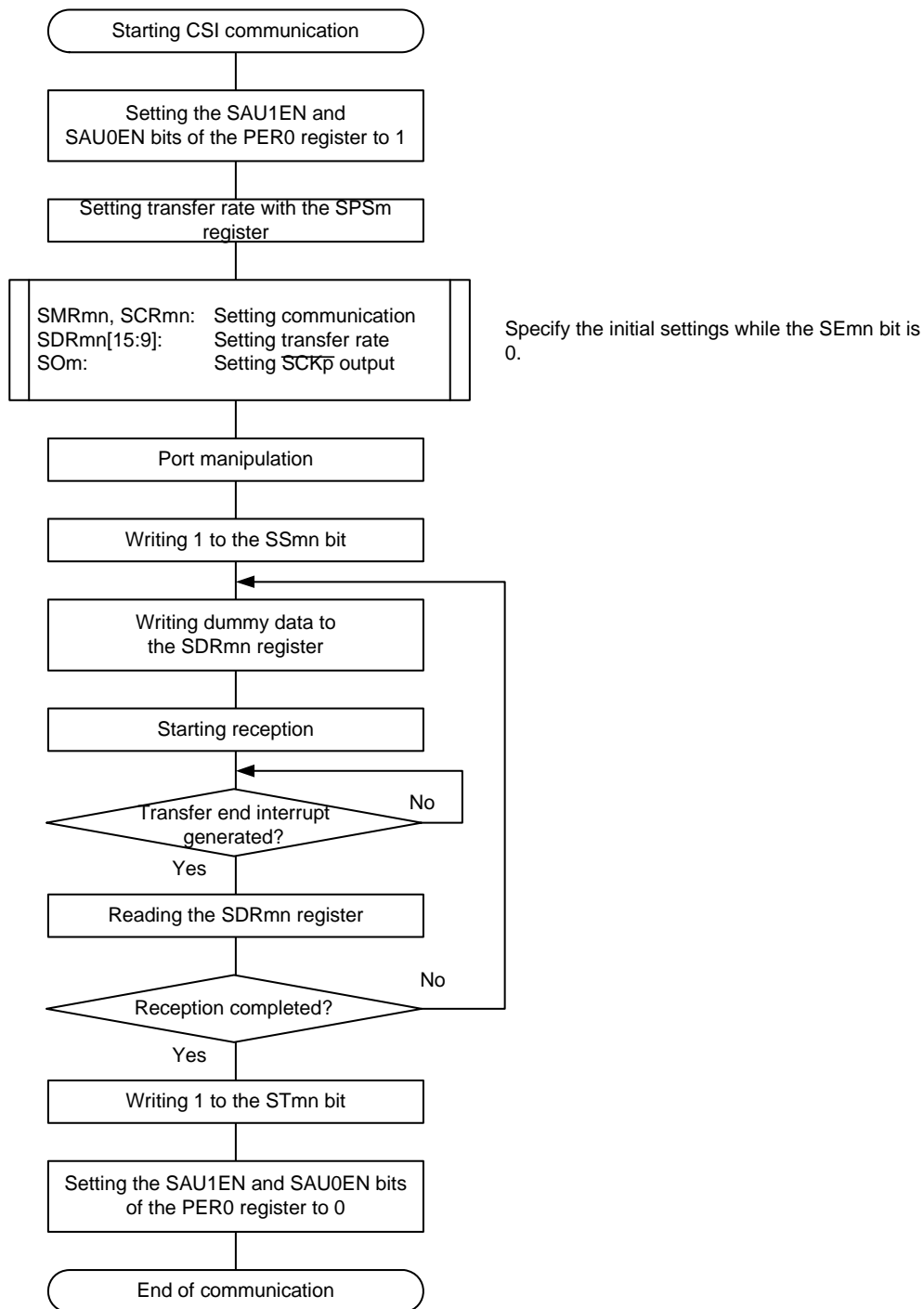
(3) Processing flow (in single-reception mode)

Figure 15-48. Timing Chart of Master Reception (in Single-Reception Mode)
(Type 1: DAPmn = 0, CKPmn = 0)



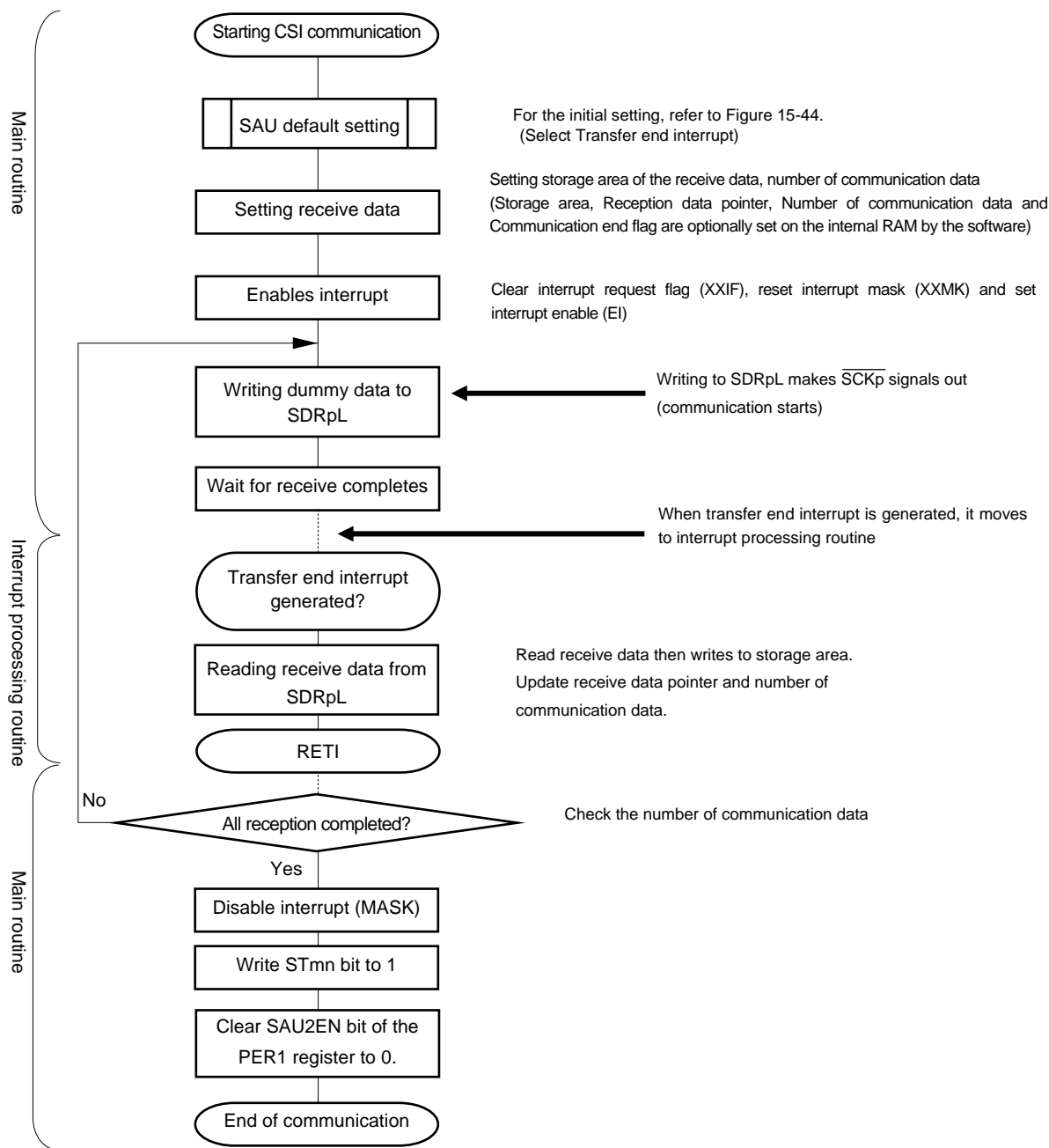
Remark m: Unit number (m = 0-2), n: Channel number (n = 0, 1), p: CSI number (p = 00, 01, 10, 11, 20, 21),
mn = 00, 01, 10, 11, 20, 21

Figure 15-49. Flowchart of Master Reception (in Single-Reception Mode) (CSI00, CSI01, CSI10, CSI11)



Remark m: Unit number (m = 0, 1), n: Channel number (n = 0, 1), p: CSI number (p = 00, 01, 10, 11), mn = 00, 01, 10, 11

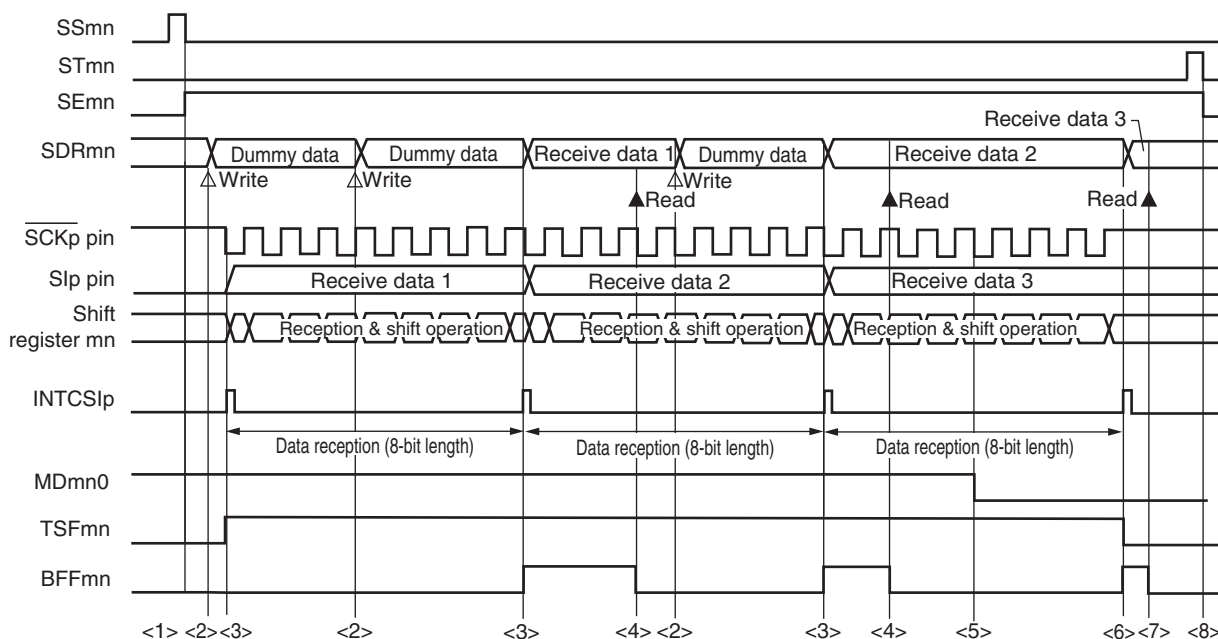
Figure 15-50. Flowchart of Master Reception (in Single-Reception Mode) (CSI20, CSI21)



Remark m: Unit number (m = 2), n: Channel number (n = 0, 1), p: CSI number (n = 20, 21), mn = 20, 21

(4) Processing flow (in continuous reception mode)

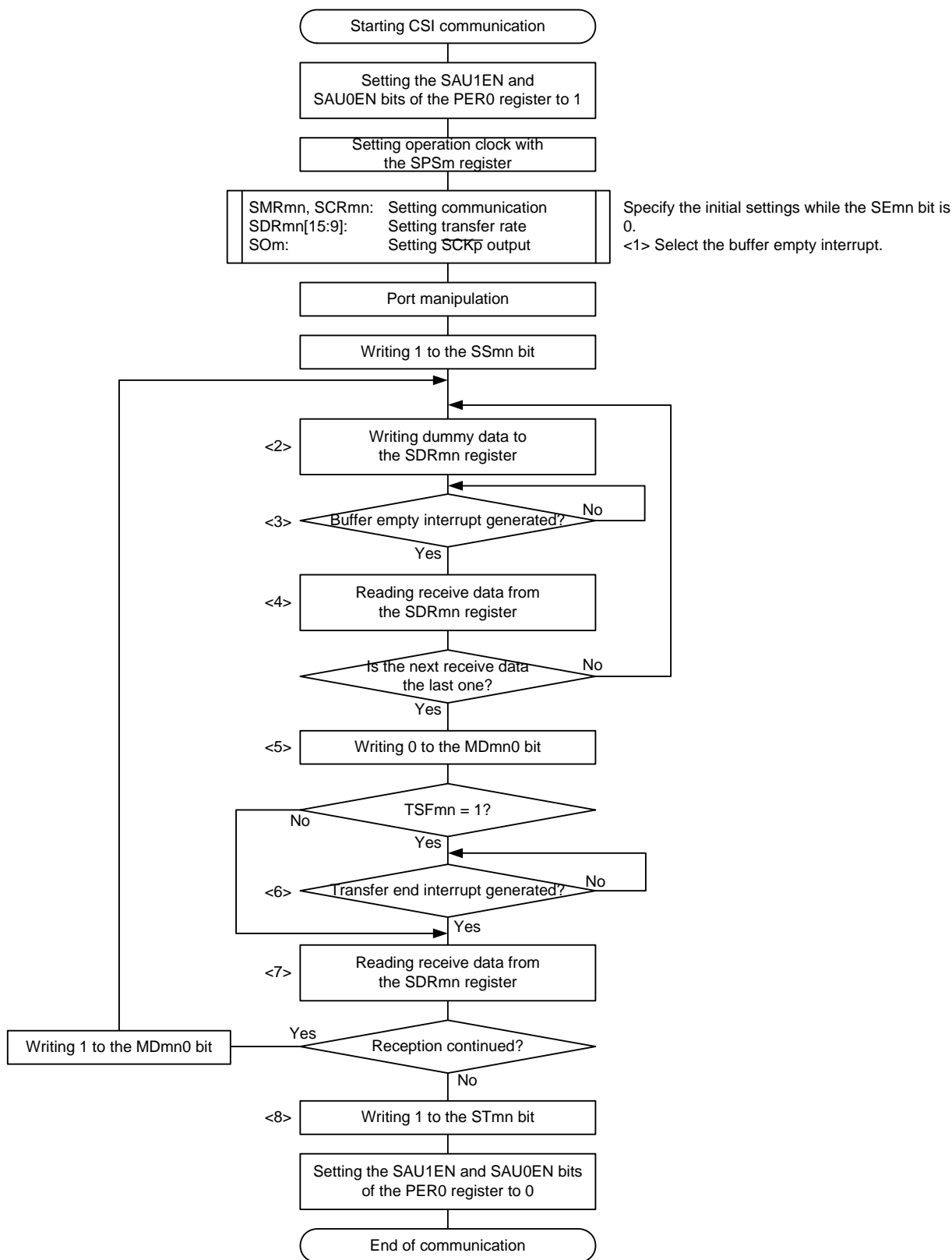
Figure 15-51. Timing Chart of Master Reception (in Continuous Reception Mode) (Type 1: DAPmn = 0, CKPmn = 0)



Caution The MDmn0 bit can be rewritten even during operation. However, rewrite it before receive of the last bit is started, so that it has been rewritten before the transfer end interrupt of the last receive data.

- Remarks**
1. <1> to <8> in the figure correspond to <1> to <8> in Figure 15-52 and 15-53 Flowchart of Master Reception (in Continuous Reception Mode).
 2. m: Unit number (m = 0-2), n: Channel number (n = 0, 1), p: CSI number (p = 00, 01, 10, 11, 20, 21), mn = 00, 01, 10, 11, 20, 21

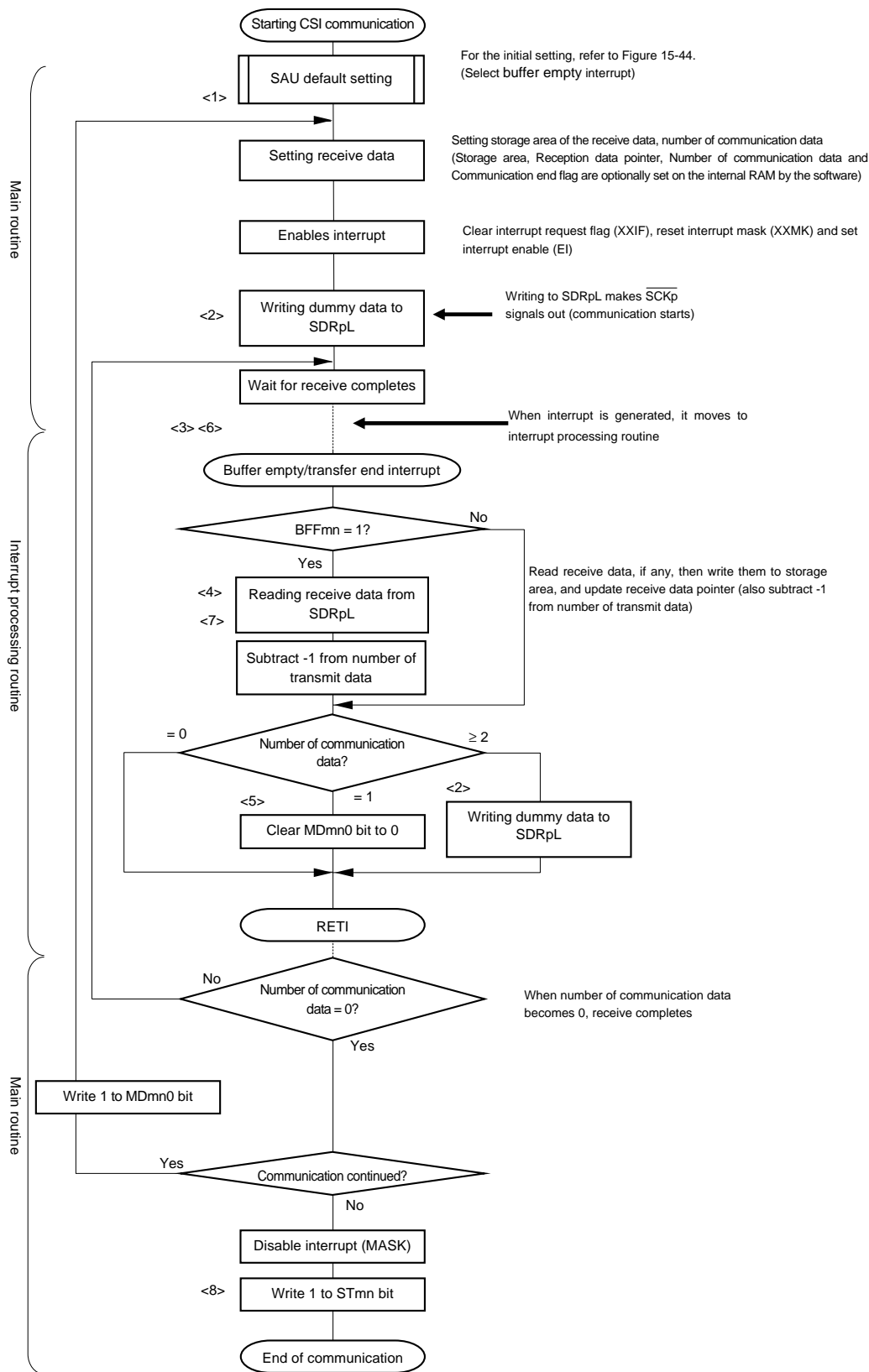
Figure 15-52. Flowchart of Master Reception (in Continuous Reception Mode) (CSI00, CSI01, CSI10, CSI11)



Remarks 1. <1> to <8> in the figure correspond to <1> to <8> in Figure 15-51 Timing Chart of Master Reception (in Continuous Reception Mode).

2. m: Unit number (m = 0, 1), n: Channel number (n = 0, 1), p: CSI number (p = 00, 01, 10, 11), mn = 00, 01, 10, 11

Figure 15-53. Flowchart of Master Reception (in Continuous Reception Mode) (CSI20, CSI21)



Remarks 1. <1> to <8> in the figure correspond to <1> to <8> in Figure 15-51 Timing Chart of Master Reception (in Continuous Reception Mode).

2. m: Unit number (m = 2), n: Channel number (n = 0, 1), p: CSI number (n = 20, 21), mn = 20, 21

15.5.3 Master transmission/reception

Master transmission/reception is an operation wherein this MCU outputs a transfer clock and transmits/receives data to/from other device.

3-Wire Serial I/O	CSI00	CSI01	CSI10	CSI11	CSI20	CSI21
Target channel	Channel 0 of SAU0	Channel 1 of SAU0	Channel 0 of SAU1	Channel 1 of SAU1	Channel 0 of SAU2	Channel 1 of SAU2
Pins used	SCK00, SI00, SO00	SCK01, SI01, SO01	SCK10, SI10, SO10	SCK11, SI11, SO11	SCK20, SI20, SO20	SCK21, SI21, SO21
Interrupt	INTCSI00	INTCSI01	INTCSI10	INTCSI11	INTCSI20	INTCSI21
	Transfer end interrupt (in single-transfer mode) or buffer empty interrupt (in continuous transfer mode) can be selected.					
Error detection flag	Overrun error detection flag (OVFmn) only					
Transfer data length	7 to 16 bits				7 and 8 bits	
Transfer rate	Max. $f_{MCK}/4$ [Hz] Min. $f_{CLK}/(2 \times 2^{11} \times 128)$ [Hz] ^{Note} f _{CLK} : System clock frequency				Max. $f_{MCK}/4$ [Hz] Min. $f_{CLK}/(2 \times 2^{15} \times 128)$ [Hz] ^{Note} f _{CLK} : System clock frequency	
Data phase	Selectable by the DAPmn bit of the SCRmn register <ul style="list-style-type: none"> • DAPmn = 0: Data I/O starts at the start of the serial clock operation. • DAPmn = 1: Data I/O starts half a clock before the start of the serial clock operation. 					
Clock phase	Selectable by the CKPmn bit of the SCRmn register <ul style="list-style-type: none"> • CKPmn = 0: Forward • CKPmn = 1: Reverse 					
Data direction	MSB or LSB first					

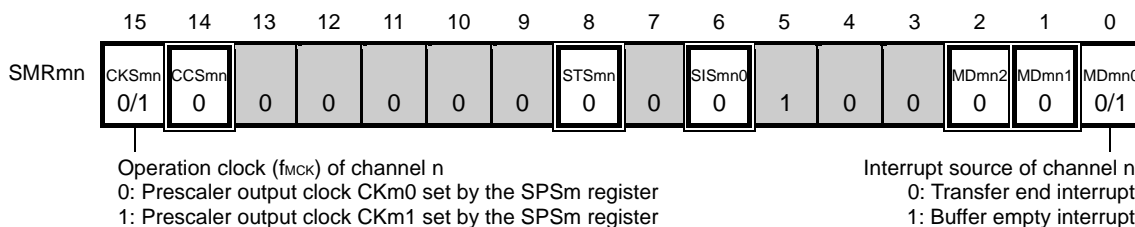
Note Use this operation within a range that satisfies the conditions above and the AC characteristics in the electrical specifications.

Remark m: Unit number (m = 0-2), n: Channel number (n = 0, 1), mn = 00, 01, 10, 11, 20, 21

(1) Register setting

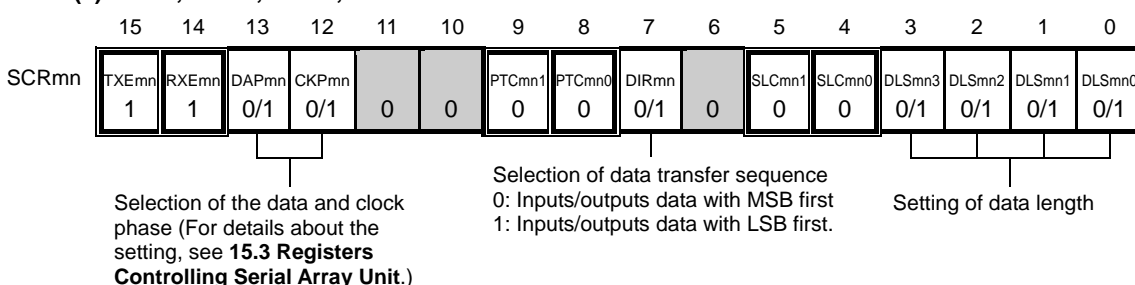
Figure 15-54. Example of Contents of Registers for Master Transmission/Reception of 3-Wire Serial I/O (CSI00, CSI01, CSI10, CSI11, CSI20, CSI21) (1/2)

(a) Serial mode register mn (SMRmn)

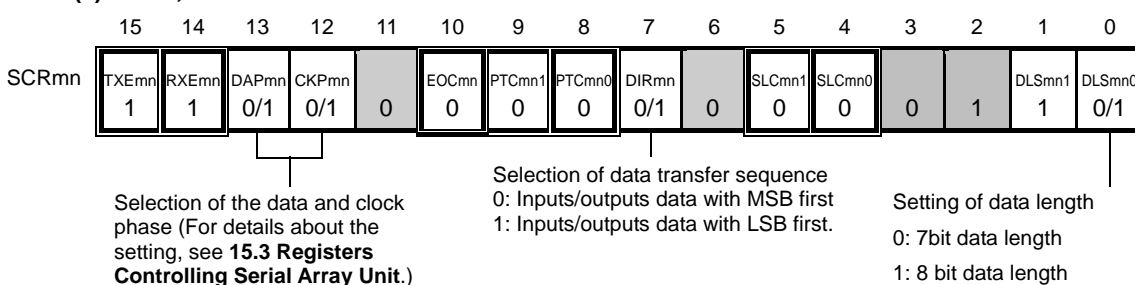


(b) Serial communication operation setting register mn (SCRmn)

(1) CSI00, CSI01, CSI10, CSI11

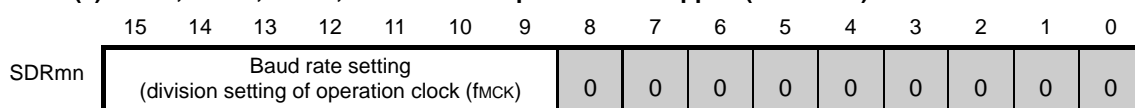


(2) CSI20, CSI21

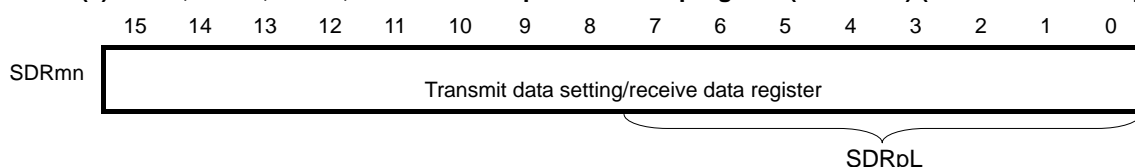


(c) Serial data register mn (SDRmn)

(1) CSI00, CSI01, CSI10, CSI11: When operation is stopped ($SEmn = 0$)



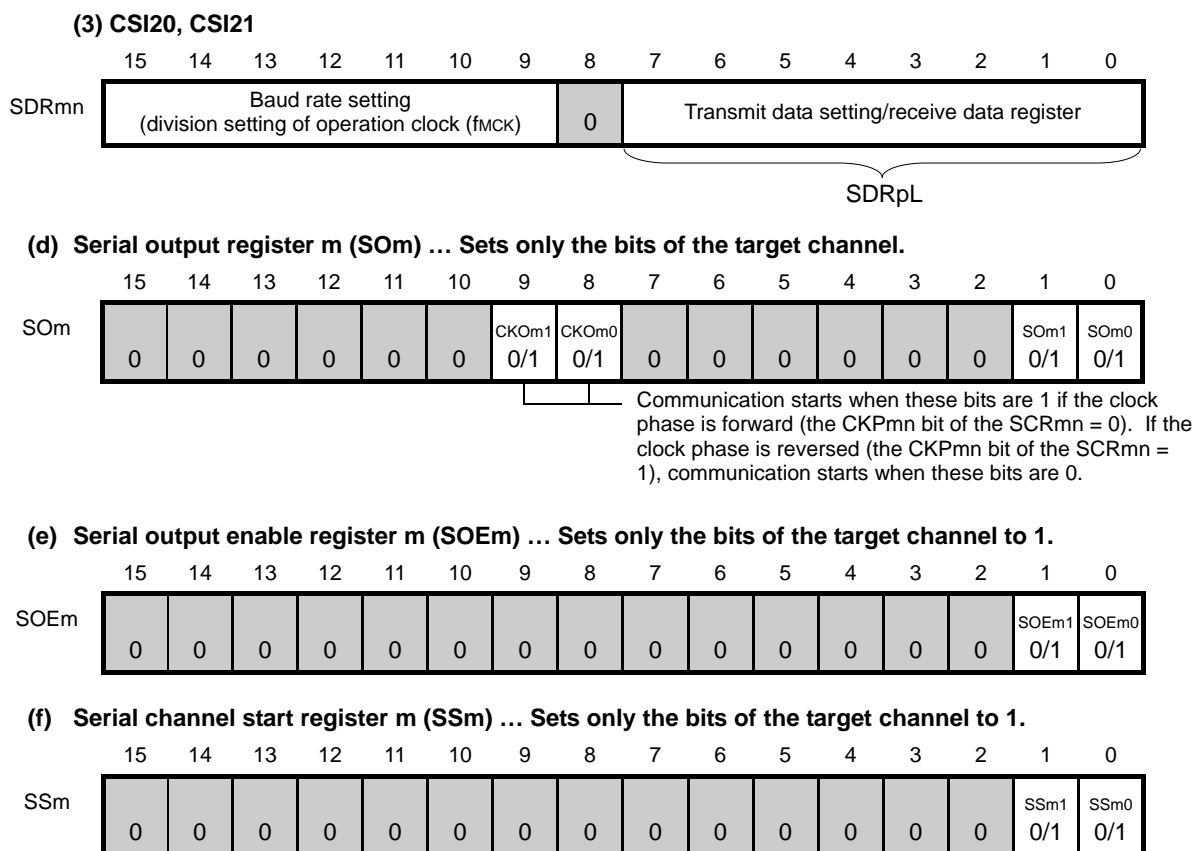
(2) CSI00, CSI01, CSI10, CSI11: When operation is in progress ($SEmn = 1$) (Lower 8 bits: SDRpL)



- Remarks**
- m: Unit number (m = 0-2), n: Channel number (n = 0, 1), p: CSI number (p = 00, 01, 10, 11, 20, 21), mn = 00, 01, 10, 11, 20, 21
 - | | |
|--|--|
| | : Setting is fixed in the CSI master transmission/reception mode |
| | : Setting disabled (set to the initial value) |

 0/1: Set to 0 or 1 depending on the usage of the user

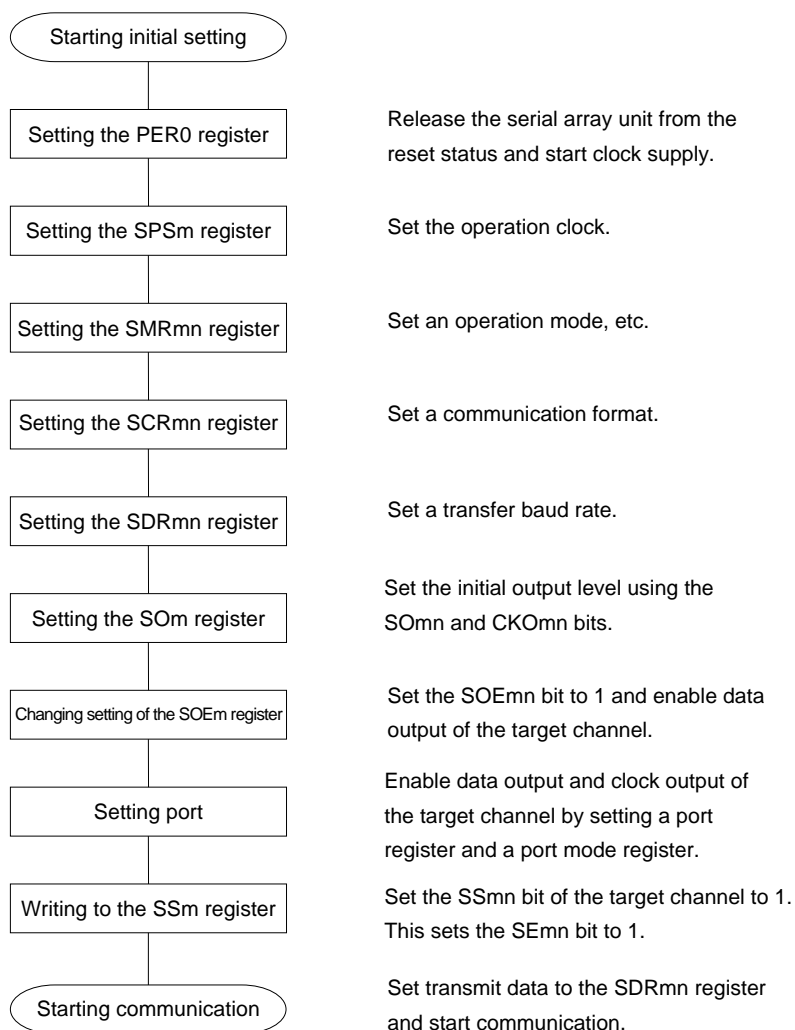
Figure 15-54. Example of Contents of Registers for Master Transmission/Reception of 3-Wire Serial I/O (CSI00, CSI01, CSI10, CSI11, CSI20, CSI11) (2/2)



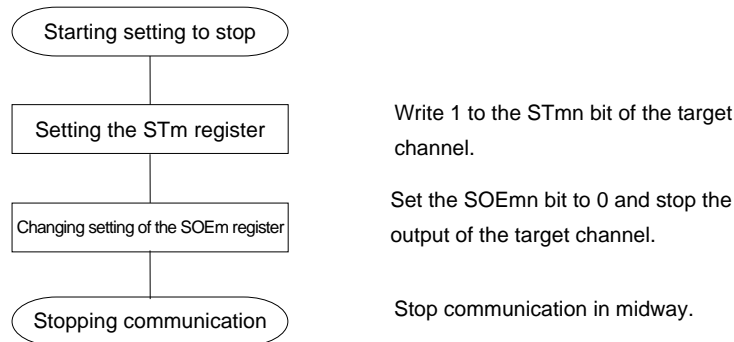
- Remarks**
1. m: Unit number (m = 0-2), n: Channel number (n = 0, 1), p: CSI number (p = 00, 01, 10, 11, 20, 21), mn = 00, 01, 10, 11, 20, 21
 2. : Setting is fixed in the CSI master transmission/reception mode
: Setting disabled (set to the initial value)
 0/1: Set to 0 or 1 depending on the usage of the user

(2) Operation procedure

Figure 15-55. Initial Setting Procedure for Master Transmission/Reception (CSI00, CSI01, CSI10, CSI11)

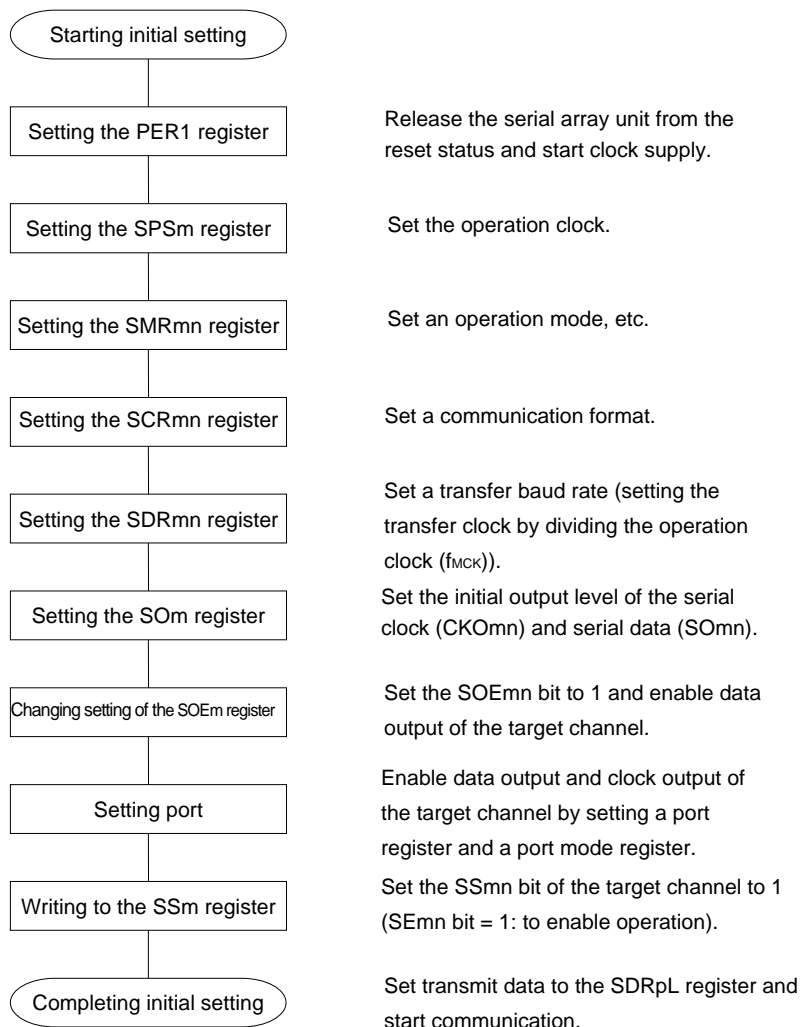


Remark m: Unit number (m = 0, 1), n: Channel number (n = 0, 1), p: CSI number (p = 00, 01, 10, 11), mn = 00, 01, 10, 11

Figure 15-56. Procedure for Stopping Master Transmission/Reception (CSI00, CSI01, CSI10, CSI11)

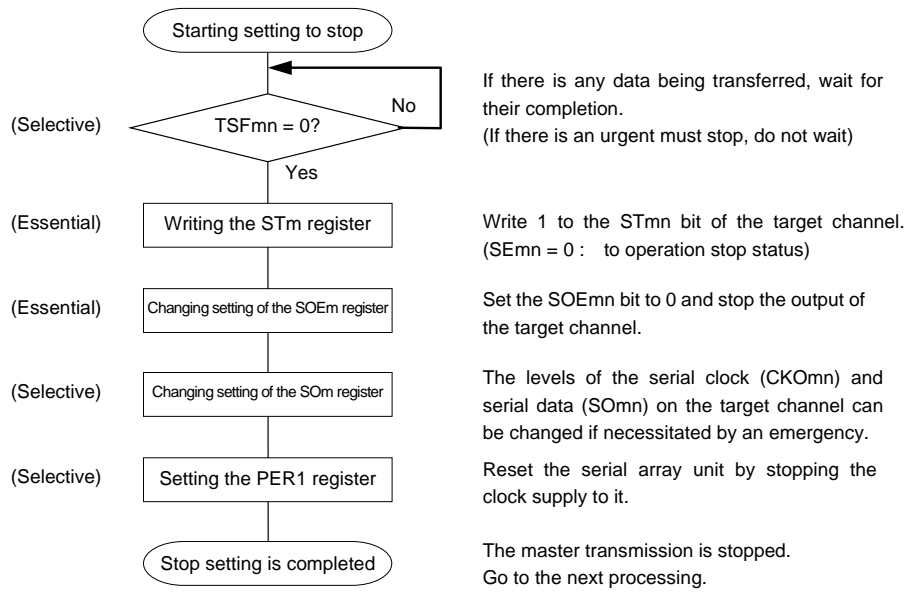
- Remarks 1.** Even after communication is stopped, the pin level is retained. To resume the operation, re-set serial output register m (SOM) (see **Figure 15-59, Figure 15-60 Procedure for Resuming Master Transmission/Reception**).
- 2.** m: Unit number (m = 0, 1), n: Channel number (n = 0, 1), p: CSI number (p = 00, 01, 10, 11), mn = 00, 01, 10, 11

Figure 15-57. Initial Setting Procedure for Master Transmission/Reception (CSI20, CSI21)



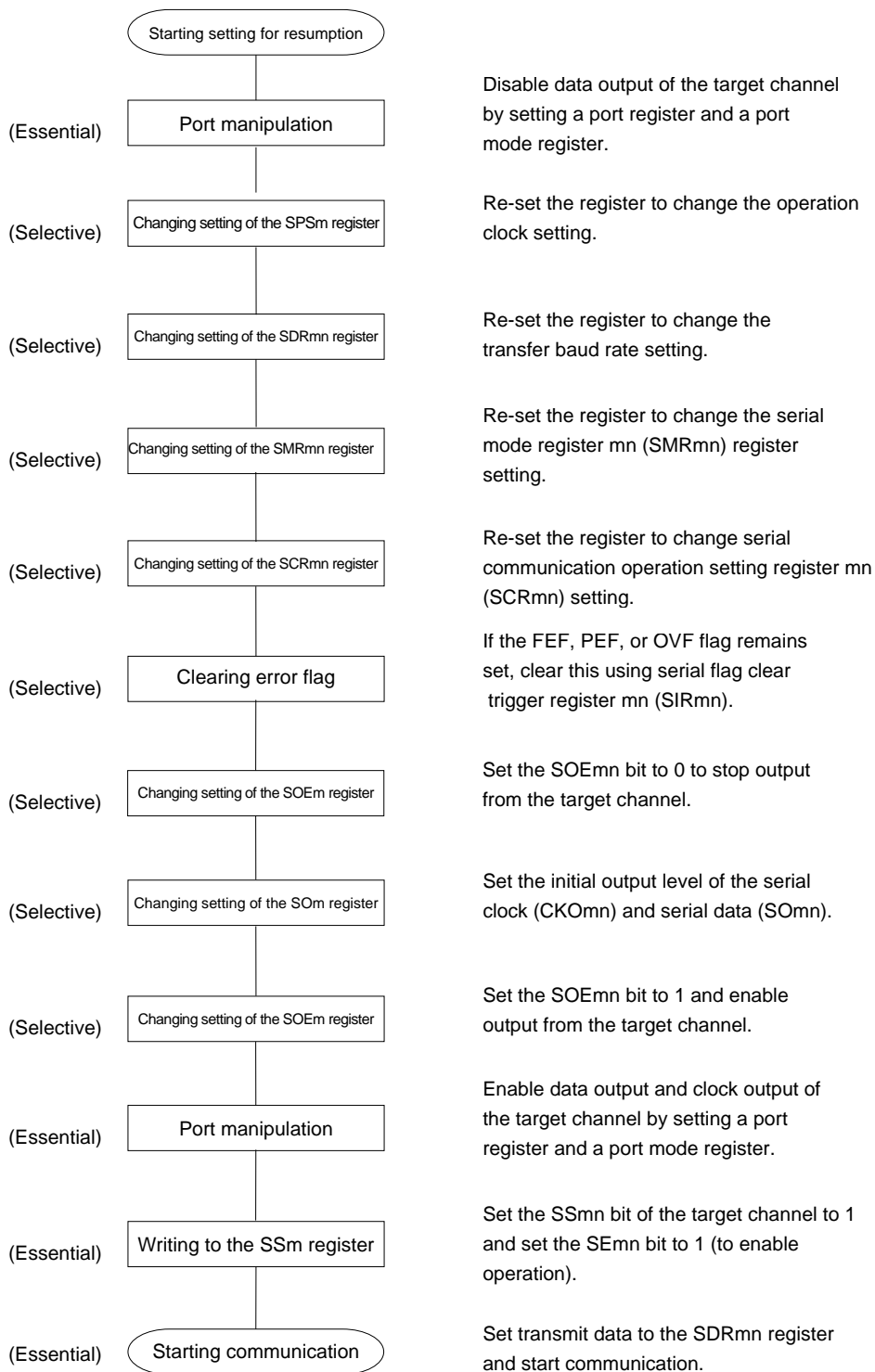
Remark m: Unit number (m = 2), n: Channel number (n = 0, 1), p: CSI number (n = 20, 21), mn = 20, 21

Figure 15-58. Procedure for Stopping Master Transmission/Reception (CSI20, CSI21)



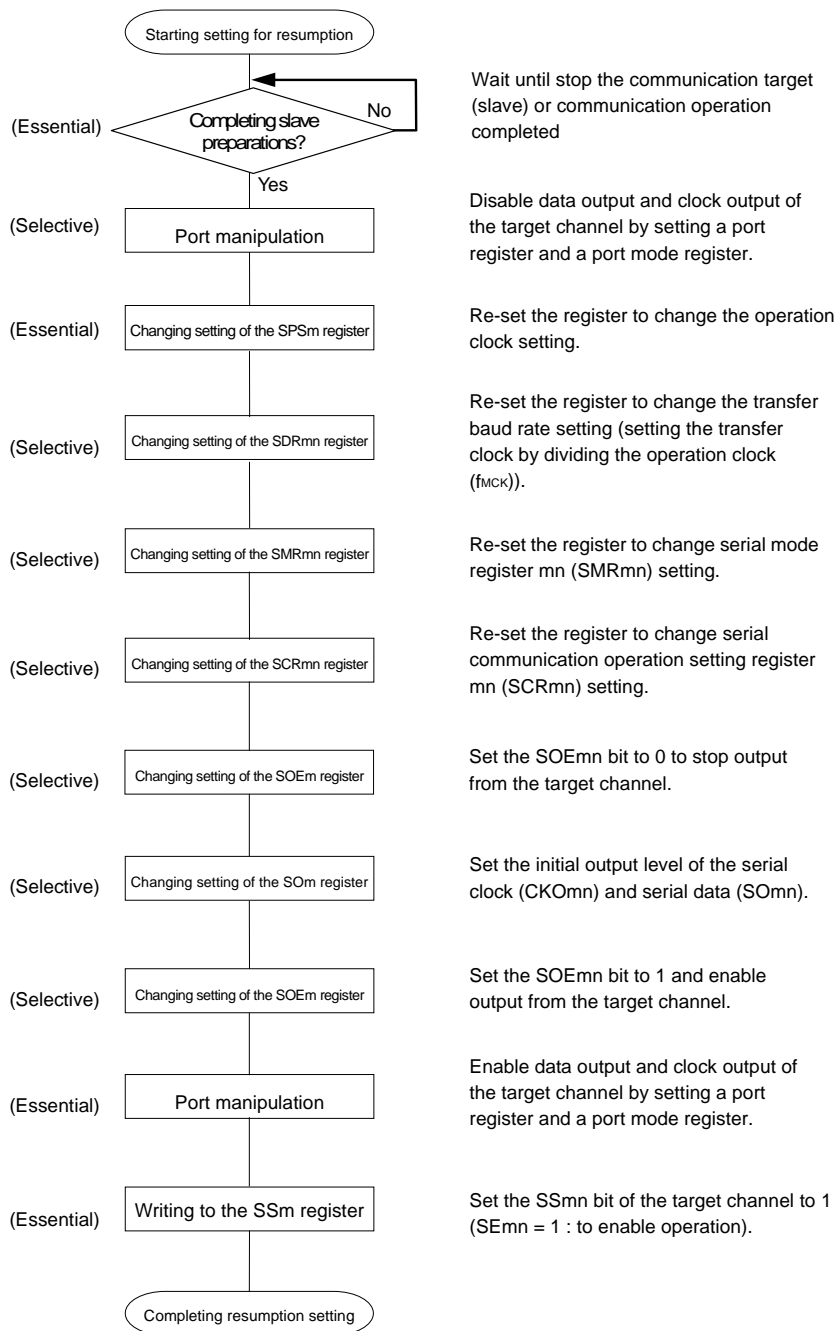
Remark m: Unit number (m = 2), n: Channel number (n = 0, 1), p: CSI number (n = 20, 21), mn = 20, 21

Figure 15-59. Procedure for Resuming Master Transmission/Reception (CSI00, CSI01, CSI10, CSI11)



Remark m: Unit number (m = 0, 1), n: Channel number (n = 0, 1), p: CSI number (p = 00, 01, 10, 11), mn = 00, 01, 10, 11

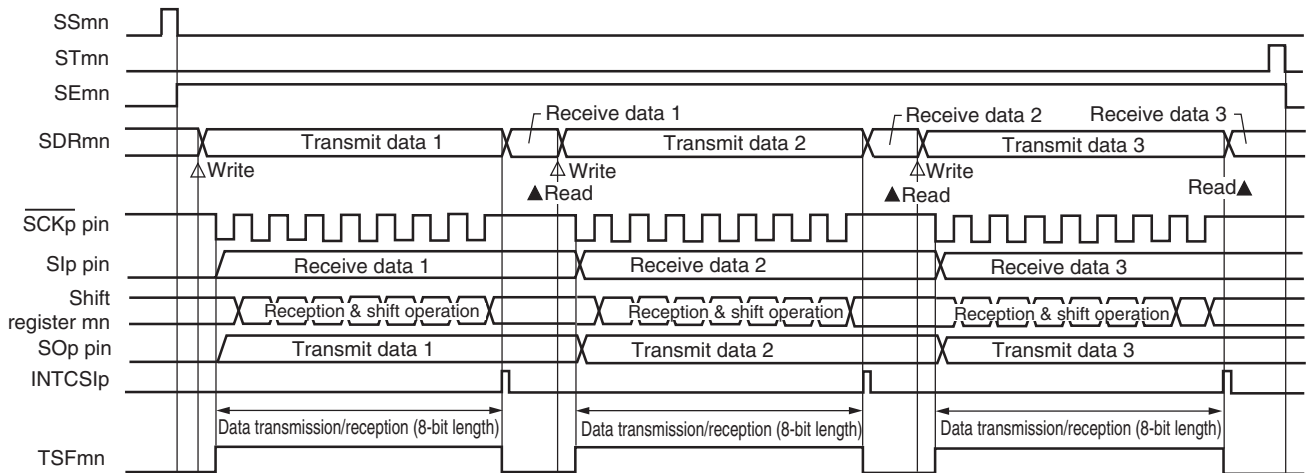
Figure 15-60. Procedure for Resuming Master Transmission/Reception (CSI20, CSI21)



Remark m: Unit number (m = 2), n: Channel number (n = 0, 1), p: CSI number (n = 20, 21), mn = 20, 21

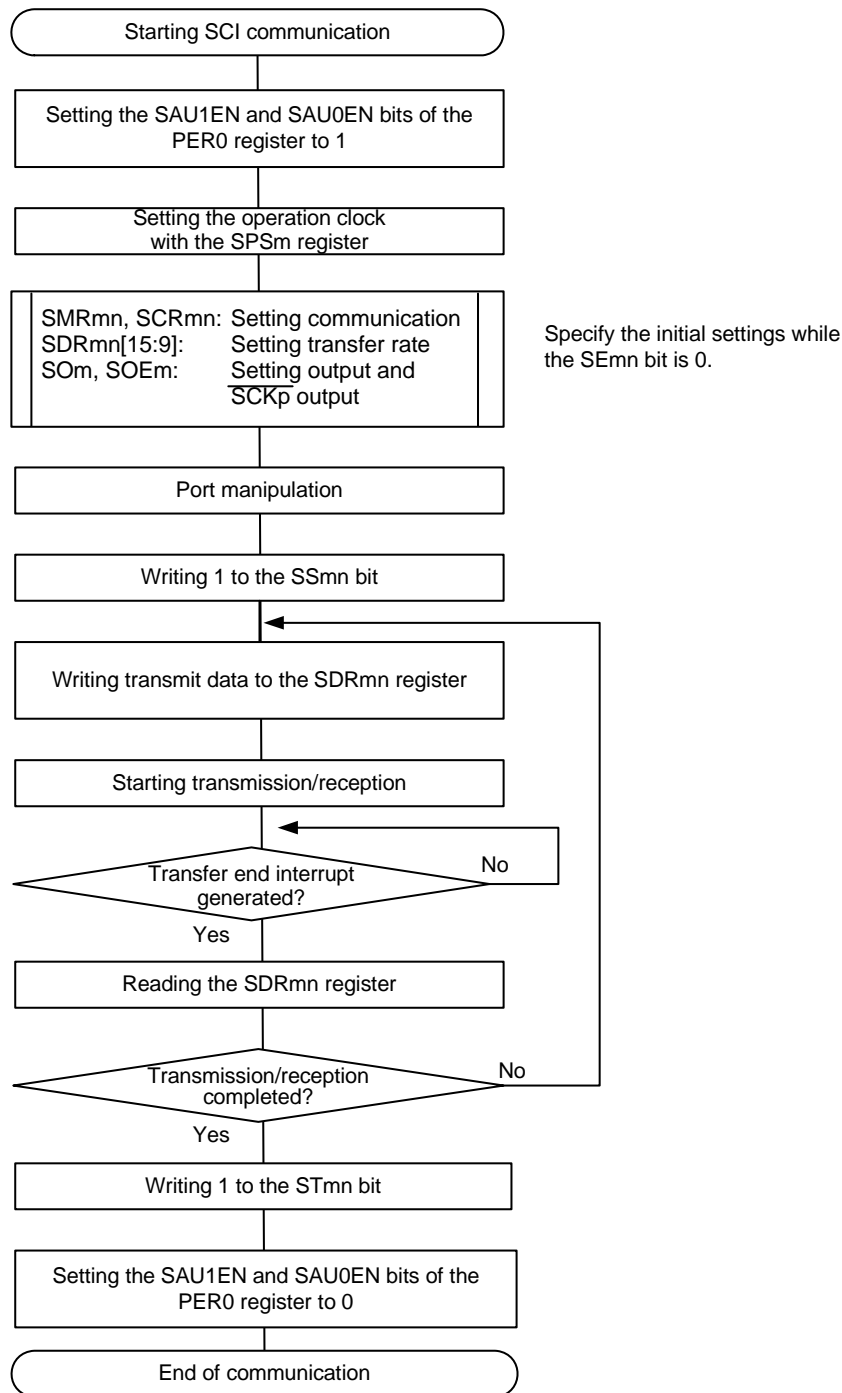
(3) Processing flow (in single-transmission/reception mode)

Figure 15-61. Timing Chart of Master Transmission/Reception (in Single-Transmission/Reception Mode)
 (Type 1: DAPmn = 0, CKPmn = 0)



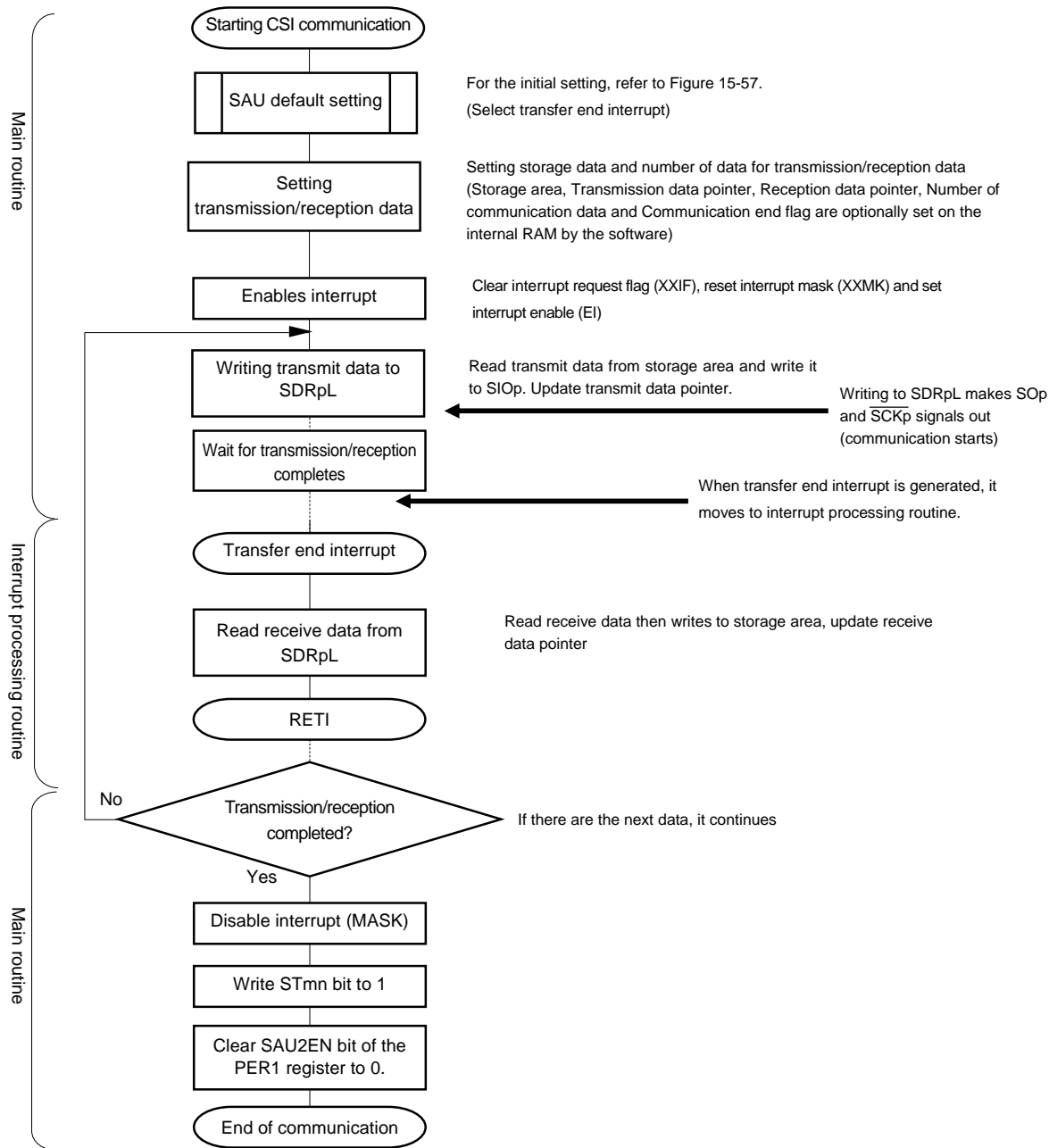
Remark m: Unit number (m = 0-2), n: Channel number (n = 0, 1), p: CSI number (p = 00, 01, 10, 11, 20, 21),
 mn = 00, 01, 10, 11, 20, 21

Figure 15-62. Flowchart of Master Transmission/Reception (in Single- Transmission/Reception Mode) (CSI00, CSI01, CSI10, CSI11)



Remark m: Unit number (m = 0, 1), n: Channel number (n = 0, 1), p: CSI number (p = 00, 01, 10, 11), mn = 00, 01, 10, 11

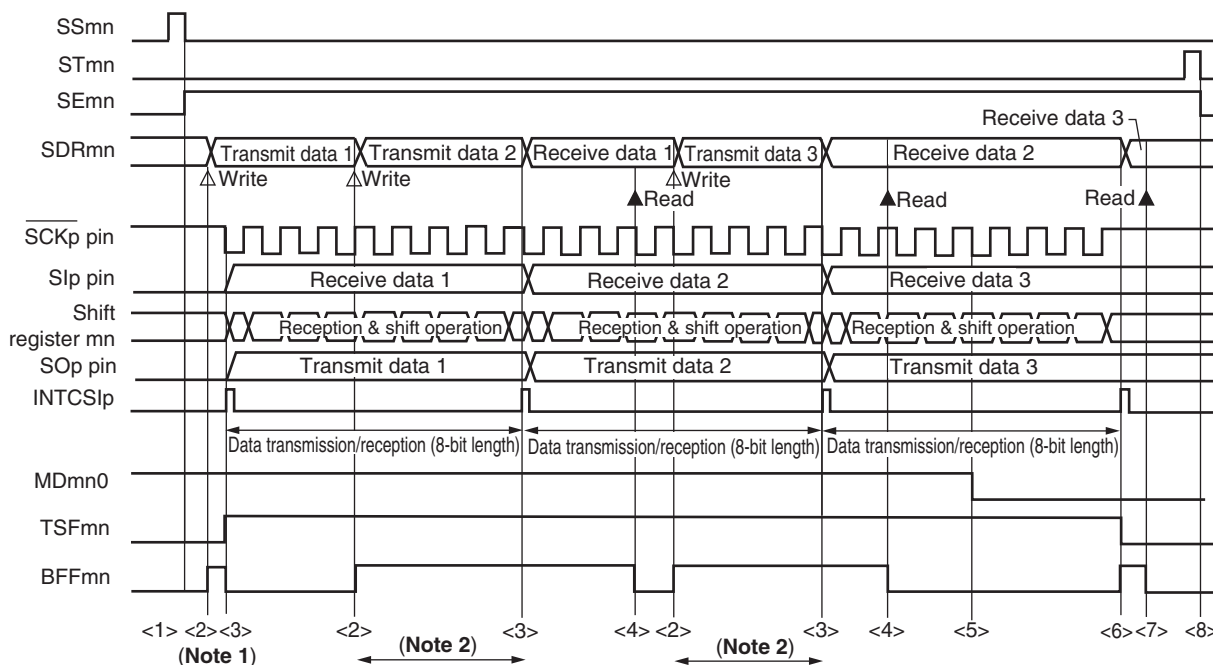
Figure 15-63. Flowchart of Master Transmission/Reception (in Single- Transmission/Reception Mode) (CSI20, CSI21)



Remark m: Unit number (m = 2), n: Channel number (n = 0, 1), p: CSI number (n = 20, 21), mn = 20, 21

(4) Processing flow (in continuous transmission/reception mode)

Figure 15-64. Timing Chart of Master Transmission/Reception (in Continuous Transmission/Reception Mode)
(Type 1: DAPmn = 0, CKPmn = 0)

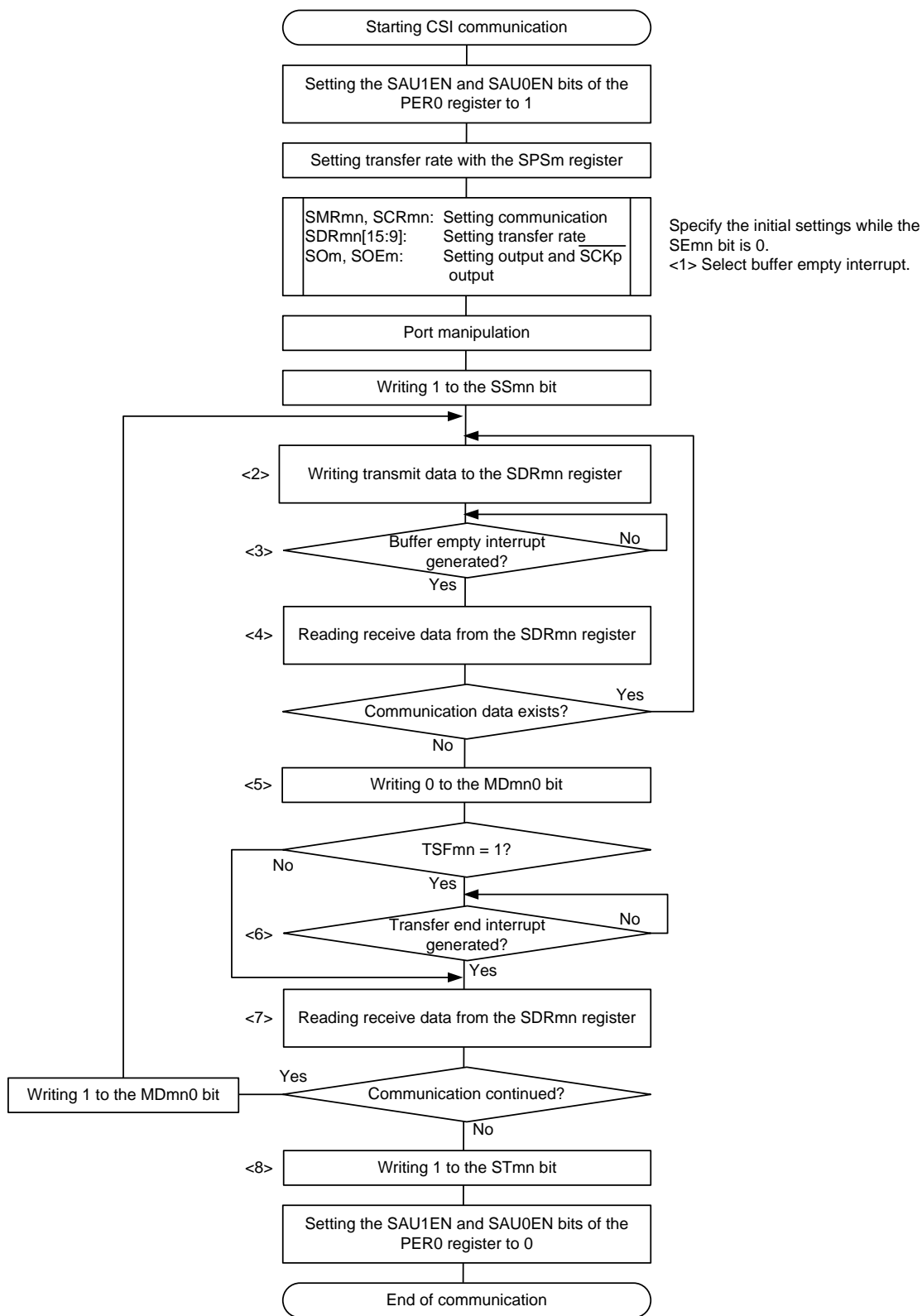


- Notes**
1. If transmit data is written to the SDRmn register while the BFFmn bit of serial status register mn (SSRmn) is 1 (valid data is stored in serial data register mn (SDRmn)), the transmit data is overwritten.
 2. The transmit data can be read by reading the SDRmn register during this period. At this time, the transfer operation is not affected.

Caution The MDmn0 bit of serial mode register mn (SMRmn) can be rewritten even during operation. However, rewrite it before transfer of the last bit is started, so that it has been rewritten before the transfer end interrupt of the last transmit data.

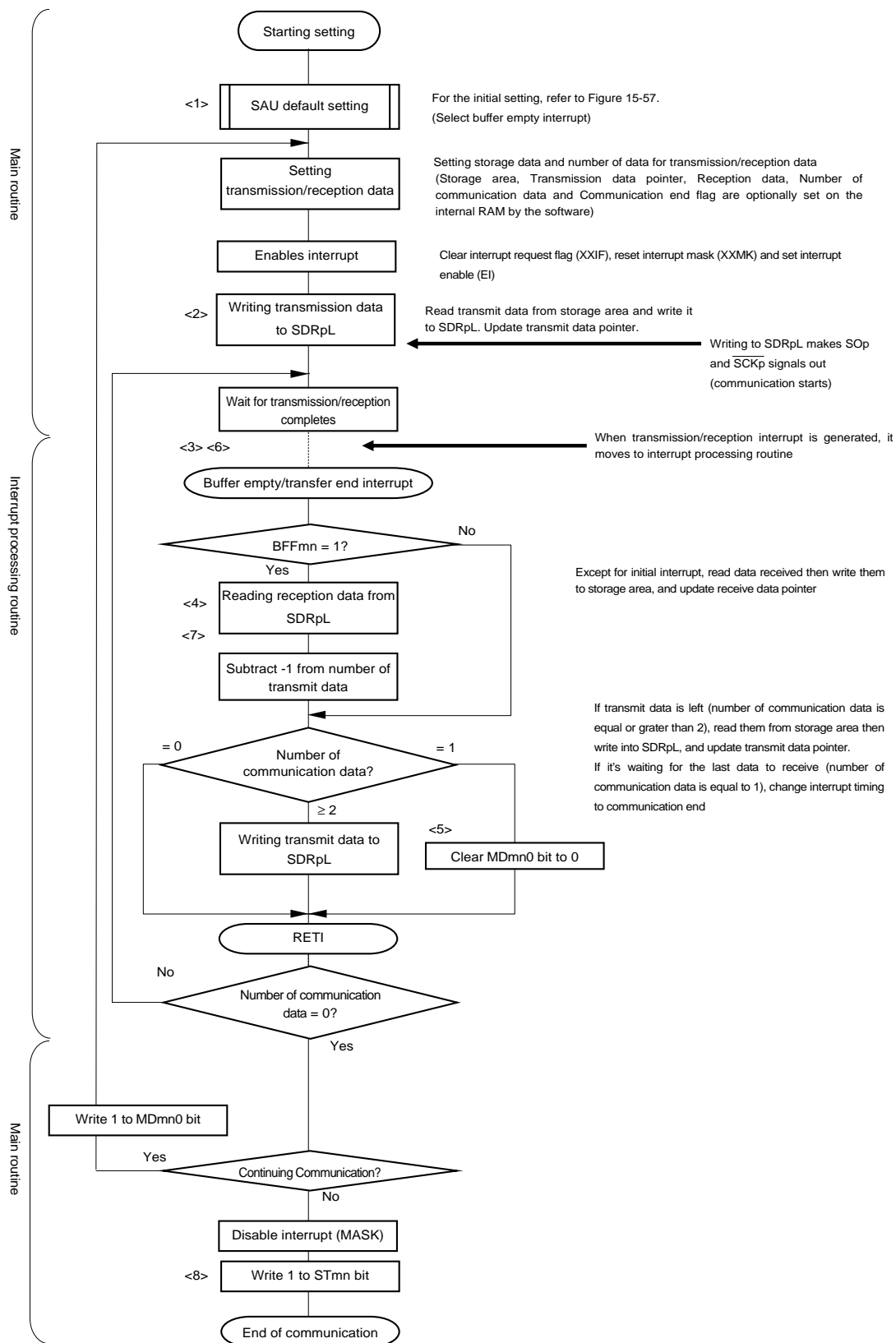
- Remarks**
1. <1> to <8> in the figure correspond to <1> to <8> in Figure 15-65 and 15-66 Flowchart of Master Transmission/Reception (in Continuous Transmission/Reception Mode).
 2. m: Unit number (m = 0-2), n: Channel number (n = 0, 1), p: CSI number (p = 00, 01, 10, 11, 20, 21), mn = 00, 01, 10, 11, 20, 21

Figure 15-65. Flowchart of Master Transmission/Reception (in Continuous Transmission/Reception Mode) (CSI00, CSI01, CSI10, CSI11)



- Remarks 1.** <1> to <8> in the figure correspond to <1> to <8> in **Figure 15-64 Timing Chart of Master Transmission/Reception (in Continuous Transmission/Reception Mode)**.
- 2.** m: Unit number (m = 0, 1), n: Channel number (n = 0, 1), mn = 00, 01, 10, 11

Figure 15-66. Flowchart of Master Transmission/Reception (in Continuous Transmission/Reception Mode) (CSI20, CSI21)



Remarks 1. <1> to <8> in the figure correspond to <1> to <8> in **Figure 15-64 Timing Chart of Master Transmission/Reception (in Continuous Transmission/Reception Mode).**

2. m: Unit number (m = 2), n: Channel number (n = 0, 1), p: CSI number (n = 20, 21), mn = 20, 21

15.5.4 Slave transmission

Slave transmission is an operation wherein the MCU transmits data to another device in the state of a transfer clock being input from another device.

3-Wire Serial I/O	CSI00	CSI01	CSI10	CSI11	CSI20	CSI21
Target channel	Channel 0 of SAU0	Channel 1 of SAU0	Channel 0 of SAU1	Channel 1 of SAU1	Channel 0 of SAU2	Channel 1 of SAU2
Pins used	$\overline{\text{SCK00}}$, SO00	$\overline{\text{SCK01}}$, SO01	$\overline{\text{SCK10}}$, SO10	$\overline{\text{SCK11}}$, SO11	$\overline{\text{SCK20}}$, SO20	$\overline{\text{SCK21}}$, SO21
Interrupt	INTCSI00	INTCSI01	INTCSI10	INTCSI11	INTCSI20	INTCSI21
	Transfer end interrupt (in single-transfer mode) or buffer empty interrupt (in continuous transfer mode) can be selected.					
Error detection flag	Overrun error detection flag (OVFmn) only					
Transfer data length	7 to 16 bits				7 and 8 bits	
Transfer rate	Max. $f_{\text{MCK}}/6$ [Hz] ^{Notes 1, 2} .					
Data phase	Selectable by the DAPmn bit of the SCRmn register <ul style="list-style-type: none"> • DAPmn = 0: Data output starts from the start of the serial clock operation. • DAPmn = 1: Data output starts half a clock before the start of the serial clock operation. 					
Clock phase	Selectable by the CKPmn bit of the SCRmn register <ul style="list-style-type: none"> • CKPmn = 0: Forward • CKPmn = 1: Reverse 					
Data direction	MSB or LSB first					

Notes 1. Because the external serial clock input to the $\overline{\text{SCK00}}$, $\overline{\text{SCK01}}$, $\overline{\text{SCK10}}$, $\overline{\text{SCK11}}$, $\overline{\text{SCK20}}$, and $\overline{\text{SCK21}}$ pins is sampled internally and used, the fastest transfer rate is $f_{\text{MCK}}/6$ [Hz].

2. Use this operation within a range that satisfies the conditions above and the AC characteristics in the electrical specifications.

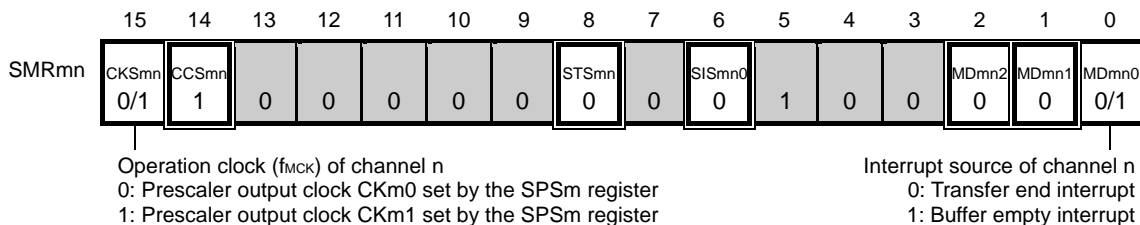
Remarks 1. f_{MCK} : Operation clock frequency of target channel

2. m: Unit number (m = 0-2), n: Channel number (n = 0, 1), mn = 00, 01, 10, 11, 20, 21

(1) Register setting

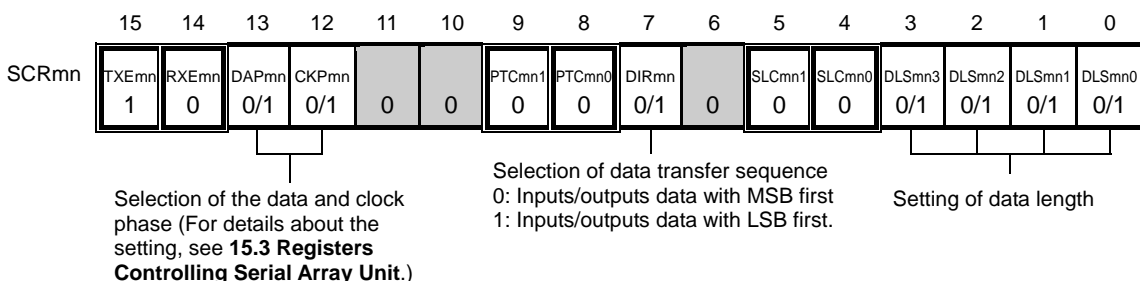
Figure 15-67. Example of Contents of Registers for Slave Transmission of 3-Wire Serial I/O (CSI00, CSI01, CSI10, CSI11, CSI20, CSI21) (1/2)

(a) Serial mode register mn (SMRmn)

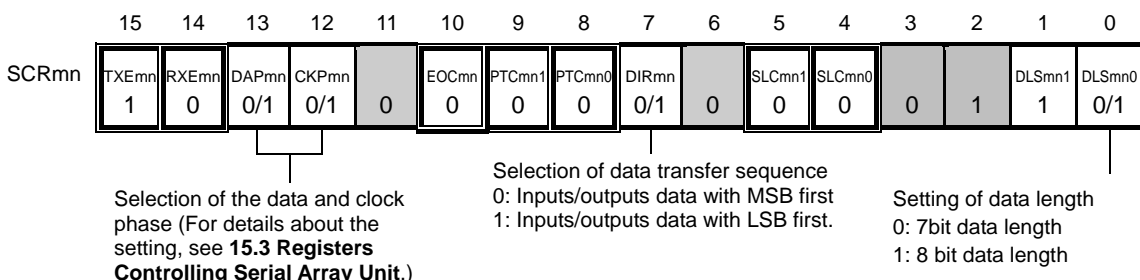


(b) Serial communication operation setting register mn (SCRmn)

(1) CSI00, CSI01, CSI10, CSI11

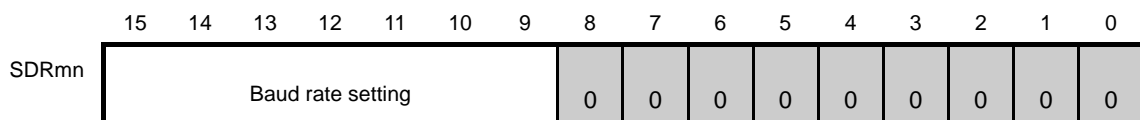


(2) CSI20, CSI21

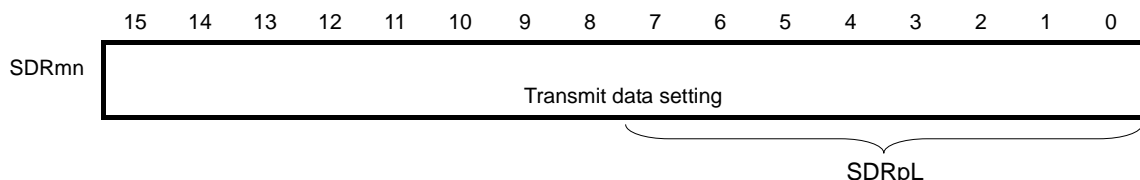


(c) Serial data register mn (SDRmn)

(1) CSI00, CSI01, CSI10, CSI11: When operation is stopped ($SEmn = 0$)

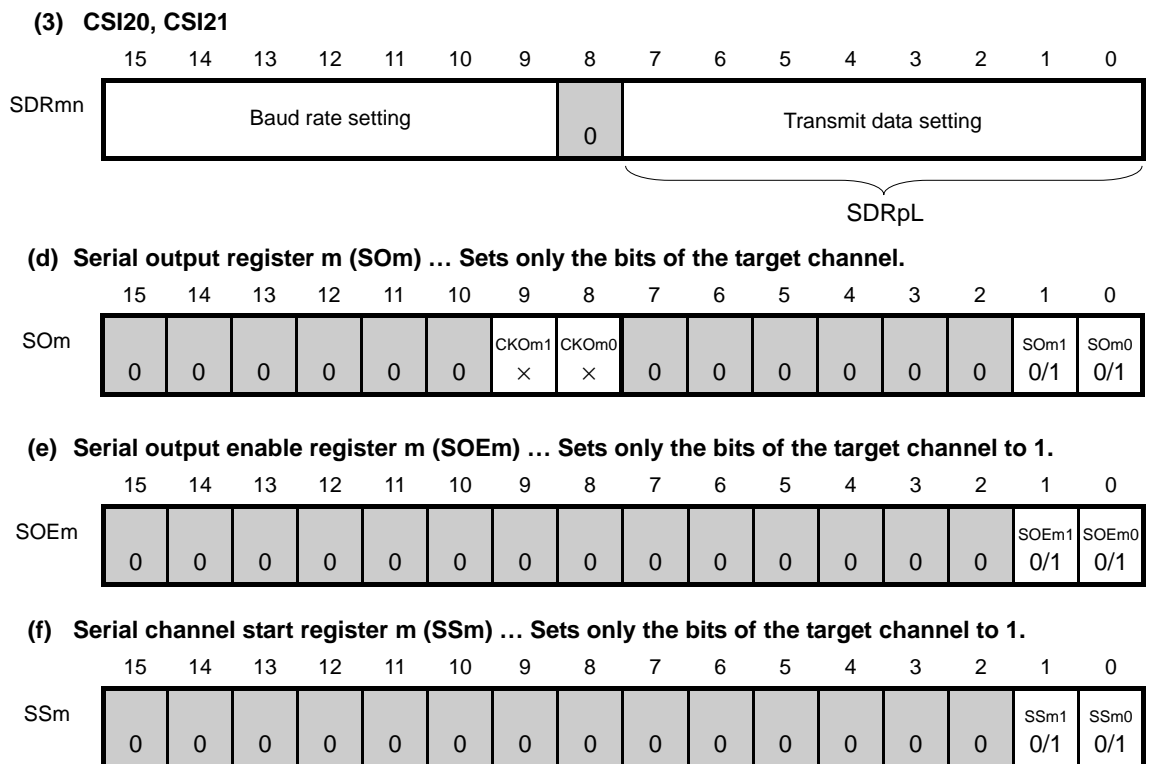


(2) CSI00, CSI01, CSI10, CSI11: When operation is in progress ($SEmn = 1$) (Lower 8 bits: SDRpL)



- Remarks**
- m: Unit number (m = 0-2), n: Channel number (n = 0, 1), p: CSI number (p = 00, 01, 10, 11, 20, 21), mn = 00, 01, 10, 11, 20, 21
 - | | |
|-----|---|
| | : Setting is fixed in the CSI slave transmission mode |
| | : Setting disabled (set to the initial value) |
| × | : Bit that cannot be used in this mode (set to the initial value when not used in any mode) |
| 0/1 | : Set to 0 or 1 depending on the usage of the user |

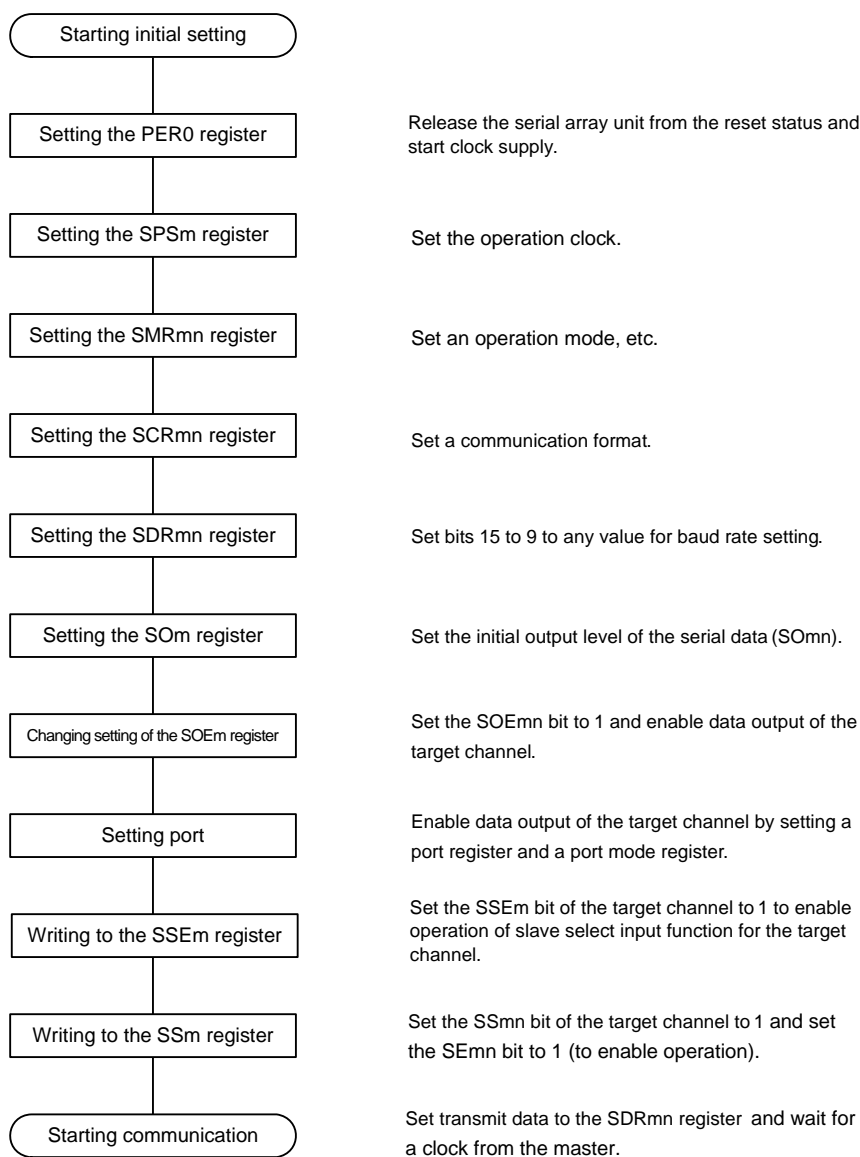
Figure 15-67. Example of Contents of Registers for Slave Transmission of 3-Wire Serial I/O (CSI00, CSI01, CSI10, CSI11, CSI20, CSI21) (2/2)



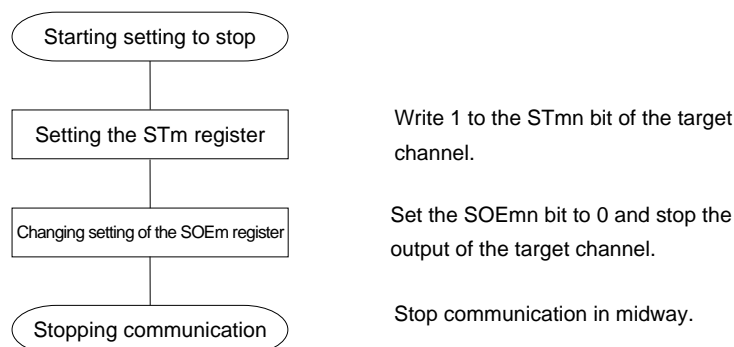
- Remarks 1.** m: Unit number (m = 0-2), n: Channel number (n = 0, 1), p: CSI number (p = 00, 01, 10, 11, 20, 21), mn = 00, 01, 10, 11, 20, 21
- 2.** : Setting is fixed in the CSI slave transmission mode
 : Setting disabled (set to the initial value)
 × : Bit that cannot be used in this mode (set to the initial value when not used in any mode)
 0/1 : Set to 0 or 1 depending on the usage of the user

(2) Operation procedure

Figure 15-68. Initial Setting Procedure for Slave Transmission (CSI00, CSI01, CSI10, CSI11)

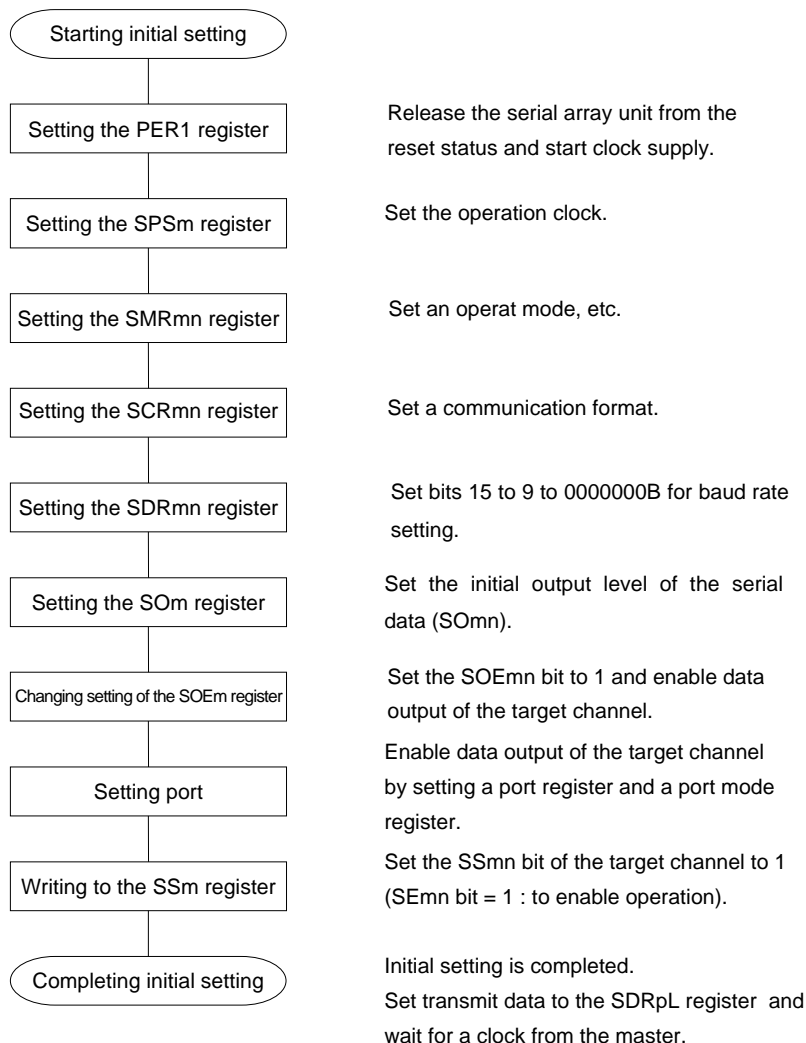


Remark m: Unit number (m = 0, 1), n: Channel number (n = 0, 1), mn = 00, 01, 10, 11

Figure 15-69. Procedure for Stopping Slave Transmission (CSI00, CSI01, CSI10, CSI11)

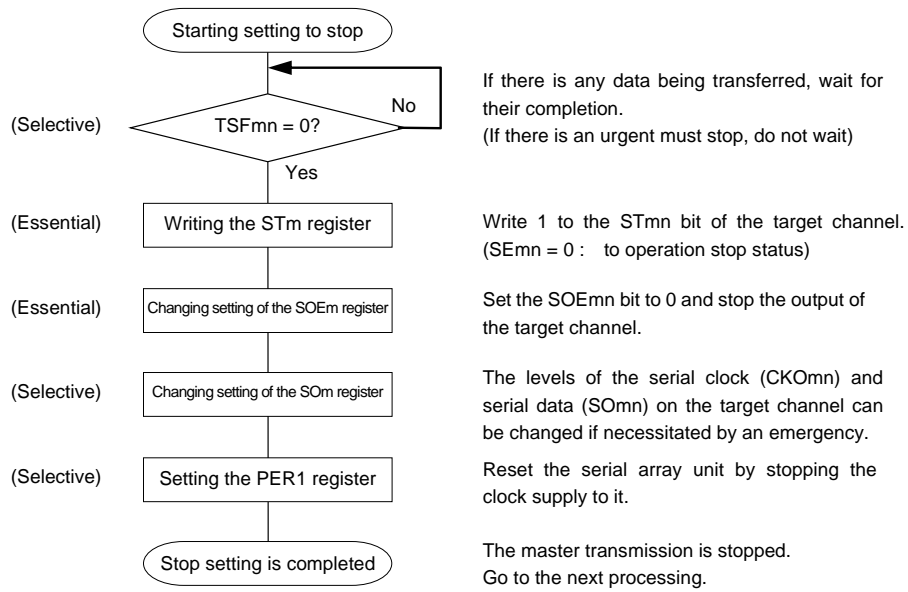
- Remarks 1.** Even after communication is stopped, the pin level is retained. To resume the operation, re-set serial output register m (SO_m) (see **Figure 15-72 Procedure for Resuming Slave Transmission**).
- 2.** m: Unit number (m = 0, 1), n: Channel number (n = 0, 1), mn = 00, 01, 10, 11

Figure 15-70. Initial Setting Procedure for Slave Transmission (CSI20, CSI21)



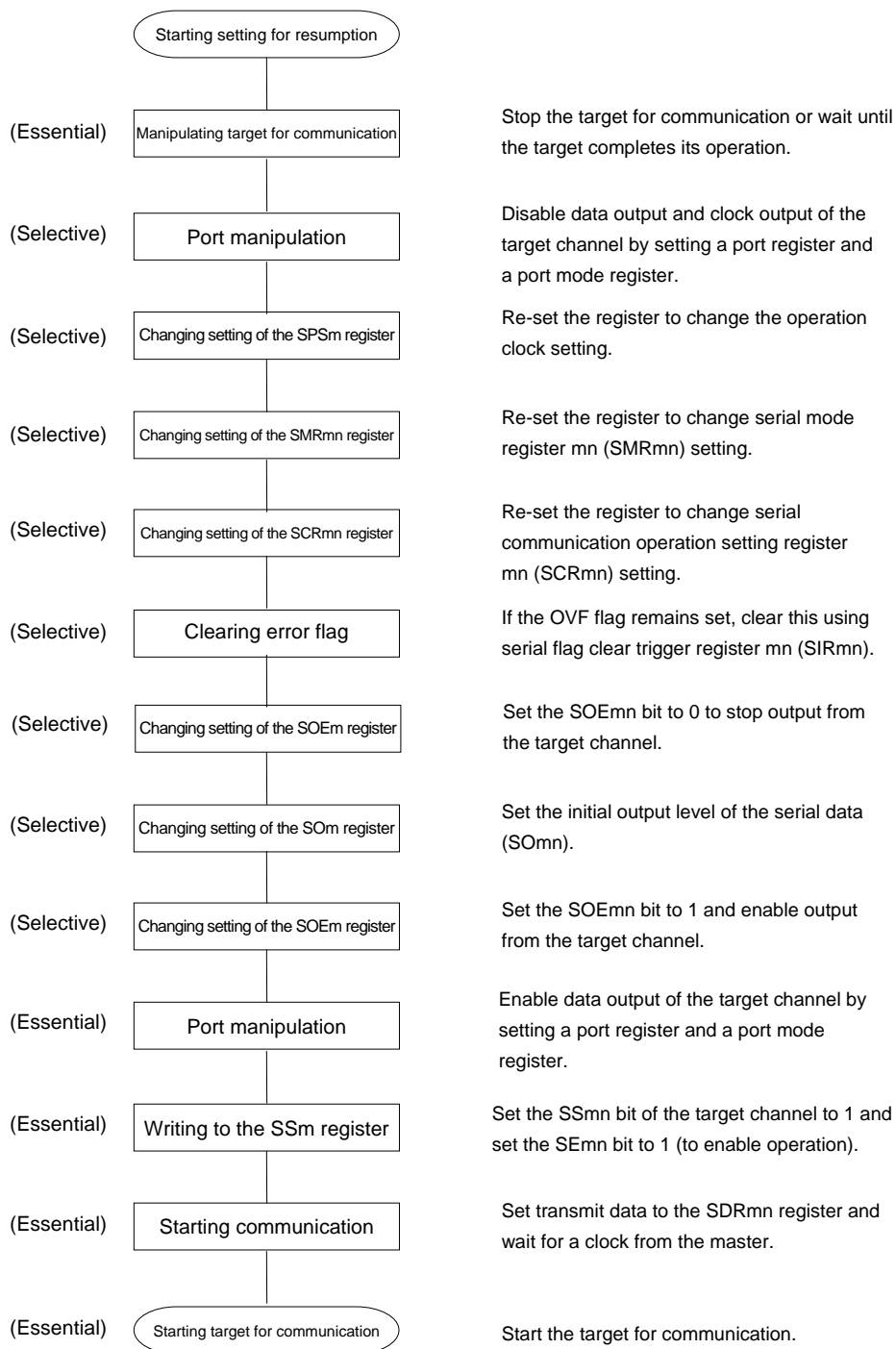
Remark m: Unit number (m = 2), n: Channel number (n = 0, 1), p: CSI number (n = 20, 21), mn = 20, 21

Figure 15-71. Procedure for Stopping Slave Transmission (CSI20, CSI21)



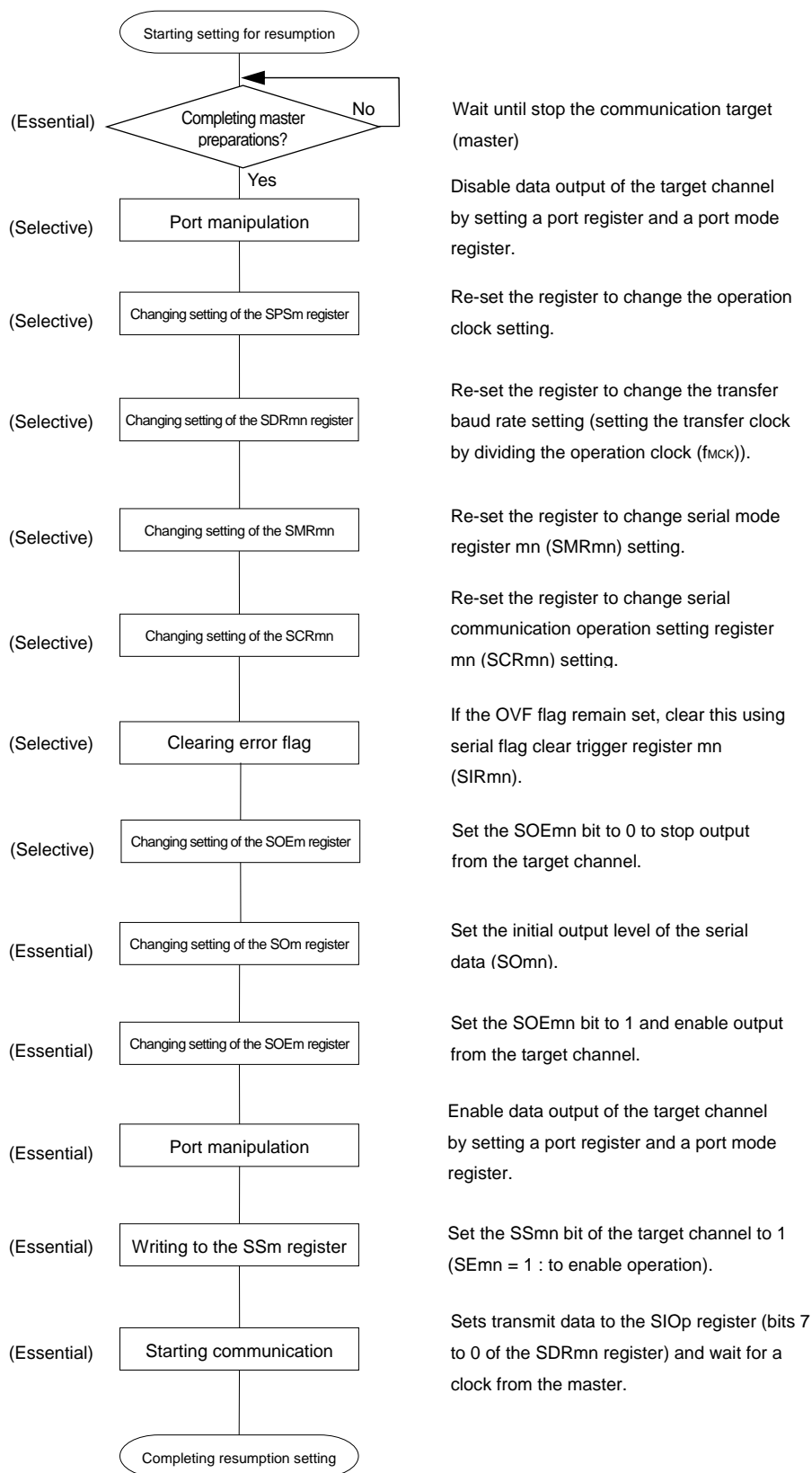
Remark m: Unit number (m = 2), n: Channel number (n = 0, 1), p: CSI number (n = 20, 21), mn = 20, 21

Figure 15-72. Procedure for Resuming Slave Transmission (CSI00, CSI01, CSI10, CSI11)



Remark m: Unit number (m = 0, 1), n: Channel number (n = 0, 1), mn = 00, 01, 10, 11

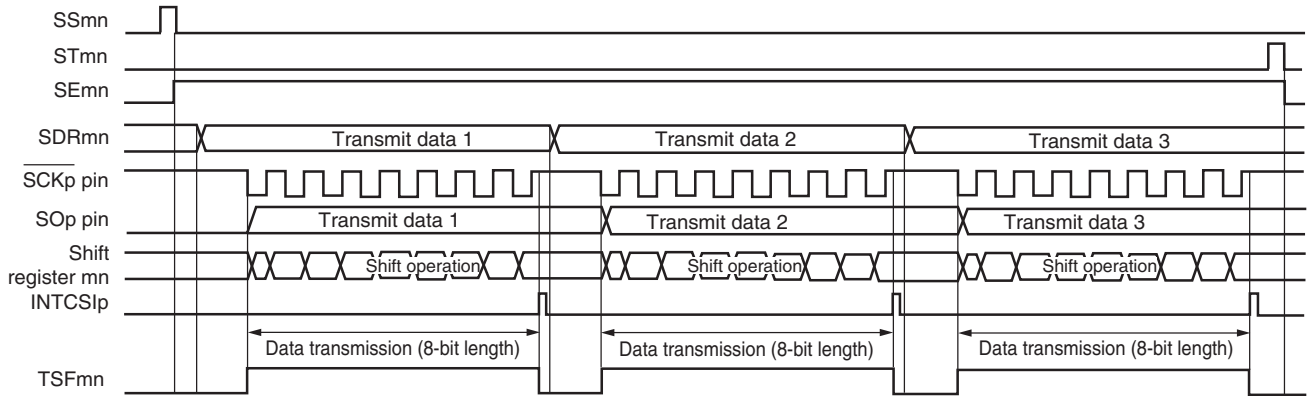
Figure 15-73. Procedure for Resuming Slave Transmission (CSI20, CSI21)



- Remarks 1.** If PER1 is rewritten while stopping the master transmission and the clock supply is stopped, wait until the transmission target (master) stops or transmission finishes, and then perform initialization instead of restarting the transmission.
- 2.** m: Unit number (m = 2), n: Channel number (n = 0, 1), p: CSI number (n = 20, 21), mn = 20, 21

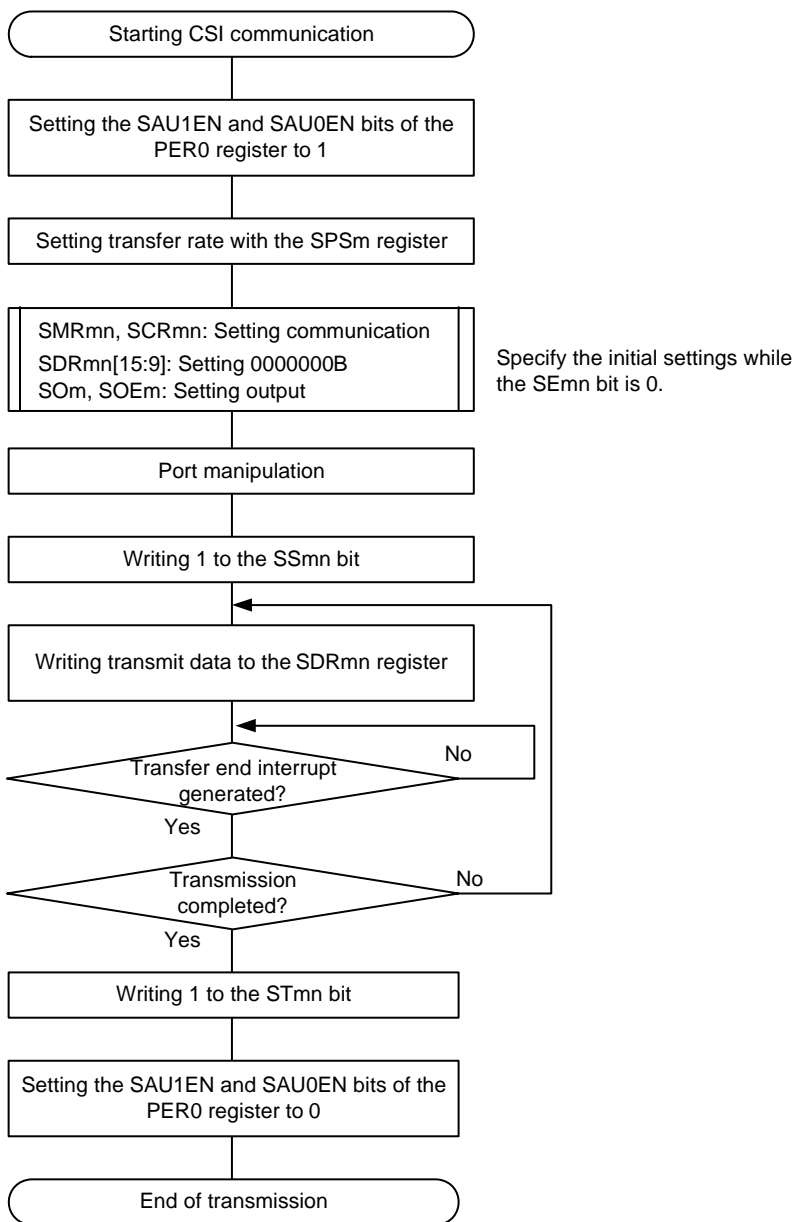
(3) Processing flow (in single-transmission mode)

Figure 15-74. Timing Chart of Slave Transmission (in Single-Transmission Mode)
(Type 1: DAPmn = 0, CKPmn = 0)



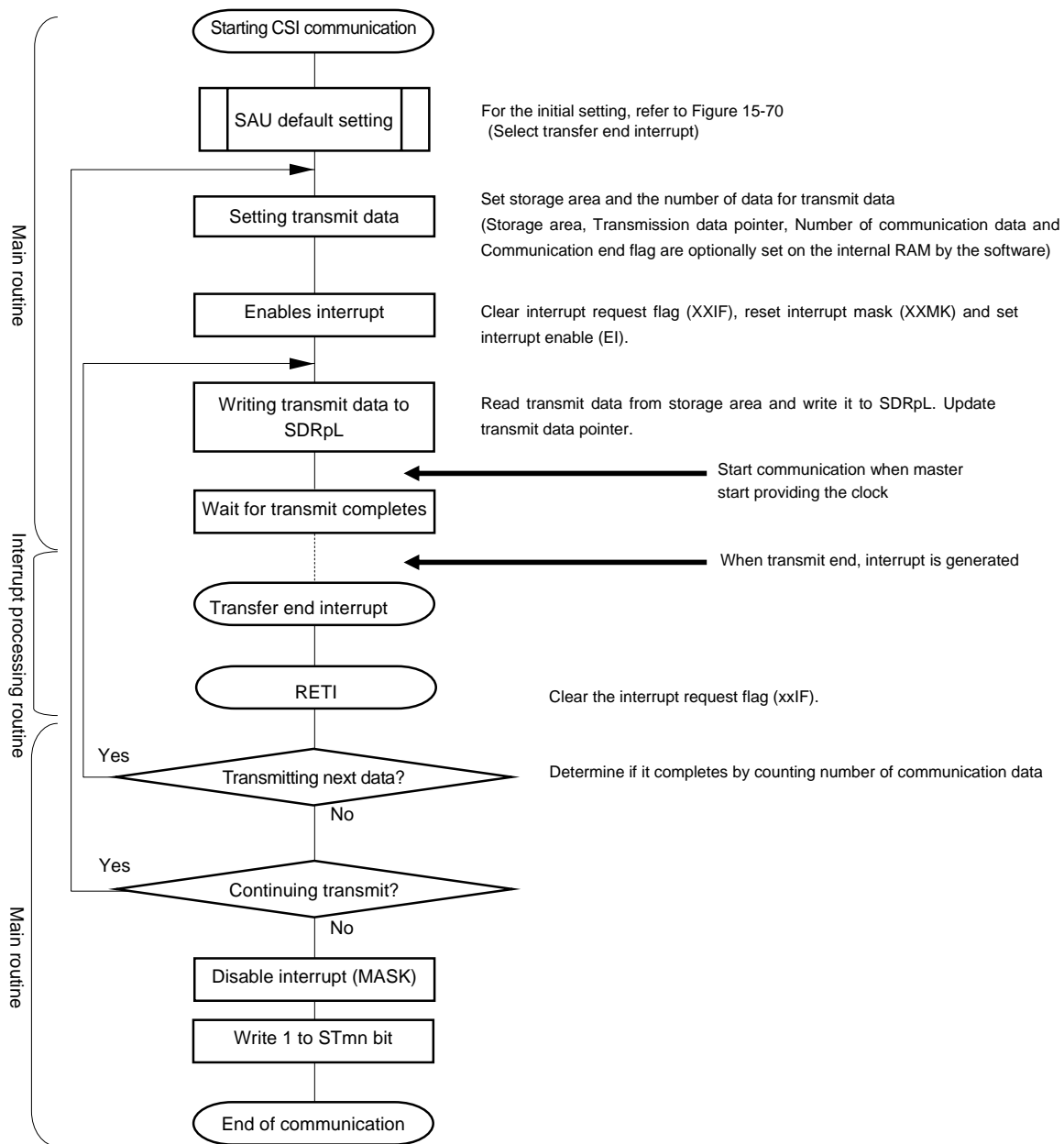
Remark m: Unit number (m = 0-2), n: Channel number (n = 0, 1), p: CSI number (p = 00, 01, 10, 11, 20, 21),
mn = 00, 01, 10, 11

Figure 15-75. Flowchart of Slave Transmission (in Single-Transmission Mode) (CSI00, CSI01, CSI10, CSI11)



Remark m: Unit number (m = 0, 1), n: Channel number (n = 0, 1), p: CSI number (p = 00, 01, 10, 11), mn = 00, 01, 10, 11

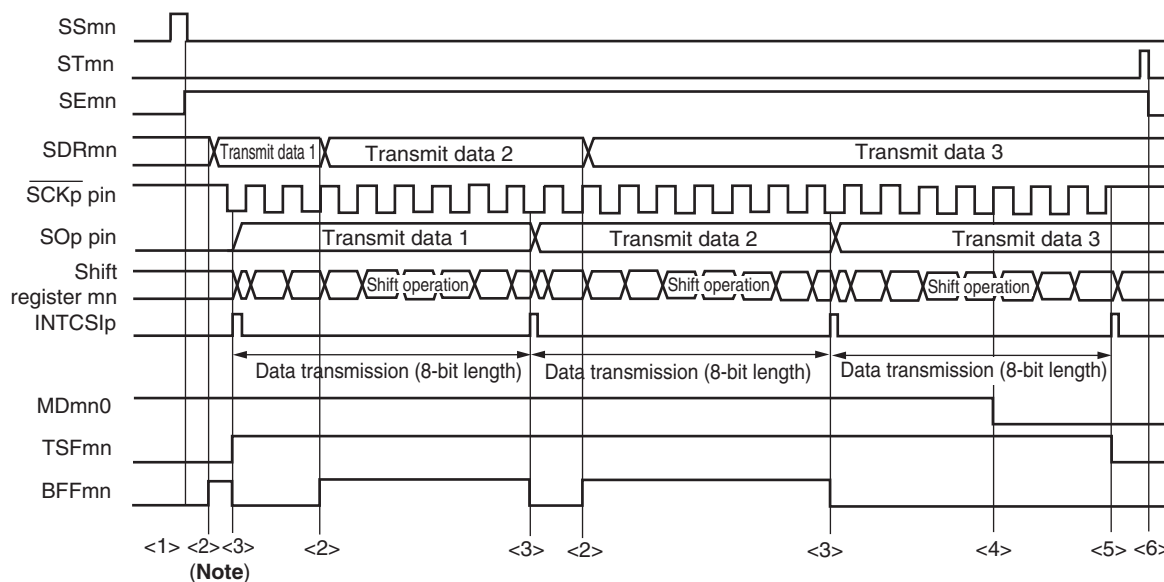
Figure 15-76. Flowchart of Slave Transmission (in Single-Transmission Mode) (CSI20, CSI21)



Remark m: Unit number (m = 2), n: Channel number (n = 0, 1), p: CSI number (n = 20, 21), mn = 20, 21

(4) Processing flow (in continuous transmission mode)

Figure 15-77. Timing Chart of Slave Transmission (in Continuous Transmission Mode)
(Type 1: DAPmn = 0, CKPmn = 0)

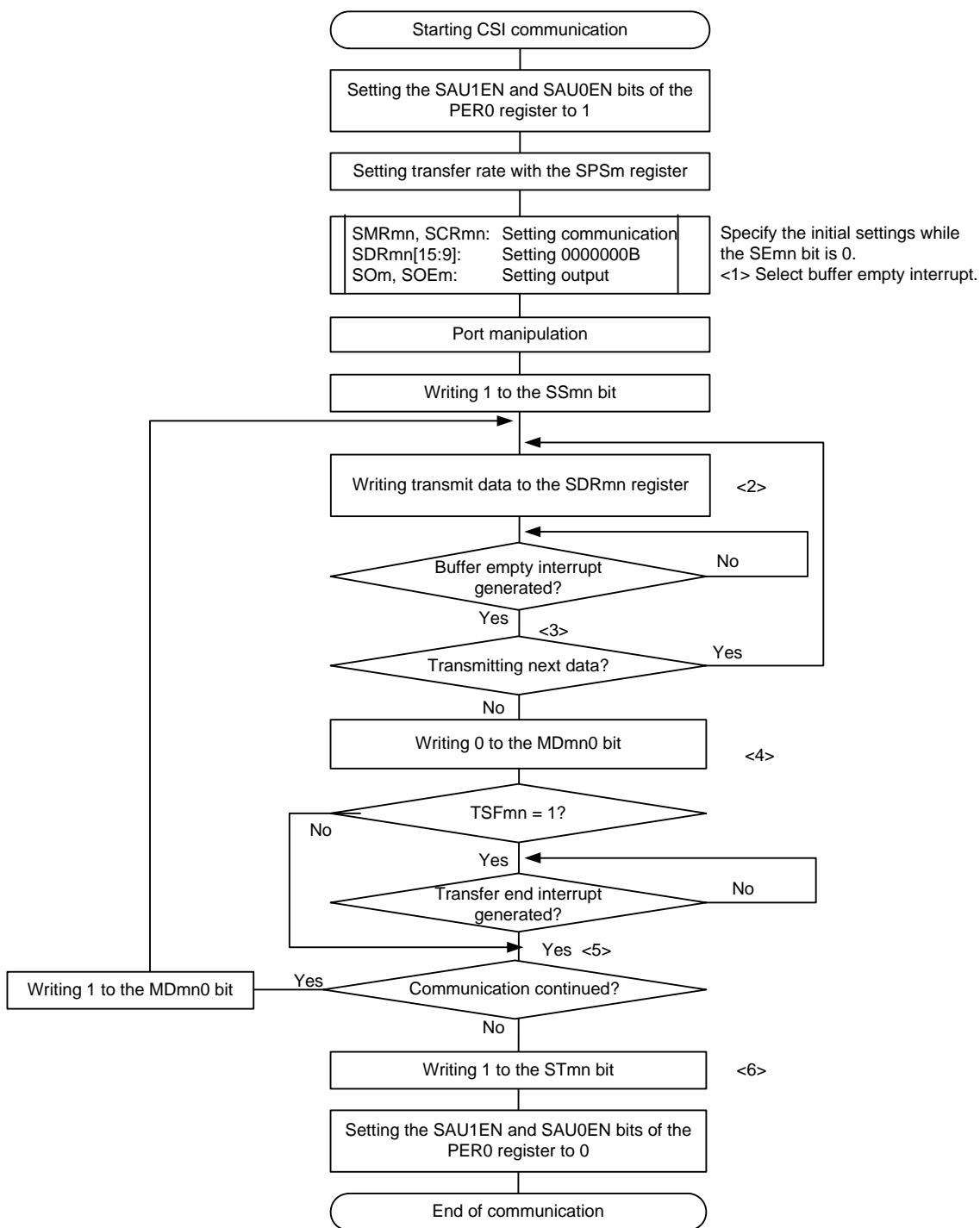


Note If transmit data is written to the SDRmn register while the BFFmn bit of serial status register mn (SSRmn) is 1 (valid data is stored in serial data register mn (SDRmn)), the transmit data is overwritten.

Caution The MDmn0 bit of serial mode register mn (SMRmn) can be rewritten even during operation. However, rewrite it before transfer of the last bit is started.

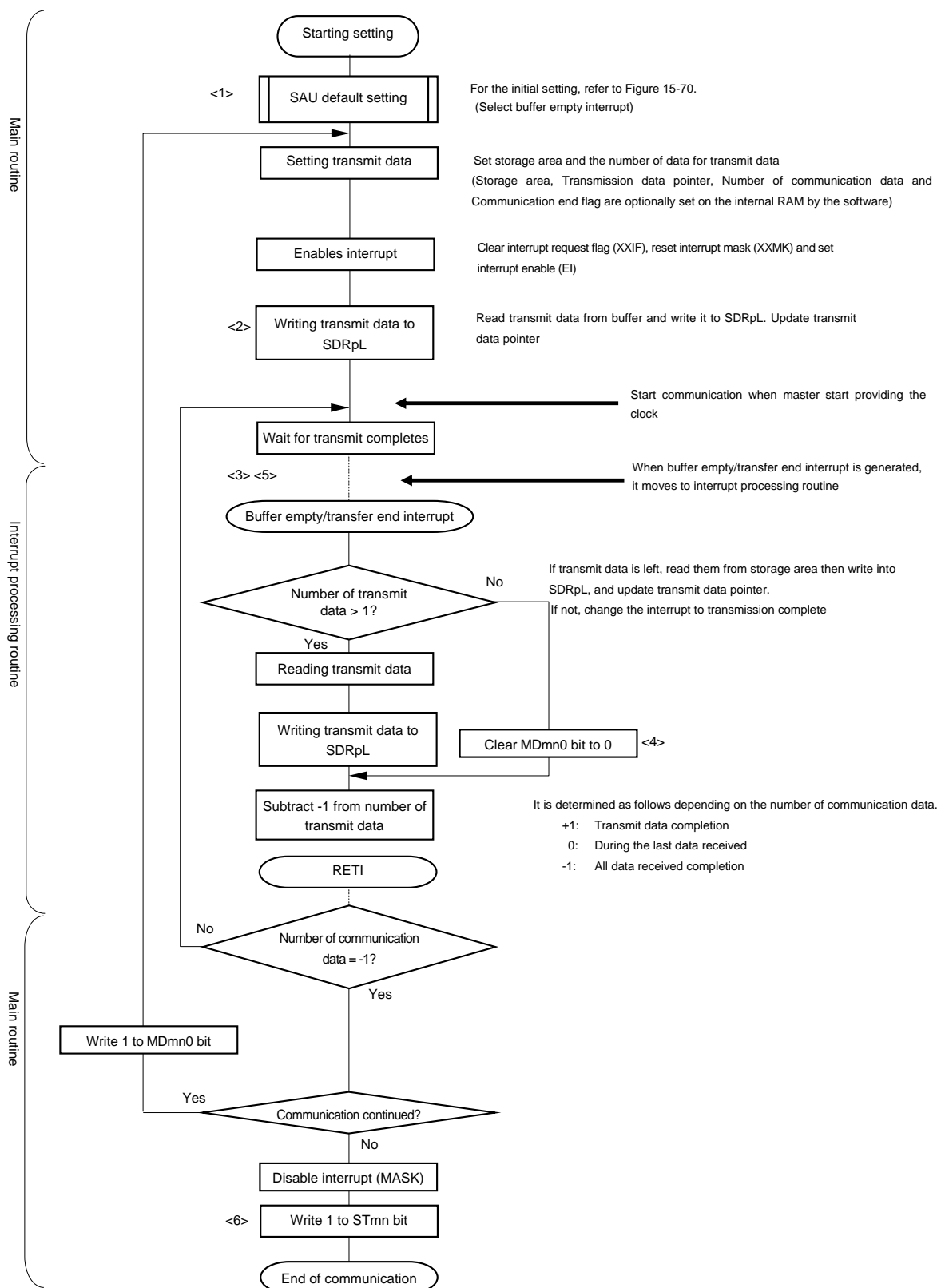
Remark m: Unit number (m = 0-2), n: Channel number (n = 0, 1), p: CSI number (p = 00, 01, 10, 11, 20, 21), mn = 00, 01, 10, 11

Figure 15-78. Flowchart of Slave Transmission (in Continuous Transmission Mode) (CSI00, CSI01, CSI10, CSI11)



- Remarks 1.** <1> to <6> in the figure correspond to <1> to <6> in **Figure 15-77 Timing Chart of Slave Transmission (in Continuous Transmission Mode).**
- 2.** m: Unit number (m = 0, 1), n: Channel number (n = 0, 1), p: CSI number (p = 00, 01, 10, 11), mn = 00, 01, 10, 11

Figure 15-79. Flowchart of Slave Transmission (in Continuous Transmission Mode) (CSI20, CSI21)



Remarks 1. <1> to <6> in the figure correspond to <1> to <6> in Figure 15-77 Timing Chart of Slave Transmission (in Continuous Transmission Mode).

2. m: Unit number (m = 2), n: Channel number (n = 0, 1), p: CSI number (n = 20, 21), mn = 20, 21

15.5.5 Slave reception

Slave reception is an operation wherein this MCU receives data from another device in the state of a transfer clock being input from another device.

3-Wire Serial I/O	CSI00	CSI01	CSI10	CSI11	CSI20	CSI21
Target channel	Channel 0 of SAU0	Channel 1 of SAU0	Channel 0 of SAU1	Channel 1 of SAU1	Channel 0 of SAU2	Channel 1 of SAU2
Pins used	$\overline{\text{SCK00}}$, SI00	$\overline{\text{SCK01}}$, SI01	$\overline{\text{SCK10}}$, SI10	$\overline{\text{SCK11}}$, SI11	$\overline{\text{SCK20}}$, SI20	$\overline{\text{SCK21}}$, SI21
Interrupt	INTCSI00	INTCSI01	INTCSI10	INTCSI11	INTCSI20	INTCSI21
	Transfer end interrupt only (Setting the buffer empty interrupt is prohibited.)					
Error detection flag	Overrun error detection flag (OVFmn) only					
Transfer data length	7 to 16 bits				7 and 8 bits	
Transfer rate	Max. $f_{\text{MCK}}/6$ [Hz] ^{Notes 1, 2}					
Data phase	Selectable by the DAPmn bit of the SCRmn register <ul style="list-style-type: none"> • DAPmn = 0: Data input starts from the start of the serial clock operation. • DAPmn = 1: Data input starts half a clock before the start of the serial clock operation. 					
Clock phase	Selectable by the CKPmn bit of the SCRmn register <ul style="list-style-type: none"> • CKPmn = 0: Forward • CKPmn = 1: Reverse 					
Data direction	MSB or LSB first					

Notes 1. Because the external serial clock input to the $\overline{\text{SCK00}}$, $\overline{\text{SCK01}}$, $\overline{\text{SCK10}}$, $\overline{\text{SCK11}}$, $\overline{\text{SCK20}}$, and $\overline{\text{SCK21}}$ pins is sampled internally and used, the fastest transfer rate is $f_{\text{MCK}}/6$ [Hz].

2. Use this operation within a range that satisfies the conditions above and the AC characteristics in the electrical specifications.

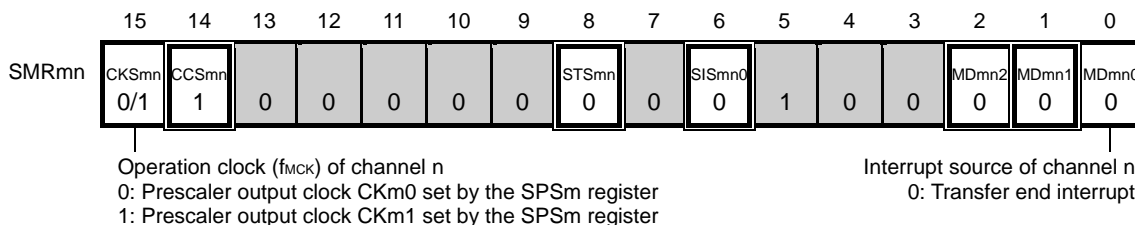
Remarks 1. f_{MCK} : Operation clock frequency of target channel

2. m: Unit number (m = 0-2), n: Channel number (n = 0, 1), mn = 00, 01, 10, 11, 20, 21

(1) Register setting

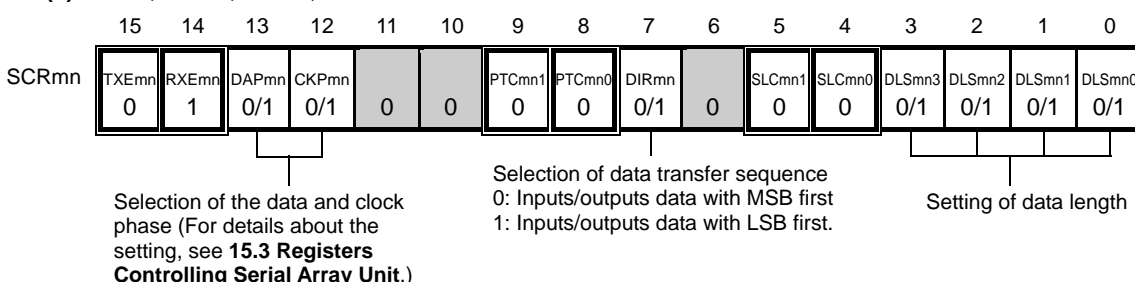
Figure 15-80. Example of Contents of Registers for Slave Reception of 3-Wire Serial I/O (CSI00, CSI01, CSI10, CSI11, CSI20, CSI21) (1/2)

(a) Serial mode register mn (SMRmn)

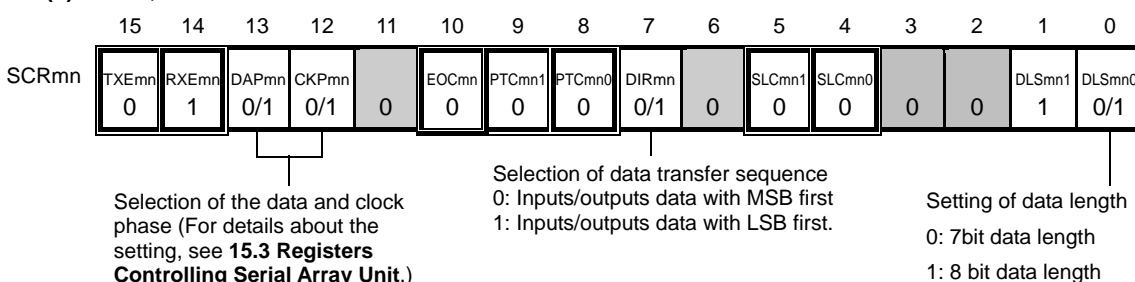


(b) Serial communication operation setting register mn (SCRmn)

(1) CSI00, CSI01, CSI10, CSI11

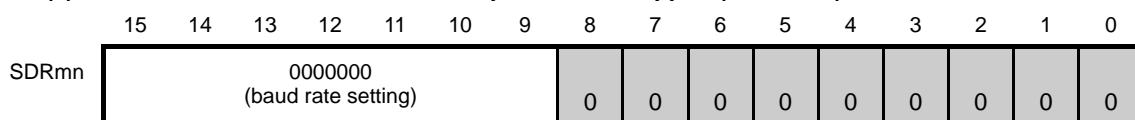


(2) CSI20, CSI21

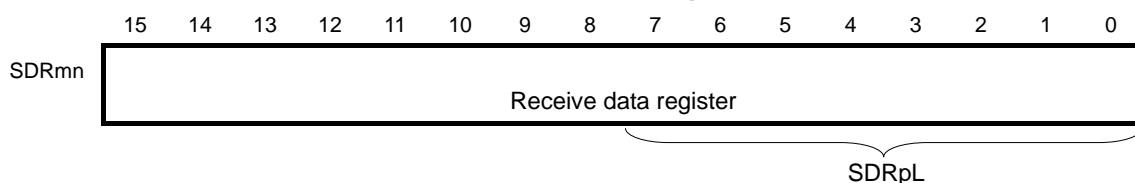


(c) Serial data register mn (SDRmn)

(1) CSI00, CSI01, CSI10, CSI11: When operation is stopped ($SEmn = 0$)

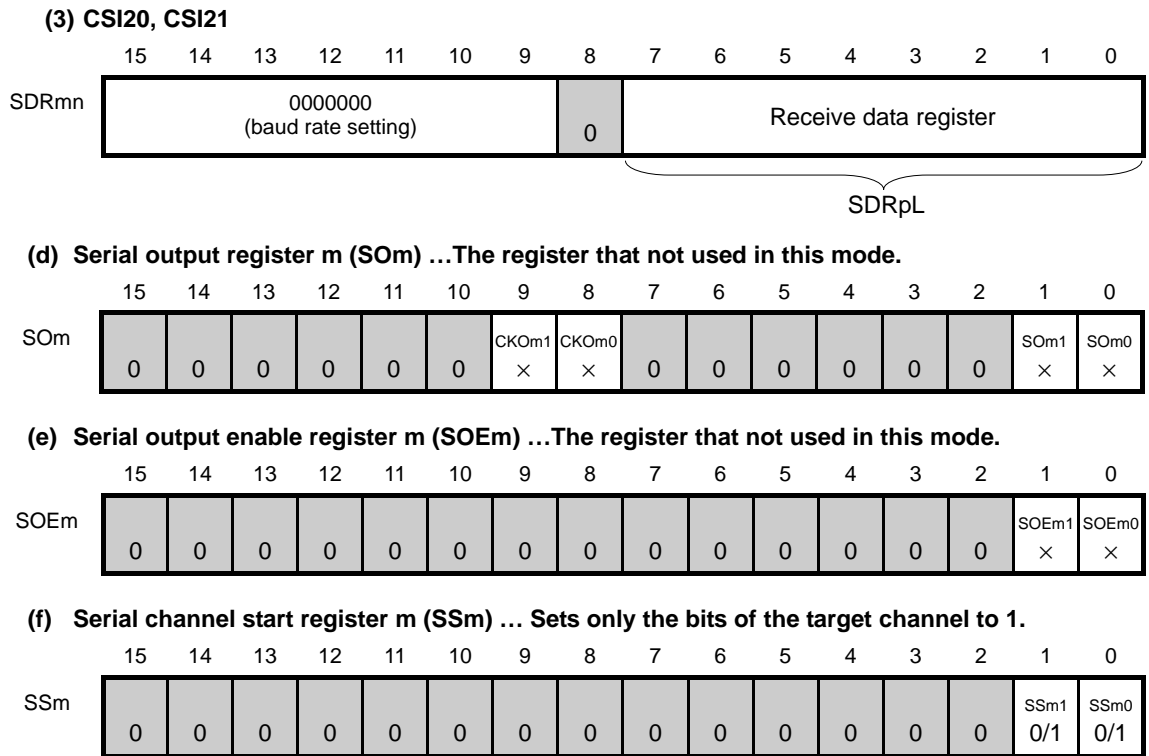


(2) CSI00, CSI01, CSI10, CSI11: When operation is in progress ($SEmn = 1$) (Lower 8 bits: SDRpL)



- Remarks**
- m: Unit number (m = 0-2), n: Channel number (n = 0, 1), p: CSI number (p = 00, 01, 10, 11, 20, 21), mn = 00, 01, 10, 11, 20, 21
 - : Setting is fixed in the CSI slave reception mode, ■: Setting disabled (set to the initial value)
 ×: Bit that cannot be used in this mode (set to the initial value when not used in any mode)
 0/1: Set to 0 or 1 depending on the usage of the user

Figure 15-80. Example of Contents of Registers for Slave Reception of 3-Wire Serial I/O (CSI00, CSI01, CSI10, CSI11, CSI20, CSI21) (2/2)



- Remarks 1.** m: Unit number (m = 0-2), n: Channel number (n = 0, 1), p: CSI number (p = 00, 01, 10, 11, 20, 21), mn = 00, 01, 10, 11, 20, 21
- 2.** □: Setting is fixed in the CSI slave reception mode, ■: Setting disabled (set to the initial value)
 ×: Bit that cannot be used in this mode (set to the initial value when not used in any mode)
 0/1: Set to 0 or 1 depending on the usage of the user

(2) Operation procedure

Figure 15-81. Initial Setting Procedure for Slave Reception (CSI00, CSI01, CSI10, CSI11)

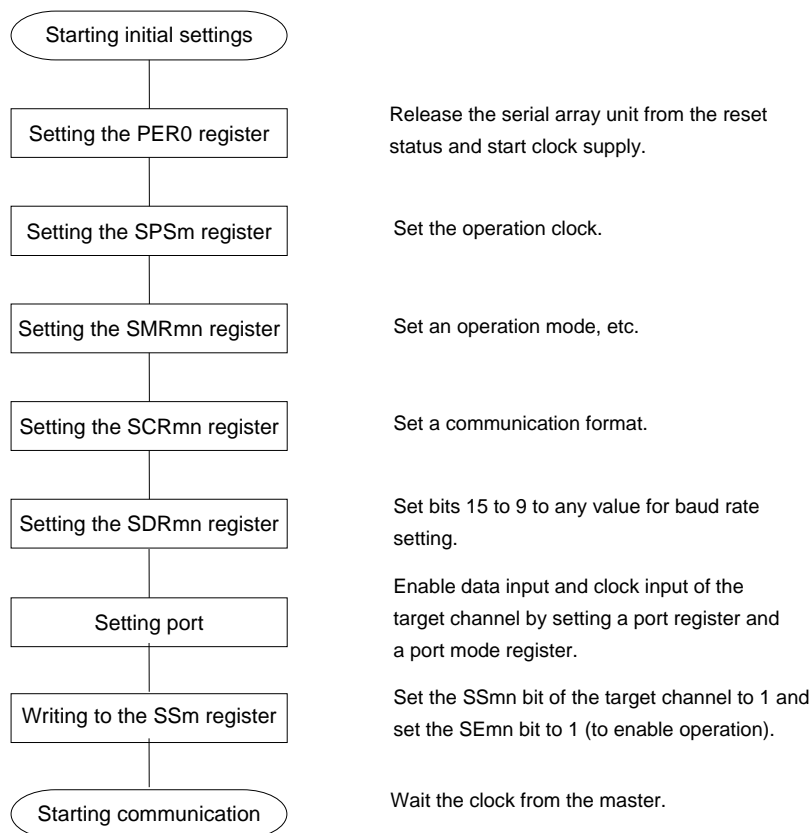
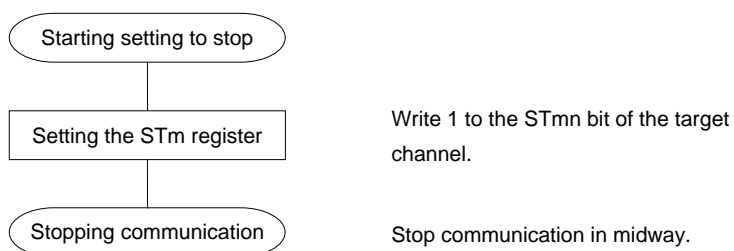


Figure 15-82. Procedure for Stopping Slave Reception (CSI00, CSI01, CSI10, CSI11)



Remark m: Unit number (m = 0, 1), n: Channel number (n = 0, 1), p: CSI number (p = 00, 01, 10, 11), mn = 00, 01, 10, 11

Figure 15-83. Initial Setting Procedure for Slave Reception (CSI20, CSI21)

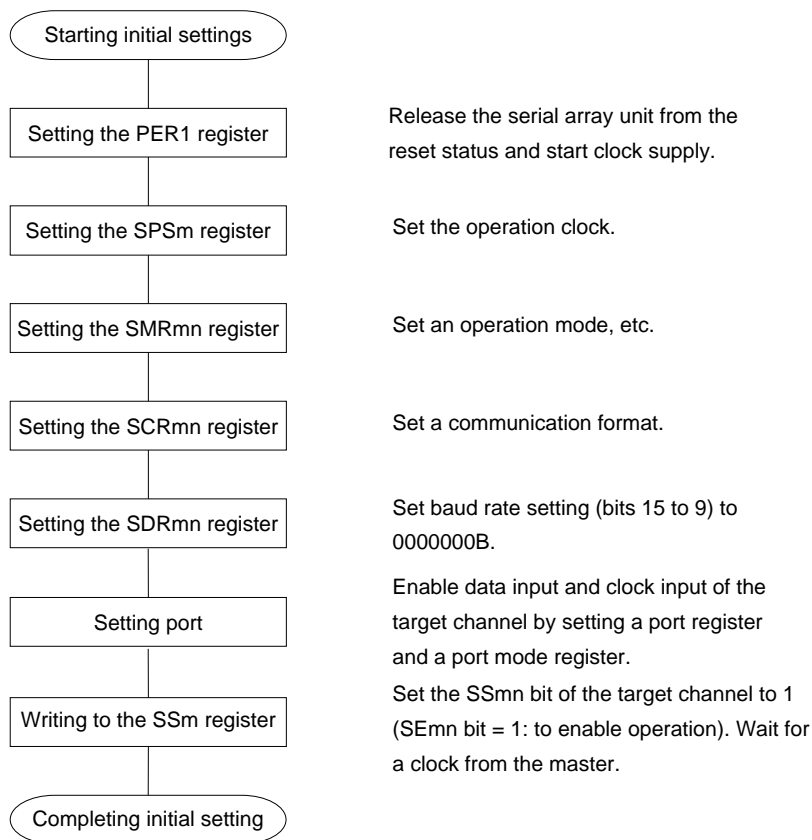
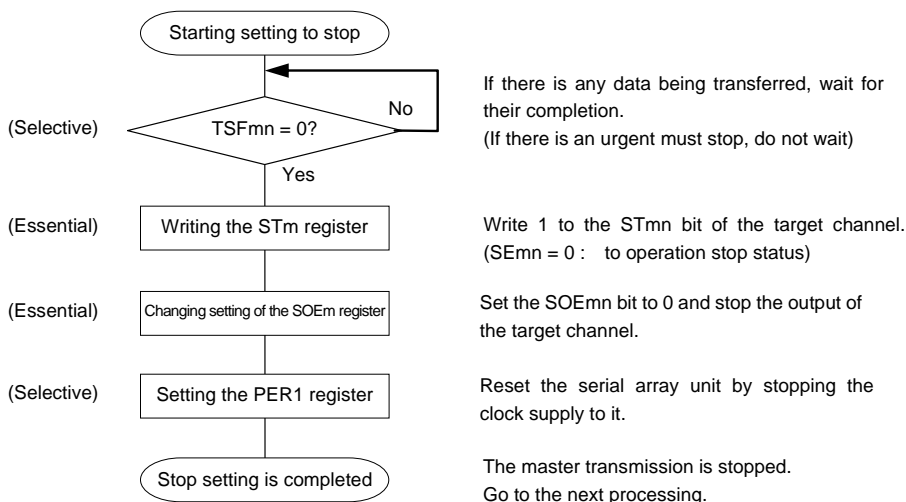
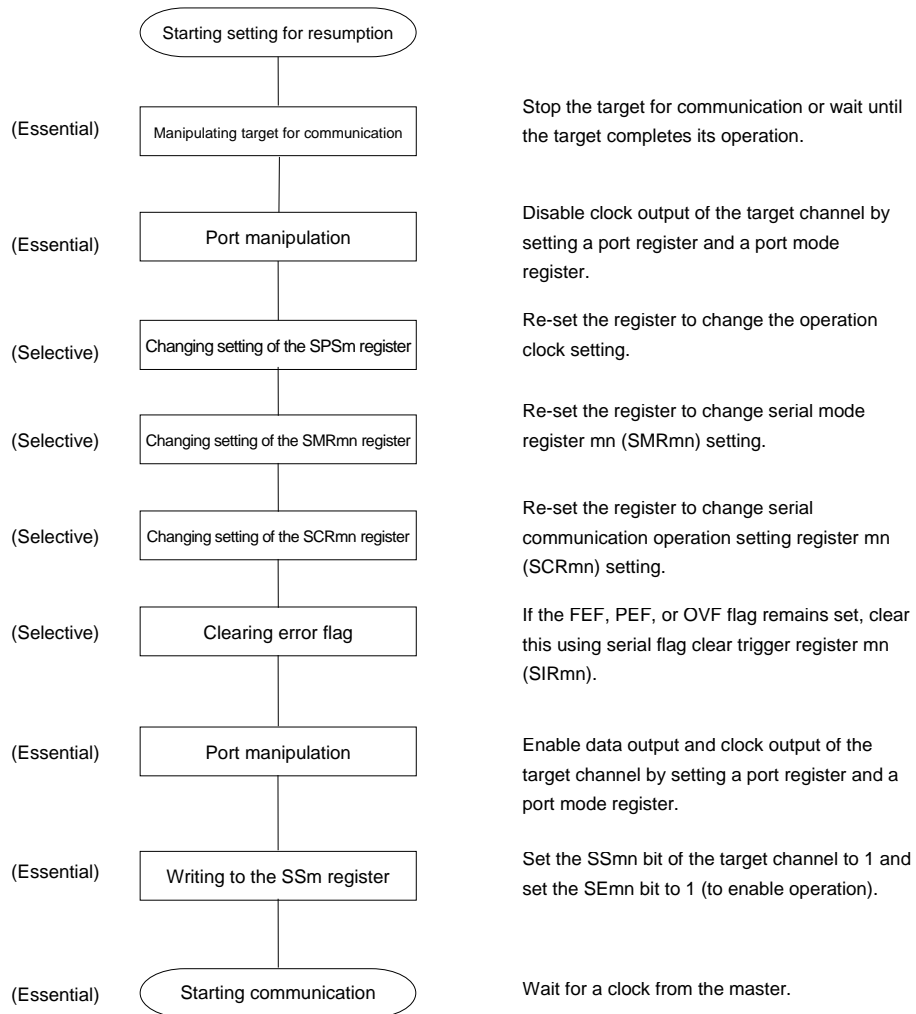


Figure 15-84. Procedure for Stopping Slave Reception (CSI20, CSI21)



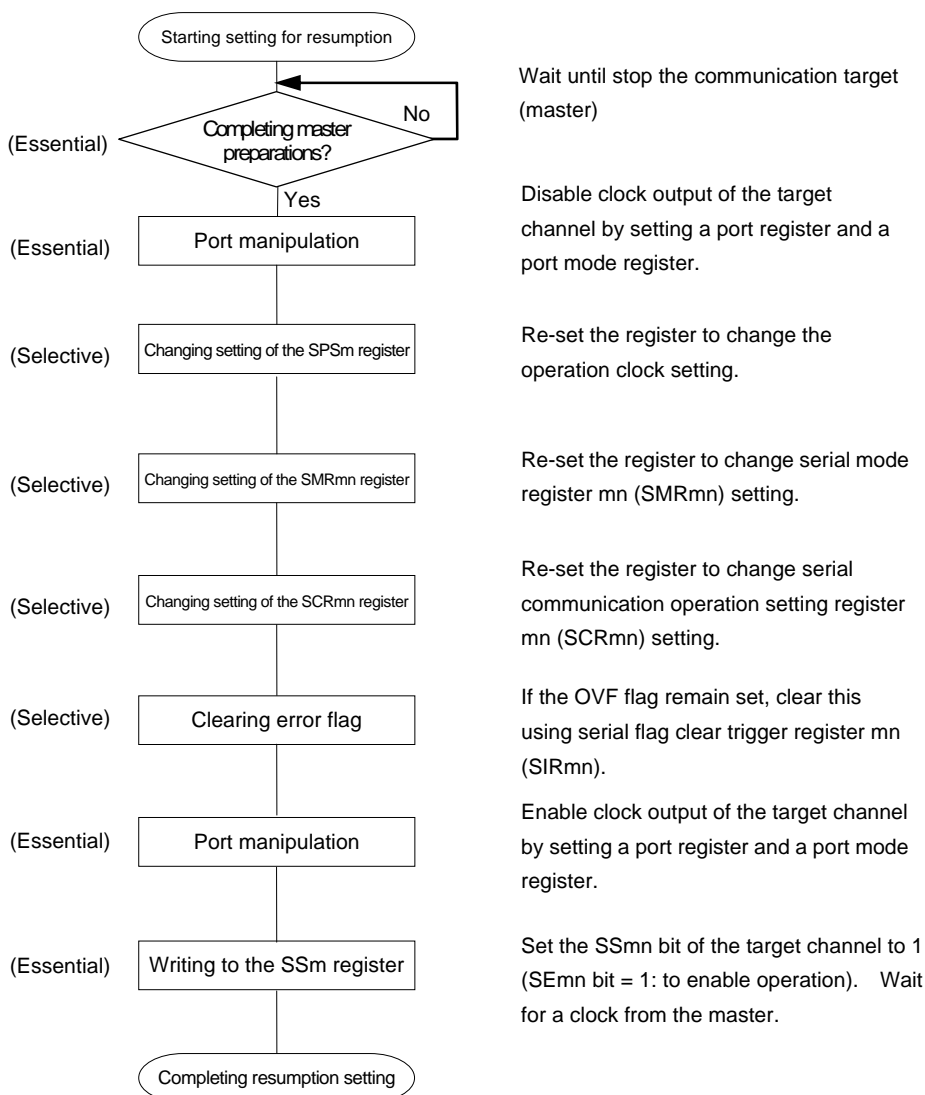
Remark m: Unit number (m = 2), n: Channel number (n = 0, 1), p: CSI number (n = 20, 21), mn = 20, 21

Figure 15-85. Procedure for Resuming Slave Reception (CSI00, CSI01, CSI10, CSI11)



Remark m: Unit number (m = 0, 1), n: Channel number (n = 0, 1), p: CSI number (p = 00, 01, 10, 11), mn = 00, 01, 10, 11

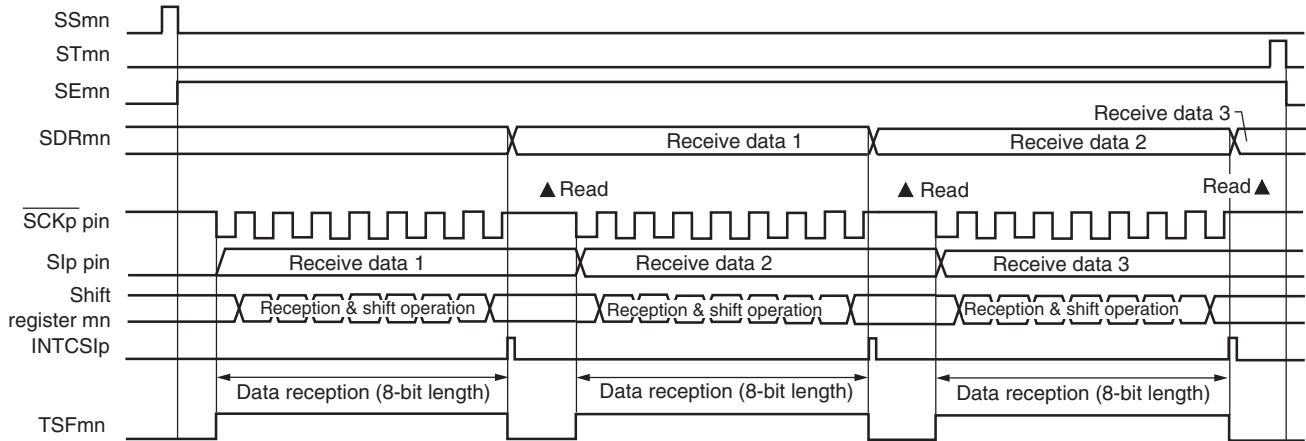
Figure 15-86. Procedure for Resuming Slave Reception (CSI20, CSI21)



- Remarks 1.** If PER1 is rewritten while stopping the master transmission and the clock supply is stopped, wait until the transmission target (master) stops or transmission finishes, and then perform initialization instead of restarting the transmission.
- 2.** m: Unit number (m = 2), n: Channel number (n = 0, 1), p: CSI number (n = 20, 21), mn = 20, 21

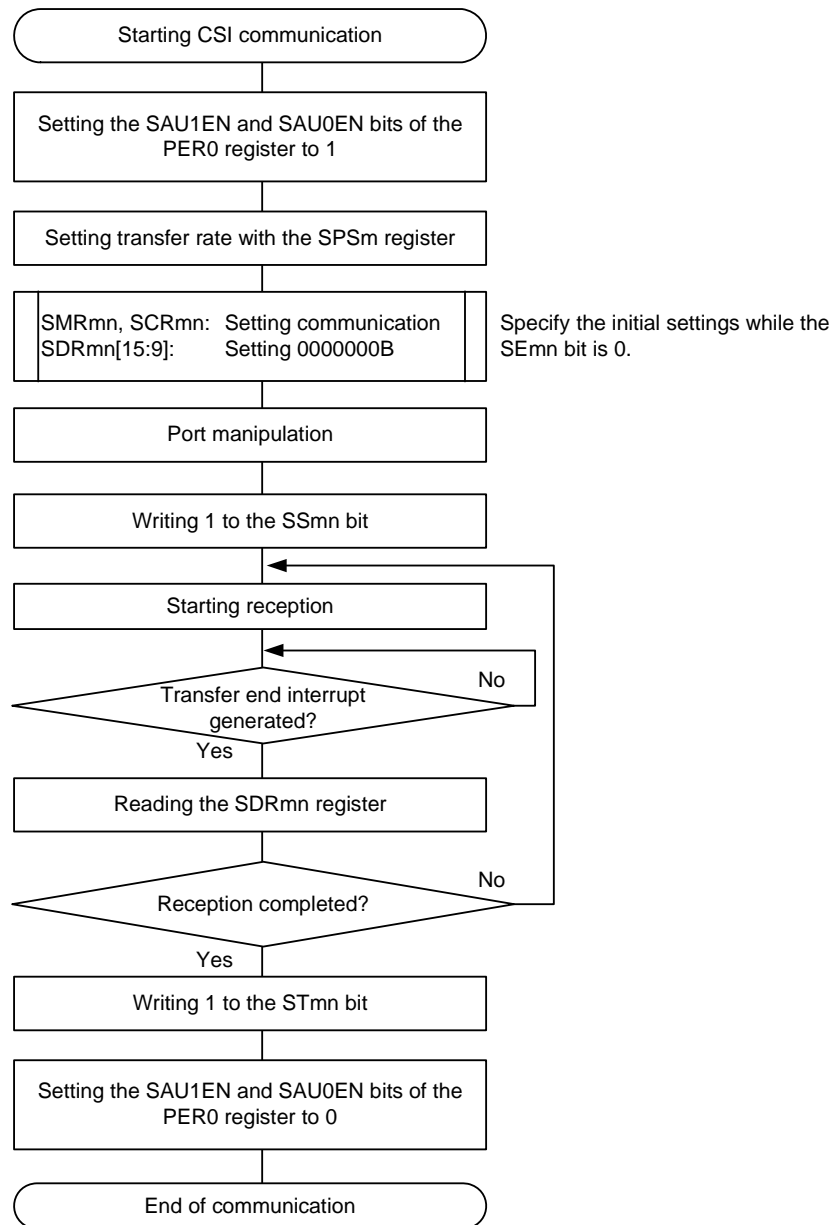
(3) Processing flow (in single-reception mode)

Figure 15-87. Timing Chart of Slave Reception (in Single-Reception Mode)
(Type 1: DAPmn = 0, CKPmn = 0)



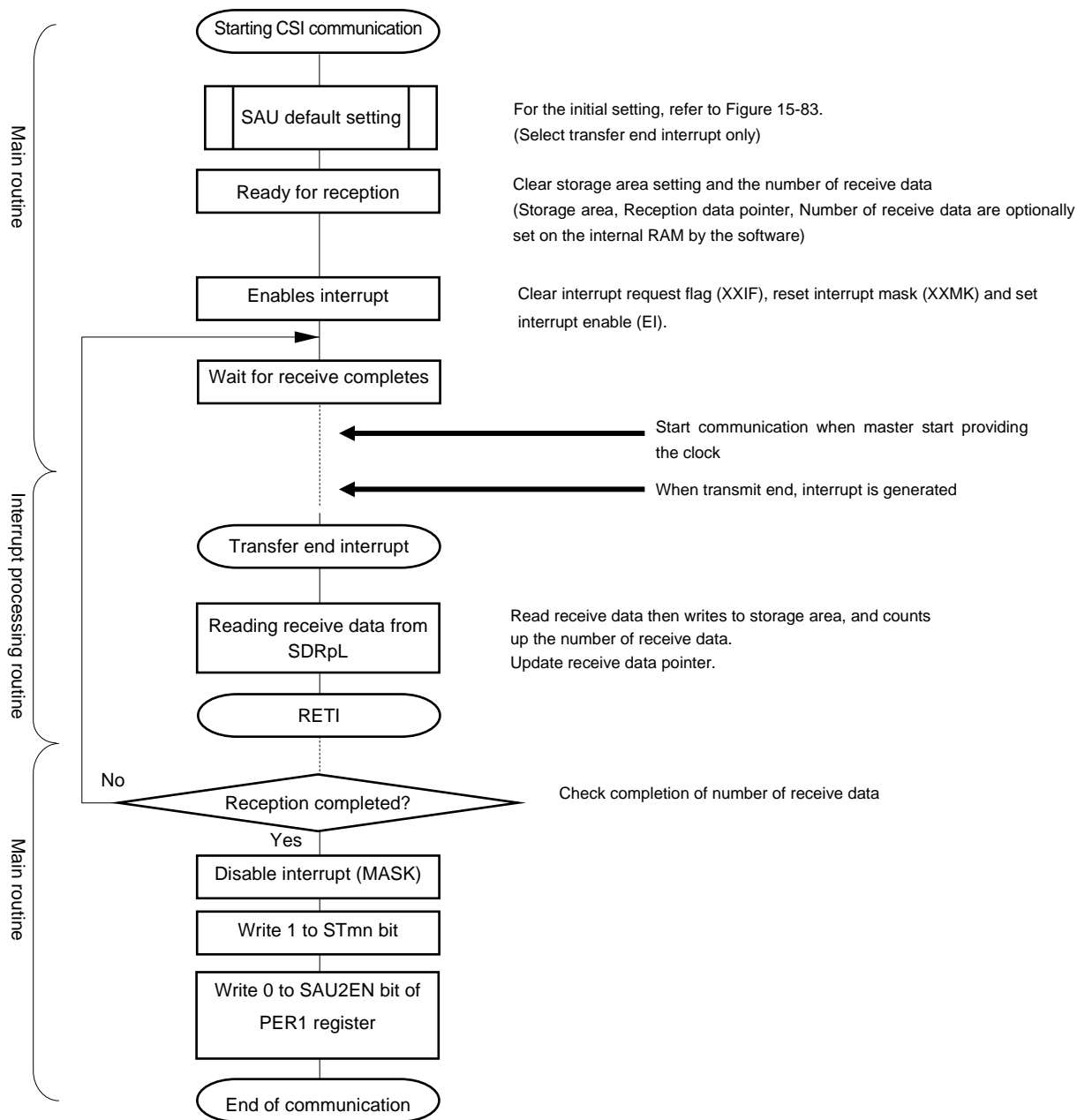
Remark m: Unit number (m = 0-2), n: Channel number (n = 0, 1), p: CSI number (p = 00, 01, 10, 11, 20, 21),
mn = 00, 01, 10, 11, 20, 21

Figure 15-88. Flowchart of Slave Reception (in Single-Reception Mode) (CSI00, CSI01, CSI10, CSI11)



Remark m: Unit number (m = 0, 1), n: Channel number (n = 0, 1), mn = 00, 01, 10, 11

Figure 15-89. Flowchart of Slave Reception (in Single-Reception Mode) (CSI20, CSI21)



Remark m: Unit number (m = 2), n: Channel number (n = 0, 1), p: CSI number (n = 20, 21), mn = 20, 21

15.5.6 Slave transmission/reception

Slave transmission/reception is an operation wherein this MCU transmits/receives data to/from another device in the state of a transfer clock being input from another device.

3-Wire Serial I/O	CSI00	CSI01	CSI10	CSI11	CSI20	CSI21
Target channel	Channel 0 of SAU0	Channel 1 of SAU0	Channel 0 of SAU1	Channel 1 of SAU1	Channel 0 of SAU2	Channel 1 of SAU2
Pins used	$\overline{\text{SCK00}}$, SI00, SO00	$\overline{\text{SCK01}}$, SI01, SO01	$\overline{\text{SCK10}}$, SI10, SO10	$\overline{\text{SCK11}}$, SI11, SO11	$\overline{\text{SCK20}}$, SI20, SO20	$\overline{\text{SCK21}}$, SI21, SO21
Interrupt	INTCSI00	INTCSI01	INTCSI10	INTCSI11	INTCSI20	INTCSI21
	Transfer end interrupt (in single-transfer mode) or buffer empty interrupt (in continuous transfer mode) can be selected.					
Error detection flag	Overrun error detection flag (OVFmn) only					
Transfer data length	7 to 16 bits				7 and 8 bits	
Transfer rate	Max. $f_{\text{MCK}}/6$ [Hz] ^{Notes 1, 2} .					
Data phase	Selectable by the DAPmn bit of the SCRmn register <ul style="list-style-type: none"> • DAPmn = 0: Data I/O starts from the start of the serial clock operation. • DAPmn = 1: Data I/O starts half a clock before the start of the serial clock operation. 					
Clock phase	Selectable by the CKPmn bit of the SCRmn register <ul style="list-style-type: none"> • CKPmn = 0: Forward • CKPmn = 1: Reverse 					
Data direction	MSB or LSB first					

Notes 1. Because the external serial clock input to the $\overline{\text{SCK00}}$, $\overline{\text{SCK01}}$, $\overline{\text{SCK10}}$, $\overline{\text{SCK11}}$, $\overline{\text{SCK20}}$ and $\overline{\text{SCK21}}$ pins is sampled internally and used, the fastest transfer rate is $f_{\text{MCK}}/6$ [Hz].

2. Use this operation within a range that satisfies the conditions above and the AC characteristics in the electrical specifications.

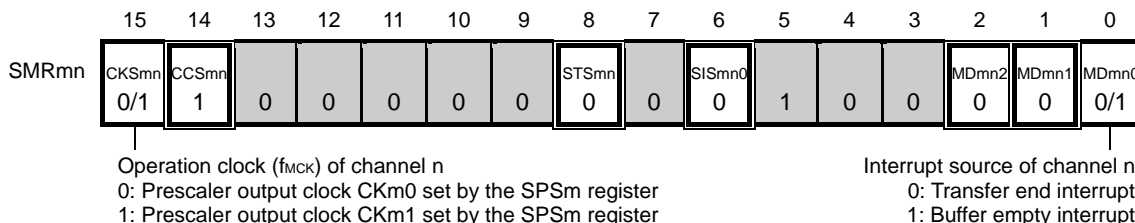
Remarks 1. f_{MCK} : Operation clock frequency of target channel

2. m: Unit number (m = 0-2), n: Channel number (n = 0, 1), mn = 00, 01, 10, 11, 20, 21

(1) Register setting

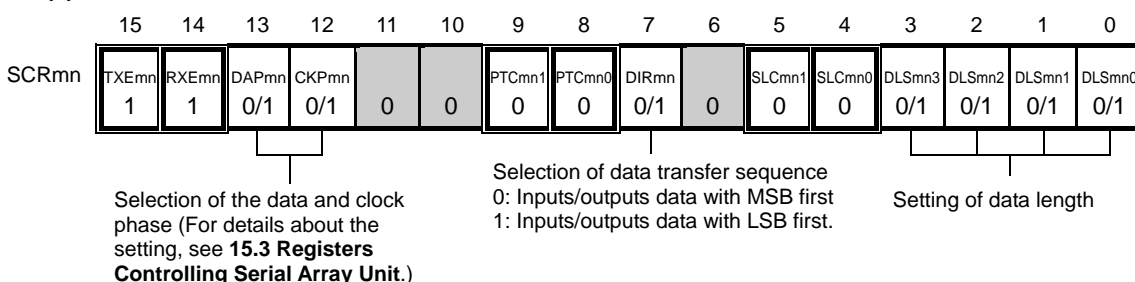
Figure 15-90. Example of Contents of Registers for Slave Transmission/Reception of 3-Wire Serial I/O (CSI00, CSI01, CSI10, CSI11, CSI20, CSI21) (1/2)

(a) Serial mode register mn (SMRmn)

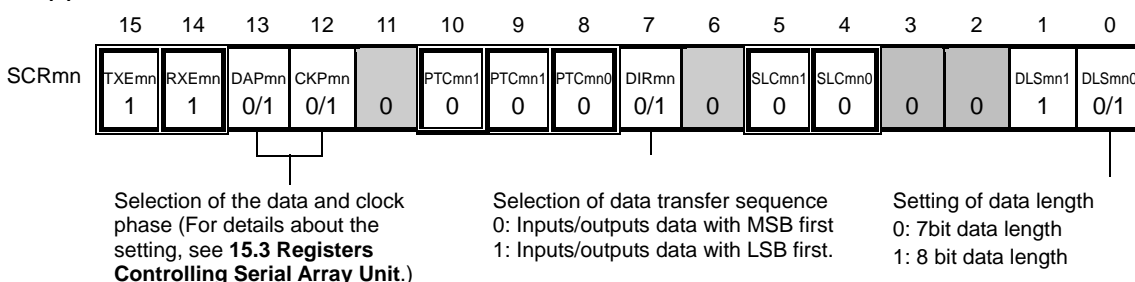


(b) Serial communication operation setting register mn (SCRmn)

(1) CSI00, CSI01, CSI10, CSI11

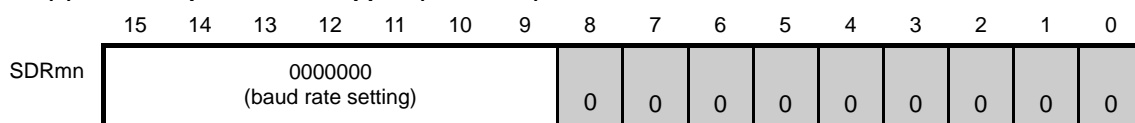


(2) CSI20, CSI21

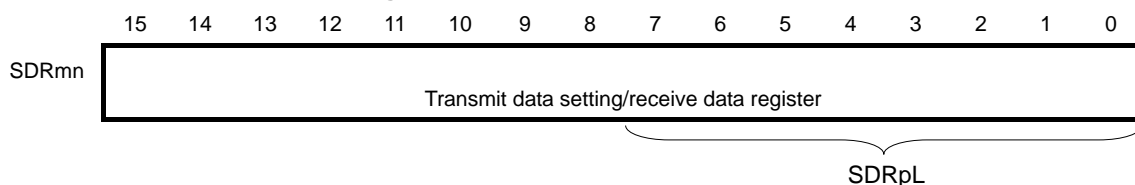


(c) Serial data register mn (SDRmn)

(1) When operation is stopped (SEmn = 0)



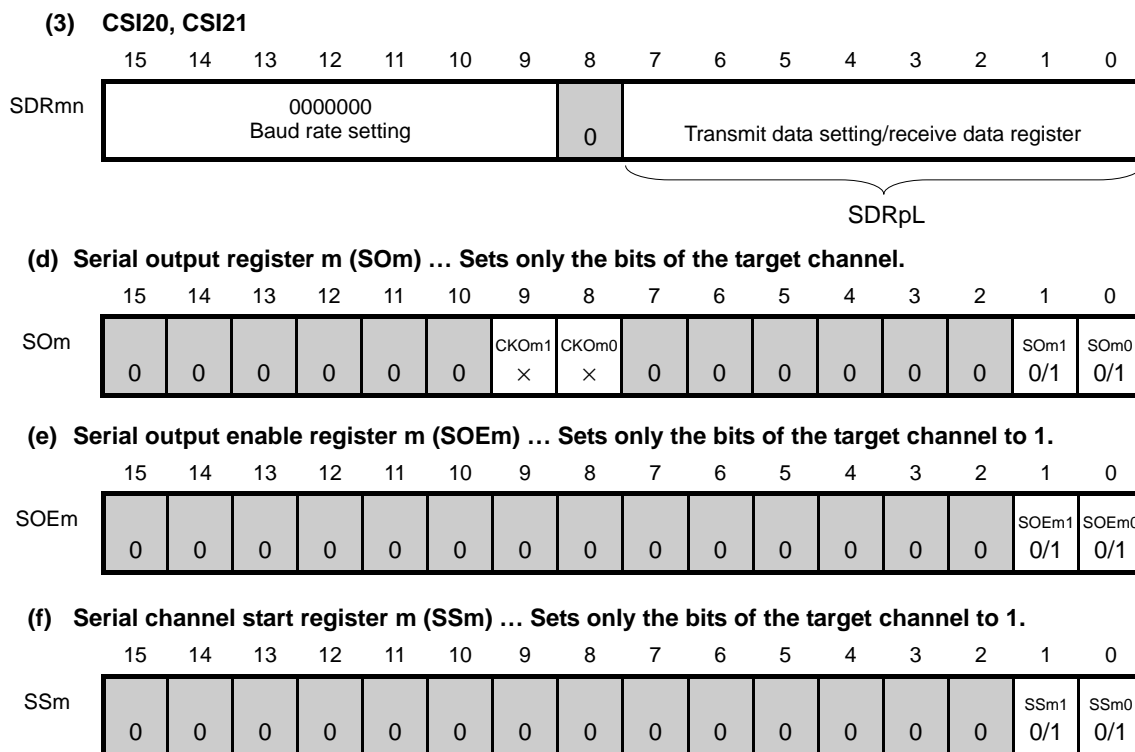
(2) When operation is in progress (SEmn = 1) (Lower 8 bits: SDRpL)



Caution Be sure to set transmit data to the SDRpL register before the clock from the master is started.

- Remarks**
- m: Unit number (m = 0-2), n: Channel number (n = 0, 1), p: CSI number (p = 00, 01, 10, 11, 20, 21), mn = 00, 01, 10, 11, 20, 21
 - | | |
|-----|---|
| | : Setting is fixed in the CSI slave transmission/reception mode |
| | : Setting disabled (set to the initial value) |
| × | : Bit that cannot be used in this mode (set to the initial value when not used in any mode) |
| 0/1 | : Set to 0 or 1 depending on the usage of the user |

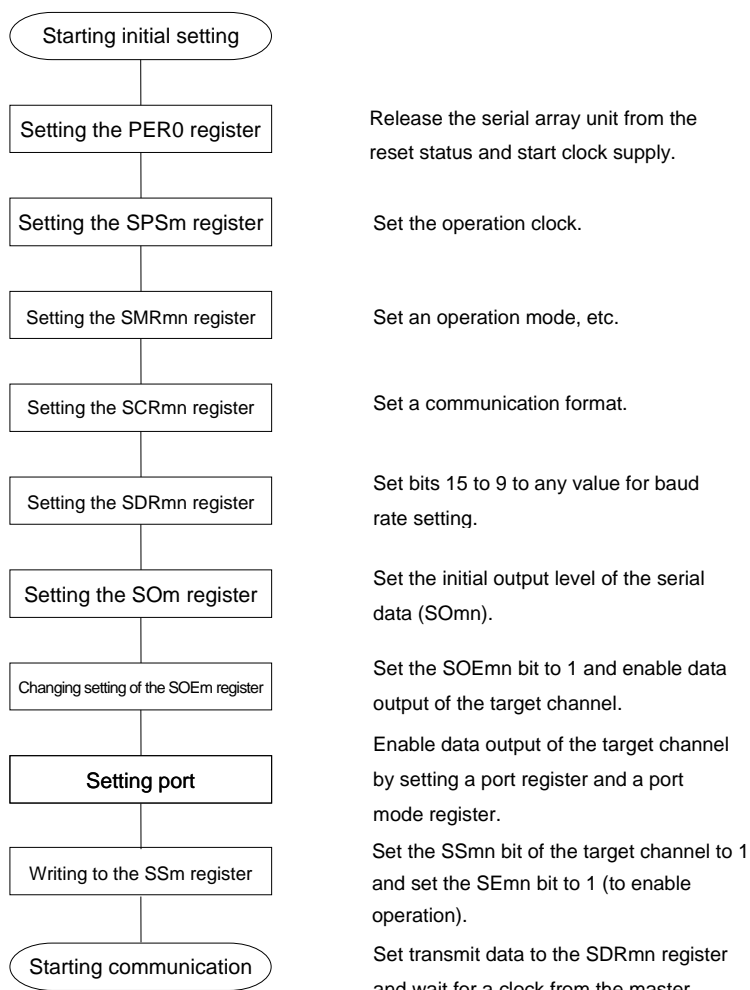
Figure 15-90. Example of Contents of Registers for Slave Transmission/Reception of 3-Wire Serial I/O (CSI00, CSI01, CSI10, CSI11, CSI20, CSI21) (2/2)



- Remarks 1.** m: Unit number (m = 0-2), n: Channel number (n = 0, 1), p: CSI number (p = 00, 01, 10, 11, 20, 21), mn = 00, 01, 10, 11, 20, 21
- 2.** : Setting is fixed in the CSI slave transmission/reception mode
: Setting disabled (set to the initial value)
 ×: Bit that cannot be used in this mode (set to the initial value when not used in any mode)
 0/1: Set to 0 or 1 depending on the usage of the user

(2) Operation procedure

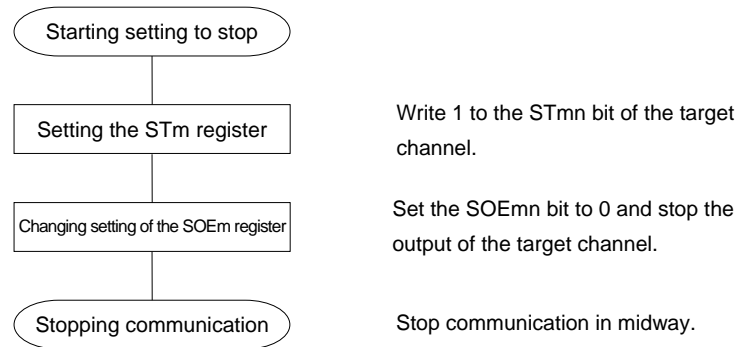
Figure 15-91. Initial Setting Procedure for Slave Transmission/Reception (CSI00, CSI01, CSI10, CSI11)



Caution Be sure to set transmit data to the SDRpL register before the clock from the master is started.

Remark m: Unit number (m = 0, 1), n: Channel number (n = 0, 1), p: CSI number (p = 00, 01, 10, 11), mn = 00, 01, 10, 11

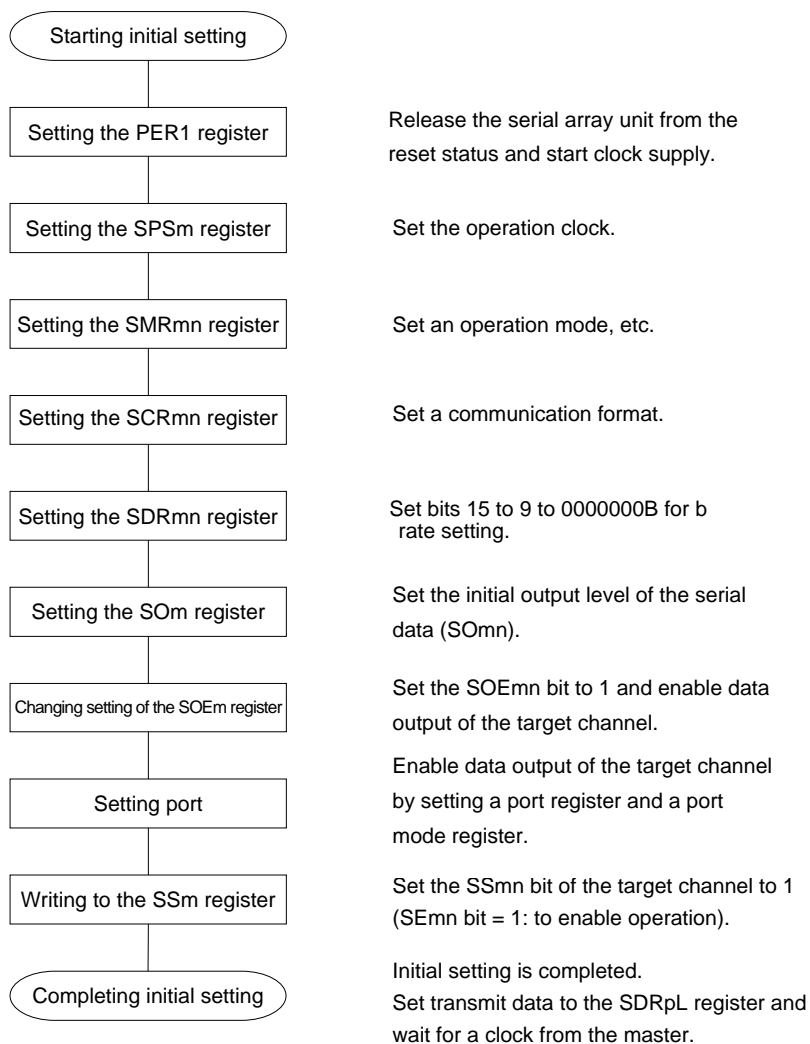
Figure 15-92. Procedure for Stopping Slave Transmission/Reception (CSI00, CSI01, CSI10, CSI11)



Remarks 1. Even after communication is stopped, the pin level is retained. To resume the operation, re-set serial output register m (SOM) (see **Figure 15-95 Procedure for Resuming Slave Transmission/Reception**).

- 2.** m: Unit number (m = 0, 1), n: Channel number (n = 0, 1), p: CSI number (p = 00, 01, 10, 11), mn = 00, 01, 10, 11

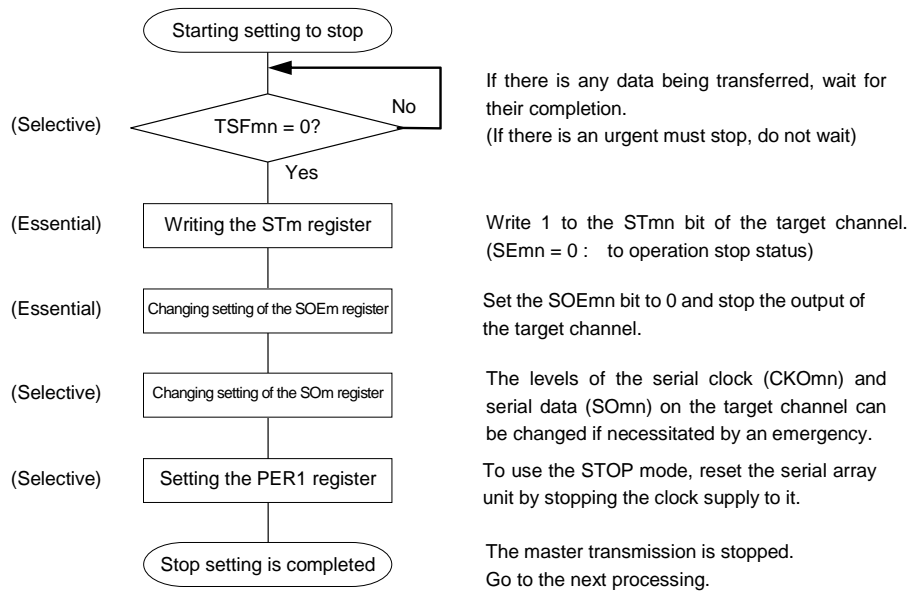
Figure 15-93. Initial Setting Procedure for Slave Transmission/Reception (CSI20, CSI21)



Caution Be sure to set transmit data to the SDRpL register before the clock from the master is started.

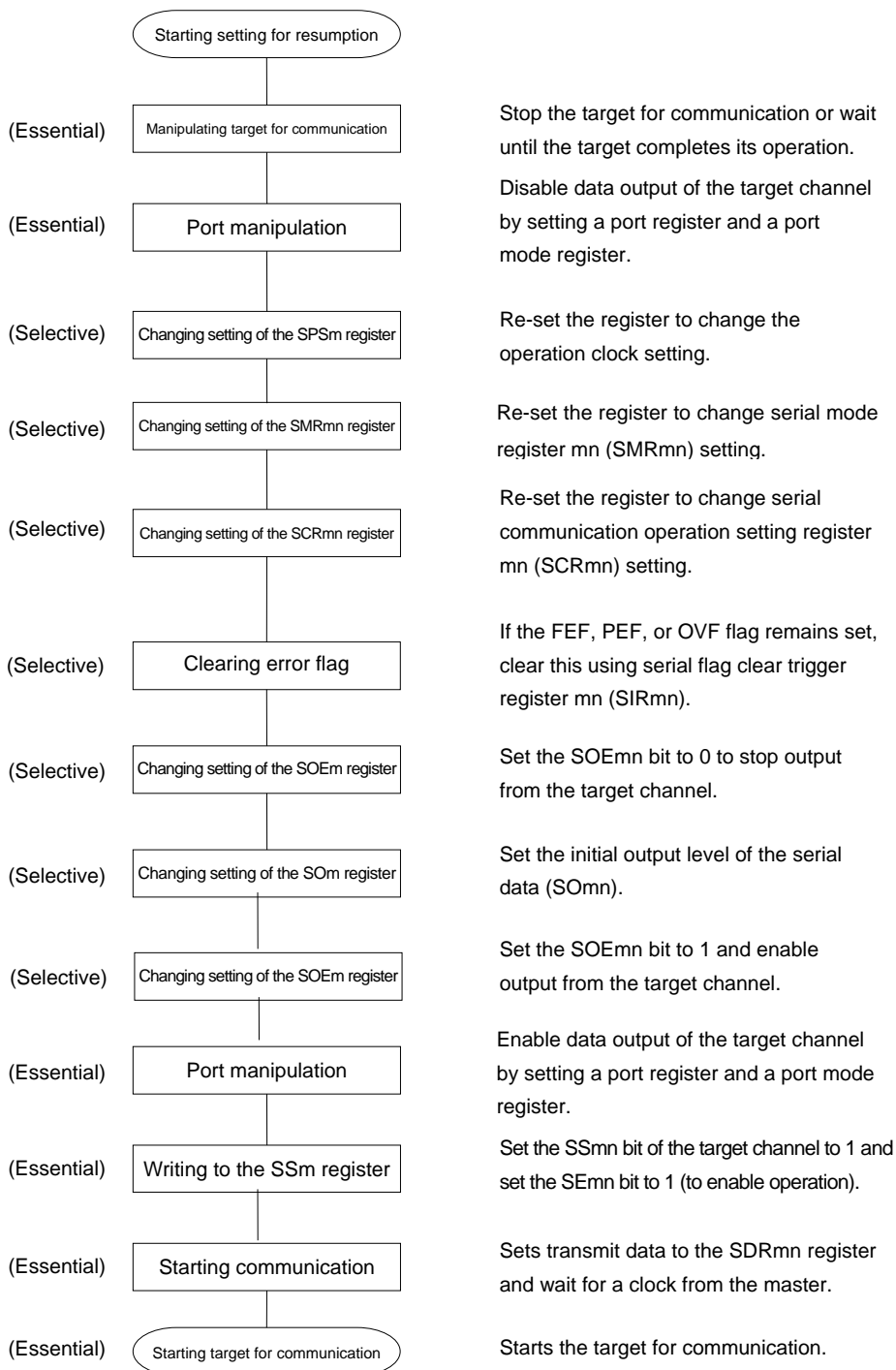
Remark m: Unit number (m = 2), n: Channel number (n = 0, 1), p: CSI number (n = 20, 21), mn = 20, 21

Figure 15-94. Procedure for Stopping Slave Transmission/Reception (CSI20, CSI21)



Remark m: Unit number (m = 2), n: Channel number (n = 0, 1), p: CSI number (n = 20, 21), mn = 20, 21

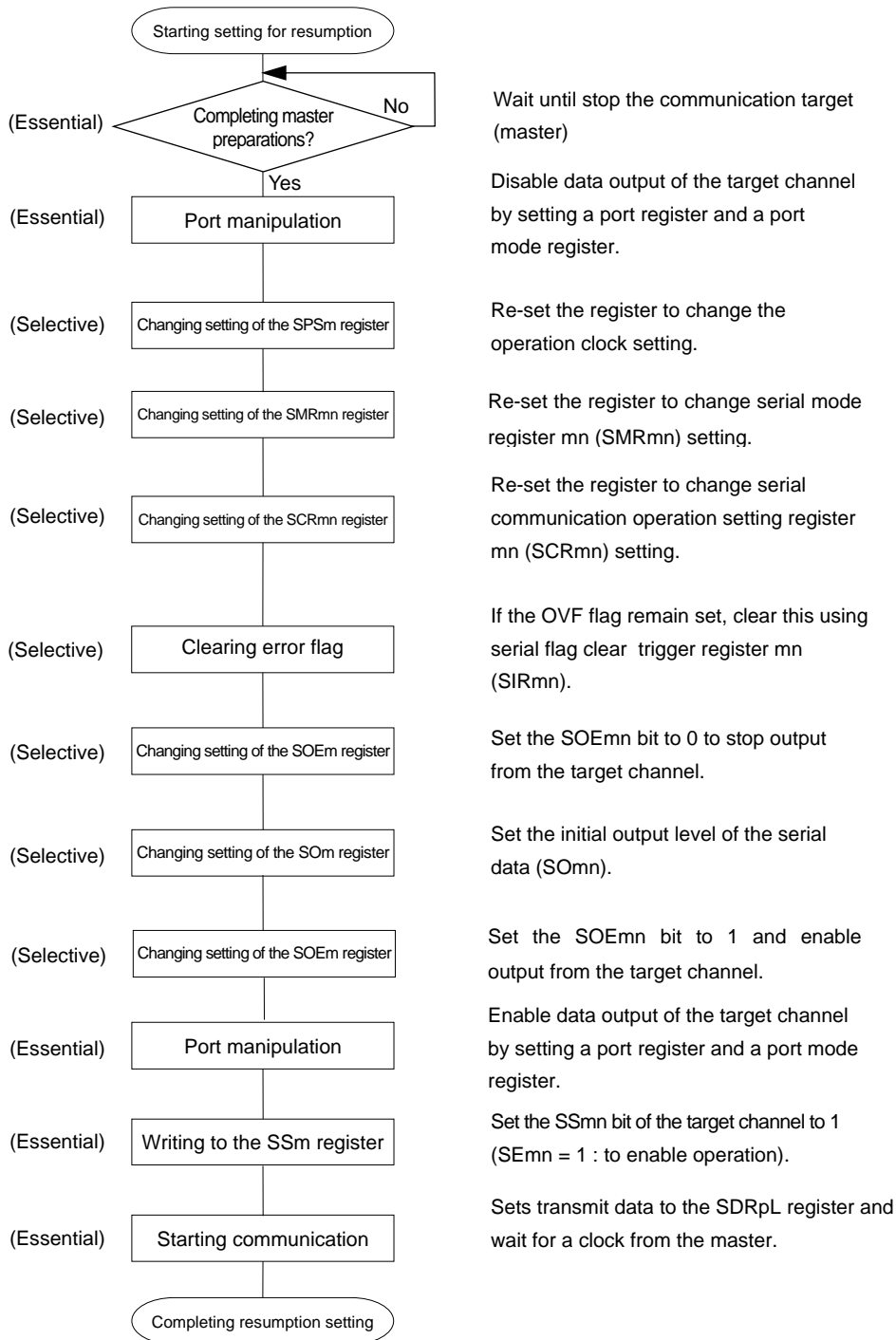
Figure 15-95. Procedure for Resuming Slave Transmission/Reception (CSI00, CSI01, CSI10, CSI11)



Caution Be sure to set transmit data to the SDRpL register before the clock from the master is started.

Remark m: Unit number (m = 0, 1), n: Channel number (n = 0, 1), p: CSI number (p = 00, 01, 10, 11), mn = 00, 01, 10, 11

Figure 15-96. Procedure for Resuming Slave Transmission/Reception (CSI20, CSI21)

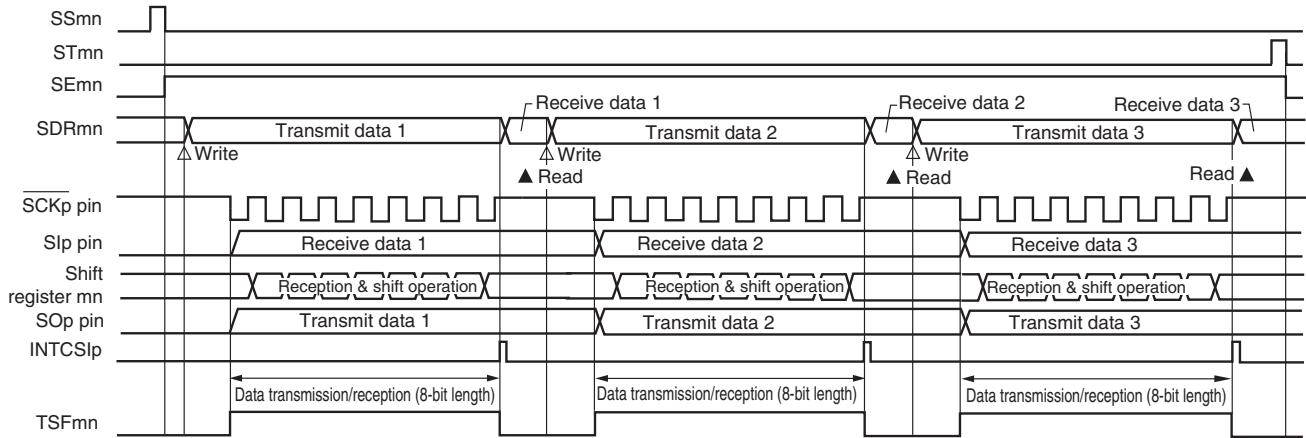


- Cautions**
1. Be sure to set transmit data to the SDRpL register before the clock from the master is started.
 2. If PER1 is rewritten while stopping the master transmission and the clock supply is stopped, wait until the transmission target (master) stops or transmission finishes, and then perform initialization instead of restarting the transmission.

Remark m: Unit number (m = 2), n: Channel number (n = 0, 1), p: CSI number (n = 20, 21), mn = 20, 21

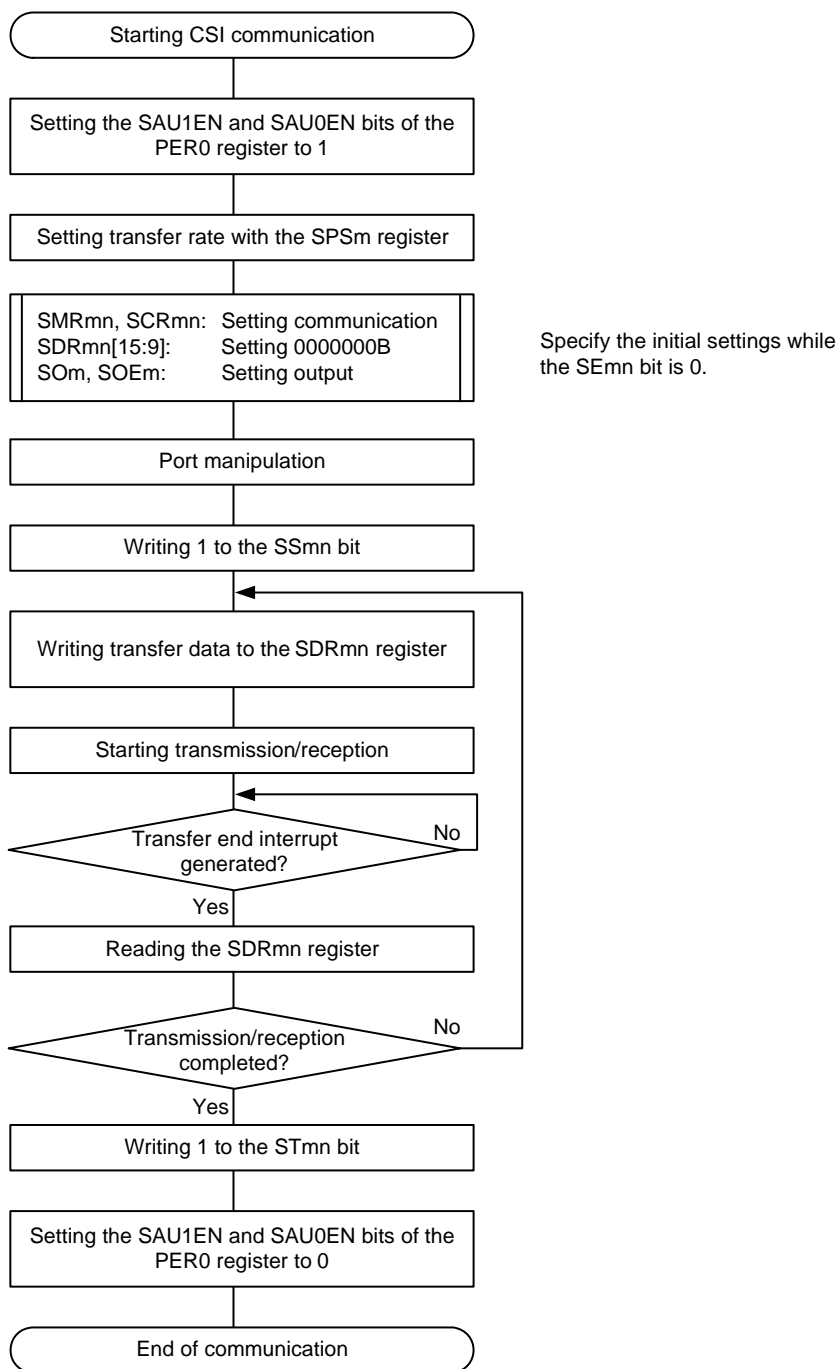
(3) Processing flow (in single-transmission/reception mode)

Figure 15-97. Timing Chart of Slave Transmission/Reception (in Single-Transmission/Reception Mode)
(Type 1: DAPmn = 0, CKPmn = 0)



Remark m: Unit number (m = 0-2), n: Channel number (n = 0, 1), p: CSI number (p = 00, 01, 10, 11, 20, 21),
mn = 00, 01, 10, 11, 20, 21

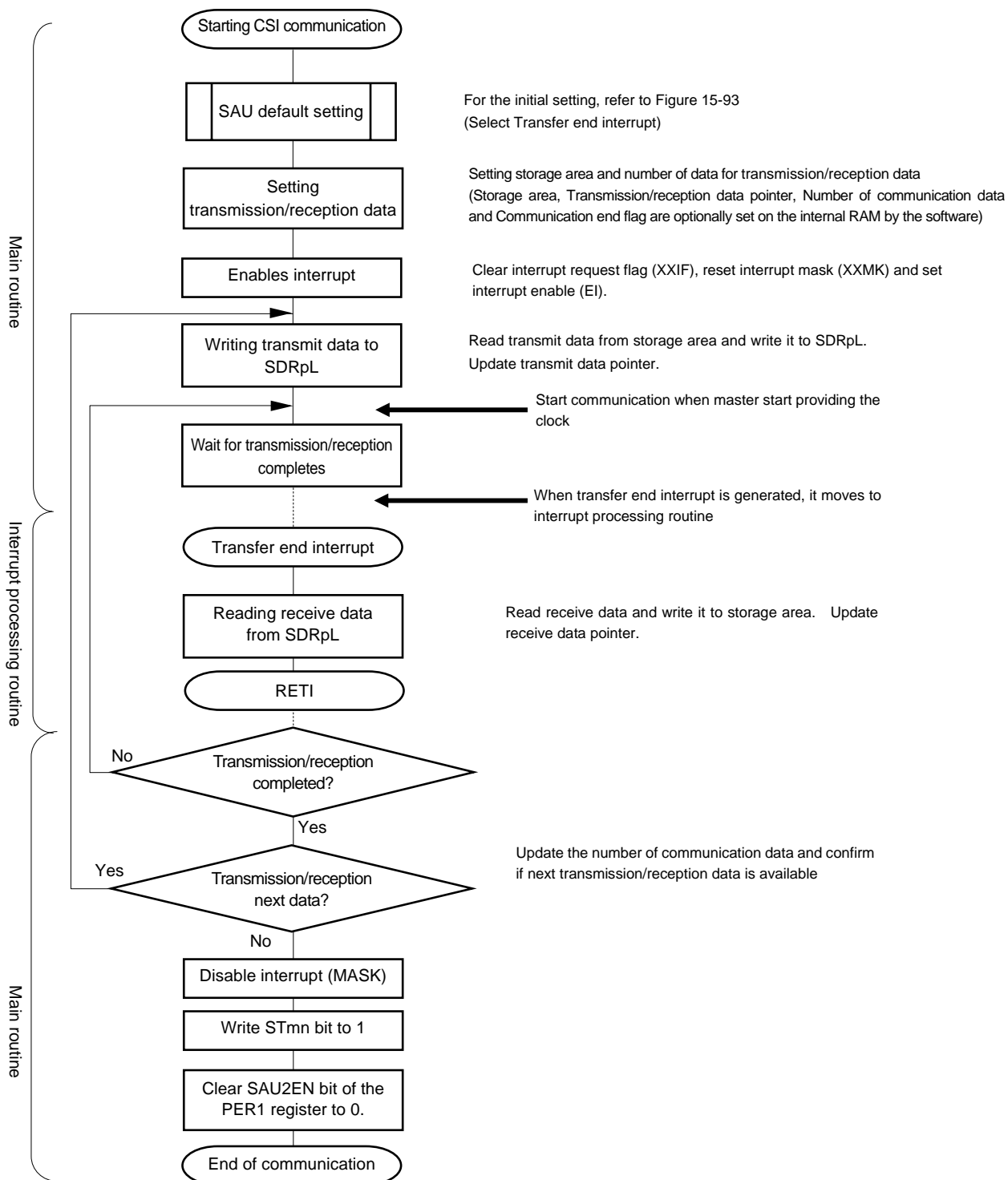
Figure 15-98. Flowchart of Slave Transmission/Reception (in Single-Transmission/Reception Mode) (CSI00, CSI01, CSI10, CSI11)



Caution Be sure to set transmit data to the SDRpL register before the clock from the master is started.

Remark m: Unit number (m = 0, 1), n: Channel number (n = 0, 1), p: CSI number (p = 00, 01, 10, 11), mn = 00, 01, 10, 11

Figure 15-99. Flowchart of Slave Transmission/Reception (in Single- Transmission/Reception Mode) (CSI20, CSI21)

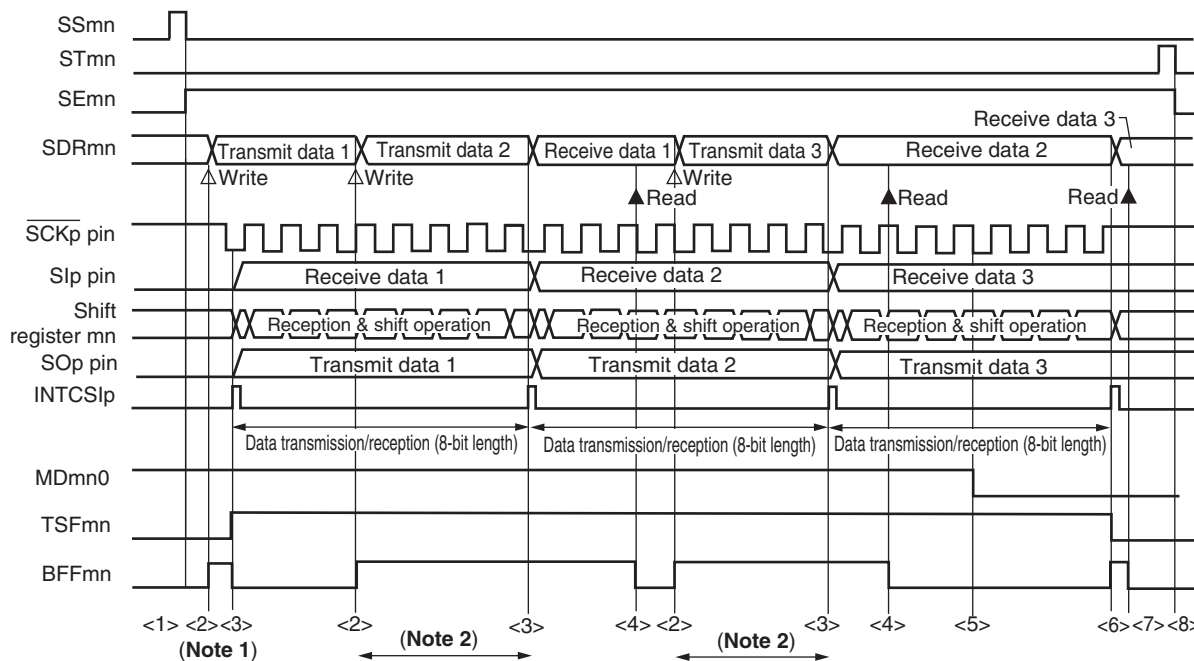


Caution Be sure to set transmit data to the SIOp register before the clock from the master is started.

Remark m: Unit number (m = 2), n: Channel number (n = 0, 1), p: CSI number (n = 20, 21), mn = 20, 21

(4) Processing flow (in continuous transmission/reception mode)

Figure 15-100. Timing Chart of Slave Transmission/Reception (in Continuous Transmission/Reception Mode)
(Type 1: DAPmn = 0, CKPmn = 0)

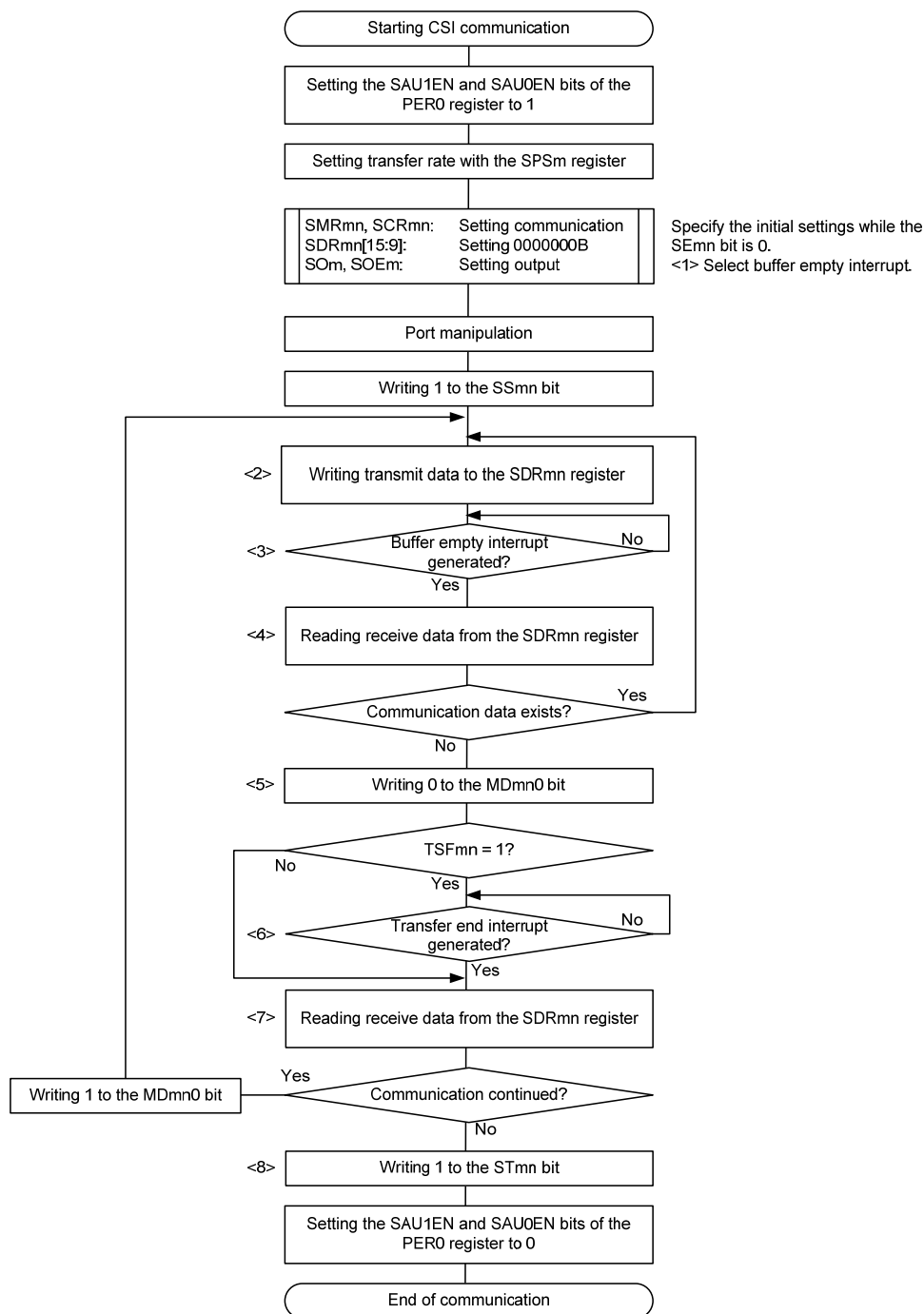


- Notes**
1. If transmit data is written to the SDRmn register while the BFFmn bit of serial status register mn (SSRmn) is 1 (valid data is stored in serial data register mn (SDRmn)), the transmit data is overwritten.
 2. The transmit data can be read by reading the SDRmn register during this period. At this time, the transfer operation is not affected.

Caution The MDmn0 bit of serial mode register mn (SMRmn) can be rewritten even during operation. However, rewrite it before transfer of the last bit is started, so that it has been rewritten before the transfer end interrupt of the last transmit data.

- Remarks**
1. <1> to <8> in the figure correspond to <1> to <8> in Figure 15-101 and 15-102 Flowchart of Slave Transmission/Reception (in Continuous Transmission/Reception Mode).
 2. m: Unit number (m = 0-2), n: Channel number (n = 0, 1), p: CSI number (p = 00, 01, 10, 11, 20, 21), mn = 00, 01, 10, 11, 20, 21

Figure 15-101. Flowchart of Slave Transmission/Reception (in Continuous Transmission/Reception Mode) (CSI00, CSI01, CSI10, CSI11)

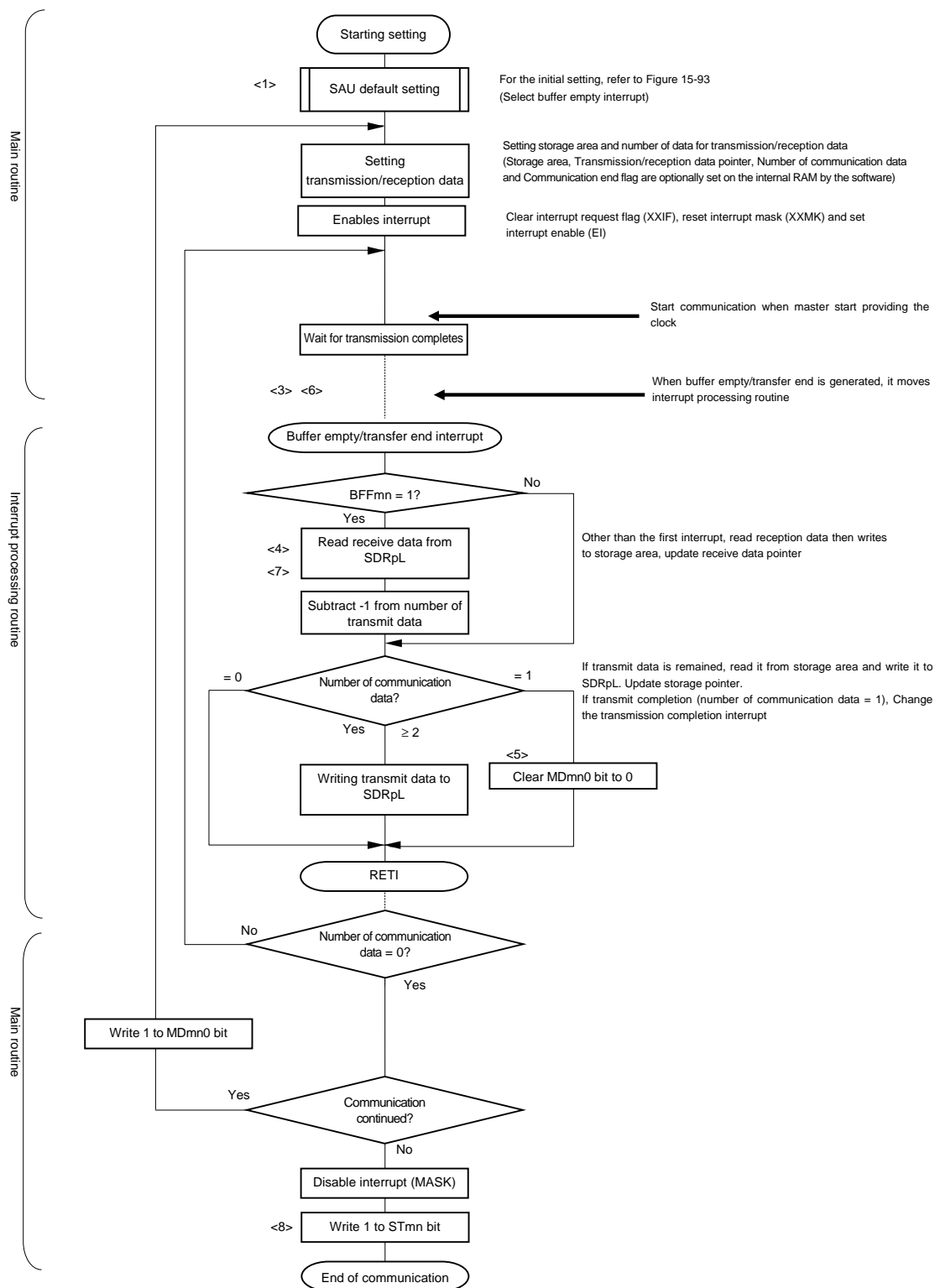


Caution Be sure to set transmit data to the SDRpL register before the clock from the master is started.

Remarks 1. <1> to <8> in the figure correspond to <1> to <8> in **Figure 15-100 Timing Chart of Slave Transmission/Reception (in Continuous Transmission/Reception Mode)**.

2. m: Unit number (m = 0, 1), n: Channel number (n = 0, 1), p: CSI number (p = 00, 01, 10, 11), mn = 00, 01, 10, 11

Figure 15-102. Flowchart of Slave Transmission/Reception (in Continuous Transmission/Reception Mode) (CSI20, CSI21)



Caution Be sure to set transmit data to the SDRpL register before the clock from the master is started.

Remarks 1. <1> to <8> in the figure correspond to <1> to <8> in **Figure 15-100 Timing Chart of Slave Transmission/Reception (in Continuous Transmission/Reception Mode).**

2. m: Unit number (m = 2), n: Channel number (n = 0, 1), p: CSI number (n = 20, 21), mn = 20, 21

15.5.7 SNOOZE mode function

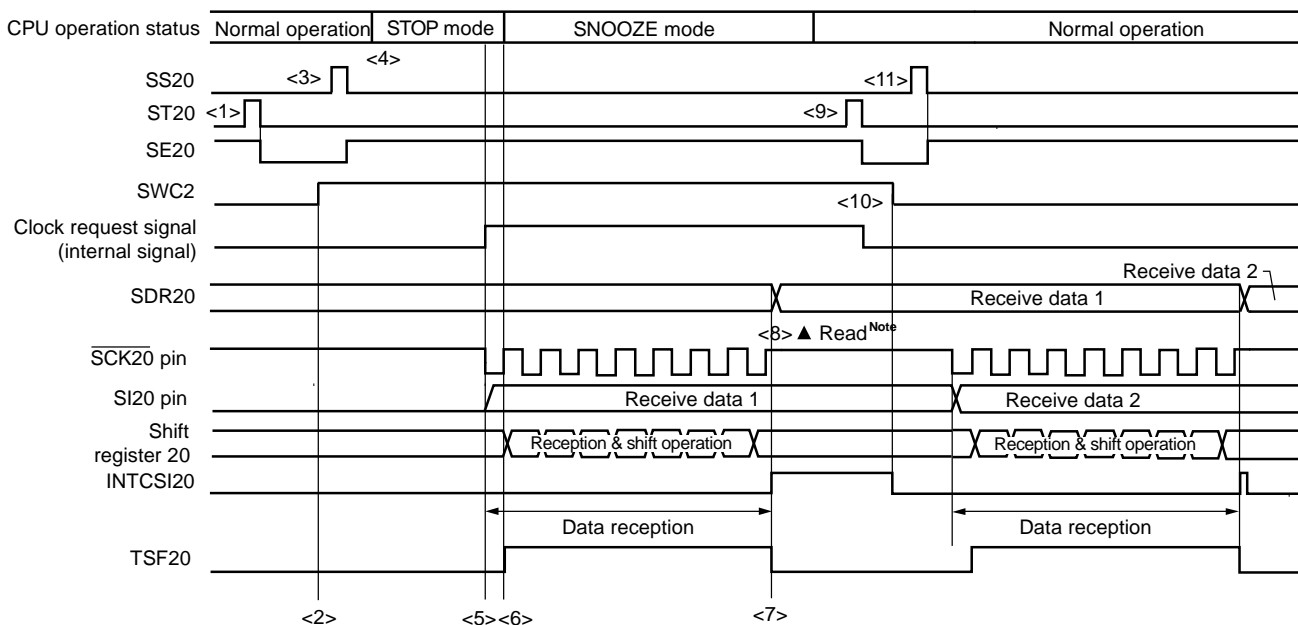
When \overline{SCKp} pin input is detected while in the STOP mode, the SNOOZE mode makes data reception that does not require the CPU possible. Only CSI20 can be specified for SNOOZE mode.

When using the SNOOZE mode function, set the SWCm bit of serial standby control register m (SSCm) to 1 before switching to the STOP mode.

- Cautions 1.** The SNOOZE mode can only be specified when the high-speed on-chip oscillator clock is selected for f_{CLK}.
- 2.** The maximum transfer rate when using CSI00 in the SNOOZE mode is 1 Mbps.

(1) SNOOZE mode operation (once startup)

Figure 15-103. Timing Chart of SNOOZE Mode Operation (once startup) (Type 1: DAPmn = 0, CKPmn = 0)

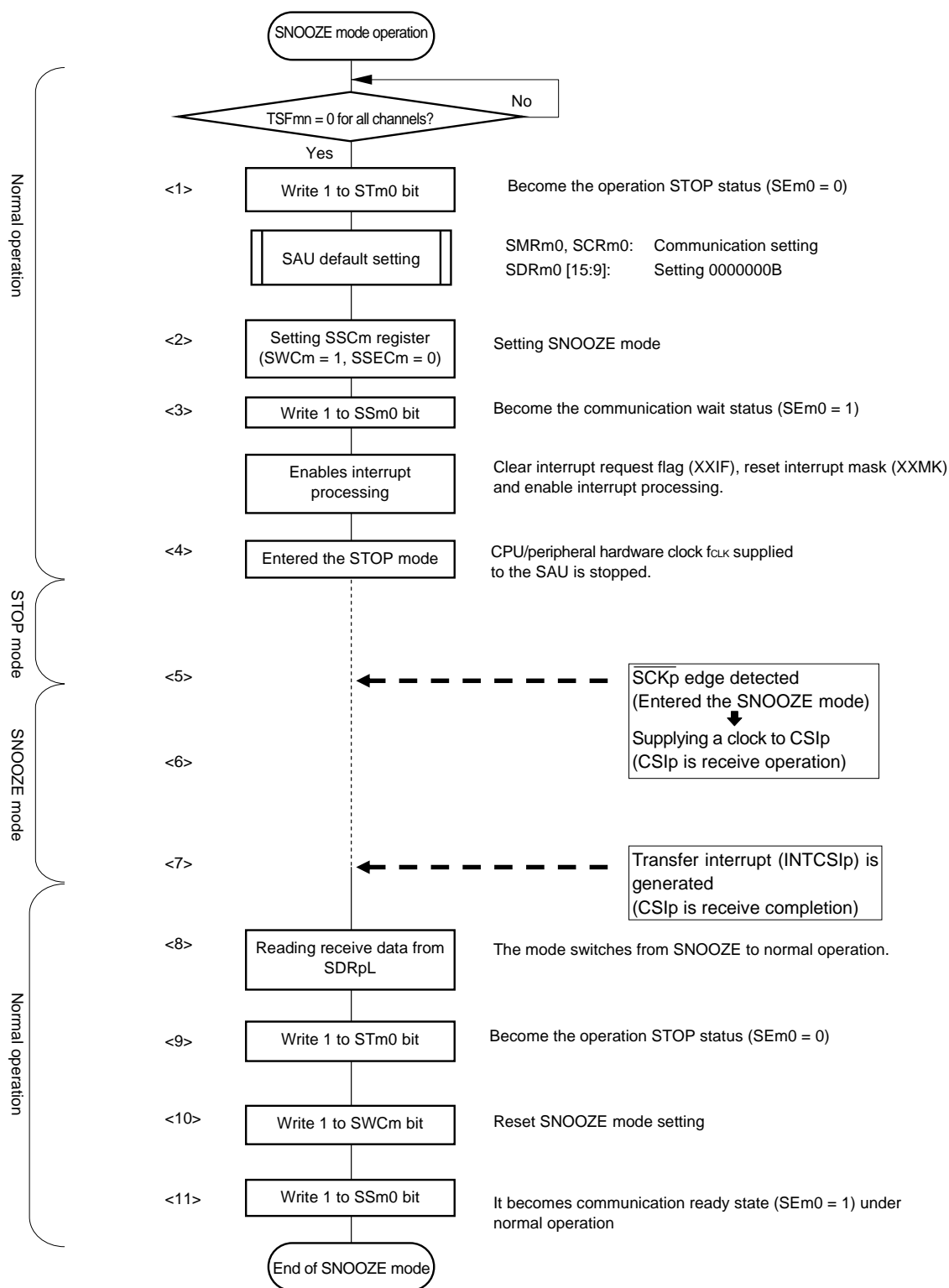


Note Only read received data while SWCm = 1 and before the next edge of the \overline{SCKp} pin input is detected.

- Cautions 1.** Before switching to the SNOOZE mode or after reception operation in the SNOOZE mode finishes, set the STm0 bit to 1 (clear the SEm0 bit and stop the operation). After the receive operation completes, also clear the SWCm bit to 0 (SNOOZE mode release).
- 2.** When SWCm = 1, the BFFm1 and OVfm1 flags will not change.

- Remarks 1.** <1> to <11> in the figure correspond to <1> to <11> in Figure 15-104 Flowchart of SNOOZE Mode Operation (once startup).
- 2.** m = 2, p = 20

Figure 15-104. Flowchart of SNOOZE Mode Operation (once startup)

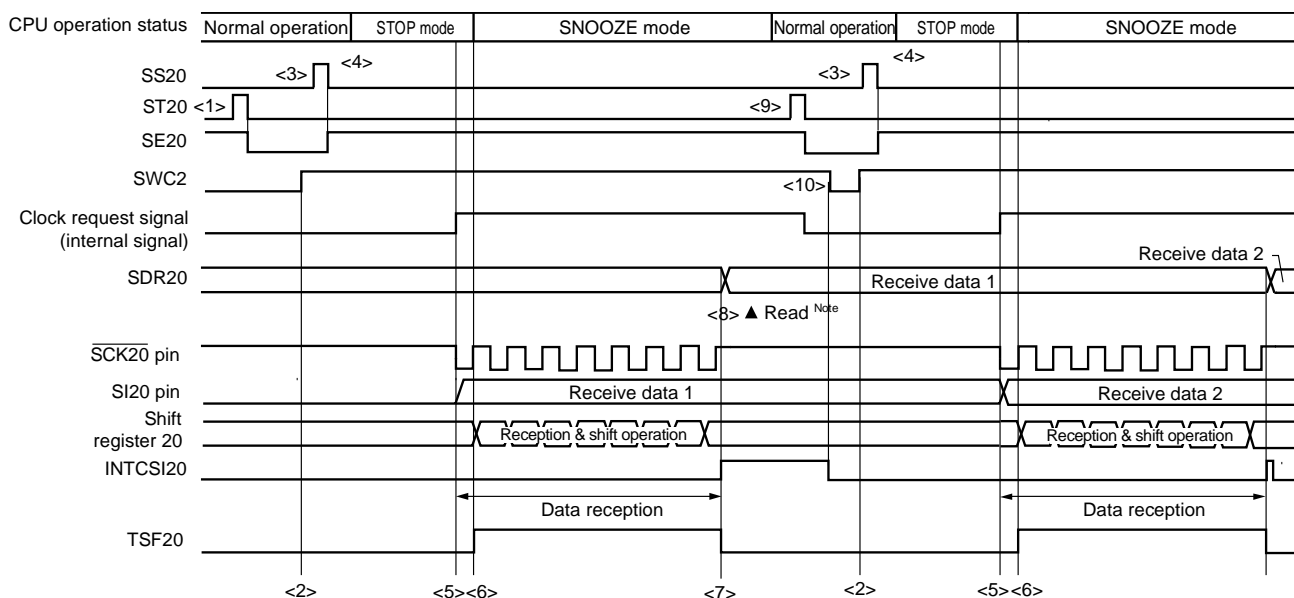


Remarks 1. <1> to <11> in the figure correspond to <1> to <11> in Figure 15-103. Timing Chart of SNOOZE Mode Operation (once startup).

2. m = 2; p = 20

(2) SNOOZE mode operation (continuous startup)

Figure 15-105. Timing Chart of SNOOZE Mode Operation (continuous startup) (Type 1: DAPmn = 0, CKPmn = 0)

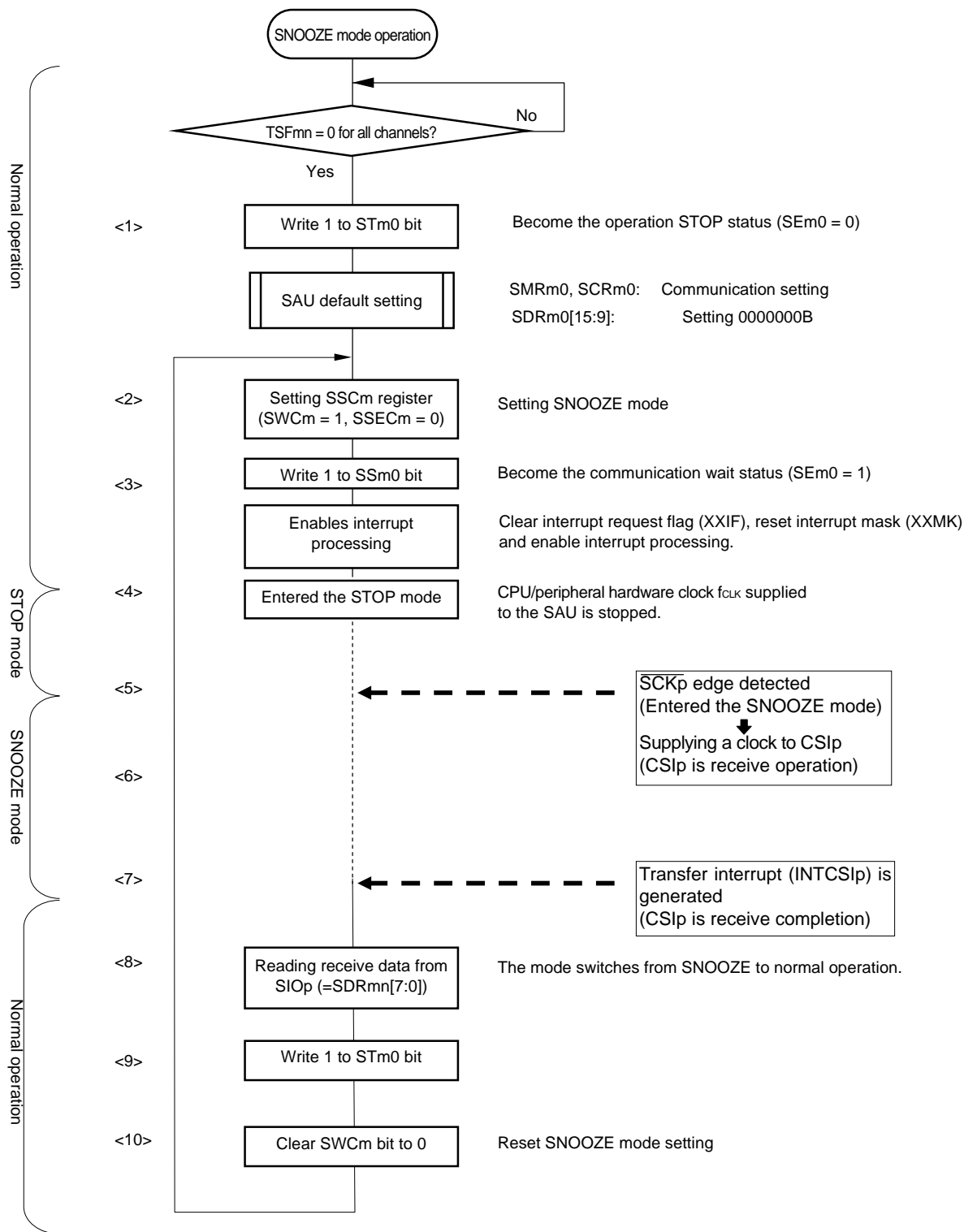


Note Only read received data while SWCm = 1 and before the next edge of the SCKp pin input is detected.

- Cautions**
1. Before switching to the SNOOZE mode or after reception operation in the SNOOZE mode finishes, set the STm0 bit to 1 (clear the SEm0 bit and stop the operation). After the receive operation completes, also clear the SWCm bit to 0 (SNOOZE mode release).
 2. When SWCm = 1, the BFFm1 and OVfm1 flags will not change.

- Remarks**
1. <1> to <10> in the figure correspond to <1> to <10> in Figure 15-106. Flowchart of SNOOZE Mode Operation (continuous startup).
 2. m = 2; p = 20

Figure 15-106. Flowchart of SNOOZE Mode Operation (continuous startup)



Remarks 1. <1> to <10> in the figure correspond to <1> to <10> in Figure 15-105. Timing Chart of SNOOZE Mode Operation (continuous startup).

2. m = 2; p = 20

15.5.8 Calculating transfer clock frequency

The transfer clock frequency for 3-wire serial I/O (CSI00, CSI01, CSI10, CSI11, CSI20, CSI21) communication can be calculated by the following expressions.

(1) Master

$$\text{(Transfer clock frequency)} = \{\text{Operation clock (}f_{\text{MCK}}\text{) frequency of target channel}\} \div (\text{SDRmn}[15:9] + 1) \div 2 \text{ [Hz]}$$

(2) Slave

$$\text{(Transfer clock frequency)} = \{\text{Frequency of serial clock (}f_{\text{SCK}}\text{) supplied by master}\}^{\text{Note}} \text{ [Hz]}$$

Note The permissible maximum transfer clock frequency is $f_{\text{MCK}}/6$.

Remark The value of SDRmn[15:9] is the value of bits 15 to 9 of serial data register mn (SDRmn) (0000000B to 1111111B) and therefore is 0 to 127.

The operation clock (f_{MCK}) is determined by serial clock select register m (SPSm) and bit 15 (CKSmn) of serial mode register mn (SMRmn).

Table 15-2. Selection of Operation Clock For 3-Wire Serial I/O

SMRmn Register	SPSm Register								Operation Clock (f _{CLK}) ^{Note 1}	
	CKSmn	PRS m13	PRS m12	PRS m11	PRS m10	PRS m03	PRS m02	PRS m01	PRS m00	f _{CLK} = 32 MHz
0	X	X	X	X	0	0	0	0	f _{CLK}	32 MHz
	X	X	X	X	0	0	0	1	f _{CLK} /2	16 MHz
	X	X	X	X	0	0	1	0	f _{CLK} /2 ²	8 MHz
	X	X	X	X	0	0	1	1	f _{CLK} /2 ³	4 MHz
	X	X	X	X	0	1	0	0	f _{CLK} /2 ⁴	2 MHz
	X	X	X	X	0	1	0	1	f _{CLK} /2 ⁵	1 MHz
	X	X	X	X	0	1	1	0	f _{CLK} /2 ⁶	500 kHz
	X	X	X	X	0	1	1	1	f _{CLK} /2 ⁷	250 kHz
	X	X	X	X	1	0	0	0	f _{CLK} /2 ⁸	125 kHz
	X	X	X	X	1	0	0	1	f _{CLK} /2 ⁹	62.5 kHz
	X	X	X	X	1	0	1	0	f _{CLK} /2 ¹⁰	31.25 kHz
	X	X	X	X	1	0	1	1	f _{CLK} /2 ¹¹	15.63 kHz
	X	X	X	X	1	1	0	0	f _{CLK} /2 ¹² Note 2	7.81 kHz
	X	X	X	X	1	1	0	1	f _{CLK} /2 ¹³ Note 2	3.91 kHz
	X	X	X	X	1	1	1	0	f _{CLK} /2 ¹⁴ Note 2	1.95 kHz
X	X	X	X	1	1	1	1	f _{CLK} /2 ¹⁵ Note 2	977 Hz	
1	0	0	0	0	X	X	X	X	f _{CLK}	32 MHz
	0	0	0	1	X	X	X	X	f _{CLK} /2	16 MHz
	0	0	1	0	X	X	X	X	f _{CLK} /2 ²	8 MHz
	0	0	1	1	X	X	X	X	f _{CLK} /2 ³	4 MHz
	0	1	0	0	X	X	X	X	f _{CLK} /2 ⁴	2 MHz
	0	1	0	1	X	X	X	X	f _{CLK} /2 ⁵	1 MHz
	0	1	1	0	X	X	X	X	f _{CLK} /2 ⁶	500 kHz
	0	1	1	1	X	X	X	X	f _{CLK} /2 ⁷	250 kHz
	1	0	0	0	X	X	X	X	f _{CLK} /2 ⁸	125 kHz
	1	0	0	1	X	X	X	X	f _{CLK} /2 ⁹	62.5 kHz
	1	0	1	0	X	X	X	X	f _{CLK} /2 ¹⁰	31.25 kHz
	1	0	1	1	X	X	X	X	f _{CLK} /2 ¹¹	15.63 kHz
	1	1	0	0	X	X	X	X	f _{CLK} /2 ¹² Note 2	7.81 kHz
	1	1	0	1	X	X	X	X	f _{CLK} /2 ¹³ Note 2	3.91 kHz
	1	1	1	0	X	X	X	X	f _{CLK} /2 ¹⁴ Note 2	1.95 kHz
1	1	1	1	X	X	X	X	f _{CLK} /2 ¹⁵ Note 2	977 Hz	
Other than above									Setting prohibited	

Notes 1. When changing the clock selected for f_{CLK} (by changing the system clock control register (CKC) value), do so after having stopped (serial channel stop register m (STm) = 0003H) the operation of the serial array unit (SAU).

2. Unit 2 only.

Remarks 1. X: Don't care

2. m: Unit number (m = 0-2), n: Channel number (n = 0, 1), mn = 00, 01, 10, 11, 20, 21

15.5.9 Procedure for processing errors that occurred during 3-wire serial I/O (CSI00, CSI01, CSI10, CSI11, CSI20, CSI21) communication

The procedure for processing errors that occurred during 3-wire serial I/O (CSI00, CSI01, CSI10, CSI11, CSI20, CSI21) communication is described in Figure 15-107.

Figure 15-107. Processing Procedure in Case of Overrun Error

Software Manipulation	Hardware Status	Remark
Reads serial data register mn (SDRmn).	→ The BFFmn bit of the SSRmn register is set to 0 and channel n is enabled to receive data.	This is to prevent an overrun error if the next reception is completed during error processing.
Reads serial status register mn (SSRmn).		Error type is identified and the read value is used to clear error flag.
Writes 1 to serial flag clear trigger register mn (SIRmn).	→ Error flag is cleared.	Error can be cleared only during reading, by writing the value read from the SSRmn register to the SIRmn register without modification.

Remark m: Unit number (m = 0-2), n: Channel number (n = 0, 1), mn = 00, 01, 10, 11, 20, 21

15.6 Clock Synchronous Serial Communication with SPI Function

Channels 0 and 1 of SAU0, and channel 0 of SAU1 incorporate clock synchronous serial communication with SPI function.

[Data transmission/reception]

- Data length of 7 to 16 bits
- Phase control of transmit/receive data
- MSB/LSB first selectable
- Level setting of transmit/receive data

[Clock control]

- Master/slave selection
- Phase control of I/O clock
- Setting of transfer period by prescaler and internal counter of each channel

[Interrupt function]

- Transfer end interrupt/buffer empty interrupt

[Error detection flag]

- Overrun error

[Expansion function]

- Slave select function

Unit	Channel	Used as CSI	Used as UART	Used as Simplified I ² C
0	0	CSI00 (supporting SPI function) ^{Note 3}	UART0 (supporting LIN-bus)	IIC00
	1	CSI01 (supporting SPI function) ^{Note 3}		IIC01
1	0	CSI10 (supporting SPI function) ^{Note 1, 3}	UART1	IIC10
	1	CSI11 (supporting SPI function) ^{Note 3}		IIC11
2 ^{Note 2}	0	CSI20	UART2	–
	1	CSI21		–

Notes1. 48-pin products do not have $\overline{\text{SSI10}}$ pin.

2. 144, 100-pin only.

3. Set CKP_mn bit of SCR_mn register to 1, when SSE_mn = 1 (Enables $\overline{\text{SSI}}_{m$ n pin input).
(m = 0, 1, n = 0, 1)

SPI function performs the following three types of communication operations.

- Master transmission (See **15.6.1 Master transmission.**)
- Master reception (See **15.6.2 Master reception.**)
- Master transmission/reception (See **15.6.3 Master transmission/reception.**)
- Slave transmission (See **15.6.4 Slave transmission.**)
- Slave reception (See **15.6.5 Slave reception.**)
- Slave transmission/reception (See **15.6.6 Slave transmission/reception.**)

Multiple slaves can be connected to a master and communication can be performed by using the slave select input function. The master outputs a slave select signal to the slave (one) that is the other party of communication, and each slave judges whether it has been selected as the other party of communication and controls the SO pin output. When a slave is selected, the SO pin is set to output state and transmit data can be communicated from the SO pin to the master. When a slave is not selected, the SO pin is set to Hi-Z state and prevents the short circuit with the output from the SO pin of other slaves. Therefore, in an environment where multiple slaves are connected, it is necessary set the SO pin to N-ch open-drain and pull up the node. Furthermore, when a slave is not selected, no transmission/reception operation is performed even if a serial clock is input from the master.

Caution Output the slave select signal by port manipulation.

Figure 15-108. Example of Slave Select Input Function Configuration

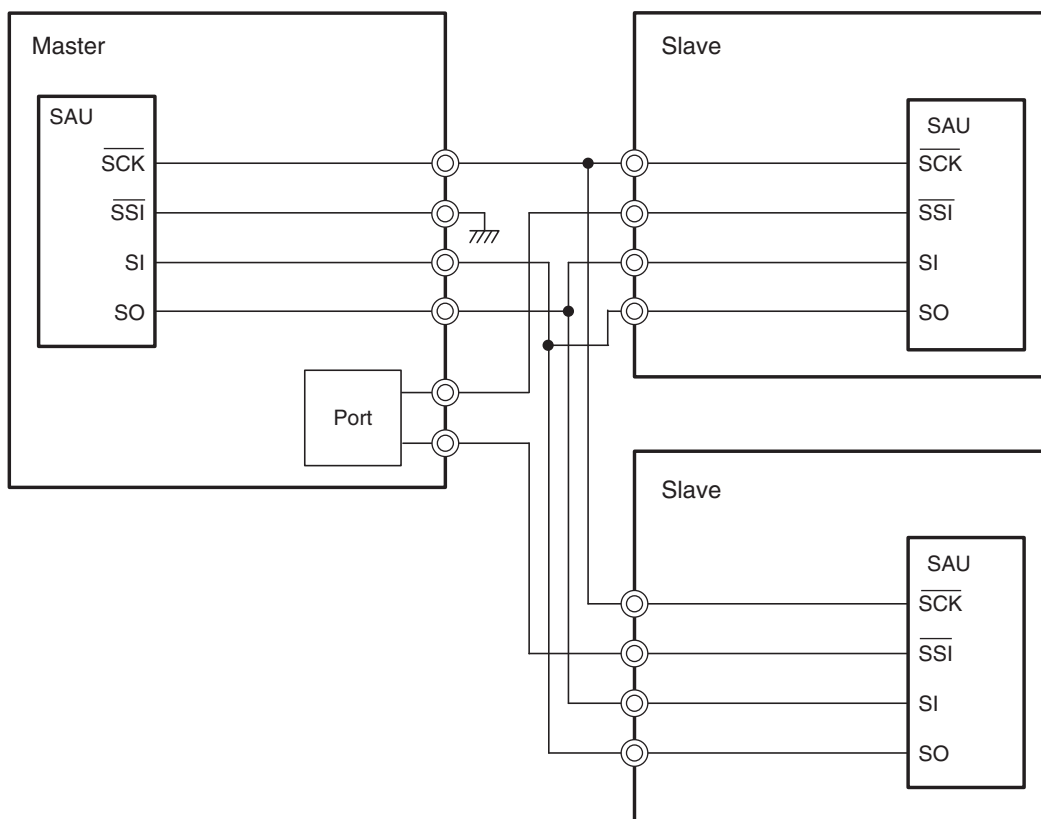
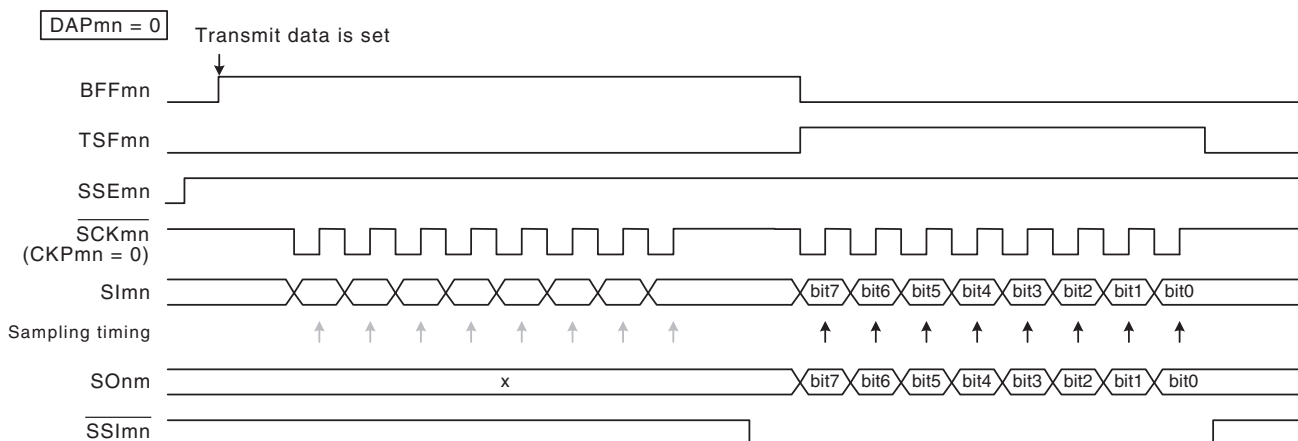
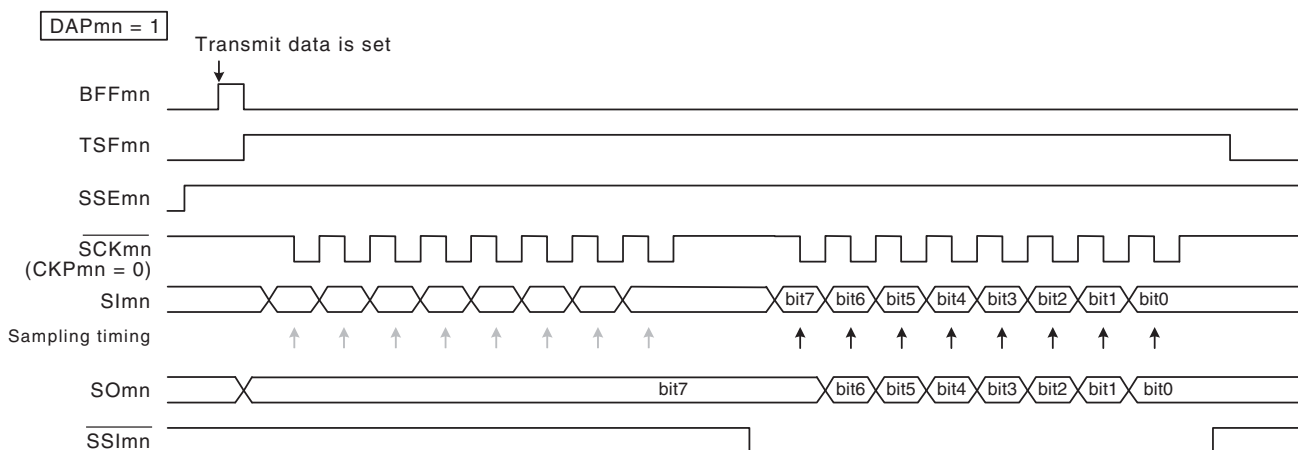


Figure 15-109. Slave Select Input Function Timing Diagram



While \overline{SSImn} is at high level, transmission is not performed even if the falling edge of \overline{SCKmn} (serial clock) arrives, and neither is receive data sampled in synchronization with the rising edge. When \overline{SSImn} goes to low level, data is output (shifted) in synchronization with the falling edge of the serial clock and a reception operation is performed in synchronization with the rising edge.



If $DAPmn = 1$, when transmit data is set while \overline{SSImn} is at high level, the first data (bit 7) is output to the data output. However, no shift operation is performed even if the rising edge of \overline{SCKmn} (serial clock) arrives, and neither is receive data sampled in synchronization with the falling edge. When \overline{SSImn} goes to low level, data is output (shifted) in synchronization with the next rising edge and a reception operation is performed in synchronization with the falling edge.

Remark m: Unit number (m = 0, 1), n: Channel number (n = 0, 1)

15.6.1 Master transmission

Master transmission is an operation wherein this MCU outputs a transfer clock and transmits data to another device.

SPI Function	CSI00	CSI01	CSI10	CSI11
Target channel	Channel 0 of SAU0	Channel 1 of SAU0	Channel 0 of SAU1	Channel 1 of SAU1
Pins used	$\overline{\text{SCK00}}$, SO00	$\overline{\text{SCK01}}$, SO01	$\overline{\text{SCK10}}$, SO10	$\overline{\text{SCK11}}$, SO11
Interrupt	INTCSI00	INTCSI01	INTCSI10	INTCSI11
	Transfer end interrupt (in single-transfer mode) or buffer empty interrupt (in continuous transfer mode) can be selected.			
Error detection flag	None			
Transfer data length	7 to 16 bits			
Transfer rate	Max. $f_{\text{MCK}}/4$ [Hz], Min. $f_{\text{CLK}}/(2 \times 2^{11} \times 128)$ [Hz] ^{Note} f_{CLK} : System clock frequency			
Data phase	Selectable by the DAPmn bit of the SCRmn register <ul style="list-style-type: none"> DAPmn = 0: Data output starts from the start of the serial clock operation. DAPmn = 1: Data output starts half a clock before the start of the serial clock operation. 			
Clock phase	Selectable by the CKPmn bit of the SCRmn register <ul style="list-style-type: none"> CKPmn = 0: Forward CKPmn = 1: Reverse 			
Data direction	MSB or LSB first			

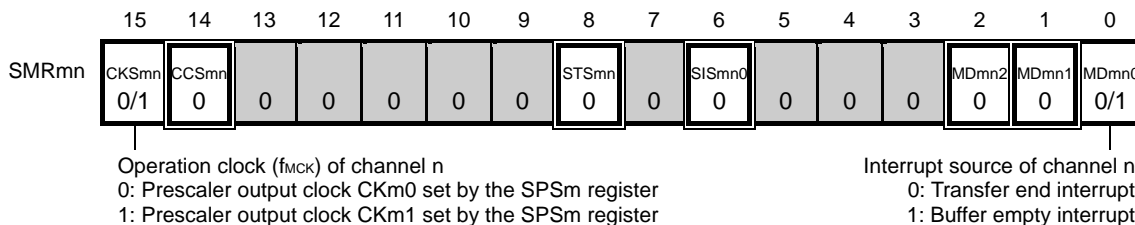
Note Use this operation within a range that satisfies the conditions above and the AC characteristics in the electrical specifications.

Remark m: Unit number (m = 0, 1), n: Channel number (n = 0, 1), mn = 00, 01, 10, 11

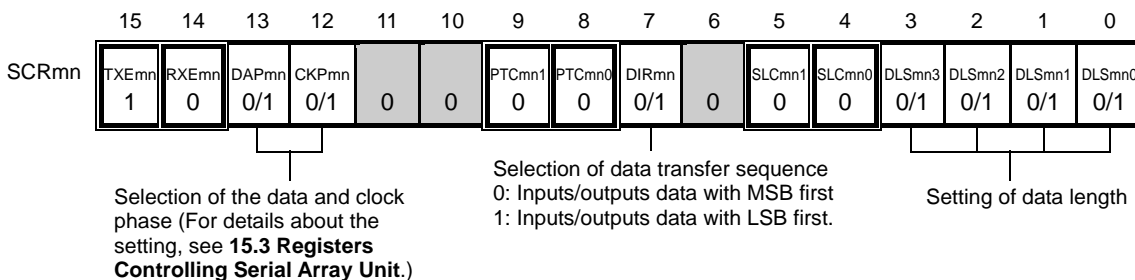
(1) Register setting

Figure 15-110. Example of Contents of Registers for Master Transmission of SPI Function (CSI00, CSI01, CSI10, CSI11) (1/2)

(a) Serial mode register mn (SMRmn)

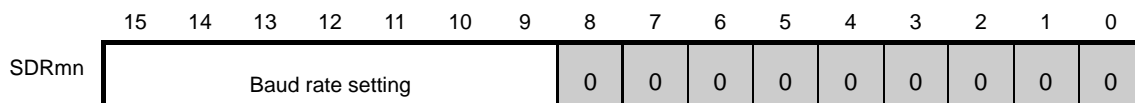


(b) Serial communication operation setting register mn (SCRmn)

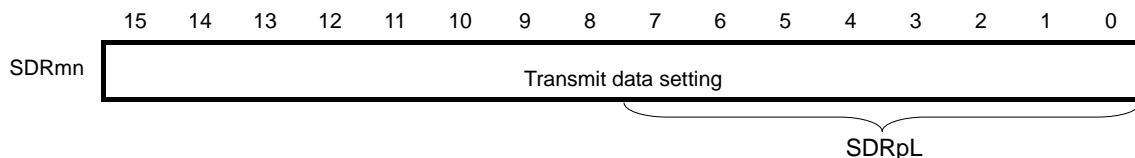


(c) Serial data register mn (SDRmn)

(1) When operation is stopped ($SEmn = 0$)



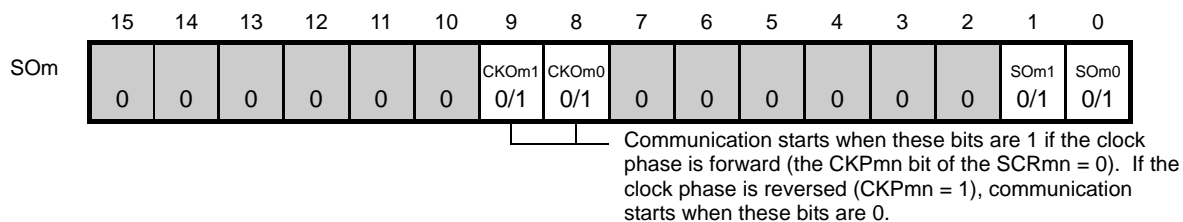
(2) When operation is in progress ($SEmn = 1$) (Lower 8 bits: SDRpL)



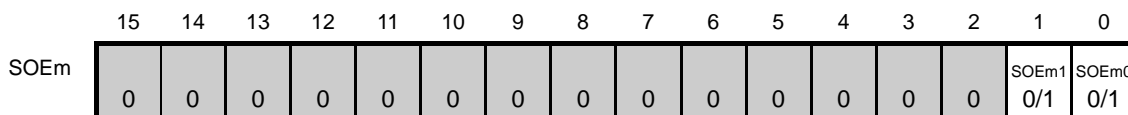
- Remarks**
1. m: Unit number (m = 0, 1), n: Channel number (n = 0, 1), p: CSI number (p = 00, 01, 10, 11), mn = 00, 01, 10, 11
 2. : Setting is fixed in the CSI master transmission mode, : Setting disabled (set to the initial value)
 0/1: Set to 0 or 1 depending on the usage of the user

Figure 15-110. Example of Contents of Registers for Master Transmission of SPI Function (CSI00, CSI01, CSI10, CSI11) (2/2)

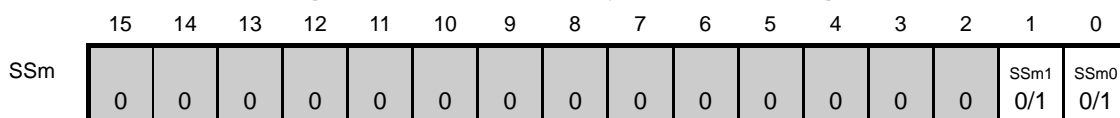
(d) Serial output register m (SOm) ... Sets only the bits of the target channel.



(e) Serial output enable register m (SOEm) ... Sets only the bits of the target channel to 1.



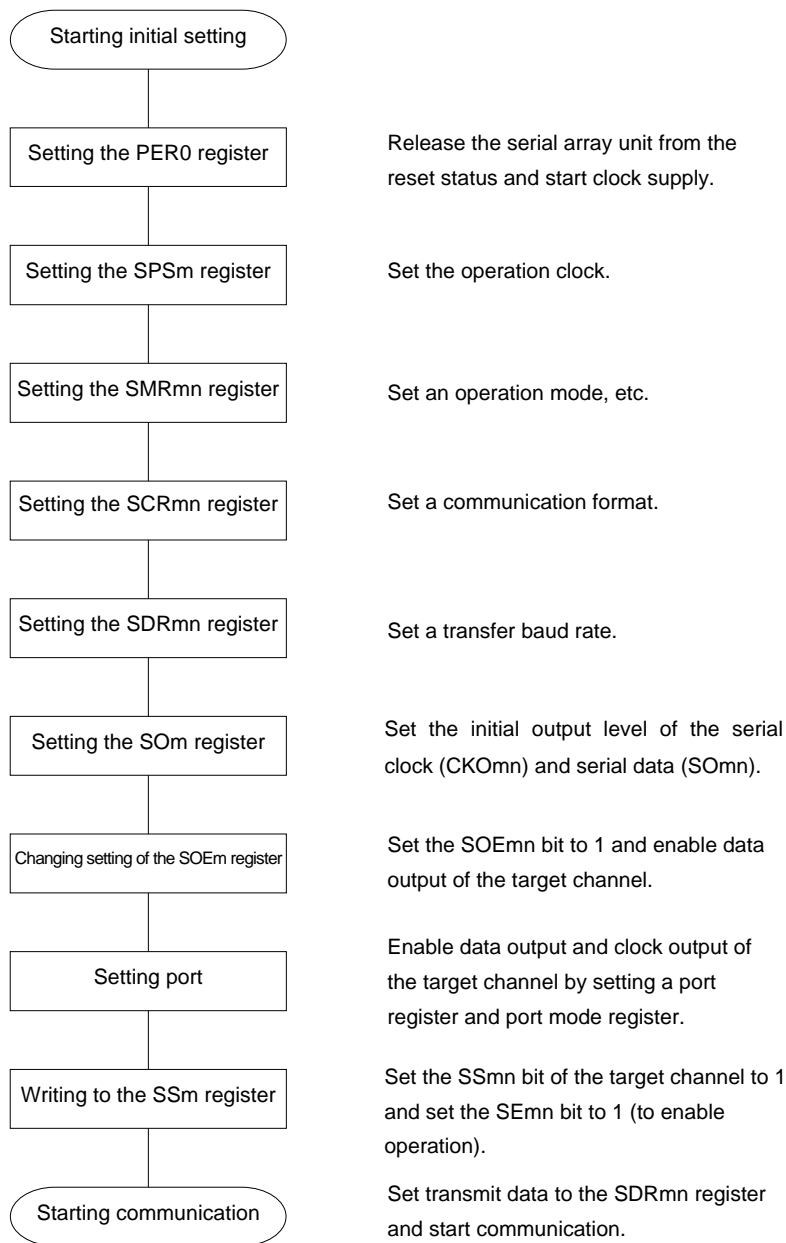
(f) Serial channel start register m (SSm) ... Sets only the bits of the target channel to 1.



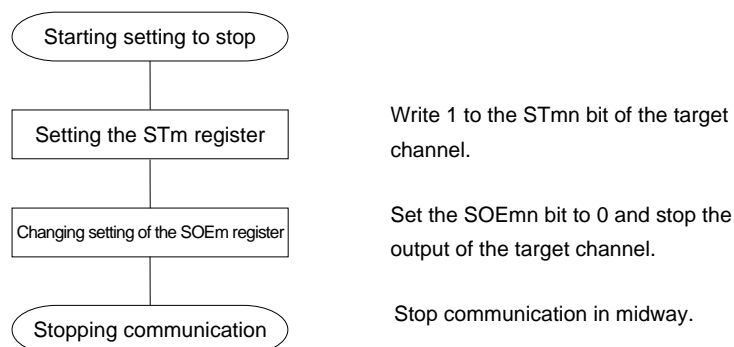
- Remarks**
1. m: Unit number (m = 0, 1), n: Channel number (n = 0, 1), p: CSI number (p = 00, 01, 10, 11), mn = 00, 01, 10, 11
 2. : Setting is fixed in the CSI master transmission mode, : Setting disabled (set to the initial value)
0/1: Set to 0 or 1 depending on the usage of the user

(2) Operation procedure

Figure 15-111. Initial Setting Procedure for Master Transmission

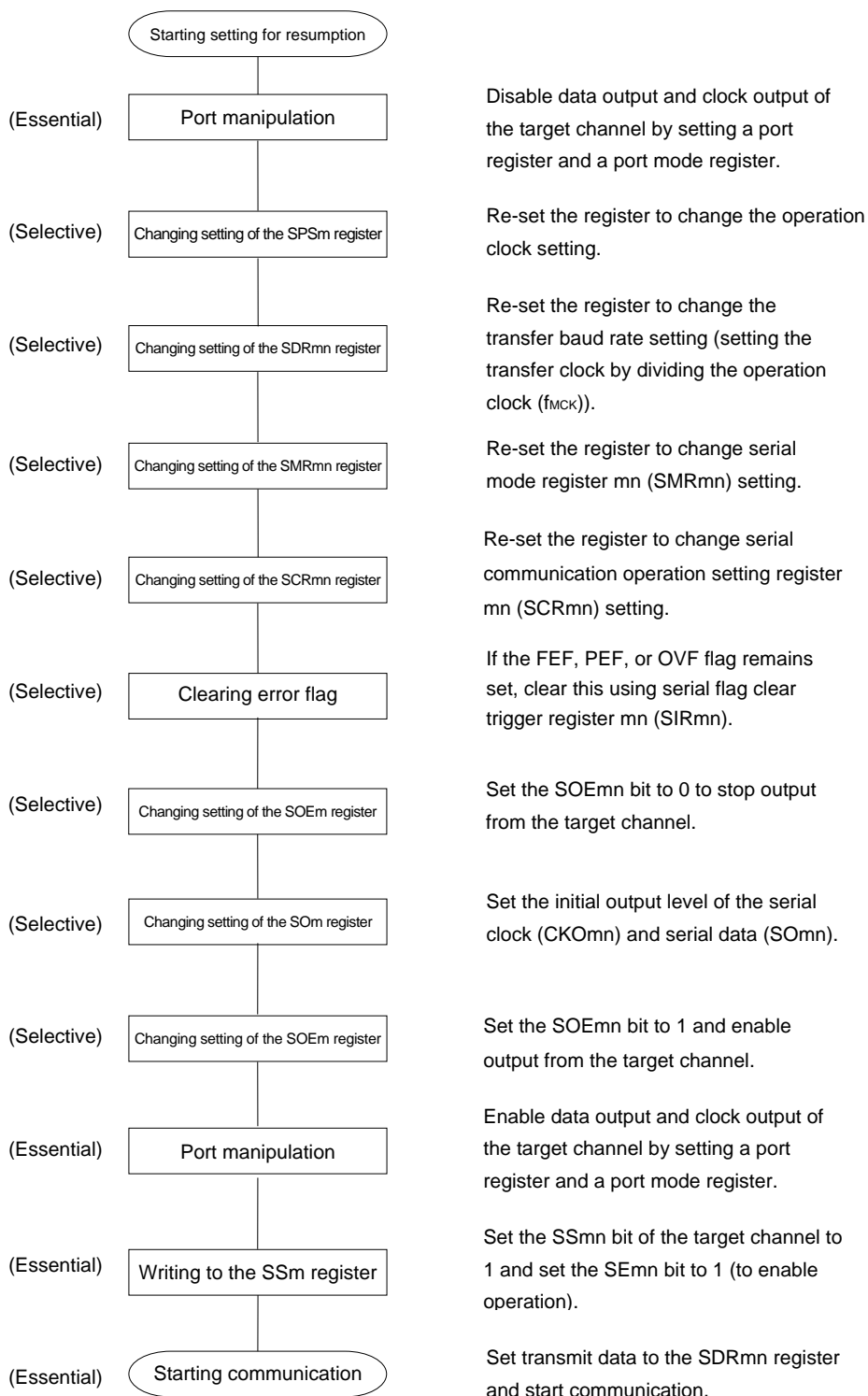


Remark m: Unit number (m = 0, 1), n: Channel number (n = 0, 1), p: CSI number (p = 00, 01, 10, 11), mn = 00, 01, 10, 11

Figure 15-112. Procedure for Stopping Master Transmission

- Remarks**
1. Even after communication is stopped, the pin level is retained. To resume the operation, re-set the SO_m register (see **Figure 15-113 Procedure for Resuming Master Transmission**).
 2. m: Unit number (m = 0, 1), n: Channel number (n = 0, 1), p: CSI number (p = 00, 01, 10, 11), mn = 00, 01, 10, 11

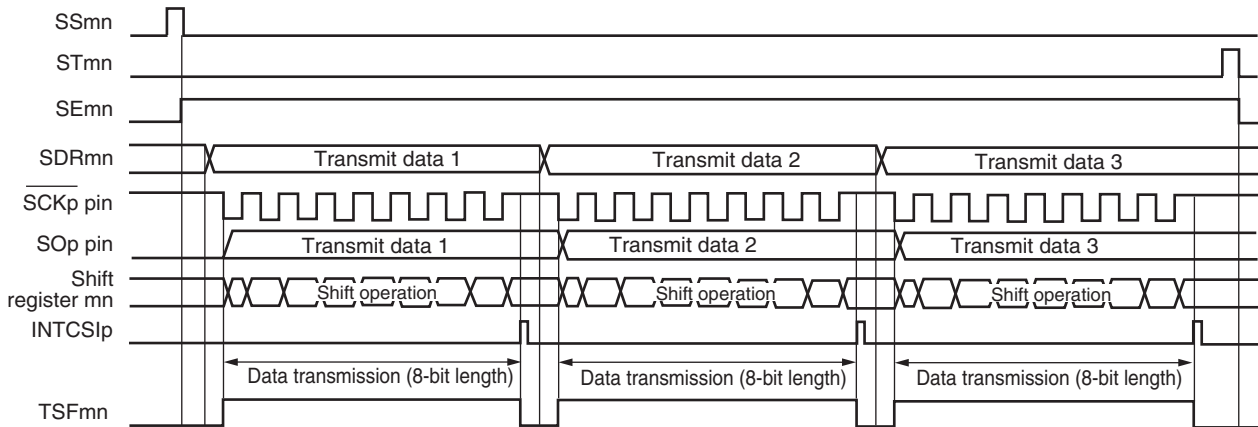
Figure 15-113. Procedure for Resuming Master Transmission



Remark m: Unit number (m = 0, 1), n: Channel number (n = 0, 1), mn = 00, 01, 10, 11

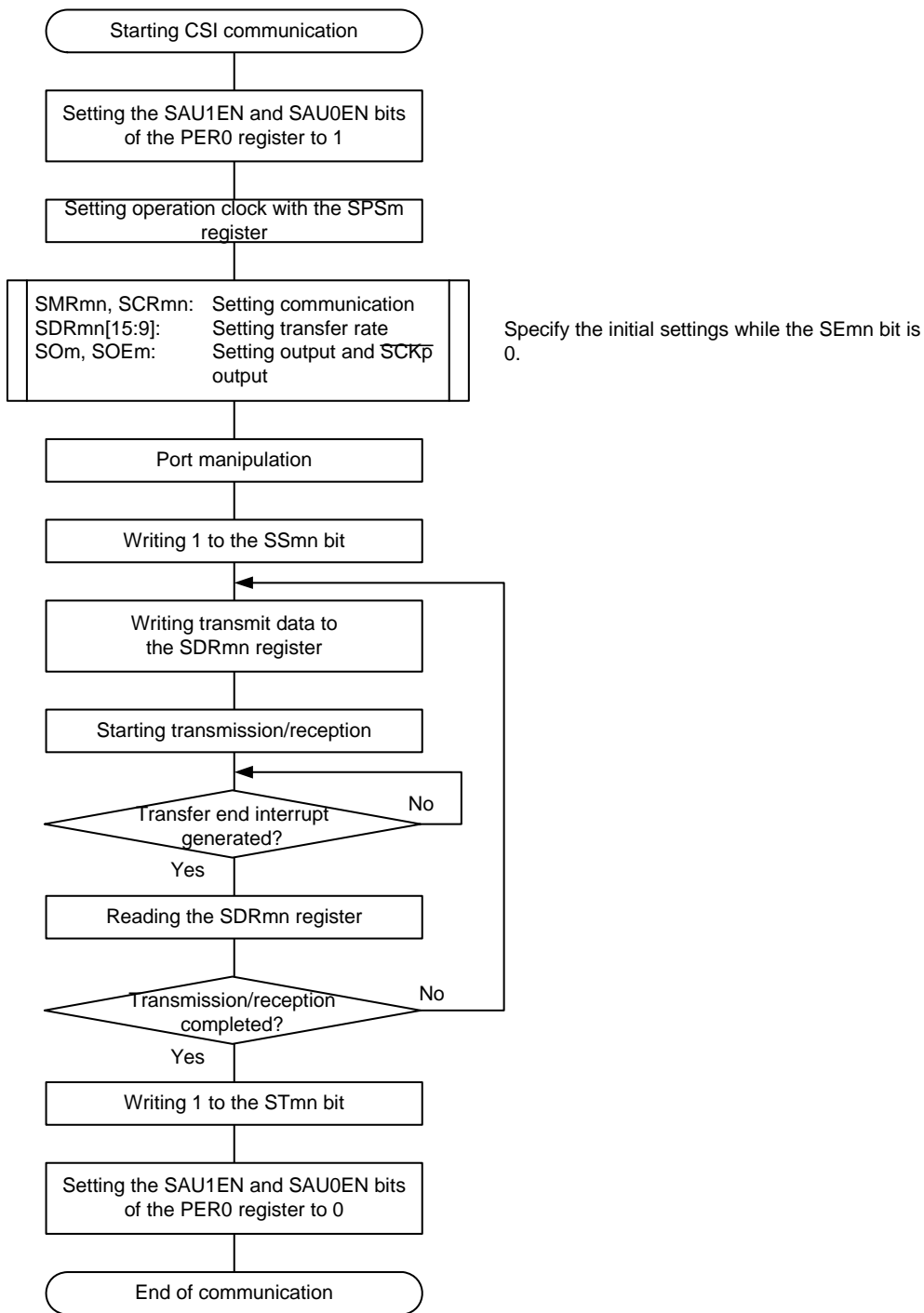
(3) Processing flow (in single-transmission mode)

**Figure 15-114. Timing Chart of Master Transmission (in Single-Transmission Mode)
(Type 1: DAPmn = 0, CKPmn = 0)**



Remark m: Unit number (m = 0, 1), n: Channel number (n = 0, 1), p: CSI number (p = 00, 01, 10, 11),
mn = 00, 01, 10, 11

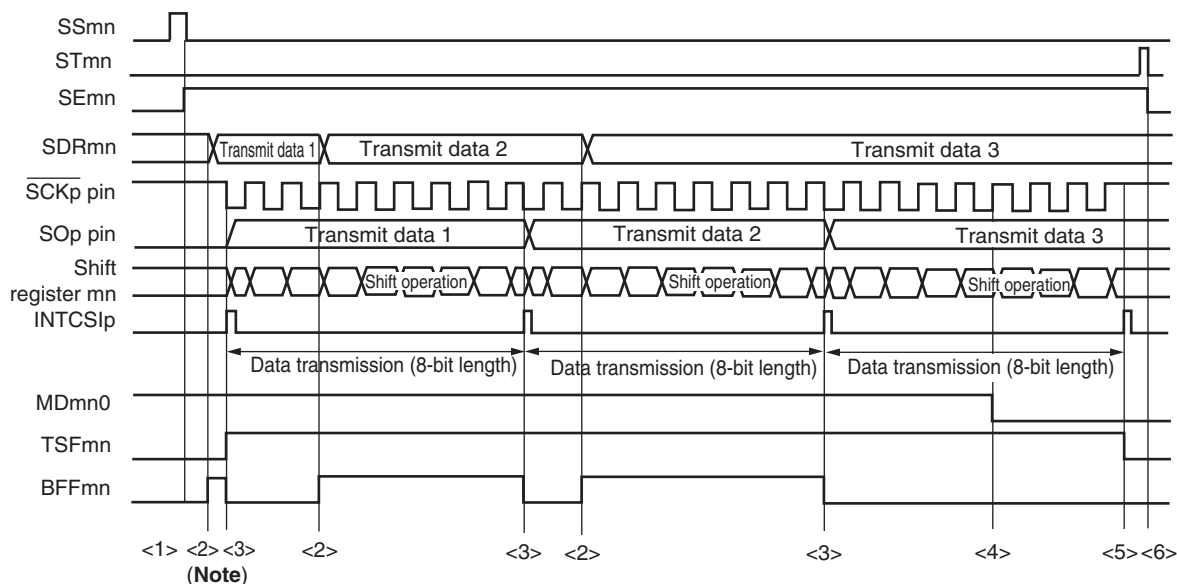
Figure 15-115. Flowchart of Master Transmission (in Single-Transmission Mode)



Remark m: Unit number (m = 0, 1), n: Channel number (n = 0, 1), mn = 00, 01, 10, 11

(4) Processing flow (in continuous transmission mode)

Figure 15-116. Timing Chart of Master Transmission (in Continuous Transmission Mode)
(Type 1: DAPmn = 0, CKPmn = 0)

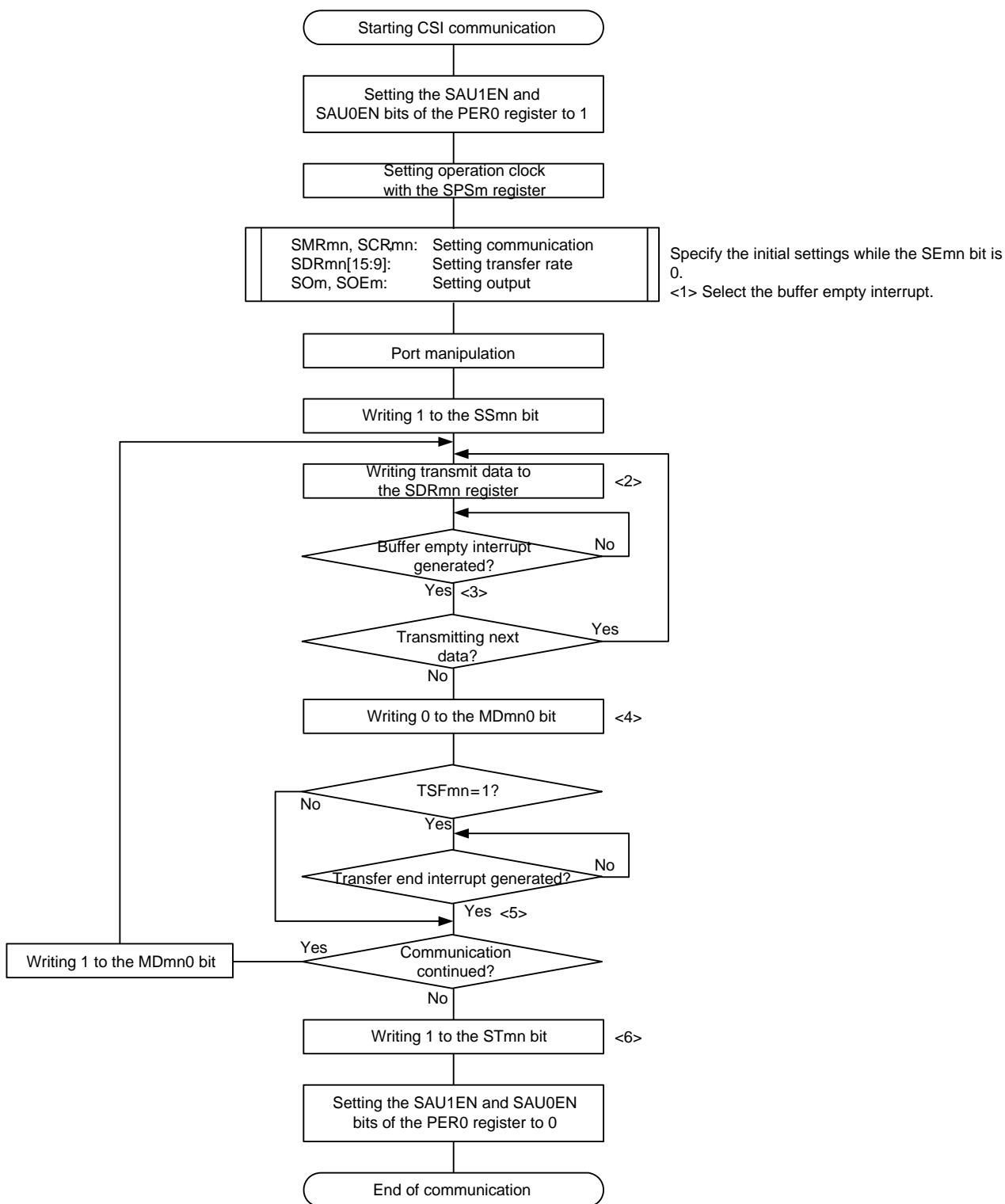


Note If transmit data is written to the SDRmn register while the BFFmn bit of serial status register mn (SSRmn) is 1 (valid data is stored in serial data register mn (SDRmn)), the transmit data is overwritten.

Caution The MDmn0 bit of serial mode register mn (SMRmn) can be rewritten even during operation. However, rewrite it before transfer of the last bit is started, so that it will be rewritten before the transfer end interrupt of the last transmit data.

Remark m: Unit number (m = 0, 1), n: Channel number (n = 0, 1), p: CSI number (p = 00, 01, 10, 11), mn = 00, 01, 10, 11

Figure 15-117. Flowchart of Master Transmission (in Continuous Transmission Mode)



Remarks 1. <1> to <6> in the figure correspond to <1> to <6> in Figure 15-116 Timing Chart of Master Transmission (in Continuous Transmission Mode).

2. m: Unit number (m = 0, 1), n: Channel number (n = 0, 1), mn = 00, 01, 10, 11

15.6.2 Master reception

Master reception is an operation wherein this MCU outputs a transfer clock and receives data from other device.

SPI Function	CSI00	CSI01	CSI10	CSI11
Target channel	Channel 0 of SAU0	Channel 1 of SAU0	Channel 0 of SAU1	Channel 1 of SAU1
Pins used	$\overline{\text{SCK00}}$, SI00	$\overline{\text{SCK01}}$, SI01	$\overline{\text{SCK10}}$, SI10	$\overline{\text{SCK11}}$, SI11
Interrupt	INTCSI00	INTCSI01	INTCSI10	INTCSI11
	Transfer end interrupt (in single-transfer mode) or buffer empty interrupt (in continuous transfer mode) can be selected.			
Error detection flag	Overrun error detection flag (OVFmn) only			
Transfer data length	7 to 16 bits			
Transfer rate	Max. $f_{\text{MCK}}/4$ [Hz], Min. $f_{\text{CLK}}/(2 \times 2^{11} \times 128)$ [Hz] ^{Note} f_{CLK} : System clock frequency			
Data phase	Selectable by the DAPmn bit of the SCRmn register <ul style="list-style-type: none"> DAPmn = 0: Data input starts from the start of the serial clock operation. DAPmn = 1: Data input starts half a clock before the start of the serial clock operation. 			
Clock phase	Selectable by the CKPmn bit of the SCRmn register <ul style="list-style-type: none"> CKPmn = 0: Forward CKPmn = 1: Reverse 			
Data direction	MSB or LSB first			

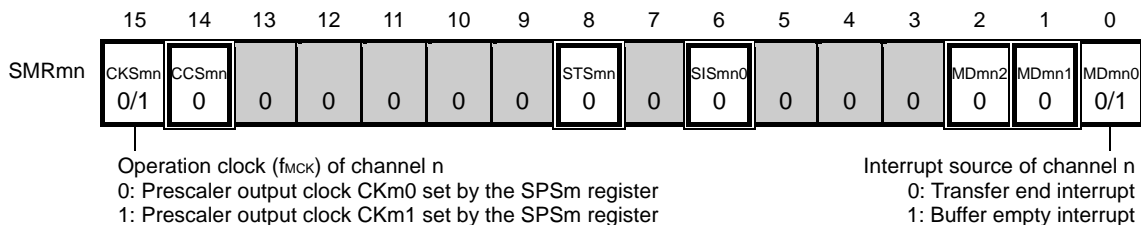
Note Use this operation within a range that satisfies the conditions above and the AC characteristics in the electrical specifications.

Remark m: Unit number (m = 0, 1), n: Channel number (n = 0, 1), mn = 00, 01, 10, 11

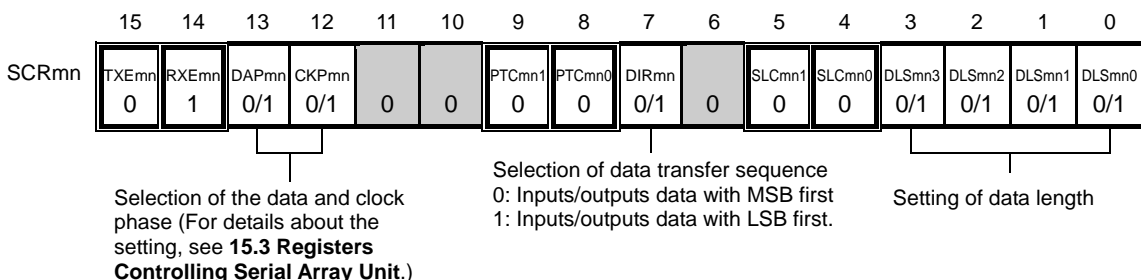
(1) Register setting

Figure 15-118. Example of Contents of Registers for Master Reception of SPI Function (CSI00, CSI01, CSI10, CSI11) (1/2)

(a) Serial mode register mn (SMRmn)

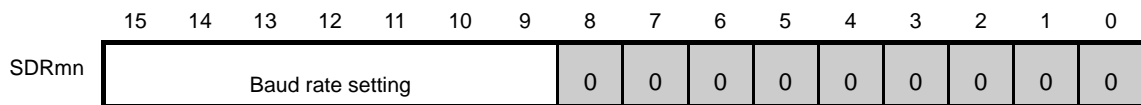


(b) Serial communication operation setting register mn (SCRmn)

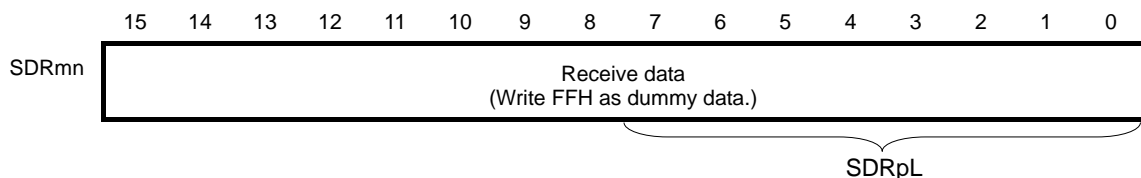


(c) Serial data register mn (SDRmn)

(1) When operation is stopped ($SEmn = 0$)



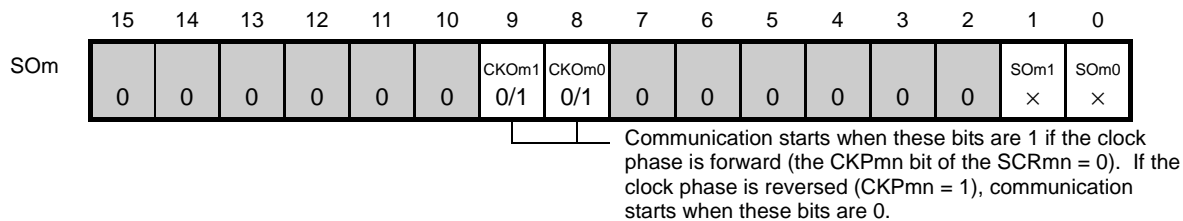
(2) When operation is in progress ($SEmn = 1$) (Lower 8 bits: SDRpL)



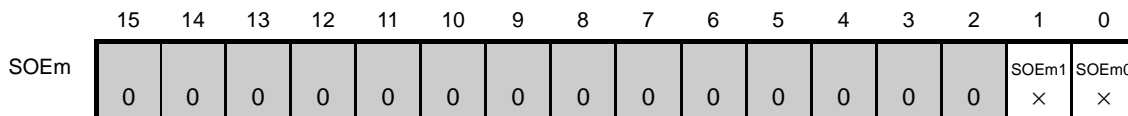
- Remarks**
- m: Unit number (m = 0, 1), n: Channel number (n = 0, 1), p: CSI number (p = 00, 01, 10, 11), mn = 00, 01, 10, 11
 - : Setting is fixed in the CSI master reception mode, ■: Setting disabled (set to the initial value)
 ×: Bit that cannot be used in this mode (set to the initial value when not used in any mode)
 0/1: Set to 0 or 1 depending on the usage of the user

Figure 15-118. Example of Contents of Registers for Master Reception of SPI Function (CSI00, CSI01, CSI10, CSI11) (2/2)

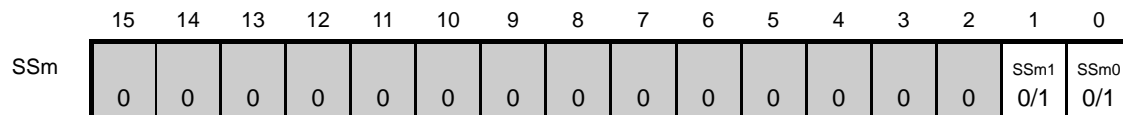
(d) Serial output register m (SOm) ... Sets only the bits of the target channel.



(e) Serial output enable register m (SOEm) ...The register that not used in this mode.



(f) Serial channel start register m (SSm) ... Sets only the bits of the target channel to 1.



- Remarks**
1. m: Unit number (m = 0, 1), n: Channel number (n = 0, 1), p: CSI number (p = 00, 01, 10, 11), mn = 00, 01, 10, 11
 2. : Setting is fixed in the CSI master reception mode, : Setting disabled (set to the initial value)
 ×: Bit that cannot be used in this mode (set to the initial value when not used in any mode)
 0/1: Set to 0 or 1 depending on the usage of the user

(2) Operation procedure

Figure 15-119. Initial Setting Procedure for Master Reception

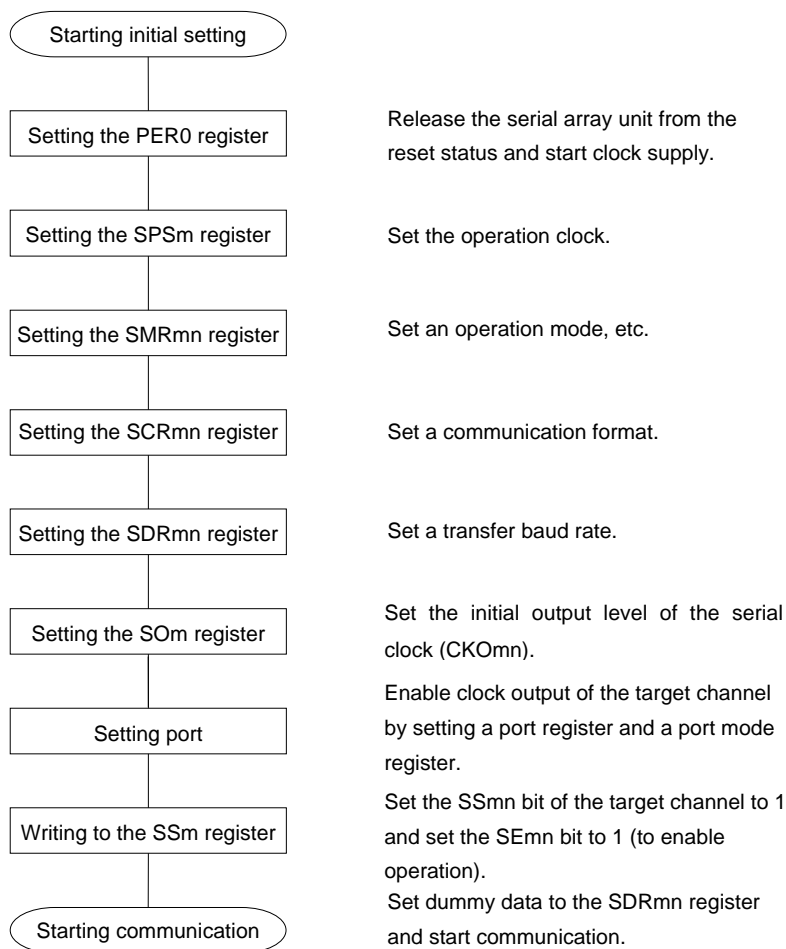
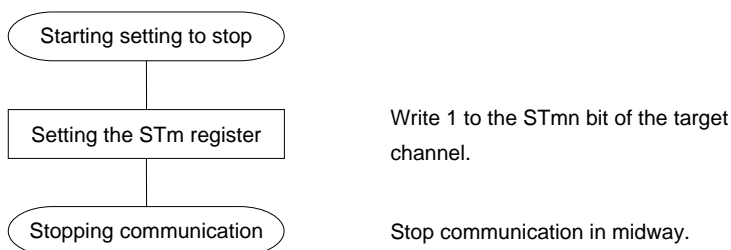
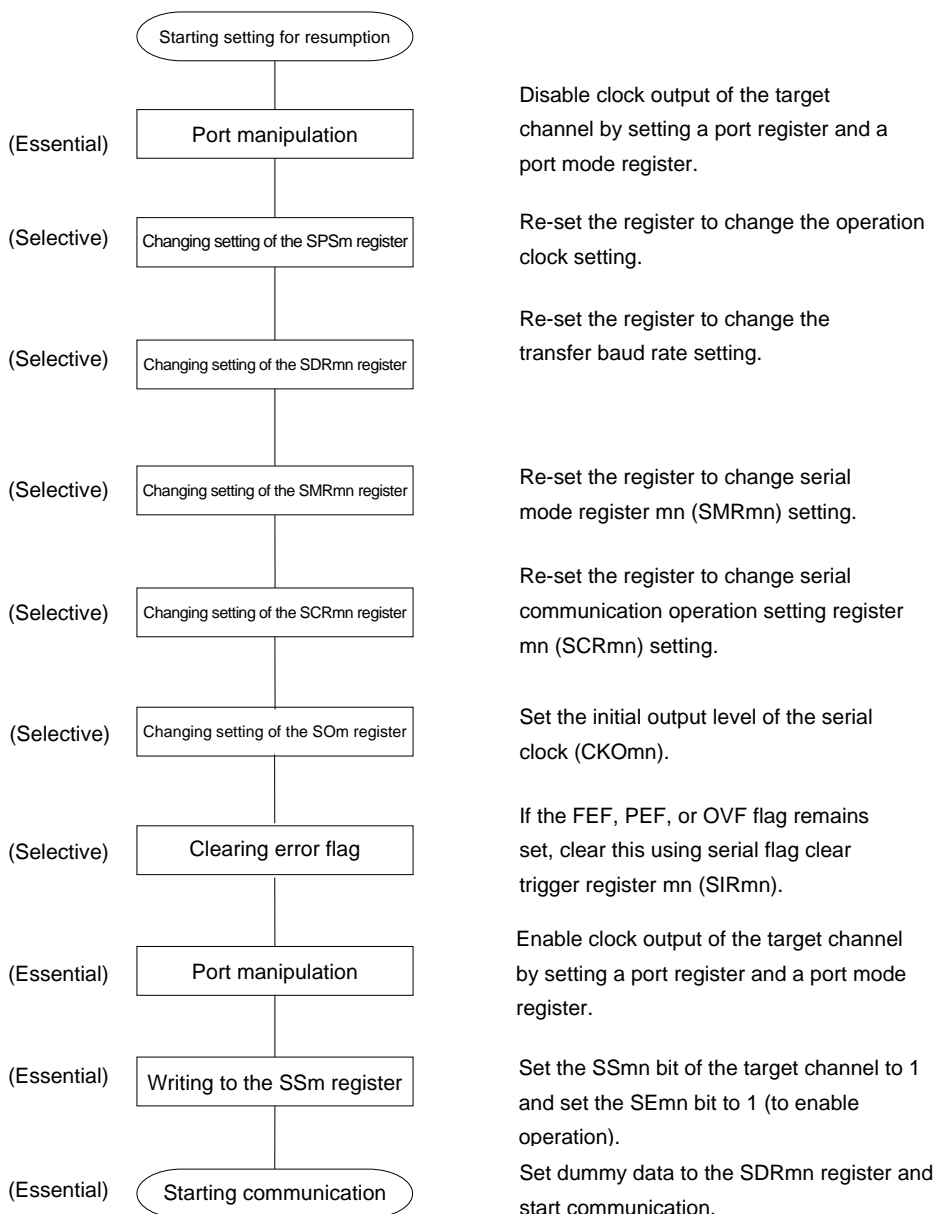


Figure 15-120. Procedure for Stopping Master Reception



- Remarks**
1. Even after communication is stopped, the pin level is retained. To resume the operation, re-set serial output register m (SOm) (see **Figure 15-121 Procedure for Resuming Master Reception**).
 2. m: Unit number (m = 0, 1), n: Channel number (n = 0, 1), mn = 00, 01, 10, 11

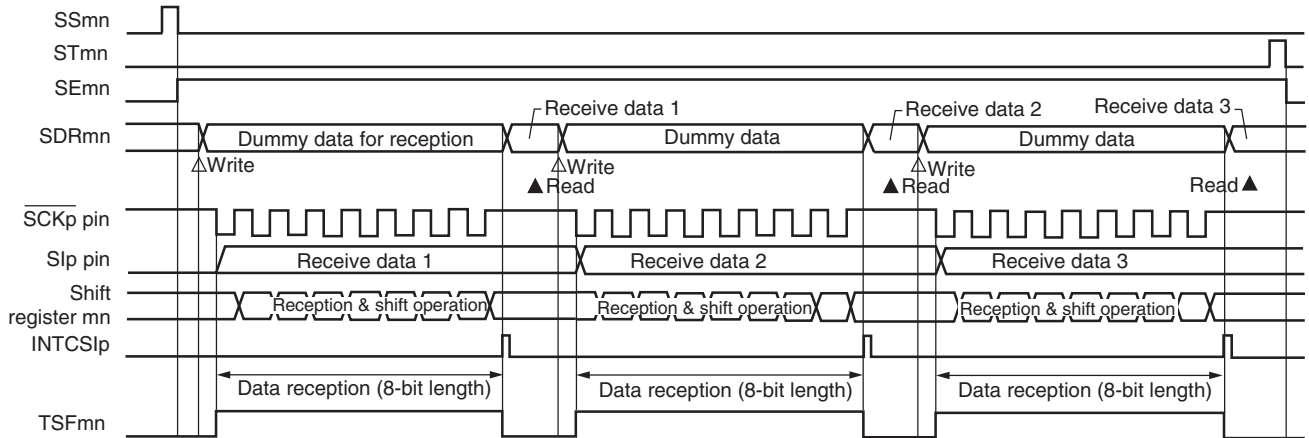
Figure 15-121. Procedure for Resuming Master Reception



Remark m: Unit number (m = 0, 1), n: Channel number (n = 0, 1), mn = 00, 01, 10, 11

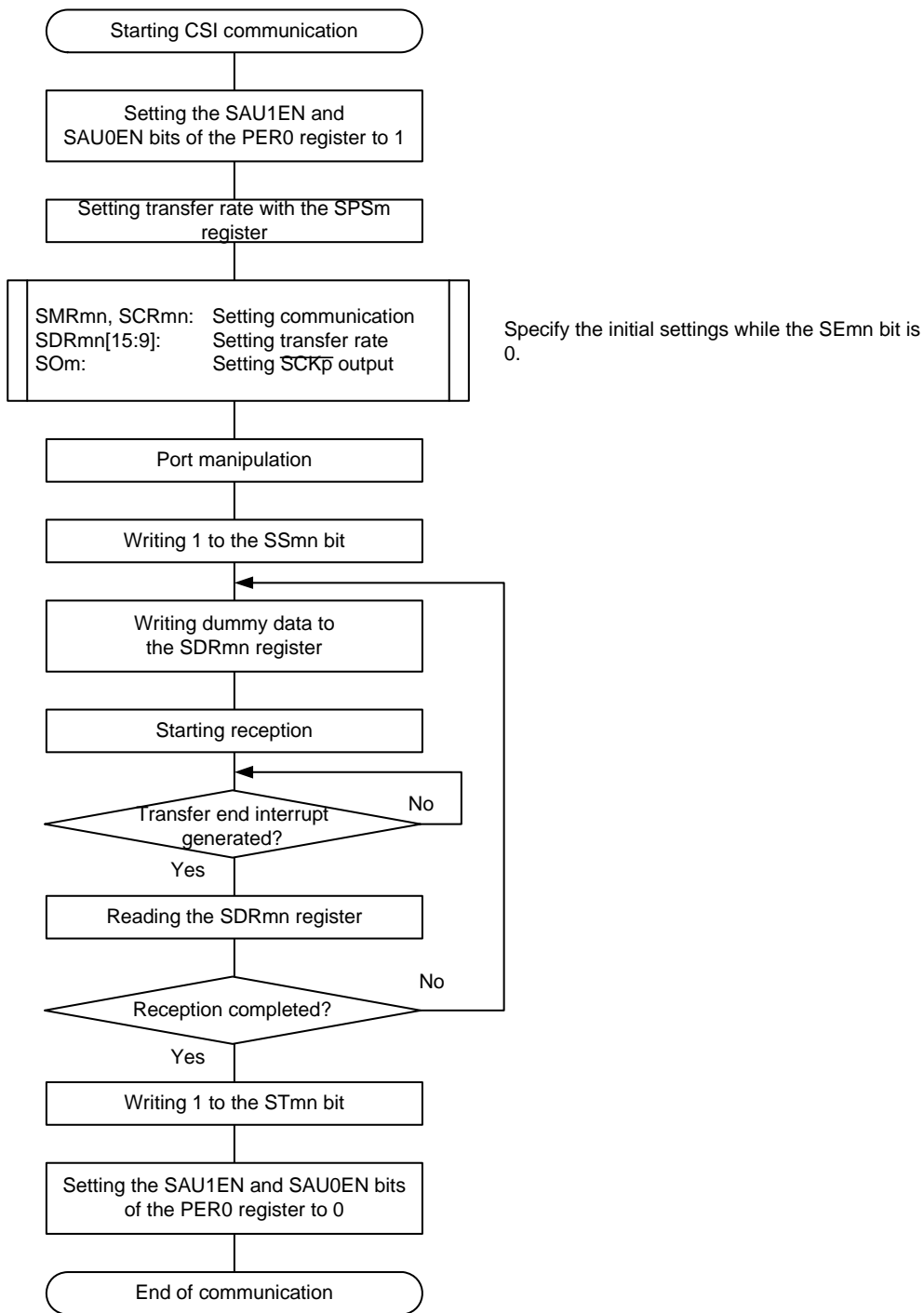
(3) Processing flow (in single-reception mode)

Figure 15-122. Timing Chart of Master Reception (in Single-Reception Mode)
 (Type 1: DAPmn = 0, CKPmn = 0)



Remark m: Unit number (m = 0, 1), n: Channel number (n = 0, 1), p: CSI number (p = 00, 01, 10, 11),
 mn = 00, 01, 10, 11

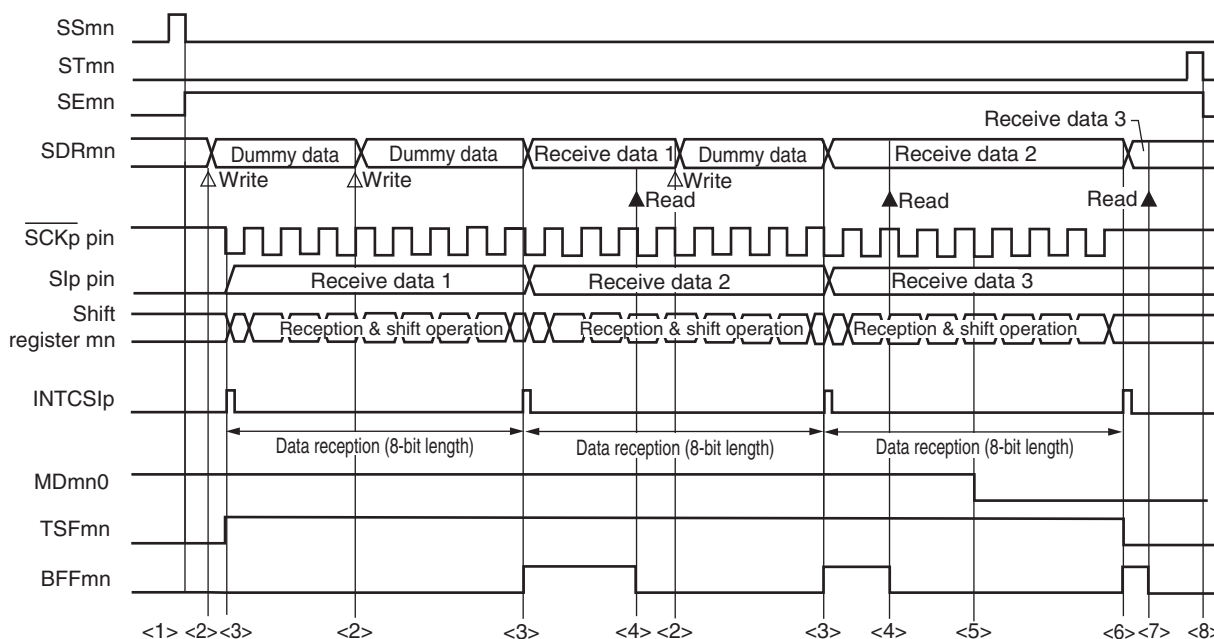
Figure 15-123. Flowchart of Master Reception (in Single-Reception Mode)



Remark m: Unit number (m = 0, 1), n: Channel number (n = 0, 1), p: CSI number (p = 00, 01, 10, 11), mn = 00, 01, 10, 11

(4) Processing flow (in continuous reception mode)

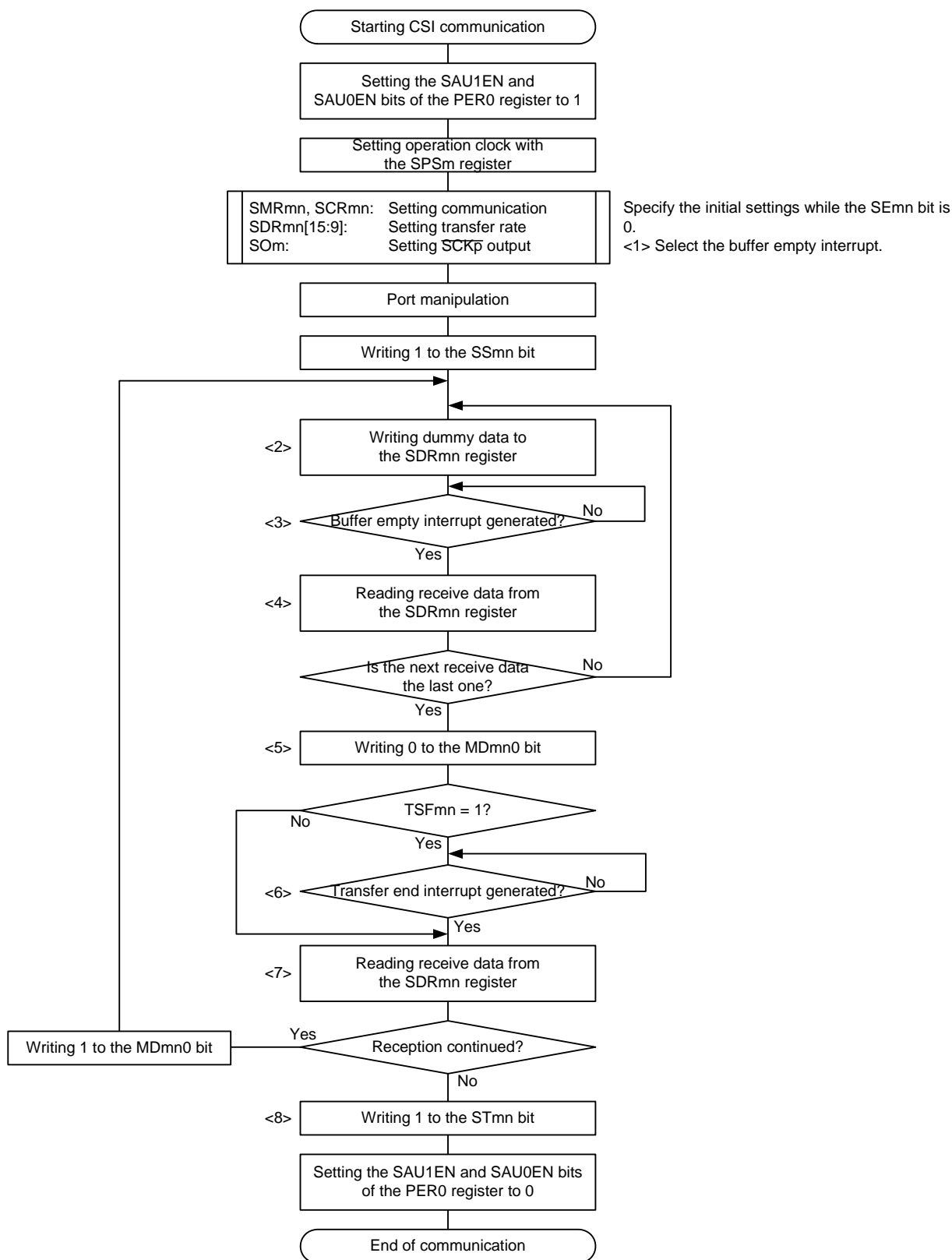
Figure 15-124. Timing Chart of Master Reception (in Continuous Reception Mode) (Type 1: DAPmn = 0, CKPmn = 0)



Caution The MDmn0 bit can be rewritten even during operation. However, rewrite it before receive of the last bit is started, so that it has been rewritten before the transfer end interrupt of the last receive data.

- Remarks 1.** <1> to <8> in the figure correspond to <1> to <8> in **Figure 15-125 Flowchart of Master Reception (in Continuous Reception Mode)**.
- 2.** m: Unit number (m = 0, 1), n: Channel number (n = 0, 1), p: CSI number (p = 00, 01, 10, 11), mn = 00, 01, 10, 11

Figure 15-125. Flowchart of Master Reception (in Continuous Reception Mode)



Remarks 1. <1> to <8> in the figure correspond to <1> to <8> in Figure 15-124 Timing Chart of Master Reception (in Continuous Reception Mode).

2. m: Unit number (m = 0, 1), n: Channel number (n = 0, 1), p: CSI number (p = 00, 01, 10, 11), mn = 00, 01, 10, 11

15.6.3 Master transmission/reception

Master transmission/reception is an operation wherein this MCU outputs a transfer clock and transmits/receives data to/from other device.

SPI Function	CSI00	CSI01	CSI10	CSI11
Target channel	Channel 0 of SAU0	Channel 1 of SAU0	Channel 0 of SAU1	Channel 1 of SAU1
Pins used	SCK00, SI00, SO00	SCK01, SI01, SO01	SCK10, SI10, SO10	SCK11, SI11, SO11
Interrupt	INTCSI00	INTCSI01	INTCSI10	INTCSI11
	Transfer end interrupt (in single-transfer mode) or buffer empty interrupt (in continuous transfer mode) can be selected.			
Error detection flag	Overrun error detection flag (OVFmn) only			
Transfer data length	7 to 16 bits			
Transfer rate	Max. $f_{MCK}/4$ [Hz], Min. $f_{CLK}/(2 \times 2^{11} \times 128)$ [Hz] ^{Note} f_{CLK} : System clock frequency			
Data phase	Selectable by the DAPmn bit of the SCRmn register <ul style="list-style-type: none"> • DAPmn = 0: Data I/O starts at the start of the serial clock operation. • DAPmn = 1: Data I/O starts half a clock before the start of the serial clock operation. 			
Clock phase	Selectable by the CKPmn bit of the SCRmn register <ul style="list-style-type: none"> • CKPmn = 0: Forward • CKPmn = 1: Reverse 			
Data direction	MSB or LSB first			

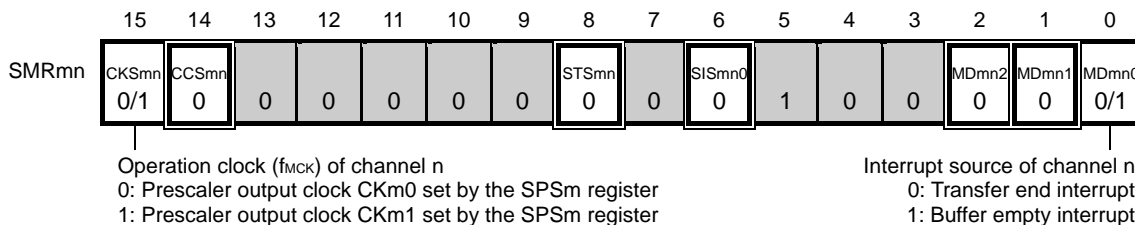
Note Use this operation within a range that satisfies the conditions above and the AC characteristics in the electrical specifications.

Remark m: Unit number (m = 0, 1), n: Channel number (n = 0, 1), mn = 00, 01, 10, 11

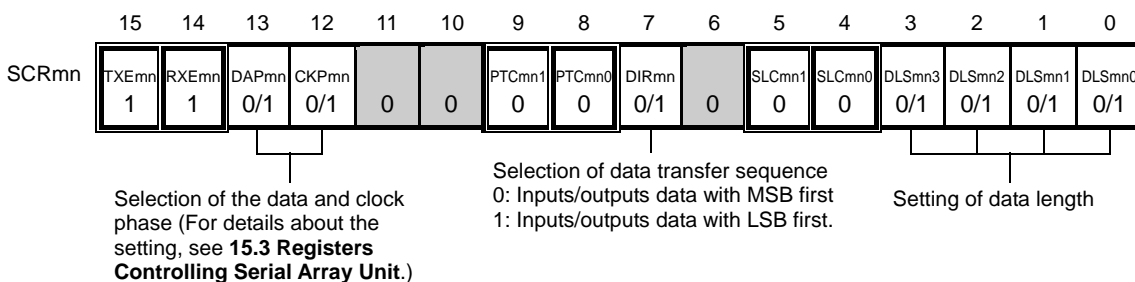
(1) Register setting

Figure 15-126. Example of Contents of Registers for Master Transmission/Reception of SPI Function (CSI00, CSI01, CSI10, CSI11) (1/2)

(a) Serial mode register mn (SMRmn)

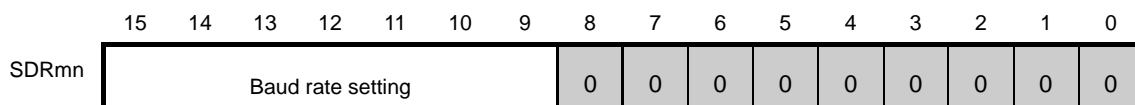


(b) Serial communication operation setting register mn (SCRmn)

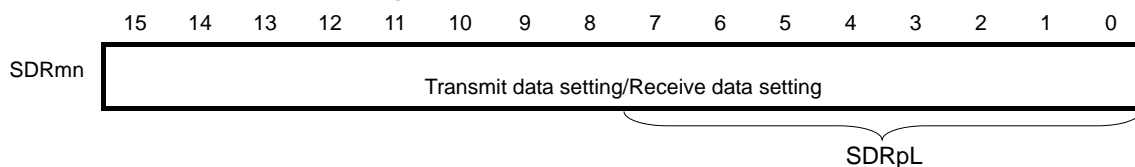


(c) Serial data register mn (SDRmn)

(1) When operation is stopped (SEmn = 0)



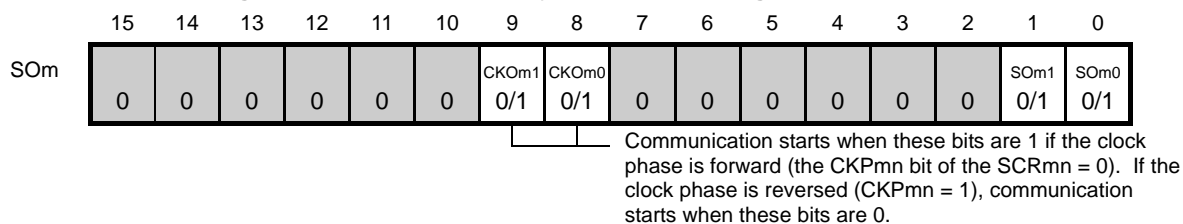
(2) When operation is in progress (SEmn = 1) (Lower 8 bits: SDRpL)



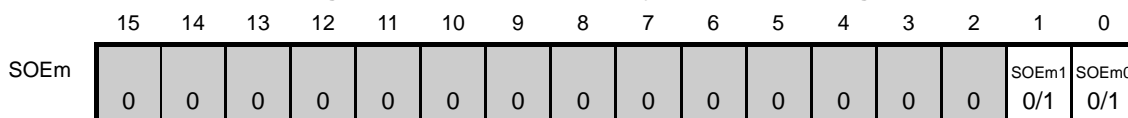
- Remarks**
- m: Unit number (m = 0, 1), n: Channel number (n = 0, 1), p: CSI number (p = 00, 01, 10, 11), mn = 00, 01, 10, 11
 - : Setting is fixed in the CSI master transmission/reception mode
 ■: Setting disabled (set to the initial value)
 0/1: Set to 0 or 1 depending on the usage of the user

Figure 15-126. Example of Contents of Registers for Master Transmission/Reception of SPI Function (CSI00, CSI01, CSI10, CSI11) (2/2)

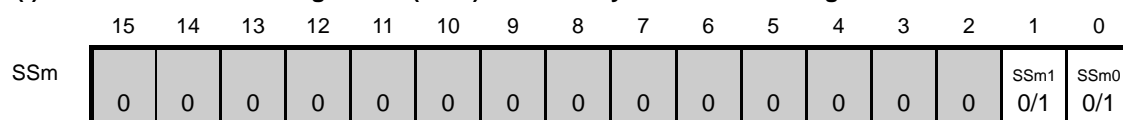
(d) Serial output register m (SOm) ... Sets only the bits of the target channel.



(e) Serial output enable register m (SOEm) ... Sets only the bits of the target channel to 1.



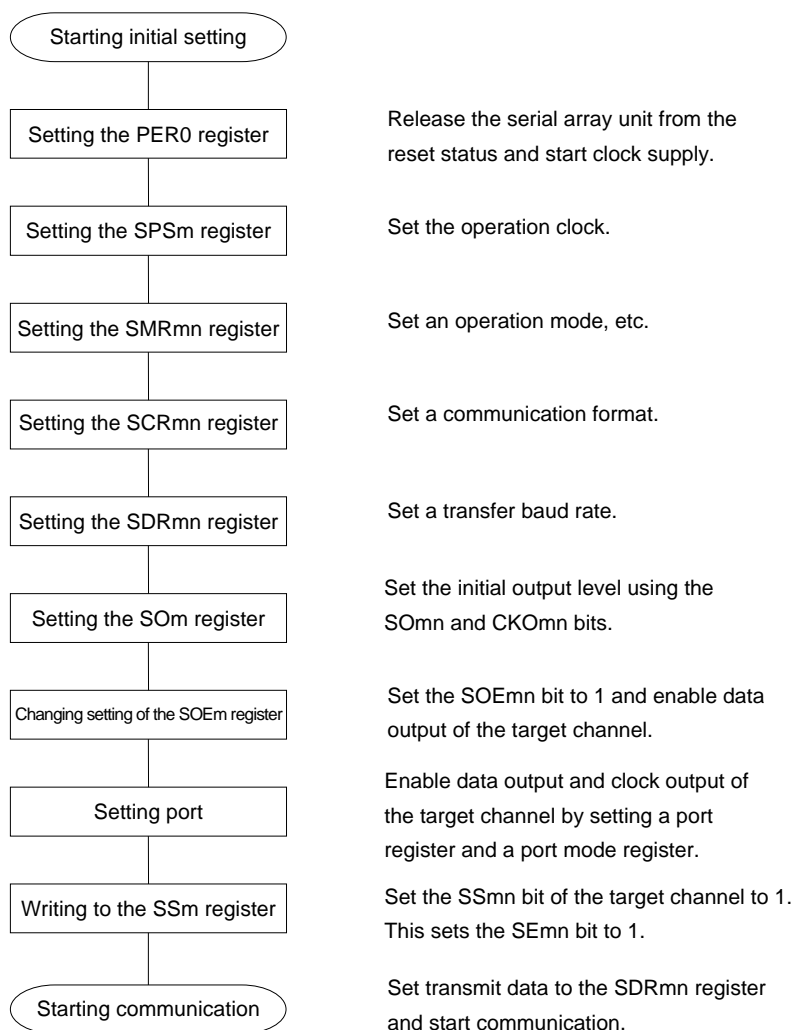
(f) Serial channel start register m (SSm) ... Sets only the bits of the target channel to 1.



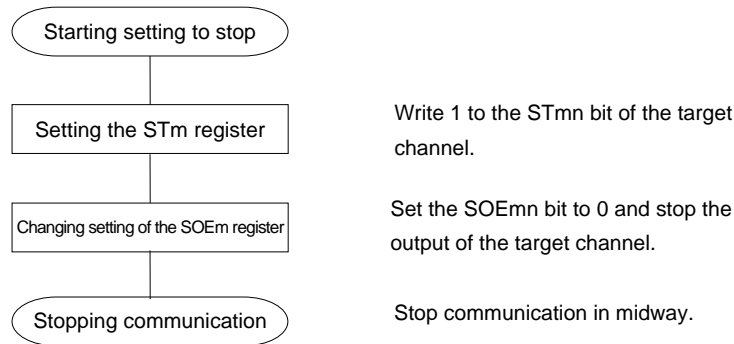
- Remarks 1.** m: Unit number (m = 0, 1), n: Channel number (n = 0, 1), p: CSI number (p = 00, 01, 10, 11), mn = 00, 01, 10, 11
- 2.** : Setting is fixed in the CSI master transmission/reception mode
: Setting disabled (set to the initial value)
 0/1: Set to 0 or 1 depending on the usage of the user

(2) Operation procedure

Figure 15-127. Initial Setting Procedure for Master Transmission/Reception



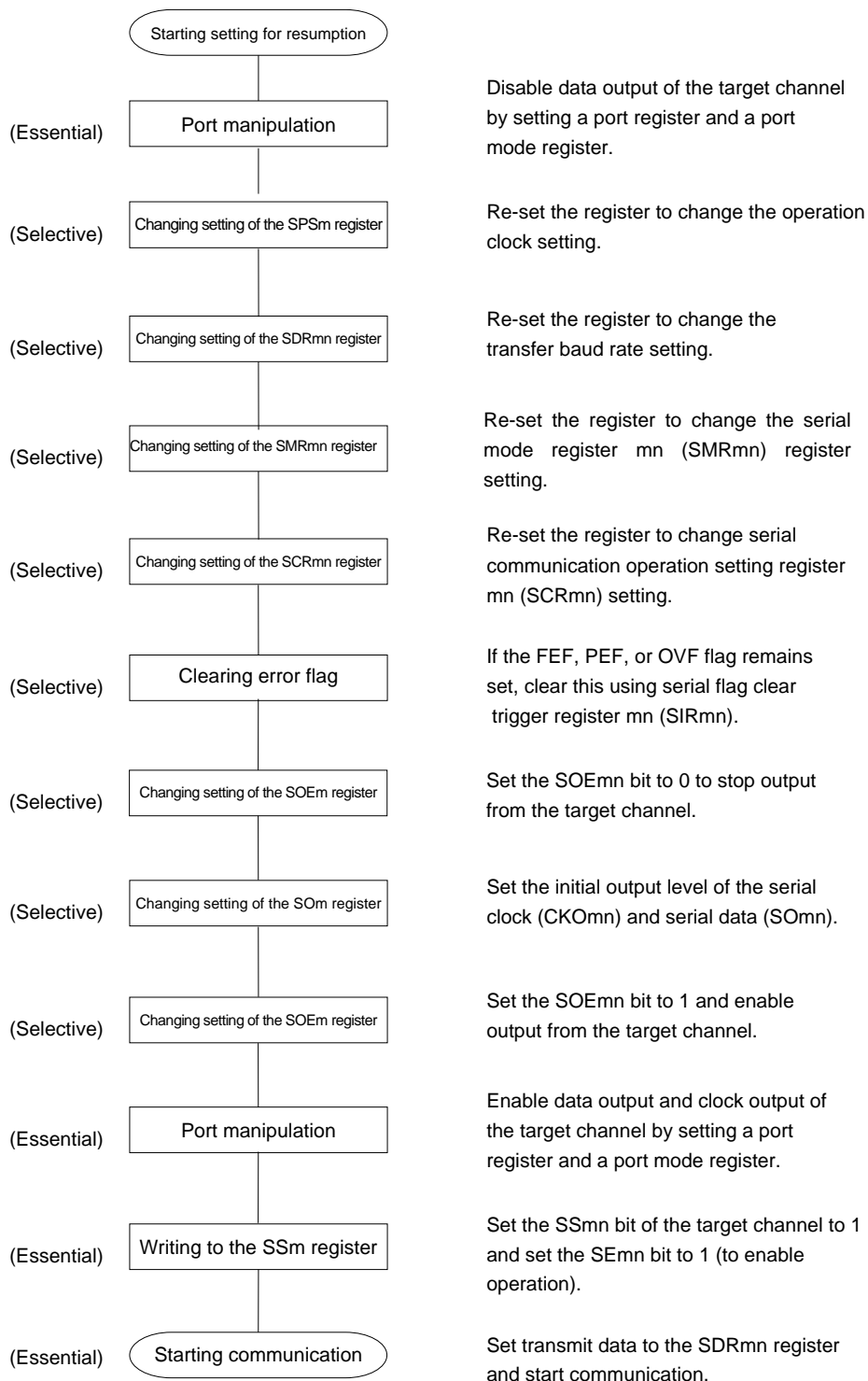
Remark m: Unit number (m = 0, 1), n: Channel number (n = 0, 1), p: CSI number (p = 00, 01, 10, 11), mn = 00, 01, 10, 11

Figure 15-128. Procedure for Stopping Master Transmission/Reception

Remarks 1. Even after communication is stopped, the pin level is retained. To resume the operation, re-set serial output register m (SOm) (see **Figure 15-129 Procedure for Resuming Master Transmission/Reception**).

- 2.** m: Unit number (m = 0, 1), n: Channel number (n = 0, 1), p: CSI number (p = 00, 01, 10, 11), mn = 00, 01, 10, 11

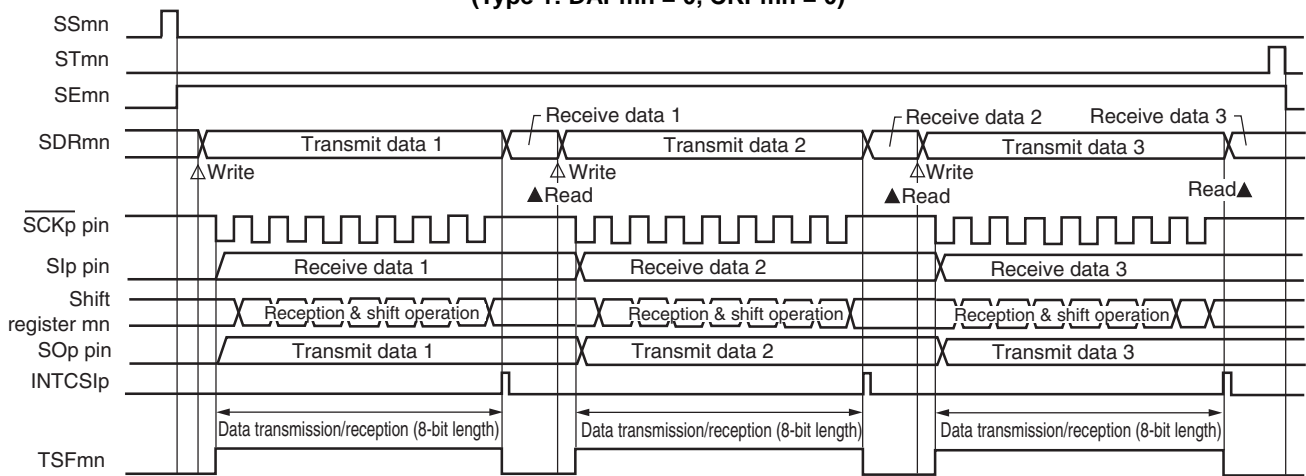
Figure 15-129. Procedure for Resuming Master Transmission/Reception



Remark m: Unit number (m = 0, 1), n: Channel number (n = 0, 1), mn = 00, 01, 10, 11

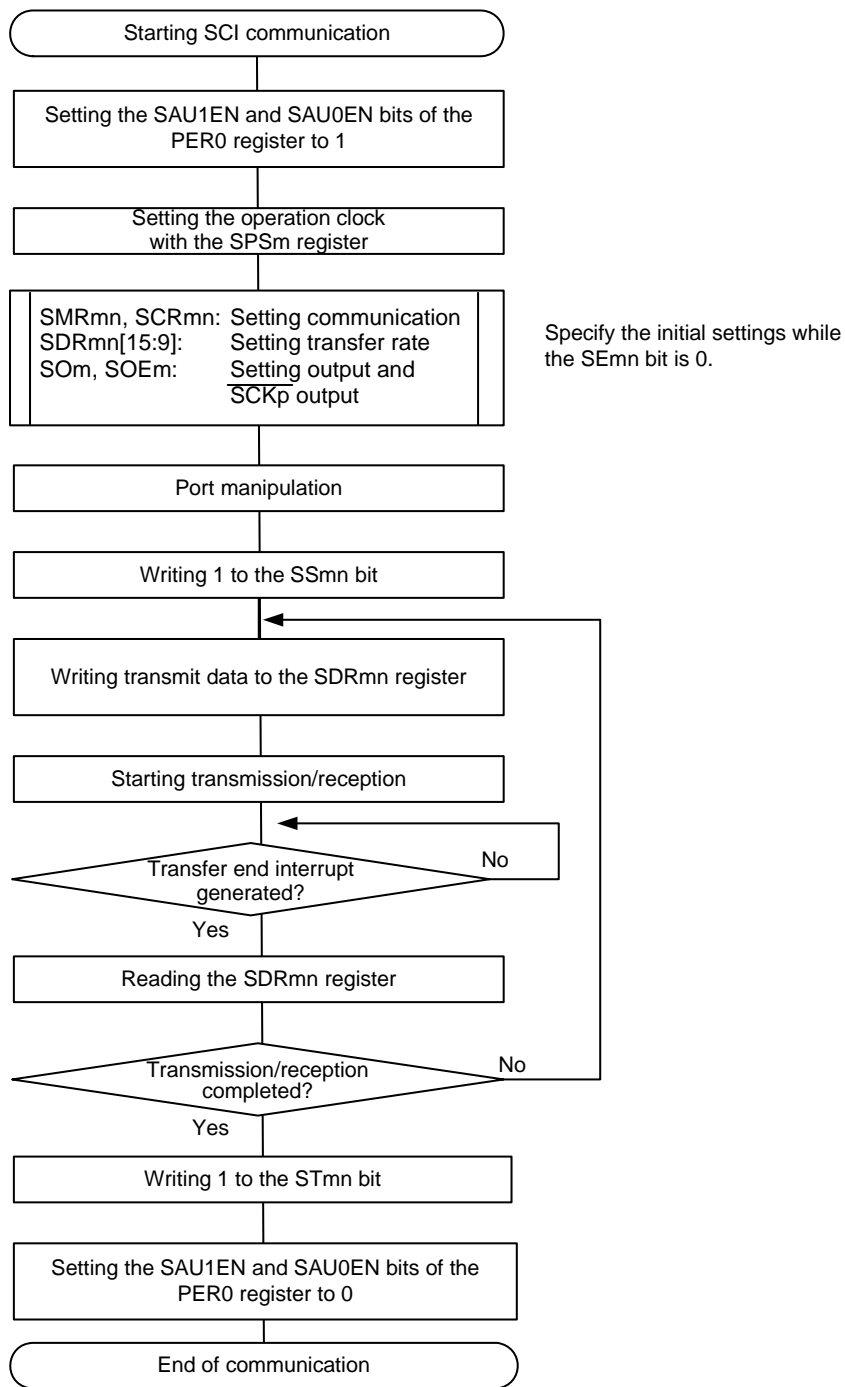
(3) Processing flow (in single-transmission/reception mode)

Figure 15-130. Timing Chart of Master Transmission/Reception (in Single-Transmission/Reception Mode)
 (Type 1: DAPmn = 0, CKPmn = 0)



Remark m: Unit number (m = 0, 1), n: Channel number (n = 0, 1), p: CSI number (p = 00, 01, 10, 11),
 mn = 00, 01, 10, 11

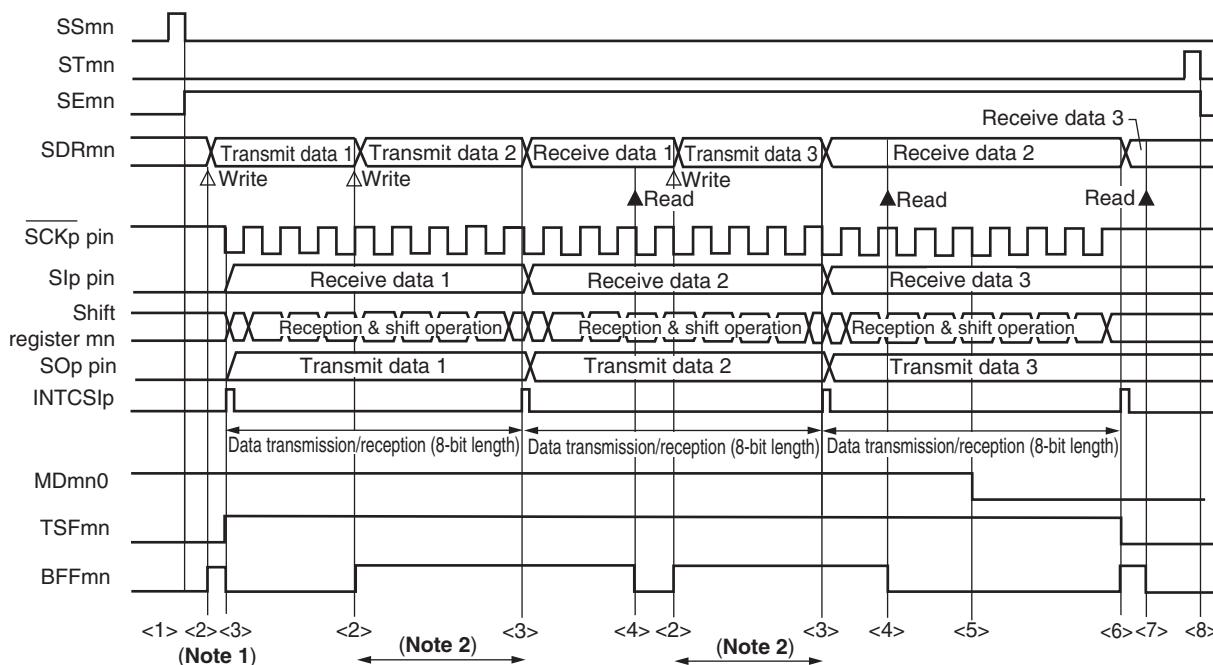
Figure 15-131. Flowchart of Master Transmission/Reception (in Single- Transmission/Reception Mode)



Remark m: Unit number (m = 0, 1), n: Channel number (n = 0, 1), p: CSI number (p = 00, 01, 10, 11), mn = 00, 01, 10, 11

(4) Processing flow (in continuous transmission/reception mode)

Figure 15-132. Timing Chart of Master Transmission/Reception (in Continuous Transmission/Reception Mode)
(Type 1: DAPmn = 0, CKPmn = 0)

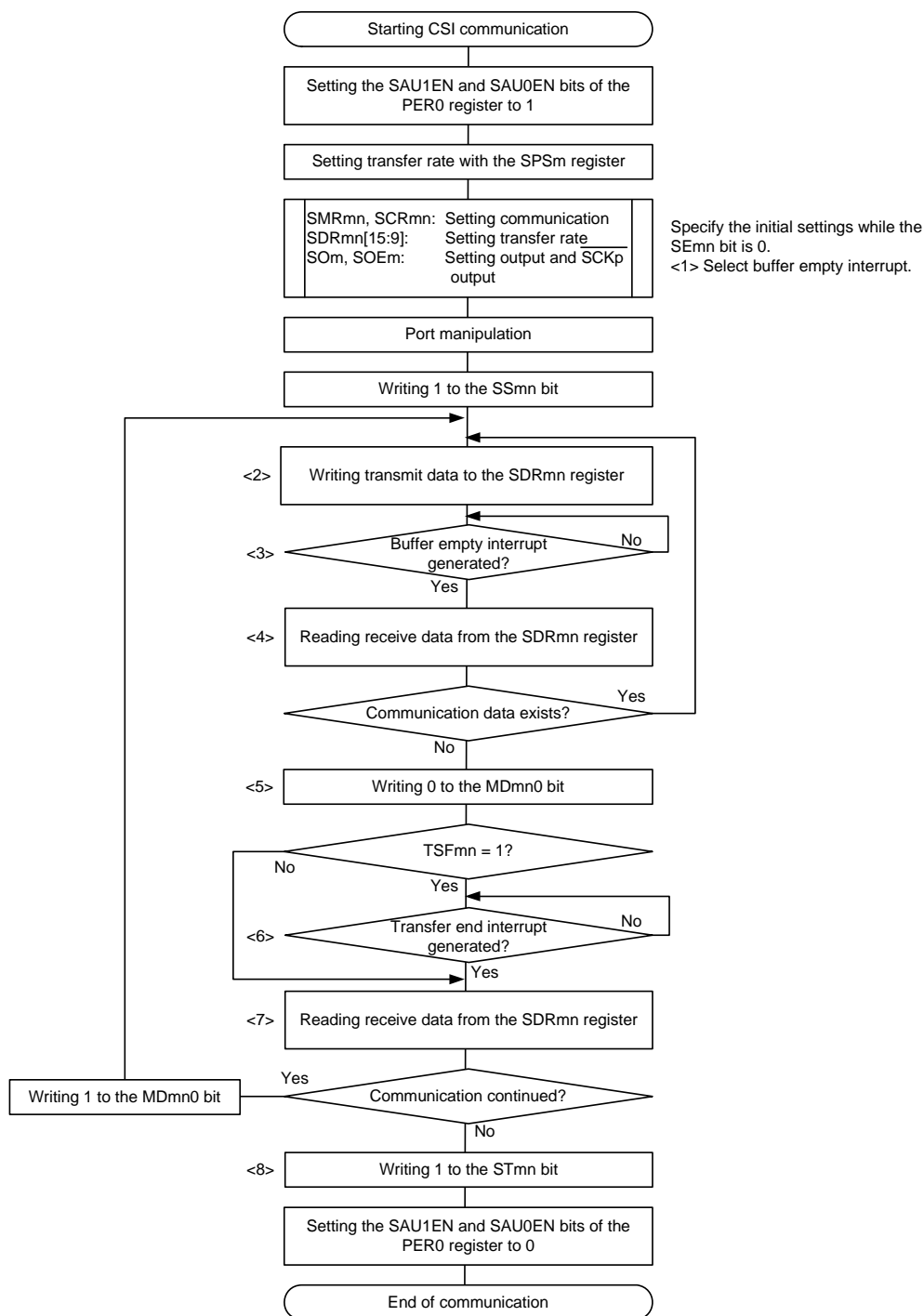


- Notes**
1. If transmit data is written to the SDRmn register while the BFFmn bit of serial status register mn (SSRmn) is 1 (valid data is stored in serial data register mn (SDRmn)), the transmit data is overwritten.
 2. The transmit data can be read by reading the SDRmn register during this period. At this time, the transfer operation is not affected.

Caution The MDmn0 bit of serial mode register mn (SMRmn) can be rewritten even during operation. However, rewrite it before transfer of the last bit is started, so that it has been rewritten before the transfer end interrupt of the last transmit data.

- Remarks**
1. <1> to <8> in the figure correspond to <1> to <8> in Figure 15-133 Flowchart of Master Transmission/Reception (in Continuous Transmission/Reception Mode).
 2. m: Unit number (m = 0, 1), n: Channel number (n = 0, 1), p: CSI number (p = 00, 01, 10, 11), mn = 00, 01, 10, 11

Figure 15-133. Flowchart of Master Transmission/Reception (in Continuous Transmission/Reception Mode)



Remarks 1. <1> to <8> in the figure correspond to <1> to <8> in Figure 15-132 Timing Chart of Master Transmission/Reception (in Continuous Transmission/Reception Mode).

2. m: Unit number (m = 0, 1), n: Channel number (n = 0, 1), p: CSI number (p = 00, 01, 10, 11), mn = 00, 01, 10, 11

15.6.4 Slave transmission

Slave transmission is an operation wherein this MCU transmits data to another device in the state of a transfer clock being input from another device.

SPI Function	CSI00	CSI01	CSI10	CSI11
Target channel	Channel 0 of SAU0	Channel 1 of SAU0	Channel 0 of SAU1	Channel 1 of SAU1
Pins used	$\overline{\text{SCK00}}$, $\overline{\text{SO00}}$, $\overline{\text{SSI00}}$	$\overline{\text{SCK01}}$, $\overline{\text{SO01}}$, $\overline{\text{SSI01}}$	$\overline{\text{SCK10}}$, $\overline{\text{SO10}}$, $\overline{\text{SSI10}}$	$\overline{\text{SCK11}}$, $\overline{\text{SO11}}$, $\overline{\text{SSI11}}$
Interrupt	INTCSI00	INTCSI01	INTCSI10	INTCSI11
	Transfer end interrupt (in single-transfer mode) or buffer empty interrupt (in continuous transfer mode) can be selected.			
Error detection flag	Overrun error detection flag (OVFmn) only			
Transfer data length	7 to 16 bits			
Transfer rate	Max. $f_{\text{MCK}}/6$ [Hz] ^{Notes 1, 2} .			
Data phase	Selectable by the DAPmn bit of the SCRmn register <ul style="list-style-type: none"> • DAPmn = 0: Data output starts from the start of the serial clock operation. • DAPmn = 1: Data output starts half a clock before the start of the serial clock operation. 			
Clock phase	Selectable by the CKPmn bit of the SCRmn register <ul style="list-style-type: none"> • CKPmn = 0: Forward • CKPmn = 1: Reverse 			
Data direction	MSB or LSB first			
SPI function	The operation of the slave select function can be selected.			

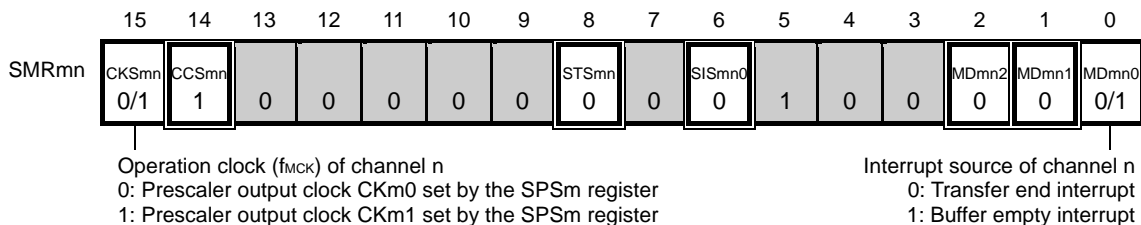
- Notes 1.** Because the external serial clock input to the $\overline{\text{SCK00}}$, $\overline{\text{SCK01}}$, $\overline{\text{SCK10}}$, and $\overline{\text{SCK11}}$ pins is sampled internally and used, the fastest transfer rate is $f_{\text{MCK}}/6$ [Hz].
- 2.** Use this operation within a range that satisfies the conditions above and the AC characteristics in the electrical specifications.

- Remarks 1.** f_{MCK} : Operation clock frequency of target channel
- 2.** m: Unit number (m = 0, 1), n: Channel number (n = 0, 1), mn = 00, 01, 10, 11

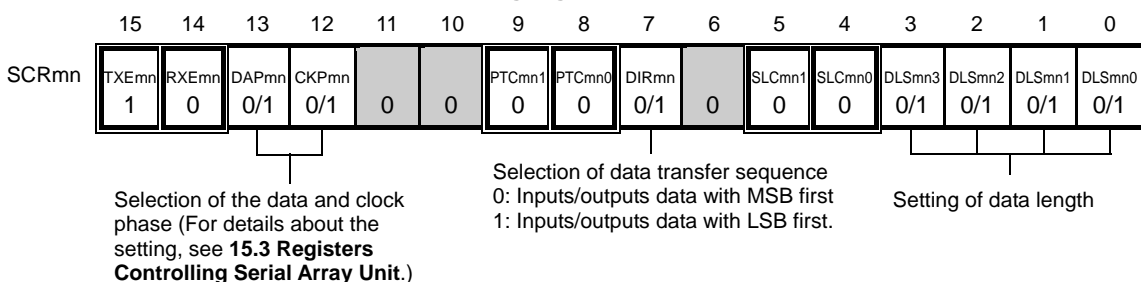
(1) Register setting

Figure 15-134. Example of Contents of Registers for Slave Transmission of SPI Function (CSI00, CSI01, CSI10, CSI11) (1/2)

(a) Serial mode register mn (SMRmn)



(b) Serial communication operation setting register mn (SCRmn)

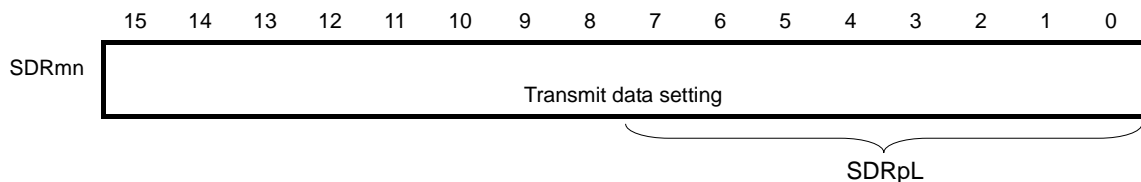


(c) Serial data register mn (SDRmn)

(1) When operation is stopped (SEmn = 0)



(2) When operation is in progress (SEmn = 1) (Lower 8 bits: SDRpL)



- Remarks**
- m: Unit number (m = 0, 1), n: Channel number (n = 0, 1), p: CSI number (p = 00, 01, 10, 11), mn = 00, 01, 10, 11
 - | | |
|--------------------------|---|
| <input type="checkbox"/> | : Setting is fixed in the CSI slave transmission mode |
| <input type="checkbox"/> | : Setting disabled (set to the initial value) |
| × | : Bit that cannot be used in this mode (set to the initial value when not used in any mode) |
| 0/1 | : Set to 0 or 1 depending on the usage of the user |

Figure 15-134. Example of Contents of Registers for Slave Transmission of SPI Function (CSI00, CSI01, CSI10, CSI11) (2/2)

(d) Serial slave select enable register m (SSEm) ... Controls the $\overline{\text{SSI00}}$, $\overline{\text{SSI01}}$, $\overline{\text{SSI10}}$, and $\overline{\text{SSI11}}$ pin inputs of the target channel in slave mode.

	15	14	13	12	11	10	9	8	7	6	5	4	3	2	1	0
SSEm	0	0	0	0	0	0	0	0	0	0	0	0	0	0	SSEm1 0/1	SSEm0 0/1

(e) Serial output register m (SOM) ... Sets only the bits of the target channel.

	15	14	13	12	11	10	9	8	7	6	5	4	3	2	1	0	
SOM	0	0	0	0	0	0	CKOm1 ×	CKOm0 ×	0	0	0	0	0	0	0	SOM1 0/1	SOM0 0/1

(f) Serial output enable register m (SOEm) ... Sets only the bits of the target channel to 1.

	15	14	13	12	11	10	9	8	7	6	5	4	3	2	1	0	
SOEm	0	0	0	0	0	0	0	0	0	0	0	0	0	0	0	SOEm1 0/1	SOEm0 0/1

(g) Serial channel start register m (SSm) ... Sets only the bits of the target channel to 1.

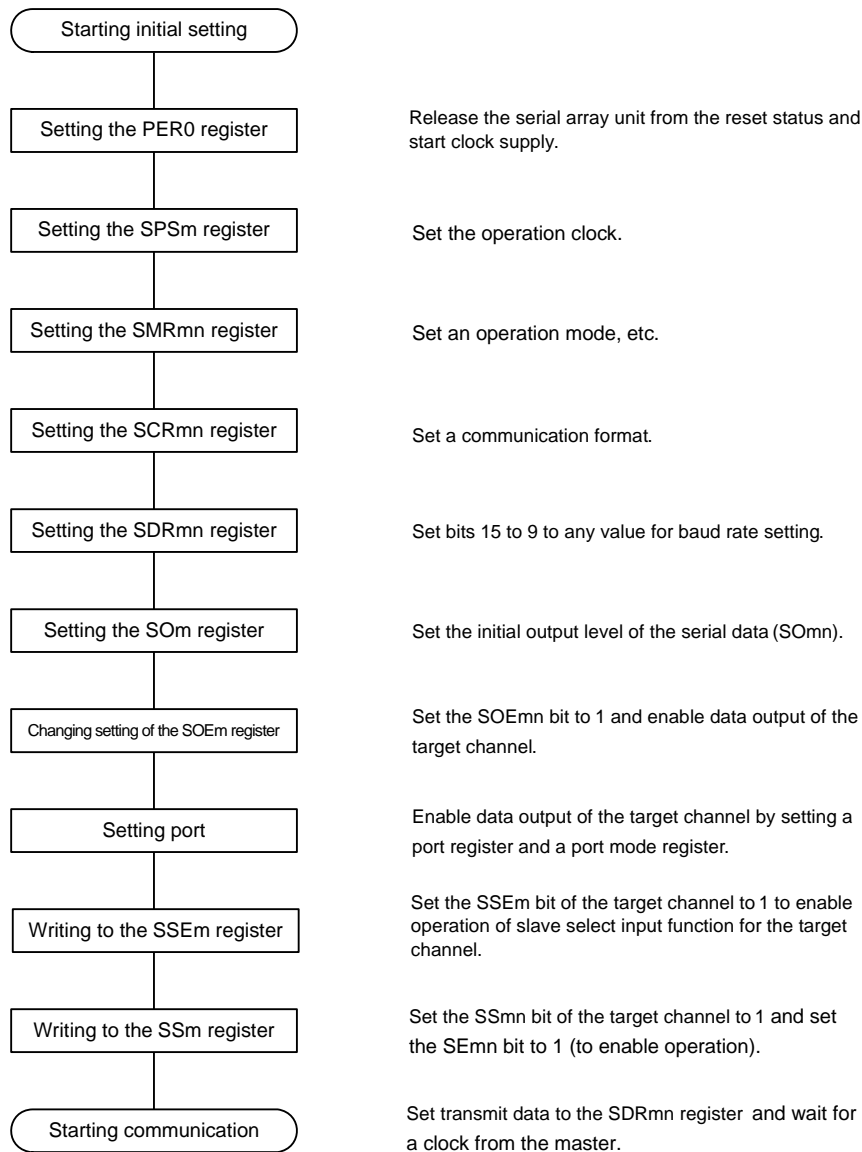
	15	14	13	12	11	10	9	8	7	6	5	4	3	2	1	0	
SSm	0	0	0	0	0	0	0	0	0	0	0	0	0	0	0	SSm1 0/1	SSm0 0/1

Remarks 1. m: Unit number (m = 0, 1), n: Channel number (n = 0, 1), p: CSI number (p = 00, 01, 10, 11), mn = 00, 01, 10, 11

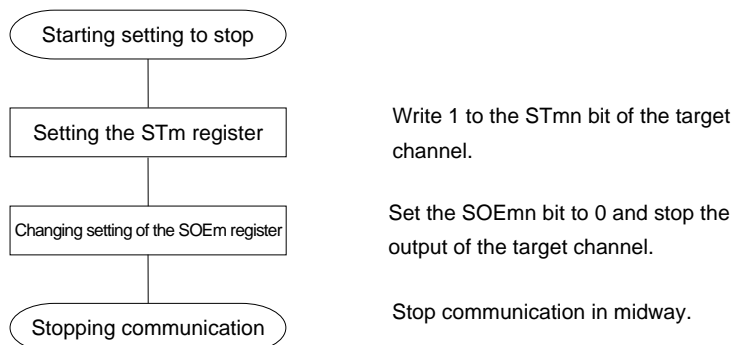
- : Setting is fixed in the CSI slave transmission mode
 - : Setting disabled (set to the initial value)
 - ×
 - 0/1 : Set to 0 or 1 depending on the usage of the user

(2) Operation procedure

Figure 15-135. Initial Setting Procedure for Slave Transmission

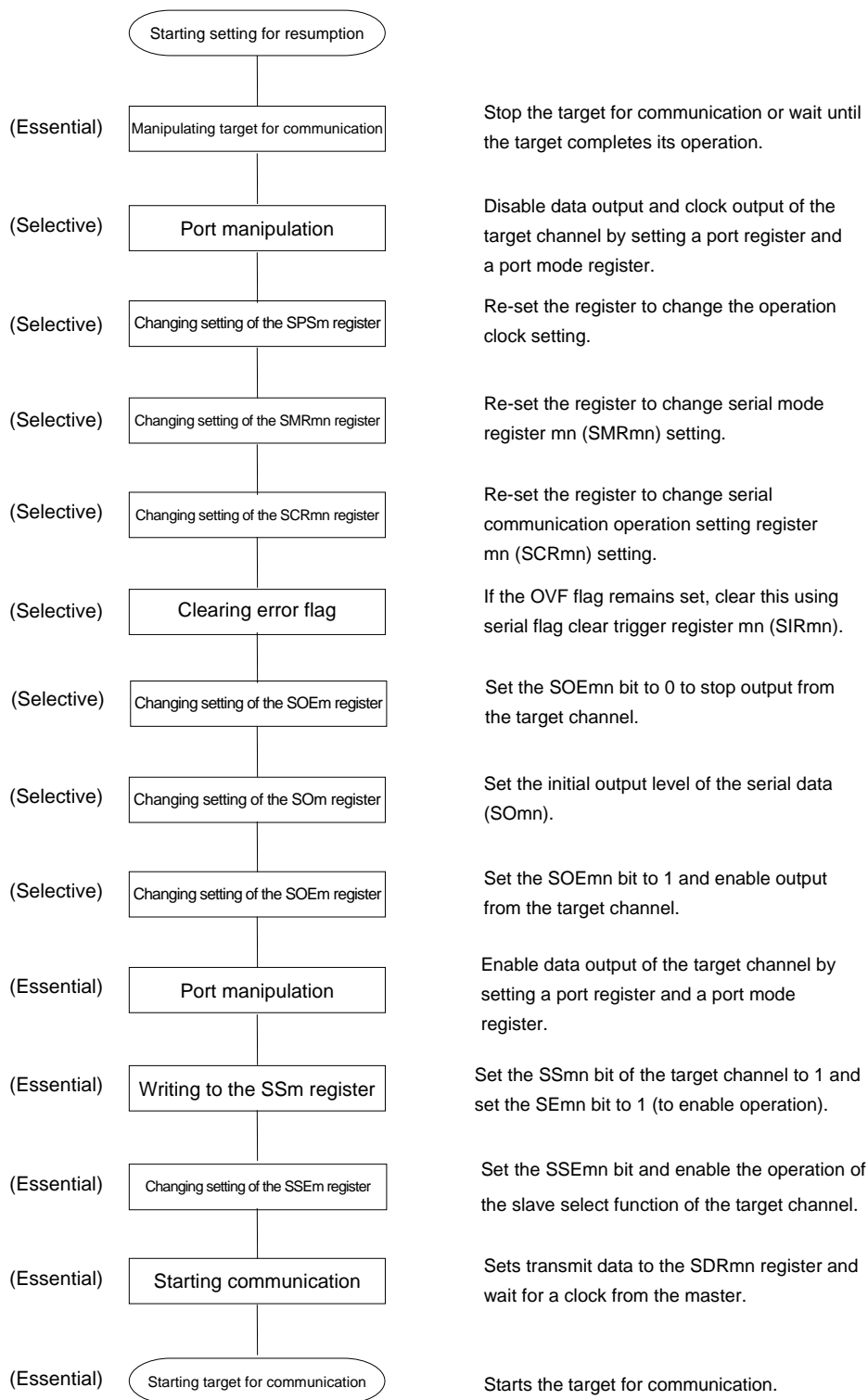


Remark m: Unit number (m = 0, 1), n: Channel number (n = 0, 1), p: CSI number (p = 00, 01, 10, 11), mn = 00, 01, 10, 11

Figure 15-136. Procedure for Stopping Slave Transmission

- Remarks 1.** Even after communication is stopped, the pin level is retained. To resume the operation, re-set serial output register m (SOM) (see **Figure 15-137 Procedure for Resuming Slave Transmission**).
- 2.** m: Unit number (m = 0, 1), n: Channel number (n = 0, 1), p: CSI number (p = 00, 01, 10, 11), mn = 00, 01, 10, 11

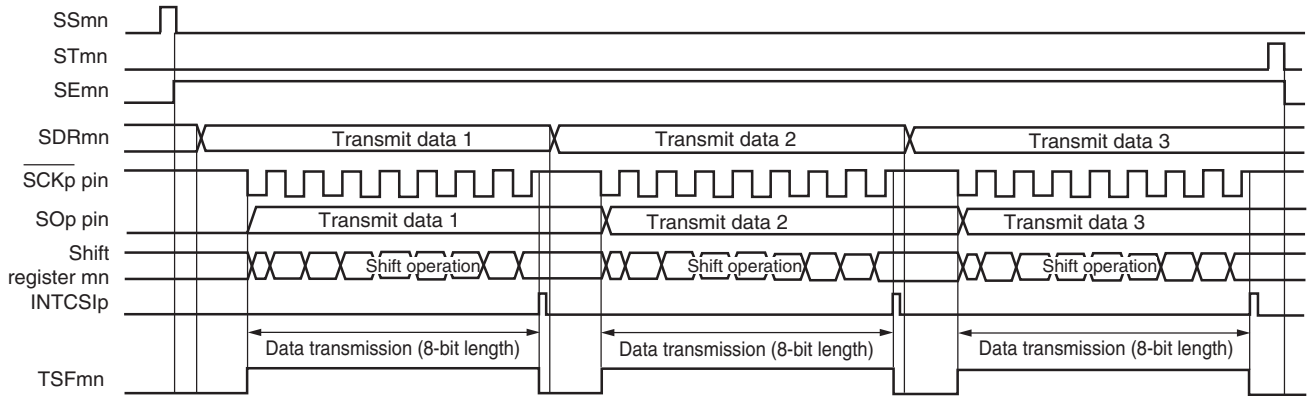
Figure 15-137. Procedure for Resuming Slave Transmission



Remark m: Unit number (m = 0, 1), n: Channel number (n = 0, 1), mn = 00, 01, 10, 11

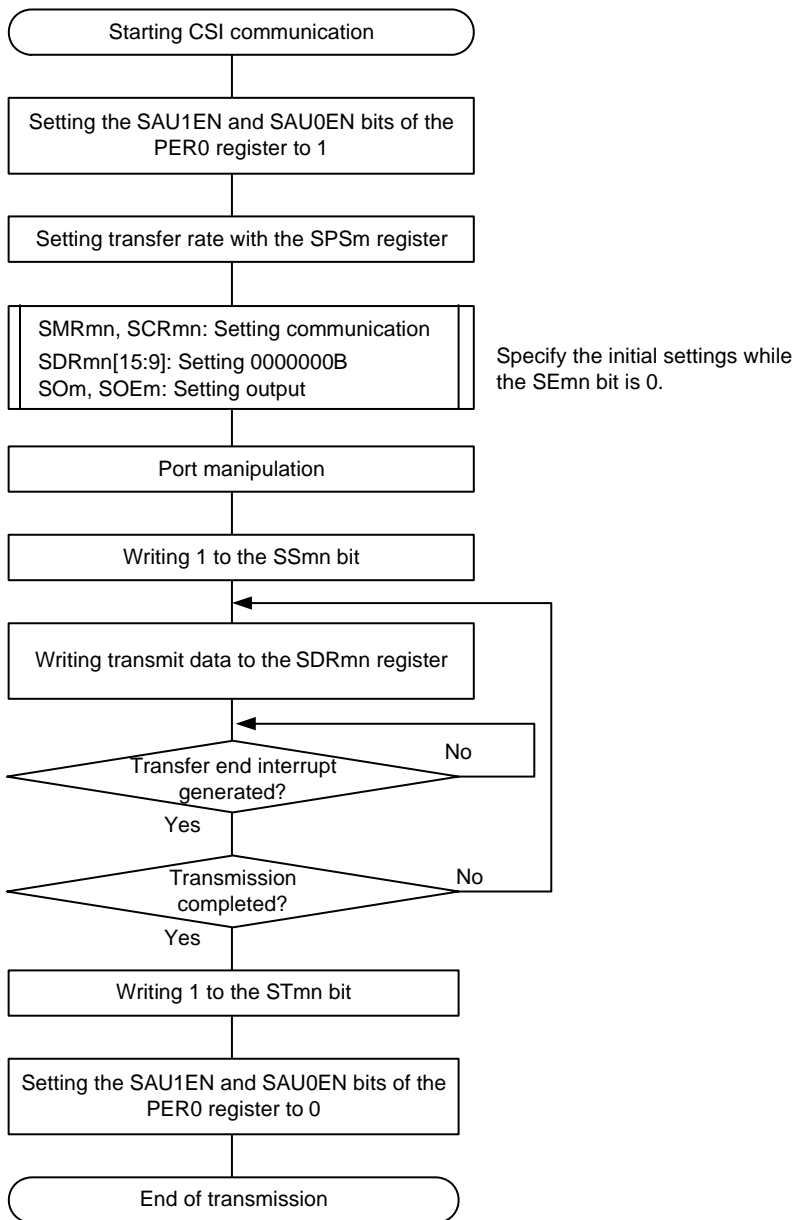
(3) Processing flow (in single-transmission mode)

Figure 15-138. Timing Chart of Slave Transmission (in Single-Transmission Mode)
(Type 1: DAPmn = 0, CKPmn = 0)



Remark m: Unit number (m = 0, 1), n: Channel number (n = 0, 1), p: CSI number (p = 00, 01, 10, 11),
mn = 00, 01, 10, 11

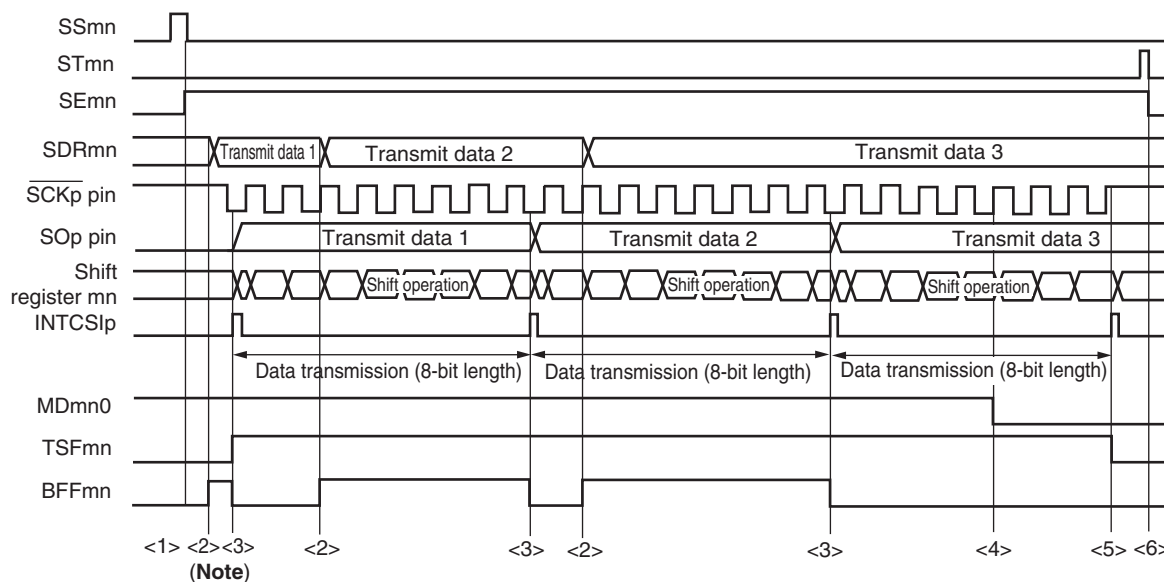
Figure 15-139. Flowchart of Slave Transmission (in Single-Transmission Mode)



Remark m: Unit number (m = 0, 1), n: Channel number (n = 0, 1), mn = 00, 01, 10, 11

(4) Processing flow (in continuous transmission mode)

Figure 15-140. Timing Chart of Slave Transmission (in Continuous Transmission Mode)
(Type 1: DAPmn = 0, CKPmn = 0)

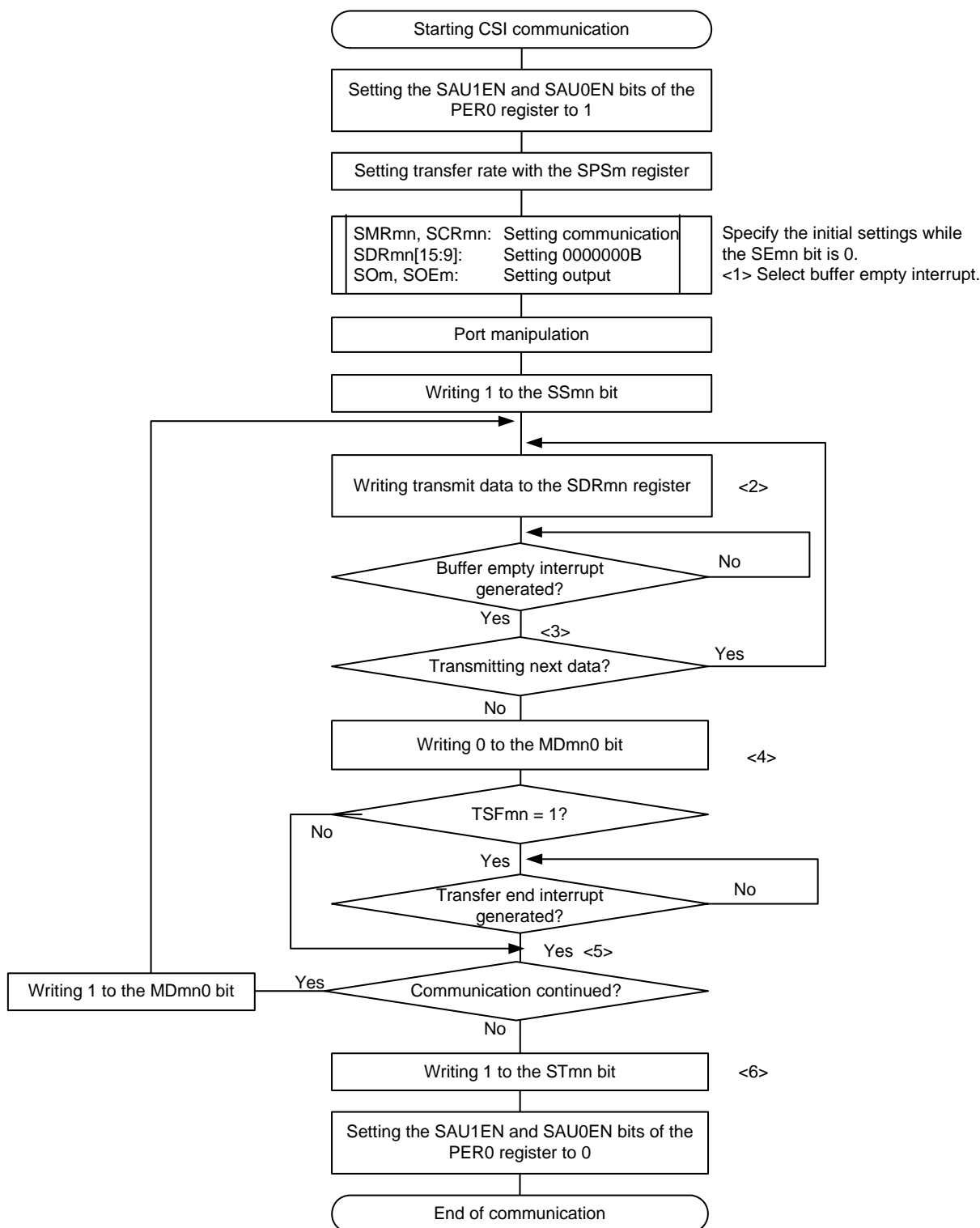


Note If transmit data is written to the SDRmn register while the BFFmn bit of serial status register mn (SSRmn) is 1 (valid data is stored in serial data register mn (SDRmn)), the transmit data is overwritten.

Caution The MDmn0 bit of serial mode register mn (SMRmn) can be rewritten even during operation. However, rewrite it before transfer of the last bit is started.

Remark m: Unit number (m = 0, 1), n: Channel number (n = 0, 1), p: CSI number (p = 00, 01, 10, 11), mn = 00, 01, 10, 11

Figure 15-141. Flowchart of Slave Transmission (in Continuous Transmission Mode)



Remarks 1. <1> to <6> in the figure correspond to <1> to <6> in Figure 15-140 Timing Chart of Slave Transmission (in Continuous Transmission Mode).

2. m: Unit number (m = 0, 1), n: Channel number (n = 0, 1), p: CSI number (p = 00, 01, 10, 11), mn = 00, 01, 10, 11

15.6.5 Slave reception

Slave reception is an operation wherein this MCU receives data from another device in the state of a transfer clock being input from another device.

SPI Function	CSI00	CSI01	CSI10	CSI11
Target channel	Channel 0 of SAU0	Channel 1 of SAU0	Channel 2 of SAU0	Channel 3 of SAU0
Pins used	$\overline{\text{SCK00}}$, $\overline{\text{SI00}}$, $\overline{\text{SII00}}$	$\overline{\text{SCK01}}$, $\overline{\text{SI01}}$, $\overline{\text{SII01}}$	$\overline{\text{SCK10}}$, $\overline{\text{SI10}}$, $\overline{\text{SII10}}$	$\overline{\text{SCK11}}$, $\overline{\text{SI11}}$, $\overline{\text{SII11}}$
Interrupt	INTCSI00	INTCSI01	INTCSI10	INTCSI11
	Transfer end interrupt only (Setting the buffer empty interrupt is prohibited.)			
Error detection flag	Overrun error detection flag (OVFmn) only			
Transfer data length	7 to 16 bits			
Transfer rate	Max. $f_{\text{MCK}}/6$ [Hz] ^{Notes 1, 2}			
Data phase	Selectable by the DAPmn bit of the SCRmn register <ul style="list-style-type: none"> • DAPmn = 0: Data input starts from the start of the serial clock operation. • DAPmn = 1: Data input starts half a clock before the start of the serial clock operation. 			
Clock phase	Selectable by the CKPmn bit of the SCRmn register <ul style="list-style-type: none"> • CKPmn = 0: Forward • CKPmn = 1: Reverse 			
Data direction	MSB or LSB first			
SPI function	The operation of the slave select function can be selected.			

Notes 1. Because the external serial clock input to the $\overline{\text{SCK00}}$, $\overline{\text{SCK01}}$, $\overline{\text{SCK10}}$, and $\overline{\text{SCK11}}$ pins is sampled internally and used, the fastest transfer rate is $f_{\text{MCK}}/6$ [Hz].

2. Use this operation within a range that satisfies the conditions above and the AC characteristics in the electrical specifications.

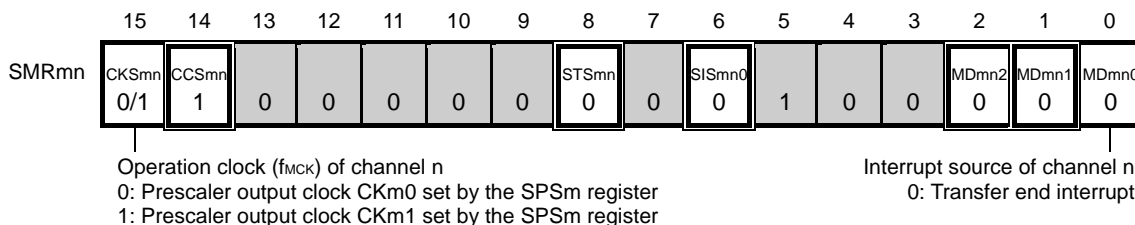
Remarks 1. f_{MCK} : Operation clock frequency of target channel

2. m: Unit number (m = 0, 1), n: Channel number (n = 0, 1), p: CSI number (p = 00, 01, 10, 11),
mn = 00, 01, 10, 11

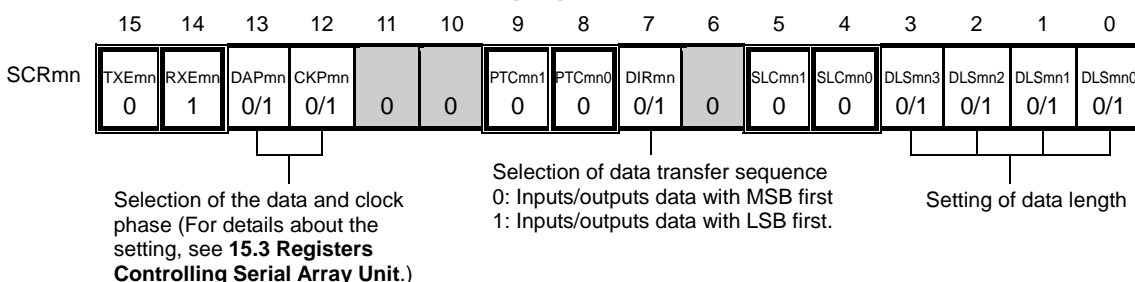
(1) Register setting

Figure 15-142. Example of Contents of Registers for Slave Reception of SPI Function (CSI00, CSI01, CSI10, CSI11) (1/2)

(a) Serial mode register mn (SMRmn)

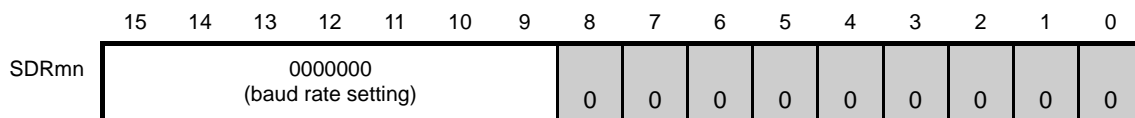


(b) Serial communication operation setting register mn (SCRmn)

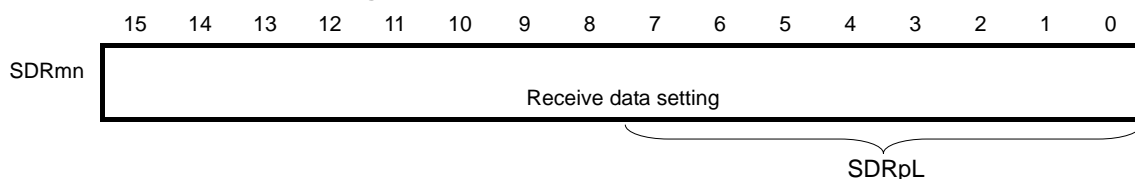


(c) Serial data register mn (SDRmn)

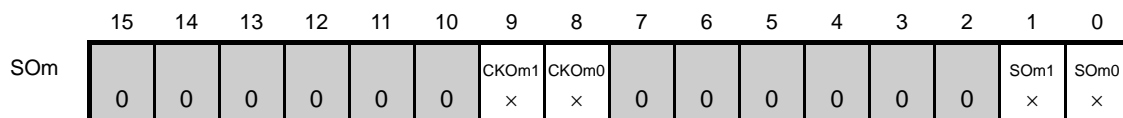
(1) When operation is stopped (SEmn = 0)



(2) When operation is in progress (SEmn = 1) (Lower 8 bits: SDRpL)



(d) Serial output register m (SOM) ...The register that not used in this mode.



- Remarks**
- m: Unit number (m = 0, 1), n: Channel number (n = 0, 1), p: CSI number (p = 00, 01, 10, 11), mn = 00, 01, 10, 11
 - : Setting is fixed in the CSI slave reception mode, ■: Setting disabled (set to the initial value)
 x: Bit that cannot be used in this mode (set to the initial value when not used in any mode)
 0/1: Set to 0 or 1 depending on the usage of the user

Figure 15-142. Example of Contents of Registers for Slave Reception of SPI Function (CSI00, CSI01, CSI10, CSI11) (2/2)

(e) Serial output enable register m (SOEm) ...The register that not used in this mode.

	15	14	13	12	11	10	9	8	7	6	5	4	3	2	1	0
SOEm	0	0	0	0	0	0	0	0	0	0	0	0	0	0	SOEm1 ×	SOEm0 ×

(f) Serial channel start register m (SSm) ... Sets only the bits of the target channel to 1.

	15	14	13	12	11	10	9	8	7	6	5	4	3	2	1	0
SSm	0	0	0	0	0	0	0	0	0	0	0	0	0	0	SSm1 0/1	SSm0 0/1

(g) Serial slave select enable register m (SSEm) ... Controls the $\overline{\text{SSI00}}$, $\overline{\text{SSI01}}$, $\overline{\text{SSI10}}$, and $\overline{\text{SSI11}}$ pin inputs of the target channel in slave mode.

	15	14	13	12	11	10	9	8	7	6	5	4	3	2	1	0
SSm	0	0	0	0	0	0	0	0	0	0	0	0	0	0	SSEm1 0/1	SSEm0 0/1

- Remarks**
1. m: Unit number (m = 0, 1), n: Channel number (n = 0, 1), p: CSI number (p = 00, 01, 10, 11), mn = 00, 01, 10, 11
 2. : Setting is fixed in the CSI slave reception mode, : Setting disabled (set to the initial value)
 ×: Bit that cannot be used in this mode (set to the initial value when not used in any mode)
 0/1: Set to 0 or 1 depending on the usage of the user

(2) Operation procedure

Figure 15-143. Initial Setting Procedure for Slave Reception

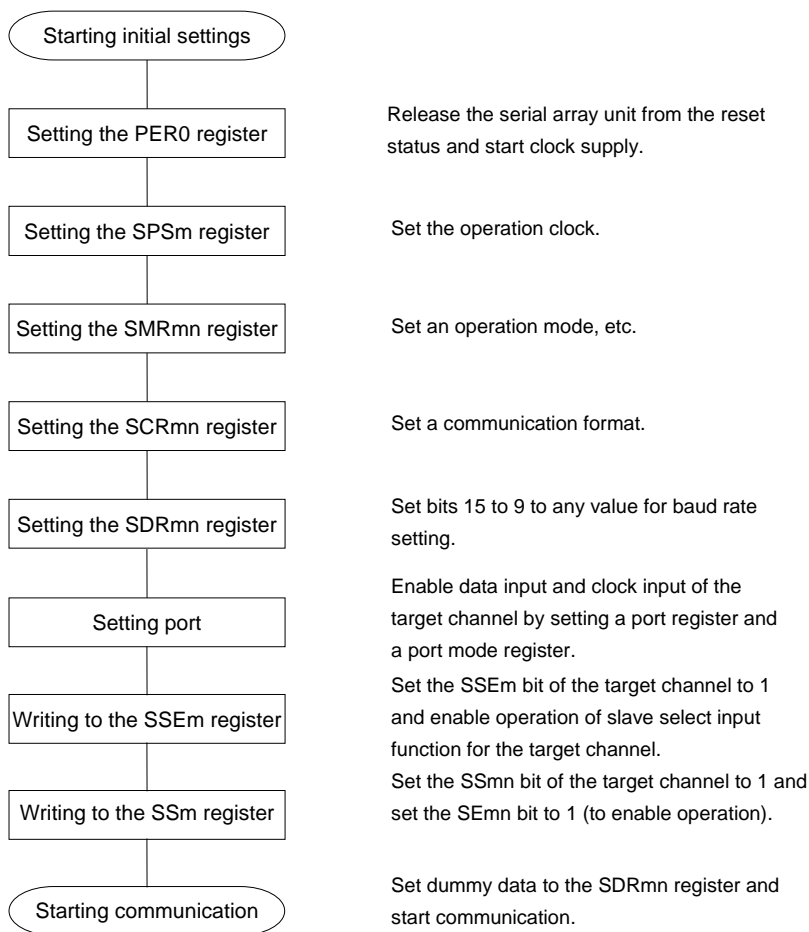
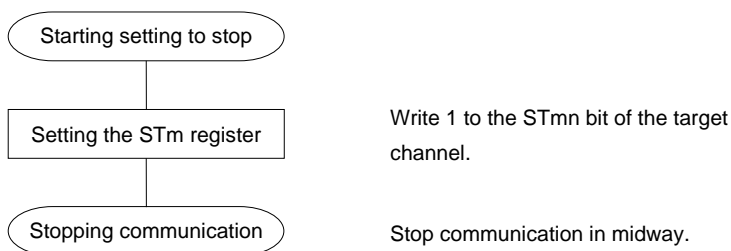
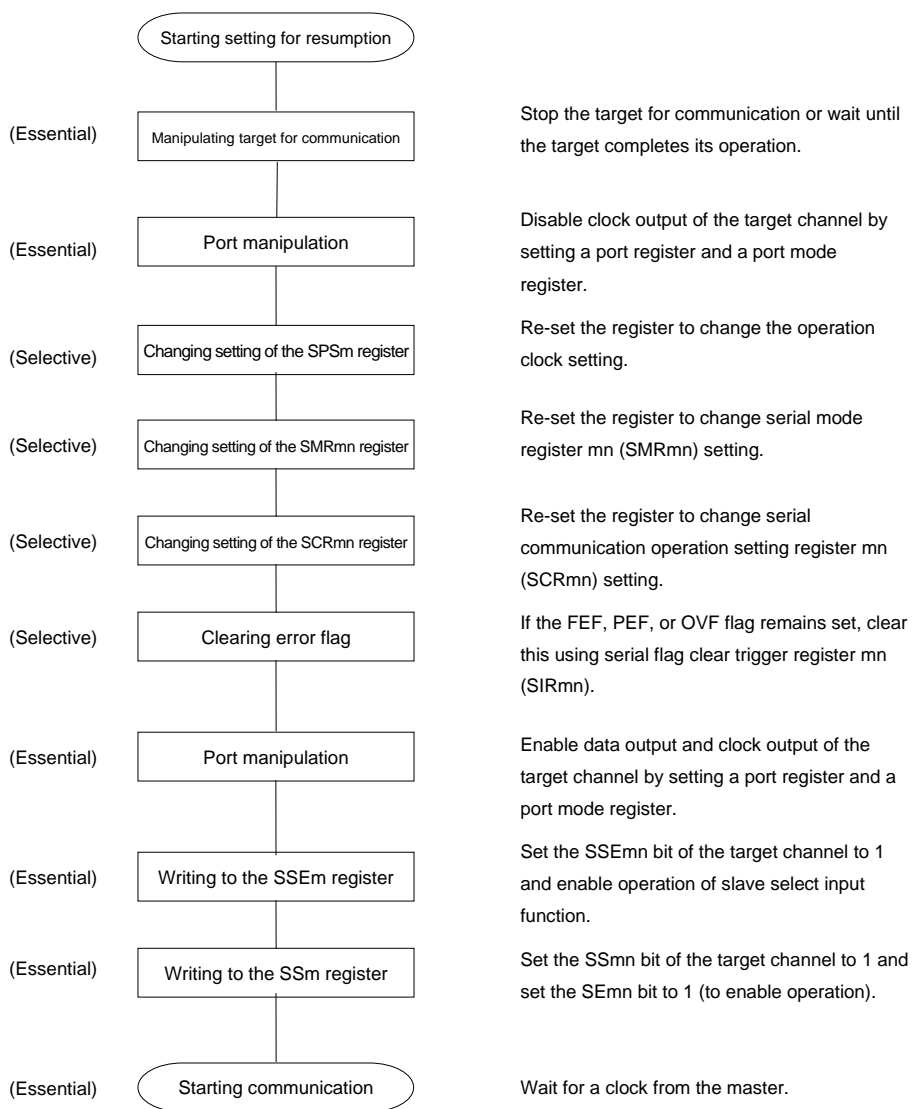


Figure 15-144. Procedure for Stopping Slave Reception



Remark m: Unit number (m = 0, 1), n: Channel number (n = 0, 1), mn = 00, 01, 10, 11

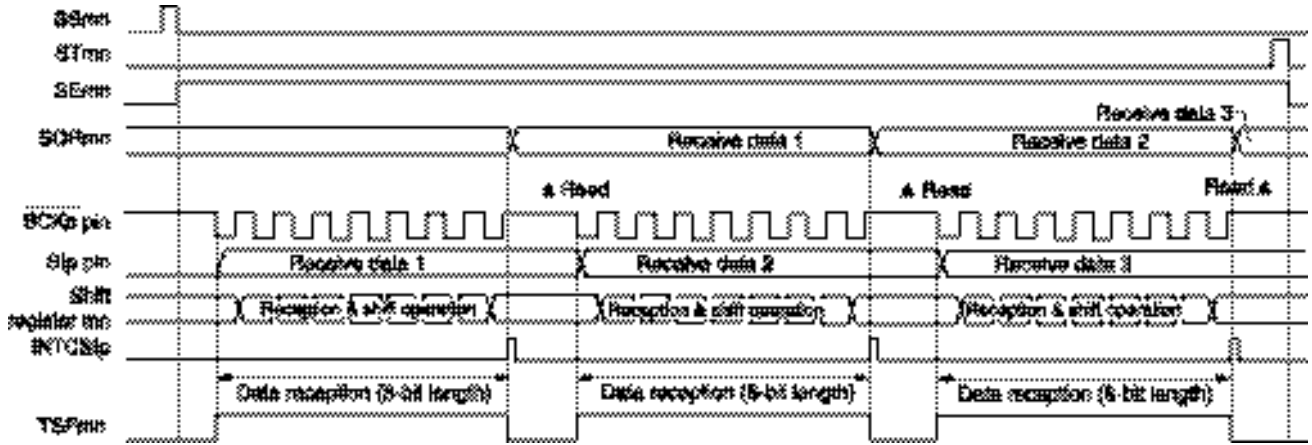
Figure 15-145. Procedure for Resuming Slave Reception



Remark m: Unit number (m = 0, 1), n: Channel number (n = 0, 1), mn = 00, 01, 10, 11

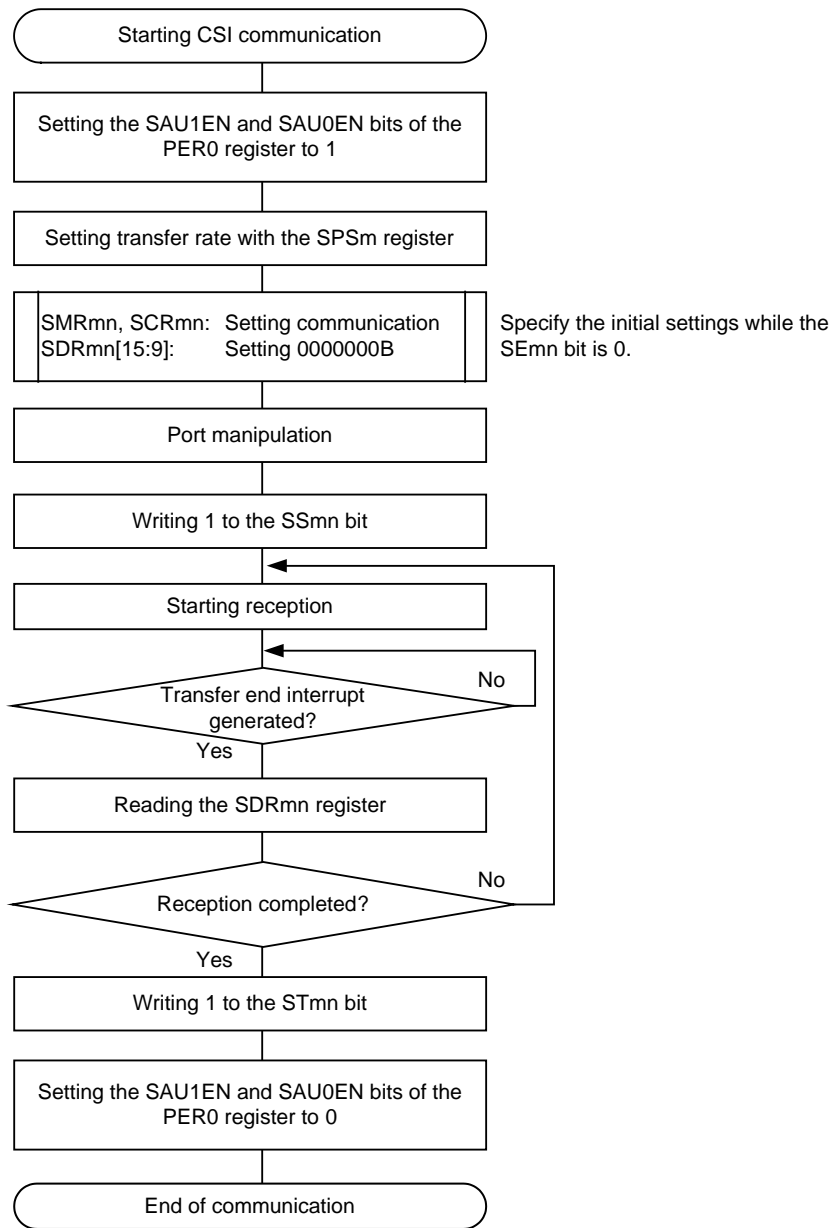
(3) Processing flow (in single-reception mode)

Figure 15-146. Timing Chart of Slave Reception (in Single-Reception Mode)
 (Type 1: DAPmn = 0, CKPmn = 0)



Remark m: Unit number (m = 0, 1), n: Channel number (n = 0, 1), p: CSI number (p = 00, 01, 10, 11),
 mn = 00, 01, 10, 11

Figure 15-147. Flowchart of Slave Reception (in Single-Reception Mode)



Remark m: Unit number (m = 0, 1), n: Channel number (n = 0, 1), mn = 00, 01, 10, 11

15.6.6 Slave transmission/reception

Slave transmission/reception is an operation wherein this MCU transmits/receives data to/from another device in the state of a transfer clock being input from another device.

SPI Function	CSI00	CSI01	CSI10	CSI11
Target channel	Channel 0 of SAU0	Channel 1 of SAU0	Channel 0 of SAU1	Channel 1 of SAU1
Pins used	$\overline{\text{SCK00}}$, SI00, SO00, SSI00	$\overline{\text{SCK01}}$, SI01, SO01, SSI01	$\overline{\text{SCK10}}$, SI10, SO10, SSI10	$\overline{\text{SCK11}}$, SI11, SO11, SSI11
Interrupt	INTCSI00	INTCSI01	INTCSI10	INTCSI11
	Transfer end interrupt (in single-transfer mode) or buffer empty interrupt (in continuous transfer mode) can be selected.			
Error detection flag	Overrun error detection flag (OVFmn) only			
Transfer data length	7 to 16 bits			
Transfer rate	Max. $f_{\text{MCK}}/6$ [Hz] ^{Notes 1, 2.}			
Data phase	Selectable by the DAPmn bit of the SCRmn register <ul style="list-style-type: none"> DAPmn = 0: Data I/O starts from the start of the serial clock operation. DAPmn = 1: Data I/O starts half a clock before the start of the serial clock operation. 			
Clock phase	Selectable by the CKPmn bit of the SCRmn register <ul style="list-style-type: none"> CKPmn = 0: Forward CKPmn = 1: Reverse 			
Data direction	MSB or LSB first			
SPI function	The operation of the slave select function can be selected.			

Notes 1. Because the external serial clock input to the $\overline{\text{SCK00}}$, $\overline{\text{SCK01}}$, $\overline{\text{SCK10}}$, and $\overline{\text{SCK11}}$ pins is sampled internally and used, the fastest transfer rate is $f_{\text{MCK}}/6$ [Hz].

2. Use this operation within a range that satisfies the conditions above and the AC characteristics in the electrical specifications.

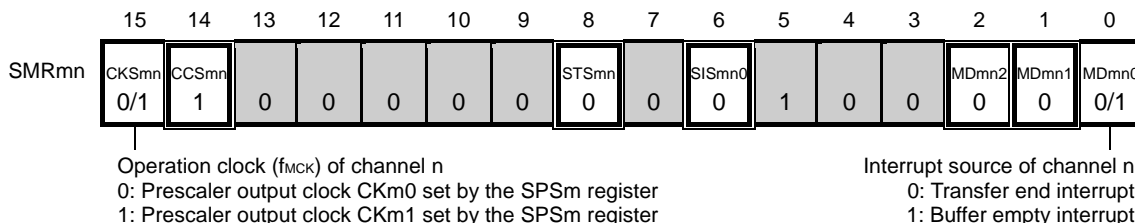
Remarks 1. f_{MCK} : Operation clock frequency of target channel

2. m: Unit number (m = 0, 1), n: Channel number (n = 0, 1), p: CSI number (p = 00, 01, 10, 11), mn = 00, 01, 10, 11

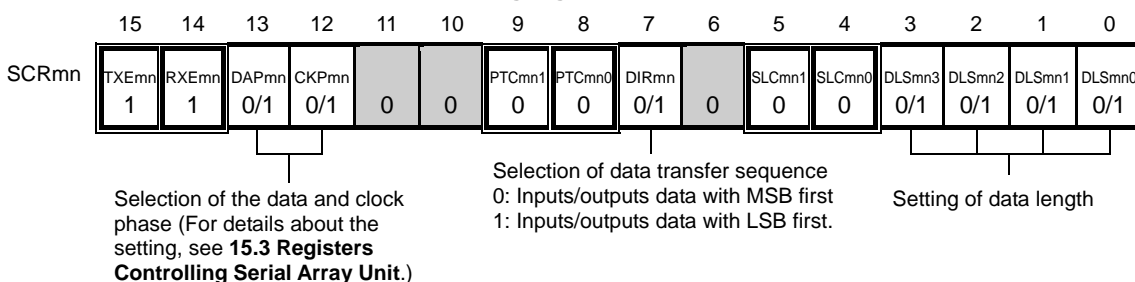
(1) Register setting

Figure 15-148. Example of Contents of Registers for Slave Transmission/Reception of SPI Function (CSI00, CSI01, CSI10, CSI11) (1/2)

(a) Serial mode register mn (SMRmn)

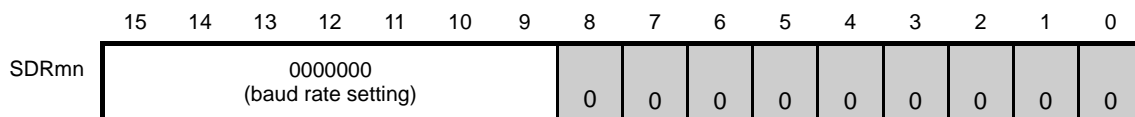


(b) Serial communication operation setting register mn (SCRmn)

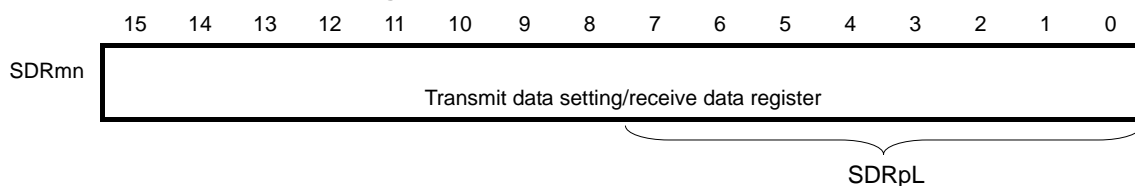


(c) Serial data register mn (SDRmn)

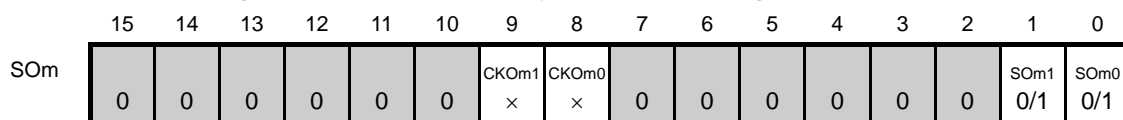
(1) When operation is stopped (SEmn = 0)



(2) When operation is in progress (SEmn = 1) (Lower 8 bits: SDRpL)



(d) Serial output register m (SOM) ... Sets only the bits of the target channel.



Caution Be sure to set transmit data to the SDRpL register before the clock from the master is started.

- Remarks**
- m: Unit number (m = 0, 1), n: Channel number (n = 0, 1), p: CSI number (p = 00, 01, 10, 11), mn = 00, 01, 10, 11
 - | | |
|-----|---|
| | : Setting is fixed in the CSI slave transmission/reception mode |
| | : Setting disabled (set to the initial value) |
| x | : Bit that cannot be used in this mode (set to the initial value when not used in any mode) |
| 0/1 | : Set to 0 or 1 depending on the usage of the user |

Figure 15-148. Example of Contents of Registers for Slave Transmission/Reception of SPI Function (CSI00, CSI01, CSI10, CSI11) (2/2)

(e) Serial output enable register m (SOEm) ... Sets only the bits of the target channel to 1.

	15	14	13	12	11	10	9	8	7	6	5	4	3	2	1	0		
SOEm															SOEm1	SOEm0		
	0														0/1	0/1		

(f) Serial channel start register m (SSm) ... Sets only the bits of the target channel to 1.

	15	14	13	12	11	10	9	8	7	6	5	4	3	2	1	0		
SSm															SSEm1	SSEm0		
	0														0/1	0/1		

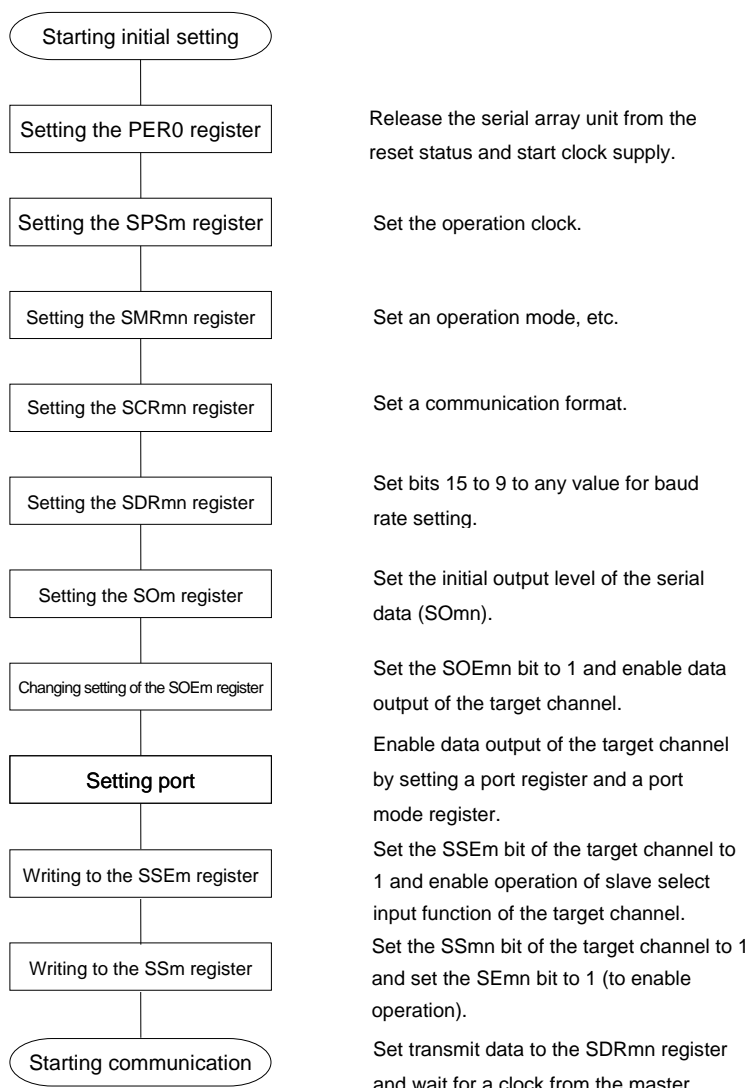
(g) Serial slave select enable register m (SSEm) ... Controls the $\overline{\text{SSI00}}$, $\overline{\text{SSI01}}$, $\overline{\text{SSI10}}$, and $\overline{\text{SSI11}}$ pin inputs of the target channel in slave mode.

	15	14	13	12	11	10	9	8	7	6	5	4	3	2	1	0		
SSEm															SSEm1	SSEm0		
	0														0/1	0/1		

- Remarks**
- m: Unit number (m = 0, 1), n: Channel number (n = 0, 1), p: CSI number (p = 00, 01, 10, 11), mn = 00, 01, 10, 11
 - | | |
|--------------------------|---|
| <input type="checkbox"/> | : Setting is fixed in the CSI slave transmission/reception mode |
| <input type="checkbox"/> | : Setting disabled (set to the initial value) |
| × | : Bit that cannot be used in this mode (set to the initial value when not used in any mode) |
| 0/1: | Set to 0 or 1 depending on the usage of the user |

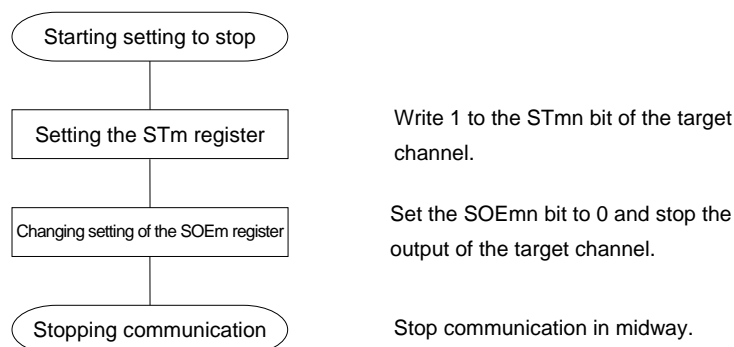
(2) Operation procedure

Figure 15-149. Initial Setting Procedure for Slave Transmission/Reception



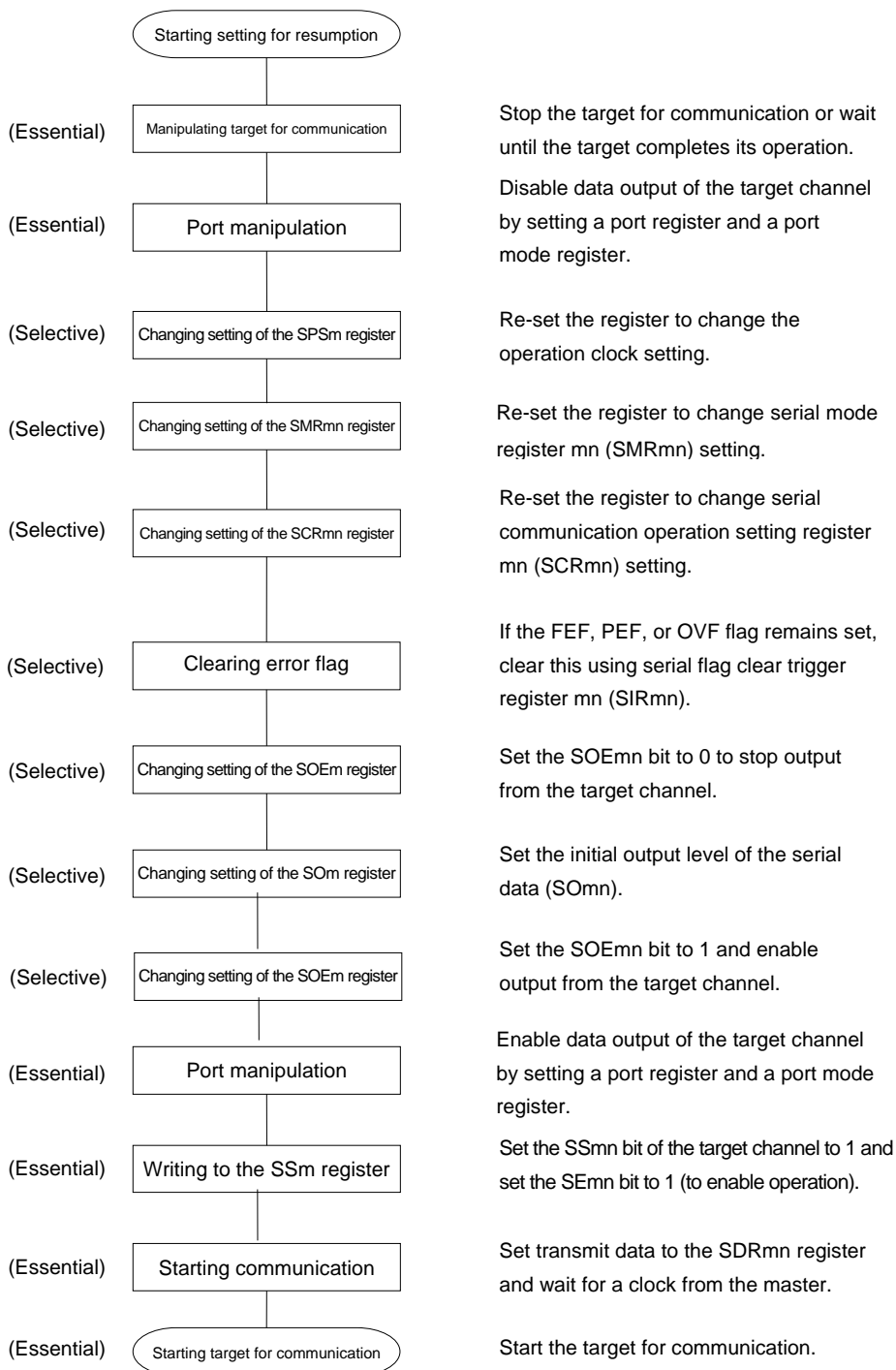
Caution Be sure to set transmit data to the SDRpL register before the clock from the master is started.

Remark m: Unit number (m = 0, 1), n: Channel number (n = 0, 1), p: CSI number (p = 00, 01, 10, 11), mn = 00, 01, 10, 11

Figure 15-150. Procedure for Stopping Slave Transmission/Reception

- Remarks**
1. Even after communication is stopped, the pin level is retained. To resume the operation, re-set serial output register m (SOM) (see **Figure 15-151 Procedure for Resuming Slave Transmission/Reception**).
 2. m: Unit number (m = 0, 1), n: Channel number (n = 0, 1), p: CSI number (p = 00, 01, 10, 11), mn = 00, 01, 10, 11

Figure 15-151. Procedure for Resuming Slave Transmission/Reception

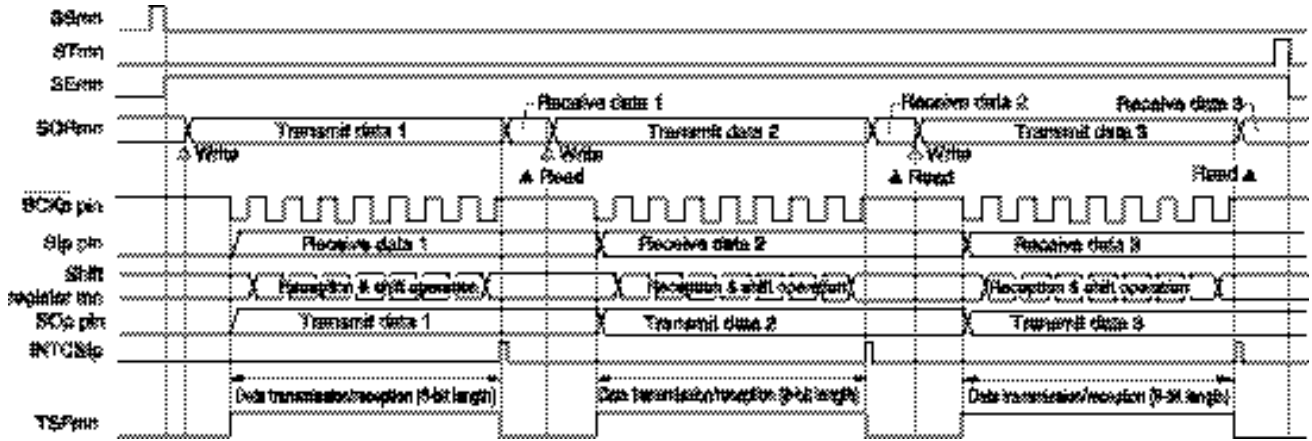


Caution Be sure to set transmit data to the SDRpL register before the clock from the master is started.

Remark m: Unit number (m = 0, 1), n: Channel number (n = 0, 1), p: CSI number (p = 00, 01, 10, 11), mn = 00, 01, 10, 11

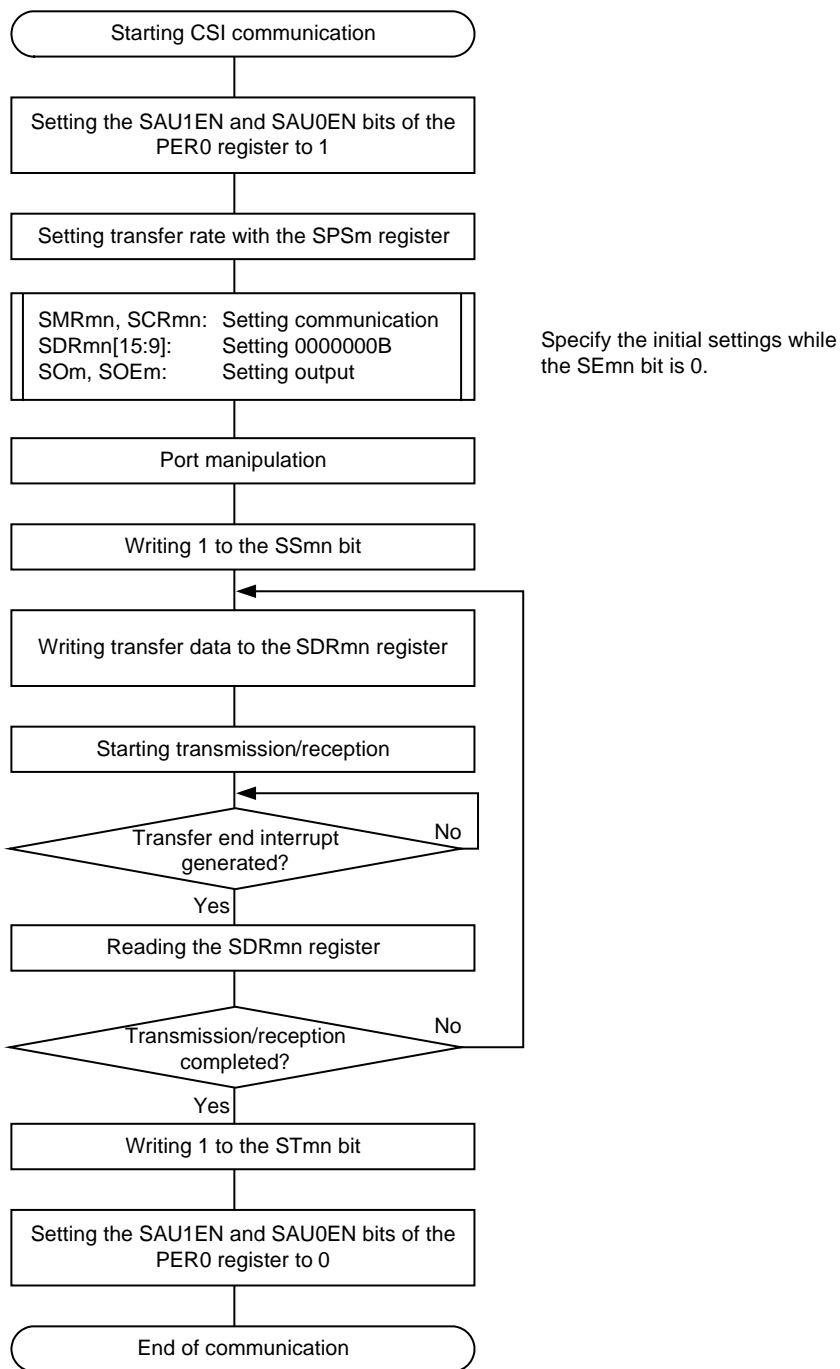
(3) Processing flow (in single-transmission/reception mode)

Figure 15-152. Timing Chart of Slave Transmission/Reception (in Single-Transmission/Reception Mode)
(Type 1: DAPmn = 0, CKPmn = 0)



Remark m: Unit number (m = 0, 1), n: Channel number (n = 0, 1), p: CSI number (p = 00, 01, 10, 11),
mn = 00, 01, 10, 11

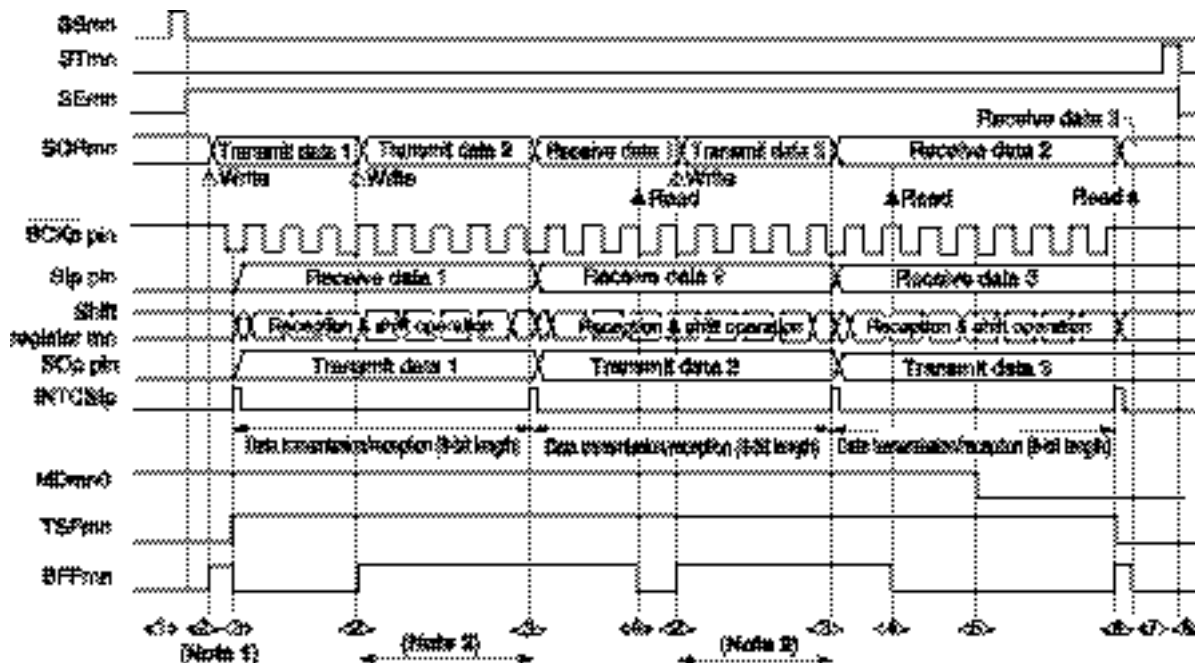
Figure 15-153. Flowchart of Slave Transmission/Reception (in Single- Transmission/Reception Mode)



- Cautions**
1. Be sure to set transmit data to the SDRpL register before the clock from the master is started.
 2. m: Unit number (m = 0, 1), n: Channel number (n = 0, 1), p: CSI number (p = 00, 01, 10, 11), mn = 00, 01, 10, 11

(4) Processing flow (in continuous transmission/reception mode)

Figure 15-154. Timing Chart of Slave Transmission/Reception (in Continuous Transmission/Reception Mode)
(Type 1: DAPmn = 0, CKPmn = 0)



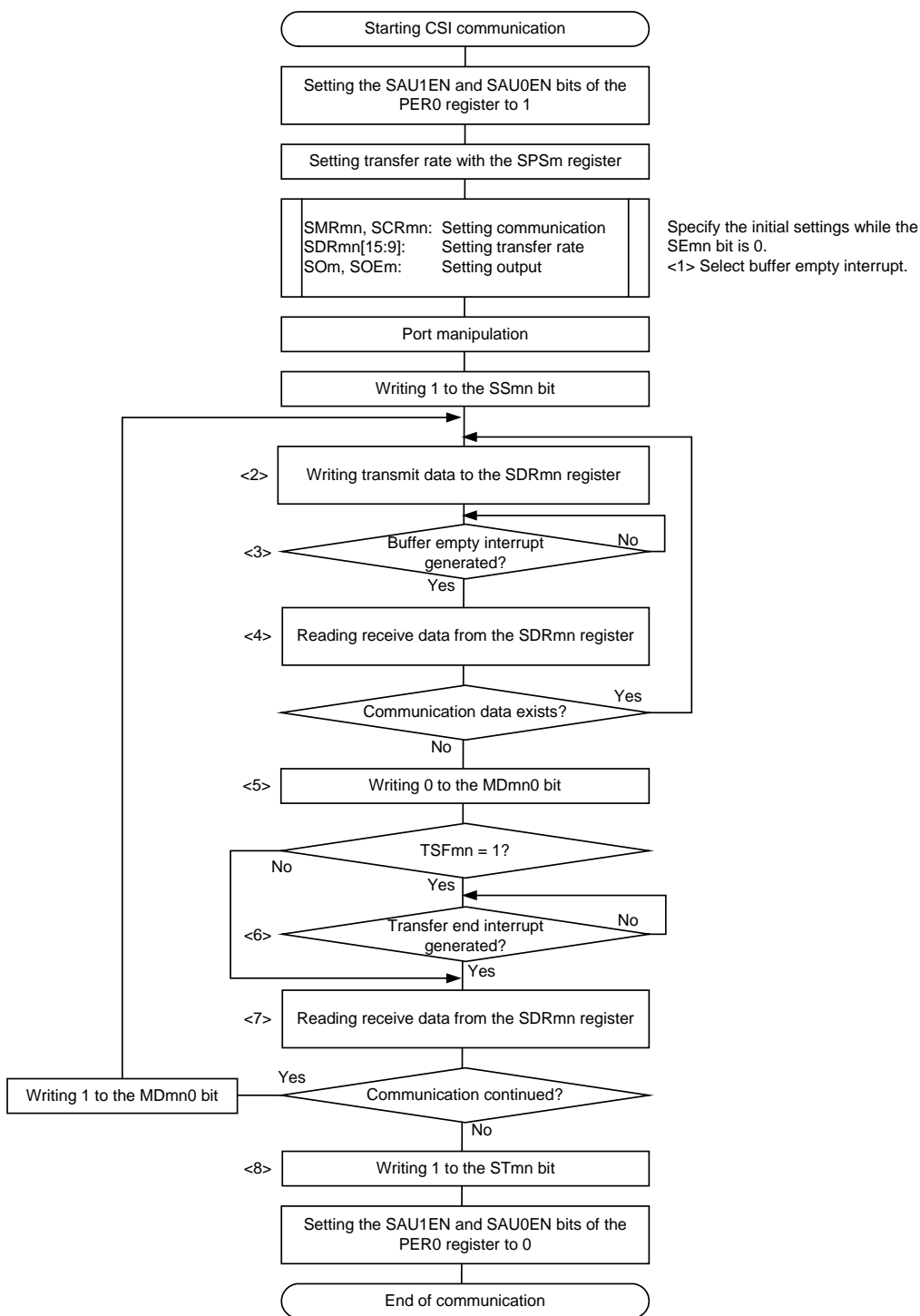
- Notes**
1. If transmit data is written to the SDRmn register while the BFFmn bit of serial status register mn (SSRmn) is 1 (valid data is stored in serial data register mn (SDRmn)), the transmit data is overwritten.
 2. The transmit data can be read by reading the SDRmn register during this period. At this time, the transfer operation is not affected.

Caution The MDmn0 bit of serial mode register mn (SMRmn) can be rewritten even during operation. However, rewrite it before transfer of the last bit is started, so that it has been rewritten before the transfer end interrupt of the last transmit data.

Remarks 1. <1> to <8> in the figure correspond to <1> to <8> in **Figure 15-155 Flowchart of Slave Transmission/Reception (in Continuous Transmission/Reception Mode)**.

2. m: Unit number (m = 0, 1), n: Channel number (n = 0, 1), p: CSI number (p = 00, 01, 10, 11), mn = 00, 01, 10, 11

Figure 15-155. Flowchart of Slave Transmission/Reception (in Continuous Transmission/Reception Mode)



Caution Be sure to set transmit data to the SDRpL register before the clock from the master is started.

Remarks 1. <1> to <8> in the figure correspond to <1> to <8> in Figure 15-154 Timing Chart of Slave Transmission/Reception (in Continuous Transmission/Reception Mode).

2. m: Unit number (m = 0, 1), n: Channel number (n = 0, 1), p: CSI number (p = 00, 01, 10, 11), mn = 00, 01, 10, 11

15.6.7 Calculating transfer clock frequency

The transfer clock frequency for SPI function (CSI00, CSI01, CSI10, CSI11) communication can be calculated by the following expressions.

(1) Master

$$\text{(Transfer clock frequency)} = \{\text{Operation clock (}f_{\text{MCK}}\text{) frequency of target channel}\} \div (\text{SDRmn}[15:9] + 1) \div 2 \text{ [Hz]}$$

(2) Slave

$$\text{(Transfer clock frequency)} = \{\text{Frequency of serial clock (}f_{\text{SCK}}\text{) supplied by master}\}^{\text{Note}} \text{ [Hz]}$$

Note The permissible maximum transfer clock frequency is $f_{\text{MCK}}/6$.

- Remark**
1. The value of SDRmn[15:9] is the value of bits 15 to 9 of serial data register mn (SDRmn) (000000B to 1111111B) and therefore is 0 to 127.
 2. The operation clock (f_{MCK}) is determined by serial clock select register m (SPSm) and bit 15 (CKSmn) of serial mode register mn (SMRmn).
 3. m: Unit number (m = 0, 1), n: Channel number (n = 0, 1), p: CSI number (p = 00, 01, 10, 11), mn = 00, 01, 10, 11

Table 15-3. Selection of Operation Clock For SPI Function

SMRmn Register	SPSm Register								Operation Clock (f _{CLK}) ^{Note}	
	CKSmn	PRSm13	PRSm12	PRSm11	PRSm10	PRSm03	PRSm02	PRSm01	PRSm00	f _{CLK} = 32 MHz
0	X	X	X	X	0	0	0	0	f _{CLK}	32 MHz
	X	X	X	X	0	0	0	1	f _{CLK} /2	16 MHz
	X	X	X	X	0	0	1	0	f _{CLK} /2 ²	8 MHz
	X	X	X	X	0	0	1	1	f _{CLK} /2 ³	4 MHz
	X	X	X	X	0	1	0	0	f _{CLK} /2 ⁴	2 MHz
	X	X	X	X	0	1	0	1	f _{CLK} /2 ⁵	1 MHz
	X	X	X	X	0	1	1	0	f _{CLK} /2 ⁶	500 kHz
	X	X	X	X	0	1	1	1	f _{CLK} /2 ⁷	250 kHz
	X	X	X	X	1	0	0	0	f _{CLK} /2 ⁸	125 kHz
	X	X	X	X	1	0	0	1	f _{CLK} /2 ⁹	62.5 kHz
	X	X	X	X	1	0	1	0	f _{CLK} /2 ¹⁰	31.25 kHz
	X	X	X	X	1	0	1	1	f _{CLK} /2 ¹¹	15.63 kHz
1	0	0	0	0	X	X	X	X	f _{CLK}	32 MHz
	0	0	0	1	X	X	X	X	f _{CLK} /2	16 MHz
	0	0	1	0	X	X	X	X	f _{CLK} /2 ²	8 MHz
	0	0	1	1	X	X	X	X	f _{CLK} /2 ³	4 MHz
	0	1	0	0	X	X	X	X	f _{CLK} /2 ⁴	2 MHz
	0	1	0	1	X	X	X	X	f _{CLK} /2 ⁵	1 MHz
	0	1	1	0	X	X	X	X	f _{CLK} /2 ⁶	500 kHz
	0	1	1	1	X	X	X	X	f _{CLK} /2 ⁷	250 kHz
	1	0	0	0	X	X	X	X	f _{CLK} /2 ⁸	125 kHz
	1	0	0	1	X	X	X	X	f _{CLK} /2 ⁹	62.5 kHz
	1	0	1	0	X	X	X	X	f _{CLK} /2 ¹⁰	31.25 kHz
	1	0	1	1	X	X	X	X	f _{CLK} /2 ¹¹	15.63 kHz
Other than above										Setting prohibited

Note When changing the clock selected for f_{CLK} (by changing the system clock control register (CKC) value), do so after having stopped (serial channel stop register m (STm) = 0003H) the operation of the serial array unit (SAU).

Remarks 1. X: Don't care

2. m: Unit number (m = 0, 1), n: Channel number (n = 0, 1), mn = 00, 01, 10, 11

15.6.8 Procedure for processing errors that occurred during clock synchronous serial communication with SPI function

The procedure for processing errors that occurred during clock synchronous serial communication with SPI function is described in Figure 15-156.

Figure 15-156. Processing Procedure in Case of Overrun Error

Software Manipulation	Hardware Status	Remark
Reads serial data register mn (SDRmn).	→ The BFFmn bit of the SSRmn register is set to 0 and channel n is enabled to receive data.	This is to prevent an overrun error if the next reception is completed during error processing.
Reads serial status register mn (SSRmn).		Error type is identified and the read value is used to clear error flag.
Writes 1 to serial flag clear trigger register mn (SIRmn).	→ Error flag is cleared.	Error can be cleared only during reading, by writing the value read from the SSRmn register to the SIRmn register without modification.

Remark m: Unit number (m = 0, 1), n: Channel number (n = 0, 1), mn = 00, 01, 10, 11

15.7 Operation of UART (UART0, UART1, UART2) Communication

This is a start-stop synchronization function using two lines: serial data transmission (TXD) and serial data reception (RXD) lines. By using these two communication lines, each data frame, which consist of a start bit, data, parity bit, and stop bit, is transferred asynchronously (using the internal baud rate) between the microcontroller and the other communication party. Full-duplex UART communication can be performed by using a channel dedicated to transmission (even-numbered channel) and a channel dedicated to reception (odd-numbered channel). The LIN-bus can be implemented by using timer array unit 0 with an external interrupt (INTP0).

[Data transmission/reception]

- Data length of 7, 8, 9, or 16 bits (16 bits length is for UART0, and UART1 only)
- Select the MSB/LSB first
- Level setting of transmit/receive data and select of reverse
- Parity bit appending and parity check functions
- Stop bit appending

[Interrupt function]

- Transfer end interrupt/buffer empty interrupt
(Error interrupts in cases of framing error, parity error, or overrun error are for UART2 only)

[Error detection flag]

- Framing error, parity error, or overrun error

The LIN-bus is accepted in UART0 (channels 0 and 1 of unit 0).

[LIN-bus functions]

- Wakeup signal detection
- Break field (BF) detection
- Sync field measurement, baud rate calculation



Using the external interrupt (INTP0) and timer array unit 0

UART0 uses channels 0 and 1 of SAU0.

UART1 uses channels 0 and 1 of SAU1.

UART2 uses channels 0 and 1 of SAU2.

Unit	Channel	Used as CSI	Used as UART	Used as Simplified I ² C
0	0	CSI00 (supporting SPI function) ^{Note 3}	UART0 (supporting LIN-bus)	IIC00
	1	CSI01 (supporting SPI function) ^{Note 3}		IIC01
1	0	CSI10 (supporting SPI function) ^{Note 1, 3}	UART1	IIC10
	1	CSI11 (supporting SPI function) ^{Note 3}		IIC11
2 ^{Note 2}	0	CSI20	UART2	–
	1	CSI21		–

Notes1. 48-pin products do not have $\overline{\text{SSI10}}$ pin.

2. 144, 100-pin only.

3. Set CKP_{mn} bit of SCR_{mn} register to 1, when SSE_{mn} = 1 (Enables $\overline{\text{SSI}}_{mn}$ pin input).
(m = 0, 1, n = 0, 1)

Caution When using serial array unit as UARTs, the channels of both the transmitting side (even-number channel) and the receiving side (odd-number channel) can be used only as UARTs.

UART performs the following four types of communication operations.

- UART transmission (See 15.7.1 **UART transmission**.)
- UART reception (See 15.7.2 **UART reception**.)
- LIN transmission (UART0 only) (See 15.8.1 **LIN transmission**.)
- LIN reception (UART0 only) (See 15.8.2 **LIN reception**.)

15.7.1 UART transmission

UART transmission is an operation to transmit data from this MCU to another device asynchronously (start-stop synchronization).

Of two channels used for UART, the even channel is used for UART transmission.

UART	UART0	UART1	UART2
Target channel	Channel 0 of SAU0	Channel 0 of SAU1	Channel 0 of SAU2
Pins used	TXD0	TXD1	TXD2
Interrupt	INTST0	INTST1	INTST2
	Transfer end interrupt (in single-transfer mode) or buffer empty interrupt (in continuous transfer mode) can be selected.		
Error detection flag	None		
Transfer data length	7 to 9 or 16 bits		7 to 9 bits
Transfer rate	Max. $f_{MCK}/6$ [bps] (SDR _{mn} [15:9] = 2 or more), Min. $f_{CLK}/(2 \times 2^{15} \times 128)$ [bps] ^{Note}		
Data phase	Forward output (default: high level) Reverse output (default: low level)		
Parity bit	The following selectable <ul style="list-style-type: none"> • No parity bit • Appending 0 parity • Appending even parity • Appending odd parity 		
Stop bit	The following selectable <ul style="list-style-type: none"> • Appending 1 bit • Appending 2 bits 		
Data direction	MSB or LSB first		

Note Use this operation within a range that satisfies the conditions above and the AC characteristics in the electrical specifications.

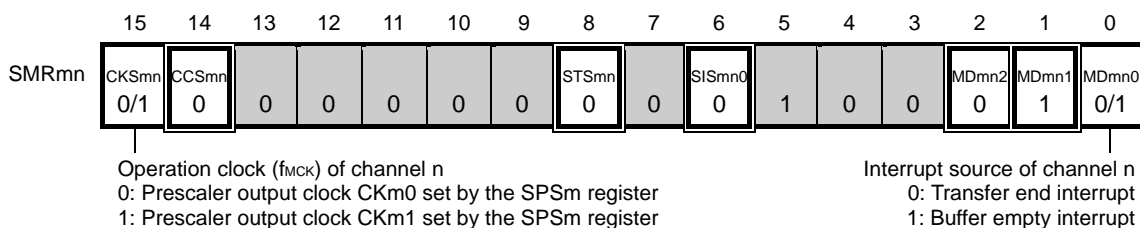
Remarks

1. f_{MCK} : Operation clock frequency of target channel
 f_{CLK} : System clock frequency
2. m: Unit number (m = 0 to 2), n: Channel number (n = 01), mn = 00, 10, 20

(1) Register setting

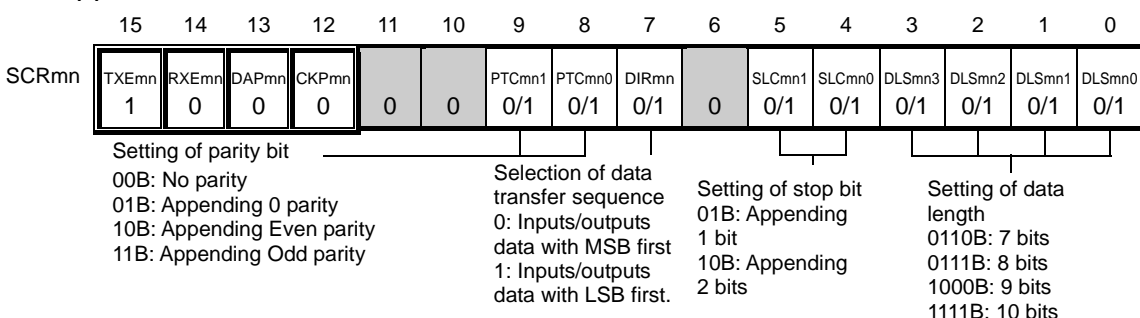
Figure 15-157. Example of Contents of Registers for UART Transmission of UART (UART0, UART1, UART2) (1/2)

(a) Serial mode register mn (SMRmn)

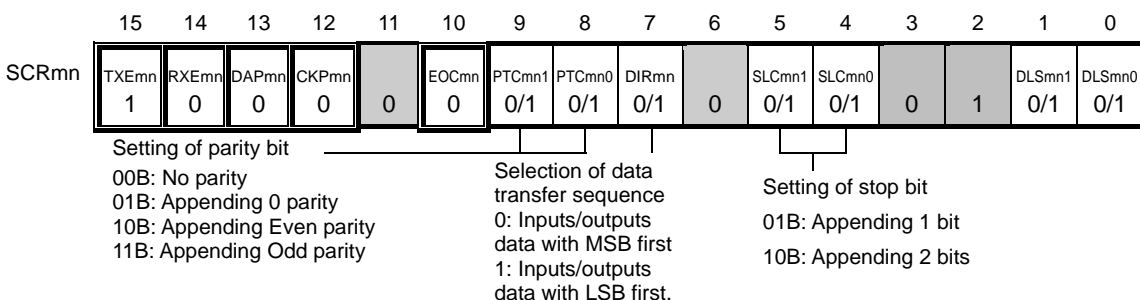


(b) Serial communication operation setting register mn (SCRmn)

(1) UART0, UART1

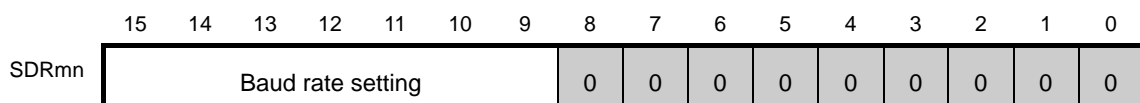


(2) UART2

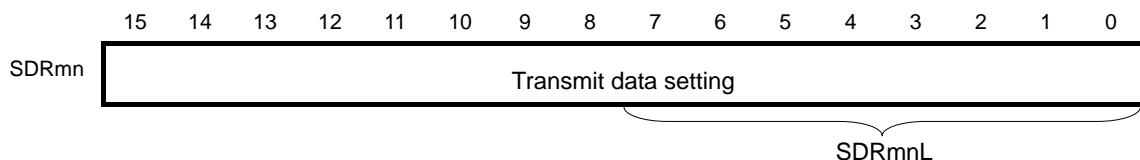


(c) Serial data register mn (SDRmn)

(1) UART0, UART1: When operation is stopped (SEmn = 0)



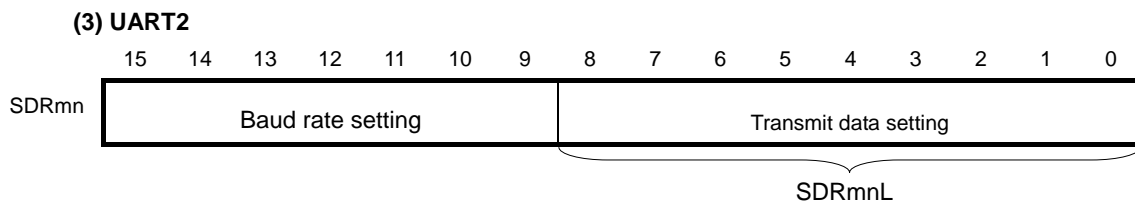
(2) UART0, UART1: When operation is in progress (SEmn = 1) (Lower 8 bits: SDRmnL)



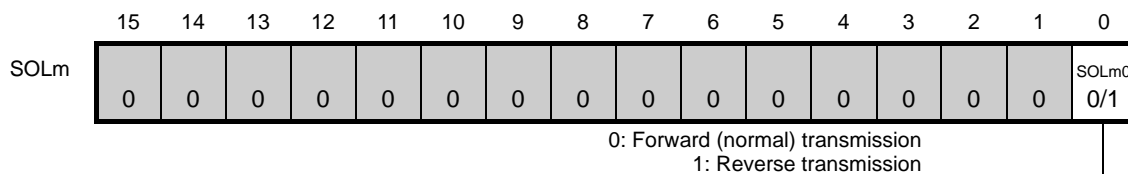
Note Before transmission is started, be sure to set to 1 when the SOLmn bit of the target channel is set to 0, and set to 0 when the SOLmn bit of the target channel is set to 1. The value varies depending on the communication data during communication operation.

- Remarks**
- m: Unit number (m = 0, 1), n: Channel number (n = 0), mn = 00, 10
 - : Setting is fixed in the UART transmission mode, ■: Setting disabled (set to the initial value)
 ×: Bit that cannot be used in this mode (set to the initial value when not used in any mode)
 0/1: Set to 0 or 1 depending on the usage of the user

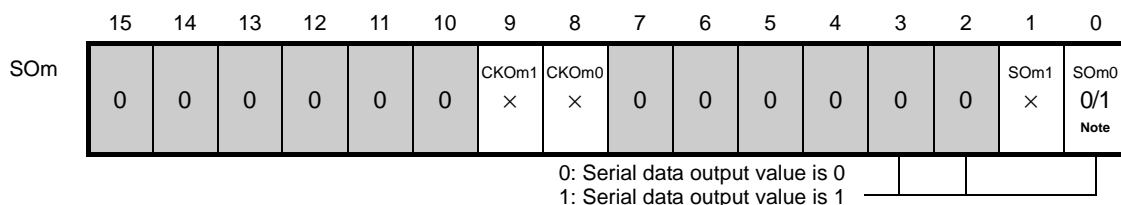
Figure 15-157. Example of Contents of Registers for UART Transmission of UART (UART0, UART1, UART2) (2/2)



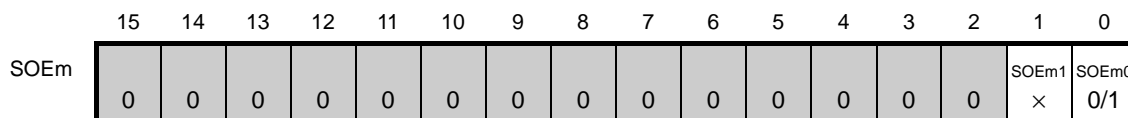
(d) Serial output level register m (SOLm) ... Sets only the bits of the target channel.



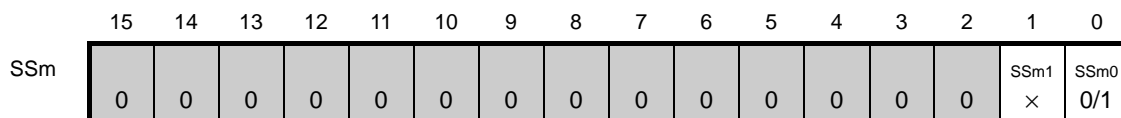
(e) Serial output register m (SOM) ... Sets only the bits of the target channel.



(f) Serial output enable register m (SOEm) ... Sets only the bits of the target channel to 1.



(g) Serial channel start register m (SSm) ... Sets only the bits of the target channel to 1.

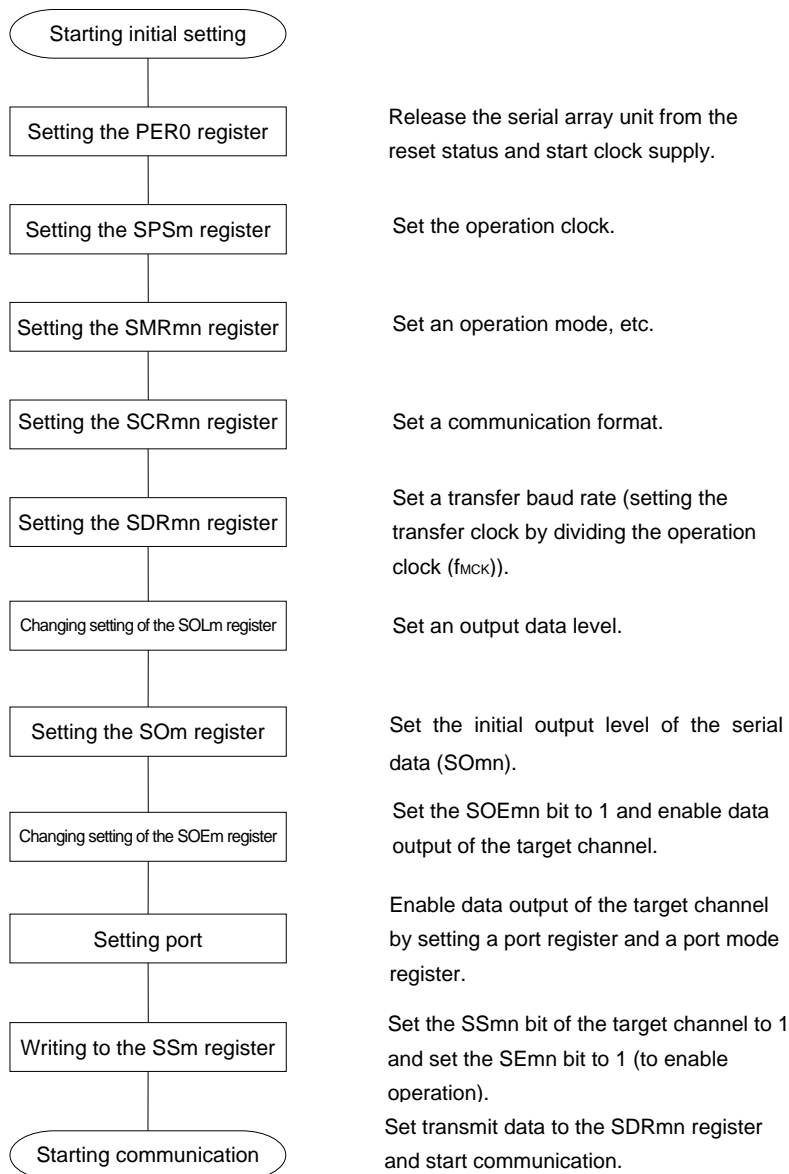


Note Before transmission is started, be sure to set to 1 when the SOLmn bit of the target channel is set to 0, and set to 0 when the SOLmn bit of the target channel is set to 1. The value varies depending on the communication data during communication operation.

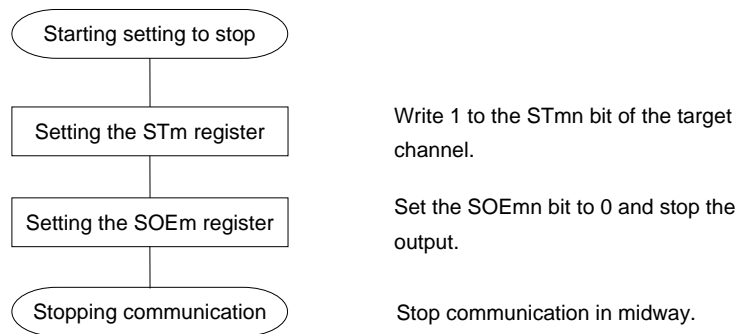
- Remarks**
- m: Unit number (m = 0, 1), n: Channel number (n = 0), mn = 00, 10, 20
 - : Setting disabled (set to the initial value)
 - ×: Bit that cannot be used in this mode (set to the initial value when not used in any mode)
 - 0/1: Set to 0 or 1 depending on the usage of the user

(2) Operation procedure

Figure 15-158. Initial Setting Procedure for UART Transmission (UART0, UART1)

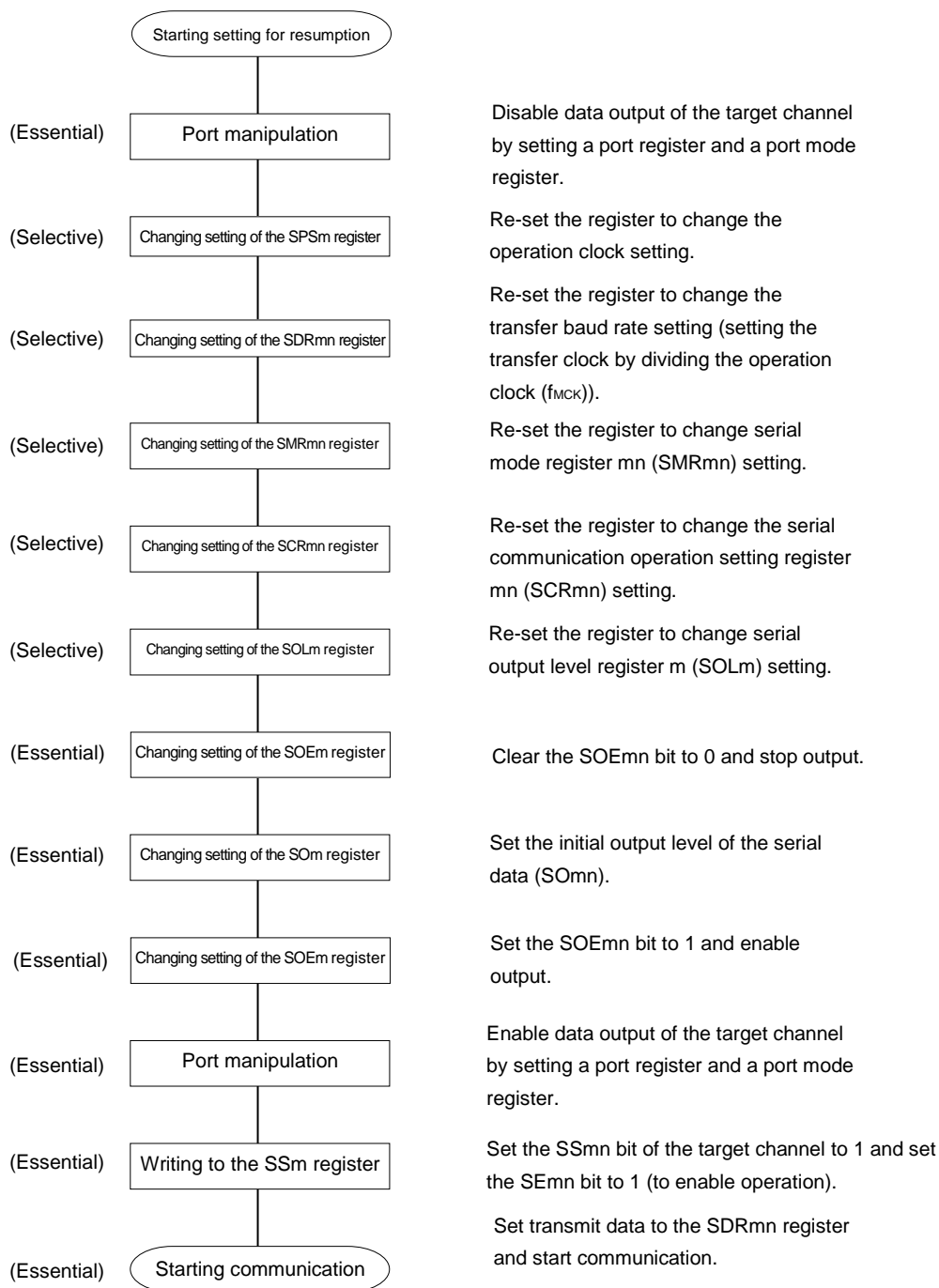


Remark m: Unit number (m = 0, 1), n: Channel number (n = 0), mn = 00, 10

Figure 15-159. Procedure for Stopping UART Transmission (UART0, UART1)

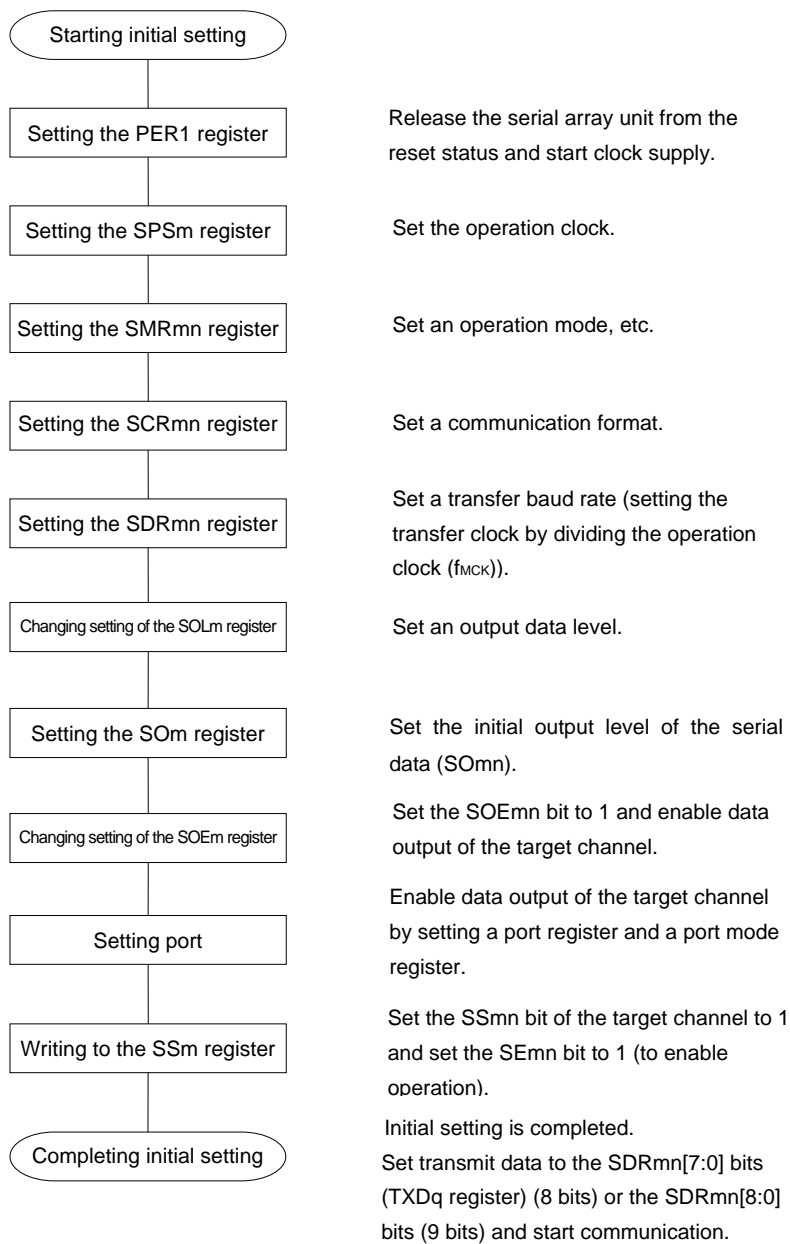
- Remarks**
1. Even after communication is stopped, the pin level is retained. To resume the operation, re-set serial output register m (SOM) (see **Figure 15-160 Procedure for Resuming UART Transmission**).
 2. m: Unit number (m = 0, 1), n: Channel number (n = 0), mn = 00, 10

Figure 15-160. Procedure for Resuming UART Transmission (UART0, UART1)



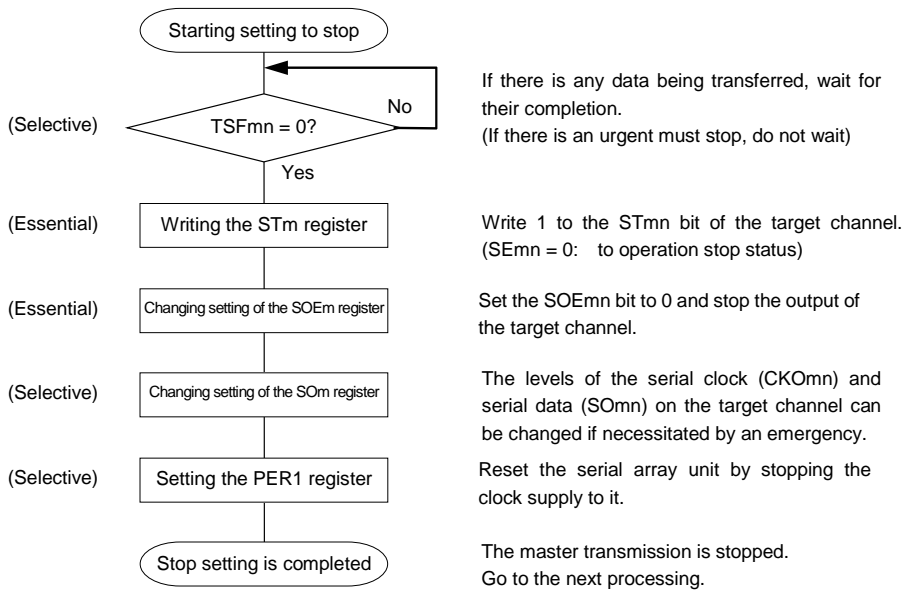
Remark m: Unit number (m = 0, 1), n: Channel number (n = 0), mn = 00, 10

Figure 15-161. Initial Setting Procedure for UART Transmission (UART2)



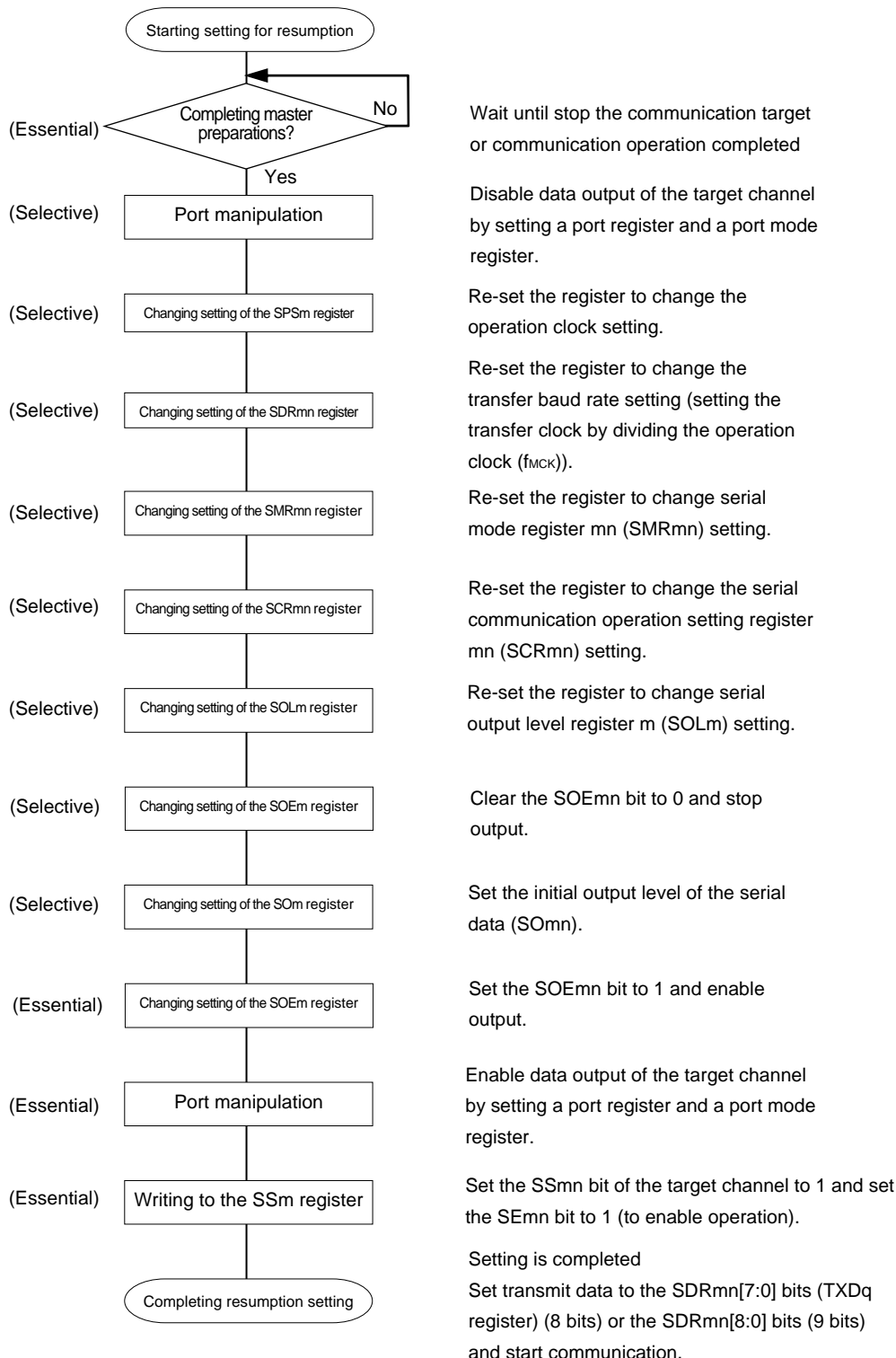
Remark m: Unit number (m = 2), n: Channel number (n = 0), mn = 20, q: UART number (q = 2)

Figure 15-162. Procedure for Stopping UART Transmission (UART2)



Remark m: Unit number (m = 2), n: Channel number (n = 0), mn = 20

Figure 15-163. Procedure for Resuming UART Transmission (UART2)

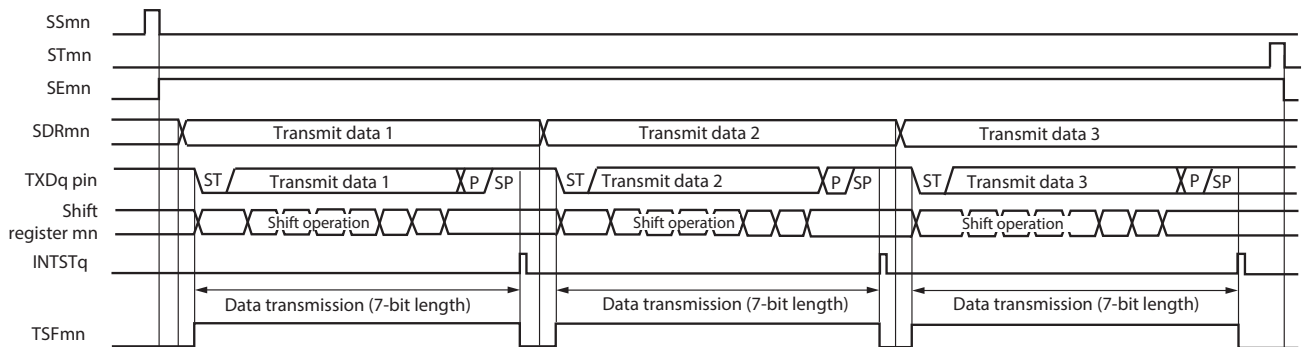


Remarks 1. If PER1 is rewritten while stopping the master transmission and the clock supply is stopped, wait until the transmission target stops or transmission finishes, and then perform initialization instead of restarting the transmission.

2. m: Unit number (m = 2), n: Channel number (n = 0), mn = 20, q: UART number (q = 2)

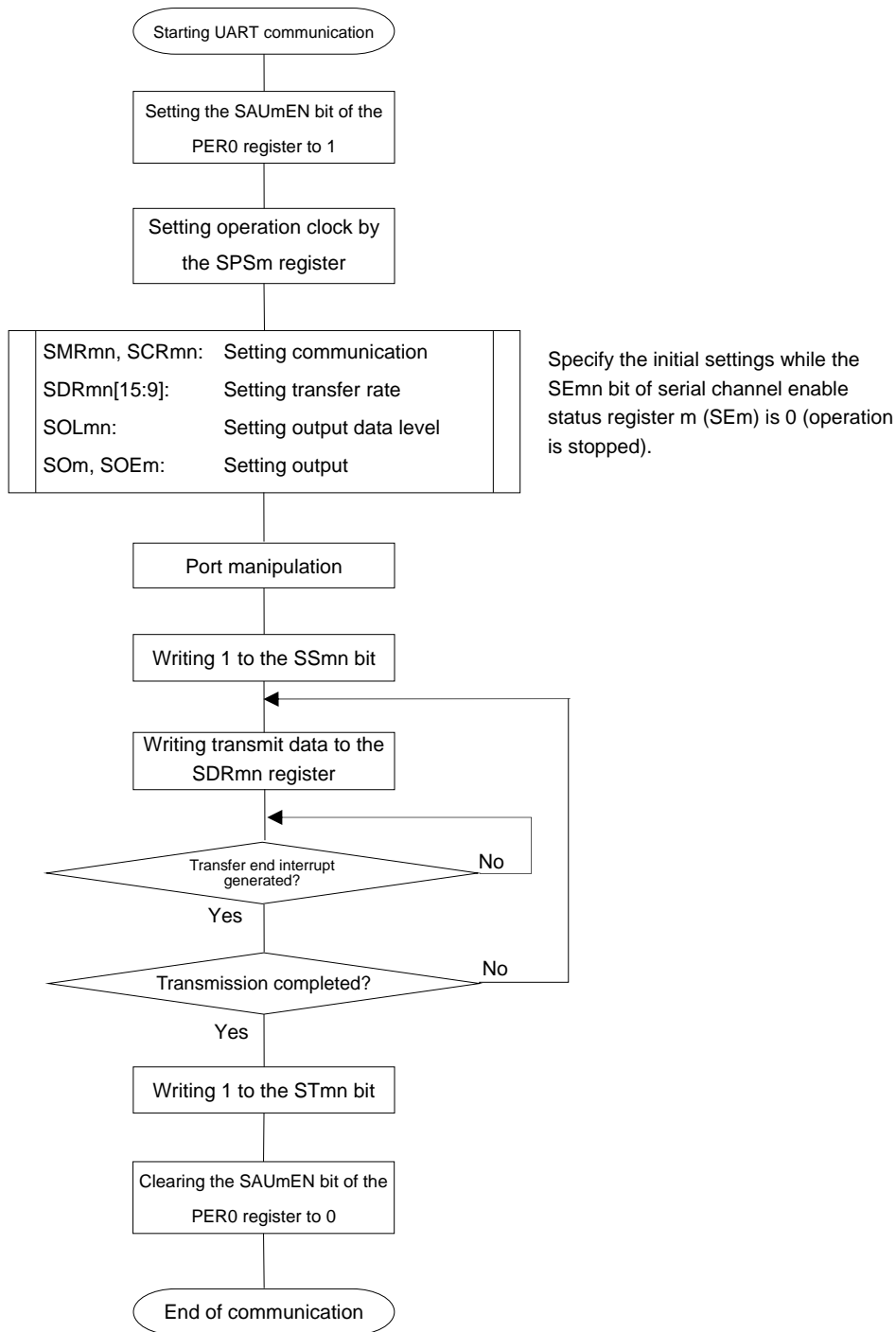
(3) Processing flow (in single-transmission mode)

Figure 15-164. Timing Chart of UART Transmission (in Single-Transmission Mode)



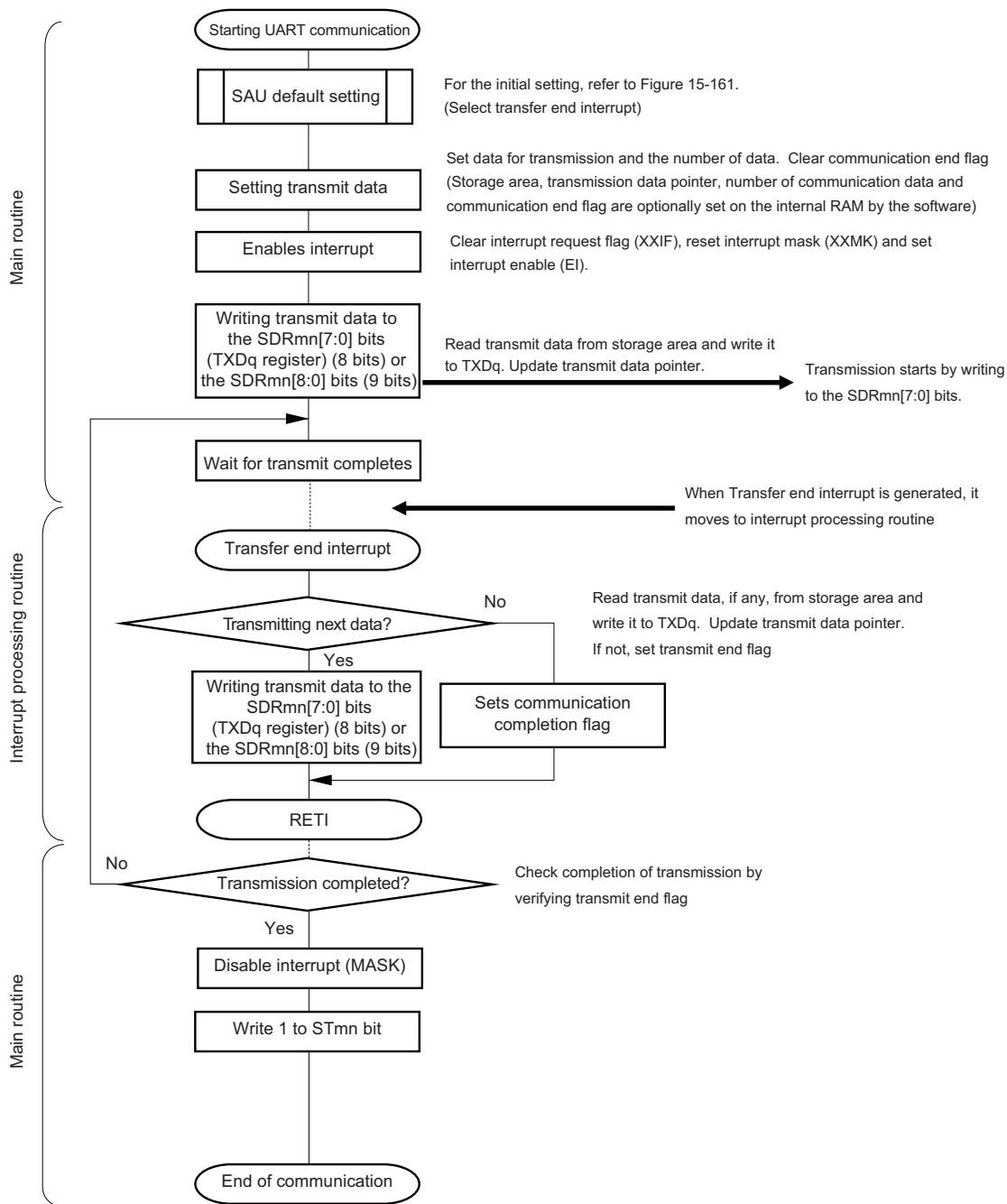
Remark m: Unit number (m = 0 to 2), n: Channel number (n = 0), q: UART number (q = 0, 1)
 mn = 00, 10, 20

Figure 15-165. Flowchart of UART Transmission (in Single-Transmission Mode) (UART0, UART1)



Remark m: Unit number (m = 0, 1), n: Channel number (n = 0), mn = 00, 10

Figure 15-166. Flowchart of UART Transmission (in Single-Transmission Mode) (UART2)



Remark m: Unit number (m = 2), n: Channel number (n = 0), mn = 20, q: UART number (q = 2)

(4) Processing flow (in continuous transmission mode)

Figure 15-167. Timing Chart of UART Transmission (in Continuous Transmission Mode) (UART0, UART1)

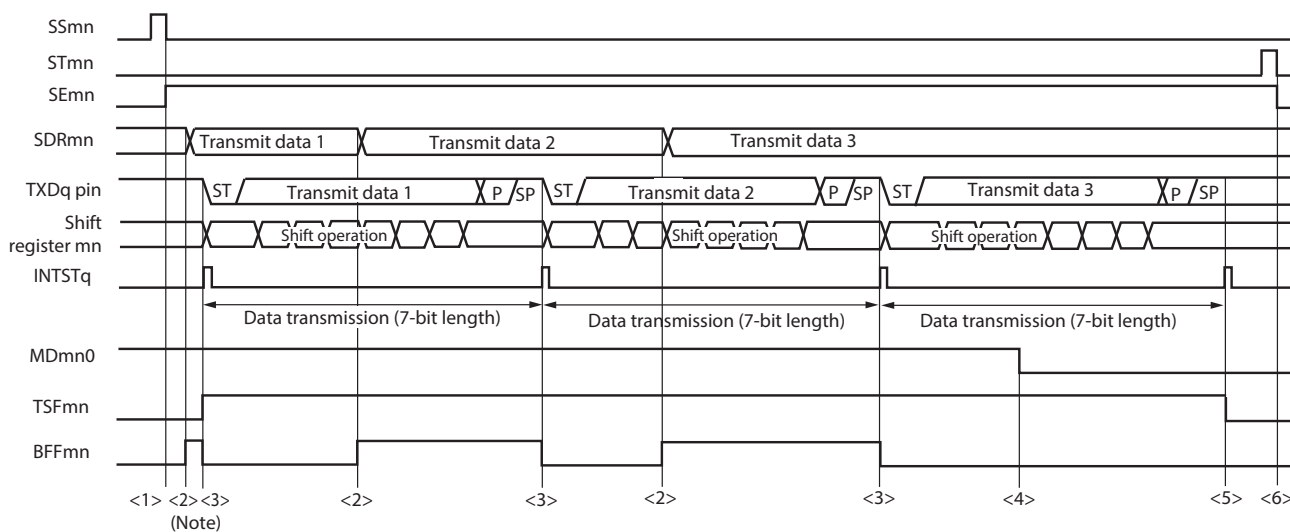
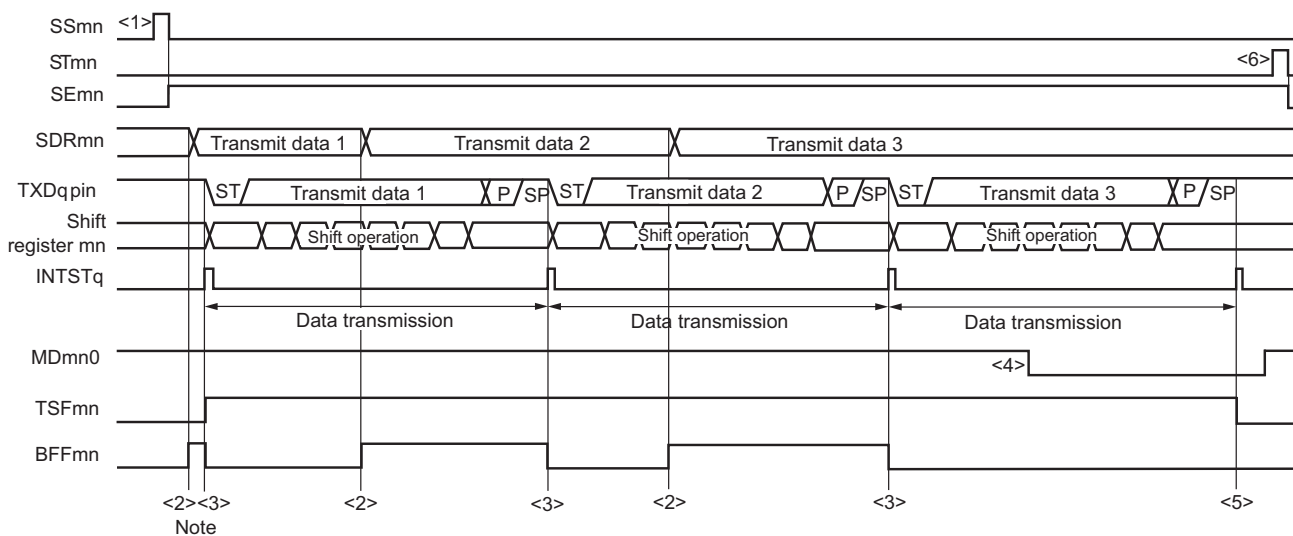


Figure 15-168. Timing Chart of UART Transmission (in Continuous Transmission Mode) (UART2)

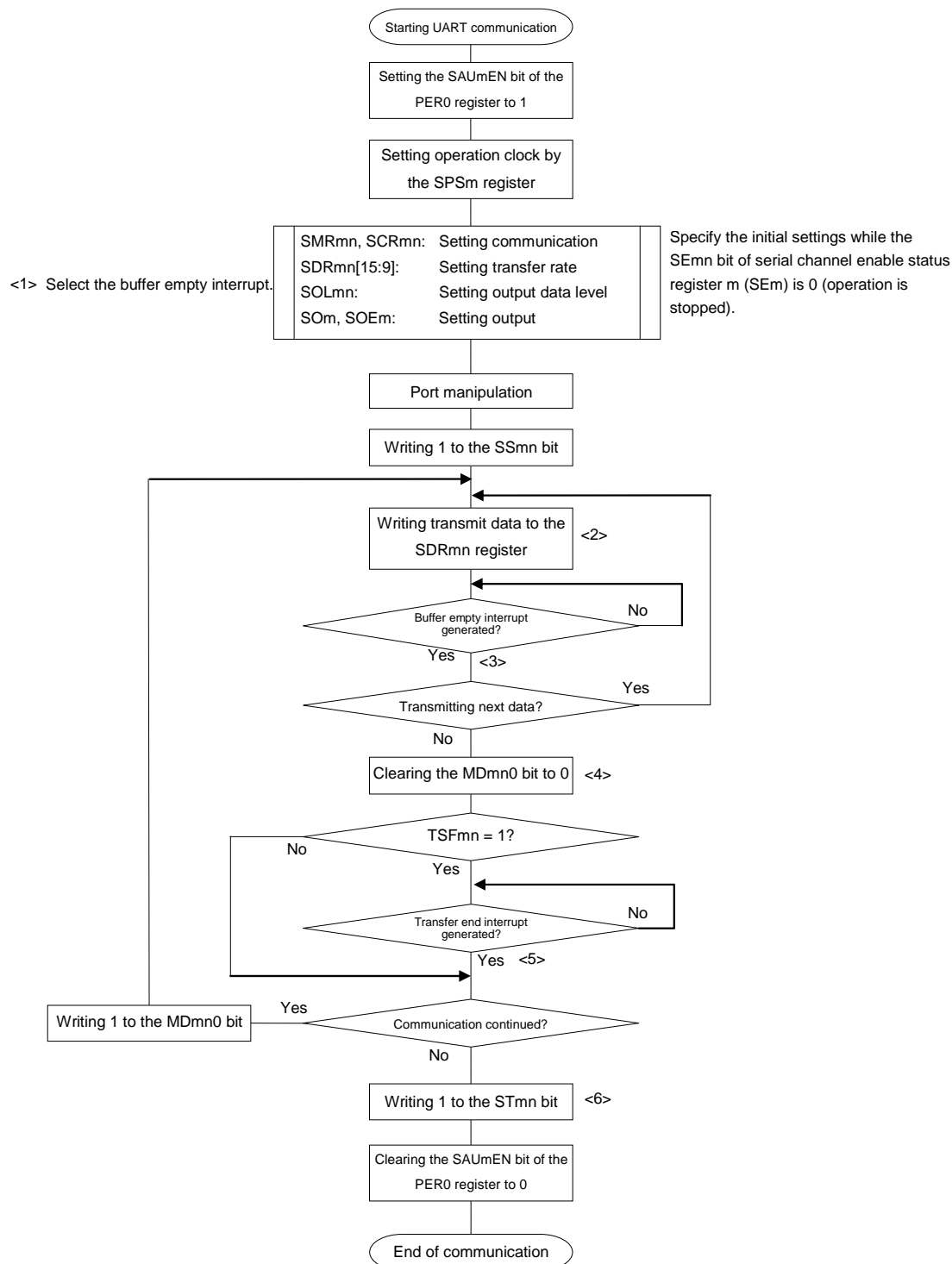


Note If transmit data is written to the SDRmn register while the BFFmn bit of serial status register mn (SSRmn) is 1 (valid data is stored in serial data register mn (SDRmn)), the transmit data is overwritten.

Caution The MDmn0 bit of serial mode register mn (SSRmn) can be rewritten even during operation. However, rewrite it before transfer of the last bit is started, so that it will be rewritten before the transfer end interrupt of the last transmit data.

Remark m: Unit number (m = 0 to 2), n: Channel number (n = 0), q: UART number (q = 0 to 2)
mn = 00, 10, 20

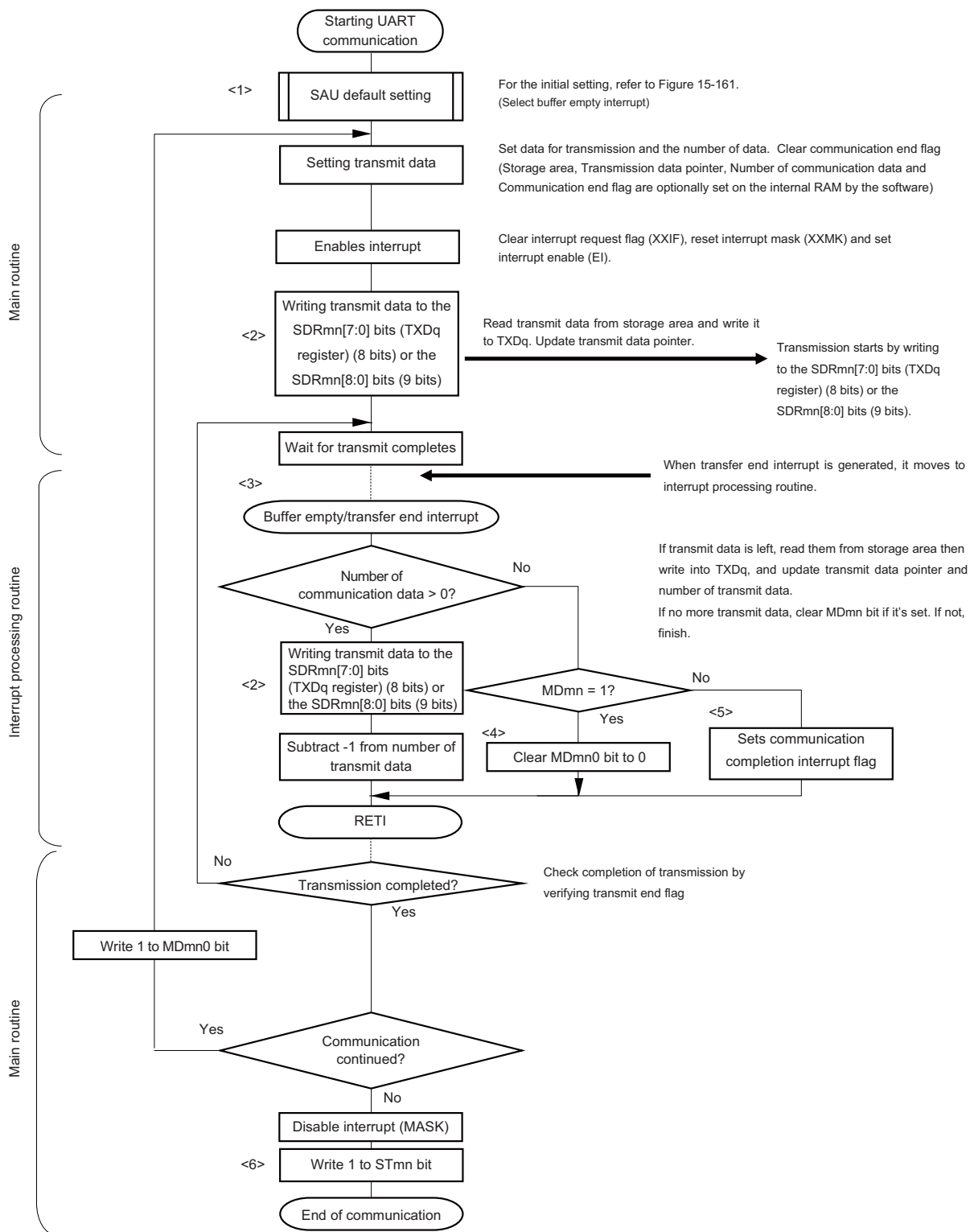
Figure 15-169. Flowchart of UART Transmission (in Continuous Transmission Mode) (UART0, UART1)



Remarks 1. <1> to <6> in the figure correspond to <1> to <6> in Figure 15-167, and Figure 15-168 Timing Chart of UART Transmission (in Continuous Transmission Mode).

2. m: Unit number (m = 0, 1), n: Channel number (n = 0), mn = 00, 10

Figure 15-170. Flowchart of UART Transmission (in Continuous Transmission Mode) (UART2)



Remarks 1. <1> to <6> in the figure correspond to <1> to <6> in Figure 15-167, and Figure 15-168 Timing Chart of UART Transmission (in Continuous Transmission Mode).

2. m: Unit number (m = 2), n: Channel number (n = 0), mn = 20, q: UART number (q = 2)

15.7.2 UART reception

UART reception is an operation wherein this MCU asynchronously receives data from another device (start-stop synchronization).

For UART reception, the odd-number channel of the two channels used for UART is used. The SMR register of both the odd- and even-numbered channels must be set.

UART	UART0	UART1	UART2
Target channel	Channel 1 of SAU0	Channel 1 of SAU1	Channel 1 of SAU2
Pins used	RXD0	RXD1	RXD2
Interrupt	INTSR0	INTSR1	INTSR2
	Transfer end interrupt only (Setting the buffer empty interrupt is prohibited.)		
Error interrupt	None		INTSRE2
Error detection flag	<ul style="list-style-type: none"> • Framing error detection flag (FEF_{mn}) • Parity error detection flag (PEF_{mn}) • Overrun error detection flag (OVF_{mn}) 		
Transfer data length	7 to 9 or 16 bits		7 to 9 bits
Transfer rate	Max. $f_{MCK}/6$ [bps] (SDR _{mn} [15:9] = 3 or more), Min. $f_{CLK}/(2 \times 2^{15} \times 128)$ [bps] ^{Note}		
Data phase	Forward output (default: high level) Reverse output (default: low level)		
Parity bit	The following selectable <ul style="list-style-type: none"> • No parity bit (no parity check) • Appending 0 parity (no parity check) • Appending even parity • Appending odd parity 		
Stop bit	Appending 1 bit		
Data direction	MSB or LSB first		

Note Use this operation within a range that satisfies the conditions above and the AC characteristics in the electrical specifications.

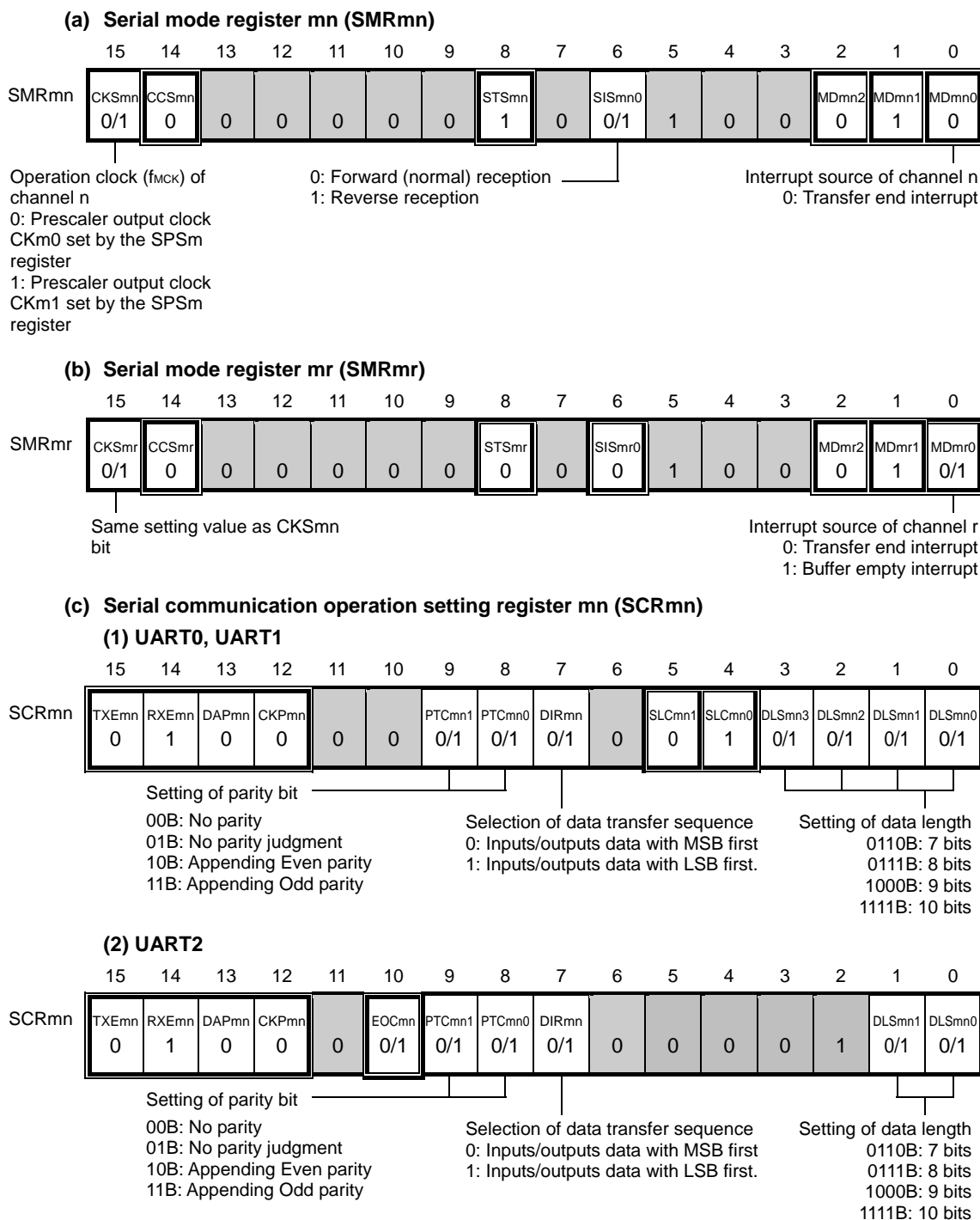
Remarks 1. f_{MCK} : Operation clock frequency of target channel

f_{CLK} : System clock frequency

2. m: Unit number (m = 0 to 2), n: Channel number (n = 1), mn = 01, 11, 21

(1) Register setting

Figure 15-171. Example of Contents of Registers for UART Reception of UART (UART0, UART1, UART2) (1/2)



Caution For the UART reception, be sure to set the SMRmr register of channel r that is to be paired with channel n.

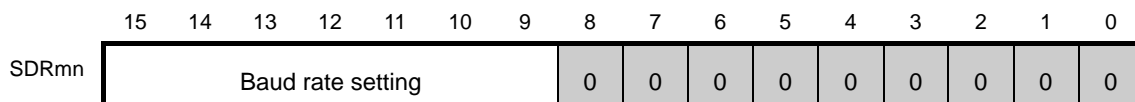
Remarks 1. m: Unit number (m = 0 to 2), n: Channel number (n = 1), mn = 01, 11, 21
 r: Channel number (r = n - 1)

- 2. □: Setting is fixed in the UART reception mode, ■: Setting disabled (set to the initial value)
 ×: Bit that cannot be used in this mode (set to the initial value when not used in any mode)
 0/1: Set to 0 or 1 depending on the usage of the user

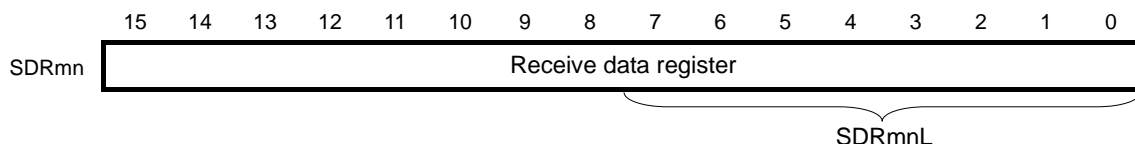
Figure 15-171. Example of Contents of Registers for UART Reception of UART (UART0, UART1, UART2) (2/2)

(d) Serial data register mn (SDRmn)

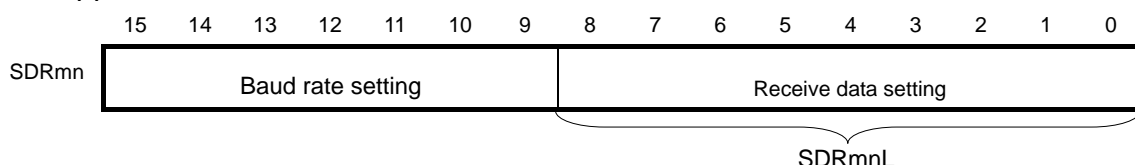
(1) UART0, UART1: When operation is stopped (SEmn = 0)



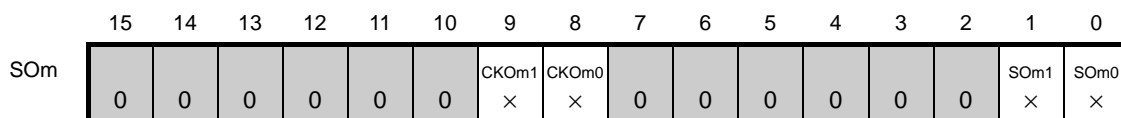
(2) UART0, UART1: When operation is in progress (SEmn = 1) (Lower 8 bits: SDRmnL)



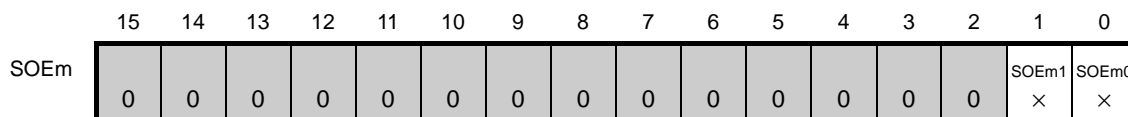
(3) UART2



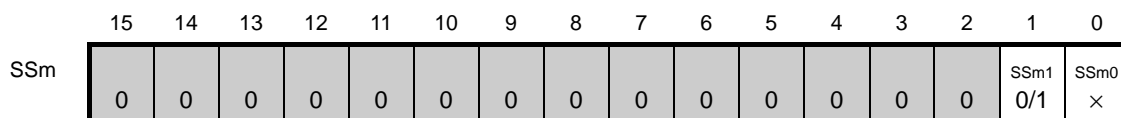
(e) Serial output register m (SOM) ... The register that not used in this mode.



(f) Serial output enable register m (SOEm) ...The register that not used in this mode.



(g) Serial channel start register m (SSm) ... Sets only the bits of the target channel to 1.



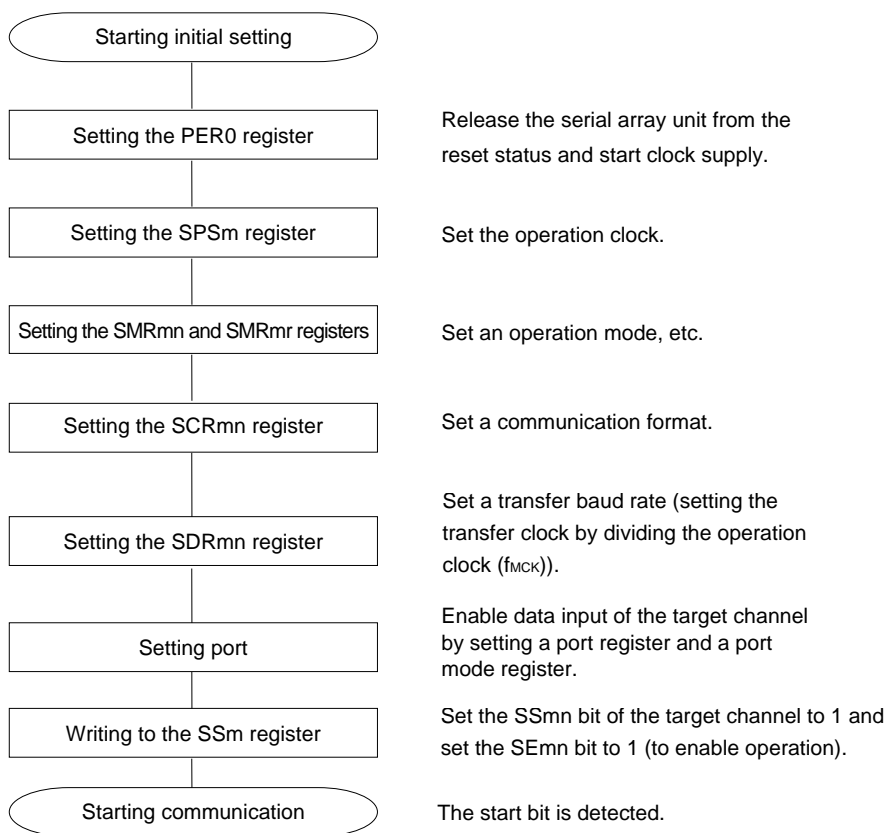
Caution For the UART reception, be sure to set the SMRmr register of channel r that is to be paired with channel n.

Remarks 1. m: Unit number (m = 0 to 2), n: Channel number (n = 1), mn = 01, 11, 21
 r: Channel number (r = n - 1)

- 2. : Setting disabled (set to the initial value)
- ×: Bit that cannot be used in this mode (set to the initial value when not used in any mode)
- 0/1: Set to 0 or 1 depending on the usage of the user

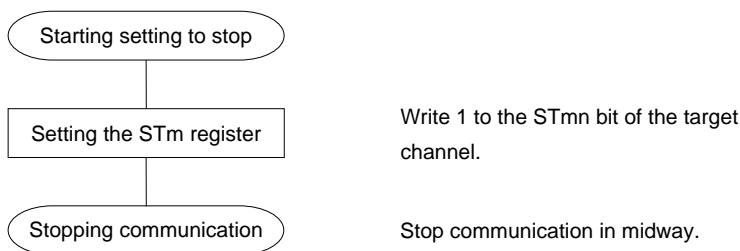
(2) Operation procedure

Figure 15-172. Initial Setting Procedure for UART Reception (UART0, UART1)



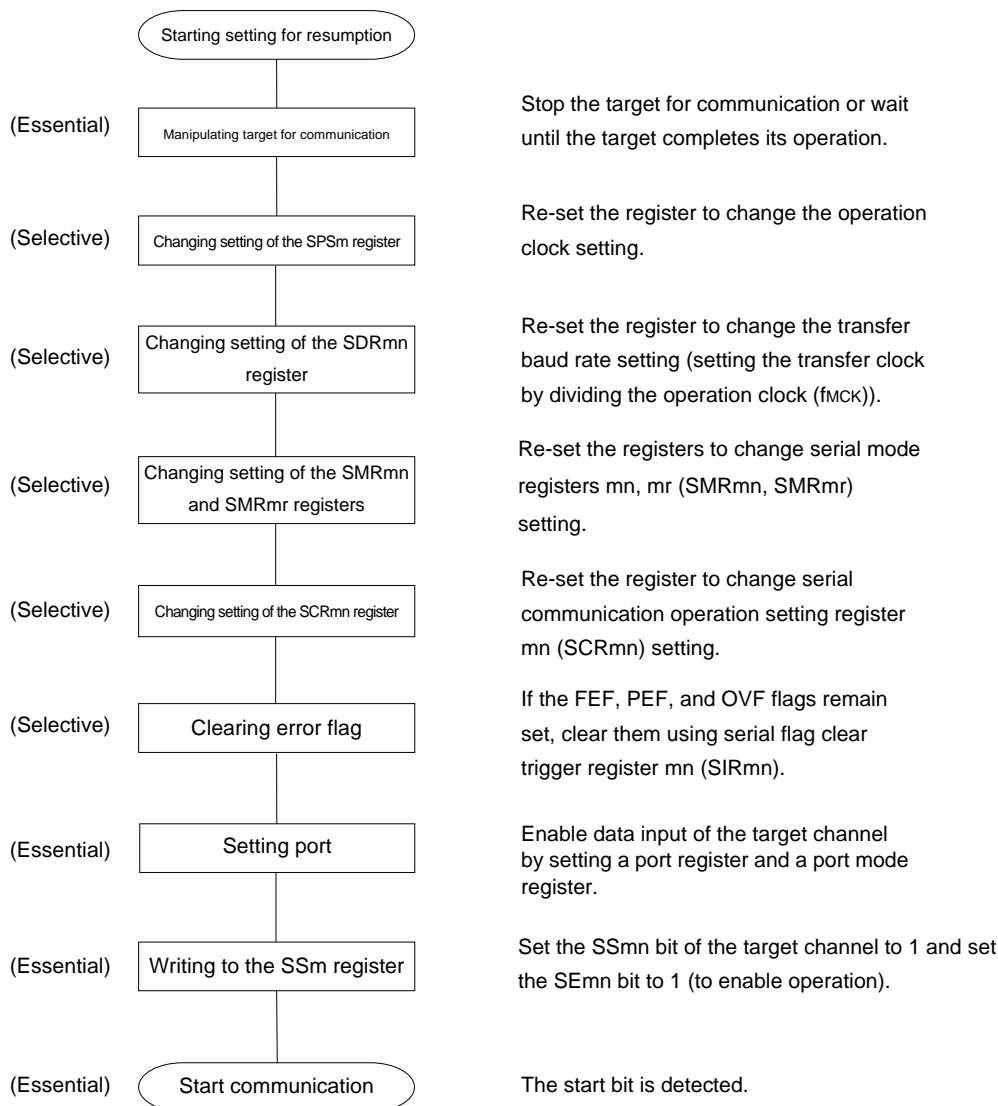
Caution For the UART reception, set the RXEmn bit of SCRmn register to 1, and then be sure to set SSmn to 1 after 4 or more f_{MCK} clocks have elapsed.

Figure 15-173. Procedure for Stopping UART Reception (UART0, UART1)



Remark m: Unit number (m = 0, 1), n: Channel number (n = 1), mn = 01, 11, r: Channel number (r = n - 1)

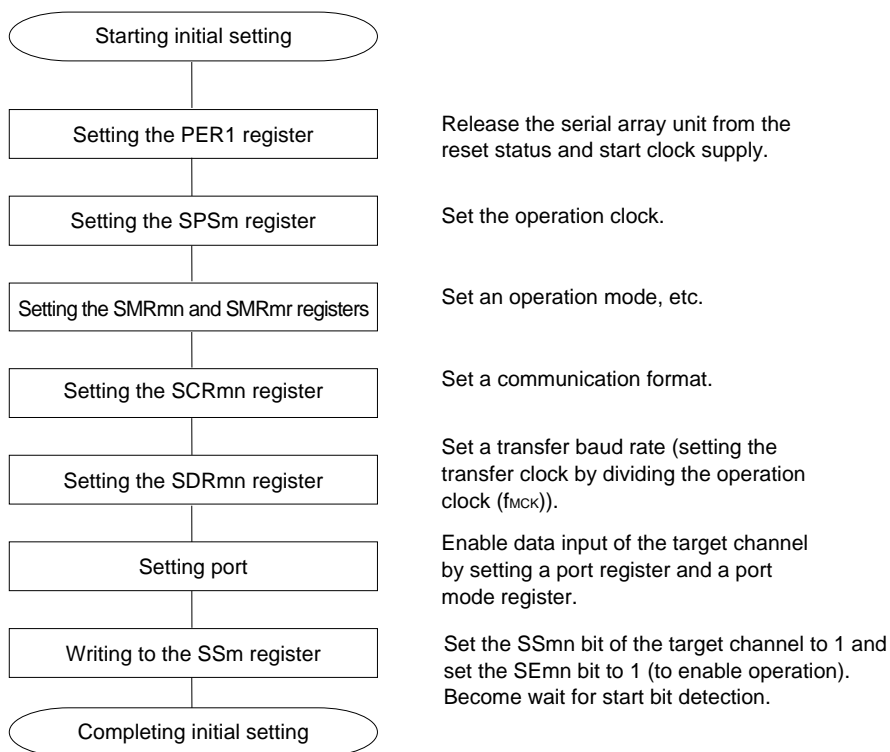
Figure 15-174. Procedure for Resuming UART Reception (UART0, UART1)



Caution For the UART reception, set the RXEmn bit of SCRmn register to 1, and then be sure to set SSmn to 1 after 4 or more fmck clocks have elapsed.

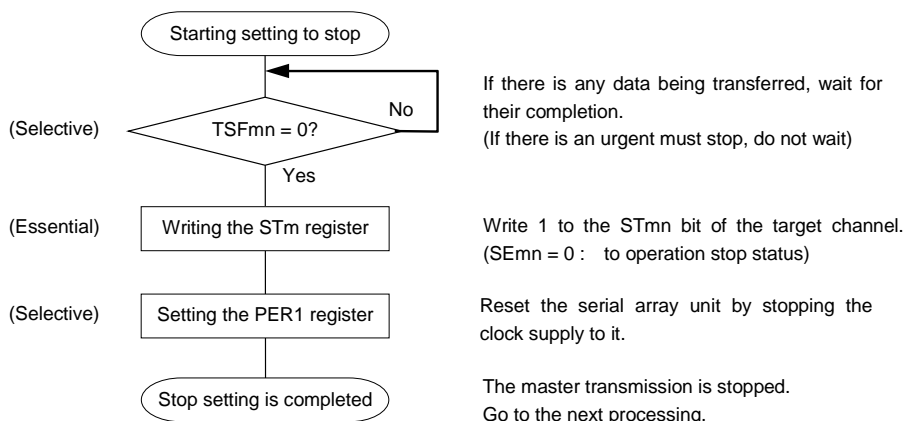
Remark m: Unit number (m = 0, 1), n: Channel number (n = 1), mn = 01, 11, r: Channel number (r = n – 1)

Figure 15-175. Initial Setting Procedure for UART Reception (UART2)



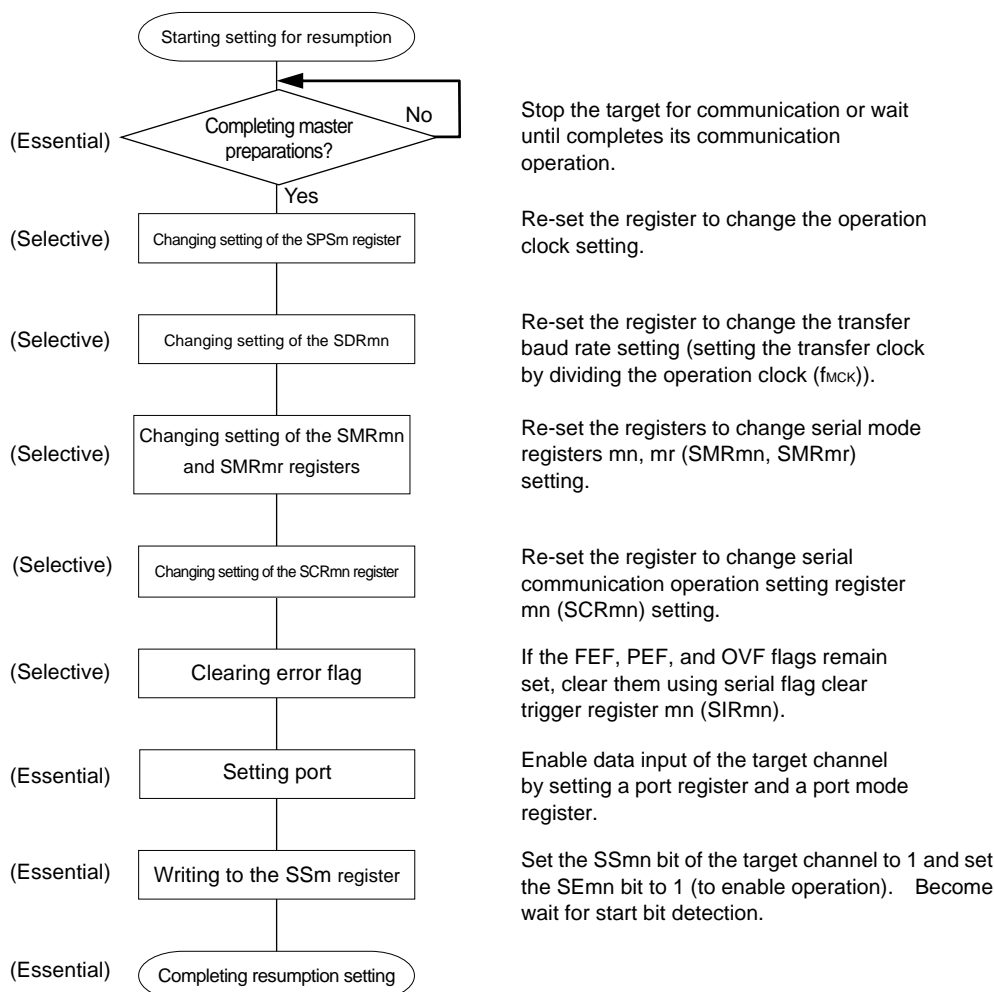
Caution For the UART reception, set the RXEmn bit of SCRmn register to 1, and then be sure to set SSmn to 1 after 4 or more f_{MCK} clocks have elapsed.

Figure 15-176. Procedure for Stopping UART Reception (UART2)



Remark m: Unit number ($m = 2$), n: Channel number ($n = 1$), mn = 21, r: Channel number ($r = n - 1$)

Figure 15-177. Procedure for Resuming UART Reception (UART2)

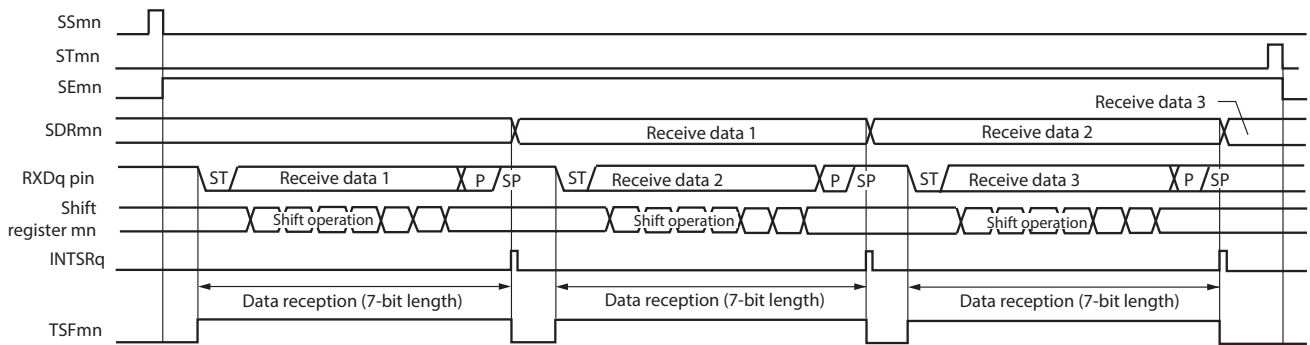


Caution For the UART reception, set the RXEmn bit of SCRmn register to 1, and then be sure to set SSmn to 1 after 4 or more f_{MCK} clocks have elapsed.

- Remarks**
1. If PER1 is rewritten while stopping the master transmission and the clock supply is stopped, wait until the transmission target (slave) stops or transmission finishes, and then perform initialization instead of restarting the transmission.
 2. m: Unit number ($m = 2$), n: Channel number ($n = 1$), mn = 21, r: Channel number ($r = n - 1$)

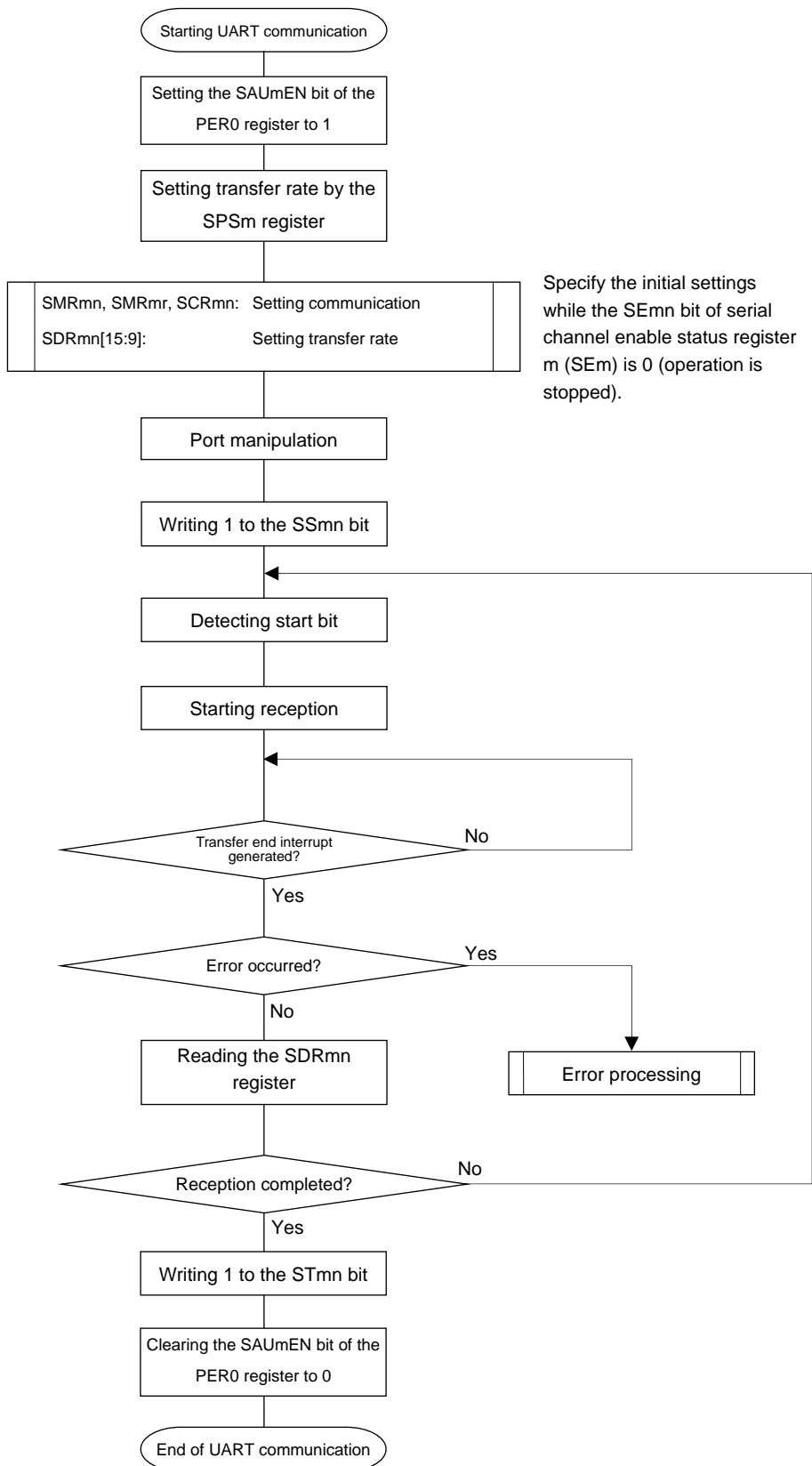
(3) Processing flow

Figure 15-178. Timing Chart of UART Reception



Remark m: Unit number (m = 0 to 2), n: Channel number (n = 1), mn = 01, 11, 21, r: Channel number (r = n - 1), q: UART number (q = 0 to 2)

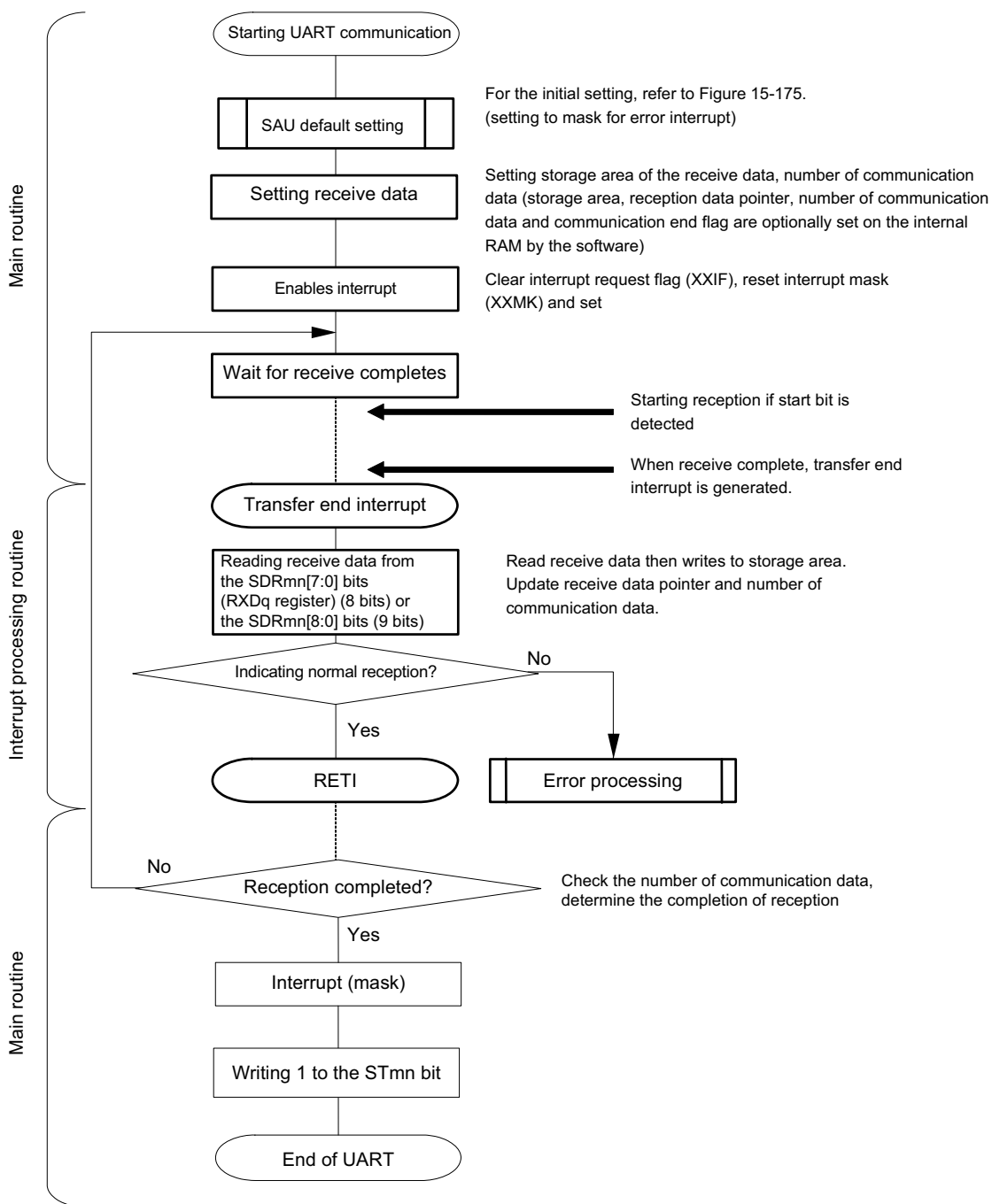
Figure 15-179. Flowchart of UART Reception (UART0, UART1)



Caution For the UART reception, set the RXE_m bit of SCR_mn register to 1, and then be sure to set SS_mn to 1 after 4 or more f_{mck} clocks have elapsed.

Remark m: Unit number (m = 0, 1), n: Channel number (n = 1), mn = 01, 11, r: Channel number (r = n – 1)

Figure 15-180. Flowchart of UART Reception (UART2)



Caution For the UART reception, set the RXEmn bit of SCRmn register to 1, and then be sure to set SSmn to 1 after 4 or more f_{mck} clocks have elapsed.

Remark m: Unit number (m = 2), n: Channel number (n = 1), mn = 21, r: Channel number (r = n – 1), q: UART number (q = 2)

15.7.3 Calculating baud rate

(1) Baud rate calculation expression

The baud rate for UART (UART0, UART1, UART2) communication can be calculated by the following expressions.

$$\text{(Baud rate)} = \{\text{Operation clock (f}_{\text{MCK}}\text{) frequency of target channel}\} \div (\text{SDRmn}[15:9] + 1) \div 2 \text{ [bps]}$$

Caution Setting serial data register mn (SDRmn) SDRmn[15:9] = (0000000B, 0000001B) is prohibited.

Cautions 1. Setting serial data register mn (SDRmn) SDRmn[15:9] = (0000000B, 0000001B) is prohibited for UART0, and UART1.

2. Setting serial data register mn (SDRmn) SDRmn[15:9] = (0000000B, 0000001B, 0000010B) is prohibited for UART2.

- Remarks**
1. When UART0, and UART1 are used, the value of SDRmn[15:9] is the value of bits 15 to 9 of the SDRmn register (0000010B to 1111111B) and therefore is 2 to 127.
 2. When UART2 is used, the value of SDRmn[15:9] is the value of bits 15 to 9 of the SDRmn register (0000011B to 1111111B) and therefore is 3 to 127
 3. m: Unit number (m = 0 to 2), n: Channel number (n = 0, 1), mn = 00, 01, 10, 11, 20, 21

The operation clock (f_{MCK}) is determined by serial clock select register m (SPSm) and bit 15 (CKSmn) of serial mode register mn (SMRmn).

Table 15-4. Selection of Operation Clock For UART

SMRmn Register	SPSm Register								Operation Clock (f _{CLK}) ^{Note 1}	
	CKSmn	PRS m13	PRS m12	PRS m11	PRS m10	PRS m03	PRS m02	PRS m01	PRS m00	f _{CLK} = 32 MHz
0	X	X	X	X	0	0	0	0	f _{CLK}	32 MHz
	X	X	X	X	0	0	0	1	f _{CLK} /2	16 MHz
	X	X	X	X	0	0	1	0	f _{CLK} /2 ²	8 MHz
	X	X	X	X	0	0	1	1	f _{CLK} /2 ³	4 MHz
	X	X	X	X	0	1	0	0	f _{CLK} /2 ⁴	2 MHz
	X	X	X	X	0	1	0	1	f _{CLK} /2 ⁵	1 MHz
	X	X	X	X	0	1	1	0	f _{CLK} /2 ⁶	500 kHz
	X	X	X	X	0	1	1	1	f _{CLK} /2 ⁷	250 kHz
	X	X	X	X	1	0	0	0	f _{CLK} /2 ⁸	125 kHz
	X	X	X	X	1	0	0	1	f _{CLK} /2 ⁹	62.5 kHz
	X	X	X	X	1	0	1	0	f _{CLK} /2 ¹⁰	31.25 kHz
	X	X	X	X	1	0	1	1	f _{CLK} /2 ¹¹	15.63 kHz
	X	X	X	X	1	1	0	0	f _{CLK} /2 ¹² Note 2	7.81 kHz
	X	X	X	X	1	1	0	1	f _{CLK} /2 ¹³ Note 2	3.91 kHz
	X	X	X	X	1	1	1	0	f _{CLK} /2 ¹⁴ Note 2	1.95 kHz
X	X	X	X	1	1	1	1	f _{CLK} /2 ¹⁵ Note 2	977 Hz	
1	0	0	0	0	X	X	X	X	f _{CLK}	32 MHz
	0	0	0	1	X	X	X	X	f _{CLK} /2	16 MHz
	0	0	1	0	X	X	X	X	f _{CLK} /2 ²	8 MHz
	0	0	1	1	X	X	X	X	f _{CLK} /2 ³	4 MHz
	0	1	0	0	X	X	X	X	f _{CLK} /2 ⁴	2 MHz
	0	1	0	1	X	X	X	X	f _{CLK} /2 ⁵	1 MHz
	0	1	1	0	X	X	X	X	f _{CLK} /2 ⁶	500 kHz
	0	1	1	1	X	X	X	X	f _{CLK} /2 ⁷	250 kHz
	1	0	0	0	X	X	X	X	f _{CLK} /2 ⁸	125 kHz
	1	0	0	1	X	X	X	X	f _{CLK} /2 ⁹	62.5 kHz
	1	0	1	0	X	X	X	X	f _{CLK} /2 ¹⁰	31.25 kHz
	1	0	1	1	X	X	X	X	f _{CLK} /2 ¹¹	15.63 kHz
	1	1	0	0	X	X	X	X	f _{CLK} /2 ¹² Note 2	7.81 kHz
	1	1	0	1	X	X	X	X	f _{CLK} /2 ¹³ Note 2	3.91 kHz
	1	1	1	0	X	X	X	X	f _{CLK} /2 ¹⁴ Note 2	1.95 kHz
1	1	1	1	X	X	X	X	f _{CLK} /2 ¹⁵ Note 2	977 Hz	
Other than above									Setting prohibited	

- Notes 1.** When changing the clock selected for f_{CLK} (by changing the system clock control register (CKC) value), do so after having stopped (serial channel stop register m (STm) = 0003H) the operation of the serial array unit (SAU).
- 2.** Unit 2 only.

Remarks 1. X: Don't care

2. m: Unit number (m = 0 to 2), n: Channel number (n = 0, 1), mn = 00, 01, 10, 11, 20, 21

(2) Baud rate error during transmission

The baud rate error of UART (UART0, UART1, UART2) communication during transmission can be calculated by the following expression. Make sure that the baud rate at the transmission side is within the permissible baud rate range at the reception side.

$$(\text{Baud rate error}) = (\text{Calculated baud rate value}) \div (\text{Target baud rate}) \times 100 - 100 [\%]$$

Here is an example of setting a UART baud rate at $f_{\text{CLK}} = 32 \text{ MHz}$.

UART Baud Rate (Target Baud Rate)	$f_{\text{CLK}} = 32 \text{ MHz}$			
	Operation Clock (f_{MCK})	SDR $mn[15:9]$	Calculated Baud Rate	Error from Target Baud Rate
300 bps	$f_{\text{CLK}}/2^9$	103	300.48 bps	+0.16 %
600 bps	$f_{\text{CLK}}/2^8$	103	600.96 bps	+0.16 %
1200 bps	$f_{\text{CLK}}/2^7$	103	1201.92 bps	+0.16 %
2400 bps	$f_{\text{CLK}}/2^6$	103	2403.85 bps	+0.16 %
4800 bps	$f_{\text{CLK}}/2^5$	103	4807.69 bps	+0.16 %
9600 bps	$f_{\text{CLK}}/2^4$	103	9615.38 bps	+0.16 %
19200 bps	$f_{\text{CLK}}/2^3$	103	19230.8 bps	+0.16 %
31250 bps	$f_{\text{CLK}}/2^3$	63	31250.0 bps	$\pm 0.0 \%$
38400 bps	$f_{\text{CLK}}/2^2$	103	38461.5 bps	+0.16 %
76800 bps	$f_{\text{CLK}}/2$	103	76923.1 bps	+0.16 %
153600 bps	f_{CLK}	103	153846 bps	+0.16 %
312500 bps	f_{CLK}	50	313725.5 bps	+0.39 %

Remark m: Unit number (m = 0 to 2), n: Channel number (n = 0), mn = 00, 10, 20

(3) Permissible baud rate range for reception

The permissible baud rate range for reception during UART (UART0, UART1, UART2) communication can be calculated by the following expression. Make sure that the baud rate at the transmission side is within the permissible baud rate range at the reception side.

$$\text{(Maximum receivable baud rate)} = \frac{2 \times k \times \text{Nfr}}{2 \times k \times \text{Nfr} - k + 2} \times \text{Brate}$$

$$\text{(Minimum receivable baud rate)} = \frac{2 \times k \times (\text{Nfr} - 1)}{2 \times k \times \text{Nfr} - k - 2} \times \text{Brate}$$

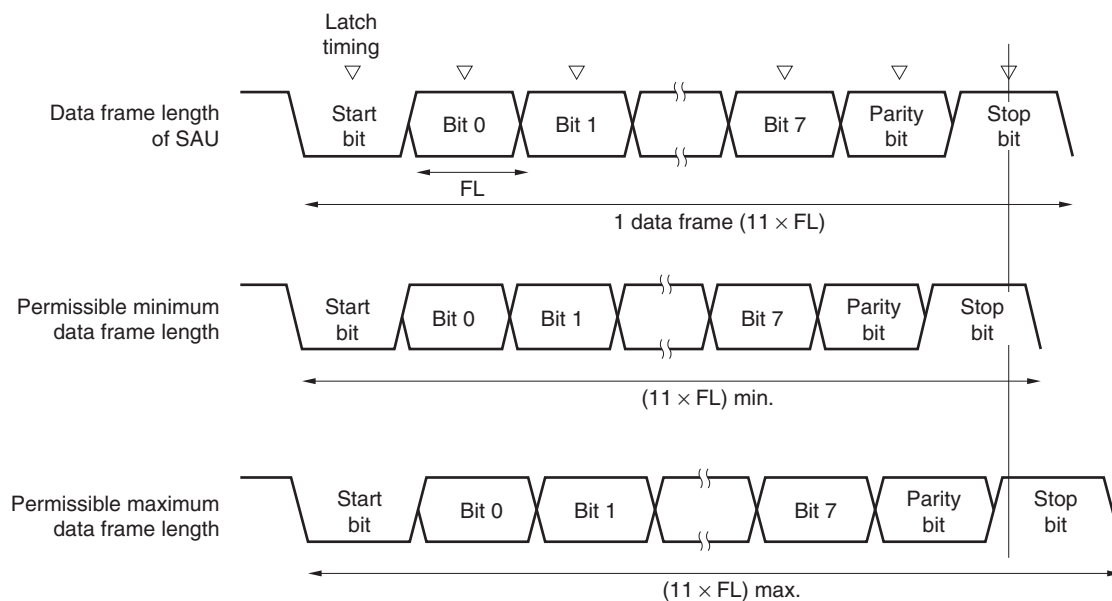
Brate: Calculated baud rate value at the reception side (See 15.7.3 (1) Baud rate calculation expression.)

k: SDRmn[15:9] + 1

Nfr: 1 data frame length [bits]
 = (Start bit) + (Data length) + (Parity bit) + (Stop bit)

Remark m: Unit number (m = 0 to 2), n: Channel number (n = 1), mn = 01, 11, 21

Figure 15-181. Permissible Baud Rate Range for Reception (1 Data Frame Length = 11 Bits)



As shown in Figure 15-181, the timing of latching receive data is determined by the division ratio set by bits 15 to 9 of serial data register mn (SDRmn) after the start bit is detected. If the last data (stop bit) is received before this latch timing, the data can be correctly received.

15.7.4 Procedure for processing errors that occurred during UART (UART0, UART1, UART2) communication

The procedure for processing errors that occurred during UART (UART0, UART1, UART2) communication is described in Figures 15-182 and 15-183.

Figure 15-182. Processing Procedure in Case of Parity Error or Overrun Error

Software Manipulation	Hardware Status	Remark
Reads serial data register mn (SDRmn).	→ The BFFmn bit of the SSRmn register is set to 0 and channel n is enabled to receive data.	This is to prevent an overrun error if the next reception is completed during error processing.
Reads serial status register mn (SSRmn).		Error type is identified and the read value is used to clear error flag.
Writes 1 to serial flag clear trigger register mn (SIRmn).	→ Error flag is cleared.	Error can be cleared only during reading, by writing the value read from the SSRmn register to the SIRmn register without modification.

Figure 15-183. Processing Procedure in Case of Framing Error

Software Manipulation	Hardware Status	Remark
Reads serial data register mn (SDRmn).	→ The BFFmn bit of the SSRmn register is set to 0 and channel n is enabled to receive data.	This is to prevent an overrun error if the next reception is completed during error processing.
Reads serial status register mn (SSRmn).		Error type is identified and the read value is used to clear error flag.
Writes serial flag clear trigger register mn (SIRmn).	→ Error flag is cleared.	Error can be cleared only during reading, by writing the value read from the SSRmn register to the SIRmn register without modification.
Sets the STmn bit of serial channel stop register m (STm) to 1.	→ The SEMn bit of serial channel enable status register m (SEm) is set to 0 and channel n stops operating.	
Synchronization with other party of communication		Synchronization with the other party of communication is re-established and communication is resumed because it is considered that a framing error has occurred because the start bit has been shifted.
Sets the SSmn bit of serial channel start register m (SSm) to 1.	→ The SEMn bit of serial channel enable status register m (SEm) is set to 1 and channel n is enabled to operate.	

Remark m: Unit number (m = 0 to 2), n: Channel number (n = 0, 1), mn = 00, 01, 10, 11, 20, 21

15.8 LIN Communication Operation

15.8.1 LIN transmission

Of UART transmission, UART0 support LIN communication.

For LIN transmission, channel 0 of unit 0 is used.

UART	UART0	UART1, UART2
Support of LIN communication	Supported	Not supported
Target channel	Channel 0 of SAU0	–
Pins used	TXD0	–
Interrupt	INTST0	–
	Transfer end interrupt (in single-transfer mode) or buffer empty interrupt (in continuous transfer mode) can be selected.	
Error detection flag	None	
Transfer data length	8 bits	
Transfer rate	Max. $f_{MCK}/6$ [bps] (SDR00 [15:9] = 2 or more), Min. $f_{CLK}/(2 \times 2^{11} \times 128)$ [bps] ^{Note}	
Data phase	Forward output (default: high level) Reverse output (default: low level)	
Parity bit	No parity bit	
Stop bit	Appending 1 bit	
Data direction	MSB or LSB first	

Note Use this operation within a range that satisfies the conditions above and the AC characteristics in the electrical specifications. The transfer rate of LIN communication is usually set to 2.4, 9.6, or 9.2 kbps.

Remark f_{MCK} : Operation clock frequency of target channel
 f_{CLK} : System clock frequency

LIN stands for Local Interconnect Network and is a low-speed (1 to 20 kbps) serial communication protocol designed to reduce the cost of an automobile network.

Communication of LIN is single-master communication and up to 15 slaves can be connected to one master.

The slaves are used to control switches, actuators, and sensors, which are connected to the master via LIN.

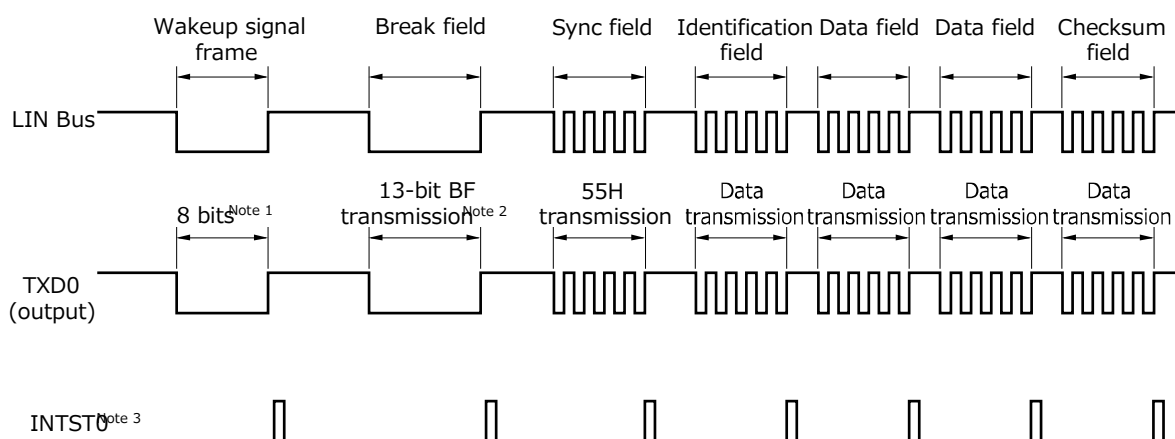
Usually, the master is connected to a network such as CAN (Controller Area Network).

A LIN bus is a single-wire bus to which nodes are connected via transceiver conforming to ISO9141.

According to the protocol of LIN, the master transmits a frame by attaching baud rate information to it. A slave receives this frame and corrects a baud rate error from the master. If the baud rate error of a slave is within ±15%, communication can be established.

Figure 15-184 outlines a transmission operation of LIN.

Figure 15-184. Transmission Operation of LIN

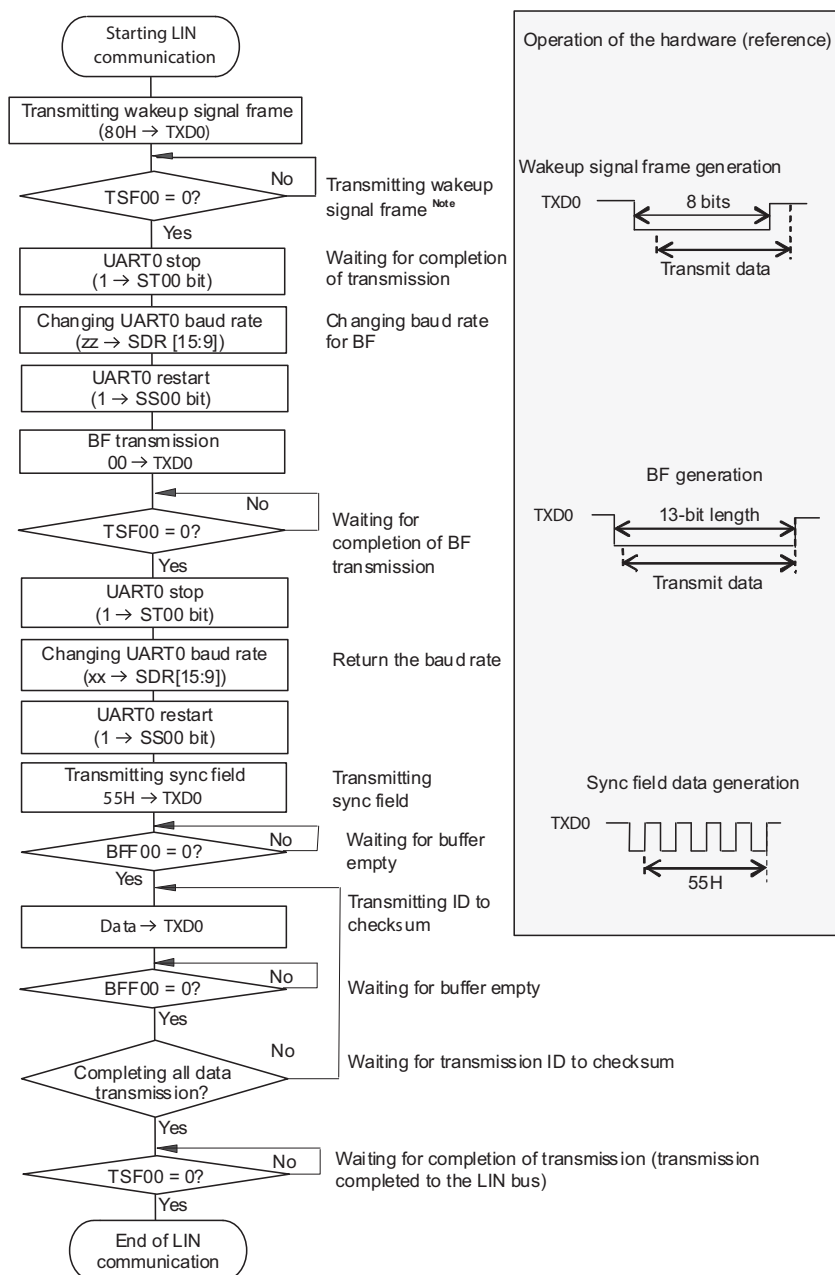


- Notes 1.** Data of 80H is transmitted.
- 2.** A break field is defined to have a width of 13 bits and output a low level. Where the baud rate for main transfer is N [bps], therefore, the baud rate of the break field is calculated as follows.

$$\text{(Baud rate of break field)} = 9/13 \times N$$
 By transmitting data of 00H at this baud rate, a break field is generated.
- 3.** INTST0 is output upon completion of transmission.

Remark The interval between fields is controlled by software.

Figure 15-185. Flowchart for LIN Transmission



Note When LIN-bus start from sleep status only

Remark Default setting of the UART is complete, and the flow from the transmission enable status.

15.8.2 LIN reception

Of UART reception, UART0 support LIN communication.

For LIN reception, channel 1 of unit 0 is used.

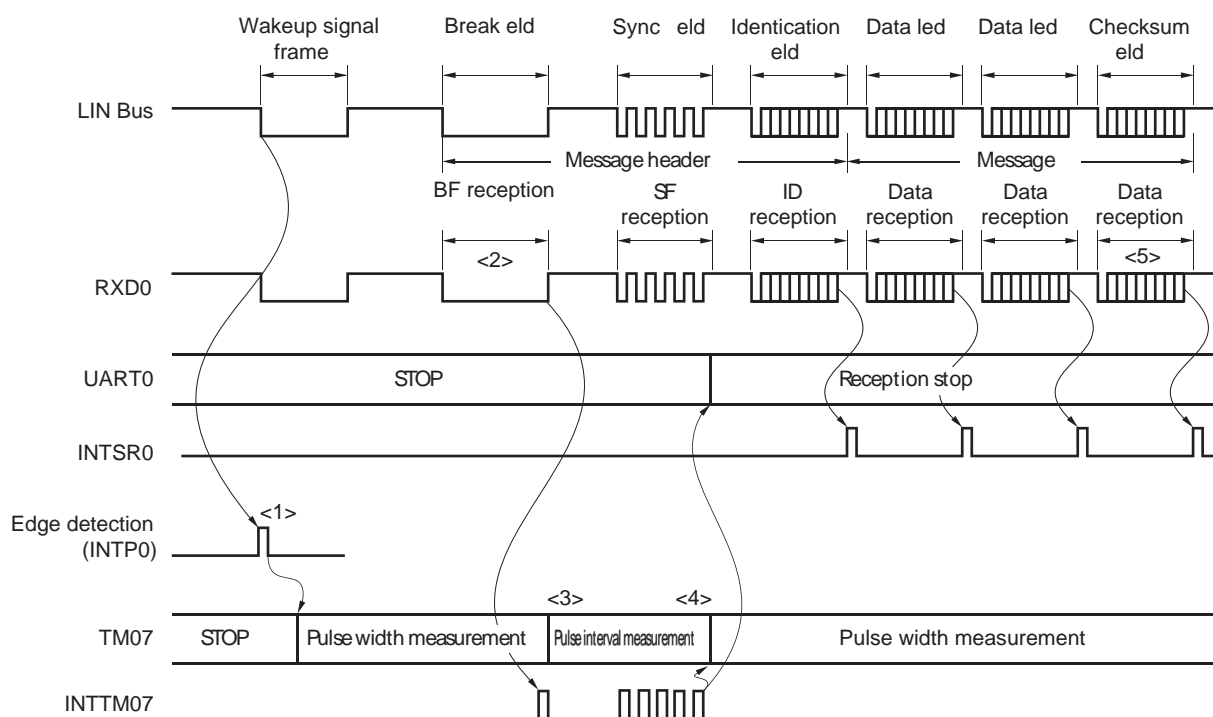
UART	UART0	UART1, UART2
Support of LIN communication	Supported	Not supported
Target channel	Channel 1 of SAU0	–
Pins used	RXD0	–
Interrupt	INTSR0	–
	Transfer end interrupt only (Setting the buffer empty interrupt is prohibited.)	
Error detection flag	<ul style="list-style-type: none"> • Framing error detection flag (FEF01) • Overrun error detection flag (OVF01) 	
Transfer data length	8 bits	
Transfer rate	Max. $f_{MCK}/6$ [bps] (SDR01 [15:9] = 2 or more), Min. $f_{CLK}/(2 \times 2^{11} \times 128)$ [bps] ^{Note}	
Data phase	Forward output (default: high level) Reverse output (default: low level)	
Parity bit	No parity bit (The parity bit is not checked.)	
Stop bit	The first bit is checked.	
Data direction	MSB or LSB first	

Note Use this operation within a range that satisfies the conditions above and the AC characteristics in the electrical specifications.

Remark f_{MCK} : Operation clock frequency of target channel
 f_{CLK} : System clock frequency

Figure 15-186 outlines a reception operation of LIN.

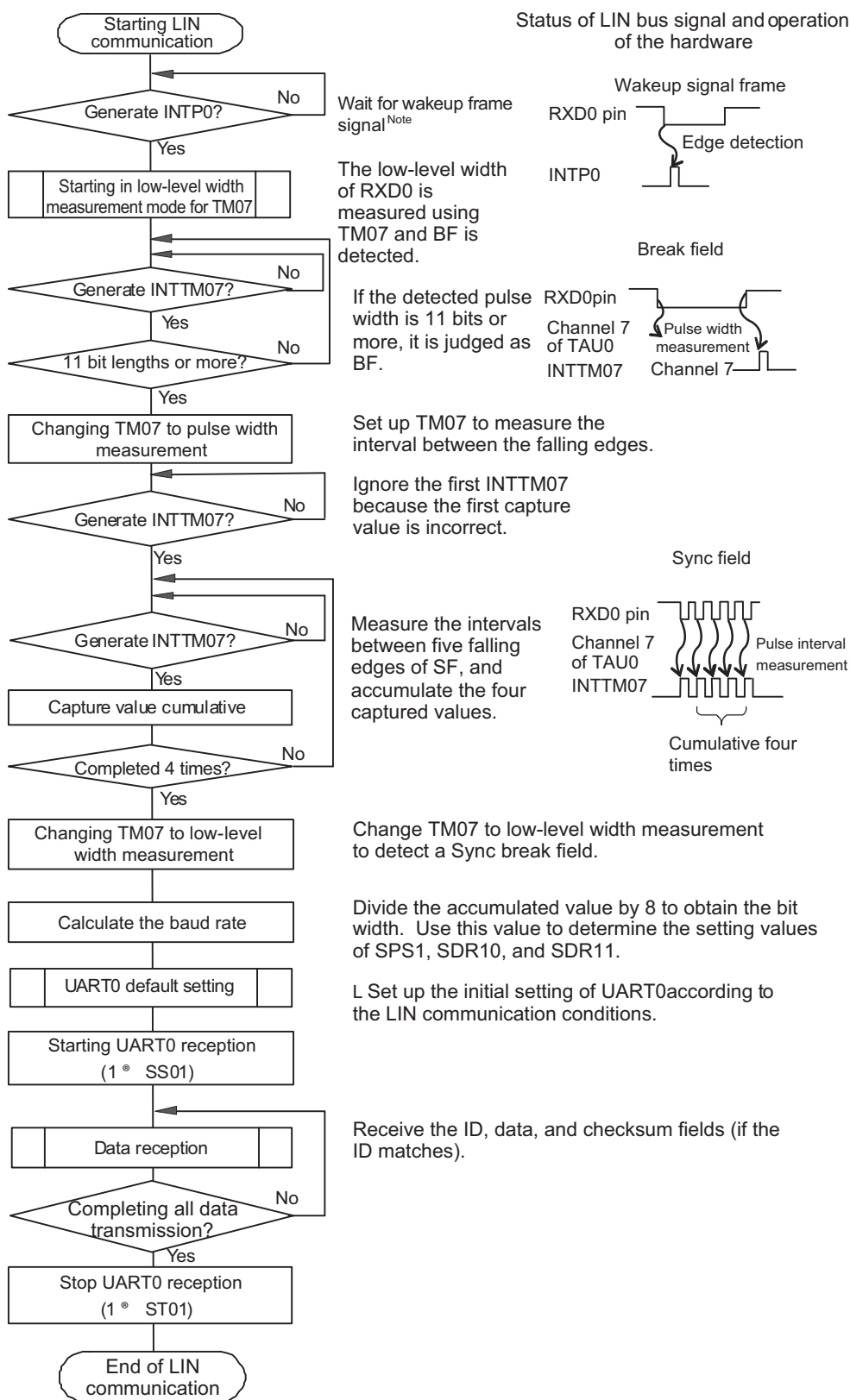
Figure 15-186. Reception Operation of LIN



Here is the flow of signal processing.

- <1> The wakeup signal is detected by detecting an interrupt edge (INTP0) on a pin. When the wakeup signal is detected, change TM07 to pulse width measurement upon detection of the wakeup signal to measure the low-level width of the BF signal. Then wait for BF signal reception.
- <2> TM07 starts measuring the low-level width upon detection of the falling edge of the BF signal, and then captures the data upon detection of the rising edge of the BF signal. The captured data is used to judge whether it is the BF signal.
- <3> When the BF signal has been received normally, change TM07 to pulse interval measurement and measure the interval between the falling edges of the RXD0 signal in the Sync field four times.
- <4> When BF reception has been correctly completed, start channel 7 of the timer array unit and measure the bit interval (pulse width) of the sync field (see **6.7.4 Operation as input pulse interval measurement**).
- <5> Calculate a baud rate error from the bit interval of sync field (SF). Stop UART0 once and adjust (re-set) the baud rate.
- <6> The checksum field should be distinguished by software. In addition, processing to initialize UART0 after the checksum field is received and to wait for reception of BF should also be performed by software.

Figure 15-187. Flowchart for LIN Reception



Note Required in the sleep status only.

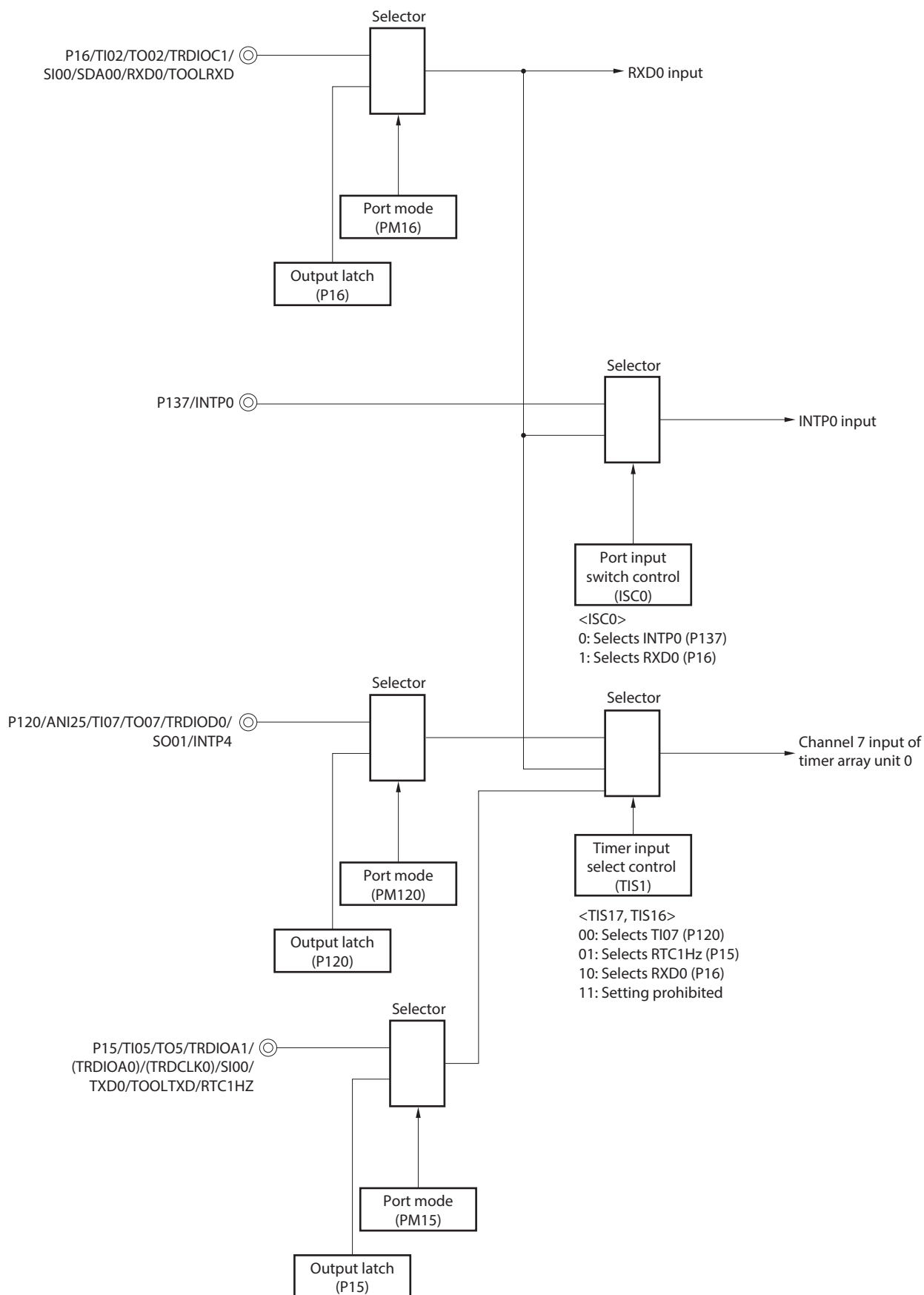
Caution For the UART reception, set the RXEmn bit of SCRmn register to 1, and then be sure to set SSmn to 1 after 4 or more f_{MCK} clocks have elapsed.

Figure 15-188 shows the configuration of a port that manipulates reception of LIN.

The wakeup signal transmitted from the master of LIN is received by detecting an edge of an external interrupt (INTP0). The length of the sync field transmitted from the master can be measured by using the external event capture operation of the timer array unit 0 to calculate a baud-rate error.

By controlling switch of port input (ISC0/TIS1), the input source of port input (RXD0) for reception can be input to the external interrupt pin (INTP0) and timer array unit 0.

Figure 15-188. Port Configuration for Manipulating Reception of LIN



Remark ISC0: Bit 0 of the input switch control register (ISC) (See Figure 15-22.)

The peripheral functions used for the LIN communication operation are as follows.

<Peripheral functions used>

- External interrupt (INTP0); Wakeup signal detection
Usage: To detect an edge of the wakeup signal and the start of communication
- Channel 7 of timer array unit; Baud rate error detection and break field (BF) detection
Usage: To detect the length of the sync field (SF) and divide it by the number of bits in order to detect an error (The interval of the edge input to RXD0 is measured in the capture mode.)
To measure a low-level width and determine whether the field is a break field (BF)
- Channels 0 and 1 (UART0) of serial array unit 0 (SAU0)

15.9 Operation of Simplified I²C (IIC00, IIC01, IIC10, IIC11) Communication

This is a clocked communication function to communicate with two or more devices by using two lines: serial clock (SCL) and serial data (SDA). This communication function is designed to execute single communication with devices such as EEPROM, flash memory, and A/D converter, and therefore, can be used only by the master.

Make sure by using software, as well as operating the control registers, that the AC specifications of the start and stop conditions are observed.

[Data transmission/reception]

- Master transmission, master reception (only master function with a single master)
- ACK output function^{Note} and ACK detection function
- Data length of 8 bits
(When an address is transmitted, the address is specified by the higher 7 bits, and the least significant bit is used for R/W control.)
- Manual generation of start condition and stop condition

[Interrupt function]

- Transfer end interrupt

[Error detection flag]

- Overrun error
- Parity error (ACK error)

* [Functions not supported by simplified I²C]

- Slave transmission, slave reception
- Arbitration loss detection function
- Wait detection function

Note When receiving the last data, ACK will not be output if 0 is written to the SOEmn (SOEm register) bit and serial communication data output is stopped. See **15.9.3 (2) Processing flow** for details.

Remark m: Unit number (m = 0, 1), n: Channel number (n = 0, 1), mn = 00, 01, 10, 11

The channel supporting simplified I²C (IIC00, IIC01, IIC10, IIC11) is channels 0 and 1 of SAU0 and channels 0 and 1 of SAU1.

Unit	Channel	Used as CSI	Used as UART	Used as Simplified I ² C
0	0	CSI00 (supporting SPI function) ^{Note 3}	UART0 (supporting LIN-bus)	IIC00
	1	CSI01 (supporting SPI function) ^{Note 3}		IIC01
1	0	CSI10 (supporting SPI function) ^{Note 1, 3}	UART1	IIC10
	1	CSI11 (supporting SPI function) ^{Note 3}		IIC11
2 ^{Note 2}	0	CSI20	UART2	–
	1	CSI21		–

- Notes**
- 48-pin products do not have $\overline{\text{SSI10}}$ pin.
 - 144, 100-pin only.
 - Set CKPmn bit of SCRmn register to 1, when SSEmn = 1 (Enables $\overline{\text{SSI1mn}}$ pin input).
(m = 0, 1, n = 0, 1)

Simplified I²C (IIC00, IIC01, IIC10, IIC11) performs the following four types of communication operations.

- Address field transmission (See **15.9.1 Address field transmission.**)
- Data transmission (See **15.9.2 Data transmission.**)
- Data reception (See **15.9.3 Data reception.**)
- Stop condition generation (See **15.9.4 Stop condition generation.**)

15.9.1 Address field transmission

Address field transmission is a transmission operation that first executes in I²C communication to identify the target for transfer (slave). After a start condition is generated, an address (7 bits) and a transfer direction (1 bit) are transmitted in one frame.

Simplified I ² C	IIC00	IIC01	IIC10	IIC11
Target channel	Channel 0 of SAU0	Channel 1 of SAU0	Channel 0 of SAU1	Channel 1 of SAU1
Pins used	SCL00, SDA00 ^{Note}	SCL01, SDA01 ^{Note}	SCL10, SDA10 ^{Note}	SCL11, SDA11 ^{Note}
Interrupt	INTIIC00	INTIIC01	INTIIC10	INTIIC11
	Transfer end interrupt only (Setting the buffer empty interrupt is prohibited.)			
Error detection flag	Parity error detection flag (PEFmn)			
Transfer data length	8 bits (transmitted with specifying the higher 7 bits as address and the least significant bit as R/W control)			
Transfer rate	Max. $f_{MCK}/4$ [Hz] ($SDR_{mn}[15:9] = 1$ or more) f_{MCK} : Operation clock frequency of target channel However, the following condition must be satisfied in each mode of I ² C. <ul style="list-style-type: none"> • Max. 400 kHz (first mode) • Max. 100 kHz (standard mode) 			
Data level	Forward output (default: high level)			
Parity bit	No parity bit			
Stop bit	Appending 1 bit (for ACK reception timing)			
Data direction	MSB first			

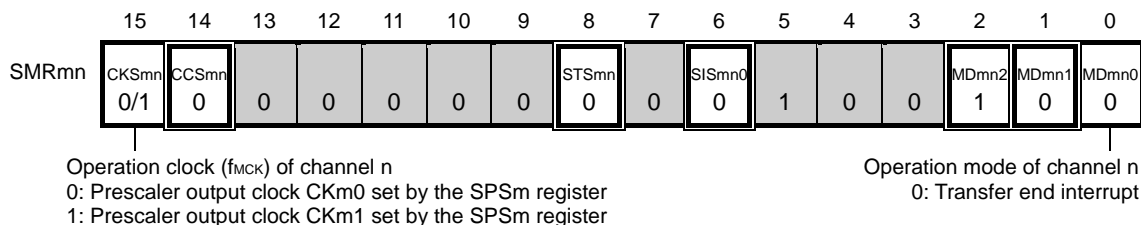
Note To perform communication via simplified I²C, set the N-ch open-drain output (EV_{DD0} tolerance) mode (POM_{xx} = 1) for the port output mode registers (POM_{xx}) (see **4.3 Registers Controlling Port Function** for details). When IIC00, IIC01, IIC10, IIC11 communicating with an external device with a different potential, set the N-ch open-drain output (EV_{DD0} tolerance) mode (POM_{xx} = 1) also for the clock input/output pins (SCL00, SCL01, SCL10, SCL11) (see **4.4.4 Connecting to external device with different potential (3 V)** for details).

Remark m: Unit number (m = 0, 1), n: Channel number (n = 0, 1), mn = 00, 01, 10, 11

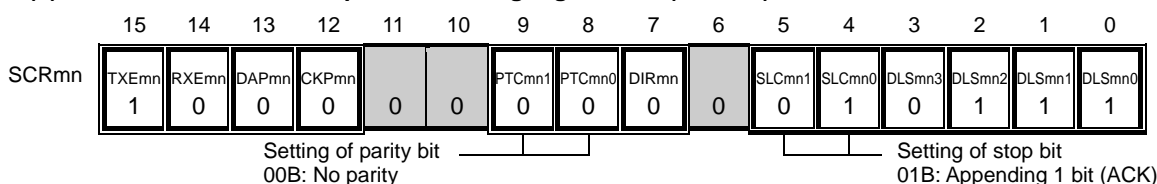
(1) Register setting

Figure 15-189. Example of Contents of Registers for Address Field Transmission of Simplified I²C (IIC00, IIC01, IIC10, IIC11) (1/2)

(a) Serial mode register mn (SMRmn)

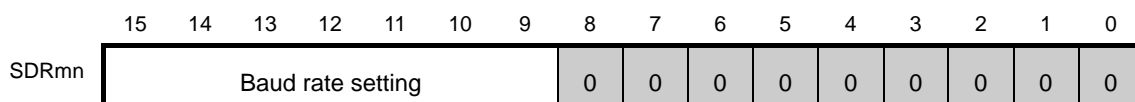


(b) Serial communication operation setting register mn (SCRmn)

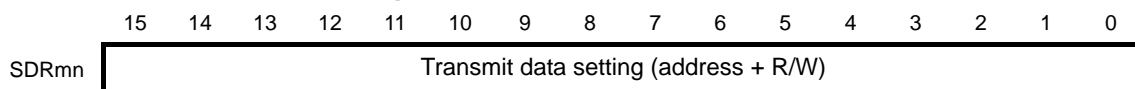


(c) Serial data register mn (SDRmn)

(1) When operation is stopped (SEmn = 0)

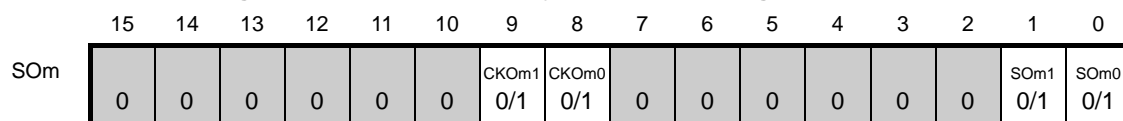


(2) When operation is in progress (SEmn = 1) (Lower 8 bits: SDRrL)



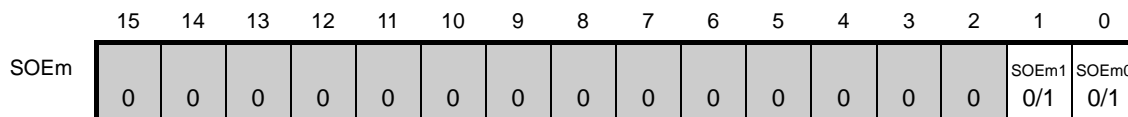
SDRrL

(d) Serial output register m (SOM) ... Sets only the bits of the target channel.



Start condition is generated by manipulating the SOMn bit.

(e) Serial output enable register m (SOEm) ... Sets only the bits of the target channel.



SOEmn = 0 until the start condition is generated, and SOEmn = 1 after generation.

- Remarks 1.** m: Unit number (m = 0, 1), n: Channel number (n = 0, 1), r: IIC number (r = 00, 01, 10, 11), mn = 00, 01, 10, 11
- 2.** □: Setting is fixed in the IIC mode, ■: Setting disabled (set to the initial value)
- ×: Bit that cannot be used in this mode (set to the initial value when not used in any mode)
- 0/1: Set to 0 or 1 depending on the usage of the user

Figure 15-189. Example of Contents of Registers for Address Field Transmission of Simplified I²C (IIC00, IIC01, IIC10, IIC11) (2/2)

(f) **Serial channel start register m (SSm) ... Sets only the bits of the target channel to 1.**

	15	14	13	12	11	10	9	8	7	6	5	4	3	2	1	0
SSm	0	0	0	0	0	0	0	0	0	0	0	0	0	0	SSm1 0/1	SSm0 0/1

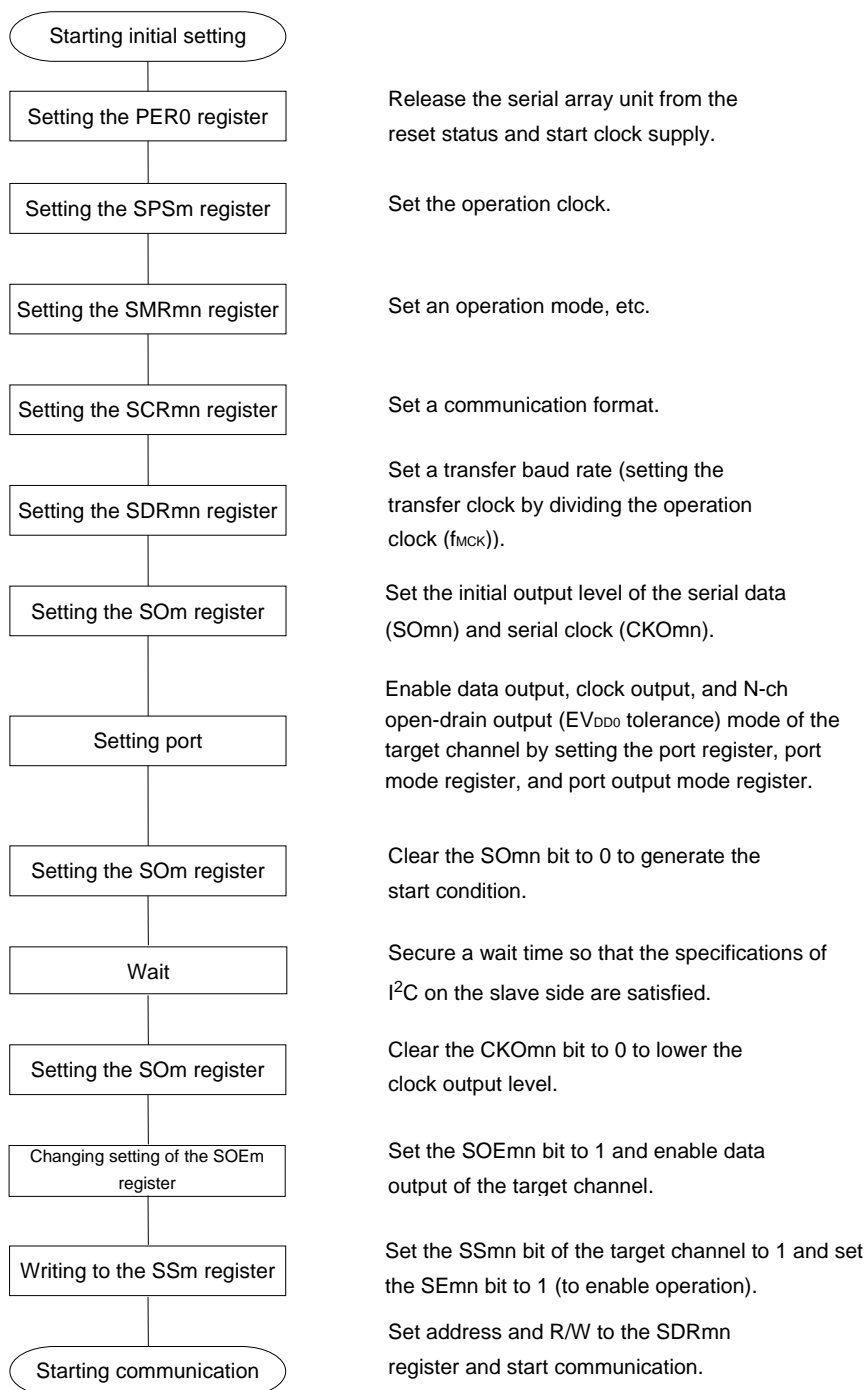
Remarks 1. m: Unit number (m = 0, 1), n: Channel number (n = 0, 1), r: IIC number (r = 00, 01, 10, 11),
mn = 00, 01, 10, 11

2. : Setting disabled (set to the initial value)

0/1: Set to 0 or 1 depending on the usage of the user

(2) Operation procedure

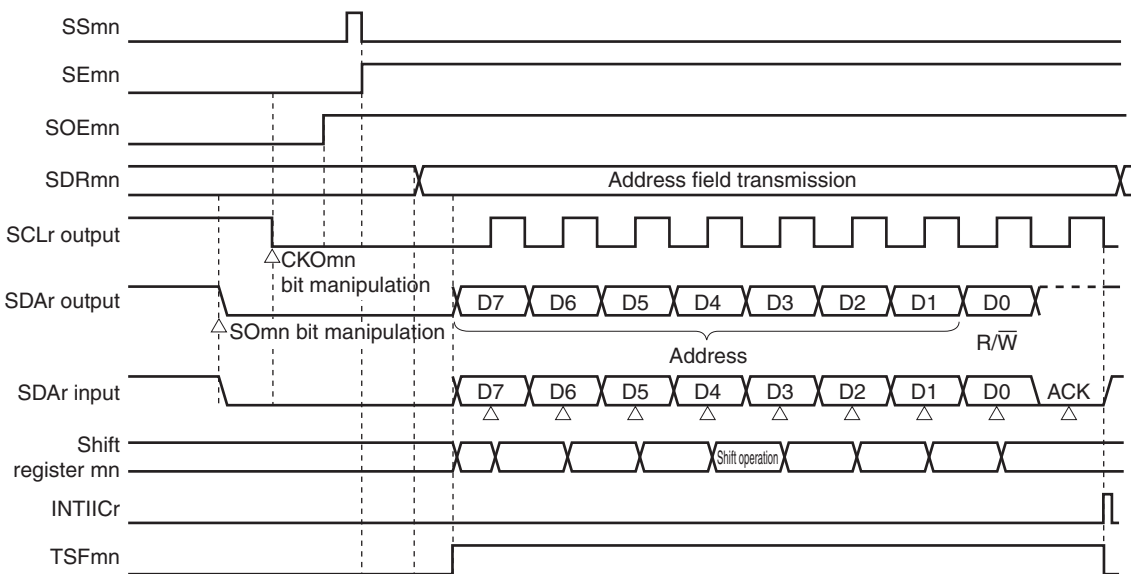
Figure 15-190. Initial Setting Procedure for Address Field Transmission



Remark m: Unit number (m = 0, 1), n: Channel number (n = 0, 1), mn = 00, 01, 10, 11

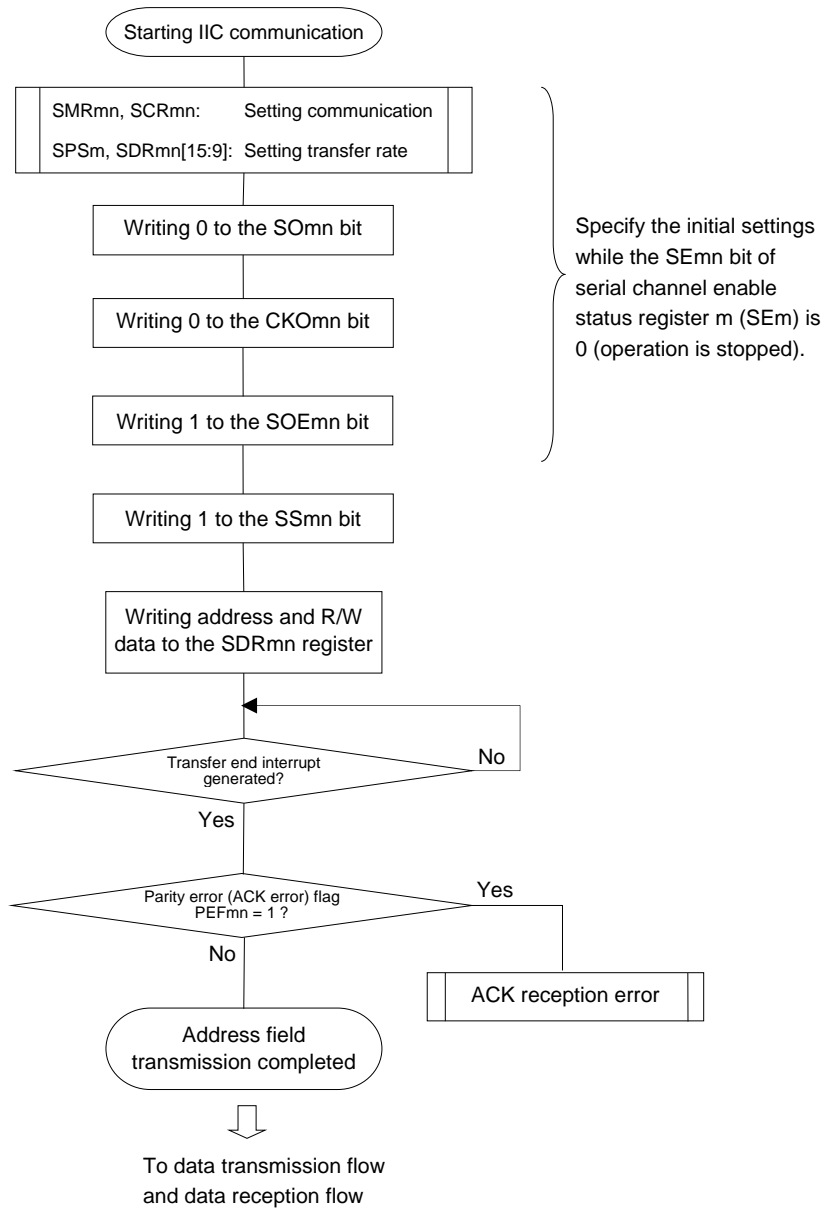
(3) Processing flow

Figure 15-191. Timing Chart of Address Field Transmission



Remark m: Unit number (m = 0, 1), n: Channel number (n = 0, 1), r: IIC number (r = 00, 01, 10, 11), mn = 00, 01, 10, 11

Figure 15-192. Flowchart of Address Field Transmission



Remark m: Unit number (m = 0, 1), n: Channel number (n = 0, 1), mn = 00, 01, 10, 11

15.9.2 Data transmission

Data transmission is an operation to transmit data to the target for transfer (slave) after transmission of an address field. After all data are transmitted to the slave, a stop condition is generated and the bus is released.

Simplified I ² C	IIC00	IIC01	IIC10	IIC11
Target channel	Channel 0 of SAU0	Channel 1 of SAU0	Channel 0 of SAU1	Channel 1 of SAU1
Pins used	SCL00, SDA00 ^{Note}	SCL01, SDA01 ^{Note}	SCL10, SDA10 ^{Note}	SCL11, SDA11 ^{Note}
Interrupt	INTIIC00	INTIIC01	INTIIC10	INTIIC11
	Transfer end interrupt only (Setting the buffer empty interrupt is prohibited.)			
Error detection flag	Parity error detection flag (PEFmn)			
Transfer data length	8 bits			
Transfer rate	Max. $f_{MCK}/4$ [Hz] (SDRmn[15:9] = 1 or more) f_{MCK} : Operation clock frequency of target channel However, the following condition must be satisfied in each mode of I ² C. <ul style="list-style-type: none"> • Max. 400 kHz (first mode) • Max. 100 kHz (standard mode) 			
Data level	Forward output (default: high level)			
Parity bit	No parity bit			
Stop bit	Appending 1 bit (for ACK reception timing)			
Data direction	MSB first			

Note To perform communication via simplified I²C, set the N-ch open-drain output (EV_{DD0} tolerance) mode (POMxx = 1) for the port output mode registers (POMxx) (see **4.3 Registers Controlling Port Function** for details). When IIC00, IIC01, IIC10, IIC11 communicating with an external device with a different potential, set the N-ch open-drain output (EV_{DD0} tolerance) mode (POMxx = 1) also for the clock input/output pins (SCL00, SCL01, SCL10, SCL11) (see **4.4.4 Connecting to external device with different potential (3 V)** for details).

Remark m: Unit number (m = 0, 1), n: Channel number (n = 0, 1), mn = 00, 01, 10, 11

(1) Register setting

Figure 15-193. Example of Contents of Registers for Data Transmission of Simplified I²C (IIC00, IIC01, IIC10, IIC11) (1/2)

(a) Serial mode register mn (SMRmn) ... Do not manipulate this register during data transmission/reception.

	15	14	13	12	11	10	9	8	7	6	5	4	3	2	1	0
SMRmn	CKSmn	CCSmn						STSmn		SISmn0				MDmn2	MDmn1	MDmn0
	0/1	0	0	0	0	0	0	0	0	0	1	0	0	1	0	0

(b) Serial communication operation setting register mn (SCRmn) ... Do not manipulate the bits of this register, except the TXEmn and RXEmn bits, during data transmission/reception.

	15	14	13	12	11	10	9	8	7	6	5	4	3	2	1	0
SCRmn	TXEmn	RXEmn	DAPmn	CKPmn			PTCmn1	PTCmn0	DIRmn		SLCmn1	SLCmn0	DLSmn3	DLSmn2	DLSmn1	DLSmn0
	1	0	0	0	0	0	0	0	0	0	0	1	0	1	1	1

(c) Serial data register mn (SDRmn)

(1) When operation is stopped (SEmn = 0)

	15	14	13	12	11	10	9	8	7	6	5	4	3	2	1	0
SDRmn	Baud rate setting ^{Note 1}							0	0	0	0	0	0	0	0	0

(2) When operation is in progress (SEmn = 1) (Lower 8 bits: SDRrL)

	15	14	13	12	11	10	9	8	7	6	5	4	3	2	1	0
SDRmn	Transmit data setting															
									SDRrL							

(d) Serial output register m (SOM) ... Do not manipulate this register during data transmission/reception.

	15	14	13	12	11	10	9	8	7	6	5	4	3	2	1	0
SOM	0	0	0	0	0	0	CKOm1	CKOm0							SOM1	SOM0
							0/1 ^{Note 2}	0/1 ^{Note 2}	0	0	0	0	0	0	0/1 ^{Note 2}	0/1 ^{Note 2}

(e) Serial output enable register m (SOEm) ... Do not manipulate this register during data transmission/reception.

	15	14	13	12	11	10	9	8	7	6	5	4	3	2	1	0
SOEm	0	0	0	0	0	0	0	0	0	0	0	0	0	0	SOE1	SOE0
															0/1	0/1

Notes 1. Setting these bits is unnecessary because they are set for transmission of an address field.

2. The value varies depending ... on the communication data during communication operation.

Remarks 1. m: Unit number (m = 0, 1), n: Channel number (n = 0, 1), r: IIC number (r = 00, 01, 10, 11), mn = 00, 01, 10, 11

2. : Setting is fixed in the IIC mode, : Setting disabled (set to the initial value)

×: Bit that cannot be used in this mode (set to the initial value when not used in any mode)

0/1: Set to 0 or 1 depending on the usage of the user

Figure 15-193. Example of Contents of Registers for Data Transmission of Simplified I²C (IIC00, IIC01, IIC10, IIC11) (2/2)

(f) Serial channel start register m (SSm) ... Do not manipulate this register during data transmission/reception.

	15	14	13	12	11	10	9	8	7	6	5	4	3	2	1	0
SSm	0	0	0	0	0	0	0	0	0	0	0	0	0	0	SSm1 0/1	SSm0 0/1

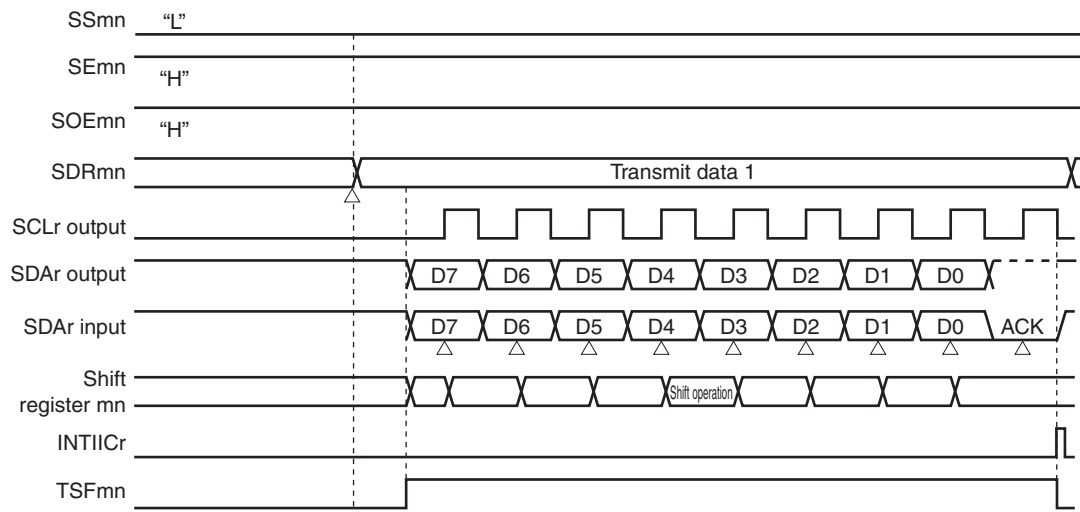
Remarks 1. m: Unit number (m = 0, 1), n: Channel number (n = 0, 1), r: IIC number (r = 00, 01, 10, 11), mn = 00, 01, 10, 11

2. : Setting disabled (set to the initial value)

0/1: Set to 0 or 1 depending on the usage of the user

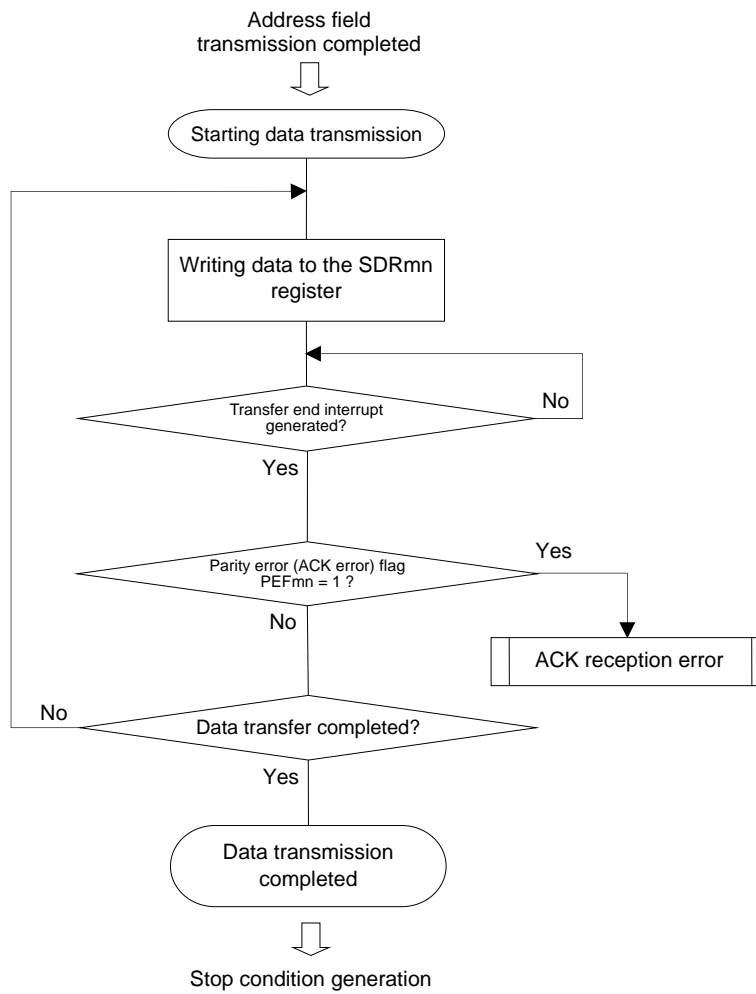
(2) Processing flow

Figure 15-194. Timing Chart of Data Transmission



Remark m: Unit number (m = 0, 1), n: Channel number (n = 0, 1), r: IIC number (r = 00, 01, 10, 11), mn = 00, 01, 10, 11

Figure 15-195. Flowchart of Data Transmission



Remark m: Unit number (m = 0, 1), n: Channel number (n = 0, 1), r: IIC number (r = 00, 01, 10, 11), mn = 00, 01, 10, 11

15.9.3 Data reception

Data reception is an operation to receive data to the target for transfer (slave) after transmission of an address field. After all data are received to the slave, a stop condition is generated and the bus is released.

Simplified I ² C	IIC00	IIC01	IIC10	IIC11
Target channel	Channel 0 of SAU0	Channel 1 of SAU0	Channel 0 of SAU1	Channel 1 of SAU1
Pins used	SCL00, SDA00 ^{Note}	SCL01, SDA01 ^{Note}	SCL10, SDA10 ^{Note}	SCL11, SDA11 ^{Note}
Interrupt	INTIIC00	INTIIC01	INTIIC10	INTIIC11
	Transfer end interrupt only (Setting the buffer empty interrupt is prohibited.)			
Error detection flag	Overrun error detection flag (OVFmn) only			
Transfer data length	8 bits			
Transfer rate	Max. $f_{MCK}/4$ [Hz] (SDRmn[15:9] = 1 or more) f_{MCK} : Operation clock frequency of target channel However, the following condition must be satisfied in each mode of I ² C. <ul style="list-style-type: none"> • Max. 400 kHz (first mode) • Max. 100 kHz (standard mode) 			
Data level	Forward output (default: high level)			
Parity bit	No parity bit			
Stop bit	Appending 1 bit (ACK transmission)			
Data direction	MSB first			

Note To perform communication via simplified I²C, set the N-ch open-drain output (EV_{DD0} tolerance) mode (POMxx = 1) for the port output mode registers (POMxx) (see **4.3 Registers Controlling Port Function** for details). When IIC00, IIC01, IIC10, IIC11 communicating with an external device with a different potential, set the N-ch open-drain output (EV_{DD0} tolerance) mode (POMxx = 1) also for the clock input/output pins (SCL00, SCL01, SCL10, SCL11) (see **4.4.4 Connecting to external device with different potential (3 V)** for details).

Remark m: Unit number (m = 0, 1), n: Channel number (n = 0, 1), mn = 00, 01, 10, 11

(1) Register setting

Figure 15-196. Example of Contents of Registers for Data Reception of Simplified I²C (IIC00, IIC01, IIC10, IIC11) (1/2)

(a) Serial mode register mn (SMRmn) ... Do not manipulate this register during data transmission/reception.

	15	14	13	12	11	10	9	8	7	6	5	4	3	2	1	0
SMRmn	CKSmn	CCSmn						STSmn		SISmn0				MDmn2	MDmn1	MDmn0
	0/1	0	0	0	0	0	0	0	0	0	1	0	0	1	0	0

(b) Serial communication operation setting register mn (SCRmn) ... Do not manipulate the bits of this register, except the TXEmn and RXEmn bits, during data transmission/reception.

	15	14	13	12	11	10	9	8	7	6	5	4	3	2	1	0
SCRmn	TXEmn	RXEmn	DAPmn	CKPmn			PTCmn1	PTCmn0	DIRmn		SLCmn1	SLCmn0	DLSmn3	DLSmn2	DLSmn1	DLSmn0
	0	1	0	0	0	0	0	0	0	0	0	1	0	1	1	1

(c) Serial data register mn (SDRmn)

(1) When operation is stopped (SEmn = 0)

	15	14	13	12	11	10	9	8	7	6	5	4	3	2	1	0
SDRmn	Baud rate setting ^{Note 1}							0	0	0	0	0	0	0	0	0

(2) When operation is in progress (SEmn = 1) (Lower 8 bits: SDRrL)

	15	14	13	12	11	10	9	8	7	6	5	4	3	2	1	0
SDRmn	Dummy transmit data setting (FFH)															
									SDRrL							

(d) Serial output register m (SOM) ... Do not manipulate this register during data transmission/reception.

	15	14	13	12	11	10	9	8	7	6	5	4	3	2	1	0
SOM	0	0	0	0	0	0	CKOm1	CKOm0							SOM1	SOM0
							0/1 ^{Note 2}	0/1 ^{Note 2}	0	0	0	0	0	0	0/1 ^{Note 2}	0/1 ^{Note 2}

- Notes**
- Setting these bits is unnecessary because they are set for transmission of an address field.
 - The value varies depending on the communication data during communication operation.

- Remarks**
- m: Unit number (m = 0, 1), n: Channel number (n = 0, 1), r: IIC number (r = 00, 01, 10, 11), mn = 00, 01, 10, 11
 - : Setting is fixed in the IIC mode, ■: Setting disabled (set to the initial value)
 ×: Bit that cannot be used in this mode (set to the initial value when not used in any mode)
 0/1: Set to 0 or 1 depending on the usage of the user

Figure 15-196. Example of Contents of Registers for Data Reception of Simplified I²C (IIC00, IIC01, IIC10, IIC11) (2/2)

(e) Serial output enable register m (SOEm) ... Do not manipulate this register during data transmission/reception.

	15	14	13	12	11	10	9	8	7	6	5	4	3	2	1	0
SOEm	0	0	0	0	0	0	0	0	0	0	0	0	0	0	SOEm1 0/1	SOEm0 0/1

(f) Serial channel start register m (SSm) ... Do not manipulate this register during data transmission/reception.

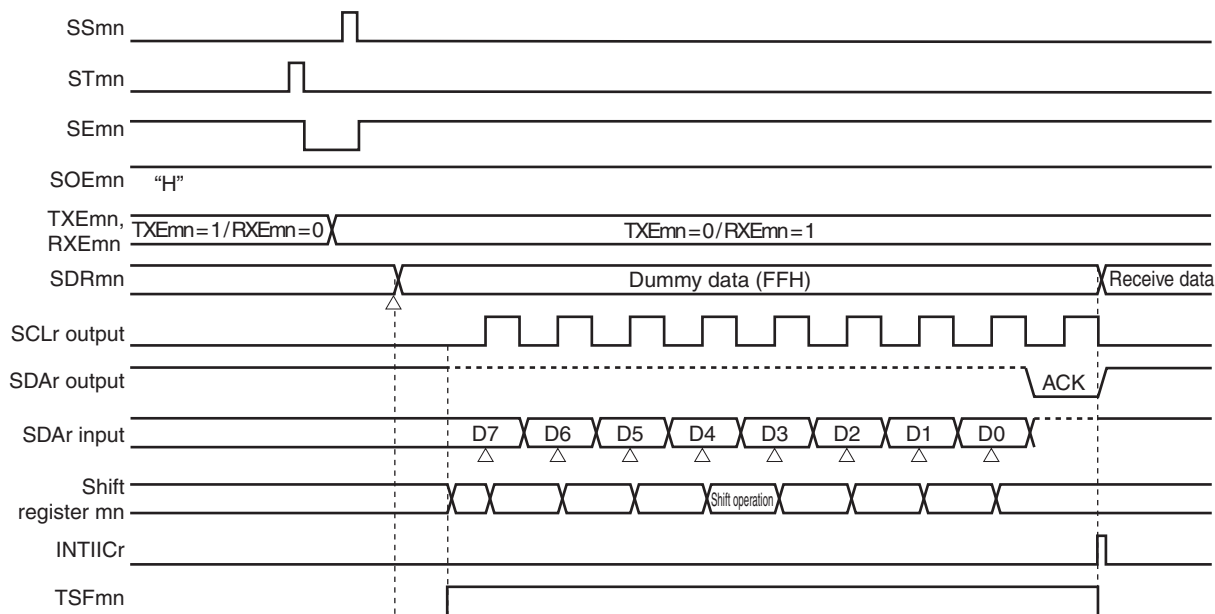
	15	14	13	12	11	10	9	8	7	6	5	4	3	2	1	0
SSm	0	0	0	0	0	0	0	0	0	0	0	0	0	0	SSm1 0/1	SSm0 0/1

- Remarks**
1. m: Unit number (m = 0, 1), n: Channel number (n = 0, 1), r: IIC number (r = 00, 01, 10, 11), mn = 00, 01, 10, 11
 2. : Setting disabled (set to the initial value)
0/1: Set to 0 or 1 depending on the usage of the user

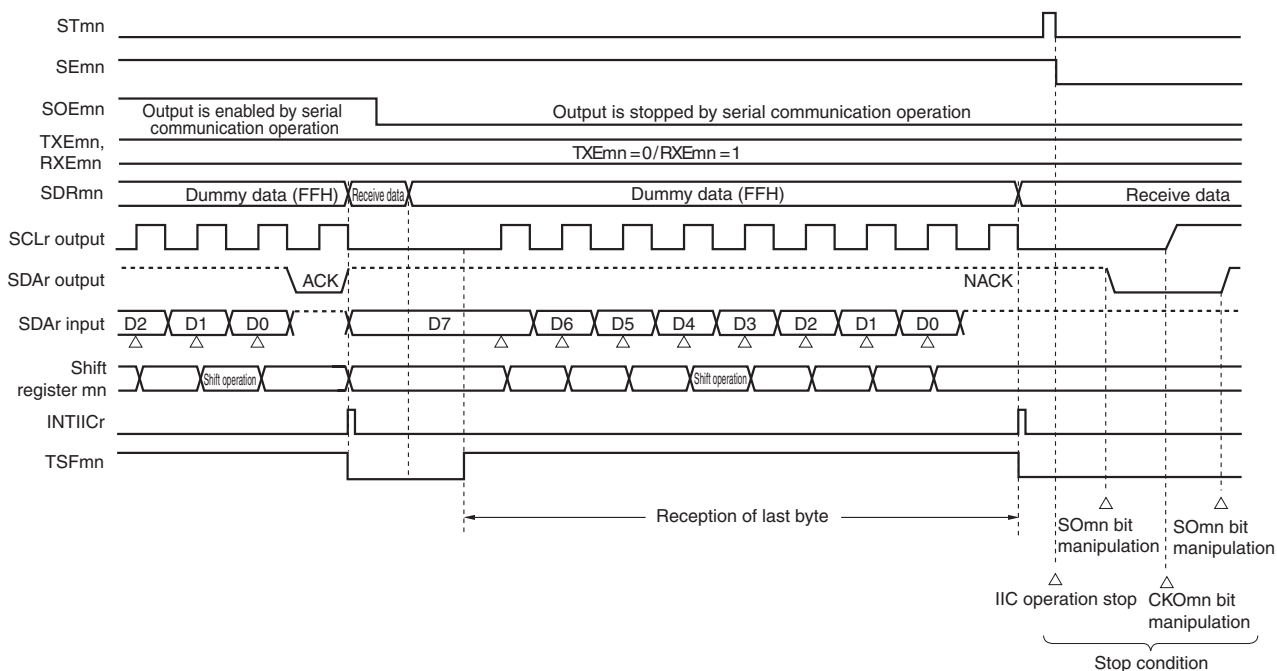
(2) Processing flow

Figure 15-197. Timing Chart of Data Reception

(a) When starting data reception

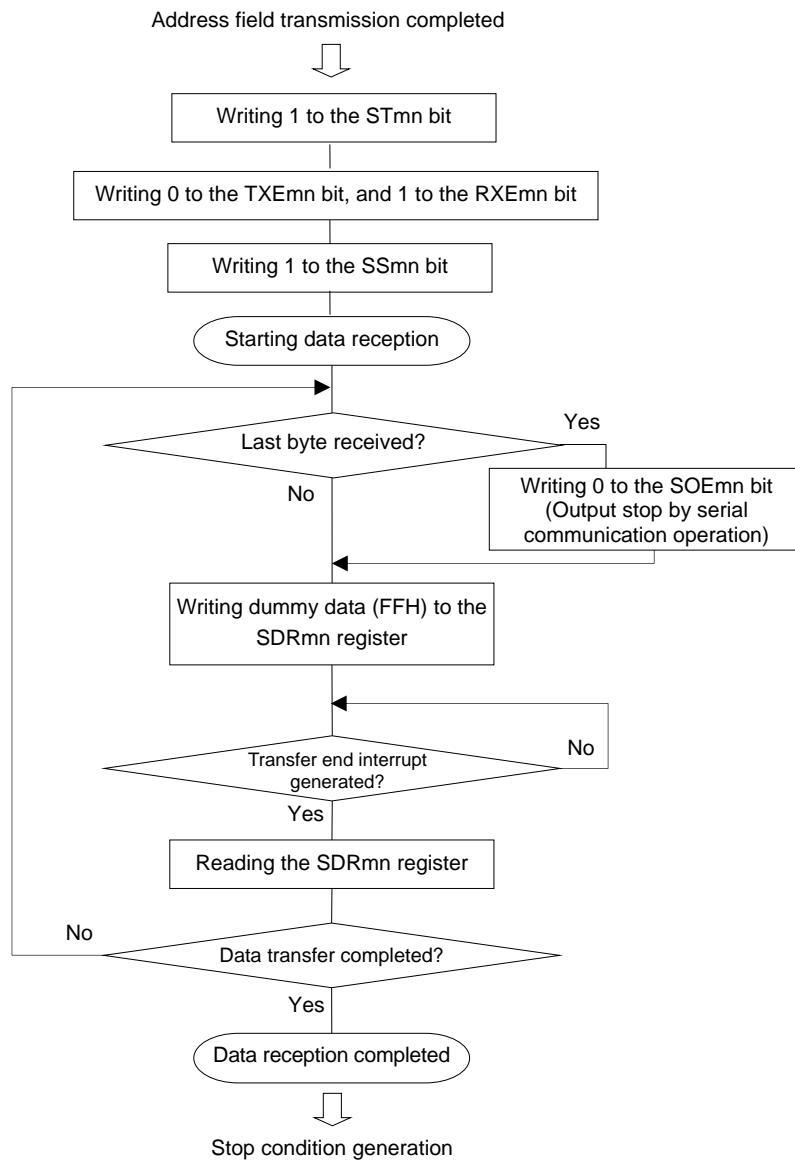


(b) When receiving last data



Remark m: Unit number (m = 0, 1), n: Channel number (n = 0, 1), r: IIC number (r = 00, 01, 10, 11)
mn = 00, 01, 10, 11

Figure 15-198. Flowchart of Data Reception



Caution ACK is not output when the last data is received (NACK). Communication is then completed by setting 1 to the STmn bit of serial channel stop register m (STm) to stop operation and generating a stop condition.

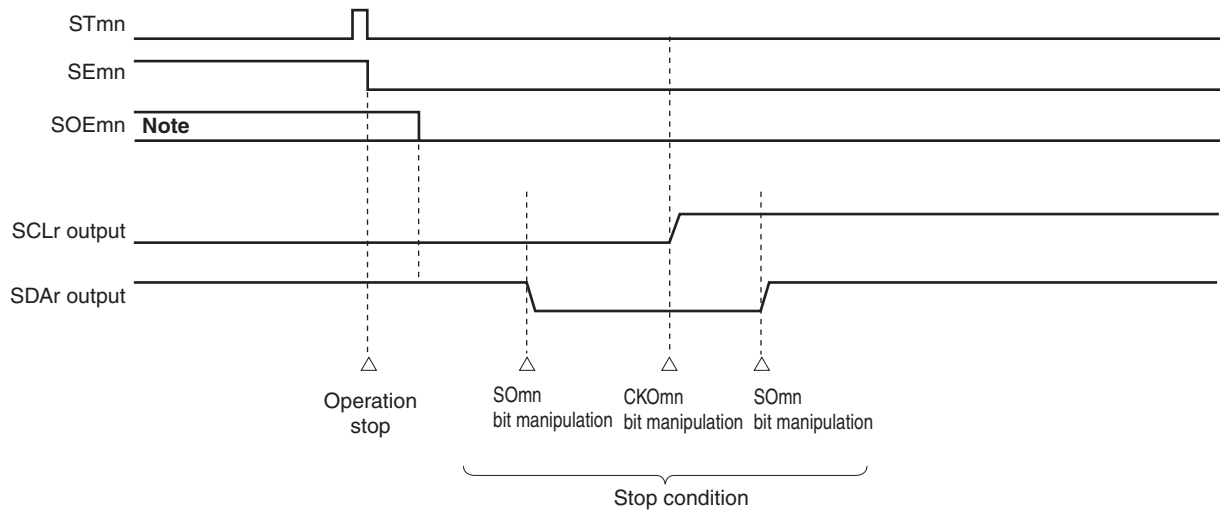
Remark m: Unit number (m = 0, 1), n: Channel number (n = 0, 1), mn = 00, 01, 10, 11

15.9.4 Stop condition generation

After all data are transmitted to or received from the target slave, a stop condition is generated and the bus is released.

(1) Processing flow

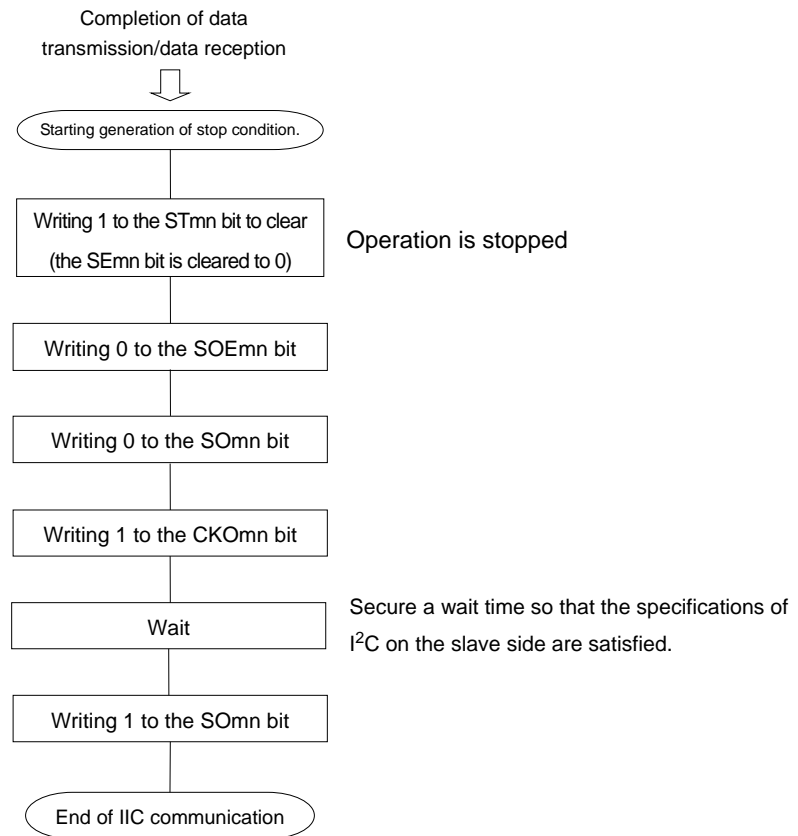
Figure 15-199. Timing Chart of Stop Condition Generation



Note During a receive operation, the SOEmn bit of serial output enable register m (SOEm) is cleared to 0 before receiving the last data.

Remark m: Unit number (m = 0, 1), n: Channel number (n = 0, 1), r: IIC number (r = 00, 01, 10, 11), mn = 00, 01, 10, 11

Figure 15-200. Flowchart of Stop Condition Generation



Remark m: Unit number (m = 0, 1), n: Channel number (n = 0, 1), mn = 00, 01, 10, 11

15.9.5 Calculating transfer rate

The transfer rate for simplified I²C (IIC00, IIC01, IIC10, IIC11, IIC20, IIC21, IIC30, IIC31) communication can be calculated by the following expressions.

$$(\text{Transfer rate}) = \{\text{Operation clock (f}_{\text{MCK}}\text{) frequency of target channel}\} \div (\text{SDRmn}[15:9] + 1) \div 2$$

Caution Setting SDRmn[15:9] = 000000B is prohibited. Setting SDRmn[15:9] = 000001B or more.

Remarks 1. The value of SDRmn[15:9] is the value of bits 15 to 9 of the SDRmn register (000001B to 111111B) and therefore is 1 to 127.

2. m: Unit number (m = 0, 1), n: Channel number (n = 0, 1), mn = 00, 01, 10, 11

The operation clock (f_{MCK}) is determined by serial clock select register m (SPSm) and bit 15 (CKSmn) of serial mode register mn (SMRmn).

Table 15-5. Selection of Operation Clock For Simplified I²C

SMR _{mn} Register	SPS _m Register								Operation Clock (f _{CLK}) ^{Note}	
	CKS _{mn}	PRS m13	PRS m12	PRS m11	PRS m10	PRS m03	PRS m02	PRS m01	PRS m00	f _{CLK} = 32 MHz
0	X	X	X	X	0	0	0	0	f _{CLK}	32 MHz
	X	X	X	X	0	0	0	1	f _{CLK} /2	16 MHz
	X	X	X	X	0	0	1	0	f _{CLK} /2 ²	8 MHz
	X	X	X	X	0	0	1	1	f _{CLK} /2 ³	4 MHz
	X	X	X	X	0	1	0	0	f _{CLK} /2 ⁴	2 MHz
	X	X	X	X	0	1	0	1	f _{CLK} /2 ⁵	1 MHz
	X	X	X	X	0	1	1	0	f _{CLK} /2 ⁶	500 kHz
	X	X	X	X	0	1	1	1	f _{CLK} /2 ⁷	250 kHz
	X	X	X	X	1	0	0	0	f _{CLK} /2 ⁸	125 kHz
	X	X	X	X	1	0	0	1	f _{CLK} /2 ⁹	62.5 kHz
	X	X	X	X	1	0	1	0	f _{CLK} /2 ¹⁰	31.25 kHz
	X	X	X	X	1	0	1	1	f _{CLK} /2 ¹¹	15.63 kHz
1	0	0	0	0	X	X	X	X	f _{CLK}	32 MHz
	0	0	0	1	X	X	X	X	f _{CLK} /2	16 MHz
	0	0	1	0	X	X	X	X	f _{CLK} /2 ²	8 MHz
	0	0	1	1	X	X	X	X	f _{CLK} /2 ³	4 MHz
	0	1	0	0	X	X	X	X	f _{CLK} /2 ⁴	2 MHz
	0	1	0	1	X	X	X	X	f _{CLK} /2 ⁵	1 MHz
	0	1	1	0	X	X	X	X	f _{CLK} /2 ⁶	500 kHz
	0	1	1	1	X	X	X	X	f _{CLK} /2 ⁷	250 kHz
	1	0	0	0	X	X	X	X	f _{CLK} /2 ⁸	125 kHz
	1	0	0	1	X	X	X	X	f _{CLK} /2 ⁹	62.5 kHz
	1	0	1	0	X	X	X	X	f _{CLK} /2 ¹⁰	31.25 kHz
	1	0	1	1	X	X	X	X	f _{CLK} /2 ¹¹	15.63 kHz
Other than above										Setting prohibited

Note When changing the clock selected for f_{CLK} (by changing the system clock control register (CKC) value), do so after having stopped (serial channel stop register m (ST_m) = 0003H) the operation of the serial array unit (SAU).

Remarks 1. X: Don't care

2. m: Unit number (m = 0, 1), n: Channel number (n = 0, 1), mn = 00, 01, 10, 11

Here is an example of setting an I²C transfer rate where $f_{MCK} = f_{CLK} = 32$ MHz.

I ² C Transfer Mode (Desired Transfer Rate)	$f_{CLK} = 32$ MHz			
	Operation Clock (f_{MCK})	SDRmn[15:9]	Calculated Transfer Rate	Error from Desired Transfer Rate
100 kHz	$f_{CLK}/2$	79	100 kHz	0.0%
400 kHz	f_{CLK}	39	400 kHz	0.0%

Remark m: Unit number (m = 0, 1), n: Channel number (n = 0, 1), mn = 00, 01, 10, 11

15.9.6 Procedure for processing errors that occurred during simplified I²C (IIC00, IIC01, IIC10, IIC11) communication

The procedure for processing errors that occurred during simplified I²C (IIC00, IIC01, IIC10, IIC11) communication is described in Figure 15-201 and 15-202.

Figure 15-201. Processing Procedure in Case of Overrun Error

Software Manipulation	Hardware Status	Remark
Reads serial data register mn (SDRmn).	→ The BFFmn bit of the SSRmn register is set to 0 and channel n is enabled to receive data.	This is to prevent an overrun error if the next reception is completed during error processing.
Reads serial status register mn (SSRmn).		Error type is identified and the read value is used to clear error flag.
Writes 1 to serial flag clear trigger register mn (SIRmn).	→ Error flag is cleared.	Error can be cleared only during reading, by writing the value read from the SSRmn register to the SIRmn register without modification.

Figure 15-202. Processing Procedure in Case of Parity Error (ACK error) in Simplified I²C Mode

Software Manipulation	Hardware Status	Remark
Reads serial data register mn (SDRmn).	→ The BFFmn bit of the SSRmn register is set to 0 and channel n is enabled to receive data.	This is to prevent an overrun error if the next reception is completed during error processing.
Reads serial status register mn (SSRmn).		Error type is identified and the read value is used to clear error flag.
Writes serial flag clear trigger register mn (SIRmn).	→ Error flag is cleared.	Error can be cleared only during reading, by writing the value read from the SSRmn register to the SIRmn register without modification.
Sets the STmn bit of serial channel stop register m (STm) to 1.	→ The SEMn bit of serial channel enable status register m (SEm) is set to 0 and channel n stops operation.	Slave is not ready for reception because ACK is not returned. Therefore, a stop condition is created, the bus is released, and communication is started again from the start condition. Or, a restart condition is generated and transmission can be redone from address transmission.
Creates stop condition.		
Creates start condition.		
Sets the SSmn bit of serial channel start register m (SSm) to 1.	→ The SEMn bit of serial channel enable status register m (SEm) is set to 1 and channel n is enabled to operate.	

Remark m: Unit number (m = 0, 1), n: Channel number (n = 0, 1), mn = 00, 01, 10, 11

CHAPTER 16 SERIAL INTERFACE IICA

16.1 Functions of Serial Interface IICA

Serial interface IICA has the following three modes.

(1) Operation stop mode

This mode is used when serial transfers are not performed. It can therefore be used to reduce power consumption.

(2) I²C bus mode (multimaster supported)

This mode is used for 8-bit data transfers with several devices via two lines: a serial clock (SCLA0) line and a serial data bus (SDAA0) line.

This mode complies with the I²C bus format and the master device can generate “start condition”, “address”, “transfer direction specification”, “data”, and “stop condition” data to the slave device, via the serial data bus. The slave device automatically detects these received status and data by hardware. This function can simplify the part of application program that controls the I²C bus.

Since the SCLA0 and SDAA0 pins are used for open drain outputs, serial interface IICA requires pull-up resistors for the serial clock line and the serial data bus line.

(3) Wakeup mode

The STOP mode can be released by generating an interrupt request signal (INTIICA0) when an extension code from the master device or a local address has been received while in STOP mode. This can be set by using the WUP0 bit of IICA control register 01 (IICCTL01).

Figure 16-1 shows a block diagram of serial interface IICA.

Figure 16-1. Block Diagram of Serial Interface IICA

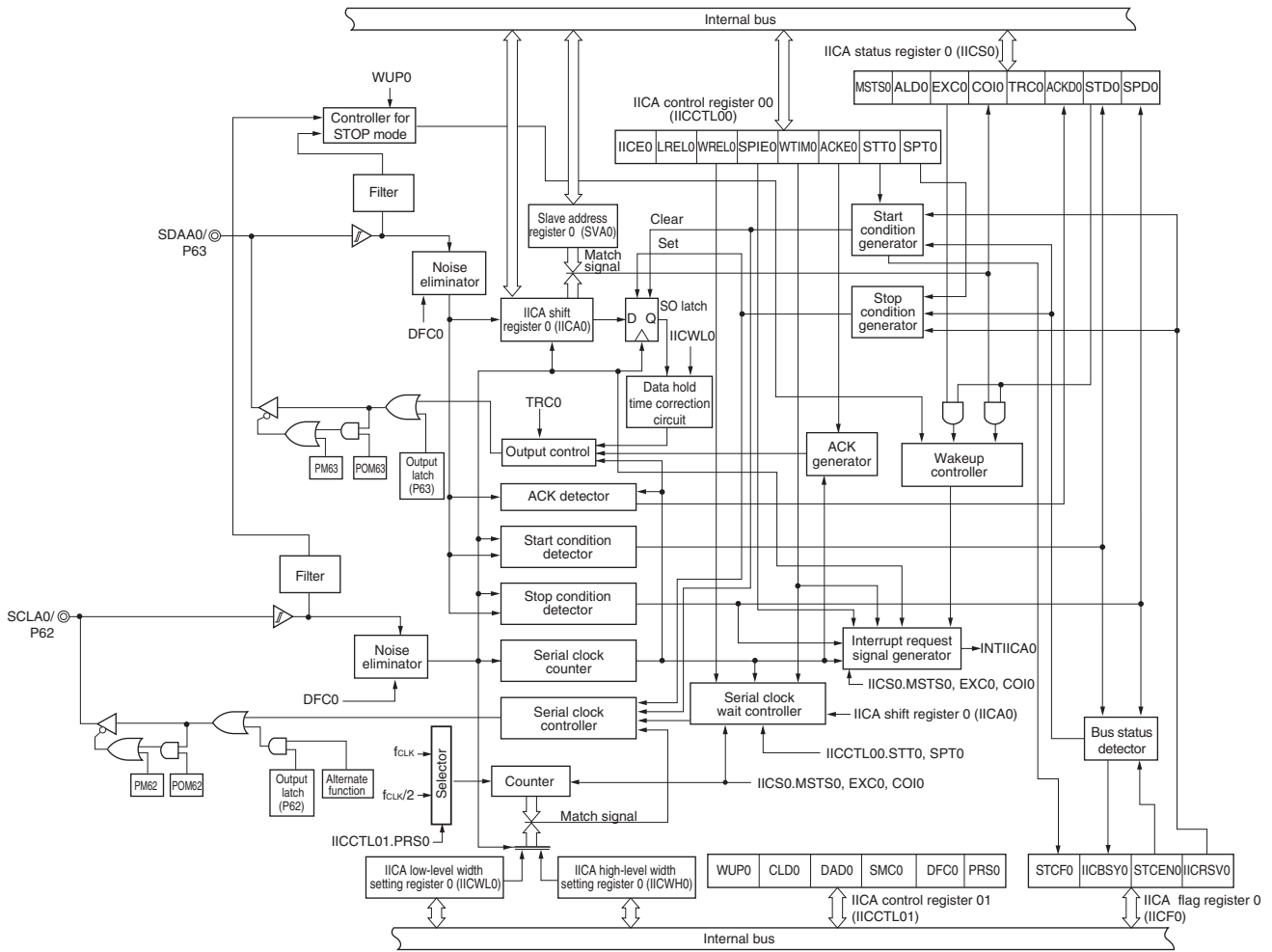
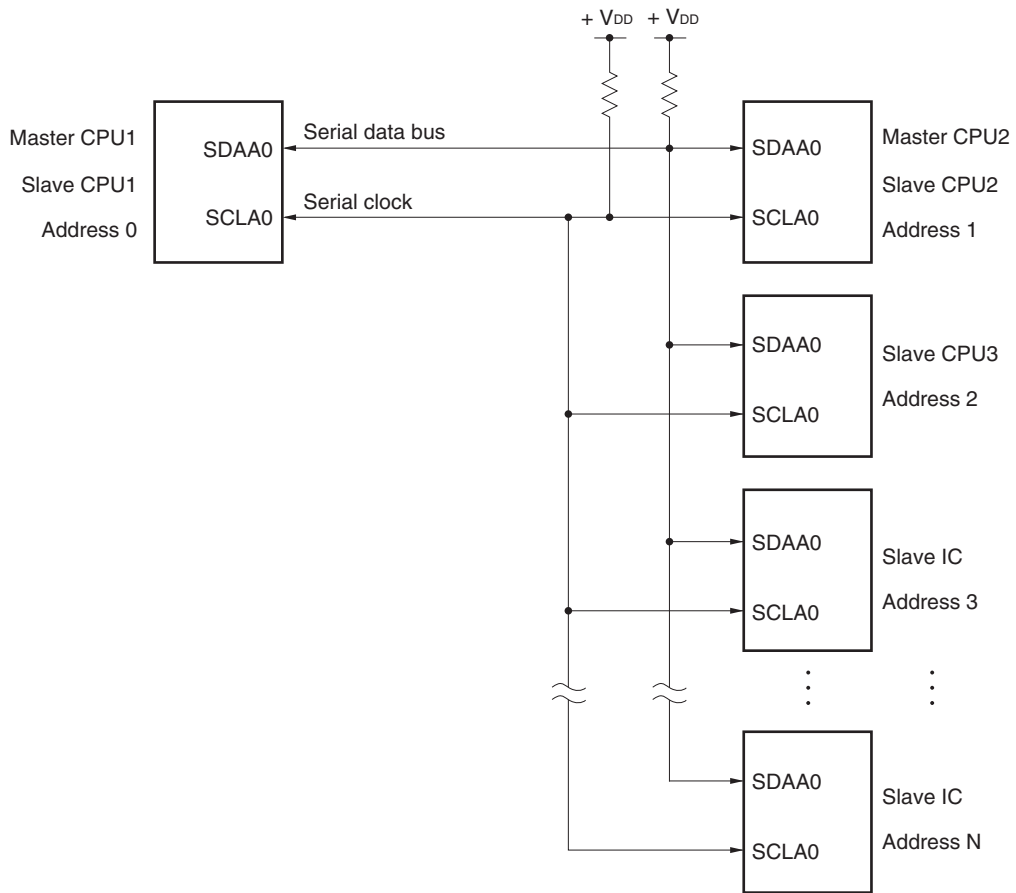


Figure 16-2 shows a serial bus configuration example.

Figure 16-2. Serial Bus Configuration Example Using I²C Bus



16.2 Configuration of Serial Interface IICA

Serial interface IICA includes the following hardware.

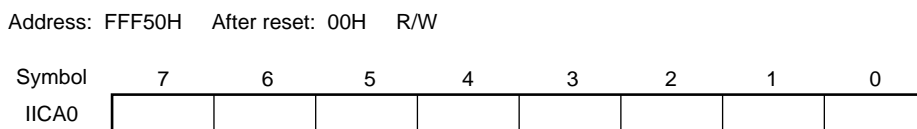
Table 16-1. Configuration of Serial Interface IICA

Item	Configuration
Registers	IICA shift register 0 (IICA0) Slave address register 0 (SVA0)
Control registers	Peripheral enable register 0 (PER0) IICA control register 00 (IICCTL00) IICA status register 0 (IICS0) IICA flag register 0 (IICF0) IICA control register 01 (IICCTL01) IICA low-level width setting register 0 (IICWL0) IICA high-level width setting register 0 (IICWH0) Port mode register 6 (PM6) Port register 6 (P6) Port output mode register 6 (POM6)

(1) IICA shift register 0 (IICA0)

The IICA0 register is used to convert 8-bit serial data to 8-bit parallel data and vice versa in synchronization with the serial clock. The IICA0 register can be used for both transmission and reception. The actual transmit and receive operations can be controlled by writing and reading operations to the IICA0 register. Cancel the wait state and start data transfer by writing data to the IICA0 register during the wait period. The IICA0 register can be set by an 8-bit memory manipulation instruction. Reset signal generation clears IICA0 to 00H.

Figure 16-3. Format of IICA Shift Register 0 (IICA0)



- Cautions 1. Do not write data to the IICA0 register during data transfer.**
- 2. Write or read the IICA0 register only during the wait period. Accessing the IICA0 register in a communication state other than during the wait period is prohibited. When the device serves as the master, however, the IICA0 register can be written only once after the communication trigger bit (STT0) is set to 1.**
- 3. When communication is reserved, write data to the IICA0 register after the interrupt triggered by a stop condition is detected.**

(2) Slave address register 0 (SVA0)

This register stores seven bits of local addresses {A6, A5, A4, A3, A2, A1, A0} when in slave mode. The SVA0 register can be set by an 8-bit memory manipulation instruction. However, rewriting to this register is prohibited while STD0 = 1 (while the start condition is detected). Reset signal generation clears the SVA0 register to 00H.

Figure 16-4. Format of Slave Address Register 0 (SVA0)

Address: F0234H After reset: 00H R/W

Symbol	7	6	5	4	3	2	1	0
SVA0	A6	A5	A4	A3	A2	A1	A0	0 ^{Note}

Note Bit 0 is fixed to 0.

(3) SO latch

The SO latch is used to retain the SDAA0 pin's output level.

(4) Wakeup controller

This circuit generates an interrupt request (INTIICA0) when the address received by this register matches the address value set to the slave address register 0 (SVA0) or when an extension code is received.

(5) Serial clock counter

This counter counts the serial clocks that are output or input during transmit/receive operations and is used to verify that 8-bit data was transmitted or received.

(6) Interrupt request signal generator

This circuit controls the generation of interrupt request signals (INTIICA0).

An I²C interrupt request is generated by the following two triggers.

- Falling edge of eighth or ninth clock of the serial clock (set by the WTIM0 bit)
- Interrupt request generated when a stop condition is detected (set by the SPIE0 bit)

Remark WTIM0 bit: Bit 3 of IICA control register 00 (IICCTL00)

SPIE0 bit: Bit 4 of IICA control register 00 (IICCTL00)

(7) Serial clock controller

In master mode, this circuit generates the clock output via the SCLA0 pin from a sampling clock.

(8) Serial clock wait controller

This circuit controls the wait timing.

(9) ACK generator, stop condition detector, start condition detector, and ACK detector

These circuits generate and detect each status.

(10) Data hold time correction circuit

This circuit generates the hold time for data corresponding to the falling edge of the serial clock.

(11) Start condition generator

This circuit generates a start condition when the STT0 bit is set to 1.

However, in the communication reservation disabled status (IICRSV bit = 1), when the bus is not released (IICBSY bit = 1), start condition requests are ignored and the STCF bit is set to 1.

(12) Stop condition generator

This circuit generates a stop condition when the SPT0 bit is set to 1.

(13) Bus status detector

This circuit detects whether or not the bus is released by detecting start conditions and stop conditions.

However, as the bus status cannot be detected immediately following operation, the initial status is set by the STCEN0 bit.

Remark STT0 bit: Bit 1 of IICA control register 00 (IICCTL00)
SPT0 bit: Bit 0 of IICA control register 00 (IICCTL00)
IICRSV0 bit: Bit 0 of IICA flag register 0 (IICF0)
IICBSY0 bit: Bit 6 of IICA flag register 0 (IICF0)
STCF0 bit: Bit 7 of IICA flag register 0 (IICF0)
STCEN0 bit: Bit 1 of IICA flag register 0 (IICF0)

16.3 Registers Controlling Serial Interface IICA

Serial interface IICA is controlled by the following eight registers.

- Peripheral enable register 0 (PER0)
- IICA control register 00 (IICCTL00)
- IICA flag register 0 (IICF0)
- IICA status register 0 (IICS0)
- IICA control register 01 (IICCTL01)
- IICA low-level width setting register 0 (IICWL0)
- IICA high-level width setting register 0 (IICWH0)
- Port mode register 6 (PM6)
- Port register 6 (P6)
- Port output mode register 6 (POM6)

16.3.1 Peripheral enable register 0 (PER0)

This register is used to enable or disable supplying the clock to the peripheral hardware. Clock supply to a hardware macro that is not used is stopped in order to reduce the power consumption and noise.

When serial interface IICA0 is used, be sure to set bit 4 (IICA0EN) of this register to 1.

The PER0 register can be set by a 1-bit or 8-bit memory manipulation instruction.

Reset signal generation clears this register to 00H.

Figure 16-5. Format of Peripheral Enable Register 0 (PER0)

Address: F00F0H After reset: 00H R/W

Symbol	<7>	6	<5>	<4>	<3>	<2>	<1>	<0>
PER0	RTCEN	0	ADCEN	IICA0EN	SAU1EN	SAU0EN	TAU1EN	TAU0EN

IICA0EN	Control of serial interface IICA0 input clock supply
0	Stops input clock supply. <ul style="list-style-type: none"> • SFR used by serial interface IICA0 cannot be written. • Serial interface IICA0 is in the reset status.
1	Enables input clock supply. <ul style="list-style-type: none"> • SFR used by serial interface IICA0 can be read/written.

- Cautions**
1. When setting serial interface IICA0, be sure to set the IICA0EN bit to 1 first. If IICA0EN = 0, writing to a control register of serial interface IICA0 is ignored, and, even if the register is read, only the default value is read (except for port mode register 6 (PM6) and port register 6 (P6)).
 2. Be sure to clear bit 6 to 0.

16.3.2 IICA control register 00 (IICCTL00)

This register is used to enable/stop I²C operations, set wait timing, and set other I²C operations.

The IICCTL00 register can be set by a 1-bit or 8-bit memory manipulation instruction. However, set the SPIE0, WTIM0, and ACKE0 bits while IICE0 = 0 or during the wait period. These bits can be set at the same time when the IICE0 bit is set from "0" to "1".

Reset signal generation clears this register to 00H.

Figure 16-6. Format of IICA Control Register 00 (IICCTL00) (1/4)

Address: F0230H After reset: 00H R/W

Symbol	<7>	<6>	<5>	<4>	<3>	<2>	<1>	<0>
IICCTL00	IICE0	LRELO	WRELO	SPIE0	WTIM0	ACKE0	STT0	SPT0

IICE0	I ² C operation enable
0	Stop operation. Reset the IICA status register 0 (IICS0) ^{Note 1} . Stop internal operation.
1	Enable operation.
Be sure to set this bit (1) while the SCLA0 and SDAA0 lines are at high level.	
Condition for clearing (IICE0 = 0)	
<ul style="list-style-type: none"> • Cleared by instruction • Reset 	Condition for setting (IICE0 = 1)
<ul style="list-style-type: none"> • Set by instruction 	

LRELO Notes 2, 3	Exit from communications
0	Normal operation
1	This exits from the current communications and sets standby mode. This setting is automatically cleared to 0 after being executed. Its uses include cases in which a locally irrelevant extension code has been received. The SCLA0 and SDAA0 lines are set to high impedance. The following flags of IICA control register 00 (IICCTL00) and the IICA status register 0 (IICS0) are cleared to 0. • STT0 • SPT0 • MSTS0 • EXC0 • COI0 • TRC0 • ACKD0 • STD0
The standby mode following exit from communications remains in effect until the following communications entry conditions are met.	
<ul style="list-style-type: none"> • After a stop condition is detected, restart is in master mode. • An address match or extension code reception occurs after the start condition. 	
Condition for clearing (LRELO = 0)	
<ul style="list-style-type: none"> • Automatically cleared after execution • Reset 	Condition for setting (LRELO = 1)
<ul style="list-style-type: none"> • Set by instruction 	

WRELO Notes 2, 3	Wait cancellation
0	Do not cancel wait
1	Cancel wait. This setting is automatically cleared after wait is canceled.
When the WRELO bit is set (wait canceled) during the wait period at the ninth clock pulse in the transmission status (TRC0 = 1), the SDAA0 line goes into the high impedance state (TRC0 = 0).	
Condition for clearing (WRELO = 0)	
<ul style="list-style-type: none"> • Automatically cleared after execution • Reset 	Condition for setting (WRELO = 1)
<ul style="list-style-type: none"> • Set by instruction 	

- Notes**
1. The IICA status register 0 (IICS0), the STCF0 and IICBSY0 bits of the IICA flag register 0 (IICF0), and the CLD0 and DAD0 bits of IICA control register 01 (IICCTL01) are reset.
 2. The signal of this bit is invalid while IICE0 is 0.
 3. When the LRELO and WRELO bits are read, 0 is always read.

Caution If the operation of I²C is enabled (IICE0 = 1) when the SCLA0 line is high level, the SDAA0 line is low level, and the digital filter is turned on (DFC0 bit of IICCTL01 register = 1), a start condition will be inadvertently detected immediately. In this case, set (1) the LRELO bit by using a 1-bit memory manipulation instruction immediately after enabling operation of I²C (IICE0 = 1).

Figure 16-6. Format of IICA Control Register 00 (IICCTL00) (2/4)

SPIE0 <small>Note 1</small>	Enable/disable generation of interrupt request when stop condition is detected	
0	Disable	
1	Enable	
If the WUP0 bit of IICA control register 01 (IICCTL01) is 1, no stop condition interrupt will be generated even if SPIE0 = 1.		
Condition for clearing (SPIE0 = 0)		Condition for setting (SPIE0 = 1)
<ul style="list-style-type: none"> • Cleared by instruction • Reset 		<ul style="list-style-type: none"> • Set by instruction

WTIMO <small>Note 1</small>	Control of wait and interrupt request generation	
0	Interrupt request is generated at the eighth clock's falling edge. Master mode: After output of eight clocks, clock output is set to low level and wait is set. Slave mode: After input of eight clocks, the clock is set to low level and wait is set for master device.	
1	Interrupt request is generated at the ninth clock's falling edge. Master mode: After output of nine clocks, clock output is set to low level and wait is set. Slave mode: After input of nine clocks, the clock is set to low level and wait is set for master device.	
An interrupt is generated at the falling edge of the ninth clock during address transfer independently of the setting of this bit. The setting of this bit is valid when the address transfer is completed. When in master mode, a wait is inserted at the falling edge of the ninth clock during address transfers. For a slave device that has received a local address, a wait is inserted at the falling edge of the ninth clock after an acknowledge (ACK) is issued. However, when the slave device has received an extension code, a wait is inserted at the falling edge of the eighth clock.		
Condition for clearing (WTIMO = 0)		Condition for setting (WTIMO = 1)
<ul style="list-style-type: none"> • Cleared by instruction • Reset 		<ul style="list-style-type: none"> • Set by instruction

ACKE0 <small>Notes 1, 2</small>	Acknowledgment control	
0	Disable acknowledgment.	
1	Enable acknowledgment. During the ninth clock period, the SDAA0 line is set to low level.	
Condition for clearing (ACKE0 = 0)		Condition for setting (ACKE0 = 1)
<ul style="list-style-type: none"> • Cleared by instruction • Reset 		<ul style="list-style-type: none"> • Set by instruction

- Notes**
1. The signal of this bit is invalid while IICE0 is 0. Set this bit during that period.
 2. The set value is invalid during address transfer and if the code is not an extension code.
When the device serves as a slave and the addresses match, an acknowledgment is generated regardless of the set value.

Figure 16-6. Format of IICA Control Register 00 (IICCTL00) (3/4)

STT0 Note	Start condition trigger	
0	Do not generate a start condition.	
1	When bus is released (in standby state, when IICBSY0 = 0): If this bit is set (1), a start condition is generated (startup as the master). When a third party is communicating: <ul style="list-style-type: none"> • When communication reservation function is enabled (IICRSV0 = 0) Functions as the start condition reservation flag. When set to 1, automatically generates a start condition after the bus is released. • When communication reservation function is disabled (IICRSV0 = 1) Even if this bit is set (1), the STT0 bit is cleared and the STT0 clear flag (STCF0) is set (1). No start condition is generated. In the wait state (when master device): Generates a restart condition after releasing the wait.	
Cautions concerning set timing <ul style="list-style-type: none"> • For master reception: Cannot be set to 1 during transfer. Can be set to 1 only in the waiting period when the ACKE0 bit has been cleared to 0 and slave has been notified of final reception. • For master transmission: A start condition cannot be generated normally during the acknowledge period. Set to 1 during the wait period that follows output of the ninth clock. • Cannot be set to 1 at the same time as stop condition trigger (SPT0). • Once STT0 is set (1), setting it again (1) before the clear condition is met is not allowed. 		
Condition for clearing (STT0 = 0)		Condition for setting (STT0 = 1)
<ul style="list-style-type: none"> • Cleared by setting the STT0 bit to 1 while communication reservation is prohibited. • Cleared by loss in arbitration • Cleared after start condition is generated by master device • Cleared by LREL0 = 1 (exit from communications) • When IICE0 = 0 (operation stop) • Reset 		<ul style="list-style-type: none"> • Set by instruction

Note The signal of this bit is invalid while IICE0 is 0.

- Remarks**
1. Bit 1 (STT0) becomes 0 when it is read after data setting.
 2. IICRSV0: Bit 0 of IICA flag register 0 (IICF0)
 STCF0: Bit 7 of IICA flag register 0 (IICF0)

Figure 16-6. Format of IICA Control Register 00 (IICCTL00) (4/4)

SPT0	Stop condition trigger	
0	Stop condition is not generated.	
1	Stop condition is generated (termination of master device's transfer).	
<p>Cautions concerning set timing</p> <ul style="list-style-type: none"> • For master reception: Cannot be set to 1 during transfer. Can be set to 1 only in the waiting period when the ACKE0 bit has been cleared to 0 and slave has been notified of final reception. • For master transmission: A stop condition cannot be generated normally during the acknowledge period. Therefore, set it during the wait period that follows output of the ninth clock. • Cannot be set to 1 at the same time as start condition trigger (STT0). • The SPT0 bit can be set to 1 only when in master mode. • When the WTIM0 bit has been cleared to 0, if the SPT0 bit is set to 1 during the wait period that follows output of eight clocks, note that a stop condition will be generated during the high-level period of the ninth clock. The WTIM0 bit should be changed from 0 to 1 during the wait period following the output of eight clocks, and the SPT0 bit should be set to 1 during the wait period that follows the output of the ninth clock. • Once STT0 is set (1), setting it again (1) before the clear condition is met is not allowed. 		
Condition for clearing (SPT0 = 0)		Condition for setting (SPT0 = 1)
<ul style="list-style-type: none"> • Cleared by loss in arbitration • Automatically cleared after stop condition is detected • Cleared by LREL0 = 1 (exit from communications) • When IICE0 = 0 (operation stop) • Reset 		<ul style="list-style-type: none"> • Set by instruction

Caution When bit 3 (TRC0) of the IICA status register 0 (IICS0) is set to 1 (transmission status), bit 5 (WREL0) of IICA control register 00 (IICCTL00) is set to 1 during the ninth clock and wait is canceled, after which the TRC0 bit is cleared (reception status) and the SDAA0 line is set to high impedance. Release the wait performed while the TRC0 bit is 1 (transmission status) by writing to the IICA shift register 0.

Remark Bit 0 (SPT0) becomes 0 when it is read after data setting.

16.3.3 IICA status register 0 (IICS0)

This register indicates the status of I²C.

The IICS0 register is read by a 1-bit or 8-bit memory manipulation instruction only when STT0 = 1 and during the wait period.

Reset signal generation clears this register to 00H.

Caution Reading the IICS0 register while the address match wakeup function is enabled (WUP0 = 1) in STOP mode is prohibited. When the WUP0 bit is changed from 1 to 0 (wakeup operation is stopped), regardless of the INTIICA0 interrupt request, the change in status is not reflected until the next start condition or stop condition is detected. To use the wakeup function, therefore, enable (SPIE0 = 1) the interrupt generated by detecting a stop condition and read the IICS0 register after the interrupt has been detected.

Remark STT0: bit 1 of IICA control register 00 (IICCTL00)
 WUP0: bit 7 of IICA control register 01 (IICCTL01)

Figure 16-7. Format of IICA Status Register 0 (IICS0) (1/3)

Address: FFF51H After reset: 00H R

Symbol	<7>	<6>	<5>	<4>	<3>	<2>	<1>	<0>
IICS0	MSTS0	ALD0	EXC0	COI0	TRC0	ACKD0	STD0	SPD0

MSTS0	Master status check flag
0	Slave device status or communication standby status
1	Master device communication status
Condition for clearing (MSTS0 = 0)	
<ul style="list-style-type: none"> • When a stop condition is detected • When ALD0 = 1 (arbitration loss) • Cleared by LREL0 = 1 (exit from communications) • When the IICE0 bit changes from 1 to 0 (operation stop) • Reset 	
Condition for setting (MSTS0 = 1)	
<ul style="list-style-type: none"> • When a start condition is generated 	

ALD0	Detection of arbitration loss
0	This status means either that there was no arbitration or that the arbitration result was a "win".
1	This status indicates the arbitration result was a "loss". The MSTS0 bit is cleared.
Condition for clearing (ALD0 = 0)	
<ul style="list-style-type: none"> • Automatically cleared after the IICS0 register is read Note • When the IICE0 bit changes from 1 to 0 (operation stop) • Reset 	
Condition for setting (ALD0 = 1)	
<ul style="list-style-type: none"> • When the arbitration result is a "loss". 	

Note This register is also cleared when a 1-bit memory manipulation instruction is executed for bits other than the IICS0 register. Therefore, when using the ALD0 bit, read the data of this bit before the data of the other bits.

Remark LREL0: Bit 6 of IICA control register 00 (IICCTL00)
 IICE0: Bit 7 of IICA control register 00 (IICCTL00)

Figure 16-7. Format of IICA Status Register 0 (IICS0) (2/3)

EXC0	Detection of extension code reception	
0	Extension code was not received.	
1	Extension code was received.	
Condition for clearing (EXC0 = 0)		Condition for setting (EXC0 = 1)
<ul style="list-style-type: none"> When a start condition is detected When a stop condition is detected Cleared by LREL0 = 1 (exit from communications) When the IICE0 bit changes from 1 to 0 (operation stop) Reset 		<ul style="list-style-type: none"> When the higher four bits of the received address data is either 0000 or 1111 (set at the rising edge of the eighth clock).

COI0	Detection of matching addresses	
0	Addresses do not match.	
1	Addresses match.	
Condition for clearing (COI0 = 0)		Condition for setting (COI0 = 1)
<ul style="list-style-type: none"> When a start condition is detected When a stop condition is detected Cleared by LREL0 = 1 (exit from communications) When the IICE0 bit changes from 1 to 0 (operation stop) Reset 		<ul style="list-style-type: none"> When the received address matches the local address (slave address register 0 (SVA0)) (set at the rising edge of the eighth clock).

TRC0	Detection of transmit/receive status	
0	Receive status (other than transmit status). The SDAA0 line is set for high impedance.	
1	Transmit status. The value in the SO0 latch is enabled for output to the SDAA0 line (valid starting at the falling edge of the first byte's ninth clock).	
Condition for clearing (TRC0 = 0)		Condition for setting (TRC0 = 1)
<p><Both master and slave></p> <ul style="list-style-type: none"> When a stop condition is detected Cleared by LREL0 = 1 (exit from communications) When the IICE0 bit changes from 1 to 0 (operation stop) Cleared by WREL0 = 1 ^{Note} (wait cancel) When the ALD0 bit changes from 0 to 1 (arbitration loss) Reset When not used for communication (MSTS0, EXC0, COI0 = 0) <p><Master></p> <ul style="list-style-type: none"> When 1 is output to the LSB (transfer direction specification bit) of the first byte <p><Slave></p> <ul style="list-style-type: none"> When a start condition is detected When 0 is input to the LSB (transfer direction specification bit) of the first byte. 		<p><Master></p> <ul style="list-style-type: none"> When a start condition is generated When 0 (master transmission) is output to the LSB (transfer direction specification bit) of the first byte (during address transfer). <p><Slave></p> <ul style="list-style-type: none"> When 1 (slave transmission) is input to the LSB (transfer direction specification bit) of the first byte (during address transfer) from the master.

Note When bit 3 (TRC0) of the IICA status register 0 (IICS0) is set to 1 (transmission status), bit 5 (WREL0) of IICA control register 00 (IICCTL00) is set to 1 during the ninth clock and wait is canceled, after which the TRC0 bit is cleared (reception status) and the SDAA0 line is set to high impedance. Release the wait performed while the TRC0 bit is 1 (transmission status) by writing to the IICA shift register 0.

Remark LREL0: Bit 6 of IICA control register 00 (IICCTL00)
IICE0: Bit 7 of IICA control register 00 (IICCTL00)

Figure 16-7. Format of IICA Status Register 0 (IICS0) (3/3)

ACKD0	Detection of acknowledge ($\overline{\text{ACK}}$)	
0	Acknowledge was not detected.	
1	Acknowledge was detected.	
Condition for clearing (ACKD0 = 0)		Condition for setting (ACKD0 = 1)
<ul style="list-style-type: none"> • When a stop condition is detected • At the rising edge of the next byte's first clock • Cleared by LREL0 = 1 (exit from communications) • When the IICE0 bit changes from 1 to 0 (operation stop) • Reset 		<ul style="list-style-type: none"> • After the SDA0 line is set to low level at the rising edge of SCLA0 line's ninth clock

STD0	Detection of start condition	
0	Start condition was not detected.	
1	Start condition was detected. This indicates that the address transfer period is in effect.	
Condition for clearing (STD0 = 0)		Condition for setting (STD0 = 1)
<ul style="list-style-type: none"> • When a stop condition is detected • At the rising edge of the next byte's first clock following address transfer • Cleared by LREL0 = 1 (exit from communications) • When the IICE0 bit changes from 1 to 0 (operation stop) • Reset 		<ul style="list-style-type: none"> • When a start condition is detected

SPD0	Detection of stop condition	
0	Stop condition was not detected.	
1	Stop condition was detected. The master device's communication is terminated and the bus is released.	
Condition for clearing (SPD0 = 0)		Condition for setting (SPD0 = 1)
<ul style="list-style-type: none"> • At the rising edge of the address transfer byte's first clock following setting of this bit and detection of a start condition • When the WUP0 bit changes from 1 to 0 • When the IICE0 bit changes from 1 to 0 (operation stop) • Reset 		<ul style="list-style-type: none"> • When a stop condition is detected

Remark LREL0: Bit 6 of IICA control register 00 (IICCTL00)

IICE0: Bit 7 of IICA control register 00 (IICCTL00)

16.3.4 IICA flag register 0 (IICF0)

This register sets the operation mode of I²C and indicates the status of the I²C bus.

The IICF0 register can be set by a 1-bit or 8-bit memory manipulation instruction. However, the STT0 clear flag (STCF0) and I²C bus status flag (IICBSY0) bits are read-only.

The IICRSV0 bit can be used to enable/disable the communication reservation function.

The STCEN0 bit can be used to set the initial value of the IICBSY bit.

The IICRSV0 and STCEN0 bits can be written only when the operation of I²C is disabled (bit 7 (IICE0) of IICA control register 00 (IICCTL00) = 0). When operation is enabled, the IICF0 register can be read.

Reset signal generation clears this register to 00H.

Figure 16-8. Format of IICA Flag Register 0 (IICF0)

Address: FFF52H After reset: 00H R/W^{Note}

Symbol	<7>	<6>	5	4	3	2	<1>	<0>
IICF0	STCF0	IICBSY0	0	0	0	0	STCEN0	IICRSV0

STCF0	STT0 clear flag	
0	Generate start condition	
1	Start condition generation unsuccessful: clear the STT0 flag	
Condition for clearing (STCF0 = 0)		Condition for setting (STCF0 = 1)
<ul style="list-style-type: none"> Cleared by STT0 = 1 When IICE0 = 0 (operation stop) Reset 		<ul style="list-style-type: none"> Generating start condition unsuccessful and the STT0 bit cleared to 0 when communication reservation is disabled (IICRSV0 = 1).

IICBSY0	I ² C bus status flag	
0	Bus release status (communication initial status when STCEN0 = 1)	
1	Bus communication status (communication initial status when STCEN0 = 0)	
Condition for clearing (IICBSY0 = 0)		Condition for setting (IICBSY0 = 1)
<ul style="list-style-type: none"> Detection of stop condition When IICE0 = 0 (operation stop) Reset 		<ul style="list-style-type: none"> Detection of start condition Setting of the IICE0 bit when STCEN0 = 0

STCEN0	Initial start enable trigger	
0	After operation is enabled (IICE0 = 1), enable generation of a start condition upon detection of a stop condition.	
1	After operation is enabled (IICE0 = 1), enable generation of a start condition without detecting a stop condition.	
Condition for clearing (STCEN0 = 0)		Condition for setting (STCEN0 = 1)
<ul style="list-style-type: none"> Cleared by instruction Detection of start condition Reset 		<ul style="list-style-type: none"> Set by instruction

IICRSV0	Communication reservation function disable bit	
0	Enable communication reservation	
1	Disable communication reservation	
Condition for clearing (IICRSV0 = 0)		Condition for setting (IICRSV0 = 1)
<ul style="list-style-type: none"> Cleared by instruction Reset 		<ul style="list-style-type: none"> Set by instruction

Note Bits 6 and 7 are read-only.

- Cautions**
1. Write to the STCEN bit only when the operation is stopped (IICE0 = 0).
 2. As the bus release status (IICBSY0 = 0) is recognized regardless of the actual bus status when STCEN0 = 1, when generating the first start condition (STT0 = 1), it is necessary to verify that no third party communications are in progress in order to prevent such communications from being destroyed.
 3. Write to IICRSV0 only when the operation is stopped (IICE0 = 0).

Remark STT0: Bit 1 of IICA control register 00 (IICCTL00)
 IICE0: Bit 7 of IICA control register 00 (IICCTL00)

16.3.5 IICA control register 01 (IICCTL01)

This register is used to set the operation mode of I²C and detect the statuses of the SCLA0 and SDAA0 pins.

The IICCTL01 register can be set by a 1-bit or 8-bit memory manipulation instruction. However, the CLD0 and DAD0 bits are read-only.

Set the IICCTL01 register, except the WUP0 bit, while operation of I²C is disabled (bit 7 (IICE0) of IICA control register 00 (IICCTL00) is 0).

Reset signal generation clears this register to 00H.

Figure 16-9. Format of IICA Control Register 01 (IICCTL01) (1/2)

Address: F0231H After reset: 00H R/W ^{Note 1}

Symbol	<7>	6	<5>	<4>	<3>	<2>	1	<0>
IICCTL01	WUP0	0	CLD0	DAD0	SMC0	DFC0	0	PRS0

WUP0	Control of address match wakeup
0	Stops operation of address match wakeup function in STOP mode.
1	Enables operation of address match wakeup function in STOP mode.
<p>To shift to STOP mode when WUP0 = 1, execute the STOP instruction at least three cycles of the operation clock (f_{MCK}) after setting (1) the WUP0 bit (see Figure 16-23 Flow When Setting WUP0 = 1).</p> <p>Clear (0) the WUP0 bit after the address has matched or an extension code has been received. The subsequent communication can be entered by the clearing (0) WUP0 bit. (The wait must be released and transmit data must be written after the WUP0 bit has been cleared (0).)</p> <p>The interrupt timing when the address has matched or when an extension code has been received, while WUP0 = 1, is identical to the interrupt timing when WUP0 = 0. (A delay of the difference of sampling by the clock will occur.) Furthermore, when WUP0 = 1, a stop condition interrupt is not generated even if the SPIE0 bit is set to 1.</p> <p>When WUP0 = 0 is set by a source other than an interrupt from serial interface IICA, operation as the master device cannot be performed until the subsequent start condition or stop condition is detected. Do not output a start condition by setting (1) the STT0 bit, without waiting for the detection of the subsequent start condition or stop condition.</p>	
Condition for clearing (WUP0 = 0)	Condition for setting (WUP0 = 1)
<ul style="list-style-type: none"> • Cleared by instruction (after address match or extension code reception) 	<ul style="list-style-type: none"> • Set by instruction (when the MST0, EXC0, and COI0 bits are "0", and the STD0 bit also "0" (communication not entered)) ^{Note 2}

Notes 1. Bits 4 and 5 are read-only.

2. The status of the IICA status register 0 (IICS0) must be checked and the WUP0 bit must be set during the period shown below.

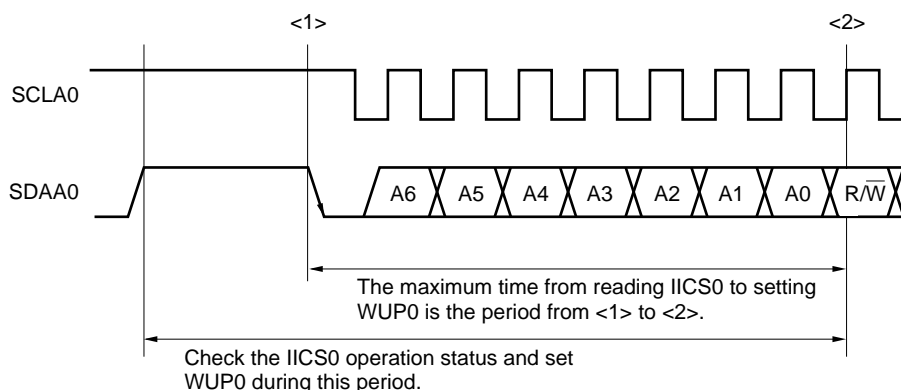


Figure 16-9. Format of IICA Control Register 01 (IICCTL01) (2/2)

CLD0	Detection of SCLA0 pin level (valid only when IICE0 = 1)	
0	The SCLA0 pin was detected at low level.	
1	The SCLA0 pin was detected at high level.	
Condition for clearing (CLD0 = 0)		Condition for setting (CLD0 = 1)
<ul style="list-style-type: none"> When the SCLA0 pin is at low level When IICE0 = 0 (operation stop) Reset 		<ul style="list-style-type: none"> When the SCLA0 pin is at high level

DAD0	Detection of SDAA0 pin level (valid only when IICE0 = 1)	
0	The SDAA0 pin was detected at low level.	
1	The SDAA0 pin was detected at high level.	
Condition for clearing (DAD0 = 0)		Condition for setting (DAD0 = 1)
<ul style="list-style-type: none"> When the SDAA0 pin is at low level When IICE0 = 0 (operation stop) Reset 		<ul style="list-style-type: none"> When the SDAA0 pin is at high level

SMC0	Operation mode switching	
0	Operates in standard mode (fastest transfer rate: 100 kbps).	
1	Operates in fast mode (fastest transfer rate: 400 kbps) or fast mode plus (fastest transfer rate: 1 Mbps).	

DFC0	Digital filter operation control	
0	Digital filter off.	
1	Digital filter on.	
Digital filter can be used only in fast mode. In fast mode and fast mode plus, the transfer clock does not vary, regardless of the DFC0 bit being set (1) or cleared (0). The digital filter is used for noise elimination in fast mode and fast mode plus.		

PRS0	Control of the operation clock for IICA (f_{MCK})	
0	Selects f_{CLK} ($1\text{ MHz} \leq f_{CLK} \leq 20\text{ MHz}$).	
1	Selects $f_{CLK}/2$ ($20\text{ MHz} < f_{CLK}$).	

- Cautions 1.** The fastest operation frequency of the operation clock for IICA (f_{MCK}) is 20 MHz (max.). Set bit 0 (PRS0) of the IICA control register 01 (IICCTL01) to 1 only when the f_{CLK} exceeds 20 MHz.
- 2.** Note the minimum f_{CLK} operation frequency when setting the transfer clock. The minimum f_{CLK} operation frequency for serial interface IICA is determined according to the mode.
- Fast mode:** $f_{CLK} = 3.5\text{ MHz (min.)}$
Fast mode plus: $f_{CLK} = 10\text{ MHz (min.)}$
Normal mode: $f_{CLK} = 1\text{ MHz (min.)}$

Remark IICE0: Bit 7 of IICA control register 00 (IICCTL00)

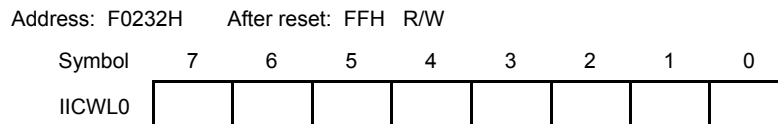
16.3.6 IICA low-level width setting register 0 (IICWL0)

This register is used to set the low-level width (t_{low}) of the SCLA0 pin signal that is output by serial interface IICA. The IICWL0 register can be set by an 8-bit memory manipulation instruction.

Set the IICWL0 register while operation of I²C is disabled (bit 7 (IICE0) of IICA control register 00 (IICCTL00) is 0). Reset signal generation sets this register to FFH.

For details about setting the IICWL0 register, see **16.4.2 Setting transfer clock by using IICWL0 and IICWH0 registers.**

Figure 16-10. Format of IICA Low-Level Width Setting Register 0 (IICWL0)

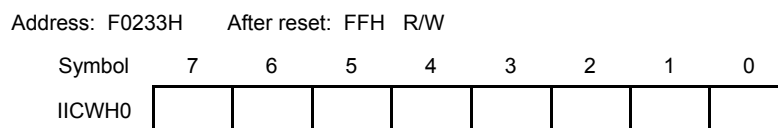


16.3.7 IICA high-level width setting register 0 (IICWH0)

This register is used to set the high-level width of the SCLA0 pin signal that is output by serial interface IICA. The IICWH0 register can be set by an 8-bit memory manipulation instruction.

Set the IICWH0 register while operation of I²C is disabled (bit 7 (IICE0) of IICA control register 00 (IICCTL00) is 0). Reset signal generation sets this register to FFH.

Figure 16-11. Format of IICA High-Level Width Setting Register 0 (IICWH0)



Remark For how to set the transfer clock by using the IICWL0 and IICWH0 registers, see **16.4.2 Setting transfer clock by using IICWL0 and IICWH0 registers.**

16.3.8 Port mode register 6 (PM6)

This register sets the input/output of port 6 in 1-bit units.

When using the P62/SCLA0 pin as clock I/O and the P63/SDAA0 pin as serial data I/O, clear P62, P63, and the output latches of P62 and P63 to 0.

Set the IICE0 bit (bit 7 of IICA control register 00 (IICCTL00)) to 1 before setting the output mode because the P62/SCLA0 and P63/SDAA0 pins output a low level (fixed) when the IICE0 bit is 0.

The PM6 register can be set by a 1-bit or 8-bit memory manipulation instruction.

Reset signal generation sets this register to FFH.

Figure 16-12. Format of Port Mode Register 6 (PM6)

Address: FFF26H After reset: FFH R/W

Symbol	7	6	5	4	3	2	1	0
PM6	1	1	1	1	PM63	PM62	PM61	PM60

PM6n	P6n pin I/O mode selection (n = 0 to 3)
0	Output mode (output buffer on)
1	Input mode (output buffer off)

Caution PM62 and PM63 are used for the IICA serial interface.

16.3.9 Port output mode register (POM6)

This register sets the output mode of P60 to P63 in 1-bit units.

N-ch open drain output (EV_{DD0} tolerance) mode can be selected for the SCLA0 and SDAA0 pins during I²C communication.

When using the P62/SCLA0 pin as clock I/O and the P63/SDAA0 pin as serial data I/O, set POM62 and POM63 to 1.

Set the IICE0 bit (bit 7 of IICA control register 00 (IICCTL00)) to 1 before setting the output mode because the P62/SCLA0 and P63/SDAA0 pins output a low level (fixed) when the IICE0 bit is 0.

The POM6 register can be set by a 1-bit or 8-bit memory manipulation instruction.

Reset signal generation clears this register to 00H.

Figure 16-13. Format of Port Output Mode Register 6 (POM6)

Address: F0056H After reset: 00H R/W

Symbol	7	6	5	4	3	2	1	0
POM6	0	0	0	0	POM63	POM62	POM61	POM60

POMmn	P6n pin output mode selection (n = 0 to 3)
0	Normal output mode
1	N-ch open-drain output (EV _{DD0} tolerance) mode

Caution POM62 and POM63 are used for the IICA serial interface.

16.4 I²C Bus Mode Functions

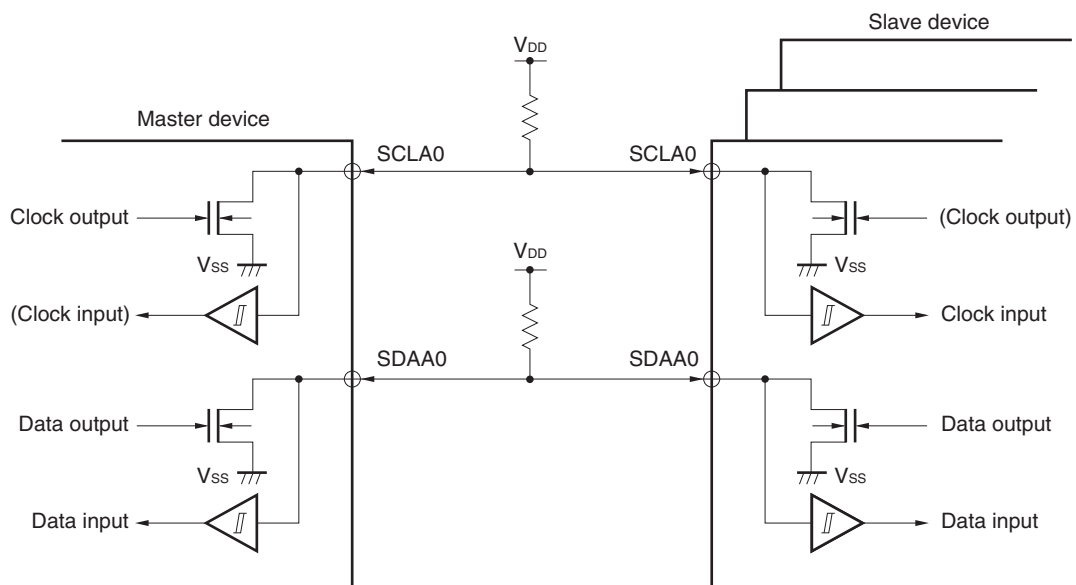
16.4.1 Pin configuration

The serial clock pin (SCLA0) and the serial data bus pin (SDAA0) are configured as follows.

- (1) SCLA0 This pin is used for serial clock input and output.
This pin is an N-ch open-drain output for both master and slave devices. Input is Schmitt input.
- (2) SDAA0 This pin is used for serial data input and output.
This pin is an N-ch open-drain output for both master and slave devices. Input is Schmitt input.

Since outputs from the serial clock line and the serial data bus line are N-ch open-drain outputs, an external pull-up resistor is required.

Figure 16-14. Pin Configuration Diagram



16.4.2 Setting transfer clock by using IICWLO and IICWH0 registers

(1) Setting transfer clock on master side

$$\text{Transfer clock} = \frac{f_{\text{MCK}}}{\text{IICWLO} + \text{IICWH0} + f_{\text{MCK}}(t_{\text{R}} + t_{\text{F}})}$$

At this time, the optimal setting values of the IICWLO and IICWH0 registers are as follows.
(The fractional parts of all setting values are rounded up.)

- When the fast mode

$$\begin{aligned} \text{IICWLO} &= \frac{0.52}{\text{Transfer clock}} \times f_{\text{MCK}} \\ \text{IICWH0} &= \left(\frac{0.48}{\text{Transfer clock}} - t_{\text{R}} - t_{\text{F}} \right) \times f_{\text{MCK}} \end{aligned}$$

- When the normal mode

$$\begin{aligned} \text{IICWLO} &= \frac{0.47}{\text{Transfer clock}} \times f_{\text{MCK}} \\ \text{IICWH0} &= \left(\frac{0.53}{\text{Transfer clock}} - t_{\text{R}} - t_{\text{F}} \right) \times f_{\text{MCK}} \end{aligned}$$

- When the fast mode plus

$$\begin{aligned} \text{IICWLO} &= \frac{0.50}{\text{Transfer clock}} \times f_{\text{MCK}} \\ \text{IICWH0} &= \left(\frac{0.50}{\text{Transfer clock}} - t_{\text{R}} - t_{\text{F}} \right) \times f_{\text{MCK}} \end{aligned}$$

(2) Setting IICWLO and IICWH0 registers on slave side

(The fractional parts of all setting values are truncated.)

- When the fast mode

$$\begin{aligned} \text{IICWLO} &= 1.3 \mu\text{s} \times f_{\text{MCK}} \\ \text{IICWH0} &= (1.2 \mu\text{s} - t_{\text{R}} - t_{\text{F}}) \times f_{\text{MCK}} \end{aligned}$$

- When the normal mode

$$\begin{aligned} \text{IICWLO} &= 4.7 \mu\text{s} \times f_{\text{MCK}} \\ \text{IICWH0} &= (5.3 \mu\text{s} - t_{\text{R}} - t_{\text{F}}) \times f_{\text{MCK}} \end{aligned}$$

- When the fast mode plus

$$\begin{aligned} \text{IICWLO} &= 0.50 \mu\text{s} \times f_{\text{MCK}} \\ \text{IICWH0} &= (0.50 \mu\text{s} - t_{\text{R}} - t_{\text{F}}) \times f_{\text{MCK}} \end{aligned}$$

(Cautions and Remarks are listed on the next page.)

- Cautions**
1. The fastest operation frequency of the operation clock for IICA (f_{MCK}) is 20 MHz (max.). Set bit 0 (PRS0) of the IICA control register 01 (IICCTL01) to 1 only when the f_{CLK} exceeds 20 MHz.
 2. Note the minimum f_{CLK} operation frequency when setting the transfer clock. The minimum f_{CLK} operation frequency for serial interface IICA is determined according to the mode.

Fast mode: $f_{CLK} = 3.5 \text{ MHz (min.)}$

Fast mode plus: $f_{CLK} = 10 \text{ MHz (min.)}$

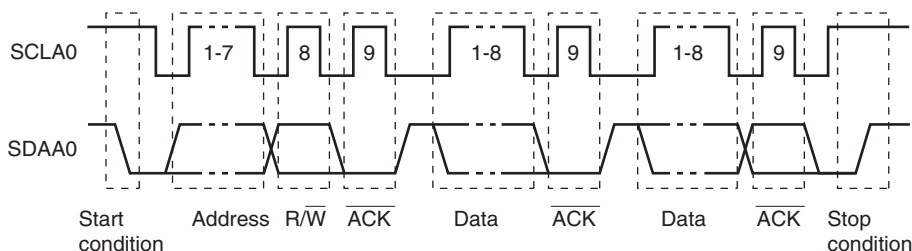
Normal mode: $f_{CLK} = 1 \text{ MHz (min.)}$

- Remarks**
1. Calculate the rise time (t_R) and fall time (t_F) of the SDAA0 and SCLA0 signals separately, because they differ depending on the pull-up resistance and wire load.
 2. IICWLO: IICA low-level width setting register 0
IICWH0: IICA high-level width setting register 0
 t_F : SDAA0 and SCLA0 signal falling times
 t_R : SDAA0 and SCLA0 signal rising times
 f_{MCK} : Frequency of the IICA operation clock

16.5 I²C Bus Definitions and Control Methods

The following section describes the I²C bus's serial data communication format and the signals used by the I²C bus. Figure 16-15 shows the transfer timing for the "start condition", "address", "data", and "stop condition" output via the I²C bus's serial data bus.

Figure 16-15. I²C Bus Serial Data Transfer Timing



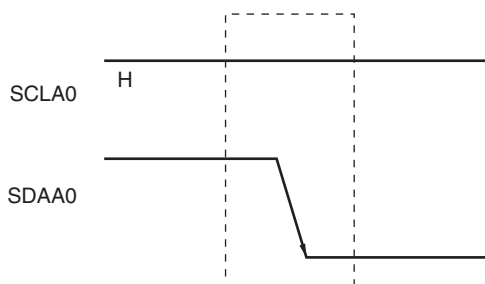
The master device generates the start condition, slave address, and stop condition. The acknowledge (\overline{ACK}) can be generated by either the master or slave device (normally, it is output by the device that receives 8-bit data).

The serial clock (SCLA0) is continuously output by the master device. However, in the slave device, the SCLA0 pin low level period can be extended and a wait can be inserted.

16.5.1 Start conditions

A start condition is met when the SCLA0 pin is at high level and the SDAA0 pin changes from high level to low level. The start conditions for the SCLA0 pin and SDAA0 pin are signals that the master device generates to the slave device when starting a serial transfer. When the device is used as a slave, start conditions can be detected.

Figure 16-16. Start Conditions



A start condition is output when bit 1 (STT0) of IICA control register 00 (IICCTL00) is set (1) after a stop condition has been detected (SPD0: Bit 0 of the IICA status register 0 (IICS0) = 1). When a start condition is detected, bit 1 (STD0) of the IICS0 register is set (1).

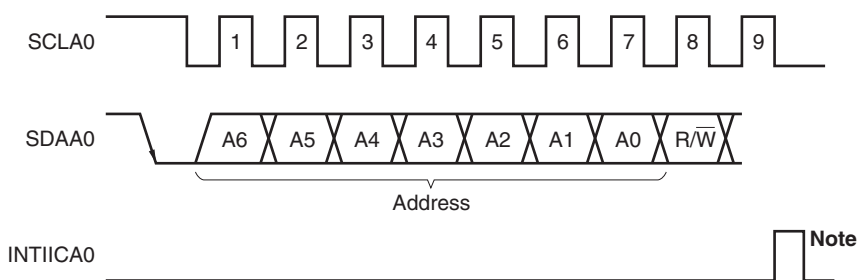
16.5.2 Addresses

The address is defined by the 7 bits of data that follow the start condition.

An address is a 7-bit data segment that is output in order to select one of the slave devices that are connected to the master device via the bus lines. Therefore, each slave device connected via the bus lines must have a unique address.

The slave devices include hardware that detects the start condition and checks whether or not the 7-bit address data matches the data values stored in the slave address register 0 (SVA0). If the address data matches the SVA0 register values, the slave device is selected and communicates with the master device until the master device generates a start condition or stop condition.

Figure 16-17. Address



Note INTIICA0 is not issued if data other than a local address or extension code is received during slave device operation.

Addresses are output when a total of 8 bits consisting of the slave address and the transfer direction described in **16.5.3 Transfer direction specification** are written to the IICA shift register 0 (IICA0). The received addresses are written to the IICA0 register.

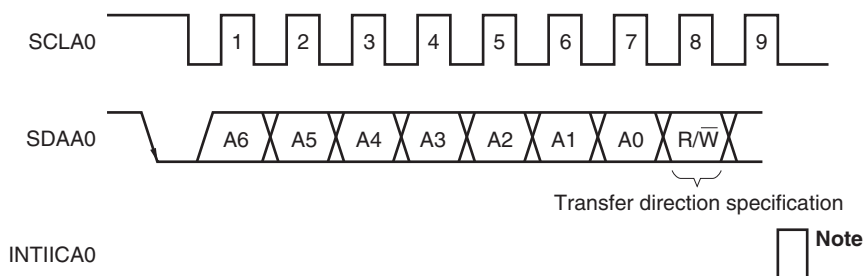
The slave address is assigned to the higher 7 bits of the IICA0 register.

16.5.3 Transfer direction specification

In addition to the 7-bit address data, the master device sends 1 bit that specifies the transfer direction.

When this transfer direction specification bit has a value of “0”, it indicates that the master device is transmitting data to a slave device. When the transfer direction specification bit has a value of “1”, it indicates that the master device is receiving data from a slave device.

Figure 16-18. Transfer Direction Specification



Note INTIICA0 is not issued if data other than a local address or extension code is received during slave device operation.

16.5.4 Acknowledge (\overline{ACK})

\overline{ACK} is used to check the status of serial data at the transmission and reception sides.

The reception side returns \overline{ACK} each time it has received 8-bit data.

The transmission side usually receives \overline{ACK} after transmitting 8-bit data. When \overline{ACK} is returned from the reception side, it is assumed that reception has been correctly performed and processing is continued. Whether \overline{ACK} has been detected can be checked by using bit 2 (ACKD0) of the IICA status register 0 (IICS0).

When the master receives the last data item, it does not return \overline{ACK} and instead generates a stop condition. If a slave does not return \overline{ACK} after receiving data, the master outputs a stop condition or restart condition and stops transmission. If \overline{ACK} is not returned, the possible causes are as follows.

- <1> Reception was not performed normally.
- <2> The final data item was received.
- <3> The reception side specified by the address does not exist.

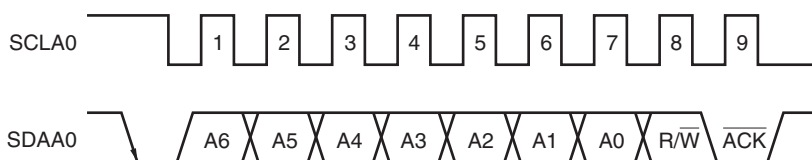
To generate \overline{ACK} , the reception side makes the SDAA0 line low at the ninth clock (indicating normal reception).

Automatic generation of \overline{ACK} is enabled by setting bit 2 (ACKE0) of IICA control register 00 (IICCTL00) to 1. Bit 3 (TRC0) of the IICS0 register is set by the data of the eighth bit that follows 7-bit address information. Usually, set the ACKE0 bit to 1 for reception (TRC0 = 0).

If a slave can receive no more data during reception (TRC0 = 0) or does not require the next data item, then the slave must inform the master, by clearing the ACKE0 bit to 0, that it will not receive any more data.

When the master does not require the next data item during reception (TRC0 = 0), it must clear the ACKE0 bit to 0 so that \overline{ACK} is not generated. In this way, the master informs a slave at the transmission side that it does not require any more data (transmission will be stopped).

Figure 16-19. \overline{ACK}



When the local address is received, \overline{ACK} is automatically generated, regardless of the value of the ACKE0 bit. When an address other than that of the local address is received, \overline{ACK} is not generated (NACK).

When an extension code is received, \overline{ACK} is generated if the ACKE0 bit is set to 1 in advance.

How \overline{ACK} is generated when data is received differs as follows depending on the setting of the wait timing.

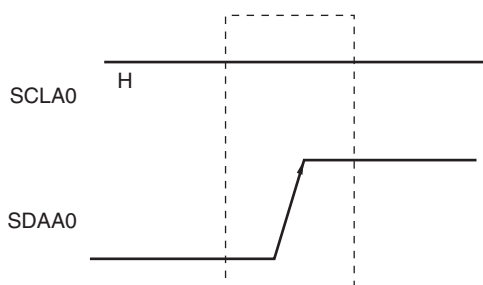
- When 8-clock wait state is selected (bit 3 (WTIM0) of IICCTL00 register = 0):
By setting the ACKE0 bit to 1 before releasing the wait state, \overline{ACK} is generated at the falling edge of the eighth clock of the SCL A0 pin.
- When 9-clock wait state is selected (bit 3 (WTIM0) of IICCTL00 register = 1):
 \overline{ACK} is generated by setting the ACKE0 bit to 1 in advance.

16.5.5 Stop condition

When the SCLA0 pin is at high level, changing the SDAA0 pin from low level to high level generates a stop condition.

A stop condition is a signal that the master device generates to the slave device when serial transfer has been completed. When the device is used as a slave, stop conditions can be detected.

Figure 16-20. Stop Condition



A stop condition is generated when bit 0 (SPT0) of IICA control register 00 (IICCTL00) is set to 1. When the stop condition is detected, bit 0 (SPD0) of the IICA status register 0 (IICS0) is set to 1 and INTIICA0 is generated when bit 4 (SPIE0) of the IICCTL00 register is set to 1.

16.5.6 Wait

The wait is used to notify the communication partner that a device (master or slave) is preparing to transmit or receive data (i.e., is in a wait state).

Setting the SCLA0 pin to low level notifies the communication partner of the wait state. When wait state has been canceled for both the master and slave devices, the next data transfer can begin.

Figure 16-21. Wait (1/2)

(1) When master device has a nine-clock wait and slave device has an eight-clock wait (master transmits, slave receives, and ACKE0 = 1)

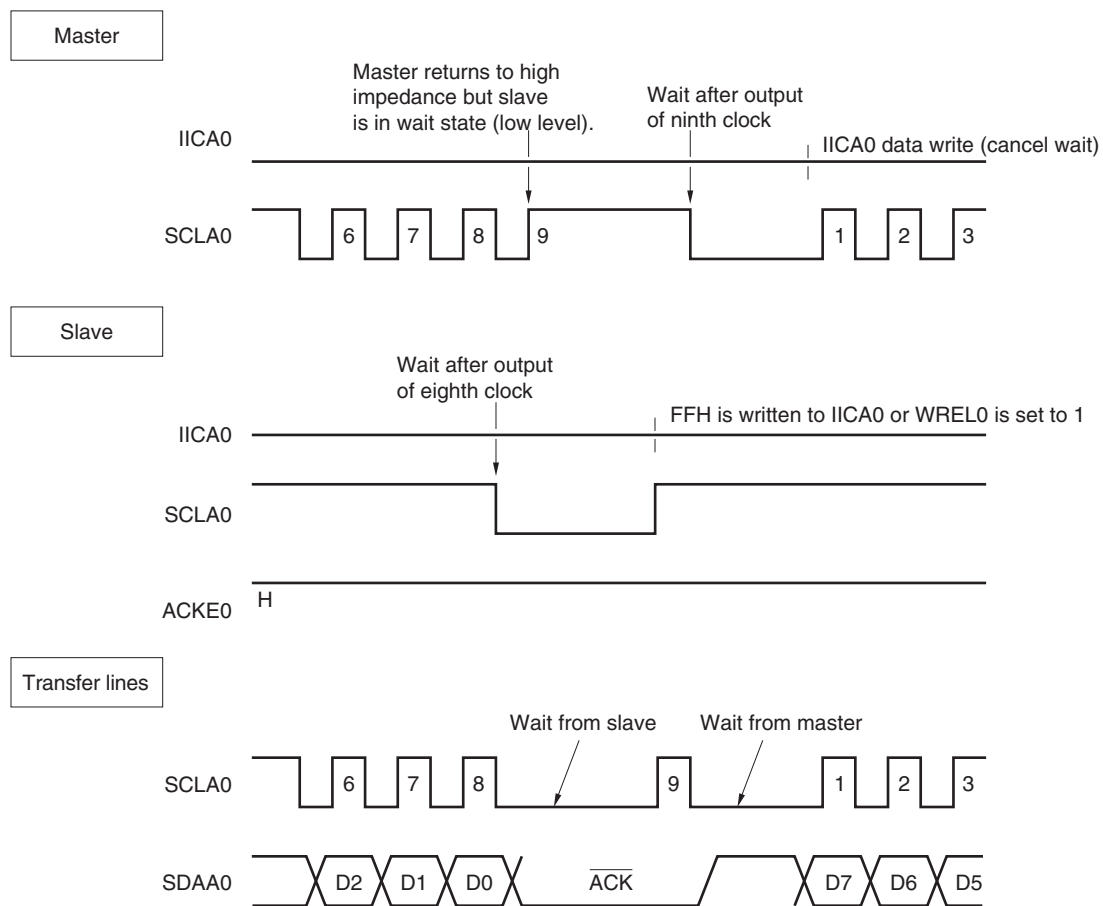
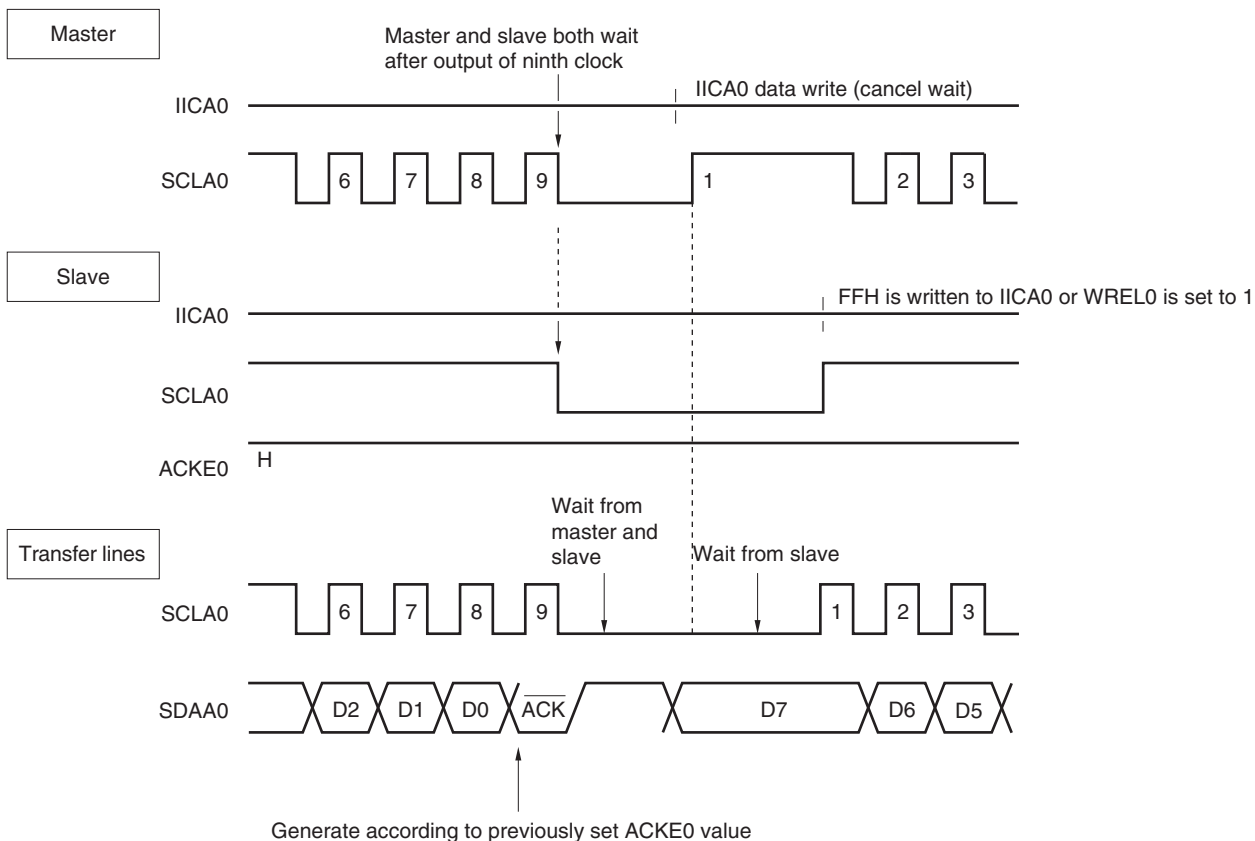


Figure 16-21. Wait (2/2)

**(2) When master and slave devices both have a nine-clock wait
(master transmits, slave receives, and ACKE0 = 1)**



Remark ACKE0: Bit 2 of IICA control register 00 (IICCTL00)
 WREL0: Bit 5 of IICA control register 00 (IICCTL00)

A wait may be automatically generated depending on the setting of bit 3 (WTIM0) of IICA control register 00 (IICCTL00). Normally, the receiving side cancels the wait state when bit 5 (WREL0) of the IICCTL00 register is set to 1 or when FFH is written to the IICA shift register 0 (IICA0), and the transmitting side cancels the wait state when data is written to the IICA0 register.

The master device can also cancel the wait state via either of the following methods.

- By setting bit 1 (STT0) of the IICCTL00 register to 1
- By setting bit 0 (SPT0) of the IICCTL00 register to 1

16.5.7 Canceling wait

The I²C usually cancels a wait state by the following processing.

- Writing data to the IICA shift register 0 (IICA0)
- Setting bit 5 (WRELO) of IICA control register 00 (IICCTL00) (canceling wait)
- Setting bit 1 (STT0) of the IICCTL00 register (generating start condition) **Note**
- Setting bit 0 (SPT0) of the IICCTL00 register (generating stop condition) **Note**

Note Master only

When the above wait canceling processing is executed, the I²C cancels the wait state and communication is resumed.

To cancel a wait state and transmit data (including addresses), write the data to the IICA0 register.

To receive data after canceling a wait state, or to complete data transmission, set bit 5 (WRELO) of the IICCTL00 register to 1.

To generate a restart condition after canceling a wait state, set bit 1 (STT0) of the IICCTL00 register to 1.

To generate a stop condition after canceling a wait state, set bit 0 (SPT0) of the IICCTL00 register to 1.

Execute the canceling processing only once for one wait state.

If, for example, data is written to the IICA0 register after canceling a wait state by setting the WRELO bit to 1, an incorrect value may be output to SDA0 line because the timing for changing the SDA0 line conflicts with the timing for writing the IICA0 register.

In addition to the above, communication is stopped if the IICE0 bit is cleared to 0 when communication has been aborted, so that the wait state can be canceled.

If the I²C bus has deadlocked due to noise, processing is saved from communication by setting bit 6 (LRELO) of the IICCTL00 register, so that the wait state can be canceled.

Caution If a processing to cancel a wait state is executed when WUP0 = 1, the wait state will not be canceled.

16.5.8 Interrupt request (INTIICA0) generation timing and wait control

The setting of bit 3 (WTIM0) of IICA control register 00 (IICCTL00) determines the timing by which INTIICA0 is generated and the corresponding wait control, as shown in Table 16-2.

Table 16-2. INTIICA0 Generation Timing and Wait Control

WTIM0	During Slave Device Operation			During Master Device Operation		
	Address	Data Reception	Data Transmission	Address	Data Reception	Data Transmission
0	9 Notes 1, 2	8 Note 2	8 Note 2	9	8	8
1	9 Notes 1, 2	9 Note 2	9 Note 2	9	9	9

Notes 1. The slave device's INTIICA0 signal and wait period occurs at the falling edge of the ninth clock only when there is a match with the address set to the slave address register 0 (SVA0).

At this point, \overline{ACK} is generated regardless of the value set to the IICCTL00 register's bit 2 (ACKE0). For a slave device that has received an extension code, INTIICA0 occurs at the falling edge of the eighth clock.

However, if the address does not match after restart, INTIICA0 is generated at the falling edge of the 9th clock, but wait does not occur.

- 2.** If the received address does not match the contents of the slave address register 0 (SVA0) and extension code is not received, neither INTIICA0 nor a wait occurs.

Remark The numbers in the table indicate the number of the serial clock's clock signals. Interrupt requests and wait control are both synchronized with the falling edge of these clock signals.

(1) During address transmission/reception

- Slave device operation: Interrupt and wait timing are determined depending on the conditions described in Notes 1 and 2 above, regardless of the WTIM0 bit.
- Master device operation: Interrupt and wait timing occur at the falling edge of the ninth clock regardless of the WTIM0 bit.

(2) During data reception

- Master/slave device operation: Interrupt and wait timing are determined according to the WTIM0 bit.

(3) During data transmission

- Master/slave device operation: Interrupt and wait timing are determined according to the WTIM0 bit.

(4) Wait cancellation method

The four wait cancellation methods are as follows.

- Writing data to the IICA shift register 0 (IICA0)
- Setting bit 5 (WREL0) of IICA control register 00 (IICCTL00) (canceling wait)
- Setting bit 1 (STT0) of IICCTL00 register (generating start condition)^{Note}
- Setting bit 0 (SPT0) of IICCTL00 register (generating stop condition)^{Note}

Note Master only.

When an 8-clock wait has been selected (WTIM0 = 0), the presence/absence of \overline{ACK} generation must be determined prior to wait cancellation.

(5) Stop condition detection

INTIICA0 is generated when a stop condition is detected (only when SPIE0 = 1).

16.5.9 Address match detection method

In I²C bus mode, the master device can select a particular slave device by transmitting the corresponding slave address.

Address match can be detected automatically by hardware. An interrupt request (INTIICA0) occurs when the address set to the slave address register 0 (SVA0) matches the slave address sent by the master device, or when an extension code has been received.

16.5.10 Error detection

In I²C bus mode, the status of the serial data bus (SDAA0) during data transmission is captured by the IICA shift register 0 (IICA0) of the transmitting device, so the IICA data prior to transmission can be compared with the transmitted IICA data to enable detection of transmission errors. A transmission error is judged as having occurred when the compared data values do not match.

16.5.11 Extension code

- (1) When the higher 4 bits of the receive address are either 0000 or 1111, the extension code reception flag (EXC0) is set to 1 for extension code reception and an interrupt request (INTIICA0) is issued at the falling edge of the eighth clock. The local address stored in the slave address register 0 (SVA0) is not affected.
- (2) The settings below are specified if 11110xx0 is transferred from the master by using a 10-bit address transfer when the SVA0 register is set to 11110xx0. Note that INTIICA0 occurs at the falling edge of the eighth clock.
 - Higher four bits of data match: EXC0 = 1
 - Seven bits of data match: COI0 = 1

Remark EXC0: Bit 5 of IICA status register 0 (IICS0)
COI0: Bit 4 of IICA status register 0 (IICS0)

- (3) Since the processing after the interrupt request occurs differs according to the data that follows the extension code, such processing is performed by software.
If the extension code is received while a slave device is operating, then the slave device is participating in communication even if its address does not match.
For example, after the extension code is received, if you do not wish to operate the target device as a slave device, set bit 6 (LREL0) of IICA control register 00 (IICCTL00) to 1 to set the standby mode for the next communication operation.

Table 16-3. Bit Definitions of Major Extension Codes

Slave Address	R/W Bit	Description
0 0 0 0 0 0 0	0	General call address
1 1 1 1 0 x x	0	10-bit slave address specification (during address authentication)
1 1 1 1 0 x x	1	10-bit slave address specification (after address match, when read command is issued)

Remark See the I²C bus specifications issued by NXP Semiconductors for details of extension codes other than those described above.

16.5.12 Arbitration

When several master devices simultaneously generate a start condition (when the STT0 bit is set to 1 before the STD0 bit is set to 1), communication among the master devices is performed as the number of clocks are adjusted until the data differs. This kind of operation is called arbitration.

When one of the master devices loses in arbitration, an arbitration loss flag (ALD0) in the IICA status register 0 (IICS0) is set (1) via the timing by which the arbitration loss occurred, and the SCLA0 and SDAA0 lines are both set to high impedance, which releases the bus.

The arbitration loss is detected based on the timing of the next interrupt request (the eighth or ninth clock, when a stop condition is detected, etc.) and the ALD0 = 1 setting that has been made by software.

For details of interrupt request timing, see **16.5.8 Interrupt request (INTIICA0) generation timing and wait control.**

Remark STD0: Bit 1 of IICA status register 0 (IICS0)
 STT0: Bit 1 of IICA control register 00 (IICCTL00)

Figure 16-22. Arbitration Timing Example

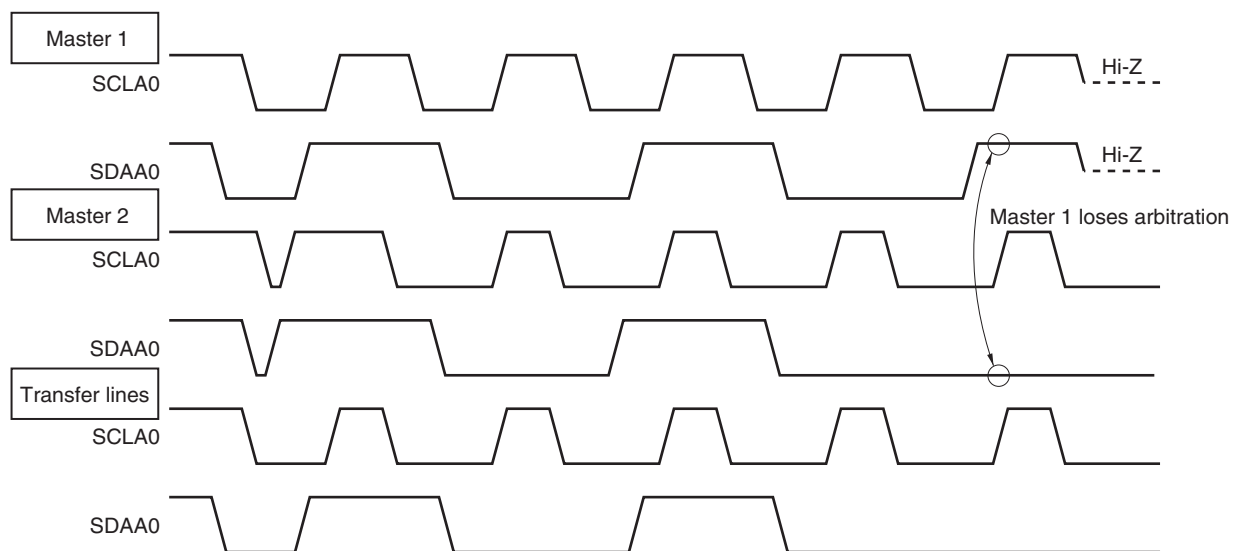


Table 16-4. Status During Arbitration and Interrupt Request Generation Timing

Status During Arbitration	Interrupt Request Generation Timing
During address transmission	At falling edge of eighth or ninth clock following byte transfer ^{Note 1}
Read/write data after address transmission	
During extension code transmission	
Read/write data after extension code transmission	
During data transmission	
During $\overline{\text{ACK}}$ transfer period after data transmission	
When restart condition is detected during data transfer	
When stop condition is detected during data transfer	When stop condition is generated (when SPIE0 = 1) ^{Note 2}
When data is at low level while attempting to generate a restart condition	At falling edge of eighth or ninth clock following byte transfer ^{Note 1}
When stop condition is detected while attempting to generate a restart condition	When stop condition is generated (when SPIE0 = 1) ^{Note 2}
When data is at low level while attempting to generate a stop condition	At falling edge of eighth or ninth clock following byte transfer ^{Note 1}
When SCLA0 is at low level while attempting to generate a restart condition	

- Notes 1.** When the WTIM0 bit (bit 3 of IICA control register 00 (IICCTL00)) = 1, an interrupt request occurs at the falling edge of the ninth clock. When WTIM0 = 0 and the extension code's slave address is received, an interrupt request occurs at the falling edge of the eighth clock.
- 2.** When there is a chance that arbitration will occur, set SPIE0 = 1 for master device operation.

Remark SPIE0: Bit 4 of IICA control register 00 (IICCTL00)

16.5.13 Wakeup function

The I²C bus slave function is a function that generates an interrupt request signal (INTIICA0) when a local address and extension code have been received.

This function makes processing more efficient by preventing unnecessary INTIICA0 signal from occurring when addresses do not match.

When a start condition is detected, wakeup standby mode is set. This wakeup standby mode is in effect while addresses are transmitted due to the possibility that an arbitration loss may change the master device (which has generated a start condition) to a slave device.

To use the wakeup function in the STOP mode, set the WUP0 bit to 1. Addresses can be received regardless of the operation clock. An interrupt request signal (INTIICA0) is also generated when a local address and extension code have been received. Operation returns to normal operation by using an instruction to clear (0) the WUP0 bit after this interrupt has been generated.

Figure 16-23 shows the flow for setting WUP0 = 1 and Figure 16-24 shows the flow for setting WUP0 = 0 upon an address match.

Figure 16-23. Flow When Setting WUP0 = 1

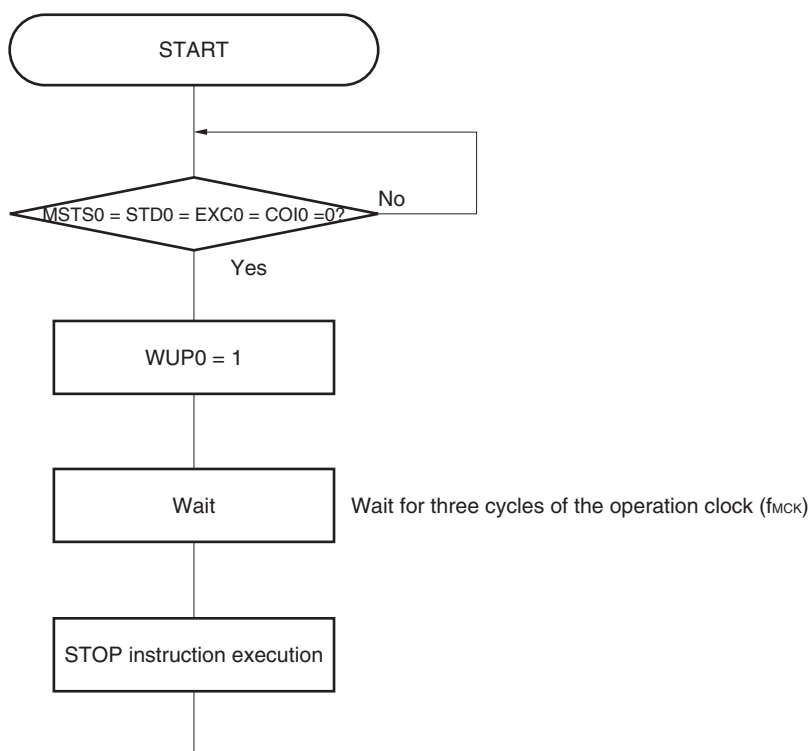
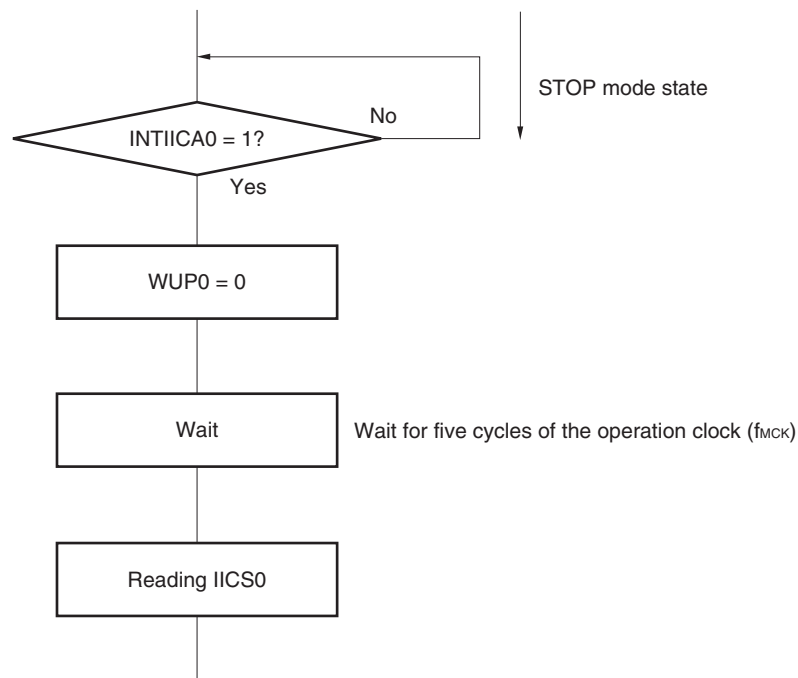


Figure 16-24. Flow When Setting WUP0 = 0 upon Address Match (Including Extension Code Reception)

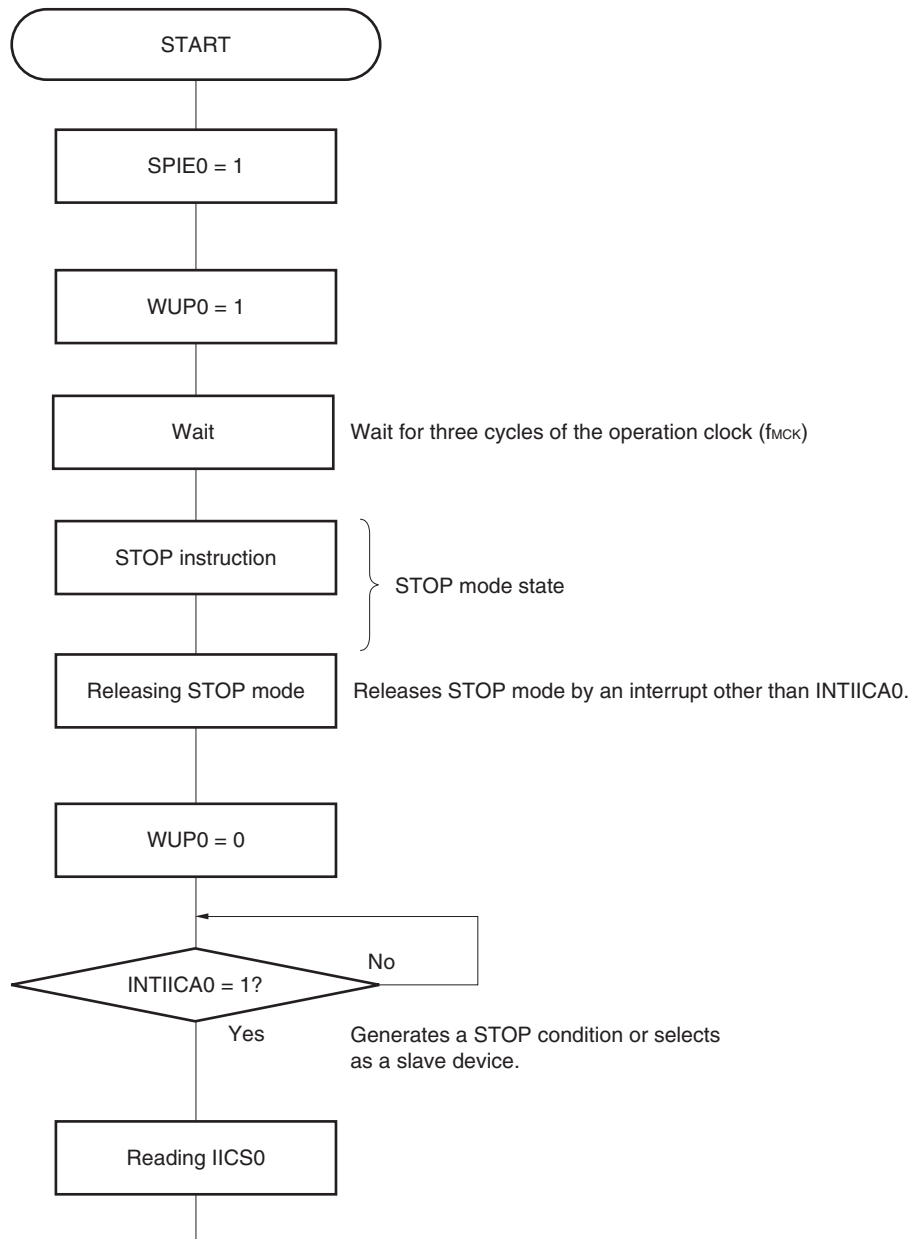


Executes processing corresponding to the operation to be executed after checking the operation state of serial interface IICA.

Use the following flows to perform the processing to release the STOP mode other than by an interrupt request (INTIICA0) generated from serial interface IICA.

- Master device operation: Flow shown in Figure 16-25
- Slave device operation: Same as the flow in Figure 16-24. The value of WUP0 must be kept 1 until the INTIICA0 is set to 1.

Figure 16-25. When Operating as Master Device after Releasing STOP Mode other than by INTIICA0



Executes processing corresponding to the operation to be executed after checking the operation state of serial interface IICA.

16.5.14 Communication reservation

(1) When communication reservation function is enabled (bit 0 (IICRSV0) of IICA flag register 0 (IICF0) = 0)

To start master device communications when not currently using a bus, a communication reservation can be made to enable transmission of a start condition when the bus is released. There are two modes under which the bus is not used.

- When arbitration results in neither master nor slave operation
- When an extension code is received and slave operation is disabled (\overline{ACK} is not returned and the bus was released by setting bit 6 (LRELO) of IICA control register 00 (IICCTL00) to 1 and saving communication).

If bit 1 (STT0) of the IICCTL00 register is set to 1 while the bus is not used (after a stop condition is detected), a start condition is automatically generated and wait state is set.

If an address is written to the IICA shift register 0 (IICA0) after bit 4 (SPIE0) of the IICCTL00 register was set to 1, and it was detected by generation of an interrupt request signal (INTIICA0) that the bus was released (detection of the stop condition), then the device automatically starts communication as the master. Data written to the IICA0 register before the stop condition is detected is invalid.

When the STT0 bit has been set to 1, the operation mode (as start condition or as communication reservation) is determined according to the bus status.

- If the bus has been released a start condition is generated
- If the bus has not been released (standby mode)..... communication reservation

Check whether the communication reservation operates or not by using the MSTS0 bit (bit 7 of the IICA status register 0 (IICS0)) after the STT0 bit is set to 1 and the wait time elapses.

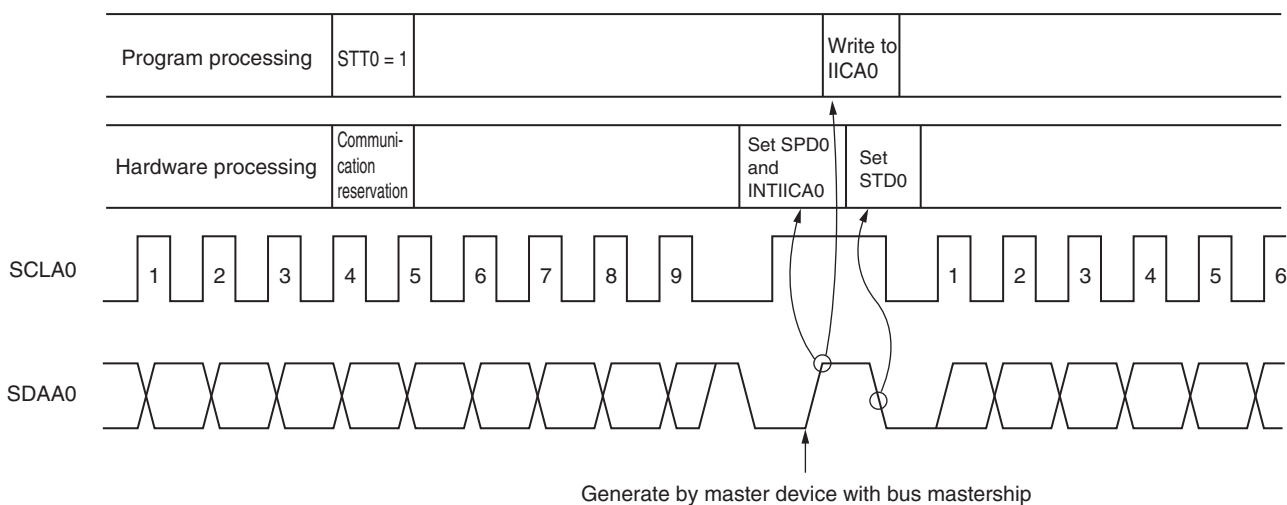
Use software to secure the wait time calculated by the following expression.

$$\text{Wait time from setting STT0 = 1 to checking the MSTS0 flag:} \\ (\text{IICWLO setting value} + \text{IICWH0 setting value} + 4) / f_{\text{MCK}} + t_{\text{F}} \times 2$$

Remark IICWLO: IICA low-level width setting register 0
 IICWH0: IICA high-level width setting register 0
 t_{F} : SDAA0 and SCLA0 signal falling times
 f_{MCK} : Frequency of the IICA operation clock

Figure 16-26 shows the communication reservation timing.

Figure 16-26. Communication Reservation Timing



- Remark**
- IICA0: IICA shift register 0
 - STT0: Bit 1 of IICA control register 00 (IICCTL00)
 - STD0: Bit 1 of IICA status register 0 (IICS0)
 - SPD0: Bit 0 of IICA status register 0 (IICS0)

Communication reservations are accepted via the timing shown in Figure 16-27. After bit 1 (STD0) of the IICA status register 0 (IICS0) is set to 1, a communication reservation can be made by setting bit 1 (STT0) of IICA control register 00 (IICCTL00) to 1 before a stop condition is detected.

Figure 16-27. Timing for Accepting Communication Reservations

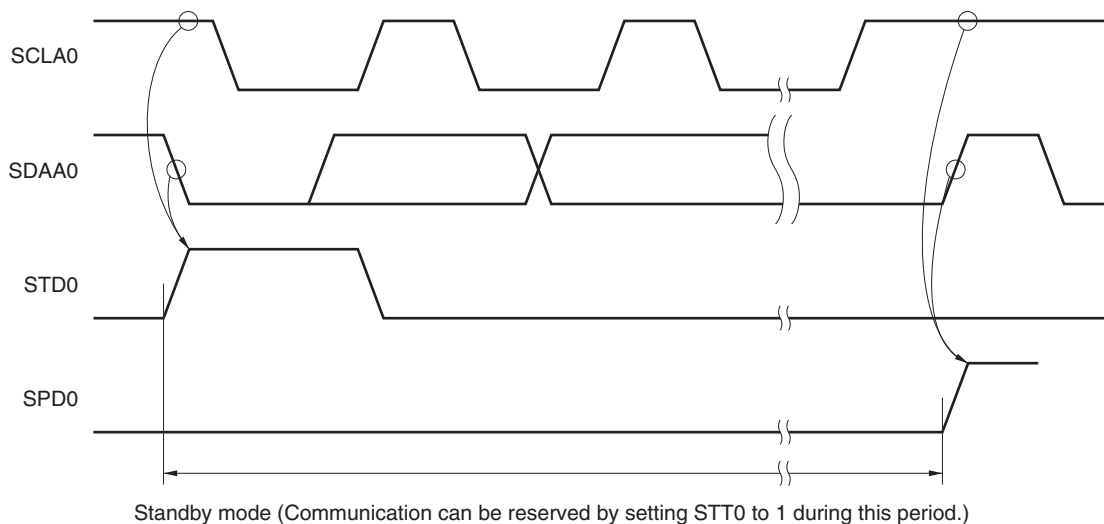
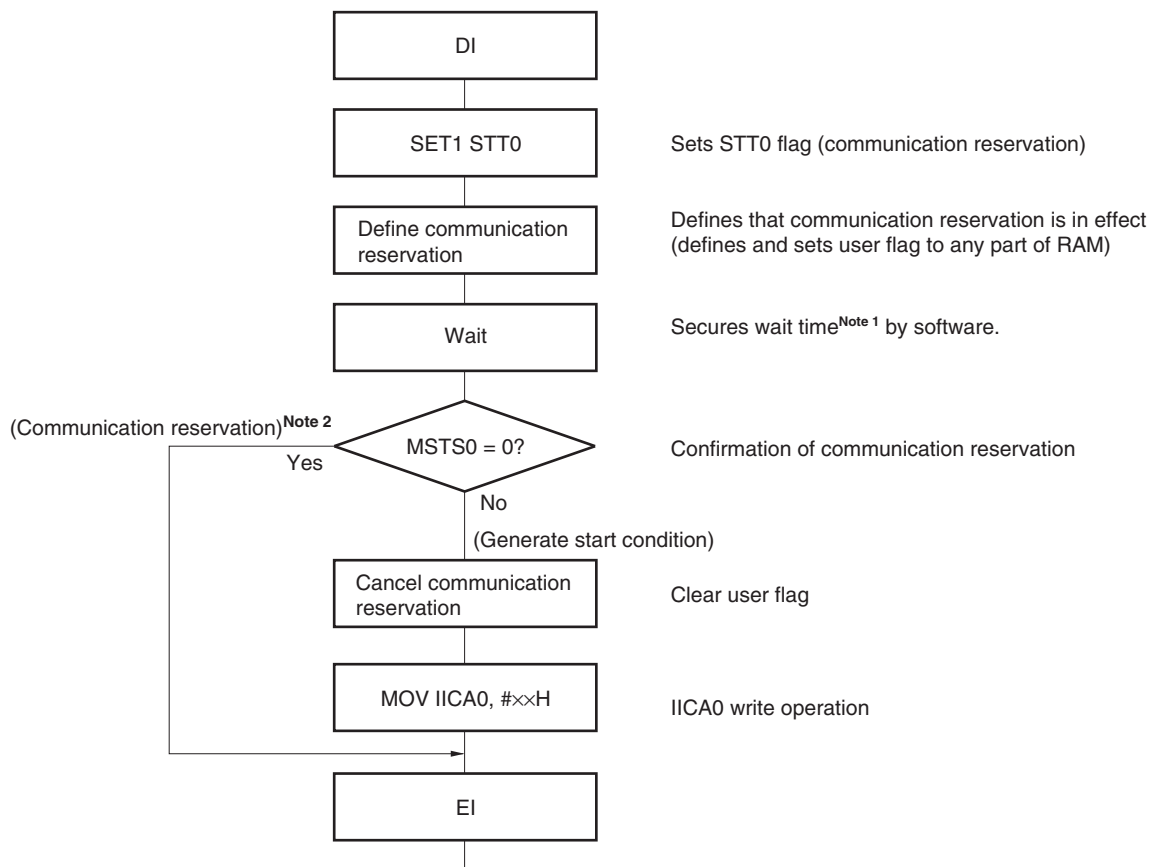


Figure 16-28 shows the communication reservation protocol.

Figure 16-28. Communication Reservation Protocol



Notes 1. The wait time is calculated as follows.

$$(IICWL0 \text{ setting value} + IICWH0 \text{ setting value} + 4) / f_{MCK} + t_F \times 2$$

- 2.** The communication reservation operation executes a write to the IICA shift register 0 (IICA0) when a stop condition interrupt request occurs.

Remark STT0: Bit 1 of IICA control register 00 (IICCTL00)
 MSTS0: Bit 7 of IICA status register 0 (IICS0)
 IICA0: IICA shift register 0
 IICWL0: IICA low-level width setting register 0
 IICWH0: IICA high-level width setting register 0
 t_F : SDAA0 and SCLA0 signal falling times
 f_{MCK} : Frequency of the IICA operation clock

(2) When communication reservation function is disabled (bit 0 (IICRSV0) of IICA flag register 0 (IICF0) = 1)

When bit 1 (STT0) of IICA control register 00 (IICCTL00) is set to 1 when the bus is not used in a communication during bus communication, this request is rejected and a start condition is not generated. The following two statuses are included in the status where bus is not used.

- When arbitration results in neither master nor slave operation
- When an extension code is received and slave operation is disabled (\overline{ACK} is not returned and the bus was released by setting bit 6 (LREL0) of the IICCTL00 register to 1 and saving communication)

To confirm whether the start condition was generated or request was rejected, check STCF0 (bit 7 of the IICF0 register). It takes up to 5 cycles of the operation clock (f_{MCK}) until the STCF0 bit is set to 1 after setting STT0 = 1. Therefore, secure the time by software.

16.5.15 Cautions

(1) When STCEN0 = 0

Immediately after I²C operation is enabled (IICE0 = 1), the bus communication status (IICBSY0 = 1) is recognized regardless of the actual bus status. When changing from a mode in which no stop condition has been detected to a master device communication mode, first generate a stop condition to release the bus, then perform master device communication.

When using multiple masters, it is not possible to perform master device communication when the bus has not been released (when a stop condition has not been detected).

Use the following sequence for generating a stop condition.

- <1> Set IICA control register 01 (IICCTL01).
- <2> Set bit 7 (IICE0) of IICA control register 00 (IICCTL00) to 1.
- <3> Set bit 0 (SPT0) of the IICCTL00 register to 1.

(2) When STCEN0 = 1

Immediately after I²C operation is enabled (IICE0 = 1), the bus released status (IICBSY0 = 0) is recognized regardless of the actual bus status. To generate the first start condition (STT0 = 1), it is necessary to confirm that the bus has been released, so as to not disturb other communications.

(3) If other I²C communications are already in progress

If I²C operation is enabled and the device participates in communication already in progress when the SDAA0 pin is low and the SCLA0 pin is high, the macro of I²C recognizes that the SDAA0 pin has gone low (detects a start condition). If the value on the bus at this time can be recognized as an extension code, $\overline{\text{ACK}}$ is returned, but this interferes with other I²C communications. To avoid this, start I²C in the following sequence.

- <1> Clear bit 4 (SPIE0) of the IICCTL00 register to 0 to disable generation of an interrupt request signal (INTIICA0) when the stop condition is detected.
- <2> Set bit 7 (IICE0) of the IICCTL00 register to 1 to enable the operation of I²C.
- <3> Wait for detection of the start condition.
- <4> Set bit 6 (LREL0) of the IICCTL00 register to 1 before $\overline{\text{ACK}}$ is returned (4 to 80 cycles of the operation clock (f_{MCK}) after setting the IICE0 bit to 1), to forcibly disable detection.

(4) Setting the STT0 and SPT0 bits (bits 1 and 0 of the IICCTL00 register) again after they are set and before they are cleared to 0 is prohibited.

(5) When transmission is reserved, set the SPIE0 bit (bit 4 of the IICCTL0 register) to 1 so that an interrupt request is generated when the stop condition is detected. Transfer is started when communication data is written to the IICA shift register 0 (IICA0) after the interrupt request is generated. Unless the interrupt is generated when the stop condition is detected, the device stops in the wait state because the interrupt request is not generated when communication is started. However, it is not necessary to set the SPIE0 bit to 1 when the MSTS0 bit (bit 7 of the IICA status register 0 (IICS0)) is detected by software.

16.5.16 Communication operations

The following shows three operation procedures with the flowchart.

(1) Master operation in single master system

The flowchart when using the RL78/F15 as the master in a single master system is shown below.

This flowchart is broadly divided into the initial settings and communication processing. Execute the initial settings at startup. If communication with the slave is required, prepare the communication and then execute communication processing.

(2) Master operation in multimaster system

In the I²C bus multimaster system, whether the bus is released or used cannot be judged by the I²C bus specifications when the bus takes part in a communication. Here, when data and clock are at a high level for a certain period (1 frame), the RL78/F15 takes part in a communication with bus released state.

This flowchart is broadly divided into the initial settings, communication waiting, and communication processing. The processing when the RL78/F15 loses in arbitration and is specified as the slave is omitted here, and only the processing as the master is shown. Execute the initial settings at startup to take part in a communication. Then, wait for the communication request as the master or wait for the specification as the slave. The actual communication is performed in the communication processing, and it supports the transmission/reception with the slave and the arbitration with other masters.

(3) Slave operation

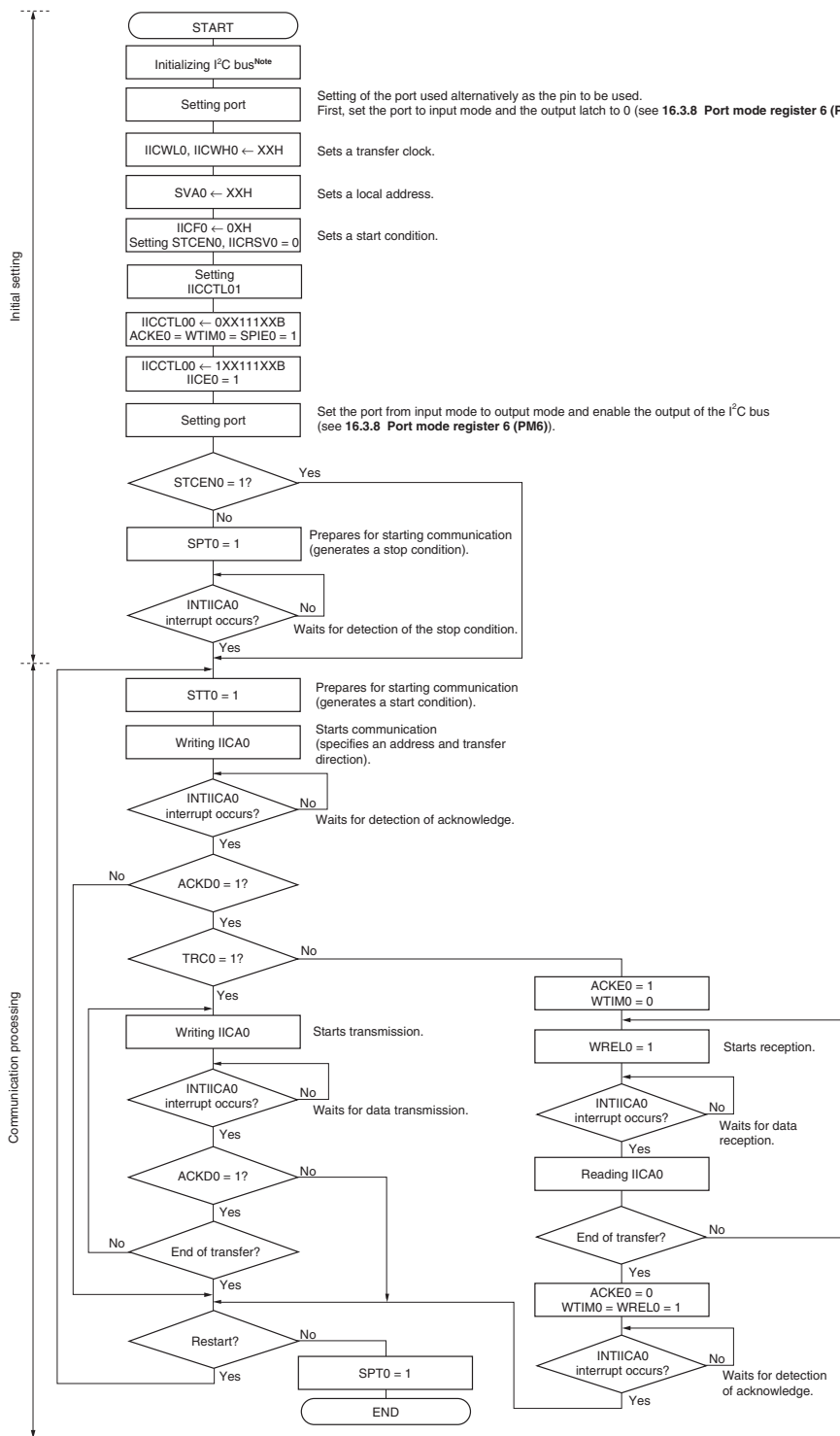
An example of when the RL78/F15 is used as the I²C bus slave is shown below.

When used as the slave, operation is started by an interrupt. Execute the initial settings at startup, then wait for the INTIICA0 interrupt occurrence (communication waiting). When an INTIICA0 interrupt occurs, the communication status is judged and its result is passed as a flag over to the main processing.

By checking the flags, necessary communication processing is performed.

(1) Master operation in single-master system

Figure 16-29. Master Operation in Single-Master System

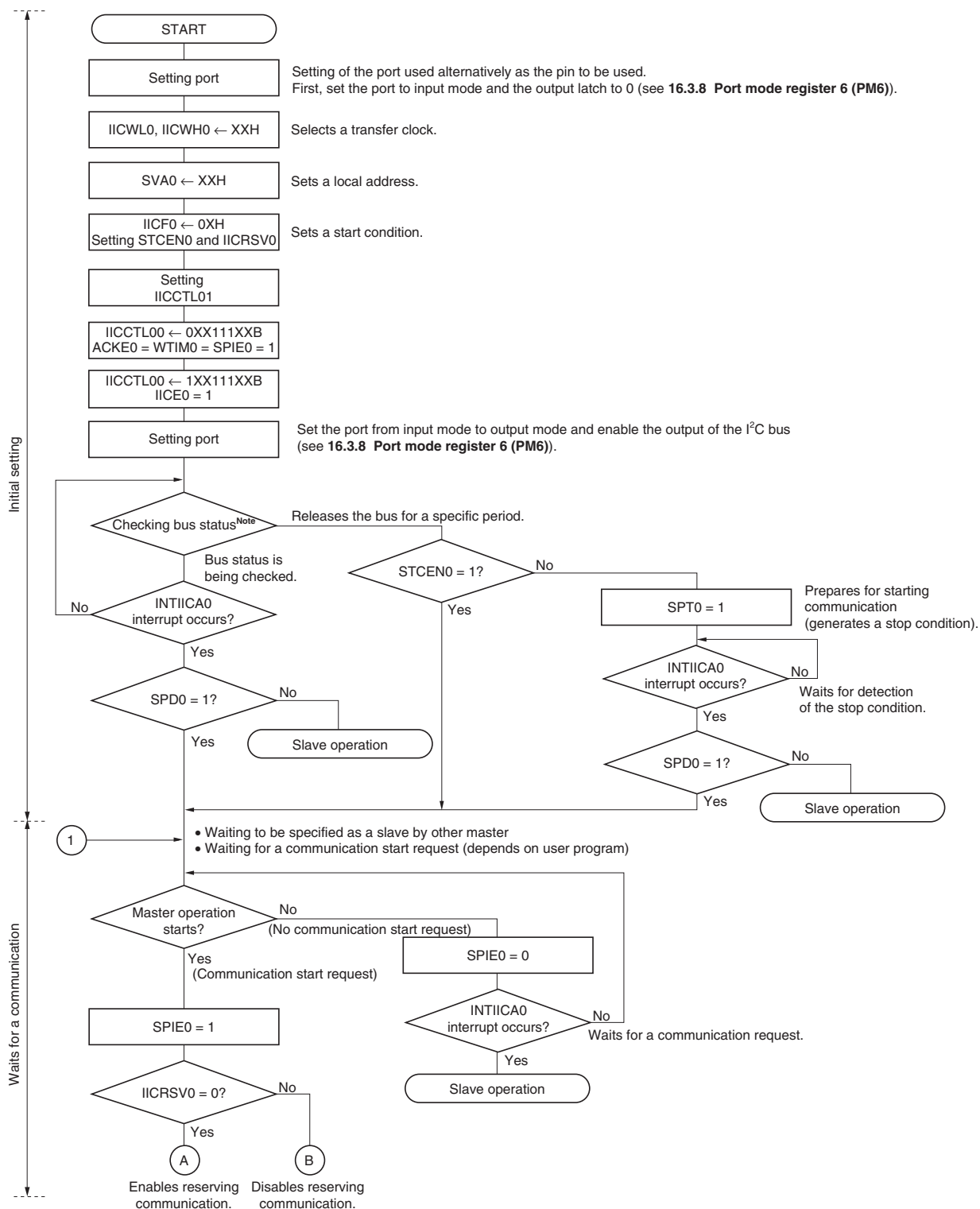


Note Release (SCLA0 and SDAA0 pins = high level) the I²C bus in conformance with the specifications of the product that is communicating. If EEPROM is outputting a low level to the SDAA0 pin, for example, set the SCLA0 pin in the output port mode, and output a clock pulse from the output port until the SDAA0 pin is constantly at high level.

Remark Conform to the specifications of the product that is communicating, with respect to the transmission and reception formats.

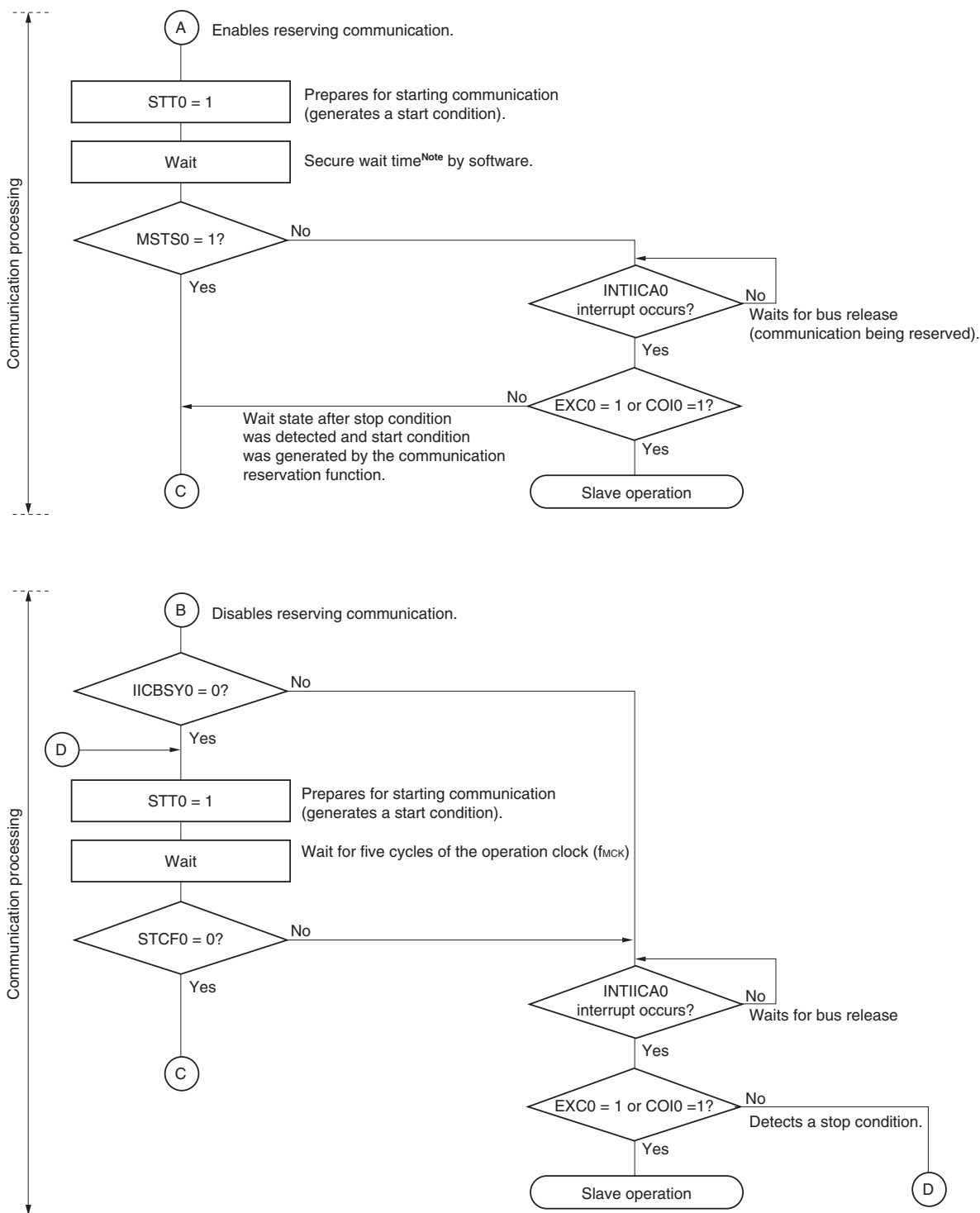
(2) Master operation in multi-master system

Figure 16-30. Master Operation in Multi-Master System (1/3)



Note Confirm that the bus is released (CLD0 bit = 1, DAD0 bit = 1) for a specific period (for example, for a period of one frame). If the SDA0 pin is constantly at low level, decide whether to release the I²C bus (SCLA0 and SDA0 pins = high level) in conformance with the specifications of the product that is communicating.

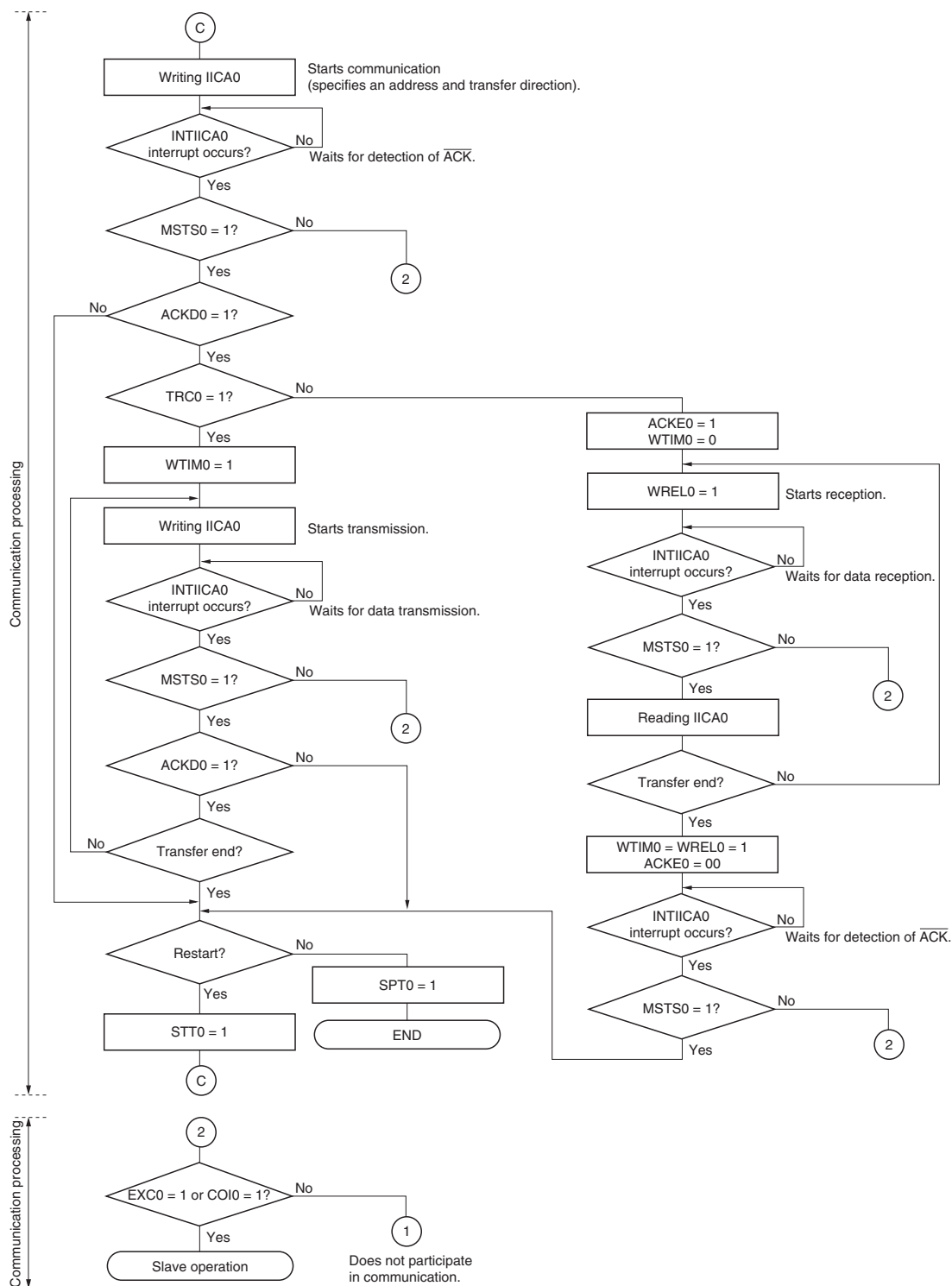
Figure 16-30. Master Operation in Multi-Master System (2/3)



Note The wait time is calculated as follows.
 $(IICWL0 \text{ setting value} + IICWH0 \text{ setting value} + 4) / f_{MCK} + t_f \times 2$

Remark IICWL0: IICA low-level width setting register 0
 IICWH0: IICA high-level width setting register 0
 t_f : SDAA0 and SCLA0 signal falling times
 f_{MCK} : Frequency of the IICA operation clock

Figure 16-30. Master Operation in Multi-Master System (3/3)



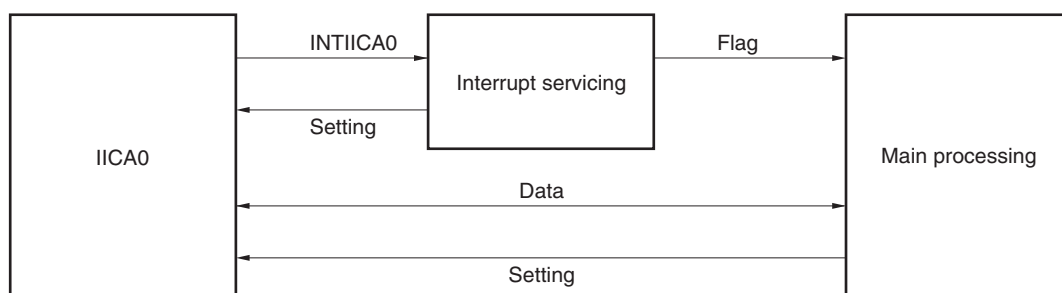
- Remarks 1.** Conform to the specifications of the product that is communicating, with respect to the transmission and reception formats.
- 2.** To use the device as a master in a multi-master system, read the MSTSO bit each time interrupt INTIICA0 has occurred to check the arbitration result.
- 3.** To use the device as a slave in a multi-master system, check the status by using the IICA status register 0 (IICS0) and IICA flag register 0 (IICF0) each time interrupt INTIICA0 has occurred, and determine the processing to be performed next.

(3) Slave operation

The processing procedure of the slave operation is as follows.

Basically, the slave operation is event-driven. Therefore, processing by the INTIICA0 interrupt (processing that must substantially change the operation status such as detection of a stop condition during communication) is necessary.

In the following explanation, it is assumed that the extension code is not supported for data communication. It is also assumed that the INTIICA0 interrupt servicing only performs status transition processing, and that actual data communication is performed by the main processing.



Therefore, data communication processing is performed by preparing the following three flags and passing them to the main processing instead of INTIICA0.

<1> Communication mode flag

This flag indicates the following two communication statuses.

- Clear mode: Status in which data communication is not performed
- Communication mode: Status in which data communication is performed (from valid address detection to stop condition detection, no detection of $\overline{\text{ACK}}$ from master, address mismatch)

<2> Ready flag

This flag indicates that data communication is enabled. Its function is the same as the INTIICA0 interrupt for ordinary data communication. This flag is set by interrupt servicing and cleared by the main processing. Clear this flag by interrupt servicing when communication is started. However, the ready flag is not set by interrupt servicing when the first data is transmitted. Therefore, the first data is transmitted without the flag being cleared (an address match is interpreted as a request for the next data).

<3> Communication direction flag

This flag indicates the direction of communication. Its value is the same as the TRC0 bit.

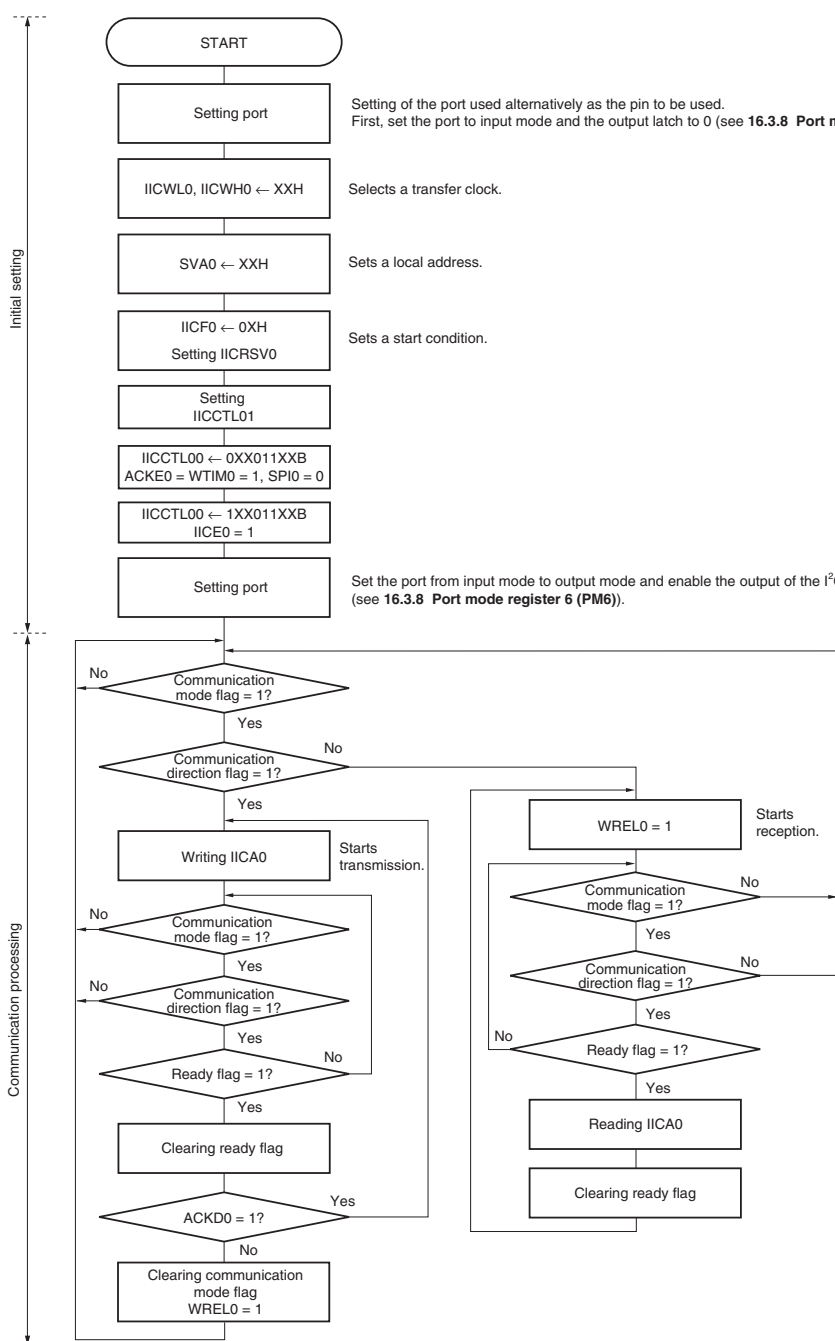
The main processing of the slave operation is explained next.

Start serial interface IICA and wait until communication is enabled. When communication is enabled, execute communication by using the communication mode flag and ready flag (processing of the stop condition and start condition is performed by an interrupt. Here, check the status by using the flags).

The transmission operation is repeated until the master no longer returns \overline{ACK} . If \overline{ACK} is not returned from the master, communication is completed.

For reception, the necessary amount of data is received. When communication is completed, \overline{ACK} is not returned as the next data. After that, the master generates a stop condition or restart condition. Exit from the communication status occurs in this way.

Figure 16-31. Slave Operation Flowchart (1)



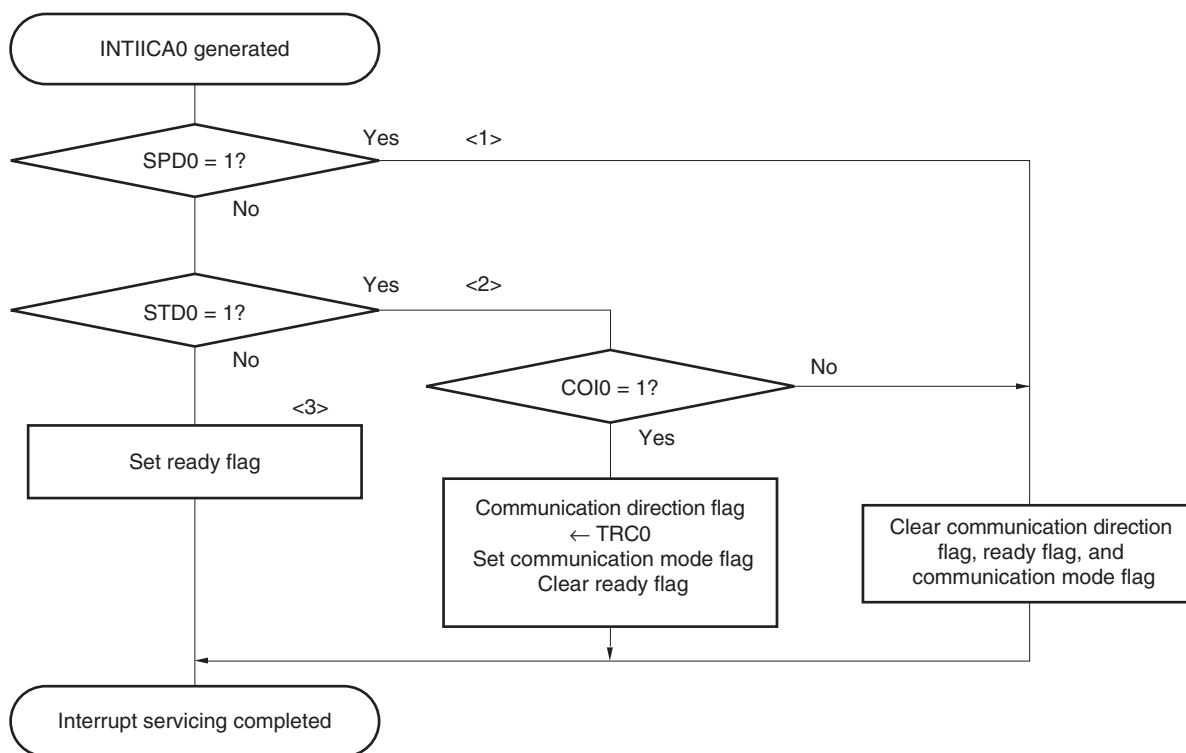
Remark Conform to the specifications of the product that is in communication, regarding the transmission and reception formats.

An example of the processing procedure of the slave with the INTIICA0 interrupt is explained below (processing is performed assuming that no extension code is used). The INTIICA0 interrupt checks the status, and the following operations are performed.

- <1> Communication is stopped if the stop condition is issued.
- <2> If the start condition is issued, the address is checked and communication is completed if the address does not match. If the address matches, the communication mode is set, wait is cancelled, and processing returns from the interrupt (the ready flag is cleared).
- <3> For data transmit/receive, only the ready flag is set. Processing returns from the interrupt with the I²C bus remaining in the wait state.

Remark <1> to <3> above correspond to <1> to <3> in Figure 16-31 Slave Operation Flowchart (2).

Figure 16-31. Slave Operation Flowchart (2)



16.5.17 Timing of I²C interrupt request (INTIICA0) occurrence

The timing of transmitting or receiving data and generation of interrupt request signal INTIICA0, and the value of the IICA status register 0 (IICS0) when the INTIICA0 signal is generated are shown below.

- Remark**
- ST: Start condition
 - AD6 to AD0: Address
 - R/W: Transfer direction specification
 - ACK: Acknowledge
 - D7 to D0: Data
 - SP: Stop condition

(1) Master device operation

(a) Start ~ Address ~ Data ~ Data ~ Stop (transmission/reception)

(i) When WTIM0 = 0

ST	AD6 to AD0	R/W	ACK	D7 to D0	ACK	D7 to D0	ACK	SP
			▲1		▲2		▲3	▲4 Δ5

SPT0 = 1
↓

▲1: IICS0 = 1000x110B
 ▲2: IICS0 = 1000x000B
 ▲3: IICS0 = 1000x000B (Sets the WTIM0 bit to 1)^{Note}
 ▲4: IICS0 = 1000xx00B (Sets the SPT0 bit to 1)^{Note}
 Δ5: IICS0 = 00000001B

Note To generate a stop condition, set the WTIM0 bit to 1 and change the timing for generating the INTIICA0 interrupt request signal.

Remark ▲: Always generated
 Δ: Generated only when SPIE0 = 1
 x: Don't care

(ii) When WTIM0 = 1

ST	AD6 to AD0	R/W	ACK	D7 to D0	ACK	D7 to D0	ACK	SP
			▲1		▲2		▲3	Δ4

SPT0 = 1
↓

▲1: IICS0 = 1000x110B
 ▲2: IICS0 = 1000x100B
 ▲3: IICS0 = 1000xx00B (Sets the SPT0 bit to 1)
 Δ4: IICS0 = 00000001B

Remark ▲: Always generated
 Δ: Generated only when SPIE0 = 1
 x: Don't care

(b) Start ~ Address ~ Data ~ Start ~ Address ~ Data ~ Stop (restart)

(i) When WTIM0 = 0

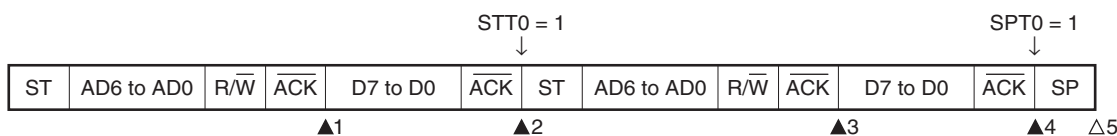


- ▲1: IICS0 = 1000x110B
- ▲2: IICS0 = 1000x000B (Sets the WTIM0 bit to 1)^{Note 1}
- ▲3: IICS0 = 1000xx00B (Clears the WTIM0 bit to 0^{Note 2}, sets the STT0 bit to 1)
- ▲4: IICS0 = 1000x110B
- ▲5: IICS0 = 1000x000B (Sets the WTIM0 bit to 1)^{Note 3}
- ▲6: IICS0 = 1000xx00B (Sets the SPT0 bit to 1)
- Δ7: IICS0 = 00000001B

- Notes 1.** To generate a start condition, set the WTIM0 bit to 1 and change the timing for generating the INTIICA0 interrupt request signal.
- 2.** Clear the WTIM0 bit to 0 to restore the original setting.
- 3.** To generate a stop condition, set the WTIM0 bit to 1 and change the timing for generating the INTIICA0 interrupt request signal.

Remark ▲: Always generated
 Δ: Generated only when SPIE0 = 1
 x: Don't care

(ii) When WTIM0 = 1



- ▲1: IICS0 = 1000x110B
- ▲2: IICS0 = 1000xx00B (Sets the STT0 bit to 1)
- ▲3: IICS0 = 1000x110B
- ▲4: IICS0 = 1000xx00B (Sets the SPT0 bit to 1)
- Δ5: IICS0 = 00000001B

Remark ▲: Always generated
 Δ: Generated only when SPIE0 = 1
 x: Don't care

(c) Start ~ Code ~ Data ~ Data ~ Stop (extension code transmission)

(i) When WTIM0 = 0

SPT0 = 1
↓

ST	AD6 to AD0	R/W	ACK	D7 to D0	ACK	D7 to D0	ACK	SP
			▲1		▲2		▲3	▲4
								△5

▲1: IICS0 = 1010x110B
 ▲2: IICS0 = 1010x000B
 ▲3: IICS0 = 1010x000B (Sets the WTIM0 bit to 1)^{Note}
 ▲4: IICS0 = 1010xx00B (Sets the SPT0 bit to 1)
 △5: IICS0 = 00000001B

Note To generate a stop condition, set the WTIM0 bit to 1 and change the timing for generating the INTIICA0 interrupt request signal.

Remark ▲: Always generated
 △: Generated only when SPIE0 = 1
 x: Don't care

(ii) When WTIM0 = 1

SPT0 = 1
↓

ST	AD6 to AD0	R/W	ACK	D7 to D0	ACK	D7 to D0	ACK	SP
			▲1		▲2		▲3	△4

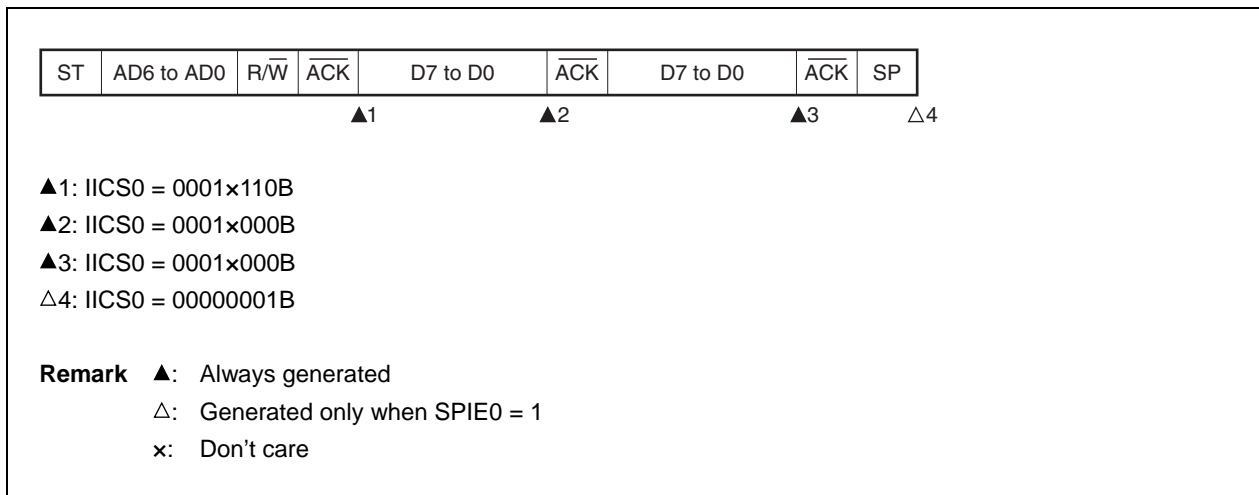
▲1: IICS0 = 1010x110B
 ▲2: IICS0 = 1010x100B
 ▲3: IICS0 = 1010xx00B (Sets the SPT0 bit to 1)
 △4: IICS0 = 00001001B

Remark ▲: Always generated
 △: Generated only when SPIE0 = 1
 x: Don't care

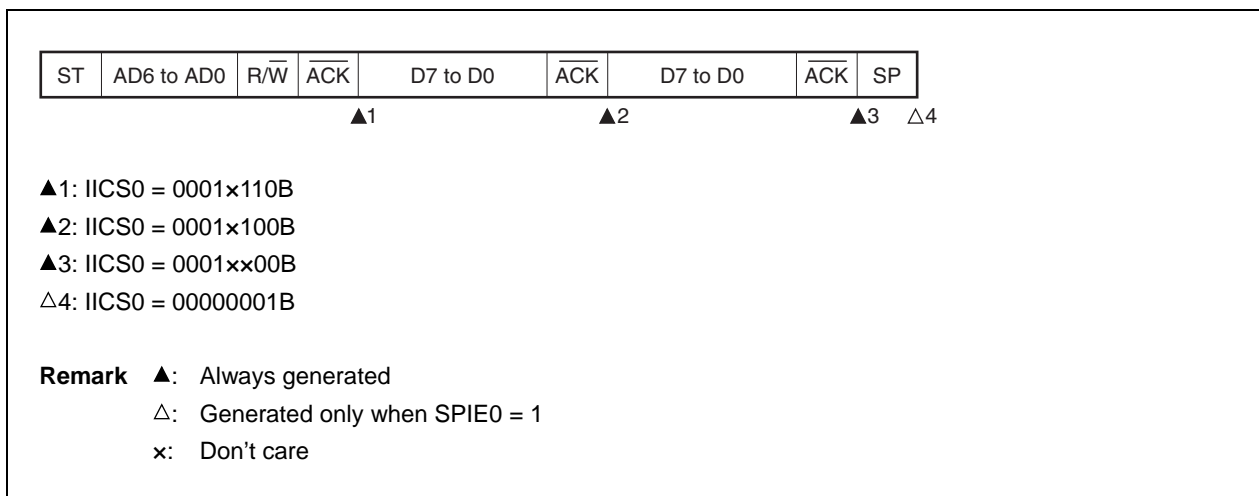
(2) Slave device operation (slave address data reception)

(a) Start ~ Address ~ Data ~ Data ~ Stop

(i) When WTIM0 = 0

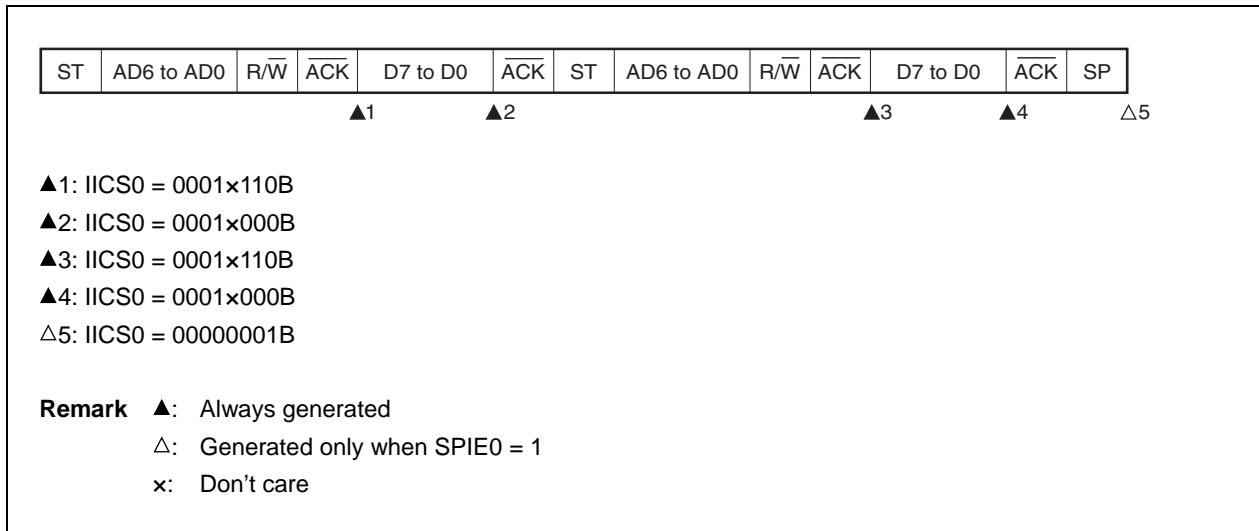


(ii) When WTIM0 = 1

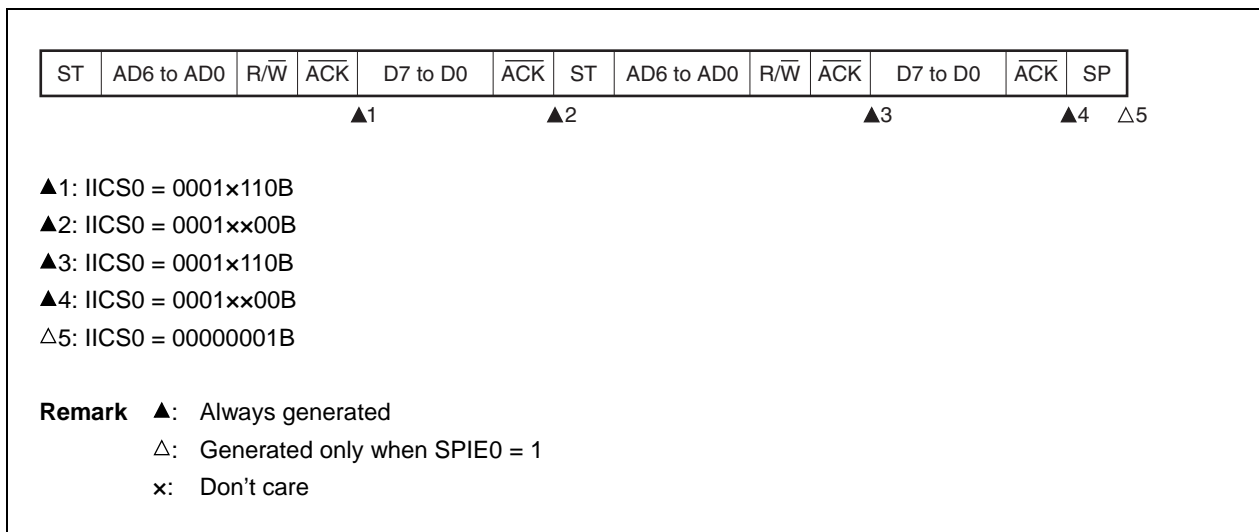


(b) Start ~ Address ~ Data ~ Start ~ Address ~ Data ~ Stop

(i) When WTIM0 = 0 (after restart, matches with SVA0)

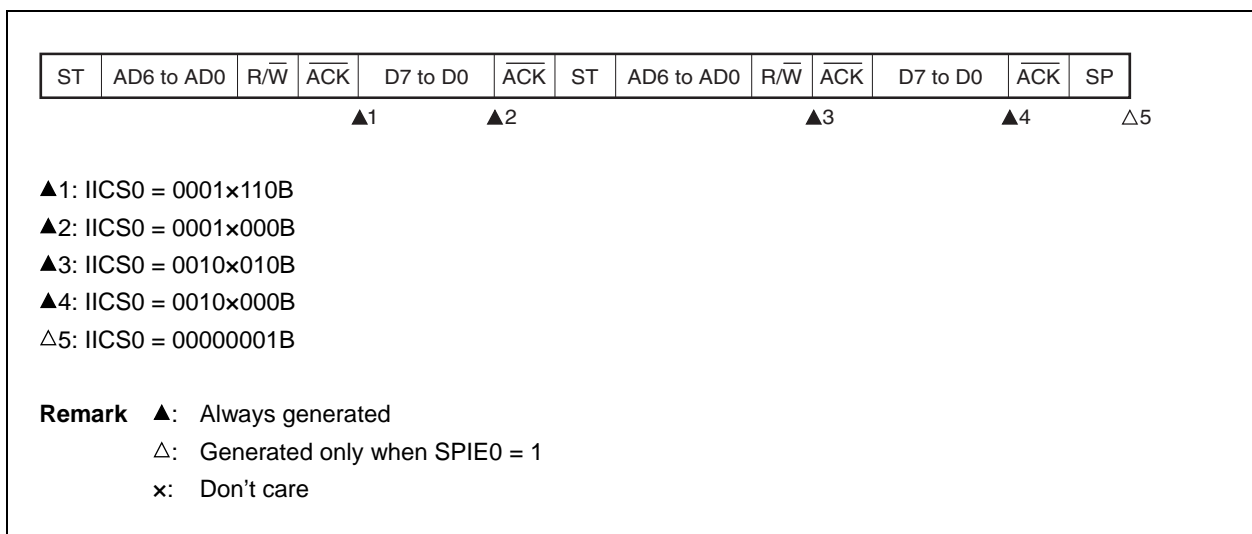


(ii) When WTIM0 = 1 (after restart, matches with SVA0)

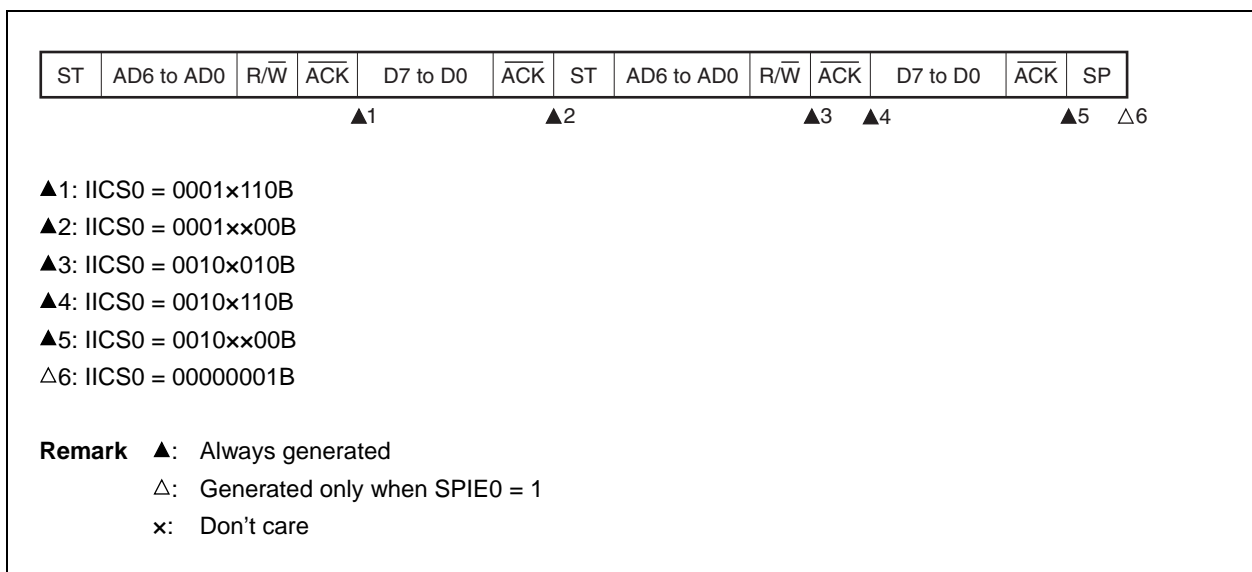


(c) Start ~ Address ~ Data ~ Start ~ Code ~ Data ~ Stop

(i) When WTIM0 = 0 (after restart, does not match address (= extension code))

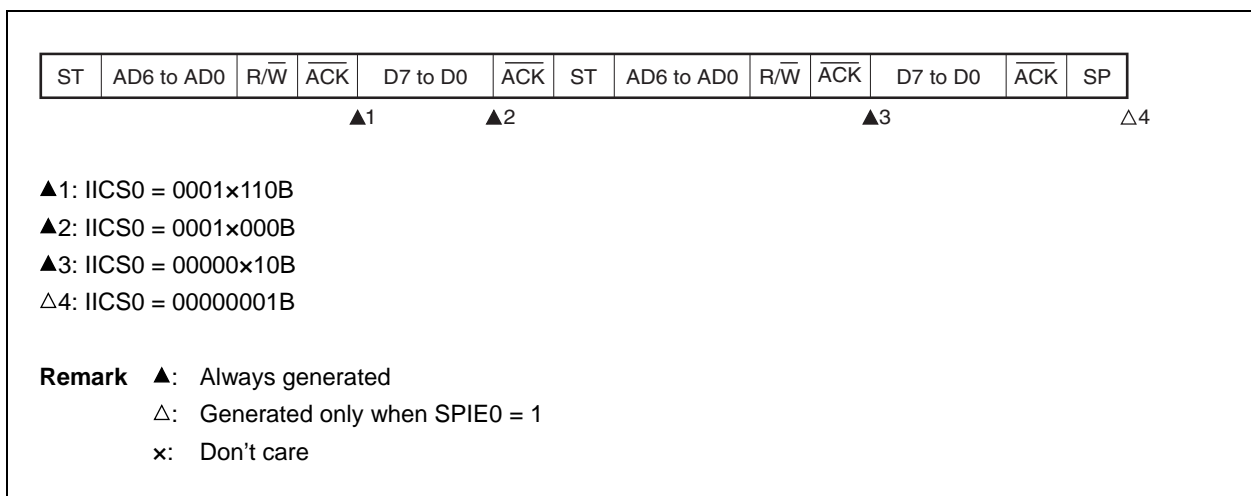


(ii) When WTIM0 = 1 (after restart, does not match address (= extension code))

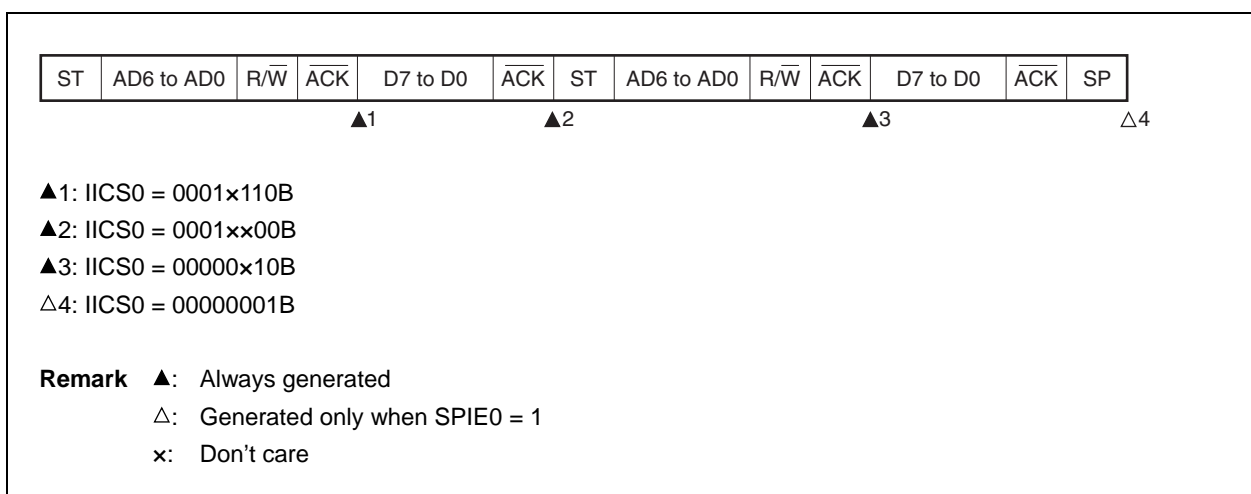


(d) Start ~ Address ~ Data ~ Start ~ Address ~ Data ~ Stop

(i) When WTIM0 = 0 (after restart, does not match address (= not extension code))



(ii) When WTIM0 = 1 (after restart, does not match address (= not extension code))

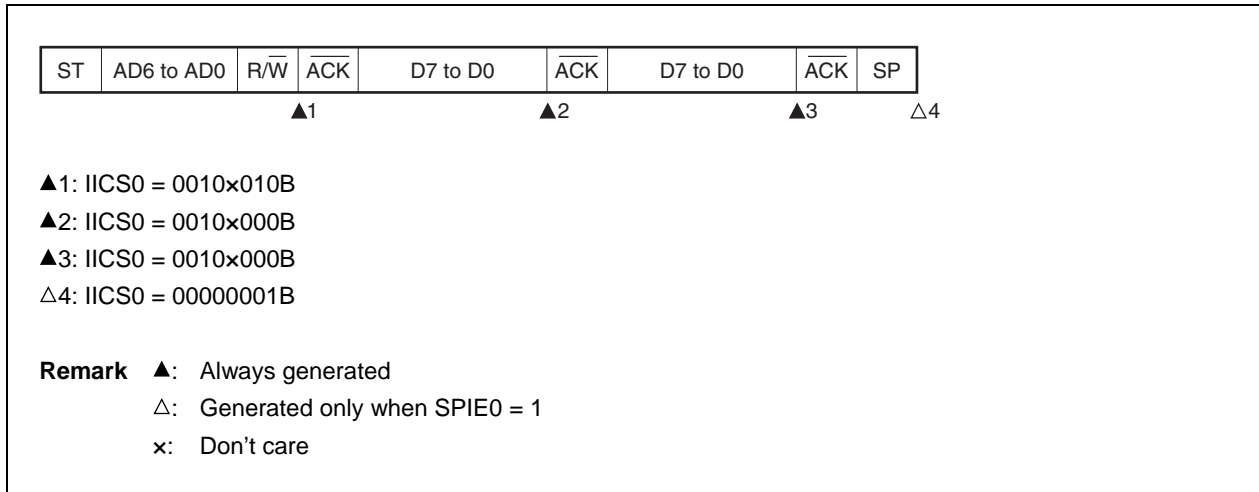


(3) Slave device operation (when receiving extension code)

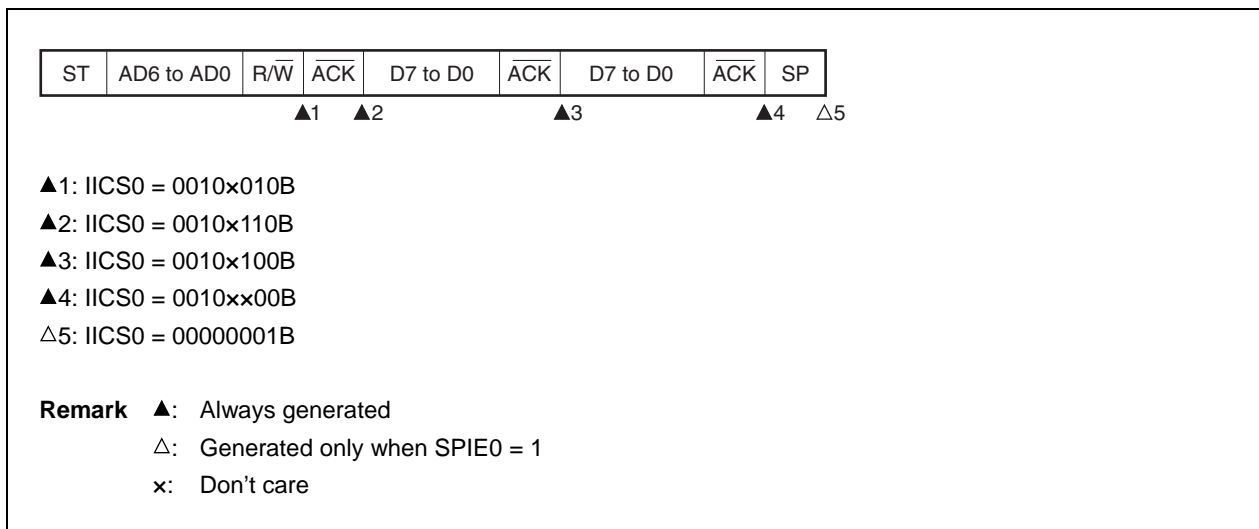
The device is always participating in communication when it receives an extension code.

(a) Start ~ Code ~ Data ~ Data ~ Stop

(i) When WTIM0 = 0

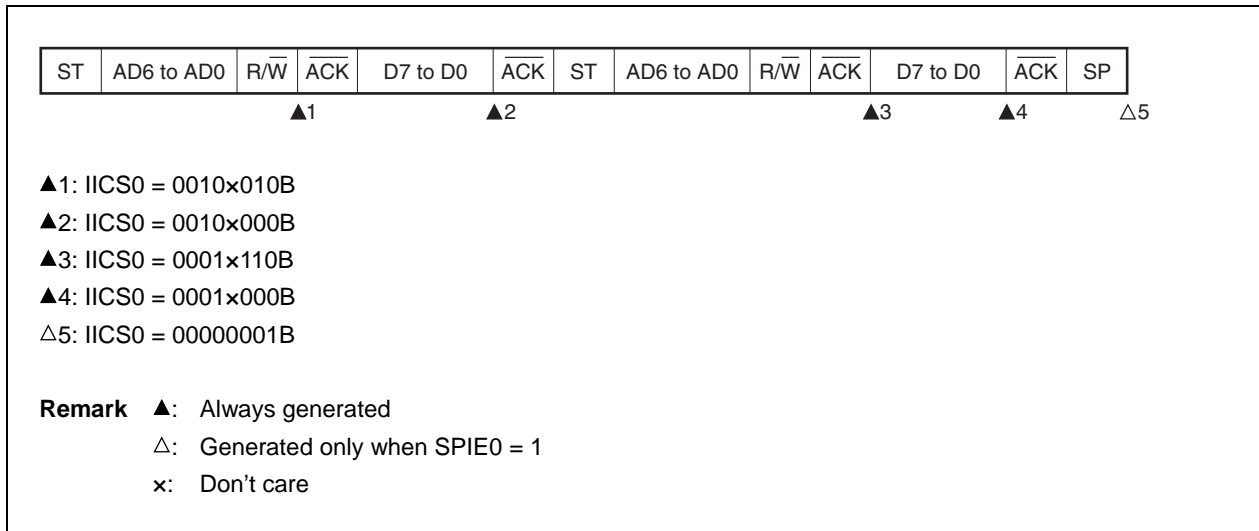


(ii) When WTIM0 = 1

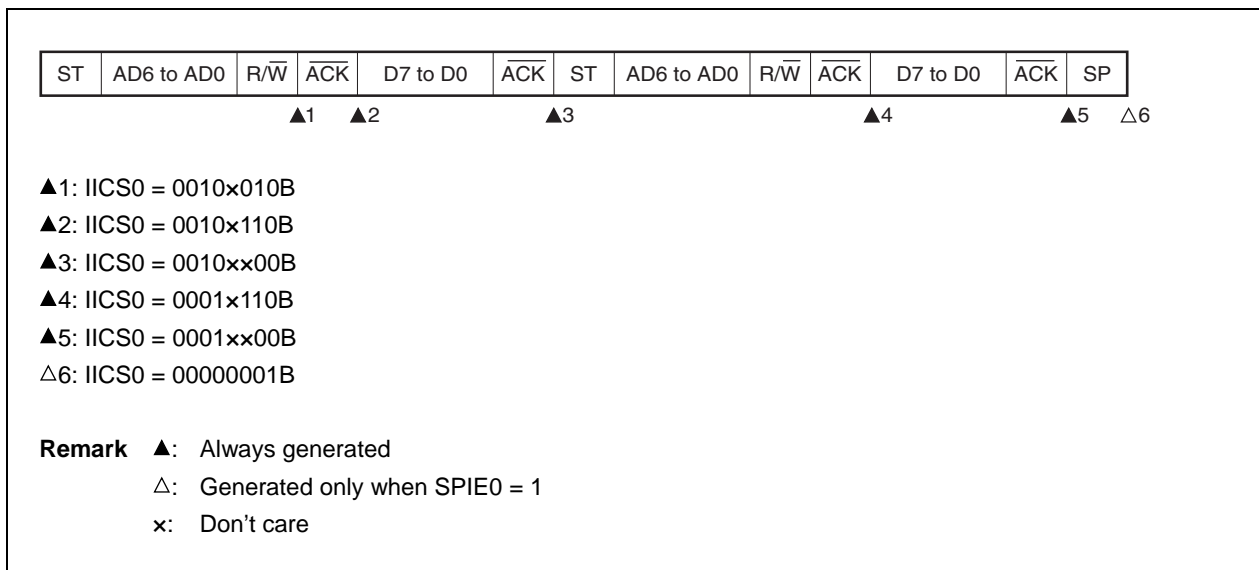


(b) Start ~ Code ~ Data ~ Start ~ Address ~ Data ~ Stop

(i) When WTIM0 = 0 (after restart, matches SVA0)

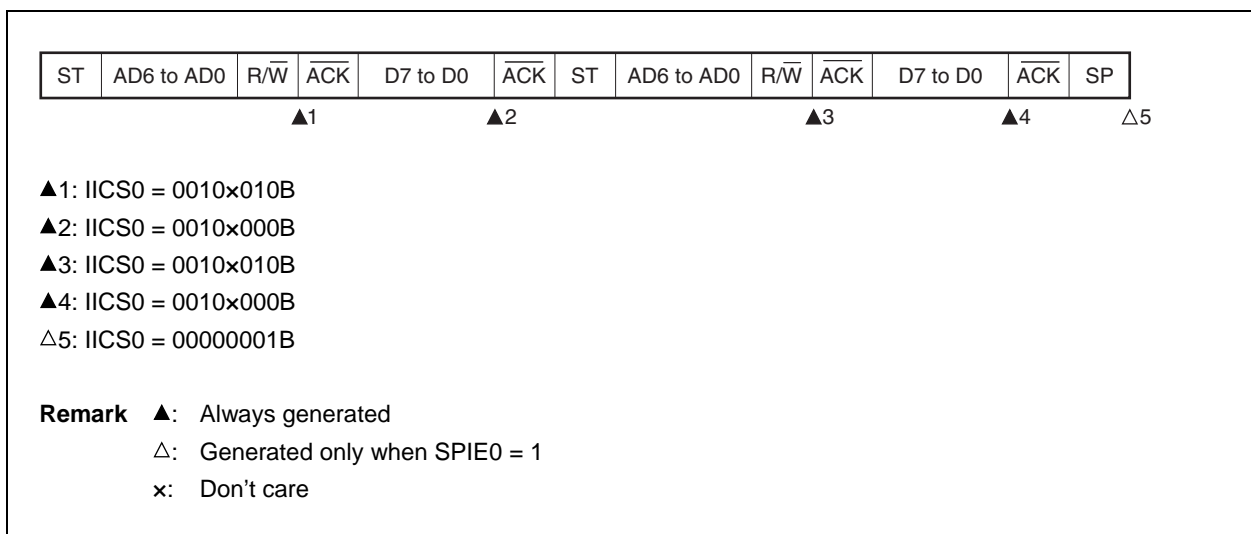


(ii) When WTIM0 = 1 (after restart, matches SVA0)

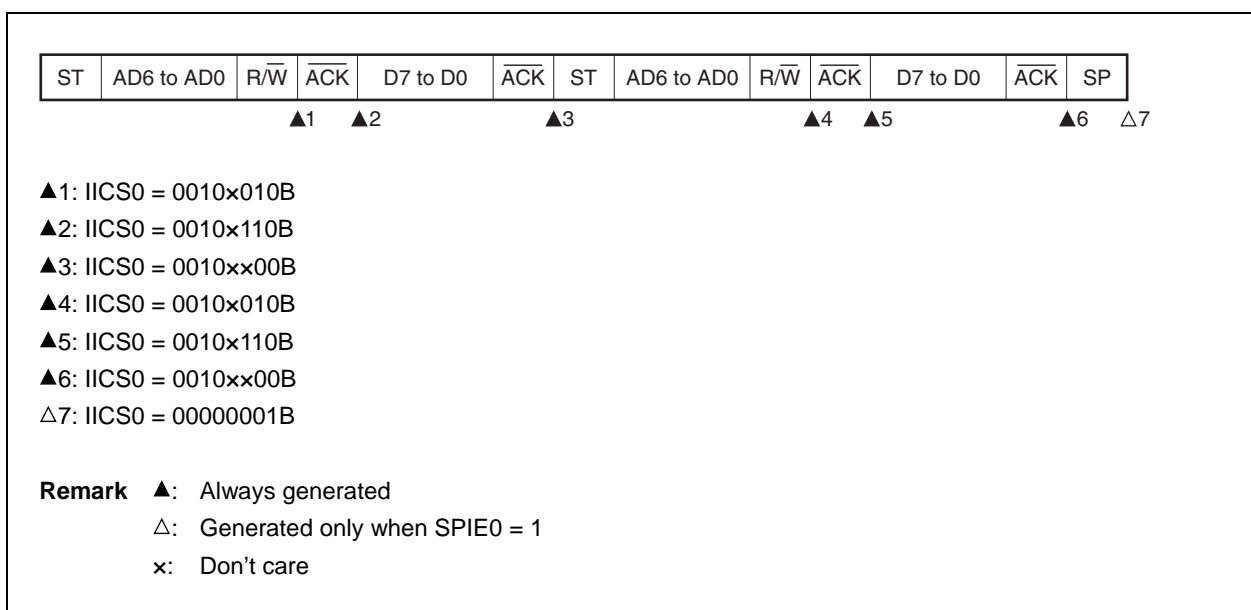


(c) Start ~ Code ~ Data ~ Start ~ Code ~ Data ~ Stop

(i) When WTIM0 = 0 (after restart, extension code reception)

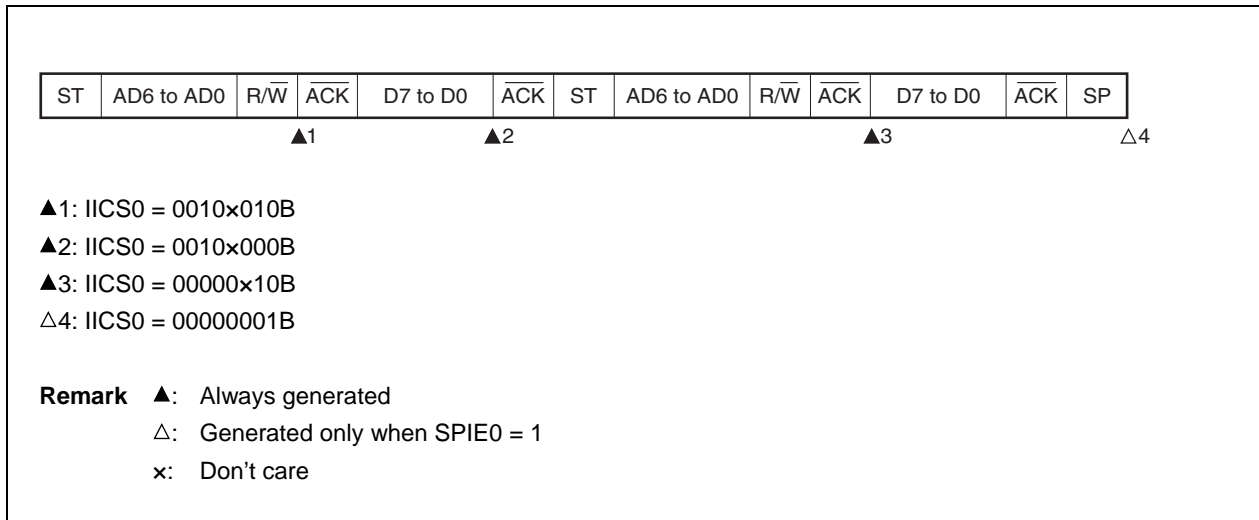


(ii) When WTIM0 = 1 (after restart, extension code reception)

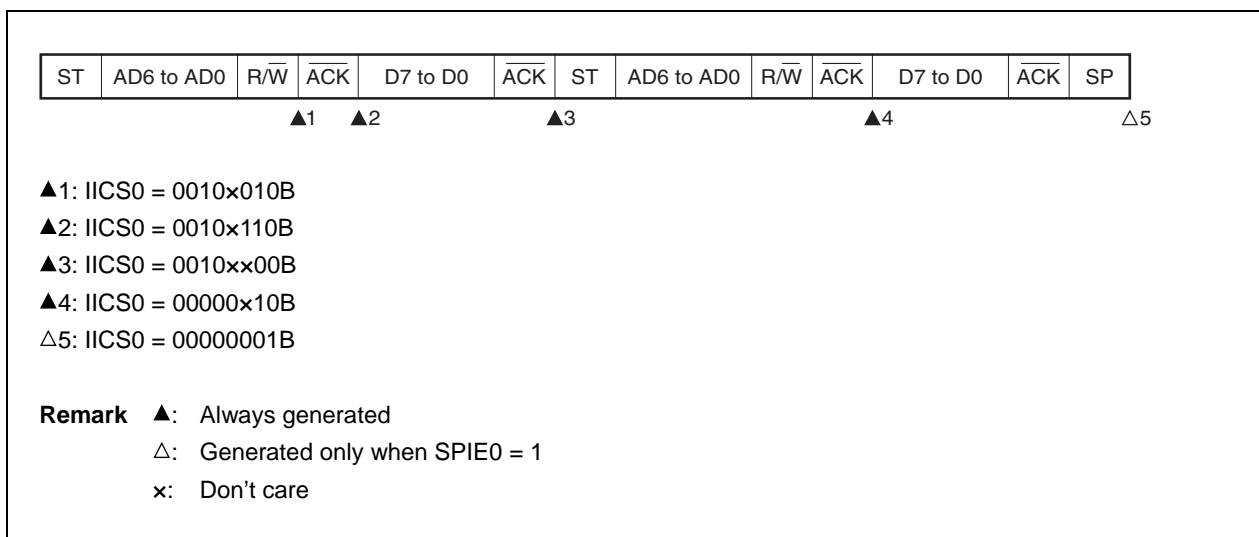


(d) Start ~ Code ~ Data ~ Start ~ Address ~ Data ~ Stop

(i) When WTIM0 = 0 (after restart, does not match address (= not extension code))

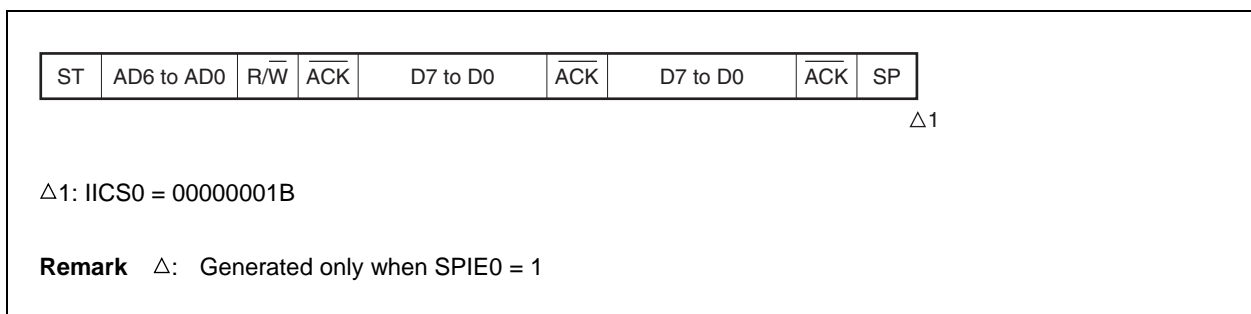


(ii) When WTIM0 = 1 (after restart, does not match address (= not extension code))



(4) Operation without communication

(a) Start ~ Code ~ Data ~ Data ~ Stop

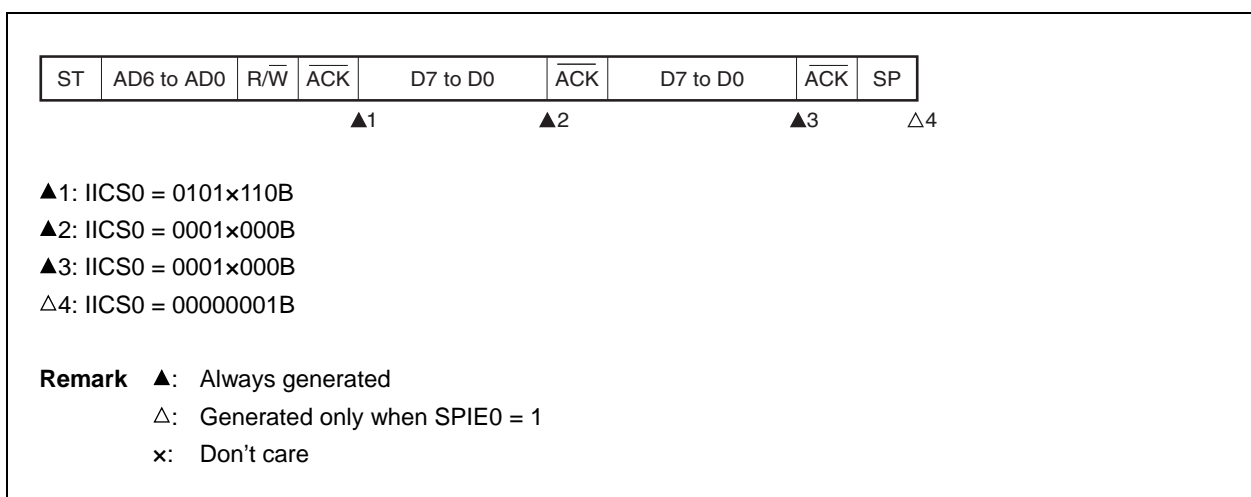


(5) Arbitration loss operation (operation as slave after arbitration loss)

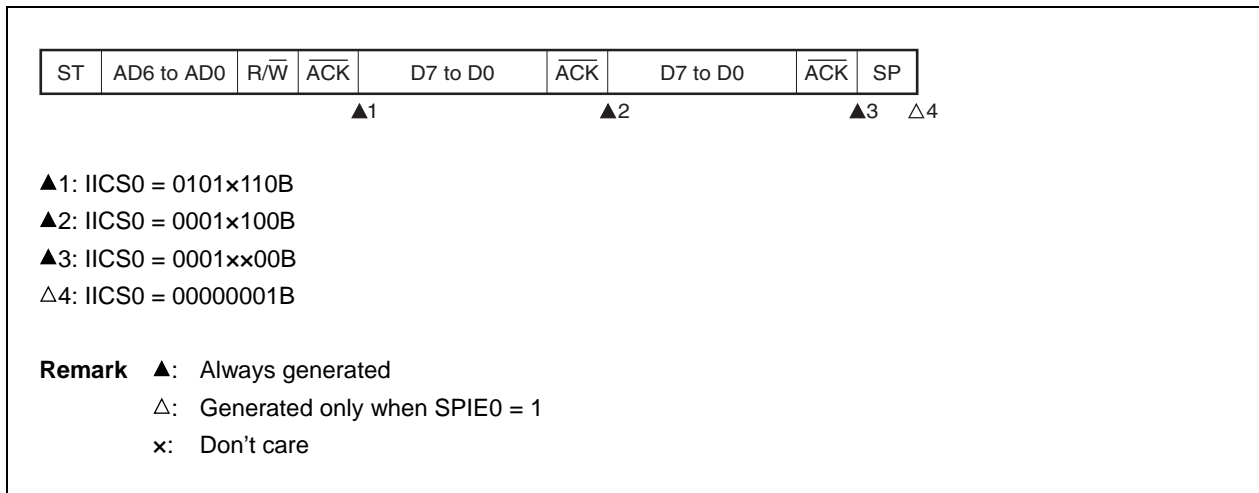
When the device is used as a master in a multi-master system, read the MSTS0 bit each time interrupt request signal INTIICA0 has occurred to check the arbitration result.

(a) When arbitration loss occurs during transmission of slave address data

(i) When WTIM0 = 0

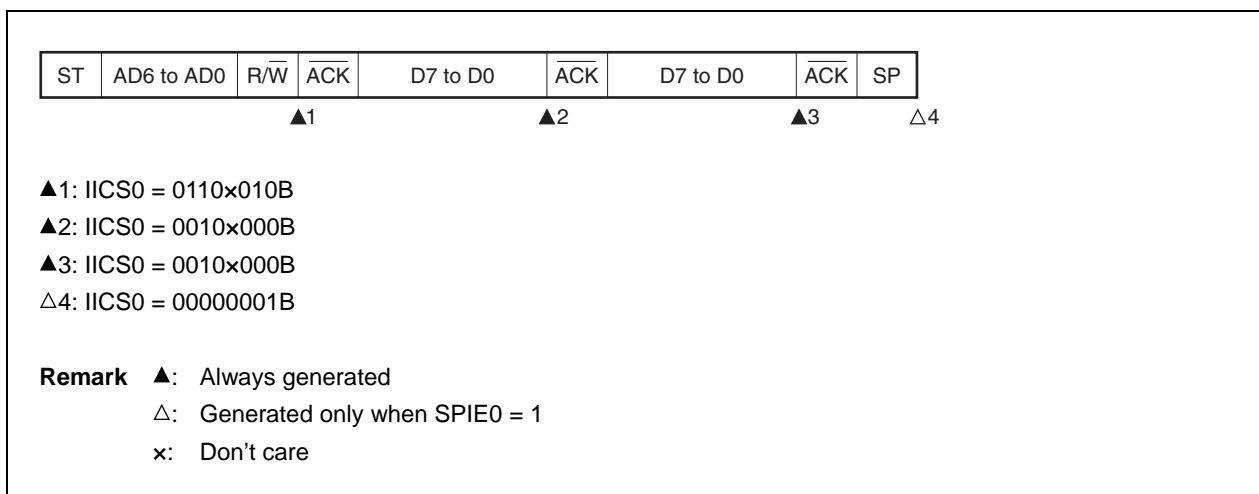


(ii) When **WTIM0 = 1**

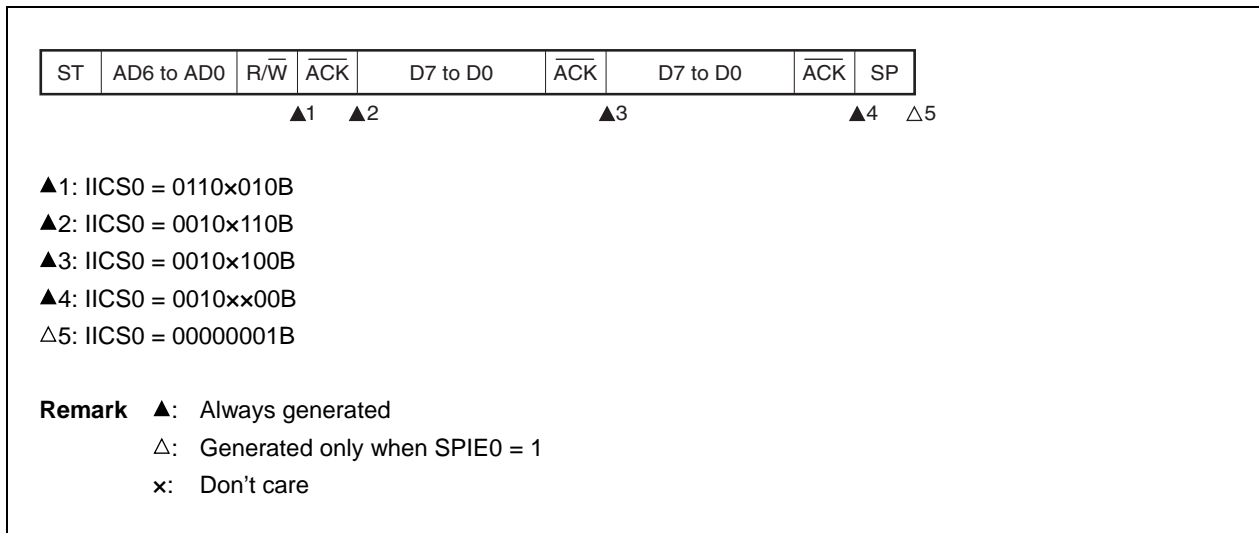


(b) When arbitration loss occurs during transmission of extension code

(i) When **WTIM0 = 0**



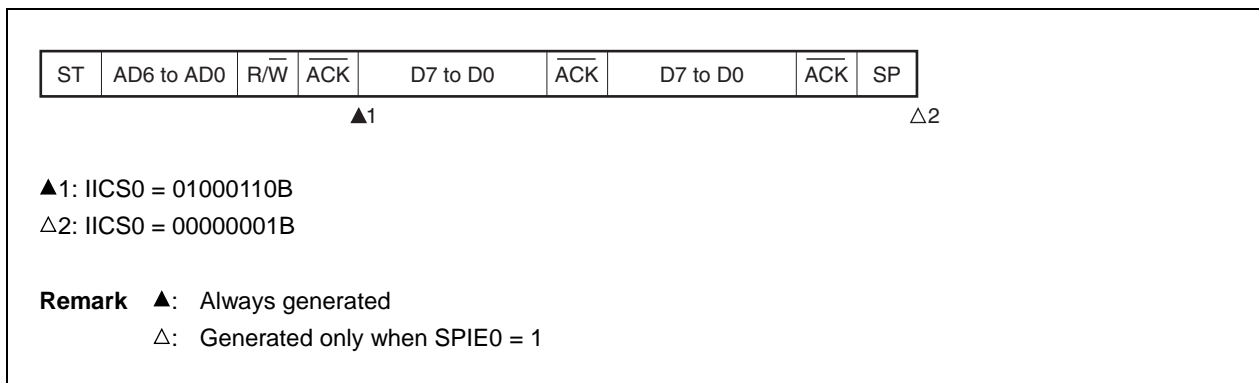
(ii) When WTIM0 = 1



(6) Operation when arbitration loss occurs (no communication after arbitration loss)

When the device is used as a master in a multi-master system, read the MSTS0 bit each time interrupt request signal INTIICA0 has occurred to check the arbitration result.

(a) When arbitration loss occurs during transmission of slave address data (when WTIM0 = 1)



(b) When arbitration loss occurs during transmission of extension code

ST	AD6 to AD0	R \bar{W}	\bar{ACK}	D7 to D0	\bar{ACK}	D7 to D0	\bar{ACK}	SP
			▲1				△2	

▲1: IICS0 = 0110x010B
Sets LREL0 = 1 by software

△2: IICS0 = 00000001B

Remark ▲: Always generated
 △: Generated only when SPIE0 = 1
 x: Don't care

(c) When arbitration loss occurs during transmission of data

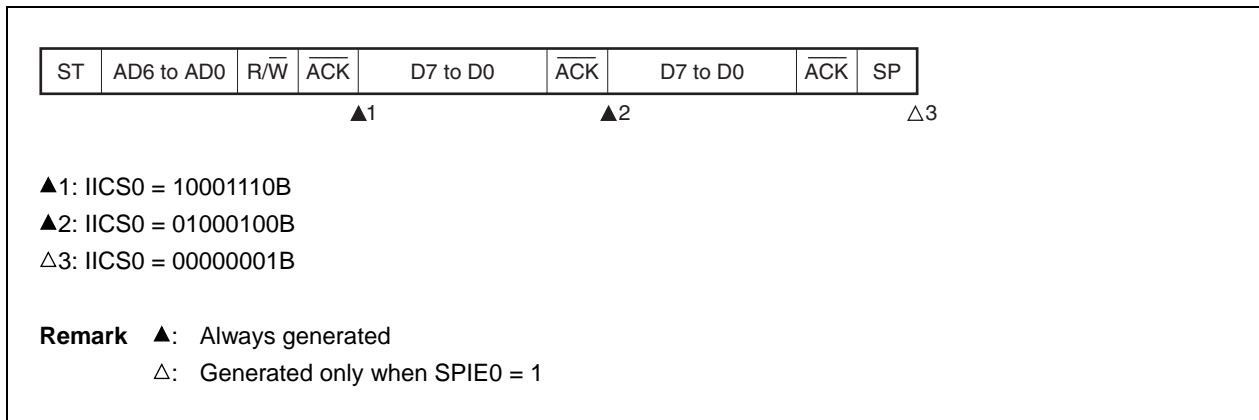
(i) When WTIM0 = 0

ST	AD6 to AD0	R \bar{W}	\bar{ACK}	D7 to D0	\bar{ACK}	D7 to D0	\bar{ACK}	SP
			▲1		▲2			△3

▲1: IICS0 = 10001110B
 ▲2: IICS0 = 01000000B
 △3: IICS0 = 00000001B

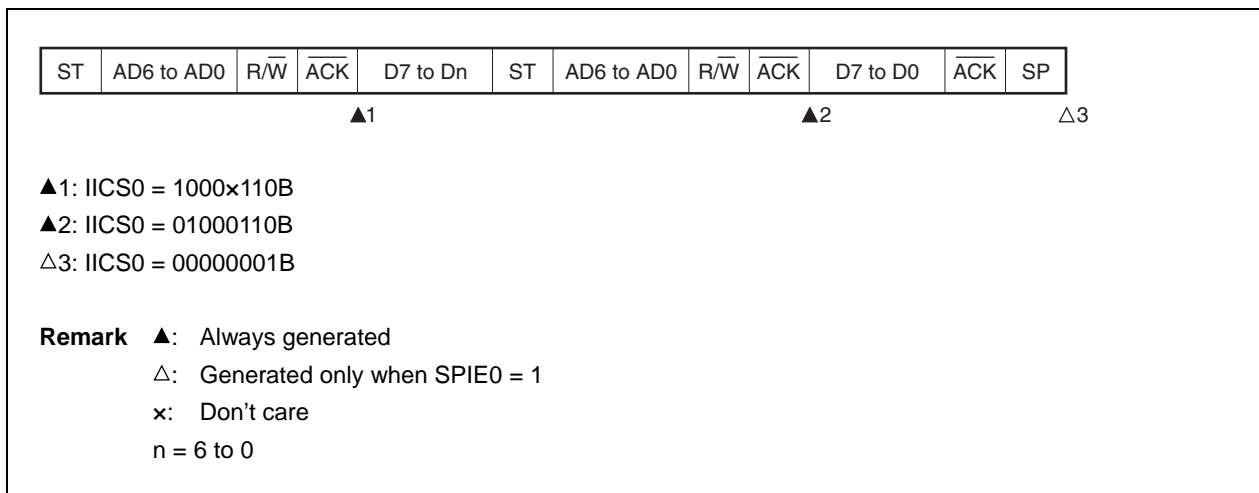
Remark ▲: Always generated
 △: Generated only when SPIE0 = 1

(ii) When WTIM0 = 1



(d) When loss occurs due to restart condition during data transfer

(i) Not extension code (Example: unmatched with SVA0)



(ii) Extension code

ST	AD6 to AD0	R/W	ACK	D7 to Dn	ST	AD6 to AD0	R/W	ACK	D7 to D0	ACK	SP
			▲1				▲2			△3	

▲1: IICS0 = 1000x110B
 ▲2: IICS0 = 01100010B
 Sets LREL0 = 1 by software
 △3: IICS0 = 00000001B

Remark ▲: Always generated
 △: Generated only when SPIE0 = 1
 x: Don't care
 n = 6 to 0

(e) When loss occurs due to stop condition during data transfer

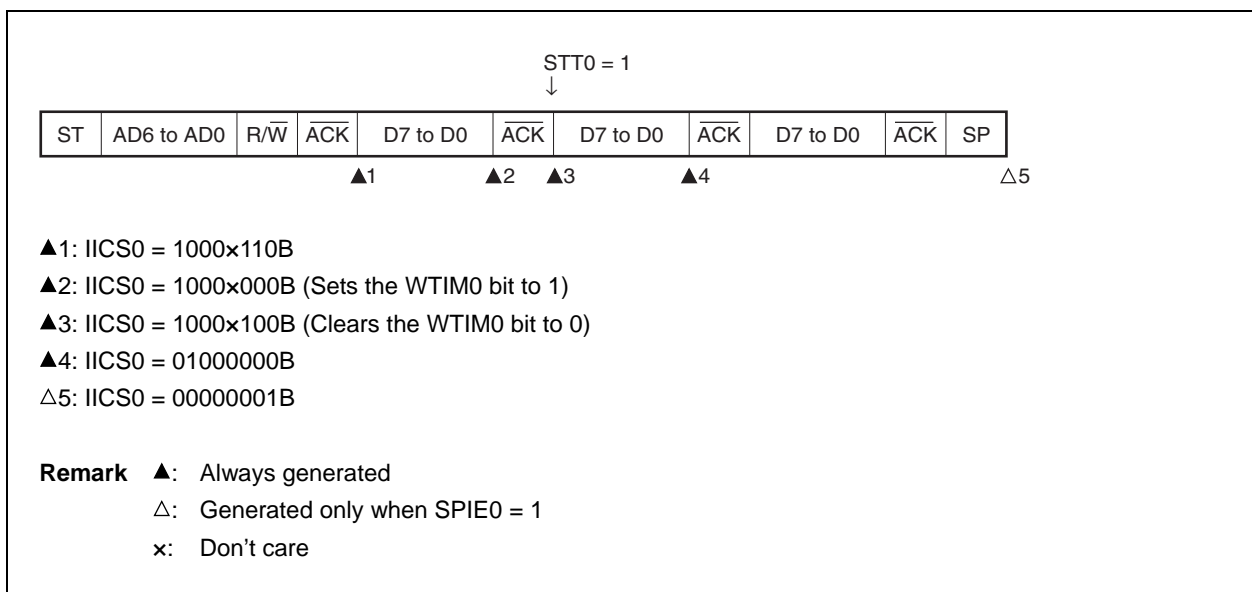
ST	AD6 to AD0	R/W	ACK	D7 to Dn	SP
			▲1		△2

▲1: IICS0 = 10000110B
 ▲2: IICS0 = 01000001B

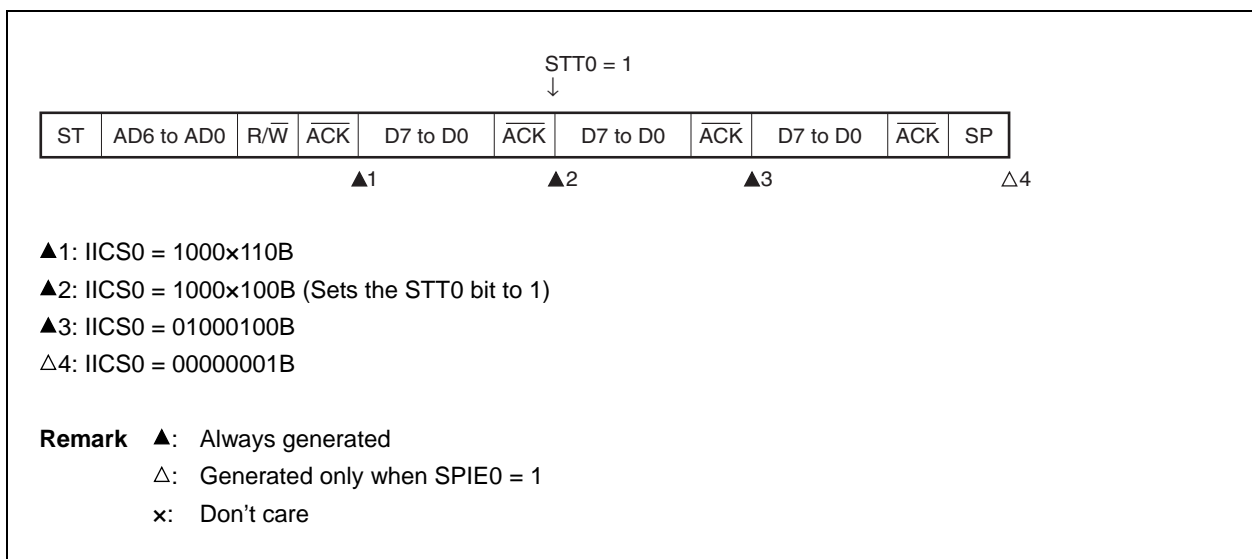
Remark ▲: Always generated
 △: Generated only when SPIE0 = 1
 x: Don't care
 n = 6 to 0

(f) When arbitration loss occurs due to low-level data when attempting to generate a restart condition

(i) When $WTIM0 = 0$

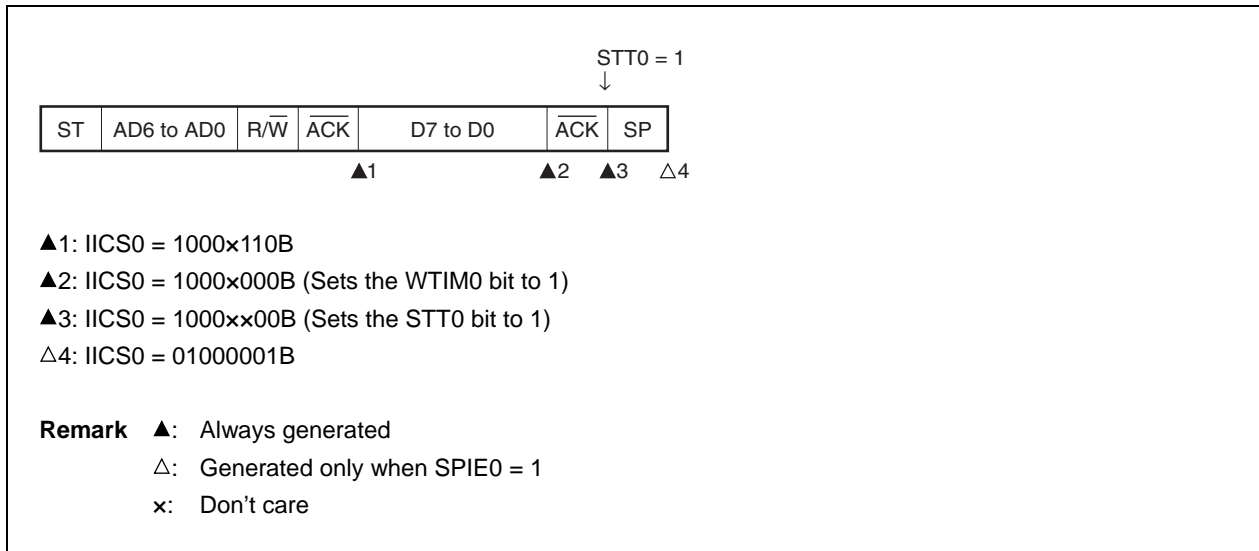


(ii) When $WTIM0 = 1$

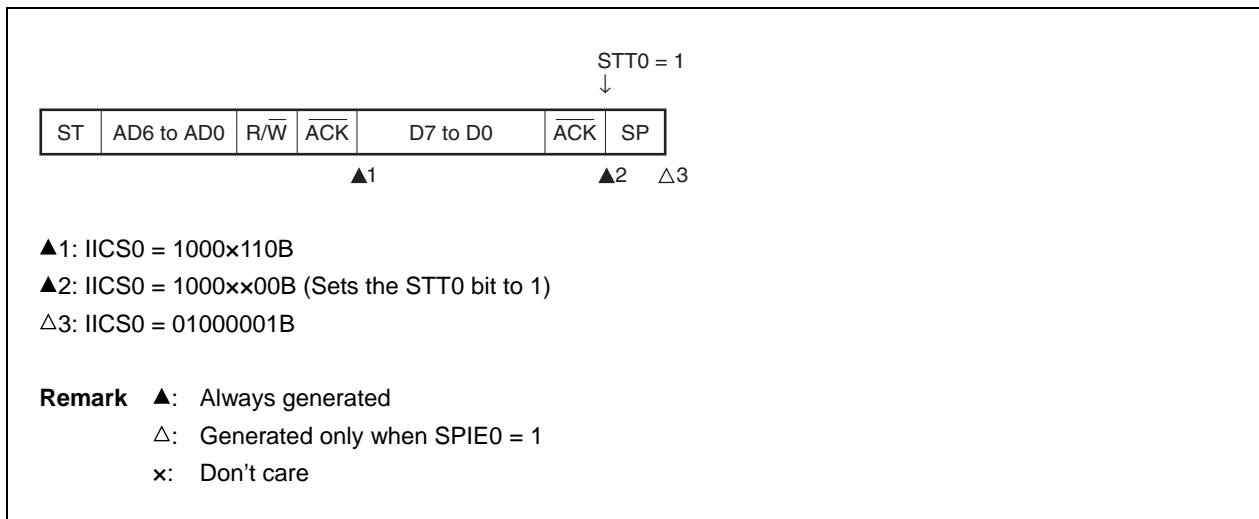


(g) When arbitration loss occurs due to a stop condition when attempting to generate a restart condition

(i) When **WTIM0 = 0**

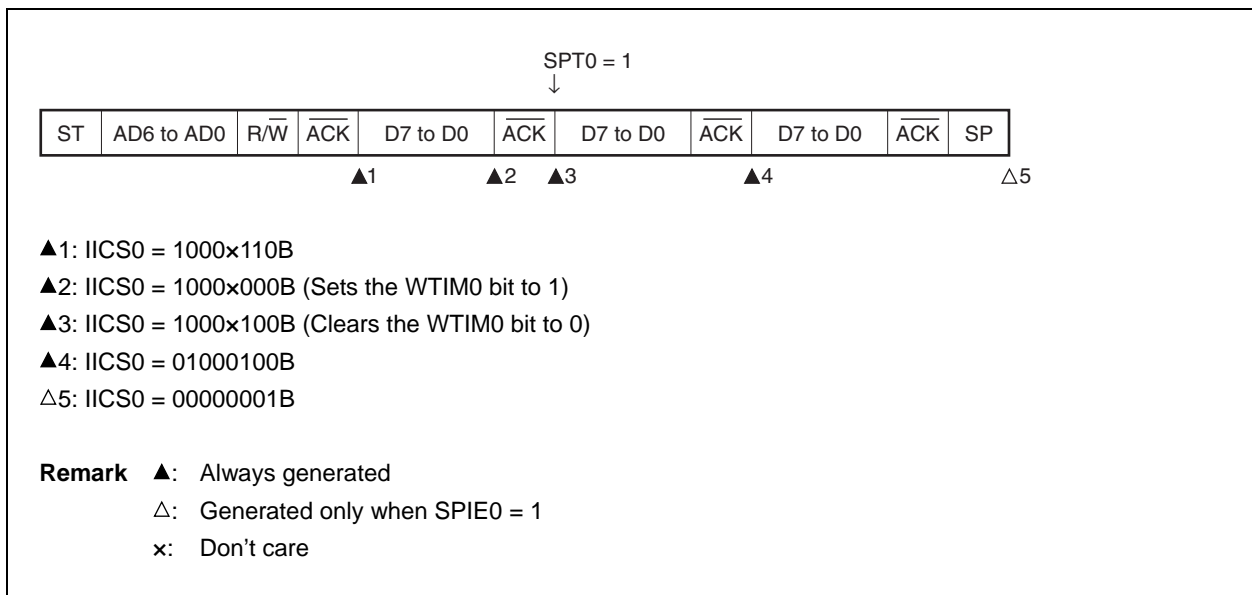


(ii) When **WTIM0 = 1**

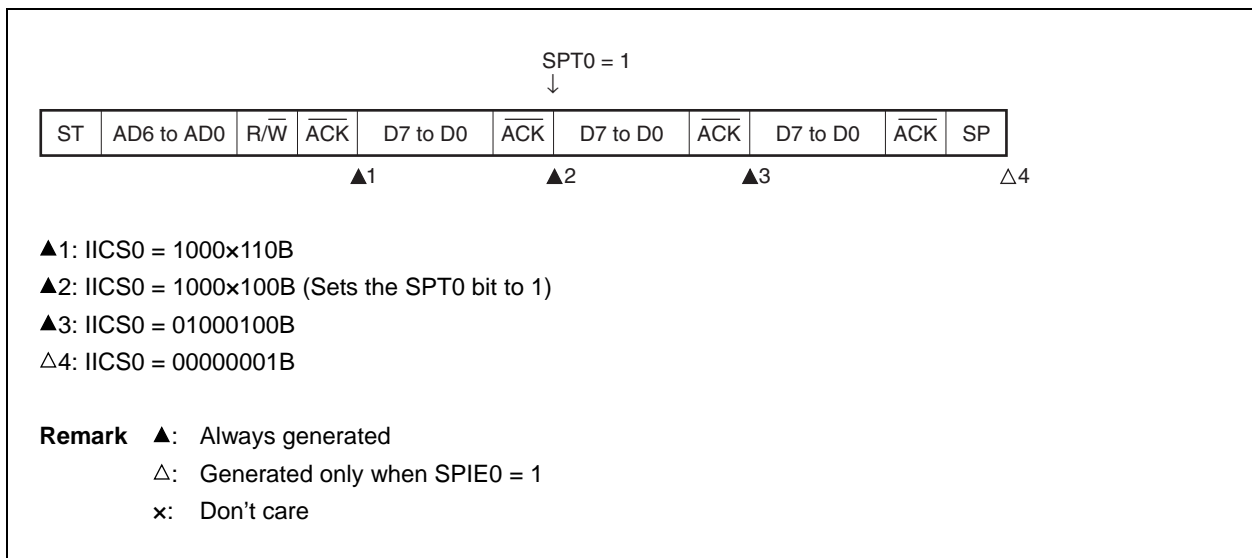


(h) When arbitration loss occurs due to low-level data when attempting to generate a stop condition

(i) When **WTIM0 = 0**



(ii) When **WTIM0 = 1**



16.6 Timing Charts

When using the I²C bus mode, the master device outputs an address via the serial bus to select one of several slave devices as its communication partner.

After outputting the slave address, the master device transmits the TRC0 bit (bit 3 of the IICA status register 0 (IICS0)), which specifies the data transfer direction, and then starts serial communication with the slave device.

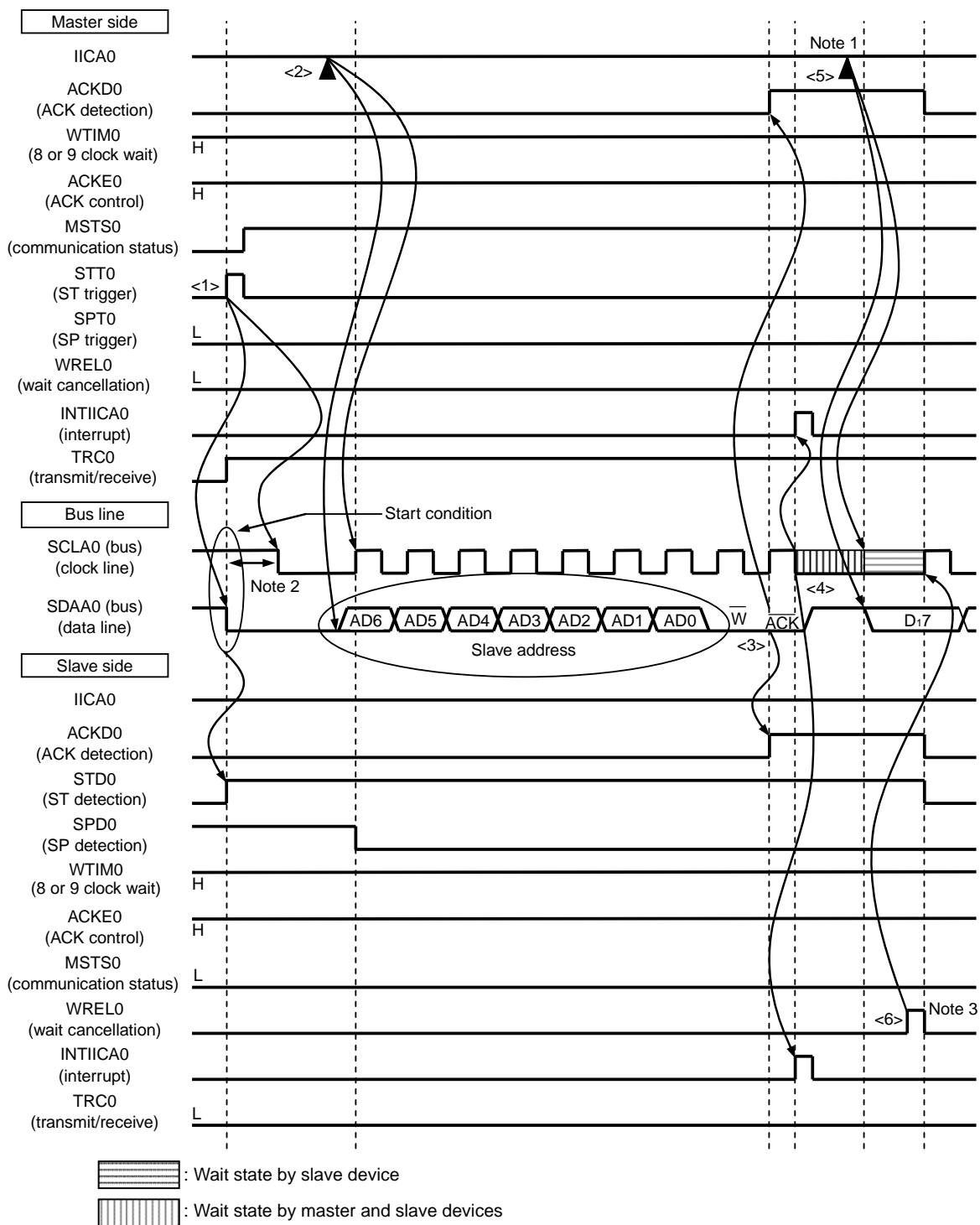
Figures 16-32 and 16-33 show timing charts of the data communication.

The IICA shift register 0 (IICA0)'s shift operation is synchronized with the falling edge of the serial clock (SCLA0). The transmit data is transferred to the SO latch and is output (MSB first) via the SDAA0 pin.

Data input via the SDAA0 pin is captured into IICA0 at the rising edge of SCLA0.

Figure 16-32. Example of Master to Slave Communication
(When 9-Clock Wait Is Selected for Master, 9-Clock Wait Is Selected for Slave) (1/4)

(1) Start condition ~ address ~ data



- Notes**
1. Write data to IICA0, not setting the WRELO bit, in order to cancel a wait state during transmission by a master device.
 2. Make sure that the time between the fall of the SDAA0 pin signal and the fall of the SCLA0 pin signal is at least 4.0 μ s when specifying standard mode and at least 0.6 μ s when specifying fast mode.
 3. For releasing wait state during reception of a slave device, write "FFH" to IICA0 or set the WRELO bit.

The meanings of <1> to <6> in (1) Start condition ~ address ~ data in Figure 16-32 are explained below.

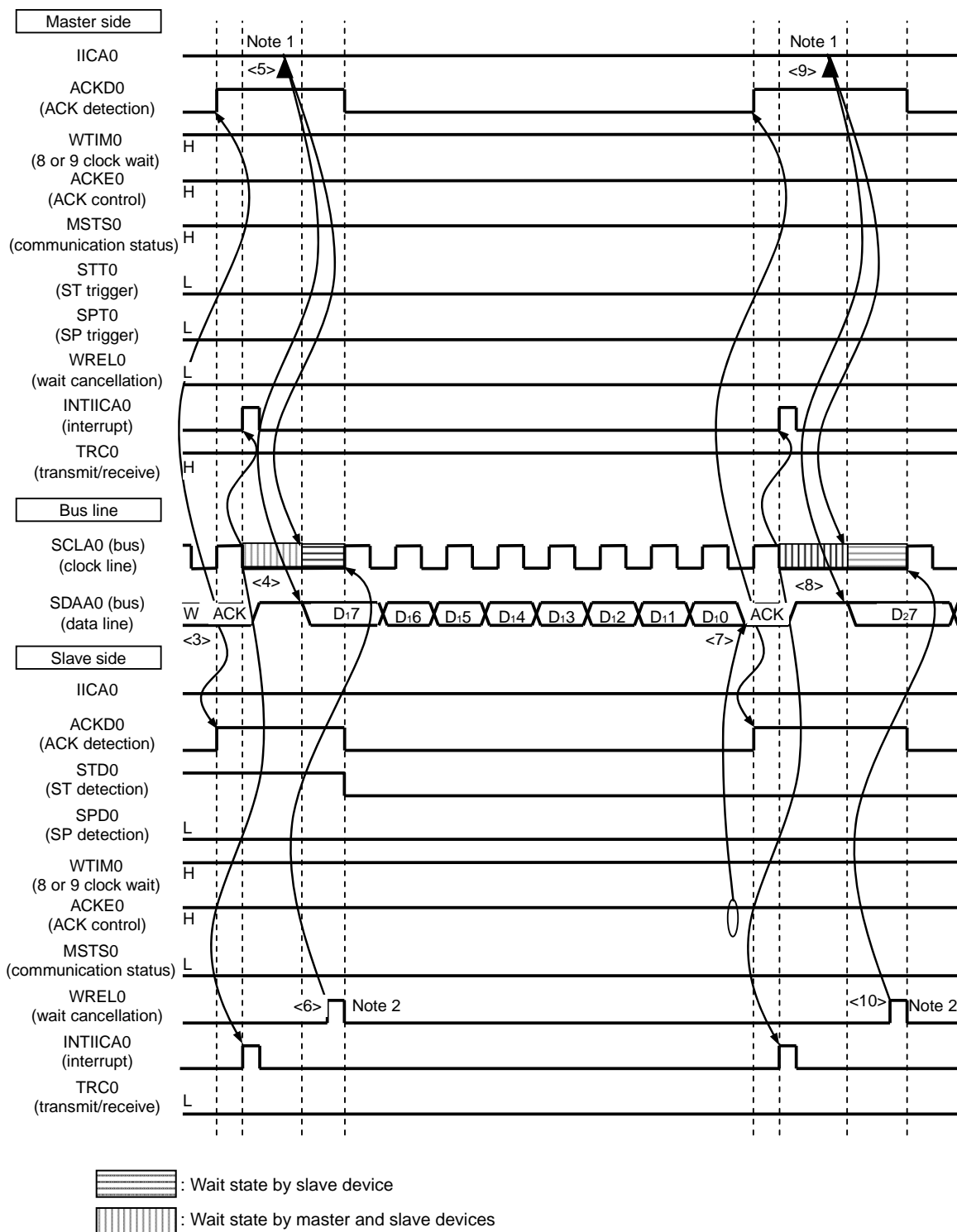
- <1> The start condition trigger is set by the master device (STT0 = 1) and a start condition (i.e. SCLA0 = 1 changes SDAA0 from 1 to 0) is generated once the bus data line goes low (SDAA0). When the start condition is subsequently detected, the master device enters the master device communication status (MSTS0 = 1). The master device is ready to communicate once the bus clock line goes low (SCLA0 = 0) after the hold time has elapsed.
- <2> The master device writes the address + W (transmission) to the IICA shift register 0 (IICA0) and transmits the slave address.
- <3> In the slave device if the address received matches the address (SVA0 value) of a slave device^{Note}, that slave device sends an ACK by hardware to the master device. The ACK is detected by the master device (ACKD0 = 1) at the rising edge of the 9th clock.
- <4> The master device issues an interrupt (INTIICA0: end of address transmission) at the falling edge of the 9th clock. The slave device whose address matched the transmitted slave address sets a wait status (SCLA0 = 0) and issues an interrupt (INTIICA0: address match)^{Note}.
- <5> The master device writes the data to transmit to the IICA0 register and releases the wait status that it set by the master device.
- <6> If the slave device releases the wait status (WREL0 = 1), the master device starts transferring data to the slave device.

Note If the transmitted address does not match the address of the slave device, the slave device does not return an ACK to the master device (NACK: SDAA0 = 1). The slave device also does not issue the INTIICA0 interrupt (address match) and does not set a wait status. The master device, however, issues the INTIICA0 interrupt (end of address transmission) regardless of whether it receives an ACK or NACK.

Remark <1> to <15> in Figure 16-32 represent the entire procedure for communicating data using the I²C bus. Figure 16-32 (1) Start condition ~ address ~ data shows the processing from <1> to <6>, Figure 16-32 (2) Address ~ data ~ data shows the processing from <3> to <10>, and Figure 16-32 (3) Data ~ data ~ stop condition shows the processing from <7> to <15>.

Figure 16-32. Example of Master to Slave Communication
(When 9-Clock Wait Is Selected for Master, 9-Clock Wait Is Selected for Slave) (2/4)

(2) Address ~ data ~ data



- Notes**
1. Write data to IICA0, not setting the WRELO bit, in order to cancel a wait state during transmission by a master device.
 2. For releasing wait state during reception of a slave device, write "FFH" to IICA0 or set the WRELO bit.

The meanings of <3> to <10> in (2) Address ~ data ~ data in Figure 16-32 are explained below.

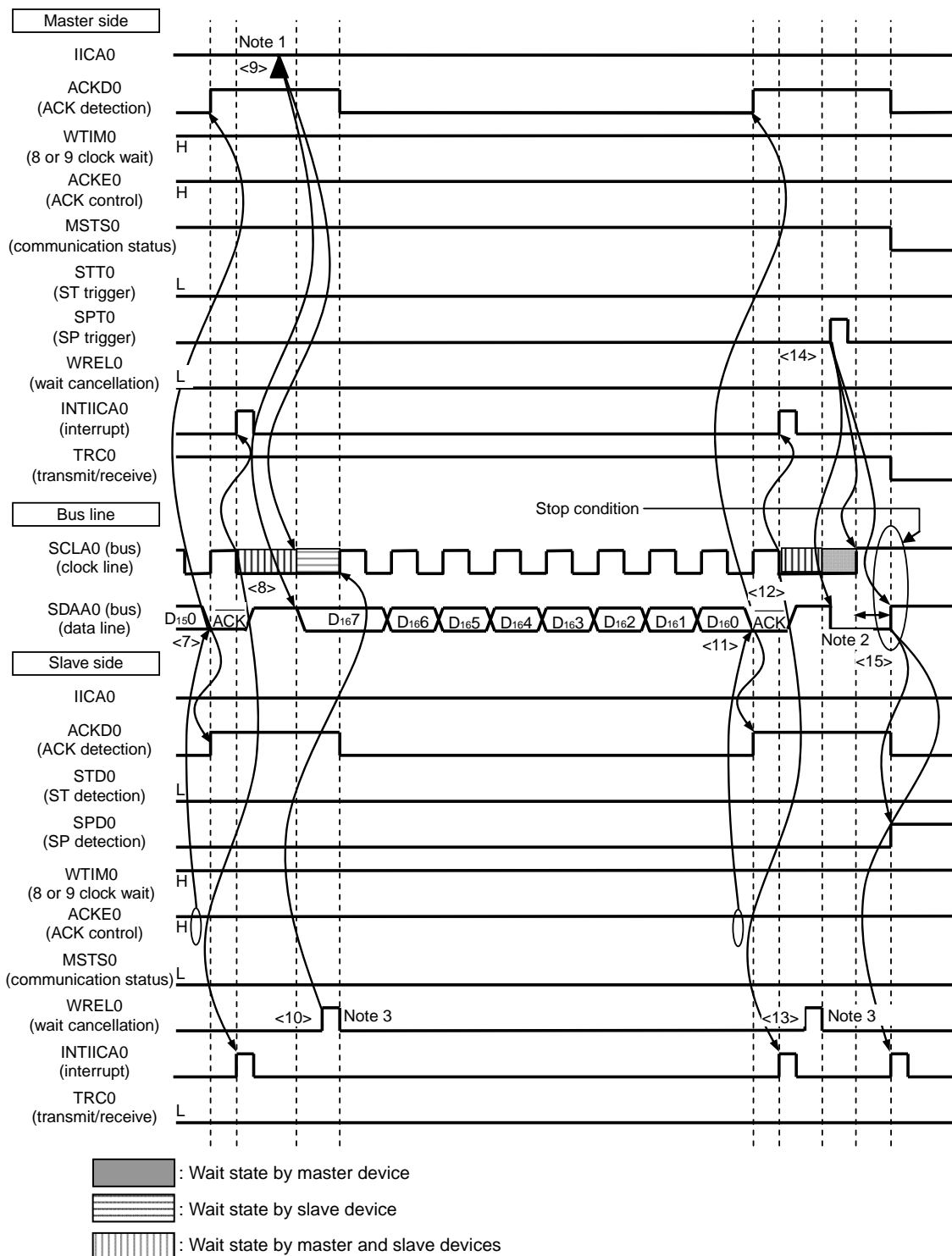
- <3> In the slave device if the address received matches the address (SVA0 value) of a slave device^{Note}, that slave device sends an ACK by hardware to the master device. The ACK is detected by the master device (ACKD0 = 1) at the rising edge of the 9th clock.
- <4> The master device issues an interrupt (INTIICA0: end of address transmission) at the falling edge of the 9th clock. The slave device whose address matched the transmitted slave address sets a wait status (SCLA0 = 0) and issues an interrupt (INTIICA0: address match)^{Note}.
- <5> The master device writes the data to transmit to the IICA shift register 0 (IICA0) and releases the wait status that it set by the master device.
- <6> If the slave device releases the wait status (WRELO = 1), the master device starts transferring data to the slave device.
- <7> After data transfer is completed, because of ACKEO = 1, the slave device sends an ACK by hardware to the master device. The ACK is detected by the master device (ACKD0 = 1) at the rising edge of the 9th clock.
- <8> The master device and slave device set a wait status (SCLA0 = 0) at the falling edge of the 9th clock, and both the master device and slave device issue an interrupt (INTIICA0: end of transfer).
- <9> The master device writes the data to transmit to the IICA0 register and releases the wait status that it set by the master device.
- <10> The slave device reads the received data and releases the wait status (WRELO = 1). The master device then starts transferring data to the slave device.

Note If the transmitted address does not match the address of the slave device, the slave device does not return an ACK to the master device (NACK: SDAA0 = 1). The slave device also does not issue the INTIICA0 interrupt (address match) and does not set a wait status. The master device, however, issues the INTIICA0 interrupt (end of address transmission) regardless of whether it receives an ACK or NACK.

Remark <1> to <15> in Figure 16-32 represent the entire procedure for communicating data using the I²C bus. Figure 16-32 (1) Start condition ~ address ~ data shows the processing from <1> to <6>, Figure 16-32 (2) Address ~ data ~ data shows the processing from <3> to <10>, and Figure 16-32 (3) Data ~ data ~ stop condition shows the processing from <7> to <15>.

**Figure 16-32. Example of Master to Slave Communication
(When 9-Clock Wait Is Selected for Master, 9-Clock Wait Is Selected for Slave) (3/4)**

(3) Data ~ data ~ Stop condition



- Notes**
1. Write data to IICA0, not setting the WRELO bit, in order to cancel a wait state during transmission by a master device.
 2. Make sure that the time between the rise of the SCLA0 pin signal and the generation of the stop condition after a stop condition has been issued is at least 4.0 μ s when specifying standard mode and at least 0.6 μ s when specifying fast mode.
 3. For releasing wait state during reception of a slave device, write "FFH" to IICA0 or set the WRELO bit.

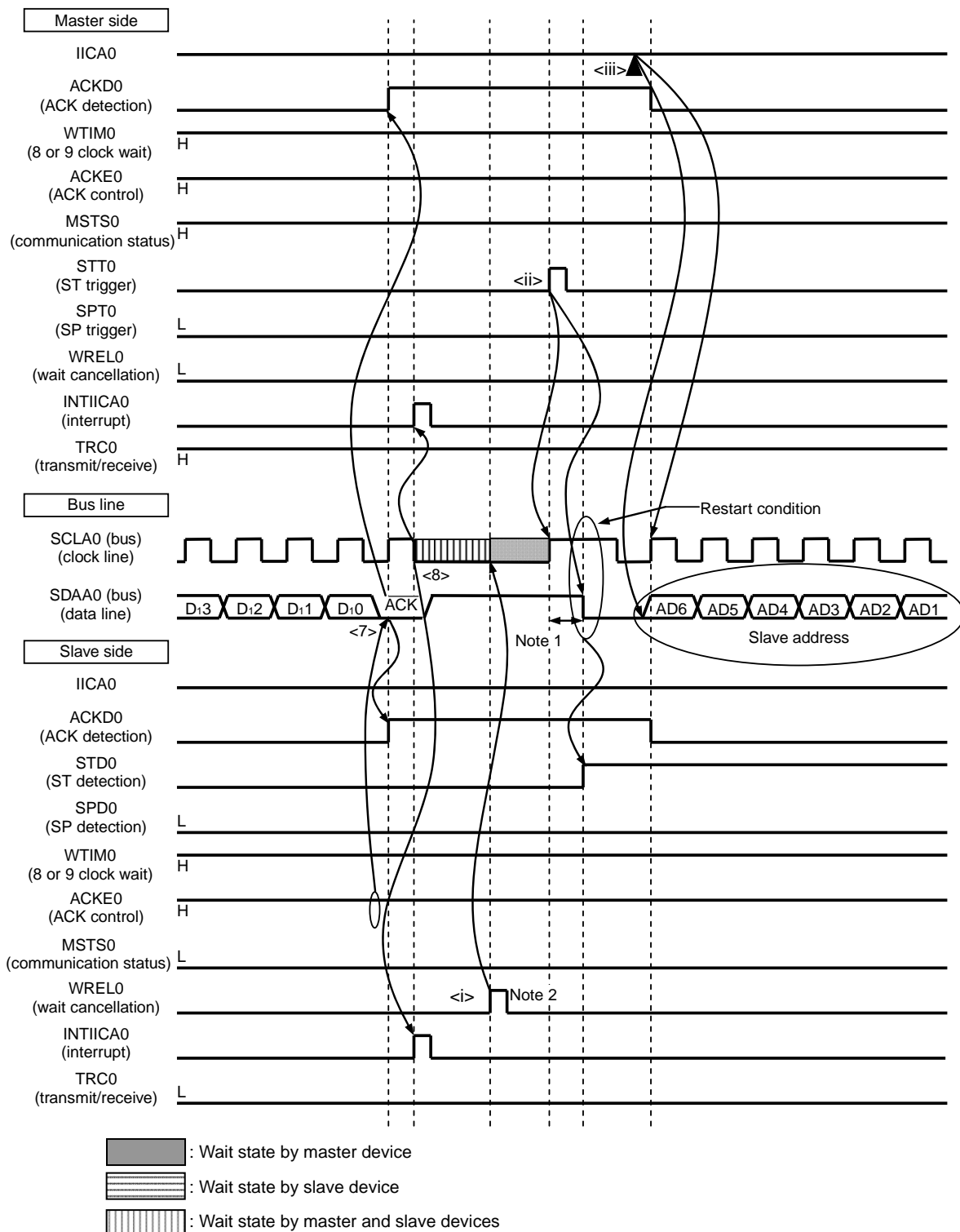
The meanings of <7> to <15> in (3) Data ~ data ~ stop condition in Figure 16-32 are explained below.

- <7> After data transfer is completed, because of $ACKEO = 1$, the slave device sends an ACK by hardware to the master device. The ACK is detected by the master device ($ACKD0 = 1$) at the rising edge of the 9th clock.
- <8> The master device and slave device set a wait status ($SCLA0 = 0$) at the falling edge of the 9th clock, and both the master device and slave device issue an interrupt (INTIICA0: end of transfer).
- <9> The master device writes the data to transmit to the IICA shift register 0 (IICA0) and releases the wait status that it set by the master device.
- <10> The slave device reads the received data and releases the wait status ($WREL0 = 1$). The master device then starts transferring data to the slave device.
- <11> When data transfer is complete, the slave device ($ACKEO = 1$) sends an ACK by hardware to the master device. The ACK is detected by the master device ($ACKD0 = 1$) at the rising edge of the 9th clock.
- <12> The master device and slave device set a wait status ($SCLA0 = 0$) at the falling edge of the 9th clock, and both the master device and slave device issue an interrupt (INTIICA0: end of transfer).
- <13> The slave device reads the received data and releases the wait status ($WREL0 = 1$).
- <14> By the master device setting a stop condition trigger ($SPT0 = 1$), the bus data line is cleared ($SDAA0 = 0$) and the bus clock line is set ($SCLA0 = 1$). After the stop condition setup time has elapsed, by setting the bus data line ($SDAA0 = 1$), the stop condition is then generated (i.e. $SCLA0 = 1$ changes $SDAA0$ from 0 to 1).
- <15> When a stop condition is generated, the slave device detects the stop condition and issues an interrupt (INTIICA0: stop condition).

Remark <1> to <15> in Figure 16-32 represent the entire procedure for communicating data using the I²C bus. Figure 16-32 (1) Start condition ~ address ~ data shows the processing from <1> to <6>, Figure 16-32 (2) Address ~ data ~ data shows the processing from <3> to <10>, and Figure 16-32 (3) Data ~ data ~ stop condition shows the processing from <7> to <15>.

Figure 16-32. Example of Master to Slave Communication
(When 9-Clock Wait Is Selected for Master, 9-Clock Wait Is Selected for Slave) (4/4)

(4) Data ~ restart condition ~ address



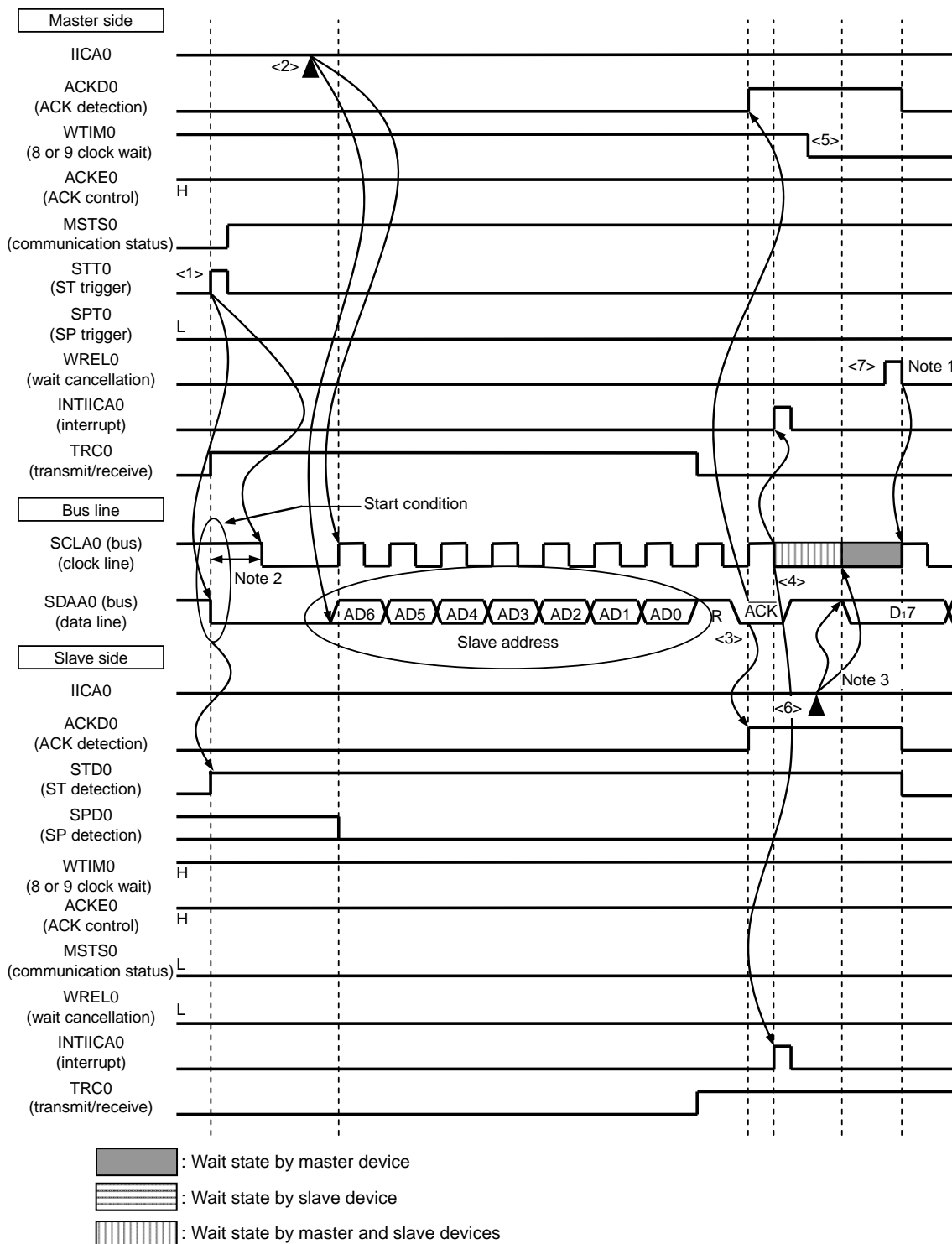
- Notes**
1. Make sure that the time between the rise of the SCLA0 pin signal and the generation of the start condition after a restart condition has been issued is at least 4.7 μ s when specifying standard mode and at least 0.6 μ s when specifying fast mode.
 2. For releasing wait state during reception of a slave device, write "FFH" to IICA0 or set the WRELO bit.

The following describes the operations in Figure 16-32 (4) Data ~ restart condition ~ address. After the operations in steps <7> and <8>, the operations in steps <i> to <iii> are performed. These steps return the processing to step <iii>, the data transmission step.

- <7> After data transfer is completed, because of $ACKE0 = 1$, the slave device sends an ACK by hardware to the master device. The ACK is detected by the master device ($ACKD0 = 1$) at the rising edge of the 9th clock.
- <8> The master device and slave device set a wait status ($SCLA0 = 0$) at the falling edge of the 9th clock, and both the master device and slave device issue an interrupt ($INTIICA0$: end of transfer).
- <i> The slave device reads the received data and releases the wait status ($WREL0 = 1$).
- <ii> The start condition trigger is set again by the master device ($STT0 = 1$) and a start condition (i.e. $SCLA0 = 1$ changes $SDAA0$ from 1 to 0) is generated once the bus clock line goes high ($SCLA0 = 1$) and the bus data line goes low ($SDAA0 = 0$) after the restart condition setup time has elapsed. When the start condition is subsequently detected, the master device is ready to communicate once the bus clock line goes low ($SCLA0 = 0$) after the hold time has elapsed.
- <iii> The master device writing the address + R/W (transmission) to the IICA shift register ($IICA0$) enables the slave address to be transmitted.

Figure 16-33. Example of Slave to Master Communication
(When 8-Clock Wait Is Selected for Master, 9-Clock Wait Is Selected for Slave) (1/3)

(1) Start condition ~ address ~ data



- Notes**
- For releasing wait state during reception of a master device, write "FFH" to IICA0 or set the WRELO bit.
 - Make sure that the time between the fall of the SDAA0 pin signal and the fall of the SCLA0 pin signal is at least 4.0 μ s when specifying standard mode and at least 0.6 μ s when specifying fast mode.
 - Write data to IICA0, not setting the WRELO bit, in order to cancel a wait state during transmission by a slave device.

The meanings of <1> to <7> in (1) Start condition ~ address ~ data in Figure 18-33 are explained below.

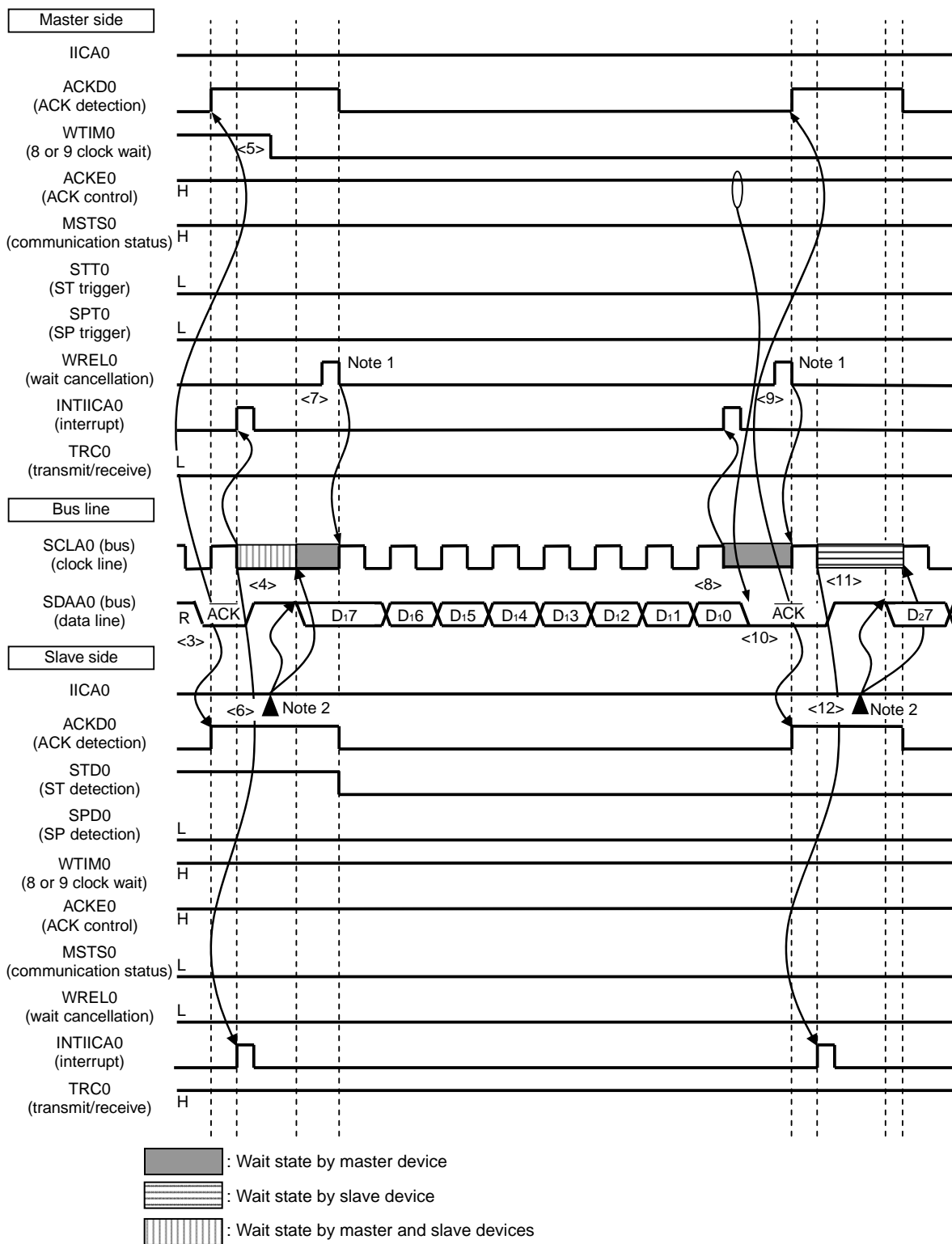
- <1> The start condition trigger is set by the master device (STT0 = 1) and a start condition (i.e. SCLA0 = 1 changes SDAA0 from 1 to 0) is generated once the bus data line goes low (SDAA0). When the start condition is subsequently detected, the master device enters the master device communication status (MSTS0 = 1). The master device is ready to communicate once the bus clock line goes low (SCLA0 = 0) after the hold time has elapsed.
- <2> The master device writes the address + R (reception) to the IICA shift register 0 (IICA0) and transmits the slave address.
- <3> In the slave device if the address received matches the address (SVA0 value) of a slave device^{Note}, that slave device sends an ACK by hardware to the master device. The ACK is detected by the master device (ACKD0 = 1) at the rising edge of the 9th clock.
- <4> The master device issues an interrupt (INTIICA0: end of address transmission) at the falling edge of the 9th clock. The slave device whose address matched the transmitted slave address sets a wait status (SCLA0 = 0) and issues an interrupt (INTIICA0: address match)^{Note}.
- <5> The timing at which the master device sets the wait status changes to the 8th clock (WTIM0 = 0).
- <6> The slave device writes the data to transmit to the IICA0 register and releases the wait status that it set by the slave device.
- <7> The master device releases the wait status (WREL0 = 1) and starts transferring data from the slave device to the master device.

Note If the transmitted address does not match the address of the slave device, the slave device does not return an ACK to the master device (NACK: SDAA0 = 1). The slave device also does not issue the INTIICA0 interrupt (address match) and does not set a wait status. The master device, however, issues the INTIICA0 interrupt (end of address transmission) regardless of whether it receives an ACK or NACK.

Remark <1> to <19> in Figure 16-33 represent the entire procedure for communicating data using the I²C bus. Figure 16-33 (1) Start condition ~ address ~ data shows the processing from <1> to <7>, Figure 16-33 (2) Address ~ data ~ data shows the processing from <3> to <12>, and Figure 16-33 (3) Data ~ data ~ stop condition shows the processing from <8> to <19>.

Figure 16-33. Example of Slave to Master Communication
(When 8-Clock Wait Is Selected for Master, 9-Clock Wait Is Selected for Slave) (2/3)

(2) Address ~ data ~ data



- Notes**
- For releasing wait state during reception of a master device, write “FFH” to IICA0 or set the WRELO bit.
 - Write data to IICA0, not setting the WRELO bit, in order to cancel a wait state during transmission by a slave device.

The meanings of <3> to <12> in (2) Address ~ data ~ data in Figure 16-33 are explained below.

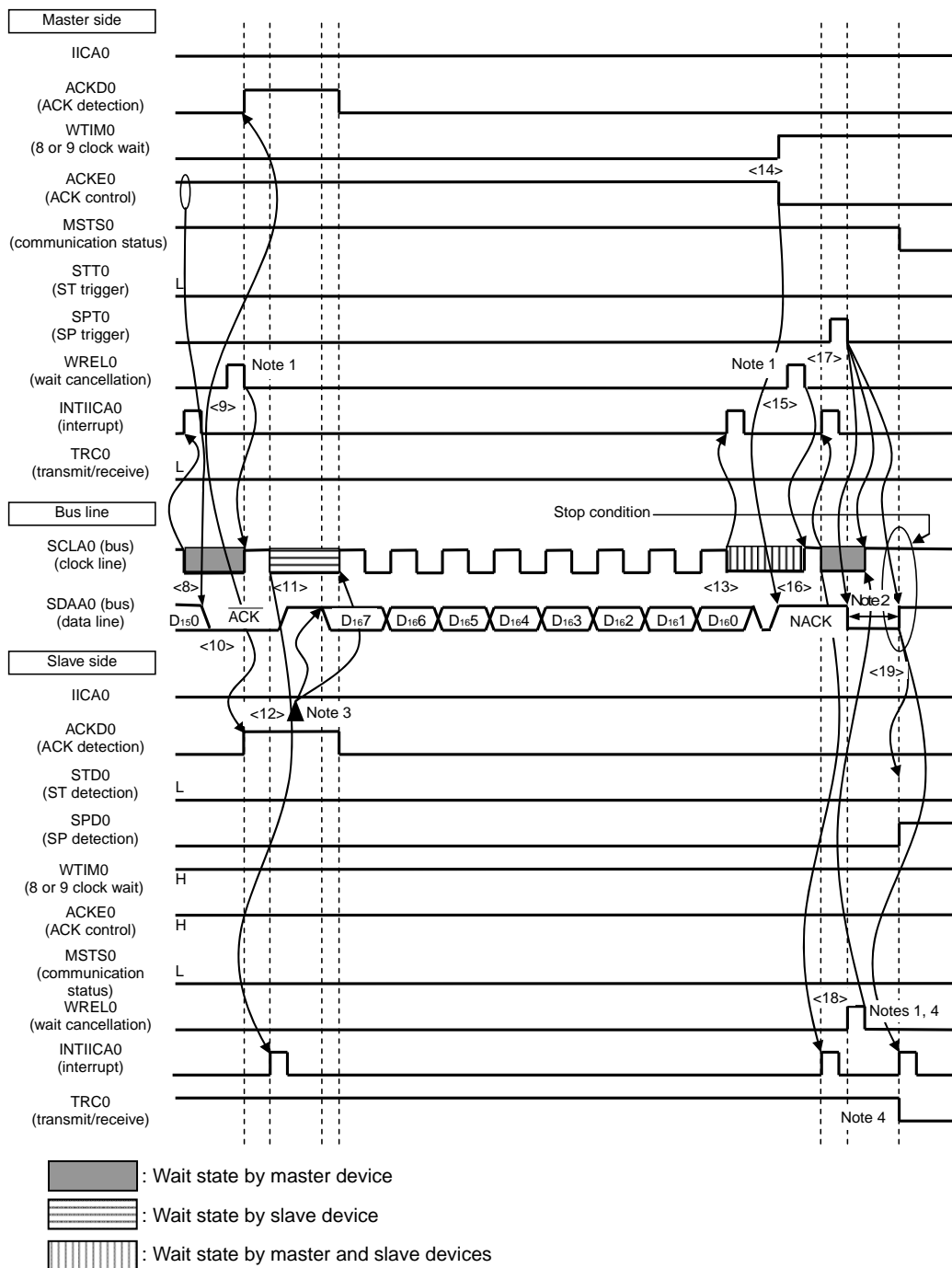
- <3> In the slave device if the address received matches the address (SVA0 value) of a slave device^{Note}, that slave device sends an ACK by hardware to the master device. The ACK is detected by the master device (ACKD0 = 1) at the rising edge of the 9th clock.
- <4> The master device issues an interrupt (INTIICA0: end of address transmission) at the falling edge of the 9th clock. The slave device whose address matched the transmitted slave address sets a wait status (SCLA0 = 0) and issues an interrupt (INTIICA0: address match)^{Note}.
- <5> The master device changes the timing of the wait status to the 8th clock (WTIM0 = 0).
- <6> The slave device writes the data to transmit to the IICA shift register 0 (IICA0) and releases the wait status that it set by the slave device.
- <7> The master device releases the wait status (WREL0 = 1) and starts transferring data from the slave device to the master device.
- <8> The master device sets a wait status (SCLA0 = 0) at the falling edge of the 8th clock, and issues an interrupt (INTIICA0: end of transfer). Because of ACKE0 = 1 in the master device, the master device then sends an ACK by hardware to the slave device.
- <9> The master device reads the received data and releases the wait status (WREL0 = 1).
- <10> The ACK is detected by the slave device (ACKD0 = 1) at the rising edge of the 9th clock.
- <11> The slave device set a wait status (SCLA0 = 0) at the falling edge of the 9th clock, and the slave device issue an interrupt (INTIICA0: end of transfer).
- <12> By the slave device writing the data to transmit to the IICA0 register, the wait status set by the slave device is released. The slave device then starts transferring data to the master device.

Note If the transmitted address does not match the address of the slave device, the slave device does not return an ACK to the master device (NACK: SDAA0 = 1). The slave device also does not issue the INTIICA0 interrupt (address match) and does not set a wait status. The master device, however, issues the INTIICA0 interrupt (end of address transmission) regardless of whether it receives an ACK or NACK.

Remark <1> to <19> in Figure 16-33 represent the entire procedure for communicating data using the I²C bus. Figure 16-33 (1) Start condition ~ address ~ data shows the processing from <1> to <7>, Figure 16-33 (2) Address ~ data ~ data shows the processing from <3> to <12>, and Figure 16-33 (3) Data ~ data ~ stop condition shows the processing from <8> to <19>.

Figure 16-33. Example of Slave to Master Communication
 (When 8-Clock and 9-Clock Wait Is Selected for Master, 9-Clock Wait Is Selected for Slave) (3/3)

(3) Data ~ data ~ stop condition



- Notes**
1. To cancel a wait state, write "FFH" to IICA0 or set the WRELO bit.
 2. Make sure that the time between the rise of the SCLA0 pin signal and the generation of the stop condition after a stop condition has been issued is at least 4.0 μ s when specifying standard mode and at least 0.6 μ s when specifying fast mode.
 3. Write data to IICA0, not setting the WRELO bit, in order to cancel a wait state during transmission by a slave device.
 4. If a wait state during transmission by a slave device is canceled by setting the WRELO bit, the TRC0 bit will be cleared.

The meanings of <8> to <19> in (3) Data ~ data ~ stop condition in Figure 16-33 are explained below.

- <8> The master device sets a wait status (SCLA0 = 0) at the falling edge of the 8th clock, and issues an interrupt (INTIICA0: end of transfer). Because of ACKE0 = 0 in the master device, the master device then sends an ACK by hardware to the slave device.
- <9> The master device reads the received data and releases the wait status (WREL0 = 1).
- <10> The ACK is detected by the slave device (ACKD0 = 1) at the rising edge of the 9th clock.
- <11> The slave device set a wait status (SCLA0 = 0) at the falling edge of the 9th clock, and the slave device issue an interrupt (INTIICA0: end of transfer).
- <12> By the slave device writing the data to transmit to the IICA register, the wait status set by the slave device is released. The slave device then starts transferring data to the master device.
- <13> The master device issues an interrupt (INTIICA0: end of transfer) at the falling edge of the 8th clock, and sets a wait status (SCLA0 = 0). Because ACK control (ACKE0 = 1) is performed, the bus data line is at the low level (SDAA0 = 0) at this stage.
- <14> The master device sets NACK as the response (ACKE0 = 0) and changes the timing at which it sets the wait status to the 9th clock (WTIM0 = 1).
- <15> If the master device releases the wait status (WREL0 = 1), the slave device detects the NACK (ACKD0 = 0) at the rising edge of the 9th clock.
- <16> The master device and slave device set a wait status (SCLA0 = 0) at the falling edge of the 9th clock, and both the master device and slave device issue an interrupt (INTIICA0: end of transfer).
- <17> When the master device issues a stop condition (SPT0 = 1), the bus data line is cleared (SDAA0 = 0) and the master device releases the wait status. The master device then waits until the bus clock line is set (SCLA0 = 1).
- <18> The slave device acknowledges the NACK, halts transmission, and releases the wait status (WREL0 = 1) to end communication. Once the slave device releases the wait status, the bus clock line is set (SCLA0 = 1).
- <19> Once the master device recognizes that the bus clock line is set (SCLA0 = 1) and after the stop condition setup time has elapsed, the master device sets the bus data line (SDAA0 = 1) and issues a stop condition (i.e. SCLA0 =1 changes SDAA0 from 0 to 1). The slave device detects the generated stop condition and slave device issue an interrupt (INTIICA0: stop condition).

Remark <1> to <19> in Figure 16-33 represent the entire procedure for communicating data using the I²C bus. Figure 16-33 (1) Start condition ~ address ~ data shows the processing from <1> to <7>, Figure 16-33 (2) Address ~ data ~ data shows the processing from <3> to <12>, and Figure 16-33 (3) Data ~ data ~ stop condition shows the processing from <8> to <19>.

CHAPTER 17 LIN/UART MODULE (RLIN3)

17.1 Overview

The LIN/UART module is a hardware LIN communication controller that supports LIN Specification Package Revision 1.3, 2.0, 2.1, 2.2 and SAE J2602, and automatically performs frame communication and error determination.

The LIN/UART module is provided with UART mode and can also be used as a UART.

Table 17-1 gives the LIN/UART module specifications and Figures 17-1 and 17-2 show block diagrams of the LIN/UART module.

Table 17-1. LIN/UART Module Specifications

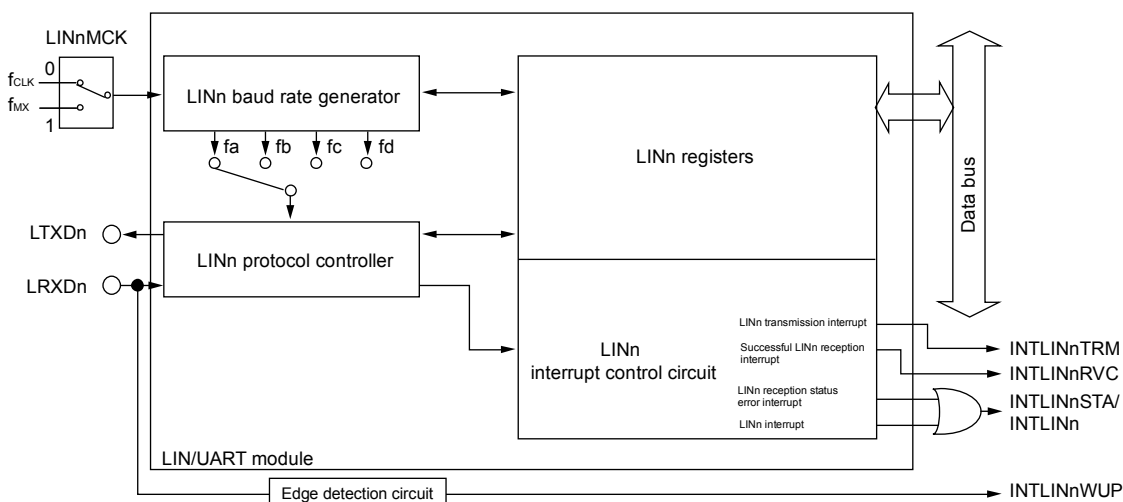
Item		Specifications		
Channel count		RL78/F15: 2 to 3 channels		
LIN communication function	Protocol	LIN Specification Package Revision 1.3, 2.0, 2.1, 2.2 and SAE J2602		
	Variable frame structure	Master	<ul style="list-style-type: none"> Break (low) transmission width: 13 to 28 Tbits Break delimiter transmission width: 1 to 4 Tbits Inter-byte space (header): 0 to 7 Tbits (space between Sync field and ID field)^{Note 1} Response space: 0 to 7 Tbits^{Note 1} Inter-byte space: 0 to 3 Tbits (space between data bytes in response area) Wake-up: 1 to 16 Tbits 	
		Slave	<ul style="list-style-type: none"> Break reception width: 9.5 or 10.5 Tbits [for fixed baud rate] : 10 or 11 Tbits [for auto baud rate] Response space: 0 to 7 Tbits Inter-byte space: 0 to 3 Tbits (space between data bytes in response area) Wake-up: 1 to 16 Tbits 	
	Checksum	<ul style="list-style-type: none"> Automatic operation for both transmission and reception Classic or enhanced selectable (for each frame) 		
	Response field data byte count	Variable from 0 to 8 bytes Multi-byte (9 or more bytes) response transmission and reception also possible		
	Frame communication modes	Master	<ul style="list-style-type: none"> Mode in which header transmission and response transmission/reception is started with a single transmission start request Mode in which header transmission and response transmission are started with separate transmission start requests (frame separate mode) 	
		Slave	<ul style="list-style-type: none"> Mode in which header is automatically received with fixed baud rate Mode in which header is automatically received with the baud rate set according to the sync field measurement result of the sync field and break field detected 	
	Wake-up transmission and reception	LIN wake-up mode provided <ul style="list-style-type: none"> Wake-up transmission (1 to 16 Tbits) Wake-up reception Low width of input signals measured		
	Status	Master	<ul style="list-style-type: none"> Successful frame/wake-up transmission Successful header transmission Successful frame/wake-up reception^{Note 2} Successful data 1 reception Error detection Operation mode (LIN reset mode, LIN wake-up mode, LIN operation mode, LIN self-test mode) 	

Item		Specifications	
LIN communication function	Status	Slave	<ul style="list-style-type: none"> • Successful frame/wake-up transmission • Successful frame/wake-up reception^{Note 2} • Successful header reception • Successful data 1 reception • Error detection • Operation mode (LIN reset mode, LIN wake-up mode, LIN operation mode, LIN self-test mode)
	Error status	Master	<ul style="list-style-type: none"> • Bit error • Checksum error • Frame timeout error/response timeout error • Physical bus error • Framing error • Response preparation error
		Slave	<ul style="list-style-type: none"> • Bit error • Checksum error • Frame timeout error/response timeout error • Sync field error • ID parity error • Framing error • Response preparation error
	Baud rate selection	Baud rate conforming to the LIN specifications generated using baud rate generator	
	Test mode	Self-test mode for user evaluation	
	Interrupt function	Master	<ul style="list-style-type: none"> • Successful header/frame/wake-up transmission • Successful frame/wake-up reception^{Note 2} • Error detection
Slave		<ul style="list-style-type: none"> • Successful frame/wake-up transmission • Header/frame/wake-up reception^{Note 2} • Error detection 	

Item		Specifications
UART communication function	Data buffer	<ul style="list-style-type: none"> • Transmission data buffer/transmission data buffer for wait (exclusively for transmission; data length of 1, 7, 8, and 9 bits supported) • UART buffer (exclusively for transmission; variable data length from 1 to 9 bits; data length of 7 and 8 bits supported) • Reception data buffer (exclusively for reception; data length of 1, 7, 8, and 9 bits supported)
	Data format	<ul style="list-style-type: none"> • Character length: 7 or 8 bits 9 bits including the expansion bit supported. • Transmission stop bit: 1 or 2 bits • Parity function: odd, even, 0, or none • LSB- or MSB-first transfer selectable • Reverse input/output of transmission/reception data
	Status	<ul style="list-style-type: none"> • Transmission status • Reception status • Successful UART buffer transmission • Error SUM • Expansion bit detection • ID match • Reset mode status
	Error status	<ul style="list-style-type: none"> • Bit error • Framing error • Parity error • Overrun error
	Baud rate selection	With the baud rate generator incorporated, any baud rate can be set.
	If the expected level is detected for any expansion bit, the 8 bits of the received data can be compared to the preset register data. The stop bit received is guaranteed (start of transmission can be delayed when start of transmission is attempted during reception of the stop bit).	
	Interrupt function	<ul style="list-style-type: none"> • Transmission start/successful transmission • Successful reception • Status detection

- Notes**
1. Since the same register is used for setting, the inter-byte space (header) = response space.
 2. For wake-up reception, the low level width of the input signal is indicated.

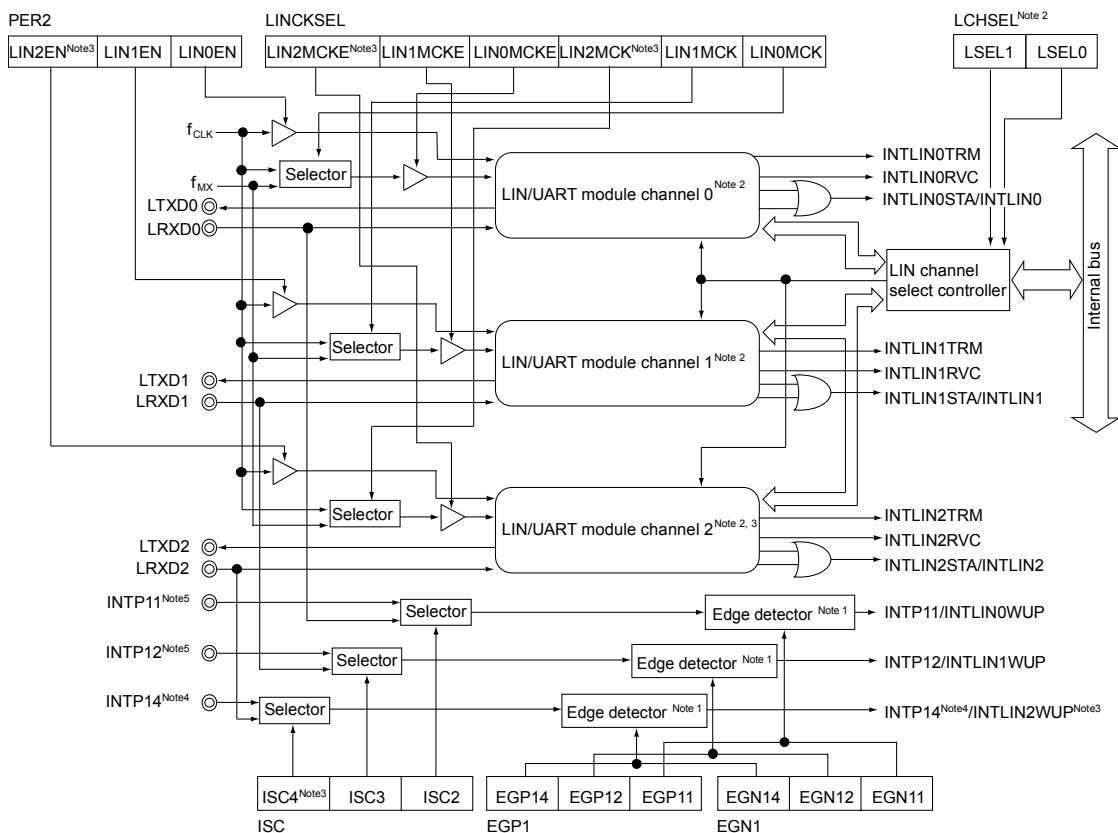
Figure 17-1. LIN/UART Module Block Diagram (1)



n = 0-2

- LTXDn, LRXDn: LIN/UART module I/O pins
 - LINn baud rate generator: Generates the LIN/UART module communication clock signal.
 - LINn registers: LIN/UART module registers
 - LINn interrupt controller: Controls interrupt requests generated by the LIN/UART module.
- (n = 0-2)

Figure 17-2. LIN/UART Module Block Diagram (2)



- Notes
1. For details, see CHAPTER 22 INTERRUPT FUNCTIONS.
 2. Only the registers of the channel that is selected with the LCHSEL register can be accessed using the CPU instructions and by the DTC.
 3. 144, 100-pin only.
 4. 144-pin only.
 5. 144, 100, 80, 64-pin only.

Table 17-2 shows the I/O pins used in the LIN/UART module.

Table 17-2. LIN/UART Module I/O Pins

Module Symbol	Pin Name	Input/Output	Function
LINn	LRXDn	Input	LIN communication function Input pin of the UART communication function
	LTXDn	Output	LIN communication function Output pin of the UART communication function

(n = 0-2)

The appropriate mode should be used for the LIN/UART module according to the application: LIN master, LIN slave, or UART.

LIN master

- LIN reset mode
- LIN mode (LIN master mode)
 - LIN wake-up mode
 - LIN operation mode
- LIN self-test mode

LIN slave

- LIN reset mode
- LIN mode (LIN slave mode [auto baud rate] or LIN slave mode [fixed baud rate])
 - LIN wake-up mode
 - LIN operation mode
- LIN self-test mode

UART

- LIN reset mode
- UART mode

17.2 Register Descriptions

Table 17-3 lists the LIN/UART module-related registers.

Table 17-3. List of LIN/UART Module-Related Registers

Register Name	Symbol	LIN Master	LIN Slave	UART
Peripheral enable register 2	PER2	√	√	√
Input switch control register	ISC	√	√	√
LIN channel select register	LCHSEL	√	√	√
LIN clock select register	LINCKSEL	√	√	√
External interrupt rising edge enable registers 0, 1	EGP0, EGP1	√	√	√
External interrupt falling edge enable registers 0, 1	EGN0, EGN1	√	√	√
LIN wake-up baud rate select register	LWBR0/LWBR1/LWBR2 ^{Note}	√	√	√
LIN/UART baud rate prescaler registers	LBRP0/LBRP1/LBRP2 ^{Note}	—	√	√
LIN/UART baud rate prescaler 0 register	LBRP00/LBRP10 /LBRP20 ^{Note}	√	√	√
LIN/UART baud rate prescaler 1 register	LBRP01/LBRP11 /LBRP21 ^{Note}	√	√	√
LIN self-test control register	LSTC0/LSTC1/LSTC2 ^{Note}	√	√	—
UART standby control register	LUSC0/LUSC1/LUSC2 ^{Note}	—	—	√
LIN/UART mode register	LMD0/LMD1/LMD2 ^{Note}	√	√	√
LIN break field configuration register/ UART configuration register	LBFC0/LBFC1/LBFC2 ^{Note}	√	√	√
LIN/UART space configuration register	LSC0/LSC1/LSC2 ^{Note}	√	√	√
LIN wake-up configuration register	LWUP0/LWUP1/LWUP2 ^{Note}	√	√	—
LIN interrupt enable register	LIE0/LIE1/LIE2 ^{Note}	√	√	—
LIN/UART error detection enable register	LEDE0/LEDE1/LEDE2 ^{Note}	√	√	√
LIN/UART control register	LCUC0/LCUC1/LCUC2 ^{Note}	√	√	√
LIN/UART transmission control register	LTRC0/LTRC1/LTRC2 ^{Note}	√	√	√
LIN/UART mode status register	LMST0/LMST1/LMST2 ^{Note}	√	√	√
LIN/UART status register	LST0/LST1/LST2 ^{Note}	√	√	√
LIN/UART error status register	LEST0/LEST1/LEST2 ^{Note}	√	√	√
LIN/UART data field configuration register	LDFC0/LDFC1/LDFC2 ^{Note}	√	√	√
LIN/UART ID buffer register	LIDB0/LIDB1/LIDB2 ^{Note}	√	√	√
LIN checksum buffer register	LCBR0/LCBR1/LCBR2 ^{Note}	√	√	—
UART data buffer 0 register	LUDB00/LUDB10/LUDB20 ^{Note}	—	—	√
LIN/UART data buffer 1 register	LDB01/LDB11/LDB21 ^{Note}	√	√	√
LIN/UART data buffer 2 register	LDB02/LDB12/LDB22 ^{Note}	√	√	√
LIN/UART data buffer 3 register	LDB03/LDB13/LDB23 ^{Note}	√	√	√
LIN/UART data buffer 4 register	LDB04/LDB14/LDB24 ^{Note}	√	√	√
LIN/UART data buffer 5 register	LDB05/LDB15/LDB25 ^{Note}	√	√	√
LIN/UART data buffer 6 register	LDB06/LDB16/LDB26 ^{Note}	√	√	√
LIN/UART data buffer 7 register	LDB07/LDB17/LDB27 ^{Note}	√	√	√
LIN/UART data buffer 8 register	LDB08/LDB18/LDB28 ^{Note}	√	√	√
UART operation enable register	LUOER0/LUOER1/LUOER2 ^{Note}	—	—	√
UART option register 1	LUOR01/LUOR11/LUOR21 ^{Note}	—	—	√

Register Name	Symbol	LIN Master	LIN Slave	UART
UART transmission data register	LUTDR0/LUTDR1/LUTDR2 ^{Note}	—	—	√
	LUTDR0L/LUTDR1L /LUTDR2L ^{Note}	—	—	√
	LUTDR0H/LUTDR1H /LUTDR2H ^{Note}	—	—	√
UART reception data register	LURDR0/LURDR1/LURDR2	—	—	√
	LURDR0L/LURDR1L /LURDR2L ^{Note}	—	—	√
	LURDR0H/LURDR1H /LURDR2H ^{Note}	—	—	√
UART wait transmission data register	LUWTDR0/LUWTDR1 /LUWTDR2 ^{Note}	—	—	√
	LUWTDR0L /LUWTDR1L /LUWTDR2L ^{Note}	—	—	√
	LUWTDR0H/ LUWTDR1H /LUWTDR2H ^{Note}	—	—	√

√ : Used

— : Not used

Note 144, 100-pin only.

When writing to a register not used, write 00H.

17.2.1 LIN Registers for Master Mode

(1) Input Switch Control Register (ISC)

The ISC2 to ISC4 bits in the ISC register are used in the LIN/UART module (RLIN3).

Setting bit 2, bit 3 or bit 4 to 1 selects the input signal of the serial data input pin for the LIN/UART module as the external interrupt input.

This register can be set by a 1-bit or 8-bit memory manipulation instruction.

Reset signal generation sets this register to 00H.

Address: F0073H After reset: 00H R/W

Symbol	7	6	5	4	3	2	1	0
ISC	0	0	0	ISC4	ISC3	ISC2	0	ISC0

ISC4 ^{Note}	Switching inputs for external interrupt INTP14
0	INTP14 pin input signal is set as external interrupt input.
1	LRXD2 pin input signal is set as external interrupt input.

ISC3	Switching inputs for external interrupt INTP12
0	INTP12 pin input signal is set as external interrupt input.
1	LRXD1 pin input signal is set as external interrupt input.

ISC2	Switching inputs for external interrupt INTP11
0	INTP11 pin input signal is set as external interrupt input.
1	LRXD0 pin input signal is set as external interrupt input.

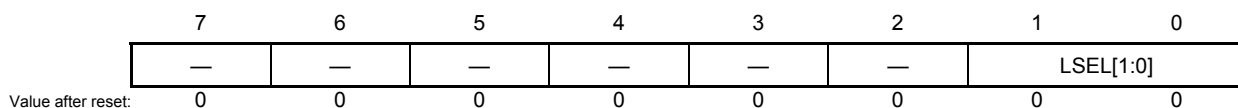
ISC0	Switching inputs for external interrupt INTP0
0	INTP0 pin input signal is set as external interrupt input. (normal operation)
1	RXD0 pin input signal is set as external interrupt input. (wake-up signal detection)

Note 144-, 100-pin only.

Caution Bits 7 to 5 and 1 should always be set to 0.
Be sure to set the ISC4 bit to 0 in 80-, 64-, 48-pin products.

(2) LIN Channel Select Register (LCHSEL)

Address: F007BH



Bit	Symbol	Bit Name	Function	R/W
1 to 0	LSEL[1:0]	LIN Channel Select	b1 b0 0 0: Selects LIN0. (LIN0 registers can be accessed.) 0 1: Selects LIN1. (LIN1 registers can be accessed.) 1 0: Selects LIN2. (LIN2 registers can be accessed.) ^{Note} Setting prohibited other than the above.	R/W
7 to 2	—	Reserved	These bits are always read as 0. The write value should always be 0.	R/W

LSEL[1:0] bits (LIN channel select bit)

Since the LIN/UART module registers are not directly mapped on the CPU memory map, they should be accessed via the register windows. The register windows are mapped on addresses F06C1H to F06E9H.

Setting a value to the LSEL[1:0] bits maps all the registers of the corresponding channel on the register window.

Setting the LSEL[1:0] bits to 00b maps the LIN0 registers.

Setting the LSEL[1:0] bits to 01b maps the LIN1 registers.

Setting the LSEL[1:0] bits to 10b maps the LIN2 registers.^{Note}

Set the LSEL[1:0] bits to the applicable value before accessing a register of the channel to use.

Note 144, 100-pin only.
10b must not be set for other than 144, 100-pin products.

(3) Peripheral Enable Register 2 (PER2)

The PER2 register is used to enable or disable supplying the clock to the peripheral hardware. Clock supply to the hardware that is not used is also stopped so as to decrease the power consumption and noise.

To use the peripheral functions which are controlled by this register, set (1) the bit corresponding to each function before specifying the initial settings of the peripheral functions.

This register can be set by a 1-bit or 8-bit memory manipulation instruction.

Reset signal generation sets this register to 00H.

Address: F02C1H After reset: 00H R/W

Symbol	7	6	<5>	<4>	<3>	<2>	1	<0>
PER2	0	0	IEBUSEN	LIN2EN ^{Note}	LIN1EN	LIN0EN	0	CAN0EN

IEBUSEN	Control of IEBB input clock supply
0	Stops input clock supply. <ul style="list-style-type: none"> Disables writing to the SFR used by IEBB. IEBB is in the reset state.
1	Enables input clock supply. <ul style="list-style-type: none"> Enables reading from and writing to the SFR used by IEBB.

LIN2EN ^{Note}	Control of LIN2 input clock supply
0	Stops input clock supply. <ul style="list-style-type: none"> Disables writing to the SFR used by LIN2. LIN2 is in the reset state.
1	Enables input clock supply. <ul style="list-style-type: none"> Enables reading from and writing to the SFR used by LIN2.

LIN1EN	Control of LIN1 input clock supply
0	Stops input clock supply. <ul style="list-style-type: none"> Disables writing to the SFR used by LIN1. LIN1 is in the reset state.
1	Enables input clock supply. <ul style="list-style-type: none"> Enables reading from and writing to the SFR used by LIN1.

LIN0EN	Control of LIN0 input clock supply
0	Stops input clock supply. <ul style="list-style-type: none"> Disables writing to the SFR used by LIN0. LIN0 is in the reset state.
1	Enables input clock supply. <ul style="list-style-type: none"> Enables reading from and writing to the SFR used by LIN0.

CAN0EN	Control of CAN input clock supply
0	Stops input clock supply. <ul style="list-style-type: none"> Disables writing to the SFR used by CAN. CAN is in the reset state.
1	Enables input clock supply. <ul style="list-style-type: none"> Enables reading from and writing to the SFR used by CAN.

Note 144, 100-pin only.

0 must be set for other than 144, 100-pin products.

(4) LIN Clock Select Register (LINCKSEL)

This register is used to control the communication clock source supplied to the LIN.

Address: F02C3H After reset: 00H R/W

Symbol	7	<6>	<5>	<4>	3	<2>	<1>	<0>
LINCKSEL	0	LIN2MCKE Note	LIN1MCKE	LIN0MCKE	0	LIN2MCK Note	LIN1MCK	LIN0MCK

LIN2MCKE Note	Control of supplying or stopping LIN2 communication clock source
0	Stops LIN communication clock source supply.
1	Enables LIN communication clock source supply.

LIN1MCKE	Control of supplying or stopping LIN1 communication clock source
0	Stops LIN communication clock source supply.
1	Enables LIN communication clock source supply.

LIN0MCKE	Control of supplying or stopping LIN0 communication clock source
0	Stops LIN communication clock source supply.
1	Enables LIN communication clock source supply.

LIN2MCK Note	Control of selecting LIN2 communication clock source
0	Selects the f_{CLK} clock.
1	Selects the f_{MX} clock.

LIN1MCK	Control of selecting LIN1 communication clock source
0	Selects the f_{CLK} clock.
1	Selects the f_{MX} clock.

LIN0MCK	Control of selecting LIN0 communication clock source
0	Selects the f_{CLK} clock.
1	Selects the f_{MX} clock.

Note 144, 100-pin only.

0 must be set for other than 144, 100-pin products.

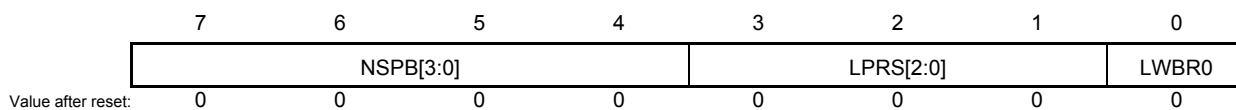
- Cautions**
1. Select the LINn operating clock with the LINnMCK bit before setting the LINnMCKE (n = 0-2) bit to 1 (operating clock is supplied).
 2. When operating LINn in SNOOZE mode, set the LINnMCK bit to 0.
 3. In case of LINnMCK is set to 1, do not used the timeout error detection.
In that case, set at least 1.2 times the frequency of the LIN communication clock source to the f_{CLK} clock.

(5) External interrupt rising edge enable registers (EGP0, EGP1), external interrupt falling edge enable registers (EGN0, EGN1)

For details, see 22.3.4 External interrupt rising edge enable registers (EGP0, EGP1), external interrupt falling edge enable registers (EGN0, EGN1).

(6) LIN Wake-up Baud Rate Select Register (LWBRn)

Address: F06C1H



Bit	Symbol	Bit Name	Function	R/W
0	LWBR0	Wake-up Baud Rate Select	0: When LIN1.3 is used 1: When LIN 2.x is used	R/W
3 to 1	LPRS [2:0]	Prescaler Clock Select	b3 b1 0 0 0: 1/1 0 0 1: 1/2 0 1 0: 1/4 0 1 1: 1/8 1 0 0: 1/16 1 0 1: 1/32 1 1 0: 1/64 1 1 1: 1/128	R/W
7 to 4	NSPB [3:0]	Bit Sampling Count Select	b7 b4 0 0 0 0: 16 sampling 1 1 1 1: 16 sampling Settings other than the above are prohibited.	R/W

Set the LWBRn register when the OMM0 bit in the LMSTn register is 0 (LIN reset mode).

LWBR0 bit (wake-up baud rate select bit)

When LIN Specification Package Revision 1.3 is used, set the LWBR0 bit in the LWBRn register to 0. This allows the 2.5-Tbit or longer low level width of the input signal to be measured. When LIN Specification Package Revision 2.x is used, set the LWBR0 bit to 1. When the LWBR0 bit is set to 1, fa is always selected as the LIN system clock (f_{LIN}) in LIN wake-up mode regardless of the setting of LCKS bits in the LMDn register (setting of LCKS bits not affected). This allows the 2.5-Tbit or longer low level width of the input signal to be measured.

Setting the baud rate to 19200 bps with fa selected allows 130 μ s or longer low level width of the input signal to be detected in LIN wake-up mode regardless of the setting of LCKS bits in the LMDn register.

LPRS bits (prescaler clock select bits)

The LPRS bits select the frequency division ratio for the prescaler.

The LIN communication clock source frequency is divided based on this prescaler.

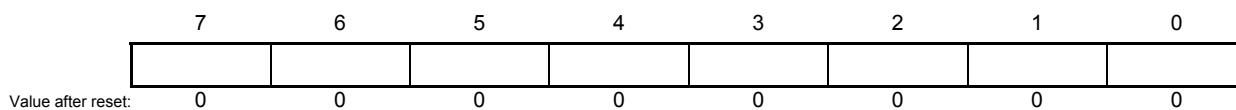
NSPB bits (bit sampling count select bits)

The NSPB bits select the number of sampling in one Tbit (reciprocal of the baud rate).

In LIN master mode (LIN/UART mode select bits in LIN/UART mode register = 00b), set the NSPB bits to 0000b or 1111b (16 sampling).

(7) LIN/UART Baud Rate Prescaler 0 Register (LBRPn0)

Address: F06C2H



Bit	Function	Setting Range	R/W
7 to 0	Assuming that the value set in this register is N (0 to 255), the baud rate prescaler 0 divides the frequency of the prescaler clock by N + 1.	00H to FFH	R/W

Set the LBRPn0 register when the OMM0 bit in the LMSTn register is 0 (LIN reset mode).

The value set in this register is used to control the frequency of baud rate clock sources fa, fb, and fc.

Assuming that the value set in this register is N, baud rate prescaler 0 divides the frequency of the clock that is selected by the LPRS bits by N + 1.

(8) LIN/UART Baud Rate Prescaler 1 Register (LBRPn1)

Address: F06C3H

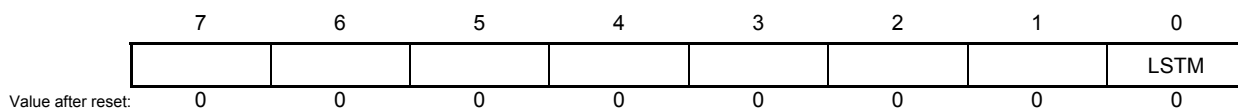


Bit	Function	Setting Range	R/W
7 to 0	Assuming that the value set in this register is M (0 to 255), the baud rate prescaler 1 divides the frequency of the prescaler clock by M+1.	00H to FFH	R/W

Set the LBRPn1 register when the OMM0 bit in the LMSTn register is 0 (LIN reset mode).
 The value set in this register is used to control the frequency of baud rate clock source fd.
 Assuming that the value set in this register is M, baud rate prescaler 1 divides the frequency of the clock that is selected by the LPRS bits (prescaler clock select bits) by M+1.

(9) LIN Self-Test Control Register (LSTCn)

Address: F06C4H



Bit	Symbol	Bit Name	Function	R/W
7 to 0			Writing A7H, 58H, and 01H successively to these bits places the LIN/UART module into LIN self-test mode.	R/W
0	LSTM	LIN Self-Test Mode	0: The module is not in LIN self-test mode 1: The module is in LIN self-test mode.	R/W

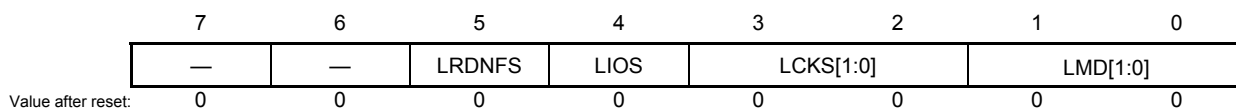
The LSTCn register cancels protection of LIN self-test mode.
 Set the LSTCn register when the OMM0 bit in the LMSTn register is 0 (LIN reset mode).
 Writing A7H, 58H, and 01H successively to the LSTCn register places the module into LIN self-test mode.
 When successive writing is completed thus placing LIN self-test mode to be entered, the LSTM bit is set to 1.
 Do not write any other value during successive writing.
 For making transition to LIN self-test mode, refer to **17.6 LIN Self-Test Mode**.
 Reading bits 6 to 1 returns 000000b, and reading bit 7 returns the undefined value.

LSTM bit (LIN self-test mode bit)

When transition to LIN self-test mode is completed, the LSTM bit is set to 1.
 For leaving LIN self-test mode, refer to **17.6 LIN Self-Test Mode**.
 Writing 1 to this bit does not affect the value of the LSTCn register if it is not a part of successive writing of A7H, 58H, and 01H.

(10) LIN/UART Mode Register (LMDn)

Address: F06C8H



Bit	Symbol	Bit Name	Function	R/W
1, 0	LMD[1:0]	LIN/UART Mode Select	b1 b0 0 0: LIN master mode	R/W
3, 2	LCKS[1:0]	LIN System Clock Select	b3 b2 0 0: fa (Clock generated by baud rate prescaler 0) 0 1: fb (1/2 clock generated by baud rate prescaler 0) 1 0: fc (1/8 clock generated by baud rate prescaler 0) 1 1: fd (1/2 clock generated by baud rate prescaler 1)	R/W
4	LIOS	LIN Interrupt Output Select	0: LIN interrupt is used. 1: Transmission interrupt, successful reception interrupt, and reception status interrupt are used.	R/W
5	LRDNFS	LIN Reception Data Noise Filtering Disable	0: The noise filter is enabled. 1: The noise filter is disabled.	R/W
6	—	Reserved	This bit is always read as 0. The write value should always be 0.	R/W
7	—	Reserved	This bit is always read as 0. The write value should always be 0	R/W

Set the LMDn register when the OMM0 bit in the LMSTn register is 0 (LIN reset mode).

LMD[1:0] bits (LIN/UART mode select bits)

The LMD bits select the LIN/UART module mode.

To use the LIN/UART module as a LIN master, set these bits to 00b.

With 00b set, the LIN/UART module operates in LIN master mode.

LCKS[1:0] bits (LIN system clock select bits)

The LCKS bits select the clock to be input to the protocol controller.

With 00b set, the protocol controller is provided with fa (clock generated by baud rate prescaler 0).

With 01b set, the protocol controller is provided with fb (1/2 clock generated by baud rate prescaler 0).

With 10b set, the protocol controller is provided with fc (1/8 clock generated by baud rate prescaler 0).

With 11b set, the protocol controller is provided with fd (1/2 clock generated by baud rate prescaler 1).

When the LWBR0 bit in the LWBRn register is 1 (LIN 2.x is used) and the LMSTn register is 01h (LIN wake-up mode), fa is always input to the protocol controller regardless of the setting of LCKS bits (setting of LCKS bits not affected).

LIOS bit (LIN interrupt output select bit)

The LIOS bit selects the number of interrupt outputs from the LIN/UART module.

With 0 set, the LIN interrupt is generated from the LIN/UART module.

With 1 set, the transmission interrupt, successful reception interrupt, and reception status interrupt are generated from the LIN/UART module.

For each interrupt source, refer to **17.9 Interrupts**.

LRDNFS bit (LIN reception data noise filtering disable bit)

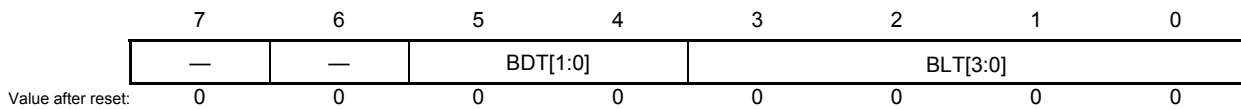
The LRDNFS bit enables or disables the noise filter when receiving data.

With 0 set, the noise filter is enabled when receiving data.

With 1 set, the noise filter is disabled when receiving data.

(11) LIN Break Field Configuration Register/UART Configuration Register (LBFCn)

Address: F06C9H



Bit	Symbol	Bit Name	Function	R/W
3 to 0	BLT[3:0]	Transmission Break (Low) Width Select	b3 b0 0 0 0 0: 13 Tbits 0 0 0 1: 14 Tbits 0 0 1 0: 15 Tbits : 1 1 1 0: 27 Tbits 1 1 1 1: 28 Tbits	R/W
5, 4	BDT[1:0]	Transmission Break Delimiter (High) Width Select	b5 b4 0 0: 1 Tbit 0 1: 2 Tbits 1 0: 3 Tbits 1 1: 4 Tbits	R/W
6	—	Reserved	This bit is always read as 0. The write value should always be 0.	R/W
7	—	Reserved	This bit is always read as 0. The write value should always be 0.	R/W

Set the LBFCn register when the OMM0 bit in the LMSTn register is 0 (LIN reset mode).

Some combinations of the set values result in the length of a frame exceeding the frame timeout time. Set the appropriate values in this register.

BLT[3:0] bits (transmission break (low) width select bits)

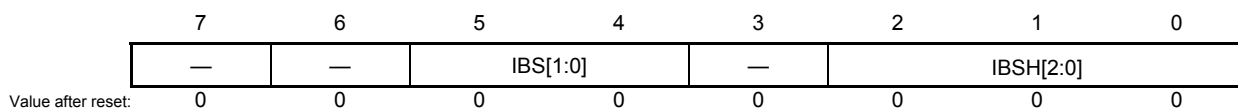
The BLT bits set the break (low) width of the transmission frame header.
13 Tbits to 28 Tbits can be set.

BDT bits (transmission break delimiter (high) width select bits)

The BDT bits set the break delimiter (high) width of the transmission frame header field.
1 Tbit to 4 Tbits can be set.

(12) LIN/UART Space Configuration Register (LSCn)

Address: F06CAH



Bit	Symbol	Bit Name	Function	R/W
2 to 0	IBSH[2:0]	Inter-Byte Space (Header)/ Response Space Select	b2 b0 0 0 0: 0 Tbit 0 0 1: 1 Tbit 0 1 0: 2 Tbits 0 1 1: 3 Tbits 1 0 0: 4 Tbits 1 0 1: 5 Tbits 1 1 0: 6 Tbits 1 1 1: 7 Tbits	R/W
3	—	Reserved	This bit is always read as 0. The write value should always be 0.	R/W
5, 4	IBS[1:0]	Inter-Byte Space Select	b5 b4 0 0: 0 Tbit 0 1: 1 Tbit 1 0: 2 Tbits 1 1: 3 Tbits	R/W
7, 6	—	Reserved	These bits are always read as 0. The write value should always be 0.	R/W

Set the LSCn register when the OMM0 bit in the LMSTn register is 0 (LIN reset mode).

Some combinations of the set values result in the length of a frame or a response exceeding the timeout time. Set the appropriate values in this register.

IBSH[2:0] bits (inter-byte space (header)/response space select bits)

The IBSH bits set the width of the inter-byte space (header) of the transmission frame header field and the response space.

0 Tbit to 7 Tbits can be set.

The response space setting is enabled only during response transmission; setting is disabled during response reception.

The inter-byte space (header) is equal to the response space.

IBS[1:0] bits (inter-byte space select bits)

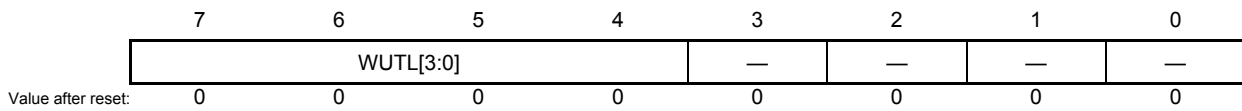
The IBS bits set the width of the inter-byte space of the transmission frame response field.

0 Tbit to 3 Tbits can be set.

These bits are enabled only during response transmission; these are disabled during response reception.

(13) LIN Wake-up Configuration Register (LWUPn)

Address: F06CBH



Bit	Symbol	Bit Name	Function	R/W
3 to 0	—	Reserved	These bits are always read as 0. The write value should always be 0.	R/W
7 to 4	WUTL[3:0]	Wake-up Transmission Low Width Select	b7 b4 0 0 0 0: 1 Tbit 0 0 0 1: 2 Tbits 0 0 1 0: 3 Tbits 0 0 1 1: 4 Tbits : 1 1 0 0: 13 Tbits 1 1 0 1: 14 Tbits 1 1 1 0: 15 Tbits 1 1 1 1: 16 Tbits	R/W

Set the LWUPn register when the OMM0 bit in the LMSTn register is 0 (LIN reset mode).

WUTL[3:0] bits (wake-up transmission low width select bits)

The WUTL bits set the low width of the wake-up signal transmission.

1 Tbit to 16 Tbits can be set.

When the LWBR0 bit in the LWBRn register is 1 (LIN 2.x is used), fa is always selected as the LIN system clock (f_{LIN}) regardless of the setting of LCKS bits in the LMDn register (setting of LCKS bits not affected).

(14) LIN Interrupt Enable Register (LIEn)

Address: F06CCH

	7	6	5	4	3	2	1	0
	—	—	—	—	SHIE	ERRIE	FRCIE	FTCIE
Value after reset:	0	0	0	0	0	0	0	0

Bit	Symbol	Bit Name	Function	R/W
0	FTCIE	Successful Frame/Wake-up Transmission Interrupt Enable	0: Disables successful frame/wake-up transmission interrupt. 1: Enables successful frame/wake-up transmission interrupt.	R/W
1	FRCIE	Successful Frame/Wake-up Reception Interrupt Enable	0: Disables successful frame/wake-up reception interrupt. 1: Enables successful frame/wake-up reception interrupt.	R/W
2	ERRIE	Error Detection Interrupt Enable	0: Disables error detection interrupt. 1: Enables error detection interrupt.	R/W
3	SHIE	Successful Header Transmission Interrupt Enable	0: Disables successful header transmission interrupt. 1: Enables successful header transmission interrupt.	R/W
7 to 4	—	Reserved	These bits are always read as 0. The write value should always be 0.	R/W

Set the LIEn register when the OMM0 bit in the LMSTn register is 0 (LIN reset mode).

FTCIE bit (successful frame/wake-up transmission interrupt enable bit)

The FTCIE bit enables or disables interrupt generation upon successful transmission of a frame or a wake-up signal.

With 0 set, the interrupt is not generated when the FTC flag in the LSTn register is set to 1.

With 1 set, the interrupt is generated when the FTC flag in the LSTn register is set to 1.

FRCIE bit (successful frame/wake-up reception interrupt enable bit)

The FRCIE bit enables or disables interrupt generation upon successful reception of a frame or a wake-up signal (counting of low width of the input signal).

With 0 set, the interrupt is not generated when the FRC flag in the LSTn register is set to 1.

With 1 set, the interrupt is generated when the FRC flag in the LSTn register is set to 1.

ERRIE bit (error detection interrupt enable bit)

The ERRIE bit enables or disables interrupt generation upon detection of an error.

With 0 set, the interrupt is not generated when the ERR flag in the LSTn register is set to 1.

With 1 set, the interrupt is generated when the ERR flag in the LSTn register is set to 1.

Interrupt sources can be the bit error, physical bus error, frame/response timeout error, framing error, checksum error, and response preparation error.

Detection of the bit error, physical bus error, frame/response timeout error, and framing error can be enabled or disabled using the LEDEn register.

SHIE bit (successful header transmission interrupt enable bit)

The SHIE bit enables or disables interrupt generation upon successful transmission of a header.

With 0 set, the interrupt is not generated when the HTRC flag in the LSTn register is set to 1.

With 1 set, the interrupt is generated when the HTRC flag in the LSTn register is set to 1.

(15) LIN/UART Error Detection Enable Register (LEDEn)

Address: F06CDH

7	6	5	4	3	2	1	0
LTES	—	—	—	FERE	FTERE	PBERE	BERE
Value after reset:	0	0	0	0	0	0	0

Bit	Symbol	Bit Name	Function	R/W
0	BERE	Bit Error Detection Enable	0: Disables bit error detection. 1: Enables bit error detection.	R/W
1	PBERE	Physical Bus Error Detection Enable	0: Disables physical bus error detection. 1: Enables physical bus error detection.	R/W
2	FTERE	Timeout Error Detection Enable	0: Disables frame/response timeout error detection. 1: Enables frame/response timeout error detection.	R/W
3	FERE	Framing Error Detection Enable	0: Disables framing error detection. 1: Enables framing error detection.	R/W
4	—	Reserved	This bit is always read as 0. The write value should always be 0.	R/W
5	—	Reserved	This bit is always read as 0. The write value should always be 0.	R/W
6	—	Reserved	This bit is always read as 0. The write value should always be 0.	R/W
7	LTES	Timeout Error Select	0: Frame timeout error 1: Response timeout error	R/W

Set the LEDEn register when the OMM0 bit in the LMSTn register is 0 (LIN reset mode).

BERE bit (bit error detection enable bit)

The BERE bit enables or disables detection of the bit error.

Set 1(the bit error detection enables) to this bit.

The bit error detection result of the bit error is indicated in the BER flag in the LESTn register.

For details of the bit error, refer to **17.4.6 Error Status**.

PBERE bit (physical bus error detection enable bit)

The PBERE bit enables or disables detection of the physical bus error.

With 0 set, the physical bus error is not detected.

With 1 set, the physical bus error is detected.

When this bit is set to 1, the detection result is indicated in the PBER flag in the LESTn register.

For details of the physical bus error, refer to **17.4.6 Error Status**.

FTERE bit (timeout error detection enable bit)

The FTERE bit enables or disables detection of the frame timeout error or the response timeout error.

With 0 set, the frame timeout error or response timeout error is not detected.

With 1 set, the frame timeout error or response timeout error is detected.

When this bit is set to 1, the detection result is indicated in the FTER flag in the LESTn register.

With the LTES bit, either the frame timeout error or response timeout error can be selected.

Do not use the timeout error if response data of 9 bytes or more is to be transmitted or received.

For details of the timeout error, refer to **17.4.6 Error Status**.

FERE bit (framing error detection enable bit)

The FERE bit enables or disables detection of the framing error.

Set 1(the framing error detection enables) to this bit.

The framing error detection result is indicated in the FER flag in the LESTn register.

For details of the framing error, refer to **17.4.6 Error Status**.

LTES bit (timeout error select bit)

The LTES bit selects the specific timeout function to be used.

With 0 set, the timeout function applies to frame timeout.

With 1 set, the timeout function applies to response timeout.

For details of the timeout error, refer to **17.4.6 Error Status**.

(16) LIN/UART Control Register (LCUCn)

Address: F06CEH

7	6	5	4	3	2	1	0
—	—	—	—	—	—	OM1	OM0
Value after reset:	0	0	0	0	0	0	0

Bit	Symbol	Bit Name	Function	R/W
0	OM0	LIN Reset	0: LIN reset mode is caused. 1: LIN reset mode is canceled.	R/W
1	OM1	LIN Mode Select	0: LIN wake-up mode is caused. 1: LIN operation mode is caused.	R/W
7 to 2	—	Reserved	These bits are always read as 0. The write value should always be 0.	R/W

Set the LCUCn register to 01H to cause a transition to LIN wake-up mode after canceling LIN reset mode, and set the LCUCn register to 03H to cause a transition to LIN operation mode.

In LIN self-test mode, set the LCUCn register to 03H after a transition to LIN self-test mode is completed.

After a value is written to this register, confirm that the value written is actually indicated in the LMSTn register before writing another value.

OM0 bit (LIN reset bit)

The OM0 bit selects either causing a transition to LIN reset mode or canceling LIN reset mode.

With 0 set, LIN reset mode is caused.

With 1 set, LIN reset mode is canceled.

OM1 bit (LIN mode select bit)

The OM1 bit selects the specific operation mode (either LIN wake-up mode or LIN operation mode) after canceling LIN reset mode.

With 0 set, LIN wake-up mode is caused.

With 1 set, LIN operation mode is caused.

This register is valid only when the OMM0 bit in the LMSTn register is 1.

Writing a value to this bit is disabled while the FTS bit in the LTRCn register is 1.

(17) LIN/UART Transmission Control Register (LTRCn)

Address: F06D0H

7	6	5	4	3	2	1	0
—	—	—	—	—	—	RTS	FTS
Value after reset:	0	0	0	0	0	0	0

Bit	Symbol	Bit Name	Function	R/W
0	FTS	Frame Transmission or Wake-up Transmission/Reception Start	0: Frame transmission or wake-up transmission/reception is stopped. 1: Frame transmission or wake-up transmission/reception is started.	R/W
1	RTS	Response Transmission/Reception Start	0: Response transmission/reception is stopped in frame separate mode. 1: Response transmission/reception is started in frame separate mode.	R/W
2	—	Reserved	This bit is always read as 0. The write value should always be 0.	R/W
7 to 3	—	Reserved	These bits are always read as 0. The write value should always be 0.	R/W

FTS bit (frame transmission or wake-up transmission/reception start bit)

Set the FTS bit to 1 to start frame or wake-up transmission.

Also set this bit to 1 to allow wake-up reception (counting of the low width of the input signal).

Only 1 can be written to this bit; 0 cannot be written.

Writing a value to this bit is disabled when the OMM0 bit in the LMSTn register is 0 (LIN reset mode). This bit is set to 0 upon completion of frame or wake-up communication and transition to LIN reset mode.

RTS bit (response transmission/reception start bit)

Set the RTS bit to 1 in frame separate mode after header transmission is started (FTS bit is 1) and response transmission data is ready. Once set, this bit is automatically cleared to 0 upon completion of frame communication or transition to LIN reset mode.

Only 1 can be written to this bit; 0 cannot be written.

To write 1 to this bit, write 02H to the LTRCn register by using an 8-bit data transfer instruction.

Writing a value to this bit is disabled when the OMM0 bit in the LMSTn register is 0 (LIN reset mode).

Writing a value to this bit is disabled when the FTS bit is 0 (frame transmission or wake-up transmission/reception is halted).

When response data of 9 bytes or more is to be transmitted or received, set this bit to 1 each time a data group (variable from 0 to 8 bytes) is transmitted or received. Once set, this bit is automatically cleared to 0 upon completion of data group communication or transition to LIN reset mode.

(18) LIN/UART Mode Status Register (LMSTn)

Address: F06D1H

7	6	5	4	3	2	1	0
—	—	—	—	—	—	OMM1	OMM0
Value after reset:	0	0	0	0	0	0	0

Bit	Symbol	Bit Name	Function	R/W
0	OMM0	LIN Reset Status Monitor	0: The module is in LIN reset mode. 1: The module is not in LIN reset mode.	R
1	OMM1	LIN Mode Status Monitor	0: The module is in LIN wake-up mode. 1: The module is in LIN operation mode.	R
7 to 2	—	Reserved	These bits are always read as 0. The write value should always be 0.	R/W

OMM0 bit (LIN reset status monitor)**OMM1 bit (LIN mode status monitor)**

The OMM0 and OMM1 bits indicate the current operation mode.

(19) LIN/UART Status Register (LSTn)

Address: F06D2H

	7	6	5	4	3	2	1	0
	HTRC	D1RC	—	—	ERR	—	FRC	FTC
Value after reset:	0	0	0	0	0	0	0	0

Bit	Symbol	Bit Name	Function	R/W
0	FTC	Successful Frame/Wake-up Transmission Flag	0: Frame or wake-up transmission has not been completed. 1: Frame or wake-up transmission has been completed.	R/W
1	FRC	Successful Frame/Wake-up Reception Flag	0: Frame or wake-up reception has not been completed. 1: Frame or wake-up reception has been completed.	R/W
2	—	Reserved	This bit is always read as 0. The write value should always be 0.	R/W
3	ERR	Error Detection Flag	0: No error has been detected. 1: Error has been detected.	R
4, 5	—	Reserved	These bits are always read as 0. The write value should always be 0.	R/W
6	D1RC	Successful Data 1 Reception Flag	0: Data 1 reception has not been completed. 1: Data 1 reception has been completed.	R/W
7	HTRC	Successful Header Transmission Flag	0: Header transmission has not been completed. 1: Header transmission has been completed.	R/W

The LSTn register is automatically cleared to 00H upon transition to LIN reset mode and start of the next communication (the FTS bit in the LTRCn register is 1).

In LIN reset mode, writing to this register is disabled. In LIN reset mode, the register retains 00H.

To clear the specific bits in the register, write 0 to the bits to be cleared and write 1 to the other bits by using an 8-bit data transfer instruction.

FTC flag (successful frame/wake-up transmission flag)

Only 0 can be written to the FTC flag; when 1 is written, the bit retains the value that has been retained before 1 is written. The FTC flag is set to 1 upon completion of response or wake-up transmission. Here, an interrupt is generated if the FTCIE bit in the LIEn register is 1 (interrupt is enabled). To clear the bit to 0 before the next communication (the FTS bit in the LTRCn register is 1), write 0 to the bit in LIN operation mode or LIN wake-up mode.

When response data of 9 bytes or more is to be transmitted, this bit is set to 1 each time a data group (variable from 0 to 8 bytes) is transmitted. Write 0 before starting transmission of the next data group.

FRC flag (successful frame/wake-up reception flag)

Only 0 can be written to the FRC flag; when 1 is written, the bit retains the value that has been retained before 1 is written. The FRC flag is set to 1 upon completion of response or wake-up reception. Here, an interrupt is generated if the FRCIE bit in the LIEn register is 1 (interrupt is enabled). To clear the bit to 0 before the next communication (the FTS bit in the LTRCn register is 1), write 0 to the bit in LIN operation mode or LIN wake-up mode.

When response data of 9 bytes or more is to be received, this bit is set to 1 each time a data group (variable from 0 to 8 bytes) is received. Write 0 before starting reception of the next data group.

ERR flag (error detection flag)

The ERR flag is set to 1 upon detection of an error (any of the LESTn register flags is 1). Here, an interrupt is generated if the ERRIE bit in the LIEn register is 1 (interrupt is enabled). To clear the bit to 0 before the next communication (the FTS bit in the LTRCn register is 1), write 0 to the RPER, CSER, FER, FTER, PBER, and BER flags in the LESTn register in LIN operation mode or LIN wake-up mode. This clears the ERR flag to 0.

D1RC flag (successful data 1 reception flag)

Only 0 can be written to the D1RC flag; when 1 is written, the bit retains the value that has been retained before 1 is written.

The D1RC flag is set to 1 upon completion of data 1 reception. Here, an interrupt is not generated. To clear the bit to 0 before the next communication (the FTS bit in the LTRCn register is 1), write 0 to the bit in LIN operation mode.

When response data of 9 bytes or more is to be received, this bit is set to 1 each time data 1 of a data group (variable from 0 to 8 bytes) is received. Write 0 before starting reception of the next data group.

HTRC flag (successful header transmission flag)

Only 0 can be written to the HTRC flag; when 1 is written, the bit retains the value that has been retained before 1 is written.

The HTRC flag is set to 1 upon completion of header transmission. Here, an interrupt is generated if the SHIE bit in the LIEn register is 1 (interrupt is enabled). To clear the bit to 0 before the next communication (the FTS bit in the LTRCn register is 1), write 0 to the bit in LIN operation mode.

(20) LIN/UART Error Status Register (LESTn)

Address: F06D3H

7	6	5	4	3	2	1	0
RPER	—	CSER	—	FER	FTER	PBER	BER
Value after reset:	0	0	0	0	0	0	0

Bit	Symbol	Bit Name	Function	R/W
0	BER	Bit Error Flag	0: Bit error has not been detected. 1: Bit error has been detected.	R/W
1	PBER	Physical Bus Error Flag	0: Physical bus error has not been detected. 1: Physical bus error has been detected.	R/W
2	FTER	Timeout Error Flag	0: Frame/response timeout error has not been detected. 1: Frame/response timeout error has been detected.	R/W
3	FER	Framing Error Flag	0: Framing error has not been detected. 1: Framing error has been detected.	R/W
4	—	Reserved	This bit is always read as 0. The write value should always be 0.	R/W
5	CSER	Checksum Error Flag	0: Checksum error has not been detected. 1: Checksum error has been detected.	R/W
6	—	Reserved	This bit is always read as 0. The write value should always be 0.	R/W
7	RPER	Response Preparation Error Flag	0: Response preparation error has not been detected. 1: Response preparation error has been detected.	R/W

The LESTn register is automatically cleared to 00H upon transition to LIN reset mode and start of the next communication (the FTS bit in the LTRCn register is 1).

In LIN reset mode, writing to this register is disabled. In LIN reset mode, the register retains 00H.

When the FTS bit in the LTRCn register is 1 (frame transmission or wake-up transmission/reception is started), do not write a value to this register.

To clear the specific bits in the register, write 0 to the bits to be cleared and write 1 to the other bits by using an 8-bit data transfer instruction.

BER flag (bit error flag)

Only 0 can be written to the BER flag; when 1 is written, the bit retains the value that has been retained before 1 is written. The BER flag is set to 1 upon bit error detection if the BERE bit in the LEDEn register is 1 (bit error detection is enabled). To clear the bit to 0 before the next communication (the FTS bit in the LTRCn register is 1), write 0 to the bit in LIN operation mode or LIN wake-up mode.

PBER flag (physical bus error flag)

Only 0 can be written to the PBER flag; when 1 is written, the bit retains the value that has been retained before 1 is written.

The PBER flag is set to 1 upon physical bus error detection if the PBERE bit in the LEDEn register is 1 (physical bus error detection is enabled). To clear the bit to 0 before the next communication (the FTS bit in the LTRCn register is 1), write 0 to the bit in LIN operation mode or LIN wake-up mode.

FTER flag (timeout error flag)

Only 0 can be written to the FTER flag; when 1 is written, the bit retains the value that has been retained before 1 is written.

The FTER flag is set to 1 upon frame timeout error or response timeout error detection if the FTERE bit in the LEDEn register is 1 (frame/response timeout error detection is enabled). To clear the bit to 0 before the next communication (the FTS bit in the LTRCn register is 1), write 0 to the bit in LIN operation mode.

FER flag (framing error flag)

Only 0 can be written to the FER flag; when 1 is written, the bit retains the value that has been retained before 1 is written. The FER flag is set to 1 upon framing error detection if the FER bit in the LEDEn register is 1 (framing error detection is enabled). To clear the bit to 0 before the next communication (the FTS bit in the LTRCn register is 1), write 0 to the bit in LIN operation mode.

CSER flag (checksum error flag)

Only 0 can be written to the CSER flag; when 1 is written, the bit retains the value that has been retained before 1 is written.

The CSER flag is set to 1 upon checksum error detection. To clear the bit to 0 before the next communication (the FTS bit in the LTRCn register is 1), write 0 to the bit in LIN operation mode.

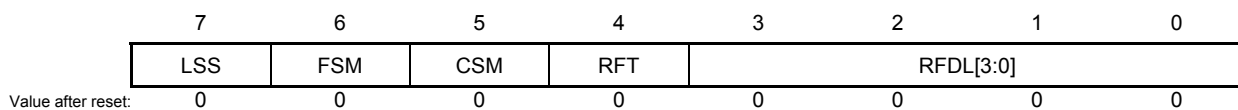
RPER flag (response preparation error flag)

Only 0 can be written to the RPER flag; when 1 is written, the bit retains the value that has been retained before 1 is written.

The RPER flag is set to 1 upon response preparation error detection. To clear the bit to 0 before the next communication (the FTS bit in the LTRCn register is 1), write 0 to the bit in LIN operation mode.

(21) LIN/UART Data Field Configuration Register (LDFCn)

Address: F06D4H



Bit	Symbol	Bit Name	Function	R/W
3 to 0	RFDL[3:0]	Response Field Length Select	b3 b0 0 0 0 0: 0 byte (+ checksum) 0 0 0 1: 1 byte (+ checksum) 0 0 1 0: 2 bytes (+ checksum) : 0 1 1 1: 7 bytes (+ checksum) 1 0 0 0: 8 bytes (+ checksum) Settings other than the above are prohibited.	R/W
4	RFT	Response Field Communication Direction Select	0: Reception 1: Transmission	R/W
5	CSM	Checksum Select	0: Classic checksum mode 1: Enhanced checksum mode	R/W
6	FSM	Frame Separate Mode Select	0: Frame separate mode is not set. 1: Frame separate mode is set.	R/W
7	LSS	Transmission/Reception Continuation Select	0: The data group to be transmitted/received next is the last one. 1: The data group to be transmitted/received next is not the last one. (Checksum is not included.)	R/W

RFDL[3:0] bits (response field length select bits)

The RFDL bits set the length of the response field data.

The data length can be 0 to 8 bytes excluding the checksum size.

To transmit response data with the FSM bit set to 0 (not frame separate mode), set the RFDL bits before header transmission (the FTS bit in the LTRCn register is 0).

To transmit response data with the FSM bit set to 1 (frame separate mode), set the RFDL bits before response transmission (the RTS bit in the LTRCn register is 0).

To receive response data, set the RFDL bits before header transmission (the FTS bit in the LTRCn register is 0).

When response data of 9 bytes or more is to be transmitted or received, set the RFDL bits before data group transmission/reception (RTS bit in the LTRCn register is 0).

During communication of response data of 9 bytes or more, only the last data group (the LSS bit is 0) includes the checksum, and no other groups (the LSS bit is 1) include the checksum.

RFT bit (response field communication direction select bit)

The RFT bits set the direction of the response field/wake-up signal communication.

With 0 set, reception is performed in the response field. In LIN wake-up mode, wake-up reception is performed (low width of the input signal is counted).

With 1 set, transmission is performed in the response field. In LIN wake-up mode, wake-up transmission is performed.

Set this bit when the FTS bit in the LTRCn register is 0 (frame transmission or wake-up transmission/reception is halted).

When response data of 9 bytes or more is to be transmitted or received, do not change the RFT bit setting after the first data group through the last data group.

CSM bit (checksum select bit)

The CSM bit sets the checksum mode.

With 0 set, classic checksum mode is selected.

With 1 set, enhanced checksum mode is selected.

When the timeout error is used (the FTERE bit in the LEDEn register is 1), the specific timeout time depends on the setting of this bit. For details of the bit error, refer to **17.4.6 Error Status**.

Set this bit when the FTS bit in the LTRCn register is 0 (frame transmission or wake-up transmission/reception is halted).

When response of 9 bytes or more is to be transmitted or received, do not change the CSM bit setting after the first data group through the last data group.

During communication of response data of 9 bytes or more, only the last data group (the LSS bit is 0) includes the checksum, and no other groups (the LSS bit is 1) include the checksum.

FSM bit (frame separate mode select bit)

The FSM bit sets the response communication mode.

With 0 set, frame separate mode is not selected. In this case, after header transmission is started (the FTS bit in the LTRCn register is 1), response is transmitted/received without the RTS bit in the LTRCn register being set.

With 1 set, frame separate mode is selected. If the RTS bit in the LTRCn register is set to 1 during header transmission, response is transmitted after successful header transmission.

For response reception (the RFT bit is 0), set the FSM bit to 0.

When causing a transition to LIN self-test mode, set this bit to 0 before transition.

For details of frame separate mode, refer to **17.4.3 (1) (a) Frame Separate Mode**.

Set this bit when the FTS bit in the LTRCn register is 0 (frame transmission or wake-up transmission/reception is halted).

When response data of 9 bytes or more is to be transmitted or received, set the FSM bit to 1.

LSS bit (transmission/reception continuation select bit)

The LSS bit shows that the next data group to be transmitted or received is not the last one when response data of 9 bytes or more is to be transmitted or received.

With 0 set, data and checksum are transmitted or received because the next data group to be transmitted or received is the last one.

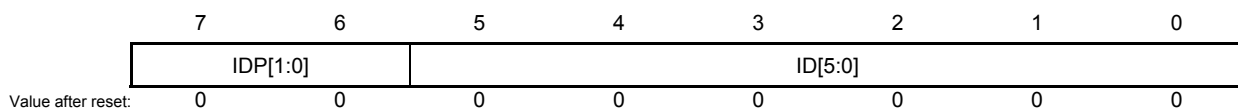
With 1 set, only data is transmitted or received, and the checksum is not included because the next data group to be transmitted or received is not the last one.

Set the LSS bit only when the FSM bit is 1 (frame separate mode) and response data of 9 bytes or more is to be transmitted or received.

Set this bit while the RTS bit in the LTRCn register is 0 (response transmission/reception stopped).

(22) LIN/UART ID Buffer Register (LIDBn)

Address: F06D5H



Bit	Symbol	Bit Name	Function	R/W
5 to 0	ID[5:0]	ID Setting	Sets the 6-bit ID value to be transmitted in the ID field.	R/W
7, 6	IDP[1:0]	Parity Setting	Sets the parity bits (P) to be transmitted in the ID field.	R/W

Set the LIDBn register when the FTS bit in the LTRCn register is 0 (frame transmission or wake-up transmission/reception is halted).

In LIN self-test mode, this register operates as follows:

Write the value to be transmitted before communication. The reversed value of the value received can be read from the register after frame transmission/reception is completed (after loopback).

For details of LIN self-test mode, refer to **17.6 LIN Self-Test Mode**.

ID bits (ID setting bits)

The ID bit sets the 6-bit ID value to be transmitted in the ID field of the LIN frame.

IDP bits (parity setting bits)

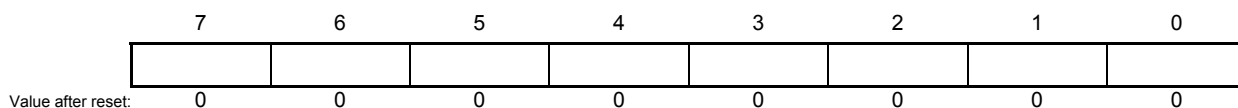
The IDP bits set the parity bits (P0 and P1) to be transmitted in the ID field of the LIN frame.

The IDP0 bit is P0 and the IDP1 bit is P1.

Since parity is not automatically calculated, set the calculation result. Note that if the erroneous result is set, it is transmitted as is.

(23) LIN Checksum Buffer Register (LCBRn)

Address: F06D6H



Bit	Function	R/W
7 to 0	Holds the checksum value transmitted or received.	R/W

In LIN mode, this register operates as follows:

- When the RFT bit in the LDFCn register is 1 (transmission):
 The value transmitted can be read from the register. Read the value after transmission is completed.
 Writing to this register is invalid.

- When the RFT bit in the LDFCn register is 0 (reception):
 The value received can be read from the register. Read the value after reception is completed.
 Writing to this register is invalid.

In LIN self-test mode, this register operates as follows:

- When the RFT bit in the LDFCn register is 1 (transmission):
 The reversed value of the value transmitted can be read from the register after frame transmission is completed (after loopback).

- When the RFT bit in the LDFCn register is 0 (reception):
 Write the value to be received before communication.
 The reversed value of the value received can be read from the register after frame transmission/reception is completed (after loopback).

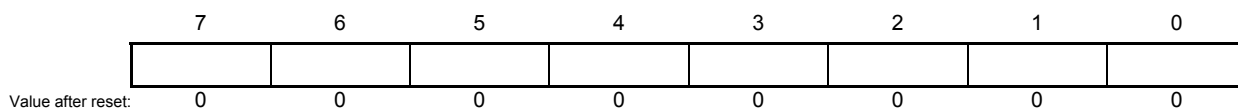
For details of LIN self-test mode, refer to **17.6 LIN Self-Test Mode**.

Set the LCBRn register when the FTS bit in the LTRCn register is 0 (frame transmission or wake-up transmission/reception is halted).

When response data of 9 bytes or more is to be transmitted or received, the checksum is appended only to the last data group; this register is not updated for the other data groups.

(24) LIN/UART Data Buffer m Register (LDBnm) (m = 1 to 8)

Address: LDBn1 F06D8H, LDBn2 F06D9H, LDBn3 F06DAH, LDBn4 F06DBH, LDBn5 F06DCH, LDBn6 F06DDH, LDBn7 F06DEH, LDBn8 F06DFH



Bit	Function	Setting Range	R/W
7 to 0	Sets the data to be transmitted or allows the received data to be read.	00H to FFH	R/W

For response transmission:

These registers set the data to be transmitted in the response field.

Use these registers with the following settings.

- RFT in LDFCn register is 1 (transmission)
- FSM in LDFCn register is 0 (not frame separate mode)
- FTS bit in LTRCn register is 0 (frame transmission or wake-up transmission/reception is halted)

or

- RFT in LDFCn register is 1 (transmission)
- FSM in LDFCn register is 1 (frame separate mode)
- RTS in LTRCn register is 0 (response transmission/reception is halted)

For response reception:

These registers hold the data received in the response field.

The received data is overwritten. If an error is detected, the data prior to reception interruption is stored in the register.

Do not read these registers when the FTS bit is 1 (frame transmission or wake-up transmission/reception is started)

For transmission of response data of 9 bytes or more:

Use these registers with the following settings.

- RFT in LDFCn register is 1 (transmission)
- FSM in LDFCn register is 1 (frame separate mode)
- RTS in LTRCn register is 0 (response transmission/reception is halted)

For reception of response data of 9 bytes or more:

Do not read these registers when the RTS bit is 1 (response transmission/reception is started).

In LIN self-test mode, these registers operate as follows:

Write the value to be transmitted before communication.

The reversed value of the value received can be read from the register after frame transmission/reception is completed (after loopback).

For details of LIN self-test mode, refer to **17.6 LIN Self-Test Mode**.

17.2.2 LIN Registers for Slave Mode

(1) Input Switch Control Register (ISC)

The ISC2 to ISC4 bits in the ISC register are used in the LIN/UART module (RLIN3).

Setting bit 2, bit 3 or bit 4 to 1 selects the input signal of the serial data input pin for the LIN/UART module as the external interrupt input.

This register can be set by a 1-bit or 8-bit memory manipulation instruction.

Reset signal generation sets this register to 00H.

Address: F0073H After reset: 00H R/W

Symbol	7	6	5	4	3	2	1	0
ISC	0	0	0	ISC4	ISC3	ISC2	0	ISC0

ISC4 ^{Note}	Switching inputs for external interrupt INTP14
0	INTP14 pin input signal is set as external interrupt input.
1	LRXD2 pin input signal is set as external interrupt input.

ISC3	Switching inputs for external interrupt INTP12
0	INTP12 pin input signal is set as external interrupt input.
1	LRXD1 pin input signal is set as external interrupt input.

ISC2	Switching inputs for external interrupt INTP11
0	INTP11 pin input signal is set as external interrupt input.
1	LRXD0 pin input signal is set as external interrupt input.

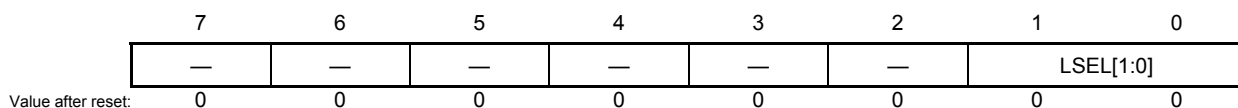
ISC0	Switching inputs for external interrupt INTP0
0	INTP0 pin input signal is set as external interrupt input. (normal operation)
1	RXD0 pin input signal is set as external interrupt input. (wake-up signal detection)

Note 144-, 100-pin only.

Caution Bits 7 to 5 and 1 should always be set to 0.
Be sure to set the ISC4 bit to 0 in 80-, 64-, 48-pin products.

(2) LIN Channel Select Register (LCHSEL)

Address: F007BH



Bit	Symbol	Bit Name	Function	R/W
1 to 0	LSEL[1:0]	LIN Channel Select	b1 b0 0 0: Selects LIN0. (LIN0 registers can be accessed.) 0 1: Selects LIN1. (LIN1 registers can be accessed.) 1 0: Selects LIN2. (LIN2 registers can be accessed.) ^{Note} Setting prohibited other than the above.	R/W
7 to 2	—	Reserved	These bits are always read as 0. The write value should always be 0.	R/W

LSEL[1:0] bits (LIN channel select bit)

Since the LIN/UART module registers are not directly mapped on the CPU memory map, they should be accessed via the register windows. The register windows are mapped on addresses F06C1H to F06E9H.

Setting a value to the LSEL[1:0] bits maps all the registers of the corresponding channel on the register window.

Setting the LSEL[1:0] bits to 00b maps the LIN0 registers.

Setting the LSEL[1:0] bits to 01b maps the LIN1 registers.

Setting the LSEL[1:0] bits to 10b maps the LIN2 registers.^{Note}

Set the LSEL[1:0] bits to the applicable value before accessing a register of the channel to use.

Note 144, 100-pin only.
 10b must not be set for other than 144, 100-pin products.

(3) Peripheral Enable Register 2 (PER2)

The PER2 register is used to enable or disable supplying the clock to the peripheral hardware. Clock supply to the hardware that is not used is also stopped so as to decrease the power consumption and noise.

To use the peripheral functions which are controlled by this register, set (1) the bit corresponding to each function before specifying the initial settings of the peripheral functions.

This register can be set by a 1-bit or 8-bit memory manipulation instruction.

Reset signal generation sets this register to 00H.

Address: F02C1H After reset: 00H R/W

Symbol	7	6	<5>	<4>	<3>	<2>	1	<0>
PER2	0	0	IEBUSEN	LIN2EN ^{Note}	LIN1EN	LIN0EN	0	CAN0EN

IEBUSEN	Control of IEBB input clock supply
0	Stops input clock supply. <ul style="list-style-type: none"> Disables writing to the SFR used by IEBB. IEBB is in the reset state.
1	Enables input clock supply. <ul style="list-style-type: none"> Enables reading from and writing to the SFR used by IEBB.

LIN2EN ^{Note}	Control of LIN2 input clock supply
0	Stops input clock supply. <ul style="list-style-type: none"> Disables writing to the SFR used by LIN2. LIN2 is in the reset state.
1	Enables input clock supply. <ul style="list-style-type: none"> Enables reading from and writing to the SFR used by LIN2.

LIN1EN	Control of LIN1 input clock supply
0	Stops input clock supply. <ul style="list-style-type: none"> Disables writing to the SFR used by LIN1. LIN1 is in the reset state.
1	Enables input clock supply. <ul style="list-style-type: none"> Enables reading from and writing to the SFR used by LIN1.

LIN0EN	Control of LIN0 input clock supply
0	Stops input clock supply. <ul style="list-style-type: none"> Disables writing to the SFR used by LIN0. LIN0 is in the reset state.
1	Enables input clock supply. <ul style="list-style-type: none"> Enables reading from and writing to the SFR used by LIN0.

CAN0EN	Control of CAN input clock supply
0	Stops input clock supply. <ul style="list-style-type: none"> Disables writing to the SFR used by CAN. CAN is in the reset state.
1	Enables input clock supply. <ul style="list-style-type: none"> Enables reading from and writing to the SFR used by CAN.

Note 144, 100-pin only.
0 must be set for other than 144, 100-pin products.

(4) LIN Clock Select Register (LINCKSEL)

This register is used to control the communication clock source supplied to the LIN.

Address: F02C3H After reset: 00H R/W

Symbol	7	<6>	<5>	<4>	3	<2>	<1>	<0>
LINCKSEL	0	LIN2MCKE Note	LIN1MCKE	LIN0MCKE	0	LIN2MCK Note	LIN1MCK	LIN0MCK

LIN2MCKE Note	Control of supplying or stopping LIN2 communication clock source
0	Stops LIN communication clock source supply.
1	Enables LIN communication clock source supply.

LIN1MCKE	Control of supplying or stopping LIN1 communication clock source
0	Stops LIN communication clock source supply.
1	Enables LIN communication clock source supply.

LIN0MCKE	Control of supplying or stopping LIN0 communication clock source
0	Stops LIN communication clock source supply.
1	Enables LIN communication clock source supply.

LIN2MCK Note	Control of selecting LIN2 communication clock source
0	Selects the f_{CLK} clock.
1	Selects the f_{MX} clock.

LIN1MCK	Control of selecting LIN1 communication clock source
0	Selects the f_{CLK} clock.
1	Selects the f_{MX} clock.

LIN0MCK	Control of selecting LIN0 communication clock source
0	Selects the f_{CLK} clock.
1	Selects the f_{MX} clock.

Note 144, 100-pin only.
0 must be set for other than 144, 100-pin products.

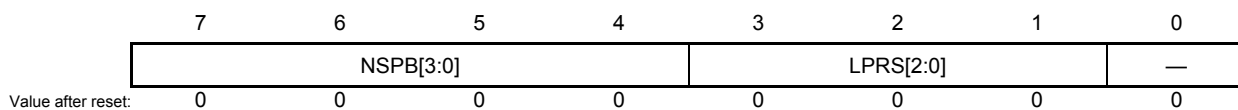
- Cautions**
1. Select the LINn operating clock with the LINnMCK bit before setting the LINnMCKE (n = 0-2) bit to 1 (operating clock is supplied).
 2. When operating LINn in SNOOZE mode, set the LINnMCK bit to 0.
 3. In case of LINnMCK is set to 1, do not used the timeout error detection.
In that case, set at least 1.2 times the frequency of the LIN communication clock source to the f_{CLK} clock.

(5) External interrupt rising edge enable registers (EGP0, EGP1), external interrupt falling edge enable registers (EGN0, EGN1)

For details, see 22.3.4 External interrupt rising edge enable registers (EGP0, EGP1), external interrupt falling edge enable registers (EGN0, EGN1).

(6) LIN Wake-up Baud Rate Select Register (LWBRn)

Address: F06C1H



Bit	Symbol	Bit Name	Function	R/W
0	—	Reserved	This bit is always read as 0. The write value should always be 0.	R/W
3 to 1	LPRS [2:0]	Prescaler Clock Select	b3 b1 0 0 0: 1/1 0 0 1: 1/2 0 1 0: 1/4 0 1 1: 1/8 1 0 0: 1/16 1 0 1: 1/32 1 1 0: 1/64 1 1 1: 1/128	R/W
7 to 4	NSPB [3:0]	Bit Sampling Count Select	b7 b4 0 0 0 0: 16 sampling 0 0 1 1: 4 sampling 0 1 1 1: 8 sampling 1 1 1 1: 16 sampling Settings other than the above are prohibited.	R/W

Set the LWBRn register when the OMM0 bit in the LMSTn register is 0 (LIN reset mode).

LPRS[2:0] bits (prescaler clock select bits)

The LPRS bits select the frequency division ratio for the prescaler.

The LIN communication clock source frequency is divided based on this prescaler.

In LIN slave mode with auto baud rate (LIN/UART mode select bits in LIN/UART mode register = 10b), set these bits according to the target baud rate so that the frequency of the prescaler clock is the corresponding value from the list.

[Target baud rate]	[Frequency of prescaler clock]
1 kbps to 20 kbps:	4 MHz ^{Note}
1 kbps to less than 2.4 kbps:	4 MHz
2.4 kbps to 20 kbps:	8 MHz to 12 MHz

Note Set the NSPB bits to 0011b (4 sampling).

NSPB[3:0] bits (bit sampling count select bits)

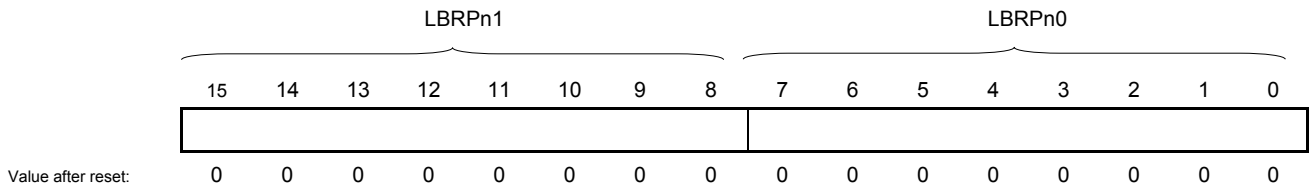
The NSPB bits select the number of sampling in one Tbit (reciprocal of the baud rate).

In LIN slave mode with auto baud rate (LIN/UART mode select bits in LIN/UART mode register = 10b), set the NSPB bits to 0011b (4 sampling) or 0111b (8 sampling).

In LIN slave mode with fixed baud rate (LIN/UART mode select bits in LIN/UART mode register = 11b), set the NSPB bits to 0000b or 1111b (16 sampling).

(7) LIN/UART Baud Rate Prescaler Register (LBRPn)

Address: F06C3H, F06C2H



Bit	Function	Setting Range	R/W
15 to 0	Assuming that the value set in this register is L (0 to 65535), the baud rate prescaler divides the frequency of the prescaler clock by L + 1.	0000H to FFFFH	R/W

Set the LBRPn register when the OMM0 bit in the LMSTn register is 0 (LIN reset mode).

Assuming that the value set in this register is L, the baud rate prescaler divides the frequency of the clock that is selected by the LPRS bits (prescaler clock select bits) in the LWBRn register by L + 1.

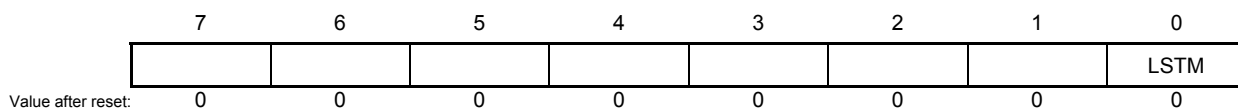
The LBRPn register can be accessed in 8-bit units using the following registers.

- Lower 8 bits: LIN/UART baud rate prescaler 0 register (LBRPn0); address F06C2H
- Upper 8 bits: LIN/UART baud rate prescaler 1 register (LBRPn1); address F06C3H

Remark When a sync field reception succeeded in LIN slave mode [auto baud rate], baud rate correction result is set to LBRPn register automatically.

(8) LIN Self-Test Control Register (LSTCn)

Address: F06C4H



Bit	Symbol	Bit Name	Function	R/W
7 to 0			Writing A7H, 58H, and 01H successively to these bits places the module into LIN self-test mode.	R/W
0	LSTM	LIN Self-Test Mode	0: The module is not in LIN self-test mode 1: The module is in LIN self-test mode.	R/W

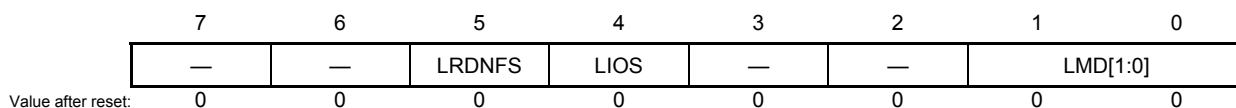
The LSTCn register cancels protection of LIN self-test mode.
 Set the LSTCn register when the OMM0 bit in the LMSTn register is 0 (LIN reset mode).
 Writing A7H, 58H, and 01H successively to the LSTCn register places the module into LIN self-test mode.
 When successive writing is completed thus placing LIN self-test mode to be entered, the LSTM bit is set to 1.
 Do not write any other value during successive writing.
 For making transition to LIN self-test mode, refer to **17.6 LIN Self-Test Mode**.
 Reading bits 6 to 1 returns 000000b, and reading bit 7 returns the undefined value.

LSTM bit (LIN self-test mode bit)

When transition to LIN self-test mode is completed, the LSTM bit is set to 1.
 For leaving LIN self-test mode, refer to **17.6 LIN Self-Test Mode**.
 Writing 1 to this bit does not affect the value of the LSTCn register if it is not a part of successive writing of A7H, 58H, and 01H.

(9) LIN/UART Mode Register (LMDn)

Address: F06C8H



Bit	Symbol	Bit Name	Function	R/W
1, 0	LMD[1:0]	LIN/UART Mode Select	b1 b0 1 0: LIN slave mode (auto baud rate) 1 1: LIN slave mode (fixed baud rate)	R/W
3, 2	—	Reserved	These bits are always read as 0. The write value should always be 0.	R/W
4	LIOS	LIN Interrupt Output Select	0: LIN interrupt is used. 1: Transmission interrupt, successful reception interrupt, and reception status interrupt are used.	R/W
5	LRDNFS	LIN Reception Data Noise Filtering Disable	0: The noise filter is enabled. 1: The noise filter is disabled.	R/W
6	—	Reserved	This bit is always read as 0. The write value should always be 0.	R/W
7	—	Reserved	This bit is always read as 0. The write value should always be 0.	R/W

Set the LMDn register when the OMM0 bit in the LMSTn register is 0 (LIN reset mode).

LMD[1:0] bits (LIN/UART mode select bits)

The LMD bits select the LIN/UART module mode.

To use the LIN/UART module as a LIN slave, set these bits to 10b or 11b.

With 10b set, the LIN/UART module operates in LIN slave mode with auto baud rate.

With 11b set, the LIN/UART module operates in LIN slave mode with fixed baud rate.

LIOS bit (LIN interrupt output select bit)

The LIOS bit selects the number of interrupt outputs from the LIN/UART module.

With 0 set, the LIN interrupt is generated from the LIN/UART module.

With 1 set, the transmission interrupt, successful reception interrupt, and reception status interrupt are generated from the LIN/UART module.

For each interrupt source, refer to **17.9 Interrupts**.

LRDNFS bit (LIN reception data noise filtering disable bit)

The LRDNFS bit enables or disables the noise filter when receiving data.

With 0 set, the noise filter is enabled when receiving data.

With 1 set, the noise filter is disabled when receiving data.

(10) LIN Break Field Configuration Register/UART Configuration Register (LBFCn)

Address: F06C9H

	7	6	5	4	3	2	1	0
	—	—	—	—	—	—	—	BLT
Value after reset:	0	0	0	0	0	0	0	0

Bit	Symbol	Bit Name	Function	R/W
0	BLT	Reception Break (Low) Width Select	0: Reception break (low width) of 9.5/10 or more Tbits is detected. 1: Reception break (low width) of 10.5/11 or more Tbits is detected.	R/W
6 to 1	—	Reserved	These bits are always read as 0. The write value should always be 0.	R/W
7	—	Reserved	This bit is always read as 0. The write value should always be 0.	R/W

Set the LBFCn register when the OMM0 bit in the LMSTn register is 0 (LIN reset mode).

BLT bit (reception break (low) width select bit)

The BLT bit sets the critical low width of the received data to be determined as break.

In LIN slave mode with auto baud rate (the LMD bits in the LMDn register are 10b):

With 0 set, the low width of 10 or more Tbits is detected.

With 1 set, the low width of 11 or more Tbits is detected.

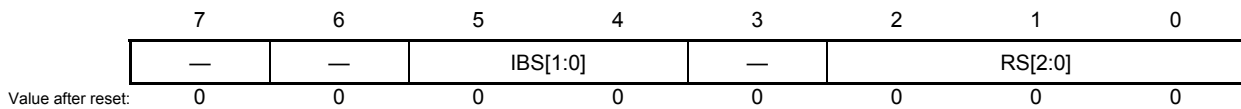
In LIN slave mode with fixed baud rate (the LMD bits in the LMDn register are 11b):

With 0 set, the low width of 9.5 or more Tbits is detected.

With 1 set, the low width of 10.5 or more Tbits is detected.

(11) LIN/UART Space Configuration Register (LSCn)

Address: F06CAH



Bit	Symbol	Bit Name	Function	R/W
2 to 0	RS[2:0]	Response Space Select	b2 b0 0 0 0: 0 Tbit 0 0 1: 1 Tbit 0 1 0: 2 Tbits 0 1 1: 3 Tbits 1 0 0: 4 Tbits 1 0 1: 5 Tbits 1 1 0: 6 Tbits 1 1 1: 7 Tbits	R/W
3	—	Reserved	This bit is always read as 0. The write value should always be 0.	R/W
5, 4	IBS[1:0]	Inter-Byte Space Select	b5 b4 0 0: 0 Tbit 0 1: 1 Tbit 1 0: 2 Tbits 1 1: 3 Tbits	R/W
7, 6	—	Reserved	These bits are always read as 0. The write value should always be 0.	R/W

Set the LSCn register when the OMM0 bit in the LMSTn register is 0 (LIN reset mode).

Setting is enabled only during response transmission; setting is disabled during response reception.

Some combinations of the set values result in the length of a frame or a response exceeding the timeout time. Set the appropriate values in this register.

RS[2:0] bits (response space select bits)

The RS bits set the width of the response space of the response transmission.

0 Tbit to 7 Tbits can be set.

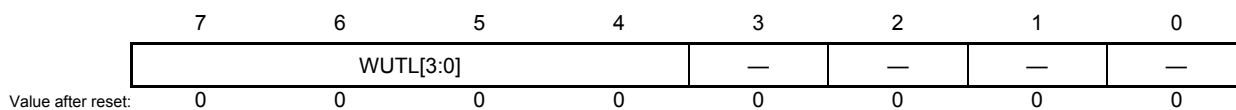
IBS[1:0] bits (inter-byte space select bits)

The IBS bits set the width of the inter-byte space of the response transmission.

0 Tbit to 3 Tbits can be set.

(12) LIN Wake-up Configuration Register (LWUPn)

Address: F06CBH



Bit	Symbol	Bit Name	Function	R/W
3 to 0	—	Reserved	These bits are always read as 0. The write value should always be 0.	R/W
7 to 4	WUTL[3:0]	Wake-up Transmission Low Width Select	b7 b4 0 0 0 0: 1 Tbit 0 0 0 1: 2 Tbits 0 0 1 0: 3 Tbits 0 0 1 1: 4 Tbits : 1 1 0 0: 13 Tbits 1 1 0 1: 14 Tbits 1 1 1 0: 15 Tbits 1 1 1 1: 16 Tbits	R/W

Set the LWUPn register when the OMM0 bit in the LMSTn register is 0 (LIN reset mode).

WUTL[3:0] bits (wake-up transmission low width select bits)

The WUTL bits set the low width of the wake-up frame transmission.

1 Tbit to 16 Tbits can be set.

(13) LIN Interrupt Enable Register (LIEn)

Address: F06CCH

	7	6	5	4	3	2	1	0
	—	—	—	—	SHIE	ERRIE	FRCIE	FTCIE
Value after reset:	0	0	0	0	0	0	0	0

Bit	Symbol	Bit Name	Function	R/W
0	FTCIE	Successful Frame/Wake-up Transmission Interrupt Enable	0: Disables successful response/wake-up transmission interrupt. 1: Enables successful response/wake-up transmission interrupt.	R/W
1	FRCIE	Successful Frame/Wake-up Reception Interrupt Enable	0: Disables successful response/wake-up reception interrupt. 1: Enables successful response/wake-up reception interrupt.	R/W
2	ERRIE	Error Detection Interrupt Enable	0: Disables error detection interrupt. 1: Enables error detection interrupt.	R/W
3	SHIE	Successful Header Reception Interrupt Enable	0: Disables successful header reception interrupt. 1: Enables successful header reception interrupt.	R/W
7 to 4	—	Reserved	These bits are always read as 0. The write value should always be 0.	R/W

Set the LIEn register when the OMM0 bit in the LMSTn register is 0 (LIN reset mode).

FTCIE bit (successful frame/wake-up transmission interrupt enable bit)

The FTCIE bit enables or disables interrupt generation upon successful transmission of a response or a wake-up signal. With 0 set, the interrupt is not generated when the FTC flag in the LSTn register is set to 1. With 1 set, the interrupt is generated when the FTC flag in the LSTn register is set to 1.

FRCIE bit (successful frame/wake-up reception interrupt enable bit)

The FRCIE bit enables or disables interrupt generation upon successful reception of a response or a wake-up signal (counting of low width of the input signal). With 0 set, the interrupt is not generated when the FRC flag in the LSTn register is set to 1. With 1 set, the interrupt is generated when the FRC flag in the LSTn register is set to 1.

ERRIE bit (error detection interrupt enable bit)

The ERRIE bit enables or disables interrupt generation upon detection of an error. With 0 set, the interrupt is not generated when the ERR flag in the LSTn register is set to 1. With 1 set, the interrupt is generated when the ERR flag in the LSTn register is set to 1. Interrupt sources can be the bit error, frame/response timeout error, framing error, sync field error, checksum error, ID parity error, and response preparation error. Detection of the bit error, frame/response timeout error, framing error, sync field error, and ID parity error can be enabled or disabled using the LEDEn register.

SHIE bit (successful header reception interrupt enable bit)

The SHIE bit enables or disables interrupt generation upon successful transmission of a header. With 0 set, the interrupt is not generated when the HTRC flag in the LSTn register is set to 1. With 1 set, the interrupt is generated when the HTRC flag in the LSTn register is set to 1.

(14) LIN/UART Error Detection Enable Register (LEDEn)

Address: F06CDH

	7	6	5	4	3	2	1	0
	LTES	IPERE	—	SFERE	FERE	TERE	—	BERE
Value after reset:	0	0	0	0	0	0	0	0

Bit	Symbol	Bit Name	Function	R/W
0	BERE	Bit Error Detection Enable	0: Disables bit error detection. 1: Enables bit error detection.	R/W
1	—	Reserved	This bit is always read as 0. The write value should always be 0.	R/W
2	TERE	Timeout Error Detection Enable	0: Disables frame/response timeout error detection. 1: Enables frame/response timeout error detection.	R/W
3	FERE	Framing Error Detection Enable	0: Disables framing error detection. 1: Enables framing error detection.	R/W
4	SFERE	Sync Field Error Detection Enable	0: Disables sync field error detection. 1: Enables sync field error detection.	R/W
5	—	Reserved	This bit is always read as 0. The write value should always be 0.	R/W
6	IPERE	ID Parity Error Detection Enable	0: Disables ID parity error detection. 1: Enables ID parity error detection.	R/W
7	LTES	Timeout Error Select	0: Frame timeout error 1: Response timeout error	R/W

Set the LEDEn register when the OMM0 bit in the LMSTn register is 0 (LIN reset mode).

BERE bit (bit error detection enable bit)

The BERE bit enables or disables detection of the bit error.

Set 1(the bit error detection enables) to this bit.

The bit error detection result of the bit error is indicated in the BER flag in the LESTn register.

For details of the bit error, refer to **17.4.6 Error Status**.

TERE bit (timeout error detection enable bit)

The TER bit enables or disables detection of the frame timeout error or the response timeout error.

With 0 set, the frame timeout error or response timeout error is not detected.

With 1 set, the frame timeout error or response timeout error is detected.

When this bit is set to 1, the detection result is indicated in the TER flag in the LESTn register.

With the LTES bit, either the frame timeout error or response timeout error can be selected.

Do not use the timeout error in LIN slave mode with auto baud rate (LIN/UART mode select bits in LIN/UART mode register = 10b).

Do not use the timeout error if response data of 9 bytes or more is to be transmitted or received.

For details of the timeout error, refer to **17.4.6 Error Status**.

FERE bit (framing error detection enable bit)

The FERE bit enables or disables detection of the framing error.

Set 1(the framing error detection enables) to this bit.

The framing error detection result is indicated in the FER flag in the LESTn register.

For details of the framing error, refer to **17.4.6 Error Status**.

SFERE bit (sync field error detection enable bit)

The SFERE bit enables or disables detection of the sync field error.

With 0 set, the sync field error is not detected.

With 1 set, the sync field error is detected.

Upon detection of the sync field error, the system is placed in the next header wait state, irrespective of the setting of this bit.

When this bit is set to 1, the detection result is indicated in the SFER flag in the LESTn register.

For details of the sync field error, refer to **17.4.6 Error Status**.

IPERE bit (ID parity error detection enable bit)

The IPERE bit enables or disables detection of the ID parity error.

With 0 set, the ID parity error is not detected.

With 1 set, the ID parity error is detected.

When this bit is set to 1, the detection result is indicated in the IPER flag in the LESTn register.

For details of the ID parity error, refer to **17.4.6 Error Status**.

LTES bit (timeout error select bit)

The LTES bit selects the specific timeout function to be used.

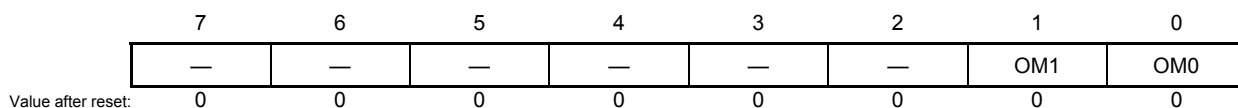
With 0 set, the timeout function applies to frame timeout.

With 1 set, the timeout function applies to response timeout.

For details of the timeout error, refer to **17.4.6 Error Status**.

(15) LIN/UART Control Register (LCUCn)

Address: F06CEH



Bit	Symbol	Bit Name	Function	R/W
0	OM0	LIN Reset	0: LIN reset mode is caused. 1: LIN reset mode is canceled.	R/W
1	OM1	LIN Mode Select	0: LIN wake-up mode is caused. 1: LIN operation mode is caused.	R/W
7 to 2	—	Reserved	These bits are always read as 0. The write value should always be 0.	R/W

Set the LCUCn register to 01H to cause a transition to LIN wake-up mode after canceling LIN reset mode, and set the LCUCn register to 03H to cause a transition to LIN operation mode.

In LIN self-test mode, set the LCUCn register to 03H after a transition to LIN self-test mode is completed.

When the LIN/UART module makes a transition from the LIN operating mode to the LIN reset mode while operating as a LIN slave (at a fixed baud rate), write 1 to the LIN0EN bit (or the LIN1EN bit) in the PER2 register after having cleared the given bit to 0.

After a value is written to this register, confirm that the value written is actually indicated in the LMSTn register before writing another value.

OM0 bit (LIN reset bit)

The OM0 bit selects either causing a transition to LIN reset mode or canceling LIN reset mode.

With 0 set, LIN reset mode is caused.

With 1 set, LIN reset mode is canceled.

OM1 bit (LIN mode select bit)

The OM1 bit selects the specific operation mode (either LIN wake-up mode or LIN operation mode) after canceling LIN reset mode.

With 0 set, LIN wake-up mode is caused.

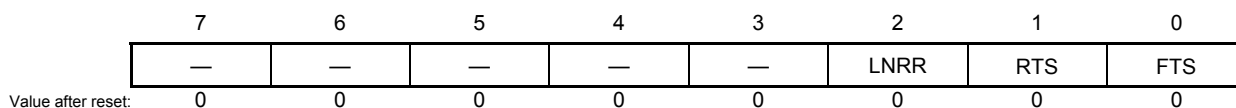
With 1 set, LIN operation mode is caused.

This register is valid only when the OMM0 bit in the LMSTn register is 1.

Writing a value to this bit is disabled while the FTS bit in the LTRCn register is 1.

(16) LIN/UART Transmission Control Register (LTRCn)

Address: F06D0H



Bit	Symbol	Bit Name	Function	R/W
0	FTS	LIN Communication Start	0: Header reception or wake-up transmission/reception is stopped. 1: Header reception or wake-up transmission/reception is started.	R/W
1	RTS	Response Transmission/Reception Start	0: Response transmission/reception is stopped. 1: Response transmission/reception is started.	R/W
2	LNRR	No-Response Request	0: Response to the reception ID is received/transmitted. 1: Response to the reception ID is not received/transmitted.	R/W
7 to 3	—	Reserved	These bits are always read as 0. The write value should always be 0.	R/W

FTS bit (LIN communication start bit)

Set the FTS bit to 1 to start header or wake-up reception (counting of the low width of the input signal).

Also set this bit to 1 to allow wake-up transmission.

Only 1 can be written to this bit; 0 cannot be written.

Writing a value to this bit is disabled when the OMM0 bit in the LMSTn register is 0 (LIN reset mode).

This bit is set to 0 upon completion of wake-up transmission/reception and transition to LIN reset mode.

RTS bit (response transmission/reception start bit)

Set the RTS bit to 1 when response transmission/reception is started after the header is received and the received ID is checked. Once set, this bit is automatically cleared to 0 upon completion of response communication or transition to LIN reset mode.

Only 1 can be written to this bit; 0 cannot be written.

To write 1 to this bit, write 02H to the LTRCn register by using an 8-bit data transfer instruction.

Do not set this bit and the LNRR bit to 1 simultaneously.

Writing a value to this bit is disabled when the OMM0 bit in the LMSTn register is 0 (LIN reset mode).

Writing a value to this bit is disabled when the FTS bit is 0 (header reception or wake-up transmission/reception is stopped).

When response data of 9 bytes or more is to be transmitted or received, set this bit to 1 each time a data group (variable from 0 to 8 bytes) is transmitted or received. Once set, this bit is automatically cleared to 0 upon completion of data group transmission/reception or transition to LIN reset mode.

LNRR bit (no-response request bit)

Set the LNRR bit to 1 when neither response transmission nor reception is started after the header is received and the received ID is checked.

Once set, this bit is automatically cleared to 0 upon detection of the new sync field or transition to LIN reset mode.

Only 1 can be written to this bit; 0 cannot be written.

To write 1 to this bit, write 04H to the LTRCn register by using an 8-bit data transfer instruction.

Do not set this bit and the RTS bit to 1 simultaneously.

Writing a value to this bit is disabled when the OMM0 bit in the LMSTn register is 0 (LIN reset mode).

Writing a value to this bit is disabled when the FTS bit is 0 (header reception or wake-up transmission/reception is stopped).

When a 9-byte or longer response is to be transmitted or received, do not use this bit other than on completion of header reception (do not use this bit on completion of the second and subsequent data groups).

(17) LIN/UART Mode Status Register (LMSTn)

Address: F06D1H

7	6	5	4	3	2	1	0
—	—	—	—	—	—	OMM1	OMM0
Value after reset:	0	0	0	0	0	0	0

Bit	Symbol	Bit Name	Function	R/W
0	OMM0	LIN Reset Status Monitor	0: The module is in LIN reset mode. 1: The module is not in LIN reset mode.	R
1	OMM1	LIN Mode Status Monitor	0: The module is in LIN wake-up mode. 1: The module is in LIN operation mode.	R
7 to 2	—	Reserved	These bits are always read as 0. The write value should always be 0.	R/W

OMM0 bit (LIN reset status monitor)**OMM1 bit (LIN mode status monitor)**

The OMM0 and OMM1 bits indicate the current operation mode.

(18) LIN/UART Status Register (LSTn)

Address: F06D2H

	7	6	5	4	3	2	1	0
	HTRC	D1RC	—	—	ERR	—	FRC	FTC
Value after reset:	0	0	0	0	0	0	0	0

Bit	Symbol	Bit Name	Function	R/W
0	FTC	Successful Frame/Wake-up Transmission Flag	0: Response or wake-up transmission has not been completed. 1: Response or wake-up transmission has been completed.	R/W
1	FRC	Successful Frame/Wake-up Reception Flag	0: Response or wake-up reception has not been completed. 1: Response or wake-up reception has been completed.	R/W
2	—	Reserved	This bit is always read as 0. The write value should always be 0.	R/W
3	ERR	Error Detection Flag	0: No error has been detected. 1: Error has been detected.	R
4, 5	—	Reserved	These bits are always read as 0. The write value should always be 0.	R/W
6	D1RC	Successful Data 1 Reception Flag	0: Data 1 reception has not been completed. 1: Data 1 reception has been completed.	R/W
7	HTRC	Successful Header Reception Flag	0: Header reception has not been completed. 1: Header reception has been completed.	R/W

The LSTn register is automatically cleared to 00H upon transition to LIN reset mode.

In LIN reset mode, writing to this register is disabled. In LIN reset mode, the register retains 00H.

To clear the specific bits in the register, write 0 to the bits to be cleared and write 1 to the other bits by using an 8-bit data transfer instruction.

FTC flag (successful frame/wake-up transmission flag)

Only 0 can be written to the FTC flag; when 1 is written, the bit retains the value that has been retained before 1 is written. The FTC flag is set to 1 upon completion of response or wake-up transmission. Here, an interrupt is generated if the FTCIE bit in the LIEn register is 1 (interrupt is enabled). Note that when the response or wake-up transmission is completed with the FTC flag set to 1, an interrupt is not generated. To clear the bit to 0, write 0 to the bit.

When response data of 9 bytes or more is to be transmitted, this bit is set to 1 each time a data group (variable from 0 to 8 bytes) is transmitted. Write 0 before starting transmission of the next data group.

FRC flag (successful frame/wake-up reception flag)

Only 0 can be written to the FRC flag; when 1 is written, the bit retains the value that has been retained before 1 is written. The FRC flag is set to 1 upon completion of response or wake-up reception. Here, an interrupt is generated if the FRCIE bit in the LIEn register is 1 (interrupt is enabled). Note that when the response or wake-up reception is completed with the FRC flag set to 1, an interrupt is not generated. To clear the bit to 0, write 0 to the bit.

When response data of 9 bytes or more is to be received, this bit is set to 1 each time a data group (variable from 0 to 8 bytes) is received. Write 0 before starting reception of the next data group.

ERR flag (error detection flag)

The ERR flag is set to 1 upon detection of an error (any of the LESTn register flags is 1). Here, an interrupt is generated if the ERRIE bit in the LIEn register is 1 (interrupt is enabled). Note that when an error is detected with the ERR flag set to 1, an interrupt is not generated. To clear the bit to 0, write 0 to the RPER, IPER, CSER, SFER, FER, TER, and BER flags in the LESTn register. This clears the ERR flag to 0.

D1RC flag (successful data 1 reception flag)

Only 0 can be written to the D1RC flag; when 1 is written, the bit retains the value that has been retained before 1 is written.

The D1RC flag is set to 1 upon completion of data 1 reception. Here, an interrupt is not generated. To clear the bit to 0, write 0 to the bit.

When response data of 9 bytes or more is to be received, this bit is set to 1 each time data 1 of a data group (variable from 0 to 8 bytes) is received. Write 0 before starting reception of the next data group.

HTRC flag (successful header transmission flag)

Only 0 can be written to the HTRC flag; when 1 is written, the bit retains the value that has been retained before 1 is written.

The HTRC flag is set to 1 upon completion of header transmission. Here, an interrupt is generated if the SHIE bit in the LIEn register is 1 (interrupt is enabled). Note that when header reception is completed with the HTRC flag set to 1, an interrupt is not generated. To clear the bit to 0, write 0 to the bit.

After the reception of a header, clear this bit after reading it as 1 so that a new header will be detectable.

(19) LIN/UART Error Status Register (LESTn)

Address: F06D3H

	7	6	5	4	3	2	1	0
	RPER	IPER	CSER	SFER	FER	TER	—	BER
Value after reset:	0	0	0	0	0	0	0	0

Bit	Symbol	Bit Name	Function	R/W
0	BER	Bit Error Flag	0: Bit error has not been detected. 1: Bit error has been detected.	R/W
1	—	Reserved	This bit is always read as 0. The write value should always be 0.	R/W
2	TER	Timeout Error Flag	0: Frame/response timeout error has not been detected. 1: Frame/response timeout error has been detected.	R/W
3	FER	Framing Error Flag	0: Framing error has not been detected. 1: Framing error has been detected.	R/W
4	SFER	Sync Field Error Flag	0: Sync field error has not been detected. 1: Sync field error has been detected.	R/W
5	CSER	Checksum Error Flag	0: Checksum error has not been detected. 1: Checksum error has been detected.	R/W
6	IPER	ID Parity Error Flag	0: ID parity error has not been detected. 1: ID parity error has been detected.	R/W
7	RPER	Response Preparation Error Flag	0: Response preparation error has not been detected. 1: Response preparation error has been detected.	R/W

The LESTn register is automatically cleared to 00H upon transition to LIN reset mode.

In LIN reset mode, writing to this register is disabled. In LIN reset mode, the register retains 00H.

To clear the specific bits in the register, write 0 to the bits to be cleared and write 1 to the other bits by using an 8-bit data transfer instruction.

BER flag (bit error flag)

Only 0 can be written to the BER flag; when 1 is written, the bit retains the value that has been retained before 1 is written. The BER flag is set to 1 upon bit error detection if the BERE bit in the LEDEn register is 1 (bit error detection is enabled). To clear the bit to 0, write 0 to the bit.

TER flag (timeout error flag)

Only 0 can be written to the TER flag; when 1 is written, the bit retains the value that has been retained before 1 is written. The TER flag is set to 1 upon frame timeout error or response timeout error detection if the TERE bit in the LEDEn register is 1 (frame/response timeout error detection is enabled). To clear the bit to 0, write 0 to the bit.

FER flag (framing error flag)

Only 0 can be written to the FER flag; when 1 is written, the bit retains the value that has been retained before 1 is written. The FER flag is set to 1 upon framing error detection if the FERE bit in the LEDEn register is 1 (framing error detection is enabled). To clear the bit to 0, write 0 to the bit.

SFER flag (sync field error flag)

Only 0 can be written to the SFER flag; when 1 is written, the bit retains the value that has been retained before 1 is written.

The SFER flag is set to 1 upon sync field error detection if the SFERE bit in the LEDEn register is 1 (sync field error detection is enabled). To clear the bit to 0, write 0 to the bit.

CSER flag (checksum error flag)

Only 0 can be written to the CSER flag; when 1 is written, the bit retains the value that has been retained before 1 is written.

The CSER flag is set to 1 upon checksum error detection. To clear the bit to 0, write 0 to the bit.

IPEP flag (ID parity error flag)

Only 0 can be written to the IPEP flag; when 1 is written, the bit retains the value that has been retained before 1 is written.

The IPEP flag is set to 1 upon ID parity error detection if the IPEP bit in the LEDEN register is 1 (ID parity error detection is enabled). To clear the bit to 0, write 0 to the bit.

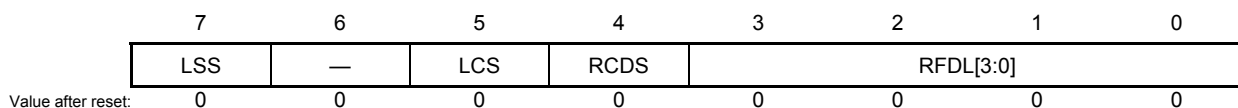
RPER flag (response preparation error flag)

Only 0 can be written to the RPER flag; when 1 is written, the bit retains the value that has been retained before 1 is written.

The RPER flag is set to 1 upon response preparation error detection. To clear the bit to 0, write 0 to the bit.

(20) LIN/UART Data Field Configuration Register (LDFCn)

Address: F06D4H



Bit	Symbol	Bit Name	Function	R/W
3 to 0	RFDL[3:0]	Response Field Length Select	b3 b0 0 0 0 0: 0 byte (+ checksum) 0 0 0 1: 1 byte (+ checksum) 0 0 1 0: 2 bytes (+ checksum) : 0 1 1 1: 7 bytes (+ checksum) 1 0 0 0: 8 bytes (+ checksum) Settings other than the above are prohibited.	R/W
4	RCDS	Response Field Communication Direction Select	0: Reception 1: Transmission	R/W
5	LCS	Checksum Select	0: Classic checksum mode 1: Enhanced checksum mode	R/W
6	—	Reserved	This bit is always read as 0. The write value should always be 0.	R/W
7	LSS	Transmission/Reception Continuation Select	0: The data group to be transmitted/received next is the last one. 1: The data group to be transmitted/received next is not the last one. (Data transmission/reception is continued without waiting for the next header reception.)	R/W

RFDL[3:0] bits (response field length select bits)

The RFDL bits set the length of the response field data.
 The data length can be 0 to 8 bytes excluding the checksum size.
 Set these bits when the RTS bit is 0 (response transmission/reception stopped).

When response data of 9 bytes or more is to be transmitted and received, only the last data group (the LSS bit is 0) includes the checksum, and no other groups (the LSS bit is 1) include the checksum.

RCDS bit (response field communication direction select bit)

The RCDS bit sets the direction of the response field/wake-up signal communication.
 With 0 set, reception is performed in the response field. In LIN wake-up mode, wake-up reception is performed (low width of the input signal is counted).
 With 1 set, transmission is performed in the response field. In LIN wake-up mode, wake-up transmission is performed.
 When the module is in the LIN operating mode, set this bit while the RTS bit in the LTRCn register is 0 (response transmission/reception stopped). When the module is in the LIN wakeup mode, set this bit while the FTS bit in the LTRCn register is 0 (header reception or wake-up transmission/reception stopped).

When response data of 9 bytes or more is to be transmitted or received, do not change the RCDS bit setting after the first data group through the last data group.

LCS bit (checksum select bit)

The LCS bit sets the checksum mode.

With 0 set, classic checksum mode is selected.

With 1 set, enhanced checksum mode is selected.

When the timeout error is used (the TERE bit in the LEDEn register is 1), the specific timeout time depends on the setting of this bit. For details, refer to **17.4.6 Error Status**.

Do not set this bit to 1 (enhanced mode) when the response field is 0 bytes long (the RFDL bit is 0).

When response of 9 bytes or more is to be transmitted or received, do not change the LCS bit setting after the first data group through the last data group.

During communication of response data of 9 bytes or more, only the last data group (the LSS bit is 0) includes the checksum, and no other groups (the LSS bit is 1) include the checksum.

Set this bit while the RTS bit in the LTRCn register is 0 (response transmission/reception stopped).

LSS bit (transmission/reception continuation select bit)

The LSS bit shows that the next data group to be transmitted or received is not the last one.

With 0 set, data and checksum are transmitted or received because the next data group to be transmitted or received is the last one.

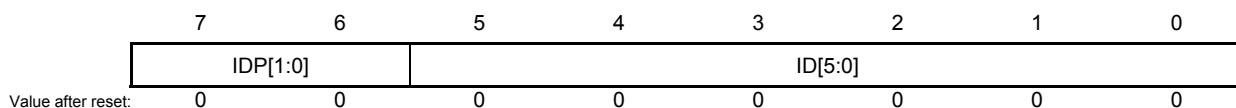
With 1 set, only data is transmitted or received, and the checksum is not included because the next data group to be transmitted or received is not the last one.

During LIN communication, do not set this bit to 1.

Set this bit while the RTS bit in the LTRCn register is 0 (response transmission/reception stopped).

(21) LIN/UART ID Buffer Register (LIDBn)

Address: F06D5H



Bit	Symbol	Bit Name	Function	R/W
5 to 0	ID[5:0]	ID	Holds the 6-bit ID value received in the ID field.	R/W
7, 6	IDP[1:0]	Parity	Holds the parity bits (P) received in the ID field.	R/W

Writing to the LIDBn register is enabled upon completion of header reception. In LIN mode (LIN operation mode or LIN wake-up mode), writing is disabled.

In LIN self-test mode, this register operates as follows:

Write the value to be transmitted before communication. The reversed value of the value received can be read from the register after frame transmission/reception is completed (after loopback).

For details of LIN self-test mode, refer to **17.6 LIN Self-Test Mode**.

ID[5:0] bits (ID bits)

The ID bits hold the 6-bit ID value received in the ID field of the LIN frame.

IDP[1:0] bits (parity bits)

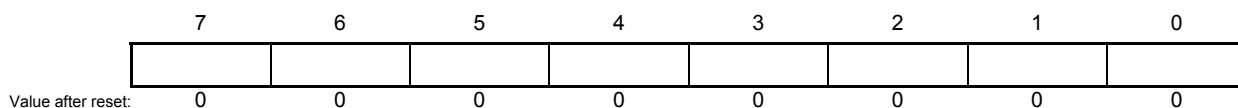
The IDP bits hold the parity bits (P0 and P1) received in the ID field of the LIN frame.

The IDP0 bit is P0 and the IDP1 bit is P1.

When the IPERE bit in the LEDEn register is 1 (ID parity detection is enabled), the received value is checked against the internally pre-calculated value, and if they do not agree, the IPER bit (ID parity error flag) is set.

(22) LIN Checksum Buffer Register (LCBRn)

Address: F06D6H



Bit	Function	R/W
7 to 0	Holds the checksum value transmitted or received.	R/W

In LIN mode, this register operates as follows:

- When the RCDS bit in the LDFCn register is 1 (transmission):
The value transmitted can be read from the register. Writing to this register is invalid.
- When the RCDS bit in the LDFCn register is 0 (reception):
The value received can be read from the register. Writing to this register is invalid.

When response data of 9 bytes or more is to be transmitted or received, the checksum is appended only to the last data group; this register is not updated for the other data groups.

In LIN self-test mode, this register operates as follows:

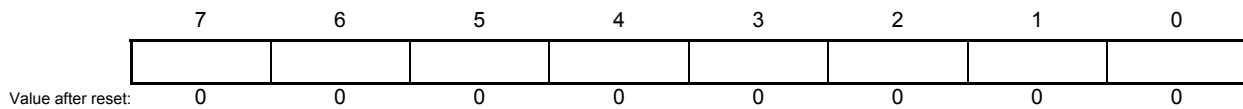
- When the RCDS bit in the LDFCn register is 1 (transmission):
The reversed value of the value received can be read from the register after frame transmission is completed (after loopback).
- When the RCDS bit in the LDFCn register is 0 (reception):
Write the value to be received before communication. The reversed value of the value received can be read from the register after frame transmission/reception is completed (after loopback).

For details of LIN self-test mode, refer to **17.6 LIN Self-Test Mode**.

Set the LCBRn register when the FTS bit in the LTRCn register is 0 (frame transmission or wake-up transmission/reception is halted).

(23) LIN/UART Data Buffer m Register (LDBnm) (m = 1 to 8)

Address: LDBn1 F06D8H, LDBn2 F06D9H, LDBn3 F06DAH, LDBn4 F06DBH, LDBn5 F06DCH, LDBn6 F06DDH, LDBn7 F06DEH, LDBn8 F06DFH



Bit	Function	Setting Range	R/W
7 to 0	Sets the data to be transmitted or allows the received data to be read.	00H to FFH	R/W

For response transmission:

These registers set the data to be transmitted in the response field.

Set these registers when the RTS bit is 0 (response reception/transmission is halted).

For response reception:

These registers hold the data received in the response field.

The received data is overwritten. If an error is detected, the data prior to reception interruption is stored in the register.

Do not read these registers when the RTS bit is 1 (response transmission/reception is started)

In LIN self-test mode, this register operates as follows:

Write the value to be transmitted before communication. The reversed value of the value received can be read from the register after frame transmission/reception is completed (after loopback).

For details of LIN self-test mode, refer to **17.6 LIN Self-Test Mode**.

17.2.3 Registers for UART

(1) Input Switch Control Register (ISC)

The ISC2 to ISC4 bits in the ISC register are used in the LIN/UART module (RLIN3).

Setting bit 2, bit 3 or bit 4 to 1 selects the input signal of the serial data input pin for the LIN/UART module as the external interrupt input.

This register can be set by a 1-bit or 8-bit memory manipulation instruction.

Reset signal generation sets this register to 00H.

Address: F0073H After reset: 00H R/W

Symbol	7	6	5	4	3	2	1	0
ISC	0	0	0	ISC4	ISC3	ISC2	0	ISC0

ISC4 ^{Note}	Switching inputs for external interrupt INTP14
0	INTP14 pin input signal is set as external interrupt input.
1	LRXD2 pin input signal is set as external interrupt input.

ISC3	Switching inputs for external interrupt INTP12
0	INTP12 pin input signal is set as external interrupt input.
1	LRXD1 pin input signal is set as external interrupt input.

ISC2	Switching inputs for external interrupt INTP11
0	INTP11 pin input signal is set as external interrupt input.
1	LRXD0 pin input signal is set as external interrupt input.

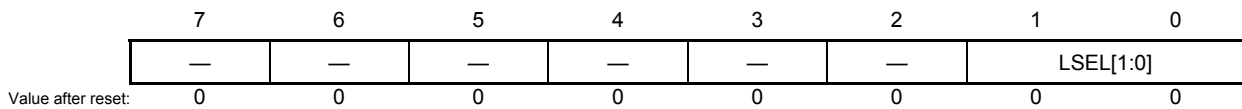
ISC0	Switching inputs for external interrupt INTP0
0	INTP0 pin input signal is set as external interrupt input. (normal operation)
1	RXD0 pin input signal is set as external interrupt input. (wake-up signal detection)

Note 144-, 100-pin only.

Caution Bits 7 to 5 and 1 should always be set to 0.
Be sure to set the ISC4 bit to 0 in 80-, 64-, 48-pin products.

(2) LIN Channel Select Register (LCHSEL)

Address: F007BH



Bit	Symbol	Bit Name	Function	R/W
1 to 0	LSEL[1:0]	LIN Channel Select	b1 b0 0 0: Selects LIN0. (LIN0 registers can be accessed.) 0 1: Selects LIN1. (LIN1 registers can be accessed.) 1 0: Selects LIN2. (LIN2 registers can be accessed.) ^{Note} Setting prohibited other than the above.	R/W
7 to 2	—	Reserved	These bits are always read as 0. The write value should always be 0.	R/W

LSEL[1:0] bits (LIN channel select bit)

Since the LIN/UART module registers are not directly mapped on the CPU memory map, they should be accessed via the register windows. The register windows are mapped on addresses F06C1H to F06E9H.

Setting a value to the LSEL[1:0] bits maps all the registers of the corresponding channel on the register window.

Setting the LSEL[1:0] bits to 00b maps the LIN0 registers.

Setting the LSEL[1:0] bits to 01b maps the LIN1 registers.

Setting the LSEL[1:0] bits to 10b maps the LIN2 registers.^{Note}

Set the LSEL[1:0] bits to the applicable value before accessing a register of the channel to use.

Note 144, 100-pin only.

10b must not be set for other than 144, 100-pin products.

(3) Peripheral Enable Register 2 (PER2)

The PER2 register is used to enable or disable supplying the clock to the peripheral hardware. Clock supply to the hardware that is not used is also stopped so as to decrease the power consumption and noise.

To use the peripheral functions which are controlled by this register, set (1) the bit corresponding to each function before specifying the initial settings of the peripheral functions.

This register can be set by a 1-bit or 8-bit memory manipulation instruction.

Reset signal generation sets this register to 00H.

Address: F02C1H After reset: 00H R/W

Symbol	7	6	<5>	<4>	<3>	<2>	1	<0>
PER2	0	0	IEBUSEN	LIN2EN ^{Note}	LIN1EN	LIN0EN	0	CAN0EN

IEBUSEN	Control of IEBB input clock supply
0	Stops input clock supply. <ul style="list-style-type: none"> Disables writing to the SFR used by IEBB. IEBB is in the reset state.
1	Enables input clock supply. <ul style="list-style-type: none"> Enables reading from and writing to the SFR used by IEBB.

LIN2EN ^{Note}	Control of LIN2 input clock supply
0	Stops input clock supply. <ul style="list-style-type: none"> Disables writing to the SFR used by LIN2. LIN2 is in the reset state.
1	Enables input clock supply. <ul style="list-style-type: none"> Enables reading from and writing to the SFR used by LIN2.

LIN1EN	Control of LIN1 input clock supply
0	Stops input clock supply. <ul style="list-style-type: none"> Disables writing to the SFR used by LIN1. LIN1 is in the reset state.
1	Enables input clock supply. <ul style="list-style-type: none"> Enables reading from and writing to the SFR used by LIN1.

LIN0EN	Control of LIN0 input clock supply
0	Stops input clock supply. <ul style="list-style-type: none"> Disables writing to the SFR used by LIN0. LIN0 is in the reset state.
1	Enables input clock supply. <ul style="list-style-type: none"> Enables reading from and writing to the SFR used by LIN0.

CAN0EN	Control of CAN input clock supply
0	Stops input clock supply. <ul style="list-style-type: none"> Disables writing to the SFR used by CAN. CAN is in the reset state.
1	Enables input clock supply. <ul style="list-style-type: none"> Enables reading from and writing to the SFR used by CAN.

Note 144, 100-pin only.
0 must be set for other than 144, 100-pin products.

(4) LIN Clock Select Register (LINCKSEL)

This register is used to control the communication clock source supplied to the LIN.

Address: F02C3H After reset: 00H R/W

Symbol	7	<6>	<5>	<4>	3	<2>	<1>	<0>
LINCKSEL	0	LIN2MCKE <small>Note</small>	LIN1MCKE	LIN0MCKE	0	LIN2MCK <small>Note</small>	LIN1MCK	LIN0MCK

LIN2MCKE <small>Note</small>	Control of supplying or stopping LIN2 communication clock source
0	Stops LIN communication clock source supply.
1	Enables LIN communication clock source supply.

LIN1MCKE	Control of supplying or stopping LIN1 communication clock source
0	Stops LIN communication clock source supply.
1	Enables LIN communication clock source supply.

LIN0MCKE	Control of supplying or stopping LIN0 communication clock source
0	Stops LIN communication clock source supply.
1	Enables LIN communication clock source supply.

LIN2MCK <small>Note</small>	Control of selecting LIN2 communication clock source
0	Selects the f_{CLK} clock.
1	Selects the f_{MX} clock.

LIN1MCK	Control of selecting LIN1 communication clock source
0	Selects the f_{CLK} clock.
1	Selects the f_{MX} clock.

LIN0MCK	Control of selecting LIN0 communication clock source
0	Selects the f_{CLK} clock.
1	Selects the f_{MX} clock.

Note 144, 100-pin only.
0 must be set for other than 144, 100-pin products.

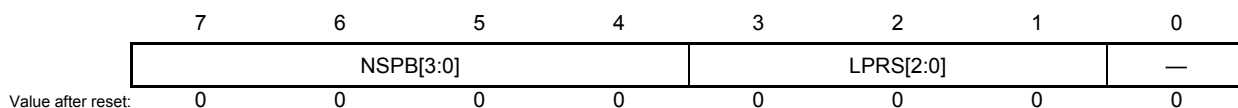
- Cautions**
1. Select the LINn operating clock with the LINnMCK bit before setting the LINnMCKE (n = 0 to 2) bit to 1 (operating clock is supplied).
 2. When operating LINn in SNOOZE mode, set the LINnMCK bit to 0.
 3. In case of LINnMCK is set to 1, set at least 1.2 times the frequency of the LIN communication clock source to the f_{CLK} clock.

(5) External interrupt rising edge enable registers (EGP0, EGP1), external interrupt falling edge enable registers (EGN0, EGN1)

For details, see **22.3.4 External interrupt rising edge enable registers (EGP0, EGP1), external interrupt falling edge enable registers (EGN0, EGN1)**.

(6) LIN Wake-up Baud Rate Select Register (LWBRn)

Address: F06C1H



Bit	Symbol	Bit Name	Function	R/W
0	—	Reserved	This bit is always read as 0. The write value should always be 0.	R/W
3 to 1	LPRS [2:0]	Prescaler Clock Select	b3 b1 0 0 0: 1/1 0 0 1: 1/2 0 1 0: 1/4 0 1 1: 1/8 1 0 0: 1/16 1 0 1: 1/32 1 1 0: 1/64 1 1 1: 1/128	R/W
7 to 4	NSPB [3:0]	Bit Sampling Count Select	b7 b4 0 0 0 0: 16 sampling 0 1 0 1: 6 sampling 0 1 1 0: 7 sampling 0 1 1 1: 8 sampling 1 0 0 0: 9 sampling 1 0 0 1: 10 sampling 1 0 1 0: 11 sampling 1 0 1 1: 12 sampling 1 1 0 0: 13 sampling 1 1 0 1: 14 sampling 1 1 1 0: 15 sampling 1 1 1 1: 16 sampling Settings other than the above are prohibited.	R/W

Set the LWBRn register when the OMM0 bit in the LMSTn register is 0 (LIN reset mode).

LPRS[2:0] bits (prescaler clock select bits)

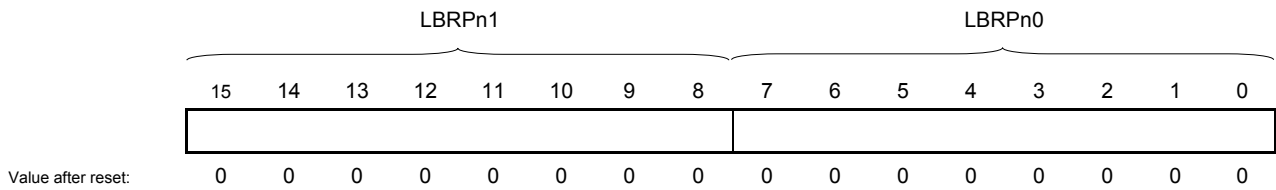
The LPRS bits select the frequency division ratio for the prescaler.
 The LIN communication clock source frequency is divided based on this prescaler.

NSPB[3:0] bits (bit sampling count select bits)

The NSPB bits select the number of sampling in one Tbit (reciprocal of the baud rate).
 In UART mode (LIN/UART mode select bits in LIN/UART mode register = 01b), the NSPB bits can be set for 6 to 16 sampling.

(7) LIN/UART Baud Rate Prescaler Register (LBRPn)

Address: F06C3H, F06C2H



Bit	Function	Setting Range	R/W
15 to 0	Assuming that the value set in this register is L (0 to 65535), the baud rate prescaler divides the frequency of the prescaler clock by L + 1.	0000H to FFFFH	R/W

Set the LBRPn register when the OMM0 bit in the LMSTn register is 0 (LIN reset mode).

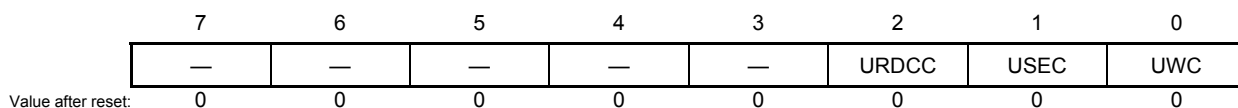
Assuming that the value set in this register is L, the baud rate prescaler divides the frequency of the clock that is selected by the LPRS bits in the LWBRn register (prescaler clock select bits) by L + 1.

The LBRPn register can be accessed in 8-bit units using the following registers.

- Lower 8 bits: LIN/UART baud rate prescaler 0 register (LBRPn0); address F06C2H
- Upper 8 bits: LIN/UART baud rate prescaler 1 register (LBRPn1); address F06C3H

(8) UART Standby Control Register (LUSCn)

Address: F06C5H



Bit	Symbol	Bit Name	Function	R/W
0	UWC	UART Standby Wake-up Control	0: Disables start of reception from STOP mode. 1: Enables start of reception from STOP mode.	R/W
1	USEC	UART Standby Error Control	0: Enables error detection interrupt generation. 1: Disables error detection interrupt generation.	R/W
2	URDCC	UART Standby Received data Comparison Control	0: Disables comparison of the received data and the LIDBn register value in SNOOZE mode. 1: Enables comparison of the received data and the LIDBn register value in SNOOZE mode.	R/W
7 to 3	—	Reserved	These bits are always read as 0. The write value should always be 0.	R/W

Set the LUSCn register when the OMM0 bit in the LMSTn register is 0 (LIN reset mode).

UWC bit (UART standby wake-up control bit)

The UWC bit enables or disables transition to SNOOZE mode upon detection of the falling edge on the reception pin in STOP mode.

With 0 set, detection of the falling edge on the reception pin in STOP mode does not cause a transition to SNOOZE mode thus not initiating reception.

With 1 set, detection of the falling edge on the reception pin in STOP mode causes a transition to SNOOZE mode thus initiating reception.

USEC bit (UART standby error control bit)

The USEC bit enables or disables interrupt generation upon detection of an error or change in status in SNOOZE mode.

With 0 set, if an error (framing error or parity error) or change in status (detection of the expansion bit) is detected in SNOOZE mode, the corresponding flag is set to 1 thus generating the error detection interrupt.

With 1 set, if an error (framing error or parity error) or change in status (detection of the expansion bit) is detected in SNOOZE mode, the corresponding flag is not set to 1 thus generating no error detection interrupt and the module makes a transition to STOP mode.

Do not set this bit to 1 (error detection interrupt generation is disabled) when the UWC bit is 0 (start of reception from STOP mode is disabled).

This bit is enabled when the UWC bit is set to 1 (start of reception from STOP mode is enabled).

URDCC bit (UART standby received data comparison control bit)

The URDCC bit enables or disables comparison of the data received in SNOOZE mode and the LIDBn register value.

With 0 set, the data received in SNOOZE mode is not compared with the LIDBn register value and the appropriate interrupt is generated.

With 1 set, the data received in SNOOZE mode is compared with the LIDBn register value, and if they agree, the successful reception interrupt is generated. If they do not agree, an interrupt is not generated but the module makes a transition to STOP mode.

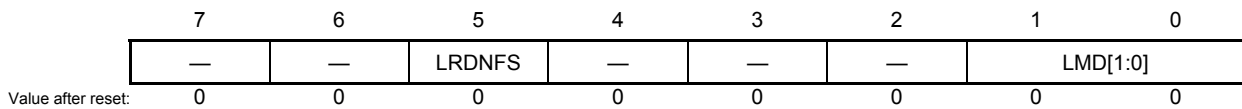
Do not set this bit to 1 (comparison of the received data and the LIDBn register value in SNOOZE mode is enabled) when the UWC bit is 0 (start of reception from STOP mode is disabled).

When this bit should be set to 1 (comparison of the received data and the LIDBn register value in SNOOZE mode is enabled), be sure to set the bit length to 8 bits (the UBLS bit in the LBFCn register is 0; 8-bit UART communication) and set the UEBE bit in the LUORn1 register to 0; expansion bit operation is disabled).

This bit is enabled when the UWC bit is set to 1 (start of reception from STOP mode is enabled).

(9) LIN/UART Mode Register (LMDn)

Address: F06C8H



Bit	Symbol	Bit Name	Function	R/W
1, 0	LMD[1:0]	LIN/UART Mode Select	b1 b0 0 1: UART mode	R/W
4 to 2	—	Reserved	These bits are always read as 0. The write value should always be 0.	R/W
5	LRDNFS	LIN Reception Data Noise Filtering Disable	0: The noise filter is enabled. 1: The noise filter is disabled.	R/W
6	—	Reserved	This bit is always read as 0. The write value should always be 0.	R/W
7	—	Reserved	This bit is always read as 0. The write value should always be 0.	R/W

Set the LMDn register when the OMM0 bit in the LMSTn register is 0 (LIN reset mode).

LMD[1:0] bits (LIN/UART mode select bits)

The LMD bits select the LIN/UART module mode.

To use the LIN/UART module as UART, set these bits to 01b.

With 01b set, the LIN/UART module operates as UART.

LRDNFS bit (LIN reception data noise filtering disable bit)

The LRDNFS bit enables or disables the noise filter when receiving data.

With 0 set, the noise filter is enabled when receiving data.

With 1 set, the noise filter is disabled when receiving data.

(10) LIN Break Field Configuration Register/UART Configuration Register (LBFCn)

Address: F06C9H

7	6	5	4	3	2	1	0
—	UTPS	URPS	UPS[1:0]		USBLS	UBOS	UBLS
Value after reset:	0	0	0	0	0	0	0

Bit	Symbol	Bit Name	Function	R/W
0	UBLS	UART Character Length Select	0: 8-bit UART communication 1: 7-bit UART communication	R/W
1	UBOS	UART Transfer Format Select	0: LSB first 1: MSB first	R/W
2	USBLS	UART Stop Bit Length Select	0: One stop bit 1: Two stop bits	R/W
4, 3	UPS[1:0]	UART Parity Select	b4 b3 0 0: No parity 0 1: Even parity 1 0: 0-parity 1 1: Odd parity	R/W
5	URPS	UART Input Polarity Select	0: Reception data is input as is. 1: Reception data is reversed before being input.	R/W
6	UTPS	UART Output Polarity Select	0: Transmission data is output as is. 1: Transmission data is reversed before being output.	R/W
7	—	Reserved	This bit is always read as 0. The write value should always be 0.	R/W

Set the LBFCn register when the OMM0 bit in the LMSTn register is 0 (LIN reset mode).

UBLS bit (UART character length select bit)

The UBLS bit sets the length of a character of a UART communication frame.

With 0 set, a character of a frame is 8 bits long in communication.

With 1 set, a character of a frame is 7 bits long in communication.

Setting this bit is invalid when a character of a UART frame for communication is 9 bits long (the UEBE bit in the LUORn1 register is 1).

UBOS bit (UART transfer format select bit)

The UBOS bit sets the bit order of UART communication data.

With 0 set, data is transferred with the LSB first.

With 1 set, data is transferred with the MSB first.

USBLS bit (UART stop bit length select bit)

The USBLS bit sets the stop bit length in UART communication.

With 0 set, transmission is performed with 1 stop bit.

With 1 set, transmission is performed with 2 stop bits.

UPS[1:0] bit (UART parity select bit)

The UPS bits set the parity for UART communication.

With 00b set, no parity is used in communication.

- Transmission
A parity bit is not appended to transmission data.
- Reception
A parity bit is not appended to reception data, thus causing no parity error.

With 01b set, an even parity is used in communication.

- Transmission
When the number of 1s in transmission data is odd, 1 is appended as the parity bit, whereas when the number of 1s in the transmission data is even, 0 is appended as the parity bit.
- Reception
When the number of 1s in the received data including the parity bit is odd, the parity error occurs.

With 10b set, 0-parity is used in communication.

- Transmission
A 0 is appended as the parity bit irrespective of the number of 1s in the transmission data.
- Reception
No parity error is caused since the value of the parity bit is not checked.

With 11b set, an odd parity is used in communication.

- Transmission
When the number of 1s in transmission data is odd, 0 is appended as the parity bit, whereas when the number of 1s in the transmission data is even, 1 is appended as the parity bit.
- Reception
When the number of 1s in the received data including the parity bit is even, the parity error occurs.

URPS bit (UART input polarity select bit)

The URPS bit sets the input polarity in UART communication.

With 0 set, the reception data is input as is.

With 1 set, the reception data is reversed before being input.

The setting of this bit applies to all the bits for the UART frames.

In half-duplex communication, set this bit and the UTPS bit to the same value.

UTPS bit (UART output polarity select bit)

The UTPS bit sets the output polarity in UART communication.

With 0 set, the transmission data is output as is.

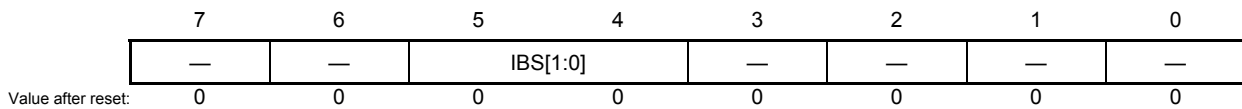
With 1 set, the transmission data is reversed before being output.

The setting of this bit applies to all the bits for the UART frames.

In half-duplex communication, set this bit and the URPS bit to the same value.

(11) LIN/UART Space Configuration Register (LSCn)

Address: F06CAH



Bit	Symbol	Bit Name	Function	R/W
2 to 0	—	Reserved	These bits are always read as 0. The write value should always be 0.	R/W
3	—	Reserved	This bit is always read as 0. The write value should always be 0.	R/W
5, 4	IBS[1:0]	Inter-Byte Space Select	b5 b4 0 0: 0 Tbit 0 1: 1 Tbit 1 0: 2 Tbits 1 1: 3 Tbits	R/W
7, 6	—	Reserved	These bits are always read as 0. The write value should always be 0.	R/W

Set the LSCn register when the OMM0 bit in the LMSTn register is 0 (LIN reset mode).

IBS[1:0] bits (Inter-byte space select bits)

The IBS bits set the width of the space between UART frames in transmission using UART buffer.

0 Tbit to 3 Tbits can be set.

When transmitting from the transmission buffer(LUTDRn register) and the wait transmission buffer(LUWTDRn register),set 00b to the IBS[1:0] bit.

(12) LIN/UART Error Detection Enable Register (LEDEn)

Address: F06CDH

7	6	5	4	3	2	1	0
—	—	—	—	FERE	OERE	—	BERE
Value after reset:	0	0	0	0	0	0	0

Bit	Symbol	Bit Name	Function	R/W
0	BERE	Bit Error Detection Enable	0: Disables bit error detection. 1: Enables bit error detection.	R/W
1	—	Reserved	This bit is always read as 0. The write value should always be 0.	R/W
2	OERE	Overrun Error Detection Enable	0: Disables overrun error detection. 1: Enables overrun error detection.	R/W
3	FERE	Framing Error Detection Enable	0: Disables framing error detection. 1: Enables framing error detection.	R/W
4	—	Reserved	This bit is always read as 0. The write value should always be 0.	R/W
5	—	Reserved	This bit is always read as 0. The write value should always be 0.	R/W
6	—	Reserved	This bit is always read as 0. The write value should always be 0.	R/W
7	—	Reserved	This bit is always read as 0. The write value should always be 0.	R/W

Set the LEDEn register when the OMM0 bit in the LMSTn register is 0 (LIN reset mode).

BERE bit (bit error detection enable bit)

The BERE bit enables or disables detection of the bit error.

With 0 set, the bit error is not detected.

With 1 set, the bit error is detected.

When this bit is set to 1, the detection result is indicated in the BER flag in the LESTn register.

Do not set this bit to 1 when the LIN/UART module is used in full-duplex mode.

For details of the bit error, refer to **17.5.5 Error Status**.

Do not set this bit when the NSPB bits in the LWBRn register are 0101b (6 sampling) and the LRDNFS bit in the LMDn register is 0 (the noise filter is in use).

OERE bit (overrun error detection enable bit)

The OERE bit enables or disables detection of the overrun error.

With 0 set, the overrun error is not detected.

With 1 set, the overrun error is detected.

When this bit is set to 1, the detection result is indicated in the OER flag in the LESTn register.

For details of the overrun error, refer to **17.5.5 Error Status**.

FERE bit (framing error detection enable bit)

The FERE bit enables or disables detection of the framing error.

With 0 set, the framing error is not detected.

With 1 set, the framing error is detected.

When this bit is set to 1, the detection result is indicated in the FER flag in the LESTn register.

For details of the framing error, refer to **17.5.5 Error Status**.

(13) LIN/UART Control Register (LCUCn)

Address: F06CEH

7	6	5	4	3	2	1	0
—	—	—	—	—	—	—	OM0
Value after reset:	0	0	0	0	0	0	0

Bit	Symbol	Bit Name	Function	R/W
0	OM0	LIN Reset	0: LIN reset mode is caused. 1: LIN reset mode is canceled.	R/W
1	—	Reserved	This bit is always read as 0. The write value should always be 0.	R/W
7 to 2	—	Reserved	These bits are always read as 0. The write value should always be 0.	R/W

After a value is written to this register, confirm that the value written is actually indicated in the LMSTn register before writing another value.

OM0 bit (LIN reset bit)

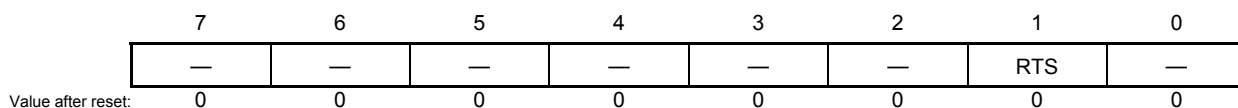
The OM0 bit selects either causing a transition to LIN reset mode or canceling LIN reset mode.

With 0 set, LIN reset mode is caused.

With 1 set, LIN reset mode is canceled.

(14) LIN/UART Transmission Control Register (LTRCn)

Address: F06D0H



Bit	Symbol	Bit Name	Function	R/W
0	—	Reserved	This bit is always read as 0. The write value should always be 0.	R/W
1	RTS	UART Buffer Transmission Start	0: UART buffer transmission is disabled. 1: UART buffer transmission is enabled.	R/W
2	—	Reserved	This bit is always read as 0. The write value should always be 0.	R/W
7 to 3	—	Reserved	These bits are always read as 0. The write value should always be 0.	R/W

RTS bit (UART buffer transmission start bit)

Set the RTS bit to 1 to transmit data from UART buffer.

Only 1 can be written to this bit; 0 cannot be written.

Write a value to this bit when the UTOE bit in the LUOERn register is 1 (transmission is enabled) and the UTS bit in the LSTn register is 0 (transmission not in progress).

Once set, whether or not an error has occurred, this bit is automatically cleared to 0 upon completion of transmission of the amount of data corresponding to the setting for the number of data units (by the MDL bits in the LDFCn register).

This bit is automatically cleared to 0 upon transition to LIN reset mode.

Writing a value to this bit is disabled when the OMM0 bit in the LMSTn register is 0 (LIN reset mode).

When 1 is to be written to this bit while the setting of the UTSW bit in the LDFCn register is 1 (requesting transmission from the UART buffer after the completion of waiting for stop bit reception), only do so after the reception of a stop bit.

(15) LIN/UART Mode Status Register (LMSTn)

Address: F06D1H

7	6	5	4	3	2	1	0
—	—	—	—	—	—	—	OMM0
Value after reset:	0	0	0	0	0	0	0

Bit	Symbol	Bit Name	Function	R/W
0	OMM0	LIN Reset Status Monitor	0: The module is in LIN reset mode. 1: The module is not in LIN reset mode.	R
1	—	Reserved	This bit is always read as 0. The write value should always be 0.	R
7 to 2	—	Reserved	These bits are always read as 0. The write value should always be 0.	R/W

OMM0 bit (LIN reset status monitor bit)

The OMM0 bit indicates whether or not the LIN reset mode is currently set.

With 0 set, the LIN/UART module is in LIN reset mode.

With 1 set, the LIN/UART module is not in LIN reset mode.

(16) LIN/UART Status Register (LSTn)

Address: F06D2H

7	6	5	4	3	2	1	0
—	—	URS	UTS	ERR	—	—	FTC
Value after reset:	0	0	0	0	0	0	0

Bit	Symbol	Bit Name	Function	R/W
0	FTC	Successful Buffer Transmission Flag	0: Data transmission from the UART buffer has not been completed. 1: Data transmission from the UART buffer has been completed.	R/W
1	—	Reserved	This bit is always read as 0. The write value should always be 0.	R/W
2	—	Reserved	This bit is always read as 0. The write value should always be 0.	R/W
3	ERR	Error Detection Flag	0: No error has been detected. 1: Error has been detected.	R
4	UTS	Transmission Status Flag	0: The LIN/UART module is not transmitting data. 1: The LIN/UART module is transmitting data.	R
5	URS	Reception Status Flag	0: The LIN/UART module is not receiving data. 1: The LIN/UART module is receiving data.	R
7, 6	—	Reserved	These bits are always read as 0. The write value should always be 0.	R/W

The LSTn register is automatically cleared to 00H upon transition to LIN reset mode.

In LIN reset mode, writing to this register is disabled. In LIN reset mode, the register retains 00H.

To clear the specific bits in the register, write 0 to the bits to be cleared and write 1 to the other bits by using an 8-bit data transfer instruction.

FTC flag (successful buffer transmission flag)

Only 0 can be written to the FTC flag; when 1 is written, the bit retains the value that has been retained before 1 is written.

Whether or not an error has occurred, this bit is set to 1 upon completion of transmission of data, which is equal to the number of data units set with the MDL bits in the LDFCn register, from UART buffer. Here, an interrupt is generated.

To clear the bit to 0, write 0 to the bit.

ERR flag (error detection flag)

The ERR flag is set to 1 upon detection of an error (any of the LESTn register flags is 1). Here, an interrupt is generated.

Note that when an error, the expansion bit, or ID match is detected with the ERR flag set to 1, an interrupt is not generated.

To clear the bit to 0, write 0 to the UPER, IDMT, EXBT, FER, OER, and BER flags in the LESTn register. This clears the ERR flag to 0.

UTS flag (transmission status flag)

The UTS flag is set to 1 upon start of transmission. During transmission, the flag retains 1.

Transmission is started when:

- transmission data is set in the LUTDRn or LUWTDn register.
- 1 is set in the RTS bit in the LTRCn register.

The UTS flag is cleared to 0 upon end of transmission. While transmission is halted, the flag retains 0.

Transmission is ended when:

- transmission of the data set in the LUTDRn or LUWTDn register is completed and the next transmission data is not set.
- data transmission from the UART buffer is completed (the RTS bit in the LTRCn register is set to 0).

URS flag (reception status flag)

The URS flag is set to 1 upon start of reception. During reception, the flag retains 1.

Reception is started when:

- the start bit is detected.

The URS flag is cleared to 0 upon end of reception. While reception is halted, the flag retains 0.

Reception is ended when:

- the first stop bit is sampled.

(17) LIN/UART Error Status Register (LESTn)

Address: F06D3H

	7	6	5	4	3	2	1	0
	—	UPER	IDMT	EXBT	FER	OER	—	BER
Value after reset:	0	0	0	0	0	0	0	0

Bit	Symbol	Bit Name	Function	R/W
0	BER	Bit Error Flag	0: Bit error has not been detected. 1: Bit error has been detected.	R/W
1	—	Reserved	This bit is always read as 0. The write value should always be 0.	R/W
2	OER	Overrun Error Flag	0: Overrun error has not been detected. 1: Overrun error has been detected.	R/W
3	FER	Framing Error Flag	0: Framing error has not been detected. 1: Framing error has been detected.	R/W
4	EXBT	Expansion Bit Detection Flag	0: Expansion bit has not been detected. 1: Expansion bit has been detected.	R/W
5	IDMT	ID match flag	0: Received data does not agree with the ID value. 1: Received data agrees with the ID value.	R/W
6	UPER	Parity Error Flag	0: Parity error has not been detected. 1: Parity error has been detected.	R/W
7	—	Reserved	This bit is always read as 0. The write value should always be 0.	R/W

The LESTn register is automatically cleared to 00H upon transition to LIN reset mode.

In LIN reset mode, writing to this register is disabled. In LIN reset mode, the register retains 00H.

To clear the specific bits in the register, write 0 to the bits to be cleared and write 1 to the other bits by using an 8-bit data transfer instruction.

BER flag (bit error flag)

Only 0 can be written to the BER flag; when 1 is written, the bit retains the value that has been retained before 1 is written. The BER flag is set to 1 upon bit error detection if the BERE bit in the LEDEn register is 1 (bit error detection is enabled). To clear the bit to 0, write 0 to the bit.

OER flag (overrun error flag)

Only 0 can be written to the OER flag; when 1 is written, the bit retains the value that has been retained before 1 is written. The OER flag is set to 1 upon overrun error detection if the OERE bit in the LEDEn register is 1 (overrun error detection is enabled). To clear the bit to 0, write 0 to the bit.

FER flag (framing error flag)

Only 0 can be written to the FER flag; when 1 is written, the bit retains the value that has been retained before 1 is written. The FER flag is set to 1 upon framing error detection if the FERE bit in the LEDEn register is 1 (framing error detection is enabled).

In SNOOZE mode, the following conditions should also be satisfied to set this flag to 1.

- The UWC bit in the LUSCn register is 1 (start of reception from STOP mode is enabled).
- The USEC bit in the LUSCn register is 0 (error detection interrupt generation is enabled).

To clear the bit to 0, write 0 to the bit.

EXBT flag (expansion bit detection flag)

Only 0 can be written to the EXBT flag; when 1 is written, the bit retains the value that has been retained before 1 is written.

This flag is set to 1 when the UEBE bit in the LUORn1 register is 1 (expansion bit operation is enabled) and the received expansion bit agrees with the UEBDL bit value in the LUORn1 register.

In SNOOZE mode, the following conditions should also be satisfied to set this flag to 1.

- The UWC bit in the LUSCn register is 1 (start of reception from STOP mode is enabled).
- The USEC bit in the LUSCn register is 0 (error detection interrupt generation is enabled).
- The UECD bit in the LUORn1 register is 0 (comparison of the expansion bit is enabled).

To clear the bit to 0, write 0 to the bit.

IDMT flag (ID match flag)

Only 0 can be written to the IDMT flag; when 1 is written, the bit retains the value that has been retained before 1 is written.

The IDMT flag is set to 1 when all the following conditions are satisfied.

- The UEBE bit in the LUORn1 register is 1 (expansion bit operation is enabled).
- The UECD bit in the LUORn1 register is 0 (expansion bit comparison is enabled).
- The UEBDCE bit in the LUORn1 register is 1 (data comparison after expansion bit detection is enabled).
- The received expansion bit agrees with the value of the UEBDL bit in the LUORn1 register.
- The 8-bit received data excluding the expansion bits agrees with the LIDBn register value.

To clear the bit to 0, write 0 to the bit.

UPER flag (parity error flag)

Only 0 can be written to the IDMT flag; when 1 is written, the bit retains the value that has been retained before 1 is written.

The UPER flag is set to 1 upon parity error detection.

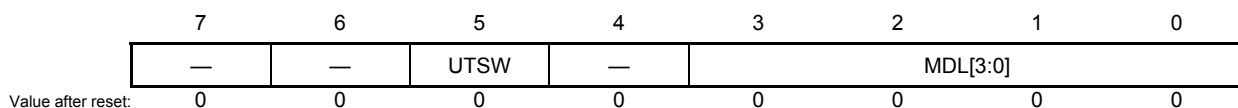
In SNOOZE mode, the following conditions should also be satisfied to set this flag to 1.

- The UWC bit in the LUSCn register is 1 (start of reception from STOP mode is enabled).
- The USEC bit in the LUSCn register is 0 (error detection interrupt generation is enabled).

To clear the bit to 0, write 0 to the bit.

(18) LIN/UART Data Field Configuration Register (LDFCn)

Address: F06D4H



Bit	Symbol	Bit Name	Function	R/W
3 to 0	MDL[3:0]	UART Buffer Data Length Select	b3 b0 0 0 0 0: 9 data 0 0 0 1: 1 data 0 0 1 0: 2 data 0 0 1 1: 3 data 0 1 0 0: 4 data 0 1 0 1: 5 data 0 1 1 0: 6 data 0 1 1 1: 7 data 1 0 0 0: 8 data 1 0 0 1: 9 data Settings other than the above are prohibited.	R/W
4	—	Reserved	This bit is always read as 0. The write value should always be 0.	R/W
5	UTSW	Transmission Start Wait	0: When UART buffer transmission is requested, transmission is started immediately. 1: When UART buffer transmission is requested, transmission is started after waiting for stop bit reception to be completed.	R/W
7, 6	—	Reserved	These bits are always read as 0. The write value should always be 0.	R/W

MDL[3:0] bits (UART buffer data length select bits)

The MDL bits set the data length of the UART buffer.

Writing a value to these bits is disabled when the RTS bit is 1 (UART buffer transmission is enabled).

UTSW bit (transmission start wait bit)

The UTSW bit controls the start timing of UART buffer transmission.

With 0 set, when UART buffer transmission is requested, transmission is started immediately.

With 1 set, when UART buffer transmission is requested, transmission is started after waiting for reception of the stop bit to be completed.

Note that the wait time is only 1 bit even if the stop bit length is set to 2 bits with the USBLS bit in the LBFCn register.

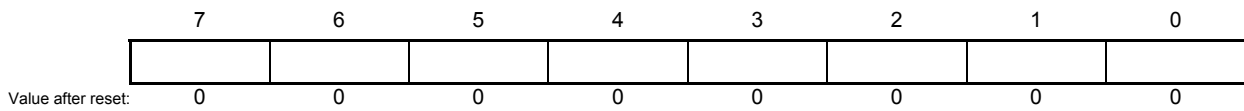
This bit is enabled when 1 is set to the RTS bit in the LTRCn register.

Writing a value to this bit is disabled when the RTS bit is 1 (UART buffer transmission is enabled).

Do not set this bit to 1 for the purpose other than switching from reception to transmission in half-duplex communication.

(19) LIN/UART ID Buffer Register (LIDBn)

Address: F06D5H



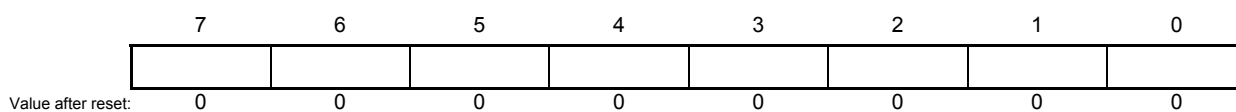
Bit	Function	R/W
7 to 0	Sets the ID value to be referenced for expansion bit/data comparison or data comparison in SNOOZE mode.	R/W

When the UEBE bit is 1 (expansion bit operation is enabled) and the UEBDCE bit is 1 (data comparison after expansion bit detection is enabled) in the LUORn1 register, set the value to be compared with the received data to the LIDBn register. When the UWC bit is 1 (start of reception from STOP mode is enabled) and the URDCC bit is 1 (comparison of the received data and the LIDBn register value is enabled in SNOOZE mode) in the LUSCn register, set the value to be compared with the received data to the LIDBn register.

Set the LIDBn register when the URS bit in the LSTn register is 0 (reception not in progress).

(20) UART Data Buffer 0 Register (LUDBn0)

Address: F06D7H



Bit	Function	Setting Range	R/W
7 to 0	Sets the data to be transmitted from the UART buffer.	00H to FFH	R/W

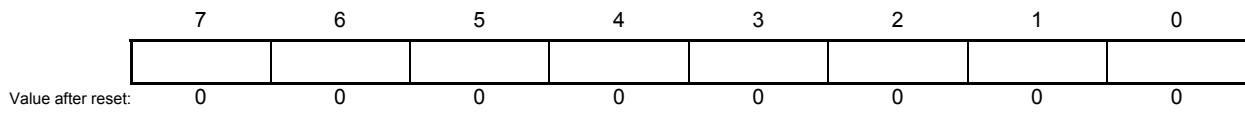
The LUDBn0 register sets the data to be first transmitted from the UART buffer for nine-data-long transmission (the MDL bits in the LDFCn register is 0H or 9H).

Write to the LUDBn0 register while the RTS bit is 0 (UART buffer transmission is disabled).

For details of the UART buffer, refer to **17.5.3 Buffer Processing of Transmission Data**.

(21) LIN/UART Data Buffer m Register (LDBnm) (m = 1 to 8)

Address: LDBn1 F06D8H, LDBn2 F06D9H, LDBn3 F06DAH, LDBn4 F06DBH, LDBn5 F06DCH, LDBn6 F06DDH, LDBn7 F06DEH, LDBn8 F06DFH



Bit	Function	Setting Range	R/W
7 to 0	Sets the data to be transmitted from the UART buffer.	00H to FFH	R/W

These registers set the data to be transmitted from the UART buffer.
 Write to these registers while the RTS bit is 0 (UART buffer transmission is disabled).

For details of the UART buffer, refer to **17.5.3 Buffer Processing of Transmission Data**.

(22) UART Operation Enable Register (LUOERn)

Address: F06E0H

7	6	5	4	3	2	1	0
—	—	—	—	—	—	UROE	UTOE
Value after reset:	0	0	0	0	0	0	0

Bit	Symbol	Bit Name	Function	R/W
0	UTOE	Transmission Enable	0: Disables transmission. 1: Enables transmission.	R/W
1	UROE	Reception Enable	0: Disables reception. 1: Enables reception.	R/W
7 to 2	—	Reserved	These bits are always read as 0. The write value should always be 0.	R/W

The LUOERn register is automatically cleared to 00H upon transition to LIN reset mode. In LIN reset mode, writing to this register is disabled. In LIN reset mode, the register retains 00H.

UTOE bit (transmission enable bit)

The UTOE bit enables or disables transmission.

With 0 set, transmission is disabled.

With 1 set, transmission is enabled.

Do not clear this bit during transmission. To cancel transfer while transmission is in progress, place the module in the LIN reset mode by setting the OM0 bit in the LCUCn register to 0 (LIN reset mode). Note that this operation also cancels reception.

UROE bit (reception enable bit)

The UROE bit enables or disables reception.

With 0 set, reception is disabled.

With 1 set, reception is enabled.

Do not clear this bit during reception. To cancel transfer while reception is in progress, place the module in the LIN reset mode by setting the OM0 bit in the LCUCn register to 0 (LIN reset mode). Note that this operation also cancels transmission.

This bit must be 0 during transmitting data from UART buffer.

(23) UART Option Register 1 (LUORn1)

Address: F06E1H

7	6	5	4	3	2	1	0
—	—	—	UECD	UTIGTS	UEBDCE	UEBDL	UEBE
Value after reset:							
0	0	0	0	0	0	0	0

Bit	Symbol	Bit Name	Function	R/W
0	UEBE	Expansion Bit Enable	0: Disables expansion bit operation. 1: Enables expansion bit operation.	R/W
1	UEBDL	Expansion Bit Detection Level Select	0: Selects expansion bit value 0 as the expansion bit detection level. 1: Selects expansion bit value 1 as the expansion bit detection level.	R/W
2	UEBDCE	Expansion Bit/Data Comparison Enable	0: Disables data comparison after detection of the expansion bit. 1: Enables data comparison after detection of the expansion bit.	R/W
3	UTIGTS	Transmission Interrupt Generation Timing Select	0: Transmission interrupt is generated at the start of transmission. 1: Transmission interrupt is generated at the completion of transmission.	R/W
4	UECD	Expansion Bit Comparison Disable	0: Enables comparison between the received expansion bit and the UEBDL bit value. 1: Disables comparison between the received expansion bit and the UEBDL bit value.	R/W
7 to 5	—	Reserved	These bits are always read as 0. The write value should always be 0.	R/W

UEBE bit (expansion bit enable bit)

The UEBE bit enables or disables expansion bit operation.

With 0 set, expansion bit operation is disabled.

With 1 set, expansion bit operation is enabled.

Set this bit when the OMM0 bit in the LMSTn register is 0 (LIN reset mode).

Do not set this bit to 1 when the UART buffer is in use.

UEBDL bit (expansion bit detection level select bit)

The UEBDL bit sets the level to be detected as the expansion bit when the UEBE bit is 1 (expansion bit operation is enabled) and the UECD bit is 0 (comparison of the expansion bit is enabled).

With 0 set, expansion bit value 0 is the level to be detected as the expansion bit.

With 1 set, expansion bit value 1 is the level to be detected as the expansion bit.

Set this bit when the OMM0 bit in the LMSTn register is 0 (LIN reset mode).

Do not set this bit to 1 when the UART buffer is in use.

UEBDCE bit (expansion bit/data comparison enable bit)

The UEBDCE bit enables or disables comparison between the 8-bit received data excluding the expansion bits and the value of LIDBn register after detection of the expansion bit.

With 0 set, comparison between the received data in the LURDRn register and the LIDBn register value is disabled after detection of the expansion bit value selected by the UEBDL bit as the expansion bit.

With 1 set, comparison between the received data in the LURDRn register and the LIDBn register value is enabled after detection of the expansion bit value selected by the UEBDL bit as the expansion bit.

Set this bit when the OMM0 bit in the LMSTn register is 0 (LIN reset mode).

Do not set this bit to 1 with the UEBE bit set to 0 (expansion bit operation disabled).

Do not set this bit to 1 with the UECD bit set to 1 (expansion bit comparison disabled).

Do not set this bit to 1 when the UART buffer is in use.

Do not set this bit to 1 with the UWC bit in the LUSCn register set to 1 (start of reception from STOP mode enabled).

UTIGTS bit (transmission interrupt generation timing select bit)

The UTIGTS bit sets the generation timing of the transmission interrupt.

With 0 set, the transmission interrupt is generated at the start of transmission.

With 1 set, the transmission interrupt is generated at the completion of transmission.

When transmission from the UART buffer is performed with 0 set, the transmission interrupt is generated only at the start of the transmission of the last data of the data length set with the MDL bits in the LDFCn register.

When transmission from the UART buffer is performed with 1 set, the transmission interrupt is generated only at the completion of the transmission of the last data of the data length set with the MDL bits in the LDFCn register.

UECD bit (expansion bit comparison disable bit)

The UECD bit enables or disables comparison between the received expansion bit and the UEBDL bit value when the UEBE bit is 1 (expansion bit operation is enabled).

With 0 set, comparison between the received expansion bit and the UEBDL bit value is enabled when the expansion bit is received.

With 1 set, comparison between the received expansion bit and the UEBDL bit value is disabled when the expansion bit is received.

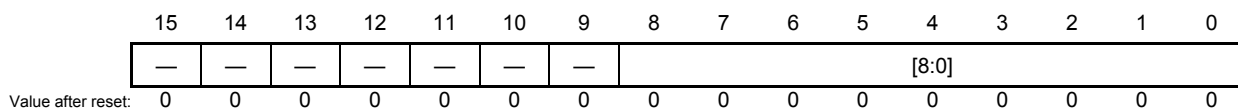
Set this bit when the OMM0 bit in the LMSTn register is 0 (LIN reset mode).

Do not set this bit to 1 when the UART buffer is in use.

Do not set this bit to 1 with the UEBDCE bit set to 1 (data comparison after expansion bit detection is enabled).

(24) UART Transmission Data Register (LUTDRn)

Address: F06E5H, F06E4H



Bit	Function	Setting Range	R/W
8 to 0	Sets the data to be transmitted from the transmission buffer.	000H to 1FFH	R/W
15 to 9	Reserved. These bits are always read as 0. The write value should always be 0.	—	R/W

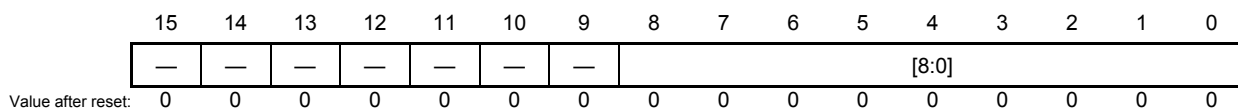
The LUTDRn register sets the data to be transmitted from the transmission data register. Writing data to this register with the UTOE bit in the LUOERn register set to 1 starts transmission. This register can be accessed in 8 bits. In 9-bit communication mode, do not attempt 8-bit access. Do not write data to this register when data transmission from the UART buffer is in progress. Also, do not write data to this register when a transmission request is being generated due to write access to the LUWTDRn register. When transmitting multiple sets of data continuously, do not write another data item to this register before a transmission interrupt is generated.

The table below shows the bit arrangement according to the set transfer format.

Item	LUTDRn								
	8	7	6	5	4	3	2	1	0
7-bit; LSB first	—	—	Bit 6	Bit 5	Bit 4	Bit 3	Bit 2	Bit 1	Bit 0
7-bit; MSB first	—	—	Bit 0	Bit 1	Bit 2	Bit 3	Bit 4	Bit 5	Bit 6
8-bit; LSB first	—	Bit 7	Bit 6	Bit 5	Bit 4	Bit 3	Bit 2	Bit 1	Bit 0
8-bit; MSB first	—	Bit 0	Bit 1	Bit 2	Bit 3	Bit 4	Bit 5	Bit 6	Bit 7
9-bit; LSB first	Bit 8	Bit 7	Bit 6	Bit 5	Bit 4	Bit 3	Bit 2	Bit 1	Bit 0
9-bit; MSB first	Bit 0	Bit 1	Bit 2	Bit 3	Bit 4	Bit 5	Bit 6	Bit 7	Bit 8

(25) UART Reception Data Register (LURDRn)

Address: F06E7H, F06E6H



Bit	Function	Setting Range	R/W
8 to 0	Allows the reception data to be read from the reception buffer.	000H to 1FFH	R
15 to 9	Reserved. These bits are always read as 0. The write value should always be 0.	—	R/W

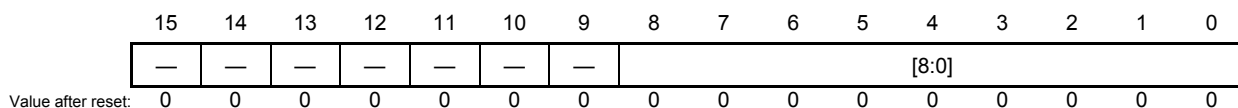
The LURDRn register allows the reception data to be read from the reception data register. When the UROE bit in the LUOERn register is 1, the reception data is stored in this register and can be read out. This register is updated at the stop bit in the reception data. This register is also updated when an error is caused by the parity or stop bit. This register is not updated upon occurrence of an overrun error if the OERE bit in the LEDEn register is 1 (overrun error detection is enabled). This register is updated upon occurrence of an overrun error if the OERE bit is 0 (overrun error detection is disabled). Read this register upon occurrence of a reception error (overrun error, framing error, or parity error) if the OERE bit in the LEDEn register is 1 (overrun error detection is enabled). Reading the next data without reading this register causes an overrun error. This register can be accessed in 8 bits. However, do not access this register in 8-bit units when the expansion bits are used (the UEBE bit in the LUORn1 register is 1 (expansion bit operation enabled)).

The table below shows the bit arrangement according to the set transfer format.

Item	LURDRn									
	8	7	6	5	4	3	2	1	0	
7-bit; LSB first	—	—	Bit 6	Bit 5	Bit 4	Bit 3	Bit 2	Bit 1	Bit 0	
7-bit; MSB first	—	—	Bit 0	Bit 1	Bit 2	Bit 3	Bit 4	Bit 5	Bit 6	
8-bit; LSB first	—	Bit 7	Bit 6	Bit 5	Bit 4	Bit 3	Bit 2	Bit 1	Bit 0	
8-bit; MSB first	—	Bit 0	Bit 1	Bit 2	Bit 3	Bit 4	Bit 5	Bit 6	Bit 7	
9-bit; LSB first	Bit 8	Bit 7	Bit 6	Bit 5	Bit 4	Bit 3	Bit 2	Bit 1	Bit 0	
9-bit; MSB first	Bit 0	Bit 1	Bit 2	Bit 3	Bit 4	Bit 5	Bit 6	Bit 7	Bit 8	

(26) UART Wait Transmission Data Register (LUWTDRn)

Address: F06E9H, F06E8H



Bit	Function	Setting Range	R/W
8 to 0	Sets the data to be transmitted from the UART wait transmission data register after waiting for the stop bit reception to be completed.	000H to 1FFH	R/W
15 to 9	Reserved. These bits are always read as 0. The write value should always be 0.	—	R/W

The LUWTDRn register sets the data to be transmitted from the UART wait transmission data register. Writing data to this register with the UTOE bit in the LUOERn register set to 1 starts transmission. Use this register only to switch from reception to transmission in half-duplex communication. The user should write to this register only while the stop bit is received. Note that the wait time is only 1 bit even if the stop bit length is set to 2 bits with the USBLS bit in the LBFCn register. When this register is read, the LUTDRn register value is actually read. In 9-bit communication mode, do not attempt 8-bit access. Do not write data to this register when data transmission from the UART buffer is in progress.

The table below shows the bit arrangement according to the set transfer format.

Item	LUWTDRn									
	8	7	6	5	4	3	2	1	0	
7-bit; LSB first	—	—	Bit 6	Bit 5	Bit 4	Bit 3	Bit 2	Bit 1	Bit 0	
7-bit; MSB first	—	—	Bit 0	Bit 1	Bit 2	Bit 3	Bit 4	Bit 5	Bit 6	
8-bit; LSB first	—	Bit 7	Bit 6	Bit 5	Bit 4	Bit 3	Bit 2	Bit 1	Bit 0	
8-bit; MSB first	—	Bit 0	Bit 1	Bit 2	Bit 3	Bit 4	Bit 5	Bit 6	Bit 7	
9-bit; LSB first	Bit 8	Bit 7	Bit 6	Bit 5	Bit 4	Bit 3	Bit 2	Bit 1	Bit 0	
9-bit; MSB first	Bit 0	Bit 1	Bit 2	Bit 3	Bit 4	Bit 5	Bit 6	Bit 7	Bit 8	

17.3 Modes

The LIN/UART module provides the following four modes, depending upon the specific function to be performed:

- LIN reset mode
- LIN mode
(LIN master mode/LIN slave mode [auto baud rate]/LIN slave mode [fixed baud rate])
- UART mode
- LIN self-test mode

The supply of clocks to the LIN/UART module is stopped in LIN reset mode, which reduces power consumption.

Figure 17-3 shows mode transitions. Table 17-4 describes mode transition conditions. Table 17-5 lists operations available in each mode.

Figure 17-3. Mode Transitions

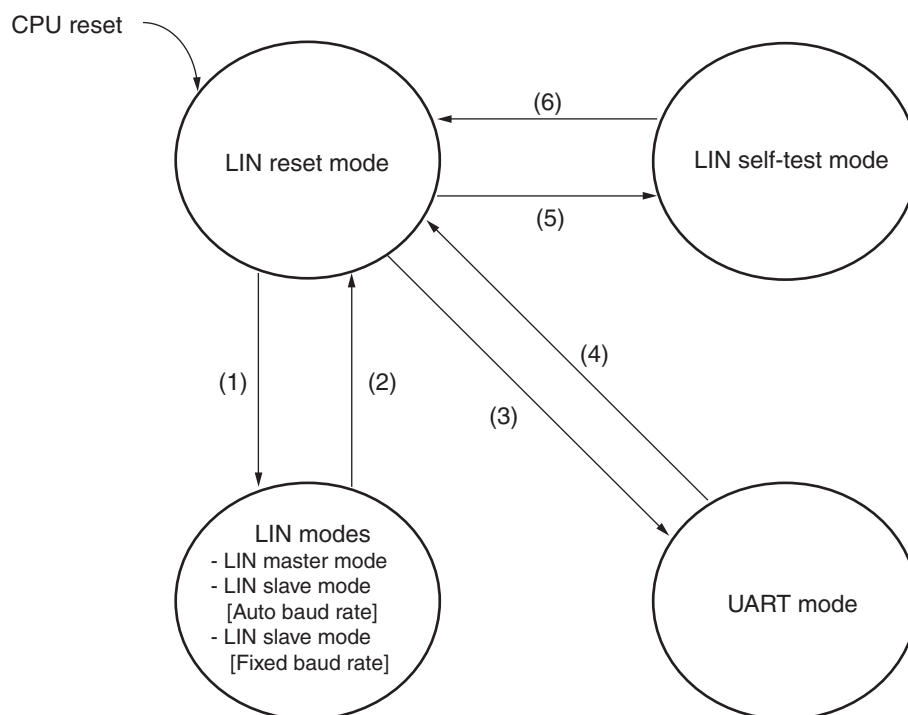


Table 17-4. Mode Transition Conditions

Step	Mode transition		Transition condition
(1)	LIN reset mode	→ LIN mode (LIN master mode)	LMD bits in LMDn register = 00b and OM1 and OM0 bits in LCUCn register = 01b or 11b
	LIN reset mode	→ LIN mode (LIN slave mode[auto baud rate])	LMD bits in LMDn register = 10b and OM1 and OM0 bits in LCUCn register = 01b or 11b
	LIN reset mode	→ LIN mode (LIN slave mode [fixed baud rate])	LMD bits in LMDn register = 11b and OM1 and OM0 bits in LCUCn register = 01b or 11b
(2)	LIN mode	→ LIN reset mode	OM0 bit in LCUCn register = 0b
(3)	LIN reset mode	→ UART mode	LMD bits in LMDn register = 01b and OM0 bit in LCUCn register = 1b
(4)	UART mode	→ LIN reset mode	OM0 bit in LCUCn register = 0b
(5)	LIN reset mode	→ LIN self-test mode	See 17.6 LIN Self-Test Mode .
(6)	LIN self-test mode	→ LIN reset mode	See 17.6 LIN Self-Test Mode .

Table 17-5. Operations Available in Each Mode

LIN mode		UART mode	LIN self-test mode
LIN master mode	LIN slave mode [auto baud rate]/ LIN slave mode [fixed baud rate]		
Header transmission Response transmission Response reception Wake-up transmission Wake-up reception Error detection	Header reception Response transmission Response reception Wake-up transmission Wake-up reception Error detection	UART transmission UART reception Error detection	Self test

Whether a transition has been caused to the LIN reset mode, the LIN mode, or the UART mode can be verified by reading the LMD bits in the LMDn register or the OMM0 bit in the LMSTn register.

The maximum mode transition time (maximum time from when the value is set to the LSUCn register to when the value is indicated in the LMSTn register) is the sum of three CPU clock (f_{CLK}) cycles and four cycles of the LIN communication clock source (input clock to the LIN/UART module selected by LINnMCK).

For a description of the LIN self-test mode, see **17.6 LIN Self-Test Mode**.

17.3.1 LIN Reset Mode

Setting the OM0 bit in the LCUCn register to 0b (LIN reset mode) causes a transition to LIN reset mode. The change to LIN reset mode can be verified by determining that the OMM0 bit in the LMSTn register has been set to 0b (LIN reset mode). In this mode, the LIN communication and the UART communication functions are all halted, and fLIN also stops. From LIN reset mode, transitions to LIN mode, UART mode, and LIN self-test mode can be made.

When the mode changes to LIN reset mode, the following registers are initialized to their reset values, and as long as LIN reset mode is in effect, they retain their initial values.

- LTRCn register
- LSTn register
- LESTn register
- LUOERn register

The following registers retain their previous values even when a transition to LIN reset mode is made:

- LCHSEL register
- LWBRn register
- LBRPn0 register
- LBRPn1 register
- LUSCn register
- LMDn register
- LBFCn register
- LSCn register
- LWUPn register
- LIEn register
- LEDEn register
- LDFCn register
- LIDBn register
- LCBRn register
- LUDBn0 register
- LDBnm register (m = 1 to 8)
- LUORn1 register
- LUTDRn register
- LURDRn register
- LUWTRn register

17.3.2 LIN Mode

LIN mode can operate in the following submodes: LIN master mode, LIN slave mode [auto baud rate], and LIN slave mode [fixed baud rate].

In LIN master mode, the following operations can be performed: header transmission, response transmission, response reception, wake-up transmission, wake-up reception, and error detection. In LIN reset mode, setting the LMD bits in the LMDn register to 00b (LIN master mode) and the OM1 and OM0 bits in the LCUCn register to either 01b or 11b sets LIN master mode, turning the OMM1 and OMM0 bits in the LMSTn register to either 01b to 11b.

In LIN slave mode [auto baud rate] and LIN slave mode [fixed baud rate], header reception, response transmission, response reception, wake-up transmission, wake-up reception, and error detection can be performed.

The LIN slave mode [auto baud rate] allows automatic detection of the break field and the sync field, and sets a baud rate based on the results of measurement of a sync field. Operation is possible with baud rates from 1 kbps to 20 kbps. Set the LPRS[2:0] bits in the LWBRn register according to the target baud rate so that the frequency of the clock (prescaler clock) obtained by dividing the LIN communication clock source frequency by the prescaler is the corresponding value from the list.

[Target baud rate]	[Frequency of prescaler clock]
1 kbps to 20 kbps:	4 MHz ^{Note}
1 kbps to less than 2.4 kbps:	4 MHz
2.4 kbps to 20 kbps:	8 MHz to 12 MHz

Note Set the NSPB[3:0] bits in the LWBRn register to 0011b (4 sampling).

In LIN slave mode [fixed baud rate] allows automatic detection of the break field, the sync field, and the ID field at a baud rate that is set in advance by the baud rate generator.

In LIN reset mode, setting the LMD bits in the LMDn register to 10b (LIN slave mode [auto baud rate]) and setting the OM1 and OM0 bit in the LCUCn register to 01b or 11b sets LIN slave mode [auto baud rate]; and setting the LMD bits in the LMDn register to 11b (LIN slave mode [fixed baud rate]), and setting the OM1 and OM0 bits in the LCUCn register to 01b or 11b sets LIN slave mode [fixed baud rate], turning the OMM1 and OMM0 bits in the LMSTn register to 01b or 11b.

When changing a submode to another submode within LIN mode, a transition to LIN reset mode should first be made and change the LMD bits in the LMDn register.

The LIN mode provides the following two operation modes:

- LIN operation mode
- LIN wake-up mode

Figure 17-4 shows the transition of operation modes. Table 17-6 describes the transition conditions of operation modes.

Figure 17-4. Transition of Operation Modes

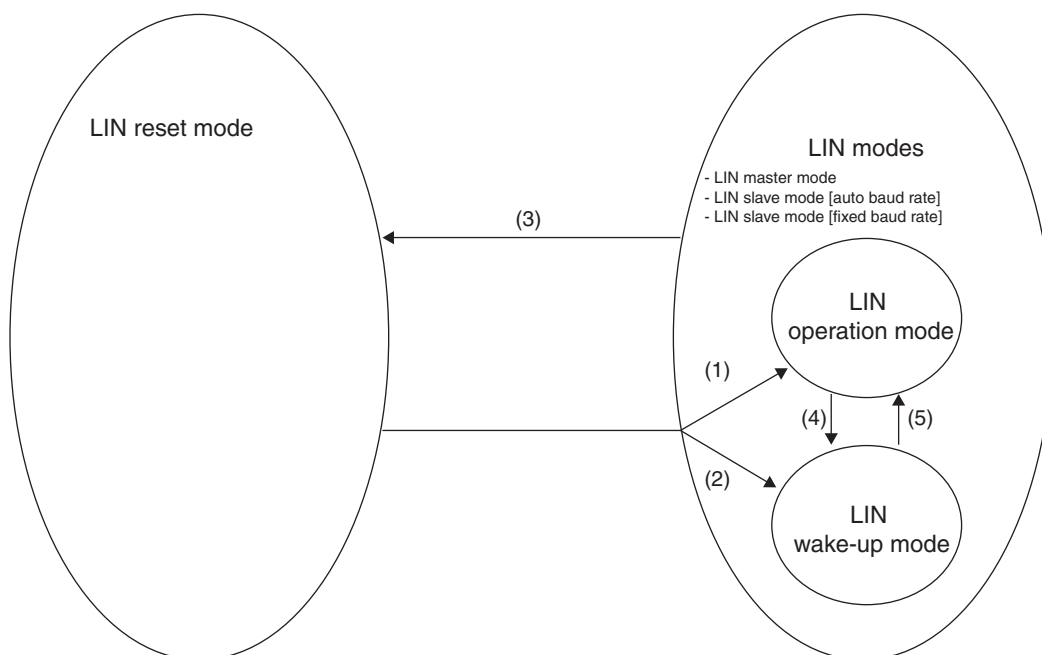


Table 17-6. Transition Conditions of Operation Modes

Step	Operation mode transition	Transition condition
(1)	LIN reset mode → LIN mode -LIN operation mode	LMD bits in LMDn register = 00b or 10b or 11b and OM1 and OM0 bits in LCUCn register = 11b
(2)	LIN reset mode → LIN mode -LIN wake-up mode	LMD bits in LMDn register = 00b or 10b or 11b and OM1 and OM0 bits in LCUCn register = 01b
(3) ^{Note 1}	LIN mode → LIN reset mode -LIN operation mode -LIN wake-up mode	OM0 bit in LCUCn register = 0b
(4) ^{Note 2}	LIN mode → LIN mode -LIN operation mode -LIN wake-up mode	OM1 and OM0 bits in LCUCn register = 01b
(5) ^{Note 2}	LIN mode → LIN mode -LIN wake-up mode -LIN operation mode	OM1 and OM0 bits in LCUCn register = 11b

- Notes**
1. When the LIN/UART module makes a transition from the LIN operating mode to the LIN reset mode while operating as a LIN slave (at a fixed baud rate), write 1 to the LINnEN bit in the PER2 register after having cleared the given bit to 0.
 2. Transition between LIN operation mode and LIN wake-up mode cannot be made when communication is going on (when the FTS bit in the LTRCn register is 1).

(1) LIN Operation Mode

In LIN operation mode, frame processing (header transmission, header reception, response transmission, response reception, and error detection) can be performed.

During a transition from LIN reset mode to LIN mode, setting the OM1 and OM0 bits in the LCUCn register to 11b changes the mode to LIN operation mode, changing the OMM1 and OMM0 bits in the LMSTn register to 11b. Communication settings should be performed after the LMSTn register has become 11b.

(2) LIN Wake-up Mode

In LIN wake-up mode, wake-up signal processing (wake-up transmission, wake-up reception, and error detection) can be performed.

During a transition from LIN reset mode to LIN mode, setting the OM1 and OM0 bits in the LCUCn register to 01b changes the mode to LIN wake-up mode, changing the OMM1 and OMM0 bits in the LMSTn register to 01b. Communication settings should be performed after the LMSTn register has become 01b.

17.3.3 UART Mode

In LIN reset mode, setting the LMD bits in the LMDn register to 01b (UART mode) and the OM0 bit in the LCUCn register to 1b changes the mode to UART mode, turning the OMM0 bit in the LMSTn register to 1b. Communication settings should be performed after the LMSTn register has become 01b.

17.3.4 LIN Self-Test Mode

Writing to the LSTCn register changes the mode to LIN self-test mode. The LSTM bit in the LSTCn register being 1 indicates that the mode has transitioned to the LIN self-test mode.

For further details of operations, see **17.6 LIN Self-Test Mode**.

17.4 LIN Mode

17.4.1 Operation Overview

(1) LIN Master Mode

(a) Header Transmission

Figure 17-5 shows the operation of the LIN/UART module (LIN master mode) in header transmission. Table 17-7 provides processing in header transmission.

Figure 17-5. Operation in Header Transmission

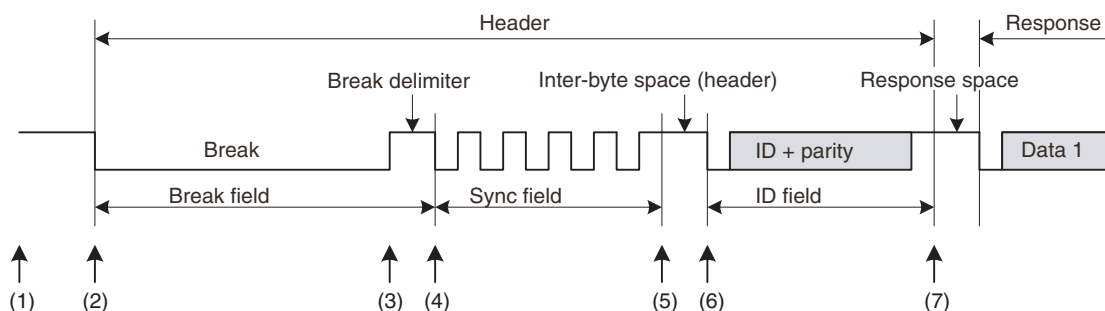


Table 17-7. Processing in Header Transmission

Step	Software processing	LIN/UART module processing
(1)	<ul style="list-style-type: none"> • Sets a baud rate • Sets noise filter ON/OFF • Enables interrupt • Enables error detection • Sets frame configuration parameters • Changes the LIN/UART module to the LIN master mode: LIN operation mode • Sets information on the frame to be transmitted (ID, parity, data length, response direction, Checksum method, and transmission data) 	Waits for the setting of the FTS bit in the LTRCn register by software (idle).
(2)	Sets the FTS bit in the LTRCn register to 1 (start a frame transmission or wake-up transmission/reception).	Transmits a break.
(3)	Waits for an interrupt request.	Transmits a break delimiter.
(4)		Transmits a sync field (55H).
(5)		Transmits an inter-byte space (header).
(6)		Transmits an ID field.
(7)		Sets a successful header transmission flag.

For information about error detection, refer to 17.4.6 Error Status.

(b) Response Transmission

Figure 17-6 shows the operation of the LIN/UART module (LIN master mode) in response transmission. Table 17-8 provides processing in response transmission.

Figure 17-6. Operation in Response Transmission

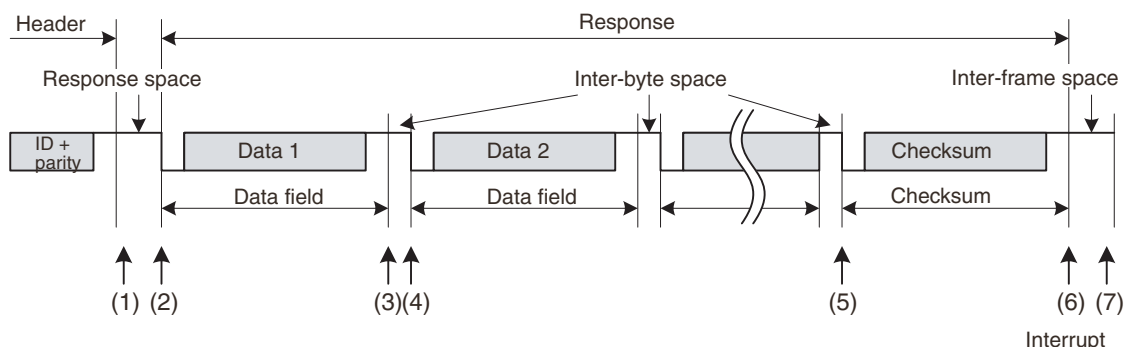


Table 17-8. Processing in Response Transmission

Step	Software processing	LIN/UART module processing
(1)	(When in frame separate mode) <ul style="list-style-type: none"> • Sets the RTS bit in the LTRCn register to 1 (response transmission/reception started). (When not in frame separate mode) <ul style="list-style-type: none"> • Waits for an interrupt request . 	(When in frame separate mode) <ul style="list-style-type: none"> • Waits for the setting of the RTS bit in the LTRCn register to 1 by software. • When the bit is set to 1, sends a response space. (When not in frame separate mode) <ul style="list-style-type: none"> • Sends a response space.
(2)	Waits for an interrupt request.	Transmits the data 1.
(3)		Transmits an inter-byte space.
(4)		<ul style="list-style-type: none"> • Transmits the data 2. • Transmits an inter-byte space • Transmits the data 3. • Transmits an inter-byte space (Repeats the transmission of inter-byte spaces as many times as the data length specified in bits RFDL[3:0] in the LDFCn register, and stops the transmission when the BER flag in the LESTn register is 1 (bit error detected). If an error occurs, does not perform the Checksum transmission in item (5)).
(5)		Transmits the checksum.
(6)		<ul style="list-style-type: none"> • Sets a successful frame/wake-up transmission flag. • Sets the FTS bit in the LTRCn register to 0 (frame transmission or wake-up transmission/reception stopped). (When in frame separate mode) <ul style="list-style-type: none"> • Sets the RTS bit in the LTRCn register to 0 (response transmission/reception stopped).
(7)	<ul style="list-style-type: none"> • Processing after communication • Checks the LSTn register and clears flags. 	Idle

For information about error detection, refer to **17.4.6 Error Status**.

(c) Response Reception

Figure 17-7 shows the operation of the LIN/UART module (LIN master mode) on response reception. Table 17-9 provides processing in response reception.

Figure 17-7. Operation in Response Reception

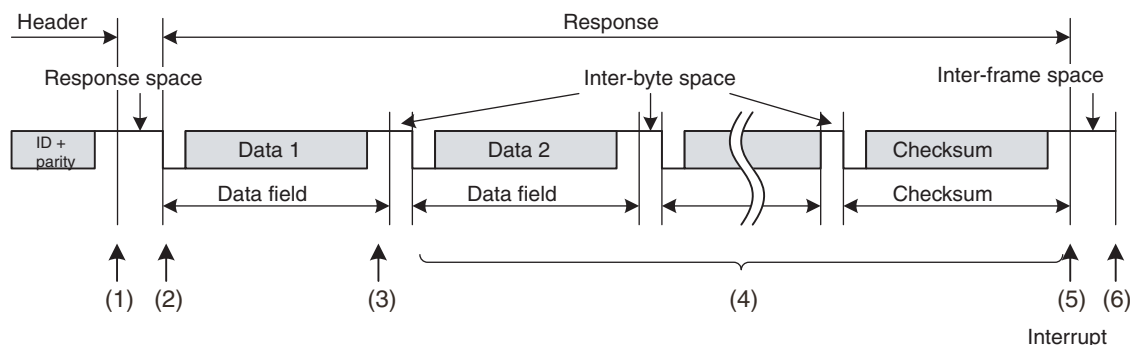


Table 17-9. Processing in Response Reception

Step	Software processing	LIN/UART module processing
(1)	Waits for an interrupt request (no processing).	Waits for detection of a start bit.
(2)		Receives the data 1 when the start bit is detected.
(3)		Sets the successful data 1 reception flag.
(4)		<ul style="list-style-type: none"> Receives the data 2 when the start bit is detected. Receives the data 3 when the start bit is detected. Repeats the transmission of inter-byte spaces as many times as the data length specified in bits RFDL[3:0] in the LDFCn register, and stops the transmission when any bit in the LESTn register is 1 (bit error detected). If an error occurs, the checksum determination in item (5) is not performed). <p style="text-align: center;">⋮</p> <ul style="list-style-type: none"> Receives the checksum when the start bit is detected.
(5)		<ul style="list-style-type: none"> Determines the checksum. Sets the successful frame/wake-up reception flag. Sets the FTS bit in the LTRCn register to 0 (frame transmission or wake-up transmission/reception stopped).
(6)	<ul style="list-style-type: none"> Processing after communication Reads the received data. Checks the LSTn register and clears flags. 	Idle

For information about error detection, refer to 17.4.6 Error Status.

(2) LIN Slave Mode
(a) Header Reception

Figure 17-8 shows the operation of the LIN/UART module (LIN slave mode) in header reception. Table 17-10 provides processing in header reception.

Figure 17-8. Operation in Header Reception

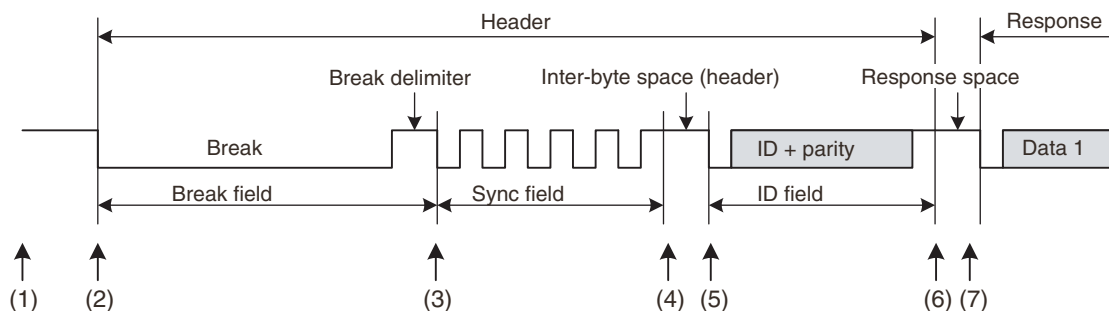


Table 17-10. Processing in Header Reception

Step	Software processing	LIN/UART module processing
(1)	<ul style="list-style-type: none"> • Sets a baud rate. • Sets noise filter ON/OFF. • Enables interrupt. • Enables error detection. • Sets frame configuration parameters. • Changes the LIN/UART module to the LIN slave mode: LIN operation mode. • Sets the FTS bit in the LTRCn register to 1 (header reception or wake-up transmission/reception started). 	Waits for the setting of the FTS bit in the LTRCn register by software.
(2)	Waits for an interrupt request.	Waits for detection of a break field.
(3)		Detects a break field (in the case of LIN slave mode [fixed baud rate]; for break field detection timing in the case of LIN slave mode [auto baud rate], see (1) Auto Baud Rate Correction Function).
(4)		<ul style="list-style-type: none"> • Detects a sync field (55H) • Sets the baud rate generator (in the case of LIN slave mode [auto baud rate]) • Clears the no-response request bit (LNRR bit).
(5)		<ul style="list-style-type: none"> • Receives an ID field. • Checks an ID parity bit
(6)		Sets a header reception complete flag.
(7)	<ul style="list-style-type: none"> • Checks the LSTn register and clears flags. • Checks the LIDBn register and prepares a response. 	<ul style="list-style-type: none"> • Completes a header reception process. • Waits for a response request.

n = 0-2

The LIN/UART module can receive a break field during transmission or reception of a frame. Here, a reception status interrupt might be generated on the detection of a framing error, bit error, etc, at the position of the stop bit of the frame preceding break field reception.

For information about error detection, refer to **17.4.6 Error Status**.

(1) Auto Baud Rate Correction Function

In LIN slave mode [auto baud rate], the system always measures the low-level widths that are received. If the first “Low” width is 10 times (if the BLT bit in the LBFCn register is “0”) or 11 times (if the BLT bit in the LBFCn register is “1”) or greater calculated from the average of the starting 2 bits (the period of the consecutive fall edges from the beginning of the sync field) of the sync field, the system concludes that the detection of a break field was successful, and verifies that the data in the sync field is 55H. When confirming that the data is 55H and the reception of the sync field is successful, the system automatically sets the baud rate correction results in the LBRPn1 and LBRPn0 registers.

If data is received up to the ID field without error, a successful header reception interrupt is generated at the stop bit position.

If the sync field data is not 55H, the system concludes that the detection of a sync field failed, and sets a sync field error flag, and generates an error detection interrupt.

In such a case, the LIN/UART module waits for the detection of another break field (“Low”) without baud rate correction.

Figure 17-9. Header Reception in LIN Slave Mode [Auto Baud Rate] (in Normal Operation)

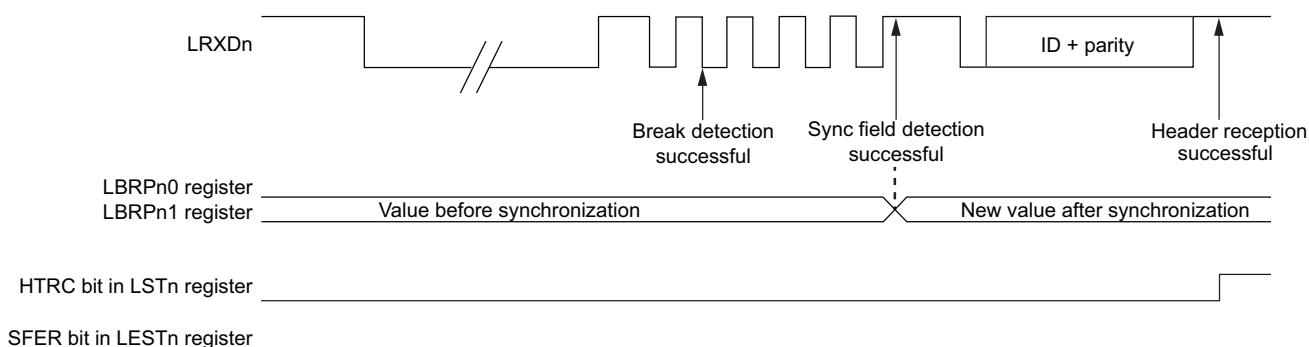
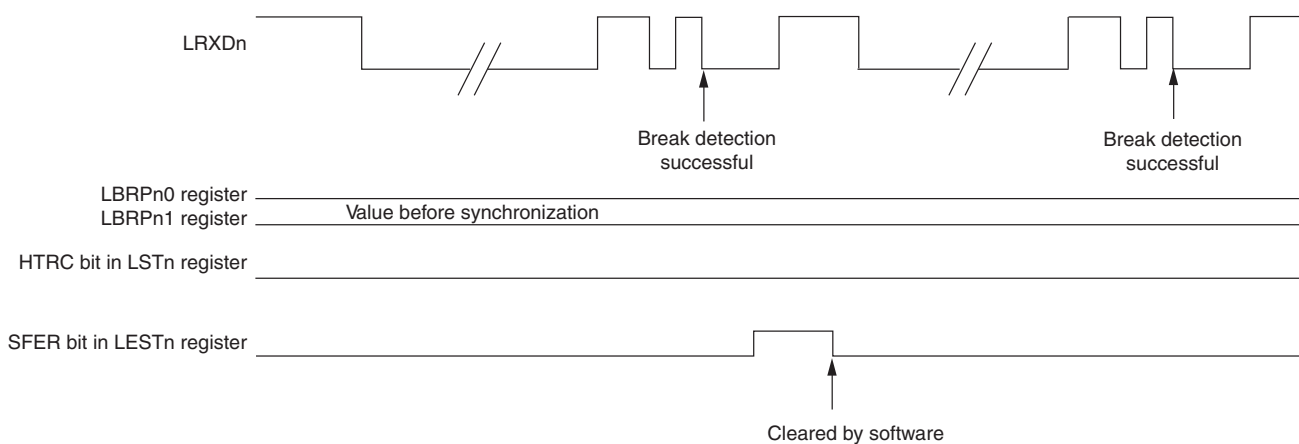


Figure 17-10. Header Reception in LIN Slave Mode [Auto Baud Rate] (Sync Field Error)



(b) Response Transmission

Figure 17-11 shows the operation of the LIN/UART module (in LIN slave mode) in response transmission. Table 17-11 provides processing in response transmission.

Figure 17-11. Operation in Response Transmission

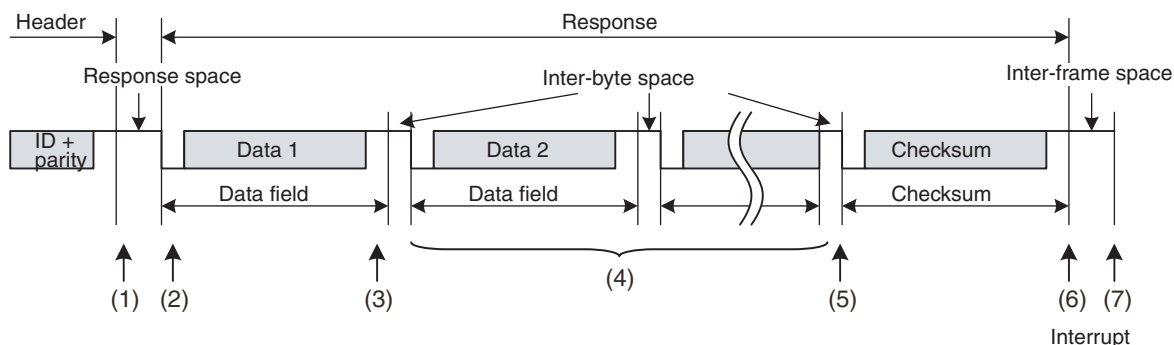


Table 17-11. Processing in Response Transmission

Step	Software processing	LIN/UART module processing
(1)	<ul style="list-style-type: none"> • Sets the LDFCn register. • Sets the LDBnm register. • Sets the RTS bit in the LTRCn register to 1 (response transmission/reception started). 	<ul style="list-style-type: none"> • Waits for the setting by software of the RTS bit or the LNRR bit in the LTRCn register. • Sends a response space after the RTS bit in the LTRCn register is set to 1.
(2)	Waits for an interrupt request.	Transmits the data 1.
(3)		Transmits the inter-byte space.
(4)		<ul style="list-style-type: none"> • Transmits the data 2. • Transmits an inter-byte space • Transmits the data 3. • Transmits an inter-byte space (Repeats the transmission of inter-byte spaces as many times as the data length specified in bits RFDL[3:0] in the LDFCn register, and stops the transmission when the BER bit in the LESTn register is 1 (bit error detected). If an error occurs, the checksum transmission in item (5) is not performed). :
(5)		Transmits the checksum.
(6)		<ul style="list-style-type: none"> • Sets a successful frame/wake-up transmission flag or an error flag. • Sets the RTS bit in the LTRCn register to 0 (response transmission/reception stopped)
(7)	<ul style="list-style-type: none"> • Processing after communication • Checks the LSTn register and clears flags. 	<ul style="list-style-type: none"> • Completes the response transmission process. • Waits for a new break.

The LIN/UART module can receive a break field during the transmission or reception of a frame. Here, a reception status interrupt might be generated on the detection of a framing error, bit error, etc., at the position of the stop bit of the frame preceding break field reception.

For information about error detection, refer to **17.4.6 Error Status**.

(c) Response Reception

Figure 17-12 shows the operation of the LIN/UART module (LIN slave mode) in response reception. Table 17-12 provides processing in response reception.

Figure 17-12. Operation in Response Reception

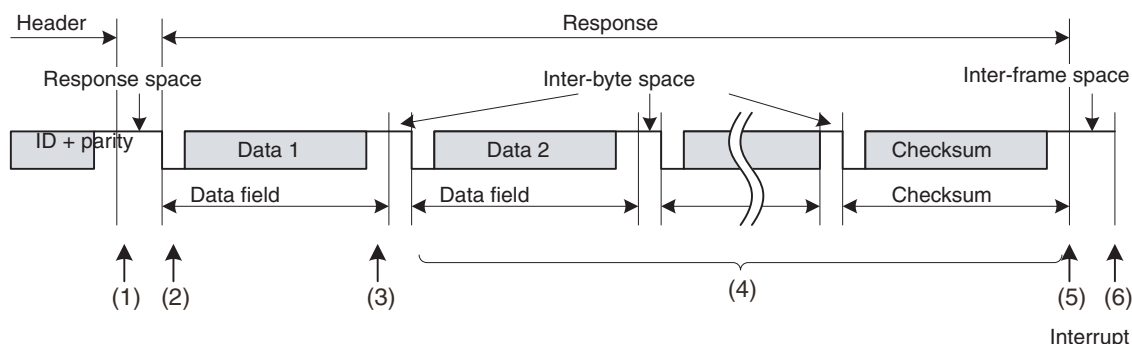


Table 17-12. Processing in Response Reception

Step	Software processing	LIN/UART module processing
(1)	<ul style="list-style-type: none"> • Sets the LDFCn register. • Sets the RTS bit in the LTRCn register to 1 (response transmission/reception started). 	<ul style="list-style-type: none"> • Waits for the setting by software of the RTS bit or the LNRR bit in the LTRCn register. • Waits for detection of the start bit.
(2)	Waits for an interrupt request.	Receives the data 1 when the start bit is detected.
(3)		Sets the successful data 1 reception flag.
(4)		<ul style="list-style-type: none"> • Receives the data 2 when the start bit is detected. • Receives the data 3 when the start bit is detected. Repeats the transmission of inter-byte spaces as many times as the data length specified in bits RFDL[3:0] in the LDFCn register, and stops the transmission when any bit in the LESTn register is 1 (bit error detected). If an error occurs, the checksum determination in item (5) is not performed. • Receives the checksum when the start bit is detected.
(5)		<ul style="list-style-type: none"> • Determines the checksum. • Sets a successful frame/wake-up reception flag or an error flag. • Sets the RTS bit in the LTRCn register to 0 (response transmission/reception stopped).
(6)	<ul style="list-style-type: none"> • Processing after communication Reads the received data. Checks the LSTn register and clears flags. 	<ul style="list-style-type: none"> • Completes the response process. • Waits for a new break.

The LIN/UART module can receive a break field during the transmission or reception of a frame. Here, a reception status interrupt might be generated on the detection of a framing error, bit error, etc. at the position of the stop bit of the frame preceding break field reception.

For information about error detection, refer to 17.4.6 Error Status.

(d) No-Response Request

Figure 17-13 shows the operation of the LIN/UART module (LIN slave mode) when no response is requested. Table 17-13 shows the processing that occurs when no response is requested.

Figure 17-13. Operation when No Response is Requested

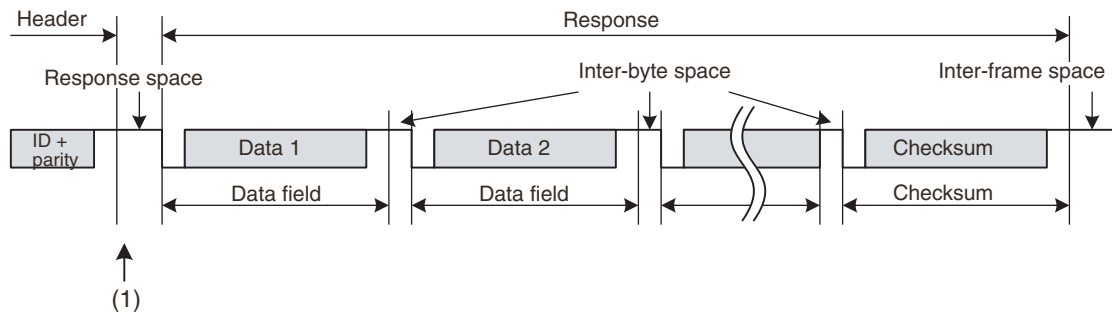


Table 17-13. Processing when No Response is Requested

Step	Software processing	LIN/UART module processing
(1)	<ul style="list-style-type: none"> Sets the no-response request bit (LNRR bit) to 1. 	<ul style="list-style-type: none"> Waits for the setting of the no-response request bit (LNRR bit) by software. Completes the frame reception process. Waits for a new break.

17.4.2 Data Transmission/Reception

(1) Data Transmission

One bit of data is transmitted per 1 Tbit.

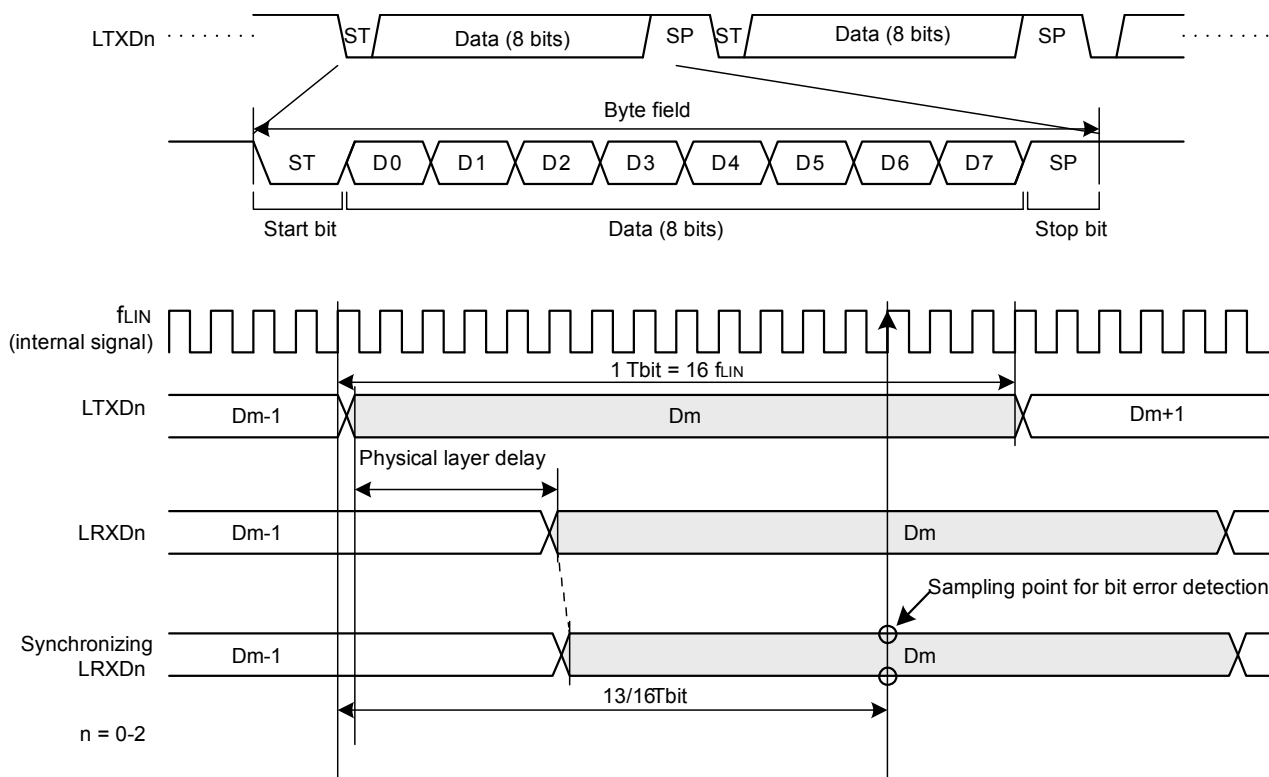
The data that is transmitted returns to the reception data input pin via the LIN transceiver. The received data and the transmitted data is compared bit by bit, and the results are stored in the BER flag in the LESTn register (see 17.4.6 Error Status).

In LIN master mode and LIN slave mode [fixed baud rate], 1 Tbit is generated to be 16f_{LIN}, and thus the sampling point for received data is at the 13th clock cycle (81.25% position).

In LIN slave mode [auto baud rate], if 1 Tbit is generated to be 4f_{LIN}, the sampling point for received data is at the third clock cycle (75% position). If 1 Tbit is generated to be 8f_{LIN}, the sampling point for received data is at the 7th clock cycle (87.5% position).

Figure 17-14 shows an example of data transmission timing.

Figure 17-14. Example of Data Transmission Timing (LIN Master Mode, LIN Slave Mode [Fixed Baud Rate])



(2) Data Reception

Data reception is performed by using the synchronized LRXDn signal (an internal signal) that is the input from the LRXDn pin synchronized with prescaler clock.

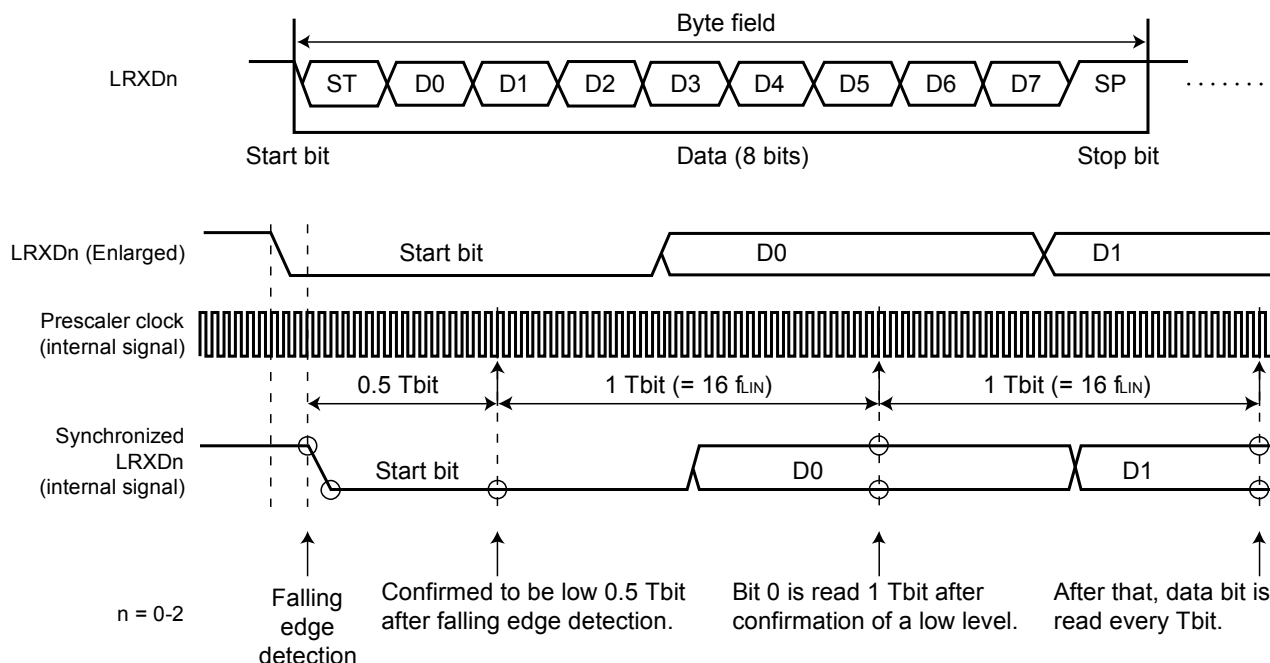
The byte field is synchronized at the falling edge of the start bit for the synchronized LRXDn signal. After the falling edge is detected, sampling is performed again 0.5 Tbit later, and the falling edge is recognized as a start bit if the synchronized LRXDn signal is low. The falling edge is not recognized as a start bit if the LRXDn signal after the clearing of the resetting is low-fixed or if a high level is detected on re-sampling.

After the start bit is detected, the system samples 1 bit per Tbit.

The LIN/UART module has a noise filter function with respect to reception data. If the LRDNFS bit in the LMDn register is 0, the LIN/UART module uses a noise filter, and for a sampling value the value determined by a 3-sampling majority rule on prescaler clocks is used. If the LRDNFS bit in the LMDn register is 1, the LIN/UART module does not use a noise filter, and for a sampling value the value of the synchronized LRXDn value at the sampling position is used as is.

Figure 17-15 shows an example of data reception timing.

Figure 17-15. Example of Data Reception Timing (LIN Master Mode, LIN Slave Mode [Fixed Baud Rate])



17.4.3 Transmission/Reception Data Buffering

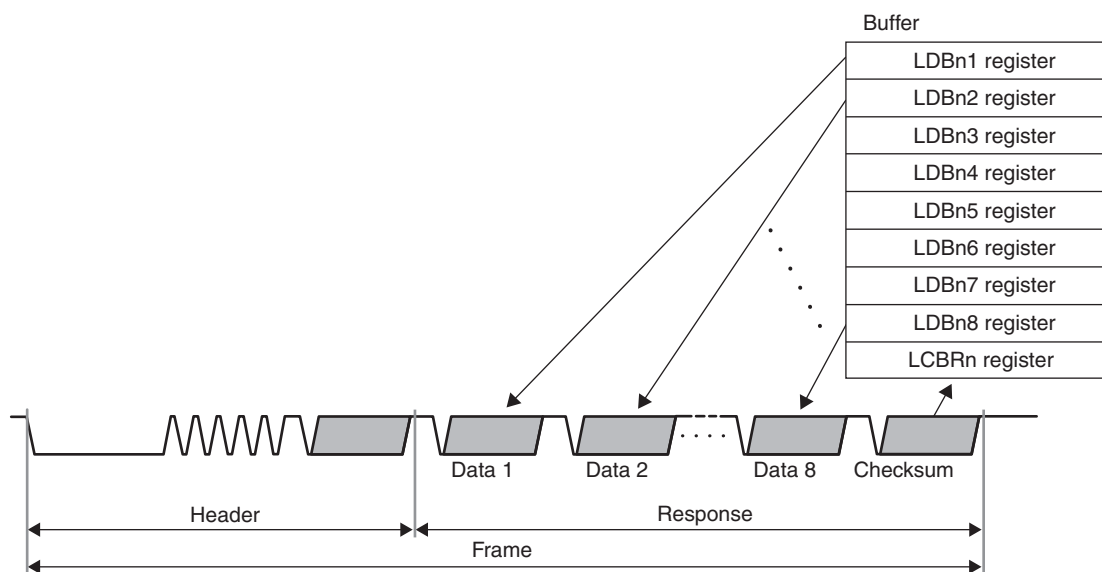
This section explains the buffer processing that takes place when the LIN/UART module sends or receives data continuously.

(1) Transmission of LIN Frames

For an 8-byte transmission, the contents stored in registers LDBn1 to LDBn8 are sequentially transmitted to data areas 1 to 8 of the LIN frame. In the case of a 4-byte transmission, the contents stored in registers LDBn1 to LDBn4 are transmitted to data areas 1 to 4 of the LIN frame, but the contents of registers LDBn5 to LDBn8 are not transmitted. The transmitted checksum data is stored in the LCBn register.

Figure 17-16 depicts the LIN transmission processing and the required buffer.

Figure 17-16. LIN Transmission Processing and Required Buffer



(a) Frame Separate Mode

Setting the FSM bit in the LDFCn register to 1 turns on the frame separate mode.

In frame separate mode, a header and a response are transmitted when prompted by separate transmission start requests.

When the transmission of a header is finished, the HTRC flag in the LSTn register turns 1 (successful header transmission).

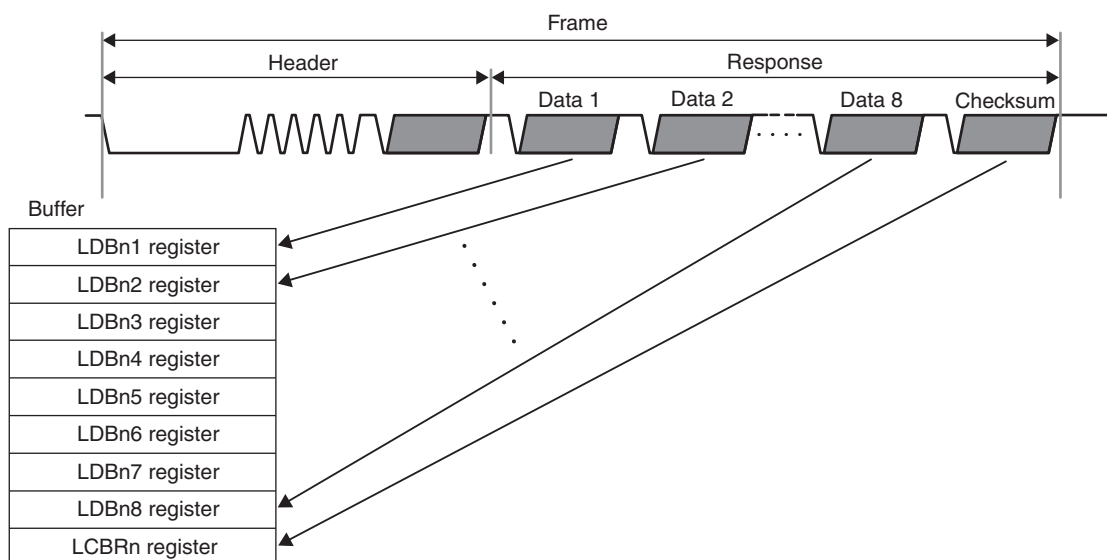
Use frame separate mode when sending or receiving response data of 9 bytes or greater in LIN master mode.

(2) Reception of LIN Frames

For an 8-byte reception, the contents of data areas 1 to 8 of the LIN frame is stored in registers LDBn1 to LDBn8, respectively, upon receipt of a stop bit. In the case of a 4-byte reception, the contents of data areas 1 to 4 of the LIN frame are stored in registers LDBn1 to LDBn4, respectively; however, no data is stored in registers LDBn5 to LDBn8. Also, the received checksum data is stored in the LCBn register.

Figure 17-17 depicts the LIN reception processing and the required buffer.

Figure 17-17. LIN Reception Processing and Required Buffer



(a) Reception of Data 1

When the reception of the first byte of data is finished, the D1RC flag in the LSTn register turns 1 (successful data 1 reception).

(3) Multi-Byte Response Transmission/Reception Function

Normally in LIN communications, a response is 9 bytes or less (including a checksum field); however, responses in 10 bytes or greater can also be sent and received.

In such a case, the bit error, framing error, response preparation error detection, and auto checksum functions are enabled.

If the data length is greater than 8 bytes, the LSS bit should be set to 1 (indicating that the next data group to be sent or received is not the final data group) in the first data group (variable in 0 to 8 bytes) before sending or receiving the data group. After the transmission or reception, the user should determine whether the next data group is the final data group. If it is the final data group, the LSS bit should be set to 0 (indicating that the next data group to be sent or received is the final data group), and a checksum should be appended to the final data group.

By changing the RFDL bit settings when the RTS bit is 0, the user can change the data length for each data group.

When performing multi-byte response transmission/reception in LIN master mode, set the FSM bit in the LDFCn register to 1 (frame separate mode).

Caution In LIN slave mode, the LIN/UART module can detect a new break field during the transmission or reception of a response.

17.4.4 Wake-up Transmission/Reception

The wake-up transmission/reception can be used in LIN wake-up mode.

(1) Wake-up Transmission

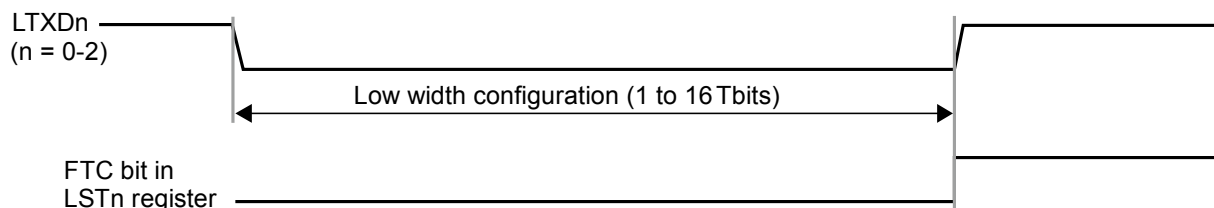
In LIN wake-up mode, setting the RCDS bit in the LDFCn register to 1 (transmission) and the FTS bit in the LTRCn register to 1 (header reception or wake-up transmission/reception started) causes a wake-up signal to be output from the output pin. The low width of the wake-up signal should be set using the WUTL[3:0] bits in the LWUPn register. However, when the LWBR0 bit in the LWBRn register is 1 in LIN master mode, the low width is defined based on f_{LIN} as the LIN system clock (f_{LIN}) regardless of the setting of LCKS bits in the LMDn register. Setting the baud rate to 19200 bps with f_a selected and setting the WUTL[3:0] bits in the LWUPn register to 0100b (5 Tbits) allows 260 μ s low level width of the signal to be output in LIN wake-up mode regardless of the setting of LCKS bits in the LMDn register.

If a wake-up low is output without any bit error, the FTC flag in the LSTn register turns 1 (successful response or wake-up transmission); when the FTCIE bit in the LIEn register is 1 (successful response/wakeup transmission interrupt enabled), an interrupt request is generated.

If a bit error is detected, wake-up transmission is canceled and the BER flag in the LESTn register is set to 1 (bit error detection).

Figure 17-18 shows the wake-up transmission timing.

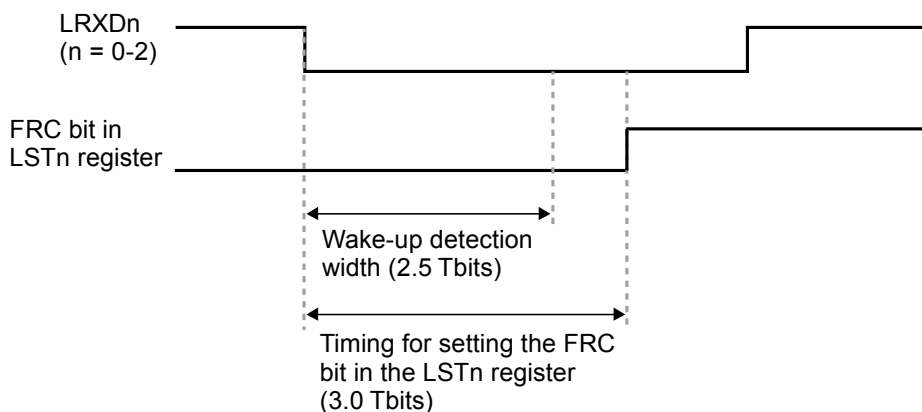
Figure 17-18. Wake-up Transmission Timing



(2) Wake-up Reception

The detection of a wake-up signal involves the use of an input signal low width count function. The input signal low width count function measures the low width of the input signal to the LRXDn pin, using the same sampling point as data reception. The function can measure the input signal low width of 2.5 Tbits or greater. In LIN master mode, appropriately setting the LWBR0 bit in the LWBRn register allows switching between LIN operation mode and LIN wake-up mode without changing any baud rate generator setting. Set the LWBR0 bit in the LWBRn register to 0 when LIN Specification Package Revision 1.3 is used, and set it to 1 when LIN Specification Package Revision 2.x is used. When the LWBR0 bit is set to 1, fa is always selected as the LIN system clock (f_{LIN}) regardless of the setting of LCKS bits in the LMDn register (setting of LCKS bits not affected). Setting the baud rate to 19200 bps with fa selected allows 130 μs or longer low level width of the input signal to be detected regardless of the setting of LCKS bits in the LMDn register. When using this function, in LIN wake-up mode, set the RFT bit in the LDFCn register to 0 (LIN master mode: reception), or RCDS bit to 0 (LIN slave mode: reception), and the FTS bit in the LTRCn register to 1 (LIN master mode: frame transmission or wake-up transmission/reception started; LIN slave mode: header reception or wake-up transmission/reception started). When the low width to be measured is reached, the FRC flag in the LSTn register turns 1 (successful response/wake-up reception). If the FRCIE bit in the LIEn register is 1 (successful response or wake-up reception interrupt enabled), an interrupt request is generated.

Figure 17-19. Input Signal Low Count Function



17.4.5 Status

During LIN mode operation, the LIN/UART module can detect seven types of statuses.

The four statuses, successful frame/wake-up transmission, successful frame/wake-up reception, error detection, successful header transmission//header reception, can generate interrupt requests.

Table 17-14 shows the types of statuses available in LIN master mode. Table 17-15 lists the types of statuses available in LIN slave mode [auto baud rate] and in LIN slave mode [fixed baud rate].

Table 17-14. Types of Statuses in LIN Master Mode

Status	Status set condition	Status clear condition	Operation mode capable of status detection	Corresponding bit	Interrupt
Reset	After the OM0 bit in the LCUCn register is set to not-LIN-reset-mode, if actually the LIN/UART module is cleared from LIN reset mode.	After the OM0 bit in the LCUCn register is set to LIN reset mode, if actually the LIN/UART module enters LIN reset mode.	All modes	OMM0 bit in LMSTn register	Not available
Operation mode	After the OM1 bit in the LCUCn register is set to LIN operation mode, if actually the LIN/UART module enters LIN operation mode.	After the OM1 bit in the LCUCn register is set to LIN wake-up mode, if actually the LIN/UART module enters LIN wake-up mode.	<ul style="list-style-type: none"> LIN operation mode LIN wake-up mode 	OMM1 bit in LMSTn register	Not available
Frame/wake-up transmission end	When a frame (header transmission + response transmission), a wake-up signal, or a data group is transmitted successfully.	<ul style="list-style-type: none"> When another communication is started When cleared by software After transition to LIN reset mode 	<ul style="list-style-type: none"> LIN operation mode LIN wake-up mode 	FTC flag in LSTn register	Available
Frame/wake-up reception end	When a frame (header transmission + response reception), a wake-up signal, or a data group is received successfully.	<ul style="list-style-type: none"> When another communication is started When cleared by software After transition to LIN reset mode 	<ul style="list-style-type: none"> LIN operation mode LIN wake-up mode 	FRC flag in LSTn register	Available
Error detection	If any of the PRER flag, CSER flag, FER flag, FTER flag, PBER flag, and BER flags in the LESTn register turns 1 (error detected).	<ul style="list-style-type: none"> When another communication is started When cleared by software After transition to LIN reset mode 	<ul style="list-style-type: none"> LIN operation mode LIN wake-up mode 	ERR flag in LSTn register	Available
Data 1 reception end	The RFT bit in the LDFCn register is 0 (reception) and the first byte of the response field is received ^{Note 2} .	<ul style="list-style-type: none"> When another communication is started When cleared by software After transition to LIN reset mode 	LIN operation mode	D1RC flag in LSTn register	Not available
Header reception end	When a header field is received successfully.	<ul style="list-style-type: none"> When another communication is started When cleared by software After transition to LIN reset mode 	LIN operation mode	HTRC flag in LSTn register	Available

Notes 1. In LIN wake-up mode and LIN operation mode, the ERR flag in the LSTn register is cleared to 0 by writing 0 to the PRER flag, CSER flag, FER flag, FTER flag, PBER flag or BER flags in the LESTn register.

2. Not detected when the RFDL[3:0] bits in the LDFCn register are 0000b (0-byte + checksum).

Table 17-15. Types of Statuses in LIN Slave Mode

Status	Status set condition	Status clear condition	Operation mode capable of detecting a status	Corresponding bit	Interrupt
Reset	After the OM0 bit in the LCUCn register is set to not-LIN-reset mode, if actually the LIN/UART module is cleared from LIN reset mode.	After the OM0 bit in the LCUCn register is set to LIN reset mode, if actually the LIN/UART module enters LIN reset mode.	All modes	OMM0 bit in LMSTn register	Not available
Operation mode	After the OM1 bit in the LCUCn register is set to LIN operation mode, if actually the LIN/UART module enters LIN operation mode.	After the OM1 bit in the LCUCn register is set to LIN wake-up mode, if actually the LIN/UART module enters LIN wake-up mode.	<ul style="list-style-type: none"> • LIN operation mode • LIN wake-up mode 	OMM1 bit in LMSTn register	Not available
Frame/wake-up transmission end	When a response field, a wake-up signal, or a data group is transmitted successfully.	<ul style="list-style-type: none"> • When cleared by software • After transition to LIN reset mode 	<ul style="list-style-type: none"> • LIN operation mode • LIN wake-up mode 	FTC flag in LSTn register	Available
Frame/wake-up reception end	When a response field, a wake-up signal, or a data group is received successfully.	<ul style="list-style-type: none"> • When cleared by software • After transition to LIN reset mode 	<ul style="list-style-type: none"> • LIN operation mode • LIN wake-up mode 	FRC flag in LSTn register	Available
Error detection	If any of the PRER flag, IPER flag, CSER flag, SFER flag, FER flag, TER flag, and BER flags in the LESTn register turns 1 (error detected).	<ul style="list-style-type: none"> • When cleared by software <small>Note 1</small> • After transition to LIN reset mode 	<ul style="list-style-type: none"> • LIN operation mode • LIN wake-up mode 	ERR flag in LSTn register	Available
Data 1 reception end	The RCDS bit in the LDFCn register is 0 (reception) and the first byte of the response field is received ^{Note 2} .	<ul style="list-style-type: none"> • When cleared by software • After transition to LIN reset mode 	LIN operation mode	D1RC flag in LSTn register	Not available
Header reception end	When a header field is received successfully.	<ul style="list-style-type: none"> • When cleared by software • After transition to LIN reset mode 	LIN operation mode	HTRC flag in LSTn register	Available

- Notes**
1. In LIN wake-up mode and LIN operation mode, the ERR flag in the LSTn register is cleared to 0 by writing 0 to the PRER flag, IPER flag, CSER flag, SFER flag, FER flag, TER flag or BER flags in the LESTn register.
 2. Not detected when the RFDL[3:0] bits in the LDFCn register are 0000b (0-byte + checksum).

17.4.6 Error Status

(1) LIN Master Mode

(a) Types of Error Statuses

The LIN/UART module can detect six types of error statuses in LIN master mode. The condition of these error statuses can be checked by means of the corresponding bits in the LESTn register.

All error statuses represent interrupt events.

Table 17-16 shows the types of error statuses.

Table 17-16. Types of Error Statuses in LIN Master Mode

Status	Error detection condition	Operation mode capable of error detection	Communication	Enable/disable detection	Corresponding bit
Bit error	The transmitted data and the data on the LIN bus monitored by the receive pin do not match ^{Note 1, 2}	<ul style="list-style-type: none"> LIN operation mode LIN wake-up mode 	Cancel	○	BER flag in LESTn register
Physical bus error	<ul style="list-style-type: none"> LIN bus is detected to be high when sending a break LIN bus is detected to be low when sending a break delimiter LIN bus is detected to be high when sending a wake-up 	<ul style="list-style-type: none"> LIN operation mode LIN wake-up mode 	Cancel	○	PBER flag in LESTn register
Timeout error	A frame or response transmission/reception does not terminate within a given time ^{Note 3}	LIN operation mode	Cancel	○	FTER flag in LESTn register
Framing error	In response field reception, a stop bit of each data byte is low	LIN operation mode	Cancel	○	FER flag in LESTn register
Checksum error	In response field reception, the result of checksum test gives an error	LIN operation mode	—	×	CSER flag in LESTn register
Response preparation error	The following conditions occur in frame separate mode: <ul style="list-style-type: none"> The first reception data byte is received after completion of header transmission but before a response transmission/reception request is set The first reception data byte is received after completion of the previous data group reception but before a transmission/reception request for another data group is set 	LIN operation mode	Cancel	×	RPER flag in LESTn register

Notes 1. If a bit error is detected, the process is canceled after a stop bit is sent. If a bit error is detected in a non-data area, such as an inter-byte space, the transmission is canceled immediately after transmission of error bit. If a bit error is detected during the transmission of a wake-up, the transmission of the wake-up is canceled after the error-causing bit is sent.

2. In multi-byte response transmission, a bit error can be detected between data groups.

3. The timeout time depends on the response field data length (the RFDL[3:0] bits in the LDFCn register) and the checksum selection (the CSM bit in the LDFCn register), and this can be calculated according to the following formula:

Timeout time is 8 data bytes until setting of LTRCn register in frame separate mode (FSM bit of LDFCn register is set to 1).

[Frame timeout]

- On classic selection (when the CSM bit in the LDFCn register is 0):
Timeout time = 49 + (number of data bytes + 1) × 14 [Tbit]
- On enhanced selection (when the CSM bit in the LDFCn register is 1):
Timeout time = 48 + (number of data bytes + 1) × 14 [Tbit]

The aforementioned timeout time is a time greater than the TFRAME_MAX of LIN Specification Package Revision 1.3 on classic selection, or the TFRAME_MAX of LIN Specification Package Revision 2.x on enhanced selection.

[Response timeout]

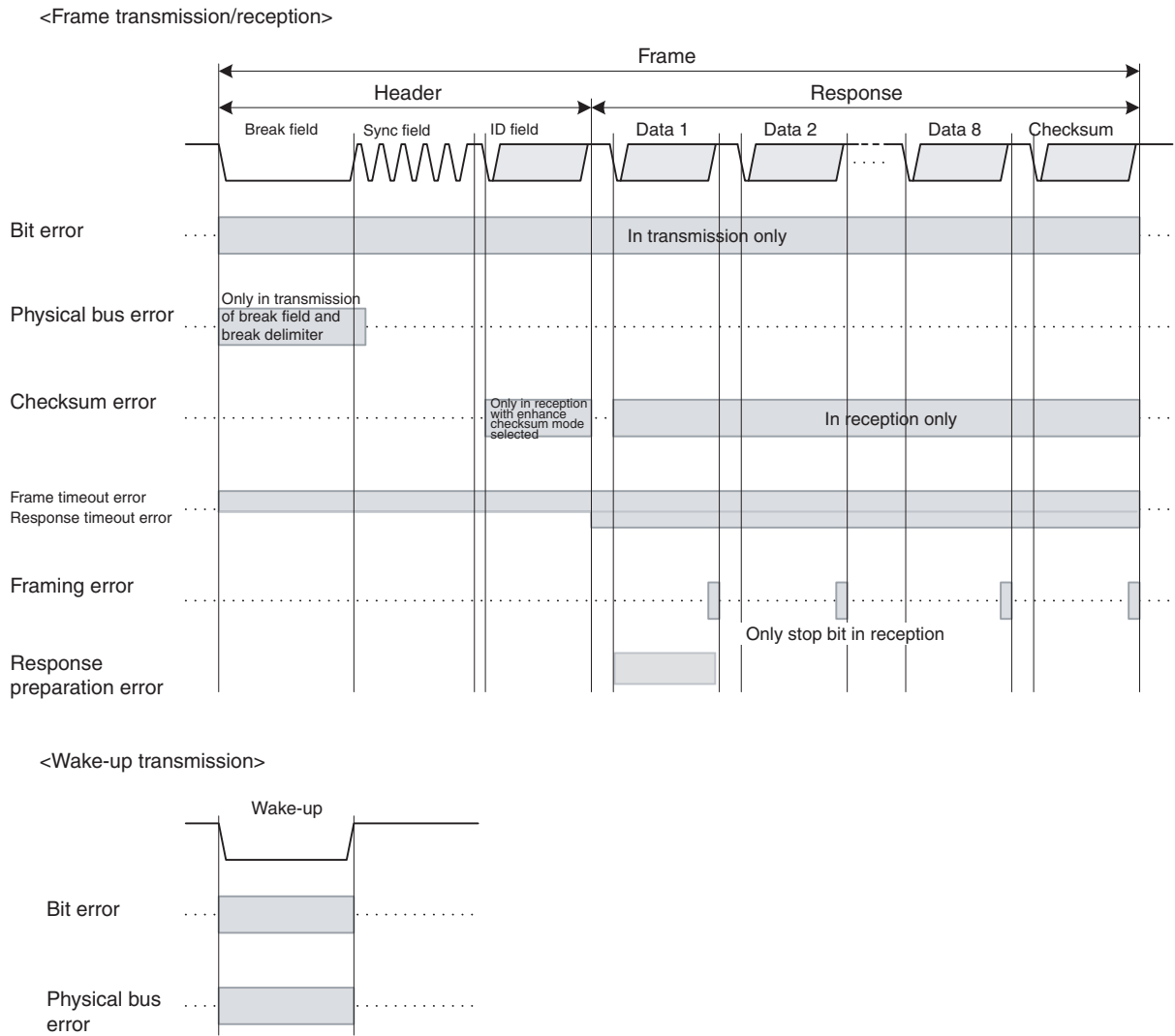
Timeout time = (number of data bytes + 1) × 14 [Tbit]

Caution The error status is cleared when another communication is started, when cleared by software, or after transition to LIN reset mode.

(b) Target Time Area for LIN Error Detection

Figure 17-20 shows the time domain in which the LIN/UART module in master mode performs monitoring for error detection.

Figure 17-20. Target Time Area for LIN Error Detection (LIN Master Mode)



(2) LIN Slave Mode**(a) Types of Error Statuses**

The LIN/UART module can detect seven types of error statuses in LIN slave mode [auto baud rate] or in LIN slave mode [fixed baud rate]. These error statuses can be verified by checking the corresponding bits in the LESTn register.

Table 17-17 shows the types of error statuses.

Table 17-17. Types of Error Statuses in LIN Slave Mode

Status	Error detection condition	Operation mode capable of error detection	Communication	Enable/disable detection	Corresponding bit
Bit error	The transmitted data and the data on the LIN bus monitored by the receive pin do not match ^{Notes 1, 2}	<ul style="list-style-type: none"> LIN operation mode LIN wake-up mode 	Cancel	○	BER flag in LESTn register
Timeout error	A frame or response transmission/reception does not terminate within a given time ^{Note 3}	LIN operation mode	Cancel	○	TER flag in LESTn register
Framing error	In frame reception, a stop bit of each data byte is low	LIN operation mode	Cancel	○	FER flag in LESTn register
Sync field error	If the width of the break low is greater than the width set by the BLT bit in the LBFCn register and the sync field is not 55H	LIN operation mode	Cancel	○ Note 4	SFER flag in LESTn register
Checksum error	In response frame reception, the result of checksum test gives an error	LIN operation mode	— Note 5	×	CSER flag in LESTn register
ID parity error	If the received ID parity bit does not match the value that is automatically calculated by the LIN/UART module	LIN operation mode	Cancel	○	IPER flag in LESTn register
Response preparation error	<ul style="list-style-type: none"> After the reception of a header, before the first reception data byte is received, response preparation is not made in time. During a multi-byte response transmission/reception, before the first reception data byte of another data group is received, preparation for another data group is not made in time. 	LIN operation mode	Cancel	×	RPER flag in LESTn register

Notes 1. If a bit error is detected, the process is canceled after a stop bit is sent. If a bit error is detected in a non-data area, such as an inter-byte space, the transmission is canceled immediately after transmission of error bit. If a bit error is detected during the transmission of a wake-up, the transmission of the wake-up is canceled after the error-causing bit is sent.

2. In multi-byte response transmission, a bit error can be detected between data groups.

3. The timeout time depends on the response field data length (the RFDL[3:0] bits in the LDFCn register) and the checksum selection (the LCS bit in the LDFCn register), and this can be calculated according to the following formulae:

Until the RTS or LNRR bit in the LTRCn register is set, the timeout time is set based on 8-byte data. Once the RTS bit is set, the timeout time is re-set based on the response field data length (the RFDL[3:0] bits in the LDFCn register). When the LNRR bit is set, the timeout function is stopped.

[Frame timeout]

- On classic selection (when the CSM bit in the LDFCn register is 0)
Timeout time = 49 + (number of data bytes + 1) × 14 [Tbit]
- On enhanced selection (when the CSM bit in the LDFCn register is 1)
Timeout time = 48 + (number of data bytes + 1) × 14 [Tbit]

The aforementioned timeout time is a time greater than the TFRAME_MAX of LIN Specification Package Revision 1.3 on classic selection, or the TFRAME_MAX of LIN Specification Package Revision 2.x on enhanced selection.

[Response timeout]

Timeout time = (number of data bytes + 1) × 14 [Tbit]

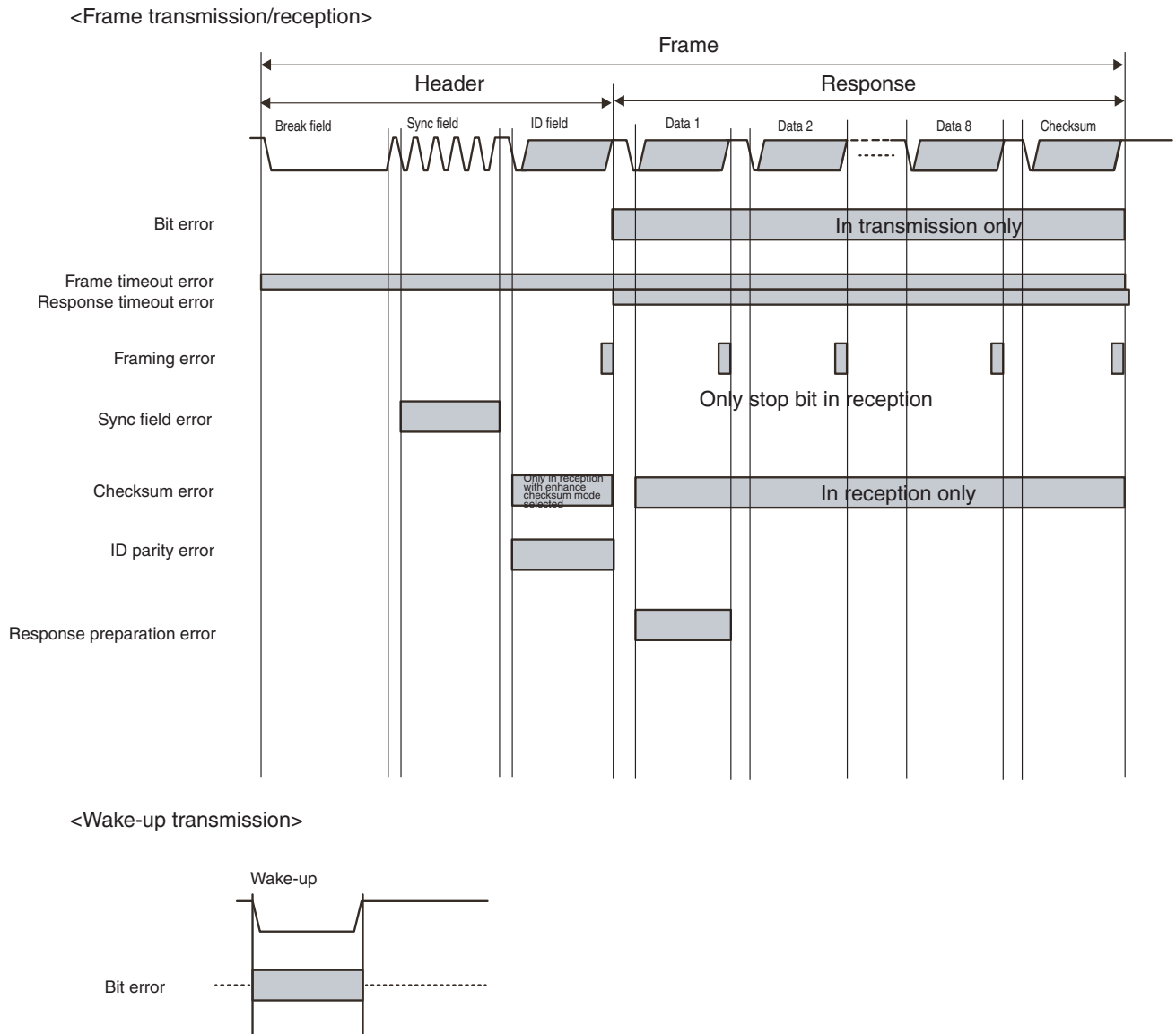
4. Only indication in the SFER flag can be enabled or disabled; error detection cannot be enabled or disabled.
5. Checksum determination is performed after response frame reception is completed. If the result is determined as an error, the successful reception flag is not set to 1.

Caution The error status is cleared when cleared by software or after transition to LIN reset mode.

(b) Target Time Area for LIN Error Detection

Figure 17-21 shows the time domain in which the LIN/UART module in slave mode performs monitoring for error detection.

Figure 17-21. Target Time Area for LIN Error Detection (LIN Slave Mode)



17.5 UART Mode

17.5.1 Operation Overview

(1) Transmission

Figure 17-22 shows LIN/UART module (in UART mode) transmission operations; Table 17-18 shows LIN/UART module (in UART mode) transmission processing.

Figure 17-22. LIN/UART Module (in UART mode) Transmission Operation

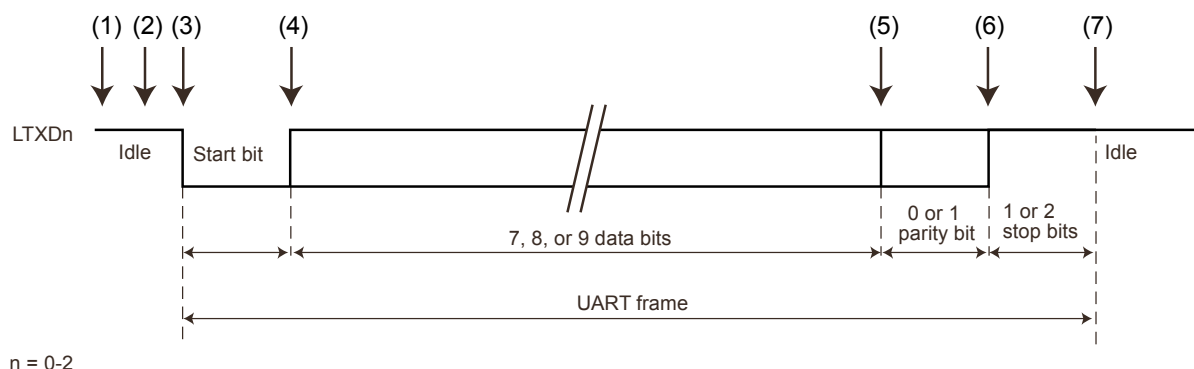


Table 17-18. LIN/UART Module (UART Mode) Transmission Processing

Step	Software processing	LIN/UART module processing
(1)	<ul style="list-style-type: none"> • Sets a baud rate. • Sets noise filter ON/OFF. • Sets error detection enable. • Sets data format • Sets an interrupt generation timing. • Clears the LIN/UART module from LIN reset mode • Sets the transmit enable bit (UTOE bit) to 1 	<ul style="list-style-type: none"> • Waits for a transmission trigger (LUTDRn register) by software.
(2)	<ul style="list-style-type: none"> • Sets the transmission data in the UART transmission data register (LUTDRn register) or UART wait transmission data (LUWTDn). 	<ul style="list-style-type: none"> • Sets the transmission status flag.
(3)	<ul style="list-style-type: none"> • Waits for an interrupt request. <p>[When the UTIGTS bit is 0 (a transmission interrupt request is output upon start of transmission)]</p> <ul style="list-style-type: none"> • When transmitting data continuously, sets another piece of transmission data in the UART transmission data register (LUTDRn register), waits for the generation of an interrupt request. 	<ul style="list-style-type: none"> • Transmits a start bit (for switching between transmission and reception in half duplex communication, transmits a start bit after receiving 1 stop bit. This function is referred to in 17.5.1 (4) Transmission Start Wait Function). <p>[When the UTIGTS bit is 0 (a transmission interrupt request is output upon start of transmission)]</p> <ul style="list-style-type: none"> • Outputs a transmission interrupt.
(4)		Transmits the data set in the UART (wait) transmission data register.
(5)		Transmits a parity bit when parity is used.
(6)		Transmits 1 or 2 stop bits.
(7)	<p>[When the UTIGTS bit is 0 (a transmission interrupt request is output upon start of transmission)]</p> <ul style="list-style-type: none"> • If another piece of transmission data is set, goes to step (3). <p>[When the UTIGTS bit is 1 (a transmission interrupt request is output upon end of transmission)]</p> <ul style="list-style-type: none"> • When transmitting data continuously, goes to step (2). 	<p>[When the UTIGTS bit is 0 (a transmission interrupt request is output upon start of transmission)]</p> <ul style="list-style-type: none"> • If another piece of transmission data is set, goes to step (3). • If another piece of transmission data is not set, clears the transmission status flag. <p>[When the UTIGTS bit is 1 (a transmission interrupt request is output upon end of transmission)]</p> <ul style="list-style-type: none"> • Outputs a transmission interrupt. • Clears the transmission status flag

(a) Continuous Transmission

The LIN/UART module (in UART mode) can transmit multiple sets of data continuously by using the LUTDRn register. Figure 17-23 shows an operating example where the transmission interrupt generation timing is the start of transmission. Figure 17-24 shows an operating example where the transmission interrupt generation timing is the end of transmission.

Figure 17-23. LIN/UART Module (in UART mode) Continuous Transmission Operation (when UTIGTS Bit in LUORn1 Register is 0)

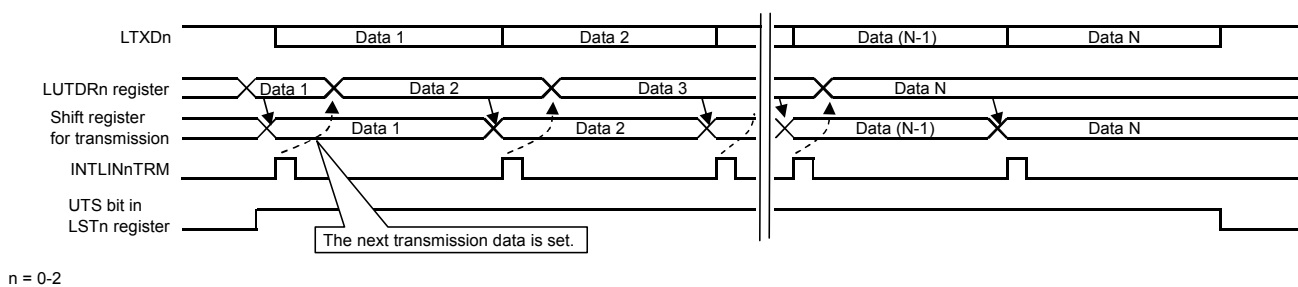
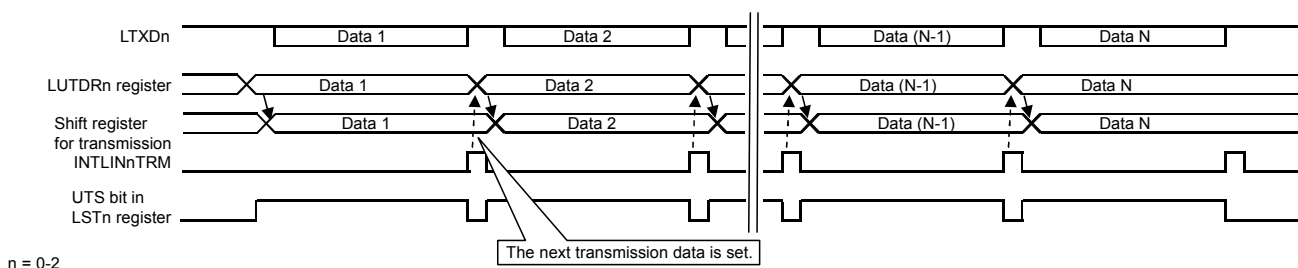


Figure 17-24. LIN/UART Module (in UART mode) Continuous Transmission Operation (when UTIGTS Bit in LUORn1 Register is 1)



An interrupt can be generated at the end of a transmission by changing the UTIGTS bit in the LUORn1 register from 0 to 1 after the start of transmission of final data, provided only that the transmission interrupt generation timing is the start of transmission and the end of transmission of final data needs to be known.

(b) UART Buffer Transmission

The LIN/UART module (in UART mode) has a maximum of nine bytes of UART buffers, and thus it is capable of performing continuous transmissions through the use of UART buffers.

Figure 17-25 shows the UART buffer transmission operation in the LIN/UART module (in UART mode). Table 17-19 shows the UART buffer transmission processing.

Figure 17-25. UART Buffer Transmission in LIN/UART Module (in UART mode)

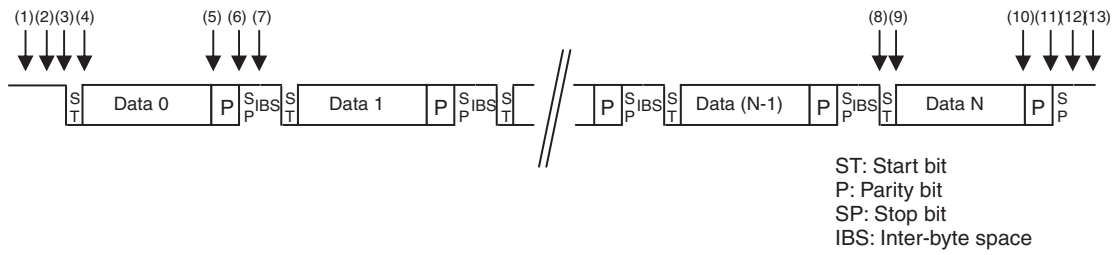


Table 17-19. UART Buffer Transmission Processing in LIN/UART Module (in UART mode)

Step	Software processing	LIN/UART module processing
(1)	<ul style="list-style-type: none"> • Sets a baud rate. • Sets noise filter ON/OFF. • Sets error detection enable. • Sets data format. • Sets an interrupt generation timing to the end of transmission. • Clears the LIN/UART module from LIN reset mode. • Sets the transmit enable bit (UTOE bit) to 1 	<ul style="list-style-type: none"> • Waits for a transmission trigger (RTS bit) by software.
(2)	<ul style="list-style-type: none"> • Sets a UART buffer data length and whether the system must wait for the start of transmission. • Sets the transmission data in the UART data buffer 0 register (LUDBn0) and the LIN/UART data buffer m register (LDBnm). • Sets the UART buffer transmission start bit (RTS). 	<ul style="list-style-type: none"> • Sets the transmission status flag.
(3)	<ul style="list-style-type: none"> • Waits for an interrupt request. 	<ul style="list-style-type: none"> • Transmits a start bit (for switching between transmission and reception in half duplex communication, transmits a start bit after receiving 1 stop bit. This function is referred to in 17.5.1 (4) Transmission Start Wait Function).
(4)		Transmits the data set in the UART data buffer 0 register (LUDBn0) and the LIN/UART data buffer m register (LDBnm).
(5)		Transmits a parity bit when parity is used.
(6)		Transmits 1 or 2 stop bits
(7)		Transmits an inter-byte space (idle).
		Repeats steps (3) to (7) until frame count -1 that was set in the UART buffer data length select bits is reached.
(8)		Transmits a start bit.
(9)		Transmits the data set in the LIN/UART data buffer m register (LDBnm).
(10)		Transmits a parity bit when parity is used.
(11)		Transmits 1 or 2 stop bits.
(12)		<ul style="list-style-type: none"> • Sets the buffer transmission end flag. • Clears the UART buffer transmit start (RTS) bit. • Outputs a transmission interrupt. • Clears the transmission status flag.
(13)	<ul style="list-style-type: none"> • Checks the LSTn register and clears flags • When transmitting data continuously, goes to step (2). 	

n = 0-2

(2) Reception

Figure 17-26 shows the LIN/UART module (in UART mode) reception operation. Table 17-20 shows the LIN/UART module (in UART mode) reception processing.

Figure 17-26. LIN/UART Module (in UART Mode) Reception Operation

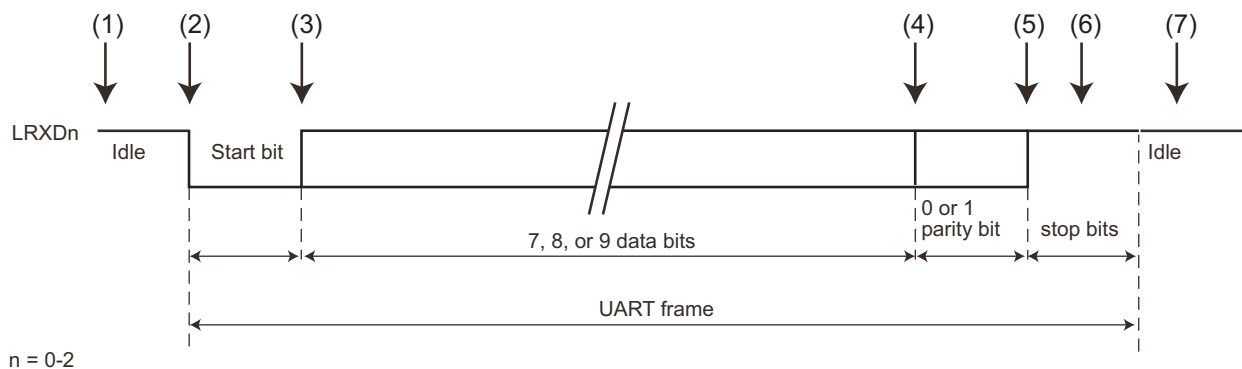


Table 17-20. LIN/UART Module (in UART Mode) Reception Processing

Step	Software processing	LIN/UART module processing
(1)	<ul style="list-style-type: none"> • Sets a baud rate. • Sets noise filter ON/OFF. • Sets error detection enable. • Sets data format. • Clears the LIN/UART module from LIN reset mode. • Sets the receive enable bit (UROE bit) to 1. 	<ul style="list-style-type: none"> • Waits for reception enable state switching by software. • Waits for detection of a start bit.
(2)	Waits for an interrupt request.	<ul style="list-style-type: none"> • Waits for a falling edge from the reception pin, and detects a start bit. • Sets the reception status flag.
(3)		Receives data.
(4)		Receives a parity bit when parity is used.
(5)		Receives only 1 stop bit.
(6)		<ul style="list-style-type: none"> • Outputs a successful reception interrupt. • Clears the reception status flag.
(7)	Checks the LSTn register and clears flags.	Waits for a falling edge from the reception pin.

n = 0-2

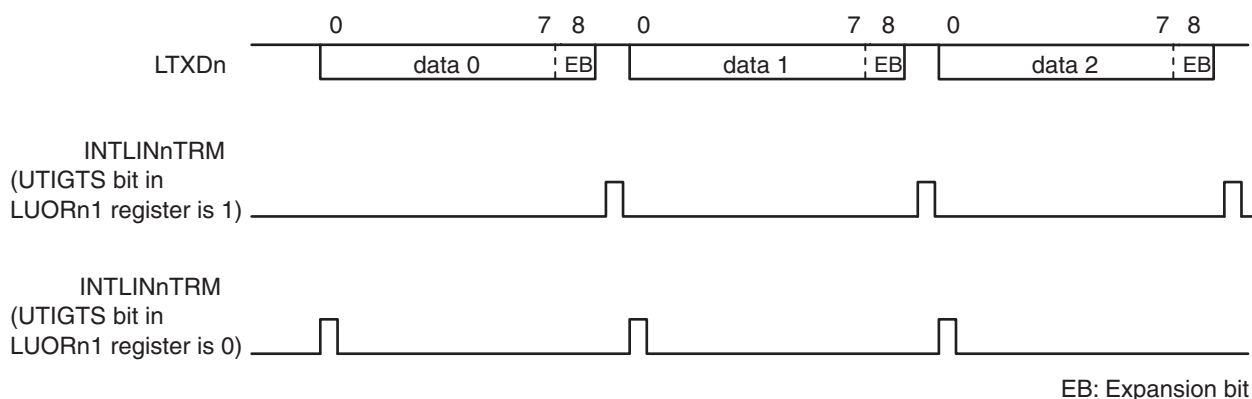
(3) Expansion Bits

The LIN/UART module (in UART mode) can transmit and receive 9-bit long data by setting the UEBE bit in the LUORn1 register to 1.

(a) Expansion Bit Transmission

The LIN/UART module (in UART mode) can transmit 9-bit long data when the expansion bit enable bit (UEBE) in UART option register 1 (LUORn1) is 1 and by writing the 9-bit data to either the UART transmission data register (LUTDRn) or the UART wait transmission data register (LUWTDRn).

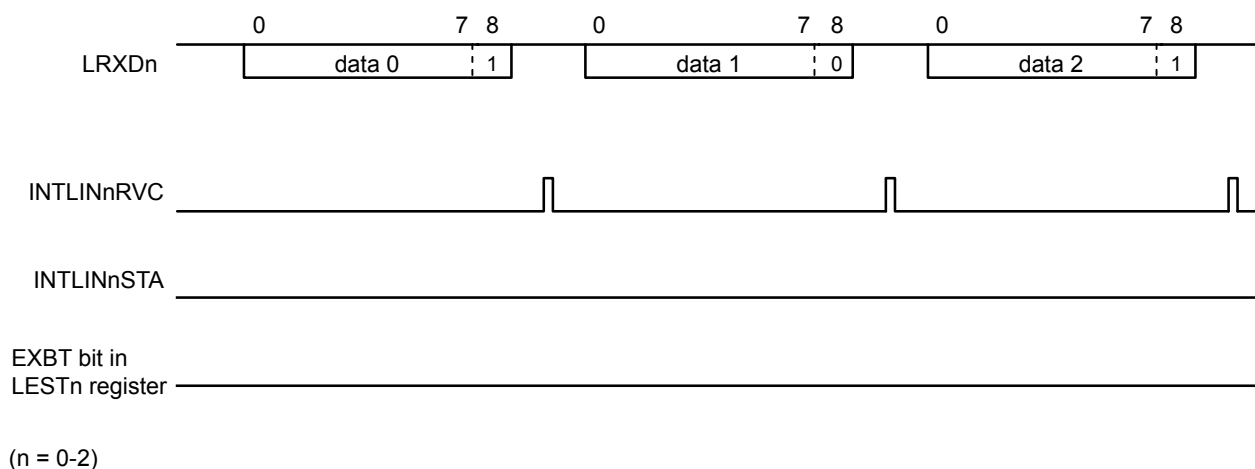
Figure 17-27. Transmission Example When Expansion Bit is Enabled (LSB First)



(b) Expansion Bit Reception

With the LIN/UART module (in UART mode), 9-bit data can always be received without requiring a comparison of expansion bits, provided that the expansion bit enable bit (UEBE) in UART option register 1 (LUORn1) is 1, the expansion bit comparison disable bit (UECD) is 1, and the expansion bit/data comparison enable bit (UEBDCE) is 0. Irrespective of the particular setting of the expansion bit detection level select bit (UEBDL) in UART option register 1 (LUORn1), a successful LINn reception interrupt is generated (n = 0, 1) when 9-bit data is received.

Figure 17-28. Expansion Bit Reception Example (LSB First)



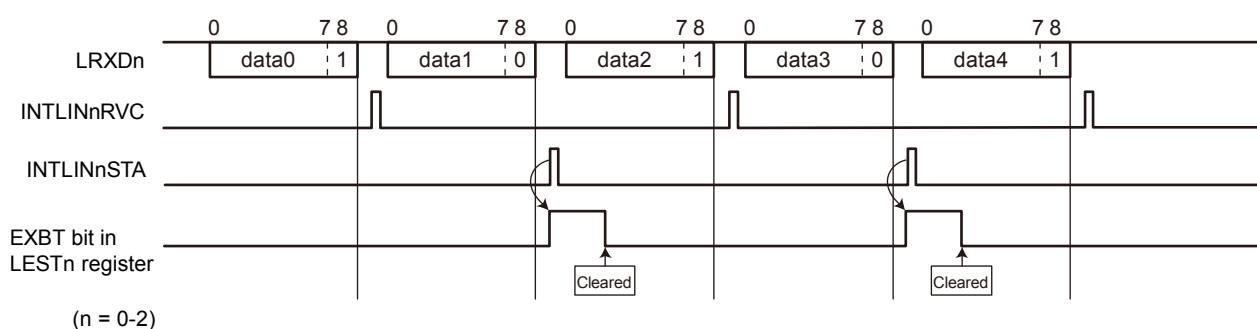
(c) Expansion Bit Reception (with Expansion Bit Comparison)

The LIN/UART module (in UART mode) can compare received expansion bits and the UEBDL bits when the expansion bit enable bit (UEBE) in UART option register 1 (LUORn1) is 1, the expansion bit comparison disable bit (UECD) is 0, and the expansion bit/data comparison enable bit (UEBDCE) is 0.

If the level that was set in the expansion bit detection level select bit (UEBDL) is detected, a LINn reception status interrupt is generated upon completion of data reception, and the expansion bit detection flag (EXBT) in the LIN/UART error status register (LESTn) is set. If the reversed value of an expansion bit detection level is detected, a successful LINn reception interrupt is generated. In either case, the received data is stored in the UART reception data register (LURDRn), unless there was an overrun error.

Figure 17-29 shows an example when the expansion bit detection level select bit (UEBDL) is set to 0.

Figure 17-29. Expansion Bit Reception Example (with Expansion Bit Comparison) (LSB First, UEBDL = 0)



- Notes**
1. If a reception error (parity error, framing error, or overrun error) occurs in received data 0, 2, or 4 (if a reversed value of an expansion bit detection level is detected), a LINn reception status interrupt is generated, and the error flag is updated. In this case, a successful LINn reception interrupt is not generated.
 2. If a reception error (parity error, framing error, or overrun error) occurs in received data 1 or 3 (if an expansion bit detection level is detected), a LINn reception status interrupt is generated, and the error flag is updated. In the case of an overrun error, the expansion bit detection flag (EXBT) is also set.

(d) Expansion Bit Reception (with Data Comparison)

The LIN/UART module (in UART mode) compares the 8-bit received data excluding the expansion bits with the preset LIDBn register value if the level that was set in the expansion bit detection level select bit (UEBDL) is detected when the expansion bit enable bit (UEBE) in UART option register 1 (LUORn1) is 1, the expansion bit comparison disable bit (UECD) is 0, and the expansion bit/data comparison enable bit (UEBDCE) is 1. If the compared two values agree, the following operations are executed.

- A LINn reception status interrupt is generated (n = 0-2).
- The expansion bit detection flag (EXBT) is set.
- The ID match flag (IDMT) is set.
- The received data is stored in the UART reception data register (LURDRn).

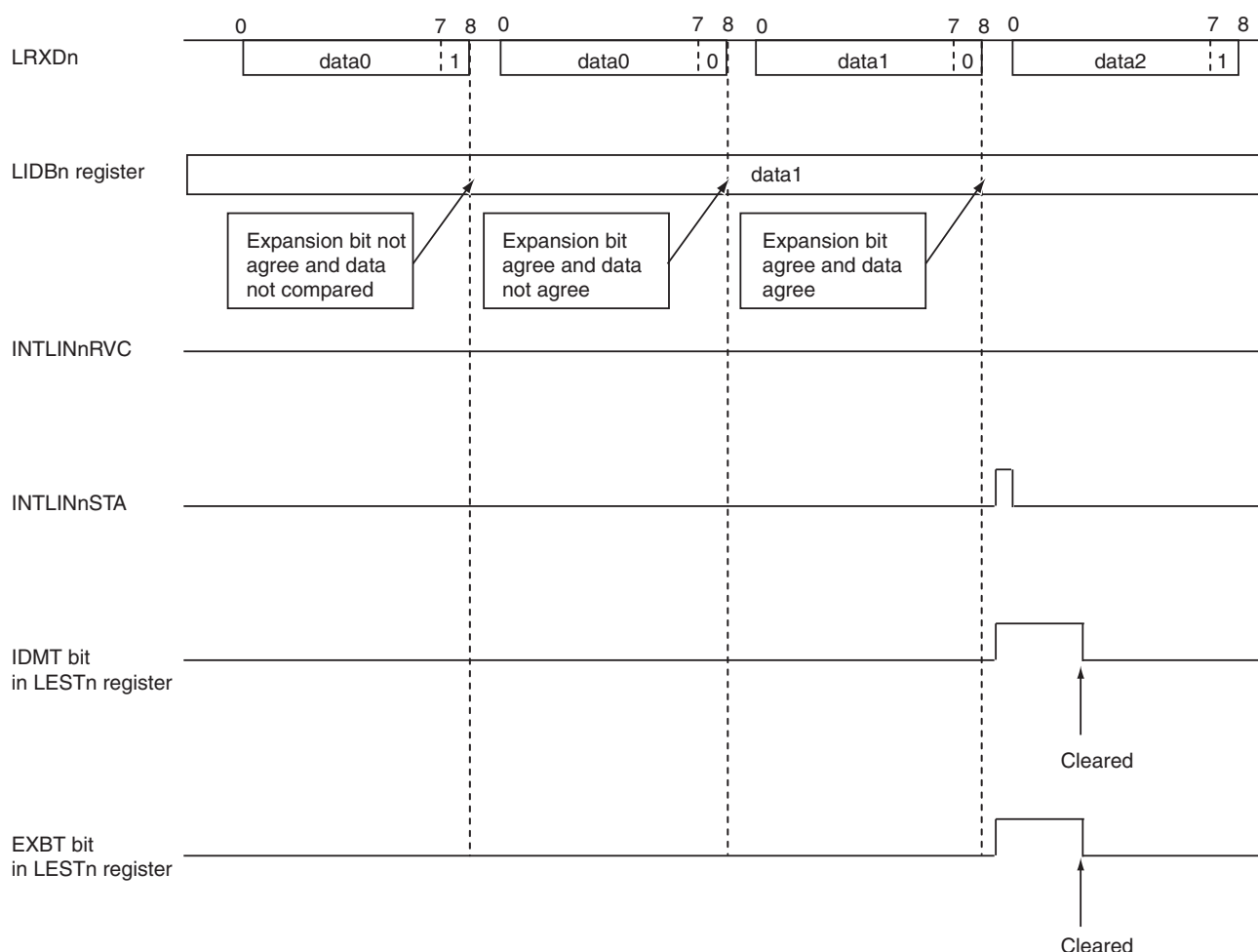
Even if the compared two values agree, a successful LINn reception interrupt is not generated.

If the compared two values do not agree, neither successful LINn reception interrupt nor LINn reception status interrupt is generated, thus not setting the EXBT or IDMT flag to 1. Here, the received data is not stored in the UART reception data register (LURDRn).

When changing the UEBDCE bit to 0, complete it before the next data is completely received.

Figure 17-30 shows an example when the expansion bit detection level select bit (UEBDL) is set to 0.

Figure 17-30. Expansion Bit Reception Example (with Data Comparison) (LSB First, UEBDL = 0)



Caution If a reception error (parity error, framing error, or overrun error) occurs, a LINn reception status interrupt is generated, and the error flag is updated. In the case of an overrun error with matching of the compare result, EXBT and IDMT flags are also set to 1.

(4) Transmission Start Wait Function

For performing half-duplex communication, the LIN/UART module (in UART mode) has the function of securing the reception stop bit when switching from reception to transmission.

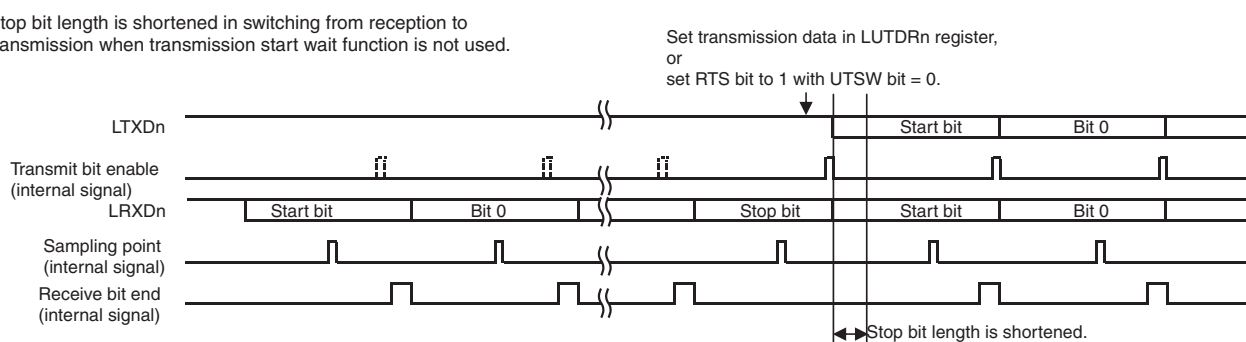
If it is desired to delay the start of transmission until the stop bits for the reception are completed, set data in the LUWTDRn register, which is used only for the wait function, instead of setting transmission data in the LUTDRn register as a start-of-transmission request. When transmitting from the UART buffer, set 1 (UART buffer transmission enabled) in the RST bit in the LTRCn register with 1 set in the UTSW bit in the LDFCn register.

In such a case, the LIN/UART module delays the start of transmission until the stop bits of reception data are completed. It should be noted that even if the UART stop bit length select bit (USBLS) is 1 (stop bits = 2 bits), delay is made only for 1 bits.

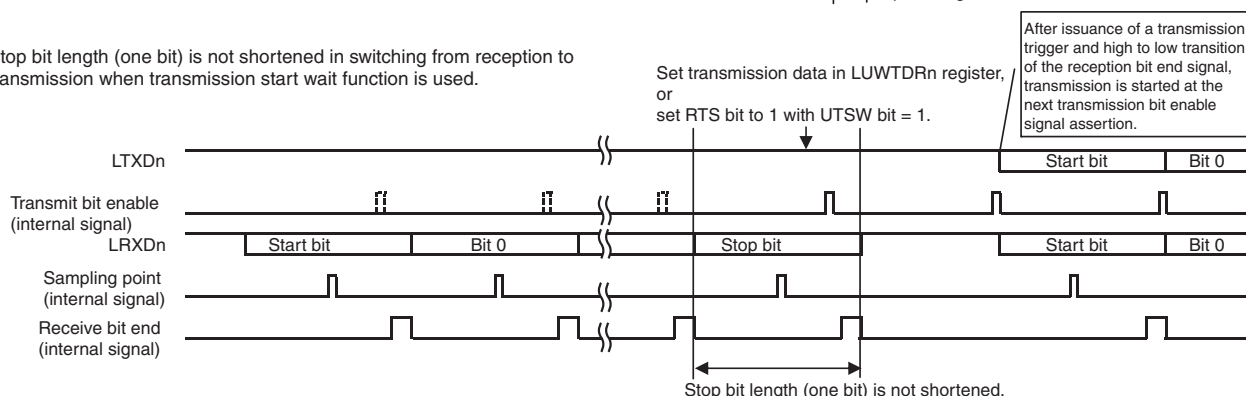
Figure 17-31 shows the operation of transmission wait function.

Figure 17-31. Transmission Wait Function (if transmission data is set during the stop bits in the received data)

Stop bit length is shortened in switching from reception to transmission when transmission start wait function is not used.



Stop bit length (one bit) is not shortened in switching from reception to transmission when transmission start wait function is used.



(5) SNOOZE Mode Function

The LIN/UART module (UART mode) is provided with SNOOZE mode during reception. The SNOOZE mode allows data reception without CPU operation when the LRXDn pin input is detected in STOP mode.

To use the LIN/UART module (UART mode) in SNOOZE mode, make the following settings before entering STOP mode.

- In SNOOZE mode, it is necessary to set the different baud rate for UART reception from that in normal operation. Refer to Tables 17-21 to 17-24 and set the LBRPn register and LPRS[2:0] bits and NSPB[3:0] bits in the LWBRn register appropriately.
- Set the UWC bit in the UART standby control register (LUSCn). Also set the USEC and URDCC bits in the LUSCn register to enable or disable error interrupt generation upon occurrence of a communication error and comparison of the received data and the LIDBn register value, respectively.
- Set the UROE bit to 1 in the UART operation enable register (LUOERn) immediately before entering STOP mode.

After entering STOP mode, UART reception starts upon detection of the LRXDn edge (start bit input).

- Cautions**
1. SNOOZE mode can be set only when the LINnMCK bit in the LINCKSEL register is 0 (f_{CLK} selected) and the high-speed on-chip oscillator clock (f_{IH}) is selected for f_{CLK} .
 2. The maximum transfer rate in SNOOZE mode is 4800 bps when the FRQSEL4 in the user option byte (000C2H/020C2H) is set to 0, and 2400 bps when FRQSEL4 is set to 1.
 3. With UWC = 1, the UART can be used only if reception is started during STOP mode. If another SNOOZE function or interrupt is also used and reception is started during any state other than STOP mode as described below, data is not received correctly and a framing error or parity error may occur.
 - After setting UWC to 1, reception is started before entering STOP mode.
 - Reception is started during another SNOOZE mode.
 - After returning to normal operation from STOP mode upon an interrupt or other cause, reception is started before setting UWC to 0.
 4. With USEC = 1, if an error (parity error or framing error) or change in status (detection of the expansion bit) is detected in SNOOZE mode, the flag is not set to 1 thus generating no error interrupt.

**Table 17-21. Baud Rate Setting for UART Reception in SNOOZE Mode
(LIN communication clock source = 32 MHz ± 2%, FRQSEL4 = 0)**

UART Baud Rate (target)	Prescaler LPRS[2:0]	Baud Rate Generators 0 and 1 LBRP0 and LBRP1	Maximum Allowable Value	Minimum Allowable Value
1200 bps	1/2	828	2.45%	-2.50%
2400 bps	1/2	412	2.07%	-2.30%
4800 bps	1/2	203	1.81%	-1.42%

**Table 17-22. Baud Rate Setting for UART Reception in SNOOZE Mode
(LIN communication clock source = 24 MHz ± 2%, FRQSEL4 = 0)**

UART Baud Rate (target)	Prescaler LPRS[2:0]	Baud Rate Generators 0 and 1 LBRP0 and LBRP1	Maximum Allowable Value	Minimum Allowable Value
1200 bps	1/2	621	2.41%	-2.55%
2400 bps	1/2	308	2.31%	-2.08%
4800 bps	1/2	152	1.81%	-1.45%

**Table 17-23. Baud Rate Setting for UART Reception in SNOOZE Mode
(LIN communication clock source = 32 MHz ± 2%, FRQSEL4 = 1)**

UART Baud Rate (target)	Prescaler LPRS[2:0]	Baud Rate Generators 0 and 1 LBRP0 and LBRP1	Maximum Allowable Value	Minimum Allowable Value
1200 bps	1/2	826	2.23%	-2.26%
2400 bps	1/2	410	1.65%	-1.83%

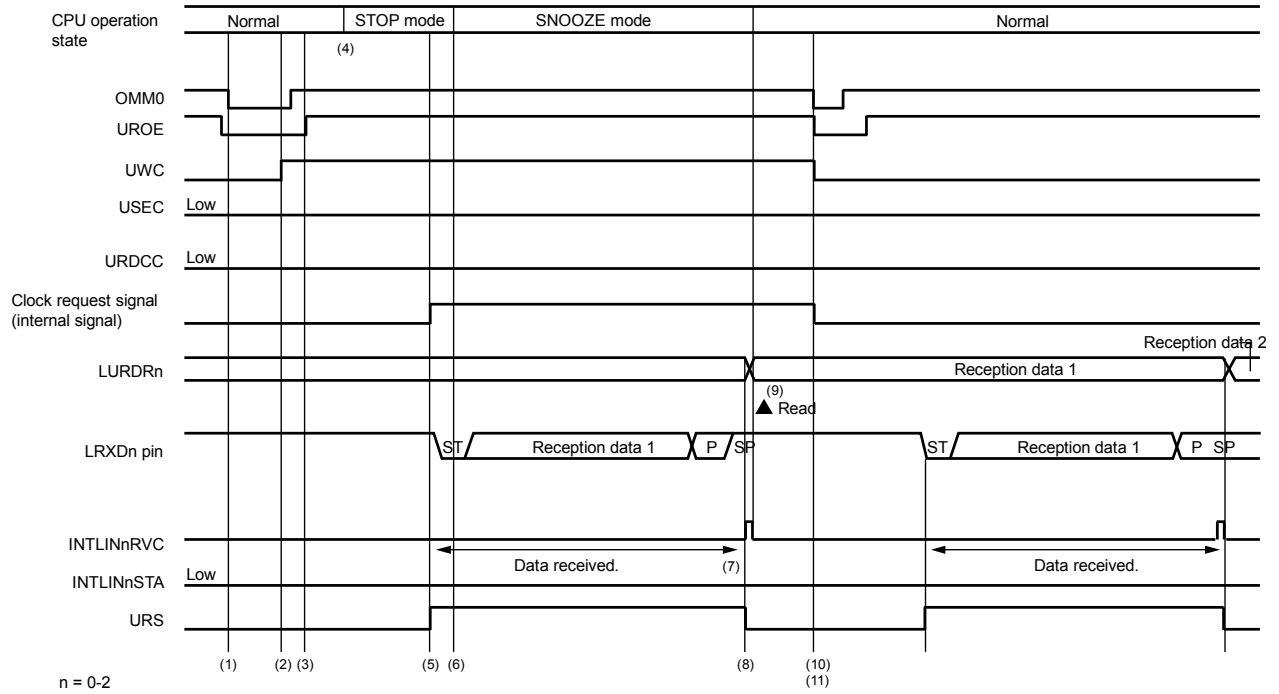
**Table 17-24. Baud Rate Setting for UART Reception in SNOOZE Mode
(LIN communication clock source = 24 MHz ± 2%, FRQSEL4 = 1)**

UART Baud Rate (target)	Prescaler LPRS[2:0]	Baud Rate Generators 0 and 1 LBRP0 and LBRP1	Maximum Allowable Value	Minimum Allowable Value
1200 bps	1/2	619	2.28%	-2.23%
2400 bps	1/2	307	1.73%	-1.76%

- Remarks**
1. The maximum and minimum allowable values are applied to the baud rates for UART reception. Set the parameters so that the baud rates for UART transmission should also fall within the allowable range.
 2. The receive data length is 8 bits + a parity bit.
 3. The numbers in the table are for sixteen samples per bit (i.e. when NSPB[3:0] = 0000b or 1111b).

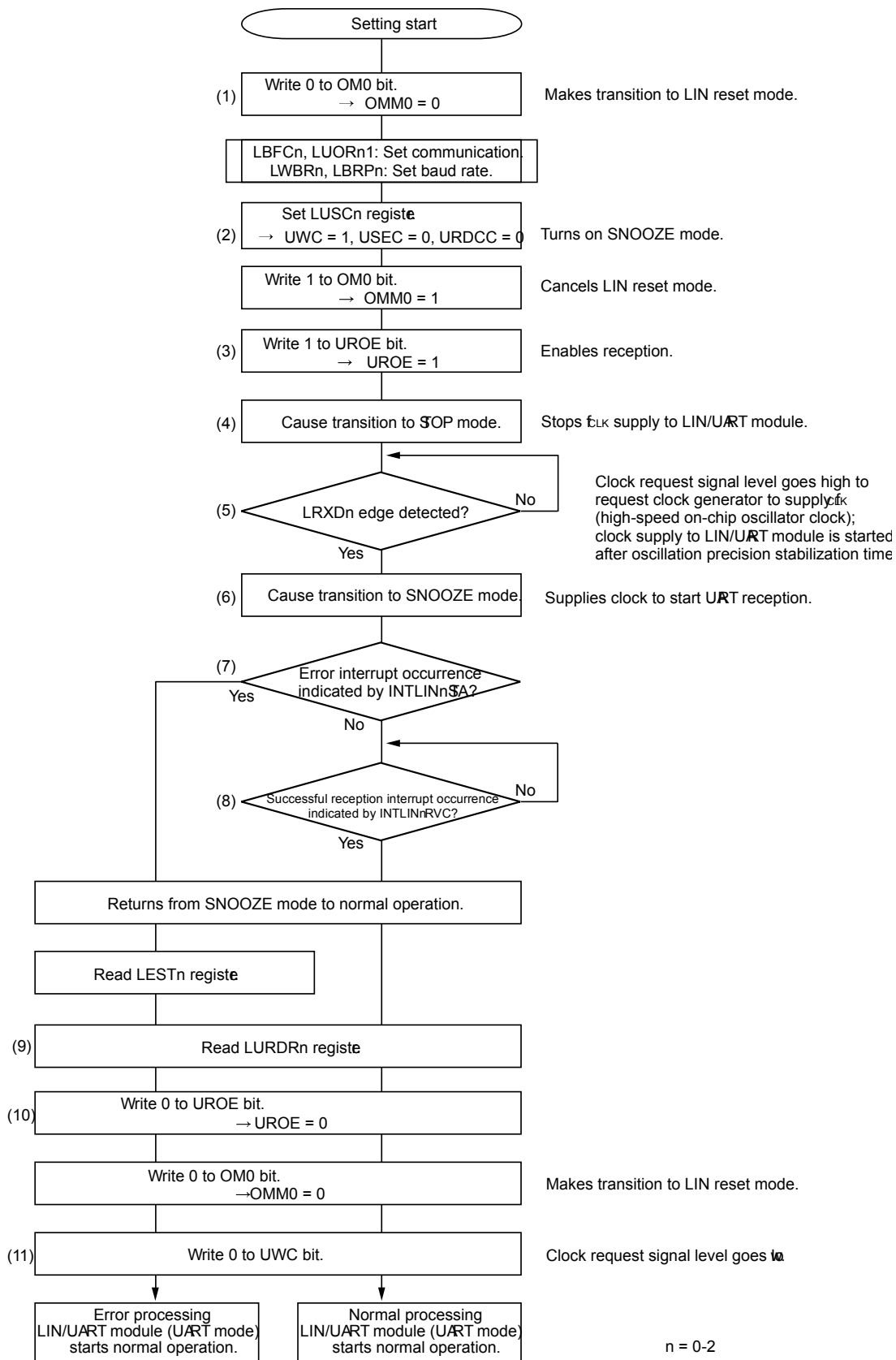
(a) SNOOZE Mode Operation (returning to normal operation upon successful reception; UWC = 1, URDCC = 0)

Figure 17-32. Timing Chart of SNOOZE Mode Operation
(returning to normal operation upon successful reception; UWC = 1, URDCC = 0)



Remark (1) to (11) in Figure 17-32 correspond to (1) to (11) in Figure 17-33.

Figure 17-33. Flowchart of SNOOZE Mode Operation
 (returning to normal operation upon successful reception; UWC = 1, URDCC = 0)



Remark (1) to (11) in Figure 17-33 correspond to (1) to (11) in Figure 17-32.

(b) SNOOZE Mode Operation (returning to normal operation upon comparison result agreement of data received; UWC = 1, URDCC = 1)

Figure 17-34. Timing Chart of SNOOZE Mode Operation

(returning to normal operation upon comparison result agreement of data received; UWC = 1, URDCC = 1)

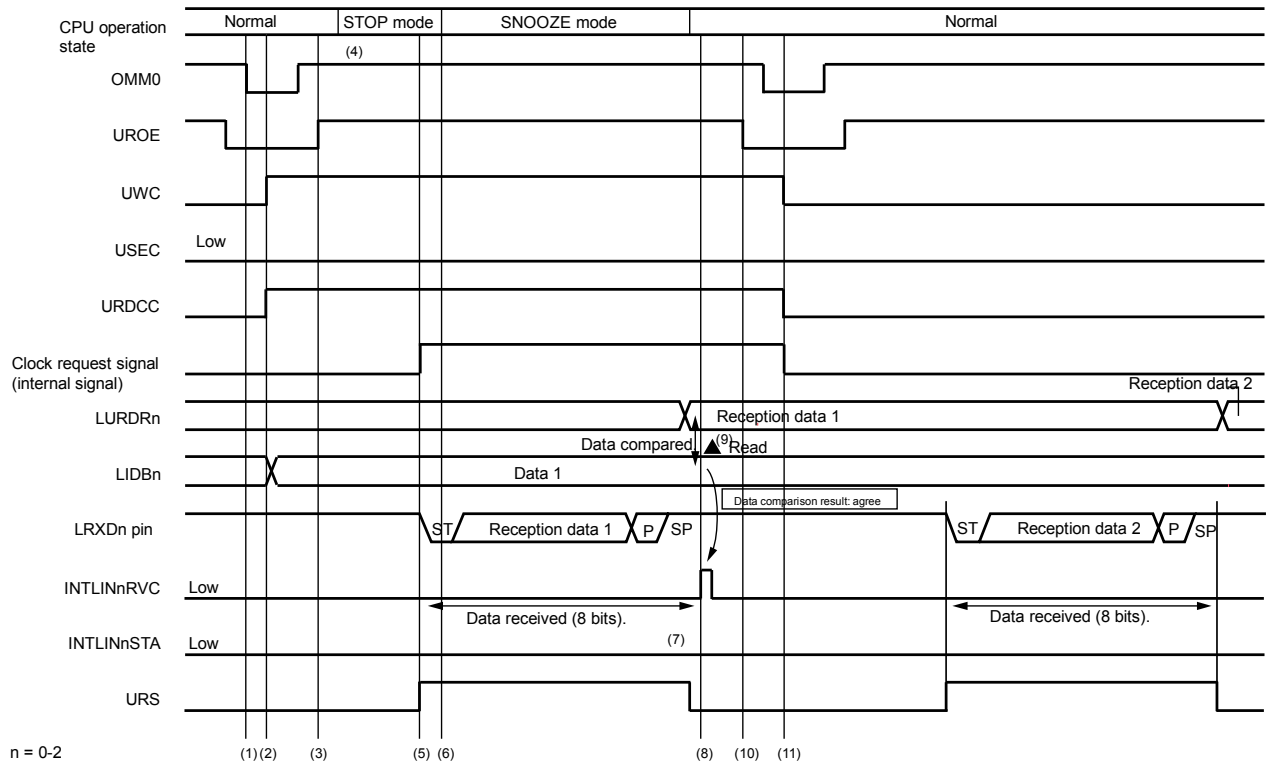
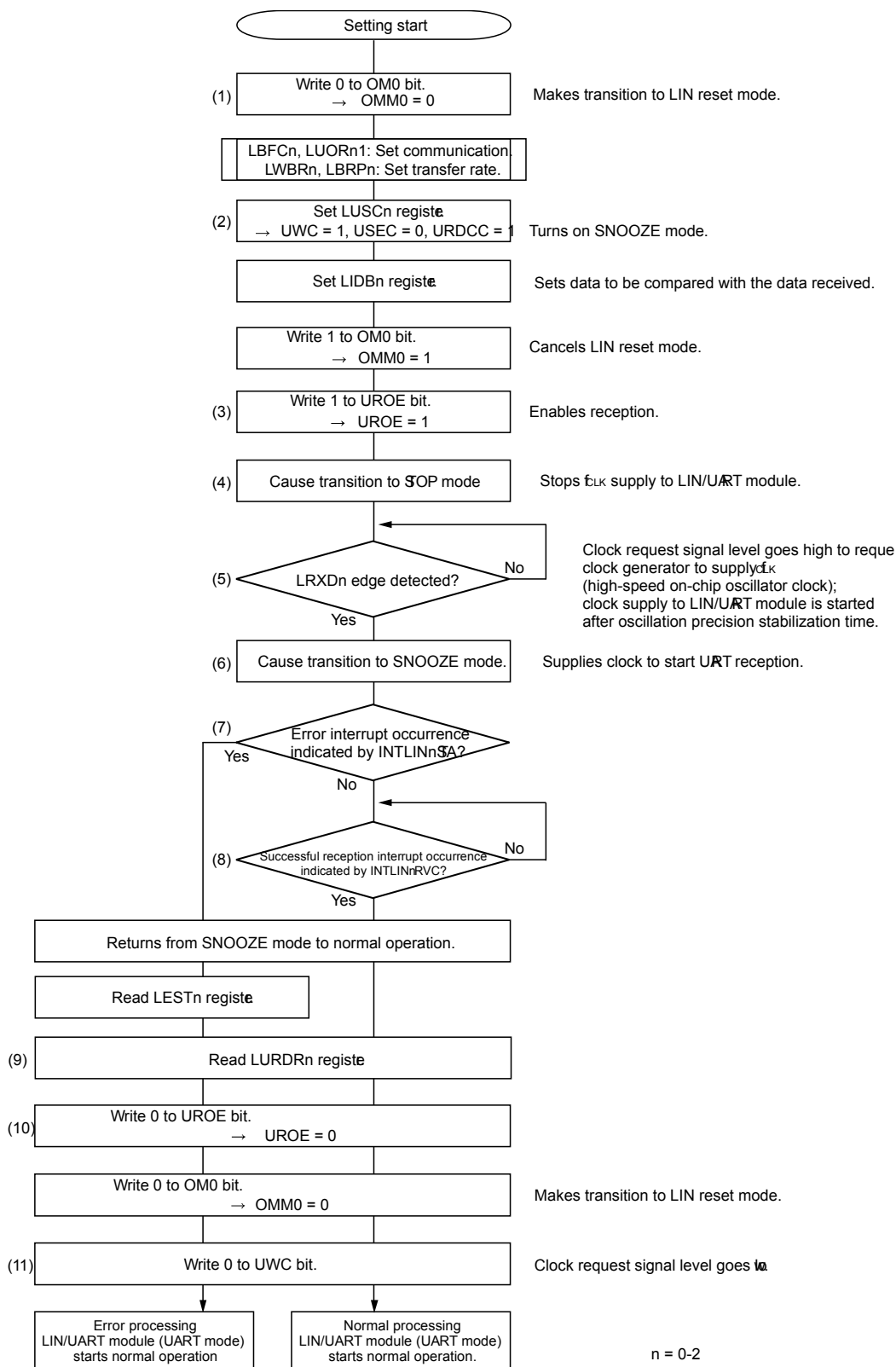


Figure 17-35. Flowchart of SNOOZE Mode Operation
 (returning to normal operation upon comparison result agreement of data received; UWC = 1, URDCC = 1)



If it is necessary to set the URDCC bit in the LUSCn register to 1 (comparison of received data and LIDBn register data enabled in SNOOZE mode), only use SNOOZE mode with the UBLS bit in the LBFCn register set to 0 (UART 8-bit character communication) and UEBE bit in the LUORn1 register set to 0 (expansion bit operation disabled).

17.5.2 Data Transmission/Reception

(1) Data Transmission

One bit of data is transmitted per Tbit.

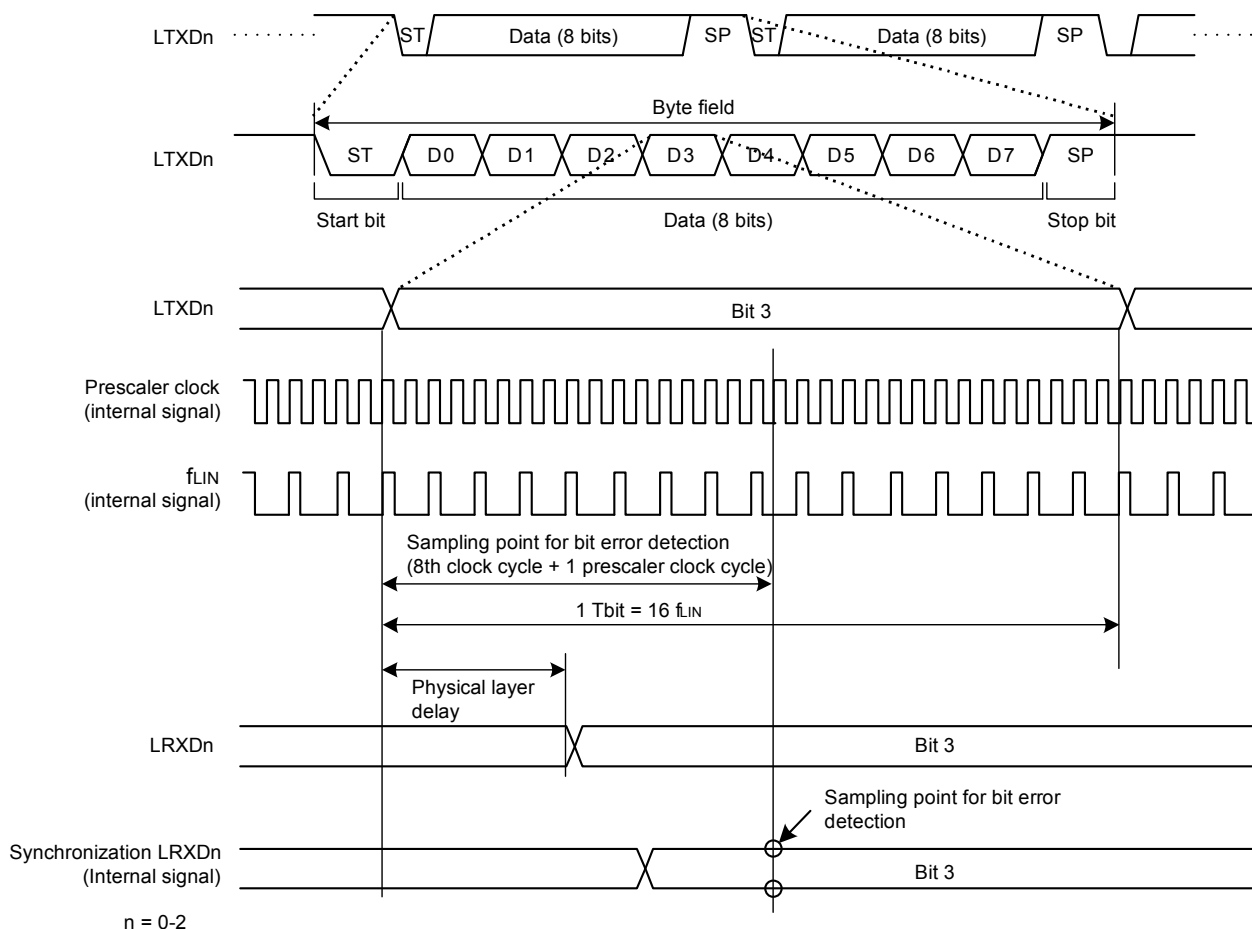
In half-duplex communication, if the BERE bit in the LEDEn register is 1 (bit error detection enabled), the transmission data and the input pin level are compared bit by bit during data transmission, and the results are stored in the BER flag in the LESTn register (see 17.5.5 Error Status). The timing at which the input pin is sampled during data transmission can vary depending upon the settings of the LPRS[2:0] and NSPB[3:0] bits in the LWBRn register.

The bit error detection timing in UART mode is shown in Table 17-25.

Table 17-25. Error Detection Timing in UART Mode

Sampling count per bit	Bit error detection timing
6 samples	3rd clock cycle + one cycle of the prescaler clock
7 samples	4th clock cycle + one cycle of the prescaler clock
8 samples	4th clock cycle + one cycle of the prescaler clock
9 samples	5th clock cycle + one cycle of the prescaler clock
10 samples	5th clock cycle + one cycle of the prescaler clock
11 samples	6th clock cycle + one cycle of the prescaler clock
12 samples	6th clock cycle + one cycle of the prescaler clock
13 samples	7th clock cycle + one cycle of the prescaler clock
14 samples	7th clock cycle + one cycle of the prescaler clock
15 samples	8th clock cycle + one cycle of the prescaler clock
16 samples	8th clock cycle + one cycle of the prescaler clock

Figure 17-36. Example of Data Transmission Timing (when Sampling Count is 16 in 1 Tbit)



(2) Data Reception

Data reception is performed by using the synchronized LRxDn (an internal signal) that is the input from the LRxDn pin synchronized with the prescaler clock.

The byte field is synchronized at the falling edge of the start bit for the synchronized LRxDn signal. After the falling edge is detected, resampling is performed 0.5 Tbits later if the sampling count per 1 Tbit is even and $\{(sampling\ count + 1)/2\}/(sampling\ count)$ Tbits later if odd. If the synchronized LRxDn signal is low, the bit is recognized as a start bit. The bit is not recognized as a start bit if the LRxDn signal is fixed at low after the reset is cleared or if a high level is detected during the resampling.

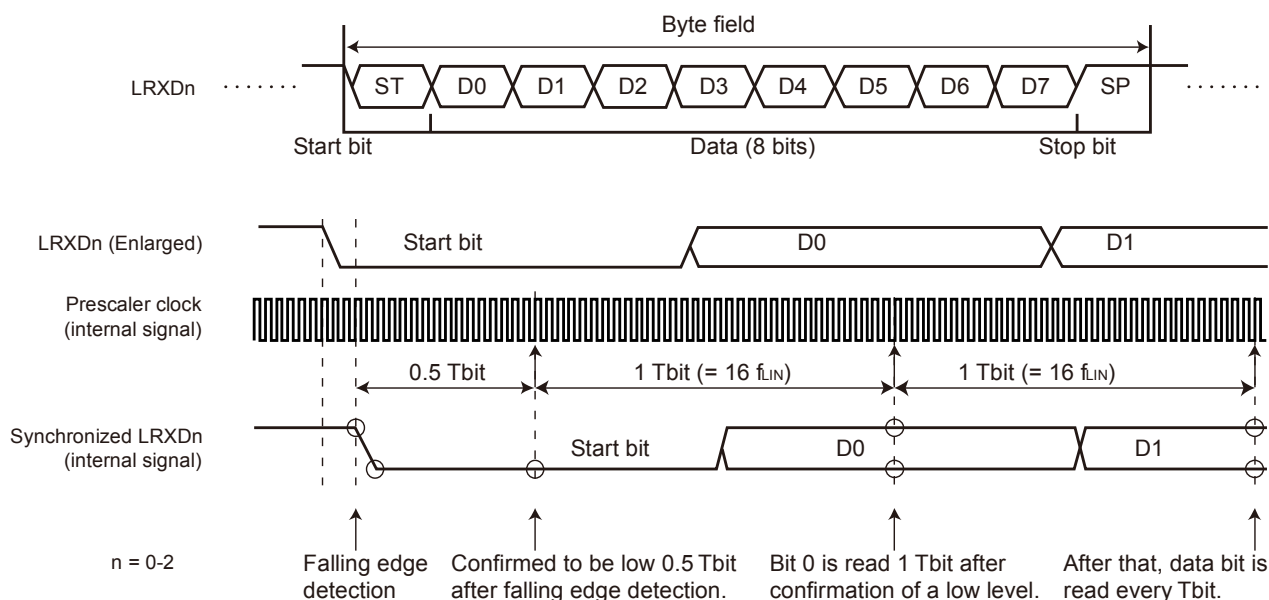
After the start bit is detected, 1 bit is sampled per Tbit.

Note that when the BERE bit in the LEDEn register is set to 1, sampling proceeds at the same time as the detection of a bit error.

The LIN/UART module has a noise filter function with respect to received data. If the LRDNFS bit in the LMDn register is 0, the noise filter is used. For a sampling value, the value determined by a 3-sampling majority rule by the prescaler clock is used. If the LRDNFS bit in the LMDn register is 1, the noise filter is not used. In this case, for a sampling value, the synchronized LRxDn value at the sampling position is used as is.

Figure 17-37 shows an example of data reception timing.

Figure 17-37. Example of Data Reception Timing (when Sampling Count is 16 in 1 Tbit)

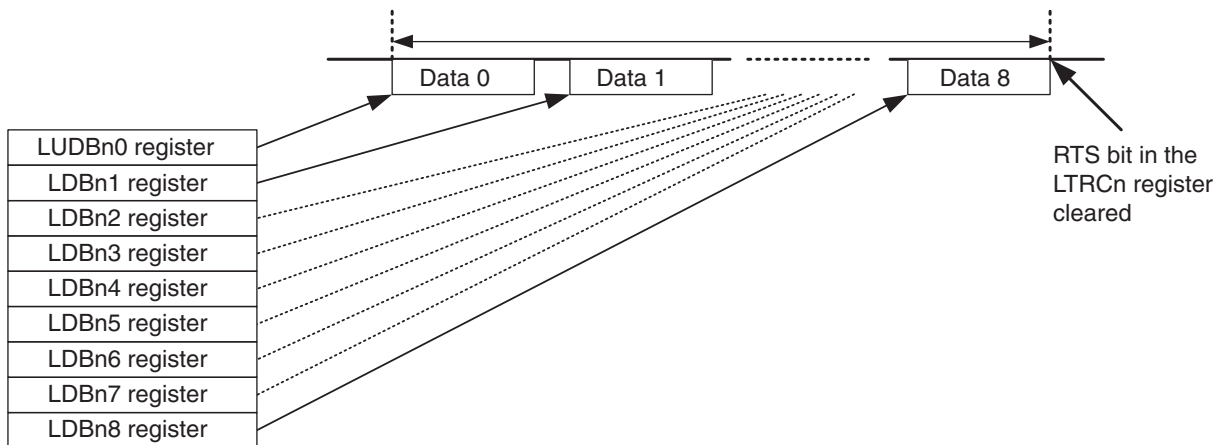


17.5.3 Buffer Processing of Transmission Data

(1) Transmission of UART Buffer

For a 9-byte transmission, the contents stored in the LUDBn0 and LDBn1 to LDBn8 registers are transmitted to data areas 0 to 8. The LUDBn0 register is used only if 9-byte transmission is set. In other cases, the LDBn1 to LDBn8 registers are selected depending upon the length of data involved. For a 4-byte transmission, the contents stored in the LDBn1 to LDBn4 registers are transmitted to data areas 1 to 4, but the contents of the LDBn5 to LDBn8 registers are not transmitted. A LINn transmission interrupt is generated after the transmission of the data that is set in the MDL[3:0] bits in the LDFCn register (n = 0, 1). The spaces between transmission data items can be set in the IBS bit in the LSCn register. Figure 17-38 shows a 9-byte UART buffer and the transmission processing.

Figure 17-38. UART Buffer and Transmission Processing (for 9-Byte Transmission)



17.5.4 Status

In UART mode, the LIN/UART module can detect five types of statuses.

Two statuses, successful UART buffer transmission and error detection, can generate interrupt requests.

Table 17-26 shows the types of statuses available in UART mode.

Table 17-26. Types of Statuses in UART Mode

Status	Status set condition	Status clear condition	Corresponding bit	Interrupt
Reset	After the OM0 bit in the LCUCn register is set to not-LIN-reset-mode, if actually the LIN/UART module is cleared from LIN reset mode.	After the OM0 bit in the LCUCn register is set to LIN reset mode, if actually the LIN/UART module enters LIN reset mode.	OMM0 bit in LMSTn register	Not available
Successful UART buffer transmission	<ul style="list-style-type: none"> The transmission of the last data of data equal to the length set in the MDL bits in the LDFCn register is started while the UTIGTS bit in the LUORn1 register is 0 (transmission interrupt is generated at the start of transmission). The transmission of data equal to the length set in the MDL bits in the LDFCn register is completed while the UTIGTS bit in the LUORn1 register is 1 (transmission interrupt is generated at the completion of transmission). 	<ul style="list-style-type: none"> When cleared by software After transition to LIN reset mode 	FTC flag in LSTn register	Available
Error detection	If any of the UPER flag, IDMT flag, EXBT flag, FER flag, OER flag, and BER flags in the LESTn register turns 1 (error detected).	<ul style="list-style-type: none"> When cleared by software^{Note} After transition to LIN reset mode 	ERR flag in LSTn register	Available
Transmission status	<ul style="list-style-type: none"> When data is written to the LUTDRn or LUWTDn register. When a 1 is written to the RTS bit in the LTRCn register. 	<ul style="list-style-type: none"> The transmission of the data set in the LUTDRn or LUWTDn register is complete, but another transmission data item is not set The transmission of the data in the UART buffer is complete, and the RTS bit in the LTRCn register is cleared After transition to LIN reset mode 	UTS flag in LSTn register	Not available
Reception status	<ul style="list-style-type: none"> When a start bit is detected. 	<ul style="list-style-type: none"> When a sampling point for stop bits is detected After transition to LIN reset mode 	URS flag in LSTn register	Not available

Note Writing a 0 to the UPER, IDMT, EXBT, FER, OER, and BER flags in the LESTn register when the LIN reset mode is being canceled turns the ERR flag in the LSTn register to 0.

17.5.5 Error Status

In UART mode, the LIN/UART module can detect four types of errors and two types of statuses. The condition of these error statuses can be checked by means of the corresponding bits in the LESTn register.

Table 17-27 lists applicable error status types.

Table 17-27. Types of Error Statuses in UART Mode

Status	Error detection condition	Communication	Enable/disable detection	Corresponding bit
Bit error	The transmitted data and the data monitored on the receive pin do not match ^{Note 1}	Continues until the transmission of the set transmission data is finished.	0	BER flag in LESTn register
Overrun error	After received data is stored in the LURDRn register, another data item is received before the data is read. (In this case, no data is stored in the LURDRn register).	— (Reception is finished by the time this error is detected)	0	OER flag in LESTn register
Framing error	When the first stop bit at the first bit is low in the reception processing.	— (Reception is finished by the time this error is detected)	0	FER flag in LESTn register
Parity error	The received parity value fails to match the parity value calculated from the received data	Continues until the data reception is finished.	^x Note 2	UPER flag in LESTn register
Expansion bit detection	The value of the received expansion bit matches the value of the UEBDL bit in the LUORn1 register.	—	0	EXBT flag in LESTn register
ID match	The value of the received expansion bit matches the value of the UEBDL bit in the LUORn1 register and the 8-bit received data excluding the expansion bit matches the value of the LIDBn register.	—	0	IDMT flag in LESTn register

- Notes**
1. If data is transmitted from the UART buffer, a bit error is also detected in the space between UART frames (inter-byte space).
 2. Setting the UPS[1:0] bits in the LBFCn register to 10b (0 parity) disables the checking of parity bit values. In this case, no parity error is generated.

Caution The error status is cleared when cleared by software or after transition to LIN reset mode.

17.6 LIN Self-Test Mode

The LIN/UART module has a LIN self-test mode. When LIN self-testing is turned on, the LTXDn and LRXDn signals are disconnected from the external pins and connected within the LIN/UART module. Frames transferred from the internal LTXDn terminal loop back to the internal LRXDn terminal. The LIN self-test mode is exclusively for testing LIN mode operation.

The following four types of tests are available:

- LIN master self-test mode (transmission): header transmission and response transmission
- LIN master self-test mode (reception): header transmission and response reception
- LIN slave self-test mode (transmission): header reception and response transmission
- LIN slave self-test mode (reception): header reception and response reception

In the LIN self-test mode, the LIN/UART module operates at the highest baud rate regardless of the setting of the baud rate generator. The baud rate is $\frac{\text{frequency of the LIN communications clock source}}{16}$ bps regardless of the settings of the baud rate related registers (the NSPB bit in the LWBRn register must be set to 0000b or 1111b).

In the LIN self-test mode, the following functions are not supported. Do not use these functions.

- LIN wake-up mode
- Frame separate mode
- Multi-byte response reception and transmission
- LIN slave mode [auto baud rate]
- Frame/response timeout error

Figure 17-39. Connection in LIN Reset Mode, LIN Mode and UART Mode

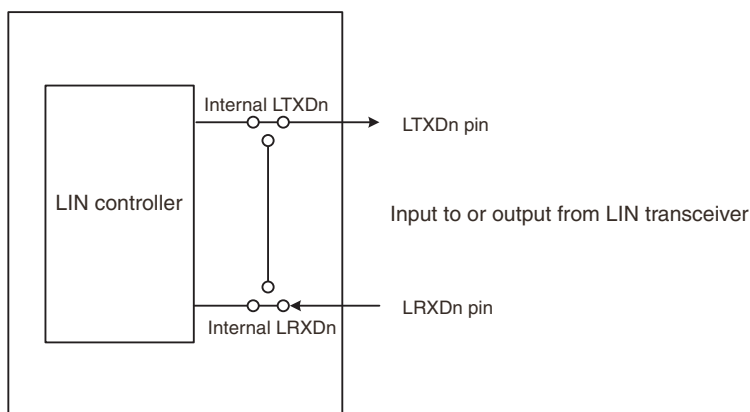
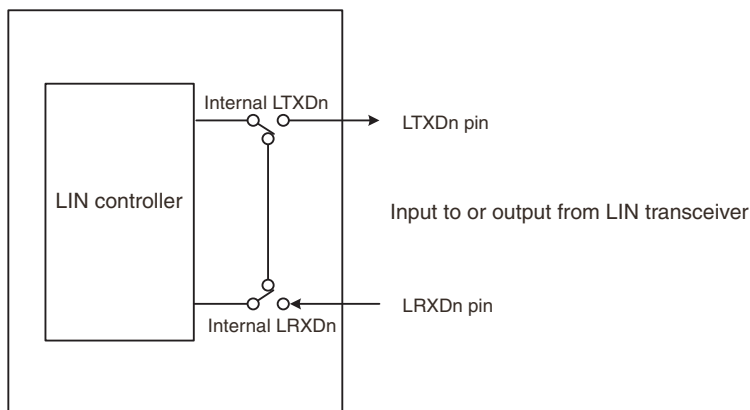


Figure 17-40. Connection in LIN Self-Test Mode



17.6.1 Change to LIN Self-Test Mode

LIN self-test mode is entered by writing to the LSTCn register.

The transition to LIN self-test mode can be confirmed when the LSTM bit in the LSTCn register becomes 1.

When changing to LIN self-test mode, be sure to execute a specific sequence. In that sequence, information must be written three times consecutively to the LIN self-test control register, as follows:

- Change to LIN reset mode
Set the OM0 bit in the LCUCn register to 0 (LIN reset mode).
Read the OMM0 bit in the LMSTn register; verify that it is 0 (LIN reset mode).
- Select a LIN mode
LMD bits in LMDn register = 00b (LIN master mode) or 11b (LIN slave mode [fixed baud rate])
- 1st write: LSTCn register = 1010 0111b (A7H)
- 2nd write: LSTCn register = 0101 1000b (58H)
- 3rd write: LSTCn register = 0000 0001b (01H)
- Verify the transition to LIN self-test mode
Read the LSTM bit in the LSTCn register; verify that it is 1 (LIN self-test mode).

If the key of the first write (A7H) is written twice by mistake, the transition to LIN self-test mode is canceled. The above sequence should be retried from the step of first write. In addition, if a write to another LIN-related register is performed during transition to LIN self-test mode (three consecutive write operations to the LSTCn register), the transition is also canceled.

17.6.2 Transmission in LIN Master Self-Test Mode

To execute a self-test on LIN master transmission, perform the procedure below:

- Set registers related to the baud rate, noise filter, and interrupt output.
LWBRn register = 0000xxxxb^{Note 1}
LBRPn0 register = xxxxxxxxb^{Note 1}
LBRPn1 register = xxxxxxxxb^{Note 1}
LMDn register = 00xxxx00b^{Note 1, 3}
- Set registers related to interrupt enabling and error enabling.
LIEn register = 0000xxxxb^{Note 2, 3}
LEDEn register = x000x0xxb
- Set registers related to the break field and spaces.
LBFCn register = 00xxxxxb
LSCn register = 00xx0xxb
- Cancel the reset.
Write 11b to the OM1 and OM0 bits in the LCUCn register and verify that the OMM1 and OMM0 bits in the LMSTn register become 11b.
- Set registers related to the transmission frame.
LDFCn register = 00x1xxxxb
LIDBn register = xxxxxxxb
LDBn1 to LDBn8 registers = xxxxxxxb
- Start header transmission followed with response transmission
LDFCn register = 00x1xxxxb
Set the FTS bit in the LTRCn register to 1 (frame transmission or wake-up transmission/reception started).

The LIN master self-test mode (transmission) is executed. In this mode, interrupts are generated, and status and error status are also updated appropriately. The checksum is automatically computed by the LIN/UART module.

When the execution of LIN master self-test mode (transmission) is aborted, set OM0 bit of LCUCn register to 0 (LIN reset mode).

- When the transmission is completed, the reversed value of the looped-back frame data is stored in the LIDBn, LDBnm (m = 1 to 8), and LCBRn registers (the data is reversed before being stored because the transmitted value should be compared with the looped-back value). The FTS bit in the LTRCn register is cleared.
- If the transmission fails to complete due to an error, the applicable error flag is set and the FTS bit in the LTRCn register is cleared.

Notes 1. The following register settings do not affect the operations in LIN self-test mode. Therefore, setting them is not mandatory.

LPRS bits in LWBRn register, LBRPn0 register, LBRPn1 register, and LCKS bits in LMDn register

2. As necessary, set the related registers in **CHAPTER 22 INTERRUPT FUNCTIONS**.

3. When the successful header transmission interrupt and successful frame transmission interrupt are used in the same interrupt, the SHIE bit in the LIEn register should not be set to 1 (successful header transmission interrupt enabled) if the software processing of the successful header transmission interrupt does not complete before the successful frame transmission interrupt is generated.

The period starting from when the successful header transmission flag is set until the successful frame/wake-up transmission flag is set can be calculated as follows:

$$10 \times (\text{number of data bytes} + 1) [\text{Tbit}]$$

$$1 \text{ Tbit} = \text{LIN communication clock source} \times 16$$

Remark x: Any desired value

17.6.3 Reception in LIN Master Self-Test Mode

To execute a self-test on LIN master reception, perform the procedure below:

- Set registers related to the baud rate, noise filter, and interrupt output.
LWBRn register = 0000xxxxb^{Note 1}
LBRPn0 register = xxxxxxxxb^{Note 1}
LBRPn1 register = xxxxxxxxb^{Note 1}
LMDn register = 00xxxx00b^{Note 1, 3}
- Set registers related to interrupt enabling and error enabling.
LIEn register = 0000xxxxb^{Note 2, 3}
LEDEn register = x000x0xxb
- Set registers related to the break field and spaces.
LBFCn register = 00xxxxxb
LSCn register = 00xx0xxxb^{Note 1}
- Cancel the reset.
Write 11b to the OM1 and OM0 bits in the LCUCn register and verify that the OMM1 and OMM0 bits in the LMSTn register become 11b.
- Set registers related to the reception frame.
LDFCn register = 00x0xxxxb
LIDBn register = xxxxxxxxb
LDBn1 to LDBn8 registers = xxxxxxxxb
LCBRn register = xxxxxxxxb

Since the checksum is not computed automatically, store a computed value. By intentionally setting an incorrect computation result as the checksum, a test for checksum errors can be performed.

- Start header transmission followed with response reception
Set the FTS bit in the LTRCn register to 1 (frame transmission or wake-up transmission/reception started).

The LIN master self-test mode (reception) is executed. In this mode, interrupts are generated, and status and error status are also updated appropriately. When the execution of LIN master self-test mode (reception) is aborted, set OM0 bit of LCUCn register to 0 (LIN reset mode).

- When the reception is completed, the reversed value of the looped-back frame data is stored in the LIDBn, LDBNm (m = 1 to 8), and LCBRn registers (the data is reversed before being stored because the set value should be compared with the looped-back and received value). The FTS bit in the LTRCn register is cleared.
- If the reception fails to complete due to an error, the applicable error flag is set and the FTS bit in the LTRCn register is cleared.

Notes 1. The following register settings do not affect the operations in LIN self-test mode. Therefore, setting them is not mandatory.

LPRS bits in LWBRn register, LBRPn0 register, LBRPn1 register, LCKS bits in LMDn register, and IBS bits in LSCn register

2. As necessary, set the related registers in **CHAPTER 22 INTERRUPT FUNCTIONS**.

3. When the successful header transmission interrupt and successful frame reception interrupt are used in the same interrupt, the SHIE bit in the LIEn register should not be set to 1 (successful header transmission interrupt enabled) if the software processing of the successful header transmission interrupt does not complete before the successful frame reception interrupt is generated.

The period starting from when the successful header transmission flag is set until the successful frame/wake-up reception flag is set can be calculated as follows:

$$10 \times (\text{number of data bytes} + 1) [\text{Tbit}]$$

$$1 \text{ Tbit} = \text{LIN communication clock source} \times 16$$

Remark x: Any desired value

17.6.4 Transmission in LIN Slave Self-Test Mode

To execute a self-test on LIN slave transmission, perform the procedure below:

- Set registers related to the baud rate, noise filter, and interrupt output.
LWBRn register = 0000xxx0b^{Note 1}
LBRPn0 register = xxxxxxxxb^{Note 1}
LBRPn1 register = xxxxxxxxb^{Note 1}
LMDn register = 00xx0011b^{Note 4}
- Set registers related to interrupt enabling and error enabling.
LIEn register = 0000xxx^{Note 2, 4}
LEDEn register = xx0xx00xb
- Set registers related to the break field and spaces.
LBFCn register = 0000000xb^{Note 3}
LSCn register = 00xx0001b
- Cancel the reset.
Write 11b to the OM1 and OM0 bits in the LCUCn register and verify that the OMM1 and OMM0 bits in the LMSTn register become 11b.
- Set registers related to the transmission frame.
LDFCn register = 00x1xxxxb
LIDBn register = xxxxxxxxb
LDBn1 to LDBn8 registers = xxxxxxxxb
- Start header reception followed with response transmission
Set the FTS bit in the LTRCn register to 1 (header reception or wake-up transmission/reception started).
(Without any operation involving the RTS bit in the LTRCn register, the reception of a header and the transmission of a response are executed, in the indicated order.)

The LIN slave self-test mode (transmission) is executed. In this mode, interrupts are generated, and status and error status are also updated appropriately. The checksum is automatically computed by the LIN/UART module.

When the execution of LIN master self-test mode (transmission) is aborted, set OM0 bit of LCUCn register to 0 (LIN reset mode).

- When the transmission is completed, the reversed value of the looped-back frame data is stored in the LIDBn, LDBnm (m = 1 to 8), and LCBRn registers (the data is reversed before being stored because the transmitted value should be compared with the looped-back value). The FTS bit in the LTRCn register is cleared.
- If the transmission fails to complete due to an error, the applicable error flag is set and the FTS bit in the LTRCn register is cleared.

Notes 1. The following register settings do not affect the operations in LIN self-test mode. Therefore, setting them is not mandatory.

LPRS bits in LWBRn register, LBRPn0 register, and LBRPn1 register

2. As necessary, set the related registers in **CHAPTER 22 INTERRUPT FUNCTIONS**.
3. A break with a width of 9.5 or 10.5 Tbits is output from the internal LTXDn pin depending on this register setting.
4. When the successful header reception interrupt and successful response transmission interrupt are used in the same interrupt, the SHIE bit in the LIEn register should not be set to 1 (successful header reception interrupt enabled) if the software processing of the successful header reception interrupt does not complete before the successful response transmission interrupt is generated.

The period starting from when the successful header reception flag is set until the successful response/wake-up transmission flag is set can be calculated as follows:

$$10 \times (\text{number of data bytes} + 1) [\text{Tbit}]$$

$$1 \text{ Tbit} = \text{LIN communication clock source} \times 16$$

Remark x: Any desired value

17.6.5 Reception in LIN Slave Self-Test Mode

To execute a self-test on LIN slave reception, perform the procedure below:

- Set registers related to the baud rate, noise filter, and interrupt output.
LWBRn register = 0000xxx0b^{Note 1}
LBRPn0 register = xxxxxxxxb^{Note 1}
LBRPn1 register = xxxxxxxxb^{Note 1}
LMDn register = 00xx0011b^{Note 4}
- Set registers related to interrupt enabling and error enabling.
LIEn register = 0000xxxxb^{Note 2, 4}
LEDEn register = xx0xx00xb
- Set registers related to the break field and spaces.
LBFCn register = 0000000xb^{Note 3}
LSCn register = 00xx0001b^{Note 1}
- Cancel the reset.
Write 11b to the OM1 and OM0 bits in the LCUCn register and verify that the OMM1 and OMM0 bits in the LMSTn register become 11b.
- Set registers related to the reception frame.
LDFCn register = 00x0xxxxb
LIDBn register = xxxxxxxxb
LDBn1 to LDBn8 registers = xxxxxxxxb
LCBRn register = xxxxxxxxb

Since the checksum is not computed automatically, store a computed value. By intentionally setting an incorrect computation result as the checksum, a test for checksum errors can be performed.

- Start header reception followed with response reception
Set the FTS bit in the LTRCn register to 1 (header reception or wake-up transmission/reception started).
(Without any operation involving the RTS bit in the LTRCn register, the reception of a header and the reception of a response are executed, in the indicated order.)

The LIN slave self-test mode (reception) is executed. In this mode, interrupts are generated, and status and error status are also updated appropriately. When the execution of LIN master self-test mode (reception) is aborted, set OM0 bit of LCUCn register to 0 (LIN reset mode).

- When the reception is completed, the reversed value of the looped-back frame data is stored in the LIDBn, LDBnm (m = 1 to 8), and LCBRn registers (the data is reversed before being stored because the set value should be compared with the looped-back and received value). The FTS bit in the LTRCn register is cleared.
- If the reception fails to complete due to an error, the applicable error flag is set and the FTS bit in the LTRCn register is cleared.

Notes 1. The following register settings do not affect the operations in LIN self-test mode. Therefore, setting them is not mandatory.

LPRS bits in LWBRn register, LBRPn0 register, LBRPn1 register, and IBS bits in LSCn register

2. As necessary, set the related registers in **CHAPTER 22 INTERRUPT FUNCTIONS**.
3. A break with a width of 9.5 or 10.5 Tbits is output from the internal LTXDn pin depending on this register setting.
4. When the successful header reception interrupt and successful response reception interrupt are used in the same interrupt, the SHIE bit in the LIEn register should not be set to 1 (successful header reception interrupt enabled) if the software processing of the successful header reception interrupt does not complete before the successful response reception interrupt is generated.

The period starting from when the successful header reception flag is set until the successful response/wake-up reception flag is set can be calculated as follows:

$$10 \times (\text{number of data bytes} + 1) [\text{Tbit}]$$

$$1 \text{ Tbit} = \text{LIN communication clock source} \times 16$$

Remark x: Any desired value

17.6.6 Terminating LIN Self-Test Mode

To terminate LIN self-test mode, perform the procedure below:

- Write 0 (LIN reset mode) to the OM0 bit in the LCUCn register.
If the OMM1 and OMM0 bits in the LMSTn register are not 11b, write 11b to the OM1 and OM0 bits in the LCUCn register. After confirming that the OMM1 and OMM0 bits in the LMSTn register have turned 11b, change to LIN reset mode.
- Verify the cancellation of LIN self-test mode.
Read the LSTM bit in the LSTCn register; confirm that it is not 0 (not in LIN self-test)
- Verify the transition to LIN reset mode.
Read the OMM0 bit in the LMSTn register; verify that it is 0 (LIN reset mode).

17.7 Baud Rate Generator

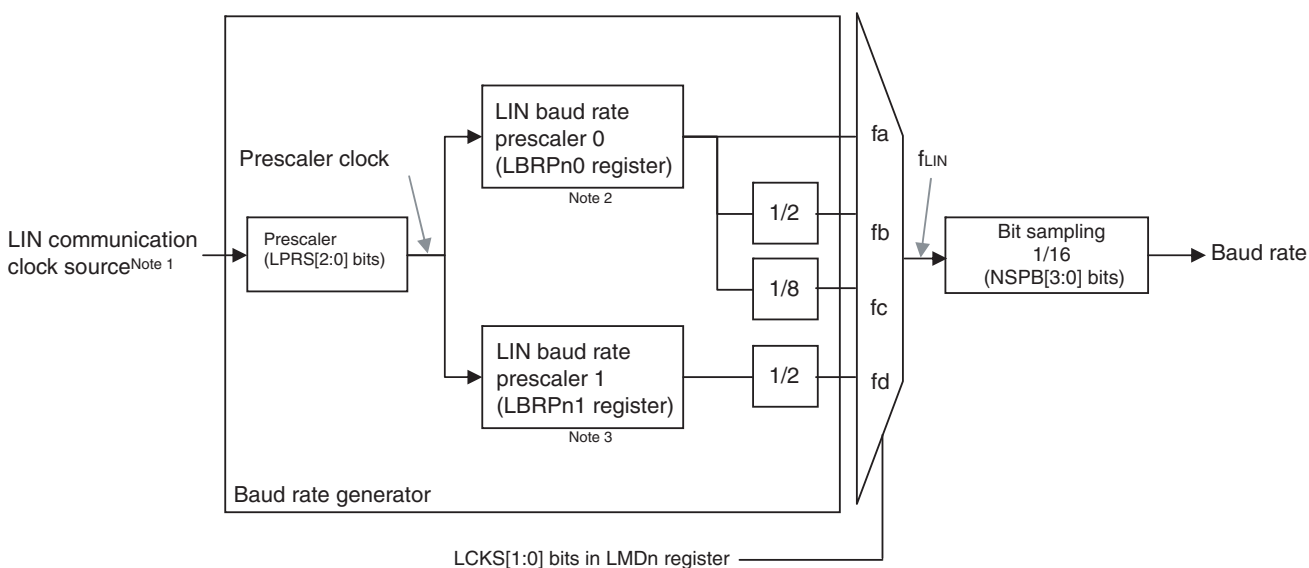
The prescaler clock is obtained by frequency-dividing the LIN communication clock source by the prescaler, and the LIN system clock (f_{LIN}) is obtained by frequency-dividing the prescaler clock by the baud rate generator. The clock obtained by frequency-dividing the LIN system clock (f_{LIN}) by the number of samples is the baud rate. The reciprocal of this baud rate is called the bit time (Tbit).

The LIN/UART module has two kinds of baud rate generators. The baud rate generators switch over according to the mode used.

17.7.1 LIN Master Mode

Figure 17-41 shows a block diagram of baud rate generation in LIN master mode.

Figure 17-41. Block Diagram of Baud Rate Generation in LIN Master Mode



- Notes 1. For the LIN communication clock source, refer to CHAPTER 5 CLOCK GENERATOR.
 2. When the value in the LBRPn0 register is N (N = 0 to 255), the clock frequency is divided by N+1.
 3. When the value in the LBRPn1 register is M (M = 0 to 255), the clock frequency is divided by M+1.

Set the LIN communications clock source as follows.

- LIN communications clock source = $f_{CLK}^{Note 1}$
- In the range from 4 MHz to 32 MHz

Note 1. When the timeout error detection is not used, the f_{MX} clock is selectable as the LIN communication clock source. In that case, set at least 1.2 times the frequency of the LIN communication clock source to the CPU/peripheral hardware clock(f_{CLK}).

By setting the LBRPn0 register so that fa is 307200 Hz (= 19200 × 16), the resulting bit rates are fa = 19200 × 16, fb = 9600 × 16 and fc = 2400 × 16. These bit rates are frequency-divided by 16 in the bit timing generator, enabling bit rates of 19200 bps, 9600 bps and 2400 bps to be generated. Also, by setting the LBRPn1 register so that fd is 166672 Hz (= 10417 × 16), the resulting bit rate is fd = 10417 × 16. This bit rate is frequency-divided by 16 in the bit timing generator, enabling 10417 bps to be generated.

Table 17-28 shows examples of baud rate (19200, 10417, 9600, and 2400 bps) generation for each LIN communication clock source frequency, and also the corresponding errors.

Table 17-28. Examples of Baud Rate (19200, 10417, 9600, and 2400 bps) Generation in LIN Master Mode

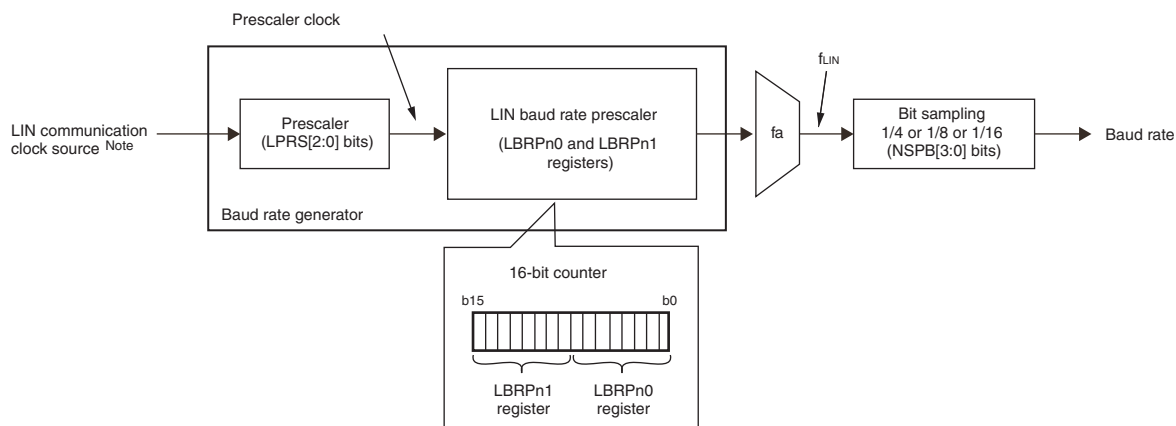
LIN communication clock source	Prescaler	Baud rate generator 0 N+1 frequency-divided	Baud rate generator 1 M+1 frequency-divided	LIN system clock	Baud rate	Error
32 MHz	1/1	104	—	fa	19230.77	+0.16%
		—	96	fd	10416.67	-0.003%
		104	—	fb	9615.38	+0.16%
		104	—	fc	2403.85	+0.16%
24 MHz	1/1	78	—	fa	19230.77	+0.16%
		—	72	fd	10416.67	-0.003%
		78	—	fb	9615.38	+0.16%
		78	—	fc	2403.85	+0.16%
16 MHz	1/1	52	—	fa	19230.77	+0.16%
		—	48	fd	10416.67	-0.003%
		52	—	fb	9615.38	+0.16%
		52	—	fc	2403.85	+0.16%
12 MHz	1/1	39	—	fa	19230.77	+0.16%
		—	36	fd	10416.67	-0.003%
		39	—	fb	9615.38	+0.16%
		39	—	fc	2403.85	+0.16%
8 MHz	1/1	26	—	fa	19230.77	+0.16%
		—	24	fd	10416.67	-0.003%
		26	—	fb	9615.38	+0.16%
		26	—	fc	2403.85	+0.16%

Remark The numbers in the table are for sixteen samples per bit (i.e. when NSPB[3:0] = 0000b or 1111b).

17.7.2 LIN Slave Mode

Figure 17-42 shows a block diagram of baud rate generation in LIN slave mode.

Figure 17-42. Block Diagram of Baud Rate Generation in LIN Slave Mode



Note For the LIN communication clock source, refer to CHAPTER 5 CLOCK GENERATOR.

Set the LIN communications clock source as follows.

- LIN communications clock source = f_{CLK}^{Note1}
- In the range from 4 MHz to 32 MHz

Note 1. When the timeout error detection is not used, the f_{MX} clock is selectable as the LIN communication clock source. In that case, set at least 1.2 times the frequency of the LIN communication clock source to the CPU/peripheral hardware clock(f_{CLK}).

In LIN slave mode [Auto Baud Rate], operation is possible with the baud rates from 1 kbps to 20 kbps. Set the prescaler clock according to the target baud rate so that its frequency is the corresponding value from the list.

[Target baud rate]	[Frequency of prescaler clock]
1 kbps to 20 kbps:	4 MHz ^{Note}
1 kbps to less than 2.4 kbps:	4 MHz
2.4 kbps to 20 kbps:	8 MHz to 12 MHz

Note Set the NSPB[3:0] bits in the LWBRn register to 0011b (4 sampling).

Table 17-29 shows the examples of baud rate (19200, 10417, 9600, and 2400 bps) generation for each LIN communication clock source frequency in LIN slave mode [fixed baud rate] and errors.

Table 17-29. Examples of Baud Rate Generation (19200 bps, 10417 bps, 9600 bps and 2400 bps) in LIN Slave Mode [Fixed Baud Rate]

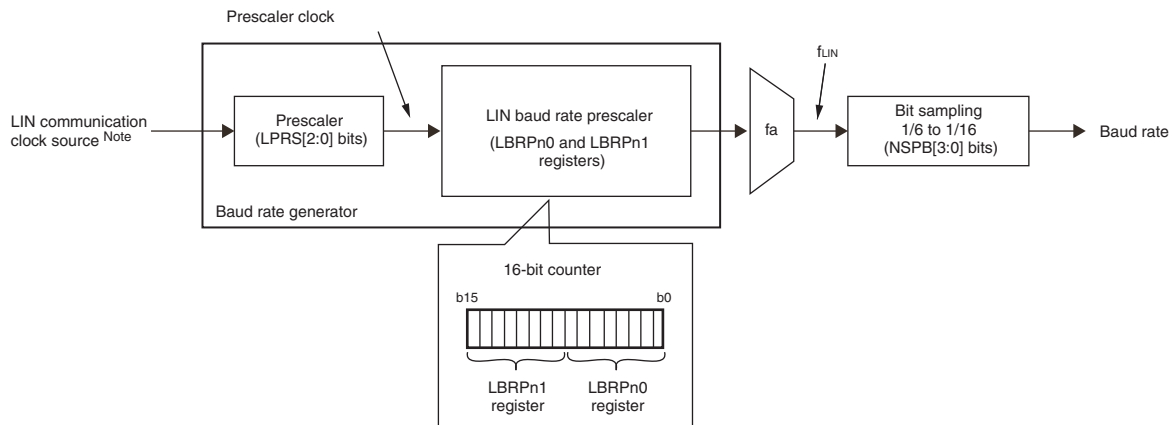
LIN communication clock source	Prescaler	Baud rate generator 0-1 N+1 frequency-divided	Baud rate	Error
32 MHz	1/1	104	19230.77	+0.16%
		192	10416.67	-0.003%
		208	9615.38	+0.16%
		833	2400.96	+0.04%
24 MHz	1/1	78	19230.77	+0.16%
		144	10416.67	-0.003%
		156	9615.38	+0.16%
		625	2400	0%
16 MHz	1/1	52	19230.77	+0.16%
		96	10416.67	-0.003%
		104	9615.38	+0.16%
		417	2398.08	-0.08%
12 MHz	1/1	39	19230.77	+0.16%
		72	10416.67	-0.003%
		78	9615.38	+0.16%
		313	2396.17	-0.16%
8 MHz	1/1	26	19230.77	+0.16%
		48	10416.67	-0.003%
		52	9615.38	+0.16%
		208	2403.85	+0.16%

Remark The numbers in the table are for sixteen samples per bit (i.e. when NSPB[3:0] = 0000b or 1111b).

17.7.3 UART Mode

Figure 17-43 shows a block diagram of baud rate generation in UART mode.

Figure 17-43. Block Diagram of Baud Rate Generation in UART Mode



Note For the LIN communication clock source, refer to CHAPTER 5 CLOCK GENERATOR.

Set the LIN communications clock source as follows.

- LIN communications clock source = f_{CLK}^{Note1}
- In the range from 4 MHz to 32 MHz

Note 1. It is available to select the f_{MX} to the LIN communications clock source. In that case, set at least 1.2 times the frequency of the LIN communication clock source to the CPU/peripheral hardware clock(f_{CLK}).

Table 17-30. UART Baud Rate Setting Examples (when LIN communication clock source = 32 MHz)

UART Baud Rate (Target Baud Rate)	Prescaler	Baud rate generator 0-1 N+1 frequency-divided	Baud rate	Error
1200 bps	1/2	833	1200.48	+0.04%
2400 bps	1/2	417	2398.08	-0.08%
4800 bps	1/2	208	4807.69	+0.16%
9600 bps	1/2	104	9615.38	+0.16%
19200 bps	1/2	52	19230.77	+0.16%
31250 bps	1/2	32	31250.00	0.00%
38400 bps	1/2	26	38461.54	+0.16%

Remarks 1. These examples are for sixteen samples per bit (i.e. when NSPB[3:0] = 0000b or 1111b).

2. The baud rate can be calculated by the following expression.

$$\text{Baud rate} = (\text{LIN communications clock source } (f_{CLK} \text{ or } f_{MX}: \text{ selected by the LINnMCK bits}) \text{ frequency}) \times (\text{frequency divider selected by LPRS[2:0]} \div (\text{LBRPn0} + (0x0100 \times \text{LBRPn1}) + 1)) \div \text{number selected by NSPB[3:0] bps}$$

17.8 Noise Filter

The LIN/UART module has a noise filter for reducing erroneous receiving of data due to noise. By setting the LRDNFS bit in the LMDn register to 0 (to use the noise filter), the noise filter is activated. The noise filter samples the level of the synchronized LRxDn (n = 0-2) based on the prescaler clock, and outputs the majority among three sampled levels. The value of each bit in the received data is determined by the noise filter output.

Figure 17-44 shows the configuration of the noise filter, figure 17-45 an example of a noise filter circuit, and figure 17-46 the determination of the received data when the noise filter is used.

Figure 17-44. Configuration of Noise Filter

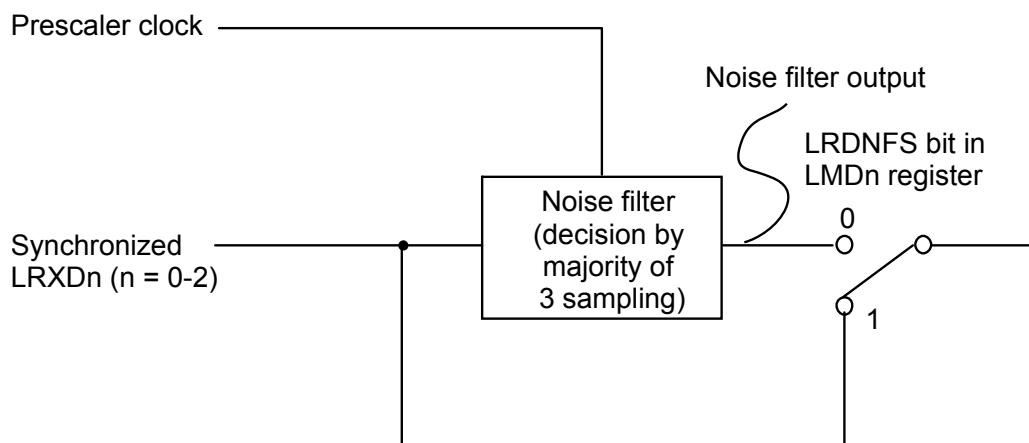


Figure 17-45. Example of Noise Filter Circuit

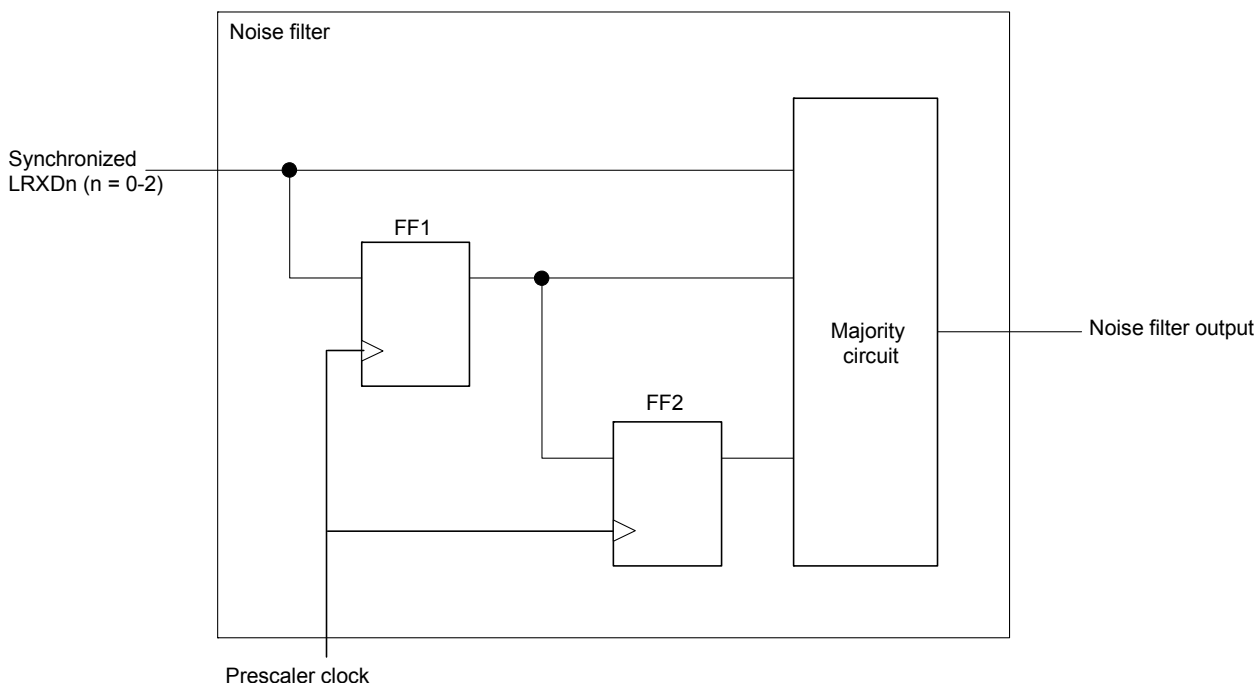
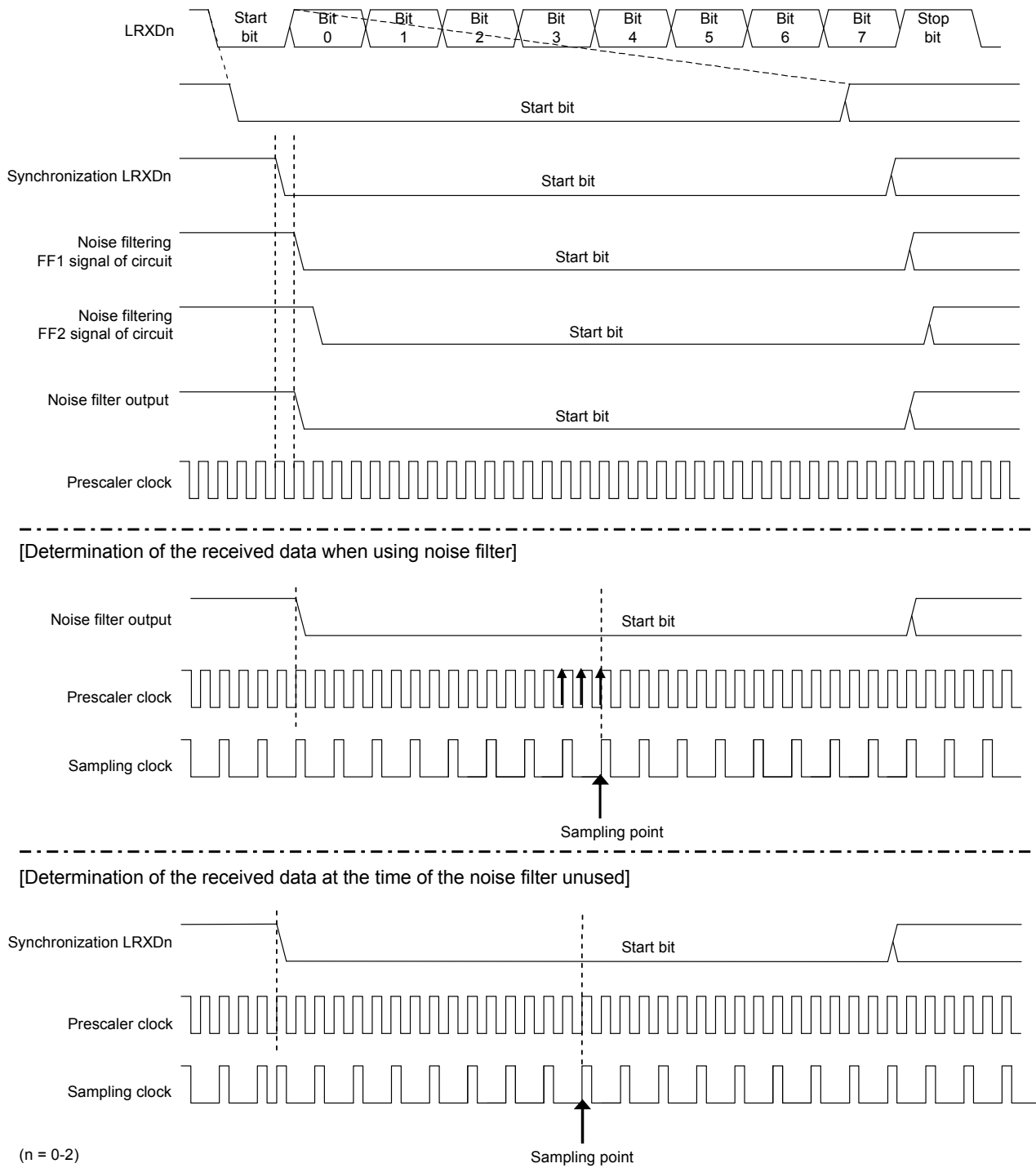


Figure 17-46. Determination of Received Data when Noise Filter is Used



17.9 Interrupts

The LIN/UART module generates four types of interrupt requests.

- LINn successful transmission interrupt
- LINn successful reception interrupt
- LINn reception status interrupt
- LINn interrupt

Setting the LIOS bit in the LMDn register to 0 allows to perform logical OR operation on all of the interrupt sources, outputting the interrupt request from the LINn interrupt.

Setting the LIOS bit in the LMDn register to 1 allows to output the LINn successful transmission interrupt, LINn successful reception interrupt, or LINn reception status interrupt depending on the interrupt sources.

Table 17-31 lists the sources for each interrupt.

Table 17-31. Interrupt Sources

Mode		LIOS bit in LMDn register is 0	LIOS bit in LMDn register is 1 ^{Note}		
		LINn Interrupt	LINn Successful Transmission Interrupt	LINn Successful Reception Interrupt	LINn Reception Status Interrupt
LIN mode	LIN master mode	<ul style="list-style-type: none"> • Successful frame transmission • Successful frame reception • Successful wake-up transmission • Successful wake-up reception • Successful header transmission • Bit error • Physical bus error • Frame/response timeout error • Framing error • Checksum error • Response preparation error 	<ul style="list-style-type: none"> • Successful frame transmission • Successful wake-up transmission • Successful header transmission 	<ul style="list-style-type: none"> • Successful frame reception • Successful wake-up reception 	<ul style="list-style-type: none"> • Bit error • Physical bus error • Frame/response timeout error • Framing error • Checksum error • Response preparation error
	LIN slave mode	<ul style="list-style-type: none"> • Successful response transmission • Successful response reception • Successful wake-up transmission • Successful wake-up reception • Successful header reception • Bit error • Frame/response timeout error • Framing error • Sync field error • Checksum error • ID parity error • Response preparation error 	<ul style="list-style-type: none"> • Successful response transmission • Successful wake-up transmission 	<ul style="list-style-type: none"> • Successful response reception • Successful wake-up reception • Successful header reception 	<ul style="list-style-type: none"> • Bit error • Frame/response timeout error • Framing error • Sync field error • Checksum error • ID parity error • Response preparation error
UART mode		—	<ul style="list-style-type: none"> • Transmission start/successful transmission 	<ul style="list-style-type: none"> • Successful reception • Expansion bit mismatch 	<ul style="list-style-type: none"> • Bit error • Overrun error • Framing error • Expansion bit detection • ID match • Parity error

Note LIOS bit setting is enabled in LIN mode. LIOS bit setting is not required in UART mode.

Each interrupt request is output when the corresponding bit in the LIEn register is 1 (interrupt is enabled) and the corresponding flag in the LSTn register is 1.

CHAPTER 18 CAN INTERFACE (RS-CAN LITE)

The RL78/F15 products incorporate two channels of CAN module.

18.1 Overview

Table 18-1 shows the CAN module specifications. Figure 18-1 shows the CAN module block diagram.

In this chapter, the following variables indicate the number of channels and registers.

- i ($i = 0, 1$): CAN channel number
- j ($j = 0$ to 39): CAN receive rule entry register number
(GAFLIDL j , GAFLIDH j , GAFLML j , GAFLMH j , GAFLPL j , GAFLPH j)
- k ($k = 0, 1$): Transmit/receive FIFO buffer number
- m ($m = 0$ to 3): Receive FIFO buffer number
- n ($n = 0$ to 31): Receive buffer number
- p ($p = 0$ to 7): Transmit buffer number
- r ($r = 0$ to 127): CAN RAM test register (RPGACC r) number

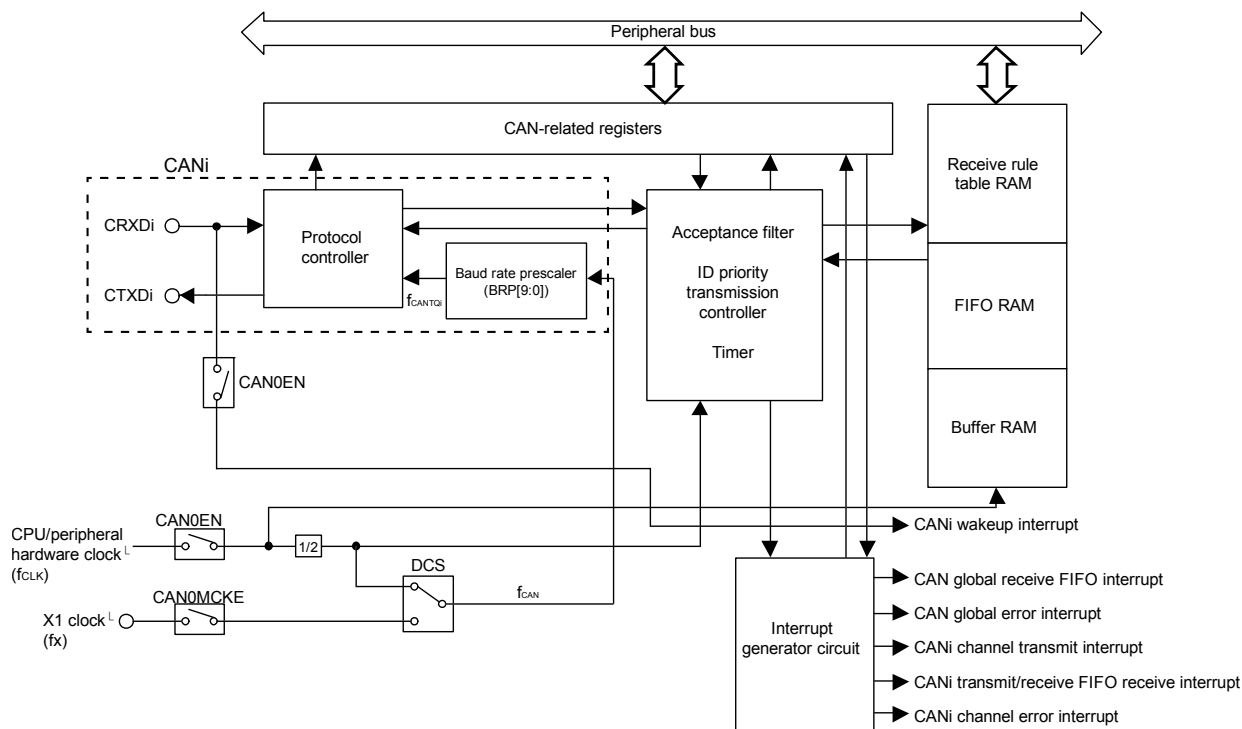
Table 18-1. CAN Module Specifications (1/2)

Item	Specification
Number of channels	2
Protocol	ISO11898-1 compliant
Communication speed	<ul style="list-style-type: none"> Maximum 1 Mbps $\text{Communication speed (CANi bit time clock)} = \frac{1}{\text{CANi bit time}}$ <p>CANi bit time = CANiTq x Tq count per bit</p> $\text{CANiTq} = \frac{(\text{BRP}[9:0] \text{ bits in the CiCFGL register} + 1)}{f_{\text{CAN}}}$ <p>i = 0, 1 Tq: Time quantum f_{CAN}: Frequency of CAN clock (selected by the DCS bit in the GCFGL register)</p>
Buffer	<p>48 buffers in total</p> <ul style="list-style-type: none"> Individual buffers: 8 buffers (4 buffers for two channels) Transmit buffer: 4 buffers per a channel Shared buffers: 40 buffers Receive buffer: 0 to 32 buffers Receive FIFO buffer: 4 FIFO buffers (up to 32 buffers allocatable to each) Transmit/receive FIFO buffer: A FIFO buffer per a channel (up to 32 buffers allocatable to each)
Reception function	<ul style="list-style-type: none"> Receives data frames and remote frames. Selects ID format (standard ID, extended ID, or both IDs) to be received. Sets interrupt enable/disable for each FIFO. Mirror function (to receive messages transmitted from the own CAN node) Timestamp function (to record message reception time as a 16-bit timer value)
Reception filter function	<ul style="list-style-type: none"> Selects receive messages according to 16 receive rules. Sets the number of receive rules (0 to 16) for each channel. Acceptance filter processing: Sets ID and mask for each receive rule. DLC filter processing: Sets DLC check value for each receive rule.
Receive message transfer function	<ul style="list-style-type: none"> Routing function to transfer receive messages to arbitrary destinations (can be transferred to up to 2 buffers). Transfer destination: Receive buffer, receive FIFO buffer, and transmit/receive FIFO buffer Label addition function Stores label information together when storing a message in a receive buffer and FIFO buffer.
Transmission function	<ul style="list-style-type: none"> Transmits data frames and remote frames. Selects ID format (standard ID, extended ID, or both IDs) to be transmitted. Sets interrupt enable/disable for each transmit buffer and transmit/receive FIFO buffer. Selects ID priority transmission or transmit buffer number priority transmission. Transmit request can be aborted (possible to confirm with the flag) One-shot transmission function
Interval transmission function	Sets message transmission interval time (transmit mode of transmit/receive FIFO buffers or gateway mode)
Gateway function	The function that the received messages are automatically transmitted to.
Transmit history function	Stores the history information of transmitted messages.

Table 18-1. CAN Module Specifications (2/2)

Item	Specification
Bus off recovery mode selection	<p>Selects a method of returning from bus off state.</p> <ul style="list-style-type: none"> • ISO11898-1 compliant • Automatic entry to channel halt mode at bus-off entry • Automatic entry to channel halt mode at bus-off end • Entry to channel halt mode by a program • Transition to the error-active state by a program (forcible return from the bus off state)
Error status monitoring	<ul style="list-style-type: none"> • Monitors CAN protocol errors (stuff error, form error, ACK error, CRC error, bit error, ACK delimiter error, and bus dominant lock). • Detects error status transitions (error warning, error passive, bus off entry, and bus off recovery) • Reads the error counter. • Monitors DLC errors.
Interrupt source	<p>10 sources</p> <ul style="list-style-type: none"> • Global (2 sources) <ul style="list-style-type: none"> CAN global receive FIFO interrupt CAN global error interrupt • Channel (4 sources/channel) <ul style="list-style-type: none"> CANi channel transmit interrupt <ul style="list-style-type: none"> CANi transmit complete interrupt CANi transmit abort interrupt CANi transmit/receive FIFO transmit complete interrupt (transmit mode, gateway mode) CANi transmit history interrupt CANi transmit/receive FIFO receive interrupt (receive mode, gateway mode) CANi channel error interrupt CANi wakeup interrupt
CAN stop mode	Reduces power consumption by stopping clock supply to the CAN module.
CAN clock source	Selects the clock obtained by frequency-dividing f_{CLK} by 2 ($f_{CLK}/2$) or the X1 clock (fx).
Test function	<p>Test function for user evaluation</p> <ul style="list-style-type: none"> • Listen-only mode • Self-test mode 0 (external loopback) • Self-test mode 1 (internal loopback) • RAM test (read/write test) • Inter-Channel Communication Test

Figure 18-1. CAN Module Block Diagram (i = 0, 1)



Remark i = 0, 1
 BRP[9:0]: Bits in the CiCFGL register
 DCS: Bit in the GCFGL register
 $f_{CAN(TQ)}$: CANi Tq clock
 f_{CAN} : CAN clock
 CAN0EN: Bit in the PER2 register
 CAN0MCKE: Bit in the CANCKSEL register

18.2 Input/Output Pins

Table 18-2 lists the I/O pins of the CAN module.

Table 18-2. I/O Pins of the CAN Module

Pin Name	I/O	Description
CRXD0	Input	Receive data input pins of the CAN0 communication function
CTXD0	Output	Transmit data output pins of the CAN0 communication function
CRXD1	Input	Receive data input pins of the CAN1 communication function
CTXD1	Output	Transmit data output pins of the CAN1 communication function

18.3 Register Descriptions

Table 18-3 lists the registers of the CAN module.

The values after reset of the registers allocated to the CAN RAM area (F03A0H to F0681H) are those after the CAN RAM is initialized.

Table 18-3. List of CAN Module Registers (1/37)

Address	Special Function Register (SFR) Name	Symbol		R/W	Access Size			After Reset
					1 bit	8 bits	16 bits	
F02C1H	Peripheral enable register 2	PER2		R/W	√	√	—	00H
F02C2H	CAN clock select register	CANCKSEL		R/W	√	√	—	00H
F0300H	CAN0 bit configuration register L	C0CFGLL	C0CFGL	R/W	—	√	√	0000H
F0301H		C0CFGLH			—	√		
F0302H	CAN0 bit configuration register H	C0CFGHL	C0CFGH	R/W	—	√	√	0000H
F0303H		C0CFGHH			—	√		
F0304H	CAN0 control register L	C0CTRL	C0CTRL	R/W	—	√	√	0005H Note
F0305H		C0CTRLH			—	√		
F0306H	CAN0 control register H	C0CTRHL	C0CTRHL	R/W	—	√	√	0000H
F0307H		C0CTRHH			—	√		
F0308H	CAN0 status register L	C0STSLL	C0STSL	R	—	√	√	0005H Note
F0309H		C0STSLH			—	√		
F030AH	CAN0 status register H	C0STSHL	C0STSH	R	—	√	√	0000H
F030BH		C0STSHH			—	√		
F030CH	CAN0 error flag register L	C0ERFLL	C0ERFLL	R/W	—	√	√	0000H
F030DH		C0ERFLLH			—	√		
F030EH	CAN0 error flag register H	C0ERFLH	C0ERFLH	R	—	√	√	0000H
F030FH		C0ERFLHH			—	√		
F0310H	CAN1 bit configuration register L	C1CFGLL	C1CFGL	R/W	—	√	√	0000H
F0311H		C1CFGLH			—	√		
F0312H	CAN1 bit configuration register H	C1CFGHL	C1CFGH	R/W	—	√	√	0000H
F0313H		C1CFGHH			—	√		
F0314H	CAN1 control register L	C1CTRL	C1CTRL	R/W	—	√	√	0005H Note
F0315H		C1CTRLH			—	√		
F0316H	CAN1 control register H	C1CTRHL	C1CTRHL	R/W	—	√	√	0000H
F0317H		C1CTRHH			—	√		
F0318H	CAN1 status register L	C1STSLL	C1STSL	R	—	√	√	0005H Note
F0319H		C1STSLH			—	√		
F031AH	CAN1 status register H	C1STSHL	C1STSH	R	—	√	√	0000H
F031BH		C1STSHH			—	√		
F031CH	CAN1 error flag register L	C1ERFLL	C1ERFLL	R/W	—	√	√	0000H
F031DH		C1ERFLLH			—	√		
F031EH	CAN1 error flag register H	C1ERFLH	C1ERFLH	R	—	√	√	0000H
F031FH		C1ERFLHH			—	√		
F0322H	CAN global configuration register L	GCFGLL	GCFGL	R/W	—	√	√	0000H
F0323H		GCFGLH			—	√		
F0324H	CAN global configuration register H	GCFGHL	GCFGH	R/W	—	√	√	0000H
F0325H		GCFGHH			—	√		
F0326H	CAN global control register L	GCTRL	GCTRL	R/W	—	√	√	0005H Note
F0327H		GCTRLH			—	√		
F0328H	CAN global control register H	GCTRHL	GCTRHL	R/W	—	√	√	0000H
F0329H		GCTRHH			—	√		

Note When the CAN0EN bit in the PER2 register is set to 0, the read value is undefined.

When the CAN0EN bit in the PER2 register is set to 1, the read value is the initial value listed above.

Table 18-3. List of CAN Module Registers (2/37)

Address	Special Function Register (SFR) Name	Symbol		R/W	Access Size			After Reset
					1 bit	8 bits	16 bits	
F032AH	CAN global status register	GSTSL	GSTS	R	—	√	√	000DH Note
F032BH		GSTSH			—	√		
F032CH	CAN global error flag register	GERFLL		R/W	—	√	—	00H
F032EH	CAN timestamp register	GTSC		R	—	—	√	0000H
F032FH					—	—		
F0330H	CAN receive rule number configuration register	GAFLCFGL	GAFLCFG	R/W	—	√	√	0000H
F0331H		GAFLCFGH			—	√		
F0332H	CAN receive buffer number configuration register	RMNBL	RMNB	R/W	—	√	√	0000H
F0333H		—			—	—		
F0334H	CAN receive buffer receive complete flag register 0	RMND0L	RMND0	R/W	—	√	√	0000H
F0335H		RMND0H			—	√		
F0336H	CAN receive buffer receive complete flag register 1	RMND1L	RMND1	R/W	—	√	√	0000H
F0337H		RMND1H			—	√		
F0338H	CAN receive FIFO control register 0	RFCC0L	RFCC0	R/W	—	√	√	0000H
F0339H		RFCC0H			—	√		
F033AH	CAN receive FIFO control register 1	RFCC1L	RFCC1	R/W	—	√	√	0000H
F033BH		RFCC1H			—	√		
F033CH	CAN receive FIFO control register 2	RFCC2L	RFCC2	R/W	—	√	√	0000H
F033DH		RFCC2H			—	√		
F033EH	CAN receive FIFO control register 3	RFCC3L	RFCC3	R/W	—	√	√	0000H
F033FH		RFCC3H			—	√		
F0340H	CAN receive FIFO status register 0	RFSTS0L	RFSTS0	R/W	—	√	√	0001H Note
F0341H		RFSTS0H		R	—	√		
F0342H	CAN receive FIFO status register 1	RFSTS1L	RFSTS1	R/W	—	√	√	0001H Note
F0343H		RFSTS1H		R	—	√		
F0344H	CAN receive FIFO status register 2	RFSTS2L	RFSTS2	R/W	—	√	√	0001H Note
F0345H		RFSTS2H		R	—	√		
F0346H	CAN receive FIFO status register 3	RFSTS3L	RFSTS3	R/W	—	√	√	0001H Note
F0347H		RFSTS3H		R	—	√		
F0348H	CAN receive FIFO pointer control register 0	RFPCTR0L	RFPCTR0	W	—	√	√	0000H
F0349H		RFPCTR0H			—	√		
F034AH	CAN receive FIFO pointer control register 1	RFPCTR1L	RFPCTR1	W	—	√	√	0000H
F034BH		RFPCTR1H			—	√		
F034CH	CAN receive FIFO pointer control register 2	RFPCTR2L	RFPCTR2	W	—	√	√	0000H
F034DH		RFPCTR2H			—	√		
F034EH	CAN receive FIFO pointer control register 3	RFPCTR3L	RFPCTR3	W	—	√	√	0000H
F034FH		RFPCTR3H			—	√		
F0350H	CAN0 transmit/receive FIFO control register 0L	CFCC0L	CFCC0	R/W	—	√	√	0000H
F0351H		CFCC0H			—	√		
F0352H	CAN0 transmit/receive FIFO control register 0H	CFCC0L	CFCC0	R/W	—	√	√	0000H
F0353H		CFCC0H			—	√		
F0354H	CAN0 transmit/receive FIFO control register 1L	CFCC1L	CFCC1	R/W	—	√	√	0000H
F0355H		CFCC1H			—	√		
F0356H	CAN0 transmit/receive FIFO control register 1H	CFCC1L	CFCC1	R/W	—	√	√	0000H
F0357H		CFCC1H			—	√		
F0358H	CAN0 transmit/receive FIFO status register 0	CFSTS0L	CFSTS0	R/W	—	√	√	0001H Note
F0359H		CFSTS0H		R	—	√		

Note When the CAN0EN bit in the PER2 register is set to 0, the read value is undefined.
When the CAN0EN bit in the PER2 register is set to 1, the read value is the initial value listed above.

Table 18-3. List of CAN Module Registers (3/37)

Address	Special Function Register (SFR) Name	Symbol		R/W	Access Size			After Reset
					1 bit	8 bits	16 bits	
F035AH	CAN0 transmit/receive FIFO status register	CFSTS1L	CFSTS1	R/W	—	√	√	0001H Note
F035BH		CFSTS1H		R	—	√		
F035CH	CAN0 transmit/receive FIFO pointer control register 0	CFPCTR0L	CFPCTR0	W	—	√	√	0000H
F035DH		—			—	—		
F035EH	CAN1 transmit/receive FIFO pointer control register 1	CFPCTR1L	CFPCTR1	W	—	√	√	0000H
F035FH		—			—	—		
F0360H	Receive FIFO message lost status register	RFMSTS		R	—	√	—	00H
F0361H	CAN transmit/receive FIFO message lost status register	CFMSTS		R	—	√	—	00H
F0362H	CAN receive FIFO interrupt status register	RFISTS		R	—	√	—	00H
F0363H	CAN transmit/receive FIFO receive interrupt status register	CFISTS		R	—	√	—	00H
F0364H	CAN0 transmit buffer control register 0	TMC0		R/W	—	√	—	00H
F0365H	CAN0 transmit buffer control register 1	TMC1		R/W	—	√	—	00H
F0366H	CAN0 transmit buffer control register 2	TMC2		R/W	—	√	—	00H
F0367H	CAN0 transmit buffer control register 3	TMC3		R/W	—	√	—	00H
F0368H	CAN1 transmit buffer control register 4	TMC4		R/W	—	√	—	00H
F0369H	CAN1 transmit buffer control register 5	TMC5		R/W	—	√	—	00H
F036AH	CAN1 transmit buffer control register 6	TMC6		R/W	—	√	—	00H
F036BH	CAN1 transmit buffer control register 7	TMC7		R/W	—	√	—	00H
F036CH	CAN0 transmit buffer status register 0	TMSTS0		R/W	—	√	—	00H
F036DH	CAN0 transmit buffer status register 1	TMSTS1		R/W	—	√	—	00H
F036EH	CAN0 transmit buffer status register 2	TMSTS2		R/W	—	√	—	00H
F036FH	CAN0 transmit buffer status register 3	TMSTS3		R/W	—	√	—	00H
F0370H	CAN1 transmit buffer status register 4	TMSTS4		R/W	—	√	—	00H
F0371H	CAN1 transmit buffer status register 5	TMSTS5		R/W	—	√	—	00H
F0372H	CAN1 transmit buffer status register 6	TMSTS6		R/W	—	√	—	00H
F0373H	CAN1 transmit buffer status register 7	TMSTS7		R/W	—	√	—	00H
F0374H	CAN0 transmit buffer transmit request status register	TMTRSTSL	TMTRSTS	R	—	√	√	0000H
F0375H		TMTRSTSH			—	√		
F0376H	CAN0 transmit buffer transmit complete status register	TMTCSTSL	TMTCSTS	R	—	√	√	0000H
F0377H		TMTCSTSH			—	√		
F0378H	CAN0 transmit buffer transmit abort status register	TMTASTSL	TMTASTS	R	—	√	√	0000H
F0379H		TMTASTSH			—	√		
F037AH	CAN0 transmit buffer interrupt enable register	TMIECL	TMIEC	R/W	—	√	√	0000H
F037BH		TMIECH			—	√		
F037CH	CAN0 transmit history buffer control register	THLCC0L	THLCC0	R/W	—	√	√	0000H
F037DH		THLCC0H			—	√		
F037EH	CAN1 transmit history buffer control register	THLCC1L	THLCC1	R/W	—	√	√	0000H
F037FH		THLCC1H			—	√		
F0380H	CAN0 transmit history buffer status register	THLSTS0L	THLSTS0	R/W	—	√	√	0001H Note
F0381H		THLSTS0H			—	√		
F0382H	CAN1 transmit history buffer status register	THLSTS1L	THLSTS1	R/W	—	√	√	0001H Note
F0383H		THLSTS1H			—	√		
F0384H	CAN0 transmit history buffer pointer control register	THLPCTR0L	THLPCTR0	W	—	√	√	0000H
F0385H		THLPCTR0H			—	√		
F0386H	CAN1 transmit history buffer pointer control register	THLPCTR1L	THLPCTR1	W	—	√	√	0000H
F0387H		THLPCTR1H			—	√		

Note When the CAN0EN bit in the PER2 register is set to 0, the read value is undefined.

When the CAN0EN bit in the PER2 register is set to 1, the read value is the initial value listed above.

Table 18-3. List of CAN Module Registers (4/37)

Address	Special Function Register (SFR) Name	Symbol		R/W	Access Size			After Reset
					1 bit	8 bits	16 bits	
F0388H	CAN global transmit interrupt status register	GTINTSTSL	GTINTSTS	R	—	√	√	0000H
F0389H		GTINTSTSH			—	√		
F038AH	CAN global RAM window control register	GRWCRL	GRWCR	R/W	—	√	√	0000H
F038BH		GRWCRH			—	√		
F038CH	CAN global test configuration register	GTSTCFGL	GTSTCFG	R/W	—	√	√	0000H
F038DH		GTSTCFGH			—	√		
F038EH	CAN global test control register	GTSTCTRL		R/W	—	√	—	00H
F0394H	CAN global test protection unlock register	GLOCKK		W	—	—	√	0000H
F0395H					—	—		
F03A0H	CAN receive rule entry register 0AL ^{Note 1}	GAFIDL0L	GAFIDL0	R/W	—	√	√	0000H
F03A1H		GAFIDL0H			—	√		
F03A0H	CAN receive buffer register 0AL ^{Note 2}	RMIDL0L	RMIDL0	R	—	√	√	0000H
F03A1H		RMIDL0H			—	√		
F03A2H	CAN receive rule entry register 0AH ^{Note 1}	GAFLIDH0L	GAFLIDH0	R/W	—	√	√	0000H
F03A3H		GAFLIDH0H			—	√		
F03A2H	CAN receive buffer register 0AH ^{Note 2}	RMIDH0L	RMIDH0	R	—	√	√	0000H
F03A3H		RMIDH0H			—	√		
F03A4H	CAN receive rule entry register 0BL ^{Note 1}	GAFML0L	GAFML0	R/W	—	√	√	0000H
F03A5H		GAFML0H			—	√		
F03A4H	CAN receive buffer register 0BL ^{Note 2}	RMTS0L	RMTS0	R	—	√	√	0000H
F03A5H		RMTS0H			—	√		
F03A6H	CAN receive rule entry register 0BH ^{Note 1}	GAFLMH0L	GAFLMH0	R/W	—	√	√	0000H
F03A7H		GAFLMH0H			—	√		
F03A6H	CAN receive buffer register 0BH ^{Note 2}	RMPTR0L	RMPTR0	R	—	√	√	0000H
F03A7H		RMPTR0H			—	√		
F03A8H	CAN receive rule entry register 0CL ^{Note 1}	GAFPL0L	GAFPL0	R/W	—	√	√	0000H
F03A9H		GAFPL0H			—	√		
F03A8H	CAN receive buffer register 0CL ^{Note 2}	RMDF00L	RMDF00	R	—	√	√	0000H
F03A9H		RMDF00H			—	√		
F03AAH	CAN receive rule entry register 0CH ^{Note 1}	GAFLPH0L	GAFLPH0	R/W	—	√	√	0000H
F03ABH		GAFLPH0H			—	√		
F03AAH	CAN receive buffer register 0CH ^{Note 2}	RMDF10L	RMDF10	R	—	√	√	0000H
F03ABH		RMDF10H			—	√		
F03ACH	CAN receive rule entry register 1AL ^{Note 1}	GAFLIDL1L	GAFLIDL1	R/W	—	√	√	0000H
F03ADH		GAFLIDL1H			—	√		
F03ACH	CAN receive buffer register 0DL ^{Note 2}	RMDF20L	RMDF20	R	—	√	√	0000H
F03ADH		RMDF20H			—	√		
F03AEH	CAN receive rule entry register 1AH ^{Note 1}	GAFLIDH1L	GAFLIDH1	R/W	—	√	√	0000H
F03AFH		GAFLIDH1H			—	√		
F03AEH	CAN receive buffer register 0DH ^{Note 2}	RMDF30L	RMDF30	R	—	√	√	0000H
F03AFH		RMDF30H			—	√		

Notes 1. These registers are allocated to RAM window 0 for the CAN module (receive rules and CAN RAM test register). When setting these registers, set the RPAGE bit in the GRWCR register to 0.

2. These registers are allocated to RAM window 1 for the CAN module (receive buffer, receive FIFO buffer, transmit/receive FIFO buffer, transmit buffer, and transmit history data). When setting these registers, set the RPAGE bit in the GRWCR register to 1.

Table 18-3. List of CAN Module Registers (5/37)

Address	Special Function Register (SFR) Name	Symbol		R/W	Access Size			After Reset
					1 bit	8 bits	16 bits	
F03B0H	CAN receive rule entry register 1BL ^{Note 1}	GAFLML1L	GAFLML1	R/W	—	√	√	0000H
F03B1H		GAFLML1H			—	√		
F03B0H	CAN receive buffer register 1AL ^{Note 2}	RMIDL1L	RMIDL1	R	—	√	√	0000H
F03B1H		RMIDL1H			—	√		
F03B2H	CAN receive rule entry register 1BH ^{Note 1}	GAFLMH1L	GAFLMH1	R/W	—	√	√	0000H
F03B3H		GAFLMH1H			—	√		
F03B2H	CAN receive buffer register 1AH ^{Note 2}	RMIDH1L	RMIDH1	R	—	√	√	0000H
F03B3H		RMIDH1H			—	√		
F03B4H	CAN receive rule entry register 1CL ^{Note 1}	GAFLPL1L	GAFLPL1	R/W	—	√	√	0000H
F03B5H		GAFLPL1H			—	√		
F03B4H	CAN receive buffer register 1BL ^{Note 2}	RMTS1L	RMTS1	R	—	√	√	0000H
F03B5H		RMTS1H			—	√		
F03B6H	CAN receive rule entry register 1CH ^{Note 1}	GAFLPH1L	GAFLPH1	R/W	—	√	√	0000H
F03B7H		GAFLPH1H			—	√		
F03B6H	CAN receive buffer register 1BH ^{Note 2}	RMPTR1L	RMPTR1	R	—	√	√	0000H
F03B7H		RMPTR1H			—	√		
F03B8H	CAN receive rule entry register 2AL ^{Note 1}	GAFLIDL2L	GAFLIDL2	R/W	—	√	√	0000H
F03B9H		GAFLIDL2H			—	√		
F03B8H	CAN receive buffer register 1CL ^{Note 2}	RMDF01L	RMDF01	R	—	√	√	0000H
F03B9H		RMDF01H			—	√		
F03BAH	CAN receive rule entry register 2AH ^{Note 1}	GAFLIDH2L	GAFLIDH2	R/W	—	√	√	0000H
F03BBH		GAFLIDH2H			—	√		
F03BAH	CAN receive buffer register 1CH ^{Note 2}	RMDF11L	RMDF11	R	—	√	√	0000H
F03BBH		RMDF11H			—	√		
F03BCH	CAN receive rule entry register 2BL ^{Note 1}	GAFLML2L	GAFLML2	R/W	—	√	√	0000H
F03BDH		GAFLML2H			—	√		
F03BCH	CAN receive buffer register 1DL ^{Note 2}	RMDF21L	RMDF21	R	—	√	√	0000H
F03BDH		RMDF21H			—	√		
F03BEH	CAN receive rule entry register 2BH ^{Note 1}	GAFLMH2L	GAFLMH2	R/W	—	√	√	0000H
F03BFH		GAFLMH2H			—	√		
F03BEH	CAN receive buffer register 1DH ^{Note 2}	RMDF31L	RMDF31	R	—	√	√	0000H
F03BFH		RMDF31H			—	√		
F03C0H	CAN receive rule entry register 2CL ^{Note 1}	GAFLPL2L	GAFLPL2	R/W	—	√	√	0000H
F03C1H		GAFLPL2H			—	√		
F03C0H	CAN receive buffer register 2AL ^{Note 2}	RMIDL2L	RMIDL2	R	—	√	√	0000H
F03C1H		RMIDL2H			—	√		
F03C2H	CAN receive rule entry register 2CH ^{Note 1}	GAFLPH2L	GAFLPH2	R/W	—	√	√	0000H
F03C3H		GAFLPH2H			—	√		
F03C2H	CAN receive buffer register 2AH ^{Note 2}	RMIDH2L	RMIDH2	R	—	√	√	0000H
F03C3H		RMIDH2H			—	√		
F03C4H	CAN receive rule entry register 3AL ^{Note 1}	GAFLIDL3L	GAFLIDL3	R/W	—	√	√	0000H
F03C5H		GAFLIDL3H			—	√		
F03C4H	CAN receive buffer register 2BL ^{Note 2}	RMTS2L	RMTS2	R	—	√	√	0000H
F03C5H		RMTS2H			—	√		

Notes 1. These registers are allocated to RAM window 0 for the CAN module (receive rules and CAN RAM test register). When setting these registers, set the RPAGE bit in the GRWCR register to 0.

2. These registers are allocated to RAM window 1 for the CAN module (receive buffer, receive FIFO buffer, transmit/receive FIFO buffer, transmit buffer, and transmit history data). When setting these registers, set the RPAGE bit in the GRWCR register to 1.

Table 18-3. List of CAN Module Registers (6/37)

Address	Special Function Register (SFR) Name	Symbol		R/W	Access Size			After Reset
					1 bit	8 bits	16 bits	
F03C6H	CAN receive rule entry register 3AH ^{Note 1}	GAFLIDH3L	GAFLIDH3	R/W	—	√	√	0000H
F03C7H		GAFLIDH3H			—	√		
F03C6H	CAN receive buffer register 2BH ^{Note 2}	RMPTR2L	RMPTR2	R	—	√	√	0000H
F03C7H		RMPTR2H			—	√		
F03C8H	CAN receive rule entry register 3BL ^{Note 1}	GAFLML3L	GAFLML3	R/W	—	√	√	0000H
F03C9H		GAFLML3H			—	√		
F03C8H	CAN receive buffer register 2CL ^{Note 2}	RMDF02L	RMDF02	R	—	√	√	0000H
F03C9H		RMDF02H			—	√		
F03CAH	CAN receive rule entry register 3BH ^{Note 1}	GAFLMH3L	GAFLMH3	R/W	—	√	√	0000H
F03CBH		GAFLMH3H			—	√		
F03CAH	CAN receive buffer register 2CH ^{Note 2}	RMDF12L	RMDF12	R	—	√	√	0000H
F03CBH		RMDF12H			—	√		
F03CCH	CAN receive rule entry register 3CL ^{Note 1}	GAFLPL3L	GAFLPL3	R/W	—	√	√	0000H
F03CDH		GAFLPL3H			—	√		
F03CCH	CAN receive buffer register 2DL ^{Note 2}	RMDF22L	RMDF22	R	—	√	√	0000H
F03CDH		RMDF22H			—	√		
F03CEH	CAN receive rule entry register 3CH ^{Note 1}	GAFLPH3L	GAFLPH3	R/W	—	√	√	0000H
F03CFH		GAFLPH3H			—	√		
F03CEH	CAN receive buffer register 2DH ^{Note 2}	RMDF32L	RMDF32	R	—	√	√	0000H
F03CFH		RMDF32H			—	√		
F03D0H	CAN receive rule entry register 4AL ^{Note 1}	GAFLIDL4L	GAFLIDL4	R/W	—	√	√	0000H
F03D1H		GAFLIDL4H			—	√		
F03D0H	CAN receive buffer register 3AL ^{Note 2}	RMIDL3L	RMIDL3	R	—	√	√	0000H
F03D1H		RMIDL3H			—	√		
F03D2H	CAN receive rule entry register 4AH ^{Note 1}	GAFLIDH4L	GAFLIDH4	R/W	—	√	√	0000H
F03D3H		GAFLIDH4H			—	√		
F03D2H	CAN receive buffer register 3AH ^{Note 2}	RMIDH3L	RMIDH3	R	—	√	√	0000H
F03D3H		RMIDH3H			—	√		
F03D4H	CAN receive rule entry register 4BL ^{Note 1}	GAFLML4L	GAFLML4	R/W	—	√	√	0000H
F03D5H		GAFLML4H			—	√		
F03D4H	CAN receive buffer register 3BL ^{Note 2}	RMTS3L	RMTS3	R	—	√	√	0000H
F03D5H		RMTS3H			—	√		
F03D6H	CAN receive rule entry register 4BH ^{Note 1}	GAFLMH4L	GAFLMH4	R/W	—	√	√	0000H
F03D7H		GAFLMH4H			—	√		
F03D6H	CAN receive buffer register 3BH ^{Note 2}	RMPTR3L	RMPTR3	R	—	√	√	0000H
F03D7H		RMPTR3H			—	√		
F03D8H	CAN receive rule entry register 4CL ^{Note 1}	GAFLPL4L	GAFLPL4	R/W	—	√	√	0000H
F03D9H		GAFLPL4H			—	√		
F03D8H	CAN receive buffer register 3CL ^{Note 2}	RMDF03L	RMDF03	R	—	√	√	0000H
F03D9H		RMDF03H			—	√		

Notes 1. These registers are allocated to RAM window 0 for the CAN module (receive rules and CAN RAM test register). When setting these registers, set the RPAGE bit in the GRWCR register to 0.

2. These registers are allocated to RAM window 1 for the CAN module (receive buffer, receive FIFO buffer, transmit/receive FIFO buffer, transmit buffer, and transmit history data). When setting these registers, set the RPAGE bit in the GRWCR register to 1.

Table 18-3. List of CAN Module Registers (7/37)

Address	Special Function Register (SFR) Name	Symbol		R/W	Access Size			After Reset
					1 bit	8 bits	16 bits	
F03DAH	CAN receive rule entry register 4CH ^{Note 1}	GAFLPH4L	GAFLPH4	R/W	—	√	√	0000H
F03DBH		GAFLPH4H			—	√		
F03DAH	CAN receive buffer register 3CH ^{Note 2}	RMDF13L	RMDF13	R	—	√	√	0000H
F03DBH		RMDF13H			—	√		
F03DCH	CAN receive rule entry register 5AL ^{Note 1}	GAFLIDL5L	GAFLIDL5	R/W	—	√	√	0000H
F03DDH		GAFLIDL5H			—	√		
F03DCH	CAN receive buffer register 3DL ^{Note 2}	RMDF23L	RMDF23	R	—	√	√	0000H
F03DDH		RMDF23H			—	√		
F03DEH	CAN receive rule entry register 5AH ^{Note 1}	GAFLIDH5L	GAFLIDH5	R/W	—	√	√	0000H
F03DFH		GAFLIDH5H			—	√		
F03DEH	CAN receive buffer register 3DH ^{Note 2}	RMDF33L	RMDF33	R	—	√	√	0000H
F03DFH		RMDF33H			—	√		
F03E0H	CAN receive rule entry register 5BL ^{Note 1}	GAFLML5L	GAFLML5	R/W	—	√	√	0000H
F03E1H		GAFLML5H			—	√		
F03E0H	CAN receive buffer register 4AL ^{Note 2}	RMIDL4L	RMIDL4	R	—	√	√	0000H
F03E1H		RMIDL4H			—	√		
F03E2H	CAN receive rule entry register 5BH ^{Note 1}	GAFLMH5L	GAFLMH5	R/W	—	√	√	0000H
F03E3H		GAFLMH5H			—	√		
F03E2H	CAN receive buffer register 4AH ^{Note 2}	RMIDH4L	RMIDH4	R	—	√	√	0000H
F03E3H		RMIDH4H			—	√		
F03E4H	CAN receive rule entry register 5CL ^{Note 1}	GAFLPL5L	GAFLPL5	R/W	—	√	√	0000H
F03E5H		GAFLPL5H			—	√		
F03E4H	CAN receive buffer register 4BL ^{Note 2}	RMTS4L	RMTS4	R	—	√	√	0000H
F03E5H		RMTS4H			—	√		
F03E6H	CAN receive rule entry register 5CH ^{Note 1}	GAFLPH5L	GAFLPH5	R/W	—	√	√	0000H
F03E7H		GAFLPH5H			—	√		
F03E6H	CAN receive buffer register 4BH ^{Note 2}	RMPTR4L	RMPTR4	R	—	√	√	0000H
F03E7H		RMPTR4H			—	√		
F03E8H	CAN receive rule entry register 6AL ^{Note 1}	GAFLIDL6L	GAFLIDL6	R/W	—	√	√	0000H
F03E9H		GAFLIDL6H			—	√		
F03E8H	CAN receive buffer register 4CL ^{Note 2}	RMDF04L	RMDF04	R	—	√	√	0000H
F03E9H		RMDF04H			—	√		
F03EAH	CAN receive rule entry register 6AH ^{Note 1}	GAFLIDH6L	GAFLIDH6	R/W	—	√	√	0000H
F03EBH		GAFLIDH6H			—	√		
F03EAH	CAN receive buffer register 4CH ^{Note 2}	RMDF14L	RMDF14	R	—	√	√	0000H
F03EBH		RMDF14H			—	√		
F03ECH	CAN receive rule entry register 6BL ^{Note 1}	GAFLML6L	GAFLML6	R/W	—	√	√	0000H
F03EDH		GAFLML6H			—	√		
F03ECH	CAN receive buffer register 4DL ^{Note 2}	RMDF24L	RMDF24	R	—	√	√	0000H
F03EDH		RMDF24H			—	√		
F03EEH	CAN receive rule entry register 6BH ^{Note 1}	GAFLMH6L	GAFLMH6	R/W	—	√	√	0000H
F03EFH		GAFLMH6H			—	√		
F03EEH	CAN receive buffer register 4DH ^{Note 2}	RMDF34L	RMDF34	R	—	√	√	0000H
F03EFH		RMDF34H			—	√		

Notes 1. These registers are allocated to RAM window 0 for the CAN module (receive rules and CAN RAM test register). When setting these registers, set the RPAGE bit in the GRWCR register to 0.

2. These registers are allocated to RAM window 1 for the CAN module (receive buffer, receive FIFO buffer, transmit/receive FIFO buffer, transmit buffer, and transmit history data). When setting these registers, set the RPAGE bit in the GRWCR register to 1.

Table 18-3. List of CAN Module Registers (8/37)

Address	Special Function Register (SFR) Name	Symbol		R/W	Access Size			After Reset
					1 bit	8 bits	16 bits	
F03F0H	CAN receive rule entry register 6CL ^{Note 1}	GAFPL6L	GAFPL6	R/W	—	√	√	0000H
F03F1H		GAFPL6H			—	√		
F03F0H	CAN receive buffer register 5AL ^{Note 2}	RMIDL5L	RMIDL5	R	—	√	√	0000H
F03F1H		RMIDL5H			—	√		
F03F2H	CAN receive rule entry register 6CH ^{Note 1}	GAFPL6L	GAFPL6	R/W	—	√	√	0000H
F03F3H		GAFPL6H			—	√		
F03F2H	CAN receive buffer register 5AH ^{Note 2}	RMIDH5L	RMIDH5	R	—	√	√	0000H
F03F3H		RMIDH5H			—	√		
F03F4H	CAN receive rule entry register 7AL ^{Note 1}	GAFIDL7L	GAFIDL7	R/W	—	√	√	0000H
F03F5H		GAFIDL7H			—	√		
F03F4H	CAN receive buffer register 5BL ^{Note 2}	RMTS5L	RMTS5	R	—	√	√	0000H
F03F5H		RMTS5H			—	√		
F03F6H	CAN receive rule entry register 7AH ^{Note 1}	GAFLIDH7L	GAFLIDH7	R/W	—	√	√	0000H
F03F7H		GAFLIDH7H			—	√		
F03F6H	CAN receive buffer register 5BH ^{Note 2}	RMPTR5L	RMPTR5	R	—	√	√	0000H
F03F7H		RMPTR5H			—	√		
F03F8H	CAN receive rule entry register 7BL ^{Note 1}	GAFML7L	GAFML7	R/W	—	√	√	0000H
F03F9H		GAFML7H			—	√		
F03F8H	CAN receive buffer register 5CL ^{Note 2}	RMDF05L	RMDF05	R	—	√	√	0000H
F03F9H		RMDF05H			—	√		
F03FAH	CAN receive rule entry register 7BH ^{Note 1}	GAFMLH7L	GAFMLH7	R/W	—	√	√	0000H
F03FBH		GAFMLH7H			—	√		
F03FAH	CAN receive buffer register 5CH ^{Note 2}	RMDF15L	RMDF15	R	—	√	√	0000H
F03FBH		RMDF15H			—	√		
F03FCH	CAN receive rule entry register 7CL ^{Note 1}	GAFPL7L	GAFPL7	R/W	—	√	√	0000H
F03FDH		GAFPL7H			—	√		
F03FCH	CAN receive buffer register 5DL ^{Note 2}	RMDF25L	RMDF25	R	—	√	√	0000H
F03FDH		RMDF25H			—	√		
F03FEH	CAN receive rule entry register 7CH ^{Note 1}	GAFPLH7L	GAFPLH7	R/W	—	√	√	0000H
F03FFH		GAFPLH7H			—	√		
F03FEH	CAN receive buffer register 5DH ^{Note 2}	RMDF35L	RMDF35	R	—	√	√	0000H
F03FFH		RMDF35H			—	√		
F0400H	CAN receive rule entry register 8AL ^{Note 1}	GAFIDL8L	GAFIDL8	R/W	—	√	√	0000H
F0401H		GAFIDL8H			—	√		
F0400H	CAN receive buffer register 6AL ^{Note 2}	RMIDL6L	RMIDL6	R	—	√	√	0000H
F0401H		RMIDL6H			—	√		
F0402H	CAN receive rule entry register 8AH ^{Note 1}	GAFLIDH8L	GAFLIDH8	R/W	—	√	√	0000H
F0403H		GAFLIDH8H			—	√		
F0402H	CAN receive buffer register 6AH ^{Note 2}	RMIDH6L	RMIDH6	R	—	√	√	0000H
F0403H		RMIDH6H			—	√		

Notes 1. These registers are allocated to RAM window 0 for the CAN module (receive rules and CAN RAM test register). When setting these registers, set the RPAGE bit in the GRWCR register to 0.

2. These registers are allocated to RAM window 1 for the CAN module (receive buffer, receive FIFO buffer, transmit/receive FIFO buffer, transmit buffer, and transmit history data). When setting these registers, set the RPAGE bit in the GRWCR register to 1.

Table 18-3. List of CAN Module Registers (9/37)

Address	Special Function Register (SFR) Name	Symbol		R/W	Access Size			After Reset
					1 bit	8 bits	16 bits	
F0404H	CAN receive rule entry register 8BL ^{Note 1}	GAFLML8L	GAFLML8	R/W	—	√	√	0000H
F0405H		GAFLML8H			—	√		
F0404H	CAN receive buffer register 6BL ^{Note 2}	RMTS6L	RMTS6	R	—	√	√	0000H
F0405H		RMTS6H			—	√		
F0406H	CAN receive rule entry register 8BH ^{Note 1}	GAFLMH8L	GAFLMH8	R/W	—	√	√	0000H
F0407H		GAFLMH8H			—	√		
F0406H	CAN receive buffer register 6BH ^{Note 2}	RMPTR6L	RMPTR6	R	—	√	√	0000H
F0407H		RMPTR6H			—	√		
F0408H	CAN receive rule entry register 8CL ^{Note 1}	GAFLPL8L	GAFLPL8	R/W	—	√	√	0000H
F0409H		GAFLPL8H			—	√		
F0408H	CAN receive buffer register 6CL ^{Note 2}	RMDF06L	RMDF06	R	—	√	√	0000H
F0409H		RMDF06H			—	√		
F040AH	CAN receive rule entry register 8CH ^{Note 1}	GAFLPH8L	GAFLPH8	R/W	—	√	√	0000H
F040BH		GAFLPH8H			—	√		
F040AH	CAN receive buffer register 6CH ^{Note 2}	RMDF16L	RMDF16	R	—	√	√	0000H
F040BH		RMDF16H			—	√		
F040CH	CAN receive rule entry register 9AL ^{Note 1}	GAFLIDL9L	GAFLIDL9	R/W	—	√	√	0000H
F040DH		GAFLIDL9H			—	√		
F040CH	CAN receive buffer register 6DL ^{Note 2}	RMDF26L	RMDF26	R	—	√	√	0000H
F040DH		RMDF26H			—	√		
F040EH	CAN receive rule entry register 9AH ^{Note 1}	GAFLIDH9L	GAFLIDH9	R/W	—	√	√	0000H
F040FH		GAFLIDH9H			—	√		
F040EH	CAN receive buffer register 6DH ^{Note 2}	RMDF36L	RMDF36	R	—	√	√	0000H
F040FH		RMDF36H			—	√		
F0410H	CAN receive rule entry register 9BL ^{Note 1}	GAFLML9L	GAFLML9	R/W	—	√	√	0000H
F0411H		GAFLML9H			—	√		
F0410H	CAN receive buffer register 7AL ^{Note 2}	RMIDL7L	RMIDL7	R	—	√	√	0000H
F0411H		RMIDL7H			—	√		
F0412H	CAN receive rule entry register 9BH ^{Note 1}	GAFLMH9L	GAFLMH9	R/W	—	√	√	0000H
F0413H		GAFLMH9H			—	√		
F0412H	CAN receive buffer register 7AH ^{Note 2}	RMIDH7L	RMIDH7	R	—	√	√	0000H
F0413H		RMIDH7H			—	√		
F0414H	CAN receive rule entry register 9CL ^{Note 1}	GAFLPL9L	GAFLPL9	R/W	—	√	√	0000H
F0415H		GAFLPL9H			—	√		
F0414H	CAN receive buffer register 7BL ^{Note 2}	RMTS7L	RMTS7	R	—	√	√	0000H
F0415H		RMTS7H			—	√		
F0416H	CAN receive rule entry register 9CH ^{Note 1}	GAFLPH9L	GAFLPH9	R/W	—	√	√	0000H
F0417H		GAFLPH9H			—	√		
F0416H	CAN receive buffer register 7BH ^{Note 2}	RMPTR7L	RMPTR7	R	—	√	√	0000H
F0417H		RMPTR7H			—	√		
F0418H	CAN receive rule entry register 10AL ^{Note 1}	GAFLIDL10L	GAFLIDL10	R/W	—	√	√	0000H
F0419H		GAFLIDL10H			—	√		

Notes 1. These registers are allocated to RAM window 0 for the CAN module (receive rules and CAN RAM test register). When setting these registers, set the RPAGE bit in the GRWCR register to 0.

2. These registers are allocated to RAM window 1 for the CAN module (receive buffer, receive FIFO buffer, transmit/receive FIFO buffer, transmit buffer, and transmit history data). When setting these registers, set the RPAGE bit in the GRWCR register to 1.

Table 18-3. List of CAN Module Registers (10/37)

Address	Special Function Register (SFR) Name	Symbol		R/W	Access Size			After Reset
					1 bit	8 bits	16 bits	
F0418H	CAN receive buffer register 7CL ^{Note 2}	RMDF07L	RMDF07	R	—	√	√	0000H
F0419H		RMDF07H			—	√		
F041AH	CAN receive rule entry register 10AH ^{Note 1}	GAFLIDH10L	GAFLIDH10	R/W	—	√	√	0000H
F041BH		GAFLIDH10H			—	√		
F041AH	CAN receive buffer register 7CH ^{Note 2}	RMDF17L	RMDF17	R	—	√	√	0000H
F041BH		RMDF17H			—	√		
F041CH	CAN receive rule entry register 10BL ^{Note 1}	GAFLML10L	GAFLML10	R/W	—	√	√	0000H
F041DH		GAFLML10H			—	√		
F041CH	CAN receive buffer register 7DL ^{Note 2}	RMDF27L	RMDF27	R	—	√	√	0000H
F041DH		RMDF27H			—	√		
F041EH	CAN receive rule entry register 10BH ^{Note 1}	GAFLMH10L	GAFLMH10	R/W	—	√	√	0000H
F041FH		GAFLMH10H			—	√		
F041EH	CAN receive buffer register 7DH ^{Note 2}	RMDF37L	RMDF37	R	—	√	√	0000H
F041FH		RMDF37H			—	√		
F0420H	CAN receive rule entry register 10CL ^{Note 1}	GAFLPL10L	GAFLPL10	R/W	—	√	√	0000H
F0421H		GAFLPL10H			—	√		
F0420H	CAN receive buffer register 8AL ^{Note 2}	RMIDL8L	RMIDL8	R	—	√	√	0000H
F0421H		RMIDL8H			—	√		
F0422H	CAN receive rule entry register 10CH ^{Note 1}	GAFLPH10L	GAFLPH10	R/W	—	√	√	0000H
F0423H		GAFLPH10H			—	√		
F0422H	CAN receive buffer register 8AH ^{Note 2}	RMIDH8L	RMIDH8	R	—	√	√	0000H
F0423H		RMIDH8H			—	√		
F0424H	CAN receive rule entry register 11AL ^{Note 1}	GAFLIDL11L	GAFLIDL11	R/W	—	√	√	0000H
F0425H		GAFLIDL11H			—	√		
F0424H	CAN receive buffer register 8BL ^{Note 2}	RMTS8L	RMTS8	R	—	√	√	0000H
F0425H		RMTS8H			—	√		
F0426H	CAN receive rule entry register 11AH ^{Note 1}	GAFLIDH11L	GAFLIDH11	R/W	—	√	√	0000H
F0427H		GAFLIDH11H			—	√		
F0426H	CAN receive buffer register 8BH ^{Note 2}	RMPTR8L	RMPTR8	R	—	√	√	0000H
F0427H		RMPTR8H			—	√		
F0428H	CAN receive rule entry register 11BL ^{Note 1}	GAFLML11L	GAFLML11	R/W	—	√	√	0000H
F0429H		GAFLML11H			—	√		
F0428H	CAN receive buffer register 8CL ^{Note 2}	RMDF08L	RMDF08	R	—	√	√	0000H
F0429H		RMDF08H			—	√		
F042AH	CAN receive rule entry register 11BH ^{Note 1}	GAFLMH11L	GAFLMH11	R/W	—	√	√	0000H
F042BH		GAFLMH11H			—	√		
F042AH	CAN receive buffer register 8CH ^{Note 2}	RMDF18L	RMDF18	R	—	√	√	0000H
F042BH		RMDF18H			—	√		
F042CH	CAN receive rule entry register 11CL ^{Note 1}	GAFLPL11L	GAFLPL11	R/W	—	√	√	0000H
F042DH		GAFLPL11H			—	√		
F042CH	CAN receive buffer register 8DL ^{Note 2}	RMDF28L	RMDF28	R	—	√	√	0000H
F042DH		RMDF28H			—	√		

Notes 1. These registers are allocated to RAM window 0 for the CAN module (receive rules and CAN RAM test register). When setting these registers, set the RPAGE bit in the GRWCR register to 0.

2. These registers are allocated to RAM window 1 for the CAN module (receive buffer, receive FIFO buffer, transmit/receive FIFO buffer, transmit buffer, and transmit history data). When setting these registers, set the RPAGE bit in the GRWCR register to 1.

Table 18-3. List of CAN Module Registers (11/37)

Address	Special Function Register (SFR) Name	Symbol		R/W	Access Size			After Reset
					1 bit	8 bits	16 bits	
F042EH	CAN receive rule entry register 11CH ^{Note 1}	GAFLPH11L	GAFLPH11	R/W	—	√	√	0000H
F042FH		GAFLPH11H			—	√		
F042EH	CAN receive buffer register 8DH ^{Note 2}	RMDF38L	RMDF38	R	—	√	√	0000H
F042FH		RMDF38H			—	√		
F0430H	CAN receive rule entry register 12AL ^{Note 1}	GAFLIDL12L	GAFLIDL12	R/W	—	√	√	0000H
F0431H		GAFLIDL12H			—	√		
F0430H	CAN receive buffer register 9AL ^{Note 2}	RMIDL9L	RMIDL9	R	—	√	√	0000H
F0431H		RMIDL9H			—	√		
F0432H	CAN receive rule entry register 12AH ^{Note 1}	GAFLIDH12L	GAFLIDH12	R/W	—	√	√	0000H
F0433H		GAFLIDH12H			—	√		
F0432H	CAN receive buffer register 9AH ^{Note 2}	RMIDH9L	RMIDH9	R	—	√	√	0000H
F0433H		RMIDH9H			—	√		
F0434H	CAN receive rule entry register 12BL ^{Note 1}	GAFLML12L	GAFLML12	R/W	—	√	√	0000H
F0435H		GAFLML12H			—	√		
F0434H	CAN receive buffer register 9BL ^{Note 2}	RMTS9L	RMTS9	R	—	√	√	0000H
F0435H		RMTS9H			—	√		
F0436H	CAN receive rule entry register 12BH ^{Note 1}	GAFLMH12L	GAFLMH12	R/W	—	√	√	0000H
F0437H		GAFLMH12H			—	√		
F0436H	CAN receive buffer register 9BH ^{Note 2}	RMPTR9L	RMPTR9	R	—	√	√	0000H
F0437H		RMPTR9H			—	√		
F0438H	CAN receive rule entry register 12CL ^{Note 1}	GAFLPL12L	GAFLPL12	R/W	—	√	√	0000H
F0439H		GAFLPL12H			—	√		
F0438H	CAN receive buffer register 9CL ^{Note 2}	RMDF09L	RMDF09	R	—	√	√	0000H
F0439H		RMDF09H			—	√		
F043AH	CAN receive rule entry register 12CH ^{Note 1}	GAFLPH12L	GAFLPH12	R/W	—	√	√	0000H
F043BH		GAFLPH12H			—	√		
F043AH	CAN receive buffer register 9CH ^{Note 2}	RMDF19L	RMDF19	R	—	√	√	0000H
F043BH		RMDF19H			—	√		
F043CH	CAN receive rule entry register 13AL ^{Note 1}	GAFLIDL13L	GAFLIDL13	R/W	—	√	√	0000H
F043DH		GAFLIDL13H			—	√		
F043CH	CAN receive buffer register 9DL ^{Note 2}	RMDF29L	RMDF29	R	—	√	√	0000H
F043DH		RMDF29H			—	√		
F043EH	CAN receive rule entry register 13AH ^{Note 1}	GAFLIDH13L	GAFLIDH13	R/W	—	√	√	0000H
F043FH		GAFLIDH13H			—	√		
F043EH	CAN receive buffer register 9DH ^{Note 2}	RMDF39L	RMDF39	R	—	√	√	0000H
F043FH		RMDF39H			—	√		
F0440H	CAN receive rule entry register 13BL ^{Note 1}	GAFLML13L	GAFLML13	R/W	—	√	√	0000H
F0441H		GAFLML13H			—	√		
F0440H	CAN receive buffer register 10AL ^{Note 2}	RMIDL10L	RMIDL10	R	—	√	√	0000H
F0441H		RMIDL10H			—	√		
F0442H	CAN receive rule entry register 13BH ^{Note 1}	GAFLMH13L	GAFLMH13	R/W	—	√	√	0000H
F0443H		GAFLMH13H			—	√		
F0442H	CAN receive buffer register 10AH ^{Note 2}	RMIDH10L	RMIDH10	R	—	√	√	0000H
F0443H		RMIDH10H			—	√		

Notes 1. These registers are allocated to RAM window 0 for the CAN module (receive rules and CAN RAM test register). When setting these registers, set the RPAGE bit in the GRWCR register to 0.

2. These registers are allocated to RAM window 1 for the CAN module (receive buffer, receive FIFO buffer, transmit/receive FIFO buffer, transmit buffer, and transmit history data). When setting these registers, set the RPAGE bit in the GRWCR register to 1.

Table 18-3. List of CAN Module Registers (12/37)

Address	Special Function Register (SFR) Name	Symbol		R/W	Access Size			After Reset
					1 bit	8 bits	16 bits	
F0444H	CAN receive rule entry register 13CL ^{Note 1}	GAFPLP13L	GAFPLP13	R/W	—	√	√	0000H
F0445H		GAFPLP13H			—	√		
F0444H	CAN receive buffer register 10BL ^{Note 2}	RMTS10L	RMTS10	R	—	√	√	0000H
F0445H		RMTS10H			—	√		
F0446H	CAN receive rule entry register 13CH ^{Note 1}	GAFLPH13L	GAFLPH13	R/W	—	√	√	0000H
F0447H		GAFLPH13H			—	√		
F0446H	CAN receive buffer register 10BH ^{Note 2}	RMPTR10L	RMPTR10	R	—	√	√	0000H
F0447H		RMPTR10H			—	√		
F0448H	CAN receive rule entry register 14AL ^{Note 1}	GAFIDL14L	GAFIDL14	R/W	—	√	√	0000H
F0449H		GAFIDL14H			—	√		
F0448H	CAN receive buffer register 10CL ^{Note 2}	RMDF010L	RMDF010	R	—	√	√	0000H
F0449H		RMDF010H			—	√		
F044AH	CAN receive rule entry register 14AH ^{Note 1}	GAFLIDH14L	GAFLIDH14	R/W	—	√	√	0000H
F044BH		GAFLIDH14H			—	√		
F044AH	CAN receive buffer register 10CH ^{Note 2}	RMDF110L	RMDF110	R	—	√	√	0000H
F044BH		RMDF110H			—	√		
F044CH	CAN receive rule entry register 14BL ^{Note 1}	GAFMLM14L	GAFMLM14	R/W	—	√	√	0000H
F044DH		GAFMLM14H			—	√		
F044CH	CAN receive buffer register 10DL ^{Note 2}	RMDF210L	RMDF210	R	—	√	√	0000H
F044DH		RMDF210H			—	√		
F044EH	CAN receive rule entry register 14BH ^{Note 1}	GAFLMH14L	GAFLMH14	R/W	—	√	√	0000H
F044FH		GAFLMH14H			—	√		
F044EH	CAN receive buffer register 10DH ^{Note 2}	RMDF310L	RMDF310	R	—	√	√	0000H
F044FH		RMDF310H			—	√		
F0450H	CAN receive rule entry register 14CL ^{Note 1}	GAFPLP14L	GAFPLP14	R/W	—	√	√	0000H
F0451H		GAFPLP14H			—	√		
F0450H	CAN receive buffer register 11AL ^{Note 2}	RMIDL11L	RMIDL11	R	—	√	√	0000H
F0451H		RMIDL11H			—	√		
F0452H	CAN receive rule entry register 14CH ^{Note 1}	GAFLPH14L	GAFLPH14	R/W	—	√	√	0000H
F0453H		GAFLPH14H			—	√		
F0452H	CAN receive buffer register 11AH ^{Note 2}	RMIDH11L	RMIDH11	R	—	√	√	0000H
F0453H		RMIDH11H			—	√		
F0454H	CAN receive rule entry register 15AL ^{Note 1}	GAFIDL15L	GAFIDL15	R/W	—	√	√	0000H
F0455H		GAFIDL15H			—	√		
F0454H	CAN receive buffer register 11BL ^{Note 2}	RMTS11L	RMTS11	R	—	√	√	0000H
F0455H		RMTS11H			—	√		
F0456H	CAN receive rule entry register 15AH ^{Note 1}	GAFLIDH15L	GAFLIDH15	R/W	—	√	√	0000H
F0457H		GAFLIDH15H			—	√		
F0456H	CAN receive buffer register 11BH ^{Note 2}	RMPTR11L	RMPTR11	R	—	√	√	0000H
F0457H		RMPTR11H			—	√		

Notes 1. These registers are allocated to RAM window 0 for the CAN module (receive rules and CAN RAM test register). When setting these registers, set the RPAGE bit in the GRWCR register to 0.

2. These registers are allocated to RAM window 1 for the CAN module (receive buffer, receive FIFO buffer, transmit/receive FIFO buffer, transmit buffer, and transmit history data). When setting these registers, set the RPAGE bit in the GRWCR register to 1.

Table 18-3. List of CAN Module Registers (13/37)

Address	Special Function Register (SFR) Name	Symbol		R/W	Access Size			After Reset
					1 bit	8 bits	16 bits	
F0458H	CAN receive rule entry register 15BL ^{Note 1}	GAFLML15L	GAFLML15	R/W	—	√	√	0000H
F0459H		GAFLML15H			—	√		
F0458H	CAN receive buffer register 11CL ^{Note 2}	RMDF011L	RMDF011	R	—	√	√	0000H
F0459H		RMDF011H			—	√		
F045AH	CAN receive rule entry register 15BH ^{Note 1}	GAFLMH15L	GAFLMH15	R/W	—	√	√	0000H
F045BH		GAFLMH15H			—	√		
F045AH	CAN receive buffer register 11CH ^{Note 2}	RMDF111L	RMDF111	R	—	√	√	0000H
F045BH		RMDF111H			—	√		
F045CH	CAN receive rule entry register 15CL ^{Note 1}	GAFLPL15L	GAFLPL15	R/W	—	√	√	0000H
F045DH		GAFLPL15H			—	√		
F045CH	CAN receive buffer register 11DL ^{Note 2}	RMDF211L	RMDF211	R	—	√	√	0000H
F045DH		RMDF211H			—	√		
F045EH	CAN receive rule entry register 15CH ^{Note 1}	GAFLPH15L	GAFLPH15	R/W	—	√	√	0000H
F045FH		GAFLPH15H			—	√		
F045EH	CAN receive buffer register 11DH ^{Note 2}	RMDF311L	RMDF311	R	—	√	√	0000H
F045FH		RMDF311H			—	√		
F0460H	CAN receive rule entry register 16AL ^{Note 1}	GAFLIDL16L	GAFLIDL16	R/W	—	√	√	0000H
F0461H		GAFLIDL16H			—	√		
F0460H	CAN receive buffer register 12AL ^{Note 2}	RMIDL12L	RMIDL12	R	—	√	√	0000H
F0461H		RMIDL12H			—	√		
F0462H	CAN receive rule entry register 16AH ^{Note 1}	GAFLIDH16L	GAFLIDH16	R/W	—	√	√	0000H
F0463H		GAFLIDH16H			—	√		
F0462H	CAN receive buffer register 12AH ^{Note 2}	RMIDH12L	RMIDH12	R	—	√	√	0000H
F0463H		RMIDH12H			—	√		
F0464H	CAN receive rule entry register 16BL ^{Note 1}	GAFLML16L	GAFLML16	R/W	—	√	√	0000H
F0465H		GAFLML16H			—	√		
F0464H	CAN receive buffer register 12BL ^{Note 2}	RMTS12L	RMTS12	R	—	√	√	0000H
F0465H		RMTS12H			—	√		
F0466H	CAN receive rule entry register 16BH ^{Note 1}	GAFLMH16L	GAFLMH16	R/W	—	√	√	0000H
F0467H		GAFLMH16H			—	√		
F0466H	CAN receive buffer register 12BH ^{Note 2}	RMPTR12L	RMPTR12	R	—	√	√	0000H
F0467H		RMPTR12H			—	√		
F0468H	CAN receive rule entry register 16CL ^{Note 1}	GAFLPL16L	GAFLPL16	R/W	—	√	√	0000H
F0469H		GAFLPL16H			—	√		
F0468H	CAN receive buffer register 12CL ^{Note 2}	RMDF012L	RMDF012	R	—	√	√	0000H
F0469H		RMDF012H			—	√		
F046AH	CAN receive rule entry register 16CH ^{Note 1}	GAFLPH16L	GAFLPH16	R/W	—	√	√	0000H
F046BH		GAFLPH16H			—	√		
F046AH	CAN receive buffer register 12CH ^{Note 2}	RMDF112L	RMDF112	R	—	√	√	0000H
F046BH		RMDF112H			—	√		
F046CH	CAN receive rule entry register 17AL ^{Note 1}	GAFLIDL17L	GAFLIDL17	R/W	—	√	√	0000H
F046DH		GAFLIDL17H			—	√		
F046CH	CAN receive buffer register 12DL ^{Note 2}	RMDF212L	RMDF212	R	—	√	√	0000H
F046DH		RMDF212H			—	√		

Notes 1. These registers are allocated to RAM window 0 for the CAN module (receive rules and CAN RAM test register). When setting these registers, set the RPAGE bit in the GRWCR register to 0.

2. These registers are allocated to RAM window 1 for the CAN module (receive buffer, receive FIFO buffer, transmit/receive FIFO buffer, transmit buffer, and transmit history data). When setting these registers, set the RPAGE bit in the GRWCR register to 1.

Table 18-3. List of CAN Module Registers (14/37)

Address	Special Function Register (SFR) Name	Symbol		R/W	Access Size			After Reset
					1 bit	8 bits	16 bits	
F046EH	CAN receive rule entry register 17AH ^{Note 1}	GAFLIDH17L	GAFLIDH17	R/W	—	√	√	0000H
F046FH		GAFLIDH17H			—	√		
F046EH	CAN receive buffer register 12DH ^{Note 2}	RMDF312L	RMDF312	R	—	√	√	0000H
F046FH		RMDF312H			—	√		
F0470H	CAN receive rule entry register 17BL ^{Note 1}	GAFLML17L	GAFLML17	R/W	—	√	√	0000H
F0471H		GAFLML17H			—	√		
F0470H	CAN receive buffer register 13AL ^{Note 2}	RMIDL13L	RMIDL13	R	—	√	√	0000H
F0471H		RMIDL13H			—	√		
F0472H	CAN receive rule entry register 17BH ^{Note 1}	GAFLMH17L	GAFLMH17	R/W	—	√	√	0000H
F0473H		GAFLMH17H			—	√		
F0472H	CAN receive buffer register 13AH ^{Note 2}	RMIDH13L	RMIDH13	R	—	√	√	0000H
F0473H		RMIDH13H			—	√		
F0474H	CAN receive rule entry register 17CL ^{Note 1}	GAFLPL17L	GAFLPL17	R/W	—	√	√	0000H
F0475H		GAFLPL17H			—	√		
F0474H	CAN receive buffer register 13BL ^{Note 2}	RMTS13L	RMTS13	R	—	√	√	0000H
F0475H		RMTS13H			—	√		
F0476H	CAN receive rule entry register 17CH ^{Note 1}	GAFLPH17L	GAFLPH17	R/W	—	√	√	0000H
F0477H		GAFLPH17H			—	√		
F0476H	CAN receive buffer register 13BH ^{Note 2}	RMPTR13L	RMPTR13	R	—	√	√	0000H
F0477H		RMPTR13H			—	√		
F0478H	CAN receive rule entry register 18AL ^{Note 1}	GAFLIDL18L	GAFLIDL18	R/W	—	√	√	0000H
F0479H		GAFLIDL18H			—	√		
F0478H	CAN receive buffer register 13CL ^{Note 2}	RMDF013L	RMDF013	R	—	√	√	0000H
F0479H		RMDF013H			—	√		
F047AH	CAN receive rule entry register 18AH ^{Note 1}	GAFLIDH18L	GAFLIDH18	R/W	—	√	√	0000H
F047BH		GAFLIDH18H			—	√		
F047AH	CAN receive buffer register 13CH ^{Note 2}	RMDF113L	RMDF113	R	—	√	√	0000H
F047BH		RMDF113H			—	√		
F047CH	CAN receive rule entry register 18BL ^{Note 1}	GAFLML18L	GAFLML18	R/W	—	√	√	0000H
F047DH		GAFLML18H			—	√		
F047CH	CAN receive buffer register 13DL ^{Note 2}	RMDF213L	RMDF213	R	—	√	√	0000H
F047DH		RMDF213H			—	√		
F047EH	CAN receive rule entry register 18BH ^{Note 1}	GAFLMH18L	GAFLMH18	R/W	—	√	√	0000H
F047FH		GAFLMH18H			—	√		
F047EH	CAN receive buffer register 13DH ^{Note 2}	RMDF313L	RMDF313	R	—	√	√	0000H
F047FH		RMDF313H			—	√		
F0480H	CAN receive rule entry register 18CL ^{Note 1}	GAFLPL18L	GAFLPL18	R/W	—	√	√	0000H
F0481H		GAFLPL18H			—	√		
F0480H	CAN receive buffer register 14AL ^{Note 2}	RMIDL14L	RMIDL14	R	—	√	√	0000H
F0481H		RMIDL14H			—	√		
F0482H	CAN receive rule entry register 18CH ^{Note 1}	GAFLPH18L	GAFLPH18	R/W	—	√	√	0000H
F0483H		GAFLPH18H			—	√		
F0482H	CAN receive buffer register 14AH ^{Note 2}	RMIDH14L	RMIDH14	R	—	√	√	0000H
F0483H		RMIDH14H			—	√		

Notes 1. These registers are allocated to RAM window 0 for the CAN module (receive rules and CAN RAM test register). When setting these registers, set the RPAGE bit in the GRWCR register to 0.

2. These registers are allocated to RAM window 1 for the CAN module (receive buffer, receive FIFO buffer, transmit/receive FIFO buffer, transmit buffer, and transmit history data). When setting these registers, set the RPAGE bit in the GRWCR register to 1.

Table 18-3. List of CAN Module Registers (15/37)

Address	Special Function Register (SFR) Name	Symbol		R/W	Access Size			After Reset
					1 bit	8 bits	16 bits	
F0484H	CAN receive rule entry register 19AL ^{Note 1}	GAFIDL19L	GAFIDL19	R/W	—	√	√	0000H
F0485H		GAFIDL19H			—	√		
F0484H	CAN receive buffer register 14BL ^{Note 2}	RMTS14L	RMTS14	R	—	√	√	0000H
F0485H		RMTS14H			—	√		
F0486H	CAN receive rule entry register 19AH ^{Note 1}	GAFLIDH19L	GAFLIDH19	R/W	—	√	√	0000H
F0487H		GAFLIDH19H			—	√		
F0486H	CAN receive buffer register 14BH ^{Note 2}	RMPTR14L	RMPTR14	R	—	√	√	0000H
F0487H		RMPTR14H			—	√		
F0488H	CAN receive rule entry register 19BL ^{Note 1}	GAFML19L	GAFML19	R/W	—	√	√	0000H
F0489H		GAFML19H			—	√		
F0488H	CAN receive buffer register 14CL ^{Note 2}	RMDF014L	RMDF014	R	—	√	√	0000H
F0489H		RMDF014H			—	√		
F048AH	CAN receive rule entry register 19BH ^{Note 1}	GAFLMH19L	GAFLMH19	R/W	—	√	√	0000H
F048BH		GAFLMH19H			—	√		
F048AH	CAN receive buffer register 14CH ^{Note 2}	RMDF114L	RMDF114	R	—	√	√	0000H
F048BH		RMDF114H			—	√		
F048CH	CAN receive rule entry register 19CL ^{Note 1}	GAFPL19L	GAFPL19	R/W	—	√	√	0000H
F048DH		GAFPL19H			—	√		
F048CH	CAN receive buffer register 14DL ^{Note 2}	RMDF214L	RMDF214	R	—	√	√	0000H
F048DH		RMDF214H			—	√		
F048EH	CAN receive rule entry register 19CH ^{Note 1}	GAFPH19L	GAFPH19	R/W	—	√	√	0000H
F048FH		GAFPH19H			—	√		
F048EH	CAN receive buffer register 14DH ^{Note 2}	RMDF314L	RMDF314	R	—	√	√	0000H
F048FH		RMDF314H			—	√		
F0490H	CAN receive rule entry register 20AL ^{Note 1}	GAFIDL20L	GAFIDL20	R/W	—	√	√	0000H
F0491H		GAFIDL20H			—	√		
F0490H	CAN receive buffer register 15AL ^{Note 2}	RMIDL15L	RMIDL15	R	—	√	√	0000H
F0491H		RMIDL15H			—	√		
F0492H	CAN receive rule entry register 20AH ^{Note 1}	GAFLIDH20L	GAFLIDH20	R/W	—	√	√	0000H
F0493H		GAFLIDH20H			—	√		
F0492H	CAN receive buffer register 15AH ^{Note 2}	RMIDH15L	RMIDH15	R	—	√	√	0000H
F0493H		RMIDH15H			—	√		
F0494H	CAN receive rule entry register 20BL ^{Note 1}	GAFML20L	GAFML20	R/W	—	√	√	0000H
F0495H		GAFML20H			—	√		
F0494H	CAN receive buffer register 15BL ^{Note 2}	RMTS15L	RMTS15	R	—	√	√	0000H
F0495H		RMTS15H			—	√		
F0496H	CAN receive rule entry register 20BH ^{Note 1}	GAFLMH20L	GAFLMH20	R/W	—	√	√	0000H
F0497H		GAFLMH20H			—	√		
F0496H	CAN receive buffer register 15BH ^{Note 2}	RMPTR15L	RMPTR15	R	—	√	√	0000H
F0497H		RMPTR15H			—	√		
F0498H	CAN receive rule entry register 20CL ^{Note 1}	GAFPL20L	GAFPL20	R/W	—	√	√	0000H
F0499H		GAFPL20H			—	√		
F0498H	CAN receive buffer register 15CL ^{Note 2}	RMDF015L	RMDF015	R	—	√	√	0000H
F0499H		RMDF015H			—	√		

Notes 1. These registers are allocated to RAM window 0 for the CAN module (receive rules and CAN RAM test register). When setting these registers, set the RPAGE bit in the GRWCR register to 0.

2. These registers are allocated to RAM window 1 for the CAN module (receive buffer, receive FIFO buffer, transmit/receive FIFO buffer, transmit buffer, and transmit history data). When setting these registers, set the RPAGE bit in the GRWCR register to 1.

Table 18-3. List of CAN Module Registers (16/37)

Address	Special Function Register (SFR) Name	Symbol		R/W	Access Size			After Reset
					1 bit	8 bits	16 bits	
F049AH	CAN receive rule entry register 20CH ^{Note 1}	GAFLPH20L	GAFLPH20	R/W	—	√	√	0000H
F049BH		GAFLPH20H			—	√		
F049AH	CAN receive buffer register 15CH ^{Note 2}	RMDF115L	RMDF115	R	—	√	√	0000H
F049BH		RMDF115H			—	√		
F049CH	CAN receive rule entry register 21AL ^{Note 1}	GAFLIDL21L	GAFLIDL21	R/W	—	√	√	0000H
F049DH		GAFLIDL21H			—	√		
F049CH	CAN receive buffer register 15DL ^{Note 2}	RMDF215L	RMDF215	R	—	√	√	0000H
F049DH		RMDF215H			—	√		
F049EH	CAN receive rule entry register 21AH ^{Note 1}	GAFLIDH21L	GAFLIDH21	R/W	—	√	√	0000H
F049FH		GAFLIDH21H			—	√		
F049EH	CAN receive buffer register 15DH ^{Note 2}	RMDF315L	RMDF315	R	—	√	√	0000H
F049FH		RMDF315H			—	√		
F04A0H	CAN receive rule entry register 21BL ^{Note 1}	GAFLML21L	GAFLML21	R/W	—	√	√	0000H
F04A1H		GAFLML21H			—	√		
F04A0H	CAN receive buffer register 16AL ^{Note 2}	RMIDL16L	RMIDL16	R	—	√	√	0000H
F04A1H		RMIDL16H			—	√		
F04A2H	CAN receive rule entry register 21BH ^{Note 1}	GAFLMH21L	GAFLMH21	R/W	—	√	√	0000H
F04A3H		GAFLMH21H			—	√		
F04A2H	CAN receive buffer register 16AH ^{Note 2}	RMIDH16L	RMIDH16	R	—	√	√	0000H
F04A3H		RMIDH16H			—	√		
F04A4H	CAN receive rule entry register 21CL ^{Note 1}	GAFLPL21L	GAFLPL21	R/W	—	√	√	0000H
F04A5H		GAFLPL21H			—	√		
F04A4H	CAN receive buffer register 16BL ^{Note 2}	RMTS16L	RMTS16	R	—	√	√	0000H
F04A5H		RMTS16H			—	√		
F04A6H	CAN receive rule entry register 21CH ^{Note 1}	GAFLPH21L	GAFLPH21	R/W	—	√	√	0000H
F04A7H		GAFLPH21H			—	√		
F04A6H	CAN receive buffer register 16BH ^{Note 2}	RMPTR16L	RMPTR16	R	—	√	√	0000H
F04A7H		RMPTR16H			—	√		
F04A8H	CAN receive rule entry register 22AL ^{Note 1}	GAFLIDL22L	GAFLIDL22	R/W	—	√	√	0000H
F04A9H		GAFLIDL22H			—	√		
F04A8H	CAN receive buffer register 16CL ^{Note 2}	RMDF016L	RMDF016	R	—	√	√	0000H
F04A9H		RMDF016H			—	√		
F04AAH	CAN receive rule entry register 22AH ^{Note 1}	GAFLIDH22L	GAFLIDH22	R/W	—	√	√	0000H
F04ABH		GAFLIDH22H			—	√		
F04AAH	CAN receive buffer register 16CH ^{Note 2}	RMDF116L	RMDF116	R	—	√	√	0000H
F04ABH		RMDF116H			—	√		
F04ACH	CAN receive rule entry register 22BL ^{Note 1}	GAFLML22L	GAFLML22	R/W	—	√	√	0000H
F04ADH		GAFLML22H			—	√		
F04ACH	CAN receive buffer register 16DL ^{Note 2}	RMDF216L	RMDF216	R	—	√	√	0000H
F04ADH		RMDF216H			—	√		
F04AEH	CAN receive rule entry register 22BH ^{Note 1}	GAFLMH22L	GAFLMH22	R/W	—	√	√	0000H
F04AFH		GAFLMH22H			—	√		
F04AEH	CAN receive buffer register 16DH ^{Note 2}	RMDF316L	RMDF316	R	—	√	√	0000H
F04AFH		RMDF316H			—	√		

Notes 1. These registers are allocated to RAM window 0 for the CAN module (receive rules and CAN RAM test register). When setting these registers, set the RPAGE bit in the GRWCR register to 0.

2. These registers are allocated to RAM window 1 for the CAN module (receive buffer, receive FIFO buffer, transmit/receive FIFO buffer, transmit buffer, and transmit history data). When setting these registers, set the RPAGE bit in the GRWCR register to 1.

Table 18-3. List of CAN Module Registers (17/37)

Address	Special Function Register (SFR) Name	Symbol		R/W	Access Size			After Reset
					1 bit	8 bits	16 bits	
F04B0H	CAN receive rule entry register 22CL ^{Note 1}	GAFPL22L	GAFPL22	R/W	—	√	√	0000H
F04B1H		GAFPL22H			—	√		
F04B0H	CAN receive buffer register 17AL ^{Note 2}	RMIDL17L	RMIDL17	R	—	√	√	0000H
F04B1H		RMIDL17H			—	√		
F04B2H	CAN receive rule entry register 22CH ^{Note 1}	GAFLPH22L	GAFLPH22	R/W	—	√	√	0000H
F04B3H		GAFLPH22H			—	√		
F04B2H	CAN receive buffer register 17AH ^{Note 2}	RMIDH17L	RMIDH17	R	—	√	√	0000H
F04B3H		RMIDH17H			—	√		
F04B4H	CAN receive rule entry register 23AL ^{Note 1}	GAFLIDL23L	GAFLIDL23	R/W	—	√	√	0000H
F04B5H		GAFLIDL23H			—	√		
F04B4H	CAN receive buffer register 17BL ^{Note 2}	RMTS17L	RMTS17	R	—	√	√	0000H
F04B5H		RMTS17H			—	√		
F04B6H	CAN receive rule entry register 23AH ^{Note 1}	GAFLIDH23L	GAFLIDH23	R/W	—	√	√	0000H
F04B7H		GAFLIDH23H			—	√		
F04B6H	CAN receive buffer register 17BH ^{Note 2}	RMPTR17L	RMPTR17	R	—	√	√	0000H
F04B7H		RMPTR17H			—	√		
F04B8H	CAN receive rule entry register 23BL ^{Note 1}	GAFML23L	GAFML23	R/W	—	√	√	0000H
F04B9H		GAFML23H			—	√		
F04B8H	CAN receive buffer register 17CL ^{Note 2}	RMDF017L	RMDF017	R	—	√	√	0000H
F04B9H		RMDF017H			—	√		
F04BAH	CAN receive rule entry register 23BH ^{Note 1}	GAFLMH23L	GAFLMH23	R/W	—	√	√	0000H
F04BBH		GAFLMH23H			—	√		
F04BAH	CAN receive buffer register 17CH ^{Note 2}	RMDF117L	RMDF117	R	—	√	√	0000H
F04BBH		RMDF117H			—	√		
F04BCH	CAN receive rule entry register 23CL ^{Note 1}	GAFPL23L	GAFPL23	R/W	—	√	√	0000H
F04BDH		GAFPL23H			—	√		
F04BCH	CAN receive buffer register 17DL ^{Note 2}	RMDF217L	RMDF217	R	—	√	√	0000H
F04BDH		RMDF217H			—	√		
F04BEH	CAN receive rule entry register 23CH ^{Note 1}	GAFLPH23L	GAFLPH23	R/W	—	√	√	0000H
F04BFH		GAFLPH23H			—	√		
F04BEH	CAN receive buffer register 17DH ^{Note 2}	RMDF317L	RMDF317	R	—	√	√	0000H
F04BFH		RMDF317H			—	√		
F04C0H	CAN receive rule entry register 24AL ^{Note 1}	GAFLIDL24L	GAFLIDL24	R/W	—	√	√	0000H
F04C1H		GAFLIDL24H			—	√		
F04C0H	CAN receive buffer register 18AL ^{Note 2}	RMIDL18L	RMIDL18	R	—	√	√	0000H
F04C1H		RMIDL18H			—	√		
F04C2H	CAN receive rule entry register 24AH ^{Note 1}	GAFLIDH24L	GAFLIDH24	R/W	—	√	√	0000H
F04C3H		GAFLIDH24H			—	√		
F04C2H	CAN receive buffer register 18AH ^{Note 2}	RMIDH18L	RMIDH18	R	—	√	√	0000H
F04C3H		RMIDH18H			—	√		
F04C4H	CAN receive rule entry register 24BL ^{Note 1}	GAFML24L	GAFML24	R/W	—	√	√	0000H
F04C5H		GAFML24H			—	√		
F04C4H	CAN receive buffer register 18BL ^{Note 2}	RMTS18L	RMTS18	R	—	√	√	0000H
F04C5H		RMTS18H			—	√		

Notes 1. These registers are allocated to RAM window 0 for the CAN module (receive rules and CAN RAM test register). When setting these registers, set the RPAGE bit in the GRWCR register to 0.

2. These registers are allocated to RAM window 1 for the CAN module (receive buffer, receive FIFO buffer, transmit/receive FIFO buffer, transmit buffer, and transmit history data). When setting these registers, set the RPAGE bit in the GRWCR register to 1.

Table 18-3. List of CAN Module Registers (18/37)

Address	Special Function Register (SFR) Name	Symbol		R/W	Access Size			After Reset
					1 bit	8 bits	16 bits	
F04C6H	CAN receive rule entry register 24BH ^{Note 1}	GAFLMH24L	GAFLMH24	R/W	—	√	√	0000H
F04C7H		GAFLMH24H			—	√		
F04C6H	CAN receive buffer register 18BH ^{Note 2}	RMPTR18L	RMPTR18	R	—	√	√	0000H
F04C7H		RMPTR18H			—	√		
F04C8H	CAN receive rule entry register 24CL ^{Note 1}	GAFLPL24L	GAFLPL24	R/W	—	√	√	0000H
F04C9H		GAFLPL24H			—	√		
F04C8H	CAN receive buffer register 18CL ^{Note 2}	RMDF018L	RMDF018	R	—	√	√	0000H
F04C9H		RMDF018H			—	√		
F04CAH	CAN receive rule entry register 24CH ^{Note 1}	GAFLPH24L	GAFLPH24	R/W	—	√	√	0000H
F04CBH		GAFLPH24H			—	√		
F04CAH	CAN receive buffer register 18CH ^{Note 2}	RMDF118L	RMDF118	R	—	√	√	0000H
F04CBH		RMDF118H			—	√		
F04CCH	CAN receive rule entry register 25AL ^{Note 1}	GAFLIDL25L	GAFLIDL25	R/W	—	√	√	0000H
F04CDH		GAFLIDL25H			—	√		
F04CCH	CAN receive buffer register 18DL ^{Note 2}	RMDF218L	RMDF218	R	—	√	√	0000H
F04CDH		RMDF218H			—	√		
F04CEH	CAN receive rule entry register 25AH ^{Note 1}	GAFLIDH25L	GAFLIDH25	R/W	—	√	√	0000H
F04CFH		GAFLIDH25H			—	√		
F04CEH	CAN receive buffer register 18DH ^{Note 2}	RMDF318L	RMDF318	R	—	√	√	0000H
F04CFH		RMDF318H			—	√		
F04D0H	CAN receive rule entry register 25BL ^{Note 1}	GAFLML25L	GAFLML25	R/W	—	√	√	0000H
F04D1H		GAFLML25H			—	√		
F04D0H	CAN receive buffer register 19AL ^{Note 2}	RMIDL19L	RMIDL19	R	—	√	√	0000H
F04D1H		RMIDL19H			—	√		
F04D2H	CAN receive rule entry register 25BH ^{Note 1}	GAFLMH25L	GAFLMH25	R/W	—	√	√	0000H
F04D3H		GAFLMH25H			—	√		
F04D2H	CAN receive buffer register 19AH ^{Note 2}	RMIDH19L	RMIDH19	R	—	√	√	0000H
F04D3H		RMIDH19H			—	√		
F04D4H	CAN receive rule entry register 25CL ^{Note 1}	GAFLPL25L	GAFLPL25	R/W	—	√	√	0000H
F04D5H		GAFLPL25H			—	√		
F04D4H	CAN receive buffer register 19BL ^{Note 2}	RMTS19L	RMTS19	R	—	√	√	0000H
F04D5H		RMTS19H			—	√		
F04D6H	CAN receive rule entry register 25CH ^{Note 1}	GAFLPH25L	GAFLPH25	R/W	—	√	√	0000H
F04D7H		GAFLPH25H			—	√		
F04D6H	CAN receive buffer register 19BH ^{Note 2}	RMPTR19L	RMPTR19	R	—	√	√	0000H
F04D7H		RMPTR19H			—	√		
F04D8H	CAN receive rule entry register 26AL ^{Note 1}	GAFLIDL26L	GAFLIDL26	R/W	—	√	√	0000H
F04D9H		GAFLIDL26H			—	√		
F04D8H	CAN receive buffer register 19CL ^{Note 2}	RMDF019L	RMDF019	R	—	√	√	0000H
F04D9H		RMDF019H			—	√		
F04DAH	CAN receive rule entry register 26AH ^{Note 1}	GAFLIDH26L	GAFLIDH26	R/W	—	√	√	0000H
F04DBH		GAFLIDH26H			—	√		
F04DAH	CAN receive buffer register 19CH ^{Note 2}	RMDF119L	RMDF119	R	—	√	√	0000H
F04DBH		RMDF119H			—	√		

Notes 1. These registers are allocated to RAM window 0 for the CAN module (receive rules and CAN RAM test register). When setting these registers, set the RPAGE bit in the GRWCR register to 0.

2. These registers are allocated to RAM window 1 for the CAN module (receive buffer, receive FIFO buffer, transmit/receive FIFO buffer, transmit buffer, and transmit history data). When setting these registers, set the RPAGE bit in the GRWCR register to 1.

Table 18-3. List of CAN Module Registers (19/37)

Address	Special Function Register (SFR) Name	Symbol		R/W	Access Size			After Reset
					1 bit	8 bits	16 bits	
F04DCH	CAN receive rule entry register 26BL ^{Note 1}	GAFLML26L	GAFLML26	R/W	—	√	√	0000H
F04DDH		GAFLML26H			—	√		
F04DCH	CAN receive buffer register 19DL ^{Note 2}	RMDF219L	RMDF219	R	—	√	√	0000H
F04DDH		RMDF219H			—	√		
F04DEH	CAN receive rule entry register 26BH ^{Note 1}	GAFLMH26L	GAFLMH26	R/W	—	√	√	0000H
F04DFH		GAFLMH26H			—	√		
F04DEH	CAN receive buffer register 19DH ^{Note 2}	RMDF319L	RMDF319	R	—	√	√	0000H
F04DFH		RMDF319H			—	√		
F04E0H	CAN receive rule entry register 26CL ^{Note 1}	GAFLPL26L	GAFLPL26	R/W	—	√	√	0000H
F04E1H		GAFLPL26H			—	√		
F04E0H	CAN receive buffer register 20AL ^{Note 2}	RMIDL20L	RMIDL20	R	—	√	√	0000H
F04E1H		RMIDL20H			—	√		
F04E2H	CAN receive rule entry register 26CH ^{Note 1}	GAFLPH26L	GAFLPH26	R/W	—	√	√	0000H
F04E3H		GAFLPH26H			—	√		
F04E2H	CAN receive buffer register 20AH ^{Note 2}	RMIDH20L	RMIDH20	R	—	√	√	0000H
F04E3H		RMIDH20H			—	√		
F04E4H	CAN receive rule entry register 27AL ^{Note 1}	GAFLIDL27L	GAFLIDL27	R/W	—	√	√	0000H
F04E5H		GAFLIDL27H			—	√		
F04E4H	CAN receive buffer register 20BL ^{Note 2}	RMTS20L	RMTS20	R	—	√	√	0000H
F04E5H		RMTS20H			—	√		
F04E6H	CAN receive rule entry register 27AH ^{Note 1}	GAFLIDH27L	GAFLIDH27	R/W	—	√	√	0000H
F04E7H		GAFLIDH27H			—	√		
F04E6H	CAN receive buffer register 20BH ^{Note 2}	RMPTR20L	RMPTR20	R	—	√	√	0000H
F04E7H		RMPTR20H			—	√		
F04E8H	CAN receive rule entry register 27BL ^{Note 1}	GAFLML27L	GAFLML27	R/W	—	√	√	0000H
F04E9H		GAFLML27H			—	√		
F04E8H	CAN receive buffer register 20CL ^{Note 2}	RMDF020L	RMDF020	R	—	√	√	0000H
F04E9H		RMDF020H			—	√		
F04EAH	CAN receive rule entry register 27BH ^{Note 1}	GAFLMH27L	GAFLMH27	R/W	—	√	√	0000H
F04EBH		GAFLMH27H			—	√		
F04EAH	CAN receive buffer register 20CH ^{Note 2}	RMDF120L	RMDF120	R	—	√	√	0000H
F04EBH		RMDF120H			—	√		
F04ECH	CAN receive rule entry register 27CL ^{Note 1}	GAFLPL27L	GAFLPL27	R/W	—	√	√	0000H
F04EDH		GAFLPL27H			—	√		
F04ECH	CAN receive buffer register 20DL ^{Note 2}	RMDF220L	RMDF220	R	—	√	√	0000H
F04EDH		RMDF220H			—	√		
F04EEH	CAN receive rule entry register 27CH ^{Note 1}	GAFLPH27L	GAFLPH27	R/W	—	√	√	0000H
F04EFH		GAFLPH27H			—	√		
F04EEH	CAN receive buffer register 20DH ^{Note 2}	RMDF320L	RMDF320	R	—	√	√	0000H
F04EFH		RMDF320H			—	√		
F04F0H	CAN receive rule entry register 28AL ^{Note 1}	GAFLIDL28L	GAFLIDL28	R/W	—	√	√	0000H
F04F1H		GAFLIDL28H			—	√		
F04F0H	CAN receive buffer register 21AL ^{Note 2}	RMIDL21L	RMIDL21	R	—	√	√	0000H
F04F1H		RMIDL21H			—	√		

Notes 1. These registers are allocated to RAM window 0 for the CAN module (receive rules and CAN RAM test register). When setting these registers, set the RPAGE bit in the GRWCR register to 0.

2. These registers are allocated to RAM window 1 for the CAN module (receive buffer, receive FIFO buffer, transmit/receive FIFO buffer, transmit buffer, and transmit history data). When setting these registers, set the RPAGE bit in the GRWCR register to 1.

Table 18-3. List of CAN Module Registers (20/37)

Address	Special Function Register (SFR) Name	Symbol		R/W	Access Size			After Reset
					1 bit	8 bits	16 bits	
F04F2H	CAN receive rule entry register 28AH ^{Note 1}	GAFLIDH28L	GAFLIDH28	R/W	—	√	√	0000H
F04F3H		GAFLIDH28H			—	√		
F04F2H	CAN receive buffer register 21AH ^{Note 2}	RMIDH21L	RMIDH21	R	—	√	√	0000H
F04F3H		RMIDH21H			—	√		
F04F4H	CAN receive rule entry register 28BL ^{Note 1}	GAFLML28L	GAFLML28	R/W	—	√	√	0000H
F04F5H		GAFLML28H			—	√		
F04F4H	CAN receive buffer register 21BL ^{Note 2}	RMTS21L	RMTS21	R	—	√	√	0000H
F04F5H		RMTS21H			—	√		
F04F6H	CAN receive rule entry register 28BH ^{Note 1}	GAFLMH28L	GAFLMH28	R/W	—	√	√	0000H
F04F7H		GAFLMH28H			—	√		
F04F6H	CAN receive buffer register 21BH ^{Note 2}	RMPTR21L	RMPTR21	R	—	√	√	0000H
F04F7H		RMPTR21H			—	√		
F04F8H	CAN receive rule entry register 28CL ^{Note 1}	GAFLPL28L	GAFLPL28	R/W	—	√	√	0000H
F04F9H		GAFLPL28H			—	√		
F04F8H	CAN receive buffer register 21CL ^{Note 2}	RMDF021L	RMDF021	R	—	√	√	0000H
F04F9H		RMDF021H			—	√		
F04FAH	CAN receive rule entry register 28CH ^{Note 1}	GAFLPH28L	GAFLPH28	R/W	—	√	√	0000H
F04FBH		GAFLPH28H			—	√		
F04FAH	CAN receive buffer register 21CH ^{Note 2}	RMDF121L	RMDF121	R	—	√	√	0000H
F04FBH		RMDF121H			—	√		
F04FCH	CAN receive rule entry register 29AL ^{Note 1}	GAFLIDL29L	GAFLIDL29	R/W	—	√	√	0000H
F04FDH		GAFLIDL29H			—	√		
F04FCH	CAN receive buffer register 21DL ^{Note 2}	RMDF221L	RMDF221	R	—	√	√	0000H
F04FDH		RMDF221H			—	√		
F04FEH	CAN receive rule entry register 29AH ^{Note 1}	GAFLIDH29L	GAFLIDH29	R/W	—	√	√	0000H
F04FFH		GAFLIDH29H			—	√		
F04FEH	CAN receive buffer register 21DH ^{Note 2}	RMDF321L	RMDF321	R	—	√	√	0000H
F04FFH		RMDF321H			—	√		
F0500H	CAN receive rule entry register 29BL ^{Note 1}	GAFLML29L	GAFLML29	R/W	—	√	√	0000H
F0501H		GAFLML29H			—	√		
F0500H	CAN receive buffer register 22AL ^{Note 2}	RMIDL22L	RMIDL22	R	—	√	√	0000H
F0501H		RMIDL22H			—	√		
F0502H	CAN receive rule entry register 29BH ^{Note 1}	GAFLMH29L	GAFLMH29	R/W	—	√	√	0000H
F0503H		GAFLMH29H			—	√		
F0502H	CAN receive buffer register 22AH ^{Note 2}	RMIDH22L	RMIDH22	R	—	√	√	0000H
F0503H		RMIDH22H			—	√		
F0504H	CAN receive rule entry register 29CL ^{Note 1}	GAFLPL29L	GAFLPL29	R/W	—	√	√	0000H
F0505H		GAFLPL29H			—	√		
F0504H	CAN receive buffer register 22BL ^{Note 2}	RMTS22L	RMTS22	R	—	√	√	0000H
F0505H		RMTS22H			—	√		
F0506H	CAN receive rule entry register 29CH ^{Note 1}	GAFLPH29L	GAFLPH29	R/W	—	√	√	0000H
F0507H		GAFLPH29H			—	√		
F0506H	CAN receive buffer register 22BH ^{Note 2}	RMPTR22L	RMPTR22	R	—	√	√	0000H
F0507H		RMPTR22H			—	√		

Notes 1. These registers are allocated to RAM window 0 for the CAN module (receive rules and CAN RAM test register). When setting these registers, set the RPAGE bit in the GRWCR register to 0.

2. These registers are allocated to RAM window 1 for the CAN module (receive buffer, receive FIFO buffer, transmit/receive FIFO buffer, transmit buffer, and transmit history data). When setting these registers, set the RPAGE bit in the GRWCR register to 1.

Table 18-3. List of CAN Module Registers (21/37)

Address	Special Function Register (SFR) Name	Symbol		R/W	Access Size			After Reset
					1 bit	8 bits	16 bits	
F0508H	CAN receive rule entry register 30AL ^{Note 1}	GAFLIDL30L	GAFLIDL30	R/W	—	√	√	0000H
F0509H		GAFLIDL30H			—	√		
F0508H	CAN receive buffer register 22CL ^{Note 2}	RMDF022L	RMDF022	R	—	√	√	0000H
F0509H		RMDF022H			—	√		
F050AH	CAN receive rule entry register 30AH ^{Note 1}	GAFLIDH30L	GAFLIDH30	R/W	—	√	√	0000H
F050BH		GAFLIDH30H			—	√		
F050AH	CAN receive buffer register 22CH ^{Note 2}	RMDF122L	RMDF122	R	—	√	√	0000H
F050BH		RMDF122H			—	√		
F050CH	CAN receive rule entry register 30BL ^{Note 1}	GAFLML30L	GAFLML30	R/W	—	√	√	0000H
F050DH		GAFLML30H			—	√		
F050CH	CAN receive buffer register 22DL ^{Note 2}	RMDF222L	RMDF222	R	—	√	√	0000H
F050DH		RMDF222H			—	√		
F050EH	CAN receive rule entry register 30BH ^{Note 1}	GAFLMH30L	GAFLMH30	R/W	—	√	√	0000H
F050FH		GAFLMH30H			—	√		
F050EH	CAN receive buffer register 22DH ^{Note 2}	RMDF322L	RMDF322	R	—	√	√	0000H
F050FH		RMDF322H			—	√		
F0510H	CAN receive rule entry register 30CL ^{Note 1}	GAFLPL30L	GAFLPL30	R/W	—	√	√	0000H
F0511H		GAFLPL30H			—	√		
F0510H	CAN receive buffer register 23AL ^{Note 2}	RMIDL23L	RMIDL23	R	—	√	√	0000H
F0511H		RMIDL23H			—	√		
F0512H	CAN receive rule entry register 30CH ^{Note 1}	GAFLPH30L	GAFLPH30	R/W	—	√	√	0000H
F0513H		GAFLPH30H			—	√		
F0512H	CAN receive buffer register 23AH ^{Note 2}	RMIDH23L	RMIDH23	R	—	√	√	0000H
F0513H		RMIDH23H			—	√		
F0514H	CAN receive rule entry register 31AL ^{Note 1}	GAFLIDL31L	GAFLIDL31	R/W	—	√	√	0000H
F0515H		GAFLIDL31H			—	√		
F0514H	CAN receive buffer register 23BL ^{Note 2}	RMTS23L	RMTS23	R	—	√	√	0000H
F0515H		RMTS23H			—	√		
F0516H	CAN receive rule entry register 31AH ^{Note 1}	GAFLIDH31L	GAFLIDH31	R/W	—	√	√	0000H
F0517H		GAFLIDH31H			—	√		
F0516H	CAN receive buffer register 23BH ^{Note 2}	RMPTR23L	RMPTR23	R	—	√	√	0000H
F0517H		RMPTR23H			—	√		
F0518H	CAN receive rule entry register 31BL ^{Note 1}	GAFLML31L	GAFLML31	R/W	—	√	√	0000H
F0519H		GAFLML31H			—	√		
F0518H	CAN receive buffer register 23CL ^{Note 2}	RMDF023L	RMDF023	R	—	√	√	0000H
F0519H		RMDF023H			—	√		
F051AH	CAN receive rule entry register 31BH ^{Note 1}	GAFLMH31L	GAFLMH31	R/W	—	√	√	0000H
F051BH		GAFLMH31H			—	√		
F051AH	CAN receive buffer register 23CH ^{Note 2}	RMDF123L	RMDF123	R	—	√	√	0000H
F051BH		RMDF123H			—	√		
F051CH	CAN receive rule entry register 31CL ^{Note 1}	GAFLPL31L	GAFLPL31	R/W	—	√	√	0000H
F051DH		GAFLPL31H			—	√		
F051CH	CAN receive buffer register 23DL ^{Note 2}	RMDF223L	RMDF223	R	—	√	√	0000H
F051DH		RMDF223H			—	√		

Notes 1. These registers are allocated to RAM window 0 for the CAN module (receive rules and CAN RAM test register). When setting these registers, set the RPAGE bit in the GRWCR register to 0.

2. These registers are allocated to RAM window 1 for the CAN module (receive buffer, receive FIFO buffer, transmit/receive FIFO buffer, transmit buffer, and transmit history data). When setting these registers, set the RPAGE bit in the GRWCR register to 1.

Table 18-3. List of CAN Module Registers (22/37)

Address	Special Function Register (SFR) Name	Symbol		R/W	Access Size			After Reset
					1 bit	8 bits	16 bits	
F051EH	CAN receive rule entry register 31CH ^{Note 1}	GAFLPH31L	GAFLPH31	R/W	—	√	√	0000H
F051FH		GAFLPH31H			—	√		
F051EH	CAN receive buffer register 23DH ^{Note 2}	RMDF323L	RMDF323	R	—	√	√	0000H
F051FH		RMDF323H			—	√		
F0520H	CAN receive rule entry register 32AL ^{Note 1}	GAFLIDL32L	GAFLIDL32	R/W	—	√	√	0000H
F0521H		GAFLIDL32H			—	√		
F0520H	CAN receive buffer register 24AL ^{Note 2}	RMIDL24L	RMIDL24	R	—	√	√	0000H
F0521H		RMIDL24H			—	√		
F0522H	CAN receive rule entry register 32AH ^{Note 1}	GAFLIDH32L	GAFLIDH32	R/W	—	√	√	0000H
F0523H		GAFLIDH32H			—	√		
F0522H	CAN receive buffer register 24AH ^{Note 2}	RMIDH24L	RMIDH24	R	—	√	√	0000H
F0523H		RMIDH24H			—	√		
F0524H	CAN receive rule entry register 32BL ^{Note 1}	GAFLML32L	GAFLML32	R/W	—	√	√	0000H
F0525H		GAFLML32H			—	√		
F0524H	CAN receive buffer register 24BL ^{Note 2}	RMTS24L	RMTS24	R	—	√	√	0000H
F0525H		RMTS24H			—	√		
F0526H	CAN receive rule entry register 32BH ^{Note 1}	GAFLMH32L	GAFLMH32	R/W	—	√	√	0000H
F0527H		GAFLMH32H			—	√		
F0526H	CAN receive buffer register 24BH ^{Note 2}	RMPTR24L	RMPTR24	R	—	√	√	0000H
F0527H		RMPTR24H			—	√		
F0528H	CAN receive rule entry register 32CL ^{Note 1}	GAFLPL32L	GAFLPL32	R/W	—	√	√	0000H
F0529H		GAFLPL32H			—	√		
F0528H	CAN receive buffer register 24CL ^{Note 2}	RMDF024L	RMDF024	R	—	√	√	0000H
F0529H		RMDF024H			—	√		
F052AH	CAN receive rule entry register 32CH ^{Note 1}	GAFLPH32L	GAFLPH32	R/W	—	√	√	0000H
F052BH		GAFLPH32H			—	√		
F052AH	CAN receive buffer register 24CH ^{Note 2}	RMDF124L	RMDF124	R	—	√	√	0000H
F052BH		RMDF124H			—	√		
F052CH	CAN receive rule entry register 33AL ^{Note 1}	GAFLIDL33L	GAFLIDL33	R/W	—	√	√	0000H
F052DH		GAFLIDL33H			—	√		
F052CH	CAN receive buffer register 24DL ^{Note 2}	RMDF224L	RMDF224	R	—	√	√	0000H
F052DH		RMDF224H			—	√		
F052EH	CAN receive rule entry register 33AH ^{Note 1}	GAFLIDH33L	GAFLIDH33	R/W	—	√	√	0000H
F052FH		GAFLIDH33H			—	√		
F052EH	CAN receive buffer register 24DH ^{Note 2}	RMDF324L	RMDF324	R	—	√	√	0000H
F052FH		RMDF324H			—	√		
F0530H	CAN receive rule entry register 33BL ^{Note 1}	GAFLML33L	GAFLML33	R/W	—	√	√	0000H
F0531H		GAFLML33H			—	√		
F0530H	CAN receive buffer register 25AL ^{Note 2}	RMIDL25L	RMIDL25	R	—	√	√	0000H
F0531H		RMIDL25H			—	√		
F0532H	CAN receive rule entry register 33BH ^{Note 1}	GAFLMH33L	GAFLMH33	R/W	—	√	√	0000H
F0533H		GAFLMH33H			—	√		
F0532H	CAN receive buffer register 25AH ^{Note 2}	RMIDH25L	RMIDH25	R	—	√	√	0000H
F0533H		RMIDH25H			—	√		

Notes 1. These registers are allocated to RAM window 0 for the CAN module (receive rules and CAN RAM test register). When setting these registers, set the RPAGE bit in the GRWCR register to 0.

2. These registers are allocated to RAM window 1 for the CAN module (receive buffer, receive FIFO buffer, transmit/receive FIFO buffer, transmit buffer, and transmit history data). When setting these registers, set the RPAGE bit in the GRWCR register to 1.

Table 18-3. List of CAN Module Registers (23/37)

Address	Special Function Register (SFR) Name	Symbol		R/W	Access Size			After Reset
					1 bit	8 bits	16 bits	
F0534H	CAN receive rule entry register 33CL ^{Note 1}	GAFPLP33L	GAFPLP33	R/W	—	√	√	0000H
F0535H		GAFPLP33H			—	√		
F0534H	CAN receive buffer register 25BL ^{Note 2}	RMTS25L	RMTS25	R	—	√	√	0000H
F0535H		RMTS25H			—	√		
F0536H	CAN receive rule entry register 33CH ^{Note 1}	GAFLPH33L	GAFLPH33	R/W	—	√	√	0000H
F0537H		GAFLPH33H			—	√		
F0536H	CAN receive buffer register 25BH ^{Note 2}	RMPTR25L	RMPTR25	R	—	√	√	0000H
F0537H		RMPTR25H			—	√		
F0538H	CAN receive rule entry register 34AL ^{Note 1}	GAFIDL34L	GAFIDL34	R/W	—	√	√	0000H
F0539H		GAFIDL34H			—	√		
F0538H	CAN receive buffer register 25CL ^{Note 2}	RMDF025L	RMDF025	R	—	√	√	0000H
F0539H		RMDF025H			—	√		
F053AH	CAN receive rule entry register 34AH ^{Note 1}	GAFLIDH34L	GAFLIDH34	R/W	—	√	√	0000H
F053BH		GAFLIDH34H			—	√		
F053AH	CAN receive buffer register 25CH ^{Note 2}	RMDF125L	RMDF125	R	—	√	√	0000H
F053BH		RMDF125H			—	√		
F053CH	CAN receive rule entry register 34BL ^{Note 1}	GAFML34L	GAFML34	R/W	—	√	√	0000H
F053DH		GAFML34H			—	√		
F053CH	CAN receive buffer register 25DL ^{Note 2}	RMDF225L	RMDF225	R	—	√	√	0000H
F053DH		RMDF225H			—	√		
F053EH	CAN receive rule entry register 34BH ^{Note 1}	GAFLMH34L	GAFLMH34	R/W	—	√	√	0000H
F053FH		GAFLMH34H			—	√		
F053EH	CAN receive buffer register 25DH ^{Note 2}	RMDF325L	RMDF325	R	—	√	√	0000H
F053FH		RMDF325H			—	√		
F0540H	CAN receive rule entry register 34CL ^{Note 1}	GAFPL34L	GAFPL34	R/W	—	√	√	0000H
F0541H		GAFPL34H			—	√		
F0540H	CAN receive buffer register 26AL ^{Note 2}	RMIDL26L	RMIDL26	R	—	√	√	0000H
F0541H		RMIDL26H			—	√		
F0542H	CAN receive rule entry register 34CH ^{Note 1}	GAFLPH34L	GAFLPH34	R/W	—	√	√	0000H
F0543H		GAFLPH34H			—	√		
F0542H	CAN receive buffer register 26AH ^{Note 2}	RMIDH26L	RMIDH26	R	—	√	√	0000H
F0543H		RMIDH26H			—	√		
F0544H	CAN receive rule entry register 35AL ^{Note 1}	GAFIDL35L	GAFIDL35	R/W	—	√	√	0000H
F0545H		GAFIDL35H			—	√		
F0544H	CAN receive buffer register 26BL ^{Note 2}	RMTS26L	RMTS26	R	—	√	√	0000H
F0545H		RMTS26H			—	√		
F0546H	CAN receive rule entry register 35AH ^{Note 1}	GAFLIDH35L	GAFLIDH35	R/W	—	√	√	0000H
F0547H		GAFLIDH35H			—	√		
F0546H	CAN receive buffer register 26BH ^{Note 2}	RMPTR26L	RMPTR26	R	—	√	√	0000H
F0547H		RMPTR26H			—	√		
F0548H	CAN receive rule entry register 35BL ^{Note 1}	GAFML35L	GAFML35	R/W	—	√	√	0000H
F0549H		GAFML35H			—	√		
F0548H	CAN receive buffer register 26CL ^{Note 2}	RMDF026L	RMDF026	R	—	√	√	0000H
F0549H		RMDF026H			—	√		

Notes 1. These registers are allocated to RAM window 0 for the CAN module (receive rules and CAN RAM test register). When setting these registers, set the RPAGE bit in the GRWCR register to 0.

2. These registers are allocated to RAM window 1 for the CAN module (receive buffer, receive FIFO buffer, transmit/receive FIFO buffer, transmit buffer, and transmit history data). When setting these registers, set the RPAGE bit in the GRWCR register to 1.

Table 18-3. List of CAN Module Registers (24/37)

Address	Special Function Register (SFR) Name	Symbol		R/W	Access Size			After Reset
					1 bit	8 bits	16 bits	
F054AH	CAN receive rule entry register 35BH ^{Note 1}	GAFLMH35L	GAFLMH35	R/W	—	√	√	0000H
F054BH		GAFLMH35H			—	√		
F054AH	CAN receive buffer register 26CH ^{Note 2}	RMDF126L	RMDF126	R	—	√	√	0000H
F054BH		RMDF126H			—	√		
F054CH	CAN receive rule entry register 35CL ^{Note 1}	GAFLPL35L	GAFLPL35	R/W	—	√	√	0000H
F054DH		GAFLPL35H			—	√		
F054CH	CAN receive buffer register 26DL ^{Note 2}	RMDF226L	RMDF226	R	—	√	√	0000H
F054DH		RMDF226H			—	√		
F054EH	CAN receive rule entry register 35CH ^{Note 1}	GAFLPH35L	GAFLPH35	R/W	—	√	√	0000H
F054FH		GAFLPH35H			—	√		
F054EH	CAN receive buffer register 26DH ^{Note 2}	RMDF326L	RMDF326	R	—	√	√	0000H
F054FH		RMDF326H			—	√		
F0550H	CAN receive rule entry register 36AL ^{Note 1}	GAFLIDL36L	GAFLIDL36	R/W	—	√	√	0000H
F0551H		GAFLIDL36H			—	√		
F0550H	CAN receive buffer register 27AL ^{Note 2}	RMIDL27L	RMIDL27	R	—	√	√	0000H
F0551H		RMIDL27H			—	√		
F0552H	CAN receive rule entry register 36AH ^{Note 1}	GAFLIDH36L	GAFLIDH36	R/W	—	√	√	0000H
F0553H		GAFLIDH36H			—	√		
F0552H	CAN receive buffer register 27AH ^{Note 2}	RMIDH27L	RMIDH27	R	—	√	√	0000H
F0553H		RMIDH27H			—	√		
F0554H	CAN receive rule entry register 36BL ^{Note 1}	GAFLML36L	GAFLML36	R/W	—	√	√	0000H
F0555H		GAFLML36H			—	√		
F0554H	CAN receive buffer register 27BL ^{Note 2}	RMTS27L	RMTS27	R	—	√	√	0000H
F0555H		RMTS27H			—	√		
F0556H	CAN receive rule entry register 36BH ^{Note 1}	GAFLMH36L	GAFLMH36	R/W	—	√	√	0000H
F0557H		GAFLMH36H			—	√		
F0556H	CAN receive buffer register 27BH ^{Note 2}	RMPTR27L	RMPTR27	R	—	√	√	0000H
F0557H		RMPTR27H			—	√		
F0558H	CAN receive rule entry register 36CL ^{Note 1}	GAFLPL36L	GAFLPL36	R/W	—	√	√	0000H
F0559H		GAFLPL36H			—	√		
F0558H	CAN receive buffer register 27CL ^{Note 2}	RMDF027L	RMDF027	R	—	√	√	0000H
F0559H		RMDF027H			—	√		
F055AH	CAN receive rule entry register 36CH ^{Note 1}	GAFLPH36L	GAFLPH36	R/W	—	√	√	0000H
F055BH		GAFLPH36H			—	√		
F055AH	CAN receive buffer register 27CH ^{Note 2}	RMDF127L	RMDF127	R	—	√	√	0000H
F055BH		RMDF127H			—	√		
F055CH	CAN receive rule entry register 37AL ^{Note 1}	GAFLIDL37L	GAFLIDL37	R/W	—	√	√	0000H
F055DH		GAFLIDL37H			—	√		
F055CH	CAN receive buffer register 27DL ^{Note 2}	RMDF227L	RMDF227	R	—	√	√	0000H
F055DH		RMDF227H			—	√		
F055EH	CAN receive rule entry register 37AH ^{Note 1}	GAFLIDH37L	GAFLIDH37	R/W	—	√	√	0000H
F055FH		GAFLIDH37H			—	√		
F055EH	CAN receive buffer register 27DH ^{Note 2}	RMDF327L	RMDF327	R	—	√	√	0000H
F055FH		RMDF327H			—	√		

Notes 1. These registers are allocated to RAM window 0 for the CAN module (receive rules and CAN RAM test register). When setting these registers, set the RPAGE bit in the GRWCR register to 0.

2. These registers are allocated to RAM window 1 for the CAN module (receive buffer, receive FIFO buffer, transmit/receive FIFO buffer, transmit buffer, and transmit history data). When setting these registers, set the RPAGE bit in the GRWCR register to 1.

Table 18-3. List of CAN Module Registers (25/37)

Address	Special Function Register (SFR) Name	Symbol		R/W	Access Size			After Reset
					1 bit	8 bits	16 bits	
F0560H	CAN receive rule entry register 37BL ^{Note 1}	GAFLML37L	GAFLML37	R/W	—	√	√	0000H
F0561H		GAFLML37H			—	√		
F0560H	CAN receive buffer register 28AL ^{Note 2}	RMIDL28L	RMIDL28	R	—	√	√	0000H
F0561H		RMIDL28H			—	√		
F0562H	CAN receive rule entry register 37BH ^{Note 1}	GAFLMH37L	GAFLMH37	R/W	—	√	√	0000H
F0563H		GAFLMH37H			—	√		
F0562H	CAN receive buffer register 28AH ^{Note 2}	RMIDH28L	RMIDH28	R	—	√	√	0000H
F0563H		RMIDH28H			—	√		
F0564H	CAN receive rule entry register 37CL ^{Note 1}	GAFLPL37L	GAFLPL37	R/W	—	√	√	0000H
F0565H		GAFLPL37H			—	√		
F0564H	CAN receive buffer register 28BL ^{Note 2}	RMTS28L	RMTS28	R	—	√	√	0000H
F0565H		RMTS28H			—	√		
F0566H	CAN receive rule entry register 37CH ^{Note 1}	GAFLPH37L	GAFLPH37	R/W	—	√	√	0000H
F0567H		GAFLPH37H			—	√		
F0566H	CAN receive buffer register 28BH ^{Note 2}	RMPTR28L	RMPTR28	R	—	√	√	0000H
F0567H		RMPTR28H			—	√		
F0568H	CAN receive rule entry register 38AL ^{Note 1}	GAFLIDL38L	GAFLIDL38	R/W	—	√	√	0000H
F0569H		GAFLIDL38H			—	√		
F0568H	CAN receive buffer register 28CL ^{Note 2}	RMDF028L	RMDF028	R	—	√	√	0000H
F0569H		RMDF028H			—	√		
F056AH	CAN receive rule entry register 38AH ^{Note 1}	GAFLIDH38L	GAFLIDH38	R/W	—	√	√	0000H
F056BH		GAFLIDH38H			—	√		
F056AH	CAN receive buffer register 28CH ^{Note 2}	RMDF128L	RMDF128	R	—	√	√	0000H
F056BH		RMDF128H			—	√		
F056CH	CAN receive rule entry register 38BL ^{Note 1}	GAFLML38L	GAFLML38	R/W	—	√	√	0000H
F056DH		GAFLML38H			—	√		
F056CH	CAN receive buffer register 28DL ^{Note 2}	RMDF228L	RMDF228	R	—	√	√	0000H
F056DH		RMDF228H			—	√		
F056EH	CAN receive rule entry register 38BH ^{Note 1}	GAFLMH38L	GAFLMH38	R/W	—	√	√	0000H
F056FH		GAFLMH38H			—	√		
F056EH	CAN receive buffer register 28DH ^{Note 2}	RMDF328L	RMDF328	R	—	√	√	0000H
F056FH		RMDF328H			—	√		
F0570H	CAN receive rule entry register 38CL ^{Note 1}	GAFLPL38L	GAFLPL38	R/W	—	√	√	0000H
F0571H		GAFLPL38H			—	√		
F0570H	CAN receive buffer register 29AL ^{Note 2}	RMIDL29L	RMIDL29	R	—	√	√	0000H
F0571H		RMIDL29H			—	√		
F0572H	CAN receive rule entry register 38CH ^{Note 1}	GAFLPH38L	GAFLPH38	R/W	—	√	√	0000H
F0573H		GAFLPH38H			—	√		
F0572H	CAN receive buffer register 29AH ^{Note 2}	RMIDH29L	RMIDH29	R	—	√	√	0000H
F0573H		RMIDH29H			—	√		
F0574H	CAN receive rule entry register 39AL ^{Note 1}	GAFLIDL39L	GAFLIDL39	R/W	—	√	√	0000H
F0575H		GAFLIDL39H			—	√		
F0574H	CAN receive buffer register 29BL ^{Note 2}	RMTS29L	RMTS29	R	—	√	√	0000H
F0575H		RMTS29H			—	√		

Notes 1. These registers are allocated to RAM window 0 for the CAN module (receive rules and CAN RAM test register). When setting these registers, set the RPAGE bit in the GRWCR register to 0.

2. These registers are allocated to RAM window 1 for the CAN module (receive buffer, receive FIFO buffer, transmit/receive FIFO buffer, transmit buffer, and transmit history data). When setting these registers, set the RPAGE bit in the GRWCR register to 1.

Table 18-3. List of CAN Module Registers (26/37)

Address	Special Function Register (SFR) Name	Symbol		R/W	Access Size			After Reset
					1 bit	8 bits	16 bits	
F0576H	CAN receive rule entry register 39AH ^{Note 1}	GAFLIDH39L	GAFLIDH39	R/W	—	√	√	0000H
F0577H		GAFLIDH39H			—	√		
F0576H	CAN receive buffer register 29BH ^{Note 2}	RMPTR29L	RMPTR29	R	—	√	√	0000H
F0577H		RMPTR29H			—	√		
F0578H	CAN receive rule entry register 39BL ^{Note 1}	GAFLML39L	GAFLML39	R/W	—	√	√	0000H
F0579H		GAFLML39H			—	√		
F0578H	CAN receive buffer register 29CL ^{Note 2}	RMDF029L	RMDF029	R	—	√	√	0000H
F0579H		RMDF029H			—	√		
F057AH	CAN receive rule entry register 39BH ^{Note 1}	GAFLMH39L	GAFLMH39	R/W	—	√	√	0000H
F057BH		GAFLMH39H			—	√		
F057AH	CAN receive buffer register 29CH ^{Note 2}	RMDF129L	RMDF129	R	—	√	√	0000H
F057BH		RMDF129H			—	√		
F057CH	CAN receive rule entry register 39CL ^{Note 1}	GAFLPL39L	GAFLPL39	R/W	—	√	√	0000H
F057DH		GAFLPL39H			—	√		
F057CH	CAN receive buffer register 29DL ^{Note 2}	RMDF229L	RMDF229	R	—	√	√	0000H
F057DH		RMDF229H			—	√		
F057EH	CAN receive rule entry register 39CH ^{Note 1}	GAFLPH39L	GAFLPH39	R/W	—	√	√	0000H
F057FH		GAFLPH39H			—	√		
F057EH	CAN receive buffer register 29DH ^{Note 2}	RMDF329L	RMDF329	R	—	√	√	0000H
F057FH		RMDF329H			—	√		
F0580H	CAN RAM test register 0 ^{Note 1}	RPGACC0L	RPGACC0	R/W	—	√	√	0000H
F0581H		RPGACC0H			—	√		
F0580H	CAN receive buffer register 30AL ^{Note 2}	RMIDL30L	RMIDL30	R	—	√	√	0000H
F0581H		RMIDL30H			—	√		
F0582H	CAN RAM test register 1 ^{Note 1}	RPGACC1L	RPGACC1	R/W	—	√	√	0000H
F0583H		RPGACC1H			—	√		
F0582H	CAN receive buffer register 30AH ^{Note 2}	RMIDH30L	RMIDH30	R	—	√	√	0000H
F0583H		RMIDH30H			—	√		
F0584H	CAN RAM test register 2 ^{Note 1}	RPGACC2L	RPGACC2	R/W	—	√	√	0000H
F0585H		RPGACC2H			—	√		
F0584H	CAN receive buffer register 30BL ^{Note 2}	RMTS30L	RMTS30	R	—	√	√	0000H
F0585H		RMTS30H			—	√		
F0586H	CAN RAM test register 3 ^{Note 1}	RPGACC3L	RPGACC3	R/W	—	√	√	0000H
F0587H		RPGACC3H			—	√		
F0586H	CAN receive buffer register 30BH ^{Note 2}	RMPTR30L	RMPTR30	R	—	√	√	0000H
F0587H		RMPTR30H			—	√		
F0588H	CAN RAM test register 4 ^{Note 1}	RPGACC4L	RPGACC4	R/W	—	√	√	0000H
F0589H		RPGACC4H			—	√		
F0588H	CAN receive buffer register 030CL ^{Note 2}	RMDF030L	RMDF030	R	—	√	√	0000H
F0589H		RMDF030H			—	√		
F058AH	CAN RAM test register 5 ^{Note 1}	RPGACC5L	RPGACC5	R/W	—	√	√	0000H
F058BH		RPGACC5H			—	√		
F058AH	CAN receive buffer register 130CH ^{Note 2}	RMDF130L	RMDF130	R	—	√	√	0000H
F058BH		RMDF130H			—	√		

Notes 1. These registers are allocated to RAM window 0 for the CAN module (receive rules and CAN RAM test register). When setting these registers, set the RPAGE bit in the GRWCR register to 0.

2. These registers are allocated to RAM window 1 for the CAN module (receive buffer, receive FIFO buffer, transmit/receive FIFO buffer, transmit buffer, and transmit history data). When setting these registers, set the RPAGE bit in the GRWCR register to 1.

Table 18-3. List of CAN Module Registers (27/37)

Address	Special Function Register (SFR) Name	Symbol		R/W	Access Size			After Reset
					1 bit	8 bits	16 bits	
F058CH	CAN RAM test register 6 ^{Note 1}	RPGACC6L	RPGACC6	R/W	—	√	√	0000H
F058DH		RPGACC6H			—	√		
F058CH	CAN receive buffer register 230DL ^{Note 2}	RMDF230L	RMDF230	R	—	√	√	0000H
F058DH		RMDF230H			—	√		
F058EH	CAN RAM test register 7 ^{Note 1}	RPGACC7L	RPGACC7	R/W	—	√	√	0000H
F058FH		RPGACC7H			—	√		
F058EH	CAN receive buffer register 330DH ^{Note 2}	RMDF330L	RMDF330	R	—	√	√	0000H
F058FH		RMDF330H			—	√		
F0590H	CAN RAM test register 8 ^{Note 1}	RPGACC8L	RPGACC8	R/W	—	√	√	0000H
F0591H		RPGACC8H			—	√		
F0590H	CAN receive buffer register 31AL ^{Note 2}	RMIDL31L	RMIDL31	R	—	√	√	0000H
F0591H		RMIDL31H			—	√		
F0592H	CAN RAM test register 9 ^{Note 1}	RPGACC9L	RPGACC9	R/W	—	√	√	0000H
F0593H		RPGACC9H			—	√		
F0592H	CAN receive buffer register 31AH ^{Note 2}	RMIDH31L	RMIDH31	R	—	√	√	0000H
F0593H		RMIDH31H			—	√		
F0594H	CAN RAM test register 10 ^{Note 1}	RPGACC10L	RPGACC10	R/W	—	√	√	0000H
F0595H		RPGACC10H			—	√		
F0594H	CAN receive buffer register 31BL ^{Note 2}	RMTS31L	RMTS31	R	—	√	√	0000H
F0595H		RMTS31H			—	√		
F0596H	CAN RAM test register 11 ^{Note 1}	RPGACC11L	RPGACC11	R/W	—	√	√	0000H
F0597H		RPGACC11H			—	√		
F0596H	CAN receive buffer register 31BH ^{Note 2}	RMPTR31L	RMPTR31	R	—	√	√	0000H
F0597H		RMPTR31H			—	√		
F0598H	CAN RAM test register 12 ^{Note 1}	RPGACC12L	RPGACC12	R/W	—	√	√	0000H
F0599H		RPGACC12H			—	√		
F0598H	CAN receive buffer register 031CL ^{Note 2}	RMDF031L	RMDF031	R	—	√	√	0000H
F0599H		RMDF031H			—	√		
F059AH	CAN RAM test register 13 ^{Note 1}	RPGACC13L	RPGACC13	R/W	—	√	√	0000H
F059BH		RPGACC13H			—	√		
F059AH	CAN receive buffer register 131CH ^{Note 2}	RMDF131L	RMDF131	R	—	√	√	0000H
F059BH		RMDF131H			—	√		
F059CH	CAN RAM test register 14 ^{Note 1}	RPGACC14L	RPGACC14	R/W	—	√	√	0000H
F059DH		RPGACC14H			—	√		
F059CH	CAN receive buffer register 231DL ^{Note 2}	RMDF231L	RMDF231	R	—	√	√	0000H
F059DH		RMDF231H			—	√		
F059EH	CAN RAM test register 15 ^{Note 1}	RPGACC15L	RPGACC15	R/W	—	√	√	0000H
F059FH		RPGACC15H			—	√		
F059EH	CAN receive buffer register 331DH ^{Note 2}	RMDF331L	RMDF331	R	—	√	√	0000H
F059FH		RMDF331H			—	√		
F05A0H	CAN RAM test register 16 ^{Note 1}	RPGACC16L	RPGACC16	R/W	—	√	√	0000H
F05A1H		RPGACC16H			—	√		
F05A0H	CAN receive FIFO access register 0AL ^{Note 2}	RFIDL0L	RFIDL0	R	—	√	√	0000H
F05A1H		RFIDL0H			—	√		

Notes 1. These registers are allocated to RAM window 0 for the CAN module (receive rules and CAN RAM test register). When setting these registers, set the RPAGE bit in the GRWCR register to 0.

2. These registers are allocated to RAM window 1 for the CAN module (receive buffer, receive FIFO buffer, transmit/receive FIFO buffer, transmit buffer, and transmit history data). When setting these registers, set the RPAGE bit in the GRWCR register to 1.

Table 18-3. List of CAN Module Registers (28/37)

Address	Special Function Register (SFR) Name	Symbol		R/W	Access Size			After Reset
					1 bit	8 bits	16 bits	
F05A2H	CAN RAM test register 17 ^{Note 1}	RPGACC17L	RPGACC17	R/W	—	√	√	0000H
F05A3H		RPGACC17H			—	√		
F05A2H	CAN receive FIFO access register 0AH ^{Note 2}	RFIDH0L	RFIDH0	R	—	√	√	0000H
F05A3H		RFIDH0H			—	√		
F05A4H	CAN RAM test register 18 ^{Note 1}	RPGACC18L	RPGACC18	R/W	—	√	√	0000H
F05A5H		RPGACC18H			—	√		
F05A4H	CAN receive FIFO access register 0BL ^{Note 2}	RFTS0L	RFTS0	R	—	√	√	0000H
F05A5H		RFTS0H			—	√		
F05A6H	CAN RAM test register 19 ^{Note 1}	RPGACC19L	RPGACC19	R/W	—	√	√	0000H
F05A7H		RPGACC19H			—	√		
F05A6H	CAN receive FIFO access register 0BH ^{Note 2}	RFPTR0L	RFPTR0	R	—	√	√	0000H
F05A7H		RFPTR0H			—	√		
F05A8H	CAN RAM test register 20 ^{Note 1}	RPGACC20L	RPGACC20	R/W	—	√	√	0000H
F05A9H		RPGACC20H			—	√		
F05A8H	CAN receive FIFO access register 0CL ^{Note 2}	RFDF00L	RFDF00	R	—	√	√	0000H
F05A9H		RFDF00H			—	√		
F05AAH	CAN RAM test register 21 ^{Note 1}	RPGACC21L	RPGACC21	R/W	—	√	√	0000H
F05ABH		RPGACC21H			—	√		
F05AAH	CAN receive FIFO access register 0CH ^{Note 2}	RFDF10L	RFDF10	R	—	√	√	0000H
F05ABH		RFDF10H			—	√		
F05ACH	CAN RAM test register 22 ^{Note 1}	RPGACC22L	RPGACC22	R/W	—	√	√	0000H
F05ADH		RPGACC22H			—	√		
F05ACH	CAN receive FIFO access register 0DL ^{Note 2}	RFDF20L	RFDF20	R	—	√	√	0000H
F05ADH		RFDF20H			—	√		
F05AEH	CAN RAM test register 23 ^{Note 1}	RPGACC23L	RPGACC23	R/W	—	√	√	0000H
F05AFH		RPGACC23H			—	√		
F05AEH	CAN receive FIFO access register 0DH ^{Note 2}	RFDF30L	RFDF30	R	—	√	√	0000H
F05AFH		RFDF30H			—	√		
F05B0H	CAN RAM test register 24 ^{Note 1}	RPGACC24L	RPGACC24	R/W	—	√	√	0000H
F05B1H		RPGACC24H			—	√		
F05B0H	CAN receive FIFO access register 1AL ^{Note 2}	RFIDL1L	RFIDL1	R	—	√	√	0000H
F05B1H		RFIDL1H			—	√		
F05B2H	CAN RAM test register 25 ^{Note 1}	RPGACC25L	RPGACC25	R/W	—	√	√	0000H
F05B3H		RPGACC25H			—	√		
F05B2H	CAN receive FIFO access register 1AH ^{Note 2}	RFIDH1L	RFIDH1	R	—	√	√	0000H
F05B3H		RFIDH1H			—	√		
F05B4H	CAN RAM test register 26 ^{Note 1}	RPGACC26L	RPGACC26	R/W	—	√	√	0000H
F05B5H		RPGACC26H			—	√		
F05B4H	CAN receive FIFO access register 1BL ^{Note 2}	RFTS1L	RFTS1	R	—	√	√	0000H
F05B5H		RFTS1H			—	√		
F05B6H	CAN RAM test register 27 ^{Note 1}	RPGACC27L	RPGACC27	R/W	—	√	√	0000H
F05B7H		RPGACC27H			—	√		
F05B6H	CAN receive FIFO access register 1BH ^{Note 2}	RFPTR1L	RFPTR1	R	—	√	√	0000H
F05B7H		RFPTR1H			—	√		

Notes 1. These registers are allocated to RAM window 0 for the CAN module (receive rules and CAN RAM test register). When setting these registers, set the RPAGE bit in the GRWCR register to 0.

2. These registers are allocated to RAM window 1 for the CAN module (receive buffer, receive FIFO buffer, transmit/receive FIFO buffer, transmit buffer, and transmit history data). When setting these registers, set the RPAGE bit in the GRWCR register to 1.

Table 18-3. List of CAN Module Registers (29/37)

Address	Special Function Register (SFR) Name	Symbol		R/W	Access Size			After Reset
					1 bit	8 bits	16 bits	
F05B8H	CAN RAM test register 28 ^{Note 1}	RPGACC28L	RPGACC28	R/W	—	√	√	0000H
F05B9H		RPGACC28H			—	√		
F05B8H	CAN receive FIFO access register 1CL ^{Note 2}	RFDF01L	RFDF01	R	—	√	√	0000H
F05B9H		RFDF01H			—	√		
F05BAH	CAN RAM test register 29 ^{Note 1}	RPGACC29L	RPGACC29	R/W	—	√	√	0000H
F05BBH		RPGACC29H			—	√		
F05BAH	CAN receive FIFO access register 1CH ^{Note 2}	RFDF11L	RFDF11	R	—	√	√	0000H
F05BBH		RFDF11H			—	√		
F05BCH	CAN RAM test register 30 ^{Note 1}	RPGACC30L	RPGACC30	R/W	—	√	√	0000H
F05BDH		RPGACC30H			—	√		
F05BCH	CAN receive FIFO access register 1DL ^{Note 2}	RFDF21L	RFDF21	R	—	√	√	0000H
F05BDH		RFDF21H			—	√		
F05BEH	CAN RAM test register 31 ^{Note 1}	RPGACC31L	RPGACC31	R/W	—	√	√	0000H
F05BFH		RPGACC31H			—	√		
F05BEH	CAN receive FIFO access register 1DH ^{Note 2}	RFDF31L	RFDF31	R	—	√	√	0000H
F05BFH		RFDF31H			—	√		
F05C0H	CAN RAM test register 32 ^{Note 1}	RPGACC32L	RPGACC32	R/W	—	√	√	0000H
F05C1H		RPGACC32H			—	√		
F05C0H	CAN receive FIFO access register 2AL ^{Note 2}	RFIDL2L	RFIDL2	R	—	√	√	0000H
F05C1H		RFIDL2H			—	√		
F05C2H	CAN RAM test register 33 ^{Note 1}	RPGACC33L	RPGACC33	R/W	—	√	√	0000H
F05C3H		RPGACC33H			—	√		
F05C2H	CAN receive FIFO access register 2AH ^{Note 2}	RFIDH2L	RFIDH2	R	—	√	√	0000H
F05C3H		RFIDH2H			—	√		
F05C4H	CAN RAM test register 34 ^{Note 1}	RPGACC34L	RPGACC34	R/W	—	√	√	0000H
F05C5H		RPGACC34H			—	√		
F05C4H	CAN receive FIFO access register 2BL ^{Note 2}	RFTS2L	RFTS2	R	—	√	√	0000H
F05C5H		RFTS2H			—	√		
F05C6H	CAN RAM test register 35 ^{Note 1}	RPGACC35L	RPGACC35	R/W	—	√	√	0000H
F05C7H		RPGACC35H			—	√		
F05C6H	CAN receive FIFO access register 2BH ^{Note 2}	RFPTR2L	RFPTR2	R	—	√	√	0000H
F05C7H		RFPTR2H			—	√		
F05C8H	CAN RAM test register 36 ^{Note 1}	RPGACC36L	RPGACC36	R/W	—	√	√	0000H
F05C9H		RPGACC36H			—	√		
F05C8H	CAN receive FIFO access register 2CL ^{Note 2}	RFDF02L	RFDF02	R	—	√	√	0000H
F05C9H		RFDF02H			—	√		
F05CAH	CAN RAM test register 37 ^{Note 1}	RPGACC37L	RPGACC37	R/W	—	√	√	0000H
F05CBH		RPGACC37H			—	√		
F05CAH	CAN receive FIFO access register 2CH ^{Note 2}	RFDF12L	RFDF12	R	—	√	√	0000H
F05CBH		RFDF12H			—	√		
F05CCH	CAN RAM test register 38 ^{Note 1}	RPGACC38L	RPGACC38	R/W	—	√	√	0000H
F05CDH		RPGACC38H			—	√		
F05CCH	CAN receive FIFO access register 2DL ^{Note 2}	RFDF22L	RFDF22	R	—	√	√	0000H
F05CDH		RFDF22H			—	√		

Notes 1. These registers are allocated to RAM window 0 for the CAN module (receive rules and CAN RAM test register). When setting these registers, set the RPAGE bit in the GRWCR register to 0.

2. These registers are allocated to RAM window 1 for the CAN module (receive buffer, receive FIFO buffer, transmit/receive FIFO buffer, transmit buffer, and transmit history data). When setting these registers, set the RPAGE bit in the GRWCR register to 1.

Table 18-3. List of CAN Module Registers (30/37)

Address	Special Function Register (SFR) Name	Symbol		R/W	Access Size			After Reset
					1 bit	8 bits	16 bits	
F05CEH	CAN RAM test register 39 ^{Note 1}	RPGACC39L	RPGACC39	R/W	—	√	√	0000H
F05CFH		RPGACC39H			—	√		
F05CEH	CAN receive FIFO access register 2DH ^{Note 2}	RFDF32L	RFDF32	R	—	√	√	0000H
F05CFH		RFDF32H			—	√		
F05D0H	CAN RAM test register 40 ^{Note 1}	RPGACC40L	RPGACC40	R/W	—	√	√	0000H
F05D1H		RPGACC40H			—	√		
F05D0H	CAN receive FIFO access register 3AL ^{Note 2}	RFIDL3L	RFIDL3	R	—	√	√	0000H
F05D1H		RFIDL3H			—	√		
F05D2H	CAN RAM test register 41 ^{Note 1}	RPGACC41L	RPGACC41	R/W	—	√	√	0000H
F05D3H		RPGACC41H			—	√		
F05D2H	CAN receive FIFO access register 3AH ^{Note 2}	RFIDH3L	RFIDH3	R	—	√	√	0000H
F05D3H		RFIDH3H			—	√		
F05D4H	CAN RAM test register 42 ^{Note 1}	RPGACC42L	RPGACC42	R/W	—	√	√	0000H
F05D5H		RPGACC42H			—	√		
F05D4H	CAN receive FIFO access register 3BL ^{Note 2}	RFTS3L	RFTS3	R	—	√	√	0000H
F05D5H		RFTS3H			—	√		
F05D6H	CAN RAM test register 43 ^{Note 1}	RPGACC43L	RPGACC43	R/W	—	√	√	0000H
F05D7H		RPGACC43H			—	√		
F05D6H	CAN receive FIFO access register 3BH ^{Note 2}	RFPTR3L	RFPTR3	R	—	√	√	0000H
F05D7H		RFPTR3H			—	√		
F05D8H	CAN RAM test register 44 ^{Note 1}	RPGACC44L	RPGACC44	R/W	—	√	√	0000H
F05D9H		RPGACC44H			—	√		
F05D8H	CAN receive FIFO access register 3CL ^{Note 2}	RFDF03L	RFDF03	R	—	√	√	0000H
F05D9H		RFDF03H			—	√		
F05DAH	CAN RAM test register 45 ^{Note 1}	RPGACC45L	RPGACC45	R/W	—	√	√	0000H
F05DBH		RPGACC45H			—	√		
F05DAH	CAN receive FIFO access register 3CH ^{Note 2}	RFDF13L	RFDF13	R	—	√	√	0000H
F05DBH		RFDF13H			—	√		
F05DCH	CAN RAM test register 46 ^{Note 1}	RPGACC46L	RPGACC46	R/W	—	√	√	0000H
F05DDH		RPGACC46H			—	√		
F05DCH	CAN receive FIFO access register 3DL ^{Note 2}	RFDF23L	RFDF23	R	—	√	√	0000H
F05DDH		RFDF23H			—	√		
F05DEH	CAN RAM test register 47 ^{Note 1}	RPGACC47L	RPGACC47	R/W	—	√	√	0000H
F05DFH		RPGACC47H			—	√		
F05DEH	CAN receive FIFO access register 3DH ^{Note 2}	RFDF33L	RFDF33	R	—	√	√	0000H
F05DFH		RFDF33H			—	√		
F05E0H	CAN RAM test register 48 ^{Note 1}	RPGACC48L	RPGACC48	R/W	—	√	√	0000H
F05E1H		RPGACC48H			—	√		
F05E0H	CAN0 transmit/receive FIFO access register 0AL ^{Note 2}	CFIDL0L	CFIDL0	R/W	—	√	√	0000H
F05E1H		CFIDL0H			—	√		
F05E2H	CAN RAM test register 49 ^{Note 1}	RPGACC49L	RPGACC49	R/W	—	√	√	0000H
F05E3H		RPGACC49H			—	√		
F05E2H	CAN0 transmit/receive FIFO access register 0AH ^{Note 2}	CFIDH0L	CFIDH0	R/W	—	√	√	0000H
F05E3H		CFIDH0H			—	√		

- Notes**
1. These registers are allocated to RAM window 0 for the CAN module (receive rules and CAN RAM test register). When setting these registers, set the RPAGE bit in the GRWCR register to 0.
 2. These registers are allocated to RAM window 1 for the CAN module (receive buffer, receive FIFO buffer, transmit/receive FIFO buffer, transmit buffer, and transmit history data). When setting these registers, set the RPAGE bit in the GRWCR register to 1.

Table 18-3. List of CAN Module Registers (31/37)

Address	Special Function Register (SFR) Name	Symbol		R/W	Access Size			After Reset
					1 bit	8 bits	16 bits	
F05E4H	CAN RAM test register 50 ^{Note 1}	RPGACC50L	RPGACC50	R/W	—	√	√	0000H
F05E5H		RPGACC50H			—	√		
F05E4H	CAN0 transmit/receive FIFO access register 0BL ^{Note 2}	CFTS0L	CFTS0	R	—	√	√	0000H
F05E5H		CFTS0H			—	√		
F05E6H	CAN RAM test register 51 ^{Note 1}	RPGACC51L	RPGACC51	R/W	—	√	√	0000H
F05E7H		RPGACC51H			—	√		
F05E6H	CAN0 transmit/receive FIFO access register 0BH ^{Note 2}	CFPTR0L	CFPTR0	R/W	—	√	√	0000H
F05E7H		CFPTR0H			—	√		
F05E8H	CAN RAM test register 52 ^{Note 1}	RPGACC52L	RPGACC52	R/W	—	√	√	0000H
F05E9H		RPGACC52H			—	√		
F05E8H	CAN0 transmit/receive FIFO access register 0CL ^{Note 2}	CFDF00L	CFDF00	R/W	—	√	√	0000H
F05E9H		CFDF00H			—	√		
F05EAH	CAN RAM test register 53 ^{Note 1}	RPGACC53L	RPGACC53	R/W	—	√	√	0000H
F05EBH		RPGACC53H			—	√		
F05EAH	CAN0 transmit/receive FIFO access register 0CH ^{Note 2}	CFDF10L	CFDF10	R/W	—	√	√	0000H
F05EBH		CFDF10H			—	√		
F05ECH	CAN RAM test register 54 ^{Note 1}	RPGACC54L	RPGACC54	R/W	—	√	√	0000H
F05EDH		RPGACC54H			—	√		
F05ECH	CAN0 transmit/receive FIFO access register 0DL ^{Note 2}	CFDF20L	CFDF20	R/W	—	√	√	0000H
F05EDH		CFDF20H			—	√		
F05EEH	CAN RAM test register 55 ^{Note 1}	RPGACC55L	RPGACC55	R/W	—	√	√	0000H
F05EFH		RPGACC55H			—	√		
F05EEH	CAN0 transmit/receive FIFO access register 0DH ^{Note 2}	CFDF30L	CFDF30	R/W	—	√	√	0000H
F05EFH		CFDF30H			—	√		
F05F0H	CAN RAM test register 56 ^{Note 1}	RPGACC56L	RPGACC56	R/W	—	√	√	0000H
F05F1H		RPGACC56H			—	√		
F05F0H	CAN1 transmit/receive FIFO access register 1AL ^{Note 2}	CFIDL1L	CFIDL1	R/W	—	√	√	0000H
F05F1H		CFIDL1H			—	√		
F05F2H	CAN RAM test register 57 ^{Note 1}	RPGACC57L	RPGACC57	R/W	—	√	√	0000H
F05F3H		RPGACC57H			—	√		
F05F2H	CAN1 transmit/receive FIFO access register 1AH ^{Note 2}	CFIDH1L	CFIDH1	R/W	—	√	√	0000H
F05F3H		CFIDH1H			—	√		
F05F4H	CAN RAM test register 58 ^{Note 1}	RPGACC58L	RPGACC58	R/W	—	√	√	0000H
F05F5H		RPGACC58H			—	√		
F05F4H	CAN1 transmit/receive FIFO access register 1BL ^{Note 2}	CFTS1L	CFTS1	R	—	√	√	0000H
F05F5H		CFTS1H			—	√		
F05F6H	CAN RAM test register 59 ^{Note 1}	RPGACC59L	RPGACC59	R/W	—	√	√	0000H
F05F7H		RPGACC59H			—	√		
F05F6H	CAN1 transmit/receive FIFO access register 1BH ^{Note 2}	CFPTR1L	CFPTR1	R/W	—	√	√	0000H
F05F7H		CFPTR1H			—	√		
F05F8H	CAN RAM test register 60 ^{Note 1}	RPGACC60L	RPGACC60	R/W	—	√	√	0000H
F05F9H		RPGACC60H			—	√		
F05F8H	CAN1 transmit/receive FIFO access register 1CL ^{Note 2}	CFDF01L	CFDF01	R/W	—	√	√	0000H
F05F9H		CFDF01H			—	√		

Notes 1. These registers are allocated to RAM window 0 for the CAN module (receive rules and CAN RAM test register). When setting these registers, set the RPAGE bit in the GRWCR register to 0.

2. These registers are allocated to RAM window 1 for the CAN module (receive buffer, receive FIFO buffer, transmit/receive FIFO buffer, transmit buffer, and transmit history data). When setting these registers, set the RPAGE bit in the GRWCR register to 1.

Table 18-3. List of CAN Module Registers (32/37)

Address	Special Function Register (SFR) Name	Symbol		R/W	Access Size			After Reset
					1 bit	8 bits	16 bits	
F05FAH	CAN RAM test register 61 ^{Note 1}	RPGACC61L	RPGACC61	R/W	—	√	√	0000H
F05FBH		RPGACC61H			—	√		
F05FAH	CAN1 transmit/receive FIFO access register 1CH ^{Note 2}	CFDF11L	CFDF11	R/W	—	√	√	0000H
F05FBH		CFDF11H			—	√		
F05FCH	CAN RAM test register 62 ^{Note 1}	RPGACC62L	RPGACC62	R/W	—	√	√	0000H
F05FDH		RPGACC62H			—	√		
F05FCH	CAN1 transmit/receive FIFO access register 1DL ^{Note 2}	CFDF21L	CFDF21	R/W	—	√	√	0000H
F05FDH		CFDF21H			—	√		
F05FEH	CAN RAM test register 63 ^{Note 1}	RPGACC63L	RPGACC63	R/W	—	√	√	0000H
F05FFH		RPGACC63H			—	√		
F05FEH	CAN1 transmit/receive FIFO access register 1DH ^{Note 2}	CFDF31L	CFDF31	R/W	—	√	√	0000H
F05FFH		CFDF31H			—	√		
F0600H	CAN RAM test register 64 ^{Note 1}	RPGACC64L	RPGACC64	R/W	—	√	√	0000H
F0601H		RPGACC64H			—	√		
F0600H	CAN0 transmit buffer register 0AL ^{Note 2}	TMIDL0L	TMIDL0	R/W	—	√	√	0000H
F0601H		TMIDL0H			—	√		
F0602H	CAN RAM test register 65 ^{Note 1}	RPGACC65L	RPGACC65	R/W	—	√	√	0000H
F0603H		RPGACC65H			—	√		
F0602H	CAN0 transmit buffer register 0AH ^{Note 2}	TMIDH0L	TMIDH0	R/W	—	√	√	0000H
F0603H		TMIDH0H			—	√		
F0604H	CAN RAM test register 66 ^{Note 1}	RPGACC66L	RPGACC66	R/W	—	√	√	0000H
F0605H		RPGACC66H			—	√		
F0606H	CAN RAM test register 67 ^{Note 1}	RPGACC67L	RPGACC67	R/W	—	√	√	0000H
F0607H		RPGACC67H			—	√		
F0606H	CAN0 transmit buffer register 0BH ^{Note 2}	TMPTR0L	TMPTR0	R/W	—	√	√	0000H
F0607H		TMPTR0H			—	√		
F0608H	CAN RAM test register 68 ^{Note 1}	RPGACC68L	RPGACC68	R/W	—	√	√	0000H
F0609H		RPGACC68H			—	√		
F0608H	CAN0 transmit buffer register 0CL ^{Note 2}	TMDF00L	TMDF00	R/W	—	√	√	0000H
F0609H		TMDF00H			—	√		
F060AH	CAN RAM test register 69 ^{Note 1}	RPGACC69L	RPGACC69	R/W	—	√	√	0000H
F060BH		RPGACC69H			—	√		
F060AH	CAN0 transmit buffer register 0CH ^{Note 2}	TMDF10L	TMDF10	R/W	—	√	√	0000H
F060BH		TMDF10H			—	√		
F060CH	CAN RAM test register 70 ^{Note 1}	RPGACC70L	RPGACC70	R/W	—	√	√	0000H
F060DH		RPGACC70H			—	√		
F060CH	CAN0 transmit buffer register 0DL ^{Note 2}	TMDF20L	TMDF20	R/W	—	√	√	0000H
F060DH		TMDF20H			—	√		
F060EH	CAN RAM test register 71 ^{Note 1}	RPGACC71L	RPGACC71	R/W	—	√	√	0000H
F060FH		RPGACC71H			—	√		
F060EH	CAN0 transmit buffer register 0DH ^{Note 2}	TMDF30L	TMDF30	R/W	—	√	√	0000H
F060FH		TMDF30H			—	√		

Notes 1. These registers are allocated to RAM window 0 for the CAN module (receive rules and CAN RAM test register). When setting these registers, set the RPAGE bit in the GRWCR register to 0.

2. These registers are allocated to RAM window 1 for the CAN module (receive buffer, receive FIFO buffer, transmit/receive FIFO buffer, transmit buffer, and transmit history data). When setting these registers, set the RPAGE bit in the GRWCR register to 1.

Table 18-3. List of CAN Module Registers (33/37)

Address	Special Function Register (SFR) Name	Symbol		R/W	Access Size			After Reset
					1 bit	8 bits	16 bits	
F0610H	CAN RAM test register 72 ^{Note 1}	RPGACC72L	RPGACC72	R/W	—	√	√	0000H
F0611H		RPGACC72H			—	√		
F0610H	CAN0 transmit buffer register 1AL ^{Note 2}	TMIDL1L	TMIDL1	R/W	—	√	√	0000H
F0611H		TMIDL1H			—	√		
F0612H	CAN RAM test register 73 ^{Note 1}	RPGACC73L	RPGACC73	R/W	—	√	√	0000H
F0613H		RPGACC73H			—	√		
F0612H	CAN0 transmit buffer register 1AH ^{Note 2}	TMIDH1L	TMIDH1	R/W	—	√	√	0000H
F0613H		TMIDH1H			—	√		
F0614H	CAN RAM test register 74 ^{Note 1}	RPGACC74L	RPGACC74	R/W	—	√	√	0000H
F0615H		RPGACC74H			—	√		
F0616H	CAN RAM test register 75 ^{Note 1}	RPGACC75L	RPGACC75	R/W	—	√	√	0000H
F0617H		RPGACC75H			—	√		
F0616H	CAN0 transmit buffer register 1BH ^{Note 2}	TMPTR1L	TMPTR1	R/W	—	√	√	0000H
F0617H		TMPTR1H			—	√		
F0618H	CAN RAM test register 76 ^{Note 1}	RPGACC76L	RPGACC76	R/W	—	√	√	0000H
F0619H		RPGACC76H			—	√		
F0618H	CAN0 transmit buffer register 1CL ^{Note 2}	TMDF01L	TMDF01	R/W	—	√	√	0000H
F0619H		TMDF01H			—	√		
F061AH	CAN RAM test register 77 ^{Note 1}	RPGACC77L	RPGACC77	R/W	—	√	√	0000H
F061BH		RPGACC77H			—	√		
F061AH	CAN0 transmit buffer register 1CH ^{Note 2}	TMDF11L	TMDF11	R/W	—	√	√	0000H
F061BH		TMDF11H			—	√		
F061CH	CAN RAM test register 78 ^{Note 1}	RPGACC78L	RPGACC78	R/W	—	√	√	0000H
F061DH		RPGACC78H			—	√		
F061CH	CAN0 transmit buffer register 1DL ^{Note 2}	TMDF21L	TMDF21	R/W	—	√	√	0000H
F061DH		TMDF21H			—	√		
F061EH	CAN RAM test register 79 ^{Note 1}	RPGACC79L	RPGACC79	R/W	—	√	√	0000H
F061FH		RPGACC79H			—	√		
F061EH	CAN0 transmit buffer register 1DH ^{Note 2}	TMDF31L	TMDF31	R/W	—	√	√	0000H
F061FH		TMDF31H			—	√		
F0620H	CAN RAM test register 80 ^{Note 1}	RPGACC80L	RPGACC80	R/W	—	√	√	0000H
F0621H		RPGACC80H			—	√		
F0620H	CAN0 transmit buffer register 2AL ^{Note 2}	TMIDL2L	TMIDL2	R/W	—	√	√	0000H
F0621H		TMIDL2H			—	√		
F0622H	CAN RAM test register 81 ^{Note 1}	RPGACC81L	RPGACC81	R/W	—	√	√	0000H
F0623H		RPGACC81H			—	√		
F0622H	CAN0 transmit buffer register 2AH ^{Note 2}	TMIDH2L	TMIDH2	R/W	—	√	√	0000H
F0623H		TMIDH2H			—	√		
F0624H	CAN RAM test register 82 ^{Note 1}	RPGACC82L	RPGACC82	R/W	—	√	√	0000H
F0625H		RPGACC82H			—	√		
F0626H	CAN RAM test register 83 ^{Note 1}	RPGACC83L	RPGACC83	R/W	—	√	√	0000H
F0627H		RPGACC83H			—	√		
F0626H	CAN0 transmit buffer register 2BH ^{Note 2}	TMPTR2L	TMPTR2	R/W	—	√	√	0000H
F0627H		TMPTR2H			—	√		

Notes 1. These registers are allocated to RAM window 0 for the CAN module (receive rules and CAN RAM test register). When setting these registers, set the RPAGE bit in the GRWCR register to 0.

2. These registers are allocated to RAM window 1 for the CAN module (receive buffer, receive FIFO buffer, transmit/receive FIFO buffer, transmit buffer, and transmit history data). When setting these registers, set the RPAGE bit in the GRWCR register to 1.

Table 18-3. List of CAN Module Registers (34/37)

Address	Special Function Register (SFR) Name	Symbol		R/W	Access Size			After Reset
					1 bit	8 bits	16 bits	
F0628H	CAN RAM test register 84 ^{Note 1}	RPGACC84L	RPGACC84	R/W	—	√	√	0000H
F0629H		RPGACC84H			—	√		
F0628H	CAN0 transmit buffer register 2CL ^{Note 2}	TMDF02L	TMDF02	R/W	—	√	√	0000H
F0629H		TMDF02H			—	√		
F062AH	CAN RAM test register 85 ^{Note 1}	RPGACC85L	RPGACC85	R/W	—	√	√	0000H
F062BH		RPGACC85H			—	√		
F062AH	CAN0 transmit buffer register 2CH ^{Note 2}	TMDF12L	TMDF12	R/W	—	√	√	0000H
F062BH		TMDF12H			—	√		
F062CH	CAN RAM test register 86 ^{Note 1}	RPGACC86L	RPGACC86	R/W	—	√	√	0000H
F062DH		RPGACC86H			—	√		
F062CH	CAN0 transmit buffer register 2DL ^{Note 2}	TMDF22L	TMDF22	R/W	—	√	√	0000H
F062DH		TMDF22H			—	√		
F062EH	CAN RAM test register 87 ^{Note 1}	RPGACC87L	RPGACC87	R/W	—	√	√	0000H
F062FH		RPGACC87H			—	√		
F062EH	CAN0 transmit buffer register 2DH ^{Note 2}	TMDF32L	TMDF32	R/W	—	√	√	0000H
F062FH		TMDF32H			—	√		
F0630H	CAN RAM test register 88 ^{Note 1}	RPGACC88L	RPGACC88	R/W	—	√	√	0000H
F0631H		RPGACC88H			—	√		
F0630H	CAN0 transmit buffer register 3AL ^{Note 2}	TMIDL3L	TMIDL3	R/W	—	√	√	0000H
F0631H		TMIDL3H			—	√		
F0632H	CAN RAM test register 89 ^{Note 1}	RPGACC89L	RPGACC89	R/W	—	√	√	0000H
F0633H		RPGACC89H			—	√		
F0632H	CAN0 transmit buffer register 3AH ^{Note 2}	TMIDH3L	TMIDH3	R/W	—	√	√	0000H
F0633H		TMIDH3H			—	√		
F0634H	CAN RAM test register 90 ^{Note 1}	RPGACC90L	RPGACC90	R/W	—	√	√	0000H
F0635H		RPGACC90H			—	√		
F0636H	CAN RAM test register 91 ^{Note 1}	RPGACC91L	RPGACC91	R/W	—	√	√	0000H
F0637H		RPGACC91H			—	√		
F0636H	CAN0 transmit buffer register 3BH ^{Note 2}	TMPTR3L	TMPTR3	R/W	—	√	√	0000H
F0637H		TMPTR3H			—	√		
F0638H	CAN RAM test register 92 ^{Note 1}	RPGACC92L	RPGACC92	R/W	—	√	√	0000H
F0639H		RPGACC92H			—	√		
F0638H	CAN0 transmit buffer register 3CL ^{Note 2}	TMDF03L	TMDF03	R/W	—	√	√	0000H
F0639H		TMDF03H			—	√		
F063AH	CAN RAM test register 93 ^{Note 1}	RPGACC93L	RPGACC93	R/W	—	√	√	0000H
F063BH		RPGACC93H			—	√		
F063AH	CAN0 transmit buffer register 3CH ^{Note 2}	TMDF13L	TMDF13	R/W	—	√	√	0000H
F063BH		TMDF13H			—	√		
F063CH	CAN RAM test register 94 ^{Note 1}	RPGACC94L	RPGACC94	R/W	—	√	√	0000H
F063DH		RPGACC94H			—	√		
F063CH	CAN0 transmit buffer register 3DL ^{Note 2}	TMDF23L	TMDF23	R/W	—	√	√	0000H
F063DH		TMDF23H			—	√		
F063EH	CAN RAM test register 95 ^{Note 1}	RPGACC95L	RPGACC95	R/W	—	√	√	0000H
F063FH		RPGACC95H			—	√		

Notes 1. These registers are allocated to RAM window 0 for the CAN module (receive rules and CAN RAM test register). When setting these registers, set the RPAGE bit in the GRWCR register to 0.

2. These registers are allocated to RAM window 1 for the CAN module (receive buffer, receive FIFO buffer, transmit/receive FIFO buffer, transmit buffer, and transmit history data). When setting these registers, set the RPAGE bit in the GRWCR register to 1.

Table 18-3. List of CAN Module Registers (35/37)

Address	Special Function Register (SFR) Name	Symbol		R/W	Access Size			After Reset
					1 bit	8 bits	16 bits	
F063EH	CAN0 transmit buffer register 3DH ^{Note 2}	TMDF33L	TMDF33	R/W	—	√	√	0000H
F063FH		TMDF33H			—	√		
F0640H	CAN RAM test register 96 ^{Note 1}	RPGACC96L	RPGACC96	R/W	—	√	√	0000H
F0641H		RPGACC96H			—	√		
F0640H	CAN1 transmit buffer register 4AL ^{Note 2}	TMIDL4L	TMIDL4	R/W	—	√	√	0000H
F0641H		TMIDL4H			—	√		
F0642H	CAN RAM test register 97 ^{Note 1}	RPGACC97L	RPGACC97	R/W	—	√	√	0000H
F0643H		RPGACC97H			—	√		
F0642H	CAN1 transmit buffer register 4AH ^{Note 2}	TMIDH4L	TMIDH4	R/W	—	√	√	0000H
F0643H		TMIDH4H			—	√		
F0644H	CAN RAM test register 98 ^{Note 1}	RPGACC98L	RPGACC98	R/W	—	√	√	0000H
F0645H		RPGACC98H			—	√		
F0646H	CAN RAM test register 99 ^{Note 1}	RPGACC99L	RPGACC99	R/W	—	√	√	0000H
F0647H		RPGACC99H			—	√		
F0646H	CAN1 transmit buffer register 4BH ^{Note 2}	TMPTR4L	TMPTR4	R/W	—	√	√	0000H
F0647H		TMPTR4H			—	√		
F0648H	CAN RAM test register 100 ^{Note 1}	RPGACC100L	RPGACC100	R/W	—	√	√	0000H
F0649H		RPGACC100H			—	√		
F0648H	CAN1 transmit buffer register 4CL ^{Note 2}	TMDF04L	TMDF04	R/W	—	√	√	0000H
F0649H		TMDF04H			—	√		
F064AH	CAN RAM test register 101 ^{Note 1}	RPGACC101L	RPGACC101	R/W	—	√	√	0000H
F064BH		RPGACC101H			—	√		
F064AH	CAN1 transmit buffer register 4CH ^{Note 2}	TMDF14L	TMDF14	R/W	—	√	√	0000H
F064BH		TMDF14H			—	√		
F064CH	CAN RAM test register 102 ^{Note 1}	RPGACC102L	RPGACC102	R/W	—	√	√	0000H
F064DH		RPGACC102H			—	√		
F064CH	CAN1 transmit buffer register 4DL ^{Note 2}	TMDF24L	TMDF24	R/W	—	√	√	0000H
F064DH		TMDF24H			—	√		
F064EH	CAN RAM test register 103 ^{Note}	RPGACC103L	RPGACC103	R/W	—	√	√	0000H
F064FH		RPGACC103H			—	√		
F064EH	CAN1 transmit buffer register 4DH ^{Note 2}	TMDF34L	TMDF34	R/W	—	√	√	0000H
F064FH		TMDF34H			—	√		
F0650H	CAN RAM test register 104 ^{Note}	RPGACC104L	RPGACC104	R/W	—	√	√	0000H
F0651H		RPGACC104H			—	√		
F0650H	CAN1 transmit buffer register 5AL ^{Note 2}	TMIDL5L	TMIDL5	R/W	—	√	√	0000H
F0651H		TMIDL5H			—	√		
F0652H	CAN RAM test register 105 ^{Note}	RPGACC105L	RPGACC105	R/W	—	√	√	0000H
F0653H		RPGACC105H			—	√		
F0652H	CAN1 transmit buffer register 5AH ^{Note 2}	TMIDH5L	TMIDH5	R/W	—	√	√	0000H
F0653H		TMIDH5H			—	√		
F0654H	CAN RAM test register 106 ^{Note}	RPGACC106L	RPGACC106	R/W	—	√	√	0000H
F0655H		RPGACC106H			—	√		
F0656H	CAN RAM test register 107 ^{Note}	RPGACC107L	RPGACC107	R/W	—	√	√	0000H
F0657H		RPGACC107H			—	√		
F0656H	CAN1 transmit buffer register 5BH ^{Note 2}	TMPTR5L	TMPTR5	R/W	—	√	√	0000H
F0657H		TMPTR5H			—	√		

Notes 1. These registers are allocated to RAM window 0 for the CAN module (receive rules and CAN RAM test register). When setting these registers, set the RPAGE bit in the GRWCR register to 0.

2. These registers are allocated to RAM window 1 for the CAN module (receive buffer, receive FIFO buffer, transmit/receive FIFO buffer, transmit buffer, and transmit history data). When setting these registers, set the RPAGE bit in the GRWCR register to 1.

Table 18-3. List of CAN Module Registers (36/37)

Address	Special Function Register (SFR) Name	Symbol		R/W	Access Size			After Reset
					1 bit	8 bits	16 bits	
F0658H	CAN RAM test register 108 ^{Note1}	RPGACC108L	RPGACC108	R/W	—	√	√	0000H
F0659H		RPGACC108H			—	√		
F0658H	CAN1 transmit buffer register 5CL ^{Note 2}	TMDF05L	TMDF05	R/W	—	√	√	0000H
F0659H		TMDF05H			—	√		
F065AH	CAN RAM test register 109 ^{Note1}	RPGACC109L	RPGACC109	R/W	—	√	√	0000H
F065BH		RPGACC109H			—	√		
F065AH	CAN1 transmit buffer register 5CH ^{Note 2}	TMDF15L	TMDF15	R/W	—	√	√	0000H
F065BH		TMDF15H			—	√		
F065CH	CAN RAM test register 110 ^{Note1}	RPGACC110L	RPGACC110	R/W	—	√	√	0000H
F065DH		RPGACC110H			—	√		
F065CH	CAN1 transmit buffer register 5DL ^{Note 2}	TMDF25L	TMDF25	R/W	—	√	√	0000H
F065DH		TMDF25H			—	√		
F065EH	CAN RAM test register 111 ^{Note1}	RPGACC111L	RPGACC111	R/W	—	√	√	0000H
F065FH		RPGACC111H			—	√		
F065EH	CAN1 transmit buffer register 5DH ^{Note 2}	TMDF35L	TMDF35	R/W	—	√	√	0000H
F065FH		TMDF35H			—	√		
F0660H	CAN RAM test register 112 ^{Note1}	RPGACC112L	RPGACC112	R/W	—	√	√	0000H
F0661H		RPGACC112H			—	√		
F0660H	CAN1 transmit buffer register 6AL ^{Note 2}	TMIDL6L	TMIDL6	R/W	—	√	√	0000H
F0661H		TMIDL6H			—	√		
F0662H	CAN RAM test register 113 ^{Note1}	RPGACC113L	RPGACC113	R/W	—	√	√	0000H
F0663H		RPGACC113H			—	√		
F0662H	CAN1 transmit buffer register 6AH ^{Note 2}	TMIDH6L	TMIDH6	R/W	—	√	√	0000H
F0663H		TMIDH6H			—	√		
F0664H	CAN RAM test register 114 ^{Note1}	RPGACC114L	RPGACC114	R/W	—	√	√	0000H
F0665H		RPGACC114H			—	√		
F0666H	CAN RAM test register 115 ^{Note1}	RPGACC115L	RPGACC115	R/W	—	√	√	0000H
F0667H		RPGACC115H			—	√		
F0666H	CAN1 transmit buffer register 6BH ^{Note 2}	TMPTR6L	TMPTR6	R/W	—	√	√	0000H
F0667H		TMPTR6H			—	√		
F0668H	CAN RAM test register 116 ^{Note1}	RPGACC116L	RPGACC116	R/W	—	√	√	0000H
F0669H		RPGACC116H			—	√		
F0668H	CAN1 transmit buffer register 6CL ^{Note 2}	TMDF06L	TMDF06	R/W	—	√	√	0000H
F0669H		TMDF06H			—	√		
F066AH	CAN RAM test register 117 ^{Note1}	RPGACC117L	RPGACC117	R/W	—	√	√	0000H
F066BH		RPGACC117H			—	√		
F066AH	CAN1 transmit buffer register 6CH ^{Note 2}	TMDF16L	TMDF16	R/W	—	√	√	0000H
F066BH		TMDF16H			—	√		
F066CH	CAN RAM test register 118 ^{Note1}	RPGACC118L	RPGACC118	R/W	—	√	√	0000H
F066DH		RPGACC118H			—	√		
F066CH	CAN1 transmit buffer register 6DL ^{Note 2}	TMDF26L	TMDF26	R/W	—	√	√	0000H
F066DH		TMDF26H			—	√		
F066EH	CAN RAM test register 119 ^{Note1}	RPGACC119L	RPGACC119	R/W	—	√	√	0000H
F066FH		RPGACC119H			—	√		
F066EH	CAN1 transmit buffer register 6DH ^{Note 2}	TMDF36L	TMDF36	R/W	—	√	√	0000H
F066FH		TMDF36H			—	√		

Notes 1. These registers are allocated to RAM window 0 for the CAN module (receive rules and CAN RAM test register). When setting these registers, set the RPAGE bit in the GRWCR register to 0.

2. These registers are allocated to RAM window 1 for the CAN module (receive buffer, receive FIFO buffer, transmit/receive FIFO buffer, transmit buffer, and transmit history data). When setting these registers, set the RPAGE bit in the GRWCR register to 1.

Table 18-3. List of CAN Module Registers (37/37)

Address	Special Function Register (SFR) Name	Symbol		R/W	Access Size			After Reset
					1 bit	8 bits	16 bits	
F0670H	CAN RAM test register 120 ^{Note}	RPGACC120L	RPGACC120	R/W	—	√	√	0000H
F0671H		RPGACC120H			—	√		
F0670H	CAN1 transmit buffer register 7AL ^{Note 2}	TMIDL7L	TMIDL7	R/W	—	√	√	0000H
F0671H		TMIDL7H			—	√		
F0672H	CAN RAM test register 121 ^{Note}	RPGACC121L	RPGACC121	R/W	—	√	√	0000H
F0673H		RPGACC121H			—	√		
F0672H	CAN1 transmit buffer register 7AH ^{Note 2}	TMIDH7L	TMIDH7	R/W	—	√	√	0000H
F0673H		TMIDH7H			—	√		
F0674H	CAN RAM test register 122 ^{Note}	RPGACC122L	RPGACC122	R/W	—	√	√	0000H
F0675H		RPGACC122H			—	√		
F0676H	CAN RAM test register 123 ^{Note}	RPGACC123L	RPGACC123	R/W	—	√	√	0000H
F0677H		RPGACC123H			—	√		
F0676H	CAN1 transmit buffer register 7BH ^{Note 2}	TMPTR7L	TMPTR7	R/W	—	√	√	0000H
F0677H		TMPTR7H			—	√		
F0678H	CAN RAM test register 124 ^{Note}	RPGACC124L	RPGACC124	R/W	—	√	√	0000H
F0679H		RPGACC124H			—	√		
F0678H	CAN1 transmit buffer register 7CL ^{Note 2}	TMDF07L	TMDF07	R/W	—	√	√	0000H
F0679H		TMDF07H			—	√		
F067AH	CAN RAM test register 125 ^{Note 1}	RPGACC125L	RPGACC125	R/W	—	√	√	0000H
F067BH		RPGACC125H			—	√		
F067AH	CAN1 transmit buffer register 7CH ^{Note 2}	TMDF17L	TMDF17	R/W	—	√	√	0000H
F067BH		TMDF17H			—	√		
F067CH	CAN RAM test register 126 ^{Note 1}	RPGACC126L	RPGACC126	R/W	—	√	√	0000H
F067DH		RPGACC126H			—	√		
F067CH	CAN1 transmit buffer register 7DL ^{Note 2}	TMDF27L	TMDF27	R/W	—	√	√	0000H
F067DH		TMDF27H			—	√		
F067EH	CAN RAM test register 127 ^{Note 1}	RPGACC127L	RPGACC127	R/W	—	√	√	0000H
F067FH		RPGACC127H			—	√		
F067EH	CAN1 transmit buffer register 7DH ^{Note 2}	TMDF37L	TMDF37	R/W	—	√	√	0000H
F067FH		TMDF37H			—	√		
F0680H	CAN0 transmit history buffer access register ^{Note 2}	THLACC0L	THLACC0	R	—	√	√	0000H
F0681H		THLACC0H			—	√		
F0684H	CAN1 transmit history buffer access register ^{Note 2}	THLACC1L	THLACC1	R	—	√	√	0000H
F0685H		THLACC1H			—	√		

Notes 1. These registers are allocated to RAM window 0 for the CAN module (receive rules and CAN RAM test register). When setting these registers, set the RPAGE bit in the GRWCR register to 0.

2. These registers are allocated to RAM window 1 for the CAN module (receive buffer, receive FIFO buffer, transmit/receive FIFO buffer, transmit buffer, and transmit history data). When setting these registers, set the RPAGE bit in the GRWCR register to 1.

18.3.1 CANi Bit Configuration Register L (CiCFGL) (i = 0, 1)

Address C0CFGL: F0300H, C1CFGL: F0310H

The CiCFGL register can be accessed in 16-bit units. In addition, the CiCFGL register can be accessed in 8-bit units as CiCFGLL, CiCFGLH register.



Bit	Symbol	Bit Name	Description	R/W
15 to 10	—	Reserved	These bits are always read as 0. The write value should always be 0.	R
9 to 0	BRP[9:0]	Prescaler Division Ratio Set	When these bits are set to P (0 to 1023), the baud rate prescaler divides f_{CAN} by P + 1.	R/W

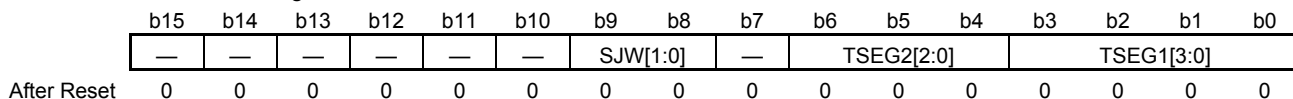
Modify the CiCFGL register only in channel reset mode or channel halt mode. Set this register in channel reset mode before making a transition to channel communication mode or channel halt mode. For setting bit timing, see **18.11 Initial Settings**.

- BRP[9:0] Bits
The CANi Tq clock (f_{CANTQi}) is obtained by the CAN clock (f_{CAN}) and setting the clock division ratio with the BRP[9:0] bits and one clock cycle of the CANi Tq clock is 1 Time Quantum (Tq).

18.3.2 CANi Bit Configuration Register H (CiCFGH) (i = 0, 1)

Address C0CFGH: F0302H, C1CFGH: F0312H

The CiCFGH register can be accessed in 16-bit units. In addition, the CiCFGH register can be accessed in 8-bit units as CiCFGHL, CiCFGHH register.



Bit	Symbol	Bit Name	Description	R/W																												
15 to 10	—	Reserved	These bits are always read as 0. The write value should always be 0.	R																												
9, 8	SJW[1:0]	Resynchronization Jump Width Control	<table style="width:100%; border: none;"> <tr> <td>b9</td><td>b8</td><td></td> </tr> <tr> <td>0</td><td>0</td><td>: 1 Tq</td> </tr> <tr> <td>0</td><td>1</td><td>: 2 Tq</td> </tr> <tr> <td>1</td><td>0</td><td>: 3 Tq</td> </tr> <tr> <td>1</td><td>1</td><td>: 4 Tq</td> </tr> </table>	b9	b8		0	0	: 1 Tq	0	1	: 2 Tq	1	0	: 3 Tq	1	1	: 4 Tq	R/W													
b9	b8																															
0	0	: 1 Tq																														
0	1	: 2 Tq																														
1	0	: 3 Tq																														
1	1	: 4 Tq																														
7	—	Reserved	This bit is always read as 0. The write value should always be 0.	R																												
6 to 4	TSEG2 [2:0]	Time Segment 2 Control	<table style="width:100%; border: none;"> <tr> <td>b6</td><td>b5</td><td>b4</td><td></td> </tr> <tr> <td>0</td><td>0</td><td>0</td><td>: Setting prohibited</td> </tr> <tr> <td>0</td><td>0</td><td>1</td><td>: 2 Tq</td> </tr> <tr> <td>0</td><td>1</td><td>0</td><td>: 3 Tq</td> </tr> <tr> <td>0</td><td>1</td><td>1</td><td>: 4 Tq</td> </tr> <tr> <td>1</td><td>0</td><td>0</td><td>: 5 Tq</td> </tr> <tr> <td>1</td><td>0</td><td>1</td><td>: 6 Tq</td> </tr> </table>	b6	b5	b4		0	0	0	: Setting prohibited	0	0	1	: 2 Tq	0	1	0	: 3 Tq	0	1	1	: 4 Tq	1	0	0	: 5 Tq	1	0	1	: 6 Tq	R/W
b6	b5	b4																														
0	0	0	: Setting prohibited																													
0	0	1	: 2 Tq																													
0	1	0	: 3 Tq																													
0	1	1	: 4 Tq																													
1	0	0	: 5 Tq																													
1	0	1	: 6 Tq																													

Bit	Symbol	Bit Name	Description	R/W
			1 1 0 : 7 Tq	
			1 1 1 : 8 Tq	
3 to 0	TSEG1 [3:0]	Time Segment 1 Control	b3 b2 b1 b0 0 0 0 0 : Setting prohibited 0 0 0 1 : Setting prohibited 0 0 1 0 : Setting prohibited 0 0 1 1 : 4 Tq 0 1 0 0 : 5 Tq 0 1 0 1 : 6 Tq 0 1 1 0 : 7 Tq 0 1 1 1 : 8 Tq 1 0 0 0 : 9 Tq 1 0 0 1 : 10 Tq 1 0 1 0 : 11 Tq 1 0 1 1 : 12 Tq 1 1 0 0 : 13 Tq 1 1 0 1 : 14 Tq 1 1 1 0 : 15 Tq 1 1 1 1 : 16 Tq	R/W

Modify the CiCFGH register only in channel reset mode or channel halt mode. Set this register in channel reset mode before making a transition to channel communication mode or channel halt mode. For setting bit timing, see **18.11 Initial Settings**.

- SJW[1:0] Bits
These bits are used to specify a Tq value for the resynchronization jump width. A value of 1 Tq to 4 Tq can be set. Set a value equal to or smaller than the value of the TSEG2 bits.
- TSEG2[2:0] Bits
These bits are used to specify a Tq value for the length of phase buffer segment 2 (PHASE_SEG2). A value of 2 Tq to 8 Tq can be set. Set a value smaller than the value of the TSEG1 bits.
- TSEG1[3:0] Bits
These bits are used to specify a Tq value for the total length of the propagation time segment (PROP_SEG) and phase buffer segment 1 (PHASE_SEG1). A value of 4 Tq to 16 Tq can be set.

18.3.3 CANi Control Register L (CiCTRL) (i = 0, 1)

Address C0CTRL: F0304H, C1CTRL: F0314H

The CiCTRL register can be accessed in 16-bit units. In addition, the CiCTRL register can be accessed in 8-bit units as CiCTRLLL, CiCTRLRH register.

b15	b14	b13	b12	b11	b10	b9	b8	b7	b6	b5	b4	b3	b2	b1	b0
ALIE	BLIE	OLIE	BORIE	BOEIE	EPIE	EWIE	BEIE	—	—	—	—	RTBO	CSLPR	CHMDC	[1:0]

After Reset 0 0 0 0 0 0 0 0 0 0 0 0 0 1 0 1

Bit	Symbol	Bit Name	Description	R/W
15	ALIE	Arbitration Lost Interrupt Enable	0: Arbitration lost interrupt is disabled. 1: Arbitration lost interrupt is enabled.	R/W
14	BLIE	Bus Lock Interrupt Enable	0: Bus lock interrupt is disabled. 1: Bus lock interrupt is enabled.	R/W
13	OLIE	Overload Frame Transmit Interrupt Enable	0: Overload frame transmit interrupt is disabled. 1: Overload frame transmit interrupt is enabled.	R/W
12	BORIE	Bus Off Recovery Interrupt Enable	0: Bus off recovery interrupt is disabled. 1: Bus off recovery interrupt is enabled.	R/W
11	BOEIE	Bus Off Entry Interrupt Enable	0: Bus off entry interrupt is disabled. 1: Bus off entry interrupt is enabled.	R/W
10	EPIE	Error Passive Interrupt Enable	0: Error passive interrupt is disabled. 1: Error passive interrupt is enabled.	R/W
9	EWIE	Error Warning Interrupt Enable	0: Error warning interrupt is disabled. 1: Error warning interrupt is enabled.	R/W
8	BEIE	Protocol Error Interrupt Enable	0: Protocol error interrupt is disabled. 1: Protocol error interrupt is enabled.	R/W
7 to 4	—	Reserved	These bits are always read as 0. The write value should always be 0.	R
3	RTBO	Forcible Return from Bus-off	When this bit is set to 1, forcible return from the bus off state is made. This bit is always read as 0.	R/W
2	CSLPR	Channel Stop Mode	0: Other than channel stop mode 1: Channel stop mode	R/W
1, 0	CHMDC [1:0]	Mode Select	b1 b0 0 0: Channel communication mode 0 1: Channel reset mode 1 0: Channel halt mode 1 1: Setting prohibited	R/W

- **ALIE Bit**
When the ALF flag in the CiERFLL register is set to 1 with the ALIE bit set to 1, an error interrupt request is generated. Modify this bit only in channel reset mode.
- **BLIE Bit**
When the BLF flag in the CiERFLL register is set to 1 with the BLIE bit set to 1, an error interrupt request is generated. Modify this bit only in channel reset mode.
- **OLIE Bit**
When the OVLF flag in the CiERFLL register is set to 1 with the OLIE bit set to 1, an error interrupt request is generated. Modify this bit only in channel reset mode.

- **BORIE Bit**
When the BORF flag in the CiERFLL register is set to 1 with the BORIE bit set to 1, an error interrupt request is generated. Modify this bit only in channel reset mode.
- **BOEIE Bit**
When the BOEF flag in the CiERFLL register is set to 1 with the BOEIE bit set to 1, an error interrupt request is generated. Modify this bit only in channel reset mode.
- **EPIE Bit**
When the EPF flag in the CiERFLL register is set to 1 with the EPIE bit set to 1, an error interrupt request is generated. Modify this bit only in channel reset mode.
- **EWIE Bit**
When the EWF flag in the CiERFLL register is set to 1 with the EWIE bit set to 1, an error interrupt request is generated. Modify this bit only in channel reset mode.
- **BEIE Bit**
When the BEF flag in the CiERFLL register is set to 1 with the BEIE bit set to 1, an error interrupt request is generated. Modify this bit only in channel reset mode.
- **RTBO Bit**
Setting this bit to 1 (forcible return from the bus off state) in the bus off state forcibly returns the state from the bus off state to the error active state. This bit is automatically cleared to 0. Setting this bit to 1 clears the TEC[7:0] and REC[7:0] bits in the CiSTSH register to H'00 and also clears the BOSTS flag in the CiSTSL register to 0 (not in bus off state). The other registers remain unchanged. No bus off recovery interrupt request due to return from the bus off state is generated. Use this bit only when the BOM[1:0] bits in the CiCTRH register are B'00 (ISO11898-1 compliant).
A delay of up to 1 CAN bit time occurs after the RTBO bit is set to 1 until the CAN module transitions to the error active state. Set this bit to 1 in channel communication mode.
- **CSLPR Bit**
Setting this bit to 1 places the channel in channel stop mode.
Clearing this bit to 0 makes the channel leave from channel stop mode.
Do not modify this bit while the CAN channel is in channel communication mode or channel halt mode.
- **CHMDC[1:0] Bits**
These bits are used to select a channel mode (channel communication mode, channel reset mode, or channel halt mode). For details, see **18.4.2 Channel Modes**. Setting the CSLPR bit to 1 in channel reset mode allows transition to channel stop mode. Do not set the CHMDC[1:0] bits to B'11. When the CAN module has transitioned to channel halt mode depending on the setting of the BOM[1:0] bits, the CHMDC[1:0] bits automatically becomes B'10.

18.3.4 CANi Control Register H (CiCTRH) (i = 0, 1)

Address C0CTRH: F0306H, C1CTRH: F0316H

The CiCTRH register can be accessed in 16-bit units. In addition, the CiCTRH register can be accessed in 8-bit units as CiCTRHL, CiCTRHH register.

	b15	b14	b13	b12	b11	b10	b9	b8	b7	b6	b5	b4	b3	b2	b1	b0
	—	—	—	—	—	CTMS[1:0]	CTME	ERRD	BOM[1:0]	—	—	—	—	—	—	TAIE
After Reset	0	0	0	0	0	0	0	0	0	0	0	0	0	0	0	0

Bit	Symbol	Bit Name	Description	R/W
15 to 11	—	Reserved	These bits are always read as 0. The write value should always be 0.	R
10, 9	CTMS[1:0]	Communication Test Mode Select	b10 b9 0 0: Standard test mode 0 1: Listen-only mode 1 0: Self-test mode 0 (external loopback mode) 1 1: Self-test mode 1 (internal loopback mode)	R/W
8	CTME	Communication Test Mode Enable	0: Communication test mode is disabled. 1: Communication test mode is enabled.	R/W
7	ERRD	Error Display Mode Select	0: Only the first error is indicated after bits 14 to 8 in the CiERFLL register have all been cleared. 1: The error flags of all errors are indicated.	R/W
6, 5	BOM[1:0]	Bus Off Recovery Mode Select	b6 b5 0 0: ISO11898-1 compliant 0 1: Entry to channel halt mode at bus-off entry 1 0: Entry to channel halt mode at bus-off end 1 1: Entry to channel halt mode (in the bus off state) by a program request	R/W
4 to 1	—	Reserved	These bits are always read as 0. The write value should always be 0.	R
0	TAIE	Transmit Abort Interrupt Enable	0: Transmit abort interrupt is disabled. 1: Transmit abort interrupt is enabled.	R/W

- **CTMS[1:0] Bits**
 These bits are used to select a communication test mode. Modify these bits only in channel halt mode. These bits are set to 0 in channel reset mode.
- **CTME Bit**
 Setting this bit to 1 enables communication test mode. Modify this bit only in channel halt mode. This bit is set to 0 in channel reset mode.
- **ERRD Bit**
 This bit is used to control display mode of bits 14 to 8 in the CiERFLL register.
 When this bit is clear to 0, only the flags of the first error are set to 1. If two or more errors occur first, all the flags of detected errors are set to 1.
 When this bit is set to 1, all the flags of errors that have occurred are set to 1 regardless of the error occurrence order. Modify this bit only in channel reset mode or channel halt mode.

- BOM[1:0] Bits

These bits are used to select a bus off recovery mode of the CAN module.

When the BOM[1:0] bits are set to B'00, return to the error active state from the bus off state is compliant with the CAN specifications. That is, the CAN module reenters the CAN communication (error active state) after 11 consecutive recessive bits are detected 128 times. A bus off recovery interrupt request is generated at the time of return from the bus off state. Even if the CHMDC[1:0] bits are set to B'10 (channel halt mode) before recessive bits are detected 128 times, the CAN module does not transition to channel halt mode until recessive bits are detected 128 times.

When the CAN module reaches the bus off state while the BOM[1:0] bits are set to B'01, the CHMDC[1:0] bits in the CiCTRL register are set to B'10 and the CAN module transitions to channel halt mode. No bus off recovery interrupt request is generated at the time of return from the bus off state and the TEC[7:0] and REC[7:0] bits in the CiSTSH register are cleared to H'00.

When the CAN module reaches the bus off state when the BOM[1:0] bits are set to B'10, the CHMDC[1:0] bits are set to B'10 and the CAN module transitions to channel halt mode after return from the bus off state (11 consecutive recessive bits are detected 128 times). A bus off recovery interrupt request is generated at the time of return from the bus off state and the TEC[7:0] and REC[7:0] bits are cleared to H'00.

When the BOM[1:0] bits are set to B'11 and the CHMDC[1:0] bits are set to B'10 while the CAN module is in the bus off state, the CAN module transitions to channel halt mode. No bus off recovery interrupt request is generated at the time of return from the bus off state and the TEC[7:0] and REC[7:0] bits are cleared to H'00. However, if 11 consecutive recessive bits are detected 128 times and the CAN module has recovered to the error active state from the bus off state before the CHMDC[1:0] bits are set to B'10, a bus off recovery interrupt request is generated.

If the CPU requests transition to channel reset mode at the same time when the CAN module transitions to channel halt mode (at bus off entry when the BOM[1:0] bits are B'01 or at bus off end when the BOM[1:0] bits are B'10), the CPU's request takes precedence. Modify these bits only in channel reset mode.

- TAIE Bit

When transmit abort of the transmit buffer is completed with the TAIE bit set to 1, an interrupt request is generated. Modify this bit only in channel reset mode.

18.3.5 CANi Status Register L (CiSTSL) (i = 0, 1)

Address COSTSL: F0308H, C1STSL: F0318H

The CiCTSL register can be accessed in 16-bit units. In addition, the CiCTSL register can be accessed in 8-bit units as CiCTSLL, CiCTSLH register.

	b15	b14	b13	b12	b11	b10	b9	b8	b7	b6	b5	b4	b3	b2	b1	b0
	—	—	—	—	—	—	—	—	COM STS	REC STS	TRM STS	BO STS	EP STS	CSLP STS	CHLT STS	CRST STS
After Reset	0	0	0	0	0	0	0	0	0	0	0	0	0	1	0	1

Bit	Symbol	Bit Name	Description	R/W
15 to 8	—	Reserved	These bits are always read as 0.	R
7	COMSTS	Communication Status Flag	0: Communication is not ready. 1: Communication is ready.	R
6	RECSTS	Receive Status Flag	0: Bus idle, in transmission or bus off state 1: In reception	R
5	TRMSTS	Transmit Status Flag	0: Bus idle or in reception 1: In transmission or bus off state	R
4	BOSTS	Bus Off Status Flag	0: Not in bus off state 1: In bus off state	R
3	EPSTS	Error Passive Status Flag	0: Not in error passive state 1: In error passive state	R
2	CSLPSTS	Channel Stop Status Flag	0: Not in channel stop mode 1: In channel stop mode	R
1	CHLTSTS	Channel Halt Status Flag	0: Not in channel halt mode 1: In channel halt mode	R
0	CRSTSTS	Channel Reset Status Flag	0: Not in channel reset mode 1: In channel reset mode	R

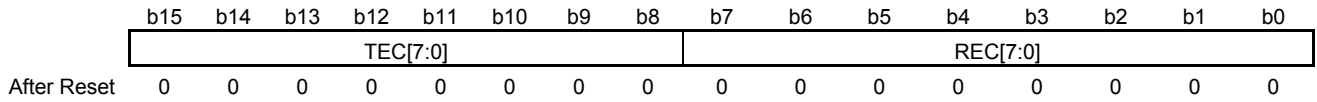
- COMSTS Flag**
This bit indicates that communication is ready.
This flag becomes 1 when the CAN module has detected 11 consecutive recessive bits after it has transitioned from channel reset mode or channel halt mode to channel communication mode. This flag is cleared to 0 in channel reset mode or channel halt mode.
- RECSTS Flag**
This flag is set to 1 when reception has started, and is cleared to 0 when the bus has become idle or transmission has started.
- TRMSTS Flag**
This flag is set to 1 when transmission has started, and is cleared to 0 when the bus has become idle or reception has started. This flag remains 1 in the bus off state.
- BOSTS Flag**
This flag is set to 1 when the CAN module has entered the bus off state (TEC[7:0] value > 255), and is cleared to 0 when the CAN module has exited the bus off state.
- EPSTS Flag**
This flag is set to 1 when the CAN module has entered the error passive state (128 ≤ TEC[7:0] value ≤ 255 or 128 ≤ REC[7:0] value), and is cleared to 0 when the CAN module has exited the error passive state or has entered channel reset mode.

- **CSLPSTS Flag**
This flag is set to 1 when the CAN module has transitioned to channel stop mode, and is cleared to 0 when the CAN module has returned from channel stop mode.
- **CHLTSTS Flag**
This flag is set to 1 when the CAN module has transitioned to channel halt mode, and is cleared to 0 when the CAN module has exited channel halt mode.
- **CRSTSTS Flag**
This flag is set to 1 when the CAN module has transitioned to channel reset mode, and is cleared to 0 when the CAN module has transitioned to channel communication mode or channel halt mode. This flag remains 1 even if the CAN module transitions from channel reset mode to channel stop mode.

18.3.6 CANi Status Register H (CiSTSH) (i = 0, 1)

Address C0STSH: F030AH, C1STSH: F031AH

The CiSTSH register can be accessed in 16-bit units. In addition, the CiSTSH register can be accessed in 8-bit units as CiSTSHL, CiSTSHH register.



Bit	Symbol	Description	Counter Value	R/W
15 to 8	TEC[7:0]	The transmit error counter (TEC) can be read.	—	R
7 to 0	REC[7:0]	The receive error counter (REC) can be read.	—	R

- **TEC[7:0] Bits**
 These bits indicate the transmit error counter value. For transmit error counter increment/decrement conditions, see the CAN specifications (ISO11898-1).
 These bits are cleared to 0 in channel reset mode.

- **REC[7:0] Bits**
 These bits indicate the receive error counter value. For receive error counter increment/decrement conditions, see the CAN specifications (ISO11898-1).
 These bits are cleared to 0 in channel reset mode.

18.3.7 CANi Error Flag Register L (CiERFLL) (i = 0, 1)

Address C0ERFLL: F030CH, C1ERFLL: F031CH

The CiERFLL register can be accessed in 16-bit units. In addition, the CiERFLL register can be accessed in 8-bit units as CiERFLLL, CiERFLLH register.

	b15	b14	b13	b12	b11	b10	b9	b8	b7	b6	b5	b4	b3	b2	b1	b0
	—	ADERR	B0ERR	B1ERR	CERR	AERR	FERR	SERR	ALF	BLF	OVLf	BORF	BOEF	EPF	EWf	BEF
After Reset	0	0	0	0	0	0	0	0	0	0	0	0	0	0	0	0

Bit	Symbol	Bit Name	Description	R/W
15	—	Reserved	This bit is always read as 0. The write value should always be 0.	R
14	ADERR	ACK Delimiter Error Flag	0: No ACK delimiter error is detected. 1: ACK delimiter error is detected.	R/(W) Note
13	B0ERR	Dominant Bit Error Flag	0: No dominant bit error is detected. 1: Dominant bit error is detected.	R/(W) Note
12	B1ERR	Recessive Bit Error Flag	0: No recessive bit error is detected. 1: Recessive bit error is detected.	R/(W) Note
11	CERR	CRC Error Flag	0: No CRC error is detected. 1: CRC error is detected.	R/(W) Note
10	AERR	ACK Error Flag	0: No ACK error is detected. 1: ACK error is detected.	R/(W) Note
9	FERR	Form Error Flag	0: No form error is detected. 1: Form error is detected.	R/(W) Note
8	SERR	Stuff Error Flag	0: No stuff error is detected. 1: Stuff error is detected.	R/(W) Note
7	ALF	Arbitration Lost Flag	0: No arbitration lost is detected. 1: Arbitration lost is detected.	R/(W) Note
6	BLF	Bus Lock Flag	0: No channel bus lock is detected. 1: Channel bus lock is detected.	R/(W) Note
5	OVLf	Overload Flag	0: No overload is detected. 1: Overload is detected.	R/(W) Note
4	BORF	Bus Off Recovery Flag	0: No bus off recovery is detected. 1: Bus off recovery is detected.	R/(W) Note
3	BOEF	Bus Off Entry Flag	0: No bus off entry is detected. 1: Bus off entry is detected.	R/(W) Note
2	EPF	Error Passive Flag	0: No error passive is detected. 1: Error passive is detected.	R/(W) Note
1	EWf	Error Warning Flag	0: No error warning is detected. 1: Error warning is detected.	R/(W) Note
0	BEF	Bus Error Flag	0: No channel bus error is detected. 1: Channel bus error is detected.	R/(W) Note

Note The only effective value for writing to this flag bit is 0, which clears the bit. Otherwise writing to the bit results in retention of its state. To write 0 to this flag bit, write by using an 8-bit data transfer instruction or a 16-bit data transfer instruction.

See the CAN specifications (ISO11898-1) if you want to check error occurrence conditions. To clear each flag of this register, write 0 by the program. These flags cannot be set to 1 by the program. If any of these flags is set to 1 at the timing when the program writes 0 to the flag, the flag is set to 1. Each flag is cleared to 0 in channel reset mode.

With respect to bits 14 to 8 in the CiERFLL register, if an error is detected with all flags of bits 14 to 8 set to 0 when the ERRD bit in the CiCTRH register is set to 0 (only the first error information is displayed), the corresponding flag is set to 1.

- **ADERR Flag**
This flag is set to 1 when a form error has been detected in the ACK delimiter during transmission.
- **B0ERR Flag**
This flag is set to 1 when a recessive bit has been detected though a dominant bit was transmitted.
- **B1ERR Flag**
This flag is set to 1 when a dominant bit has been detected though a recessive bit was transmitted.
- **CERR Flag**
This flag is set to 1 when a CRC error has been detected.
- **AERR Flag**
This flag is set to 1 when an ACK error has been detected.
- **FERR Flag**
This flag is set to 1 when a form error has been detected.
- **SERR Flag**
This flag is set to 1 when a stuff error has been detected.
- **ALF Flag**
This flag is set to 1 when an arbitration lost has been detected.
- **BLF Flag**
This flag is set to 1 when 32 consecutive dominant bits have been detected on the CAN bus in channel communication mode. After that, detection of the bus lock becomes possible again if either of the following conditions is met.
 - A recessive bit is detected after the BLF bit has been modified from 1 to 0.
 - The CAN module transitions to channel reset mode and returns to channel communication mode after the BLF bit has been modified from 1 to 0.
- **OVLf Flag**
This flag is set to 1 when the overload frame transmit condition has been detected when performing reception or transmission.

- **BORF Flag**

This flag is set to 1 when 11 consecutive recessive bits have been detected 128 times and the CAN module returns from the bus off state. However, this flag is not set to 1 if the CAN module returns from the bus off state in either of the following ways before 11 consecutive recessive bits are detected 128 times.

 - The CHMDC[1:0] bits in the CiCTRL register are set to B'01 (channel reset mode).
 - The RTBO bit in the CiCTRL register is set to 1 (forcible return from the bus off state is made).
 - The BOM[1:0] bits in the CiCTRH register are set to B'01 (transition to channel halt mode at bus off entry).
 - The CHMDC[1:0] bits in the CiCTRL register are set to B'10 (channel halt mode) before 11 consecutive recessive bits are detected 128 times with the BOM[1:0] bits set to B'11 (transition to channel halt mode upon a request from the program during bus off).

- **BOEF Flag**

This flag is set to 1 when the state becomes bus off state (TEC[7:0] value > 255). This flag is also set to 1 when the state becomes bus off state with the BOM[1:0] bits in the CiCTRH register set to B'01 (transition to channel halt mode at bus off entry).

- **EPF Flag**

This flag becomes 1 when the CAN module becomes error passive state (REC[7:0] or TEC[7:0] value > 127). This flag becomes 1 only when the REC[7:0] or TEC[7:0] value exceeds 127 for the first time. Therefore, if the program writes 0 to this flag with the REC[7:0] or TEC[7:0] value remaining over 127, this bit is not set to 1 until both REC [7:0] and TEC[7:0] values become 127 or less and then the REC[7:0] or TEC[7:0] value exceeds 127 again.

- **EWF Flag**

This flag is set to 1 only when the REC[7:0] or TEC[7:0] value exceeds 95 for the first time. Therefore, if the program writes 0 to this flag with the REC[7:0] or TEC[7:0] value remaining over 95, this bit is not set to 1 until both REC [7:0] and TEC[7:0] values become 95 or less and then the REC[7:0] or TEC[7:0] value exceeds 95 again.

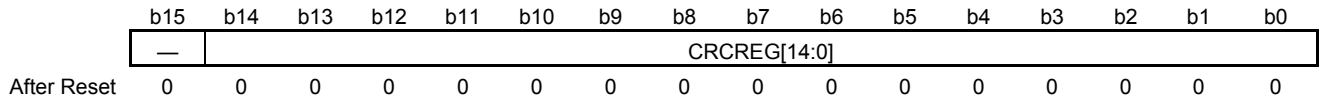
- **BEF Flag**

This flag is set to 1 when any one of the ADERR, B0ERR, B1ERR, CERR, AERR, FERR, and SERR flags in the CiERFLL register is set to 1.

18.3.8 CANi Error Flag Register H (CiERFLH) (i = 0, 1)

Address C0ERFLH: F030EH, C1ERFLH: F031EH

The CiERFLH register can be accessed in 16-bit units. In addition, the CiERFLH register can be accessed in 8-bit units as CiERFLHL, CiERFLHH register.



Bit	Symbol	Bit Name	Description	R/W
15	—	Reserved	This bit is always read as 0. The write value should always be 0.	R
14 to 0	CRCREG [14:0]	CRC Calculation Data	A CRC value calculated based on the transmit message or receive message is indicated.	R

- CRCREG[14:0] Bits

When the CTME bit in the CiCTRH register is set to 1 (communication test mode is enabled), the CRC value calculated based on the transmit or receive message can be read. When the CTME bit is set to 0 (communication test mode is disabled), these bits are always read as 0.

18.3.9 CAN Global Configuration Register L (GCFGL)

Address GCFGL: F0322H

The GCFGL register can be accessed in 16-bit units. In addition, the GCFGL register can be accessed in 8-bit units as GCFGLL, GCFGLH register.

	b15	b14	b13	b12	b11	b10	b9	b8	b7	b6	b5	b4	b3	b2	b1	b0
	—	—	—	TSSS	TSP[3:0]				—	—	—	DCS	MME	DRE	DCE	TPRI
After Reset	0	0	0	0	0	0	0	0	0	0	0	0	0	0	0	0

Bit	Symbol	Bit Name	Description	R/W																																																																																					
15 to 14	—	Reserved	These bits are always read as 0. The write value should always be 0.	R																																																																																					
13	TSBTCS	Timestamp Bit Time Channel Select	0: select clock from Channel 0 1: select clock from Channel 1	R/W																																																																																					
12	TSSS	Timestamp Clock Source Select	0: Clock obtained by frequency-dividing f_{CLK} by 2 ($f_{CLK}/2$) 1: CANi bit time clock	R/W																																																																																					
11 to 8	TSP[3:0]	Timestamp Clock Source Division	<table border="0"> <tr> <td>b11</td> <td>b10</td> <td>b9</td> <td>b8</td> <td></td> </tr> <tr> <td>0</td> <td>0</td> <td>0</td> <td>0</td> <td>: Not divided</td> </tr> <tr> <td>0</td> <td>0</td> <td>0</td> <td>1</td> <td>: Divided by 2</td> </tr> <tr> <td>0</td> <td>0</td> <td>1</td> <td>0</td> <td>: Divided by 4</td> </tr> <tr> <td>0</td> <td>0</td> <td>1</td> <td>1</td> <td>: Divided by 8</td> </tr> <tr> <td>0</td> <td>1</td> <td>0</td> <td>0</td> <td>: Divided by 16</td> </tr> <tr> <td>0</td> <td>1</td> <td>0</td> <td>1</td> <td>: Divided by 32</td> </tr> <tr> <td>0</td> <td>1</td> <td>1</td> <td>0</td> <td>: Divided by 64</td> </tr> <tr> <td>0</td> <td>1</td> <td>1</td> <td>1</td> <td>: Divided by 128</td> </tr> <tr> <td>1</td> <td>0</td> <td>0</td> <td>0</td> <td>: Divided by 256</td> </tr> <tr> <td>1</td> <td>0</td> <td>0</td> <td>1</td> <td>: Divided by 512</td> </tr> <tr> <td>1</td> <td>0</td> <td>1</td> <td>0</td> <td>: Divided by 1024</td> </tr> <tr> <td>1</td> <td>0</td> <td>1</td> <td>1</td> <td>: Divided by 2048</td> </tr> <tr> <td>1</td> <td>1</td> <td>0</td> <td>0</td> <td>: Divided by 4096</td> </tr> <tr> <td>1</td> <td>1</td> <td>0</td> <td>1</td> <td>: Divided by 8192</td> </tr> <tr> <td>1</td> <td>1</td> <td>1</td> <td>0</td> <td>: Divided by 16384</td> </tr> <tr> <td>1</td> <td>1</td> <td>1</td> <td>1</td> <td>: Divided by 32768</td> </tr> </table>	b11	b10	b9	b8		0	0	0	0	: Not divided	0	0	0	1	: Divided by 2	0	0	1	0	: Divided by 4	0	0	1	1	: Divided by 8	0	1	0	0	: Divided by 16	0	1	0	1	: Divided by 32	0	1	1	0	: Divided by 64	0	1	1	1	: Divided by 128	1	0	0	0	: Divided by 256	1	0	0	1	: Divided by 512	1	0	1	0	: Divided by 1024	1	0	1	1	: Divided by 2048	1	1	0	0	: Divided by 4096	1	1	0	1	: Divided by 8192	1	1	1	0	: Divided by 16384	1	1	1	1	: Divided by 32768	R/W
b11	b10	b9	b8																																																																																						
0	0	0	0	: Not divided																																																																																					
0	0	0	1	: Divided by 2																																																																																					
0	0	1	0	: Divided by 4																																																																																					
0	0	1	1	: Divided by 8																																																																																					
0	1	0	0	: Divided by 16																																																																																					
0	1	0	1	: Divided by 32																																																																																					
0	1	1	0	: Divided by 64																																																																																					
0	1	1	1	: Divided by 128																																																																																					
1	0	0	0	: Divided by 256																																																																																					
1	0	0	1	: Divided by 512																																																																																					
1	0	1	0	: Divided by 1024																																																																																					
1	0	1	1	: Divided by 2048																																																																																					
1	1	0	0	: Divided by 4096																																																																																					
1	1	0	1	: Divided by 8192																																																																																					
1	1	1	0	: Divided by 16384																																																																																					
1	1	1	1	: Divided by 32768																																																																																					
7 to 5	—	Reserved	These bits are always read as 0. The write value should always be 0.	R																																																																																					
4	DCS	CAN Clock Source Select	0: Clock obtained by frequency-dividing f_{CLK} by 2 ($f_{CLK}/2$) 1: X1 clock (fx)	R/W																																																																																					
3	MME	Mirror Function Enable	0: Mirror function is disabled. 1: Mirror function is enabled.	R/W																																																																																					
2	DRE	DLC Replacement Enable	0: DLC replacement is disabled. 1: DLC replacement is enabled.	R/W																																																																																					
1	DCE	DLC Check Enable	0: DLC check is disabled. 1: DLC check is enabled.	R/W																																																																																					
0	TPRI	Transmit Priority Select	0: ID priority 1: Transmit buffer number priority	R/W																																																																																					

Modify the GCFGL register only in global reset mode.

- TSBTCS Bit
This bit is used to select the bit time clock of a channel for the timestamp counter.
- TSSS Bit
This bit is used to select a clock source of the timestamp counter.

- **TSP[3:0] Bits**
The clock obtained by dividing the clock source (selected by the TSSS bit) by the TSP[3:0] value is the count source of the timestamp counter.
- **DCS Bit**
When this bit is set to 0, the clock obtained by frequency-dividing f_{CLK} by 2 ($f_{CLK}/2$) is used as the clock source of the CAN clock (f_{CAN}).
When this bit is set to 1, the X1 clock (f_X) is used as the clock source of the CAN clock. If the X1 clock (f_X) is selected, make the X1 clock (f_X) into the value below half^{Note 1, 2} of f_{CLK} .

Notes 1. In the case that the clock source of f_{CLK} is the high-speed on-chip oscillator clock(f_{IH}), or PLL clock of the high-speed on-chip oscillator clock as the clock source, set less than half of f_{CLK} to f_X .

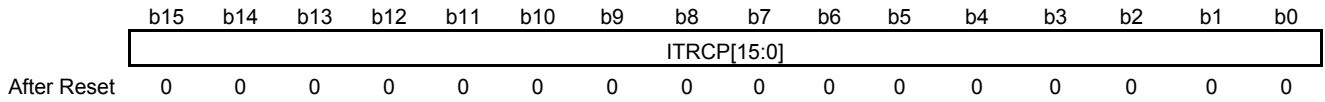
2. If the high-speed system clock is to be selected as f_{CLK} , do not select f_X as f_{CAN} .

- **MME Bit**
Setting this bit to 1 makes the mirror function available.
- **DRE Bit**
When the DRE bit is set to 1, the DLC value of the receive rule is stored in the buffer instead of the DLC value of the received message after the DLC value has passed through the DLC filter. In this case, a value of H'00 is stored in the data byte that exceeds the DLC value of the receive rule.
When the DCE bit is set to 1 (DLC check is enabled), the DLC replacement function is available.
- **DCE Bit**
Setting this bit to 1 makes the DLC check function available. Set the GAFLDLC[3:0] bits in the GAFLPHj register to B'0000 before clearing the DCE bit in the GCFGL register to 0.
- **TPRI Bit**
This bit is used to set the transmit priority.
When this bit is set to 0, ID priority is selected and the transmit priority complies with the CAN bus arbitration rule (ISO11898-1 specifications). When this bit is set to 1, transmit buffer number priority is selected and the minimum number of transmit buffer specified for transmission takes precedence.

18.3.10 CAN Global Configuration Register H (GCFGH)

Address GCFGH: F0324H

The GCFGH register can be accessed in 16-bit units. In addition, the GCFGH register can be accessed in 8-bit units as GCFGHL, GCFGHH register.



Bit	Symbol	Bit Name	Description	R/W
15-0	ITRCP[15:0]	Interval Timer Prescaler Set	If the set value is M, $f_{CLK}/2$ is frequency-divided by M. Setting H'0000 is prohibited, when the interval timer is in use.	R/W

Modify the GCFGH register only in global reset mode.

- ITRCP[15:0] Bits
 These bits are used to set a clock source division value of the interval timer for FIFO buffers. For details, see **18.6.3 (1) Interval Transmission Function**.

18.3.11 CAN Global Control Register L (GCTRL)

Address GCTRL: F0326H

The GCTRL register can be accessed in 16-bit units. In addition, the GCTRL register can be accessed in 8-bit units as GCTRLH, GCTRLH register.

b15	b14	b13	b12	b11	b10	b9	b8	b7	b6	b5	b4	b3	b2	b1	b0
—	—	—	—	—	THL EIE	MEIE	DEIE	—	—	—	—	—	GS LPR	GMDC[1:0]	

After Reset 0 0 0 0 0 0 0 0 0 0 0 0 0 1 0 1

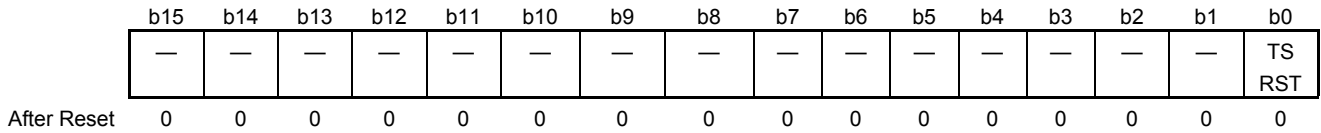
Bit	Symbol	Bit Name	Description	R/W															
15 to 11	—	Reserved	These bits are always read as 0. The write value should always be 0.	R															
10	THLEIE	Transmit History Buffer Overflow Interrupt Enable	0: Transmit history buffer overflow interrupt is disabled. 1: Transmit history buffer overflow interrupt is enabled.	R/W															
9	MEIE	FIFO Message Lost Interrupt Enable	0: FIFO message lost interrupt is disabled. 1: FIFO message lost interrupt is enabled.	R/W															
8	DEIE	DLC Error Interrupt Enable	0: DLC error interrupt is disabled. 1: DLC error interrupt is enabled.	R/W															
7 to 3	—	Reserved	These bits are always read as 0. The write value should always be 0.	R															
2	GSLPR	Global Stop Mode	0: Other than global stop mode 1: Global stop mode	R/W															
1, 0	GMDC[1:0]	Global Mode Select	<table border="0"> <tr> <td>b1</td><td>b0</td><td></td> </tr> <tr> <td>0</td><td>0</td><td>: Global operating mode</td> </tr> <tr> <td>0</td><td>1</td><td>: Global reset mode</td> </tr> <tr> <td>1</td><td>0</td><td>: Global test mode</td> </tr> <tr> <td>1</td><td>1</td><td>: Setting prohibited</td> </tr> </table>	b1	b0		0	0	: Global operating mode	0	1	: Global reset mode	1	0	: Global test mode	1	1	: Setting prohibited	R/W
b1	b0																		
0	0	: Global operating mode																	
0	1	: Global reset mode																	
1	0	: Global test mode																	
1	1	: Setting prohibited																	

- THLEIE Bit**
When the THLEIE bit is set to 1 and the THLES flag in the GERFLL register is set to 1, an interrupt request is generated. Modify this bit only in global reset mode.
- MEIE Bit**
When the MEIE bit is set to 1 and the MES flag in the GERFLL register is set to 1, an interrupt request is generated. Modify this bit only in global reset mode.
- DEIE Bit**
When the DEIE bit is set to 1 and the DEF flag in the GERFLL register is set to 1, an interrupt request is generated. Modify this bit only in global reset mode.
- GSLPR Bit**
Setting this bit to 1 places the CAN module in global stop mode.
Clearing this bit to 0 makes the CAN module leave from global stop mode.
Do not modify this bit while the CAN channel is in global operating mode or global test mode.
- GMDC[1:0] Bits**
These bits are used to select the mode of entire CAN module (global operating mode, global reset mode, or global test mode). For details, see **18.4.1 Global Modes**. Setting the GSLPR bit to 1 in global reset mode places the CAN module in global stop mode.

18.3.12 CAN Global Control Register H (GCTRH)

Address GCTRH: F0328H

The GCTRH register can be accessed in 16-bit units. In addition, the GCTRH register can be accessed in 8-bit units as GCTRHL, GCTRHH register.



Bit	Symbol	Bit Name	Description	R/W
15 to 1	—	Reserved	These bits are always read as 0. The write value should always be 0.	R
0	TSRST	Timestamp Counter Reset	Setting the TSRST bit to 1 resets the timestamp counter. This bit is always read as 0.	R/W

- **TSRST Bit**
 This bit is used to reset the timestamp counter. When this bit is set to 1, the GTSC register is cleared to H'0000.

18.3.13 CAN Global Status Register (GSTS)

Address GSTS: F032AH

The GSTS register can be accessed in 16-bit units. In addition, the GSTS register can be accessed in 8-bit units as GSTSL, GSTSH register.



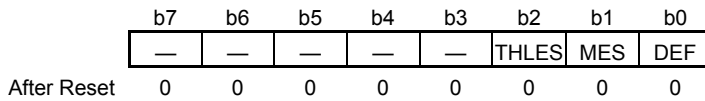
Bit	Symbol	Bit Name	Description	R/W
15 to 4	—	Reserved	These bits are always read as 0.	R
3	GRAMINIT	CAN RAM Initialization Status Flag	0: CAN RAM initialization is completed. 1: CAN RAM initialization is ongoing.	R
2	GSLPSTS	Global Stop Status Flag	0: Not in global stop mode 1: In global stop mode	R
1	GHLTSTS	Global Test Status Flag	0: Not in global test mode 1: In global test mode	R
0	GRSTSTS	Global Reset Status Flag	0: Not in global reset mode 1: In global reset mode	R

- **GRAMINIT Flag**
This flag indicates the initialization status of the CAN RAM.
This flag is set to 1 after the CAN module is enabled, and is cleared to 0 when CAN RAM initialization is completed.
- **GSLPSTS Flag**
This flag is set to 1 when the CAN module has transitioned to global stop mode, and is cleared to 0 when the CAN module has returned from global stop mode.
- **GHLTSTS Flag**
This flag is set to 1 when the CAN module has transitioned to global test mode, and is cleared to 0 when the CAN module has exited global test mode.
- **GRSTSTS Flag**
This flag is set to 1 when the CAN module has transitioned to global reset mode, and is cleared to 0 when the CAN module has exited global reset mode. This flag remains 1 even when the CAN module has transitioned from global reset mode to global stop mode.

18.3.14 CAN Global Error Flag Register (GERFLL)

Address GERFLL: F032CH

The GERFLL register can be accessed in 8-bit units.



Bit	Symbol	Bit Name	Description	R/W
7 to 3	—	Reserved	The read value is undefined. The write value should always be 0.	R
2	THLES	Transmit History Buffer Overflow Status Flag	0: No transmit history buffer overflow is present. 1: A transmit history buffer overflow is present.	R
1	MES	FIFO Message Lost Status Flag	0: No FIFO message lost error is present. 1: A FIFO message lost error is present.	R
0	DEF	DLC Error Flag	0: No DLC error is present. 1: A DLC error is present.	R/(W) <small>Note</small>

Note The only effective value for writing to this flag bit is 0, which clears the bit. Otherwise writing to the bit results in retention of its state. To write 0 to this flag bit, write by using an 8-bit data transfer instruction.

All flags in the GERFLL register are cleared to 0 in global reset mode.

- **THLES Flag**
The THLES flag is set to 1 when the THLELT flag in the THLSTSi register is set to 1. This flag is cleared to 0 when the THLELT flag is set to 0.
- **MES Flag**
The MES flag is set to 1 when any one of the RFMLT flags in the RFSTSm register (m = 0, 1) or the CFMLT flag in the CFSTSk register is set to 1. This flag is cleared to 0 when all RFMLT flags and the CFMLT flag are set to 0.
- **DEF Flag**
The DEF flag is set to 1 when an error has been detected during the DLC check. This flag can be cleared to 0 by writing 0 by the program.

18.3.15 CAN Global Transmit Interrupt Status Register (GTINTSTS)

Address GTINTSTS: F0388H

The GTINTSTS register can be accessed in 16-bit units. In addition, the GTINTSTS register can be accessed in 8-bit units as GTINTSTSL, GTINTSTSH register.

	b15	b14	b13	b12	b11	b10	b9	b8	b7	b6	b5	b4	b3	b2	b1	b0
	—	—	—	—	THIF1	CFTIF1	TAIF1	TSIF1	—	—	—	—	THIF0	CFTIF0	TAIF0	TSIF0
After Reset	0	0	0	0	0	0	0	0	0	0	0	0	0	0	0	0

Bit	Symbol	Bit Name	Description	R/W
15 to 12	—	Reserved	The read value is undefined. The write value should always be 0.	R
11	THIF1	CAN1 Transmit History Interrupt Status Flag	0: No transmit history interrupt request is present. 1: A transmit history interrupt request is present.	R
10	CFTIF1	CAN1 Transmit/Receive FIFO Interrupt Status Flag	0: No transmit/receive FIFO transmit interrupt request is present. 1: A transmit/receive FIFO transmit interrupt request is present.	R
9	TAIF1	CAN1 Transmit Buffer Abort Interrupt Status Flag	0: No transmit buffer abort interrupt request is present. 1: A transmit buffer abort interrupt request is present.	R
8	TSIF1	CAN1 Transmit Buffer Interrupt Status Flag	0: No transmit buffer transmit complete interrupt request is present. 1: A transmit buffer transmit complete interrupt request is present.	R
7 to 4	—	Reserved	The read value is undefined. The write value should always be 0.	R
3	THIF0	CAN0 Transmit History Interrupt Status Flag	0: No transmit history interrupt request is present. 1: A transmit history interrupt request is present.	R
2	CFTIF0	CAN0 Transmit/Receive FIFO Interrupt Status Flag	0: No transmit/receive FIFO transmit interrupt request is present. 1: A transmit/receive FIFO transmit interrupt request is present.	R
1	TAIF0	CAN0 Transmit Buffer Abort Interrupt Status Flag	0: No transmit buffer abort interrupt request is present. 1: A transmit buffer abort interrupt request is present.	R
0	TSIF0	CAN0 Transmit Buffer Interrupt Status Flag	0: No transmit buffer transmit complete interrupt request is present. 1: A transmit buffer transmit complete interrupt request is present.	R

All flags in the GTINTSTS register are cleared to 0 in global reset or channel reset mode.

- THIF0, THIF1 Flag
The THIF0, and THIF1 flags are set to 1 when the THLIE bit in the THLCCi register is set to 1 (enabling interrupts) and the THLIF flag in the THLSTSi register is set to 1 (interrupt request present). This flag is cleared to 0 when the THLIF flag is set to 0. This flag is also cleared to 0 when the THLIE bit is set to 0.
- CFTIF0, CFTIF1 Flag
The CFTIF0, and CFTIF1 flags are set to 1 when the CFTXIE bit in the CFCCLk register is set to 1 (enabling interrupts) and the CFTXIF flag in the CFSTSk register is set to 1 (interrupt request present). This flag is cleared to 0 when the CFTXIF flag is set to 0. This flag is also cleared to 0 when the CFTXIE bit is set to 0.

- TAIF0, TAIF1 Flag

The TAIF0, and TAIF1 flags are set to 1 when the TAIE bit in the CiCTRH register is set to 1 (enabling interrupts) and the TMTRF[1:0] flag in the TMSTSp register is set to B'01 (transmit abort has been completed).

This flag is cleared to 0 when the TMTRF[1:0] flag, which indicates that the abortion of transmission has been completed, is set to B'00.

- TSIF0, TSIF1 Flag

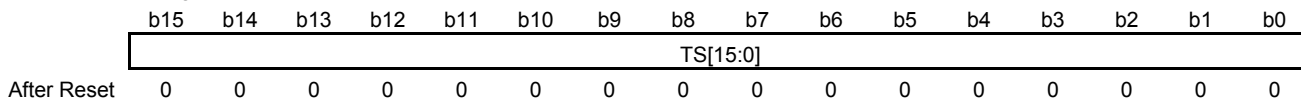
The TSIF0, and TSIF1 flags are set to 1 when the TMIEp bit in the TMIEC register is set to 1 (enabling interrupts) and the TMTRF[1:0] flag in the corresponding TMSTSp register is set to B'10 (transmission has been completed (without transmit abort request)) or B'11 (transmission has been completed (with transmit abort request)).

This flag is cleared to 0 when all TMTRF[1:0] flags that satisfy a condition for setting the TSIF0, and TSIF1 flags to 1 are set to B'00. This flag is also cleared to 0 when the TMIEp bit is set to 0.

18.3.16 CAN Timestamp Register (GTSC)

Address GTSC: F032EH

The GTSC register can be accessed in 16-bit units.



Bit	Symbol	Description	Counter Value	R/W
15 to 0	TS[15:0]	The timestamp counter value can be read.	H'0000 to H'FFFF	R

- **TS[15:0] Bits**
 When the TS[15:0] bits are read, the read value shows the timestamp counter (16-bit free-running counter) value at that time. The TS[15:0] value is captured when the SOF is detected and then stored in the receive buffer or the FIFO buffer. The timestamp counter is initialized in global reset mode.
 The timestamp counter start timing and stop timing depend on the count source.
 - When the TSSS value in the GCFGL register is 0 (the clock obtained by frequency-dividing f_{CLK} by 2 ($f_{CLK}/2$) is selected):
 The timestamp counter starts counting when the CAN module has transitioned to global operating mode.
 This counter stops counting when the CAN module has transitioned to global stop mode or global test mode.
 - When the TSSS value in the GCFGL register is 1 (CANi bit time clock is selected):
 The timestamp counter starts counting when the corresponding channel has transitioned to channel communication mode.
 This counter stops counting when the corresponding channel has transitioned to channel reset mode or channel halt mode.

18.3.17 CAN Receive Rule Number Configuration Register (GAFLCFG)

Address GAFLCFG: F0330H

The GAFLCFG register can be accessed in 16-bit units. In addition, the GAFLCFG register can be accessed in 8-bit units as GAFLCFGH, GAFLCFGH register.

	b15	b14	b13	b12	b11	b10	b9	b8	b7	b6	b5	b4	b3	b2	b1	b0
	—	—	RNC1[5:0]						—	—	RNC0[5:0]					
After Reset	0	0	0	0	0	0	0	0	0	0	0	0	0	0	0	0

Bit	Symbol	Bit Name	Description	R/W
15 to 14	—	Reserved	These bits are always read as 0.	R
13 to 8	RNC1[5:0]	CAN1 Receive Rule Number Set	Set the number of receive rules of channel 1. Set these bits to a value within a range of H'00 to H'28.	R/W
7 to 6	—	Reserved	These bits are always read as 0.	R
5 to 0	RNC0[5:0]	CAN0 Receive Rule Number Set	Set the number of receive rules of channel 0. Set these bits to a value within a range of H'00 to H'28.	R/W

Modify the GAFLCFG register only in global reset mode.

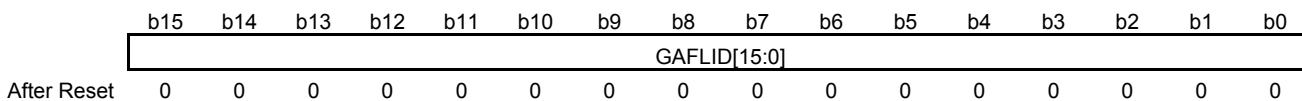
Up to 40 rules in two channels can be registered in the receive rule table.

- RNC_i[5:0] Bits (i = 0, 1)
These bits are used to set the number of rules to be registered in the channel i receive rule table.
Set these bits to a value within a range of H'00 to H'28.

18.3.18 CAN Receive Rule Entry Register jAL (GAFLIDLj) (j = 0 to 39)

Address GAFLIDL0: F03A0H, GAFLIDL1: F03ACH, GAFLIDL2: F03B8H, GAFLIDL3: F03C4H
 GAFLIDL4: F03D0H, GAFLIDL5: F03DCH, GAFLIDL6: F03E8H, GAFLIDL7: F03F4H
 GAFLIDL8: F0400H, GAFLIDL9: F040CH, GAFLIDL10: F0418H, GAFLIDL11: F0424H
 GAFLIDL12: F0430H, GAFLIDL13: F043CH, GAFLIDL14: F0448H, GAFLIDL15: F0454H
 GAFLIDL16: F0460H, GAFLIDL17: F046CH, GAFLIDL18: F0478H, GAFLIDL19: F0484H
 GAFLIDL20: F0490H, GAFLIDL21: F049CH, GAFLIDL22: F04A8H, GAFLIDL23: F04B4H
 GAFLIDL24: F04C0H, GAFLIDL25: F04CCH, GAFLIDL26: F04D8H, GAFLIDL27: F04E4H
 GAFLIDL28: F04F0H, GAFLIDL29: F04FCH, GAFLIDL30: F0508H, GAFLIDL31: F0514H
 GAFLIDL32: F0520H, GAFLIDL33: F052CH, GAFLIDL34: F0538H, GAFLIDL35: F0544H
 GAFLIDL36: F0550H, GAFLIDL37: F055CH, GAFLIDL38: F0568H, GAFLIDL39: F0574H

The GAFLIDLj register can be accessed in 16-bit units. In addition, the GAFLIDLj register can be accessed in 8-bit units as GAFLIDLjL, GAFLIDLjH register.



Bit	Symbol	Bit Name	Description	R/W
15 to 0	GAFLID[15:0]	ID Set L	Set the ID of the receive rule. For the standard ID, set the ID in bits 10 to 0 and set bits 15 to 11 to 0.	R/W

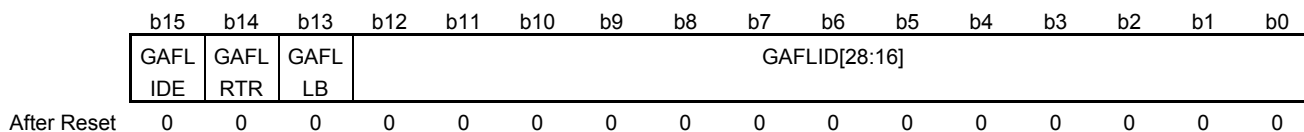
Modify the GAFLIDLj register only when the RPAGE bit in the GRWCR register is set to 0 in global reset mode.

- **GAFLID[15:0] Bits**
 These bits are used to set the ID field of the receive rule. The ID value set by these bits is compared with the ID in the received message during the acceptance filter processing.

18.3.19 CAN Receive Rule Entry Register jAH (GAFLIDHj) (j = 0 to 39)

Address GAFLIDH0: F03A2H, GAFLIDH1: F03AEH, GAFLIDH2: F03BAH, GAFLIDH3: F03C6H
 GAFLIDH4: F03D2H, GAFLIDH5: F03DEH, GAFLIDH6: F03EAH, GAFLIDH7: F03F6H
 GAFLIDH8: F0402H, GAFLIDH9: F040EH, GAFLIDH10: F041AH, GAFLIDH11: F0426H
 GAFLIDH12: F0432H, GAFLIDH13: F043EH, GAFLIDH14: F044AH, GAFLIDH15: F0456H
 GAFLIDH16: F0462H, GAFLIDH17: F046EH, GAFLIDH18: F047AH, GAFLIDH19: F0486H
 GAFLIDH20: F0492H, GAFLIDH21: F049EH, GAFLIDH22: F04AAH, GAFLIDH23: F04B6H
 GAFLIDH24: F04C2H, GAFLIDH25: F04CEH, GAFLIDH26: F04DAH, GAFLIDH27: F04E6H
 GAFLIDH28: F04F2H, GAFLIDH29: F04FEH, GAFLIDH30: F050AH, GAFLIDH31: F0516H
 GAFLIDH32: F0522H, GAFLIDH33: F052EH, GAFLIDH34: F053AH, GAFLIDH35: F0546H
 GAFLIDH36: F0552H, GAFLIDH37: F055EH, GAFLIDH38: F056AH, GAFLIDH39: F0576H

The GAFLIDHj register can be accessed in 16-bit units. In addition, the GAFLIDHj register can be accessed in 8-bit units as GAFLIDHjL, GAFLIDHjH register.



Bit	Symbol	Bit Name	Description	R/W
15	GAFLIDE	IDE Select	0: Standard ID 1: Extended ID	R/W
14	GAFLRTR	RTR Select	0: Data frame 1: Remote frame	R/W
13	GAFLLB	Receive Rule Target Message Select	0: When a message transmitted from another CAN node is received 1: When a message transmitted from own node is received	R/W
12 to 0	GAFLID[28:16]	ID Set H	Set the ID of the receive rule. For the standard ID, set these bits to 0.	R/W

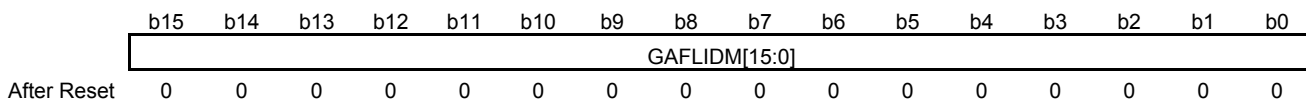
Modify the GAFLIDHj register only when the RPAGE bit in the GRWCR register is set to 0 in global reset mode.

- **GAFLIDE Bit**
This bit is used to select the ID format (standard ID or extended ID) of the receive rule. This bit is compared with the IDE bit in the received message during the acceptance filter processing.
- **GAFLRTR Bit**
This bit is used to select the frame format (data frame or remote frame) of the receive rule. This bit is compared with the RTR bit in the received message during the acceptance filter processing.
- **GAFLLB Bit**
When this bit is set to 0, data processing using the receive rule is performed when receiving messages transmitted from another CAN node.
When this bit is set to 1 when the mirror function is used, data processing using the receive rule is performed when receiving messages transmitted from the own CAN node.
- **GAFLID[28:16] Bits**
These bits are used to set the ID field of the receive rule. The ID value set by these bits is compared with the ID in the received message during the acceptance filter processing.

18.3.20 CAN Receive Rule Entry Register jBL (GAFLMLj) (j = 0 to 39)

Address GAFLML0: F03A4H, GAFLML1: F03B0H, GAFLML2: F03BCH, GAFLML3: F03C8H
 GAFLML4: F03D4H, GAFLML5: F03E0H, GAFLML6: F03ECH, GAFLML7: F03F8H
 GAFLML8: F0404H, GAFLML9: F0410H, GAFLML10: F041CH, GAFLML11: F0428H
 GAFLML12: F0434H, GAFLML13: F0440H, GAFLML14: F044CH, GAFLML15: F0458H
 GAFLML16: F0464H, GAFLML17: F0470H, GAFLML18: F047CH, GAFLML19: F0488H
 GAFLML20: F0494H, GAFLML21: F04A0H, GAFLML22: F04ACH, GAFLML23: F04B8H
 GAFLML24: F04C4H, GAFLML25: F04D0H, GAFLML26: F04DCH, GAFLML27: F04E8H
 GAFLML28: F04F4H, GAFLML29: F0500H, GAFLML30: F050CH, GAFLML31: F0518H
 GAFLML32: F0524H, GAFLML33: F0530H, GAFLML34: F053CH, GAFLML35: F0548H
 GAFLML36: F0554H, GAFLML37: F0560H, GAFLML38: F056CH, GAFLML39: F0578H

The GAFLMLj register can be accessed in 16-bit units. In addition, the GAFLMLj register can be accessed in 8-bit units as GAFLMLjL, GAFLMLjH register.



Bit	Symbol	Bit Name	Description	R/W
15 to 0	GAFLIDM [15:0]	ID Mask L	0: The corresponding ID bit is not compared. 1: The corresponding ID bit is compared.	R/W

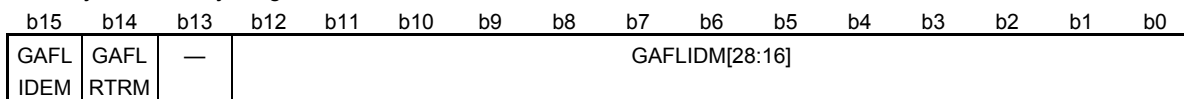
Modify the GAFLMLj register only when the RPAGE bit in the GRWCR register is set to 0 in global reset mode.

- GAFLIDM[15:0] Bits
 These bits are used to mask the corresponding ID bit of the receive rule.

18.3.21 CAN Receive Rule Entry Register jBH (GAFLMHj) (j = 0 to 39)

Address GAFLMH0: F03A6H, GAFLMH1: F03B2H, GAFLMH2: F03BEH, GAFLMH3: F03CAH
 GAFLMH4: F03D6H, GAFLMH5: F03E2H, GAFLMH6: F03EEH, GAFLMH7: F03FAH
 GAFLMH8: F0406H, GAFLMH9: F0412H, GAFLMH10: F041EH, GAFLMH11: F042AH
 GAFLMH12: F0436H, GAFLMH13: F0442H, GAFLMH14: F044EH, GAFLMH15: F045AH
 GAFLMH16: F0466H, GAFLMH17: F0472H, GAFLMH18: F047EH, GAFLMH19: F048AH
 GAFLMH20: F0496H, GAFLMH21: F04A2H, GAFLMH22: F04AEH, GAFLMH23: F04BAH
 GAFLMH24: F04C6H, GAFLMH25: F04D2H, GAFLMH26: F04DEH, GAFLMH27: F04EAH
 GAFLMH28: F04F6H, GAFLMH29: F0502H, GAFLMH30: F050EH, GAFLMH31: F051AH
 GAFLMH32: F0526H, GAFLMH33: F0532H, GAFLMH34: F053EH, GAFLMH35: F054AH
 GAFLMH36: F0556H, GAFLMH37: F0562H, GAFLMH38: F056EH, GAFLMH39: F057AH

The GAFLMHj register can be accessed in 16-bit units. In addition, the GAFLMHj register can be accessed in 8-bit units as GAFLMHjL, GAFLMHjH register.



After Reset 0 0 0 0 0 0 0 0 0 0 0 0 0 0 0 0

Bit	Symbol	Bit Name	Description	R/W
15	GAFLIDEM	IDE Mask	0: The IDE bit is not compared. 1: The IDE bit is compared.	R/W
14	GAFLRTRM	RTR Mask	0: The RTR bit is not compared. 1: The RTR bit is compared	R/W
13	—	Reserved	This bit is always read as 0. The write value should always be 0.	R
12 to 0	GAFLIDM [28:16]	ID Mask H	0: The corresponding ID bit is not compared. 1: The corresponding ID bit is compared.	R/W

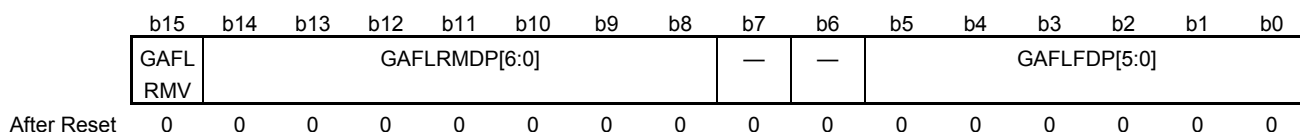
Modify the GAFLMHj register only when the RPAGE bit in the GRWCR register is set to 0 in global reset mode.

- **GAFLIDEM Bit**
 When this bit is set to 1, filter processing is performed only for messages of the ID format specified by the GAFLIDE bit in the GAFLIDHj register.
 When this bit is set to 0, it is regarded that all received messages have matched the specified ID format. To set the GAFLIDEM bit to 0, set the GAFLIDM[28:16] bits in the GAFLMHj register and the GAFLIDM[15:0] bits in the GAFLMLj register to all 0 at the same time.
- **GAFLRTRM Bit**
 This bit is used to mask the RTR bit of the receive rule.
- **GAFLIDM[28:16] Bits**
 These bits are used to mask the corresponding ID bit of the receive rule.

18.3.22 CAN Receive Rule Entry Register jCL (GAFLPLj) (j = 0 to 39)

Address GAFLPL0: F03A8H, GAFLPL1: F03B4H, GAFLPL2: F03C0H, GAFLPL3: F03CCH
 GAFLPL4: F03D8H, GAFLPL5: F03E4H, GAFLPL6: F03F0H, GAFLPL7: F03FCH
 GAFLPL8: F0408H, GAFLPL9: F0414H, GAFLPL10: F0420H, GAFLPL11: F042CH
 GAFLPL12: F0438H, GAFLPL13: F0444H, GAFLPL14: F0450H, GAFLPL15: F045CH
 GAFLPL16: F0468H, GAFLPL17: F0474H, GAFLPL18: F0480H, GAFLPL19: F048CH
 GAFLPL20: F0498H, GAFLPL21: F04A4H, GAFLPL22: F04B0H, GAFLPL23: F04BCH
 GAFLPL24: F04C8H, GAFLPL25: F04D4H, GAFLPL26: F04E0H, GAFLPL27: F04ECH
 GAFLPL28: F04F8H, GAFLPL29: F0504H, GAFLPL30: F0510H, GAFLPL31: F051CH
 GAFLPL32: F0528H, GAFLPL33: F0534H, GAFLPL34: F0540H, GAFLPL35: F054CH
 GAFLPL36: F0558H, GAFLPL37: F0564H, GAFLPL38: F0570H, GAFLPL39: F057CH

The GAFLPLj register can be accessed in 16-bit units. In addition, the GAFLPLj register can be accessed in 8-bit units as GAFLPLjL, GAFLPLjH register.



Bit	Symbol	Bit Name	Description	R/W
15	GAFLRMV	Receive Buffer Enable	0: No receive buffer is used. 1: A receive buffer is used.	R/W
14 to 8	GAFLRMDP [6:0]	Receive Buffer Number Select	Set the receive buffer number to store receive messages.	R/W
7, 6	—	Reserved	These bits are always read as 0. The write value should always be 0.	R
5	GAFLFDP5	CAN1 Transmit/Receive FIFO Buffer Select 1	0: Not select a CAN1 transmit/receive FIFO buffer 1 1: Select a CAN1 transmit/receive FIFO buffer 1	R/W
4	GAFLFDP4	CAN0 Transmit/Receive FIFO Buffer Select 0	0: Not select a CAN0 transmit/receive FIFO buffer 0 1: Select a CAN0 transmit/receive FIFO buffer 0	R/W
3	GAFLFDP3	Receive FIFO Buffer Select 3	0: Not select a receive FIFO buffer 3 1: Select a receive FIFO buffer 3	R/W
2	GAFLFDP2	Receive FIFO Buffer Select 2	0: Not select a receive FIFO buffer 2 1: Select a receive FIFO buffer 2	R/W
1	GAFLFDP1	Receive FIFO Buffer Select 1	0: Not select a receive FIFO buffer 1 1: Select a receive FIFO buffer 1	R/W
0	GAFLFDP0	Receive FIFO Buffer Select 0	0: Not select a receive FIFO buffer 0 1: Select a receive FIFO buffer 0	R/W

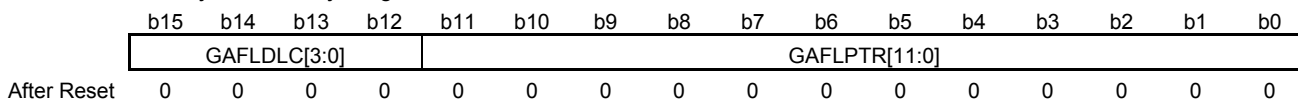
Modify the GAFLPLj register only when the RPAGE bit in the GRWCR register is set to 0 in global reset mode.

- **GAFLRMV Bit**
When this bit is set to 1, receive messages that have passed through the filter are stored in the receive buffer selected by the GAFLRMDP[6:0] bits.
- **GAFLRMDP[6:0] Bits**
These bits are used to select the number of the receive buffer that stores receive messages that have passed through the filter when the GAFLRMV bit is set to 1. Set these bits to a value smaller than the value set by the NRXMB[5:0] bits in the RMNB register.
- **GAFLFDP5, GAFLFDP4, GAFLFDP3, GAFLFDP2, GAFLFDP1, and GAFLFDP0 Bits**
These bits are used to specify FIFO buffers that store receive messages that have passed through the filter. Up to two FIFO buffers are selectable. However, when the GAFLRMV bit in the GAFLPLj register is set to 1 (a receive buffer is used), up to one FIFO buffer is selectable. Only receive FIFO buffers and the transmit/receive FIFO buffer for which the CFM[1:0] bits in the CFCCHK register are set to B'00 (receive mode) are selectable.

18.3.23 CAN Receive Rule Entry Register jCH (GAFLPHj) (j = 0 to 39)

Address GAFLPH0: F03AAH, GAFLPH1: F03B6H, GAFLPH2: F03C2H, GAFLPH3: F03CEH
 GAFLPH4: F03DAH, GAFLPH5: F03E6H, GAFLPH6: F03F2H, GAFLPH7: F03FEH
 GAFLPH8: F040AH, GAFLPH9: F0416H, GAFLPH10: F0422H, GAFLPH11: F042EH
 GAFLPH12: F043AH, GAFLPH13: F0446H, GAFLPH14: F0452H, GAFLPH15: F045EH
 GAFLPH16: F046AH, GAFLPH17: F0476H, GAFLPH18: F0482H, GAFLPH19: F048EH
 GAFLPH20: F049AH, GAFLPH21: F04A6H, GAFLPH22: F04B2H, GAFLPH23: F04BEH
 GAFLPH24: F04CAH, GAFLPH25: F04D6H, GAFLPH26: F04E2H, GAFLPH27: F04EEH
 GAFLPH28: F04FAH, GAFLPH29: F0506H, GAFLPH30: F0512H, GAFLPH31: F051EH
 GAFLPH32: F052AH, GAFLPH33: F0536H, GAFLPH34: F0542H, GAFLPH35: F054EH
 GAFLPH36: F055AH, GAFLPH37: F0566H, GAFLPH38: F0572H, GAFLPH39: F057EH

The GAFLPHj register can be accessed in 16-bit units. In addition, the GAFLPHj register can be accessed in 8-bit units as GAFLPHjL, GAFLPHjH register.



Bit	Symbol	Bit Name	Description	R/W																																																		
15 to 12	GAFLDLC [3:0]	Receive Rule DLC	<table style="width: 100%; border-collapse: collapse;"> <tr> <td style="width: 5%;">b15</td><td style="width: 5%;">b14</td><td style="width: 5%;">b13</td><td style="width: 5%;">b12</td><td style="width: 70%;"></td> </tr> <tr> <td>0</td><td>0</td><td>0</td><td>0</td><td>: DLC check is disabled.</td> </tr> <tr> <td>0</td><td>0</td><td>0</td><td>1</td><td>: 1 data byte</td> </tr> <tr> <td>0</td><td>0</td><td>1</td><td>0</td><td>: 2 data bytes</td> </tr> <tr> <td>0</td><td>0</td><td>1</td><td>1</td><td>: 3 data bytes</td> </tr> <tr> <td>0</td><td>1</td><td>0</td><td>0</td><td>: 4 data bytes</td> </tr> <tr> <td>0</td><td>1</td><td>0</td><td>1</td><td>: 5 data bytes</td> </tr> <tr> <td>0</td><td>1</td><td>1</td><td>0</td><td>: 6 data bytes</td> </tr> <tr> <td>0</td><td>1</td><td>1</td><td>1</td><td>: 7 data bytes</td> </tr> <tr> <td>1</td><td>x</td><td>x</td><td>x</td><td>: 8 data bytes</td> </tr> </table>	b15	b14	b13	b12		0	0	0	0	: DLC check is disabled.	0	0	0	1	: 1 data byte	0	0	1	0	: 2 data bytes	0	0	1	1	: 3 data bytes	0	1	0	0	: 4 data bytes	0	1	0	1	: 5 data bytes	0	1	1	0	: 6 data bytes	0	1	1	1	: 7 data bytes	1	x	x	x	: 8 data bytes	R/W
b15	b14	b13	b12																																																			
0	0	0	0	: DLC check is disabled.																																																		
0	0	0	1	: 1 data byte																																																		
0	0	1	0	: 2 data bytes																																																		
0	0	1	1	: 3 data bytes																																																		
0	1	0	0	: 4 data bytes																																																		
0	1	0	1	: 5 data bytes																																																		
0	1	1	0	: 6 data bytes																																																		
0	1	1	1	: 7 data bytes																																																		
1	x	x	x	: 8 data bytes																																																		
11 to 0	GAFLPTR [11:0]	Receive Rule Label	Set the 12-bit label information.	R/W																																																		

Modify the GAFLPHj register only when the RPAGE bit in the GRWCR register is set to 0 in global reset mode.

- **GAFLDLC[3:0] Bits**
 These bits are used to set the minimum data length necessary for receiving messages. If the data length of a message that is being filtered is equal to or larger than the value set by the GAFLDLC[3:0] bits, the message passes the DLC check. Setting these bits to B'0000 disables the DLC check function allowing messages with any data length to pass the DLC check.
- **GAFLPTR [11:0] Bits**
 These bits are used to set a 12-bit label to be attached to messages that have passed through the filter. A label is attached when a message is stored in the receive buffer or the FIFO buffer.

18.3.24 CAN Receive Buffer Number Configuration Register (RMNB)

Address RMNB: F0332H

The RMNB register can be accessed in 16-bit units. In addition, the RMNB register can be accessed in 8-bit units as RMNBL, RMNBH register.

	b15	b14	b13	b12	b11	b10	b9	b8	b7	b6	b5	b4	b3	b2	b1	b0
	—	—	—	—	—	—	—	—	—	—	NRXMB[5:0]					
After Reset	0	0	0	0	0	0	0	0	0	0	0	0	0	0	0	0

Bit	Symbol	Bit Name	Description	R/W
15 to 6	—	Reserved	These bits are always read as 0. The write value should always be 0.	R
5 to 0	NRXMB[5:0]	Receive Buffer Number Configuration	Set the number of receive buffers. Set a value of 0 to 32.	R/W

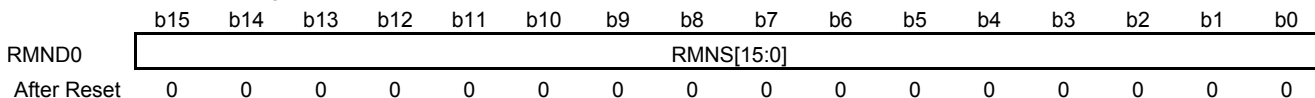
Modify the RMNB register only in global reset mode.

- NRXMB[5:0] Bits
These bits are used to set the total number of receive buffers of the CAN module.
The maximum value is 32.
Setting these bits to all 0 makes receive buffers unavailable.

18.3.25 CAN Receive Buffer Receive Complete Flag Register 0, 1 (RMND0, 1)

Address RMND0: F0334H

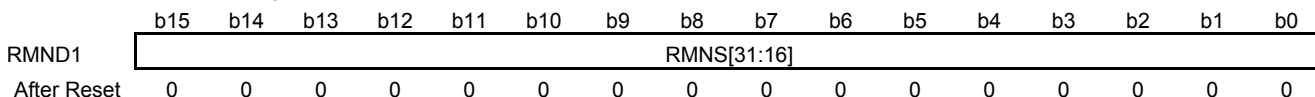
The RMND0 register can be accessed in 16-bit units. In addition, the RMND0 register can be accessed in 8-bit units as RMND0L, RMND0H register.



Bit	Symbol	Bit Name	Description	R/W
15 to 0	RMNS[15:0]	Receive Buffer Receive Complete Flag n	0: Receive buffer n contains no new message (n = 0 to 15). 1: Receive buffer n contains a new message.	R/W

Address RMND1: F0336H

The RMND1 register can be accessed in 16-bit units. In addition, the RMND1 register can be accessed in 8-bit units as RMND1L, RMND1H register.



Bit	Symbol	Bit Name	Description	R/W
15 to 0	RMNS[31:16]	Receive Buffer Receive Complete Flag n	0: Receive buffer n contains no new message (n = 16 to 31). 1: Receive buffer n contains a new message.	R/W

Write 0 to the RMND0, 1 register in global operating mode or global test mode.

- RMNS[31:0] Flags

Each RMNS flag is set to 1 when the processing for storing a message in the corresponding receive buffer starts.

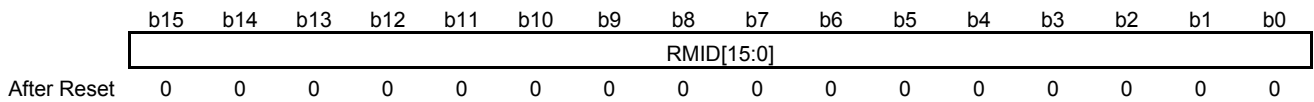
To clear these flags to 0, write 0 to the corresponding flag by the program. In this case, write 0 to bits to be cleared and write 1 to other bits by using an 8-bit or 16-bit data transfer instruction. These bits cannot be set to 0 while a message is being stored. It takes time of ten clock cycles of f_{CLK} for storing a message.

These flags are cleared to 0 in global reset mode.

18.3.26 CAN Receive Buffer Register nAL (RMIDLn) (n = 0 to 31)

Address RMIDL0: F03A0H, RMIDL1: F03B0H, RMIDL2: F03C0H, RMIDL3: F03D0H
 RMIDL4: F03E0H, RMIDL5: F03F0H, RMIDL6: F0400H, RMIDL7: F0410H
 RMIDL8: F0420H, RMIDL9: F0430H, RMIDL10: F0440H, RMIDL11: F0450H
 RMIDL12: F0460H, RMIDL13: F0470H, RMIDL14: F0480H, RMIDL15: F0490H
 RMIDL16: F04A0H, RMIDL17: F04B0H, RMIDL18: F04C0H, RMIDL19: F04D0H
 RMIDL20: F04E0H, RMIDL21: F04F0H, RMIDL22: F0500H, RMIDL23: F0510H
 RMIDL24: F0520H, RMIDL25: F0530H, RMIDL26: F0540H, RMIDL27: F0550H
 RMIDL28: F0560H, RMIDL29: F0570H, RMIDL30: F0580H, RMIDL31: F0590H

The RMIDLn register can be accessed in 16-bit units. In addition, the RMIDLn register can be accessed in 8-bit units as RMIDLnL, RMIDLnH register.



Bit	Symbol	Bit Name	Description	R/W
15 to 0	RMIDL[15:0]	Receive Buffer ID Data L	The standard ID or extended ID of received message can be read. Read bits 10 to 0 for standard ID. Bits 15 to 11 are read as 0.	R

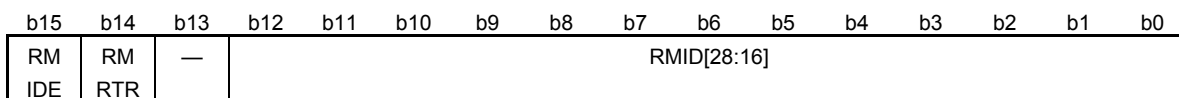
This register can be read when the RPAGE bit in the GRWCR register is 1.

- RMIDL[15:0] Bits
 These bits indicate the ID of the message stored in the receive buffer.

18.3.27 CAN Receive Buffer Register nAH (RMIDHn) (n = 0 to 31)

Address RMIDH0: F03A2H, RMIDH1: F03B2H, RMIDH2: F03C2H, RMIDH3: F03D2H
 RMIDH4: F03E2H, RMIDH5: F03F2H, RMIDH6: F0402H, RMIDH7: F0412H
 RMIDH8: F0422H, RMIDH9: F0432H, RMIDH10: F0442H, RMIDH11: F0452H
 RMIDH12: F0462H, RMIDH13: F0472H, RMIDH14: F0482H, RMIDH15: F0492H
 RMIDH16: F04A2H, RMIDH17: F04B2H, RMIDH18: F04C2H, RMIDH19: F04D2H
 RMIDH20: F04E2H, RMIDH21: F04F2H, RMIDH22: F0502H, RMIDH23: F0512H
 RMIDH24: F0522H, RMIDH25: F0532H, RMIDH26: F0542H, RMIDH27: F0552H
 RMIDH28: F0562H, RMIDH29: F0572H, RMIDH30: F0582H, RMIDH31: F0592H

The RMIDHn register can be accessed in 16-bit units. In addition, the RMIDHn register can be accessed in 8-bit units as RMIDHnL, RMIDHnH register.



After Reset 0 0 0 0 0 0 0 0 0 0 0 0 0 0 0 0

Bit	Symbol	Bit Name	Description	R/W
15	RMIDE	Receive Buffer IDE	0: Standard ID 1: Extended ID	R
14	RMRTR	Receive Buffer RTR	0: Data frame 1: Remote frame	R
13	—	Reserved	This bit is always read as 0.	R
12 to 0	RMID[28:16]	Receive Buffer ID Data H	The standard ID or extended ID of received message can be read. For standard ID, these bits are read as 0.	R

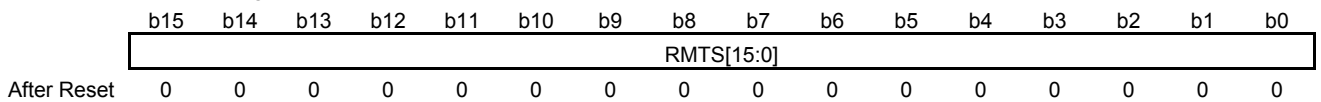
This register can be read when the RPAGE bit in the GRWCR register is 1.

- **RMIDE Bit**
This bit indicates the ID format (standard ID or extended ID) of the message stored in the receive buffer.
- **RMRTR Bit**
This bit indicates the frame format (data frame or remote frame) of the message stored in the receive buffer.
- **RMID[28:16] Bits**
These bits indicate the ID of the message stored in the receive buffer.

18.3.28 CAN Receive Buffer Register nBL (RMTSn) (n = 0 to 31)

Address RMTS0L: F03A4H, RMTS1: F03B4H, RMTS2: F03C4H, RMTS3: F03D4H
 RMTS4: F03E4H, RMTS5: F03F4H, RMTS6: F0404H, RMTS7: F0414H
 RMTS8: F0424H, RMTS9: F0434H, RMTS10: F0444H, RMTS11: F0454H
 RMTS12: F0464H, RMTS13: F0474H, RMTS14: F0484H, RMTS15: F0494H
 RMTS16: F04A4H, RMTS17: F04B4H, RMTS18: F04C4H, RMTS19: F04D4H
 RMTS20: F04E4H, RMTS21: F04F4H, RMTS22: F0504H, RMTS23: F0514H
 RMTS24: F0524H, RMTS25: F0534H, RMTS26: F0544H, RMTS27: F0554H
 RMTS28: F0564H, RMTS29: F0574H, RMTS30: F0584H, RMTS31: F0594H

The RMTSn register can be accessed in 16-bit units. In addition, the RMTSn register can be accessed in 8-bit units as RMTSnL, RMTSnH register.



Bit	Symbol	Bit Name	Description	R/W
15 to 0	RMTS[15:0]	Receive Buffer Timestamp Data	Timestamp value of the received message can be read.	R

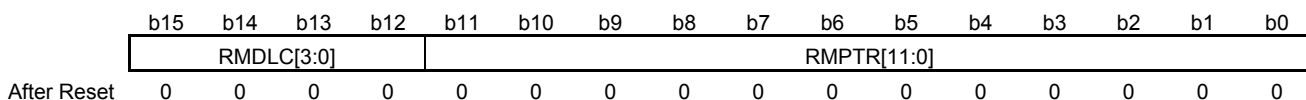
This register can be read when the RPAGE bit in the GRWCR register is 1.

- RMTS[15:0] Bits
 These bits indicate the timestamp value of the message stored in the receive buffer.

18.3.29 CAN Receive Buffer Register nBH (RMPTRn) (n = 0 to 31)

Address RMPTR0: F03A6H, RMPTR1: F03B6H, RMPTR2: F03C6H, RMPTR3: F03D6H
 RMPTR4: F03E6H, RMPTR5: F03F6H, RMPTR6: F0406H, RMPTR7: F0416H
 RMPTR8: F0426H, RMPTR9: F0436H, RMPTR10: F0446H, RMPTR11: F0456H
 RMPTR12: F0466H, RMPTR13: F0476H, RMPTR14: F0486H, RMPTR15: F0496H
 RMPTR16: F04A6H, RMPTR17: F04B6H, RMPTR18: F04C6H, RMPTR19: F04D6H
 RMPTR20: F04E6H, RMPTR21: F04F6H, RMPTR22: F0506H, RMPTR23: F0516H
 RMPTR24: F0526H, RMPTR25: F0536H, RMPTR26: F0546H, RMPTR27: F0556H
 RMPTR28: F0566H, RMPTR29: F0576H, RMPTR30: F0586H, RMPTR31: F0596H

The RMPTRn register can be accessed in 16-bit units. In addition, the RMPTRn register can be accessed in 8-bit units as RMPTRnL, RMPTRnH register.



Bit	Symbol	Bit Name	Description	R/W																																																												
15 to 12	RMDLC[3:0]	Receive Buffer DLC Data	<table style="width: 100%; border-collapse: collapse;"> <tr> <td style="width: 5%;">b15</td> <td style="width: 5%;">b14</td> <td style="width: 5%;">b13</td> <td style="width: 5%;">b12</td> <td style="width: 5%;"></td> <td style="width: 5%;"></td> </tr> <tr> <td>0</td> <td>0</td> <td>0</td> <td>0</td> <td>:</td> <td>0 data bytes</td> </tr> <tr> <td>0</td> <td>0</td> <td>0</td> <td>1</td> <td>:</td> <td>1 data byte</td> </tr> <tr> <td>0</td> <td>0</td> <td>1</td> <td>0</td> <td>:</td> <td>2 data bytes</td> </tr> <tr> <td>0</td> <td>0</td> <td>1</td> <td>1</td> <td>:</td> <td>3 data bytes</td> </tr> <tr> <td>0</td> <td>1</td> <td>0</td> <td>0</td> <td>:</td> <td>4 data bytes</td> </tr> <tr> <td>0</td> <td>1</td> <td>0</td> <td>1</td> <td>:</td> <td>5 data bytes</td> </tr> <tr> <td>0</td> <td>1</td> <td>1</td> <td>0</td> <td>:</td> <td>6 data bytes</td> </tr> <tr> <td>0</td> <td>1</td> <td>1</td> <td>1</td> <td>:</td> <td>7 data bytes</td> </tr> <tr> <td>1</td> <td>X</td> <td>X</td> <td>X</td> <td>:</td> <td>8 data bytes</td> </tr> </table>	b15	b14	b13	b12			0	0	0	0	:	0 data bytes	0	0	0	1	:	1 data byte	0	0	1	0	:	2 data bytes	0	0	1	1	:	3 data bytes	0	1	0	0	:	4 data bytes	0	1	0	1	:	5 data bytes	0	1	1	0	:	6 data bytes	0	1	1	1	:	7 data bytes	1	X	X	X	:	8 data bytes	R
b15	b14	b13	b12																																																													
0	0	0	0	:	0 data bytes																																																											
0	0	0	1	:	1 data byte																																																											
0	0	1	0	:	2 data bytes																																																											
0	0	1	1	:	3 data bytes																																																											
0	1	0	0	:	4 data bytes																																																											
0	1	0	1	:	5 data bytes																																																											
0	1	1	0	:	6 data bytes																																																											
0	1	1	1	:	7 data bytes																																																											
1	X	X	X	:	8 data bytes																																																											
11 to 0	RMPTR [11:0]	Receive Buffer Label Data	Label information of the received message can be read.	R																																																												

This register can be read when the RPAGE bit in the GRWCR register is 1.

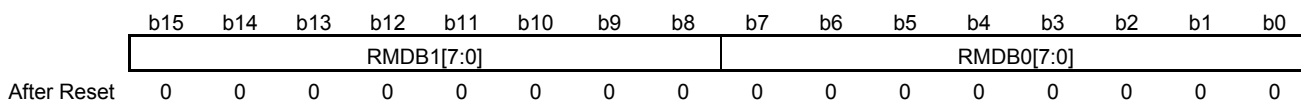
- RMDLC[3:0] Bits
 These bits indicate the data length of the message stored in the receive buffer.

- RMPTR[11:0] Bits
 These bits indicate the label information of the message stored in the receive buffer.

18.3.30 CAN Receive Buffer Register nCL (RMDF0n) (n = 0 to 31)

Address RMDF00: F03A8H, RMDF01: F03B8H, RMDF02: F03C8H, RMDF03: F03D8H
 RMDF04: F03E8H, RMDF05: F03F8H, RMDF06: F0408H, RMDF07: F0418H
 RMDF08: F0428H, RMDF09: F0438H, RMDF010: F0448H, RMDF011: F0458H
 RMDF012: F0468H, RMDF013: F0478H, RMDF014: F0488H, RMDF015: F0498H
 RMDF016: F04A8H, RMDF017: F04B8H, RMDF018: F04C8H, RMDF019: F04D8H
 RMDF020: F04E8H, RMDF021: F04F8H, RMDF022: F0508H, RMDF023: F0518H
 RMDF024: F0528H, RMDF025: F0538H, RMDF026: F0548H, RMDF027: F0558H
 RMDF028: F0568H, RMDF029: F0578H, RMDF030: F0588H, RMDF031: F0598H

The RMDF0n register can be accessed in 16-bit units. In addition, the RMDF0n register can be accessed in 8-bit units as RMDF0nL, RMDF0nH register.



Bit	Symbol	Bit Name	Description	R/W
15 to 8	RMDB1[7:0]	Receive Buffer Data Byte 1	Data in the message stored in the receive buffer can be read.	R
7 to 0	RMDB0[7:0]	Receive Buffer Data Byte 0		R

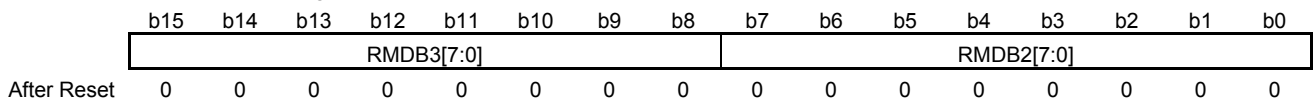
When the RMDLC[3:0] value in the RMPTRn register is smaller than B'1000, data bytes for which no data is set are read as H'00.

This register can be read when the RPAGE bit in the GRWCR register is 1.

18.3.31 CAN Receive Buffer Register nCH (RMDF1n) (n = 0 to 31)

Address RMDF10: F03AAH, RMDF11: F03BAH, RMDF12: F03CAH, RMDF13: F03DAH
 RMDF14: F03EAH, RMDF15: F03FAH, RMDF16: F040AH, RMDF17: F041AH
 RMDF18: F042AH, RMDF19: F043AH, RMDF110: F044AH, RMDF111: F045AH
 RMDF112: F046AH, RMDF113: F047AH, RMDF114: F048AH, RMDF115: F049AH
 RMDF116: F04AAH, RMDF117: F04BAH, RMDF118: F04CAH, RMDF119: F04DAH
 RMDF120: F04EAH, RMDF121: F04FAH, RMDF122: F050AH, RMDF123: F051AH
 RMDF124: F052AH, RMDF125: F053AH, RMDF126: F054AH, RMDF127: F055AH
 RMDF128: F056AH, RMDF129: F057AH, RMDF130: F058AH, RMDF131: F059AH

The RMDF1n register can be accessed in 16-bit units. In addition, the RMDF1n register can be accessed in 8-bit units as RMDF1nL, RMDF1nH register.



Bit	Symbol	Bit Name	Description	R/W
15 to 8	RMDB3[7:0]	Receive Buffer Data Byte 3	Data in the message stored in the receive buffer can be read.	R
7 to 0	RMDB2[7:0]	Receive Buffer Data Byte 2		R

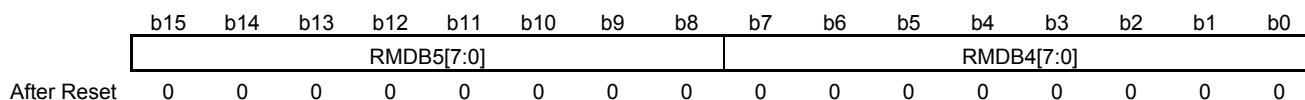
When the RMDLC[3:0] value in the RMTPRn register is smaller than B'1000, data bytes for which no data is set are read as H'00.

This register can be read when the RPAGE bit in the GRWCR register is 1.

18.3.32 CAN Receive Buffer Register nDL (RMDF2n) (n = 0 to 31)

Address RMDF20: F03ACH, RMDF21: F03BCH, RMDF22: F03CCH, RMDF23: F03DCH
 RMDF24: F03ECH, RMDF25: F03FCH, RMDF26: F040CH, RMDF27: F041CH
 RMDF28: F042CH, RMDF29: F043CH, RMDF210: F044CH, RMDF211: F045CH
 RMDF212: F046CH, RMDF213: F047CH, RMDF214: F048CH, RMDF215: F049CH
 RMDF216: F04ACH, RMDF271: F04BCH, RMDF218: F04CCH, RMDF219: F04DCH
 RMDF220: F04ECH, RMDF221: F04FCH, RMDF222: F050CH, RMDF223: F051CH
 RMDF224: F052CH, RMDF225: F053CH, RMDF226: F054CH, RMDF227: F055CH
 RMDF228: F056CH, RMDF229: F057CH, RMDF230: F058CH, RMDF231: F059CH

The RMDF2n register can be accessed in 16-bit units. In addition, the RMDF2n register can be accessed in 8-bit units as RMDF2nL, RMDF2nH register.



Bit	Symbol	Bit Name	Description	R/W
15 to 8	RMDB5[7:0]	Receive Buffer Data Byte 5	Data in the message stored in the receive buffer can be read.	R
7 to 0	RMDB4[7:0]	Receive Buffer Data Byte 4		R

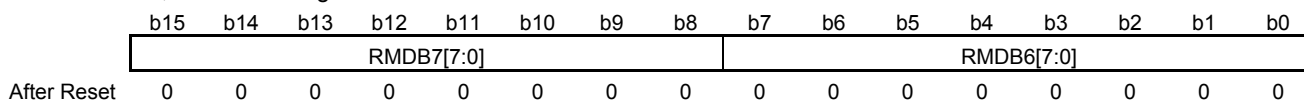
When the RMDLC[3:0] value in the RMPTRn register is smaller than B'1000, data bytes for which no data is set are read as H'00.

This register can be read when the RPAGE bit in the GRWCR register is 1.

18.3.33 CAN Receive Buffer Register nDH (RMDF3n) (n = 0 to 31)

Address RMDF30: F03AEH, RMDF31: F03BEH, RMDF32: F03CEH, RMDF33: F03DEH
 RMDF34: F03EEH, RMDF35: F03FEH, RMDF36: F040EH, RMDF37: F041EH
 RMDF38: F042EH, RMDF39: F043EH, RMDF310: F044EH, RMDF311: F045EH
 RMDF312: F046EH, RMDF313: F047EH, RMDF314: F048EH, RMDF315: F049EH
 RMDF316: F04AEH, RMDF317: F04BEH, RMDF318: F04CEH, RMDF319: F04DEH
 RMDF320: F04EEH, RMDF321: F04FEH, RMDF322: F050EH, RMDF323: F051EH
 RMDF324: F052EH, RMDF325: F053EH, RMDF326: F054EH, RMDF327: F055EH
 RMDF328: F056EH, RMDF329: F057EH, RMDF330: F058EH, RMDF331: F059EH

The RMDF3n register can be accessed in 16-bit units. In addition, the RMDF3n register can be accessed in 8-bit units as RMDF3nL, RMDF3nH register.



Bit	Symbol	Bit Name	Description	R/W
15 to 8	RMDB7[7:0]	Receive Buffer Data Byte 7	Data in the message stored in the receive buffer can be read.	R
7 to 0	RMDB6[7:0]	Receive Buffer Data Byte 6		R

When the RMDLC[3:0] value in the RMPTRn register is smaller than B'1000, data bytes for which no data is set are read as H'00.

This register can be read when the RPAGE bit in the GRWCR register is 1.

18.3.34 CAN Receive FIFO Control Register m (RFCCm) (m = 0 to 3)

Address RFCC0: F0338H, RFCC1: F033AH, RFCC2: F033CH, RFCC3: F033EH

The RFCCm register can be accessed in 16-bit units. In addition, the RFCCm register can be accessed in 8-bit units as RFCCmL, RFCCmH register.

	b15	b14	b13	b12	b11	b10	b9	b8	b7	b6	b5	b4	b3	b2	b1	b0
	RFIGCV[2:0]			RFIM	—	RFDC[2:0]			—	—	—	—	—	—	RFIE	RFE
After Reset	0	0	0	0	0	0	0	0	0	0	0	0	0	0	0	0

Bit	Symbol	Bit Name	Description	R/W
15 to 13	RFIGCV[2:0]	Receive FIFO Interrupt Request Timing Select	b15 b14 b13 0 0 0 : When FIFO is 1/8 full. 0 0 1 : When FIFO is 2/8 full. 0 1 0 : When FIFO is 3/8 full. 0 1 1 : When FIFO is 4/8 full. 1 0 0 : When FIFO is 5/8 full. 1 0 1 : When FIFO is 6/8 full. 1 1 0 : When FIFO is 7/8 full. 1 1 1 : When FIFO is full.	R/W
12	RFIM	Receive FIFO Interrupt Source Select	0: An interrupt occurs when the condition set by the RFIGCV[2:0] bits is met. 1: An interrupt occurs each time a message has been received.	R/W
11	—	Reserved	This bit is always read as 0. The write value should always be 0.	R
10 to 8	RFDC[2:0]	Receive FIFO Buffer Depth Configuration	b10 b9 b8 0 0 0 : 0 messages 0 0 1 : 4 messages 0 1 0 : 8 messages 0 1 1 : 16 messages 1 0 0 : 32 messages 1 0 1 : Setting prohibited 1 1 0 : Setting prohibited 1 1 1 : Setting prohibited	R/W
7 to 2	—	Reserved	These bits are always read as 0. The write value should always be 0.	R
1	RFIE	Receive FIFO Interrupt Enable	0: Receive FIFO interrupt is disabled. 1: Receive FIFO interrupt is enabled.	R/W
0	RFE	Receive FIFO Buffer Enable	0: No receive FIFO buffer is used. 1: Receive FIFO buffers are used.	R/W

- RFIGCV[2:0] Bits**

These bits are used to specify the fraction of the transmit/receive FIFO buffer (the number of messages is selected by the setting of the RFDC[2:0] bits) that must be filled for the FIFO buffer to generate a receive interrupt request when the RFIM bit is set to 0.

When the RFDC[2:0] bits are set to B'001 (4 messages), set the RFIGCV[2:0] bits to B'001, B'011, B'101, or B'111. Modify these bits only in global reset mode.
- RFIM Bit**

This bit is used to select a FIFO interrupt source. Modify this bit only in global reset mode.
- RFDC[2:0] Bits**

These bits are used to select the number of messages that can be stored in a single receive FIFO buffer. If these bits are set to B'000, do not use any receive FIFO buffer. Modify these bits only in global reset mode.

- **RFIE Bit**
Setting the RFIE bit to 1 enables receive FIFO interrupts. Modify this bit when the RFE bit is set to 0 (no receive FIFO buffer is used).
- **RFE Bit**
Setting the RFE bit to 1 makes receive FIFO buffers available. Clearing this bit to 0 sets the RFEMP flag in the RFSTSm register to 1 (the receive FIFO buffer contains no unread message (buffer empty)). Modify this bit only in global operating mode or global test mode.

18.3.35 CAN Receive FIFO Status Register m (RFSTSm) (m = 0 to 3)

Address RFSTS0: F0340H, RFSTS1: F0342H, RFSTS2: F0344H, RFSTS3: F0346H

The RFSTSm register can be accessed in 16-bit units. In addition, the RFSTSm register can be accessed in 8-bit units as RFSTSmL, RFSTSmH register.



Bit	Symbol	Bit Name	Description	R/W
15, 14	—	Reserved	These bits are always read as 0. The write value should always be 0.	R
13 to 8	RFMC[5:0]	Receive FIFO Unread Message Counter	The number of unread messages stored in the receive FIFO buffer is displayed.	R
7 to 4	—	Reserved	These bits are always read as 0. The write value should always be 0.	R
3	RFIF	Receive FIFO Interrupt Request Flag	0: No receive FIFO interrupt request is present. 1: A receive FIFO interrupt request is present.	R/(W) ^{Note}
2	RFMLT	Receive FIFO Message Lost Flag	0: No receive FIFO message is lost. 1: A receive FIFO message is lost.	R/(W) ^{Note}
1	RFFLL	Receive FIFO Buffer Full Status Flag	0: The receive FIFO buffer is not full. 1: The receive FIFO buffer is full.	R
0	RFEMP	Receive FIFO Buffer Empty Status Flag	0: The receive FIFO buffer contains unread messages. 1: The receive FIFO buffer contains no unread message (buffer empty).	R

Note The only effective value for writing to this flag bit is 0, which clears the bit. Otherwise writing to the bit results in retention of its state. To write 0 to this flag bit, write by using an 8-bit data transfer instruction or a 16-bit data transfer instruction.

- **RFMC[5:0] Flag**
This flag indicates the number of unread messages in the receive FIFO buffer. This flag becomes H'00 when the RFE bit in the RFCCm register is set to 0.
- **RFIF Flag**
This flag is set to 1 when the receive FIFO interrupt request generation conditions set by the RFIGCV[2:0] bits and the RFIM bit in the RFCCm register are met. This flag is cleared to 0 in global reset mode or by writing 0 to this flag. Modify this bit only in global operating mode or global test mode.
- **RFMLT Flag**
This flag is set to 1 when it is attempted to store a new message while the receive FIFO buffer is full. In this case, the new message is discarded.
This flag is cleared to 0 in global reset mode or by writing 0 to this flag.
Modify this bit only in global operating mode or global test mode.
- **RFFLL Flag**
This flag is set to 1 when the number of messages stored in the receive FIFO buffer matches the FIFO buffer depth set by the RFDC[2:0] bits in the RFCCm register.
If the number of messages stored in the receive FIFO buffer becomes smaller than the FIFO buffer depth set by the RFDC[2:0] bits, this flag is cleared to 0. This flag is also cleared to 0 when the RFE bit in the RFCCm register is set to 0 (no receive FIFO buffer is used) or in global reset mode.

- RFEMP Flag

This flag is set to 1 when all messages in the receive FIFO buffer have been read. This flag is also set to 1 when the RFE bit in the RFCCm register is 0 or in global reset mode.

This flag is cleared to 0 when even a single received message has been stored in the receive FIFO buffer.

18.3.36 CAN Receive FIFO Pointer Control Register m (RFPCTRm) (m = 0 to 3)

Address RFPCTR0: F0348H, RFPCTR1: F034AH, RFPCTR2: F034CH, RFPCTR3: F034EH

The RFPCTRm register can be accessed in 16-bit units. In addition, the RFPCTRm register can be accessed in 8-bit units as RFPCTRmL, RFPCTRmH register.

	b15	b14	b13	b12	b11	b10	b9	b8	b7	b6	b5	b4	b3	b2	b1	b0
	—	—	—	—	—	—	—	—	RFPC[7:0]							
After Reset	0	0	0	0	0	0	0	0	0	0	0	0	0	0	0	0

Bit	Symbol	Bit Name	Description	R/W
15 to 8	—	Reserved	The write value should always be 0.	R
7 to 0	RFPC[7:0]	Receive FIFO Pointer	When these bits are set to H'FF, the read pointer moves to the next unread message in the receive FIFO buffer. The setting for these bits must be H'FF.	W

- RFPC[7:0] Bits

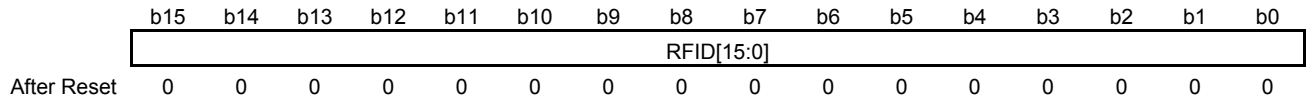
When the RFPC[7:0] bits are set to H'FF, the read pointer moves to the next unread message in the receive FIFO buffer. At this time, the RFMC[5:0] (receive FIFO unread message counter) value in the RFSTSm register is decremented. Read the RFIDLm, RFIDHm, RFTSm, RFPTRm, and RFDF0m to RFDF3m registers to read messages in the receive FIFO buffer, and then write H'FF to the RFPC[7:0] bits.

Write H'FF to these bits when the RFE bit in the RFCCm register is set to 1 (receive FIFO buffers are used) and the RFEMP flag in the RFSTSm register is 0 (the receive FIFO buffer contains unread messages).

18.3.37 CAN Receive FIFO Access Register mAL (RFIDLm) (m = 0 to 3)

Address RFIDL0: F05A0H, RFIDL1: F05B0H, RFIDL2: F05C0H, RFIDL3: F05D0H

The RFIDLm register can be accessed in 16-bit units. In addition, the RFIDLm register can be accessed in 8-bit units as RFIDLmL, RFIDLmH register.



Bit	Symbol	Bit Name	Description	R/W
15 to 0	RFID[15:0]	Receive FIFO Buffer ID Data L	The standard ID or extended ID of received message can be read. Read bits 10 to 0 for standard ID. Bits 15 to 11 are read as 0.	R

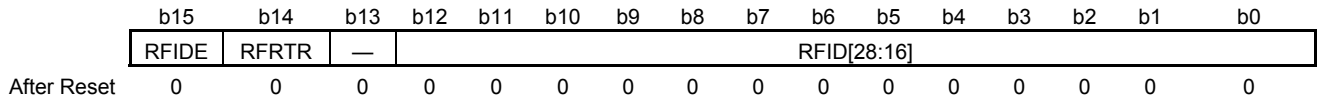
This register can be read when the RPAGE bit in the GRWCR register is 1.

- **RFID[15:0] Bits**
These bits indicate the ID of the message stored in the receive FIFO buffer.

18.3.38 CAN Receive FIFO Access Register mAH (RFIDHm) (m = 0 to 3)

Address RFIDH0: F05A2H, RFIDH1: F05B2H, RFIDH2: F05C2H, RFIDH3: F05D2H

The RFIDHm register can be accessed in 16-bit units. In addition, the RFIDHm register can be accessed in 8-bit units as RFIDHmL, RFIDHmH register.



Bit	Symbol	Bit Name	Description	R/W
15	RFIDE	Receive FIFO Buffer IDE	0: Standard ID 1: Extended ID	R
14	RFRTR	Receive FIFO Buffer RTR	0: Data frame 1: Remote frame	R
13	—	Reserved	This bit is always read as 0.	R
12 to 0	RFID[28:16]	Receive FIFO Buffer ID Data H	The standard ID or extended ID of received message can be read. For standard ID, these bits are read as 0.	R

This register can be read when the RPAGE bit in the GRWCR register is 1.

- **RFIDE Bit**
This bit indicates the ID format (standard ID or extended ID) of the message stored in the receive FIFO buffer.

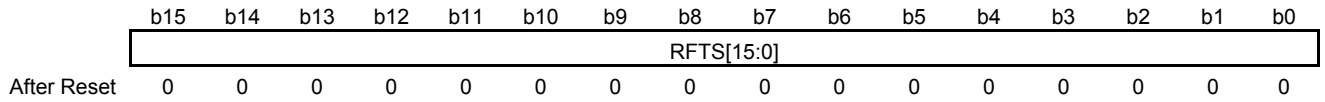
- **RFRTR Bit**
This bit indicates the frame format (data frame or remote frame) of the message stored in the receive FIFO buffer.

- **RFID[28:16] Bits**
These bits indicate the ID of the message stored in the receive FIFO buffer.

18.3.39 CAN Receive FIFO Access Register mBL (RFTSm) (m = 0 to 3)

Address RFTS0: F05A4H, RFTS1: F05B4H, RFTS2: F05C4H, RFTS3: F05D4H

The RFTSm register can be accessed in 16-bit units. In addition, the RFTSm register can be accessed in 8-bit units as RFTSmL, RFTSmH register.



Bit	Symbol	Bit Name	Description	R/W
15 to 0	RFTS[15:0]	Receive FIFO Buffer Timestamp Data	Timestamp value of the received message can be read.	R

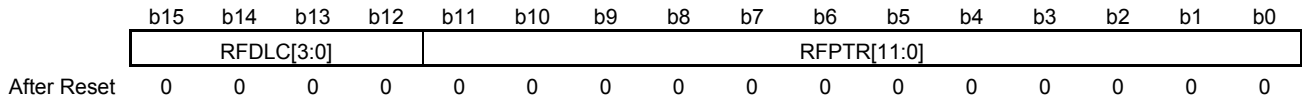
This register can be read when the RPAGE bit in the GRWCR register is 1.

- RFTS[15:0]
These bits indicate the timestamp value of the message stored in the receive FIFO buffer.

18.3.40 CAN Receive FIFO Access Register mBH (RFPTRm) (m = 0 to 3)

Address RFPTR0: F05A6H, RFPTR1: F05B6H, RFPTR2:F05C6H, RFPTR3:F05D6H

The RFPTRm register can be accessed in 16-bit units. In addition, the RFPTRm register can be accessed in 8-bit units as RFPTRmL, RFPTRmH register.



Bit	Symbol	Bit Name	Description	R/W																																																		
15 to 12	RFDLC[3:0]	Receive FIFO Buffer DLC Data	<table style="width:100%; border-collapse: collapse;"> <tr> <td style="width: 5%;">b15</td><td style="width: 5%;">b14</td><td style="width: 5%;">b13</td><td style="width: 5%;">b12</td><td style="width: 5%;"></td> </tr> <tr> <td>0</td><td>0</td><td>0</td><td>0</td><td>: 0 data bytes</td> </tr> <tr> <td>0</td><td>0</td><td>0</td><td>1</td><td>: 1 data byte</td> </tr> <tr> <td>0</td><td>0</td><td>1</td><td>0</td><td>: 2 data bytes</td> </tr> <tr> <td>0</td><td>0</td><td>1</td><td>1</td><td>: 3 data bytes</td> </tr> <tr> <td>0</td><td>1</td><td>0</td><td>0</td><td>: 4 data bytes</td> </tr> <tr> <td>0</td><td>1</td><td>0</td><td>1</td><td>: 5 data bytes</td> </tr> <tr> <td>0</td><td>1</td><td>1</td><td>0</td><td>: 6 data bytes</td> </tr> <tr> <td>0</td><td>1</td><td>1</td><td>1</td><td>: 7 data bytes</td> </tr> <tr> <td>1</td><td>X</td><td>X</td><td>X</td><td>: 8 data bytes</td> </tr> </table>	b15	b14	b13	b12		0	0	0	0	: 0 data bytes	0	0	0	1	: 1 data byte	0	0	1	0	: 2 data bytes	0	0	1	1	: 3 data bytes	0	1	0	0	: 4 data bytes	0	1	0	1	: 5 data bytes	0	1	1	0	: 6 data bytes	0	1	1	1	: 7 data bytes	1	X	X	X	: 8 data bytes	R
b15	b14	b13	b12																																																			
0	0	0	0	: 0 data bytes																																																		
0	0	0	1	: 1 data byte																																																		
0	0	1	0	: 2 data bytes																																																		
0	0	1	1	: 3 data bytes																																																		
0	1	0	0	: 4 data bytes																																																		
0	1	0	1	: 5 data bytes																																																		
0	1	1	0	: 6 data bytes																																																		
0	1	1	1	: 7 data bytes																																																		
1	X	X	X	: 8 data bytes																																																		
11 to 0	RFPTR[11:0]	Receive FIFO Buffer Label Data	Label information of the received message can be read.	R																																																		

This register can be read when the RPAGE bit in the GRWCR register is 1.

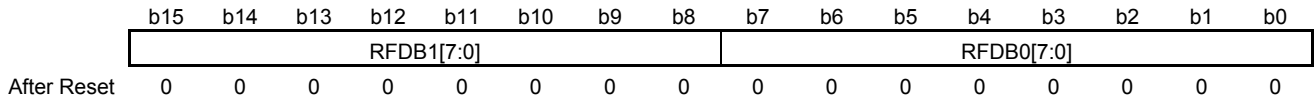
- RFDLC[3:0] Bits
These bits indicate the data length of the message stored in the receive FIFO buffer.

- RFPTR[11:0] Bits
These bits indicate the label information of the message stored in the receive FIFO buffer.

18.3.41 CAN Receive FIFO Access Register mCL (RFDF0m) (m = 0 to 3)

Address RFDF00: F05A8H, RFDF01: F05B8H, RFDF02: F05C8H, RFDF03: F05D8H

The RFDF0m register can be accessed in 16-bit units. In addition, the RFDF0m register can be accessed in 8-bit units as RFDF0mL, RFDF0mH register.



Bit	Symbol	Bit Name	Description	R/W
15 to 8	RFDB1[7:0]	Receive FIFO Buffer Data Byte 1	Data in the message stored in the receive FIFO buffer can be read.	R
7 to 0	RFDB0[7:0]	Receive FIFO Buffer Data Byte 0		R

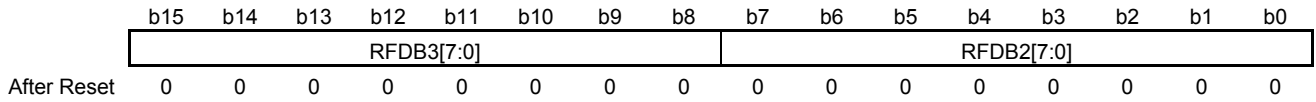
When the RFDLC[3:0] value in the RFPTRm register is smaller than B'1000, data bytes for which no data is set are read as H'00.

This register can be read when the RPAGE bit in the GRWCR register is 1.

18.3.42 CAN Receive FIFO Access Register mCH (RFDF1m) (m = 0 to 3)

Address RFDF10: F05AAH, RFDF11: F05BAH, RFDF12: F05CAH, RFDF13: F05DAH

The RFDF1m register can be accessed in 16-bit units. In addition, the RFDF1m register can be accessed in 8-bit units as RFDF1mL, RFDF1mH register.



Bit	Symbol	Bit Name	Description	R/W
15 to 8	RFDB3[7:0]	Receive FIFO Buffer Data Byte 3	Data in the message stored in the receive FIFO buffer can be read.	R
7 to 0	RFDB2[7:0]	Receive FIFO Buffer Data Byte 2		R

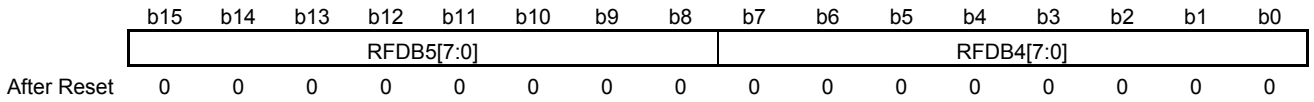
When the RFDLC[3:0] value in the RFPTRm register is smaller than B'1000, data bytes for which no data is set are read as H'00.

This register can be read when the RPAGE bit in the GRWCR register is 1.

18.3.43 CAN Receive FIFO Access Register mDL (RFDF2m) (m = 0 to 3)

Address RFDF20: F05ACH, RFDF21: F05BCH, RFDF22: F05CCH, RFDF23: F05DCH

The RFDF2m register can be accessed in 16-bit units. In addition, the RFDF2m register can be accessed in 8-bit units as RFDF2mL, RFDF2mH register.



Bit	Symbol	Bit Name	Description	R/W
15 to 8	RFDB5[7:0]	Receive FIFO Buffer Data Byte 5	Data in the message stored in the receive FIFO buffer can be read.	R
7 to 0	RFDB4[7:0]	Receive FIFO Buffer Data Byte 4		R

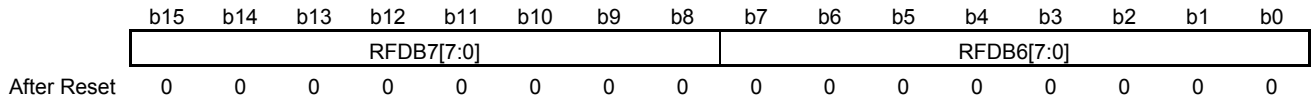
When the RFDLC[3:0] value in the RFPTRm register is smaller than B'1000, data bytes for which no data is set are read as H'00.

This register can be read when the RPAGE bit in the GRWCR register is 1.

18.3.44 CAN Receive FIFO Access Register mDH (RFDF3m) (m = 0 to 3)

Address RFDF30: F05AEH, RFDF31: F05BEH, RFDF32: F05CEH, RFDF33: F05DEH

The RFDF3m register can be accessed in 16-bit units. In addition, the RFDF3m register can be accessed in 8-bit units as RFDF3mL, RFDF3mH register.



Bit	Symbol	Bit Name	Description	R/W
15 to 8	RFDB7[7:0]	Receive FIFO Buffer Data Byte 7	Data in the message stored in the receive FIFO buffer can be read.	R
7 to 0	RFDB6[7:0]	Receive FIFO Buffer Data Byte 6		R

When the RFDLC[3:0] value in the RFPTRm register is smaller than B'1000, data bytes for which no data is set are read as H'00.

This register can be read when the RPAGE bit in the GRWCR register is 1.

18.3.45 CANi Transmit/Receive FIFO Control Register kL (CFCCLk) (i = 0, 1, k = 0, 1)

Address CFCCL0: F0350H, CFCCL1: F0354H

The CFCCLk register can be accessed in 16-bit units. In addition, the CFCCLk register can be accessed in 8-bit units as CFCCLkL, CFCCLkH register.

b15	b14	b13	b12	b11	b10	b9	b8	b7	b6	b5	b4	b3	b2	b1	b0
CFIGCV[2:0]			CFIM	—	CFDC[2:0]			—	—	—	—	—	CF TXIE	CF RXIE	CFE

After Reset 0 0 0 0 0 0 0 0 0 0 0 0 0 0 0 0

Bit	Symbol	Bit Name	Description	R/W
15 to 13	CFIGCV[2:0]	Transmit/Receive FIFO Receive Interrupt Request Timing Select	b15 b14 b13 0 0 0 : When FIFO is 1/8 full. 0 0 1 : When FIFO is 2/8 full. 0 1 0 : When FIFO is 3/8 full. 0 1 1 : When FIFO is 4/8 full. 1 0 0 : When FIFO is 5/8 full. 1 0 1 : When FIFO is 6/8 full. 1 1 0 : When FIFO is 7/8 full. 1 1 1 : When FIFO is full.	R/W
12	CFIM	Transmit/Receive FIFO Interrupt Source Select	This bit has a different meaning by the operating mode. (CFM[1:0] bit of the CFCCHk register) <ul style="list-style-type: none"> Receive mode (CFM[1:0]=B'00) 0: When the number of received messages has met the condition set by the CFIGCV[2:0] bits, a FIFO receive interrupt request is generated. 1: A FIFO receive interrupt request is generated each time a message has been received. Transmit mode (CFM[1:0]=B'01) 0: When the buffer becomes empty upon completion of message transmission, a FIFO transmit interrupt request is generated. 1: A FIFO transmit interrupt request is generated each time a message has been transmitted. GW FIFO mode (CFM[1:0]=B'10) 0: In the case of the reception, when it became the condition that the number of reception messages set in CFIGCV[2:0] bit, FIFO reception interrupt request occurs. 1: In the case of the transmission, when the message transmission is completed, and FIFO buffer emptied, FIFO transmission interrupt request occurs. 	R/W
11	—	Reserved	This bit is always read as 0. The write value should always be 0.	R

Bit	Symbol	Bit Name	Description	R/W
10 to 8	CFDC[2:0]	Transmit/Receive FIFO Buffer Depth Configuration	b10 b9 b8 0 0 0 : 0 messages 0 0 1 : 4 messages 0 1 0 : 8 messages 0 1 1 : 16 messages 1 0 0 : 32 messages 1 0 1 : Setting prohibited 1 1 0 : Setting prohibited 1 1 1 : Setting prohibited	R/W
7 to 3	—	Reserved	These bits are always read as 0. The write value should always be 0.	R
2	CFTXIE	Transmit/Receive FIFO Transmit Interrupt Enable	0: Transmit/receive FIFO transmit interrupt is disabled. 1: Transmit/receive FIFO transmit interrupt is enabled.	R/W
1	CFRXIE	Transmit/Receive FIFO Receive Interrupt Enable	0: Transmit/receive FIFO receive interrupt is disabled. 1: Transmit/receive FIFO receive interrupt is enabled.	R/W
0	CFE	Transmit/Receive FIFO Buffer Enable	0: No transmit/receive FIFO buffer is used. 1: Transmit/receive FIFO buffers are used.	R/W

- CFGICV[2:0] Bits

These bits are used to specify the fraction of the transmit/receive FIFO buffer (the number of messages is selected by the setting of the CFDC[2:0] bits) that must be filled for the FIFO buffer to generate a receive interrupt request when the CFM[1:0] bits are set to B'00 (reception mode) or B'10 (gateway mode) and the CFIM bit is set to 0.

When the CFDC[2:0] bits are set to B'001 (4 messages), set the CFGICV[2:0] bits to B'001, B'011, B'101, or B'111.

Modify these bits only in global reset mode.

- CFIM Bit

This bit is used to select a transmit/receive FIFO interrupt source. Modify this bit only in global reset mode.

- CFDC[2:0] Bits

These bits are used to set the number of messages that can be stored in a single transmit/receive FIFO buffer. If these bits are set to B'000, do not use any receive FIFO buffer. Modify these bits only in global reset mode.

- CFTXIE Bit

When this bit is set to 1 and the CFTXIF flag in the CFSTSk register is set to 1, a transmit/receive FIFO transmit interrupt request is generated.

Modify this bit with the CFE bit set to 0 (no transmit/receive FIFO buffer is used).

- CFRXIE Bit

When this bit is set to 1 and the CFRXIF flag in the CFSTSk register is set to 1, a transmit/receive FIFO receive interrupt request is generated.

Modify this bit with the CFE bit set to 0.

- CFE Bit

Setting this bit to 1 makes transmit/receive FIFO buffers available.

When this bit is set to 0 in transmit mode or gateway mode, if a message in the transmit/receive FIFO buffer is being transmitted or to be transmitted next, the transmit/receive FIFO buffer becomes empty after completion of transmission, CAN bus error detection, or arbitration lost. In other cases or in receive mode, the transmit/receive FIFO buffer becomes empty immediately.

This bit is cleared to 0 when the following conditions are met.

- Receive mode: Global reset mode
- Transmit mode or gateway mode: Channel reset mode

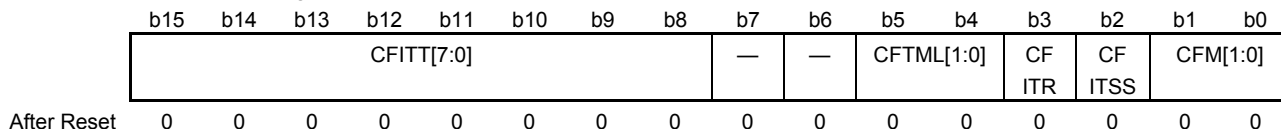
Modify this bit only in the following mode.

- Receive mode: Global operating mode or global test mode
- Transmit mode or gateway mode: Channel communication mode or channel halt mode

18.3.46 CANi Transmit/Receive FIFO Control Register kH (CFCCHk) (i = 0, 1, k = 0, 1)

Address CFCCH0: F0352H, CFCCH1: F0356H

The CFCCHk register can be accessed in 16-bit units. In addition, the CFCCHk register can be accessed in 8-bit units as CFCCHkL, CFCCHkH register.



Bit	Symbol	Bit Name	Description	R/W
15 to 8	CFITT[7:0]	Message Transmission Interval Configuration	Set a message transmission interval. Set these bits to a value within a range of H'00 to H'FF.	R/W
7, 6	—	Reserved	These bits are always read as 0. The write value should always be 0.	R
5, 4	CFTML[1:0]	Transmit Buffer Link Configuration	Set the transmit buffer number to be linked to the transmit/receive FIFO buffer.	R/W
3	CFITR	Transmit/Receive FIFO Interval Timer Resolution	0: Clock obtained by frequency-dividing $f_{CLK}/2$ by the ITRCP[15:0] value 1: Clock obtained by frequency-dividing $f_{CLK}/2$ by the ITRCP[15:0] value $\times 10$	R/W
2	CFITSS	Interval Timer Clock Source Select	0: Clock selected by the CFITR bit 1: CANi bit time clock	R/W
1, 0	CFM[1:0]	Transmit/Receive FIFO Mode Select	b1 b0 0 0 : Receive mode 0 1 : Transmit mode 1 0 : Gateway mode 1 1 : Setting prohibited	R/W

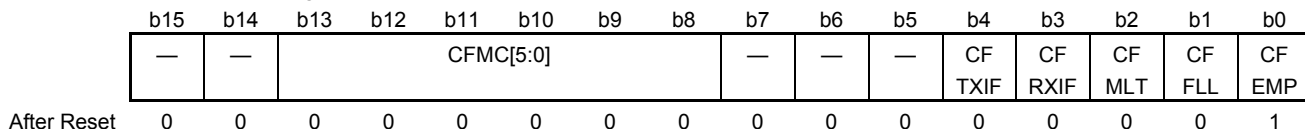
- **CFITT[7:0] Bits**
 These bits are used to set a message transmission interval when transmitting messages continuously from a transmit/receive FIFO buffer whose CFM[1:0] bits are set to B'01 (transmit mode) or B'10 (gateway mode).
 Clear the CFE bit to 0 (no transmit/receive FIFO buffer is used) and then modify the CFITT[7:0] bits.
- **CFTML[1:0] Bits**
 These bits are used to set the number of transmit buffer to be linked to the transmit/receive FIFO buffer when the CFM[1:0] bits are set to B'01 (transmit mode) or B'10 (gateway mode).
 k = 0: Setting the transmit buffer number B'00 ~ B'03 to link (CAN0 transmission buffers 0-3)
 k = 1: Setting the transmit buffer number B'00 ~ B'03 to link (CAN1 transmission buffers 4-7)
 Setting the CFDC[2:0] bits to B'001 or more enables the setting of the CFTML[1:0] bits.
 Modify these bits only in global reset mode.
- **CFITR Bit**
 This bit is valid when the setting of the CFITSS bit is 0.
 Setting this bit to 0 selects the clock obtained by frequency-dividing $f_{CLK}/2$ by the ITRCP[15:0] value.
 Setting this bit to 1 selects the clock obtained by frequency-dividing $f_{CLK}/2$ by the ITRCP[15:0] value $\times 10$.
 Modify the CFITR bit with the CFE bit in the CFCCLk register set to 0 (no transmit/receive FIFO buffer is used).

- **CFITSS Bit**
Setting this bit to 0 selects the clock selected by the CFITR bit as the clock source for counting by the interval timer.
Setting this bit to 1 selects the CANi bit time clock as the clock source for counting by the interval timer. Clear the CFE bit to 0 (no transmit/receive FIFO buffer is used) before modifying the CFITSS bit.
- **CFM[1:0] Bits**
These bits are used to select transmit/receive/GW FIFO mode. Modify these bits only in global reset mode.

18.3.47 CANi Transmit/Receive FIFO Status Register k (CFSTSk) (i = 0, 1, k = 0, 1)

Address CFSTS0: F0358H, CFSTS1: F035AH

The CFSTSk register can be accessed in 16-bit units. In addition, the CFSTSk register can be accessed in 8-bit units as CFSTSKL, CFSTSKH register.



Bit	Symbol	Bit Name	Description	R/W
15, 14	—	Reserved	These bits are always read as 0. The write value should always be 0.	R
13 to 8	CFMC[5:0]	Transmit/Receive FIFO Message Counter	The number of messages stored in the transmit/receive FIFO buffer is indicated.	R
7 to 5	—	Reserved	These bits are always read as 0. The write value should always be 0.	R
4	CFTXIF	Transmit/Receive FIFO Transmit Interrupt Request Flag	0: No transmit/receive FIFO transmit interrupt request is present. 1: A transmit/receive FIFO transmit interrupt request is present.	R/(W) ^{Note}
3	CFRXIF	Transmit/Receive FIFO Receive Interrupt Request Flag	0: No transmit/receive FIFO receive interrupt request is present. 1: A transmit/receive FIFO receive interrupt request is present.	R/(W) ^{Note}
2	CFMLT	Transmit/Receive FIFO Message Lost Flag	0: No transmit/receive FIFO message is lost. 1: A transmit/receive FIFO message is lost.	R/(W) ^{Note}
1	CFFLL	Transmit/Receive FIFO Buffer Full Status Flag	0: The transmit/receive FIFO buffer is not full. 1: The transmit/receive FIFO buffer is full.	R
0	CFEMP	Transmit/Receive FIFO Buffer Empty Status Flag	0: The transmit/receive FIFO buffer contains messages. 1: The transmit/receive FIFO buffer contains no message (buffer empty).	R

Note The only effective value for writing to this flag bit is 0, which clears the bit. Otherwise writing to the bit results in retention of its state. To write 0 to this flag bit, write by using an 8-bit data transfer instruction or a 16-bit data transfer instruction.

- CFMC[5:0] Bits

The CFMC[5:0] bits indicate the following values that depend on the setting of the CFM[1:0] bits in the CFCCHK register.

- When CFM[1:0] value is B'01 (transmit mode): Number of untransmitted messages in the buffer
- When CFM[1:0] value is B'00 (receive mode): Number of unread received messages in the buffer
- When CFM[1:0] value is B'10 (gateway mode): Number of untransmitted received messages in the buffer

These bits are cleared to 0 when any of the following conditions is met.

- When CFM[1:0] value is B'00: In global reset mode
- When CFM[1:0] value is B'01 or B'10: In channel reset mode

- CFTXIF Flag

The CFTXIF flag is set to 1 when the following condition is met.

- When CFM[1:0] value is B'01 or B'10 and interrupt source setting the CFIM bit in the CFCCLk register is generated.

The CFTXIF flag is cleared to 0 when any of the following conditions is met.

- Write 0 to the CFTXIF flag
- When CFM[1:0] value is B'00: In global reset mode
- When CFM[1:0] value is B'01 or B'10: In channel reset mode

Clear this flag to 0 in global operating mode or global test mode.

- CFRXIF Flag

The CFRXIF flag is set to 1 when the following condition is met.

- When CFM[1:0] value is B'00 or B'10 and interrupt source setting the CFIM bit in the CFCCLk register is generated.

The CFRXIF flag is cleared to 0 when any of the following conditions is met.

- Write 0 to the CFRXIF flag
- When CFM[1:0] value is B'00: In global reset mode
- When CFM[1:0] value is B'01 or B'10: In channel reset mode

Clear this flag to 0 in global operating mode or global test mode.

- CFMLT Flag

The CFMLT flag is set to 1 when the following condition is met.

- When it is attempted to store a new message while the transmit/receive FIFO buffer is full. In this case, the new message is discarded.

The CFMLT flag is cleared to 0 when any of the following conditions is met.

- Write 0 to the CFMLT flag
- When CFM[1:0] value is B'00: In global reset mode
- When CFM[1:0] value is B'01 or B'10: In channel reset mode

Clear this flag to 0 in global operating mode or global test mode.

- CFFLL Flag

The CFFLL flag is set to 1 when the following condition is met.

- When the number of messages stored in the transmit/receive FIFO buffer matches the FIFO buffer depth set by the CFDC[2:0] bits in the CFCCLk register.

The CFFLL flag is cleared to 0 when any of the following conditions is met.

- When the number of messages stored in the transmit/receive FIFO buffer becomes smaller than the FIFO buffer depth set by the CFDC[2:0] bits.
- When the CFE value in the CFCCLk register is 0 (no transmit/receive FIFO buffer is used).

Note that this flag is set to 0 after transmission completion, CAN bus error detection, or arbitration lost when the message in the transmit/receive FIFO buffer is being transmitted or to be transmitted next.

- When CFM[1:0] value is B'00: In global reset mode
- When CFM[1:0] value is B'01 or B'10: In channel reset mode

- CFEMP Flag

The CFEMP flag is set to 1 when any of the following conditions is met.

- When the CFM[1:0] value is B'00: All messages have been read, or global reset mode.
- When the CFM[1:0] value is B'01 or B'10: All messages have been transmitted, or channel reset mode.
- When the CFE value in the CFCCLK register is 0 (no transmit/receive FIFO buffer is used).

Note that this flag is set to 1 after transmission completion, CAN bus error detection, or arbitration lost when the message in the transmit/receive FIFO buffer is being transmitted or to be transmitted next.

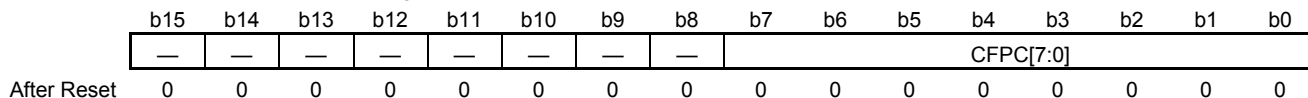
The CFEMP flag is cleared to 0 when any of the following conditions is met.

- When the CFM[1:0] value is B'00 or B'10: Any one of received messages has been stored in the transmit/receive FIFO buffer.
- When the CFM[1:0] value is B'01: A value H'FF has been written to the CFPCTRk register after data was written to the CFIDLk, CFIDHk, CFPTRk, and CFDF0k to CFDF3k registers.

18.3.48 CANi Transmit/Receive FIFO Pointer Control Register k (CFPCTRk) (i = 0, 1, k = 0, 1)

Address CFPCTR0: F035CH, CFPCTR1: F035EH

The CFPCTRk register can be accessed in 16-bit units. In addition, the CFPCTRk register can be accessed in 8-bit units as CFPCTRkL, CFPCTRkH register.



Bit	Symbol	Bit Name	Description	R/W
15 to 8	—	Reserved	These bits are always read as 0. The write value should always be 0.	R
7 to 0	CFPC[7:0]	CANi Transmit/Receive FIFO Pointer	Receive mode: Writing H'FF to these bits moves the read pointer to the next unread message in the transmit/receive FIFO buffer. Transmit mode: Writing H'FF to these bits moves the write pointer to the next stage of the transmit/receive FIFO buffer.	W

- CFPC[7:0] Bits

Receive mode (CFM [1:0] value in the CFCCHk register is B'00):

Writing H'FF to the CFPC[7:0] bits moves the read pointer to the next unread message in the transmit/receive FIFO buffer. At this time, the CFMC[5:0] value (transmit/receive FIFO message counter) in the CFSTSk register is decremented. Read the CFIDLk, CFIDHk, CFTSk, CFPTRk, and CFDF0k to CFDF3k registers to read messages in the transmit/receive FIFO buffer, and then write H'FF to the CFPC[7:0] bits.

Write H'FF to these bits when the CFE bit in the CFCCLk register is set to 1 (transmit/receive FIFO buffers are used) and the CFEMP flag in the CFSTSk register is cleared to 0 (the transmit/receive FIFO buffer contains messages).

Transmit mode (CFM [1:0] value in the CFCCHk register is B'01):

Writing H'FF to the CFPC[7:0] bits stores the data written to the CFIDLk, CFIDHk, CFPTRk, and CFDF0k to CFDF3k registers in the transmit/receive FIFO buffer and moves the write pointer to the next stage of the transmit/receive FIFO buffer. At this time, the CFMC[5:0] value is incremented. Write transmit messages to the CFIDLk, CFIDHk, CFPTRk, and CFDF0k to CFDF3k registers and then write H'FF to the CFPC[7:0] bits.

Write H'FF to these bits when the CFE bit in the CFCCLk register is set to 1 and the CFFLL flag in the CFSTSk register is cleared to 0 (the transmit/receive FIFO buffer is not full).

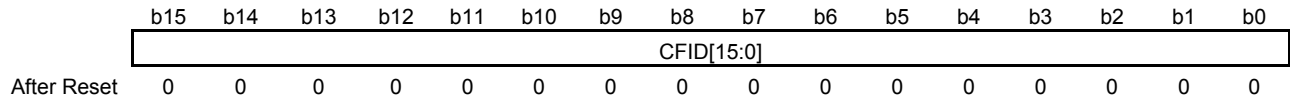
Gateway mode (CFM [1:0] value in the CFCCHk register is B'10):

Setting prohibited.

18.3.49 CANi Transmit/Receive FIFO Access Register kAL (CFIDLk) (i = 0, 1, k = 0, 1)

Address CFIDL0: F05E0H, CFIDL1: F05F0H

The CFIDLk register can be accessed in 16-bit units. In addition, the CFIDLk register can be accessed in 8-bit units as CFIDLkL, CFIDLkH register.



Bit	Symbol	Bit Name	Description	R/W
15 to 0	CFID[15:0]	Transmit/Receive FIFO Buffer ID Data L	When CFM[1:0] value is B'01 (transmit mode): Set standard ID or extended ID. For standard ID, write an ID to bits 10 to 0 and write 0 to bits 15 to 11. When CFM[1:0] value is B'00 (receive mode): Standard ID or extended ID in the received message can be read. For standard ID, read bits 10 to 0. Bits 15 to 11 are read as 0.	R/W

This register is readable when the CFM[1:0] value in the CFCCHk register is B'00 (receive mode). This register should not be read or written when the CFM[1:0] value is B'10 (gatewaymode).

This register can be read/written when the RPAGE bit in the GRWCR register is 1.

- CFID[15:0] Bits

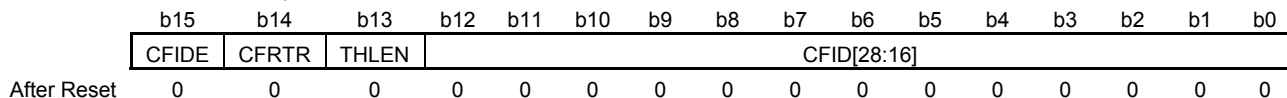
These bits indicate the ID of the received message stored in the transmit/receive FIFO buffer when the CFM [1:0] value is B'00.

When the CFM [1:0] value is B'01, set the ID of the message to be transmitted from the transmit/receive FIFO buffer.

18.3.50 CANi Transmit/Receive FIFO Access Register kAH (CFIDHk) (i = 0, 1, k = 0, 1)

Address CFIDH0: F05E2H, CFIDH1: F05F2H

The CFIDHk register can be accessed in 16-bit units. In addition, the CFIDHk register can be accessed in 8-bit units as CFIDHkL, CFIDHkH register.



Bit	Symbol	Bit Name	Description	R/W
15	CFIDE	Transmit/Receive FIFO Buffer IDE	0: Standard ID 1: Extended ID	R/W
14	CFRTR	Transmit/Receive FIFO Buffer RTR	0: Data frame 1: Remote frame	R/W
13	THLEN	Transmit History Data Store Enable	This bit is valid only when the CFM[1:0] value is B'01 (transmit mode). 0: Transmit history data is not stored in the buffer. 1: Transmit history data is stored in the buffer.	R/W
12 to 0	CFID[28:16]	Transmit/Receive FIFO Buffer ID Data H	When CFM[1:0] value is B'01 (transmit mode): Set standard ID or extended ID. For standard ID, write 0 to these bits. When CFM[1:0] value is B'00 (receive mode): Standard ID or extended ID in the received message can be read. For standard ID, these bits are read as 0.	R/W

This register is readable when the CFM[1:0] value in the CFCCHK register is B'00 (receive mode). This register should not be read or written when the CFM[1:0] value is B'10 (gatewaymode).

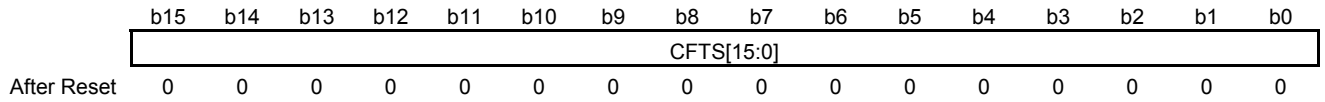
This register can be read/written when the RPAGE bit in the GRWCR register is 1.

- **CFIDE Bit**
This bit indicates the ID format (standard ID or extended ID) of the received message stored in the transmit/receive FIFO buffer when the CFM[1:0] value is B'00. When the CFM [1:0] value is B'01, set the ID format of the message to be transmitted from the transmit/receive FIFO buffer.
- **CFRTR Bit**
This bit indicates the data format (data frame or remote frame) of the received message stored in the transmit/receive FIFO buffer when the CFM [1:0] value is B'00. When the CFM [1:0] value is B'01, set the data format of the message to be transmitted from the transmit/receive FIFO buffer.
- **THLEN Bit**
When this bit is set to 1, the transmit history data (label information, buffer number, and buffer type) of transmit messages is stored in the transmit history buffer after transmission is completed.
This bit is enabled when the CFM [1:0] value is B'01 (transmit mode).
- **CFID[28:16] Bits**
These bits indicate the ID of the received message stored in the transmit/receive FIFO buffer when the CFM [1:0] value is B'00.
When the CFM[1:0] value is B'01, set the ID of the message to be transmitted from the transmit/receive FIFO buffer.

18.3.51 CANi Transmit/Receive FIFO Access Register kBL (CFTSk) (i = 0, 1, k = 0, 1)

Address CFTS0: F05E4H, CFTS1: F05F4H

The CFTSk register can be accessed in 16-bit units. In addition, the CFTSk register can be accessed in 8-bit units as CFTSKL, CFTSKH register.



Bit	Symbol	Bit Name	Description	R/W
15 to 0	CFTS[15:0]	Transmit/Receive FIFO Buffer Timestamp Data	These bits are valid only when the CFM[1:0] value is B'00 (receive mode). The timestamp value of the received message can be read.	R

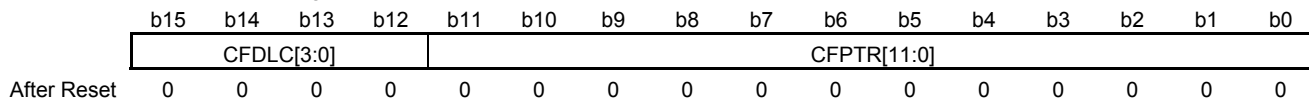
This register can be read when the RPAGE bit in the GRWCR register is 1.

- CFTS[15:0] Bits
 These bits indicate the timestamp value of the message stored in the transmit/receive FIFO buffer.
 These bits are valid when the CFM[1:0] value is B'00.

18.3.52 CANi Transmit/Receive FIFO Access Register kBH (CFPTRk) (i = 0, 1, k = 0, 1)

Address CFPTR0: F05E6H, CFPTR1: F05F6H

The CFPTRk register can be accessed in 16-bit units. In addition, the CFPTRk register can be accessed in 8-bit units as CFPTRkL, CFPTRkH register.



Bit	Symbol	Bit Name	Description	R/W																																																		
15 to 12	CFDLC[3:0]	Transmit/Receive FIFO Buffer DLC Data	<table border="0" style="width: 100%; font-size: small;"> <tr> <td style="width: 5%;">b15</td> <td style="width: 5%;">b14</td> <td style="width: 5%;">b13</td> <td style="width: 5%;">b12</td> <td style="width: 5%;"></td> </tr> <tr> <td>0</td> <td>0</td> <td>0</td> <td>0:</td> <td>0 data bytes</td> </tr> <tr> <td>0</td> <td>0</td> <td>0</td> <td>1:</td> <td>1 data byte</td> </tr> <tr> <td>0</td> <td>0</td> <td>1</td> <td>0:</td> <td>2 data bytes</td> </tr> <tr> <td>0</td> <td>0</td> <td>1</td> <td>1:</td> <td>3 data bytes</td> </tr> <tr> <td>0</td> <td>1</td> <td>0</td> <td>0:</td> <td>4 data bytes</td> </tr> <tr> <td>0</td> <td>1</td> <td>0</td> <td>1:</td> <td>5 data bytes</td> </tr> <tr> <td>0</td> <td>1</td> <td>1</td> <td>0:</td> <td>6 data bytes</td> </tr> <tr> <td>0</td> <td>1</td> <td>1</td> <td>1:</td> <td>7 data bytes</td> </tr> <tr> <td>1</td> <td>X</td> <td>X</td> <td>X:</td> <td>8 data bytes</td> </tr> </table>	b15	b14	b13	b12		0	0	0	0:	0 data bytes	0	0	0	1:	1 data byte	0	0	1	0:	2 data bytes	0	0	1	1:	3 data bytes	0	1	0	0:	4 data bytes	0	1	0	1:	5 data bytes	0	1	1	0:	6 data bytes	0	1	1	1:	7 data bytes	1	X	X	X:	8 data bytes	R/W
b15	b14	b13	b12																																																			
0	0	0	0:	0 data bytes																																																		
0	0	0	1:	1 data byte																																																		
0	0	1	0:	2 data bytes																																																		
0	0	1	1:	3 data bytes																																																		
0	1	0	0:	4 data bytes																																																		
0	1	0	1:	5 data bytes																																																		
0	1	1	0:	6 data bytes																																																		
0	1	1	1:	7 data bytes																																																		
1	X	X	X:	8 data bytes																																																		
11 to 0	CFPTR[11:0]	Transmit/Receive FIFO Buffer Label Data	When CFM[1:0] value is B'01 (transmit mode): Set the label information to be stored in the transmit history buffer. Only bits CFPTR[7:0] are valid. When CFM[1:0] value is B'00 (receive mode): The label information of the received message can be read.	R/W																																																		

This register is readable when the CFM[1:0] value in the CFCCHK register is B'00 (receive mode). This register should not be read or written when the CFM[1:0] value is B'10 (gatewaymode).

This register can be read/written when the RPAGE bit in the GRWCR register is 1.

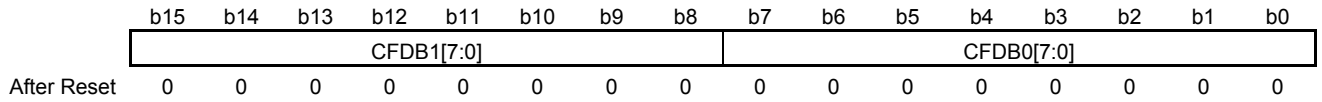
- **CFDLC[3:0] Bits**
 These bits indicate the data length of the received message stored in the transmit/receive FIFO buffer when the CFM [1:0] value is B'00. When the CFM [1:0] value is B'01, set the data length of the message to be transmitted from the transmit/receive FIFO buffer. If 9-byte or more data length is set, 8 bytes of data is actually transmitted.

- **CFPTR[11:0] Bits**
 These bits indicate the label information attached to the received message stored in the transmit/receive FIFO buffer when the CFM [1:0] value is B'00. When the CFM [1:0] value is B'01, the CFPTR [7:0] value is stored in the transmit history buffer when message transmission has been completed.

18.3.53 CANi Transmit/Receive FIFO Access Register kCL (CFDF0k) (i = 0, 1, k = 0, 1)

Address CFDF00: F05E8H, CFDF01: F05F8H

The CFDF0k register can be accessed in 16-bit units. In addition, the CFDF0k register can be accessed in 8-bit units as CFDF0kL, CFDF0kH register.



Bit	Symbol	Bit Name	Description	R/W
15 to 8	CFDB1[7:0]	Transmit/Receive FIFO Buffer Data Byte 1	When CFM[1:0] value is B'01 (transmit mode): Set the transmit/receive FIFO buffer data.	R/W
7 to 0	CFDB0[7:0]	Transmit/Receive FIFO Buffer Data Byte 0	When CFM[1:0] value is B'00 (receive mode): The message data stored in the transmit/receive FIFO buffer can be read.	R/W

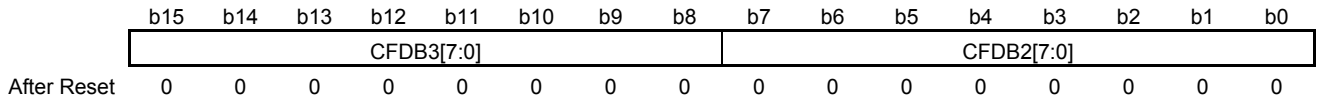
This register is readable when the CFM[1:0] value in the CFCCHK register is B'00 (receive mode). This register should not be read or written when the CFM[1:0] value is B'10 (gatewaymode).

This register can be read/written when the RPAGE bit in the GRWCR register is 1.

18.3.54 CANi Transmit/Receive FIFO Access Register kCH (CFDF1k) (i = 0, 1, k = 0, 1)

Address CFDF10: F05EAH, CFDF11: F05FAH

The CFDF1k register can be accessed in 16-bit units. In addition, the CFDF1k register can be accessed in 8-bit units as CFDF1kL, CFDF1kH register.



Bit	Symbol	Bit Name	Description	R/W
15 to 8	CFDB3[7:0]	Transmit/Receive FIFO Buffer Data Byte 3	When CFM[1:0] value is B'01 (transmit mode): Set the transmit/receive FIFO buffer data.	R/W
7 to 0	CFDB2[7:0]	Transmit/Receive FIFO Buffer Data Byte 2	When CFM[1:0] value is B'00 (receive mode): The message data stored in the transmit/receive FIFO buffer can be read.	R/W

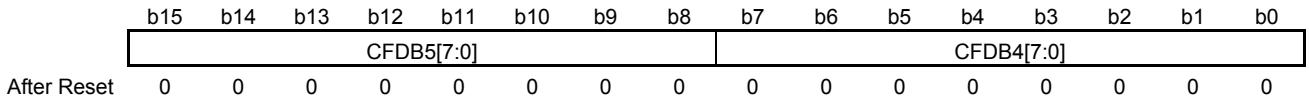
This register is readable when the CFM[1:0] value in the CFCCHk register is B'00 (receive mode). This register should not be read or written when the CFM[1:0] value is B'10 (gatewaymode).

This register can be read/written when the RPAGE bit in the GRWCR register is 1.

18.3.55 CANi Transmit/Receive FIFO Access Register kDL (CFDF2k) (i = 0, 1, k = 0, 1)

Address CFDF20: F05ECH, CFDF21: F05FCH

The CFDF2k register can be accessed in 16-bit units. In addition, the CFDF2k register can be accessed in 8-bit units as CFDF2kL, CFDF2kH register.



Bit	Symbol	Bit Name	Description	R/W
15 to 8	CFDB5[7:0]	Transmit/Receive FIFO Buffer Data Byte 5	When CFM[1:0] value is B'01 (transmit mode): Set the transmit/receive FIFO buffer data.	R/W
7 to 0	CFDB4[7:0]	Transmit/Receive FIFO Buffer Data Byte 4	When CFM[1:0] value is B'00 (receive mode): The message data stored in the transmit/receive FIFO buffer can be read.	R/W

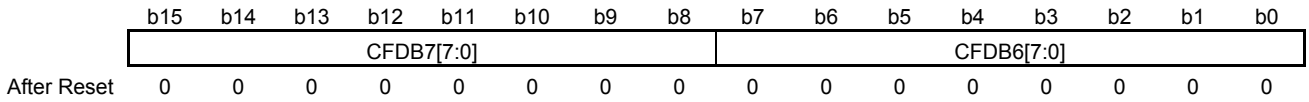
This register is readable when the CFM[1:0] value in the CFCCHk register is B'00 (receive mode). This register should not be read or written when the CFM[1:0] value is B'10 (gatewaymode).

This register can be read/written when the RPAGE bit in the GRWCR register is 1.

18.3.56 CANi Transmit/Receive FIFO Access Register kDH (CFDF3k) (i = 0, 1, k = 0, 1)

Address CFDF30: F05EEH, CFDF31: F05FEH

The CFDF3k register can be accessed in 16-bit units. In addition, the CFDF3k register can be accessed in 8-bit units as CFDF3kL, CFDF3kH register.



Bit	Symbol	Bit Name	Description	R/W
15 to 8	CFDB7[7:0]	Transmit/Receive FIFO Buffer Data Byte 7	When CFM[1:0] value is B'01 (transmit mode): Set the transmit/receive FIFO buffer data.	R/W
7 to 0	CFDB6[7:0]	Transmit/Receive FIFO Buffer Data Byte 6	When CFM[1:0] value is B'00 (receive mode): The message data stored in the transmit/receive FIFO buffer can be read.	R/W

This register is readable when the CFM[1:0] value in the CFCCHk register is B'00 (receive mode). This register should not be read or written when the CFM[1:0] value is B'10 (gatewaymode).

This register can be read/written when the RPAGE bit in the GRWCR register is 1.

18.3.57 Receive FIFO Message Lost Status Register (RFMSTS)

Address RFMSTS: F0360H

The RFMSTS register can be accessed in 8-bit units.

b7	b6	b5	b4	b3	b2	b1	b0
—	—	—	—	RF3 MLT	RF2 MLT	RF1 MLT	RF0 MLT

After Reset 0 0 0 0 0 0 0 0

Bit	Symbol	Bit Name	Description	R/W
7 to 4	—	Reserved	These bits are always read as 0. The write value should always be 0.	R
3	RF3MLT	Receive FIFO Buffer 3 Message Lost Status Flag	0: No receive FIFO buffer m message is lost (m = 0, 1). 1: A receive FIFO buffer m message is lost.	R
2	RF2MLT	Receive FIFO Buffer 2 Message Lost Status Flag		R
1	RF1MLT	Receive FIFO Buffer 1 Message Lost Status Flag		R
0	RF0MLT	Receive FIFO Buffer 0 Message Lost Status Flag		R

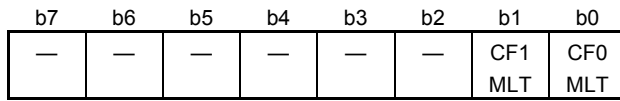
The RFMSTS register is cleared to H'00 in global reset mode.

- RFmMLT Flag (m = 0 to 3)
The RFmMLT flag is set to 1 when the RFMLT flag in the RFSTSm register is set to 1 (a receive FIFO message is lost). When the RFMLT flag is cleared to 0, the RFmMLT flag is cleared to 0.

18.3.58 CAN Transmit/Receive FIFO Message Lost Status Register (CFMSTS)

Address CFMSTS: F0361H

The CFMSTS register can be accessed in 8-bit units.



After Reset 0 0 0 0 0 0 0 0

Bit	Symbol	Bit Name	Description	R/W
7-2	—	Reserved	These bits are always read as 0. The write value should always be 0.	R
1	CF1MLT	CAN1 Transmit/Receive FIFO Buffer 1 Message Lost Status Flag	0: No CAN1 transmit/receive FIFO buffer 1 message is lost. 1: A CAN1 transmit/receive FIFO buffer 1 message is lost.	R
0	CF0MLT	CAN0 Transmit/Receive FIFO Buffer 0 Message Lost Status Flag	0: No CAN0 transmit/receive FIFO buffer 0 message is lost. 1: A CAN0 transmit/receive FIFO buffer 0 message is lost.	R

The CFMSTS register is cleared to H'00 in global reset mode.

- CFkMLT Flag (k = 0, 1)
The CFkMLT flag is set to 1 when the CFMLT flag in the CFSTS_k register is set to 1 (a transmit/receive FIFO message is lost). When the CFMLT flag is cleared to 0, the CFkMLT flag is cleared to 0.

18.3.59 CAN Receive FIFO Interrupt Status Register (RFISTS)

Address RFISTS: F0362H

The RFISTS register can be accessed in 8-bit units.

b7	b6	b5	b4	b3	b2	b1	b0
—	—	—	—	RF3 IF	RF2 IF	RF1 IF	RF0 IF

After Reset 0 0 0 0 0 0 0 0

Bit	Symbol	Bit Name	Description	R/W
7 to 4	—	Reserved	These bits are always read as 0. The write value should always be 0.	R
3	RF3IF	Receive FIFO Buffer 3 Interrupt Request Status Flag	0: No receive FIFO buffer m interrupt request is present (m = 0 to 3). 1: A receive FIFO buffer m interrupt request is present.	R
2	RF2IF	Receive FIFO Buffer 2 Interrupt Request Status Flag		R
1	RF1IF	Receive FIFO Buffer 1 Interrupt Request Status Flag		R
0	RF0IF	Receive FIFO Buffer 0 Interrupt Request Status Flag		R

The RFISTS register is cleared to H'00 in global reset mode.

- RFmIF Flag (m = 0 to 3)

The RFmIF flag is set to 1 when the RFIF flag in the RFSTSm register is set to 1 (a receive FIFO interrupt request is present). When the RFIF flag is cleared to 0, the RFmIF flag is cleared to 0.

18.3.60 CAN Transmit/Receive FIFO Receive Interrupt Status Register (CFISTS)

Address CFISTS: F0363H

The CFISTS register can be accessed in 8-bit units.

	b7	b6	b5	b4	b3	b2	b1	b0
	—	—	—	—	—	—	CF1IF	CF0IF
After Reset	0	0	0	0	0	0	0	0

Bit	Symbol	Bit Name	Description	R/W
7 to 2	—	Reserved	These bits are always read as 0. The write value should always be 0.	R
1	CF1IF	CAN1 Transmit/Receive FIFO Buffer 1 Receive Interrupt Request Status Flag	0: No CAN1 transmit/receive FIFO buffer 1 receive interrupt request is present. 1: A CAN1 transmit/receive FIFO buffer 1 receive interrupt request is present.	R
0	CF0IF	CAN0 Transmit/Receive FIFO Buffer 0 Receive Interrupt Request Status Flag	0: No CAN0 transmit/receive FIFO buffer 0 receive interrupt request is present. 1: A CAN0 transmit/receive FIFO buffer 0 receive interrupt request is present.	R

The CFISTS register is cleared to H'00 in global reset mode.

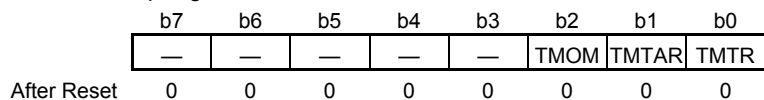
- CFkIF Flag (k = 0, 1)

The CFkIF flag is set to 1 when the CFRXIF flag in the CFSTSk register is set to 1 (a transmit/receive FIFO receive interrupt request is present). When the CFRXIF flag is cleared to 0, the CFkIF flag is cleared to 0.

18.3.61 CANi Transmit Buffer Control Register p (TMCp) (i = 0, 1, p = 0 to 7)

Address CAN0 Transmit Buffer Control Register p (p = 0 to 3)
 TMC0: F0364H, TMC1: F0365H, TMC2: F0366H, TMC3: F0367H
 CAN1 Transmit Buffer Control Register p (p = 4 to 7)
 TMC4: F0368H, TMC5: F0369H, TMC6: F036AH, TMC7: F036BH

The TMCp register can be accessed in 8-bit units.



Bit	Symbol	Bit Name	Description	R/W
7 to 3	—	Reserved	These bits are always read as 0. The write value should always be 0.	R
2	TMOM	One-Shot Transmission Enable	0: One-shot transmission is disabled. 1: One-shot transmission is enabled.	R/W
1	TMTAR	Transmit Abort Request	0: Transmit abort is not requested. 1: Transmit abort is requested.	R/(W) ^{Note}
0	TMTR	Transmit Request	0: Transmission is not requested. 1: Transmission is requested.	R/(W) ^{Note}

Note The only effective value for writing to this bit is 1, which sets the bit. Otherwise writing to the bit results in retention of its state.

When the TMCp register meets any of the following conditions, set it to H'00.

- The TMCp register corresponds to the transmit buffer number selected by the CFTML[1:0] bits in the CFCCHK register.

Bits in the TMCp register are cleared to all 0 in channel reset mode. Modify the TMCp register only in channel communication mode or channel halt mode.

- **TMOM Bit**
 Setting this bit to 1 enables one-shot transmission. When transmission fails, retransmission defined in the CAN protocol is not performed.
 Modify the TMOM bit when the TMTRM flag in the TMSTSp register is set to 0. To set the TMOM bit to 1, also set the TMTR bit together.
- **TMTAR Bit**
 Setting this bit to 1 generates a transmit abort request for the message stored in the transmit buffer. However, a message that is being transmitted or to be transmitted next cannot be aborted.
 When the TMTR bit is set to 1, the TMTAR bit can be set to 1.
 The TMTAR bit is cleared to 0 when any of the following conditions is met, but is not cleared by writing 0 by the program.
 - Transmission has been completed.
 - Transmit abort has been completed.
 - An error or arbitration lost has been detected.
 If this bit becomes 0 at the timing when the program writes 1 to this bit, this bit becomes 0.

- TMTR Bit

Setting this bit to 1 transmits the message stored in the transmit buffer.

The TMTR bit is cleared to 0 when any of the following conditions is met, but is not cleared by writing 0 by the program.

- Transmission has been completed.
- Transmit abort has been completed by setting the TMTAR bit to 1.
- An error or arbitration lost has been detected with the TMOM bit set to 1.

Set the TMTR bit to 1 when the TMTRF[1:0] value in the TMSTSp register is B'00.

18.3.62 CANi Transmit Buffer Status Register p (TMSTSp) (i = 0, p = 0 to 3; i = 1, p = 4 to 7)

Address CAN0 Transmit Buffer Status Register p (p = 0 to 3)

TMSTS0: F036CH, TMSTS1: F036DH, TMSTS2: F036EH, TMSTS3: F036FH (i = 0)

CAN1 Transmit Buffer Status Register p (p = 4 to 7)

TMSTS4: F0370H, TMSTS5: F0371H, TMSTS6: F0372H, TMSTS3: F0373H (i = 1)

The TMSTSp register can be accessed in 8-bit units.

b7	b6	b5	b4	b3	b2	b1	b0
—	—	—	TMT ARM	TMT RM	TMTRF[1:0]	TMT STS	

After Reset 0 0 0 0 0 0 0 0

Bit	Symbol	Bit Name	Description	R/W															
7 to 5	—	Reserved	These bits are always read as 0. The write value should always be 0.	R															
4	TMTARM	Transmit Buffer Transmit Abort Request Status Flag	0: No transmit abort request is present. 1: A transmit abort request is present.	R															
3	TMTRM	Transmit Buffer Transmit Request Status Flag	0: No transmit request is present. 1: A transmit request is present.	R															
2, 1	TMTRF[1:0]	Transmit Buffer Transmit Result Flag	<table border="0"> <tr> <td>b2</td> <td>b1</td> <td></td> </tr> <tr> <td>0</td> <td>0</td> <td>: Transmission is in progress or no transmit request is present.</td> </tr> <tr> <td>0</td> <td>1</td> <td>: Transmit abort has been completed.</td> </tr> <tr> <td>1</td> <td>0</td> <td>: Transmission has been completed (without transmit abort request).</td> </tr> <tr> <td>1</td> <td>1</td> <td>: Transmission has been completed (with transmit abort request).</td> </tr> </table>	b2	b1		0	0	: Transmission is in progress or no transmit request is present.	0	1	: Transmit abort has been completed.	1	0	: Transmission has been completed (without transmit abort request).	1	1	: Transmission has been completed (with transmit abort request).	R/W
b2	b1																		
0	0	: Transmission is in progress or no transmit request is present.																	
0	1	: Transmit abort has been completed.																	
1	0	: Transmission has been completed (without transmit abort request).																	
1	1	: Transmission has been completed (with transmit abort request).																	
0	TMTSTS	Transmit Buffer Transmit Status Flag	0: Transmission is not in progress. 1: Transmission is in progress.	R															

The TMSTSp register is cleared to all 0 in channel reset mode.

- TMTARM Flag**
The TMTARM flag is set to 1 when the TMTAR bit in the TMCp register is set to 1, and is cleared to 0 when the TMTAR bit is set to 0.
- TMTRM Flag**
The TMTRM flag is set to 1 when the TMTR bit in the TMCp register is set to 1, and is cleared to 0 when the TMTR bit is set to 0.
- TMTRF[1:0] Flag**
This flag indicates the result of transmission from the transmit buffer.
B'00: Transmission is in progress or no transmit request is present.
B'01: Transmission from the transmit buffer was aborted.
B'10: Transmission has been completed with the TMTAR bit in the TMCp register set to 0 (transmit abort is not requested).
B'11: Transmission has been completed with the TMTAR bit in the TMCp register set to 1 (transmit abort is requested).
Write B'00 to the TMTRF[1:0] flag in channel communication mode or channel halt mode. Do not write any value other than B'00 to this flag.
- TMTSTS Flag**
This flag is set to 1 when transmission from the transmit buffer starts, and is cleared to 0 when transmission from the transmit buffer has been completed or terminated due to a bus error or arbitration lost.

18.3.63 CAN Transmit Buffer Transmit Request Status Register (TMTRSTS)

Address TMTRSTS: F0374H

The TMTRSTS register can be accessed in 16-bit units. In addition, the TMTRSTS register can be accessed in 8-bit units as TMTRSTSL, TMTRSTSH register.

b15	b14	b13	b12	b11	b10	b9	b8	b7	b6	b5	b4	b3	b2	b1	b0
—	—	—	—	TMTR STS7	TMTR STS6	TMTR STS5	TMTR STS4	—	—	—	—	TMTR STS3	TMTR STS2	TMTR STS1	TMTR STS0

After Reset 0 0 0 0 0 0 0 0 0 0 0 0 0 0 0 0

Bit	Symbol	Bit Name	Description	R/W
15 to 12	—	Reserved	These bits are always read as 0.	R
11	TMTRSTS7	CAN1 Transmit Buffer 7 Transmit Request Status Flag	0: No transmit request is present. 1: A transmit request is present.	R
10	TMTRSTS6	CAN1 Transmit Buffer 6 Transmit Request Status Flag		R
9	TMTRSTS5	CAN1 Transmit Buffer 5 Transmit Request Status Flag		R
8	TMTRSTS4	CAN1 Transmit Buffer 4 Transmit Request Status Flag		R
7 to 4	—	Reserved	These bits are always read as 0.	R
3	TMTRSTS3	CAN0 Transmit Buffer 3 Transmit Request Status Flag	0: No transmit request is present. 1: A transmit request is present.	R
2	TMTRSTS2	CAN0 Transmit Buffer 2 Transmit Request Status Flag		R
1	TMTRSTS1	CAN0 Transmit Buffer 1 Transmit Request Status Flag		R
0	TMTRSTS0	CAN0 Transmit Buffer 0 Transmit Request Status Flag		R

- TMTRSTSp Flags (p = 0 to 7)
 These flags indicate the status of the TMTR bit in the TMCp register.
 When the TMTR bit is set to 1 (transmission is requested), the corresponding TMTRSTSp flag is set to 1.
 The corresponding TMTRSTSp flag is cleared to 0 when the TMTR bit is set to 0 (transmission is not requested) or in channel reset mode.

18.3.64 CAN Transmit Buffer Transmit Complete Status Register (TMCSTSp)

Address TMCSTSp: F0376H

The TMCSTSp register can be accessed in 16-bit units. In addition, the TMCSTSp register can be accessed in 8-bit units as TMCSTSL, TMCSTSH register.

b15	b14	b13	b12	b11	b10	b9	b8	b7	b6	b5	b4	b3	b2	b1	b0
—	—	—	—	TMCSTSp7	TMCSTSp6	TMCSTSp5	TMCSTSp4	—	—	—	—	TMCSTSp3	TMCSTSp2	TMCSTSp1	TMCSTSp0

After Reset 0 0 0 0 0 0 0 0 0 0 0 0 0 0 0 0

Bit	Symbol	Bit Name	Description	R/W
15 to 12	—	Reserved	These bits are always read as 0.	R
11	TMCSTSp7	CAN1 Transmit Buffer 7 Transmit Complete Status Flag	0: Transmission has not been completed. 1: Transmission has been completed	R
10	TMCSTSp6	CAN1 Transmit Buffer 6 Transmit Complete Status Flag		R
9	TMCSTSp5	CAN1 Transmit Buffer 5 Transmit Complete Status Flag		R
8	TMCSTSp4	CAN1 Transmit Buffer 4 Transmit Complete Status Flag		R
7 to 4	—	Reserved	These bits are always read as 0.	R
3	TMCSTSp3	CAN0 Transmit Buffer 3 Transmit Complete Status Flag	0: Transmission has not been completed. 1: Transmission has been completed	R
2	TMCSTSp2	CAN0 Transmit Buffer 2 Transmit Complete Status Flag		R
1	TMCSTSp1	CAN0 Transmit Buffer 1 Transmit Complete Status Flag		R
0	TMCSTSp0	CAN0 Transmit Buffer 0 Transmit Complete Status Flag		R

- TMCSTSp Flags (p = 0 to 7)

When the TMTRF[1:0] flag in the TMSTSp register is set to B'10 (transmission has been completed (without transmit abort request)) or B'11 (transmission has been completed (with transmit abort request)), the corresponding TMCSTSp flag is set to 1.

These flags are cleared to 0 when the corresponding TMTRF [1:0] flag is set to B'00 or in channel reset mode.

18.3.65 CAN Transmit Buffer Transmit Abort Status Register (TMTASTS)

Address TMTASTS: F0378H

The TMTASTS register can be accessed in 16-bit units. In addition, the TMTASTS register can be accessed in 8-bit units as TMTASTSL, TMTASTSH register.

b15	b14	b13	b12	b11	b10	b9	b8	b7	b6	b5	b4	b3	b2	b1	b0
—	—	—	—	TMTA STS7	TMTA STS6	TMTA STS5	TMTA STS4	—	—	—	—	TMTA STS3	TMTA STS2	TMTA STS1	TMTA STS0

After Reset 0 0 0 0 0 0 0 0 0 0 0 0 0 0 0 0

Bit	Symbol	Bit Name	Description	R/W
15 to 12	—	Reserved	These bits are always read as 0.	R
11	TMTASTS7	CAN1 Transmit Buffer 7 Transmit Abort Status Flag	0: Transmission is not aborted. 1: Transmission is aborted.	R
10	TMTASTS6	CAN1 Transmit Buffer 6 Transmit Abort Status Flag		R
9	TMTASTS5	CAN1 Transmit Buffer 5 Transmit Abort Status Flag		R
8	TMTASTS4	CAN1 Transmit Buffer 4 Transmit Abort Status Flag		R
7 to 4	—	Reserved	These bits are always read as 0.	R
3	TMTASTS3	CAN0 Transmit Buffer 3 Transmit Abort Status Flag	0: Transmission is not aborted. 1: Transmission is aborted.	R
2	TMTASTS2	CAN0 Transmit Buffer 2 Transmit Abort Status Flag		R
1	TMTASTS1	CAN0 Transmit Buffer 1 Transmit Abort Status Flag		R
0	TMTASTS0	CAN0 Transmit Buffer 0 Transmit Abort Status Flag		R

- TMTASTSp Flags (p = 0 to 7)
 When the TMTRF[1:0] flag in the TMSTSp register is set to B'01 (transmit abort has been completed), the corresponding TMTASTSp flag is set to 1.
 These flags are cleared to 0 when the corresponding TMTRF[1:0] flag is set to B'00 or in channel reset mode.

18.3.66 CAN Transmit Buffer Interrupt Enable Register (TMIEC)

Address TMIEC: F037AH

The TMIEC register can be accessed in 16-bit units. In addition, the TMIEC register can be accessed in 8-bit units as TMIECL, TMIECH register.

	b15	b14	b13	b12	b11	b10	b9	b8	b7	b6	b5	b4	b3	b2	b1	b0
	—	—	—	—	TMIE7	TMIE6	TMIE5	TMIE4	—	—	—	—	TMIE3	TMIE2	TMIE1	TMIE0
After Reset	0	0	0	0	0	0	0	0	0	0	0	0	0	0	0	0

Bit	Symbol	Bit Name	Description	R/W
15 to 12	—	Reserved	These bits are always read as 0. The write value should always be 0.	R/W
11	TMIE7	CAN1 Transmit Buffer 7 Interrupt Enable	0: Transmit buffer interrupt is disabled. 1: Transmit buffer interrupt is enabled.	R/W
10	TMIE6	CAN1 Transmit Buffer 6 Interrupt Enable		R/W
9	TMIE5	CAN1 Transmit Buffer 5 Interrupt Enable		R/W
8	TMIE4	CAN1 Transmit Buffer 4 Interrupt Enable		R/W
7 to 4	—	Reserved	These bits are always read as 0. The write value should always be 0.	R/W
3	TMIE3	CAN0 Transmit Buffer 3 Interrupt Enable	0: Transmit buffer interrupt is disabled. 1: Transmit buffer interrupt is enabled.	R/W
2	TMIE2	CAN0 Transmit Buffer 2 Interrupt Enable		R/W
1	TMIE1	CAN0 Transmit Buffer 1 Interrupt Enable		R/W
0	TMIE0	CAN0 Transmit Buffer 0 Interrupt Enable		R/W

- TMIEp Bits (p = 0 to 7)

When any of these bits is set to 1 and the corresponding transmission has been completed, a transmit buffer interrupt request is generated.

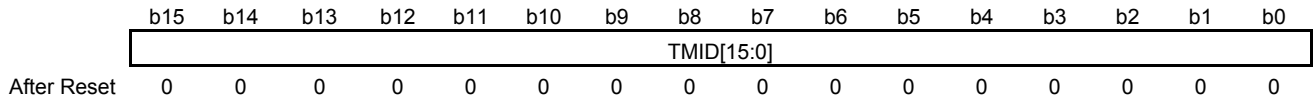
Modify these bits when the TMTRM flag in the corresponding TMSTSp register is 0 (no transmit request is present).

Write 0 to bits corresponding to transmit buffers linked to transmit/receive FIFO buffers.

18.3.67 CANi Transmit Buffer Register pAL (TMIDLp) (i = 0, 1, p = 0 to 7)

Address CAN0 Transmit Buffer Register pAL (p = 0 to 3)
 TMIDL0: F0600H, TMIDL1: F0610H, TMIDL2: F0620H, TMIDL3: F0630H
 CAN1 Transmit Buffer Register pAL (p = 4 to 7)
 TMIDL4: F0640H, TMIDL5: F0650H, TMIDL6: F0660H, TMIDL7: F0670H

The TMIDLp register can be accessed in 16-bit units. In addition, the TMIDLp register can be accessed in 8-bit units as TMIDLpL, TMIDLpH register.



Bit	Symbol	Bit Name	Description	R/W
15 to 0	TMIDL[15:0]	Transmit Buffer ID Data L	Set standard ID or extended ID. For standard ID, write an ID to bits 10 to 0 and write 0 to bits 15 to 11.	R/W

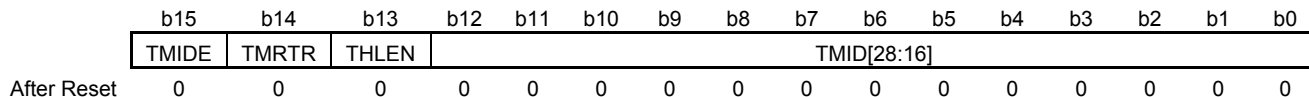
Modify this register when the TMTRM bit in the corresponding TMSTSp register is set to 0 (no transmit request is present). If this register is linked to any transmit/receive FIFO buffer, do not write data to this register.
 This register can be read/written when the RPAGE bit in the GRWCR register is 1.

- **TMIDL[15:0] Bits**
 These bits are used to set the ID of the message to be transmitted from the transmit buffer.

18.3.68 CANi Transmit Buffer Register pAH (TMIDHp) (i = 0, 1, p = 0 to 7)

Address CAN0 Transmit Buffer Register pAH (p = 0 to 3)
 TMIDH0: F0602H, TMIDH1: F0612H, TMIDH2: F0622H, TMIDH3: F0632H
 CAN1 Transmit Buffer Register pAH (p = 4 to 7)
 TMIDH4: F0642H, TMIDH5: F0652H, TMIDH6: F0662H, TMIDH7: F0672H

The TMIDHp register can be accessed in 16-bit units. In addition, the TMIDHp register can be accessed in 8-bit units as TMIDHpL, TMIDHpH register.



Bit	Symbol	Bit Name	Description	R/W
15	TMIDE	Transmit Buffer IDE	0: Standard ID 1: Extended ID	R/W
14	TMRTR	Transmit Buffer RTR	0: Data frame 1: Remote frame	R/W
13	THLEN	Transmit History Data Store Enable	0: Transmit history data is not stored in the buffer. 1: Transmit history data is stored in the buffer.	R/W
12 to 0	TMID[28:16]	Transmit Buffer ID Data H	Set standard ID or extended ID. For standard ID, write 0 to these bits.	R/W

Modify this register when the TMTRM bit in the corresponding TMSTSp register is set to 0 (no transmit request is present). If this register is linked to any transmit/receive FIFO buffer, do not write data to this register.

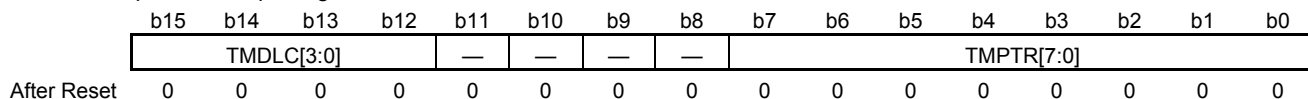
This register can be read/written when the RPAGE bit in the GRWCR register is 1.

- **TMIDE Bit**
This bit is used to set the ID format of the message to be transmitted from the transmit buffer.
- **TMRTR Bit**
This bit is used to set the data format of the message to be transmitted from the transmit buffer.
- **THLEN Bit**
When this bit is set to 1, the transmit history data (label information, buffer number, and buffer type) of transmit messages is stored in the transmit history buffer after transmission is completed.
- **TMID[28:16] Bits**
These bits are used to set the ID of the message to be transmitted from the transmit buffer.

18.3.69 CANi Transmit Buffer Register pBH (TMPTRp) (i = 0, 1, p = 0 to 7)

Address CAN0 Transmit Buffer Register pBH (p = 0 to 3)
 TMPTR0: F0606H, TMPTR1: F0616H, TMPTR2: F0626H, TMPTR3: F0636H
 CAN1 Transmit Buffer Register pBH (p = 4 to 7)
 TMPTR4: F0646H, TMPTR5: F0656H, TMPTR6: F0666H, TMPTR7: F0676H

The TMPTRp register can be accessed in 16-bit units. In addition, the TMPTRp register can be accessed in 8-bit units as TMPTRpL, TMPTRpH register.



Bit	Symbol	Bit Name	Description	R/W																																																		
15 to 12	TMDLC[3:0]	Transmit Buffer DLC Data	<table style="width: 100%; border-collapse: collapse;"> <tr> <td style="width: 5%;">b15</td><td style="width: 5%;">b14</td><td style="width: 5%;">b13</td><td style="width: 5%;">b12</td><td style="width: 10%;"></td> </tr> <tr> <td>0</td><td>0</td><td>0</td><td>0</td><td>: 0 data bytes</td> </tr> <tr> <td>0</td><td>0</td><td>0</td><td>1</td><td>: 1 data byte</td> </tr> <tr> <td>0</td><td>0</td><td>1</td><td>0</td><td>: 2 data bytes</td> </tr> <tr> <td>0</td><td>0</td><td>1</td><td>1</td><td>: 3 data bytes</td> </tr> <tr> <td>0</td><td>1</td><td>0</td><td>0</td><td>: 4 data bytes</td> </tr> <tr> <td>0</td><td>1</td><td>0</td><td>1</td><td>: 5 data bytes</td> </tr> <tr> <td>0</td><td>1</td><td>1</td><td>0</td><td>: 6 data bytes</td> </tr> <tr> <td>0</td><td>1</td><td>1</td><td>1</td><td>: 7 data bytes</td> </tr> <tr> <td>1</td><td>X</td><td>X</td><td>X</td><td>: 8 data bytes</td> </tr> </table>	b15	b14	b13	b12		0	0	0	0	: 0 data bytes	0	0	0	1	: 1 data byte	0	0	1	0	: 2 data bytes	0	0	1	1	: 3 data bytes	0	1	0	0	: 4 data bytes	0	1	0	1	: 5 data bytes	0	1	1	0	: 6 data bytes	0	1	1	1	: 7 data bytes	1	X	X	X	: 8 data bytes	R/W
b15	b14	b13	b12																																																			
0	0	0	0	: 0 data bytes																																																		
0	0	0	1	: 1 data byte																																																		
0	0	1	0	: 2 data bytes																																																		
0	0	1	1	: 3 data bytes																																																		
0	1	0	0	: 4 data bytes																																																		
0	1	0	1	: 5 data bytes																																																		
0	1	1	0	: 6 data bytes																																																		
0	1	1	1	: 7 data bytes																																																		
1	X	X	X	: 8 data bytes																																																		
11 to 8	—	Reserved	These bits are always read as 0. The write value should always be 0.	R																																																		
7 to 0	TMPTR[7:0]	Transmit Buffer Label Data	Set the label information to be stored in the transmit history buffer.	R/W																																																		

Modify this register when the TMTRM bit in the corresponding TMSTSp register is set to 0 (no transmit request is present). If this register is linked to any transmit/receive FIFO buffer, do not write data to this register.

This register can be read/written when the RPAGE bit in the GRWCR register is 1.

- **TMDLC[3:0] Bits**
 These bits are used to set the data length of the message to be transmitted from the transmit buffer when the TMRTR bit in the TMIDHp register is set to 0 (data frame). If a 9-byte (or more) data length is set, 8 bytes of data is actually transmitted.
 When the TMRTR bit is set to 1 (remote frame), set the data length of messages to be requested.
- **TMPTR[7:0] Bits**
 When message transmission has been completed, the TMPTR[7:0] value is stored in the transmit history buffer.

18.3.70 CANi Transmit Buffer Register pCL (TMDF0p) (i = 0, 1, p = 0 to 7)

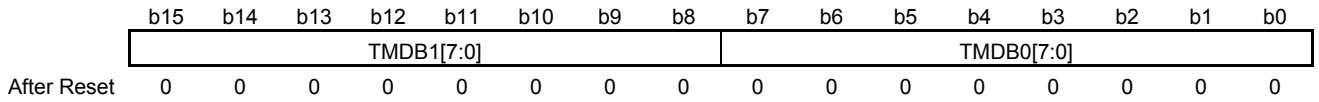
Address CAN0 Transmit Buffer Register pCL (p = 0 to 3)

TMDF00: F0608H, TMDF01: F0618H, TMDF02: F0628H, TMDF03: F0638H

CAN1 Transmit Buffer Register pCL (p = 4 to 7)

TMDF04: F0648H, TMDF05: F0658H, TMDF06: F0668H, TMDF07: F0678H

The TMDF0p register can be accessed in 16-bit units. In addition, the TMDF0p register can be accessed in 8-bit units as TMDF0pL, TMDF0pH register.



Bit	Symbol	Bit Name	Description	R/W
15 to 8	TMDB1[7:0]	Transmit Buffer Data Byte 1	Set transmit buffer data.	R/W
7 to 0	TMDB0[7:0]	Transmit Buffer Data Byte 0		R/W

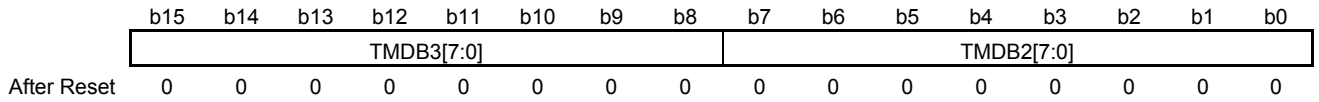
Modify this register when the TMTRM bit in the corresponding TMSTSp register is set to 0 (no transmit request is present). If this register is linked to any transmit/receive FIFO buffer, do not write data to this register.

This register can be read/written when the RPAGE bit in the GRWCR register is 1.

18.3.71 CANi Transmit Buffer Register pCH (TMDF1p) (i = 0, 1, p = 0 to 7)

Address CAN0 Transmit Buffer Register pCH (p = 0 to 3)
 TMDF10: F060AH, TMDF11: F061AH, TMDF12: F062AH, TMDF13: F063AH
 CAN1 Transmit Buffer Register pCH (p = 4 to 7)
 TMDF14: F064AH, TMDF15: F065AH, TMDF16: F066AH, TMDF17: F067AH

The TMDF1p register can be accessed in 16-bit units. In addition, the TMDF1p register can be accessed in 8-bit units as TMDF1pL, TMDF1pH register.



Bit	Symbol	Bit Name	Description	R/W
15 to 8	TMDB3[7:0]	Transmit Buffer Data Byte 3	Set transmit buffer data.	R/W
7 to 0	TMDB2[7:0]	Transmit Buffer Data Byte 2		R/W

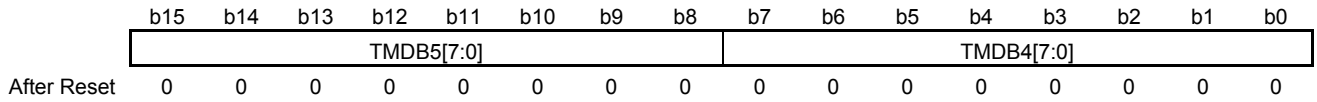
Modify this register when the TMTRM bit in the corresponding TMSTSp register is set to 0 (no transmit request is present). If this register is linked to any transmit/receive FIFO buffer, do not write data to this register.

This register can be read/written when the RPAGE bit in the GRWCR register is 1.

18.3.72 CANi Transmit Buffer Register pDL (TMDF2p) (i = 0, 1, p = 0 to 7)

Address CAN0 Transmit Buffer Register pDL (p = 0 to 3)
 TMDF20: F060CH, TMDF21: F061CH, TMDF22: F062CH, TMDF23: F063CH
 CAN1 Transmit Buffer Register pDL (p = 4 to 7)
 TMDF24: F064CH, TMDF25: F065CH, TMDF26: F066CH, TMDF27: F067CH

The TMDF2p register can be accessed in 16-bit units. In addition, the TMDF2p register can be accessed in 8-bit units as TMDF2pL, TMDF2pH register.



Bit	Symbol	Bit Name	Description	R/W
15 to 8	TMDB5[7:0]	Transmit Buffer Data Byte 5	Set transmit buffer data.	R/W
7 to 0	TMDB4[7:0]	Transmit Buffer Data Byte 4		R/W

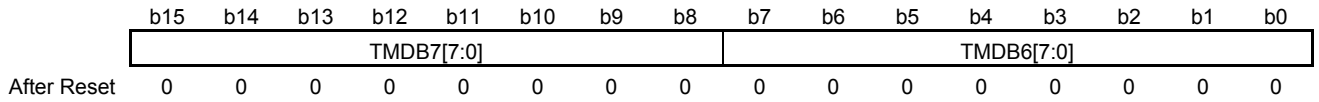
Modify this register when the TMTRM bit in the corresponding TMSTSp register is set to 0 (no transmit request is present). If this register is linked to any transmit/receive FIFO buffer, do not write data to this register.

This register can be read/written when the RPAGE bit in the GRWCR register is 1.

18.3.73 CANi Transmit Buffer Register pDH (TMDF3p) (i = 0, 1, p = 0 to 7)

Address CAN0 Transmit Buffer Register pDH (p = 0 to 3)
 TMDF30: F060EH, TMDF31: F061EH, TMDF32: F062EH, TMDF33: F063EH
 CAN1 Transmit Buffer Register pDH (p = 4 to 7)
 TMDF34: F064EH, TMDF35: F065EH, TMDF36: F066EH, TMDF37: F067EH

The TMDF3p register can be accessed in 16-bit units. In addition, the TMDF3p register can be accessed in 8-bit units as TMDF3pL, TMDF3pH register.



Bit	Symbol	Bit Name	Description	R/W
15 to 8	TMDB7[7:0]	Transmit Buffer Data Byte 7	Set transmit buffer data.	R/W
7 to 0	TMDB6[7:0]	Transmit Buffer Data Byte 6		R/W

Modify this register when the TMTRM bit in the corresponding TMSTSp register is set to 0 (no transmit request is present). If this register is linked to any transmit/receive FIFO buffer, do not write data to this register.

This register can be read/written when the RPAGE bit in the GRWCR register is 1.

18.3.74 CANi Transmit History Buffer Control Register (THLCCi) (i = 0, 1)

Address THLCC0: F037CH, THLCC1: F037EH

The THLCCi register can be accessed in 16-bit units. In addition, the THLCCi register can be accessed in 8-bit units as THLCCiL, THLCCiH register.

b15	b14	b13	b12	b11	b10	b9	b8	b7	b6	b5	b4	b3	b2	b1	b0
—	—	—	—	—	THL DTE	THL IM	THL IE	—	—	—	—	—	—	—	THL E

After Reset 0 0 0 0 0 0 0 0 0 0 0 0 0 0 0 0

Bit	Symbol	Bit Name	Description	R/W
15 to 11	—	Reserved	These bits are always read as 0. The write value should always be 0.	R
10	THLDTE	Transmit History Target Buffer Select	0: Entry from transmit/receive FIFO buffers 1: Entry from transmit buffers, transmit/receive FIFO buffers	R/W
9	THLIM	Transmit History Interrupt Source Select	0: When 6 sets of data have been stored in the transmit history buffer 1: When a single set of transmit history data has been stored	R/W
8	THLIE	Transmit History Interrupt Enable	0: Transmit history interrupt is disabled. 1: Transmit history interrupt is enabled.	R/W
7 to 1	—	Reserved	These bits are always read as 0. The write value should always be 0.	R
0	THLE	Transmit History Buffer Enable	0: Transmit history buffer is not used. 1: Transmit history buffer is used.	R/W

- THLDTE Bit**

When this bit is set to 0, the transmit history data of messages transmitted from transmit/receive FIFO buffers is stored in the transmit history buffer. When this bit is set to 1, the transmit history data of messages transmitted from transmit buffers and transmit/receive FIFO buffers is stored in the transmit history buffer.

Modify this bit only in channel reset mode.
- THLIM Bit**

This bit is used to select a transmit history interrupt source.

Modify this bit only in channel reset mode.
- THLIE Bit**

When the THLIE bit is set to 1 and the source selected by the THLIM bit has occurred, a transmit history interrupt request is generated. Modify the THLIE bit with the THLE bit set to 0.
- THLE Bit**

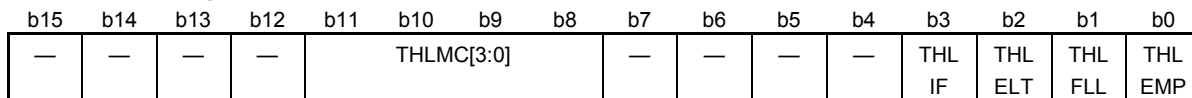
Setting this bit to 1 makes the transmit history buffer available. When data transmission from the buffer selected by the THLDTE bit has been completed, the transmit history data of transmit messages is stored in the transmit history buffer.

Modify this bit only in channel communication mode or channel halt mode.

18.3.75 CANi Transmit History Buffer Status Register (THLSTSi) (i = 0, 1)

Address THLSTS0: F0380H, THLSTS1: F0382H

The THLSTSi register can be accessed in 16-bit units. In addition, the THLSTSi register can be accessed in 8-bit units as THLSTSiL, THLSTSiH register.



After Reset 0 0 0 0 0 0 0 0 0 0 0 0 0 0 0 1

Bit	Symbol	Bit Name	Description	R/W
15 to 12	—	Reserved	These bits are always read as 0. The write value should always be 0.	R
11 to 8	THLMC[3:0]	Transmit History Buffer Unread Data Counter	These bits indicate the number of unread data sets stored in the transmit history buffer.	R
7 to 4	—	Reserved	These bits are always read as 0. The write value should always be 0.	R
3	THLIF	Transmit History Interrupt Request Flag	0: No transmit history interrupt request is present. 1: A transmit history interrupt request is present.	R/(W) ^{Note}
2	THLELT	Transmit History Buffer Overflow Flag	0: Transmit history buffer overflow has not occurred. 1: Transmit history buffer overflow has occurred.	R/(W) ^{Note}
1	THLFLL	Transmit History Buffer Full Status Flag	0: Transmit history buffer is not full. 1: Transmit history buffer is full.	R
0	THLEMP	Transmit History Buffer Empty Status Flag	0: Transmit history buffer contains unread data. 1: Transmit history buffer contains no unread data (buffer empty).	R

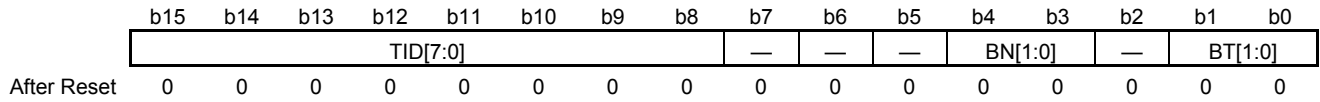
Note The only effective value for writing to this flag bit is 0, which clears the bit. Otherwise writing to the bit results in retention of its state. To write 0 to this flag bit, write by using an 8-bit data transfer instruction or a 16-bit data transfer instruction.

- **THLMC[3:0] Bits**
These bits indicate the number of unread data sets stored in the transmit history buffer.
- **THLIF Flag**
The THLIF flag is set to 1 when the interrupt source set by the THLIM bit in the THLCCi register has occurred. This flag is cleared to 0 in channel reset mode or by writing 0 to this flag by the program.
- **THLELT Flag**
The THLELT flag is set to 1 when it is attempted to store new transmit history data while the transmit history buffer is full. In this case, the new data is discarded. This flag becomes 0 in channel reset mode or by writing 0 to this flag by the program.
- **THLFLL Flag**
The THLFLL flag is set to 1 when 8 data sets have been stored in the transmit history buffer, and is cleared to 0 when the number of data sets stored in the transmit history buffer has decreased to less than 8. This bit is also cleared to 0 in channel reset mode or when the THLE bit in the THLCCi register is set to 0 (transmit history buffer is not used).
- **THLEMP Flag**
The THLEMP flag is cleared to 0 when even a single set of transmit history data has been stored in the transmit history buffer.
This flag is set to 1 when all the data in the transmit history buffer has been read. This flag is also set to 1 in channel reset mode or when the THLE bit in the THLCCi register is set to 0 (transmit history buffer is not used).

18.3.76 CANi Transmit History Buffer Access Register (THLACCi) (i = 0, 1)

Address THLACC0: F0680H, THLACC1: F0684H

The THLACCi register can be accessed in 16-bit units. In addition, the THLACCi register can be accessed in 8-bit units as THLACCiL, THLACCiH register.



Bit	Symbol	Bit Name	Description	R/W									
15 to 8	TID[7:0]	Label Data	The label information of stored data can be read.	R									
7 to 5	—	Reserved	These bits are always read as 0.	R									
4, 3	BN[1:0]	Buffer Number Data	The buffer number of transmit source (transmit buffer or transmit/receive FIFO) can be read.	R									
2	—	Reserved	This bit is always read as 0.	R									
1, 0	BT[1:0]	Buffer Type Data	<table style="font-size: small; border: none;"> <tr> <td style="padding-right: 10px;">b1</td><td>b0</td><td></td> </tr> <tr> <td>0</td><td>1</td><td>: Transmit buffer</td> </tr> <tr> <td>1</td><td>0</td><td>: Transmit FIFO buffer</td> </tr> </table>	b1	b0		0	1	: Transmit buffer	1	0	: Transmit FIFO buffer	R
b1	b0												
0	1	: Transmit buffer											
1	0	: Transmit FIFO buffer											

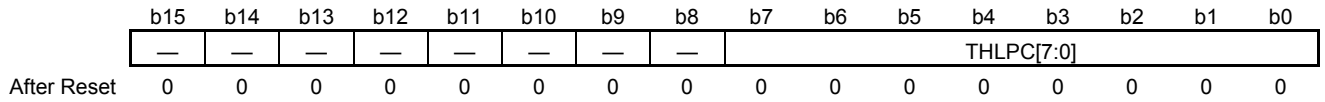
This register can be read when the RPAGE bit in the GRWCR register is 1.

- TID [7:0] Bits
These bits indicate the label information of transmit history data stored in the transmit history buffer.
- BN[1:0] Bits
These bits indicate the transmit source buffer number of transmit history data stored in the transmit history buffer.
- BT[1:0] Bits
These bits indicate the transmit source buffer type of transmit history data stored in the transmit history buffer.

18.3.77 CANi Transmit History Buffer Pointer Control Register (THLPCTRi) (i = 0, 1)

Address THLPCTR0: F0384H, THLPCTR1: F0386H

The THLPCTRi register can be accessed in 16-bit units. In addition, the THLPCTRi register can be accessed in 8-bit units as THLPCTRiL, THLPCTRiH register.



Bit	Symbol	Bit Name	Description	R/W
15 to 8	—	Reserved	The write value should always be 0.	R
7 to 0	THLPC[7:0]	Transmit History Buffer Pointer	Writing H'FF to these bits moves the read pointer to the next unread data in the transmit history buffer.	W

- THLPC [7:0] Bits

When the THLPC [7:0] bits are set to H'FF, the read pointer moves to the next data in the transmit history buffer. At this time, the THLMC[3:0] (transmit history buffer unread data counter) value in the THLSTSi register is decremented. After reading the THLACCi register, write H'FF to the THLPC [7:0] bits. Write H'FF to the THLPC[7:0] bits when the THLE bit in the THLCCi register is set to 1 (transmit history buffer is used) and the THLEMP flag in the THLSTSi register is 0.

18.3.78 CAN Global RAM Window Control Register (GRWCR)

Address GRWCR: F038AH

The GRWCR register can be accessed in 16-bit units. In addition, the GRWCR register can be accessed in 8-bit units as GRWCRL, GRWCRH register.

	b15	b14	b13	b12	b11	b10	b9	b8	b7	b6	b5	b4	b3	b2	b1	b0
	—	—	—	—	—	—	—	—	—	—	—	—	—	—	—	RPA GE
After Reset	0	0	0	0	0	0	0	0	0	0	0	0	0	0	0	0

Bit	Symbol	Bit Name	Description	R/W
15 to 1	—	Reserved	These bits are always read as 0. The write value should always be 0.	R
0	RPAGE	RAM Window Select	0: Selects window 0 (receive rule entry registers, CAN RAM test registers) 1: Selects window 1 (receive buffer, receive FIFO buffer, transmit/receive FIFO buffer, transmit buffer, transmit history data access register)	R/W

- **RPAGE Bit**

This bit is used to select a window for the switching of registers that are allocated to addresses from H'F03A0 to H'F0689.

[Registers allocated when the RPAGE bit is set to 0 (window 0 selected)]

- CAN receive rule entry registers: GAFLIDLj, GAFLIDHj, GAFLMLj, GAFLMHj, GAFLPLj, GAFLPHj
- CAN RAM test registers: RPGACCr

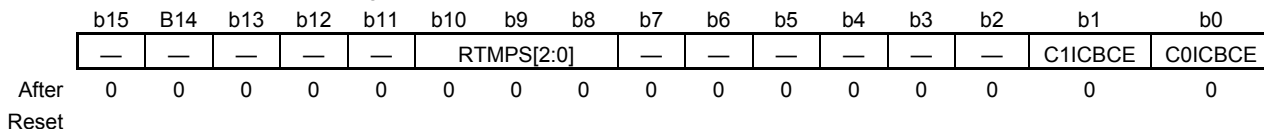
[Registers allocated when the RPAGE bit is set to 1 (window 1 selected)]

- CAN receive buffer registers: RMIDLn, RMIDHn, RMTSn, RMPTRn, RMDF0n to RMDF3n
- CAN receive FIFO access registers: RFIDLm, RFIDHm, RFTSm, RFPTRm, RFDF0m to RFDF3m
- CANi transmit/receive FIFO access registers: CFIDLk, CFIDHk, CFTSk, CFPTRk, CFDF0k to CFDF3k
- CANi transmit buffer registers: TMIDLp, TMIDHp, TMPTRp, TMDF0p to TMDF3p
- CANi transmit history buffer access register: THLACCi

18.3.79 CAN Global Test Configuration Register (GTSTCFG)

Address GTSTCFG: F038CH

The GTSTCFG register can be accessed in 16-bit units. In addition, the GTSTCFG register can be accessed in 8-bit units as GTSTCFGL, GTSTCFGH register.



Bit	Symbol	Bit Name	Description	R/W
15 to 11	—	Reserved	These bits are always read as 0. The write value should always be 0.	R
10 to 8	RTMPS[2:0]	RAM Test Page Configuration	Set a value within a range of page 0 (H'00) to page 5 (H'05).	R/W
7 to 0	—	Reserved	These bits are always read as 0. The write value should always be 0.	R
1	C1ICBCE	CAN1 Inter-Channel Communication Test Enable	0: CAN1 inter-channel communication test is disabled. 1: CAN1 inter-channel communication test is enabled.	R/W
0	C0ICBCE	CAN0 Inter-Channel Communication Test Enable	0: CAN0 inter-channel communication test is disabled. 1: CAN0 inter-channel communication test is enabled.	R/W

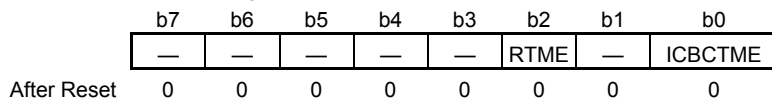
Modify the GTSTCFG register only in global test mode.

- RTMPS[2:0] Bits
These bits are used to set the RAM test target page number for RAM test. Set a value from H'00 to H'05.
- CiICBCE Bits (i = 0, 1)
In the case that setting 1 to the CiICBCE bits (i = 0, 1), the inter-channel communication test of the corresponding channel will be permitted.

18.3.80 CAN Global Test Control Register (GTSTCTRL)

Address GTSTCTRL: F038EH

The GTSTCTRL register can be accessed in 8-bit units.



Bit	Symbol	Bit Name	Description	R/W
7 to 3	—	Reserved	These bits are always read as 0. The write value should always be 0.	R
2	RTME	RAM Test Enable	0: RAM test is disabled. 1: RAM test is enabled.	R/W
1	—	Reserved	These bits are always read as 0. The write value should always be 0.	R
0	ICBCTME	Communication Test between Channels Enable	0: Communication test between channels disabled 1: Communication test between channels enabled	R

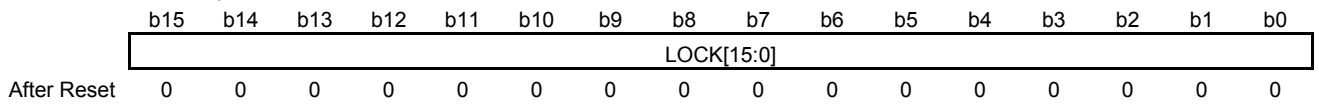
- **RTME Bit**
 Setting this bit to 1 enables RAM test. Modify this bit only in global test mode.
 - (1) Set the GMDC[1:0] bits in the GCTRL register to B'10 (global test mode).
 - (2) Release protection by successively writing H'7575 and H'8A8A to the GLOCKK register.
 - (3) Set the RTME bit to 1.
 - (4) Check that the RTME bit is set to 1.

- **ICBCTME Bit**
 When this bit is set to 1, a communication test is enabled between the channels for which the CiICBCE bit (i = 0, 1) in the GTSTCFG register has been set to 1. Modify the ICBCTME bit only in global test mode.

18.3.81 CAN Global Test Protection Unlock Register (GLOCKK)

Address GLOCKK: F0394H

The GLOCKK register can be accessed in 8-bit units.



Bit	Symbol	Bit Name	Description	R/W
15 to 0	LOCK[15:0]	Protection Unlock Data	Write protection unlock data to use test functions. These bits are always read as 0.	W

Modify the GLOCKK register only in global test mode.

- LOCK[15:0] Bits
Write the protection unlock data shown in Table 18-4 to the LOCK[15:0] bits in succession to allow writing 1 to the target bit.

Table 18-4. Protection Unlock Data for Test Functions

Test Function	Protection Unlock Data 1	Protection Unlock Data 2	Target Bit
RAM test	H'7575	H'8A8A	RTME bit in the GTSTCTRL register

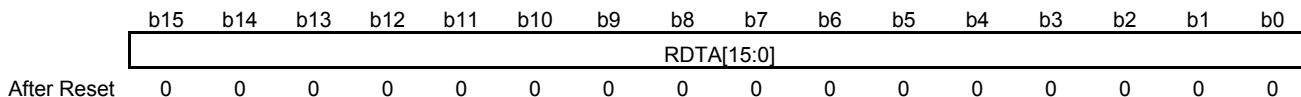
Writing data to the CAN's SFR area (H'F0300 to H'F039F) except the RAM area after protection is unlocked enables protection again.

Protection is not enabled even by reading data from the CAN's SFR area or reading/writing data from/to other areas.

18.3.82 CAN RAM Test Register r (RPGACCr) (r = 0 to 127)

Address	RPGACC0 to RPGACC7	; F0580H, F0582H, F0584H, F0586H, F0588H, F058AH, F058CH, F058EH
	RPGACC8 to RPGACC15	; F0590H, F0592H, F0594H, F0596H, F0598H, F059AH, F059CH, F059EH
	RPGACC16 to RPGACC23	; F05A0H, F05A2H, F05A4H, F05A6H, F05A8H, F05AAH, F05ACH, F05AEH
	RPGACC24 to RPGACC31	; F05B0H, F05B2H, F05B4H, F05B6H, F05B8H, F05BAH, F05BCH, F05BEH
	RPGACC32 to RPGACC39	; F05C0H, F05C2H, F05C4H, F05C6H, F05C8H, F05CAH, F05CCH, F05CEH
	RPGACC40 to RPGACC47	; F05D0H, F05D2H, F05D4H, F05D6H, F05D8H, F05DAH, F05DCH, F05DEH
	RPGACC48 to RPGACC55	; F05E0H, F05E2H, F05E4H, F05E6H, F05E8H, F05EAH, F05ECH, F05EEH
	RPGACC56 to RPGACC63	; F05F0H, F05F2H, F05F4H, F05F6H, F05F8H, F05FAH, F05FCH, F05FEH
	RPGACC64 to RPGACC71	; F0600H, F0602H, F0604H, F0606H, F0608H, F060AH, F060CH, F060EH
	RPGACC72 to RPGACC79	; F0610H, F0612H, F0614H, F0616H, F0618H, F061AH, F061CH, F061EH
	RPGACC80 to RPGACC87	; F0620H, F0622H, F0624H, F0626H, F0628H, F062AH, F062CH, F062EH
	RPGACC88 to RPGACC95	; F0630H, F0632H, F0634H, F0636H, F0638H, F063AH, F063CH, F063EH
	RPGACC96 to RPGACC103	; F0640H, F0642H, F0644H, F0646H, F0648H, F064AH, F064CH, F064EH
	RPGACC104 to RPGACC111	; F0650H, F0652H, F0654H, F0656H, F0658H, F065AH, F065CH, F065EH
	RPGACC112 to RPGACC119	; F0660H, F0662H, F0664H, F0666H, F0668H, F066AH, F066CH, F066EH
	RPGACC120 to RPGACC127	; F0670H, F0672H, F0674H, F0676H, F0678H, F067AH, F067CH, F067EH

The RPGACCr register can be accessed in 16-bit units. In addition, the RPGACCr register can be accessed in 8-bit units as RPGACCrL, RPGACCrH register.



Description	R/W
Data can be read and written in CAN RAM.	R/W

Modify the RPGACCr register in global test mode with the RTME bit in the GTSTCTRL register set to 1 (RAM test is enabled). The RPGACCr register is readable and writable when the RTME bit is set to 1.

This register can be read/written when the RPAGE bit in the GRWCR register is 0.

18.4 CAN Modes

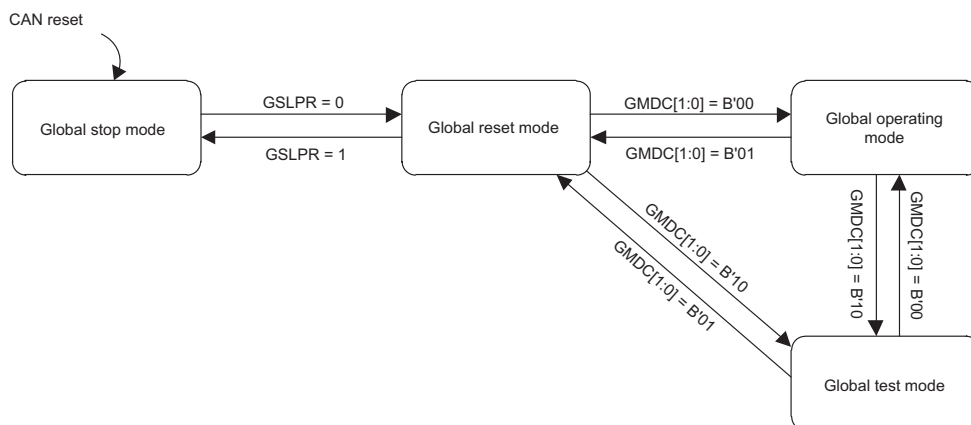
The CAN module has four global modes to control entire CAN module status and four channel modes to control individual channel status. Details of global modes are described in 18.4.1, and details of channel modes are described in 18.4.2.

- Global stop mode : Stops clocks of entire module to achieve low power consumption.
- Global reset mode : Performs initial settings for entire module.
- Global test mode : Performs test settings and performs RAM test.
- Global operating mode : Makes entire module operable.
- Channel stop mode : Stops channel clock.
- Channel reset mode : Performs initial settings for channels.
- Channel halt mode : Stops CAN communication and enables channel test.
- Channel communication mode : Performs CAN communication.

18.4.1 Global Modes

Figure 18-2 shows the transitions of global modes.

Figure 18-2. Transitions of Global Modes



Remark GSLPR, GMDC[1:0]: Bits in the GCTRL register

Channel modes transition in some cases with transitions of global modes. Table 18-5 shows the transitions of channel modes depending on the global mode setting by the GMDC[1:0] bits and the GSLPR bit.

Table 18-5. Transitions of Channel Modes Depending on Global Mode Setting (GMDC[1:0] and GSLPR Bits)

Channel Mode before Setting	Channel Mode after Setting ^{Note}			
	GMDC[1:0] = B'00 GSLPR = 0 (Global Operation)	GMDC[1:0] = B'10 GSLPR = 0 (Global Test)	GMDC[1:0] = B'01 GSLPR = 0 (Global Reset)	GMDC[1:0] = B'01 GSLPR = 1 (Global Stop)
Channel communication	Channel communication	Channel halt	Channel reset	Transition prohibited
Channel halt	Channel halt	Channel halt	Channel reset	Transition prohibited
Channel reset	Channel reset	Channel reset	Channel reset	Channel stop
Channel stop	Channel stop	Channel stop	Channel stop	Channel stop

Note GMDC[1:0], GSLPR: Bits in the GCTRL register

Table 18-6 shows the global mode transition time.

Table 18-6. Global Mode Transition Time

Mode before Transition	Mode after Transition	Maximum Transition Time
Global stop	Global reset	3 f_{CLK} cycles
Global reset	Global stop	3 f_{CLK} cycles
Global reset	Global test	10 f_{CLK} cycles
Global reset	Global operating	10 f_{CLK} cycles
Global test	Global reset	3 f_{CLK} cycles
Global test	Global operating	3 f_{CLK} cycles
Global operating	Global reset	3 f_{CLK} cycles
Global operating	Global test	Two CAN frames

(1) Global Stop Mode

In global stop mode, clocks of the CAN do not run and therefore power consumption is reduced. CAN registers can be read, but writing data to them is prohibited. Register values are retained.

After the operation of the CAN module is enabled, the CAN module transitions to global stop mode. Setting the GSLPR bit in the GCTRL register to 1 (in global stop mode) in global reset mode sets the CSLPR bit in each of the CiCTRL register to 1 (channel stop mode). If all channels are forcibly caused to transition to channel stop mode, the CAN module transitions to global stop mode. The GSLPR bit should not be modified in global operating mode and global test mode.

(2) Global Reset Mode

In global reset mode, CAN module settings are performed. When the CAN module transitions to global reset mode, some registers are initialized. Table 18-9 and Table 18-10 list the registers to be initialized.

Setting the GMDC[1:0] bits in the GCTRL register to B'01 sets the CHMDC[1:0] bits in each of the CiCTRL register to B'01 (channel reset mode). If all channels are forcibly caused to transition to channel reset mode, the CAN module transitions to global reset mode. Channels that are already in channel reset mode or channel stop mode do not transition (because the CHMDC[1:0] bits have already been set to B'01).

(3) Global Test Mode

In global test mode, settings for test-related registers are performed. When the CAN module transitions to global test mode, all CAN communications are disabled.

Setting the GMDC[1:0] bits in the GCTRL register to B'10 sets the CHMDC[1:0] bits in each of the CiCTRL register to B'10 (channel halt mode). If all channels are forcibly caused to transition to channel halt mode, the CAN module transitions to global test mode. Channels that are in channel stop mode, channel reset mode, or channel halt mode do not transition.

(4) Global Operating Mode

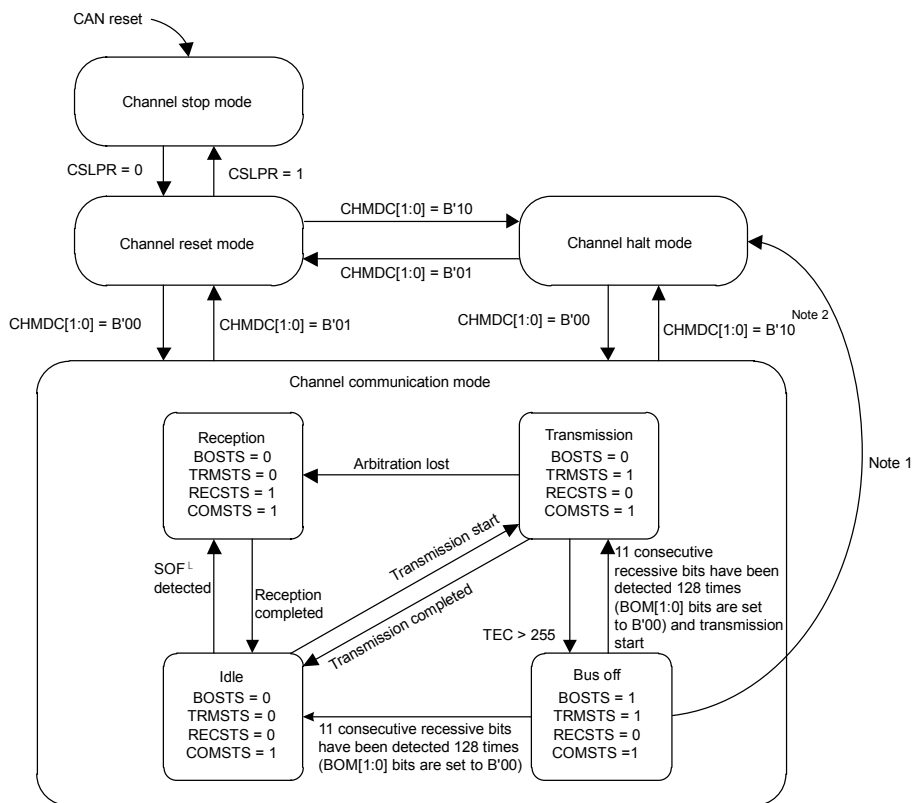
In global operating mode, entire CAN module operates.

When the GMDC[1:0] bits in the GCTRL register are set to B'00, the CAN module transitions to global operating mode.

18.4.2 Channel Modes

Figure 18-3 shows a channel mode state transition chart. Table 18-7 shows the channel mode transition time (i = 0, 1).

Figure 18-3. Channel Mode State Transition Chart



- Notes1. Timing of transition from bus off state to channel halt mode
 When BOM[1:0] = B'01: Transition to channel halt mode when TEC exceeds 255
 When BOM[1:0] = B'10: Transition to channel halt mode when 11 consecutive recessive bits have been detected 128 times
 When BOM[1:0] = B'11: Transition to channel halt mode when the CHMDC[1:0] bits are set to B'10
 2. While the CAN bus is locked at the dominant level, transition to channel halt mode is not made. In that case, enter channel reset mode.

Remark CHMDC[1:0], CSLPR: Bits in the CiCTRL register
 BOM[1:0]: Bits in the CiCTRHL register
 BOSTS, TRMSTS, RECSTS, COMSTS: Bits in the CiSTSL register
 TEC: Bits in the CiSTSH register
 (i = 0, 1)

Table 18-7. Channel Mode Transition Time (i = 0, 1)

Mode before Transition	Mode after Transition	Maximum Transition Time
Channel stop	Channel reset	3 f _{CLK} cycles
Channel reset	Channel stop	3 f _{CLK} cycles
Channel reset	Channel halt	3 CAN _i bit times
Channel reset	Channel communication	2 CAN _i bit times
Channel halt	Channel reset	3 f _{CLK} cycles
Channel halt	Channel communication	3 CAN _i bit times
Channel communication	Channel reset	3 f _{CLK} cycles
Channel communication	Channel halt	2 CAN _i frames

(1) Channel Stop Mode

In channel stop mode, clocks are not supplied to channels and therefore power consumption is reduced. CAN registers can be read, but writing data to them is prohibited. Register values are retained.

Each channel enters channel stop mode after the operation of the CAN module is enabled. The channel transitions to channel stop mode when the CSLPR bit in the CiCTRL register is set to 1 (channel stop mode) in channel reset mode. The CSLPR bit should not be modified in channel communication mode and channel halt mode.

(2) Channel Reset Mode

In channel reset mode, channel settings are performed. When a channel transitions to channel reset mode, some channel-related registers are initialized. Table 18-9 lists the registers to be initialized.

When the CHMDC[1:0] bits in the CiCTRL register are set to B'01 (channel reset mode) during CAN communication, communication is terminated before it is completed and the channel transitions to channel reset mode. Table 18-8 shows the operation when the CHMDC[1:0] bits are set to B'01 (channel reset mode) during CAN communication.

(3) Channel Halt Mode

In channel halt mode, settings for test-related registers of channels are performed. When a channel transitions to channel halt mode, CAN communication of the channel stops.

Table 18-8 shows operation when the CHMDC[1:0] bits are set to B'10 (channel halt mode) during CAN communication.

Table 18-8. Operation when a Channel Transitions to Channel Reset Mode/Channel Halt Mode

Mode	During Reception	During Transmission	Bus Off State
Channel reset (CHMDC[1:0] = B'01)	Transitions to channel reset mode before reception is completed. <small>Note 1</small>	Transitions to channel reset mode before transmission is completed. <small>Note 1</small>	Transitions to channel reset mode before bus off recovery.
Channel halt <small>Note 3</small> (CHMDC[1:0] = B'10)	Transitions to channel halt mode after reception is completed. <small>Note 2</small>	Transitions to channel halt mode after transmission is completed. <small>Note 2</small>	[When BOM[1:0] = B'00] Transitions to channel halt mode (CHMDC[1:0] = B'10) only after bus off recovery. [When BOM[1:0] = B'01] Transitions to channel halt mode automatically when the condition for transition to bus off state is met. [When BOM[1:0] = B'10] Transitions to channel halt mode automatically after bus off recovery. [When BOM[1:0] = B'11] Transitions to channel halt mode immediately after the CHMDC[1:0] bits are set to B'10 before bus off recovery.

- Notes 1.** To allow transition to channel reset mode after communication is completed, set the CHMDC[1:0] bits to B'10 and confirm that communication has been completed and transition to channel halt mode has been made, and then set the CHMDC[1:0] bits to B'01.
- 2.** While the CAN bus is locked at the dominant level, transition to channel halt mode is not made. In that case, enter channel reset mode. The CAN bus status can be confirmed with the BLF flag of the CiERFLL register that becomes 1 when dominant lock is detected.
- 3.** In case of a transition from channel reset mode to channel halt mode, transition to channel halt mode after setting the CiCFGL and CiCFGH registers in channel reset mode.

(4) Channel Communication Mode

In channel communication mode, CAN communication is performed. Each channel has the following communication states during CAN communication.

- Idle : Neither reception nor transmission is in progress.
- Reception : Receiving a message sent from another node.
- Transmission: Transmitting a message.
- Bus off : Isolated from CAN communication.

When the CHMDC[1:0] bits in the CiCTRL register are set to B'00, the channel transitions to channel communication mode. After that, when 11 consecutive recessive bits have been detected, the COMSTS flag in the CiSTSL register is set to 1 (communication is ready) and transmission and reception are enabled on the CAN network as an active node. At this time, transmission and reception of messages can be started.

(5) Bus Off State

A channel transitions to the bus off state according to the transmit/receive error counter increment/decrement rules of the CAN specifications.

How to return from the bus off state is set by the BOM[1:0] bits in the CiCTRH register.

- When BOM[1:0] = B'00:
Bus off recovery is compliant with the CAN specifications. After 11 consecutive recessive bits have been detected 128 times, a channel returns from the bus off state to the CAN communication ready state (error active state). At that time, the TEC[7:0] and REC[7:0] bits in the CiSTSH register are initialized to H'00 and the BORF flag in the CiERFLL register is set to 1 (bus off recovery is detected). When the CHMDC[1:0] bits in the CiCTRL register are set to B'10 (channel halt mode) in the bus off state, the channel transitions to channel halt mode after bus off recovery has been completed (11 consecutive recessive bits have been detected 128 times).
- When BOM[1:0] = B'01:
When a channel transitions to the bus off state, the CHMDC[1:0] bits are set to B'10 and the channel transitions to channel halt mode. At that time, the TEC[7:0] and REC[7:0] bits are initialized to H'00 but the BORF flag is not set to 1.
- When BOM[1:0] = B'10:
When a channel has transitioned to the bus off state, the CHMDC[1:0] bits are set to B'10. After bus off recovery has been completed (11 consecutive recessive bits have been detected 128 times), the channel transitions to channel halt mode. At that time, the TEC[7:0] and REC[7:0] bits are initialized to H'00 and the BORF flag is set to 1.
- When BOM[1:0] = B'11:
When the CHMDC[1:0] bits are set to B'10 in the bus off state, the channel transitions to channel halt mode before bus off recovery is completed. At that time, the TEC[7:0] and REC[7:0] bits are initialized to H'00 but the BORF flag is not set to 1.
However, the BORF flag becomes 1 if a CAN module transitions to error active state (by detecting 128 times of 11 consecutive recessive bits) before CHMDC[1:0] bits are set to B'10.

If the channel transitions to channel halt mode simultaneously when the program writes a value to the CHMDC[1:0] bits, writing by the program takes precedence. An automatic transition to channel halt mode when the BOM[1:0] bits are set to B'01 or B'10 is made only when the CHMDC[1:0] bits are B'00 (channel communication mode). Furthermore, setting the RTBO bit in the CiCTRL register to 1 allows forcible return from the bus off state. As soon as the RTBO bit is set to 1, the state changes to the error active state. After 11 consecutive recessive bits have been detected, the condition of CAN module becomes ready for communication. In this case, the BORF flag is not set to 1 and the TEC[7:0] and REC[7:0] bits are initialized to H'00. Write 1 to the RTBO bit when the BOM[1:0] value is B'00.

Table 18-9. Registers Initialized in Global Reset Mode or Channel Reset Mode

Register	Bit / Flag
CiCTRL register	CHMDC[1:0]
CiCTRH register	CTMS[1:0], CTME
CISTSL register	CHLTSTS, EPSTS, BOSTS, TRMSTS, RECSTS, COMSTS
CISTSH register	REC[7:0], TEC[7:0]
CiERFLL register	ADERR, B0ERR, B1ERR, CERR, AERR, FERR, SERR, ALF, BLF, OVLF, BORF, BOEF, EPF, EWF, BEF
CiERFLH register	CRCREG[14:0]
CFCCLk register	When transmit/receive FIFO buffer is in transmit mode or gateway mode: CFE
CFSTSk register	When transmit/receive FIFO buffer is in transmit mode or gateway mode: CFMC[5:0], CFTXIF, CFRXIF, CFMLT, CFFLL, CFEMP
TMCP register	TMOM, TMTAR, TMTR
TMSTSp register	TMTARM, TMTRM, TMTRF[1:0], TMTSTS
TMTRSTS register	TMTRSTS _p
TMCSTSp register	TMCSTSp
TMASTSp register	TMASTSp
THLCCi register	THLE
THLSTSi register	THLMC[3:0], THLIF, THLELT, THLFL, THLEMP
GTINTSTS register	THIF _i , CFTIF _i , TAIF _i , TSIF _i

Remark $i = 0, 1, k = 0, 1, p = 0$ to 7

Note In channel reset mode, the corresponding channels and bits are initialized.

Table 18-10. Registers Initialized Only in Global Reset Mode

Register	Bit / Flag
GSTS register	GHLTSTS
GERFLL register	THLES, MES, DEF
GTSC register	TS[15:0]
RMND0, 1 register	RMNS[31:0]
RFCCm register	RFE
RFSTSm register	RFMC[5:0], RFIF, RFMLT, RFFLL, RFEMP
CFCCLk register	When transmit/receive FIFO buffer is in receive mode: CFE
CFSTSk register	When transmit/receive FIFO buffer is in receive mode: CFMC[5:0], CFTXIF, CFRXIF, CFMLT, CFFLL, CFEMP
RFMSTS register	RFmMLT
CFMSTS register	CFkMLT
RFISTSp register	RFmIF
CFISTSp register	CFkIF
GTSTCFG register	RTMPS[2:0], C0ICBCE, C1ICBCE
GTSTCTRL register	RTME, ICBCTME

Remark $k = 0, 1, m = 0$ to 3

18.5 Reception Function

There are two reception types.

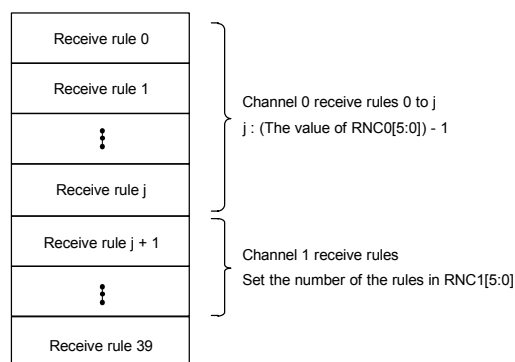
- Reception by receive buffers:
Zero to 32 receive buffers can be shared by all channels. Since messages stored in receive buffers are overwritten at each reception, the latest receive data can always be read.
- Reception by receive FIFO buffers and transmit/receive FIFO buffers (receive mode):
Four receive FIFO buffers can be shared by all channels and one dedicated transmit/receive FIFO buffer is provided for each channel. The FIFO buffers can hold the number of received messages set by the RFDC[2:0] bits in the RFCCm register and CFDC[2:0] bits in the CFCCLK register, and messages can be read sequentially from the oldest.

18.5.1 Data Processing Using the Receive Rule Table

Data processing using the receive rule table allows selected messages to be stored in the specified buffer. Data processing includes acceptance filter processing, DLC filter processing, routing processing, label addition processing, and mirror function processing.

Receive rule is 40 for the entire module, it can be up to 40 registered in one channel. If receive rules are not set, no message can be received. Figure 18-4 illustrates how receive rules are registered.

Figure 18-4. Entry of Receive Rules



Remark RNC0[5:0], RNC1[5:0]: Bits in the GAFLCFG register

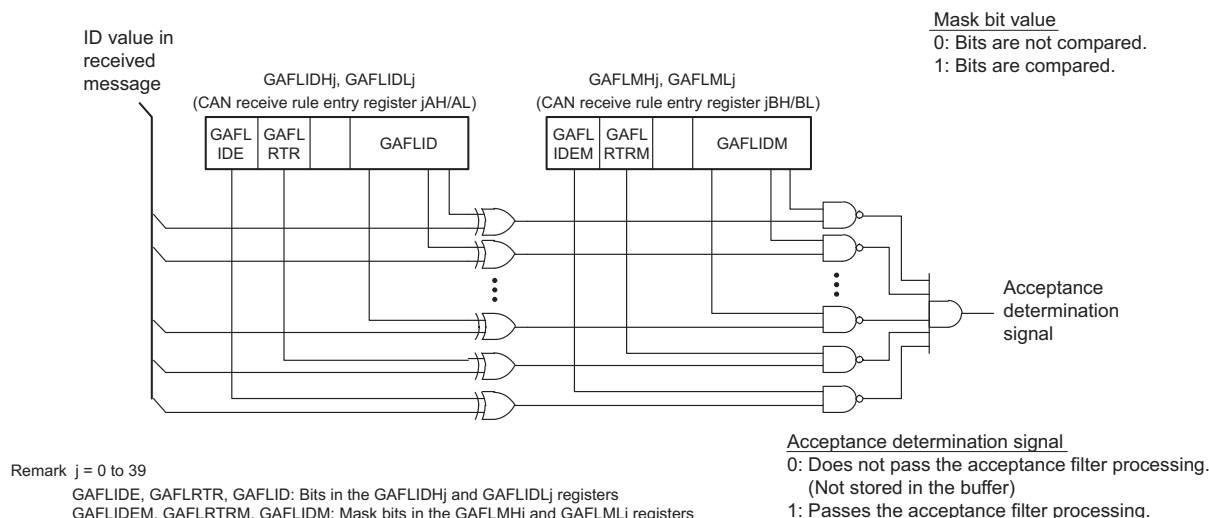
Each receive rule consists of 12 bytes in the GAFLIDLj, GAFLIDHj, GAFLMLj, GAFLMHj, GAFLPLj, and GAFLPHj registers (j = 0 to 39). The GAFLIDLj and GAFLIDHj registers (j = 0 to 39) are used to set ID, IDE bit, RTR bit, and the mirror function, the GAFLMLj and GAFLMHj registers are used to set mask, the GAFLPLj and GAFLPHj registers are used to set label information to be added, DLC value, and storage receive buffer, and storage FIFO buffer.

(1) Acceptance Filter Processing

In the acceptance filter processing, the ID data, IDE bit, and RTR bit in a received message are compared with the ID data, IDE bit, and RTR bit set in the receive rule of the corresponding channel. When all these bits match, the message passes through the acceptance filter processing. The ID data, IDE bit, and RTR bit in a received message which correspond to bits that are set to 0 (bits are not compared) in the GAFLMLj and GAFLMHj registers are not compared and are regarded as matched.

Check begins with the receive rule with the smallest rule number of the corresponding channel. When all the bits to be compared in a received message match the bits set in the receive rule or when all the receive rules are compared without any match, filter processing stops. If there is no matching receive rule, the received message is not stored in the receive buffer or FIFO buffer.

Figure 18-5. Acceptance Filter Function



(2) DLC Filter Processing

When the DCE bit in the GCFGL register is set to 1 (DLC check is enabled), DLC filter processing is added to messages that passed through the acceptance filter processing. When the DLC value in a message is equal to or larger than the DLC value set in the receive rule, the message passes through the DLC filter processing.

When a message has passed through the DLC filter processing with the DRE bit in the GCFGL register set to 0 (DLC replacement is disabled), the DLC value in the received message is stored in the buffer. In this case, all the data bytes in the received message are stored in the buffer.

When a message has passed through the DLC filter processing with the DRE bit in the GCFGL register set to 1 (DLC replacement is enabled), the DLC value in the receive rule is stored in the buffer instead of the DLC value in the received message. In this case, a value of H'00 is written to data bytes that are larger than the DLC value in the receive rule.

When the DLC value in the received message is smaller than that in the receive rule, the message does not pass through the DLC filter processing. In this case, the message is not stored in the receive buffer or the FIFO buffer and the DEF flag in the GERFLL register is set to 1 (a DLC error is present).

(3) Routing Processing

Messages that passed through the acceptance filter processing and the DLC filter processing are stored in receive buffers, receive FIFO buffers, or transmit/receive FIFO buffers (set to receive mode or gateway mode). Message storage destination is set by the GAFLRMV, GAFLRMDP[6:0], GAFLFDP[5:0] bits in the GAFLPLj register (j = 0 to 39). Messages that passed through the acceptance filter processing and the DLC filter processing can be stored in up to two buffers.

(4) Label Addition Processing

It is possible to add 12-bit label information to messages that passed through the filter processing and store them in buffers. This label information is set in the GAFLPTR[11:0] bits in the GAFLPHj register.

(5) Mirror Function Processing

The mirror function allows reception of messages transmitted from the own CAN node. The mirror function is made available by setting the MME bit in the GCFGL register to 1 (mirror function is enabled).

When the mirror function is in use, receive rules for which the GAFLLB bit in the GAFLIDHj register is set to 0 are used for data processing when receiving messages transmitted from other CAN nodes. When receiving messages transmitted from the own CAN node, receive rules for which the GAFLLB bit is set to 1 are used for data processing.

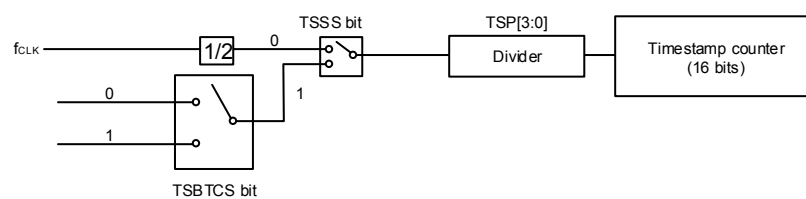
18.5.2 Timestamp

The timestamp counter is a 16-bit free-running counter used for recording message receive time. The timestamp counter value is fetched at the start-of-frame (SOF) timing of a message and is then stored in a receive buffer or a FIFO buffer together with the message ID and data. The clock obtained by frequency-dividing f_{CLK} by 2 ($f_{CLK}/2$) or CANi bit time clock is selectable as a timestamp counter clock source from the TSSS bit in the GCFGL register. The clock obtained by dividing the selected clock source by the TSP[3:0] value in the GCFGL register is used as the timestamp counter count source.

When the CANi bit time clock is used as a clock source, the timestamp counter stops when the corresponding channel transitions to channel reset mode or channel halt mode. When the clock obtained by frequency-dividing f_{CLK} by 2 ($f_{CLK}/2$) is used as a clock source, the timestamp function is not affected by channel mode.

The timestamp counter value is reset to H'0000 by setting the TSRST bit in the GCTRH register to 1.

Figure 18-6. Timestamp Function Block Diagram



TSBTCS, TSSS, TSP[3:0]: Bits in the GCFGL register

Note: When specifying $f_{CLK}/2$ as the timestamp counter count source, set bits TSSS to 0.

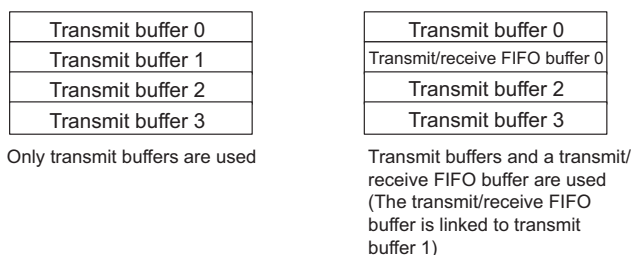
18.6 Transmission Functions

There are two types of transmission.

- Transmission using transmit buffers:
Each channel has 4 buffers.
- Transmission using transmit/receive FIFO buffers (transmit mode):
Each channel has one FIFO buffer. Up to 32 messages can be contained in a single FIFO buffer. Each FIFO buffer is used with a link to a transmit buffer. Only the message to be transmitted next in a FIFO buffer becomes the target of transmit priority determination. Messages are transmitted sequentially on a first-in, first-out basis.

Figure 18-7 shows the allocation of transmit/receive FIFO buffer link.

Figure 18-7. Allocation of Transmit/Receive FIFO Buffer Links



18.6.1 Transmit Priority Determination

If transmit requests are issued from multiple buffers in the same channel, transmit priority is determined.

The priority is determined by using one of the following methods.

- ID priority (TPRI bit = 0)
- Transmit buffer number priority (TPRI bit = 1)

The setting of the TPRI bit in the GCFGL register is enabled in all CAN channels.

When the TPRI bit is set to 0, messages are transmitted according to the priority of stored message IDs. Priority of IDs conforms to the CAN bus arbitration specification defined in the CAN specifications. IDs of messages stored in transmit buffers and transmit/receive FIFO buffers (set to transmit mode or gateway mode) are targets of priority determination. When transmit/receive FIFO buffers are used, the oldest message in a FIFO buffer becomes the target of priority determination. When a message is being transmitted from a transmit/receive FIFO buffer, the next message in the FIFO buffer becomes the target of priority determination.

When the TPRI bit is set to 1, the message in the transmit buffer of the minimum number among buffers with a transmit request is transmitted first. When transmit/receive FIFO buffers are linked to transmit buffers, transmit priority is determined according to linked transmit buffer numbers.

When messages are retransmitted due to an arbitration lost or an error, transmit priority determination is made again regardless of the TPRI bit setting.

18.6.2 Transmission Using Transmit Buffers

Setting the transmit request bit (TMTR bit in the TMCp register) in a transmit buffer to 1 (transmission is requested) allows transmission of data frames or remote frames.

Transmit result is shown by the TMTRF[1:0] flag in the corresponding TMSTSp register (p = 0 to 3). When transmit completes successfully, the TMTRF[1:0] flag is set to B'10 (transmission has been completed (without transmit abort request)) or B'11 (transmission has been completed (with transmit abort request)).

(1) Transmit Abort Function

With respect to transmit buffers for which the TMTRM bit in the TMSTSp register is set to 1 (a transmit request is present), when the TMTAR bit in the TMCp register is set to 1 (transmit abort is requested), the transmit request is canceled. When transmit abort is completed, the TMTRF[1:0] flag in the TMSTSp register is set to B'01 (transmit abort has been completed) and the transmit request is canceled (clearing the TMTRM bit to 0).

A message that is being transmitted or a message to be transmitted next according to the transmit priority determination cannot be aborted. However, when an arbitration lost or an error has occurred while a message for which the TMTAR bit is set to 1 is being transmitted, retransmission is not performed.

(2) One-Shot Transmission Function (Retransmission Disabling Function)

When the TMOM bit in the TMCp register is set to 1 (one-shot transmission is enabled), transmission is performed only once. Even if an arbitration lost or an error occurs, retransmission is not performed.

One-shot transmit result is shown by the TMTRF[1:0] flag in the corresponding TMSTSp register. When one-shot transmit completes successfully, the TMTRF[1:0] flag is set to B'10 or B'11. When an arbitration lost or an error has occurred, the TMTRF[1:0] flag is set to B'01 (transmit abort has been completed).

18.6.3 Transmission Using FIFO Buffers

Messages of a volume of the FIFO buffer depth set by the CFDC[2:0] bits in the CFCCLk register can be stored in a single transmit/receive FIFO buffer. Messages are transmitted sequentially on a first-in, first-out basis.

Transmit/receive FIFO buffers are linked to transmit buffers selected by the CFTML[1:0] bits in the CFCCHK register. When the CFE bit in the CFCCLk register is set to 1 (transmit/receive FIFO buffers are used), transmit/receive FIFO buffers become targets of transmit priority determination. Priority determination is made for only the message to be transmitted next in a FIFO buffer.

When the CFE bit is set to 0 (no transmit/receive FIFO buffer is used), the CFEMP flag in the CFSTSk register is set to 1 (the transmit/receive FIFO buffer contains no message (buffer empty)) at the timing below.

- The transmit/receive FIFO buffer becomes empty immediately when the message in it is not being transmitted or is not to be transmitted next.
- The transmit/receive FIFO buffer becomes empty after transmission completion, CAN bus error detection, or arbitration lost when the message in it is being transmitted or to be transmitted next.

When the CFE bit is cleared to 0, all messages in transmit/receive FIFO buffers are lost and messages cannot be stored in FIFO buffers. Confirm that the CFEMP flag is set to 1 before setting the CFE bit to 1 again.

(1) Interval Transmission Function

To transmit messages from the same FIFO buffer while a transmit/receive FIFO buffer that is set to transmit mode or gateway mode is in use, message transmission interval time can be set.

Immediately after the first message has been transmitted successfully from the FIFO buffer with the CFE bit in the CFCCLk register set to 1, the interval timer starts counting (after EOF7 of the CAN protocol). After that, when the interval time has passed, the next message is transmitted. The interval timer stops in channel reset mode or by clearing the CFE bit to 0.

The interval time is set by the CFITT[7:0] bits in the CFCCHK register. When the interval timer is not used, set the CFITT[7:0] bits to H'00.

Select an interval timer count source by the CFITR and CFITSS bits in the CFCCHK register. When the CFITR and CFITSS bits are set to B'00, the clock obtained by frequency-dividing $f_{CLK}/2$ by the ITRCP[15:0] value is used as a count source. When the CFITR and CFITSS bits are set to B'10, the clock obtained by frequency-dividing $f_{CLK}/2$ by the ITRCP[15:0] value $\times 10$ is used as a count source. When the CFITR and CFITSS bits are set to B'x1, the CANi bit time clock is used as a count source.

The interval time is calculated by the following equations where M is the set ITRCP[15:0] value and N is the set CFITT[7:0] value.

1. When CFITR and CFITSS = B'00

$$\frac{1}{f_{CLK}} \times 2 \times M \times N$$

2. When CFITR and CFITSS = B'10

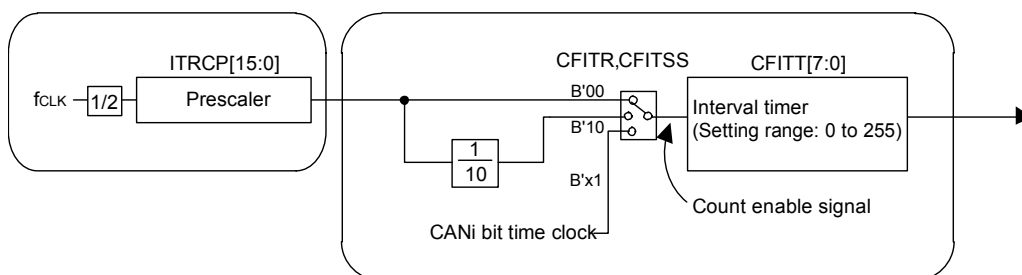
$$\frac{1}{f_{CLK}} \times 2 \times M \times 10 \times N$$

3. When CFITR and CFITSS = B'x1 (f_{CANBIT} is CANi bit time clock frequency)

$$\frac{1}{f_{CANBIT}} \times N$$

Figure 18-8 shows the interval timer block diagram.

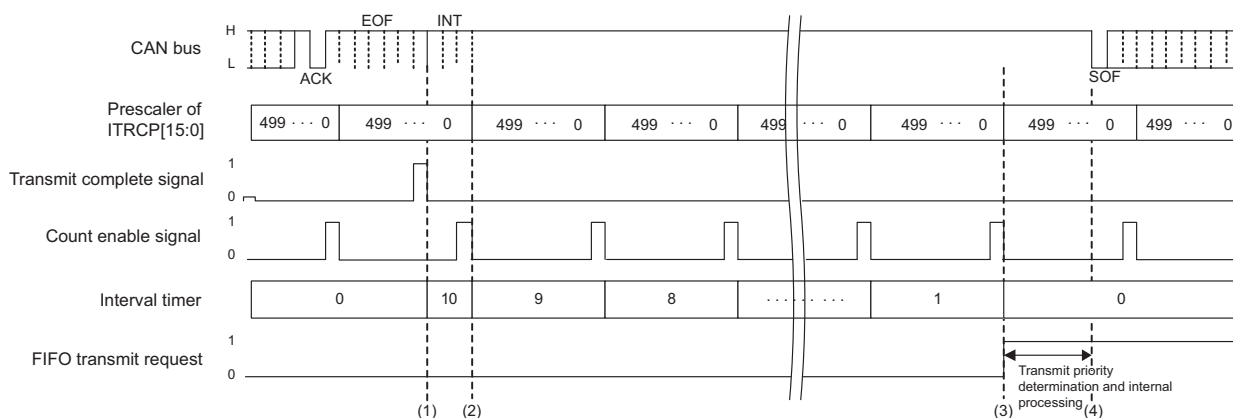
Figure 18-8. Interval Timer Block Diagram



Remark ITRCP[15:0]: Bits in the GCFGH register
 CFITR, CFITSS, CFITT[7:0]: Bits in the CFCCHk register (k = 0, 1)

Figure 18-9 shows the interval timer timing chart.

Figure 18-9. Interval Timer Timing Chart



$$\text{Interval time (logical value)} = \frac{1}{f_{\text{CLK}}} \times 2 \times m (\text{ITRCP}[15:0] \text{ value}) \times \text{CFITT}[7:0] \text{ value}$$

Remark f_{CLK} : CPU/peripheral hardware clock
 ITRCP[15:0]: Bits in the GCFGH register (The set value is 500 in this figure.)
 CFITT[7:0]: Bits in the CFCCHK register (The set value is 10 in this figure.)

- (1) The interval timer starts counting upon completion of transmission. Since the prescaler is not initialized at the time of transmission completion, the first interval time contains an error of up to one count of the interval timer.
- (2) The interval timer is decremented by the next count enable signal.
- (3) When the interval timer has decreased to 0, the transmit/receive FIFO buffer issues a transmit request.
- (4) The transmit/receive FIFO buffer is determined for the next transmission by the priority determination, it starts transmitting data. Transmission starts with a delay of three CANi bit time clock cycles or less from the issue of transmit request.

18.6.4 Transmit History Function

Information of transmitted messages can be stored in the transmit history buffer. Each channel has a single transmit history buffer that can contain 8 sets of transmit history data.

A message transmit source buffer type can be selected by the THLDTE bit in the THLCCi register. Whether to store transmit history data for each message can be set by the THLEN bit in the CFIDHk register.

After transmit completes successfully, information of the following transmit messages is stored in the transmit history buffer as transmit history data. After successful completion of transmit, process may be delayed by up to 38 clocks of f_{CLK} before the transmit history data is stored.

- Buffer type (The BT[1:0] bit in the THLACCi register)
 - B'01: Transmit buffer
 - B'10: Transmit/receive FIFO buffer
- Buffer number (The BN[1:0] bit in the THLACCi register)
 - Number of source transmit buffer or transmit/receive FIFO buffer.
 - This number depends on buffer types. See Table 18-11.
- Label data (The TID[7:0] bit in the THLACCi register)
 - Label information of transmit message

Table 18-11. Transmit History Data Buffer Numbers

Buffer type Buffer No.	B'01	B'10
B'00	Transmit buffer 0	Numbers of transmit buffers linked to transmit/receive FIFO buffers by the CFTML[1:0] bits in the CFCCHK register.
B'01	Transmit buffer 1	
B'10	Transmit buffer 2	
B'11	Transmit buffer 3	

Label data is used to identify each message. A unique label data can be added to each message transmitted from a transmit buffer or transmit/receive FIFO buffer.

Transmit history data can be read from the THLACCi register. If it is attempted to store new transmit history data while the buffer is full, the buffer overflows and the new data is discarded.

18.7 Gateway Function

When a transmit/receive FIFO buffer is set to gateway mode, receive messages can be transmitted from an arbitrary channel without CPU intervention.

When the CFM[1:0] bits in the CFCCHK register are set to B'10 (gateway mode) for the transmit/receive FIFO buffer selected by the GAFLPHj register of a channel being used for transmission, messages that pass through filter processing according to the reception rule are stored in the specified transmit/receive FIFO buffer and are automatically transmitted from the buffer.

Messages stored in a transmit/receive FIFO buffer are transmitted sequentially on a first-in, first-out basis. Only the message to be transmitted next becomes the target of transmit priority determination.

Transmit/receive FIFO buffers in the gateway mode are disabled by setting the CFE bit in the CFCCLK register to 0 and the CFEMP flag in the CFSTSk register becomes 1 according to the timing below.

- The transmit/receive FIFO buffer becomes empty immediately when the message in it is not being transmitted and will not to be transmitted next.
- The transmit/receive FIFO buffer becomes empty after transmission completion, CAN bus error detection, or arbitration-lost when the message in it is being transmitted or will be transmitted next.

When the CFE bit is cleared to 0, all messages in transmit/receive FIFO buffers are lost and messages can no longer be stored in transmit/receive FIFO buffers. Confirm that the CFEMP flag is set to 1 before setting the CFE bit to 1 again.

18.8 Test Function

The test function is classified into communication tests and global tests.

Communication tests: Performed for each channel.

- Standard test mode
- Listen-only mode
- Self-test mode 0 (external loopback mode)
- Self-test mode 1 (internal loopback mode)

Global tests: Performed in entire module

- RAM test (read/write test)
- Inter-Channel Communication Test

18.8.1 Standard Test Mode

Standard test mode allows CRC test.

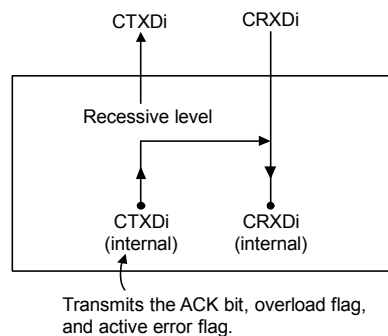
18.8.2 Listen-Only Mode

Listen-only mode allows reception of data frames and remote frames. Only recessive bits are transmitted on the CAN bus, and the ACK bit, overload flag, and active error flag are not transmitted. Listen-only mode is available for detecting the communication speed.

Do not make a transmit request from any buffer in listen-only mode.

Figure 18-10 shows the connection when listen-only mode is selected.

Figure 18-10. Connection when Listen-Only Mode is Selected



Remark i = 0, 1

18.8.3 Self-Test Mode (Loopback Mode)

In self-test mode, transmitted messages are compared with the receive rule of the own channel and the messages are stored in a buffer if they have passed through the filter processing. Messages transmitted from other CAN nodes are compared only with the receive rule for which the GAFLLB bit in the GAFLIDHj register (j = 0 to 39) is set to 0 (when a message transmitted from another CAN node is received).

If the mirror function and self-test mode are both enabled, the self-test mode setting takes precedence.

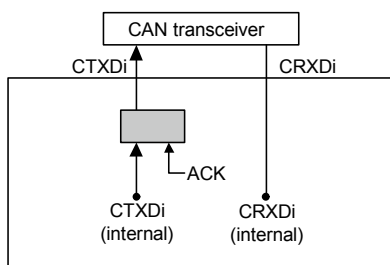
(1) Self-Test Mode 0 (External Loopback Mode)

Self-test mode 0 is used to perform a loopback test within a channel including the CAN transceiver.

In self-test mode 0, transmitted messages are handled as messages received through the CAN transceiver and are stored in a buffer. An ACK bit is generated to receive messages transmitted from the own CAN node.

Figure 18-11 shows the connection when self-test mode 0 is selected.

Figure 18-11. Connection when Self-Test Mode 0 is Selected



Remark i = 0, 1

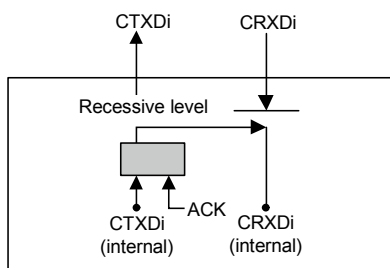
(2) Self-Test Mode 1 (Internal Loopback Mode)

In self-test mode 1, transmitted messages are handled as received messages and are stored in a buffer. An ACK bit is generated to receive messages transmitted from the own CAN node.

In self-test mode 1, internal feedback from the internal CTXDi pin to the internal CRXDi pin is performed. The external CRXDi pin input is isolated. The external CTXDi pin outputs only recessive bits.

Figure 18-12 shows the connection when self-test mode 1 is selected.

Figure 18-12. Connection when Self-Test Mode 1 is Selected



Remark i = 0, 1

18.8.4 RAM Test

The RAM test function allows accesses to all CAN RAM addresses.

When the RAM test function is used, the RAM is divided into pages of 256 bytes each. RAM test page is set by the RTMPS[2:0] bits in the GTSTCFG register. Data in the set page can be read from and written to the RPGACCr register (r = 0 to 127). The available total RAM size is 1312 bytes (H'0520).

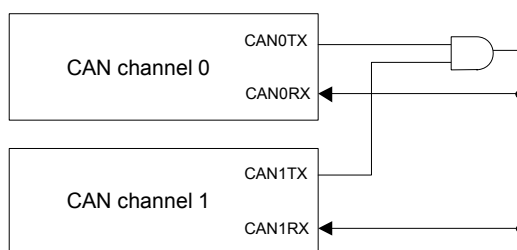
18.8.5 Inter-Channel Communication Test

The inter-channel communication test function allows communication test by internally connecting CAN channels to each other. During this test, channels are isolated from the external CAN bus.

Before starting data transmission/reception in channel communication mode, make transmission/reception settings for each channel.

Figure 18-13 shows the connection for inter-channel communication test..

Figure 18-13. Connection for Inter-Channel Communication Test



18.9 Interrupt

The CAN module has 6 interrupts that are grouped into global interrupts and channel interrupts.

Global interrupts (2 interrupts):

- CAN global receive FIFO interrupt
- CAN global error interrupt

Channel interrupts (4 interrupts per channel):

- CANi channel transmit interrupt
 - CANi transmit complete interrupt
 - CANi transmit abort interrupt
 - CANi transmit/receive FIFO transmit complete interrupt (transmit mode, gateway mode)
 - CANi transmit history interrupt
- CANi transmit/receive FIFO receive interrupt (receive mode, gateway mode)
- CANi channel error interrupt
- CANi wakeup interrupt

- CAN interrupt except CANi wakeup interrupt

When an interrupt request is generated, the corresponding CAN module interrupt request flag is set to 1 (interrupt request present). In that case, when the interrupt enable bit is set to 1 (enabling interrupts), an interrupt request is output from the CAN module. (Generation of interrupts also is controlled by an interrupt functions.)

Setting the interrupt request flag to 0 (no interrupt request present) or setting the interrupt enable bit to 0 (disabling interrupts) clears the current interrupt request. The next interrupt request is not generated until the interrupt request is cleared.

- CANi wakeup interrupt

The CANi wakeup interrupt is generated in every mode when a falling edge in the CRXDi pin is detected. When the CANi wakeup interrupt is used, set the function of the corresponding port to CRXDi.

The CANi wakeup interrupt is controlled by the interrupt function.

For details on the setting of the interrupt functions, refer to **CHAPTER 22 INTERRUPT FUNCTIONS**.

Table 18-12 lists the CAN interrupt sources. Figure 18-14 shows the CAN global interrupt block diagram. Figure 18-15 shows the CAN channel interrupt block diagram.

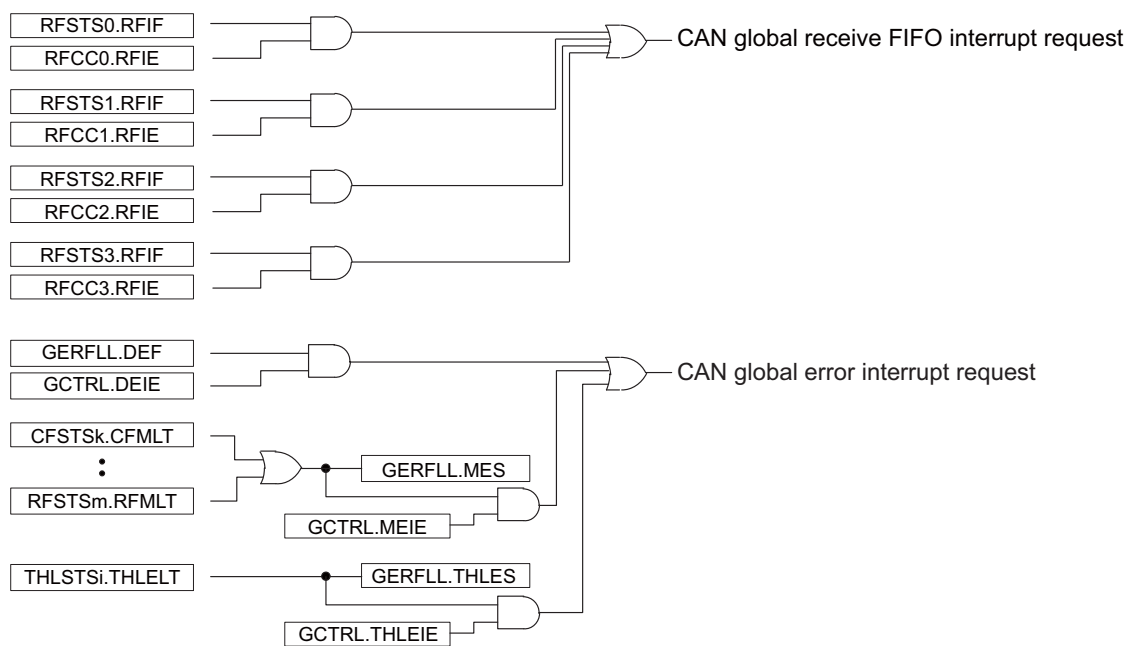
Table 18-12. List of CAN Interrupt Sources

Item	Interrupt Source		Corresponding Interrupt Request Flag ^{Note}	Corresponding Interrupt Enable Bit ^{Note}
Global interrupts	CAN global receive FIFO	Receive FIFO 0	RFIF in the RFSTS0 register	RFIE in the RFCC0 register
		Receive FIFO 1	RFIF in the RFSTS1 register	RFIE in the RFCC1 register
		Receive FIFO 2	RFIF in the RFSTS2 register	RFIE in the RFCC2 register
		Receive FIFO 3	RFIF in the RFSTS3 register	RFIE in the RFCC3 register
	CAN global error		DEF in the GERFLL register	DEIE in the GCTRL register
			MES in the GERFLL register	MEIE in the GCTRL register
			THLES in the GERFLL register	THLEIE in the GCTRL register
Channel interrupts	CANi channel transmit	CANi transmit complete	TMTRF[1:0] in the TMSTSp register	TMIEp in the TMIEC register
		CANi transmit abort	TMTRF[1:0] in the TMSTSp register	TAIE in the CiCTRH register
		CANi transmit/receive FIFO transmit	CFTXIF in the CFSTSk register	CFTXIE in the CFCCLK register
		CANi transmit history	THLIF in the THLSTSi register	THLIE in the THLCCi register
	CANi transmit/receive FIFO receive		CFRXIF in the CFSTSk register	CFRXIE in the CFCCLK register
	CANi channel error		BEF in the CiERFLL register	BEIE in the CiCTRL register
			ALF in the CiERFLL register	ALIE in the CiCTRL register
			BLF in the CiERFLL register	BLIE in the CiCTRL register
			OVLF in the CiERFLL register	OLIE in the CiCTRL register
			BORF in the CiERFLL register	BORIE in the CiCTRL register
			BOEF in the CiERFLL register	BOEIE in the CiCTRL register
			EPF in the CiERFLL register	EPIE in the CiCTRL register
	CANi wakeup		None	None

Note For details on the interrupt request flags and interrupt enable bits, refer to **CHAPTER 22 INTERRUPT FUNCTIONS**.

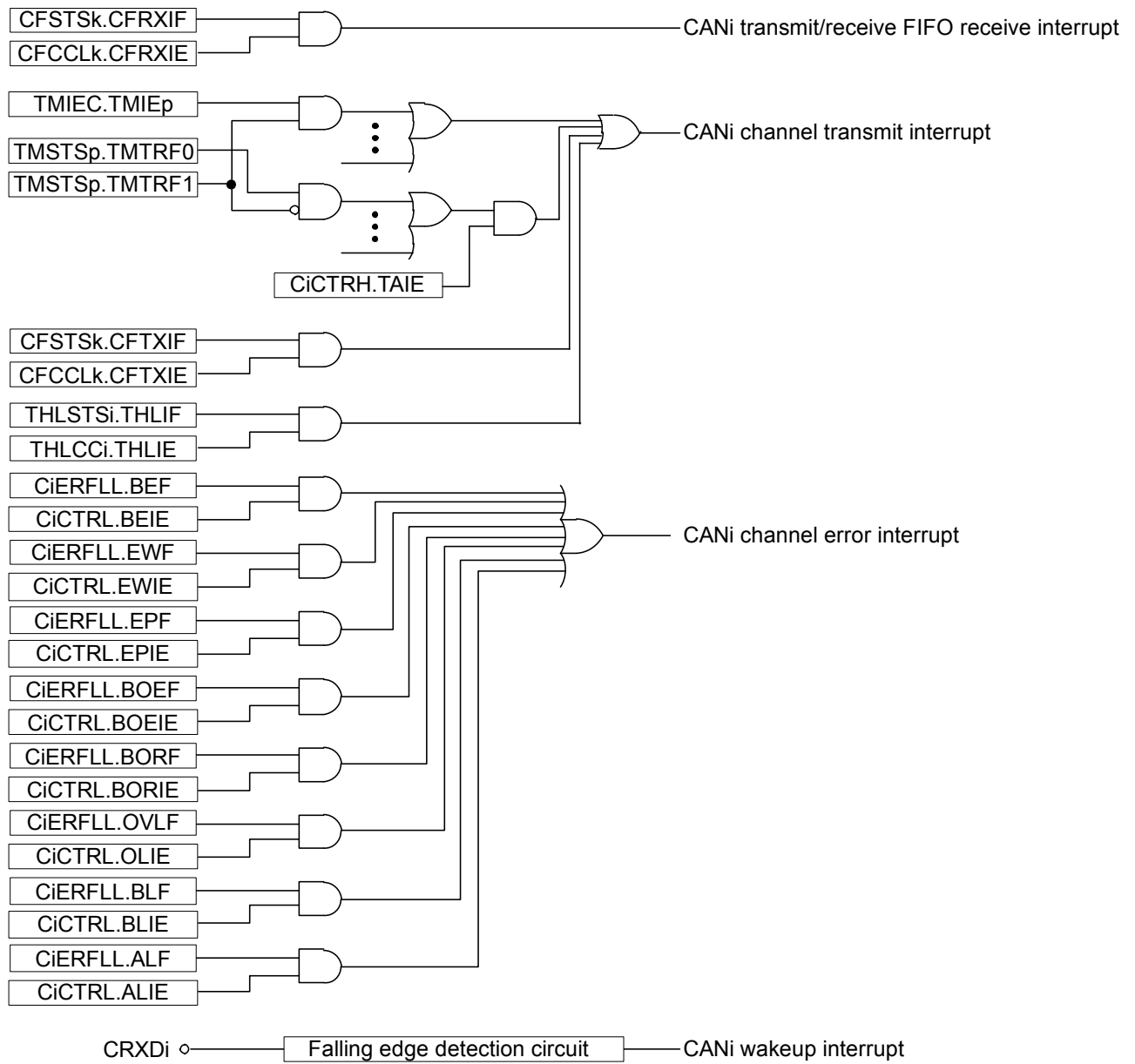
i = 0, 1, k = 0, 1, p = 0 to 7

Figure 18-14. CAN Global Interrupt Block Diagram



Remark *i* = 0, 1
 k = 0, 1
 m = 0 to 3

Figure 18-15. CAN Channel Interrupt Block Diagram



Remark i = 0, 1
 k = 0, 1
 p = 0 to 7

18.10 RAM Window

The CAN area from H'F03A0 to H'F0685 consists of two windows. The RPAGE bit in the GRWCR register is used to switch the allocation of registers.

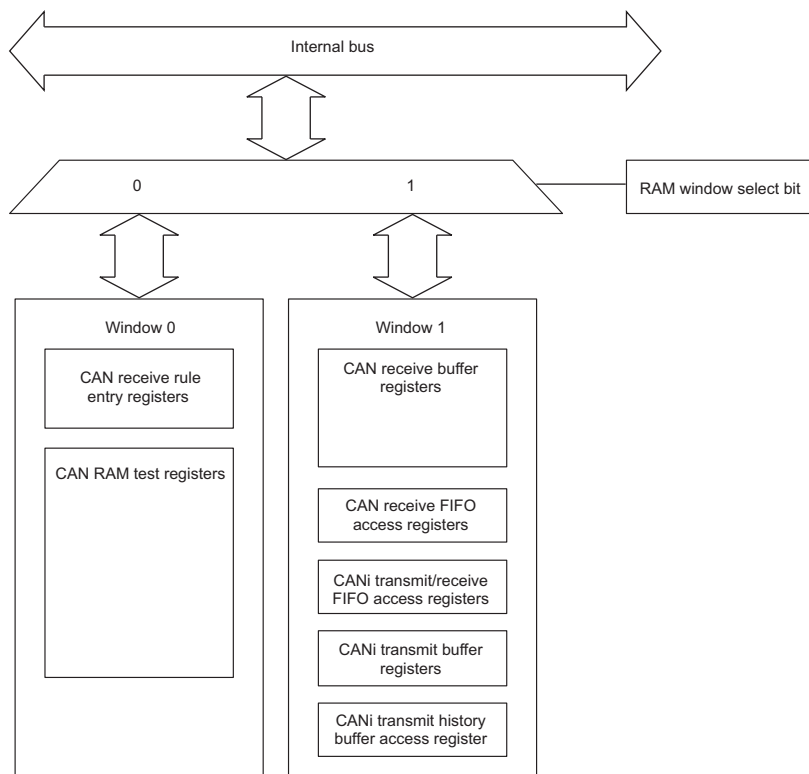
[Registers allocated when the RPAGE bit is set to 0 (window 0 selected)]

- CAN receive rule entry registers: GAFLIDLj, GAFLIDHj, GAFLMLj, GAFLMHj, GAFLPLj, GAFLPHj
- CAN RAM test registers: RPGACCr

[Registers allocated when the RPAGE bit is set to 1 (window 1 selected)]

- CAN receive buffer registers: RMIDLn, RMIDHn, RMTSn, RMPTRn, RMDF0n to RMDF3n
- CAN receive FIFO access registers: RFIDLm, RFIDHm, RFTSm, RFPTRm, RFDF0m to RFDF3m
- CANi transmit/receive FIFO access registers: CFIDLk, CFIDHk, CFTSk, CFPTRk, CFDF0k to CFDF3k
- CANi transmit buffer registers: TMIDLp, TMIDHp, TMPTRp, TMDF0p to TMDF3p
- CANi transmit history buffer access register: THLACCI

Figure 18-16. RAM Window

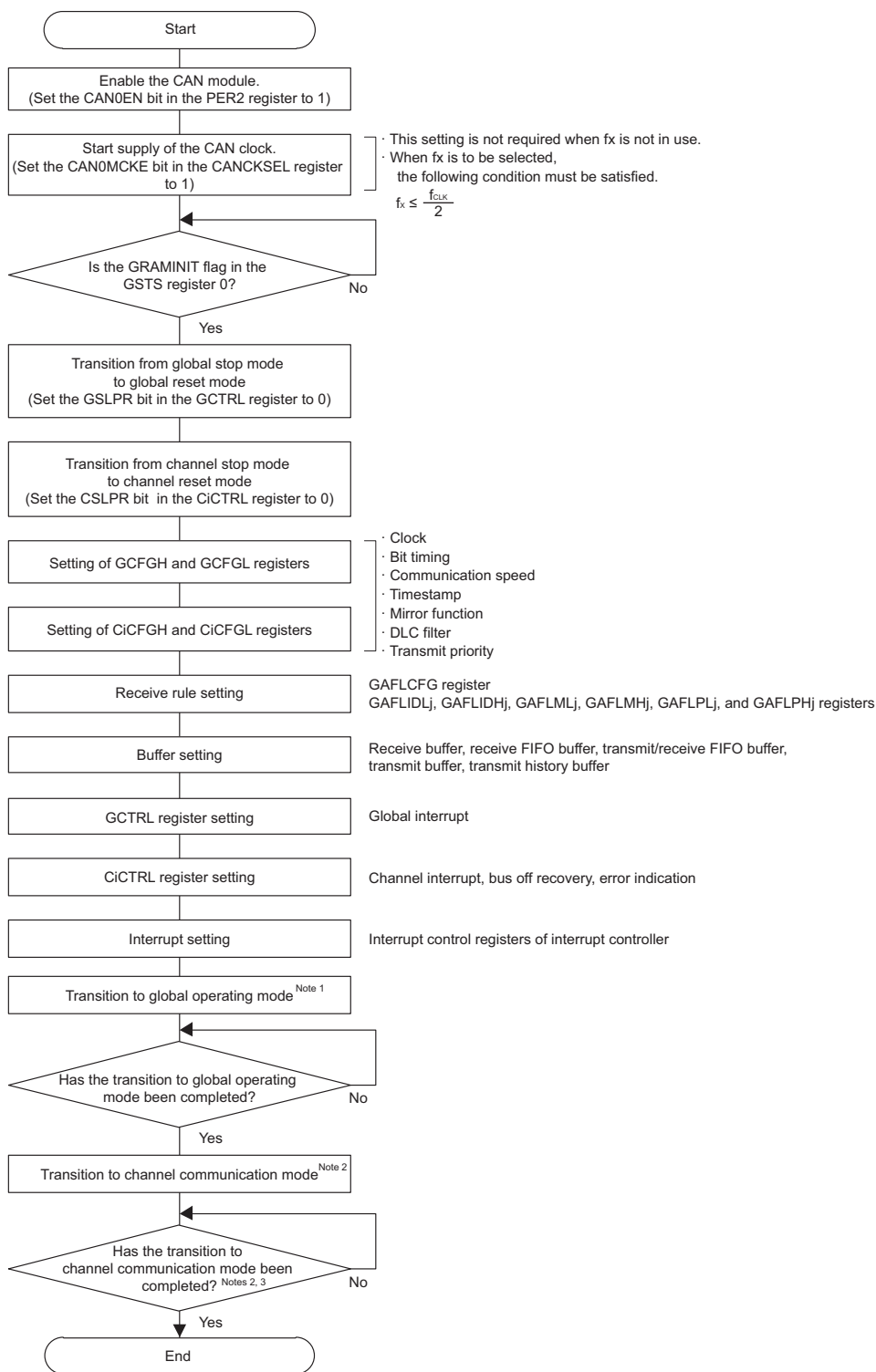


18.11 Initial Settings

The CAN module initializes the CAN RAM after the operation of the CAN module is enabled. The RAM initialization time is 658 cycles of f_{CLK} . The GRAMINIT flag in the GSTS register is set to 1 (CAN RAM initialization is ongoing) during the RAM initialization and is cleared to 0 (CAN RAM initialization is finished) when the initialization is completed. Make CAN settings after the GRAMINIT flag is cleared to 0.

Figure 18-17 shows the CAN setting procedure after the operation of the CAN module is enabled.

Figure 18-17. CAN Setting Procedure after the Operation of the CAN Module is Enabled



Notes 1. If the high-speed system clock (f_{HCLK}) is to be selected as the LIN communications clock source, and the high-speed on-chip oscillator clock (f_{HOSC}) or the PLL clock with its source as the high-speed on-chip oscillator clock is to be selected as the source of the clock signal for f_{CLK} , make sure that the condition (LIN communications clock source) $< f_{CLK}$ is satisfied.

2. If the high-speed system clock is to be selected as f_{CLK} , do not select f_x as f_{CAN} .

Remark $i = 0, 1$
 $j = 0$ to 39

18.11.1 Clock Setting

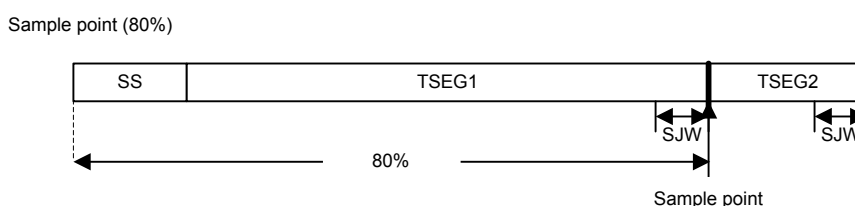
Set the CAN clock (f_{CAN}) as a clock source of the CAN module. Select the clock obtained by frequency-dividing f_{CLK} by 2 ($f_{CLK}/2$) or the X1 clock (f_x) with the DCS bit in the GCFGL register.

18.11.2 Bit Timing Setting

In the CAN protocol, one bit of a communication frame consists of three segments, SS, TSEG1, and TSEG2. Two of the segments, TSEG1 and TSEG2, can be set by the CiCFGH register for each channel. Sample point timing can be determined by setting two segments. This timing can be adjusted in units of 1 Time Quantum (referred to as T_q hereinafter). 1 T_q equals to one CANi T_q clock cycle. The CANi T_q clock is obtained by selecting the clock source with the DCS bit in the GCFGL register and selecting the clock division ratio with the BRP[9:0] bits in the CiCFGH register.

Figure 18-18 shows the bit timing chart. Table 18-13 shows an example of bit timing setting.

Figure 18-18. Bit Timing Chart



Remark SS = 1 T_q fixed
 Set TSEG1 to a range of 4 T_q to 16 T_q .
 Set TSEG2 to a range of 2 T_q to 8 T_q .
 Set SJW to a range of 1 T_q to 4 T_q .
 Set SS + TSEG1 + TSEG2 to a range of 8 T_q to 25 T_q .
 TSEG1 > TSEG2 \geq SJW

- SS (synchronization segment):
 The SS is a segment that performs synchronization by monitoring the edge from recessive to dominant bits in the Interframe Space.
 Interframe Space consists of Intermission, Suspend Transmission, and Bus Idle. All nodes can start transmission during Bus Idle.
- TSEG1 (time segment 1):
 TSEG1 is a segment that absorbs physical delay on the CAN network. The physical delay on the CAN network is twice of the total of the delay on the CAN bus, the delay in the input comparator, and the delay in the output driver.
- TSEG2 (time segment 2):
 TSEG2 is a segment that compensates phase error due to an error in frequency.
- SJW (resynchronization jump width)
 The SJW is a length to extend or reduce time segment to compensate an error in phase due to phase error.

Table 18-13. Example of Bit Timing Setting

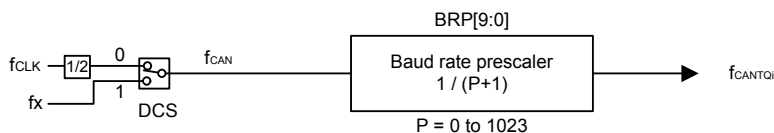
1 Bit	Set Value (Tq)				Sample Point (%) Note: See Figure 18-18.
	SS	TSEG1	TSEG2	SJW	
8 Tq	1	4	3	1	62.50
	1	5	2	1	75.00
10 Tq	1	6	3	1	70.00
	1	7	2	1	80.00
16 Tq	1	10	5	1	68.75
	1	11	4	1	75.00
20 Tq	1	13	6	1	70.00
	1	15	4	3	80.00
24 Tq	1	15	8	1	66.67
	1	16	7	1	70.83

18.11.3 Communication Speed Setting

Set the CAN communication speed for each channel using the fCAN, baud rate prescaler division value (BRP[9:0] bits in the CiCFGL register), and Tq count per bit time.

Figure 18-19 shows the CAN clock control block diagram, and Table 18-14 shows an example of the communication speed setting.

Figure 18-19. CAN Clock Control Block Diagram



$$\text{Communication speed} = \frac{f_{\text{CAN}}}{\text{Baud rate prescaler division value} \times (\text{Tq count of 1 bit time})}$$

Caution When fx is to be selected, the following condition must be satisfied.

$$f_x \leq \frac{f_{\text{CLK}}}{2} \quad \text{Notes 1, 2}$$

- Notes 1. If the high-speed on-chip oscillator clock (f_{OH}) or the PLL clock with its source as the high-speed on-chip oscillator clock is to be selected as the source of the clock signal for f_{CLK}, make sure that the condition f_x < f_{CLK}/2 is satisfied.
- 2. If the high-speed system clock is to be selected as f_{CLK}, do not select f_x as f_{CAN}.

Remark I = 0, 1
 DCS: Bit in the GCFGL register
 BRP[9:0]: Bits in the CiCFGL register
 f_{CAN}: CAN clock
 f_{CANTQI}: CANi Tq clock

Table 18-14. Example of Communication Speed Setting

f_{CAN} ^{Note} Communication Speed	16 MHz	8 MHz
1 Mbps	8 Tq (2) 16 Tq (1)	8 Tq (1)
500 Kbps	8 Tq (4) 16 Tq (2)	8 Tq (2) 16 Tq (1)
250 Kbps	8 Tq (8) 16 Tq (4)	8 Tq (4) 16 Tq (2)
83.3 Kbps	8 Tq (24) 16 Tq (12)	8 Tq (12) 16 Tq (6)
33.3 Kbps	8 Tq (60) 10 Tq (48) 16 Tq (30) 20 Tq (24)	8 Tq (30) 10 Tq (24) 16 Tq (15) 20 Tq (12)

Note Values in () are baud rate prescaler division values.

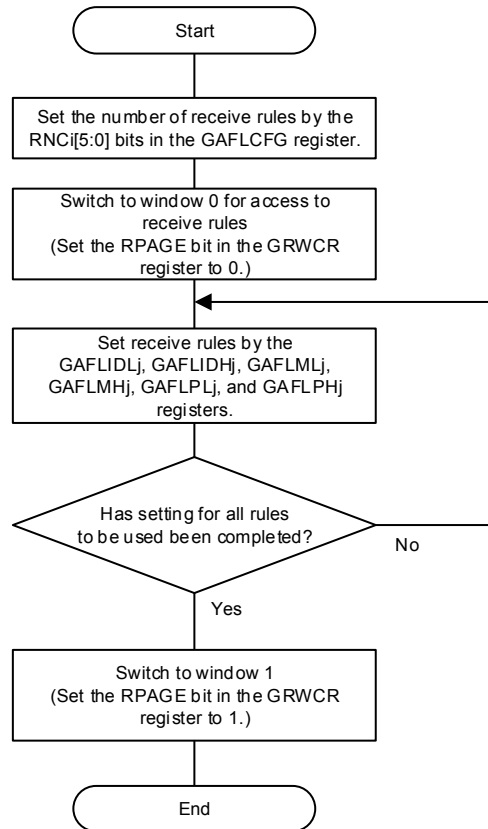
18.11.4 Receive Rule Setting

Receive rules can be set using receive rule-related registers.

Up to 16 receive rules can be registered.

Figure 18-20 shows the receive rule setting procedure.

Figure 18-20. Receive Rule Setting Procedure

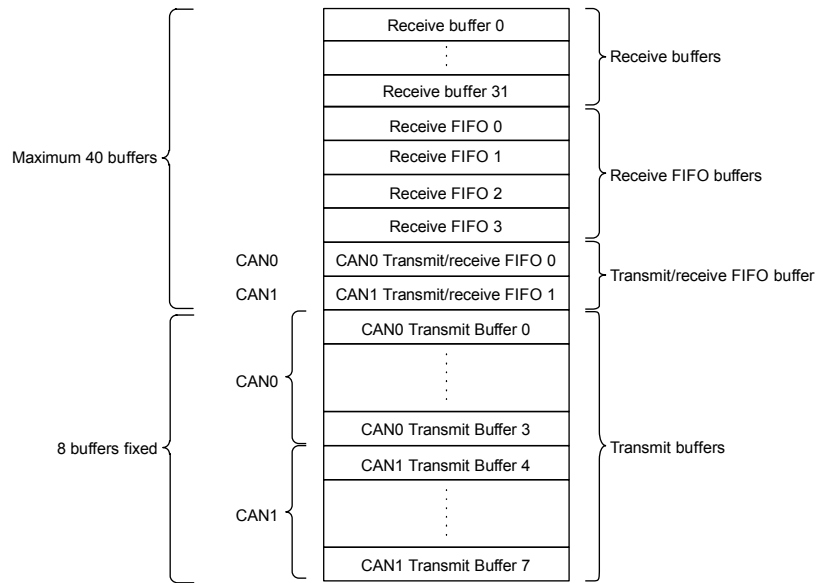


18.11.5 Buffer Setting

Set sizes and interrupt sources of buffers. For transmit/receive FIFO buffers that are set to transmit mode or gateway mode, set transmit buffers to be linked.

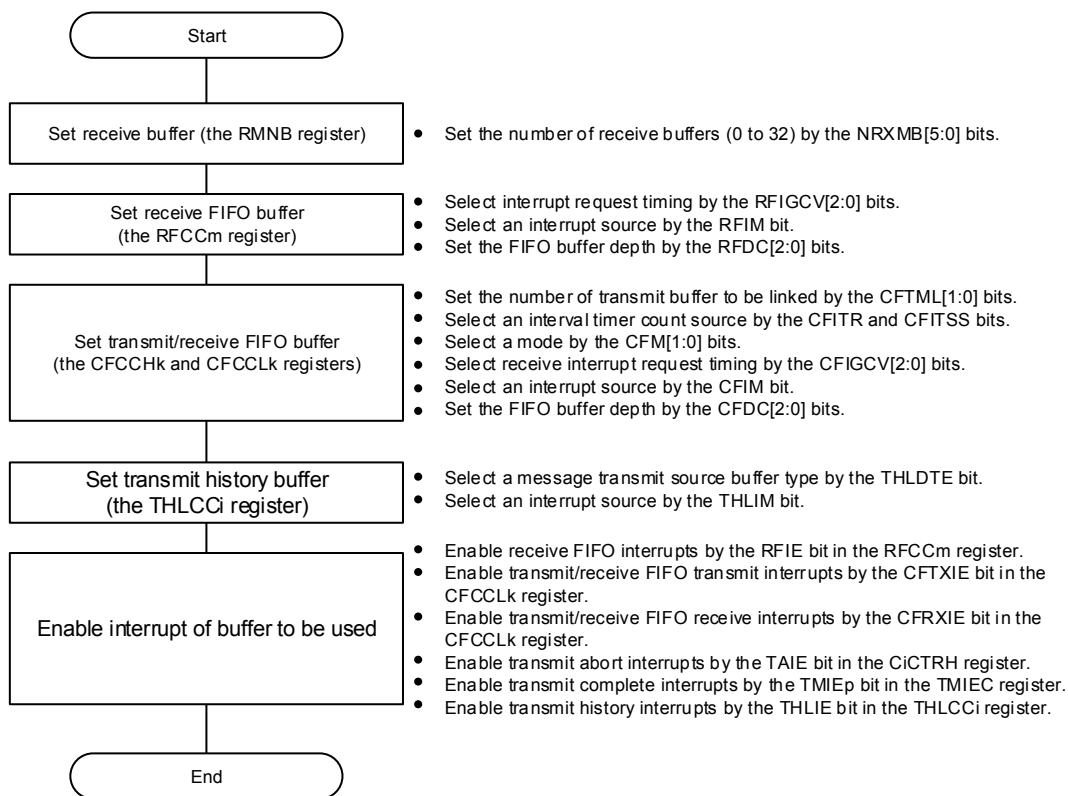
Figure 18-21 shows the buffer configuration. Figure 18-22 shows the buffer setting procedure.

Figure 18-21. Buffer Configuration



Caution Receive buffers, receive FIFO buffers, transmit/receive FIFO buffer, and transmit buffers are located in succession.

Figure 18-22. Buffer Setting Procedure



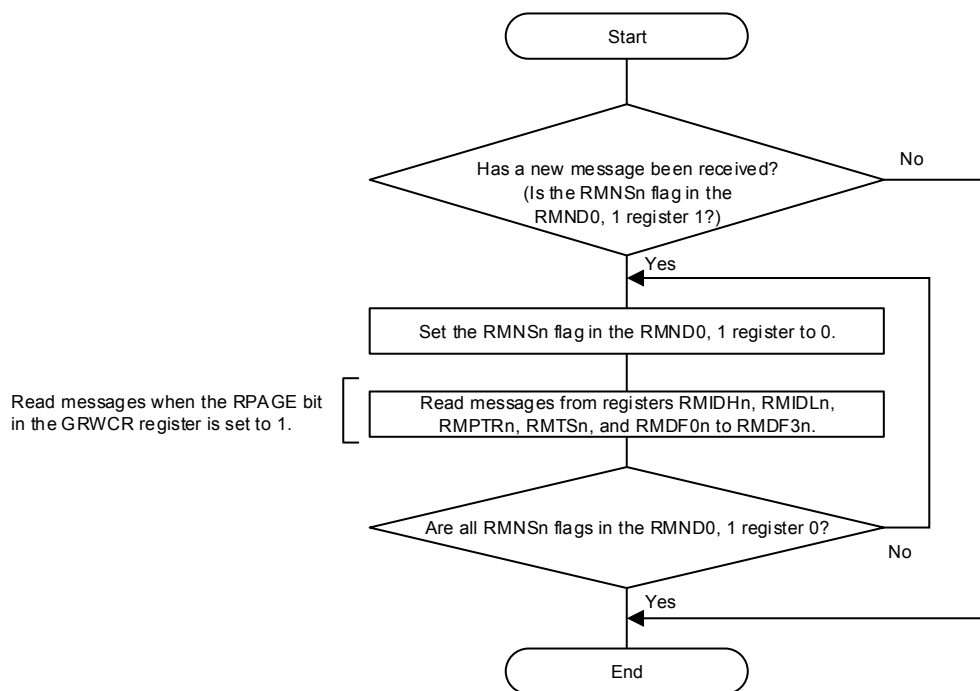
Remark i = 0, 1
 k = 0, 1
 m = 0 to 3
 p = 0 to 7

18.12 Reception Procedure

18.12.1 Receive Buffer Reading Procedure

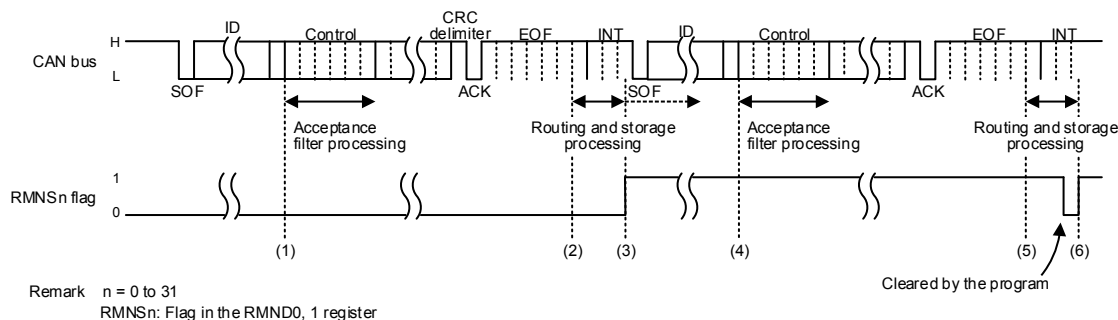
When the processing to store received messages in a receive buffer starts, the RMNSn flag (n = 0 to 31) in the RMND0, 1 register is set to 1 (receive buffer n contains a new message). Messages can be read from the RMIDLn, RMIDHn, RMTSn, RMPTRn, and RMDF0n to RMDF3n registers. If the next message has been received before the current message is read from the receive buffer, the message is overwritten. Figure 18-23 shows the receive buffer reading procedure.

Figure 18-23. Receive Buffer Reading Procedure



Remark n = 0 to 31

Figure 18-24. Receive Buffer Reception Timing Chart



- (1) When the ID field in a message has been received, the acceptance filter processing starts.
- (2) When the message matches the receive rule of the corresponding channel and the message has been successfully received, the routing processing to transfer the message to the specified buffer starts. When the DCE bit in the GCFGL register is set to 1 (DLC check is enabled), the DLC filter processing starts at this time.
- (3) When the message has passed through the DLC filter processing, the processing to store the message in the specified receive buffer starts.
When the message storage processing starts, the corresponding RMNSn flag in the RMND0, 1 register is set to 1 (receive buffer n contains a new message (n = 0 to 15)). If other channels are performing filter processing or transmit priority determination processing, the routing processing and the storage processing may be delayed.
- (4) When the ID field of the next message has been received, the acceptance filter processing starts.
- (5) When the message matches the receive rule of the corresponding channel and the message has been successfully received, the routing processing to transfer the message to the specified buffer starts. When the DCE bit in the GCFGL register is set to 1 (DLC check is enabled), the DLC filter processing starts at this time.
- (6) When the corresponding RMNSn flag is cleared to 0 (receive buffer n contains no new message (n = 0 to 15)), this flag is set to 1 again when the message storage processing starts. Even if the RMNSn flag remains 1, a new message is overwritten to the receive buffer. The RMNSn flag should not be cleared to 0 during storage of messages.

18.12.2 FIFO Buffer Reading Procedure

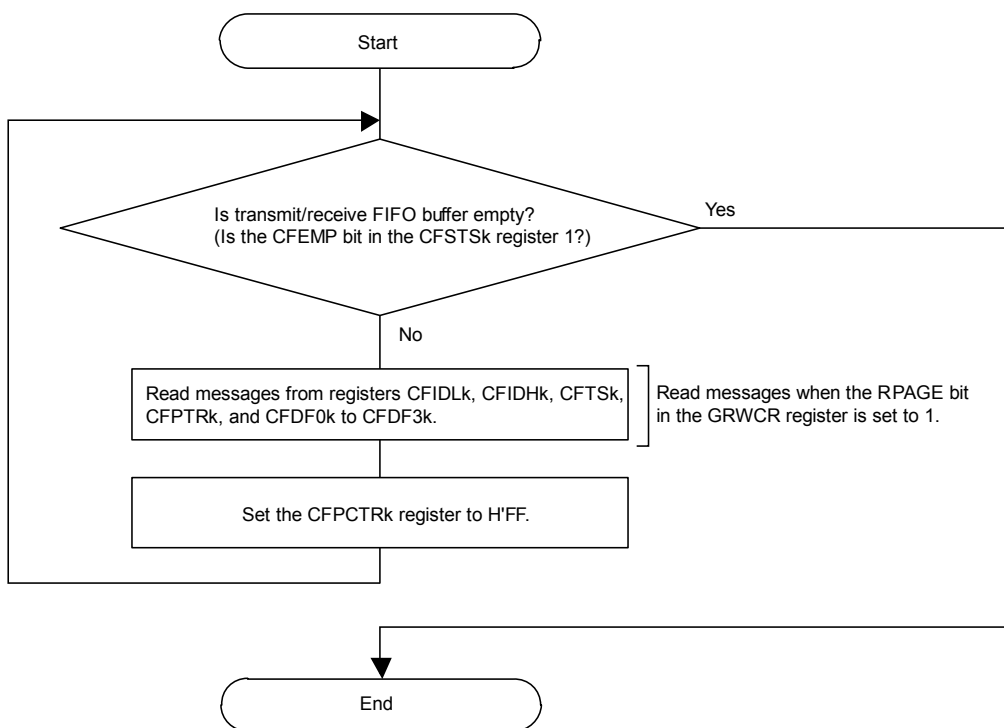
When received messages have been stored in one or more receive FIFO buffers or a transmit/receive FIFO buffer that is set to receive mode (include gateway mode), the corresponding message count display counter (RFMC[5:0] bits in the RFSTSm register or CFMC[5:0] bits in the CFSTSk register) is incremented. At this time, when the RFIE bit (receive FIFO interrupt is enabled) in the RFCCm register or the CFRXIE bit (transmit/receive FIFO receive interrupt is enabled) in the CFCCLk register is set to 1, an interrupt request is generated. Received messages can be read from the RFIDLm, RFIDHm, RFTSm, RFPTRm, and RFDF0m to RFDF3m registers (receive FIFO buffers) or the CFIDLk, CFIDHk, CFTSk, CFPTRk, and CFDF0k to CFDF3k registers (transmit/receive FIFO buffers). Messages in FIFO buffers can be read sequentially on a first-in, first-out basis.

When the message count display counter value matches the FIFO buffer depth (a value set by the RFDC[2:0] bits in the RFCCm register or the CFDC[2:0] bits in the CFCCLk register), the RFFLL in the RFSTSm register or CFFLL flag in the CFSTSk register is set to 1 (the receive FIFO buffer is full).

When all messages have been read out of the FIFO buffer, the RFEMP flag in the RFSTSm register or the CFEMP flag in the CFSTSk register is set to 1 (the receive FIFO buffer contains no unread message (buffer empty)).

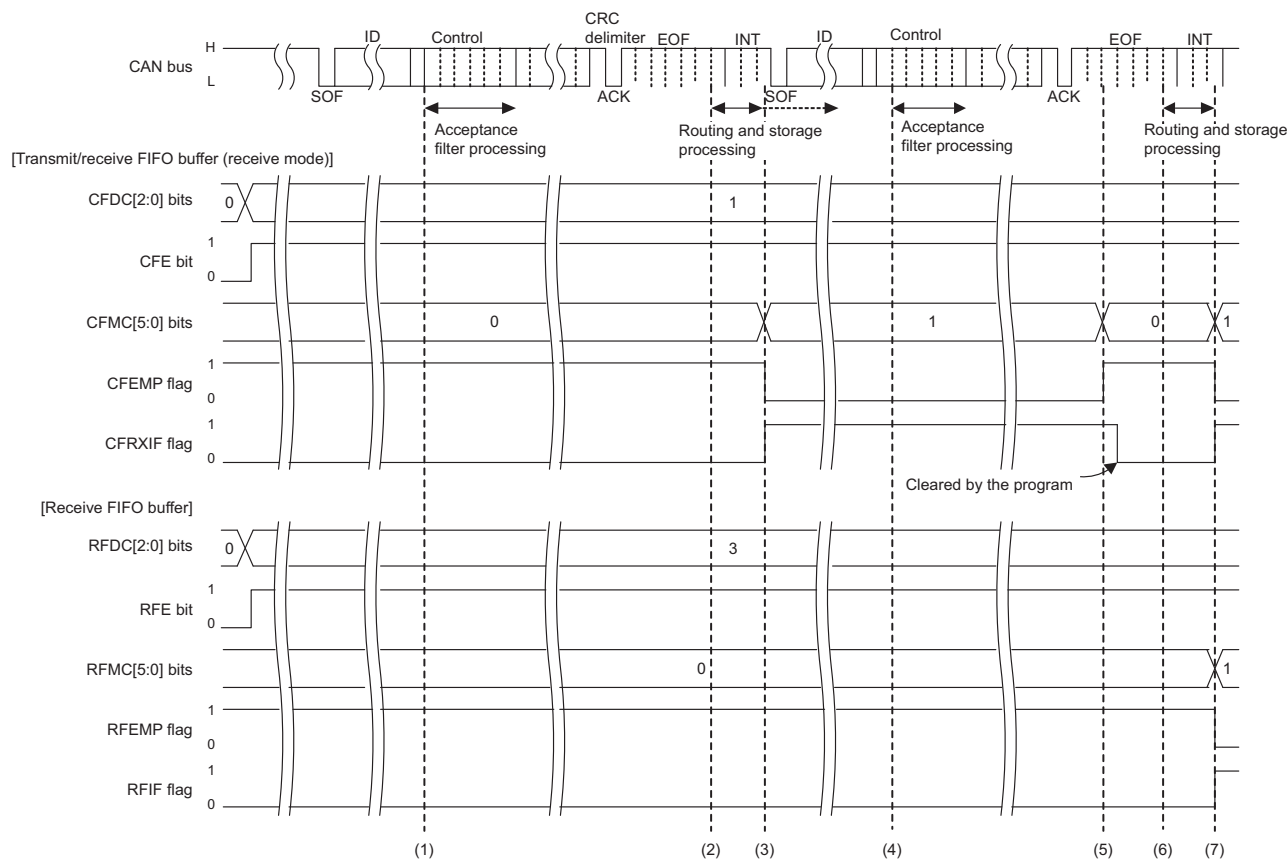
If the RFE bit in the RFCCm register or the CFE bit in the CFCCLk register is cleared to 0 (no receive FIFO buffer is used) with the interrupt request flag (RFIF flag in the RFSTSm register or CFRXIF flag in the CFSTSk register) set to 1 (a receive FIFO interrupt request is present), the interrupt request flag is not automatically cleared to 0. Clear the interrupt request flag to 0 by the program.

Figure 18-25. Transmit/Receive FIFO Buffer Reading Procedure



Remark k = 0, 1

Figure 18-26. FIFO Buffer Reception Timing Chart



Remark k = 0, 1, m = 0 to 3
 CFDC[2:0], CFE: Bits in the CFCCLK register
 CFMC[5:0], CFEMP, CFRXIF: Flags in the CFSTSk register
 RFDC[2:0], RFE: Bits in the RFCCm register
 RFMC[5:0], RFEMP, RFIF: Flags in the RFSTSm register

- (1) When the ID field in a message has been received, the acceptance filter processing starts.
- (2) When the message matches the receive rule of the corresponding channel and the message has been successfully received, the routing processing to transfer the message to the specified buffer starts. When the DCE bit in the GCFGL register is set to 1 (DLC check is enabled), the DLC filter processing starts at this time.
- (3) When the message has passed through the DLC filter processing and the CFE value in the CFCCLK register is 1 (transmit/receive FIFO buffers are used) and the CFDC[2:0] value in the CFCCLK register is B'001 or more, the message is stored in the transmit/receive FIFO buffer that is set to receive mode. The CFMC[5:0] value in the CFSTSk register is incremented and becomes H'01. When the CFIM bit in the CFCCLK register is set to 1 (a FIFO receive interrupt request is generated each time a message has been received), the CFRXIF flag in the CFSTSk register is set to 1 (a transmit/receive FIFO receive interrupt request is present). The CFRXIF flag can be reset to 0 by the program.
- (4) When the ID field of the next message has been received, the acceptance filter processing starts.
- (5) Read received messages from the CFIDLK, CFIDHK, CFTSK, CFPTRk, and CFDF0k to CFDF3k registers and write H'FF to the CFPCTRk register. Thereby the CFMC[5:0] bits in the CFSTSk register are decremented and become H'00, and the CFEMP flag in the CFSTSk register becomes 1 (the transmit/receive FIFO buffer contains no message (buffer empty)).
- (6) When the message matches the receive rule of the corresponding channel and the message has been successfully received, the routing processing to transfer the message to the specified buffer starts. When the DCE bit in the GCFGL register is set to 1 (DLC check is enabled), the DLC filter processing starts at this time.

(7) The message is stored in the transmit/receive FIFO buffer set in receive mode, when the message has passed through the DLC filter process if the CFE bit is set to 1 (transmit/receive FIFO buffers are used) and the CFDC[2:0] bits are set to B'001 or more.

The CFMC[5:0] value is incremented to H'01. When the CFIM bit is set to 1 (an interrupt occurs each time a message has been received), the CFRXIF flag is set to 1 (a transmit/receive FIFO receive interrupt request is present).

The message is stored in the receive FIFO buffer, if the RFE bit in the RFCCm register is set to 1 (receive FIFO buffers are used) and RFDC[2:0] bits in the RFCCm register are set to B'001 or more.

The RFMC[5:0] value in the RFSTSm register is incremented to H'01. When the RFIM bit in the RFCCm register is set to 1 (an interrupt occurs each time a message has been received), the RFIF flag in the RFSTSm register is set to 1 (a receive FIFO interrupt request is present).

18.13 Transmission Procedure

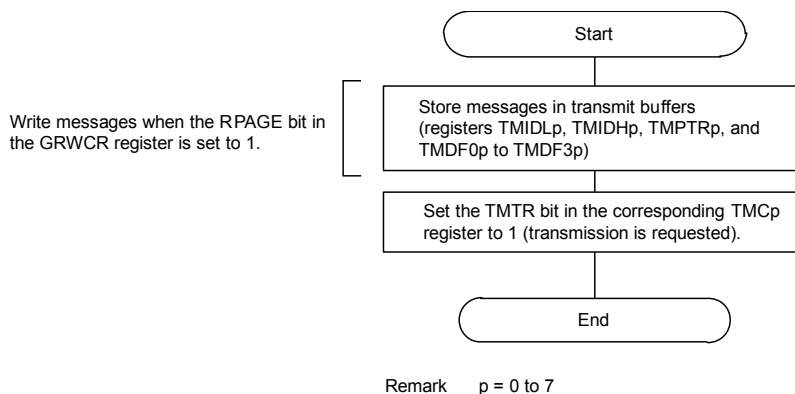
18.13.1 Procedure for Transmission from Transmit Buffers

Figure 18-27 shows the procedure for transmission from transmit buffers.

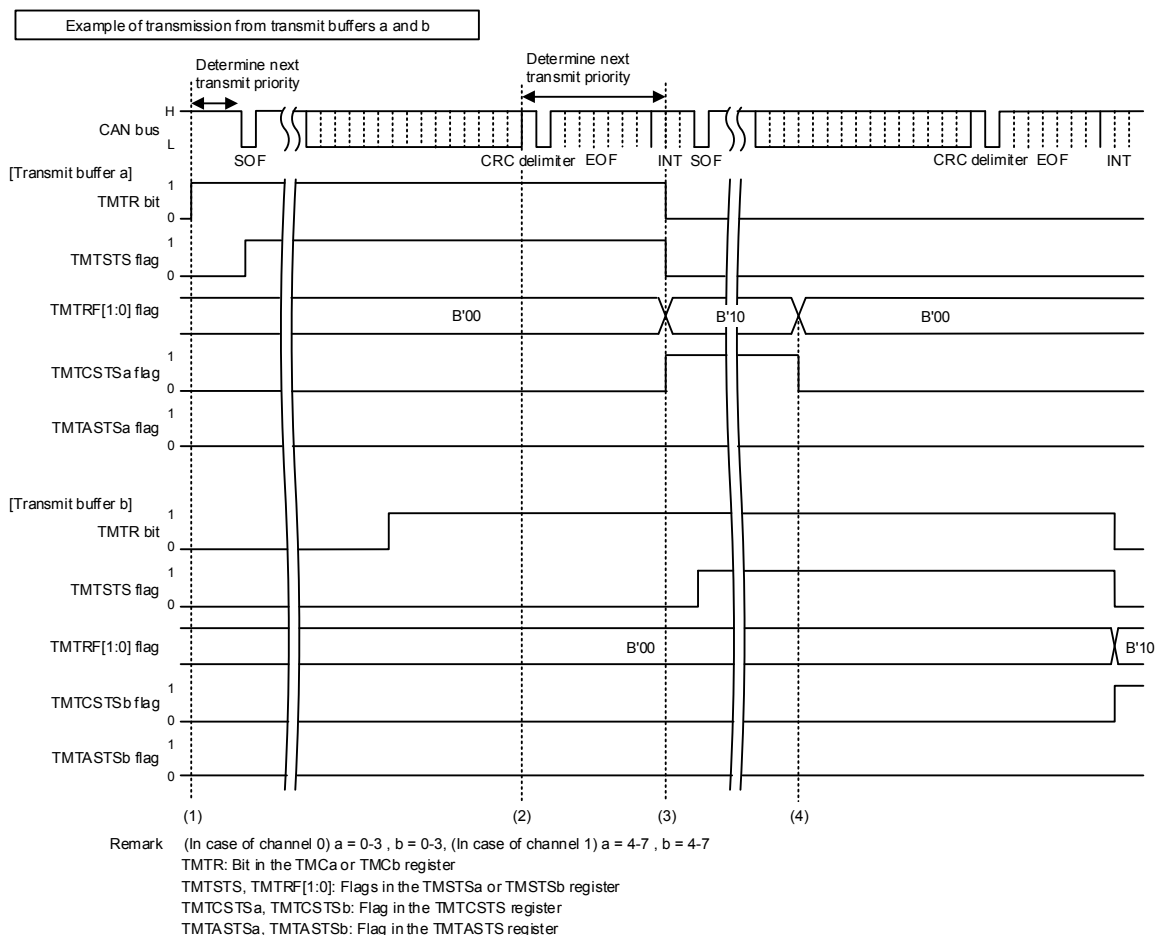
Figure 18-28 shows a timing chart where messages are transmitted from two transmit buffers of the same channel.

Figure 18-29 shows a timing chart where messages are transmitted from two transmit buffers of the same channel and transmit abort has been completed.

Figure 18-27. Procedure for Transmission from Transmit Buffers



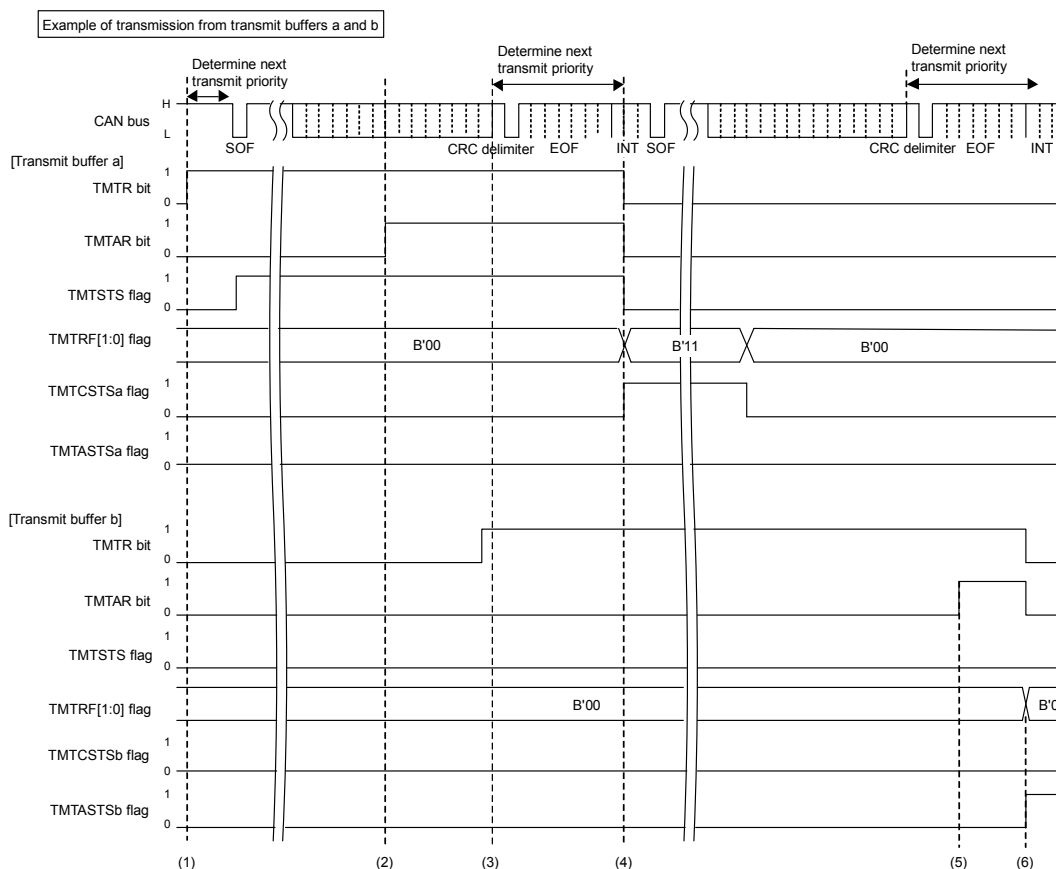
**Figure 18-28. Transmit Buffer Transmission Timing Chart
(Transmission Completed Successfully)**



- (1) When the TMTR bit in the TMCa register is set to 1 while the CAN bus is idle, the transmit priority determination processing starts to determine the highest-priority transmit buffer. If transmit buffer a is determined to be the highest-priority transmit buffer, the TMTSTS flag in the corresponding TMSTSa register is set to 1 (transmission is in progress) and the CAN channel starts transmitting data.
- (2) When a transmit request from a buffer is present, the priority determination starts with the CRC delimiter for the next transmission.
- (3) When transmit completes successfully, the TMTRF[1:0] flag in the TMSTSa register is set to B'10 (transmission has been completed (without transmit abort request)), the TMTSTS flag and the TMTR bit in the TMCa register are cleared to 0, and the TMTCSa bit in the TMTCS register is set to 1. When the TMIEa value in the TMIEC register is 1 (transmit buffer interrupt is enabled), a CANi transmit interrupt request is generated. To clear the interrupt request, set the TMTRF[1:0] flag to B'00 (transmission is in progress or no transmit request is present).
- (4) Before starting the next transmission, set the TMTRF[1:0] flag to B'00. Write the next message to the transmit buffer, and then set the TMTR bit to 1 (transmission is requested). The TMTR bit can be set to 1 only when the TMTRF[1:0] flag value is B'00.

If an arbitration lost has occurred after transmission is started, the TMTSTS flag is cleared to 0. The transmit priority determination is reexecuted at the beginning of the CRC delimiter to search the highest-priority transmit buffer. If an error has occurred during transmission or after arbitration lost, the priority determination processing is reexecuted during transmission of an error frame.

Figure 18-29. Transmit Buffer Transmission Timing Chart (Transmit Abort Completed)



Remark (In case of channel 0) a = 0-3, b = 0-3; (In case of channel 1) a = 4-7, b = 4-7
 TMTR: Bit in the TMCa or TMCb register
 TMTSTS, TMTRF[1:0]: Flags in the TMSTSa or TMSTSb register
 TMTCSa, TMTCSb: Flag in the TMTCS register
 TMTASTSa, TMTASTSb: Flag in the TMTASTS register

- (1) When the TMTR bit in the TMCa register is set to 1 while the CAN bus is idle, the transmit priority determination processing starts to determine the highest-priority transmit buffer. If transmit buffer a is determined to be the highest-priority transmit buffer, the TMTSTS flag in the corresponding TMSTSa register is set to 1 (transmission is in progress) and the CAN channel starts transmitting data.
- (2) When it is determined that the transmit buffer is used for the next transmission or transmission is in progress, message transmission is not aborted unless an error or arbitration lost occurs even if the TMTAR bit is set to 1 (transmit abort is requested).
- (3) The priority determination starts with the CRC delimiter for the next transmission. In this timing chart, buffer b is not selected as the next transmit buffer.
- (4) When transmit completes successfully, the TMTRF[1:0] flag in the TMSTSa register is set to B'11 (transmission has been completed (with transmit abort request)), the TMTSTS flag and the TMTR bit in the TMCa register are cleared to 0, and the TMTCSa bit in the TMTCS register is set to 1. When the TMIEa value in the TMIEC register is 1 (transmit buffer interrupt is enabled), a CANi transmit interrupt request is generated. To clear the interrupt request, set the TMTRF[1:0] flag to B'00 (transmission is in progress or no transmit request is present).
- (5) While another CAN node is transmitting data on the CAN bus (TMTSTS flag = 0), if the TMTAR bit is set to 1 while the corresponding channel is determining transmit priority, the TMTR bit cannot be cleared to 0.
- (6) After the internal processing time has passed, the transmission is terminated and the TMTRF[1:0] flag is set to B'01 and the TMTASTSb bit in the TMTASTS register is set to 1. When the transmit buffer is not transmitting data and is not selected as the next transmit buffer and priority determination is not being made, an abort request is immediately accepted and the TMTRF[1:0] flag is set to B'01. At this time, the TMTR and TMTAR bits are cleared to 0. When transmit abort is completed with the TAIE bit in the CiCTR register set to 1 (transmit abort interrupt is enabled), an interrupt request is generated. To clear the interrupt request, set the TMTRF[1:0] flag to B'00.

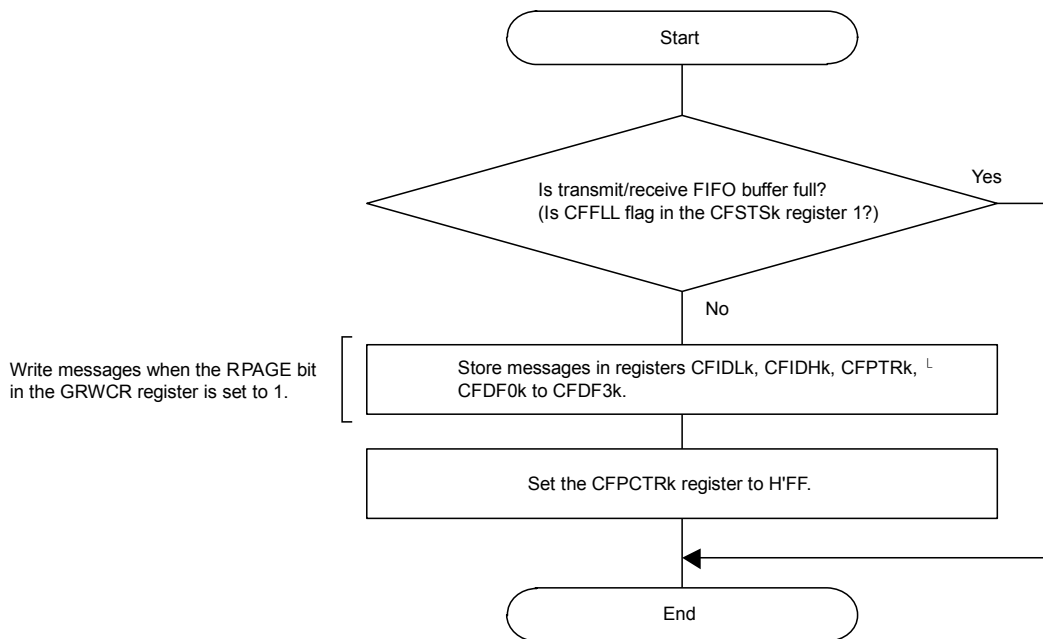
If an arbitration lost has occurred after the CAN channel started transmission, the TMTSTS bit is cleared to 0. The transmit priority determination is reexecuted at the beginning of the CRC delimiter to search the highest-priority transmit buffer. If an error has occurred during transmission or after arbitration lost, the priority determination processing is reexecuted during transmission of an error frame.

18.13.2 Procedure for Transmission from Transmit/Receive FIFO Buffers

Figure 18-30 shows the procedure for transmission from transmit/receive FIFO buffers.

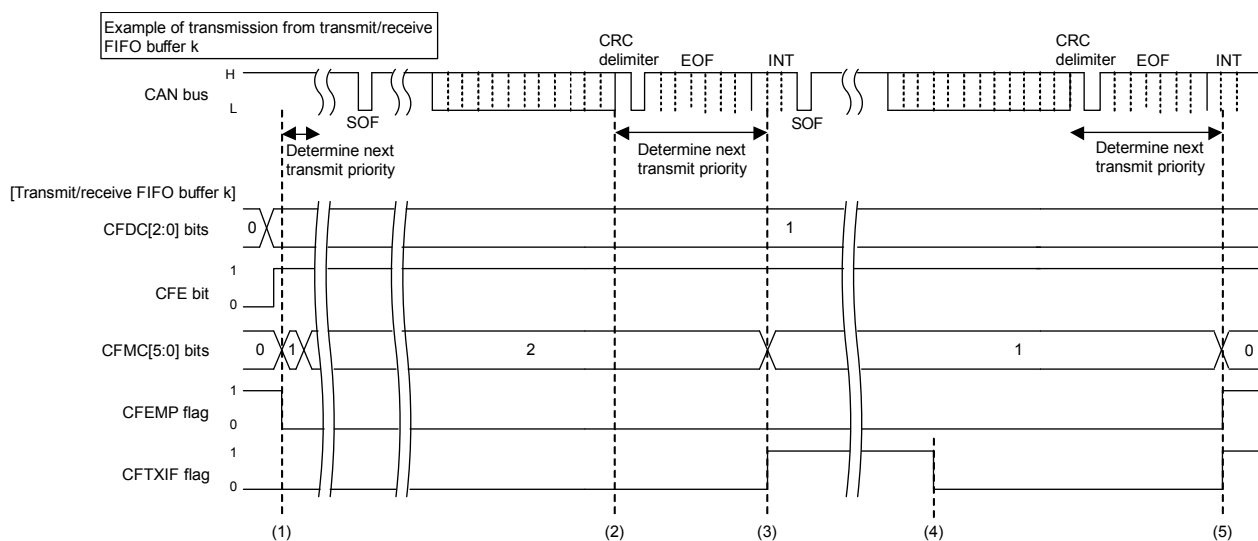
Figure 18-31 shows a timing chart where messages are transmitted from the transmit/receive FIFO buffers. Figure 18-32 shows a timing chart where messages are transmitted from the transmit/receive FIFO buffers and transmit abort has been completed.

Figure 18-30. Procedure for Transmission from Transmit/Receive FIFO Buffers



Remark k = 0, 1

**Figure 18-31. Transmit/Receive FIFO Buffer Transmission Timing Chart
(Transmission Completed Successfully)**

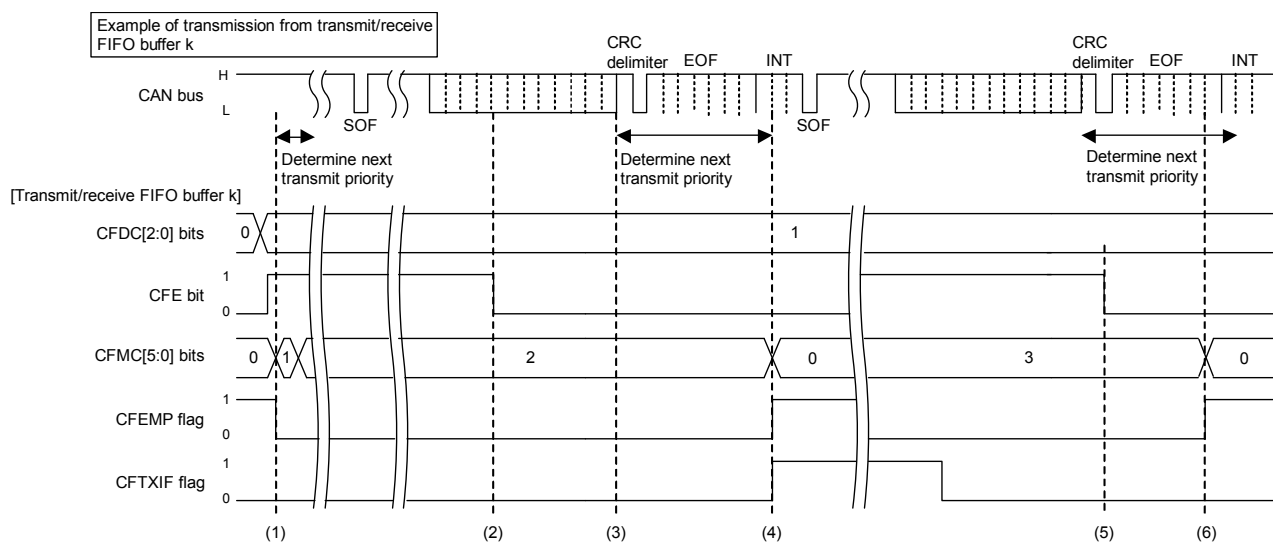


Remark k = 0, 1
 CFDC[2:0], CFE: Bits in the CFCCLK register
 CFMC[5:0], CFEMP, CFTXIF: Flags in the CFSTSk register

- (1) While the CAN bus is idle, when the CFE value in the CFCCLk register is 1 (transmit/receive FIFO buffer k is used) and the CFDC[2:0] value in the CFCCLk register is B'001 (4 messages) or more and the CFMC[5:0] value in the CFSTSk register is H'01 or more, the priority determination processing starts to determine the highest-priority transmit message. When the highest-priority transmit message has been determined, transmission of the message starts.
- (2) When a transmit request from a buffer is present, the priority determination starts with the CRC delimiter for the next transmission.
- (3) When transmit completes successfully, the CFMC[5:0] value in the CFSTSk register is decremented. Setting the CFIM bit in the CFCCLk register to 1 (a FIFO transmit interrupt request is generated each time a message has been transmitted) sets the CFTXIF flag in the CFSTSk register to 1 (a transmit/receive FIFO transmit interrupt request is present).
- (4) The CFTXIF flag can be cleared by the program.
- (5) Message transmission from transmit/receive FIFO buffer k has been completed and the CFMC[5:0] value in the CFSTSk register is decremented. The CFMC[5:0] bits are cleared to H'00 and therefore the CFEMP flag in the CFSTSk register is set to 1 (the transmit/receive FIFO buffer contains no message (buffer empty)).

Transmission is continued until the CFEMP flag is set to 1. It is possible to continuously store transmit messages in FIFO buffers until the CFFLL flag in the CFSTSk register is set to 1 (the transmit/receive FIFO buffer is full).

**Figure 18-32. Transmit/Receive FIFO Buffer Transmission Timing Chart
(Transmit Abort Completed)**



Remark k = 0, 1
 CFDC[2:0], CFE: Bits in the CFCCLk register
 CFMC[5:0], CFEMP, CFTXIF: Flags in the CFSTSk register

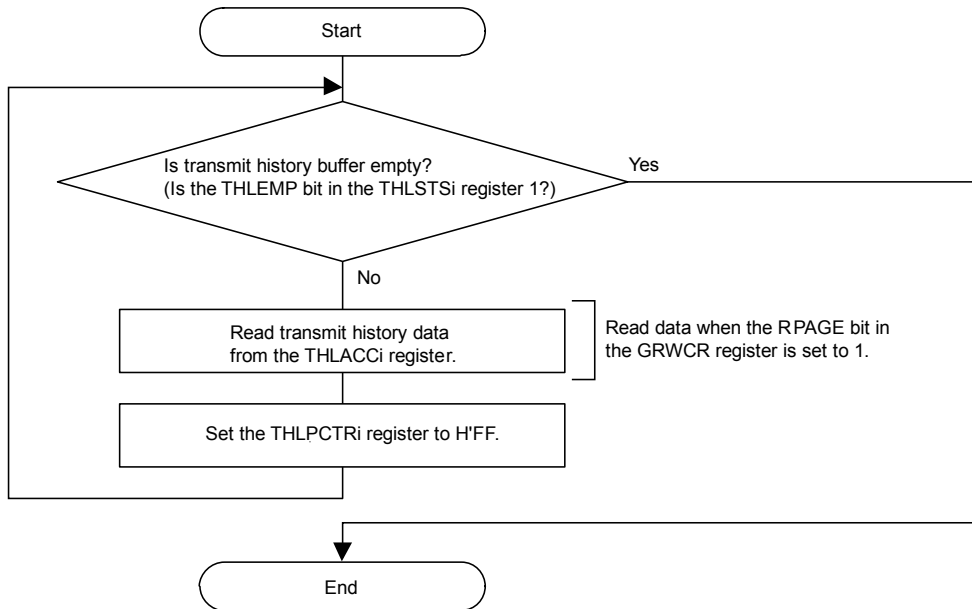
- (1) While the CAN bus is idle, when the CFE value in the CFCCLk register is 1 (transmit/receive FIFO buffer k is used) and the CFDC[2:0] value in the CFCCLk register is B'001 (4 messages) or more and the CFMC[5:0] value in the CFSTSk register is H'01 or more, the priority determination processing starts to determine the highest-priority transmit message. When the highest-priority transmit message has been determined, transmission of the message starts.
- (2) When transmission is in progress or it is determined that the transmit/receive FIFO buffer is used for the next transmission, message transmission is not aborted unless an error or arbitration lost occurs even if the CFE bit is set to 0 (no transmit/receive FIFO buffer k is used).

- (3) When a transmit request from a buffer is present, the priority determination starts with the CRC delimiter for the next transmission. In this figure, transmit/receive FIFO buffer k is not selected as a buffer for the next transmission.
- (4) When transmit completes successfully, the CFMC[5:0] value is cleared to H'00. Setting the CFIM bit in the CFCCLk register to 1 (a FIFO transmit interrupt request is generated each time a message has been transmitted) sets the CFTXIF flag in the CFSTSk register to 1 (a transmit/receive FIFO transmit interrupt request is present). The CFTXIF flag can be cleared by the program.
- (5) If another CAN node on the CAN bus is transmitting data (not from transmit/receive FIFO buffer k), transmit/receive FIFO buffer k cannot be disabled immediately even if the CFE bit in the CFCCLk register is cleared to 0 (no transmit/receive FIFO buffer k is used) during transmit priority determination. (The CFEMP flag in the CFSTSk register is not set to 1 (the transmit/receive FIFO buffer contains no message (buffer empty)) immediately.)
- (6) After the internal processing time has passed, transmit/receive FIFO buffers are disabled and the CFMC[5:0] bits in the CFSTSk register are cleared to H'00 and the CFEMP flag is set to 1. When the transmit/receive FIFO buffer k is not transmitting data and is not selected as the next transmit buffer and priority determination is not in progress, the transmit/receive FIFO buffer k is immediately disabled. (The CFMC[5:0] bits are cleared to H'00 and the CFEMP flag is set to 1.)

18.13.3 Transmit History Buffer Reading Procedure

Transmit history data can be read from the THLACCI register. The next data can be accessed by writing H'FF to the corresponding THLPCTRI register after reading a set of data. Figure 18-33 shows the transmit history buffer reading procedure.

Figure 18-33. Transmit History Buffer Reading Procedure



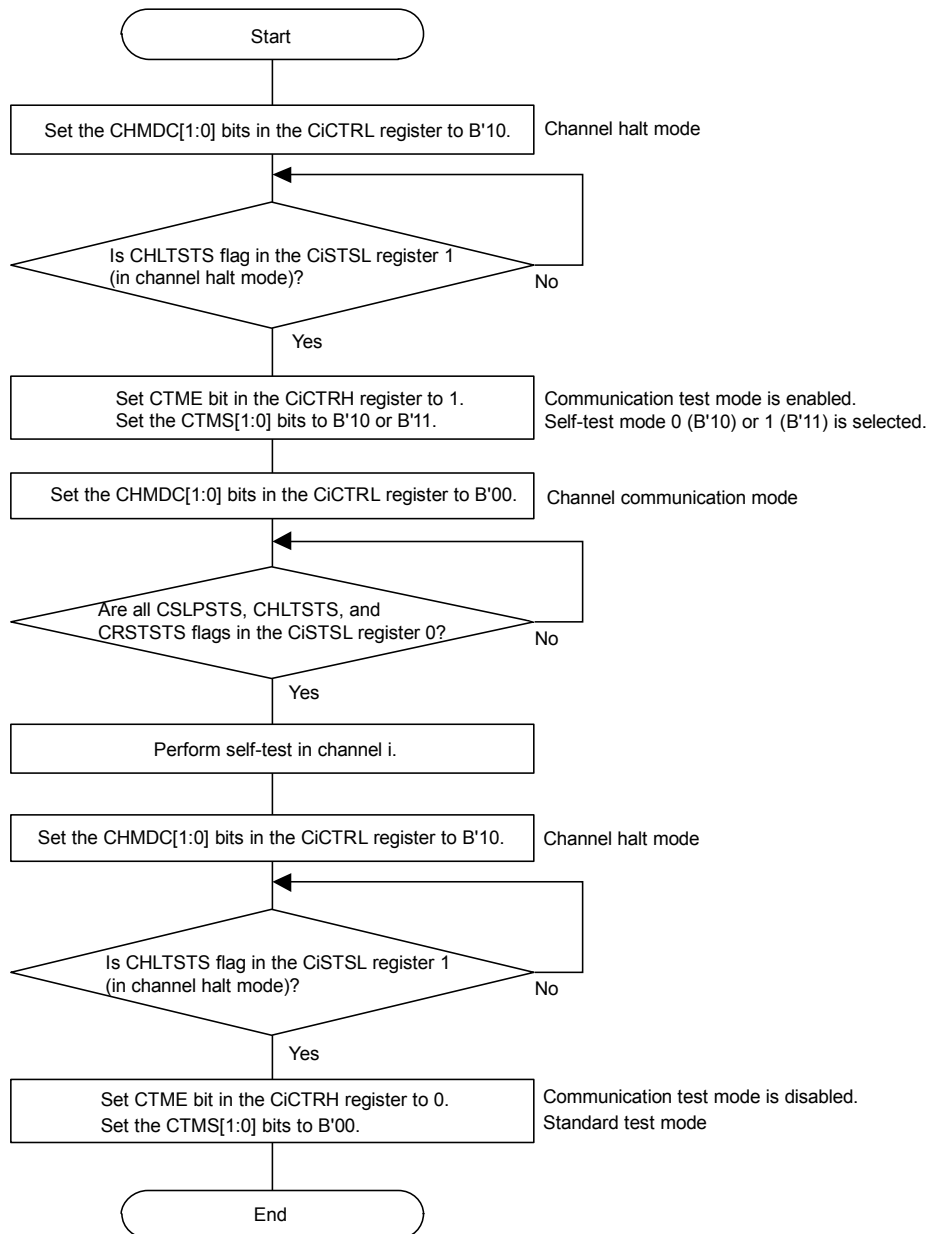
Remark i = 0, 1

18.14 Test Settings

18.14.1 Self-Test Mode Setting Procedure

Self-test mode allows communication test on a channel basis by receiving messages transmitted from the own node. Figure 18-34 shows the self-test mode setting procedure.

Figure 18-34. Self-Test Mode Setting Procedure



Remark i = 0, 1

18.14.2 Protection Unlock Procedure

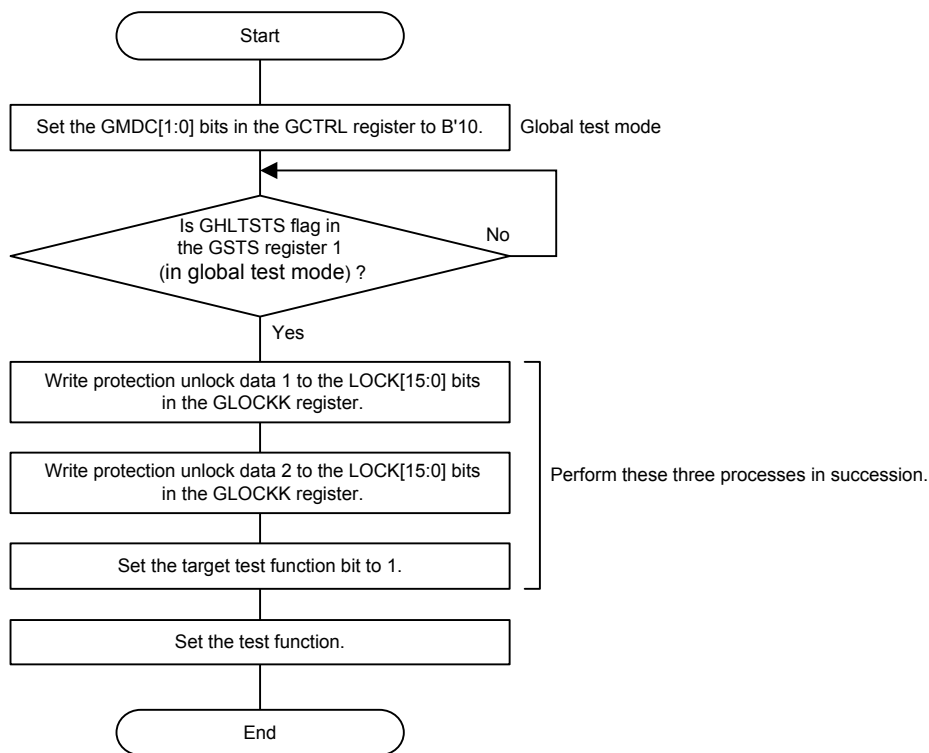
Since the global test functions shown in Table 18-15 are protected, write unlock data 1 and unlock data 2 in succession to the LOCK[15:0] bits in the GLOCKK register, and then set each test function bit to 1.

Table 18-15. Protection Unlock Data for Test Functions

Test Function	Protection Unlock Data 1	Protection Unlock Data 2	Target Bit
RAM test	H'7575	H'8A8A	RTME bit in the GTSTCTRL register

If an incorrect value has been written to the LOCK[15:0] bits, retry the procedure above from writing of unlock data 1. Figure 18-35 shows the protection unlock procedure.

Figure 18-35. Protection Unlock Procedure

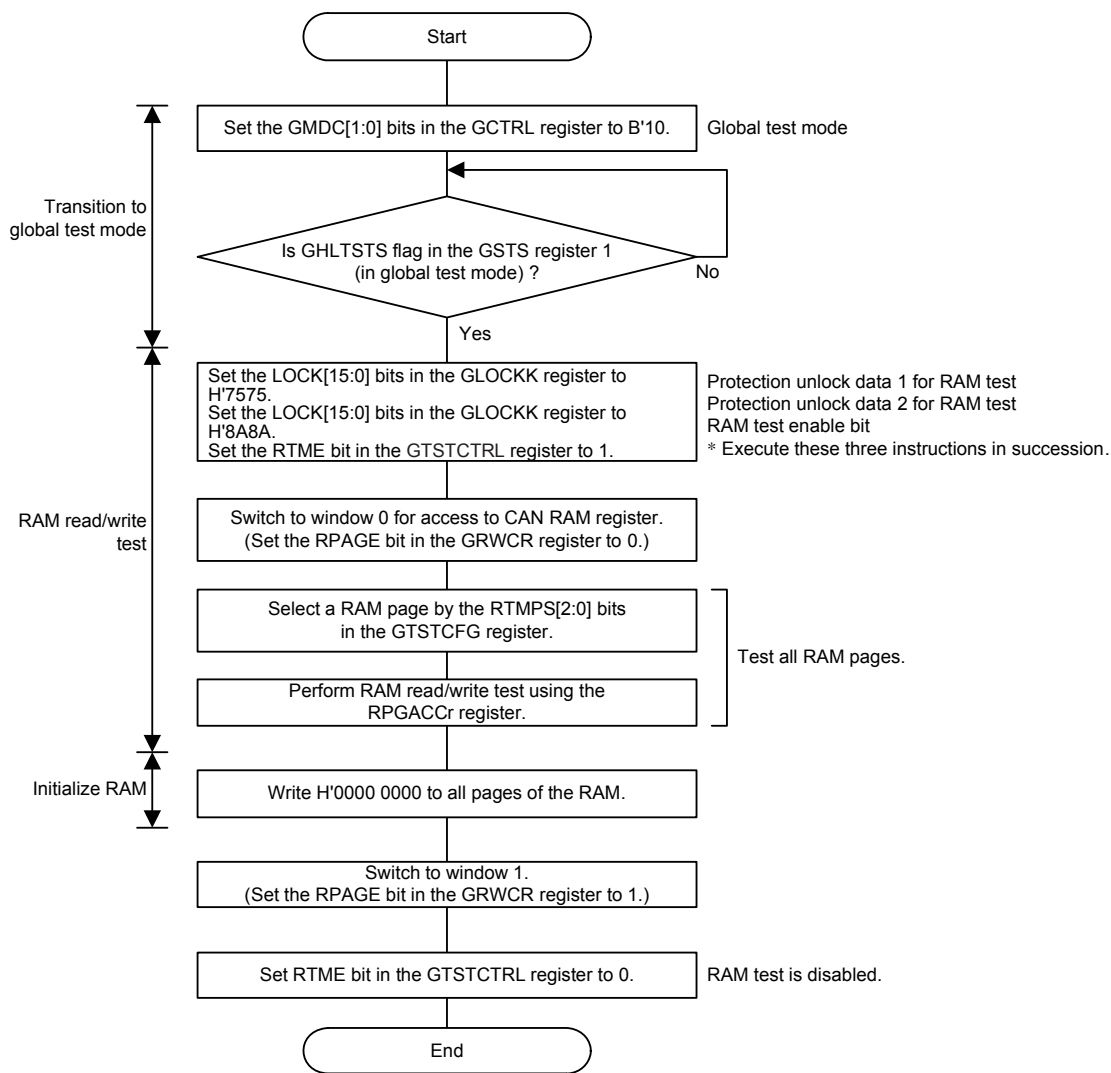


18.14.3 RAM Test Setting Procedure

RAM tests include CAN RAM read/write test. The read/write test verifies that data written to the RAM is read correctly. Before closing the RAM test, write H'0000 0000 to all pages of the CAN RAM.

Figure 18-36 shows the RAM test setting procedure.

Figure 18-36. RAM Test Setting Procedure



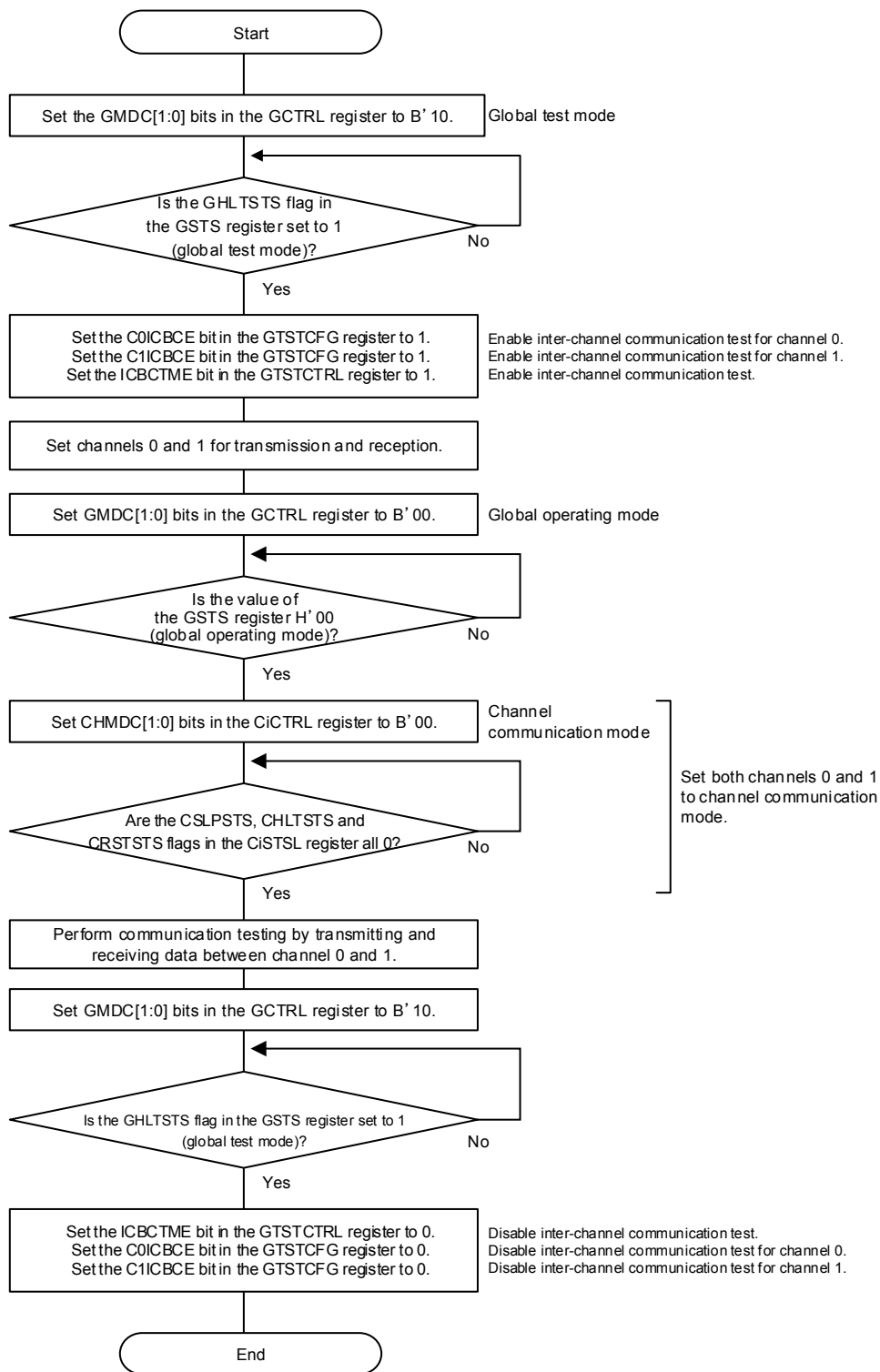
Remark r = 0 to 127

18.14.4 Inter-Channel Communication Test Setting Procedure

Communication testing can be performed by transmitting and receiving data between different channels.

Figure 18-37 shows the inter-channel communication test setting procedure.

**Figure 18-37. Inter-Channel Communication Test Setting Procedure
(Example of Communication Test between Channel 0 and Channel 1)**



18.15 Notes on the CAN Module

- When changing a global mode, check the GSLPSTS, GHLTSTS, and GRSTSTS flags in the GSTS register for transitions. When changing a channel mode, check the CSLPSTS, CHLTSTS, and CRSTSTS flags in the CiSTSL register for transitions.
- The acceptance filter processing checks receive rules sequentially in ascending order from the minimum rule number. If the same ID, IDE bit, or RTR bit value is set for multiple receive rules, the minimum number of receive rule is used for the acceptance filter processing. If the message does not pass through the subsequent DLC filter processing, the data processing is terminated without returning to the acceptance filter processing and the message is not stored in the buffer.
- When linking transmit buffers to transmit/receive FIFO buffers, set the control register (TCMp) of the corresponding transmit buffer to H'00. The status register (TMSTSp) of the corresponding transmit buffer should not be used. Flags in other status registers (registers TMTRSTS, TMTCSSTS, and TMTASTS), which correspond to transmit buffers linked to transmit/receive FIFO buffers remain unchanged. Set the enable bit in the corresponding interrupt enable register (the TMIEC register) to 0 (transmit buffer interrupt is disabled).
- When the CANi bit time clock is selected as a timestamp counter clock source, the timestamp counter stops when the corresponding channel has transitioned to channel reset mode or channel halt mode.
- In case of an attempt to store a new receive message when the receive FIFO buffer and the transmit/receive FIFO buffer are full, the new message is discarded. If you wish to store a new transmit message in the transmit/receive FIFO buffer, check that the transmit/receive FIFO buffer is not full.
- Since an interrupt request flag in the CAN module is not automatically cleared to 0 when an interrupt is accepted, the flags must be cleared to 0 by software. After the corresponding interrupt request flag has been set to 1, an interrupt is not generated even if an interrupt source condition is satisfied.
- In order to generate the CAN related interrupt that several interrupt sources are gathered, the following condition should be met:
All interrupt request flags corresponding to these interrupt sources in the CAN module are set to 0 (note that this only applies to those interrupt request flags for which the corresponding interrupt enable bits shown in Table 18-12 are set to 1).
- The values of unused CAN receive buffer registers (RMIDLn, RMIDHn, RMTSn, RMPTRn, and RMDF0n to RMDF3n), CAN receive FIFO access registers (RFIDLm, RFIDHm, RFTSm, RFPTRm, and RFDF0m to RFDF3m), and CANi transmit/receive FIFO access registers (CFIDLk, CFIDHk, CFTSk, CFPTRk, and CFDF0k to CFDF3k) become undefined once the CAN module exits from global reset mode and enters global operation mode or global test mode.

CHAPTER 19 IEBus Controller (IEBB)

IEBus (Inter Equipment Bus) is a digital data transfer system. To implement IEBus with the RL78/F15, an external IEBus driver and receiver are necessary because they are not provided.

19.1 RL78/F15 IEBB Features

Instances

The RL78/F15 products has the following number of instances of the IEBB.

Table 19-1. Instances of IEBB

IEBB	
Number of instances	1
Name	IEBB0

Interrupts and DTC

IEBus controller (IEBB0) can generate the following interrupt requests and DTC request.

Table 19-2. IEBB0 interrupts and DTC request

Interrupt request signal	Function	Connected to:
IEBBTD	IEBus data interrupt	Interrupt controller INTIEBBTD DTC activation source No. 50
IEBBTV	IEBus vector interrupt	Interrupt controller INTIEBBTV

19.2 Configuration of The IEBus Controller (IEBB)

19.2.1 Function overview

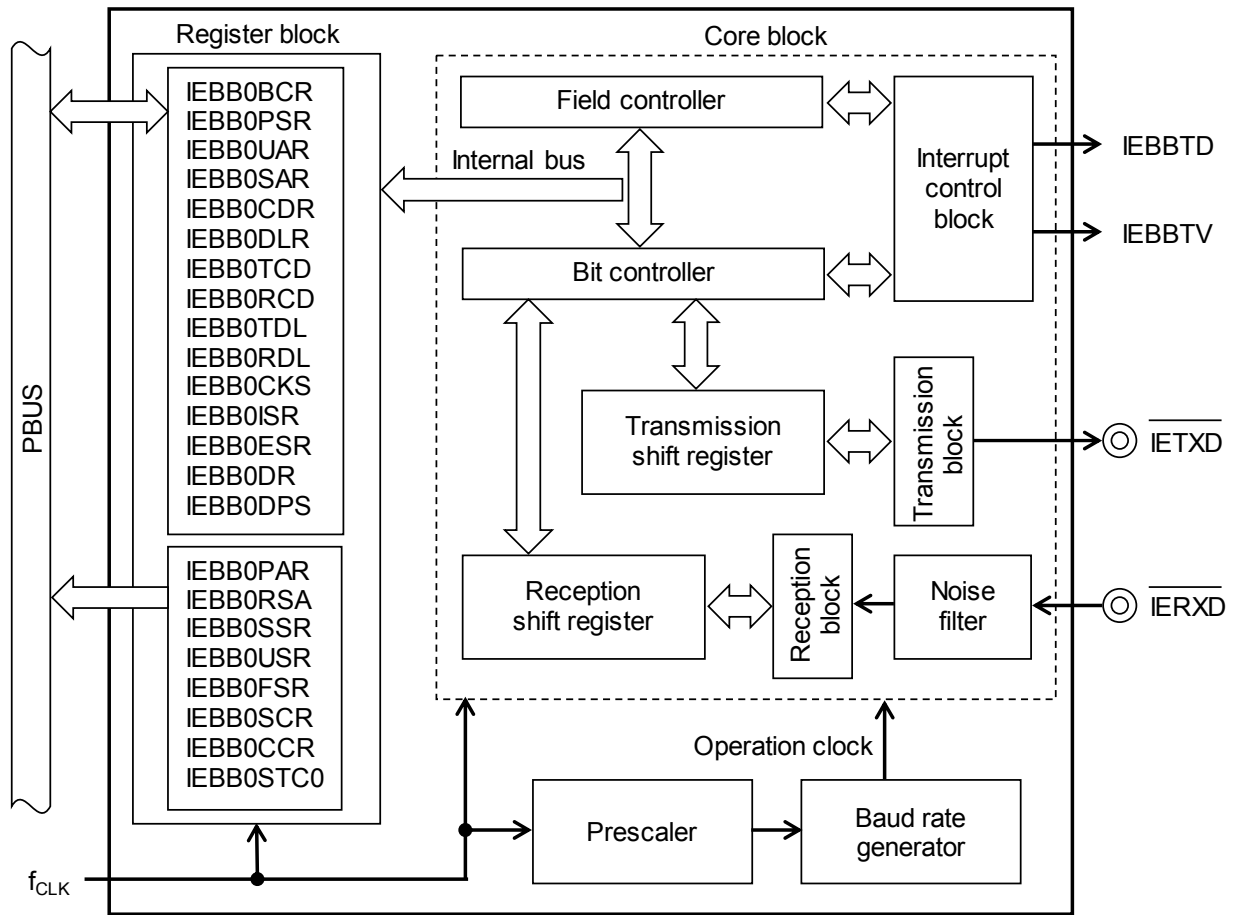
Table 19-3 shows the IEBB0 module specifications.

Table 19-3. IEBB0 specifications

Item	Specification
IEBus communication function	IEBus (communication mode 1/ communication mode 2) protocol
Communication speed	Approximately 18 kbps (mode 1) or approximately 27 kbps (mode 2)
Maximum number of transferred data	32 bytes/ frame (mode 1), 128 bytes/ frame (mode 2)
Operation clock	8 MHz
Interrupt request signal	<ul style="list-style-type: none"> • IEBus data interrupt <ul style="list-style-type: none"> - For transmission data write processing - For reception data read processing • IEBus vector interrupt <ul style="list-style-type: none"> - Communication error - Start request - Status transmission request - Communication end - Frame end
Pin configuration	$\overline{\text{IERXD}}$: IEBus reception data input signal $\overline{\text{IETXD}}$: IEBus transmission data output signal

19.2.2 Block diagram

Figure 19-1. IEBB0 block diagram



19.3 Registers of IEBus Controller (IEBB)

IEBB0 is controlled and operated by the following registers:

Table 19-4. IEBB0 registers

Register name	Symbol	Value after reset	Address	Access size
Peripheral enable register 2	PER2	00H	F02C1H	1, 8
IEBB0 bus control register	IEBB0BCR	00H	F07C0H	1, 8
IEBB0 power save register	IEBB0PSR	00H	F07C1H	1, 8
IEBB0 unit address register	IEBB0UAR	0000H	F07C2H	16
IEBB0 slave address register	IEBB0SAR	0000H	F07C4H	16
IEBB0 partner address register	IEBB0PAR	0000H	F07C6H	16
IEBB0 reception slave address register	IEBB0RSA	0000H	F07C8H	16
IEBB0 control data register	IEBB0CDR	00H	F07CAH	8
IEBB0 message length register	IEBB0DLR	01H	F07CBH	8
IEBB0 transmission control data register	IEBB0TCD	00H	F07CCH	8
IEBB0 reception control data register	IEBB0RCD	00H	F07CDH	8
IEBB0 transmission message length register	IEBB0TDL	01H	F07CEH	8
IEBB0 reception message length register	IEBB0RDL	01H	F07CFH	8
IEBB0 clock selection register	IEBB0CKS	07H	F07D0H	8
IEBB0 slave status register	IEBB0SSR	81H	F07D1H	1, 8
IEBB0 unit status register	IEBB0USR	00H	F07D2H	1, 8
IEBB0 interrupt status register	IEBB0ISR	00H	F07D3H	1, 8
IEBB0 error status register	IEBB0ESR	00H	F07D4H	1, 8
IEBB0 field status register	IEBB0FSR	00H	F07D5H	8
IEBB0 success count register	IEBB0SCR	01H	F07D6H	8
IEBB0 communication count register	IEBB0CCR	20H	F07D7H	8
IEBB0 status clear register 0	IEBB0STC0	00H	F07D8H	1, 8
IEBB0 data register	IEBB0DR	00H	F07D9H	8
IEBB0 data polarity select register	IEBB0DPS	00H	F07DAH	1, 8

19.3.1 Peripheral Enable Register 2 (PER2)

The PER2 register is used to enable or disable supplying the clock to the peripheral hardware. Clock supply to the hardware that is not used is also stopped so as to decrease the power consumption and noise.

To use the peripheral functions which are controlled by this register, set (1) the bit corresponding to each function before specifying the initial settings of the peripheral functions.

This register can be set by a 1-bit or 8-bit memory manipulation instruction.

Reset signal generation sets this register to 00H.

Figure 19-2. Format of Peripheral Enable Register 2 (PER2)

Address: F02C1H After reset: 00H R/W

Symbol	7	6	<5>	<4>	<3>	<2>	1	<0>
PER2	0	0	IEBUSEN	LIN2EN	LIN1EN	LIN0EN	0	CAN0EN

IEBUSEN	Control of IEBB input clock supply
0	Stops input clock supply. <ul style="list-style-type: none"> Disables writing to the SFR used by IEBB. IEBB is in the reset state.
1	Enables input clock supply. <ul style="list-style-type: none"> Enables reading from and writing to the SFR used by IEBB.

LIN2EN	Control of LIN2 input clock supply
0	Stops input clock supply. <ul style="list-style-type: none"> Disables writing to the SFR used by LIN2. LIN2 is in the reset state.
1	Enables input clock supply. <ul style="list-style-type: none"> Enables reading from and writing to the SFR used by LIN2.

LIN1EN	Control of LIN1 input clock supply
0	Stops input clock supply. <ul style="list-style-type: none"> Disables writing to the SFR used by LIN1. LIN2 is in the reset state.
1	Enables input clock supply. <ul style="list-style-type: none"> Enables reading from and writing to the SFR used by LIN1.

LIN0EN	Control of LIN0 input clock supply
0	Stops input clock supply. <ul style="list-style-type: none"> Disables writing to the SFR used by LIN0. LIN2 is in the reset state.
1	Enables input clock supply. <ul style="list-style-type: none"> Enables reading from and writing to the SFR used by LIN0.

CAN0EN	Control of CAN input clock supply
0	Stops input clock supply. <ul style="list-style-type: none"> Disables writing to the SFR used by CAN. LIN2 is in the reset state.
1	Enables input clock supply. <ul style="list-style-type: none"> Enables reading from and writing to the SFR used by CAN.

19.3.2 IEBB0 bus control register (IEBB0BCR)

The IEBB0BCR register is used to control the operation of IEBB0.

Access: This register can be read or written in 8-bit or 1-bit units.

Figure 19-3. Format of IEBB0 bus control register (IEBB0BCR)

Address: F07C0H After reset: 00H^{Note 1} R/W

Symbol	7	6	5	4	3	2	1	0
IEBB0BCR	IEBB0PW	IEBB0MSRQ	IEBB0ALRQ	IEBB0STXE	IEBB0SRXE	0	0	0

IEBB0PW	Communication enable flag ^{Note 2}
0	Stop IEBB0 unit operation.
1	Enable IEBB0 unit operation.

IEBB0MSRQ	Master request flag
0	Do not request the IEBB0 unit as the master.
1	Request the IEBB0 unit as the master.

IEBB0ALRQ	Broadcast request flag
0	Request individual communication.
1	Request broadcast communication.

IEBB0STXE	Slave transmission enable flag
0	Disable slave transmission.
1	Enable slave transmission.

IEBB0SRXE	Slave reception enable flag
0	Disable slave reception.
1	Enable slave reception.

- Note 1.** The IEBB0MSRQ, IEBB0ALRQ, IEBB0STXE and IEBB0SRXE bits are reset by writing 0 to the IEBB0PW bit.
- 2.** The following registers cannot be rewritten when IEBB0PW bit is set to 1. Therefore, these registers must be set before setting IEBB0PW bit.
- IEBB0PSR, IEBB0UAR and IEBB0CKS registers.

- Cautions 1.** When operation is enabled (when the IEBB0PW bit = 1), writing 1 to the IEBB0MSRQ bit is prohibited while the IEBB0MSRQ bit = 1. To write 1 to this bit, first clear it to 0.
- 2.** Note the following when accessing the register:
- When the IEBB0PW bit = 0, it is not possible to write to the IEBB0MSRQ, IEBB0ALRQ, IEBB0STXE, and IEBB0SRXE bits.
 - When a one-bit manipulation instruction is used to write to the IEBB0MSRQ, IEBB0ALRQ, IEBB0STXE, and IEBB0SRXE bits while the IEBB0MSRQ bit = 1, there might be contention between the clearing of the IEBB0MSRQ bit by the hardware and the setting of the bit by the hardware. Therefore, such writing is prohibited.

• **IEBB0PW: Bit 7**

Set/clear condition

Set: By software (Write 1 to the IEBB0PW bit.)

Clear: By software (Write 0 to the IEBB0PW bit.)

Depending on when the IEBB0PW bit is set (to 1), the IEBB0 communication participation method differs.

Table 19-5. IEBB0PW bit setting timing and communication participation method

Timing for setting the IEBB0PW bit (to 1)	IEBB0 communication participation method
When communication is not being performed on IEBus	Communication is participated in starting at the next frame or communication is started.
When communication is being performed on IEBus, and start bit communication is being performed by another bus master	Participates in communication from that frame if the start bit is detected. If the start bit is not detected, participates in communication from the next frame.
When communication is being performed on IEBus, and post-start bit communication is being performed by another bus master	Participates in communication from the next frame.

If the IEBB0PW bit is cleared (to 0), communication is immediately stopped even if it is in progress, and the internal flags and registers are reset, with some exceptions. The registers that are not reset by the IEBB0PW bit are shown below. When the IEBB0PW = 0, even if another unit starts communication, IEBB0 does not respond.

Table 19-6. Registers that are not reset by the IEBB0PW bit

Registers	Remark
IEBB0CDR, IEBB0DLR, IEBB0DR	Data written from the CPU is not reset but data received during communication is.
IEBB0PSR, IEBB0UAR, IEBB0SAR, IEBB0TCD, IEBB0TDL, IEBB0CKS, IEBB0STC0, IEBB0DPS	Not reset

• **IEBB0MSRQ: Bit 6**

Set/clear condition

Set: By software

Clear: Clear conditions are shown below.

- The flag is cleared (to 0) by hardware when master communication is started and when the IEBus vector interrupt (Start request) of the master occurs.
- The flag is cleared (to 0) by hardware when the IEBus vector interrupt (Communication error) occurs (when the EBBnISR.IEBB0IEBE bit = 1).
- The flag is cleared (to 0) by hardware when arbitration loss occurs.
- The flag is cleared (to 0) when the IEBB0PW bit is cleared.

When the IEBB0MSRQ bit is set (to 1), the IEBus controller starts communication on IEBus as the master.

If communication is in progress on IEBus, however, the controller waits until the current frame ends, and starts communication as the master.

Cautions 1. Only set the IEBB0MSRQ bit after clearing the IEBB0STXE bit to 0. After setting the IEBB0STXE bit to 1, if arbitration loss occurs and the slave is selected, the transmission data prepared for the master might be used as slave transmission data.

2. When arbitration is lost, use software to reissue master requests.

• **IEBB0ALRQ: Bit 5**

Set/clear condition

Set: By software

Clear: By software

- Cautions**
1. The IEBB0MSRQ bit is cleared (to 0) by hardware, but the IEBB0ALRQ bit is not. Therefore, if the next master request is for individual communication, clear the IEBB0ALRQ bit (to 0).
 2. Be sure to change the value of the IEBB0ALRQ bit before setting the IEBB0MSRQ bit (to 1).

• **IEBB0STXE: Bit 4**

Set/clear condition

Set: By software

Clear: By software

Slave transmission is controlled by the value of the slave transmission enable flag, but whether IEBB0 performs slave transmission (whether there is an ACK signal response for control field) is determined by other conditions.

The ACK signal response conditions for the control field are shown below.

Table 19-7. ACK signal response conditions (when the received control data is 0H, 3H, 4H, 5H, 6H or 7H)

Communication target (IEBB0SRQF bit) Slave specification = 1 No specification = 0	Lock status (IEBB0LCKF bit) Lock = 1 No lock = 0	Master unit judgment (IEBB0PAR register match) Lock request unit = 1 Other = 0	Slave transmission enabled (IEBB0STXE bit)	Slave reception enabled (IEBB0SRXE bit)	Received Control Data					
					0H	3H	4H	5H	6H	7H
1	0	don't care	0	don't care	A	N	N	N	A	N
			1		A	A	N	N	A	A
	1	0	A		N	A	A	N	N	
		1	0		A	N	A	A	A	N
			1		A	A	A	A	A	A
Other than the above					N					

Note A: Slave transmission is performed. (ACK signal) N: Slave transmission is not performed. (NACK signal)

Table 19-8. Control field ACK signal response conditions (when the received control data is AH, BH, EH or FH)

Communication target (IEBB0SRQF bit) Slave specification = 1 No specification = 0	Lock status (IEBB0LCKF bit) Lock = 1 No lock = 0	Master unit judgment (IEBB0PAR register match) Lock request unit = 1 Other = 0	Slave transmission enabled (IEBB0STXE bit)	Slave reception enabled (IEBB0SRXE bit)	Received Control Data			
					AH	BH	EH	FH
1	0	don't care	don't care	1	A			
	1	1			N			
Other than the above					N			

Note A: The ACK signal is returned. N: The NACK signal is returned.

- Cautions**
1. Set the IEBB0STXE bit before the control field parity bit is received.
 2. When there is a master request, clear the IEBB0STXE bit (to 0) before setting the IEBB0MSRQ bit (to 1). This is to avoid transmission of the data of the IEBB0DR register that tries master transmission if the controller loses arbitration after master operation and if slave transmission is requested by the master.

• IEBB0SRXE: Bit 3**Set/clear condition**

Set: By software

Clear: By software

When the IEBB0SRXE bit = 1 and the reception control data for the communicated control field addressed to the unit is AH, BH, EH, or FH (or when the lock status is specified and the master unit address of the communication matches the address for which a lock was requested), the $\overline{\text{ACK}}$ signal is returned for the control field, and a slave reception operation is performed.

When the IEBB0SRXE bit = 0 and the reception control data for the communicated control field addressed to the unit is AH, BH, EH, or FH, the NACK signal is returned for the control field, and no slave reception operation is performed.

- Cautions**
- 1. Set the IEBB0SRXE bit before the control field parity bit is received.**
 - 2. The IEBB0SRXE bit is used to enable or disable slave reception for both individual and broadcast communication. For individual communication, a NACK signal can be returned for the control field to end communication by clearing the IEBB0SRXE bit to 0 (thereby prohibiting slave reception), but, for broadcast communication, although communication cannot be ended by clearing this bit because no $\overline{\text{ACK/NACK}}$ signal is transmitted, no IEBus data interrupt occurs because IEBB0 does not respond to the broadcast communication.**

19.3.3 IEBB0 power save register (IEBB0PSR)

The IEBB0PSR register is used to operate and stop the IEBB0 operation clock and to control the communication mode.
 Access: This register can be read or written in 8-bit or 1-bit units.

Figure 19-4. Format of IEBB0 power save register (IEBB0PSR)

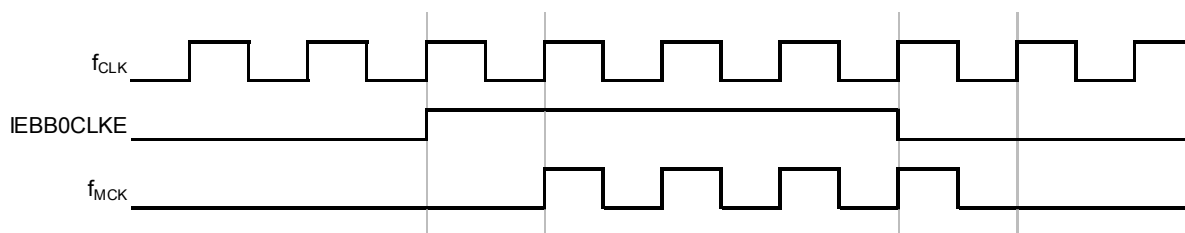
Address: F07C1H After reset: 00H R/W

Symbol	7	6	5	4	3	2	1	0
IEBB0PSR	IEBB0CLKE	IEBB0CMD	0	0	0	0	0	0

IEBB0CLKE	Operation clock enable flag
0	Stop the operation clock. Initialize the prescaler and baud rate generator.
1	Enable the operation clock.
The operation clock starts operating one clock cycle after the IEBB0CLKE bit is set to 1. Similarly, the operation clock stops operating one clock after the IEBB0CLKE bit is clear to 0. (For details, see Figure 19-5)	

IEBB0CMD	IEBB0 communication mode setting flag
0	Specify mode 1 as the operation mode.
1	Specify mode 2 as the operation mode.

Figure 19-5. Starting and stopping the operation clock



Note f_{CLK} : CPU/peripheral hardware clock frequency
 f_{MCK} : Frequency of the IEBus controller (IEBB0) operation clock

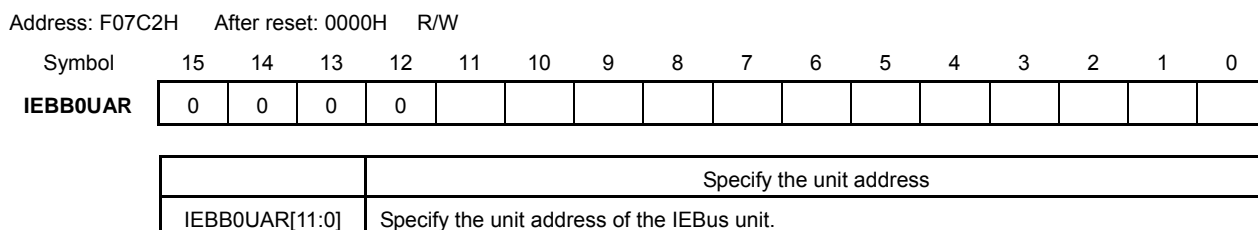
- Cautions**
1. The IEBB0PSR register can only be set up when the IEBB0BCR.IEBB0PW bit = 0. Do not set up the register when this bit = 1. If an attempt is made to set up the register when the IEBB0PW bit = 1, the value is ignored.
 2. To use IEBB0, first set the IEBB0CLKE bit (to 1) and enable the operation clock.
 To start the bus operation, specify the settings below.
 - When communication has started
 1. Set up the IEBB0CKS register.
 2. Set the IEBB0CLKE bit (to 1). (The operation clock operates.)
 Set the IEBB0CMD bit to 0 or 1 to specify the communication mode.
 3. Set up registers such as IEBB0UAR, IEBB0SAR, IEBn0TCD, IEBB0TDL, and IEBB0DR depending on the type of communication.
 4. Set the IEBB0BCR.IEBB0PW bit (to 1) to start communication.
 - When communication is stopped
 1. Clear the IEBB0PW bit to 0.
 2. Clear the IEBB0CLKE bit (to 0). (The operation clock stops.)

19.3.4 IEBB0 unit address register (IEBB0UAR)

The IEBB0UAR register is used to specify the unit address of the IEBus unit. This register must always be set before starting communication.

Access: This register can be read or written in 16-bit units.

Figure 19-6. Format of IEBB0 unit address register (IEBB0UAR)



Cautions The IEBB0UAR register can only be set up when the IEBB0BCR.IEBB0PW bit = 0. Do not set up the register when this bit = 1. If an attempt is made to set up the register when the IEBB0PW bit = 1, the value is ignored.

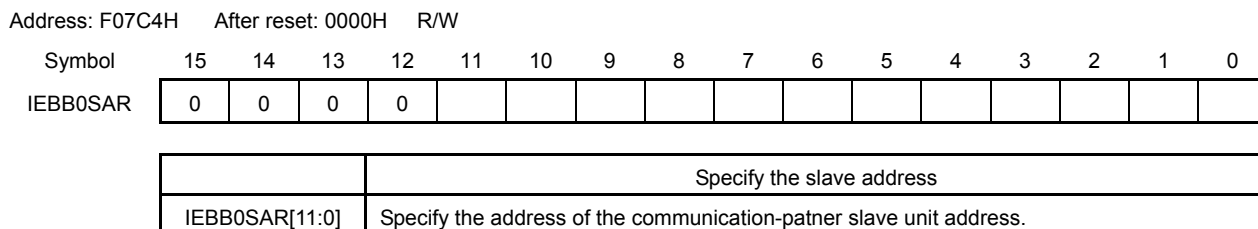
19.3.5 IEBB0 slave address register (IEBB0SAR)

The IEBB0SAR register is used to specify the address of the communication-partner slave unit during master communication.

During a master request, the value of this register is transmitted as the slave address field data.

Access: This register can be read or written in 16-bit units.

Figure 19-7. Format of IEBB0 slave address register (IEBB0SAR)



Cautions When the IEBB0SAR register is overwritten during communication (while the IEBB0BCR.IEBB0PW bit = 1), communication might not be correctly performed. Therefore, overwriting is prohibited from when a master request is issued until the communication or frame completion timing.

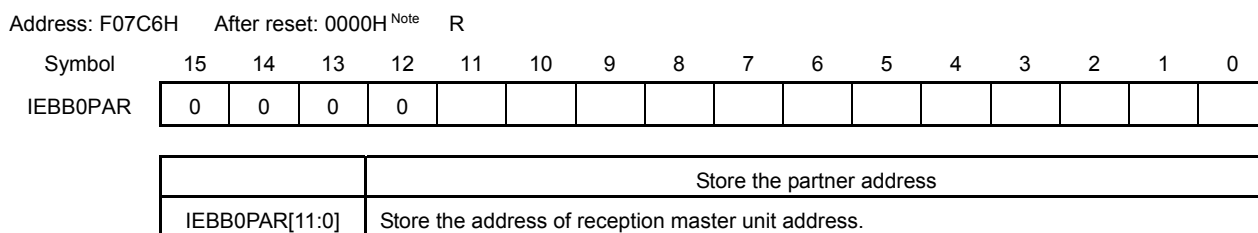
Note that overwriting is enabled at the following times:

- When the IEBB0PW bit = 0
- From when the IEBB0PW bit is set to 1 until the first master request (when the IEBB0MSRQ bit = 1)
- From the communication or frame completion timing (assuming the IEBB0PW bit = 1 and the IEBB0MSRQ bit = 0) until the next master request (when the IEBB0MSRQ bit = 1)

19.3.6 IEBB0 partner address register (IEBB0PAR)

The IEBB0PAR register is used to store the reception master address in the master address field. When operating the unit is enabled (when the IEBB0BCR.IEBB0PW bit = 1), the received master address is stored using the master address field regardless of whether the unit master is operating or the slave is operating. Upon completion of the parity period for the master address field, this is only performed if the parity value is normal and the unit is in the non-lock status. When there is a unit lock, because the address of the unit that requested the lock (the lock master) is retained, the IEBB0PAR register is not updated. Access: This register is read-only, in 16-bit units.

Figure 19-8. Format of IEBB0 partner address register (IEBB0PAR)



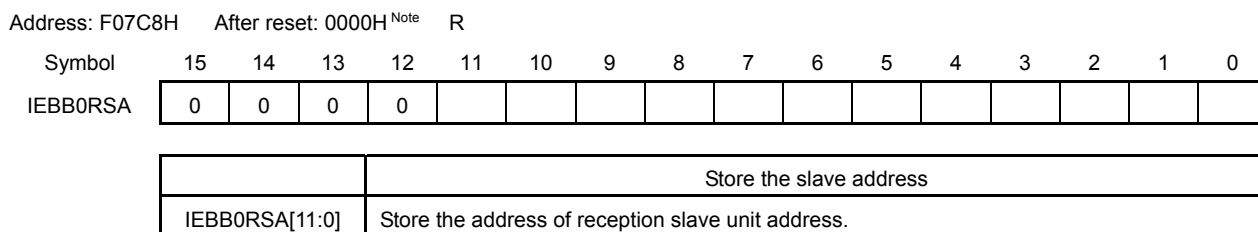
Note This register is reset when the IEBB0BCR.IEBB0PW bit is overwritten.

Cautions If an IEBus vector interrupt (status transmission request) is received from the master, when the received control data is the read request (5H) lock address (higher four bits), the value of the IEBB0PAR register is read by using software, and then the data in bits 15 to 8 of the IEBB0PAR register is written to the IEBB0DR register. In addition, if a lock address (lower 8 bits) read request (4H) is received, the value of the IEBB0PAR register is read by using software, and then the data in bits 7 to 0 of the IEBB0PAR register is written to the IEBB0DR register.

19.3.7 IEBB0 reception slave address register (IEBB0RSA)

The IEBB0RSA register is used to store the slave address value received using the slave address field. When operating the unit is enabled (when the IEBB0BCR.IEBB0PW bit = 1), the received slave address is stored using the slave address field regardless of whether the unit master is operating or the slave is operating. This is performed upon the completion of the slave address field parity period if the parity value is normal. Access: This register is read-only, in 16-bit units.

Figure 19-9. Format of IEBB0 reception slave address register (IEBB0RSA)



Note This register is reset when the IEBB0BCR.IEBB0PW bit is overwritten.

19.3.8 IEBB0 control data register (IEBB0CDR)

The IEBB0CDR register is used to specify the control bit transmitted using the control field.

After writing to the IEBB0CDR register, the IEBB0TCD register is written to.

After reading the IEBB0CDR register, the IEBB0RCD register value is read.

Access: This register can be read or written in 8-bit units.

Figure 19-10. Format of IEBB0 control data register (IEBB0CDR)

Address: F07CAH After reset: 00H R/W

Symbol	7	6	5	4	3	2	1	0
IEBB0CDR	0	0	0	0	IEBB0SLDC[3:0]			

	Control bit
IEBB0SLDC[3:0]	After writing to the IEBB0CDR register, the IEBB0TCD register is written to. After reading the IEBB0CDR register, the IEBB0RCD register value is read.

Caution When issuing a master request, be sure to set up the IEBB0CDR register before starting communication (when the IEBB0BCR.IEBB0MSRQ bit = 0)

Note The IEBB0CDR register consists of a write register and a read register. Therefore, data written to this register cannot be read as is. The data received during IEBus communication can be read.

19.3.9 IEBB0 message length register (IEBB0DLR)

The IEBB0DLR register is used to specify the message length data transmitted using the message length field.

After writing to the IEBB0DLR register, the IEBB0TDL register is written to.

After reading the IEBB0DLR register, the IEBB0RDL register value is read.

Access: This register can be read or written in 8-bit units.

Figure 19-11. Format of IEBB0 reception control data register (IEBB0RCD)

Address: F07CBH After reset: 01H^{Note} R/W

Symbol	7	6	5	4	3	2	1	0
IEBB0DLR								

	Message length bit
IEBB0RCD[7:0]	After writing to the IEBB0DLR register, the IEBB0TDL register is written to. After reading the IEBB0DLR register, the IEBB0RDL register value is read.

Note The read value is reset when the IEBB0BCR.IEBB0PW bit is overwritten.

Caution When issuing a master request, be sure to set up the IEBB0DLR register before starting communication (when the IEBB0BCR.IEBB0MSRQ bit = 0).

Note IEBB0DLR register consists of a write register and a read register. Therefore, data written to this register cannot be read as is. The data received during IEBus communication can be read.

19.3.10 IEBB0 transmission control data register (IEBB0TCD)

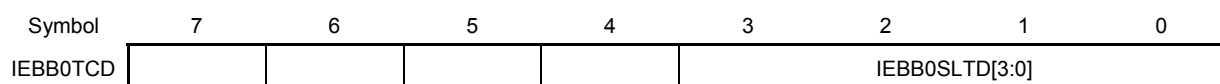
The IEBB0TCD register is used to specify the control bit transmitted using the control field.

The value of the lower 4 bits of the value written to the IEBB0TCD register is transmitted as control data by using the control field during master transmission.

Access: This register can be read or written in 8-bit units.

Figure 19-12. Format of IEBB0 transmission control data register (IEBB0TCD)

Address: F07CCH After reset: 00H R/W



IEBB0SLTD[3:0]				Specify the control bit transmitted by using the control field.
IEBB0SLTD3	IEBB0SLTD2	IEBB0SLTD1	IEBB0SLTD0	Function
0	0	0	0	Read slave status
0	0	0	1	Undefined
0	0	1	0	Undefined
0	0	1	1	Data reading and locking
0	1	0	0	Lock address reading (lower 8 bits)
0	1	0	1	Lock address reading (higher 4 bits)
0	1	1	0	Slave status reading and unlocking
0	1	1	1	Read data
1	0	0	0	Undefined
1	0	0	1	Undefined
1	0	1	0	Command writing and locking
1	0	1	1	Data writing and locking
1	1	0	0	Undefined
1	1	0	1	Undefined
1	1	1	0	Write command
1	1	1	1	Write data

- Cautions**
1. When issuing a master request, be sure to set up the IEBB0TCD register before starting communication (when the IEBB0BCR.IEBB0MSRQ bit = 0)
 2. Do not specify undefined values.
 3. During broadcast transmission, specifying slave transmission control data is prohibited.

19.3.11 IEBB0 reception control data register (IEBB0RCD)

The IEBB0RCD register is used to store the control bit received using the control field.

The data received by using the control field is read to the lower 4 bits of the IEBB0RCD register. Data is stored in the IEBB0RCD register upon completion of the control field parity period if the parity value is normal.

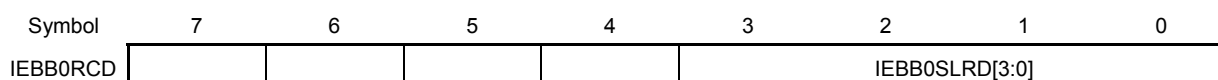
When an IEBus vector interrupt (status transmission request) is received from the master, the user performs each process (settings for the transmission data of the IEBB0SSR register or the IEBB0PAR register) according to the value of the lower 4 bits of the IEBB0RCD register read value.

Because it is necessary to judge whether the received data is a command or data, be sure to read the value of this register upon the completion of communication.

Access: This register is read-only, in 8-bit units.

Figure 19-13. Format of IEBB0 reception control data register (IEBB0RCD)

Address: F07CDH After reset: 00H^{Note} R/W



IEBB0SLRD[3:0]				Specify the control bit received by using the control field.
IEBB0SLRD3	IEBB0SLRD2	IEBB0SLRD1	IEBB0SLRD0	Function
0	0	0	0	Read slave status
0	0	0	1	Undefined
0	0	1	0	Undefined
0	0	1	1	Data reading and locking
0	1	0	0	Lock address reading (lower 8 bits)
0	1	0	1	Lock address reading (higher 4 bits)
0	1	1	0	Slave status reading and unlocking
0	1	1	1	Read data
1	0	0	0	Undefined
1	0	0	1	Undefined
1	0	1	0	Command writing and locking
1	0	1	1	Data writing and locking
1	1	0	0	Undefined
1	1	0	1	Undefined
1	1	1	0	Write command
1	1	1	1	Write data

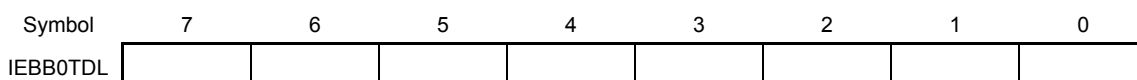
Note This register is reset when the IEBB0BCR.IEBB0PW bit is overwritten.

19.3.12 IEBB0 transmission message length register (IEBB0TDL)

The IEBB0TDL register is used to specify the message length data transmitted using the message length field. The value written to the IEBB0TDL register is transmitted as message length data by using the message length field if the unit is the transmission unit (master transmission, slave transmission). However, when an IEBus vector interrupt (Status transmission request) is received from the master, 0H is transmitted as the message length data regardless of the IEBB0TDL register setting. Access: This register can be read or written in 8-bit units.

Figure 19-14. Format of IEBB0 transmission message length register (IEBB0TDL)

Address: F07CEH After reset: 01H R/W



IEBB0TDL[7:0]								Setting	Number of remaining communication data bytes
7	6	5	4	3	2	1	0		
0	0	0	0	0	0	0	1	01H	1 byte
0	0	0	0	0	0	1	0	02H	2 bytes
...
0	0	0	1	0	1	0	0	20H	32 bytes
...
1	1	1	1	1	1	1	1	FFH	255 bytes
0	0	0	0	0	0	0	0	00H	256 bytes

- Cautions**
1. Be sure to set up the IEBB0TDL register before starting communication (when the IEBB0BCR.IEBB0MSRQ bit = 0)
 2. The maximum number of bytes that can be transferred per frame is determined according to the communication mode. For example, when transferring 48 bytes in mode 1, perform communication by dividing the data among multiple frames. In this case, when performing the second communication, use the IEBB0SCR register to check the number of data bytes transmitted during the first communication, subtract the number of bytes that were successfully transmitted from the number of bytes you want to transmit, and then specify the result for the IEBB0TDL register. Write the next data to the IEBB0DR register at the same time, and then issue a master request.

19.3.13 IEBB0 reception message length register (IEBB0RDL)

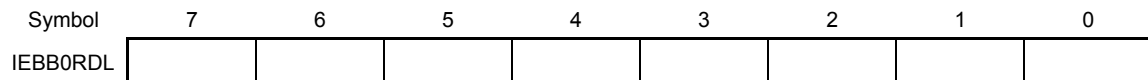
The IEBB0RDL register is used to specify the message length data received using the message length field.

The IEBB0RDL register read value is the data received using the message length field. Data is stored in the IEBB0RDL register upon completion of the message field parity period if the parity value is normal.

Access: This register is read-only, in 8-bit units.

Figure 19-15. Format of IEBB0 reception message length register (IEBB0RDL)

Address: F07CFH After reset: 01H^{Note} R



IEBB0RDL[7:0]								Setting	Number of remaining communication data bytes
7	6	5	4	3	2	1	0		
0	0	0	0	0	0	0	1	01H	1 byte
0	0	0	0	0	0	1	0	02H	2 bytes
...
0	0	0	1	0	1	0	0	20H	32 bytes
...
1	1	1	1	1	1	1	1	FFH	255 bytes
0	0	0	0	0	0	0	0	00H	256 bytes

Note This register is reset when the IEBB0BCR.IEBB0PW bit is overwritten.

19.3.14 IEBB0 clock selection register (IEBB0CKS)

The IEBB0CKS register is used to control the clock selection of the IEBus controller.

Access: This register can be read or written in 8-bit units.

Figure 19-16. Format of IEBB0 clock selection register (IEBB0CKS)

Address: F07D0H After reset: 07H R/W

Symbol	7	6	5	4	3	2	1	0
IEBB0CKS	0	0	0	0	0	IEBB0BRS[2:0]		

IEBB0BRS[2:0]			Specify the operation clock output (f_{MCK}). ^{Note}
IEBB0BRS2	IEBB0BRS1	IEBB0BRS0	
0	0	0	$f_{CLK}/1$
0	0	1	$f_{CLK}/1$
0	1	0	$f_{CLK}/2$
0	1	1	$f_{CLK}/3$
1	0	0	$f_{CLK}/4$
Other than above			Setting prohibited

Note The conditions under which the baud rate generator is initialized are as follows:

- When the IEBB0BRS2 to IEBB0BRS0 bits are overwritten
 - When the IEBB0BCR.IEBB0PW bit = 0 and the IEBB0PSR.IEBB0CLKE bit = 1
- f_{CLK} : CPU/peripheral hardware clock frequency

Table 19-9. Input clock specification example

f_{CLK}	IEBB0BRS2	IEBB0BRS1	IEBB0BRS0	Specified value
32 MHz	1	0	0	04H
24 MHz	0	1	1	03H
16 MHz	0	1	0	02H

- Cautions**
1. When the operation clock (f_{MCK}) of IEBus controller is 8 MHz, execution transfer rate of mode 1 is about 18 kbps.
 2. IEBB0CKS register can be set when IEBB0BCR.IEBB0PW = 0.

19.3.15 IEBB0 slave status register (IEBB0SSR)

The IEBB0SSR register indicates the communication status of the slave unit.
 When an IEBus vector interrupt (Status transmission request) interrupt is received from the master and the received control data is 0H or 6H, read the IEBB0SSR register value and write it to the IEBB0DR register by using software.
 In addition, when IEBus vector interrupt (Status transmission request) occurs, because 01H is automatically transmitted as the message length, the IEBB0TDL register does not have to be set up.
 Because bits 7 and 6 indicate the highest mode supported by the unit, they are fixed to 10 (which indicates mode 2).
 Access: This register is read-only, in 8-bit or 1-bit units.

Figure 19-17. Format of IEBB0 slave status register (IEBB0SSR)

Address: F07D1H After reset: 81H ^{Note} R

Symbol	7	6	5	4	3	2	1	0
IEBB0SSR	1	0	0	IEBB0SSLF	0	IEBB0STLF	IEBB0SRXF	IEBB0STXF

IEBB0SSLF	Slave transmission status flag
0	Slave transmission is stopped.
1	Slave transmission is enabled.

IEBB0STLF	Lock status flag
0	Unlocked
1	Locked

IEBB0SRXF	IEBB0DR register buffer reception status flag
0	Received data has not been stored in the IEBB0DR register.
1	Received data has been stored in the IEBB0DR register.

IEBB0STXF		IEBB0DR register buffer transmission status flag		
When communication is not being performed				
		1	The flag is always this value.	
Master	Transmission	0	The data specified for the IEBB0DR register has been transferred to the transmission shift register, and the next transmission data has not been written to the IEBB0DR register.	
		1	Transmission data remains in the IEBB0DR register. (This is the status up until the contents of the IEBB0DR register are transferred to the transmission shift register.)	
		Reception	1	The flag is always this value.
Slave	Transmission	0	The data specified for the IEBB0DR register has been transferred to the transmission shift register, and the next transmission data has not been written to the IEBB0DR register.	
		1	This is the status from when communication starts until the first transmission data is transferred from the IEBB0DR register to the transmission shift register. This is also the status after writing data to the IEBB0DR register until the data is transferred to the transmission shift register.	
		Reception	1	The flag is always this value.

Note The IEBB0SSLF and IEBB0STLF bits are reset by writing 0 to the IEBB0BCR.IEBB0PW bit. The IEBB0SRXF and IEBB0STXF bits are reset when the value of the IEBB0PW bit is overwritten with a different value.

- **IEBB0SSLF: Bit 4**

The value of the slave transmission enable flag (the IEBB0BCR.IEBB0STXE bit) is applied as is.

- **IEBB0STLF: Bit 2**

The value of the lock status flag (the IEBB0USR.IEBB0LCKF bit) is applied as is.

- **IEBB0SRXF: Bit 1**

Set/clear condition

Set: When received data is stored in the IEBB0DR register

Clear: When the IEBB0DR register contents are read

When the IEBB0SRXF bit is set (to 1), the IEBus data interrupt occurs.

When IEBus data interrupt occurs on data reception, the IEBB0DR register must be read before the next data is received. During broadcast communication, an overrun error occurs if the IEBus data interrupt register is not read regardless of whether IEBBTD has occurred. For details, see the description of the IEBB0OVRE bit in 19.3.2 (17), IEBB0 error status register (IEBB0ESR).

- **IEBB0STXF: Bit 0**

Set/clear condition

Set: Set conditions are shown below.

- When communication finishes
- When the IEBB0DR register is written to

Clear: When the contents of the IEBB0DR register are written to the transmission shift register

When the IEBB0STXF bit is cleared, the IEBus data interrupt occurs.

When IEBus data interrupt occurs on data transmission, the next transmission data must be written to the IEBB0DR register.

Regardless of whether IEBus data interrupt occurs, an underrun error occurs if IEBB0DR is not written to. For details, see the description of the IEBB0UNRE bit in 19.3.18 IEBB0 error status register (IEBB0ESR).

19.3.16 IEBB0 unit status register (IEBB0USR)

The IEBB0USR register indicates the unit status.

Access: This register is read-only, in 8-bit or 1-bit units.

Figure 19-18. Format of IEBB0 unit status register (IEBB0USR)

Address: F07D2H After reset: 00H^{Note} R

Symbol	7	6	5	4	3	2	1	0
IEBB0USR	0	IEBB0SRQF	IEBB0ARBF	IEBB0ALTF	IEBB0ACKF	IEBB0LCKF	0	0

IEBB0SRQF	Slave request flag for the unit
0	There are no slave requests.
1	There is a slave request.

IEBB0ARBF	Arbitration result flag
0	Arbitration loss did not occur.
1	Arbitration loss occurred.

IEBB0ALTF	Broadcast communication flag
0	Individual communication status
1	Broadcast communication status

IEBB0ACKF	Acknowledge transmission flag
0	A NACK signal is transmitted.
1	An $\overline{\text{ACK}}$ signal is transmitted.

IEBB0LCKF	Lock status flag
0	Unlocked
1	Locked

Note This register is reset when the value of the IEBB0PW bit is overwritten with a different value.

• **IEBB0SRQF: Bit 6**

Set/clear condition

Set: When the unit is requested as a slave (if the condition in Table 19-9, Slave request conditions (conditions for setting the IEBB0SRQF bit) is satisfied), this flag is set (to 1) by hardware when the parity bit communication of the slave address field ends^{Note}.

Clear: This flag is cleared (to 0) by hardware when the unit is not requested as a slave (if the condition in Table 19-10, Slave request conditions (conditions for setting the IEBB0SRQF bit) is not satisfied). The timing^{Note} is the same as that for setting the flag.

Note The bit is updated when the communication of the slave address field parity bit finishes without an IEBus vector interrupt (communication error) such as a parity error occurring. For example, if the slave address reception parity is incorrect, the IEBB0SRQF bit is not updated and the previous value is retained.

Table 19-10. Slave request conditions (conditions for setting the IEBB0SRQF bit)

Status of unit	Received master address	Communication mode	Received slave address
Unlocked	don't care	Individual communication	IEBB0UAR match
		Broadcast communication	Group matching
			FFFH match
Locked	Locked master matching	Individual communication	IEBB0UAR match
		Broadcast communication	Group matching
			FFFH match

Note IEBB0UAR match: When the reception slave address and unit IEBB0UAR register match.

Group match: When the reception-slave-address group address and unit IEBB0UAR-register group address match

FFFH match: When the reception slave address is FFFH.

Caution If a unit other than the locked master communicates with the unit while the unit is locked, the IEBB0SRQF bit is not set but the $\overline{\text{ACK}}$ signal is returned to the slave address field. This is because communication must be continued, even for communication of a unit other than the locked master, if the control data received using the control field is a slave status transmission request.

• **IEBB0ARBF: Bit 5**

Set/clear condition

Set: When the data output by the unit does not match the received data during the arbitration period

Clear: After each communication frame start bit is transmitted or received.

The IEBB0ARBF bit is set (to 1) if there is inter-unit-data contention during the arbitration period (the broadcast field and master address field period) and the unit loses arbitration.

Arbitration loss is judged to have occurred when the unit output data does not match the received data.

Because the IEBus controller uses AND logic, the unit that outputs 0 wins arbitration.

In other words, among units that output broadcast data (0) for the broadcast field, the unit that has the smallest master address wins arbitration.

• **IEBB0ALTF: Bit 4**

Flag indicating whether the unit is performing broadcast communication. The contents of the flag are updated in the broadcast field of each frame.

Set/clear condition

Set: When “broadcast” is received by the broadcast field

Clear: When individual is received by the broadcast field

Caution The broadcast flag is updated regardless of whether IEBus is the communication target.

• **IEBB0ACKF: Bit 3**

This flag indicates whether the $\overline{\text{ACK}}$ signal was transmitted during the acknowledge bit period of the acknowledge bit field when IEBus is the receiving unit.

Set/clear condition

Set: When $\overline{\text{ACK}}$ is transmitted upon the completion of the acknowledge bit period for each field

Clear: When NACK is transmitted upon the completion of the acknowledge bit period for each field

- Cautions**
1. If an IEBus vector interrupt (Communication error) occurs and the unit returns to the initial status, no update is performed at the end of the acknowledge bit period for the corresponding field. For example, if the reception parity for the control field is incorrect, because IEBB0 changes to the initial status (the communication standby status) after parity reception due to the parity error, a NACK signal is returned by using the control field (more accurately, no $\overline{\text{ACK}}$ signal is returned), but this is not applied to the IEBB0ACKF bit, and the previous value is retained.
 2. Because the occurrence timing for the IEBus vector interrupt (Start request) and IEBus vector interrupt (Status transmission request) is when parity bit reception ends, the reading of the IEBB0USR register by the previously described interrupt in the slave mode during interrupt handler processing might overlap with the changing of the IEBB0ACKF bit.

• **IEBB0LCKF: Bit 2**

A flag that indicates whether the unit is locked.

Set/clear condition

Set: When an individual communication frame ends, lock-related data (3H, 6H, AH, and BH) is received by using the control field, the communication completion flag (the IEBB0ISR.IEBB0ETRF bit) is cleared (to 0), and the frame completion flag (the IEBB0ISR.IEBB0EFMF bit) is set (to 1).

Clear: When an individual communication frame ends, lock-related data (3H, 6H, AH, and BH) is received by using the control field, and the communication completion flag (the IEBB0ISR.IEBB0ETRF bit) is set (to 1)

- Cautions**
1. Locking and unlocking are performed only during individual communication, not during broadcast communication.
 2. While the master is locked, communication from a unit other than the master is not generally acknowledged. However, as an exception, if the control data (0H, 4H, or 5H) of a slave status transmission request is received, the communication is acknowledged even if it is not from the locked master. Note that, at this time, only a IEBus vector interrupt (Status transmission request) occurs, not a IEBus vector interrupt (Start request) or IEBus vector interrupt (Communication end).

19.3.17 IEBB0 interrupt status register (IEBB0ISR)

The IEBB0ISR status register indicates the interrupt source when an IEBus vector interrupt occurs. Each time the IEBus vector interrupt occur, the IEBB0ISR register is read, and the specified interrupt servicing is performed.

Access: Only bit 6 can be read or written in 8 or 1-bit units.

Bits other than 6 are read-only, in 8 or 1-bit units.

Figure 19-19. Format of IEBB0 interrupt status register (IEBB0ISR)

Address: F07D3H After reset: 00H ^{Note1} R ^{Note2}

Symbol	7	6	5	4	3	2	1	0
IEBB0ISR	0	IEBB0IEBE	IEBB0STRF	IEBB0STSF	IEBB0ETRF	IEBB0EFMF	0	0

IEBB0IEBE	Communication error flag
0	No communication error has occurred.
1	A communication error has occurred.

IEBB0STRF	Start request flag
0	No start request has occurred.
1	A start request has occurred.

IEBB0STSF	Status transmission request flag
0	Tere is no status transmission request.
1	There is a status transmission request.

IEBB0ETRF	Communication completion flag
0	Communication of the number of transmission bytes specified by the length field has not finished.
1	Communication of the number of transmission bytes specified by the length field has finished.

IEBB0EFMF	Frame completion flag
0	The frame (communication of the maximum number of transmission bytes ^{Note3}) has not finished.
1	The frame (communication of the maximum number of transmission bytes ^{Note3}) has finished.

- Note**
1. The IEBB0IEBE bit is reset when 0 is written to the IEBB0BCR.IEBB0PW bit.
 2. Only the IEBB0IEBE bit can be written. Note that, when writing to the IEBB0IEBE bit, the bit can only be cleared (to 0).1Even if 1 is written, the IEBB0IEBE bit is not set (to 1).
 3. Mode 1: 32 bits, mode 2: 128 bits

- **IEBB0IEBE: Bit 6**

A flag that indicates a communication error has occurred.

When a communication error occurs, IEBus vector interrupt (Communication error occurs). It is possible to determine what caused the error by reading the IEBB0ESR register.

Set/clear condition

Set: When a timing error, parity error (except in the data field during individual reception), NACK reception error, underrun error, or overrun error (during broadcast reception) occurs

Clear: By software (The flag is cleared (to 0) when 0 is written to the IEBB0IEBE bit.)

- **IEBB0STRF: Bit 5**

A flag that indicates the start request.

IEBus data interrupt (Reception data read request) occurs when a start request occurs.

Set/clear condition

Set: The flag is set (to 1) during master unit operation, regardless of whether arbitration is won or lost.

The flag is set (to 1) during slave unit operation if there is a slave request (when the IEBB0USR.IEBB0SRQF bit = 1) from the master (only the locked master when the unit is locked).

The flag is set upon the completion of the slave address field parity period in all cases.

Clear: If the unit is the communication target (during communication with the master unit or slave unit), the flag is cleared (to 0) by hardware when an IEBus vector interrupt (Status transmission request), IEBus vector interrupt (Communication end), IEBus vector interrupt (Frame end), IEBus data interrupt (Transmission data read request), IEBus data interrupt (Reception data read request), or IEBus vector interrupt (Communication error).

- Cautions**
1. When an IEBus vector interrupt (Start request) occurs, read the IEBB0USR register to check the slave request flag (IEBB0SRQF) and arbitration result flag (IEBB0ARBF) for the unit.
 2. If the arbitration result flag (IEBB0SRQF) is set (to 1) when an IEBus vector interrupt (Start request) occurs after the unit issues a master request, perform software processing to reissue the master request.

- **IEBB0STSF: Bit 4**

This flag indicates that the master requested transmission of the slave status and lock address (higher 4 bits and lower 8 bits) when the controller was serving as a slave.

Set/clear condition

Set: When the unit is not locked, there is a slave request from any master, and 0H or 6H is received by using the control field. When the unit is locked, there is a slave request from the locked master, and 0H, 4H, 5H, or 6H is received by using the control field, or when 0H, 4H, or 5H is received from a unit other than the locked master by using the control field. The flag is set upon the completion of the control field parity period in all cases. For details, see Table 19-11, Conditions for setting the status transmission request flag (slave).

Clear: If the unit is the communication target (during communication with the master unit or slave unit), the flag is cleared (to 0) by hardware when an IEBus vector interrupt (Start request), IEBus vector interrupt (Communication end), IEBus vector interrupt (Frame end), IEBus data interrupt (Transmission data read request), or IEBus data interrupt (Reception data read request). IEBus vector interrupt (Status transmission request) occur when there is a status transmission request.

Caution Even if the slave transmission enable flag (the IEBB0BCR.IEBB0STXE bit) is set to the prohibited value (0), the IEBB0STSF bit is set (to 1).

Table 19-11. Conditions for setting the status transmission request flag (slave)

Various statuses					Value received using the control field				
equa	lockf	eqpa	IEBB0STXE	IEBB0SRXE	0H	3H, 7H	4H, 5H	6H	AH, BH, EH, FH
1	0	0	Any	Any	Set	Not set	Not set	Set	Not set
1	0	1	Any	Any	Set	Not set	Not set	Set	Not set
1	1	0	Any	Any	Set	Not set	Set	Not set	Not set
1	1	1	Any	Any	Set	Not set	Set	Set	Not set

Note equa: Unit match (during individual communication, IEBB0UAR register match, during broadcast communication: group match, FFF match)
 lockf: Whether there is a lock
 eqpa: Lock master match
 IEBB0STXE: Slave transmission enable flag (IEBB0BCR register bit 4)
 IEBB0SRXE: Slave reception enable flag (IEBB0BCR register bit 3)

If an IEBus vector interrupt (Status transmission request) occurs in the single mode, read the IEBB0CDR register to check the received control data contents, and then write the required slave status information to the IEBB0DR register. The received control data and data written to the IEBB0DR register are shown below.

Table 19-12. Slave request conditions (conditions for setting the IEBB0SRQF bit)

Received control data	Function	Data written to the IEBB0DR register
0H, 6H	Slave status transmission	Value read from the IEBB0SSR register
4H	Transmission of the lower 8 bits of the lock address	Lower 8 bits of the IEBB0PAR register
5H	Transmission of the higher 8 bits of the lock address	Higher 8 bits of the IEBB0PAR register

Caution After an IEBus vector interrupt (status transmission request) occurs, be sure to write the appropriate data to the IEBB0DR register before the completion of the message length field. If writing is not in time, do not transmit IEBB0DR register data and cause an underrun error.

• **IEBB0ETRF: Bit 3**

A flag that indicates whether communication ends after the number of bytes set in the message length field have been transferred.

Set/clear condition

Set: When the unit is the communication target (during communication with the master unit or slave unit) and the value of the IEBB0SCR register becomes 0 at the end of the data field acknowledge period.

Clear: The flag is cleared (to 0) by hardware when an IEBus vector interrupt (Start request), IEBus vector interrupt (Status transmission request), IEBus vector interrupt (Frame end with no IEBus vector interrupt (Communication end), IEBus data interrupt (Transmission data write request), or IEBus data interrupt (Reception data read request) occurs.

If the communication completion flag is set to 1, an IEBus based on the occurrence of the IEBus vector interrupt.

• IEBB0EFMF: Bit 2

This flag indicates whether communication ends after the maximum number of bytes (mode 1: 32 bytes, mode 2: 128 bytes) have been transferred.

Set/clear condition

Set: When the unit is the communication target (during communication with the master unit or slave unit) and the value of the IEBB0CCR register becomes 0 at the end of the data field acknowledge period.

Clear: The flag is cleared (to 0) by hardware when a start interrupt, IEBus vector interrupt (Start request), IEBus vector interrupt (Status transmission request), IEBus vector interrupt (Communication end) (When IEBus vector interrupt (Communication end) is not occur), IEBus data interrupt (Transmission data read request), or IEBus data interrupt (Reception data read request).

IEBus vector interrupt (Frame end) occur when the frame completion flag is set (to1).

- Cautions**
1. If the IEBB0SCR and IEBB0CCR registers are both cleared to 00H at the end of the data field acknowledge period, the IEBB0ETRF and IEBB0EFMF bits are set (to 1) at the same time.
 2. If the last data field is a NACK signal when the maximum number of bytes that can be transmitted is reached during retransmission, the IEBB0EFMF and IEBB0IEBE bits (NACK reception error) are set (to 1) at the same time.

19.3.18 IEBB0 error status register (IEBB0ESR)

The IEBB0ESR register is used to indicate the cause when an IEBus controller IEBus vector interrupt (Communication error) occurs. Each bit of the IEBB0ESR register is set (to 1) as soon as the communication error flag of the IEBB0ISR register (IEBB0IEBE) is set (to 1). The cause of a communication error, if any, can be identified by checking the contents of the IEBB0ESR register. (If the IEBB0ISR.IEBB0IEBE bit is already set to 1, only the bits of the IEBB0ESR register are set (to 1).)

When 1 is written to the IEBB0STC0 register, if there is contention with the hardware trying to specify (1), the hardware is prioritized.

Access: This register is read-only, in 8-bit or 1-bit units.

Figure 19-20. Format of IEBB0 error status register (IEBB0ESR)

Address: F07D4H After reset: 00H^{Note} R

Symbol	7	6	5	4	3	2	1	0
IEBB0ESR	IEBB0TIME	IEBB0PARE	IEBB0NACE	IEBB0UNRE	IEBB0OVRE	0	0	IEBB0TRDE

IEBB0TIME	Timing error occurrence flag
0	No timing error has occurred.
1	A timing error has occurred.

IEBB0PARE	Parity error occurrence flag
0	No parity error has occurred.
1	A parity error has occurred.

IEBB0NACE	NACK reception error flag
0	No NACK reception error has occurred.
1	A NACK reception error has occurred.

IEBB0UNRE	Underrun error occurrence flag
0	No underrun error has occurred.
1	An underrun error has occurred.

IEBB0OVRE	Overrun error occurrence flag
0	No overrun error has occurred.
1	An overrun error has occurred.

IEBB0TRDE	Inter-third-party communication error occurrence flag
0	An error occurred during communication targeting the unit.
1	An error occurred during inter-third-party communication.

Note This register is reset when the value of the IEBB0BCR.IEBB0PW bit is overwritten with a different value.

Caution When a communication error occurs, IEBB0 returns to the initial status and prepares for the next communication. Regardless of whether an error occurs, if the next communication is started without handling errors, any error flags that have been set remain set. (If the system returns to the initial status due to a timing error, and a parity error is received during the next communication, both the timing error and parity error bits of the IEBB0ESR register are set to 1.) Therefore, handle any errors that occur before the next communication starts.

• **IEBB0TIME: Bit 7**

A flag that indicates a communication error has occurred.

Set condition

Set: This flag is set (to 1) if a timing error occurs.

A timing error occurs if the high-/low-level width of the communication bit is not the defined value.

The defined value of the high- and low-level width is set to the bit processing block and monitored by the internal timer.

• **IEBB0PARE: Bit 6**

Set condition

Set: This flag is set (to 1) if a parity error occurs.

When the unit is the reception unit (including while communication between others is being monitored), a parity error occurs when the parity data generated by the data received using the master address field, slave address field, control field, or message length field does not match the received parity data.

However, when there is a data field mismatch, a NACK signal is returned and a data retransmission request is issued during individual communication, but a parity error occurs during broadcast communication.

Note During the above parity period, if the parity data received on the transmission side is inverted for some reason, a timing error occurs and communication ends.

Table 19-13. Operation when the parity data does not match

Field	Communication mode	Operation when the parity data does not match
Master address field	Individual/broadcast	A parity error occurs.
Slave address field	Individual/broadcast	A parity error occurs.
Control field	Individual/broadcast	A parity error occurs.
Message length field	Individual/broadcast	A parity error occurs.
Data field	Individual	A NACK signal is returned to request retransmission.
	Broadcast	A parity error occurs.

• **IEBB0NACE: Bit 5**

Set condition

Set: This flag is set (to 1) if a NACK reception error occurs.

A NACK reception error occurs if a NACK signal is received during the acknowledge bit period of the slave address field, control field, or message length field during individual communication, regardless of whether the controller is operating as the master or slave.

When a NACK signal is received for the data field, no NACK reception error generally occurs because this reception signals a data retransmission request. However, if the last data field is a NACK signal, a NACK reception error does occur. During reception, a NACK reception error is judged to have occurred if an output NACK signal is received for the last data of the slave address field, control field, message length field, or data field.

Note that, during broadcast communication, no NACK reception errors occur because $\overline{\text{ACK}}/\text{NACK}$ signal judgment is not performed.

No NACK reception errors occur during inter-third-party communication because only timing/parity errors are detected as errors. However, for the slave address field, NACK reception error judgment is performed because communication is participated in as a slave.

Table 19-14. Operation when the parity data does not match

Communication mode		Slave address field	Control field	Message length field	Data field (last)
Individual	Master transmission	Occurs	Occurs	Occurs	Occurs
	Master reception	Occurs	Occurs	Occurs	Occurs
	Slave transmission	Occurs	Occurs	Occurs	Occurs
	Slave reception	Occurs	Occurs	Occurs	Occurs
	Inter-third-party communication	Occurs	Does not occur	Does not occur	Does not occur
Broadcast	All	Does not occur	Does not occur	Does not occur	Does not occur

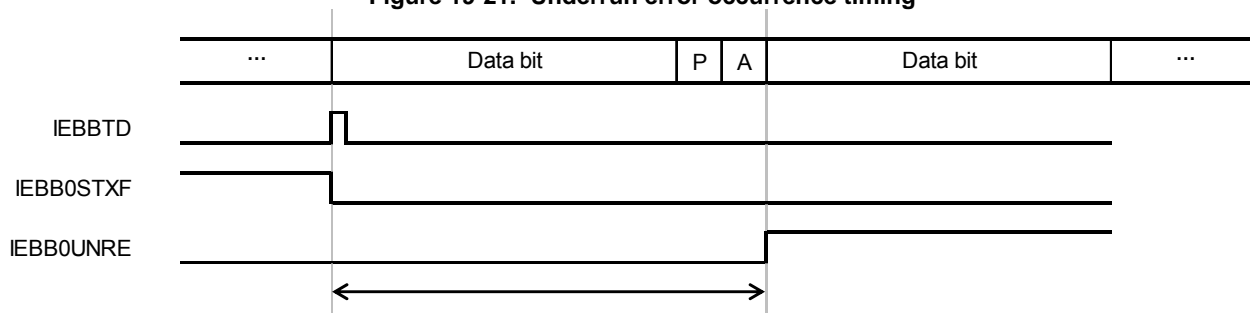
• **IEBB0UNRE: Bit 4**

Set condition

Set: During data transmission using the data field, an underrun error occurs if writing the next data to be transmitted to the IEBB0DR register does not finish before the end of the data-field acknowledge bit period following the occurrence of IEBus data interrupt, and this flag is set (to 1). However, if the NACK signal is received during the acknowledge bit period, no underrun error occurs because retransmission is performed.

During inter-third-party communication, underrun errors do not occur because only timing/parity errors are detected as errors.

Figure 19-21. Underrun error occurrence timing



An underrun error occurs if IEBB0DR register is not written during the period of data transmission after IEBus data interrupt occurs.

IEBBTD: IEBus data interrupt (for transmission data write processing)

IEBB0STXF: Bit of IEBB0SSR register (IEBB0DR register buffer transmission status flag)

IEBB0UNRE: Bit of IEBB0ESR register (under-run error flag)

P: Parity bit, A: Acknowledge bit

• IEBB0OVRE: Bit 3

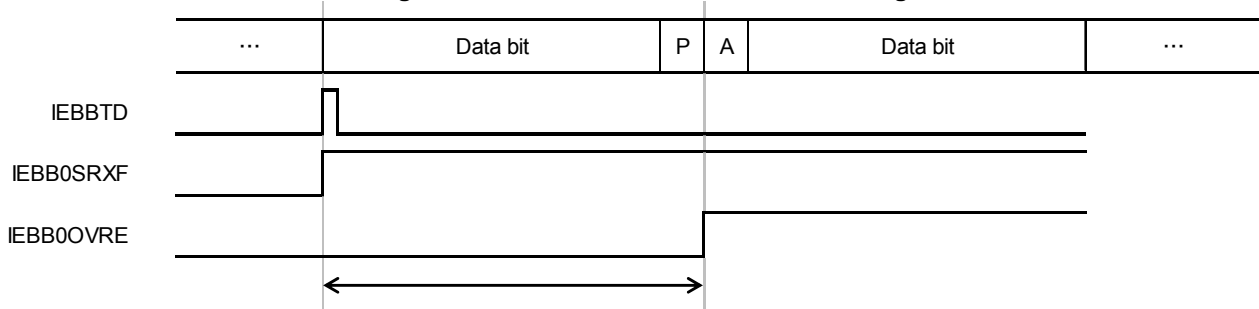
Set condition

Set: When the data field is used to receive data during broadcast communication, an overrun error occurs if reading the IEBB0DR register does not finish between when IEBus data interrupt occurs and when the parity period of the data field finishes, and this flag is set (to 1).

During individual communication, data retransmission is requested by returning a NACK signal without an error, and returning the NACK signal continues until the IEBB0DR register is read. (However, the frame ends when the maximum number of bytes that can be transferred is reached.)

During inter-third-party communication, overrun errors do not occur because only timing/parity errors are detected as errors.

Figure 19-22. Overrun error occurrence timing



An overrun error occurs if reading the IEBB0DR register does not finish during the period of data reception after IEBus data interrupt occurs.

IEBBTD: IEBus data interrupt (for reception data read processing)

IEBB0SRXF: Bit of IEBB0SSR register (IEBB0DR register buffer reception status flag)

IEBB0OVRE: Bit of IEBB0ESR register (Overrun error occurrence flag)

P: Parity bit, A: Acknowledge bit

• IEBB0TRDE: Bit 0

Set condition

Set: If an inter-third-party communication error occurs at the same time as a timing error or parity error that occurs during communication that is not related to the unit (inter-third-party communication), this flag is set (to 1) at the same time as the IEBB0TIME or IEBB0PARE bit.

Caution If an error occurs before the inter-third-party communication starts even when the slave address field does not match that of the unit (for example, if the NACK signal is received when the received address does not match that of the unit in the slave address field (if the IEBB0NACE bit is set (to 1))), the IEBB0TRDE bit is not set (to 1).

Note Communication between third parties may take place in the following two cases.

- (1) If the address received in the slave address field does not match that of the unit (during individual communication: matching with the IEBB0UAR register, during broadcast communication: matching with the group or FFFH) and communication continues after the $\overline{\text{ACK}}$ signal has been received, the unit monitors that communication.
- (2) If the unit cannot respond to the received control data in the control field during broadcast communication and if communication continues, the unit monitors that communication. For example, this happens when the unit receives the control data FH from the master during broadcast communication but the slave reception enable flag of the unit is disabled (IEBB0BCR.IEBB0SRXE bit = 0). (During individual communication, the NACK signal is returned and communication ends.)

19.3.19 IEBB0 field status register (IEBB0FSR)

The IEBB0FSR register is used to store the field status state of the IEBus controller when various interrupts (IEBus data interrupt, and IEBus vector interrupt) occur.

Access: This register is read-only, in 8-bit units.

Figure 19-23. Format of IEBB0 field status register (IEBB0FSR)

Address: F07D5H After reset: 00H^{Note} R

Symbol	7	6	5	4	3	2	1	0
IEBB0FSR	0	0	0	0	0	0	IEBB0SSFS[1:0]	

	Field status flag
IEBB0SSFS[1:0]	For details about the IEBB0SSFS[1:0] bits, see Table 19-15, Field status.

Note The IEBB0SSFS[1:0] bits are reset when the value of the IEBB0BCR.IEBB0PW bit is overwritten with a different value.

Table 19-15. Field status

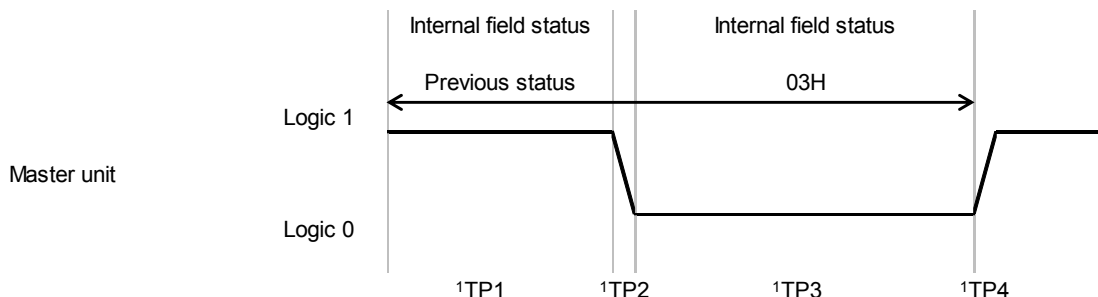
Field status	Description		
	Master/slave	Field	Transmission/reception
Slave reception status IEBB0SSFS[1:0] = 00B	Slave operation	Start bit	Reception
		Master address field	
		Slave address field	
		Control field	
		Message length field	
Slave transmission status IEBB0SSFS[1:0] = 01B	Slave operation	Message length field	Transmission
		Data field	
Master reception status IEBB0SSFS[1:0] = 10B	Master operation	Message length field	Reception
		Data field	
Master transmission status IEBB0SSFS[1:0]=11B	Master operation	Start bit	Transmission
		Master address field	
		Slave address field	
		Control field	
		Message length field	
		Data field	

- Cautions**
1. If a different interrupt occurs before the IEBB0FSR register is read, the status information used at the time of the previous interrupt is overwritten with the status information used at the time of the new interrupt.
 2. If an interrupt occurs during communication between third parties (during the reception of communication between other units), the IEBB0SSFS[1:0] bits are cleared to 00B. However, because the only interrupts that occur during communication between third parties are interrupts caused by error, an inter-third-party communication error can be judge to have occurred by reading the inter-third-party communication error occurrence flag (the IEBB0TRDE bit) of the IEBB0ESR register.
 3. Even if the field status signal (an internal signal) changes, the IEBB0SSFS[1:0] bits retain their previous values until an interrupt occurs.

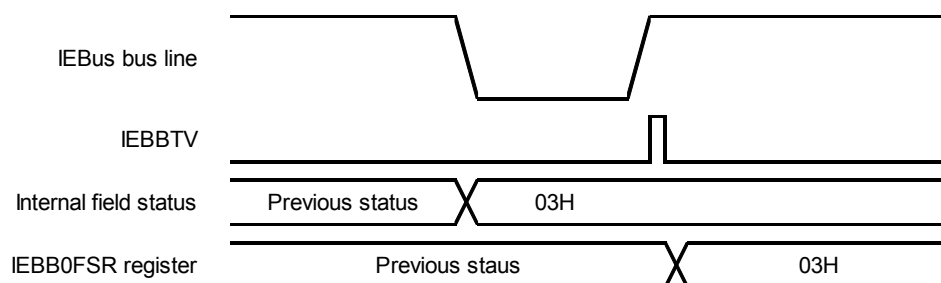
• **IEBB0SSF[1:0] bits**

These flags store the state of the IEBus controller field status when various interrupts (IEBus data interrupt, and IEBus vector interrupt) occur.

Figure 19-24. Start bit field status for the master (internal signal)



Example: If a timing error occurred during the ¹TP3 period



- Remark
- ¹TP1: Reference signal output period
 - ¹TP2: Synchronization signal output period
 - ¹TP3: Start bit output period
 - ¹TP4: Stop signal output period
 - IEBBTV: IEBus vector interrupt (Communication error)

When the start bit shown in Figure 19-24, Start bit field status for the master (internal signal) is output for the master, the previous field status value is retained until ¹TP1. At point ¹TP2 and after, the field status value is 03H. If a timing error occurs at point ¹TP3 and IEBBTV is output, 03H is stored in the IEBB0FSR register. Because IEBBTV does not occur if communication is performed normally, the field status value is not stored in the IEBB0FSR register, and the IEBB0FSR register retains the previous value at and after point ¹TP2.

19.3.20 IEBB0 success count register (IEBB0SCR)

The IEBB0SCR register indicates the number of remaining communication bytes.

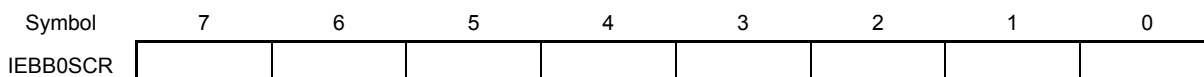
The value specified by the IEBB0DLR register is stored in the IEBB0SCR register after the message length field processing finishes, and the count value of the counter to be decremented according to the data field ACK signal is read. In other words, because the number of successfully communicated bytes is subtracted from the number of data bytes to be communicated, the IEBB0SCR register indicates the remaining number of bytes to be communicated.

Note that the communication completion flag (the IEBB0ISR.IEBB0ETRF bit) is set to 1 when the count value reaches 00H.

Access: This register is read-only, in 8-bit units.

Figure 19-25. Format of IEBB0 success count register (IEBB0SCR)

Address: F07D6H After reset: 01H^{Note} R



Bit								Setting	Number of remaining communication data bytes.
7	6	5	4	3	2	1	0		
0	0	0	0	0	0	0	1	01H	1 byte
0	0	0	0	0	0	1	0	02H	2 bytes
...
0	0	1	0	0	0	0	0	20H	32 bytes
...
1	1	1	1	1	1	1	1	FFH	255 bytes
0	0	0	0	0	0	0	0	00H	0 byte (communication completion) or 256 bytes

Note This register is reset when the value of the IEBB0BCR.IEBB0PW bit is overwritten with a different value.

Caution When 00H is read from the IEBB0SCR register, it is not possible to judge whether the remaining number of communication data bytes is 0 (indicating communication completion) or 256. Therefore, the communication completion flag (the IEBB0ISR.IEBB0ETRF bit) can be used with this register to make this judgment.

19.3.21 IEBB0 communication count register (IEBB0CCR)

The IEBB0CCR register indicates the number of bytes remaining from the communication byte number specified by the communication mode.

This register indicates the number of transfer bytes.

The maximum number of transmitted bytes per frame defined in each mode (mode 1: 32 bytes, mode 2: 128 bytes) is preset to this register. The count value of the counter that is decremented during the acknowledge bit period of the data field regardless of the $\overline{ACK}/NACK$ signal is read from this register. In contrast with the IEBB0SCR register, which is decremented when there is normal communication (the \overline{ACK} signal), the IEBB0CCR register is decremented when one byte is communicated, regardless of the $\overline{ACK}/NACK$ signal. Note that the frame completion flag (the IEBB0ISR.IEBB0EFMF bit) is set (to 1) when the counter reaches 00H.

The preset value of the maximum number of transmitted bytes per frame is 20H (32 bytes) in mode 1 and 80H (128 bytes) in mode 2.

Access: This register is read-only, in 8-bit units.

Figure 19-26. Format of IEBB0 communication count register (IEBB0CCR)

Address: F07D7H After reset: 20H^{Note} R

Symbol	7	6	5	4	3	2	1	0
IEBB0CCR								
	IEBB0 communication count register							
IEBB0CCR	The IEBB0CCR register indicates the number of bytes remaining from the communication byte number.							

Note This register is reset when the value of the IEBB0BCR.IEBB0PW bit is overwritten with a different value.

Caution The value of the IEBB0CCR register is not updated by writing to the IEBB0PSR.IEBB0CMD bit.

19.3.22 IEBB0 status clear register 0 (IEBB0STC0)

The IEBB0STC0 register is used to clear the IEBB0ESR register.

Access: This register is write-only, in 1-bit units.

Figure 19-27. Format of IEBB0 status clear register 0 (IEBB0STC0)

Address: F07D8H After reset: 00H W

Symbol	7	6	5	4	3	2	1	0
IEBB0STC0	IEBB0CLTM	IEBB0CLPA	IEBB0CLNC	IEBB0CLUR	IEBB0CLOV	0	0	IEBB0CLTR

IEBB0CLTM	Clear the timing error flag (The IEBB0ESR.IEBB0TIME bit)
0	No operation
1	Clear the IEBB0TIME bit.

IEBB0CLPA	Clear the parity error flag (The IEBB0ESR.IEBB0PARE bit)
0	No operation
1	Clear the IEBB0PARE bit.

IEBB0CLNC	Clear the NACK reception error flag (The IEBB0ESR.IEBB0NACE bit)
0	No operation
1	Clear the IEBB0NACE bit.

IEBB0CLUR	Clear the underrun error flag (The IEBB0ESR.IEBB0UNRE bit)
0	No operation
1	Clear the IEBB0UNRE bit.

IEBB0CLOV	Clear the overrun error flag (The IEBB0ESR.IEBB0OVRE bit)
0	No operation
1	Clear the IEBB0OVRE bit.

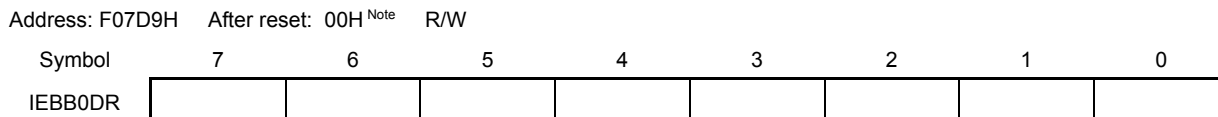
IEBB0CLTR	Clear the inter-third-party communication error flag (The IEBB0ESR.IEBB0TRDE bit)
0	No operation
1	Clear the IEBB0TRDE bit.

Caution Each bit of the IEBB0STC0 register is valid only when writing 1. When the bit is read, 0 is always returned.

19.3.23 IEBB0 data register (IEBB0DR)

The IEBB0DR register is used to set up the communication data. Specify the communication data (8 bits) for bits 7 to 0.
 Access: This register can be read or written in 8-bit units.

Figure 19-28. Format of IEBB0 data register (IEBB0DR)



Note The read value is reset when the IEBB0BCR.IEBB0PW bit is overwritten.

IEBB0 data register (IEBB0DR)	
For the transmission unit	If the unit is the transmission unit (during master or slave transmission), the bits in the data field are transmitted as data bits starting with the highest bits when writing to the IEBB0DR register. Specify the first byte of transmission data before starting communication. During transmission, if IEBus data interrupt occurs, the next transmission data is written to the IEBB0DR register. If IEBus vector interrupt (Status transmission request) occurs, the status data is written to the IEBB0DR register according to the control data.
For the reception unit	The 1 byte of data received using the data field is read from the IEBB0DR register if the unit is the reception unit (master or slave reception). Storage is performed at the end of the data field parity period if the parity value is normal. During reception (master or slave reception), if an IEBus data interrupt occurs, received data is read from the IEBB0DR register.

Note The IEBB0DR register consists of a write register and a read register. Therefore, data written to this register cannot be read as is. The data received during IEBus communication can be read.

- Cautions**
1. **If writing to the IEBB0DR register is not in time for transmission, an underrun error occurs and communication ends.**
 2. **Write to the status data register IEBB0DR after IEBus vector interrupt (Status transmission request) occurs and before the end of the message length field.**
 3. **If the IEBB0DR register is not read before the next reception, the communication differs in the case of individual versus broadcast communication.**
 - **For individual communication, a NACK signal is returned for the field, and the master is requested to transmit the same data. Received data is not stored in the IEBB0DR register. If the NACK signal is returned again before the IEBB0DR register is read and the register has still not been read when the maximum number of transferable bytes is reached, IEBus vector interrupt (Frame end) and IEBus vector interrupt (Communication error by NACK receive error) occur at the same time.**
 - **During broadcast communication, an overrun error occurs and communication ends. Received data is not stored in the IEBB0DR register. The overrun error flag (IEBB0OVRE) is set (to 1).**

19.3.24 IEBB0 data polarity select register (IEBB0DPS)

The IEBB0DPS register is used to control polarity of input/output to/from IEBus controller.

Access: This register can be read or written in 8-bit or 1-bit units.

Figure 19-29. Format of IEBB0 data polarity select register (IEBB0DPS)

Address: F07DAH After reset: 00H R/W

Symbol	7	6	5	4	3	2	1	0
IEBB0DPS	0	0	0	0	0	0	0	IEBB0IOPOL
IEBB0IOPOL	Polarity select flag of input/output to/from IEBus controller							
0	$\overline{\text{IERXD}}$ and $\overline{\text{IETXD}}$ pins are negative logic to the polarity of IEBus protocol.							
1	$\overline{\text{IERXD}}$ and $\overline{\text{IETXD}}$ pins are positive logic to the polarity of IEBus protocol.							

Caution IEBB0DPS register can be set when IEBB0BCR.IEBB0PW bit = 0.

19.4 Interrupt Operations of IEBus Controller (IEBB)

19.4.1 Interrupt request signals

Various interrupts occur in response to the seven sources below.

The causes of interrupts are shown below.

Table 19-16. Causes of interrupts

Interrupt factor	Interrupt cause	Interrupt
Communication error	When the IEBB0ISR.IEBB0IEBE bit = 1. <ul style="list-style-type: none"> • Timing error (IEBB0TIME) • Parity error (IEBB0PARE) • NACK reception error (IEBB0NACE)^{Note1} • Underrun error (IEBB0UNRE) • Overrun error (IEBB0OVRE) 	IEBus vector interrupt
Start request	When the IEBB0ISR.IEBB0STRF bit = 1.	IEBus vector interrupt
Status transmission request	When the IEBB0ISR.IEBB0STSFB bit = 1.	IEBus vector interrupt
End of communication	When the IEBB0ISR.IEBB0ETRF bit = 1.	IEBus vector interrupt
End of frame	When the IEBB0ISR.IEBB0EFMF bit = 1. ^{Note1}	IEBus vector interrupt
Transmission data write request	When the IEBB0SSR.IEBB0STXF bit = 0. ^{Note2}	IEBus data interrupt
Reception data read request	When the IEBB0SSR.IEBB0SRXF bit = 1. ^{Note3}	IEBus data interrupt

Notes 1. If the frame data ends with a NACK signal, IEBus vector interrupt (Frame end) are triggered by setting the frame completion indicating bit IEBB0ISR.IEBB0EFMF (to 1).

At this time, the IEBus vector interrupt (Communication error) interrupt are triggered by a NACK reception error.

2. The cause of interrupt are different from master transmission in slave transmission.

During master transmission:

- IEBus data interrupt occurs after receiving the $\overline{\text{ACK}}$ signal, which follows message length field transmission. However, if the transfer size is one byte (the IEBB0TDL register = 01H), IEBus data interrupt does not occur.
- IEBus data interrupt occurs after receiving the $\overline{\text{ACK}}$ signal, which follows data field transmission. However, IEBus data interrupt does not occur before transmitting the final data, or after transmitting the final data and then receiving the $\overline{\text{ACK}}$ signal. More specifically, if the message length is five bytes, IEBus data interrupt does not occur after transmitting the 4th or 5th byte. In addition, when transmitting the maximum number (maximum number of transferrable bytes – 1) or byte number (maximum number of transferable bytes).

During slave transmission:

- IEBus data interrupt occurs after receiving the $\overline{\text{ACK}}$ signal, which follows message length field transmission. However, if the transfer size is one byte or the received control bit is a status transmission request (0H, 4H, 5H or 6H), IEBus data interrupt does not occur (and the IEBus vector interrupt (Status transmission request) occurs instead).
 - After data field transmission, the operation is the same as for 2 under during master transmission.
3. The reception data read request occurs after receiving the parity bit by using the data field. However, if the self-transmitted parity bit differs from the received parity bit, there is a timing error and no interrupt occurs.

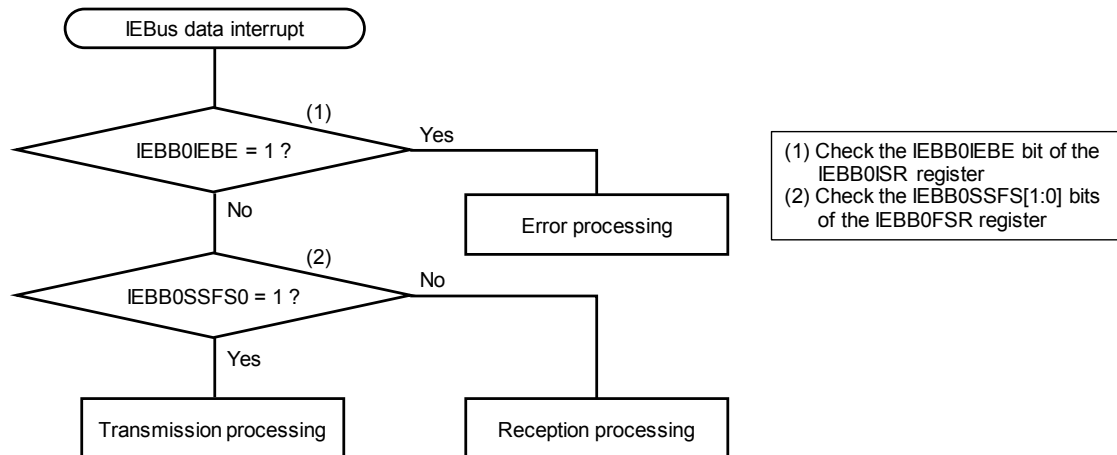
19.4.2 Interrupt judgment examples

Interrupt judgment examples for the single mode are shown below.

(1) When using IEBus data interrupt

IEBB0 transmission/reception must be checked by issuing an IEBus data interrupt.

Figure 19-30. IEBus data interrupt interrupt judgment example

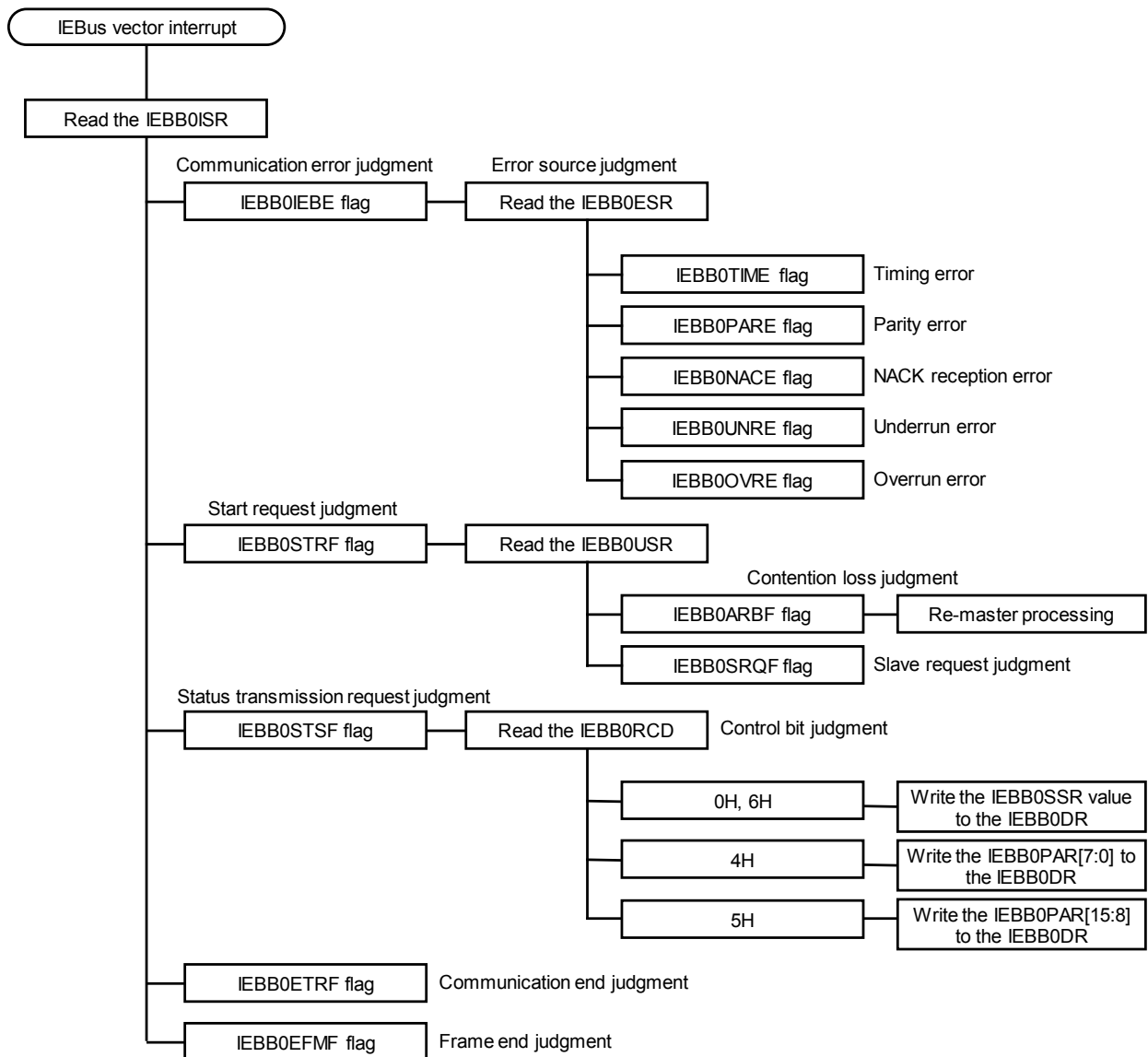


Caution Even if IEBus data interrupt occurs, an error might occur depending on when the interrupt is handled.

Such errors include timing errors after IEBus data interrupt occurs. To increase data processing reliability, only handle data after using the IEBB0ISR.IEBB0IEBE bit to make sure that no error has occurred.

(2) When using IEBus vector interrupt

Figure 19-31. IEBus vector interrupt judgment example



19.5 Operation of IEBus Controller (IEBB)

19.5.1 Initial settings

After setting the IEBB0BCR.IEBB0PW bit to 1, set up the registers below, and then start communication processing.

Table 19-17. Initial setup

Register name	Function	Example
IEBB0PSR	Operation clock and communication mode settings	80H
IEBB0UAR	Set a unit address.	101H
IEBB0CKS	Clock Selection	15H

19.5.2 Master transmission

The unit transmits data and commands to the slave unit as the master.

IEBus data interrupts (Transmission data write request) are used to write transmission data to the IEBB0DR register for each one-byte transfer.

(1) Register settings

After specifying the initial settings in Table 19-17, Initial setup, set up the registers below before starting communication.

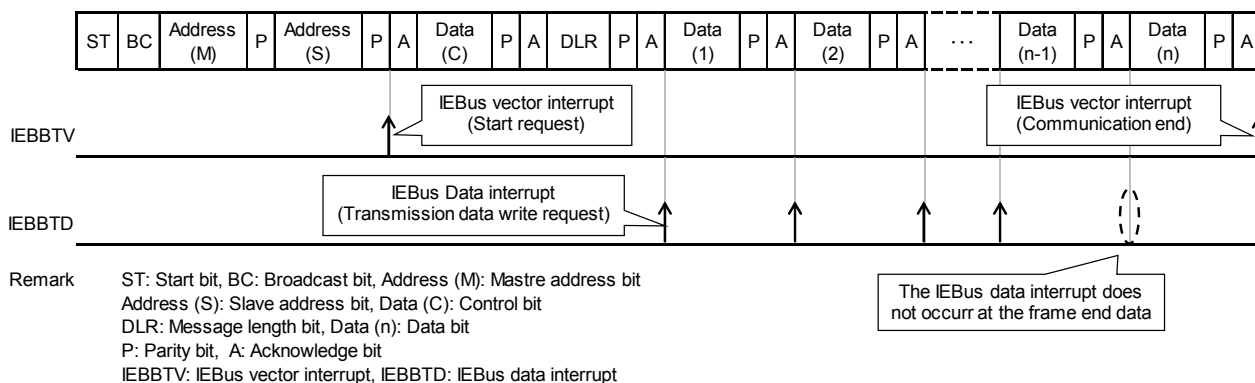
Table 19-18. Standard initial processing

Register name	Function	Example
IEBB0SAR	Communication partner unit address	102H
IEBB0CDR or IEBB0TCD	Control data (AH, BH, EH, FH)	FH
IEBB0DLR	Message length	02H
IEBB0DR	Data (1st byte of data)	11H
IEBB0BCR	Communication startup processing	C8H

(2) Interrupt occurrence timing

Figure 19-32 shows the interrupt occurrence timing of master transmission.

Figure 19-32. Interrupt occurrence timing (Master transmission)



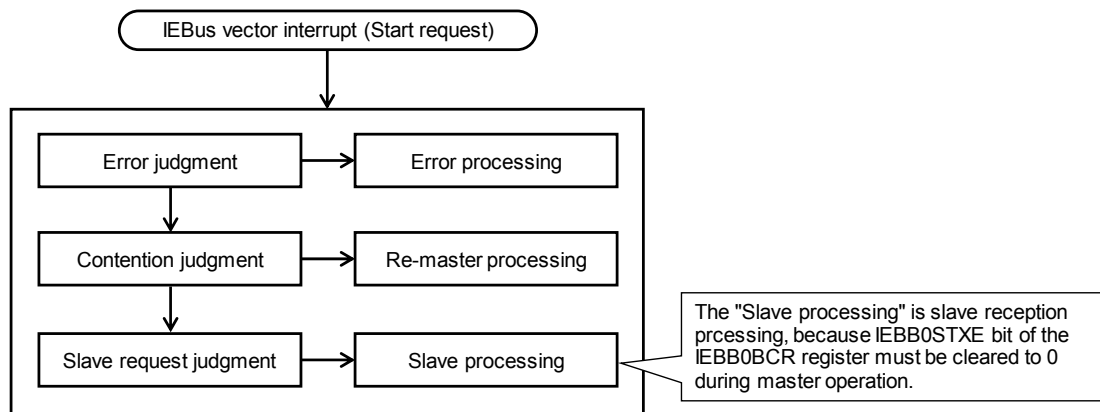
(3) Interrupt servicing examples

The interrupt servicing examples of master transmission is shown below.

- IEBus vector interrupt (Start request) processing flow example

The IEBus vector interrupt (Start request) processing flow example is shown below.

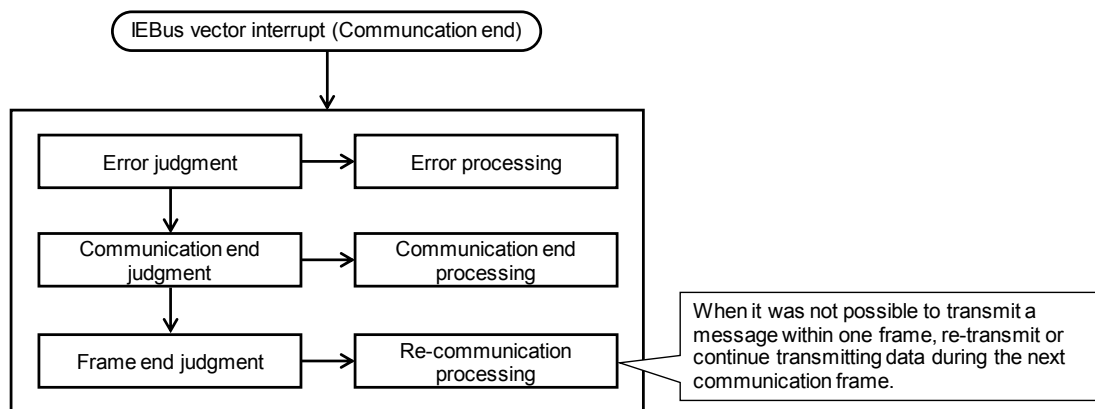
Figure 19-33. IEBus vector interrupt (Start request) processing flow example (Master transmission)



- IEBus vector interrupt (Communication end) processing flow example

The IEBus vector interrupt (Communication end) processing flow example is shown below.

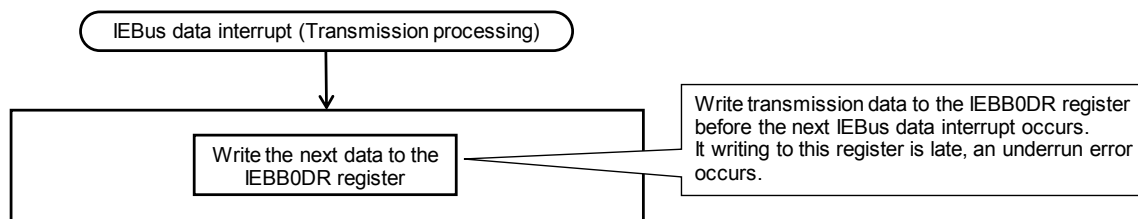
Figure 19-34. IEBus vector interrupt (Communication end) processing flow example (Master transmission)



- IEBus data interrupt processing flow example

The IEBus data interrupt processing flow example is shown below.

Figure 19-35. IEBus data interrupt processing flow example (Master transmission)



19.5.3 Master reception

The unit receives data and commands from the slave unit as the master. Because the slave transfers the message length field in the case of master reception, indicate the message length of data to be transmitted to the slave, such as during other communication. Read the received data one byte at a time by using IEBus data interrupt (reception data read request).

(1) Register settings

After specifying the initial settings in Table 19-17, Initial setup, set up the registers below before starting communication.

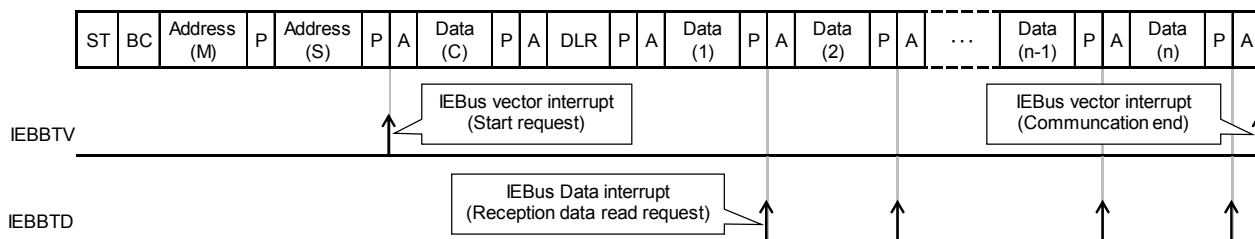
Table 19-19. Standard initial processing

Register name	Function	Example
IEBB0SAR	Communication partner unit address	102H
IEBB0CDR or IEBB0TCD	Control data (0H, 3H, 4H, 5H, 6H, 7H)	7H
IEBB0BCR	Communication startup processing	C8H

(2) Interrupt occurrence timing

Figure 19-36 shows the interrupt occurrence timing of master reception.

Figure 19-36. Interrupt occurrence timing (Master reception)



Remark ST: Start bit, BC: Broadcast bit, Address (M): Mastre address bit
 Address (S): Slave address bit, Data (C): Control bit
 DLR: Message length bit, Data (n): Data bit
 P: Parity bit, A: Acknowledge bit
 IEBBTV: IEBus vector interrupt, IEBBTD: IEBus data interrupt

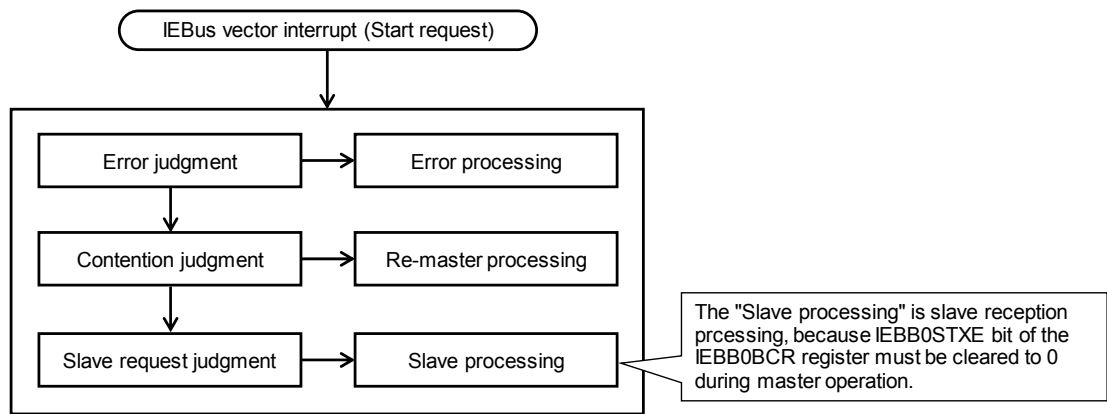
(3) Interrupt servicing examples

The interrupt servicing examples of master reception is shown below.

- IEBus vector interrupt (Start request) processing flow example

The IEBus vector interrupt (Start request) processing flow example is shown below.

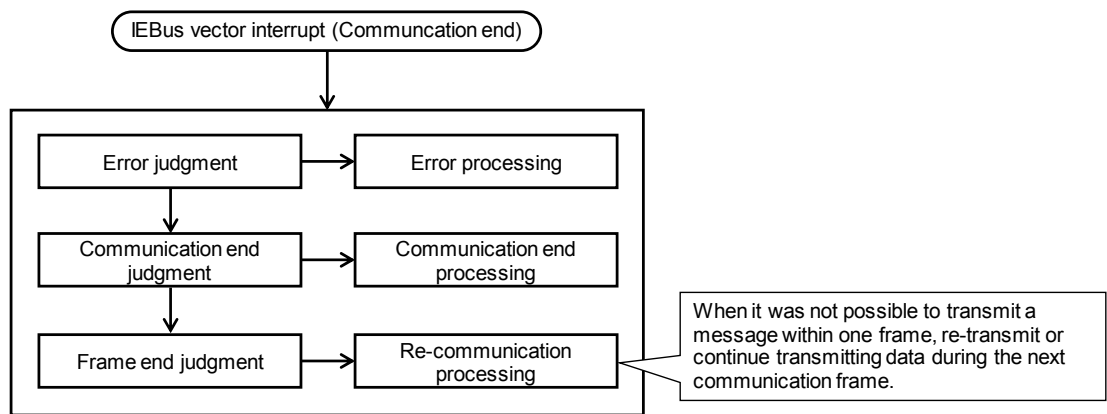
Figure 19-37. IEBus vector interrupt (Start request) processing flow example (Master reception)



- IEBus vector interrupt (Communication end) processing flow example

The IEBus vector interrupt (Communication end) processing flow example is shown below.

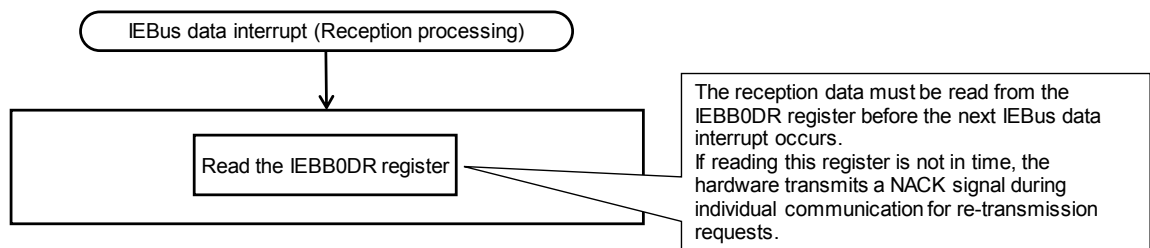
Figure 19-38. IEBus vector interrupt (Communication end) processing flow example (Master reception)



- IEBus data interrupt (Reception data read request) processing flow example

The IEBus data interrupt (Reception data read request) processing flow example is shown below.

Figure 19-39. IEBus data interrupt (Reception data read request) processing flow example (Master reception)



19.5.4 Slave transmission

The unit transfers data and commands to the master unit as a slave.

IEBus data interrupts (Transmission data write request) are used to write transmission data to the IEBB0DR register for each one-byte transfer.

(1) Register settings

After specifying the initial settings in Table 19-17, Initial setup, set up the registers below before starting communication.

Table 19-20. Standard initial processing

Register name	Function	Example
IEBB0DLR	Message length (other than during slave status transmission)	02H
IEBB0DR	Data (1st byte of data)	11H
IEBB0BCR	Communication startup processing	90H

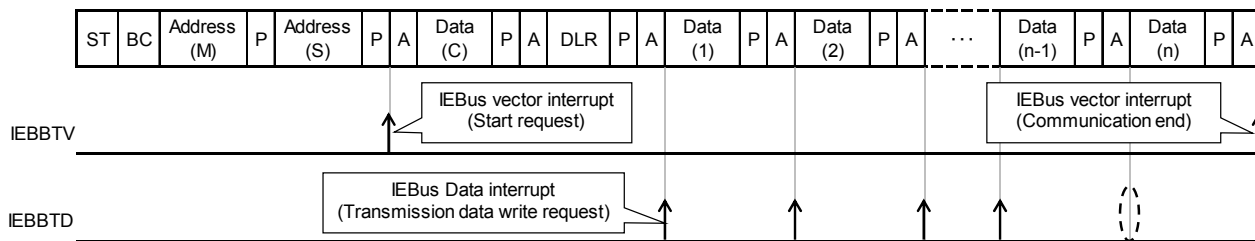
Caution When starting slave transmission, information such as the value to be set to the message length register (IEBB0DLR) and which data is to be returned (the value to be set to the IEBB0DR register) must be assigned in advance by the master, such as during separate communication.

(2) Interrupt occurrence timing

Figure 19-40, Figure 19-41 and Figure 19-42 show the interrupt occurrence timing of slave transmission.

- When the control bit 3H or 7H is received

Figure 19-40. Interrupt occurrence timing (Slave transmission) when the control bit 3H or 7H is received

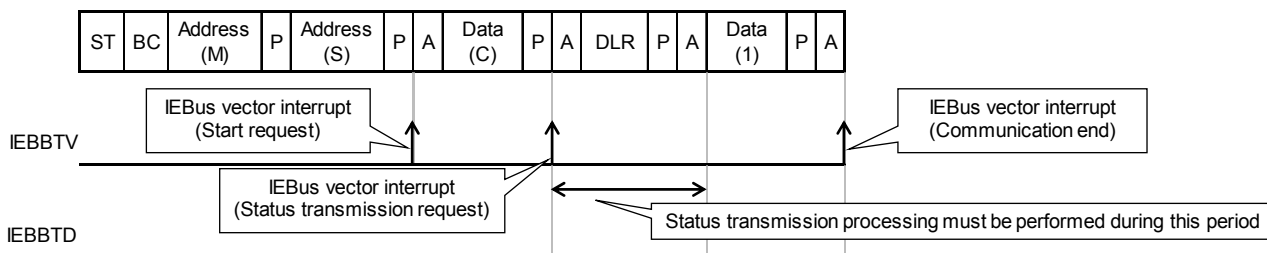


Remark ST: Start bit, BC: Broadcast bit, Address (M): Mastre address bit
 Address (S): Slave address bit, Data (C): Control bit
 DLR: Message length bit, Data (n): Data bit
 P: Parity bit, A: Acknowledge bit
 IEBBTV: IEBus vector interrupt, IEBBTD: IEBus data interrupt

The IEBus data interrupt does not occur at the frame end data

- When the control bit 0H or 6H is received

Figure 19-41. Interrupt occurrence timing (Slave transmission) when the control bit 0H or 6H is received



Remark ST: Start bit, BC: Broadcast bit, Address (M): Mastre address bit
 Address (S): Slave address bit, Data (C): Control bit
 DLR: Message length bit, Data (n): Data bit
 P: Parity bit, A: Acknowledge bit
 IEBBTv: IEBus vector interrupt, IEBBTd: IEBus data interrupt

Caution The interrupt occurrence timing (Slave transmission) is same timing as Figure 19-41, when the control bit 4H or 5H is received from the locked master while the unit is locked.

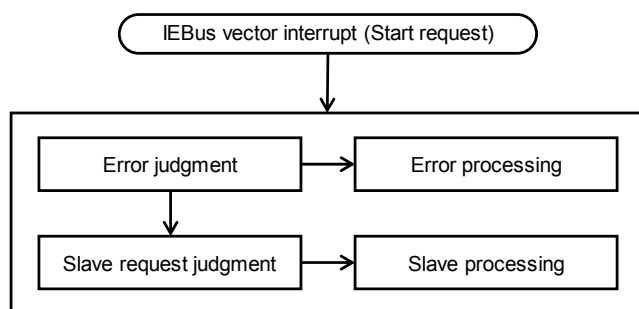
- When the control bit 0H, 4H or 5H is received from a unit other than the locked master while the unit is locked
 The interrupt occurrence timing (Slave transmission) is same as Figure 19-41, when the control bit 0H, 4H or 5H is received from a unit other than the locked master while the unit is locked.

(3) Interrupt servicing examples

The interrupt servicing examples of slave transmission is shown below.

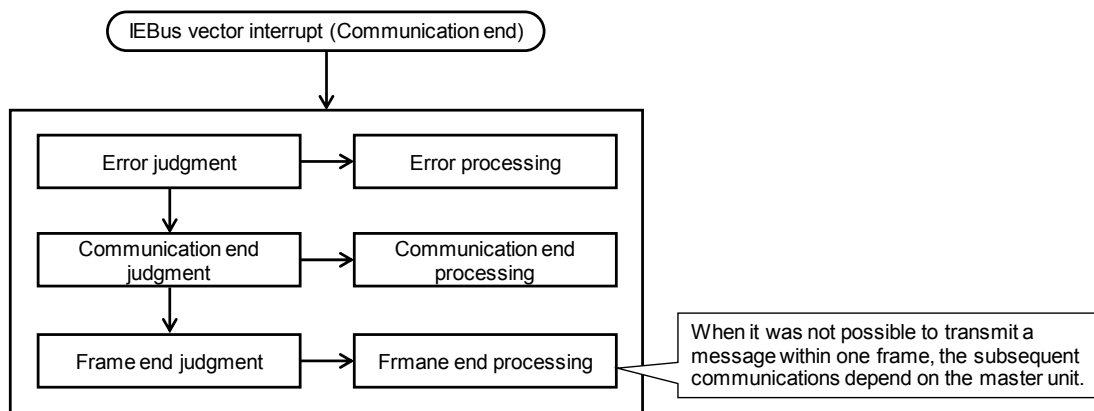
- IEBus vector interrupt (Start request) processing flow example
 The IEBus vector interrupt (Start request) processing flow example is shown below.

Figure 19-42. IEBus vector interrupt (Start request) processing flow example (Slave transmission)



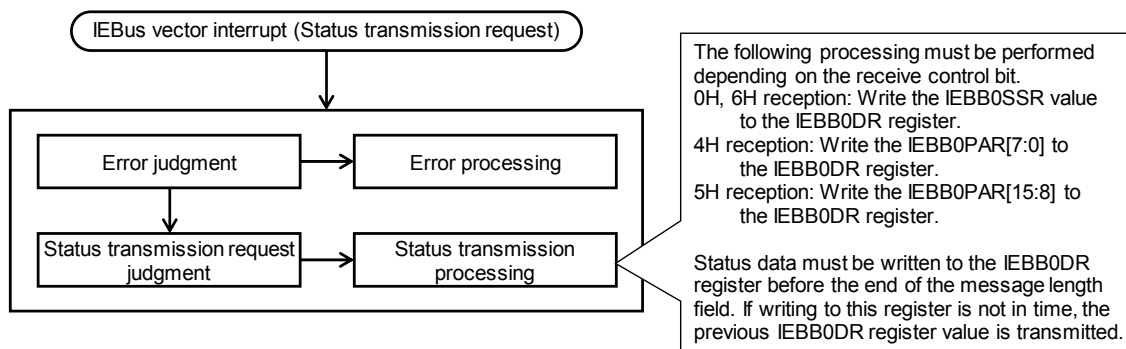
- IEBus vector interrupt (Communication end) processing flow example
The IEBus vector interrupt (Communication end) processing flow example is shown below.

Figure 19-43. IEBus vector interrupt (Communication end) processing flow example (Slave transmission)



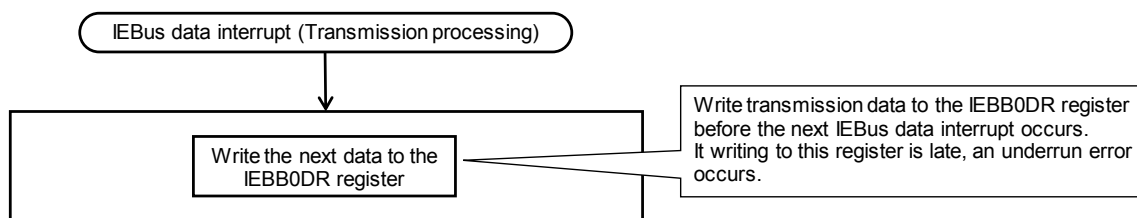
- IEBus vector interrupt (Status transmission request) processing flow example
The IEBus vector interrupt (Status transmission request) processing flow example is shown below.

Figure 19-44. IEBus vector interrupt (Status transmission request) processing flow example (Slave transmission)



- IEBus data interrupt (Transmission data write request) processing flow example
The IEBus data interrupt (Transmission data write request) processing flow example is shown below.

Figure 19-45. IEBus data interrupt (Transmission data write request) processing flow example (Slave transmission)



19.5.5 Slave reception

The unit receives data and commands from the master unit as a slave.

Read the received data one byte at a time by using IEBus data interrupts (Reception data read request).

(1) Register settings

After specifying the initial settings in Table 19-17, Initial setup, set up the registers below before starting communication.

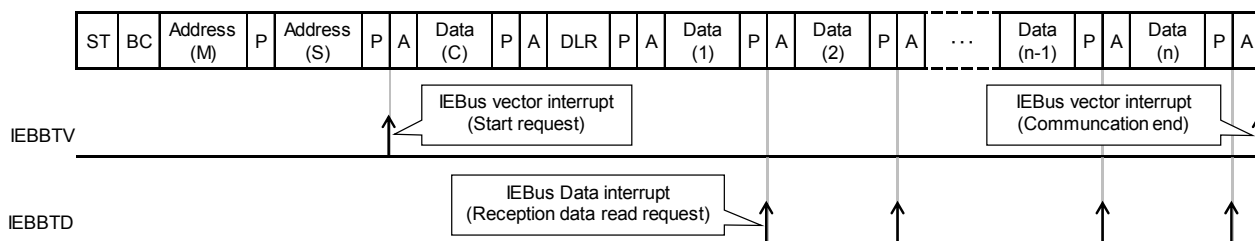
Table 19-21. Communication startup processing

Register name	Function	Example
IEBB0BCR	Communication startup processing	88H

(2) Interrupt occurrence timing

Figure 19-46 shows the interrupt occurrence timing of slave reception.

Figure 19-46. Interrupt occurrence timing (Slave reception)



Remark ST: Start bit, BC: Broadcast bit, Address (M): Mastre address bit
 Address (S): Slave address bit, Data (C): Control bit
 DLR: Message length bit, Data (n): Data bit
 P: Parity bit, A: Acknowledge bit
 IEBBTV: IEBus vector interrupt, IEBBTD: IEBus data interrupt

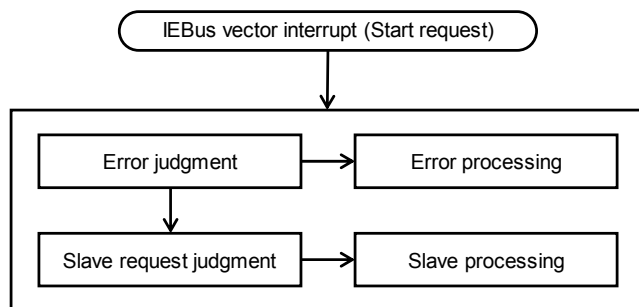
(3) Interrupt servicing examples

The interrupt servicing examples of slave reception is shown below.

- IEBus vector interrupt (Start request) processing flow example

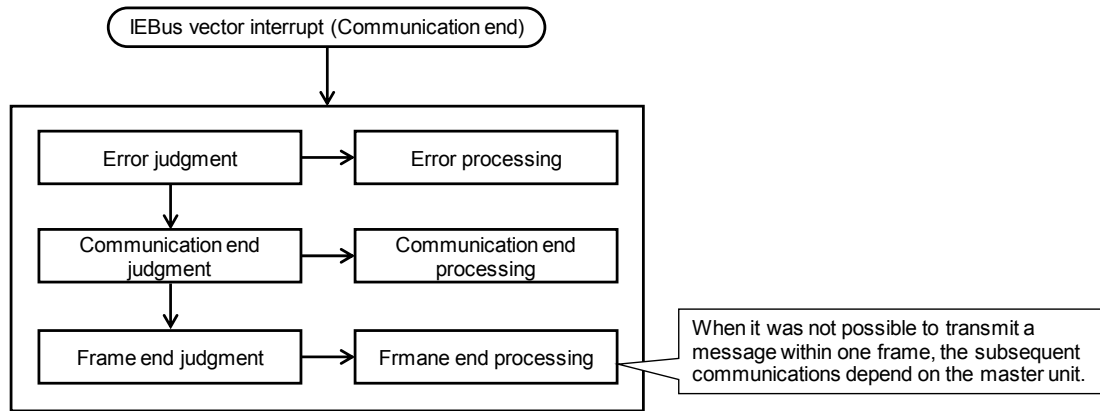
The IEBus vector interrupt (Start request) processing flow example is shown below.

Figure 19-47. IEBus vector interrupt (Start request) processing flow example (Slave reception)



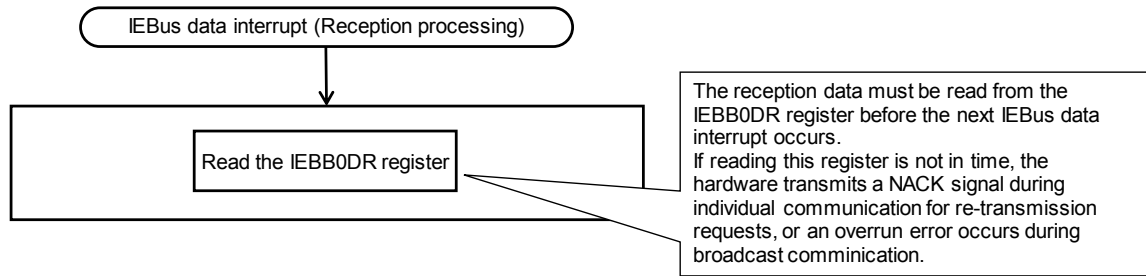
- IEBus vector interrupt (Communication end) processing flow example
 The IEBus vector interrupt (Communication end) processing flow example is shown below.

Figure 19-48. IEBus vector interrupt (Communication end) processing flow example (Slave reception)



- IEBus data interrupt (Reception data read request) processing flow example
 The IEBus data interrupt (Reception data reqd request) processing flow example is shown below.

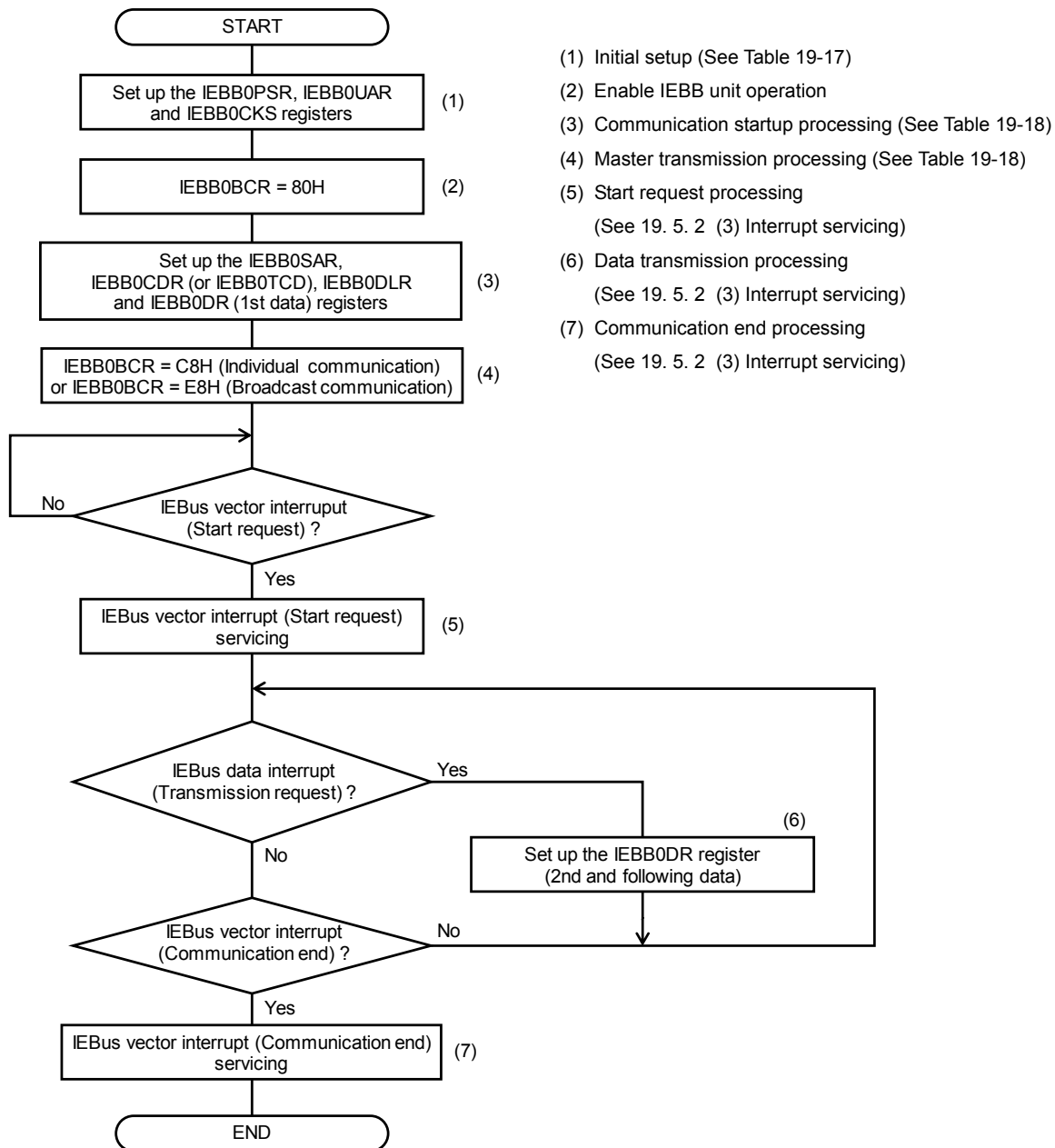
Figure 19-49. IEBus data interrupt (Reception data read request) processing flow example (Slave reception)



19.6 Setup Procedures of IEBus Controller (IEBB)

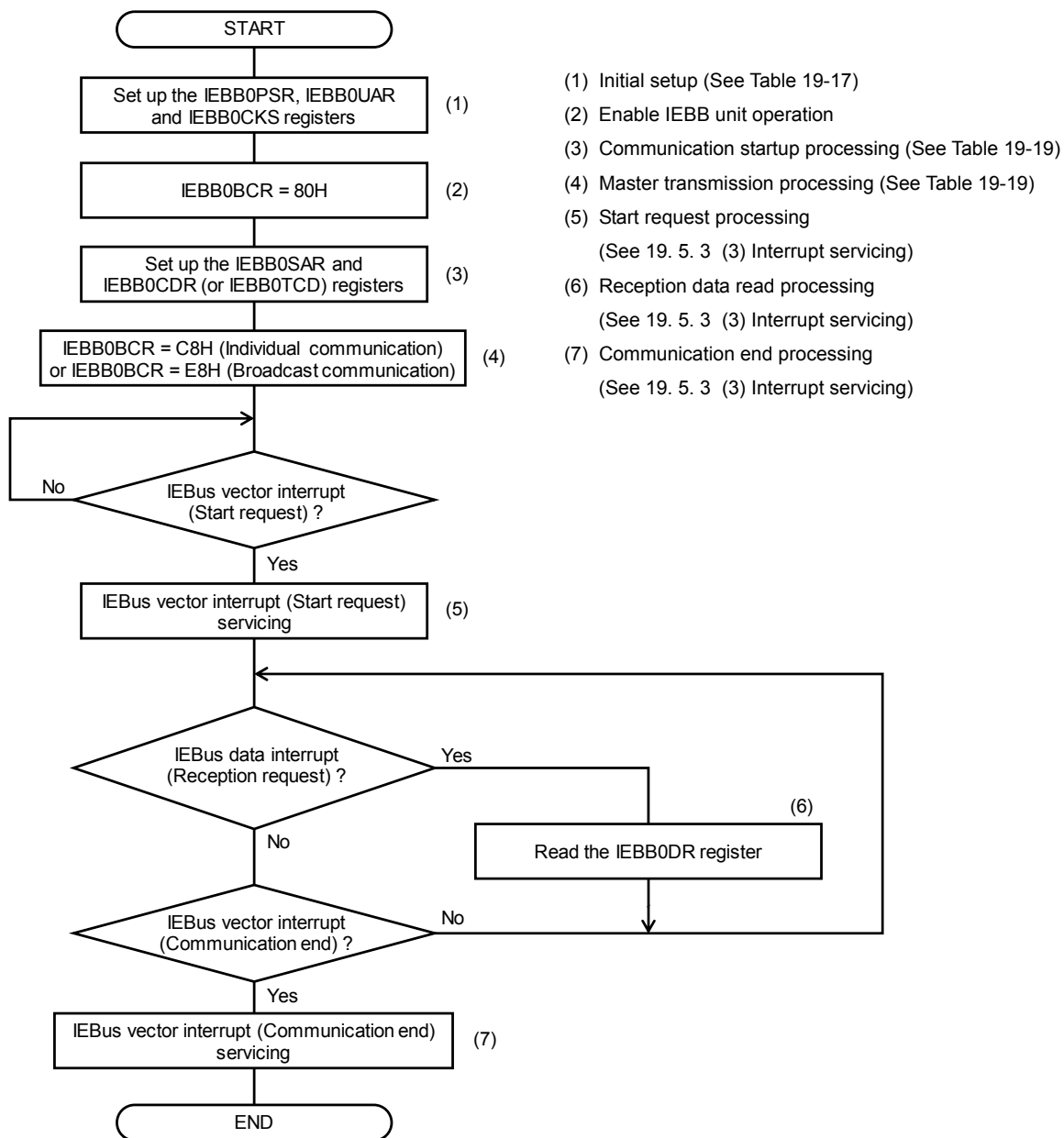
19.6.1 Master transmission

Figure 19-50. Master transmission



19.6.2 Master reception

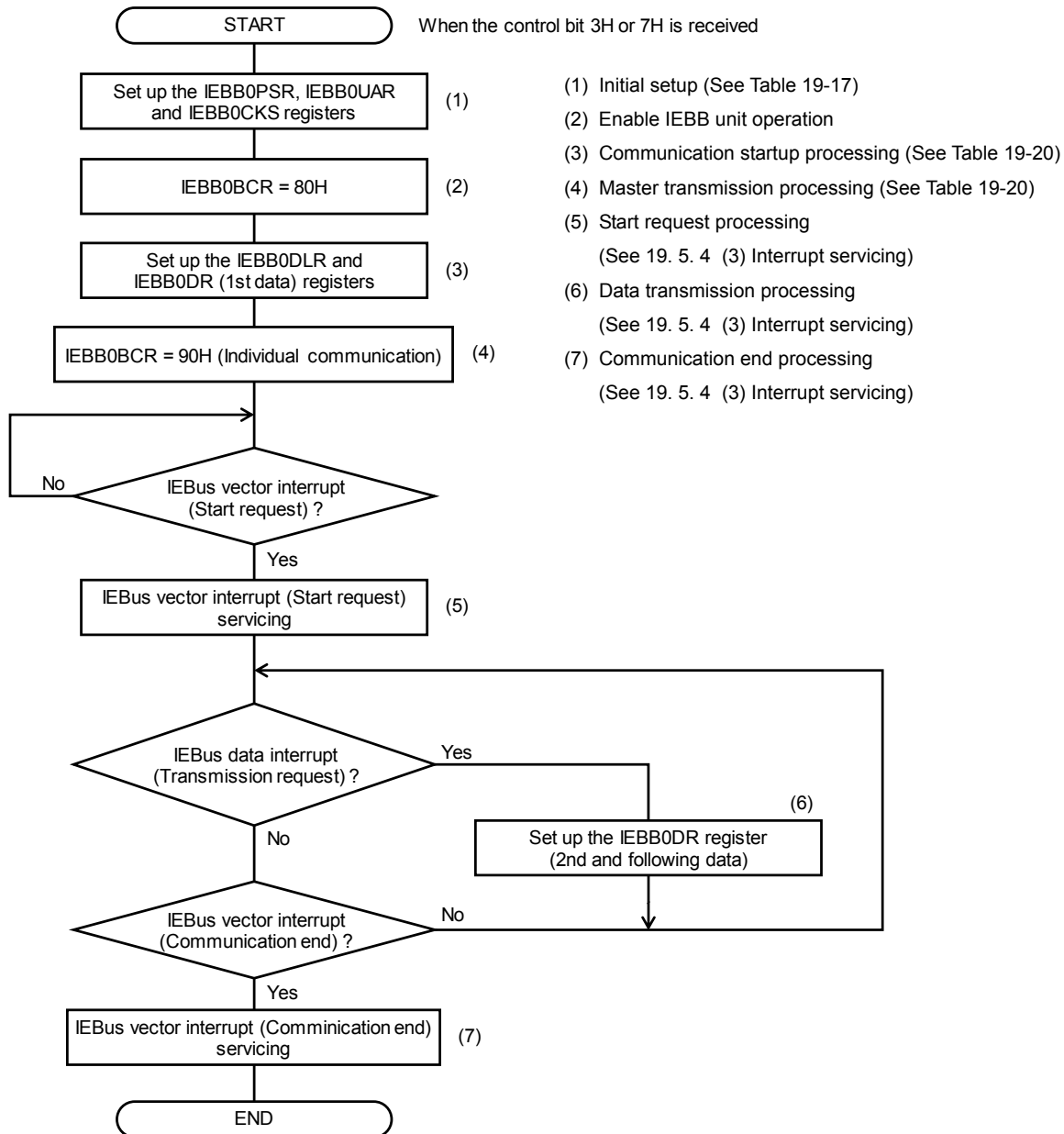
Figure 19-51. Master reception



19.6.3 Slave transmission

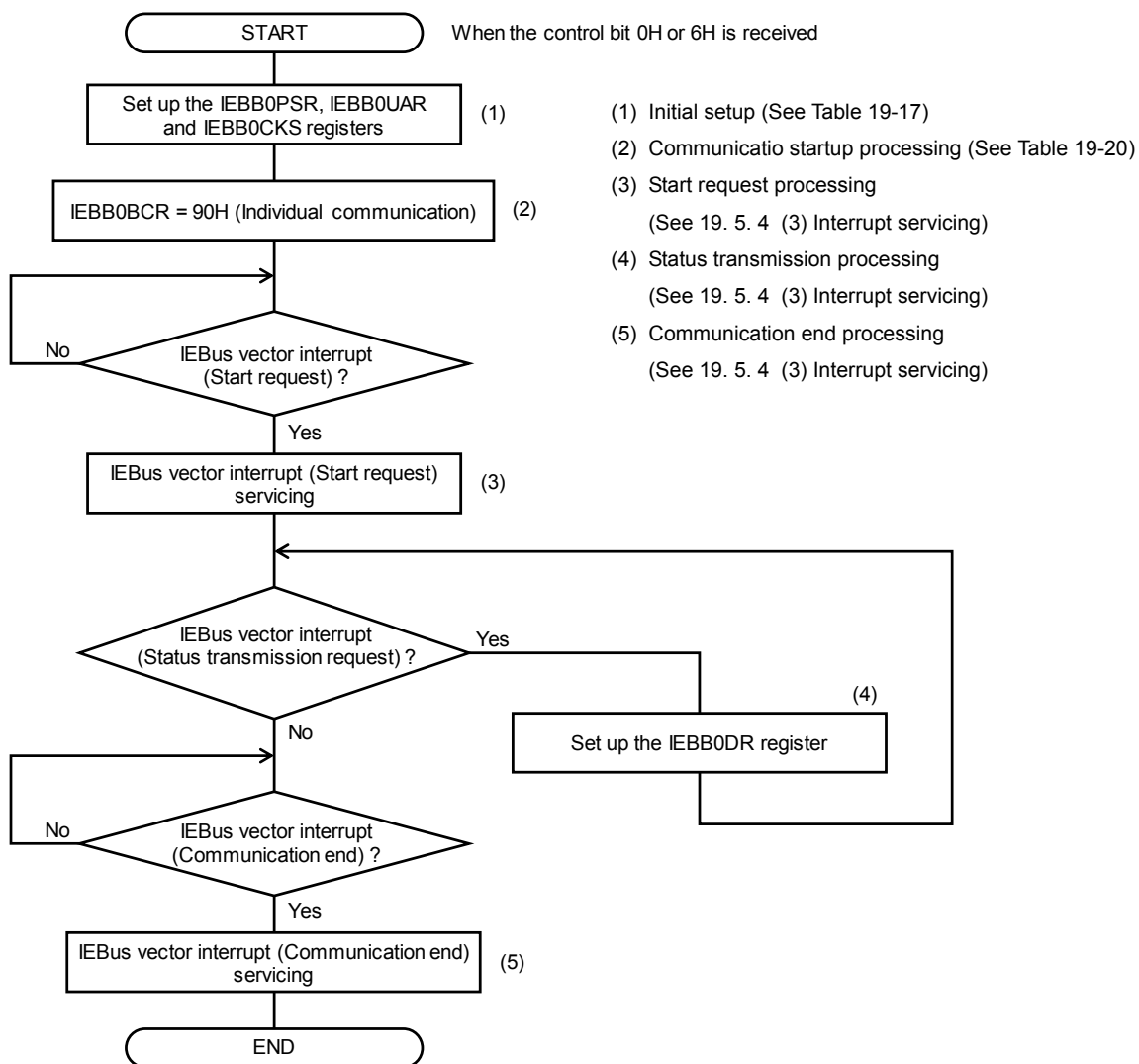
(1) When the control bit 3H or 7H is received

Figure 19-52. Slave transmission: When the control bit 3H or 7H is received



(2) When the control bit 0H or 6H is received

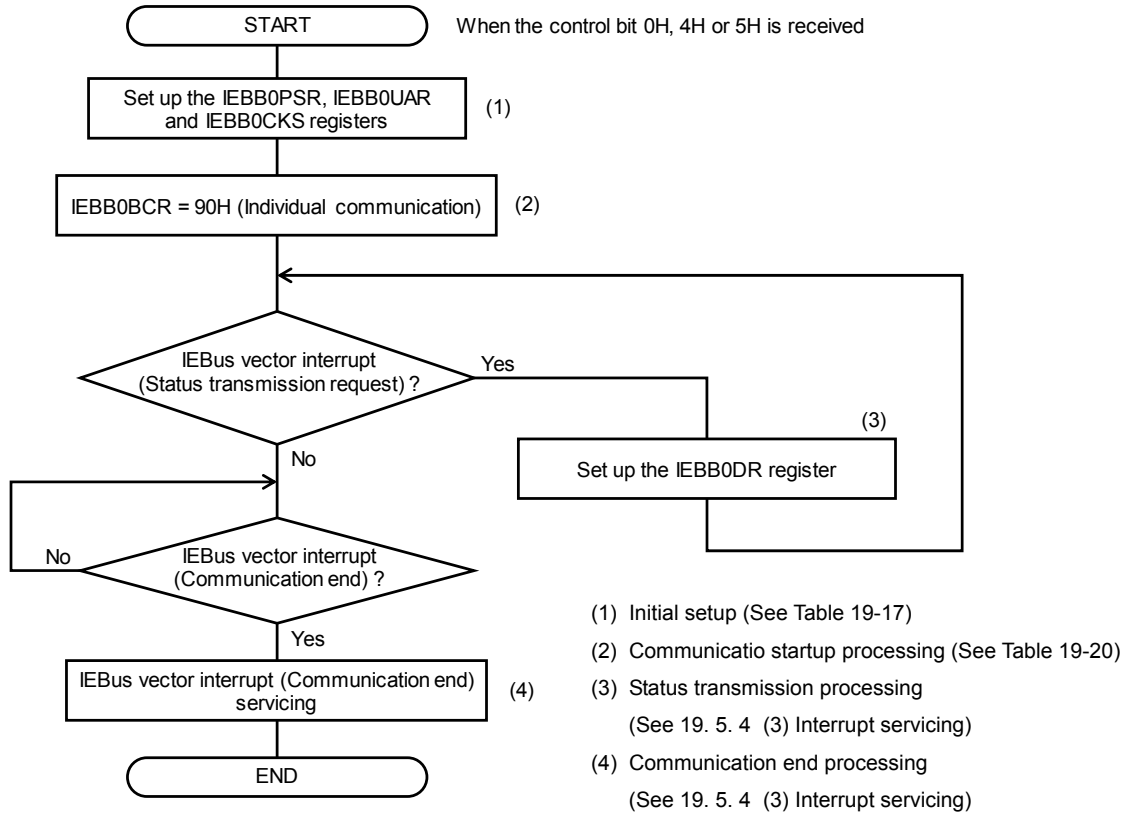
Figure 19-53. Slave transmission: When the control bit 0H or 6H is received



Caution The slave transmission processing is same timing as Figure 19-53, when the control bit 4H or 5H is received from the locked master while the unit is locked.

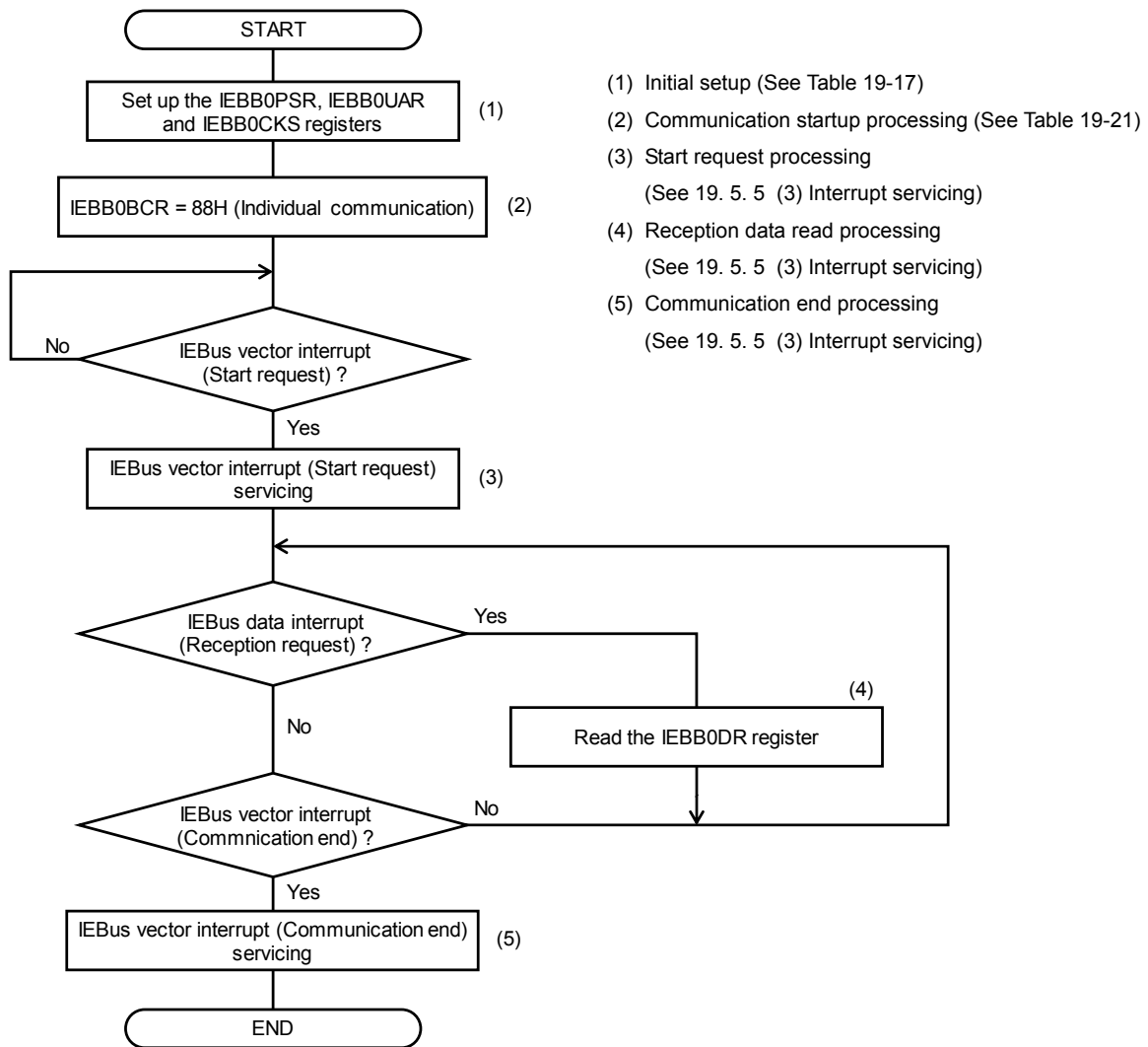
(3) When the control bit 0H, 4H or 5H is received from a unit other than the locked master while the unit is locked

Figure 19-54. Slave transmission: When the control bit 0H, 4H or 5H is received from a unit other than the locked master while the unit is locked



19.6.4 Slave reception

Figure 19-55. Slave reception



19.7 Functions of IEBus Controller (IEBB)

19.7.1 IEBus communication protocol

The communication protocol of the IEBus is as follows.

(1) Multi-task mode

All the units connected to the IEBus can transfer data to the other units.

(2) Broadcast communication

Communication between one unit and multiple units can be performed as follows.

- Group broadcast communication: Broadcast communication to group units
- All-unit broadcast communication: Broadcast communication to all units

(3) Effective transmission speed

The effective transfer rate is in mode 1 or mode 2.

- Mode 1: Approx. 18 kbps
- Mode 2: Approx. 27 kbps

Caution Different modes (mode 1, mode 2) must not be mixed on one IEBus.

(4) Communication mode

Data transfer is executed in half-duplex asynchronous communication mode.

(5) Access control: CSMA/CD (Carrier Sense Multiple Access with Collision Detection)

The priority of the IEBus is as follows:

1. Broadcast communication takes precedence over individual communication (communication from one unit to another).
2. The lower master address takes precedence.

(6) Communication scale

The communication scale of IEBus is as follows:

- Number of units: 50 maximum
- Cable length: 150 m maximum (when twisted pair cable is used)

Caution The communication scale depends on IEBus transceiver and the above characteristics (actual number of units and cable length).

19.7.2 Determination of bus mastership (arbitration)

An operation to occupy the bus is performed when a unit connected to the IEBus controls the other units. This operation is called arbitration. When multiple units simultaneously start transmission, arbitration is used to grant one of the units permission to occupy the bus. Because only one unit is granted bus mastership as a result of arbitration, the priority conditions of the bus are predetermined as follows.

(1) Priority by communication type

Broadcast communication takes precedence over individual communication.

Broadcast communication: Communication from one unit to multiple units

Individual communication: Communication from one unit to another unit

(2) Priority by master address

If the communication type is the same, communication with the lower master address takes precedence.

A master address consists of 12 bits, with unit 000H having the highest priority and unit FFFH having the lowest priority.

Caution Bus mastership is canceled if communication is aborted.

19.7.3 Communication mode

The IEBus has three communication modes, each of which has a different transfer rate. The RL78/F15 supports communication modes 1 and 2. The transfer rate and the maximum number of transfer bytes per communication frame in communication modes 1 and 2 are shown below.

Table 19-22. Transfer rate and maximum number of transfer bytes in each communication mode

Communication mode	Maximum number of transfer bytes (bytes/frame)	Effective transfer rate ^{Note}
1	32 bytes/frame	Approx. 18 kbps
2	128 bytes/frame	Approx. 27 kbps

Note Effective transfer rate when the maximum number of transfer bytes is transmitted

Select the communication mode for each unit connected to the IEBus before starting communication. If the communication mode of the master unit and that of the partner unit (slave unit) are not the same, communication is not correctly executed.

19.7.4 Communication address

For the IEBus, each unit is assigned a specific 12-bit address. This communication address consists of the following identification numbers.

- Higher 4 bits: Group number (number to identify the group to which each unit belongs)
- Lower 8 bits: Unit number (number to identify each unit in a group)

19.7.5 Broadcast communication

Normally, transmission or reception is performed between the master unit and its partner slave unit on a one-to-one basis. During broadcast communication, however, multiple slave units exist and the master unit executes transmission to these slave units. Because multiple slave units exist, the NACK signal is returned by the communicating slave unit as an acknowledge bit.

Whether broadcast communication or individual communication is to be executed is selected by the broadcast bit. Broadcast communication is classified into two types: group-unit broadcast communication and all-unit broadcast communication. Group-unit broadcast and all-unit broadcast are identified by the value of the slave address.

(1) Group-unit broadcast communication

Broadcast communication is performed to the units in a group identified by the group number indicated by the higher 4 bits of the communication address.

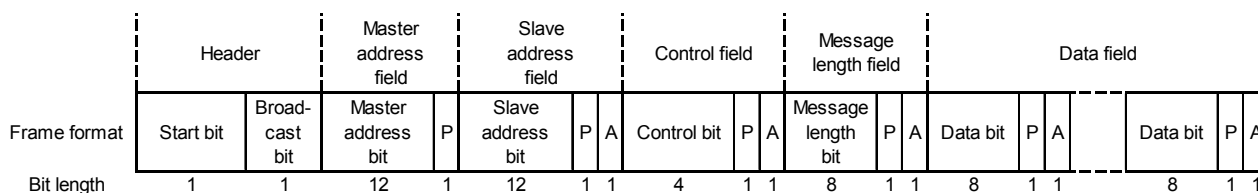
(2) All-unit broadcast communication

Broadcast communication is performed to all the units, regardless of the value of the group number.

19.7.6 IEBus transfer format

The IEBus transfer signal format is shown in Figure 19-56, IEBus transfer signal format.

Figure 19-56. IEBus transfer signal format



Note The master unit ignores the acknowledge bit during broadcast communication.

(1) Start bit

The start bit is a signal that informs the other units of the start of a data transfer.

If another unit has already output its start bit when one unit is to output the start bit, this unit does not output the start bit and instead waits for completion of output of the start bit by the other unit. When the output of the start bit by the other unit is complete, the unit starts outputting the broadcast bit in synchronization with the completion of the start bit output by the other unit.

The units other than the one that started communication detect this start bit, and enter the reception status.

(2) Broadcast bit

This bit indicates whether the master selects one slave (individual communication) or multiple slaves (broadcast communication) as the other party of communication.

When the broadcast bit is 0, it indicates broadcast communication. When it is 1, individual communication is indicated. Broadcast communication is classified into two types: group-unit communication and all-unit communication. These communication types are identified by the value of the slave address.

If one unit occupies the bus as the master, the value set to the broadcast request flag (the IEBB0BCR.IEBB0ALRQ bit) is output.

(3) Master address field

The master address field is output by the master to inform a slave of the master's address.

If multiple units start transmitting the broadcast bit at the same time, the master address field makes a judgment of arbitration.

The master address field compares the data it outputs with the data on the bus each time it has output one bit. If the master address output by the master address field is found to differ from the data on the bus as a result of comparison, it is assumed that the master has lost arbitration.

After a 12-bit master address has been output, only one unit remains in the transmission status as one master unit.

Next, this master unit outputs a parity bit, determines the master address of other unit, and starts outputting a slave address field.

If one unit occupies the bus as the master, the address specified by the IEBB0UAR register is output.

(4) Slave address field

The master outputs the address of the unit with which it is to communicate.

A parity bit is output after a 12-bit slave address has been transmitted to prevent the wrong slave address from being received by mistake. Next, the master unit detects an $\overline{\text{ACK}}$ signal from the slave unit to confirm that the slave unit exists on the bus. The master unit starts outputting the control field after detecting the $\overline{\text{ACK}}$ signal. During broadcast communication, however, the master does not confirm the acknowledge bit and instead starts outputting the control field.

The slave unit outputs the $\overline{\text{ACK}}$ signal if its slave address matches and if the slave detects that the parities of both the master address and slave address are even. The slave unit judges that the master address or slave address has not been correctly received and outputs the NACK signal if the parities are odd. At this time, the master unit is in the standby (monitor) status, and communication ends.

During broadcast communication, the slave address is used to identify group-unit broadcast or all-unit broadcast, as follows:

If the slave address is FFFH: All-unit broadcast communication

If the slave address is not FFFH: Group-unit broadcast communication

If one unit occupies the bus as the master, the address specified by the IEBB0SAR register is output. The group No. during group-unit broadcasting communication is the value of the higher 4 bits of the slave address.

(5) Control data field

The master uses this field to output the operation it requires the slave to perform.

If the parity following the control bit is even and the slave unit can execute the function required by the master unit, the slave unit outputs an $\overline{\text{ACK}}$ signal and starts outputting the message length field. If the slave unit cannot execute the function required by the master unit even if the parity is even, or if the parity is odd, the slave unit outputs the NACK signal, and returns to the standby (monitor) status.

The master unit starts outputting the message length field after detecting the $\overline{\text{ACK}}$ signal.

If the master detects the NACK signal, the master unit enters the standby status, and communication ends. During broadcast communication, however, the master unit does not confirm the acknowledge bit and starts outputting the message length field.

If one unit occupies the bus as the master, the value set to the IEBB0TCD register is output.

Table 19-23. Control bit contents

Bit 3 ^{Note1}	Bit 2	Bit 1	Bit 0	Function
0	0	0	0	Read slave status
0	0	0	1	Undefined
0	0	1	0	Undefined
0	0	1	1	Read data and lock
0	1	0	0	Read lock address (lower 8 bits)
0	1	0	1	Lock address reading (higher 4 bits)
0	1	1	0	Slave status reading and unlocking ^{Note2}
0	1	1	1	Read data
1	0	0	0	Undefined
1	0	0	1	Undefined
1	0	1	0	Command writing and locking ^{Note2}
1	0	1	1	Data writing and locking ^{Note2}
1	1	0	0	Undefined
1	1	0	1	Undefined
1	1	1	0	Write command
1	1	1	1	Write data

Notes 1. The message length bit of the message length field and data transfer direction of the data field change as follows depending on the value of bit 3 (MSB).

If bit 3 is 1: Transfer from master unit to slave unit

If bit 3 is 0: Transfer from slave unit to master unit

2. This is a control bit that specifies locking or unlocking.

If the control bit received from the master unit is not as 0H, 4H or 5H, control field for locked slave unit, the unit locked by the master unit rejects acknowledging the control bit, and outputs the NACK signal.

In addition, units for which locking is not set up by the master unit reject acknowledgment and output a NACK signal when the control bit is 4H and 5H, control field for unlocked slave unit is acknowledged.

(6) Message length field

This field is output by the transmission side to inform the reception side of the number of bytes of the transmit data.

Table 19-24, Contents of the message length bit shows the relationship between the message length bit and the number of transmission data bytes.

Table 19-24. Contents of the message length bit

Message length bit (hexadecimal)	Number of transmission data bytes
01H	1 byte
02H	2 bytes
...	...
FFH	255 bytes
00H	256 bytes

The operation of the message length field differs depending on whether the master transmits data (when control bit 3 is 1) or receives data (when control bit 3 is 0).

- **During master transmission**

The message length bit and parity bit are output by the master unit and the synchronization signals of bits are output by the master unit. When the slave unit detects that the parity is even, it outputs the $\overline{\text{ACK}}$ signal, and starts outputting the data field. During broadcast communication, however, the slave unit outputs the NACK signal. If the parity is odd, the slave unit judges that the message length bit has not been correctly received, outputs the NACK signal, and returns to the standby (monitor) status. At this time, the master unit also returns to the standby status, and communication ends.

- **Master reception**

The message length bit and parity bit are output by the slave unit and the synchronization signals of bits are output by the master unit. If the master unit detects that the parity bit is even, it outputs the $\overline{\text{ACK}}$ signal. If the parity bit is odd, the master unit judges that the message length bit has not been correctly received, outputs the NACK signal, and returns to the standby status. At this time, the slave unit also returns to the standby status, and communication ends.

(7) Data field

This is data output by the transmission side.

The master unit transmits or receives data to or from a slave unit by using the data field. Following the data bit, the parity bit and acknowledge bit are output by the master unit and slave unit, respectively. Use broadcast communication only when the master unit transmits data. At this time, the acknowledge bit is ignored.

The operation differs as follows depending on whether the master transmits or receives data.

- **During master transmission**

When the master unit writes data to a slave unit, the master unit transmits the data bit and parity bit to the slave unit. If the parity is even and the received data is not stored in the IEBB0DR register when the slave unit has received the data bit and parity bit, the slave unit outputs an $\overline{\text{ACK}}$ signal. If the parity is odd or the received data is stored in the IEBB0DR register, the slave unit rejects receiving the data, and outputs the NACK signal.

If the slave unit outputs the NACK signal, the master unit transmits the same data again. This operation continues until the master detects the $\overline{\text{ACK}}$ signal from the slave unit, or the data exceeds the maximum number of transmit bytes.

If there is more data and the maximum number of transmission bytes is not exceeded when the parity is even and when the slave unit outputs the $\overline{\text{ACK}}$ signal, the master unit transmits the next data.

During broadcast communication, the slave unit outputs the NACK signal, and the master unit transfers 1 byte of data at a time. If the parity is odd or the IEBB0DR register is storing received data after the slave unit receives the data bit and parity bit during broadcast communication, the slave unit judges that reception has not been performed correctly, and stops reception.

- **Master reception**

When the master unit reads data from a slave unit, the master unit outputs a sync signal corresponding to all the read bits. The slave unit outputs the contents of the data and parity bits to the bus in response to the sync signal from the master unit. The master unit reads the data and parity bits output by the slave unit, and checks the parity. If the parity is odd or the IEBB0DR register is storing received data, the master unit rejects accepting the data, and outputs the NACK signal. If the maximum number of transmission bytes is within the value that can be transmitted in one communication frame, the master unit rereads the same data.

If the parity is even and the IEBB0DR register is not storing received data, the master unit accepts the data and outputs the $\overline{\text{ACK}}$ signal. If the maximum number of transmission bytes is within the value that can be transmitted in one frame, the master unit reads the next data.

Caution During broadcast communication, do not perform master reception. If you do this, the slave unit cannot be defined and data transfers cannot be performed correctly.

(8) Parity bit

The parity bit is used to make sure that the transmission data has no error.

The parity bit is appended to each data of the master address, slave address, control, message length, and data bits.

The parity is an even parity. If the number of data bits that are '1' is odd, the parity bit is '1'. If the number of data bits that are '1' is even, the parity bit is '0'.

(9) Acknowledge bit

During normal communication (communication from one unit to another), an acknowledge bit is appended to the each end of field (salve address field, control field, message length field and data field).

The definition of the acknowledge bit is as follows.

0: The transmission data is recognized. ($\overline{\text{ACK}}$ signal)

1: The transmission data is not recognized. (NACK signal)

During broadcast communication, however, the contents of the acknowledge bit are ignored.

• Last acknowledge bit of the slave address field

The last acknowledge bit of the slave address field serves as a NACK signal in any of the following cases, and transmission is stopped.

- If the parity of the master address bit or slave address bit is incorrect
- If a timing error (an error in the bit format) occurs
- If a slave unit does not exist

• Last acknowledge bit of the control field

The last acknowledge bit of the control field serves as a NACK signal in any of the following cases, and transmission is stopped.

- If the parity of the control bit is incorrect
- If control bit 3 is 1 (write operation) when the slave reception enable flag (the IEBB0BCR.IEBB0SRXE bit) is not set (to 1)
- If control bit data is read (3H, 7H) when the slave reception enable flag (the IEBB0BCR.IEBB0SRXE bit) is not set (to 1)
- If a unit other than one that has set locking requests 3H, 6H, 7H, AH, BH, EH or FH of the control bit when locking is set
- If the control bit indicates reading of lock addresses (4H, 5H) even when locking is not set
- If a timing error occurs
- If the control bit is undefined

• Last acknowledge bit of message length field

The last acknowledge bit of the message length field serves as a NACK signal in any of the following cases, and transmission is stopped.

- If the parity of the message length bit is incorrect
- If a timing error occurs

• Last acknowledge bit of the data field

The last acknowledge bit of the data field serves as a NACK signal in any of the following cases, and transmission is stopped.

- If the parity of the data bit is incorrect
- If a timing error occurs after the preceding acknowledge bit has been transmitted
- If the received data is stored in the IEBB0DR register and no more data can be received

19.7.7 Transfer data

(1) Slave status

The master unit can learn why the slave unit did not return the \overline{ACK} signal by reading the slave status.

The slave status is determined according to the result of the last communication the slave unit has executed.

All the slave units can supply information on the slave status.

The configuration of the slave status is shown below.

Figure 19-57. Slave status bit configuration

MSB				LSB			
Bit 7	Bit 6	Bit 5	Bit 4	Bit 3	Bit 2	Bit 1	Bit 0
Bit	Function						
Bit 0 ^{Note1}	0: Transmit data is not written in the IEBB0DR register 1: Transmit data is written in the IEBB0DR register						
Bit 1	0: Recive data is not stored in the IEBB0DR register 1: Receive data is stored in the IEBB0DR register						
Bit 2	0: Unit is not locked 1: Unit is locked						
Bit 3	Fixed to 0						
Bit 4 ^{Note2}	0: Slave transmission is stopped 1: Slave transmission is ready						
Bit 5	Fixed to 0						
Bit 6	Indicates the highest mode supported by the unit ^{Note3}						
Bit 7	00B: Mode 0, 01B: Mode 1, 10B: Mode 2, 11B: Not used						

- Notes
1. After reset: Bit 0 is set to 1.
 2. When the RL78/F15 serves as a slave unit, this bit corresponds to the status indicated by IEBB0BCR.IEBB0STXE bit.
 3. Bits 7 and 6 are fixed to "10B" because the RL78/F15 can support modes 1 and 2.

(2) Lock address

When the lock address is read (control bit: 4H or 5H), the address (12 bits) of the master unit that has issued the lock instruction is configured in 1-byte units as shown below and read.

(3) Data

If the control bit indicates reading of data (3H or 7H), the data in the data buffer of the slave unit is read by the master unit.

If the control bit indicates writing of data (BH or FH), the data received by the slave unit is processed according to the operation rule of that slave unit.

(4) Locking and unlocking

The lock function is used when a message is transferred in two or more communication frames.

The unit that is locked does not receive data from units other than the one that has locked the unit (does not receive broadcast communication).

A unit is locked or unlocked as follows.

- **Lock setting**

If the communication frame is completed without succeeding to transmit or receive data of the number of bytes specified by the message length bit after the message length field has been transmitted or received ($\overline{ACK} = 0$) by the control bit that specifies locking (3H, AH, or BH), the slave unit is locked by the master unit. At this time, the bit (bit 2) in the byte indicating the slave status is set to '1'.

- **Unlocked**

After transmitting or receiving data of the number of data bytes specified by the message length bit in one communication frame by the control bit that has specified locking (3H, AH, or BH), or the control bit that has specified unlocking (6H), the slave unit is unlocked by the master unit. At this time, the bit related to locking (bit 2) in the byte indicating the slave status is reset to '0'.

Locking or unlocking is not performed during broadcast communication.

Locking and unlocking conditions are shown below.

Table 19-25. Setting conditions:

Control data	Broadcast communication		Individual communication	
	End of communication	End of frame	End of communication	End of frame
3H, 6H ^{Note}	-	-	Cannot be locked	Lock set
AH, BH	Cannot be locked	Cannot be locked	Cannot be locked	Lock set
0H, 4H, 5H, EH, FH	Cannot be locked	Cannot be locked	Cannot be locked	Cannot be locked

Note The frame end of control data 6H (slave status read/unlock) occurs when the parity in the data field is odd, and when the NACK signal from the IEBus unit is repeated with up to the maximum number of transfer bytes being output.

Table 19-26. Unlocking conditions (while locked)

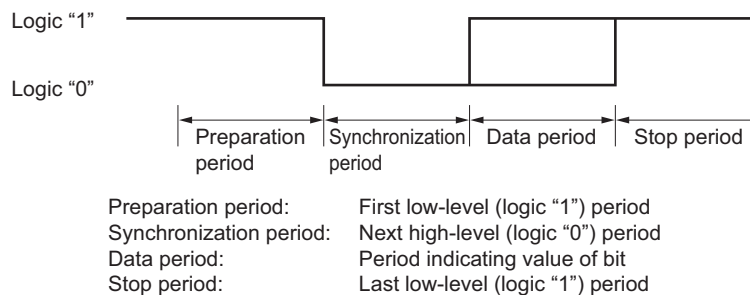
Control bit	Broadcast communication from the lock request unit		Individual communication from the lock request unit	
	End of communication	End of frame	End of communication	End of frame
3H, 6H ^{Note}	-	-	Unlocked	Remains locked
AH, BH	Unlocked	Unlocked	Unlocked	Remains locked
0H, 4H, 5H, EH, FH	Remains locked	Remains locked	Remains locked	Remains locked

Note The frame end of control data 6H (slave status read/unlock) occurs when the parity in the data field is odd, and when the NACK signal from the IEBus unit is repeated with up to the maximum number of transfer bytes being output.

19.7.8 Bit format

The format of the bits constituting the communication frame of the IEBus is shown below

Figure 19-58. IEBus bit format



The synchronization period and data period are almost equal to each other in length.

The IEBus synchronizes each bit. The specifications on the time of the entire bit and the time related to the period allocated to that bit differ depending on the type of transmit bit, or whether the unit is the master unit or a slave unit. The master and slave units monitor whether each period (preparation period, synchronization period, data period, and stop period) is output for the specified time while they are in communication. If a period is not output for the specified time, the master and slave units report a timing error, immediately terminate communication, and enter the standby status.

19.8 Notes on IEBus controller (IEBB)

19.8.1 IEBB0 operating clock

Set 8 MHz to IEBus controller (IEBB0) operating clock by using IEBB0CKS register. Use a clock which meets the specifications below in order to realize IEBus (communication mode 1 or mode 2).

Table 19-27. IEBus controller (IEBB0) clock specifications

Parameter	Symbol	Conditions	MIN.	TYP.	MAX.	Unit
IEBus operation clock	f _{MCK}	Communication mode 1 (approx. 18 kbps)	7.88	8.00	8.12	MHz
		Communication mode 2 (approx. 27 kbps)				

f_{MCK}: Frequency of the IEBus controller (IEBB0) clock

CHAPTER 20 DTC

The DTC (data transfer controller) is a function that transfers data between memories without using the CPU. The DTC is activated by a peripheral function interrupt to perform data transfers. The DTC and CPU use the same bus, and the DTC takes priority over the CPU in using the bus.

To control DTC data transfers, control data comprised of a transfer source address, a transfer destination address, and operating modes are allocated in the DTC control data area. Each time the DTC is activated, the DTC reads control data to perform data transfers. The DTC control data area is allocated in the RAM space set by the DTCBAR register.

The high-speed transfer is realized by allocating the dedicated control data in the SFR area instead of the RAM area.

20.1 Overview

Table 20-1 lists the DTC specifications.

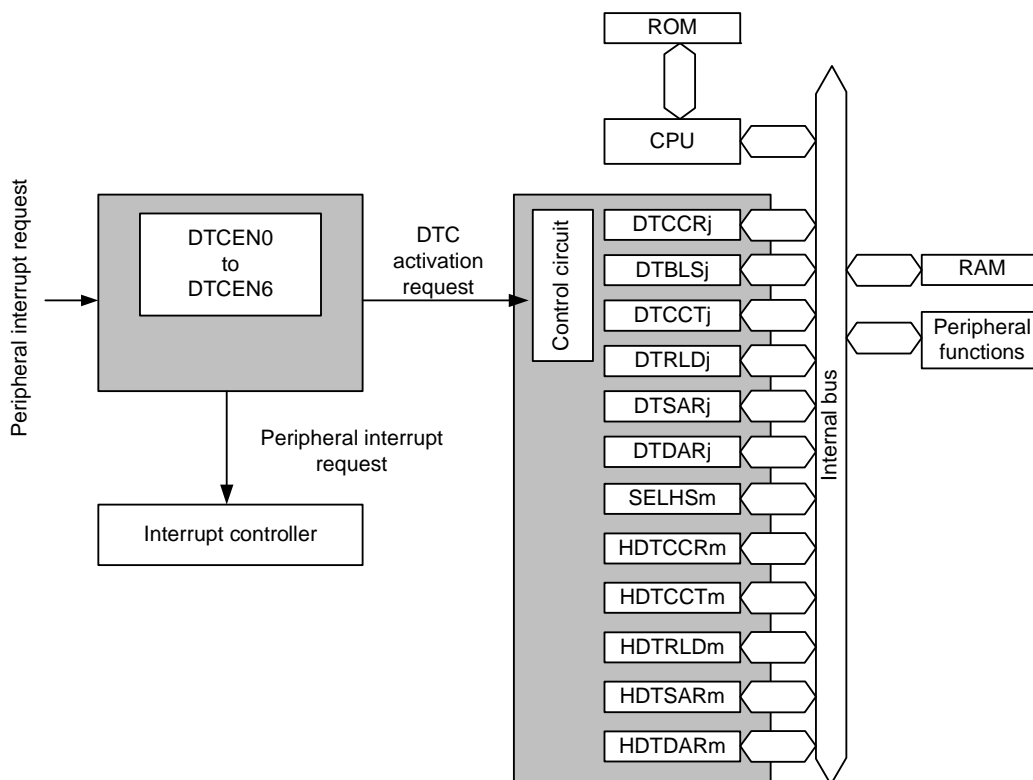
Table 20-1. DTC Specifications

Item		Specification
Activation sources		144-pin: 52 sources max, 100-pin: 50 sources max
Allocatable control data		24 sets/2 sets (high-speed transfer)
Address space which can be transferred	Address space	64 Kbytes (F0000H to FFFFFH), excluding general-purpose registers
	Sources ^{Note 2}	1st SFR area, RAM area (excluding general-purpose registers), mirror area ^{Note 1} , data flash memory area ^{Note 1} , 2nd SFR area
	Destinations	1st SFR area, RAM area (excluding general-purpose registers), 2nd SFR area
Maximum number of transfers	Normal mode	256 times
	Repeat mode	255 times
Maximum size of block to be transferred	Normal mode (8-bit transfer)	256 bytes/1 byte (high-speed transfer)
	Normal mode (16-bit transfer)	512 bytes/2 bytes (high-speed transfer)
	Repeat mode	255 bytes/1 byte at 8-bit transfer (high-speed transfer)/2 bytes at 16-bit transfer (high-speed transfer)
Unit of transfers		8 bits/16 bits
Transfer mode	Normal mode	Transfers end on completion of the transfer causing the DTCCTj and HDTCCtm registers value to change from 1 to 0.
	Repeat mode	On completion of the transfer causing the values of the DTCCTj and HDTCCtm registers to change from 1 to 0, the repeat area address is initialized and the DTRLDj register value is reloaded to the DTCCTj and HDTCCtm registers to continue transfers.
Address control	Normal mode	Fixed or incremented
	Repeat mode	Addresses of the area not selected as the repeat area are fixed or incremented.
Priority of activation sources		Refer to Table 20-5 DTC Activation Sources and DTC Vector Addresses .
Interrupt request	Normal mode	When the data transfer causing the DTCCTj and HDTCCtm registers value to change from 1 to 0 is performed, the activation source interrupt request is generated for the CPU, and interrupt handling is performed on completion of the data transfer.
	Repeat mode	When the data transfer causing the values of the DTCCTj and HDTCCtm registers to change from 1 to 0 is performed while the RPTINT and HRPTINTm bits in the DTCCRj and HDTCRm registers, respectively are 1 (interrupt generation enabled), the activation source interrupt request is generated for the CPU, and interrupt handling is performed on completion of the transfer.
Transfer start		When bits DTCENi0 to DTCENi7 in the DTCENi registers are 1 (activation enabled), data transfer is started each time the corresponding DTC activation sources are generated.
Transfer stop	Normal mode	<ul style="list-style-type: none"> When bits DTCENi0 to DTCENi7 are set to 0 (activation disabled). When the data transfer causing the DTCCTj and HDTCCtm registers value to change from 1 to 0 is completed.
	Repeat mode	<ul style="list-style-type: none"> When bits DTCENi0 to DTCENi7 are set to 0 (activation disabled). When the data transfer causing the values of the DTCCTj and HDTCCtm registers to change from 1 to 0 is completed while the RPTINT bit is 1 (interrupt generation enabled).
Operation in standby mode	HALT state	DTC operates
	SNOOZE state	DTC operates
	STOP state	DTC stops

- Notes 1.** In the HALT, STOP, and SNOOZE modes, these areas cannot be set as the sources for DTC transfer since the flash memory is stopped.
- 2.** High-speed transfer is enabled only for the 1st SFR area and the 2nd SFR area.

Remark $i = 0$ to 6, $j = 0$ to 23, $m = 0, 1$

Figure 20-1. DTC Block Diagram



Remark $j = 0$ to 23, $m = 0, 1$

DTCCRj: DTC control register j
 DTBLSj: DTC block size register j
 DTCCTj: DTC transfer count register j
 DTRLdj: DTC transfer count reload register j
 DTSARj: DTC source address register j
 DTDARj: DTC destination address register j
 DTCEN0 to DTCEN6: DTC activation enable registers 0 to 6
 SELHSm: High-speed DTC channel select register m
 HDTCCRm: High-speed DTC control register m
 HDTCCtm: High-speed DTC transfer count register m
 HDTRLdm: High-speed DTC transfer count reload register m
 HDTSARm: High-speed DTC source address register m
 HDTDARm: High-speed DTC destination address register m

20.2 Registers

Tables 20-2 and 20-4 list the DTC register configuration.

Table 20-2. DTC Register Configuration (1)

Register Name	Symbol	After Reset	Address	Access Size
Peripheral Enable Register 1	PER1	00H	F02C0H	1, 8
DTC Activation Enable Register 0	DTCEN0	00H	F02E8H	1, 8
DTC Activation Enable Register 1	DTCEN1	00H	F02E9H	1, 8
DTC Activation Enable Register 2	DTCEN2	00H	F02EAH	1, 8
DTC Activation Enable Register 3	DTCEN3	00H	F02EBH	1, 8
DTC Activation Enable Register 4	DTCEN4	00H	F02ECH	1, 8
DTC Activation Enable Register 5	DTCEN5	00H	F02EDH	1, 8
DTC Activation Enable Register 6	DTCEN6	00H	F02EEH	1, 8
DTC Base Address Register	DTCBAR	FDH	F02E0H	8

Table 20-3 lists DTC control data.

DTC control data is allocated in the DTC control data area in RAM.

The DTCBAR register is used to set the 256-byte area, including the DTC control data area and the DTC vector table area where the start address for control data is stored.

Table 20-3. DTC Control Data

Register Name	Symbol
DTC Control Register j	DTCCRj
DTC Block Size Register j	DTBLSj
DTC Transfer Count Register j	DTCCTj
DTC Transfer Count Reload Register j	DTRLDj
DTC Source Address Register j	DTSARj
DTC Destination Address Register j	DTDARj

Remark j = 0 to 23

Table 20-4. DTC Register Configuration (2)

Register Name	Symbol	After Reset	Address	Access Size
High-speed DTC Channel Select Register 0	SELHS0	3FH	F02E1H	1, 8
High-speed DTC Channel Select Register 1	SELHS1	3FH	F02E2H	1, 8
High-speed DTC Control Register 0	HDTCCR0	00H	F02D0H	1, 8
High-speed DTC Transfer Count Register 0	HDTCCCT0	00H	F02D2H	1, 8
High-speed DTC Transfer Count Reload Register 0	HDTRLDO	00H	F02D3H	1, 8
High-speed DTC Source Address Register 0	HDTSAR0	00H	F02D4H, F02D5H	16
High-speed DTC Destination Address Register 0	HDTDAR0	00H	F02D6H, F02D7H	16
High-speed DTC Control Register 1	HDTCCR1	00H	F02D8H	1, 8
High-speed DTC Transfer Count Register 1	HDTCCCT1	00H	F02DAH	1, 8
High-speed DTC Transfer Count Reload Register 1	HDTRLDO1	00H	F02DBH	1, 8
High-speed DTC Source Address Register 1	HDTSAR1	00H	F02DCH, F02DDH	16
High-speed DTC Destination Address Register 1	HDTDAR1	00H	F02DEH, F02DFH	16

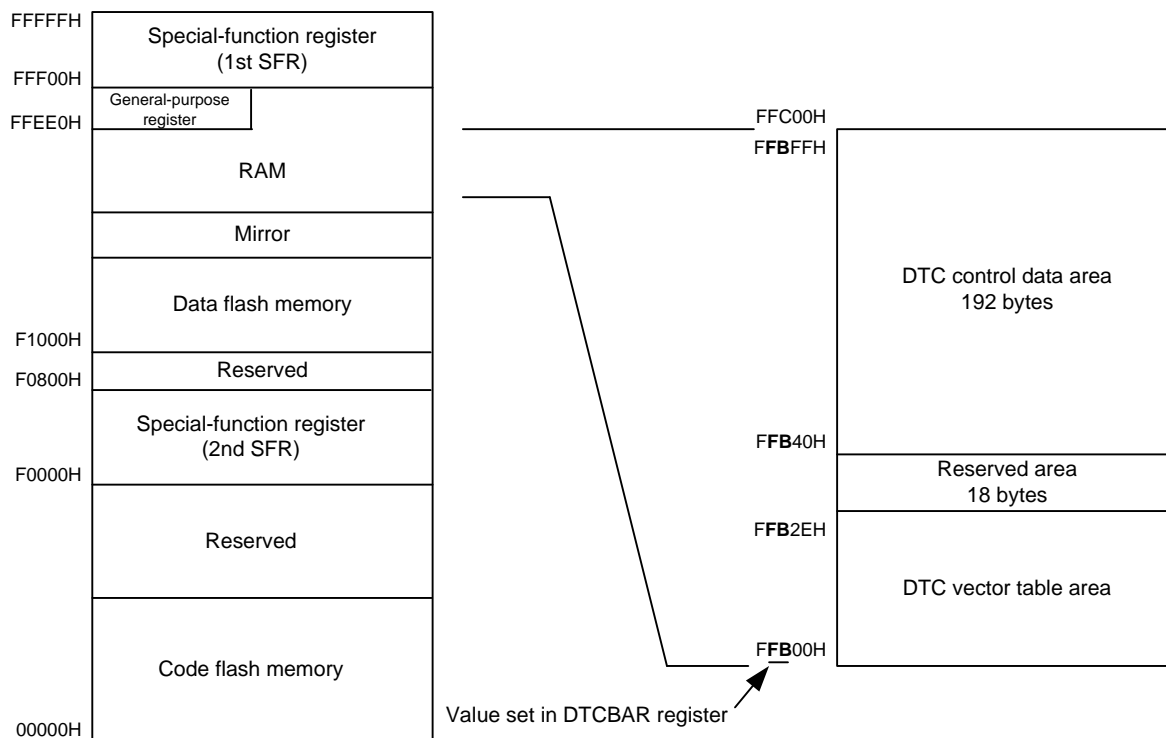
20.2.1 Allocation of DTC Control Data Area and DTC Vector Table Area

The DTCBAR register is used to set the 256-byte area where DTC control data and the vector table within the RAM area.

Figure 20-2 shows a memory map example when DTCBAR register is set to FBH.

In the 192-byte DTC control data area, the space not used by the DTC can be used as RAM.

Figure 20-2. Memory Map Example when DTCBAR Register is Set to FBH



The areas where the DTC control data and vector table can be allocated differ depending on the usage conditions.

- Cautions**
1. It is prohibited to use the general-purpose register (FFF00H to FFEE0H) space as the DTC control data area or DTC vector table area.
 2. The 18-byte area between the DTC vector table area and the DTC control data area is reserved for use when the number of DTC activation sources is expanded.
 3. The internal RAM area in the following products cannot be used as the DTC control data area or DTC vector table area when using the self-programming function and data flash function.
R5F113mL (m = G, L, M, P, T) : F7F00H to F82FFH
 4. The internal RAM area in the following products cannot be used as the DTC control data area or DTC vector table area when using the tracing function of on-chip debugging.
R5F113mL (m = G, L, M, P, T) : F8300H to F84FFH
 5. The internal RAM in the following products cannot be used as stack memory when the hot plug-in function is used or when the DTC is in use for the RRM or DMM function.
R5F113mL (m = G, L, M, P, T) : F8500H to F852FH

20.2.2 DTC Control Data Allocation

Control data is allocated beginning with each start address in the order: Registers DTCCRj, DTBLSj, DTCCTj, DTRLDj, DTSARj, and DTDARj (j = 0 to 23).

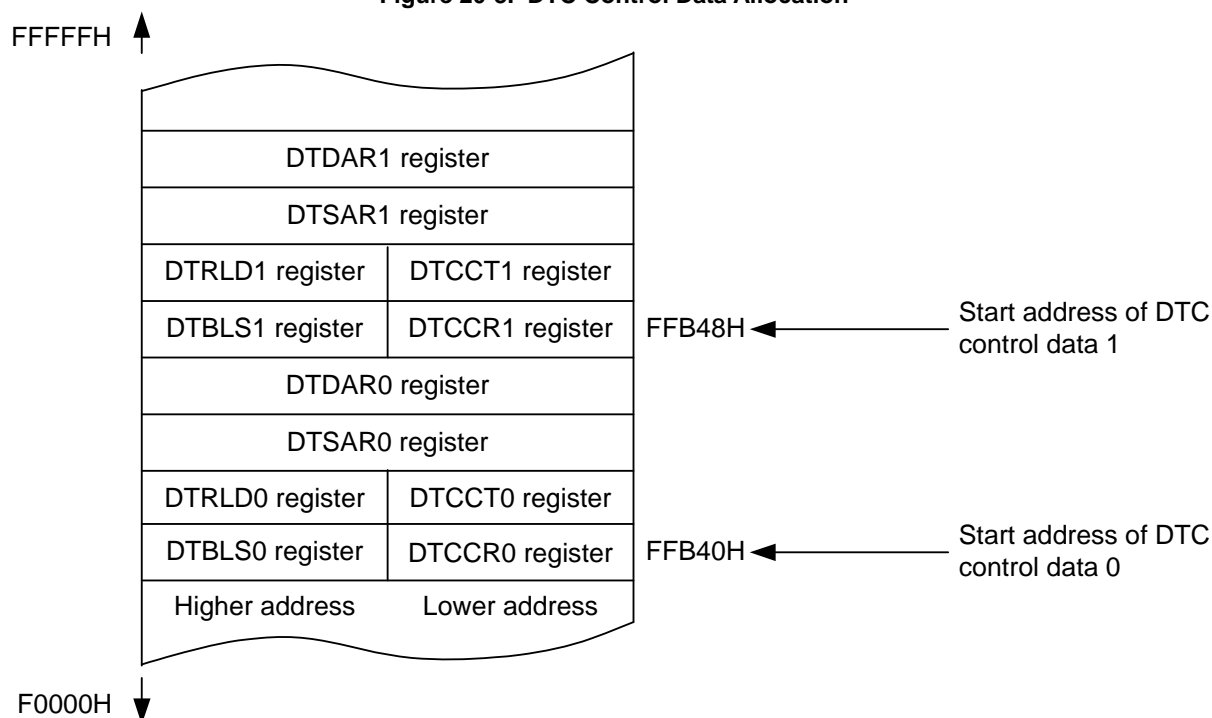
The higher 8 bits for start addresses 0 to 23 are set by the DTCBAR register, and the lower 8 bits are separately set according to the vector table assigned to each activation source.

Figure 20-3 shows an example of DTC control data allocation when the DTCBAR register is set to FBH.

Cautions

- Change the data in registers DTCCRj, DTBLSj, DTCCTj, DTRLDj, DTSARj, and DTDARj when the corresponding bit among bits DTCENi0 to DTCENi7 (i = 0 to 6) in the DTCENi register is set to 0 (DTC activation disabled).
- Do not access DTCCRj, DTBLSj, DTCCTj, DTRLDj, DTSARj, or DTDARj using a DTC transfer.

Figure 20-3. DTC Control Data Allocation



20.2.3 DTC Vector Table

When the DTC is activated, one control data is selected according to the data read from the vector table which has been assigned to each activation source, and the selected control data is read from the DTC control data area.

Table 20-5 lists the DTC activation sources and DTC vector addresses. A one byte of the DTC vector table is assigned to each activation source, and the lower 8 bits for the start address of the DTC control data are stored in each area to select one of the 24 sets. The higher 8 bits for the DTC vector address are set by the DTCBAR register, and 00H to 2DH are allocated to the lower 8 bits corresponding to the DTC activation source.

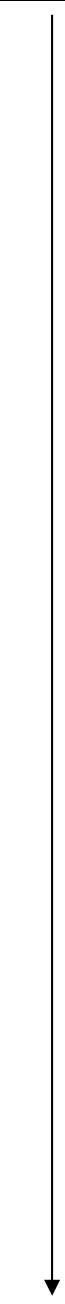
Caution

- Change the start address of the DTC control data area to be set in the vector table when the corresponding bit among bits DTCENi0 to DTCENi7 (i = 0 to 6) in the DTCENi register is set to 0 (DTC activation disabled).

Table 20-5. DTC Activation Sources and DTC Vector Addresses (1/2)

Interrupt Request Source	Source No.	DTC Vector Address	Priority
Reserved	0	Address set in DTCBAR register +00H	Highest ↑
INTP0	1	Address set in DTCBAR register +01H	
INTP1	2	Address set in DTCBAR register +02H	
INTP2	3	Address set in DTCBAR register +03H	
INTP3	4	Address set in DTCBAR register +04H	
INTP4	5	Address set in DTCBAR register +05H	
INTP5	6	Address set in DTCBAR register +06H	
INTP6	7	Address set in DTCBAR register +07H	
Key input	8	Address set in DTCBAR register +08H	
A/D conversion end	9	Address set in DTCBAR register +09H	
UART0 reception transfer end/CSI01 transfer end or buffer empty/IIC01 transfer end	10	Address set in DTCBAR register +0AH	
UART0 transmission transfer end/CSI00 transfer end or buffer empty/IIC00 transfer end	11	Address set in DTCBAR register +0BH	
UART1 reception transfer end/CSI11 transfer end or buffer empty/IIC11 transfer end	12	Address set in DTCBAR register +0CH	
UART1 transmission transfer end/CSI10 transfer end or buffer empty/IIC10 transfer end	13	Address set in DTCBAR register +0DH	
LIN0 reception end	14	Address set in DTCBAR register +0EH	
LIN0 transmission start/end	15	Address set in DTCBAR register +0FH	
CAN0 reception end	16	Address set in DTCBAR register +10H	
CAN1 reception end	17	Address set in DTCBAR register +11H	
End of channel 0 of timer array unit 0 count or capture	18	Address set in DTCBAR register +12H	
End of channel 1 of timer array unit 0 count or capture	19	Address set in DTCBAR register +13H	
End of channel 2 of timer array unit 0 count or capture	20	Address set in DTCBAR register +14H	
End of channel 3 of timer array unit 0 count or capture	21	Address set in DTCBAR register +15H	
End of channel 4 of timer array unit 0 count or capture	22	Address set in DTCBAR register +16H	
End of channel 5 of timer array unit 0 count or capture	23	Address set in DTCBAR register +17H	
End of channel 6 of timer array unit 0 count or capture	24	Address set in DTCBAR register +18H	
End of channel 7 of timer array unit 0 count or capture	25	Address set in DTCBAR register +19H	

Table 20-5. DTC Activation Sources and DTC Vector Addresses (2/2)

Interrupt Request Source	Source No.	DTC Vector Address	Priority
Timer RD compare match A0	26	Address set in DTCBAR register +1AH	
Timer RD compare match B0	27	Address set in DTCBAR register +1BH	
Timer RD compare match C0	28	Address set in DTCBAR register +1CH	
Timer RD compare match D0	29	Address set in DTCBAR register +1DH	
Timer RD compare match A1	30	Address set in DTCBAR register +1EH	
Timer RD compare match B1	31	Address set in DTCBAR register +1FH	
Timer RD compare match C1	32	Address set in DTCBAR register +20H	
Timer RD compare match D1	33	Address set in DTCBAR register +21H	
Timer RJ0	34	Address set in DTCBAR register +22H	
Comparator detection 0	35	Address set in DTCBAR register +23H	
End of channel 0 of timer array unit 1 count or capture	36	Address set in DTCBAR register +24H	
End of channel 1 of timer array unit 1 count or capture	37	Address set in DTCBAR register +25H	
End of channel 2 of timer array unit 1 count or capture	38	Address set in DTCBAR register +26H	
End of channel 3 of timer array unit 1 count or capture	39	Address set in DTCBAR register +27H	
LIN1 reception end	40	Address set in DTCBAR register +28H	
LIN1 transmission start/end	41	Address set in DTCBAR register +29H	
End of channel 4 of timer array unit 1 count or capture	42	Address set in DTCBAR register +2AH	
End of channel 5 of timer array unit 1 count or capture	43	Address set in DTCBAR register +2BH	
End of channel 6 of timer array unit 1 count or capture	44	Address set in DTCBAR register +2CH	
End of channel 7 of timer array unit 1 count or capture	45	Address set in DTCBAR register +2DH	
LIN2 reception end	46	Address set in DTCBAR register +2EH	
LIN2 reception start/transmission end	47	Address set in DTCBAR register +2FH	
UART2 reception transfer end/CSI21 transfer end or buffer empty	48	Address set in DTCBAR register +30H	
UART2 reception transfer end/CSI20 transfer end or buffer empty	49	Address set in DTCBAR register +31H	
IEBus data interrupt	50	Address set in DTCBAR register +32H	
INTP14	51	Address set in DTCBAR register +33H	
INTP15	52	Address set in DTCBAR register +34H	

20.2.4 Peripheral enable register 1 (PER1)

The PER1 register is used to enable or disable supplying the clock to the peripheral hardware. Clock supply to the hardware that is not used is also stopped so as to decrease the power consumption and noise.

When using the DTC, be sure to set bit 3 (DTCEN) to 1.

The PER1 register can be set by a 1-bit or 8-bit memory manipulation instruction.

Reset signal generation clears this register to 00H.

Figure 20-4. Format of Peripheral Enable Register 1 (PER1)

Address: F02C0H After reset: 00H R/W

Symbol	<7>	6	<5>	<4>	<3>	<2>	<1>	<0>
PER1	DACEN	0	CMPEN	TRD0EN Note 1	DTCEN	TAU2EN Note 2	SAU2EN Note 3	TRJ0EN

DACEN	Control of D/A converter input clock supply
0	Stops input clock supply. • SFR used by the D/A converter cannot be written. • The D/A converter is in the reset status.
1	Enables input clock supply. • SFR used by the D/A converter can be read and written.

CMPEN	Control of comparator input clock supply
0	Stops input clock supply. • SFR used by comparator cannot be written. • Comparator is in the reset status.
1	Enables input clock supply. • SFR used by comparator can be read and written.

TRD0EN Note1	Control of timer RD input clock supply
0	Stops input clock supply. • SFR used by timer RD cannot be written. • Timer RD is in the reset status.
1	Enables input clock supply. • SFR used by timer RD can be read and written.

DTCEN	Control of DTC input clock supply
0	Stops input clock supply. • DTC cannot run.
1	Enables input clock supply. • DTC can run.

TAU2EN Note 2	Control of timer array unit 2 input clock supply
0	Stops input clock supply. • SFR used by timer array unit 2 cannot be written. • Timer array unit 2 is in the reset status.
1	Enables input clock supply. • SFR used by timer array unit 2 can be read and written.

SAU2EN Note 3	Control of serial array unit 2 input clock supply
0	Stops input clock supply. <ul style="list-style-type: none"> • SFR used by the serial array unit 2 cannot be written. • The serial array unit 2 is in the reset status.
1	Enables input clock supply. <ul style="list-style-type: none"> • SFR used by the serial array unit 2 can be read and written.

TRJ0EN	Control of timer RJ input clock supply
0	Stops input clock supply. <ul style="list-style-type: none"> • SFR used by timer RJ cannot be written. • Timer RJ is in the reset status.
1	Enables input clock supply. <ul style="list-style-type: none"> • SFR used by timer RJ can be read and written.

- Note**
1. When FRQSEL4 = 1 in the user option byte (000C2H/020C2H), set f_{CLK} to f_{IH} before setting the bit TRD0EN. When changing f_{CLK} to a clock other than f_{IH} , clear the bit TRD0EN before changing.
 2. 144-pin products only. 0 must be set for the other products.
 3. 144-pin and 100-pin products only. 0 must be set for the other products.

Caution Be sure to clear the bit 6.

20.2.5 DTC Activation Enable Register i (DTCENi) (i = 0 to 6)

This is an 8-bit register which enables or disables DTC activation by interrupt sources. Table 20-6 lists the correspondence between interrupt sources and bits DTCENi0 to DTCENi7.

Set the DTCENi register by an 8-bit or 1-bit memory manipulation instruction.

- Notes 1.** Modify bits DTCENi0 to DTCENi7 if an activation source corresponding to the bit has not been generated.
- 2.** Do not access the DTCENi register using a DTC transfer.

Figure 20-5. DTC Activation Enable Register i (DTCENi) (i = 0 to 6)

Address: F02E8H (DTCEN0), F02E9H (DTCEN1), F02EAH (DTCEN2), F02EBH (DTCEN3), F02ECH (DTCEN4), F02EDH (DTCEN5), F02EEH(DTCEN6) After reset: 00H

Symbol	<7>	<6>	<5>	<4>	<3>	<2>	<1>	<0>
DTCENi	DTCENi7	DTCENi6	DTCENi5	DTCENi4	DTCENi3	DTCENi2	DTCENi1	DTCENi0

DTCENi7	DTC activation enable i7	R/W
0	Activation disabled	R/W
1	Activation enabled	
The DTCENi7 bit is set to 0 (activation disabled) by a condition for generating a transfer end interrupt.		

DTCENi6	DTC activation enable i6	R/W
0	Activation disabled	R/W
1	Activation enabled	
The DTCENi6 bit is set to 0 (activation disabled) by a condition for generating a transfer end interrupt.		

DTCENi5	DTC activation enable i5	R/W
0	Activation disabled	R/W
1	Activation enabled	
The DTCENi5 bit is set to 0 (activation disabled) by a condition for generating a transfer end interrupt.		

DTCENi4	DTC activation enable i4	R/W
0	Activation disabled	R/W
1	Activation enabled	
The DTCENi4 bit is set to 0 (activation disabled) by a condition for generating a transfer end interrupt.		

DTCENi3	DTC activation enable i3	R/W
0	Activation disabled	R/W
1	Activation enabled	
The DTCENi3 bit is set to 0 (activation disabled) by a condition for generating a transfer end interrupt.		

DTCENi2	DTC activation enable i2	R/W
0	Activation disabled	R/W
1	Activation enabled	
The DTCENi2 bit is set to 0 (activation disabled) by a condition for generating a transfer end interrupt.		

DTCENi1	DTC activation enable i1	R/W
0	Activation disabled	R/W
1	Activation enabled	
The DTCENi1 bit is set to 0 (activation disabled) by a condition for generating a transfer end interrupt.		

DTCENi0	DTC activation enable i0	R/W
0	Activation disabled	R/W
1	Activation enabled	
The DTCENi0 bit is set to 0 (activation disabled) by a condition for generating a transfer end interrupt.		

Table 20-6. Correspondences between Interrupt Sources and Bits DTCENi0 to DTCENi7

Register	DTCENi7 Bit	DTCENi6 Bit	DTCENi5 Bit	DTCENi4 Bit	DTCENi3 Bit	DTCENi2 Bit	DTCENi1 Bit	DTCENi0 Bit
DTCEN0	Reserved	INTP0	INTP1	INTP2	INTP3	INTP4	INTP5	INTP6
DTCEN1	Key input	A/D conversion end	UART0 reception transfer end/CSI01 transfer end or buffer empty/IIC01 transfer end	UART0 transmission transfer end/CSI00 transfer end or buffer empty/IIC00 transfer end	UART1 reception transfer end/CSI11 transfer end or buffer empty/IIC11 transfer end	UART1 transmission transfer end/CSI10 transfer end or buffer empty/IIC10 transfer end	LIN0 reception end	LIN0 transmission start/transmission end
DTCEN2	CAN0 reception end	CAN1 reception end	End of channel 0 of timer array unit 0 count or capture	End of channel 1 of timer array unit 0 count or capture	End of channel 2 of timer array unit 0 count or capture	End of channel 3 of timer array unit 0 count or capture	End of channel 4 of timer array unit 0 count or capture	End of channel 5 of timer array unit 1 count or capture
DTCEN3	End of channel 6 of timer array unit 0 count or capture	End of channel 7 of timer array unit 0 count or capture	Timer RD compare match A0	Timer RD compare match B0	Timer RD compare match C0	Timer RD compare match D0	Timer RD compare match A1	Timer RD compare match B1
DTCEN4	Timer RD compare match C1	Timer RD compare match D1	Timer RJ0	Comparator detection 0	End of channel 0 of timer array unit 1 count or capture	End of channel 1 of timer array unit 1 count or capture	End of channel 2 of timer array unit 1 count or capture	End of channel 3 of timer array unit 1 count or capture
DTCEN5	LIN1 reception end	LIN1 transmission start/ transmission end	End of channel 4 of timer array unit 1 count or capture	End of channel 5 of timer array unit 1 count or capture	End of channel 6 of timer array unit 1 count or capture	End of channel 7 of timer array unit 1 count or capture	LIN2 reception end	LIN2 transmission start/ transmission end
DTCEN6	UART2 reception transfer end/CSI21 transfer end or buffer empty	UART2 transmission transfer end/CSI20 transfer end or buffer empty	IEBus data interrupt	INTP14	INTP15	Reserved	Reserved	Reserved

Remark i = 0 to 6

- Cautions**
1. Bits 0 to 2 of DTCEN6 register are reserved in 144-pin products. Be sure to write these bits to 0. These bits always return 0s when read.
 2. Bits 0 to 4 of DTCEN6 register are reserved in 100-pin products. Be sure to write these bits to 0. These bits always return 0s when read.
 3. Bits 0 to 4, 6, and 7 of DTCEN6 register are reserved in 80-pin, 64-pin, and 48-pin products. Be sure to write these bits to 0. These bits always return 0s when read.

20.2.6 DTC Base Address Register (DTCBAR)

This is an 8-bit register used to set the following addresses: the vector address where the start address of the DTC control data area is stored and the address of the DTC control data area. The value of the DTCBAR register is handled as the higher 8 bits to generate a 16-bit address.

- Cautions**
1. **Modify the DTCBAR register value with all DTC activation sources set to activation disabled.**
 2. **Do not rewrite the DTCBAR register more than once.**
 3. **Do not access the DTCBAR register using a DTC transfer.**
 4. **For the allocation of the DTC control data area and the DTC vector table area, refer to 20.2.1 Allocation of DTC Control Data Area and DTC Vector Table Area.**

Figure 20-6. Format of DTC Base Address Register (DTCBAR)

Address: F02E0H After reset: FDH

Symbol	7	6	5	4	3	2	1	0
DTCBAR	DTCBAR7	DTCBAR6	DTCBAR5	DTCBAR4	DTCBAR3	DTCBAR2	DTCBAR1	DTCBAR0

20.2.7 DTC Control Register j (DTCCRj) (j = 0 to 23)

The DTCCRj register is used to control the DTC operating mode.

Figure 20-7. Format of DTC Control Register j (DTCCRj)

Address: Refer to **20.2.2 DTC Control Data Allocation**. After reset: Undefined

Symbol	7	6	5	4	3	2	1	0
DTCCRj	0	SZ	RPTINT	CHNE	DAMOD	SAMOD	RPTSEL	MODE
Bit 7	Reserved							R/W
0	Set to 0.							R/W
SZ	Data size selection							R/W
0	8 bits							R/W
1	16 bits							
RPTINT	Enabling/disabling repeat mode interrupts							R/W
0	Interrupt generation disabled							R/W
1	Interrupt generation enabled							
The setting of the RPTINT bit is invalid when the MODE bit is 0 (normal mode).								
CHNE	Enabling/disabling chain transfers							R/W
0	Chain transfers disabled							R/W
1	Chain transfers enabled							
Set the CHNE bit in the DTCCR23 register to 0 (chain transfers disabled).								
DAMOD	Transfer destination address control							R/W
0	Fixed							R/W
1	Incremented							
The setting of the DAMOD bit is invalid when the MODE bit is 1 (repeat mode) and the RPTSEL bit is 0 (transfer destination is the repeat area).								
SAMOD	Transfer source address control							R/W
0	Fixed							R/W
1	Incremented							
The setting of the SAMOD bit is invalid when the MODE bit is 1 (repeat mode) and the RPTSEL bit is 1 (transfer source is the repeat area).								
RPTSEL	Repeat area selection							R/W
0	Transfer destination is the repeat area							R/W
1	Transfer source is the repeat area							
The setting of the RPTSEL bit is invalid when the MODE bit is 0 (normal mode).								
MODE	Transfer mode selection							R/W
0	Normal mode							R/W
1	Repeat mode							

Caution Do not access the DTCCRj register using a DTC transfer.

20.2.8 DTC Block Size Register j (DTBLSj) (j = 0 to 23)

This register is used to set the block size of the data to be transferred by one activation.

Figure 20-8. Format of DTC Block Size Register j (DTBLSj)

Address: Refer to 20.2.2 DTC Control Data Allocation. After reset: Undefined

Symbol	7	6	5	4	3	2	1	0
DTBLSj	DTBLSj7	DTBLSj6	DTBLSj5	DTBLSj4	DTBLSj3	DTBLSj2	DTBLSj1	DTBLSj0

DTBLSj	Transfer Block Size		R/W
	8-Bit Transfer	16-Bit Transfer	
00H	256 bytes	512 bytes	R/W
01H	1 byte	2 bytes	
02H	2 bytes	4 bytes	
03H	3 bytes	6 bytes	
.	.	.	
.	.	.	
.	.	.	
FDH	253 bytes	506 bytes	
FEH	254 bytes	508 bytes	
FFH	255 bytes	510 bytes	

Caution Do not access the DTBLSj register using a DTC transfer.

20.2.9 DTC Transfer Count Register j (DTCCTj) (j = 0 to 23)

This register is used to set the number of DTC data transfers. The value is decremented by 1 each time DTC transfer is activated once.

Figure 20-9. Format of DTC Transfer Count Register j (DTCCTj)

Address: Refer to 20.2.2 DTC Control Data Allocation. After reset: Undefined

Symbol	7	6	5	4	3	2	1	0
DTCCTj	DTCCTj7	DTCCTj6	DTCCTj5	DTCCTj4	DTCCTj3	DTCCTj2	DTCCTj1	DTCCTj0

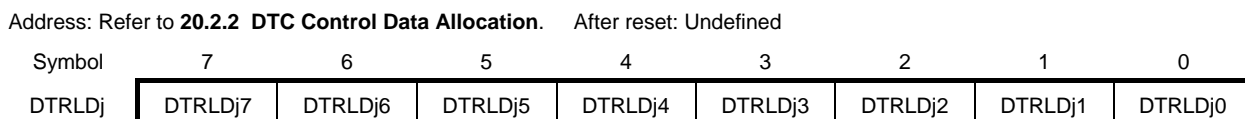
DTCCTj	Number of Transfers	R/W
00H	256 times	R/W
01H	Once	
02H	2 times	
03H	3 times	
.	.	
.	.	
.	.	
FDH	253 times	
FEH	254 times	
FFH	255 times	

Caution Do not access the DTCCTj register using a DTC transfer.

20.2.10 DTC Transfer Count Reload Register j (DTRLDj) (j = 0 to 23)

This register is used to set the initial value of the transfer count register in repeat mode. Since the value of this register is reloaded to the DTCCT register in repeat mode, set the same value as the initial value of the DTCCT register.

Figure 20-10. Format of DTC Transfer Count Reload Register j (DTRLDj)



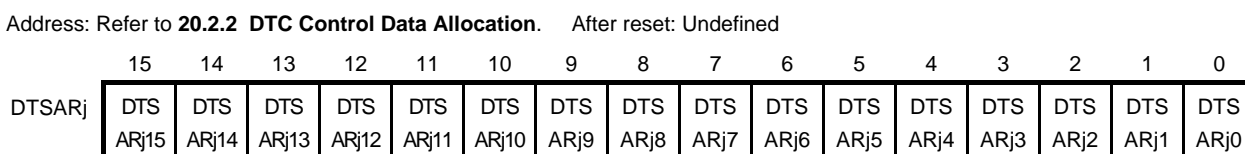
Caution Do not access the DTRLDj register using a DTC transfer.

20.2.11 DTC Source Address Register j (DTSARj) (j = 0 to 23)

This register is used to specify the transfer source address for data transfer.

When the SZ bit in the DTCCRj register is set to 1 (16-bit transfer), the lowest bit is ignored and the address is handled as an even address.

Figure 20-11. Format of DTC Source Address Register j (DTSARj)



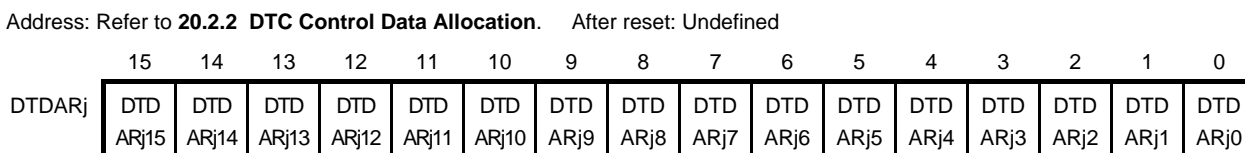
- Cautions**
1. Do not set the general-purpose register (FFEE0H to FFEFFH) space to the transfer source address.
 2. Do not access the DTSARj register using a DTC transfer.

20.2.12 DTC Destination Address Register j (DTDARj) (j = 0 to 23)

This register is used to specify the transfer destination address for data transfer.

When the SZ bit in the DTCCRj register is set to 1 (16-bit transfer), the lowest bit is ignored and the address is handled as an even address.

Figure 20-12. Format of DTC Destination Address Register j (DTDARj)

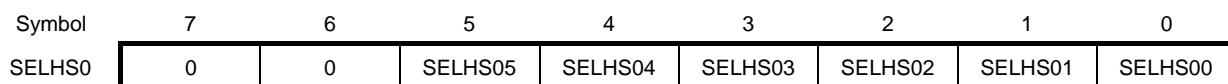


- Cautions**
1. Do not set the general-purpose register (FFEE0H to FFEFFH) space to the transfer source address.
 2. Do not access the DTDARj register using a DTC transfer.

20.2.13 High-speed DTC Channel Select Register 0 (SELHS0)

The SELHS0 register is used to select the high-speed DTC channel.

Figure 20-13. Format of High-speed DTC Channel Select Register 0 (SELHS0)



The SELHS0 register can be set with an 8-bit or 1-bit memory manipulation instruction, not set with a 16-bit memory manipulation instruction.

After reset: 3FH

Address: F02E1H

Correspondence between the activation sources and SELHS0i (i = 0 to 5) bits is shown below.

SELHS05 to SELHS00						Description
0	0	0	0	0	0	Activation source number 0 is selected as high-speed channel 0.
0	0	0	0	0	1	Activation source number 1 is selected as high-speed channel 0.
0	0	0	0	1	1	Activation source number 2 is selected as high-speed channel 0.
	:					:
	:					:
1	1	0	0	1	0	Activation source number 50 is selected as high-speed channel 0.
1	1	0	0	1	1	Activation source number 51 is selected as high-speed channel 0. ^{Note}
1	1	0	1	0	0	Activation source number 52 is selected as high-speed channel 0. ^{Note}
1	1	1	1	1	1	High-speed channel 0 is not used.
Other than above						Setting prohibited

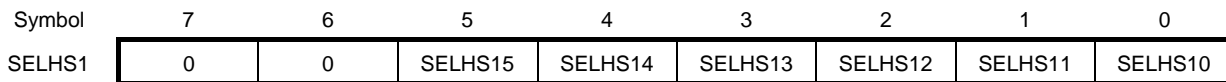
Note 144-pin products only.

- Cautions**
1. Modify the data of the SELHS0 register when the corresponding bit among bits DTCENi0 to DTCENi7 in the DTCENi (i = 0 to 6) register is 0 (DTC activation disabled).
 2. Do not access the SELHS0 register using a DTC transfer.

20.2.14 High-speed DTC Channel Select Register 1 (SELHS1)

The SELHS1 register is an 8-bit register that is used to select the high-speed DTC channel.

Figure 20-14. Format of High-speed DTC Channel Select Register 1 (SELHS1)



The SELHS1 register can be set with an 8-bit or 1-bit memory manipulation instruction, not set with a 16-bit memory manipulation instruction.

After reset: 3FH

Address: F02E2H

Correspondence between the activation sources and SELHS1i (i = 0 to 5) bits is shown below.

SELHS15 to SELHS10						Description
0	0	0	0	0	0	Activation source number 0 is selected as high-speed channel 1.
0	0	0	0	0	1	Activation source number 1 is selected as high-speed channel 1.
0	0	0	0	1	1	Activation source number 2 is selected as high-speed channel 1.
:						:
:						:
1	1	0	0	1	0	Activation source number 50 is selected as high-speed channel 1.
1	1	0	0	1	1	Activation source number 51 is selected as high-speed channel 1. ^{Note}
1	1	0	1	0	0	Activation source number 52 is selected as high-speed channel 1. ^{Note}
1	1	1	1	1	1	High-speed channel 1 is not used.
Other than above						Setting prohibited

Note 144-pin products only.

- Cautions**
1. Modify the data of the SELHS1 register when the corresponding bit among bits DTCENi0 to DTCENi7 in the DTCENi (i = 0 to 6) register is 0 (DTC activation disabled).
 2. Do not access the SELHS1 register using a DTC transfer.

20.2.15 High-speed DTC Control Register m (HDTCCR0/1) (m = 0, 1)

The HDTCCRm register is used to control the high-speed DTC transfer operating mode.

Figure 20-15. Format of High-speed DTC Control Register m (HDTCCRm)

Address: F02D0H (HDTCCR0), F02D8H (HDTCCR1) After reset: 00H

Symbol	7	<6>	<5>	<4>	<3>	<2>	<1>	<0>
HDTCCRm	0	HSZm	HRPTINTm	HCHNEm	HDAMODm	HSAMODm	HRPTSELM	HMODEm

Bit 7	Reserved	R/W
0	Set to 0.	R/W

HSZm	Data size selection	R/W
0	8 bits	R/W
1	16 bits	

HRPTINTm	Enabling/disabling repeat mode interrupts	R/W
0	Interrupt generation disabled	R/W
1	Interrupt generation enabled	
The setting of the HRPTINTm bit is invalid when the HMODEm bit is 0 (normal mode).		

HCHNEm	Enabling/disabling chain transfers	R/W
0	Chain transfers disabled	R/W
1	Chain transfers enabled	
Set the CHNE bit in the DTCCR23 register to 0 (chain transfers disabled). Set the HCHNEm bit to 0 (chain transfers disabled) when the activation source number is set to the maximum value by the SELHSm register.		

HDAMODm	Transfer destination address control	R/W
0	Fixed	R/W
1	Incremented	
The setting of the HDAMODm bit is invalid when the HMODEm bit is 1 (repeat mode) and the HRPTSELM bit is 0 (transfer destination is the repeat area).		

HSAMODm	Transfer source address control	R/W
0	Fixed	R/W
1	Incremented	
The setting of the HSAMODm bit is invalid when the HMODEm bit is 1 (repeat mode) and the HRPTSELM bit is 1 (transfer source is the repeat area).		

HRPTSELM	Repeat area selection	R/W
0	Transfer destination is the repeat area	R/W
1	Transfer source is the repeat area	
The setting of the HRPTSELM bit is invalid when the HMODEm bit is 0 (normal mode).		

HMODEm	Transfer mode selection	R/W
0	Normal mode	R/W
1	Repeat mode	

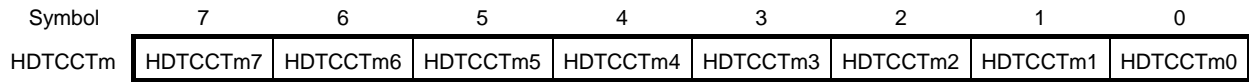
Caution Do not access the HDTCCRm register using a high-speed DTC transfer.

20.2.16 High-speed DTC Transfer Count Register m (HDTCCCT0/1) (m = 0, 1)

This register is used to set the number of high-speed DTC data transfers. The value is decremented by 1 each time DTC transfer is activated once.

Figure 20-16. Format of High-speed DTC Transfer Count Register m (HDTCCCTm)

Address: F02D2H (HDTCCCT0), F02DAH (HDTCCCT1) After reset: 00H



HDTCCCTm	Number of Transfers	R/W
00H	256 times	R/W
01H	Once	
02H	2 times	
03H	3 times	
.	.	
.	.	
.	.	
FDH	253 times	
FEH	254 times	
FFH	255 times	

Caution Do not access the HDTCCCTm register using a high-speed DTC transfer.

20.2.17 DTC Transfer Count Reload Register m (HDTRLD0/1) (m = 0, 1)

This register is used to set the initial value of the transfer count register in repeat mode. Since the value of this register is reloaded to the HDTCCm register in repeat mode, set the same value as the initial value of the HDTCCm register.

Figure 20-17. Format of High-speed DTC Transfer Count Reload Register m (HDTRLDm)

Address: F02D3H (HDTRLD0), F02DBH (HDTRLD1) After reset: 00H

Symbol	7	6	5	4	3	2	1	0
HDTRLDm	HDTRLDm7	HDTRLDm6	HDTRLDm5	HDTRLDm4	HDTRLDm3	HDTRLDm2	HDTRLDm1	HDTRLDm0

Caution Do not access the HDTRLDm register using a high-speed DTC transfer.

20.2.18 High-speed DTC Source Address Register m (HDT SAR0/1) (m = 0, 1)

Only the 1st SFR area and the 2nd SFR area can be set for the source address for high-speed transfer.

Set the lower 12-bit addresses of the HDT SARm.

The higher 4 bits are read as 0.

Figure 20-18. Format of High-speed DTC Source Address Register m (HDT SARm)

Address: F02D4H, F02D5H (HDT SAR0), F02DCH, F02DDH (HDT SAR1) After reset: 0000H

	15	14	13	12	11	10	9	8	7	6	5	4	3	2	1	0
HDT SARm	0	0	0	0	HDT SARm11	HDT SARm10	HDT SARm9	HDT SARm8	HDT SARm7	HDT SARm6	HDT SARm5	HDT SARm4	HDT SARm3	HDT SARm2	HDT SARm1	HDT SARm0

- Cautions**
1. Do not set the general-purpose register (FFEE0H to FFEFFH) space to the transfer source address.
 2. Do not access the HDT SARm register using a high-speed DTC transfer.

20.2.19 High-speed DTC Destination Address Register m (HDT DAR0/1) (m = 0, 1)

This register is used to specify the transfer destination address for data transfer.

Figure 20-19. Format of High-speed DTC Destination Address Register m (HDT DARm)

Address: F02D6H, F02D7H (HDT DAR0), F02DEH, F02DFH (HDT DAR1) After reset: 0000H

	15	14	13	12	11	10	9	8	7	6	5	4	3	2	1	0
HDT DARm	HDT DARm15	HDT DARm14	HDT DARm13	HDT DARm12	HDT DARm11	HDT DARm10	HDT DARm9	HDT DARm8	HDT DARm7	HDT DARm6	HDT DARm5	HDT DARm4	HDT DARm3	HDT DARm2	HDT DARm1	HDT DARm0

- Cautions**
1. Do not set the general-purpose register (FFEE0H to FFEFFH) space to the transfer destination address.
 2. Do not access the HDT DARm register using a high-speed DTC transfer.

20.3 Operation

When the DTC is activated, control data is read from the DTC control data area to perform data transfers and control data after data transfer is written back to the DTC control data area. Twenty-four sets of control data can be stored in the DTC control data area, which allows 24 types of data transfers to be performed.

There are two transfer modes (normal mode and repeat mode) and two transfer sizes (8-bit transfer and 16-bit transfer). When the CHNE bit in the DTCCRj (j = 0 to 23) register is set to 1 (chain transfers enabled), multiple control data is read and data transfers are continuously performed by one activation source (chain transfers).

A transfer source address is specified by the 16-bit register DTSARj, and a transfer destination address is specified by the 16-bit register DTDARj.

The values in registers DTSARj and DTDARj are separately incremented or fixed according to the control data after the data transfer.

This product supports high-speed transfer operation. The high-speed transfer can be realized by allocating the dedicated control data to the SFR area instead of the RAM area. To perform basic operation, normal mode requires five clock cycles to read vector and control data, while high-speed transfer requires one cycle. In addition, to write back control data, normal mode requires a maximum of three clock cycles, while high-speed transfer requires one cycle.

20.3.1 Activation Sources

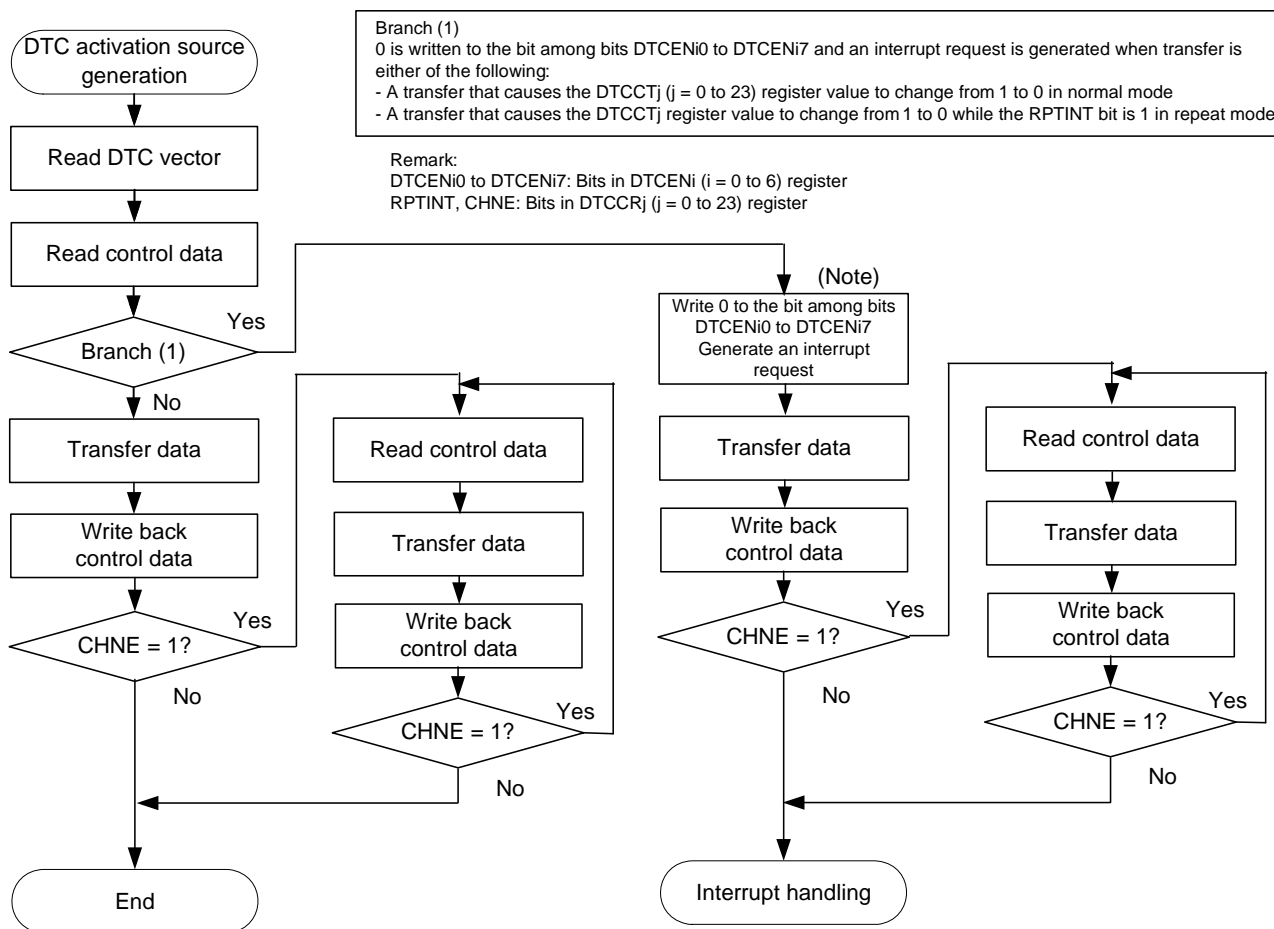
The DTC is activated by an interrupt signal from the peripheral functions. The interrupt signals to activate the DTC are selected with the DTCENi (i = 0 to 6) register.

The DTC sets the corresponding bit among bits DTCENi0 to DTCENi7 in the DTCENi register to 0 (activation disabled) during operation when the setting of data transfer (the first transfer in chain transfers) is either of the following:

- A transfer that causes the DTCCTj (j = 0 to 23) register value to change to 0 in normal mode
- A transfer that causes the DTCCTj register value to change to 0 while the RPTINT bit in the DTCCRj register is 1 (interrupt generation enabled) in repeat mode

Figure 20-20 shows the DTC internal operation flowchart.

Figure 20-20. DTC Internal Operation Flowchart



Note. 0 is not written to the bit among bits DTCENi0 to DTCENi7 for data transfers activated by the setting to enable chain transfers (the CHNE bit is 1). Also, no interrupt request is generated.

20.3.2 Normal Mode

One to 256 bytes of data are transferred by one activation during 8-bit transfer and 2 to 512 bytes during 16-bit transfer. The number of transfers can be 1 to 256 times. When the data transfer causing the DTCCTj (j = 0 to 23) register value to change to 0 is performed, the DTC generates an interrupt request corresponding to the activation source to the interrupt controller during DTC operation, and sets the corresponding bit among bits DTCENi0 to DTCENi7 (i = 0 to 6) in the DTCENi register to 0 (activation disabled).

Table 20-7 shows register functions in normal mode. Figure 20-21 shows data transfers in normal mode.

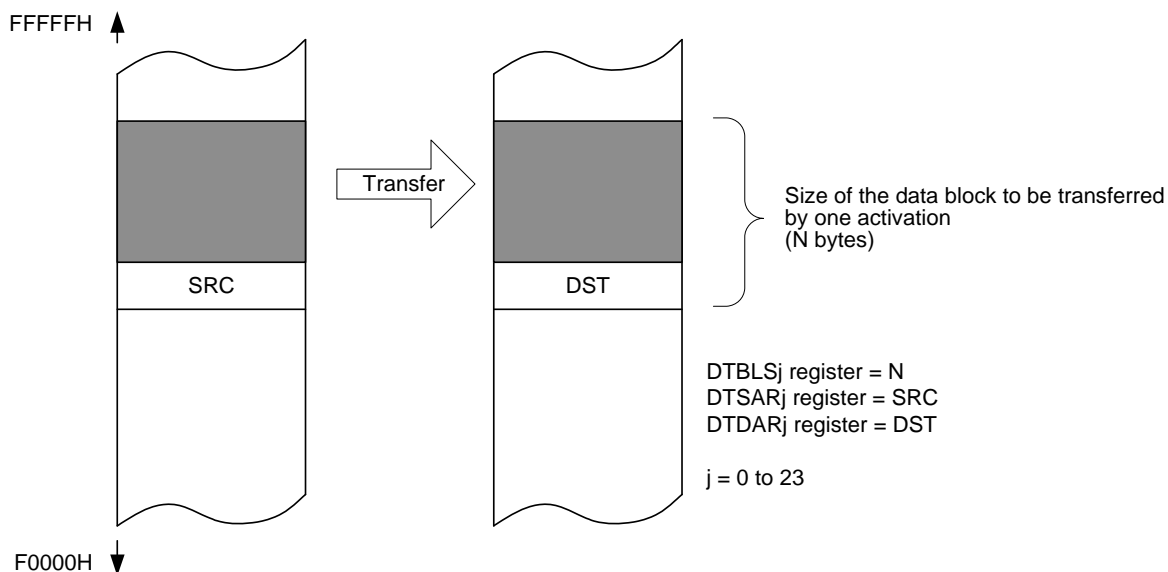
Table 20-7. Register Functions in Normal Mode

Register Name	Symbol	Function
DTC block size register j	DTBLSj	Size of the data block to be transferred by one activation
DTC transfer count register j	DTCCTj	Number of data transfers
DTC transfer count reload register j	DTRLdj	Not used ^{Note}
DTC source address register j	DTSARj	Data transfer source address
DTC destination address register j	DTDARj	Data transfer destination address

Note Initialize DTRLdj register with any desired value because the control data are read.

Remark j = 0 to 23

Figure 20-21. Data Transfers in Normal Mode



DTCCR Register Setting				Source Address Control	Destination Address Control	Source Address after Transfer	Destination Address after Transfer
DAMOD	SAMOD	RPTSEL	MODE				
0	0	X	0	Fixed	Fixed	SRC	DST
0	1	X	0	Incremented	Fixed	SRC + N	DST
1	0	X	0	Fixed	Incremented	SRC	DST + N
1	1	X	0	Incremented	Incremented	SRC + N	DST + N

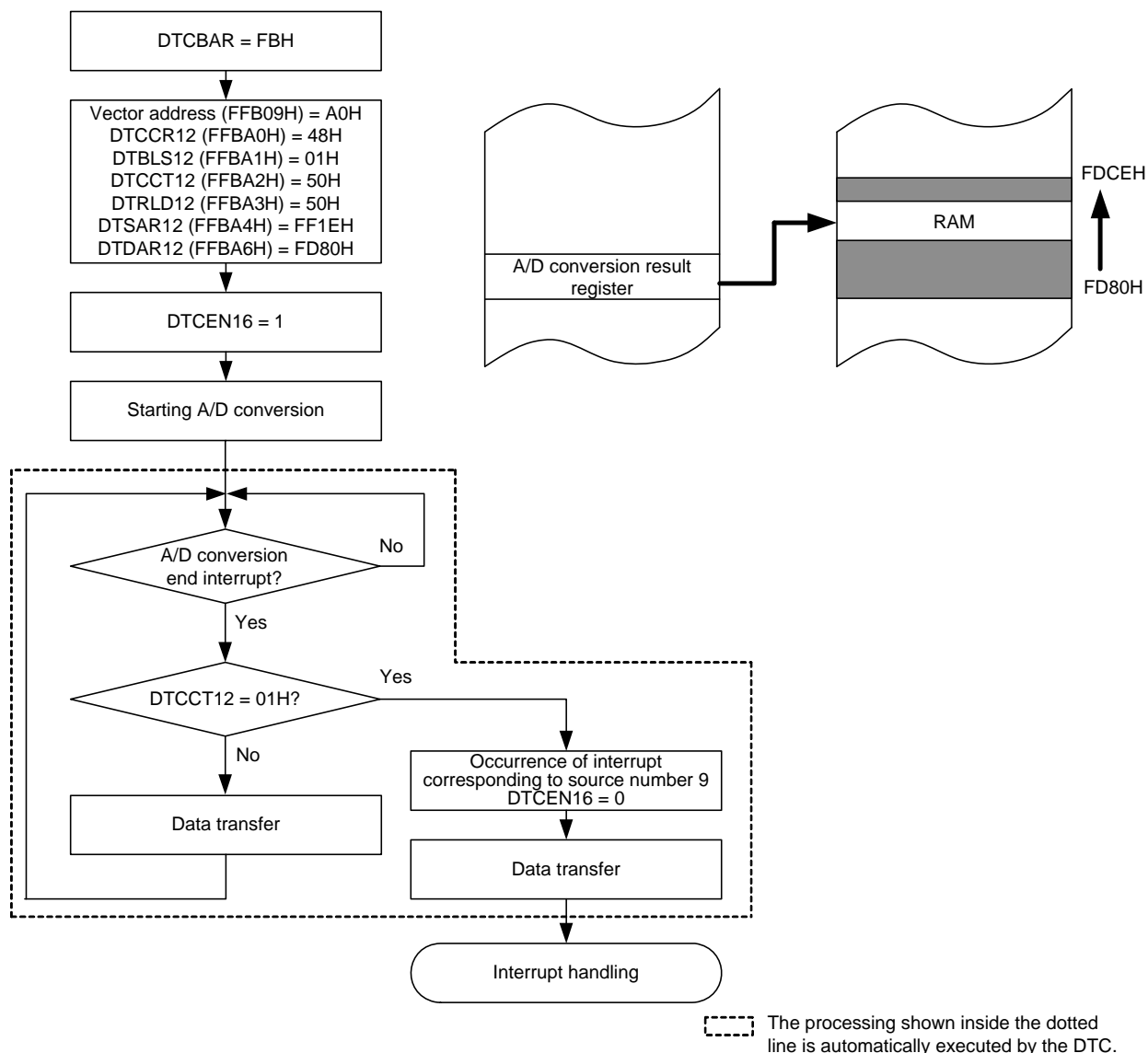
X: 0 or 1

(1) Example 1 of using normal mode: Consecutively capturing A/D conversion results

The DTC is activated by an A/D conversion end interrupt and the value of the A/D conversion result register is transferred to RAM.

- The vector address is FFB09H and control data is allocated at FFBA0H to FFBA7H.
- An A/D interrupt is assigned to source number 9.
- Transfers 2-byte data of the A/D conversion result register (FFF1EH, FFF1FH) to 80 bytes of FFD80H to FFDCFH of RAM.

Figure 20-22. Example 1 of Using Normal Mode: Consecutively Capturing A/D Conversion Results



The data of DTRLD12 does not affect DTC transfer operation because of normal mode.

20.3.3 Repeat Mode

One to 255 bytes of data are transferred by one activation. Either of the transfer source or destination should be specified as the repeat area. The number of transfers can be 1 to 255 times. On completion of the specified number of transfers, the DTCCT_j (i = 0 to 23) register and the address specified for the repeat area are initialized to continue transfers. When the data transfer causing the DTCCT_j register value to change to 0 is performed while the RPTINT bit in the DTCCR_j register is 1 (interrupt generation enabled), the DTC generates an interrupt request corresponding to the activation source to the interrupt controller during DTC operation, and sets the corresponding bit among bits DTCEN_{i0} to DTCEN_{i7} (i = 0 to 6) to 0 (activation disabled). When the RPTINT bit in the DTCCR_j register is 0 (interrupt generation disabled), no interrupt request is generated even if the data transfer causing the DTCCT_j register value to change to 0 is performed. Also, bits DTCEN_{i0} to DTCEN_{i7} are not set to 0.

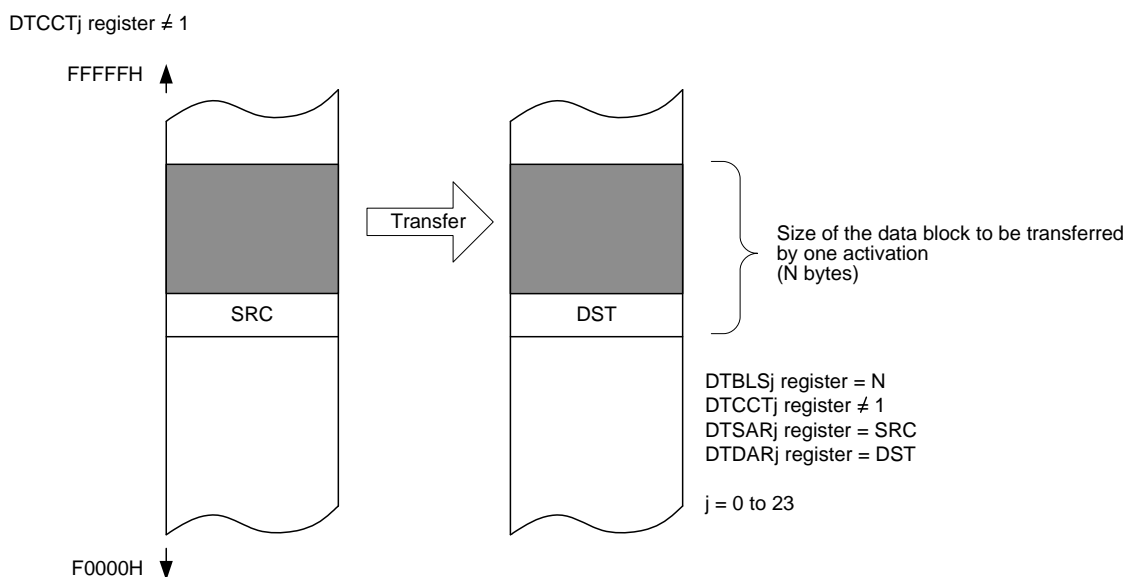
Table 20-8 lists register functions in repeat mode. Figure 20-23 shows data transfers in repeat mode.

Table 20-8. Register Functions in Repeat Mode

Register Name	Symbol	Function
DTC block size register j	DTBLS _j	Size of the data block to be transferred by one activation
DTC transfer count register j	DTCCT _j	Number of data transfers
DTC transfer count reload register j	DTRLD _j	This register value is reloaded to the DTCCT register (the number of transfers is initialized).
DTC source address register j	DTSAR _j	Data transfer source address
DTC destination address register j	DTDAR _j	Data transfer destination address

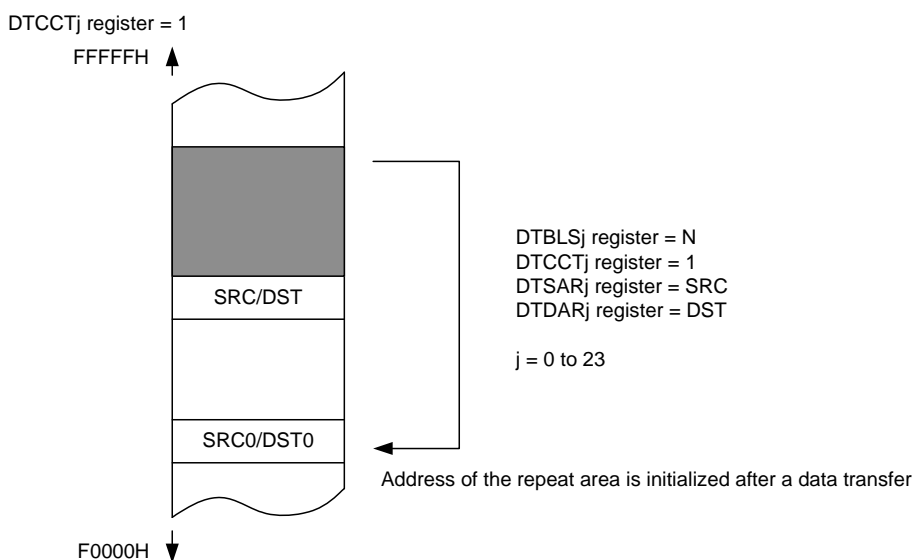
Remark j = 0 to 23

Figure 20-23. Data Transfers in Repeat Mode



DTCCR Register Setting				Source Address Control	Destination Address Control	Source Address after Transfer	Destination Address after Transfer
DAMOD	SAMOD	RPTSEL	MODE				
0	X	1	1	Repeat area	Fixed	SRC + N	DST
1	X	1	1	Repeat area	Incremented	SRC + N	DST + N
X	0	0	1	Fixed	Repeat area	SRC	DST + N
X	1	0	1	Incremented	Repeat area	SRC + N	DST + N

X: 0 or 1



DTCCR Register Setting				Source Address Control	Destination Address Control	Source Address after Transfer	Destination Address after Transfer
DAMOD	SAMOD	RPTSEL	MODE				
0	X	1	1	Repeat area	Fixed	SRC0	DST
1	X	1	1	Repeat area	Incremented	SRC0	DST + N
X	0	0	1	Fixed	Repeat area	SRC	DST0
X	1	0	1	Incremented	Repeat area	SRC + N	DST0

SRC0: Initial source address value
 DST0: Initial destination address value
 X: 0 or 1

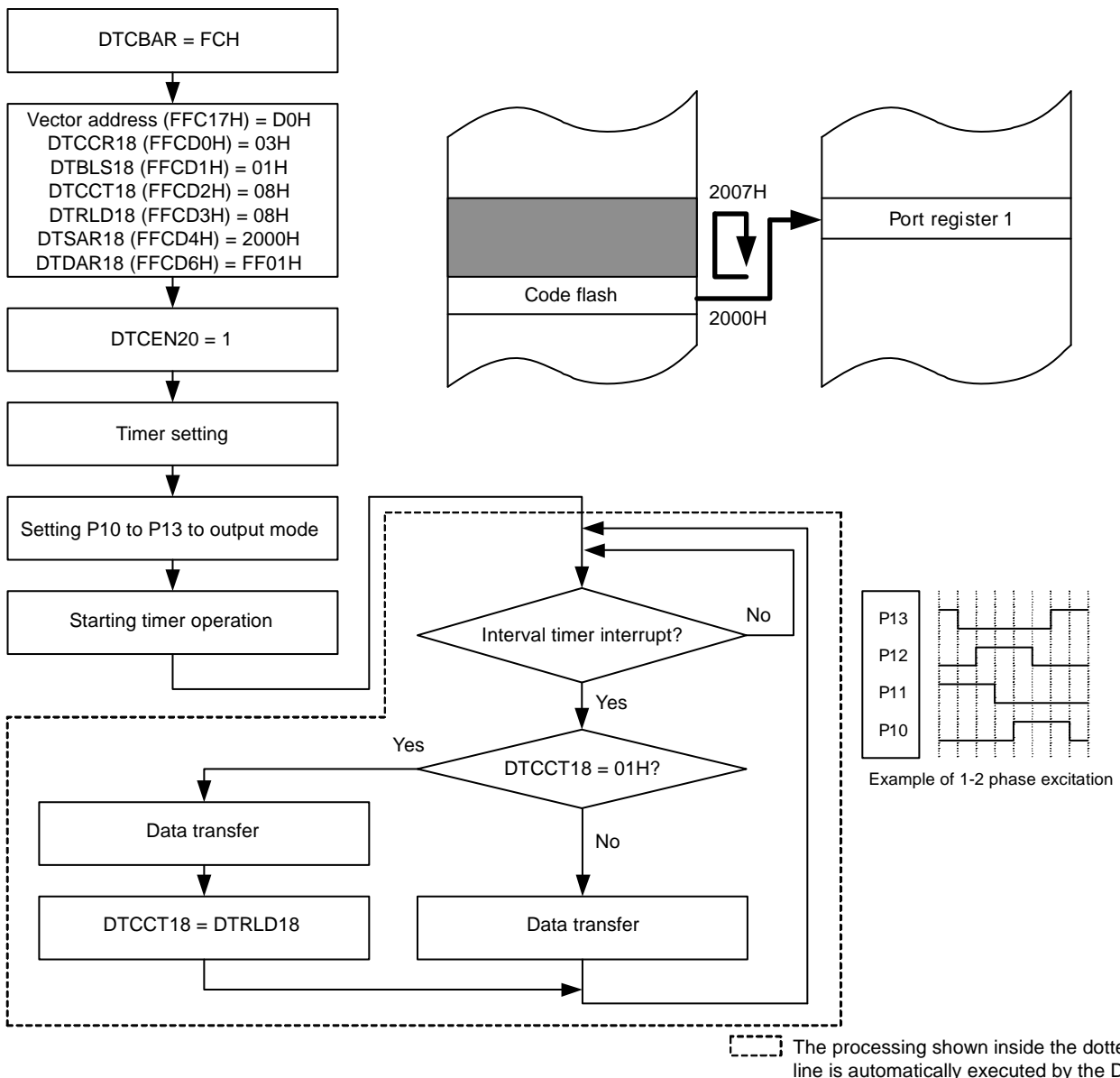
- Cautions**
- When repeat mode is used, the lower 8 bits of the initial value for the repeat area address must be 00H.
 - When repeat mode is used, the data size of the repeat area must be set to 255 bytes or less.

(1) Example 1 of using repeat mode: Outputting a stepping motor control pulse using ports

The DTC is activated by an interval timer interrupt and the pattern of the motor control pulse stored in the code flash memory is transferred to general-purpose ports.

- The vector address is FFC17H and control data is allocated at FFCD0H to FFCD7H.
- The timer interrupt is assigned to source number 23.
- Transfers 8-byte data of 02000H to 02007H of the code flash memory from the mirror space (F2000H to F2007H) to port register 1 (FFF01H).
- A repeat mode interrupt is disabled.

Figure 20-24. Example 1 of Using Repeat Mode: Outputting a Stepping Motor Control Pulse Using Ports



To stop the output, stop the timer first and then clear DTCEN20.

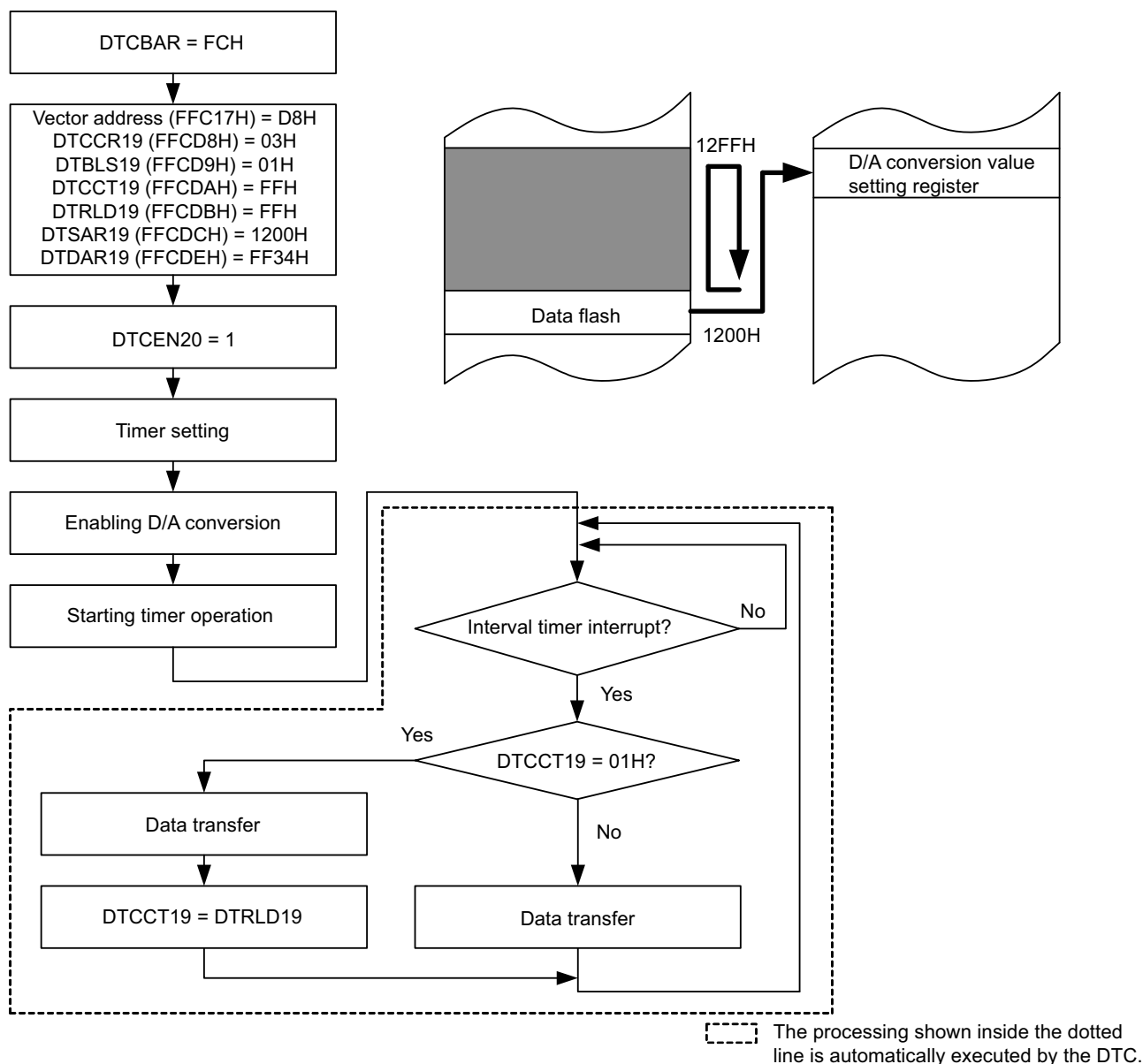
(2) Example 2 of using repeat mode: Outputting a sine wave using the 8-bit D/A converter

The DTC is activated by an interval timer interrupt and the table of the sine wave stored in the data flash memory is transferred to the 8-bit D/A conversion value setting register.

The timer interval time is set to the D/A output setup time.

- The vector address is FFC17H and control data is allocated at FFCD8H to FFCDFH.
- The timer interrupt is assigned to source number 23.
- Transfers 255-byte data of F1200H to F12FEH of the data flash memory to the D/A conversion value setting register (FFF34H).
- A repeat mode interrupt is disabled.

Figure 20-25. Example 2 of Using Repeat Mode: Outputting a Sine Wave Using the 8-bit D/A Converter



To stop the output, stop the timer first and then clear DTCEN20.

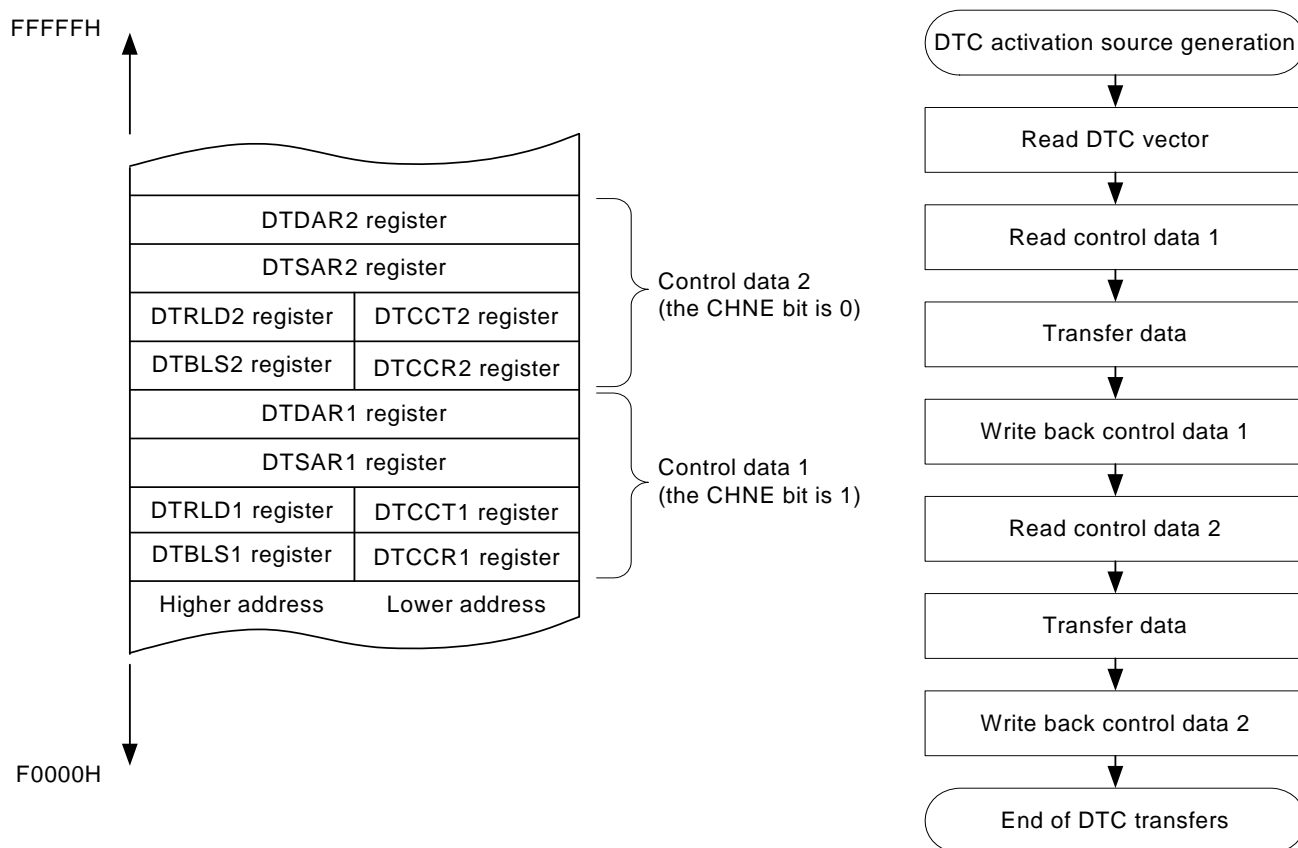
20.3.4 Chain Transfers

When the CHNE bit in the DTCCRj (j = 0 to 22) register is 1 (chain transfers enabled), multiple data transfers can be continuously performed by one activation source.

When the DTC is activated, one control data is selected according to the data read from the DTC vector address corresponding to the activation source, and the selected control data is read from the DTC control data area. When the CHNE bit for the control data is 1 (chain transfers enabled), the next control data immediately following the current control data is read and transferred after the current transfer is completed. This operation is repeated until the data transfer with the control data for which the CHNE bit is 0 (chain transfers disabled) is completed.

Figure 20-26 shows data transfers in chain transfers.

Figure 20-26. Data Transfers during Chain Transfers

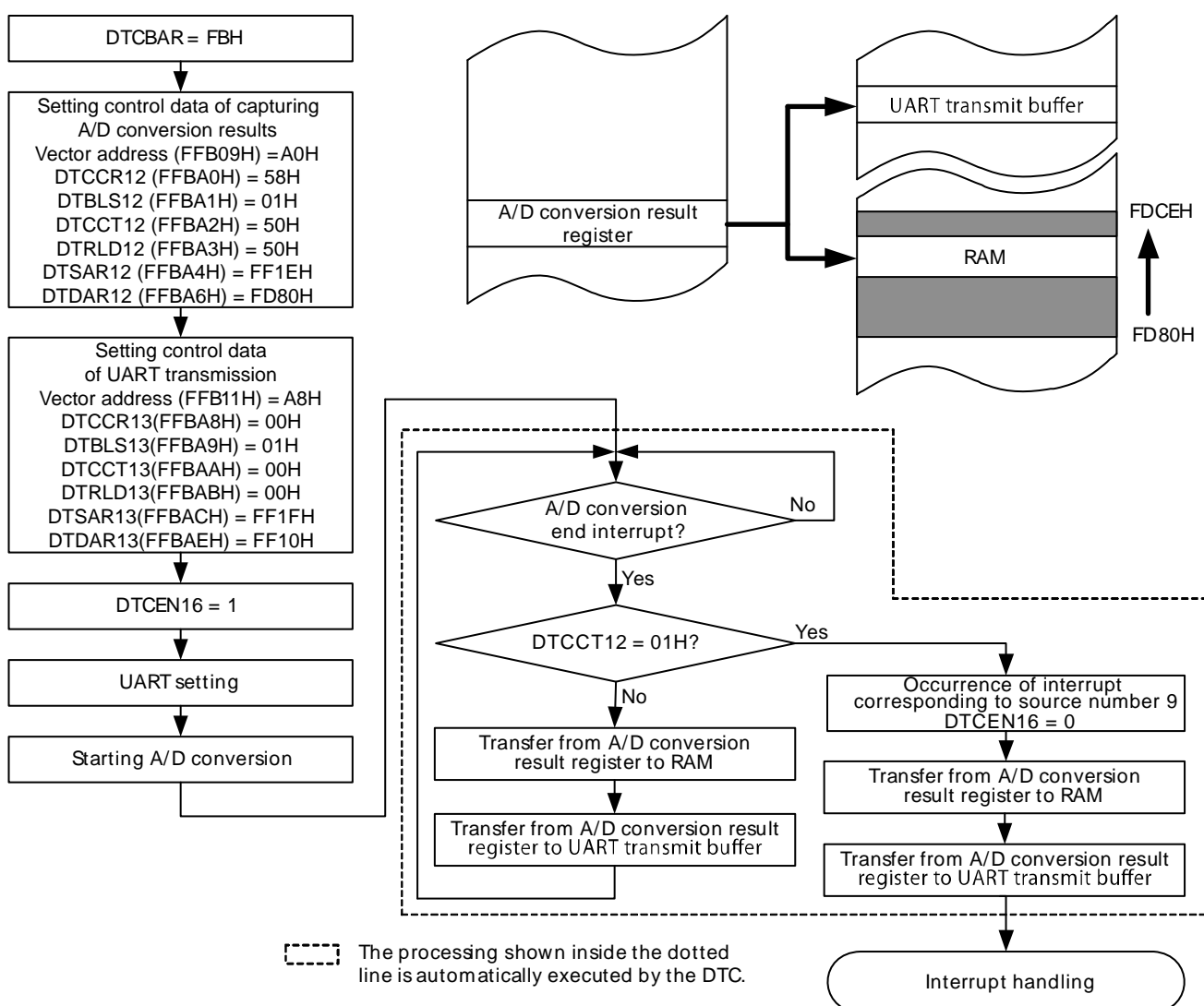


(1) Example of using chain transfers: Consecutively capturing A/D conversion results and UART transmission

The DTC is activated by an A/D conversion end interrupt and A/D conversion results are transferred to RAM, and then transmitted using the UART.

- The vector address is FFB09H.
- Control data of capturing A/D conversion results is allocated at FFBA0H to FFBA7H.
- Control data of UART transmission is allocated at FFBA8H to FFBAFH.
- An A/D conversion end interrupt is assigned to source number 9.
- Transfers 2-byte data of the A/D conversion result register (FFF1FH, FFF1EH) to FFD80H to FFD81FH of RAM, and transfers the upper 1 byte (FFF1FH) of the A/D conversion result register to the UART transmit buffer (FFF10H).

Figure 20-27. Example of Using Chain Transfers: Consecutively Capturing A/D Conversion Results and UART Transmission



- Cautions**
1. Set the CHNE bit in the DTCCR23 register to 0 (chain transfers disabled).
 2. For chain transfer, in the second and subsequent data transfers, bits DTCENi0 to DTCENi7 (i = 0 to 5) in the DTCENi register are not set to 0 (DTC activation disabled), and no interrupt request is generated.

20.3.5 High-Speed Transfer Operation

There are two channels for high-speed transfer. Each DTC activation source is selected by the high-speed DTC channel select register *m*. When the DTC is activated by the source selected by the high-speed transfer channel, the control data dedicated for high-speed transfer instead of the control data specified by the DTC vector address is read and transferred.

Initialize the control data area with any desired value because the control data are read.

Block transfer always transfers 1-byte data for 8-bit transfer and 2-byte data for 16-bit transfer.

Chain transfer reads and transfers the control data consecutively allocated subsequent to the control data specified by the DTC vector address. During a chain transfer, when control data is for the source selected by the other high-speed transfer channel, the consecutively allocated control data instead of the control data dedicated for high-speed transfer is read and transferred.

Table 20-9 shows the register functions in high-speed transfer operation.

Table 20-9. Register Functions in High-speed Transfer Mode

Register Name	Symbol	Function
High-speed DTC channel select register 0/1	SELHS0/1	Channel selection
High-speed DTC control register 0/1	HDTCCR0/1	Operating mode control
High-speed DTC transfer count register 0/1	HDTCC0/1	Number of data transfers
High-speed DTC transfer count reload register 0/1	HDTRLD0/1	Initial value setting
High-speed DTC source address register 0/1	HDT SAR0/1	Data transfer source address
High-speed DTC destination address register 0/1	HDT DAR0/1	Data transfer destination address

20.4 Notes on DTC

20.4.1 Setting DTC Registers and Vector Table

- Do not access the DTC SFRs, the DTC control data area, the DTC vector table area, or the general-register (FFEE0H to FFEFFH) space using a DTC transfer.
- Modify the DTC base address register (DTCBAR) while all DTC activation sources are set to activation disabled.
- Do not rewrite the DTC base address register (DTCBAR) twice or more.
- Modify the data of the DTCCRj, DTBLSj, DTCCTj, DTRLDj, DTSARj, or DTDARj register when the corresponding bit among bits DTCENi0 to DTCENi7 in the DTCENi (i = 0 to 6) register is 0 (DTC activation disabled).
- Modify the start address of the DTC control data area to be set in the vector table when the corresponding bit among bits DTCENi0 to DTCENi7 in the DTCENi (i = 0 to 6) register is 0 (DTC activation disabled).

20.4.2 Allocation of DTC Control Data Area and DTC Vector Table Area

The areas where the DTC control data and vector table can be allocated differ, depending on the usage conditions.

- It is prohibited to use the general-purpose register (FFF00H to FFEE0H) space as the DTC control data area or DTC vector table area.
- The 18-byte area between the DTC vector table area and the DTC control data area is a reserved area to be used when the number of DTC activation sources is expanded.

20.4.3 DTC Pending Instruction

If a transfer request is generated from the DTC to the CPU, the DTC is not activated immediately after the following instructions. Also, the DTC is not activated between PREFIX instruction code and the instruction immediately after that code.

- Call/return instruction
- Unconditional branch instruction
- Conditional branch instruction
- Read access instruction for code flash memory
- Bit manipulation instructions for IFxx, MKxx, PRxx, and PSW, and an 8-bit manipulation instruction that has the ES register as operand
- Instruction for accessing the data flash memory
- Multiply, Divide, Multiply & accumulate instruction (exclude MULU instruction)

- Cautions**
1. On reception of a DTC transfer request, all interrupt requests are held pending until the DTC transfer is completed.
 2. All interrupt requests are also held pending while a DTC transfer is suspended due to a DTC pending instruction.

20.4.4 Operations when an Instruction which Accesses an SFR Register that Requires a Wait is Executed

DTC transfer is suspended while an instruction which accesses an SFR register^{Note} that requires a wait is executed. The DTC transfer remains suspended as long as polling of the SFR register that requires a wait continues.

Note SFR registers that require a wait are registers of the CAM and LIN modules, and the TRJ0 register of the timer RJ module.

20.4.5 Operation when Accessing Data Flash Memory Space

Because DTC data transfer is suspended to access the data flash space, be sure to add the DTC pending instruction. If the data flash space is accessed after an instruction execution from start of DTC data transfer, a 3-clock wait will be inserted to the next instruction.

```

Instruction 1
DTC data transfer
Instruction 2 ← The wait of three clock cycles occurs.
MOV A,          ! Data Flash space

```

20.4.6 Number of DTC Execution Clock Cycles

Table 20-10 lists the operations following DTC activation and required number of clock cycles for each operation.

Table 20-10. Operations Following DTC Activation and Required Number of Cycles

Vector Read	Control Data		Data Read	Data Write
	Read	Write-back		
1	4	Note 1	Note 2	Note 2

- Notes**
- For the number of clock cycles required for control data write-back, refer to **Table 20-11 Number of Clock Cycles Required for Control Data Write-Back Operation.**
 - For the number of clock cycles required for data read/write, refer to **Table 20-12 Number of Clock Cycles Required for Data Read/Write Operation.**

Table 20-11. Number of Clock Cycles Required for Control Data Write-Back Operation

DTCCR Register Setting				Address Setting		Control Register to be Written Back				Number of Clock Cycles
DAMOD	SAMOD	RPTSEL	MODE	Source	Destination	DTCCTj Register	DTRLDj Register	DTSARj Register	DTDARj Register	
0	0	X	0	Fixed	Fixed	Written back	Written back	Not written back	Not written back	1
0	1	X	0	Incremented	Fixed	Written back	Written back	Written back	Not written back	2
1	0	X	0	Fixed	Incremented	Written back	Written back	Not written back	Written back	2
1	1	X	0	Incremented	Incremented	Written back	Written back	Written back	Written back	3
0	X	1	1	Repeat area	Fixed	Written back	Written back	Written back	Not written back	2
1	X	1	1		Incremented	Written back	Written back	Written back	Written back	3
X	0	0	1	Fixed	Repeat area	Written back	Written back	Not written back	Written back	2
X	1	0	1	Incremented		Written back	Written back	Written back	Written back	3

Remark j = 0 to 23; X: 0 or 1

Table 20-12. Number of Clock Cycles Required for Data Read/Write Operation

Operation	RAM	Code Flash Memory	Data Flash Memory	SFR	2nd SFR	
					No Wait State	Wait States
Data read	1	2	4	1	1	1 + number of wait states ^{Note}
Data write	1	-	-	1	1	1 + number of wait states ^{Note}

Note The number of wait states differs depending on the specifications of the register allocated to the second SFR to be accessed.

20.4.7 Number of High-speed DTC Execution Clock Cycles

Table 20-13 lists the operations following high-speed DTC activation and required number of clock cycles for each operation.

Table 20-13. Operations Following High-speed DTC Activation and Required Number of Cycles

Vector Read	Control Data		Data Read	Data Write
	Read	Write-back		
1		1 ^{Note 1}	Note 2	Note 2

- Notes**
1. For the number of clock cycles required for control data write-back, refer to **Table 20-14 Number of Clock Cycles Required for Control Data Write-Back Operation**.
 2. For the number of clock cycles required for data read/write, refer to **Table 20-15 Number of Clock Cycles Required for Data Read/Write Operation**.

Table 20-14. Number of Clock Cycles Required for Control Data Write-Back Operation

HDTCCRm Register Setting				Address Setting		Control Register to be Written Back				Number of Clock Cycles
HDAMODm	HSAMODm	HRPTSElm	HMODEm	Source	Destination	HDTCCm Register	HDTRLm Register	HDTsARm Register	HDTDARm Register	
0	0	X	0	Fixed	Fixed	Written back	Not written back	Not written back	Not written back	1
0	1	X	0	Incremented	Fixed	Written back	Not written back	Written back	Not written back	1
1	0	X	0	Fixed	Incremented	Written back	Not written back	Not written back	Written back	1
1	1	X	0	Incremented	Incremented	Written back	Not written back	Written back	Written back	1
0	X	1	1	Repeat area	Fixed	Written back	Not written back	Written back	Not written back	1
1	X	1	1		Incremented	Written back	Not written back	Written back	Written back	1
X	0	0	1	Fixed	Repeat area	Written back	Not written back	Not written back	Written back	1
X	1	0	1	Incremented		Written back	Not written back	Written back	Written back	1

Remark m = 0, 1; X: 0 or 1

Table 20-15. Number of Clock Cycles Required for Data Read/Write Operation

Operation	RAM	Code Flash Memory	Data Flash Memory	SFR	2nd SFR	
					No Wait State	Wait States
Data read	-	-	-	1	1	1 + number of wait states ^{Note}
Data write	1	-	-	1	1	1 + number of wait states ^{Note}

Note The number of wait states differs depending on the specifications of the register allocated to the second SFR to be accessed.

20.4.8 DTC Response Time

Table 20-16 lists the DTC response time. The DTC response time is the time from when the DTC activation source is detected until DTC transfer starts, excluding the number of DTC execution clocks.

The DTC response time in high-speed transfer is the same as that in the normal transfer.

Table 20-16. DTC Response Time

	Minimum Time	Maximum Time
Response Time	3 clocks	19 clocks

Note that the response from the DTC may be further delayed under the following cases. The number of delayed clock cycles differs depending on the conditions.

- When executing an instruction from the internal RAM
Maximum response time: 20 clocks
- When executing a DTC pending instruction (refer to **20.4.3 DTC Pending Instruction**)
Maximum response time: Maximum response time for each condition + execution clock cycles for the instruction to be held pending under the condition.
- When accessing the TRJ0 register that a wait occurs
Maximum response time: Maximum response time for each condition + 1 clock

Remark 1 clock: 1/f_{CLK} (f_{CLK}: CPU/peripheral hardware clock)

20.4.9 DTC Activation Sources

- After inputting a DTC activation source, do not input the same activation source again until DTC transfer is completed.
- While a DTC activation source is generated, do not manipulate the DTC activation enable bit corresponding to the source.
- If DTC activation sources conflict, their priority levels are determined in order to select the source for activation when the CPU acknowledges the DTC transfer. For details on the priority levels of activation sources, refer to **20.2.3 DTC Vector Table**.
- When DTC activation is enabled under either of the following conditions, a DTC transfer is started and an interrupt is generated after completion of the transfer. Therefore, enable DTC activation after confirming the comparator output monitor flag (CMPMON0) as necessary.
 - The comparator is set to releasing STOP mode by comparator interrupt enabled (CSTEN = 1), comparator output not inverted (CINV = 0), and comparator input > reference voltage
 - The comparator is set to releasing STOP mode by comparator interrupt enabled (CSTEN = 1), comparator output inverted (CINV = 1), and comparator input < reference voltage

20.4.10 Operation in Standby Mode Status

Status	DTC Operation
HALT mode	Operable (Operation is disabled while in the low power consumption RTC mode)
STOP mode	DTC activation sources can be accepted Note 2
SNOOZE mode	Operable Notes 1, 3

- Notes**
1. The SNOOZE mode can only be specified when the high-speed on-chip oscillator clock is selected as f_{CLK} .
 2. In the STOP mode, detecting a DTC activation source enables transition to SNOOZE mode and DTC transfer.
After completion of transfer, the system returns to the STOP mode. However, since the code flash memory and the data flash memory are stopped during the SNOOZE mode, the flash memory cannot be set as the transfer source.
 3. When an A/D conversion end interrupt is set as a DTC activation source from the A/D converter SNOOZE mode function, release the SNOOZE mode using the A/D conversion end interrupt to start CPU processing after completion of DTC transfer, or use a chained transfer to set the A/D converter SNOOZE mode function again after clear the AWC bit.

20.4.11 Notes When the RAM Area Is the Source of the Data for Transfer

Make initial settings with the desired values when the RAM area is the source of the data for transfer. RAM ECC interrupts may be produced in some cases.

20.4.12 Vector Address for High-Speed Transfer

For high-speed transfer, too, a DTC vector address allocated to each activation source is read out. For chain transfer at high-speed, control data indicated by the DTC vector address are allocated to contiguous areas, and the next control data are read out. For transfer other than chain transfer at high-speed, make initial settings with the desired values in the DTC vector addresses.

CHAPTER 21 EVENT LINK CONTROLLER (ELC)

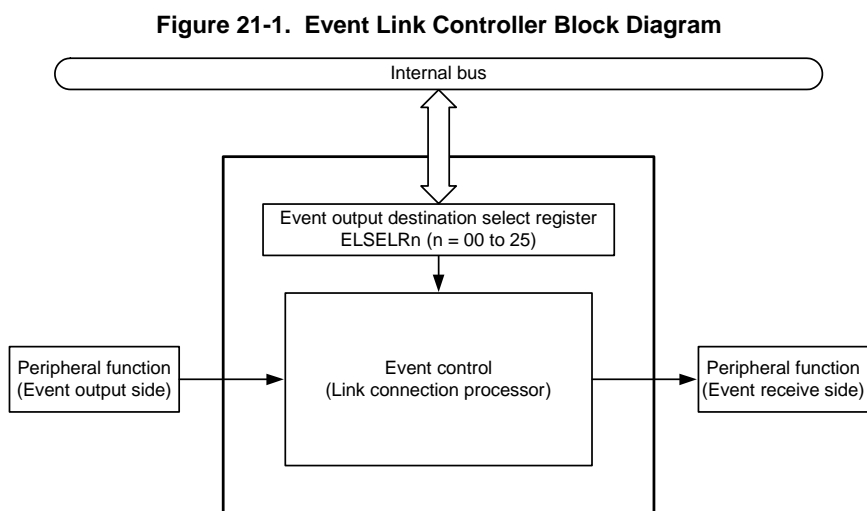
The event link controller (ELC) mutually connects (links) events output from each peripheral function. By linking events, it becomes possible to coordinate operation between peripheral functions directly without going through the CPU.

21.1 Overview

The ELC has the following functions.

- Capable of directly linking event signals from 26 types of peripheral functions to specified peripheral functions

Figure 21-1 shows the Event Link Controller Block Diagram.



21.2 Registers

Table 21-1 lists the ELC register configuration.

Table 21-1. ELC Register Configuration

Register name	Symbol	After Reset	Address	Access size
Event Output Destination Select Register 00	ELSELR00	00H	F0780H	1, 8
Event Output Destination Select Register 01	ELSELR01	00H	F0781H	1, 8
Event Output Destination Select Register 02	ELSELR02	00H	F0782H	1, 8
Event Output Destination Select Register 03	ELSELR03	00H	F0783H	1, 8
Event Output Destination Select Register 04	ELSELR04	00H	F0784H	1, 8
Event Output Destination Select Register 05	ELSELR05	00H	F0785H	1, 8
Event Output Destination Select Register 06	ELSELR06	00H	F0786H	1, 8
Event Output Destination Select Register 07	ELSELR07	00H	F0787H	1, 8
Event Output Destination Select Register 08	ELSELR08	00H	F0788H	1, 8
Event Output Destination Select Register 09	ELSELR09	00H	F0789H	1, 8
Event Output Destination Select Register 10	ELSELR10	00H	F078AH	1, 8
Event Output Destination Select Register 11	ELSELR11	00H	F078BH	1, 8
Event Output Destination Select Register 12	ELSELR12	00H	F078CH	1, 8
Event Output Destination Select Register 13	ELSELR13	00H	F078DH	1, 8
Event Output Destination Select Register 14	ELSELR14	00H	F078EH	1, 8
Event Output Destination Select Register 15	ELSELR15	00H	F078FH	1, 8
Event Output Destination Select Register 16	ELSELR16	00H	F0790H	1, 8
Event Output Destination Select Register 17	ELSELR17	00H	F0791H	1, 8
Event Output Destination Select Register 18	ELSELR18	00H	F0792H	1, 8
Event Output Destination Select Register 19	ELSELR19	00H	F0793H	1, 8
Event Output Destination Select Register 20	ELSELR20	00H	F0794H	1, 8
Event Output Destination Select Register 21	ELSELR21	00H	F0795H	1, 8
Event Output Destination Select Register 22	ELSELR22	00H	F0796H	1, 8
Event Output Destination Select Register 23	ELSELR23	00H	F0797H	1, 8
Event Output Destination Select Register 24	ELSELR24	00H	F0798H	1, 8
Event Output Destination Select Register 25	ELSELR25	00H	F0799H	1, 8

21.2.1 Event Output Destination Select Register n (ELSELRn) (n = 00 to 25)

An ELSELRn register links each event signal to an operation of an event-receiving peripheral function (link destination peripheral function) after reception.

Do not set multiple event inputs to the same event output destination (event receive side). The operation of the event-receiving peripheral function will become undefined, and event signals may not be received correctly. In addition, do not set the event link generation source and the event link output destination to the same function.

Set an ELSELRn register during a period when no event output peripheral functions are generating event signals.

Table 21-2 lists the correspondence between ELSELRn (n = 00 to 25) registers and peripheral functions, and Table 21-3 lists the correspondence between values set to ELSELRn (n = 00 to 25) registers and operation of link destination peripheral functions at reception.

Figure 21-2. Format of Event Output Destination Select Register n (ELSELRn) (n = 00 to 25)

Address: F0780H (ELSELR00) to F0799H (ELSELR25) After reset: 00H R/W

Symbol	7	6	5	4	3	2	1	0
ELSELRn	-	-	-	-	ELSELRn3	ELSELRn2	ELSELRn1	ELSELRn0

Bits 7 to 4	Reserved
-	The read value is 0.

ELSELRn3 Note 1	ELSELRn2	ELSELRn1	ELSELRn0	Event Link Selection
0	0	0	0	Event link disabled
0	0	0	1	Select operation of peripheral function to link ^{Note}
0	0	1	0	Select operation of peripheral function to link ^{Note}
0	0	1	1	Select operation of peripheral function to link ^{Note}
0	1	0	0	Select operation of peripheral function to link ^{Note}
0	1	0	1	Select operation of peripheral function to link ^{Note}
0	1	1	0	Select operation of peripheral function to link ^{Note}
0	1	1	1	Select operation of peripheral function to link ^{Note}
1	0	0	0	Select operation of peripheral function to link ^{Note}
1	0	0	1	Select operation of peripheral function to link ^{Note}

Note. See Table 21-3 Correspondence Between Values Set to ELSELRn (n = 00 to 25) Registers and Operation of Link Destination Peripheral Functions at Reception.

Table 21-2. Correspondence Between ELSELRn (n = 00 to 25) Registers and Peripheral Functions

Register Name	Event Generator (Output Origin of Event Input n)	Event Description
ELSELR00	External interrupt edge detection 0	INTP0
ELSELR01	External interrupt edge detection 1	INTP1
ELSELR02	External interrupt edge detection 2	INTP2
ELSELR03	External interrupt edge detection 3	INTP3
ELSELR04	External interrupt edge detection 4	INTP4
ELSELR05	External interrupt edge detection 5	INTP5
ELSELR06	Key return signal detection	INTKR
ELSELR07	RTC fixed-cycle signal/Alarm match detection	INTRTC
ELSELR08	Timer RD0 Input capture A/Compare match A	INTTRD0
ELSELR09	Timer RD0 Input capture B/Compare match B	INTTRD0
ELSELR10	Timer RD1 Input capture A/Compare match A	INTTRD1
ELSELR11	Timer RD1 Input capture B/Compare match B	INTTRD1
ELSELR12	Timer RD1 Underflow	TRD1 underflow signal
ELSELR13	Timer RJ0	INTTRJ0
ELSELR14	TAU0 channel 0 Count end/Capture end	INTTM00
ELSELR15	TAU0 channel 1 Count end/Capture end	INTTM01
ELSELR16	TAU0 channel 2 Count end/Capture end	INTTM02
ELSELR17	TAU0 channel 3 Count end/Capture end	INTTM03
ELSELR18	TAU0 channel 4 Count end/Capture end	INTTM04
ELSELR19	Comparator detection 0	INTCMP0
ELSELR20	TAU0 channel 5 Count end/Capture end	INTTM05
ELSELR21	TAU0 channel 6 Count end/Capture end	INTTM06
ELSELR22	TAU0 channel 7 Count end/Capture end	INTTM07
ELSELR23	TAU1 channel 0 Count end/Capture end	INTTM10
ELSELR24	TAU1 channel 1 Count end/Capture end	INTTM11
ELSELR25	TAU1 channel 2 Count end/Capture end	INTTM12

Table 21-3. Correspondence Between Values Set to ELSELRn (n = 00 to 25) Registers and Operation of Link Destination Peripheral Functions at Reception

Bits ELSELRn3 to ELSELRn0 in ELSELRn Register	Link Destination Peripheral Function	Operation When Receiving Event
0001B	A/D converter	A/D conversion starts
0010B	Timer input of timer array unit 0 channel 0 <small>Notes 1 and 2</small>	Delay counter, input pulse interval measurement, external event counter
0011B	Timer input of timer array unit 0 channel 1 <small>Notes 1 and 2</small>	
0100B	Timer RJ0	Count source
0101B	Timer RD0	TRDIOD0 input capture, pulse output cutoff
0110B	Timer RD1	TRDIOD1 input capture, pulse output cutoff
0111B	DA0 <small>Note 3</small>	Real-time output
1000B	Timer input of timer array unit 0 channel 2 <small>Notes 1 and 2</small>	Delay counter, input pulse interval measurement, external event counter
1001B	Timer input of timer array unit 0 channel 3 <small>Notes 1 and 2</small>	

- Notes 1.** To select the timer input of timer array unit 0 channel m as the link destination peripheral function, first set the operating clock for channel m to f_{CLK} using timer clock select register 0 (TPS0), and then set the timer output used for channel m to an event input signal from the ELC using timer input select register 0 (TIS0).
- 2.** Before selecting the timer input of timer array unit 0 channel m as the link destination peripheral function, set the noise filter of the corresponding link destination channel in the timer array unit 0 to OFF (set the TNFEN0m bit to 0) by using the noise filter enable register 1 (NFEN1).
- 3.** When entering the STOP status while the real-time output event mode for D/A conversion is enabled, disable linking of ELC events before entering STOP.

Remark m = 0, 3

21.2.2 Timer input select register 0

The timer array unit channels 0 to 3 change the event input from the ELC to the source for each channel. For details, see **6.3.9 Timer input select register 0 (TIS0)**.

21.2.3 A/D converter mode register 1 (ADM1)

This register has the function of specifying the A/D conversion trigger. A/D conversion is performed by two-bit control and using the signal by the TAU0 channel 1, event signal by the ELC, or pretimed signal/alarm interrupt signal as triggers. For details, see **12.3.3 A/D converter mode register 1 (ADM1)**.

21.2.4 D/A converter mode register (DAM)

This register has the real-time output function, which starts D/A conversion using the event input from the ELC as triggers. For details, see **13.3.3 D/A converter mode register (DAM)**.

21.3 Operation

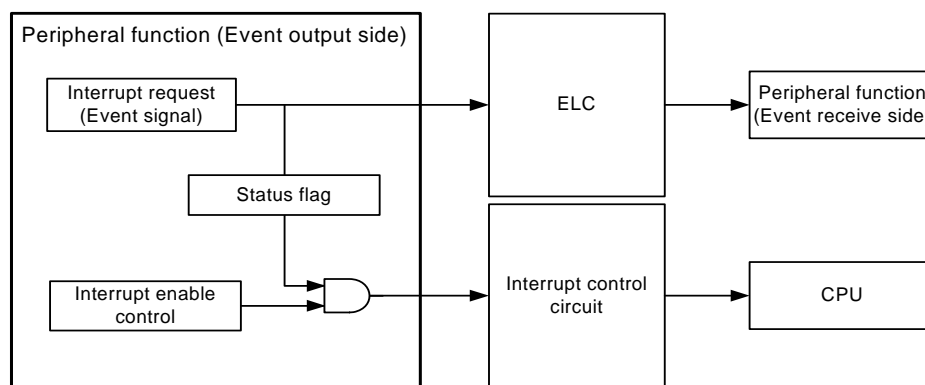
The path for using an event signal generated by a peripheral function as an interrupt request to the interrupt control circuit is independent from the path for using it as an ELC event. Therefore, each event signal can be used as an event signal for operation of an event-receiving peripheral function, regardless of interrupt control.

In addition, event link operation can be performed without being influenced by the presence or absence of a CPU clock supply. However, the operating clock of a peripheral function needs to be supplied and be in an operational state.

Figure 21-3 shows the relationship between interrupt handling and ELC. The figure shows an example of an interrupt request status flag and a peripheral function possessing the enable bits that control enabling/disabling of such interrupts.

A peripheral function which receives an event from the ELC will perform the operation corresponding to the event-receiving peripheral function after reception of an event (see **Table 21-3 Correspondence Between Values Set to ELSELRn (n = 00 to 25) Registers and Operation of Link Destination Peripheral Functions at Reception**).

Figure 21-3. Relationship Between Interrupt Handling and ELC



CHAPTER 22 INTERRUPT FUNCTIONS

If different processing is required during the execution of one program, interrupts provide a convenient and fast way of switching to another program to handle that processing.

After processing at the branch destination is completed, execution returns to the point where the original program was suspended.

The number of interrupt sources differs, depending on the product.

		48 pins	64 pins	80 pins	100 pins	144 pins
Maskable interrupts	External	15	18	19	20	22
	Internal	51	51	51	51	51

22.1 Interrupt Function Types

The following two types of interrupt functions are used.

(1) Maskable interrupts

These interrupts undergo mask control. Maskable interrupts can be divided into four priority groups by setting the priority specification flag registers (PR00L, PR00H, PR01L, PR01H, PR02L, PR02H, PR03L, PR03H, PR10L, PR10H, PR11L, PR11H, PR12L, PR12H, PR13L, PR13H).

Multiple interrupt servicing can be applied to low-priority interrupts when high-priority interrupts are generated. If two or more interrupt requests, each having the same priority, are simultaneously generated, then they are processed according to the default priority of vectored interrupt servicing. For the default priority, see **Table 22-1**.

A standby release signal is generated and STOP, HALT, and SNOOZE modes are released.

External interrupt requests and internal interrupt requests are provided as maskable interrupts.

(2) Software interrupt

This is a vectored interrupt generated by executing the BRK instruction. It is acknowledged even when interrupts are disabled. The software interrupt does not undergo interrupt priority control.

22.2 Interrupt Sources and Configuration

Interrupt sources include maskable interrupts and software interrupts. In addition, they also have up to seven reset sources (see **Table 22-1**). The vector codes that store the program start address when branching due to the generation of a reset or various interrupt requests are two bytes each, so interrupts jump to a 64 K address of 00000H to 0FFFFH.

Table 22-1. Interrupt Source List (1/5)

Interrupt Type	Default Priority ^{Note 1}	Interrupt Source		Internal/ External	Vector Table Address	Basic Configuration Type ^{Note 2}	144-pin	100-pin	80-pin	64-pin	48-pin
		Name	Trigger								
Maskable	0	INTWDTI	Watchdog timer interval ^{Note 3} (75% of overflow time+1/2 _{f_{WDT}})	Internal	0004H	(A)	√	√	√	√	√
	1	INTLVI	Voltage detection ^{Note 4}		0006H		√	√	√	√	√
	2	INTP0	Pin input edge detection 0	External	0008H	(B)	√	√	√	√	√
	3	INTP1	Pin input edge detection 1		000AH		√	√	√	√	√
	4	INTP2	Pin input edge detection 2		000CH		√	√	√	√	√
	5	INTP3	Pin input edge detection 3		000EH		√	√	√	√	√
	6	INTP4 ^{Note 5}	Pin input edge detection 4		0010H		√	√	√	√	√
			INTSPM ^{Note 5}	Stack pointer overflow/underflow	Internal		(A)				
	7	INTP5 ^{Note 6}	Pin input edge detection 5	External	0012H	(B)	√	√	√	√	√
			INTCMP0 ^{Note 6}	Comparator detection 0	Internal		(A)	√	√	√	√
	8	INTP13 ^{Note 7}	Pin input edge detection 13	External	0014H	(B)	√	√	√	-	-
			INTCLM ^{Note 7}	Main clock or PLL clock stop	Internal		(A)	√	√	√	√
	9	INTST0/ INTCSI00/ INTIIC00	UART0 transmission transfer end or buffer empty interrupt/CSI00 transfer end or buffer empty interrupt/IIC00 transfer end	Internal	0016H	(A)	√	√	√	√	√
	10	INTSR0/ INTCSI01/ INTIIC01	UART0 reception transfer end/CSI01 transfer end or buffer empty interrupt/IIC01 transfer end		0018H		√	√	√	√	√
	11	INTTRD0	Timer RD0 input capture, compare match, overflow, underflow interrupt		001AH		√	√	√	√	√
	12	INTTRD1	Timer RD1 input capture, compare match, overflow, underflow interrupt		001CH		√	√	√	√	√
13	INTTRJ0	Timer RJ0	001EH		√		√	√	√	√	
14	INTRAM	RAM 1-bit correction/2-bit error detection	0020H		√		√	√	√	√	
15	INTLIN0TRM	LIN0 transmission		0022H		√	√	√	√	√	
16	INTLIN0RVC	LIN0 reception end		0024H		√	√	√	√	√	

(Notes are listed on the next page.)

- Notes**
1. The default priority determines the sequence of interrupts if two or more maskable interrupts occur simultaneously. Zero indicates the highest priority and 60 indicates the lowest priority.
 2. Basic configuration types (A) to (F) correspond to (A) to (F) in Figure 22-1.
 3. When bit 7 (WDTINT) of the option byte (000C0H) is set to 1.
 4. When bit 7 (LVIMD) of the voltage detection level register (LVIS) is cleared to 0.
 5. To determine whether the actual interrupt source is INTP4 or INTSPM, read the INTFLG00 bit in the INTFLG0 register or the stack pointer.
 6. To determine whether the actual interrupt source is INTP5 or INTCMP0, read the INTFLG01 and INTFLG06 bits in the INTFLG0 register.
 7. To determine whether the actual interrupt source is INTP13 or INTCLM, read the INTFLG07 bit in the INTFLG0 register and SELPLLS bit in the PLLSTS register.

Table 22-1. Interrupt Source List (2/5)

Interrupt Type	Default Priority ^{Note 1}	Interrupt Source		Internal/ External	Vector Table Address	Basic Configuration Type ^{Note 2}	144-pin	100-pin	80-pin	64-pin	48-pin
		Name	Trigger								
Maskable	17	INTLIN0STA/ INTLIN0	LIN0 reception status/LIN0 interrupt	Internal	0026H	(A)	√	√	√	√	√
	18	INTIICA0	IICA0 transfer end		0028H		√	√	√	√	√
	19	INTP8 ^{Note 4}	Pin input edge detection 8	External	002AH	(B)	√	√	√	√	√
		INTRTC ^{Note 4}	RTC pretimed signal or alarm match detection	Internal			(A)	√	√	√	√
	20	INTTM00	End of TAU0 channel 0 count/capture	Internal	002CH	(A)	√	√	√	√	√
	21	INTTM01 ^{Note 5}	End of TAU0 channel 1 count/capture		002EH		√	√	√	√	√
		INTLIN2TRM ^{Note 5}	LIN2 transmission		√		√	-	-	-	
	22	INTTM02 ^{Note 6}	End of TAU0 channel 2 count/capture		0030H		√	√	√	√	√
		INTLIN2RVC ^{Note 6}	LIN2 reception end				√	√	-	-	-
	23	INTTM03 ^{Note 7}	End of TAU0 channel 3 count/capture		0032H		√	√	√	√	√
		INTLIN2STA/ INTLIN2 ^{Note 7}	LIN2 reception status/ LIN2 interrupt	√		√	-	-	-		
	24	INTAD	End of A/D conversion	0034H	√	√	√	√	√		
	25	INTP6 ^{Note 3}	Pin input edge detection 6	External	0036H	(B)	√	√	√	√	√
		INTTM11H	Upper 8-bit interval timer interrupt of TAU1 channel 1 (when 8-bit timer function is selected)	Internal			(A)	√	√	√	√
	26	INTP7 ^{Note 3}	Pin input edge detection 7	External	0038H	(B)	√	√	√	√	√
		INTTM13H	Upper 8-bit interval timer interrupt of TAU1 channel 3 (when 8-bit timer function is selected)	Internal			(A)	√	√	√	√
	27	INTP9 ^{Note 3}	Pin input edge detection 9	External	003AH	(B)	√	√	√	√	√
		INTTM01H	Upper 8-bit interval timer interrupt of TAU0 channel 1 (when 8-bit timer function is selected)	Internal			(A)	√	√	√	√
28	INTP10 ^{Note 3}	Pin input edge detection 10	External	003CH	(B)	√	√	√	√	-	
	INTTM03H	Upper 8-bit interval timer interrupt of TAU0 channel 3 (when 8-bit timer function is selected)	Internal			(A)	√	√	√	√	√

(Notes are listed on the next page.)

- Notes**
1. The default priority determines the sequence of interrupts if two or more maskable interrupts occur simultaneously. Zero indicates the highest priority and 60 indicates the lowest priority.
 2. Basic configuration types (A) to (F) correspond to (A) to (F) in Figure 22-1.
 3. Whether the interrupt source is the detection of edge input on a pin or a TAU count end/capture end interrupt is not detectable.
 4. To determine whether the actual interrupt source is INTP8 or INTRTC, read the INTFLG02 bit in the INTFLG0 register or the WAFG and RIFG bits in the RTCC1 register.
 5. To determine whether the actual interrupt source is INTTM01 or INTLIN2TRM, read the INTFLG11 bit in the INTFLG1 register and LST2 register.
 6. To determine whether the actual interrupt source is INTTM02 or INTLIN2RVC, read the INTFLG12 bit in the INTFLG1 register and LST2, LEST2 registers.
 7. To determine whether the actual interrupt source is INTTM03 or INTLIN2STA/INTLIN2, read the INTFLG13 bit in the INTFLG1 register and LST2, LEST2 registers.

Table 22-1. Interrupt Source List (3/5)

Interrupt Type	Default Priority ^{Note 1}	Interrupt Source		Internal/ External	Vector Table Address	Basic Configuration Type ^{Note 2}	144-pin	100-pin	80-pin	64-pin	48-pin	
		Name	Trigger									
Maskable	29	INTST1/ INTCSI10/ INTIIC10 ^{Note 4}	UART1 transmission transfer end or buffer empty interrupt/CSI10 transfer end or buffer empty interrupt/IIC10 transfer end	Internal	003EH	(A)	√	√	√	√	√	
		INTIEBBD ^{Note 4}	IEBus data interrupt				√	√	√	√	√	
	30	INTSR1/ INTCSI11/ INTIIC11 ^{Note 5}	UART1 reception transfer end/CSI11 transfer end or buffer empty interrupt/IIC11 transfer end		0040H	√	√	√	√	√		
		INTIEBBTV ^{Note 5}	IEBus vectored interrupt			√	√	√	√	√		
	31	INTTM04 ^{Note 6}	End of TAU0 channel 4 count/capture		0042H	√	√	√	√	√		
		INTST2 /INTCSI20 ^{Note 6}	UART2 transmission transfer end or buffer empty interrupt/CSI20 transfer end or buffer empty interrupt			√	√	–	–	–		
	32	INTTM05 ^{Note 7}	End of TAU0 channel 5 count/capture		0044H	√	√	√	√	√		
		INTSR2/ INTCSI21 ^{Note 7}	UART2 reception transfer end/CSI21 transfer end or buffer empty interrupt			√	√	–	–	–		
	33	INTTM06 ^{Note 8}	End of TAU0 channel 6 count/capture		0046H	√	√	√	√	√		
		INTSRE2 ^{Note 8}	UART2 reception error occur			√	√	–	–	–		
	34	INTP15 ^{Note 9}	Pin input edge detection 15		External	0048H	(B)	√	–	–	–	–
		INTTM07 ^{Note 9}	End of TAU0 channel 7 count/capture		Internal			(A)	√	√	√	√
	35	INTP11 ^{Note 3}	Pin input edge detection 11		External	004AH	(B)	√	√	√	√	–
		INTLIN0WUP ^{Note 3}	LIN0 reception pin input					(E)	√	√	√	√
36	INTKR	Key interrupt detection		004CH	(C)	√	√	√	√	√		
37	INTCAN0ERR	CAN0 channel error	Internal	004EH	(A)	√	√	√	√	√		
38	INTCAN0WUP	CAN0 wakeup	External	0050H	(D)	√	√	√	√	√		

(Notes are listed on the next page.)

- Notes**
1. The default priority determines the sequence of interrupts if two or more maskable interrupts occur simultaneously. Zero indicates the highest priority and 60 indicates the lowest priority.
 2. Basic configuration types (A) to (F) correspond to (A) to (F) in Figure 22-1.
 3. Select INTP11 and INTLIN0WUP by the ISC2 bit in the ISC register.
 4. To determine whether the actual interrupt source is INTST1/INTCSI10/INTIIC10 or INTIEBBTD, read the INTFLG41 and INTFLG46 bits in the INTFLG4 register.
 5. To determine whether the actual interrupt source is INTSR1/INTCSI11/INTIIC11 or INTIEBBTV, read the INTFLG42 and INTFLG47 bits in the INTFLG4 register.
 6. To determine whether the actual interrupt source is INTTM04 or INTST2/INTCSI20, read the INTFLG14 bit in the INTFLG1 register and INTFLG43 bit in the INTFLG4 register.
 7. To determine whether the actual interrupt source is INTTM05 or INTSR2/INTCSI21, read the INTFLG15 bit in the INTFLG1 register and INTFLG44 bit in the INTFLG4 register.
 8. To determine whether the actual interrupt source is INTTM06 or INTSRE2, read the INTFLG16 bit in the INTFLG1 register and SSR20/SSR21 register.
 9. To determine whether the actual interrupt source is INTP15 or INTTM07 read the INTFLG40 bit in the INTFLG4 register and INTFLG17 bit in the INTFLG1 register.

Table 22-1. Interrupt Source List (4/5)

Interrupt Type	Default Priority ^{Note 1}	Interrupt Source		Internal/ External	Vector Table Address	Basic Configuration Type ^{Note 2}	144-pin	100-pin	80-pin	64-pin	48-pin
		Name	Trigger								
Maskable	39	INTCAN0CFR	CAN0 transmit/receive FIFO receive	Internal	0052H	(A)	√	√	√	√	√
	40	INTCAN0TRM	CAN0 channel transmit		0054H	√	√	√	√	√	
	41	INTCANGFR	CAN global receive FIFO		0056H	√	√	√	√	√	
	42	INTCANGERR	CAN global error		0058H	√	√	√	√	√	
	43	INTTM10 ^{Note 5}	End of TAU1 channel 0 count/capture		005AH	√	√	√	√	√	
						INTTM20 ^{Note 5}	End of TAU2 channel 0 count/capture	√	–	–	–
	44	INTTM11 ^{Note 6}	End of TAU1 channel 1 count/capture		005CH	√	√	√	√	√	
						INTTM21 ^{Note 6}	End of TAU2 channel 1 count/capture	√	–	–	–
	45	INTTM12 ^{Note 7}	End of TAU1 channel 2 count/capture		005EH	√	√	√	√	√	
						INTTM22 ^{Note 7}	End of TAU2 channel 2 count/capture	√	–	–	–
	46	INTTM13 ^{Note 8}	End of TAU1 channel 3 count/capture		0060H	√	√	√	√	√	
						INTTM23 ^{Note 8}	End of TAU2 channel 3 count/capture	√	–	–	–
	47	INTFL	Reserved ^{Note 4}		0062H	√	√	√	√	√	
	48	INTP12 ^{Note 3}	Pin input edge detection 12		0064H	(B)	√	√	√	√	–
			INTLIN1WUP ^{Note 3}	LIN1 reception pin input		(E)	√	√	√	√	√
	49	INTLIN1TRM	LIN1 transmission	Internal	0066H	(A)	√	√	√	√	√
	50	INTLIN1RVC	LIN1 reception end		0068H	√	√	√	√	√	
	51	INTLIN1STA/INTLIN1	LIN1 reception status/LIN1 interrupt		006AH	√	√	√	√	√	
52	INTTM14 ^{Note 9}	End of TAU1 channel 4 count/capture	006CH		√	√	√	√	√		
					INTTM24 ^{Note 9}	End of TAU2 channel 4 count/capture	√	–	–	–	–

(Notes are listed on the next page.)

- Notes**
1. The default priority determines the sequence of interrupts if two or more maskable interrupts occur simultaneously. Zero indicates the highest priority and 60 indicates the lowest priority.
 2. Basic configuration types (A) to (F) correspond to (A) to (F) in Figure 22-1.
 3. Select INTP12 and INTLIN1WUP by the ISC3 bit in the ISC register.
 4. Do not use this interrupt.
 5. To determine whether the actual interrupt source is INTTM10 or INTTM20 read the INTFLG20 bit in the INTFLG2 register and INTFLG30 bit in the INTFLG3 register.
 6. To determine whether the actual interrupt source is INTTM11 or INTTM21 read the INTFLG21 bit in the INTFLG2 register and INTFLG31 bit in the INTFLG3 register.
 7. To determine whether the actual interrupt source is INTTM12 or INTTM22 read the INTFLG22 bit in the INTFLG2 register and INTFLG32 bit in the INTFLG3 register.
 8. To determine whether the actual interrupt source is INTTM13 or INTTM23 read the INTFLG23 bit in the INTFLG2 register and INTFLG33 bit in the INTFLG3 register.
 9. To determine whether the actual interrupt source is INTTM14 or INTTM24 read the INTFLG24 bit in the INTFLG2 register and INTFLG34 bit in the INTFLG3 register.

Table 22-1. Interrupt Source List (5/5)

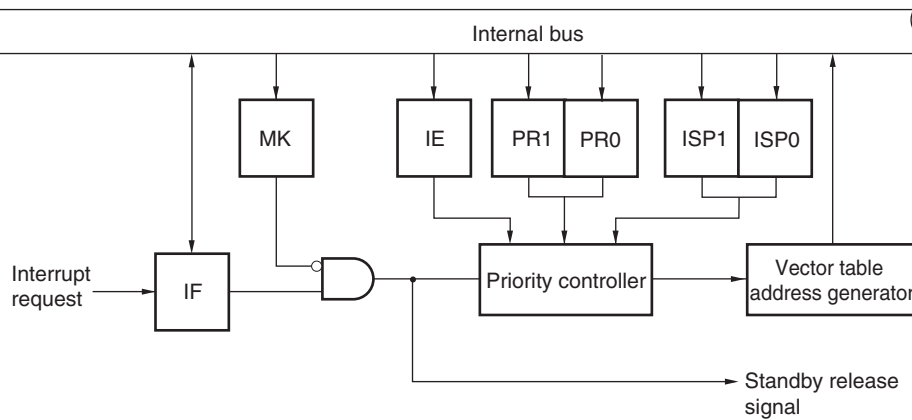
Interrupt Type	Default Priority ^{Note 1}	Interrupt Source		Internal/ External	Vector Table Address	Basic Configuration Type ^{Note 2}	144-pin	100-pin	80-pin	64-pin	48-pin			
		Name	Trigger											
Maskable	53	INTTM15 ^{Note 6}	End of TAU1 channel 5 count/capture	Internal	006EH		√	√	√	√	√			
		INTTM25 ^{Note 6}	End of TAU2 channel 5 count/capture				√	-	-	-	-			
	54	INTTM16 ^{Note 7}	End of TAU1 channel 6 count/capture		0070H		√	√	√	√	√			
		INTTM26 ^{Note 7}	End of TAU2 channel 6 count/capture				√	-	-	-	-			
	55	INTTM17 ^{Note 8}	End of TAU1 channel 7 count/capture		0072H		√	√	√	√	√			
		INTTM27 ^{Note 8}	End of TAU2 channel 7 count/capture				√	-	-	-	-			
	56	INTCAN1ERR	CAN1 channel error		0074H		√	√	√	√	√			
	57	INTCAN1WUP	CAN1 wakeup		External		0076H	(D)	√	√	√	√	√	
	58	INTCAN1CFR	CAN1 transmit/receive FIFO receive		Internal		0078H	(A)	√	√	√	√	√	
	59	INTCAN1TRM	CAN1 channel transmit		External		007AH		√	√	√	√	√	
	60		INTP14 ^{Note 5}		Pin input edge detection 14		External	007CH	(B)	√	-	-	-	-
			INTLIN2WUP ^{Note 5}		LIN2 reception pin input				(E)	√	√	-	-	-
Software	-	BRK	Execution of BRK instruction	-	007EH	(F)	√	√	√	√	√			
Reset	-	RESET	RESET pin input	-	0000H	-	√	√	√	√	√			
		POR	Power-on-reset				√	√	√	√	√			
		LVD	Voltage detection ^{Note 3}				√	√	√	√	√			
		WDT	Overflow of watchdog timer				√	√	√	√	√			
		TRAP	Execution of illegal instruction ^{Note 4}				√	√	√	√	√			
		IAW	Illegal-memory access				√	√	√	√	√			
		CLM	Main clock oscillation stop				√	√	√	√	√			

(Notes are listed on the next page.)

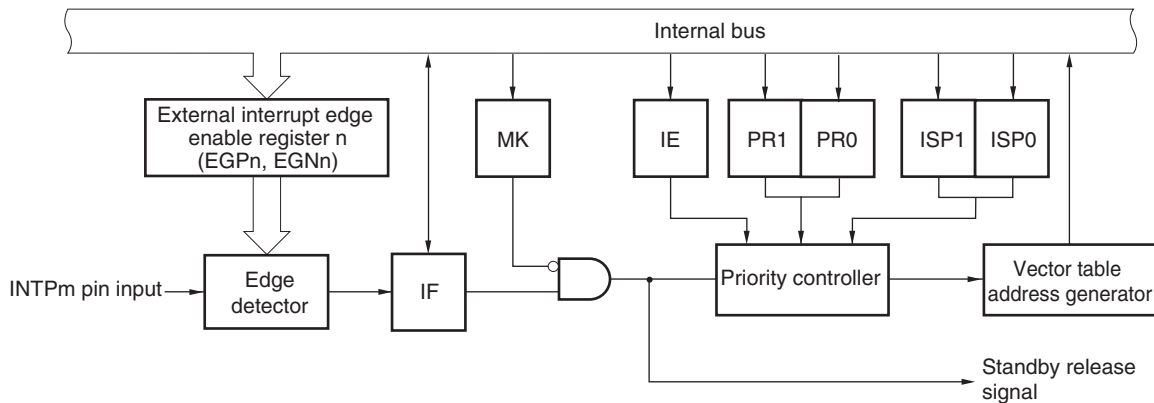
- Notes**
1. The default priority determines the sequence of interrupts if two or more maskable interrupts occur simultaneously. Zero indicates the highest priority and 60 indicates the lowest priority.
 2. Basic configuration types (A) to (F) correspond to (A) to (F) in Figure 22-1.
 3. When bit 7 (LVIMD) of the voltage detection level register (LVIS) is set to 1.
 4. When the instruction code in FFH is executed.
Reset by the illegal instruction execution not issued by emulation with the in-circuit emulator or on-chip debug emulator.
 5. Select INTP14 and INTLIN2WUP by the ISC4 bit in the ISC register.
 6. To determine whether the actual interrupt source is INTTM15 or INTTM25 read the INTFLG25 bit in the INTFLG2 register and INTFLG35 bit in the INTFLG3 register.
 7. To determine whether the actual interrupt source is INTTM16 or INTTM26 read the INTFLG26 bit in the INTFLG2 register and INTFLG36 bit in the INTFLG3 register.
 8. To determine whether the actual interrupt source is INTTM17 or INTTM27 read the INTFLG27 bit in the INTFLG2 register and INTFLG37 bit in the INTFLG3 register.

Figure 22-1. Basic Configuration of Interrupt Function (1/3)

(A) Internal maskable interrupt



(B) External maskable interrupt (INTPm)

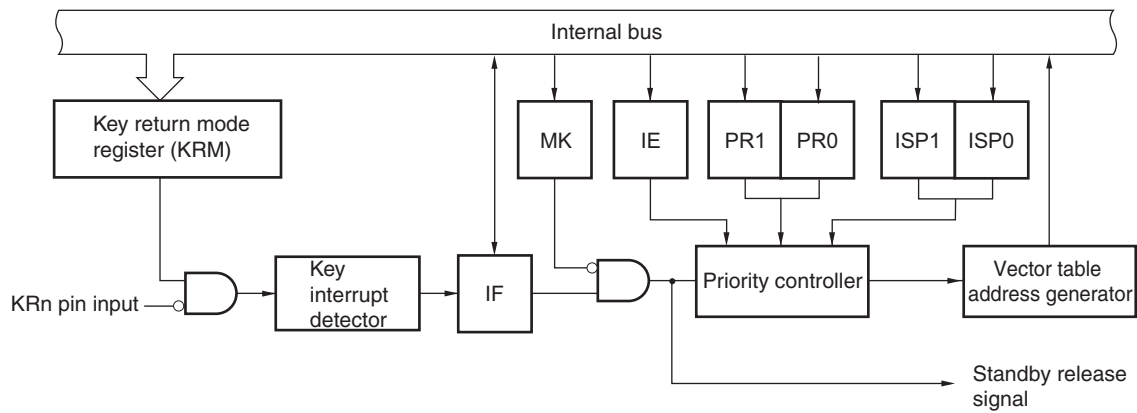


- IF: Interrupt request flag
- IE: Interrupt enable flag
- ISP0: In-service priority flag 0
- ISP1: In-service priority flag 1
- MK: Interrupt mask flag
- PR0: Priority specification flag 0
- PR1: Priority specification flag 1

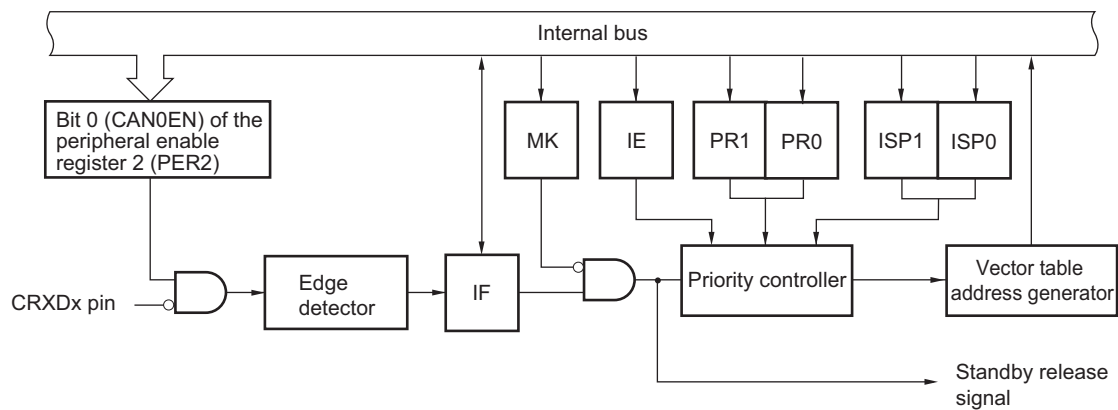
Remark n = 0, 1
 48-pin: m = 0 to 9
 64-pin: m = 0 to 12
 80-, 100-pin: m = 0 to 13
 144-pin: m = 0 to 15

Figure 22-1. Basic Configuration of Interrupt Function (2/3)

(C) External maskable interrupt (INTKR)



(D) External maskable interrupt (CANx wake-up)

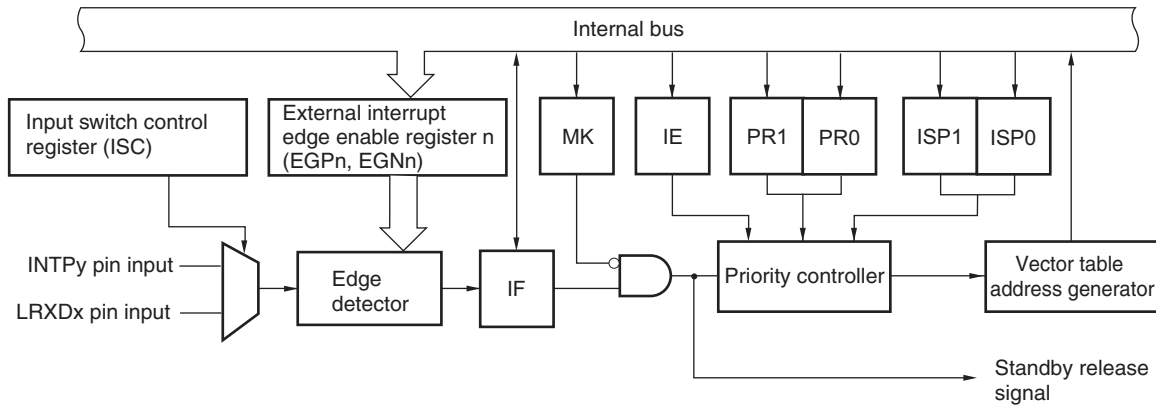


- IF: Interrupt request flag
- IE: Interrupt enable flag
- ISP0: In-service priority flag 0
- ISP1: In-service priority flag 1
- MK: Interrupt mask flag
- PR0: Priority specification flag 0
- PR1: Priority specification flag 1

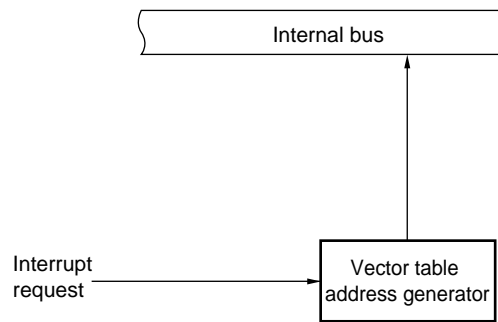
Remark 48-, 64-, 80-, 100-, 144-pin: n = 0 to 7
x = 0, 1

Figure 22-1. Basic Configuration of Interrupt Function (3/3)

(E) External maskable interrupt (LINx wake-up)



(F) Software interrupt



- IF: Interrupt request flag
- IE: Interrupt enable flag
- ISP0: In-service priority flag 0
- ISP1: In-service priority flag 1
- MK: Interrupt mask flag
- PR0: Priority specification flag 0
- PR1: Priority specification flag 1

Remark n = 0 to 1
 x = 0 to 2
 y = 11, 12, 14

22.3 Registers Controlling Interrupt Functions

The following 9 types of registers are used to control the interrupt functions.

- Interrupt request flag registers (IF0L, IF0H, IF1L, IF1H, IF2L, IF2H, IF3L, IF3H)
- Interrupt mask flag registers (MK0L, MK0H, MK1L, MK1H, MK2L, MK2H, MK3L, MK3H)
- Priority specification flag registers (PR00L, PR00H, PR01L, PR01H, PR02L, PR02H, PR03L, PR03H, PR10L, PR10H, PR11L, PR11H, PR12L, PR12H, PR13L, PR13H)
- External interrupt rising edge enable registers (EGP0, EGP1)
- External interrupt falling edge enable registers (EGN0, EGN1)
- Interrupt source determination flag registers (INTFLG0, INTFLG1, INTFLG2, INTFLG3, INTFLG4)
- Interrupt mask register (INTMSK)
- Input switch control register (ISC)
- Program status word (PSW)

Table 22-2 shows a list of interrupt request flags, interrupt mask flags, and priority specification flags corresponding to interrupt request sources.

Table 22-2. Flags Corresponding to Interrupt Request Sources (1/5)

Interrupt Source	Interrupt Request Flag		Interrupt Mask Flag		Priority Specification Flag		144-pin	100-pin	80-pin	64-pin	48-pin
		Register		Register		Register					
INTWDTI	WDTIIF	IF0L	WDTIMK	MK0L	WDTIPR0, WDTIPR1	PR00L, PR10L	√	√	√	√	√
INTLVI	LVIIIF		LVIMK		LVIPR0, LVIPR1		√	√	√	√	√
INTP0	PIF0		PMK0		PPR00, PPR10		√	√	√	√	√
INTP1	PIF1		PMK1		PPR01, PPR11		√	√	√	√	√
INTP2	PIF2		PMK2		PPR02, PPR12		√	√	√	√	√
INTP3	PIF3		PMK3		PPR03, PPR13		√	√	√	√	√
INTP4	PIF4		PMK4		PPR04, PPR14		√	√	√	√	√
INTSPM	SPMIF		SPMMK		SPMPR0, SPMPR1		√	√	√	√	√
INTP5	PIF5		PMK5		PPR05, PPR15		√	√	√	√	√
INTCMP0	CMPIF0		CMPMK0		CMPPR00, CMPPR10		√	√	√	√	√

Table 22-2. Flags Corresponding to Interrupt Request Sources (2/5)

Interrupt Source	Interrupt Request Flag		Interrupt Mask Flag		Priority Specification Flag		144-pin	100-pin	80-pin	64-pin	48-pin
		Register		Register		Register					
INTP13	PIF13	IF0H	PMK13	MK0H	PPR013, PPR113	PR00H, PR10H	√	√	√	-	-
INTCLM	CLMIF		CLMMK		CLMPR0, CLMPR1		√	√	√	√	√
INTST0	STIF0		STMK0		STPR00, STPR10		√	√	√	√	√
INTCSI00	IICIF00		CSIMK00		CSIPR000, CSIPR100		√	√	√	√	√
INTIIC00	IICIF00		IICMK00		IICPR000, IICPR100		√	√	√	√	√
INTSR0	SRIF0		SRMK0		SRPR00, SRPR10		√	√	√	√	√
INTCSI01	CSIF01		CSIMK01		CSIPR001, CSIPR101		√	√	√	√	√
INTIIC01	IICIF01		IICMK01		IICPR001, IICPR101		√	√	√	√	√
INTTRD0	TRDIF0		TRDMK0		TRDPR00, TRDPR10		√	√	√	√	√
INTTRD1	TRDIF1		TRDMK1		TRDPR01, TRDPR11		√	√	√	√	√
INTTRJ0	TRJIF0		TRJMK0		TRJPR00, TRJPR10		√	√	√	√	√
INTRAM	RAMIF		RAMMK		RAMPR0, RAMPR1		√	√	√	√	√
INTLINOTRM	LINOTRMIF		LINOTRMMK		LINOTRMPR0, LINOTRMPR1		√	√	√	√	√

- Cautions**
1. If one of the interrupt sources INTST0, INTCSI00, and INTIIC00 is generated, bit 1 of the IF0H register is set to 1. Bit 1 of the MK0H, PR00H, and PR10H registers supports these three interrupt sources.
 2. If one of the interrupt sources INTSR0, INTCSI01, and INTIIC01 is generated, bit 2 of the IF0H register is set to 1. Bit 2 of the MK0H, PR00H, and PR10H registers supports these three interrupt sources.

Table 22-2. Flags Corresponding to Interrupt Request Sources (3/5)

Interrupt Source	Interrupt Request Flag		Interrupt Mask Flag		Priority Specification Flag		144-pin	100-pin	80-pin	64-pin	48-pin
		Register		Register		Register					
INTLIN0RVC	LIN0RVCIF	IF1L	LIN0RVCMK	MK1L	LIN0RVCPR0, LIN0RVCPR1	PR01L, PR11L	√	√	√	√	√
INTLIN0STA	LIN0STAIF		LIN0STAMK		LIN0STAPR0, LIN0STAPR1		√	√	√	√	√
INTLIN0	LIN0IF		LIN0MK		LIN0PR0, LIN0PR1		√	√	√	√	√
INTIICA0	IICAIF0		IICAMK0		IICAPR00, IICAPR10		√	√	√	√	√
INTP8	PIF8		PMK8		PPR08, PPR18		√	√	√	√	√
INTRTC	RTCIF		RTCMK		RTCPR0, RTCPR1		√	√	√	√	√
INTRM00	TMIF00		TMMK00		TMPR000, TMPR100		√	√	√	√	√
INTTM01	TMIF01		TMMK01		TMPR001, TMPR101		√	√	√	√	√
INTLIN2TRM	LIN2TRMIF		LIN2TRMMK		LIN2TRMPR0, LIN2TRMPR1		√	√	-	-	-
INTTM02	TMIF02		TMMK02		TMPR002, TMPR102		√	√	√	√	√
INTLIN2RVC	LIN2RVCIF		LIN2RVCMK		LIN2RVCPR0, LIN2RVCPR1		√	√	-	-	-
INTTM03	TMIF03		TMMK03		TMPR003, TMPR103		√	√	√	√	√
INTLIN2STA	LIN2STAIF		LIN2STAMK		LIN2STAPR0, LIN2STAPR1		√	√	-	-	-
INTLIN2	LIN2IF		LIN2MK		LIN2PR0, LIN2PR1		√	√	-	-	-
INTAD	ADIF	IF1H	ADMK	MK1H	ADPR0, ADPR1	PR01H, PR11H	√	√	√	√	√
INTP6	PIF6		PMK6		PPR06, PPR16		√	√	√	√	√
INTTM11H	TMIF11H		TMMK11H		TMPR011H, TMPR111H		√	√	√	√	√
INTP7	PIF7		PMK7		PPR07, PPR17		√	√	√	√	√
INTTM13H	TMIF13H		TMMK13H		TMPR013H, TMPR113H		√	√	√	√	√
INTP9	PIF9		PMK9		PPR09, PPR19		√	√	√	√	√
INTTM01H	TMIF01H		TMMK01H		TMPR001H, TMPR101H		√	√	√	√	√
INTP10	PIF10		PMK10		PPR10, PPR110		√	√	√	√	-
INTTM03H	TMIF03H		TMMK03H		TMPR003H, TMPR103H		√	√	√	√	√
INTST1	STIF1		STMK1		STPR01, STPR11		√	√	√	√	√
INTCSI10	CSIIF10		CSIMK10		CSIPR010, CSIPR110		√	√	√	√	√
INTIIC10	IICIF10		IICMK10		IICPR010, IICPR110		√	√	√	√	√
INTIEBBTD	IEBBTDIF		IEBBTDMK		IEBBTDPR0, IEBBTDPR1		√	√	√	√	√
INTSR1	SRIF1		SRMK1		SRPR01, SRPR11		√	√	√	√	√
INTCSI11	CSIIF11		CSIMK11		CSIPR011, CSIPR111		√	√	√	√	√
INTIIC11	IICIF11		IICMK11		IICPR011, IICPR111		√	√	√	√	√
INTIEBBTV	IEBBTVIF		IEBBTVMK		IEBBTVPR0, IEBBTVPR1		√	√	√	√	√
INTTM04	TMIF04		TMMK04		TMPR004, TMPR104		√	√	√	√	√
INTST2	STIF2		STMK2		STPR02, STPR12		√	√	-	-	-
INTCSI20	CSIIF20		CSIMK20		CSIPR020, CSIPR120		√	√	-	-	-

Table 22-2. Flags Corresponding to Interrupt Request Sources (4/5)

Interrupt Source	Interrupt Request Flag		Interrupt Mask Flag		Priority Specification Flag		144-pin	100-pin	80-pin	64-pin	48-pin
		Register		Register		Register					
INTTM05	TMIF05	IF2L	TMMK05	MK2L	TMPR005, TMPR105	PR02L, PR12L	√	√	√	√	√
INTSR2	SRIF2		SRMK2		SRPR02, SRPR12		√	√	-	-	-
INTCSI21	CSIF21		CSIMK21		CSIPR021, CSIPR121		√	√	-	-	-
INTTM06	TMIF06		TMMK06		TMPR006, TMPR106		√	√	√	√	√
INTSRE2	SREIF2		SREMK2		SREPR02, SREPR12		√	√	-	-	-
INTP15	PIF15		PMK15		PPR015, PPR115		√	-	-	-	-
INTTM07	TMIF07		TMMK07		TMPR007, TMPR107		√	√	√	√	√
INTP11	PIF11		PMK11		PPR11, PPR111		√	√	√	√	-
INTLIN0WUP	LIN0WUPIF		LIN0WUPMK		LIN0WUPPR0, LIN0WUPPR1		√	√	√	√	√
INTKR	KRIF		KRMK		KRPR0, KRPR1		√	√	√	√	√
INTCAN0ERR	CAN0ERRIF		CAN0ERMK		CAN0ERRPR0, CA0ERRPR1		√	√	√	√	√
INTCAN0WUP	CAN0WUPIF		CAN0WUPMK		CAN0WUPPR0, CAN0WUPPR1		√	√	√	√	√
INTCAN0CFR	CAN0CFRIF		CAN0CFRMK		CAN0CFRPR0, CAN0CFRPR1		√	√	√	√	√
INTCAN0TRM	CAN0TRMIF	IF2H	CAN0TRMMK	MK2H	CAN0TRMPR0, CAN0TRMPR1	PR02H, PR12H	√	√	√	√	√
INTCANGFRFR	CANGFRFRIF		CANGFRFMK		CANGFRFRPR0, CANGFRFRPR1		√	√	√	√	√
INTCANGERR	CANGERRIF		CANGERRMK		CANGERRPR0, CANGERRPR1		√	√	√	√	√
INTTM10	TMIF10		TMMK10		TMPR010, TMPR110		√	√	√	√	√
INTTM20	TMIF20		TMMK20		TMPR020, TMPR120		√	-	-	-	-
INTTM11	TMIF11		TMMK11		TMPR011, TMPR111		√	√	√	√	√
INTTM21	TMIF21		TMMK21		TMPR021, TMPR121		√	-	-	-	-
INTTM12	TMIF12		TMMK12		TMPR012, TMPR112		√	√	√	√	√
INTTM22	TMIF22		TMMK22		TMPR022, TMPR122		√	-	-	-	-
INTTM13	TMIF13		TMMK13		TMPR013, TMPR113		√	√	√	√	√
INTTM23	TMIF23		TMMK23		TMPR023, TMPR123		√	-	-	-	-
INTFL	FLIF		FLMK		FLPR0, FLPR1		√	√	√	√	√

Table 22-2. Flags Corresponding to Interrupt Request Sources (5/5)

Interrupt Source	Interrupt Request Flag		Interrupt Mask Flag		Priority Specification Flag		144-pin	100-pin	80-pin	64-pin	48-pin
		Register		Register		Register					
INTP12	PIF12	IF3L	PMK12	MK3L	PPR012, PPR112	PR03L, PR13L	√	√	√	√	–
INTLIN1WUP	LIN1WUPIF		LIN1WUPMK		LIN1WUPPR0, LIN1WUPPR1		√	√	√	√	√
INTLIN1TRM	LIN1TRMIF		LIN1TRMMK		LIN1TRMPR0, LIN1TRMPR1		√	√	√	√	√
INTLIN1RVC	LIN1RVCIF		LIN1RVCMK		LIN1RVCPR0, LIN1RVCPR1		√	√	√	√	√
INTLIN1STA	LIN1STAIF		LIN1STAMK		LIN1STAPR0, LIN1STAPR1		√	√	√	√	√
INTLIN1	LIN1IF		LIN1MK		LIN1PR0, LIN1PR1		√	√	√	√	√
INTTM14	TMIF14		TMMK14		TMPR014, TMPR114		√	√	√	√	√
INTTM24	TMIF24		TMMK24		TMPR024, TMPR124		√	–	–	–	–
INTTM15	TMIF15		TMMK15		TMPR015, TMPR115		√	√	√	√	√
INTTM25	TMIF25		TMMK25		TMPR025, TMPR125		√	–	–	–	–
INTTM16	TMIF16		TMMK16		TMPR016, TMPR116		√	√	√	√	√
INTTM26	TMIF26		TMMK26		TMPR026, TMPR126		√	–	–	–	–
INTTM17	TMIF17		TMMK17		TMPR017, TMPR117		√	√	√	√	√
INTTM27	TMIF27		TMMK27		TMPR027, TMPR127		√	–	–	–	–
INTCAN1ERR	CAN1ERRIF	IF3H	CAN1ERRMK	MK3H	CAN1ERRPR0, CAN1ERRPR1	PR03H, PR13H	√	√	√	√	√
INTCAN1WUP	CAN1WUPIF		CAN1WUPMK		CAN1WUPPR0, CAN1WUPPR1		√	√	√	√	√
INTCAN1CFR	CAN1CFRIF		CAN1CFRMK		CAN1CFRPR0, CAN1CFRPR1		√	√	√	√	√
INTCAN1TRM	CAN1TRMIF		CAN1TRMMK		CAN1TRMPR0, CAN1TRMPR1		√	√	√	√	√
INTP14	PIF14		PMK14		PPR014, PPR114		√	–	–	–	–
INTLIN2WUP	LIN2WUPIF		LIN2WUPMK		LIN2WUPPR0, LIN2WUPPR1		√	√	–	–	–

(Cautions are listed on the next page.)

- Cautions**
1. Do not use INTP6 and channel 1 of TAU1 (at 8-bit timer operation) at the same time because they share flags for the interrupt request sources. Whether the interrupt source condition that is satisfied is INTP6 or channel 1 of TAU1, bit 1 of the IF1H register is set to 1. Bit 1 of the MK1H, PR01H, and PR11H registers supports these two interrupt sources.
 2. Do not use INTP7 and channel 3 of TAU1 (at 8-bit timer operation) at the same time because they share flags for the interrupt request sources. Whether the interrupt source condition that is satisfied is INTP7 or channel 3 of TAU1, bit 2 of the IF1H register is set to 1. Bit 2 of the MK1H, PR01H, and PR11H registers supports these two interrupt sources.
 3. Do not use INTP9 and channel 1 of TAU0 (at 8-bit timer operation) at the same time because they share flags for the interrupt request sources. Whether the interrupt source condition that is satisfied is INTP6 or channel 1 of TAU0, bit 3 of the IF1H register is set to 1. Bit 3 of the MK1H, PR01H, and PR11H registers supports these two interrupt sources.
 4. Do not use INTP10 and channel 3 of TAU0 (at 8-bit timer operation) at the same time because they share flags for the interrupt request sources. Whether the interrupt source condition that is satisfied is INTP6 or channel 3 of TAU0, bit 4 of the IF1H register is set to 1. Bit 4 of the MK1H, PR01H, and PR11H registers supports these two interrupt sources.
 5. If one of the interrupt sources INTST1, INTCSI10, and INTIIC10 is generated, bit 5 of the IF1H register is set to 1. Bit 5 of the MK1H, PR01H, and PR11H registers supports these three interrupt sources.
 6. If one of the interrupt sources INTSR1, INTCSI11, and INTIIC11 is generated, bit 6 of the IF1H register is set to 1. Bit 6 of the MK1H, PR01H, and PR11H registers supports these three interrupt sources.
 7. If one of the interrupt sources INTST2 and INTCSI20 is generated, bit 7 of the IF1H register is set to 1. Bit 7 of the MK1H, PR01H, and PR11H registers supports these two interrupt sources.
 8. If one of the interrupt sources INTSR2 and INTCSI21 is generated, bit 0 of the IF2L register is set to 1. Bit 0 of the MK2L, PR02L, and PR12L registers supports these two interrupt sources.

22.3.1 Interrupt request flag registers (IF0L, IF0H, IF1L, IF1H, IF2L, IF2H, IF3L, IF3H)

The interrupt request flags are set to 1 when the corresponding interrupt request is generated or an instruction is executed. They are cleared to 0 when an instruction is executed upon acknowledgment of an interrupt request or upon reset signal generation.

When an interrupt is acknowledged, the interrupt request flag is automatically cleared and then the interrupt routine is entered.

The IF0L, IF0H, IF1L, IF1H, IF2L, IF2H, IF3L and IF3H registers can be set by a 1-bit or 8-bit memory manipulation instruction. When the IF0L and IF0H registers, the IF1L and IF1H registers, and the IF2L and IF2H and the IF3L and IF3H registers are combined to form 16-bit registers IF0, IF1, IF2 and IF3 they can be set by a 16-bit memory manipulation instruction.

Reset signal generation clears these registers to 00H.

Remark If an instruction that writes data to this register is executed, the number of instruction execution clocks increases by 2 clocks.

Figure 22-2. Format of Interrupt Request Flag Registers (IF0L, IF0H, IF1L, IF1H, IF2L, IF2H, IF3L, IF3H) (1/2)

Address: FFFE0H After reset: 00H R/W

Symbol	<7>	<6>	<5>	<4>	<3>	<2>	<1>	<0>
IF0L	PIF5 CMPIF0	PIF4 SPMIF	PIF3	PIF2	PIF1	PIF0	LVIIIF	WDTIIF

Address: FFFE1H After reset: 00H R/W

Symbol	<7>	<6>	<5>	<4>	<3>	<2>	<1>	<0>
IF0H	LIN0TRMIF	RAMIF	TRJIIF0	TRDIF1	TRDIF0	SRIF0 CSIIIF01 IICIF01	STIF0 CSIIIF00 IICIF00	CLMIF PIF13

Address: FFFE2H After reset: 00H R/W

Symbol	<7>	<6>	<5>	<4>	<3>	<2>	<1>	<0>
IF1L	TMIF03 LIN2STAIF LIN2IF	TMIF02 LIN2RVCIF	TMIF01 LIN2TRMIF	TMIF00	PIF8 RTCIF	IICAIF0	LIN0STAIF LIN0IF	LIN0RVCIF

Address: FFFE3H After reset: 00H R/W

Symbol	<7>	<6>	<5>	<4>	<3>	<2>	<1>	<0>
IF1H	TMIF04 STIF2 CSIIIF20	SRIF1 CSIIIF11 IICIF11 IEBBTVIF	STIF1 CSIIIF10 IICIF10 IEBBTDIF	PIF10 TMIF03H	PIF9 TMIF01H	PIF7 TMIF13H	PIF6 TMIF11H	ADIF

Address: FFFD0H After reset: 00H R/W

Symbol	<7>	<6>	<5>	<4>	<3>	<2>	<1>	<0>
IF2L	CAN0CFRIF	CAN0WUPIF	CAN0ERRIF	KRIF	PIF11 LIN0WUPIF	PIF15 TMIF07	TMIF06 SREIF2	TMIF05 SRIF2 CSIIIF21

Figure 22-2. Format of Interrupt Request Flag Registers (IF0L, IF0H, IF1L, IF1H, IF2L, IF2H, IF3L, IF3H) (2/2)

Address: FFFD1H After reset: 00H R/W

Symbol	<7>	<6>	5	<4>	<3>	<2>	<1>	<0>
IF2H	FLIF	TMIF13 TMIF23	TMIF12 TMIF22	TMIF11 TMIF21	TMIF10 TMIF20	CANGERRIF	CANGREFRIF	CAN0TRMIF

Address: FFFD2H After reset: 00H R/W

Symbol	<7>	<6>	<5>	<4>	<3>	<2>	<1>	<0>
IF3L	TMIF17 TMIF27	TMIF16 TMIF26	TMIF15 TMIF25	TMIF14 TMIF24	LIN1STAIF LIN1IF	LIN1RVCIF	LIN1TRMIF	PIF12 LIN1WUPIF

Address: FFFD3H After reset: 00H R/W

Symbol	7	6	5	<4>	<3>	<2>	<1>	<0>
IF3H	–	–	–	PIF14 LIN2WUPIF	CAN1TRMIF	CAN1CFRIF	CAN1WUPIF	CAN1ERRIF

IFxx	Interrupt request flag
0	No interrupt request signal is generated
1	Interrupt request is generated, interrupt request status

- Cautions**
1. The above is the bit layout for the 144-pin. The available bits differ depending on the product. For details about the bits available for each product, see Table 22-2. Be sure to clear bits that are not available to 0.
 2. When operating a timer, serial interface, or A/D converter after standby release, operate it once after clearing the interrupt request flag. An interrupt request flag may be set by noise.
 3. When manipulating a flag of the interrupt request flag register, use a 1-bit memory manipulation instruction (CLR1). When describing in C language, use a bit manipulation instruction such as “IF0L.0 = 0;” or “_asm(“clr1 IF0L, 0”);” because the compiled assembler must be a 1-bit memory manipulation instruction (CLR1). If a program is described in C language using an 8-bit memory manipulation instruction such as “IF0L &= 0xfe;” and compiled, it becomes the assembler of three instructions.


```

mov a, IF0L
and a, #0FEH
mov IF0L, a
            
```

In this case, even if the request flag of the another bit of the same interrupt request flag register (IF0L) is set to 1 at the timing between “mov a, IF0L” and “mov IF0L, a”, the flag is cleared to 0 at “mov IF0L, a”. Therefore, care must be exercised when using an 8-bit memory manipulation instruction in C language.

22.3.2 Interrupt mask flag registers (MK0L, MK0H, MK1L, MK1H, MK2L, MK2H, MK3L, MK3H)

The interrupt mask flags are used to enable/disable the corresponding maskable interrupt servicing.

The MK0L, MK0H, MK1L, MK1H, MK2L, MK2H, MK3L and MK3H registers can be set by a 1-bit or 8-bit memory manipulation instruction. When the MK0L and MK0H registers, the MK1L and MK1H registers, and the MK2L and MK2H registers, and the MK3L and MK3H registers are combined to form 16-bit registers MK0, MK1, MK2 and MK3 they can be set by a 16-bit memory manipulation instruction.

Reset signal generation sets these registers to FFH.

Remark If an instruction that writes data to this register is executed, the number of instruction execution clocks increases by 2 clocks.

Figure 22-3. Format of Interrupt Mask Flag Registers (MK0L, MK0H, MK1L, MK1H, MK2L, MK2H, MK3L, MK3H)
(1/2)

Address: FFFE4H After reset: FFH R/W

Symbol	<7>	<6>	<5>	<4>	<3>	<2>	<1>	<0>
MK0L	PMK5 CMPMK0	PMK4 SPMMK	PMK3	PMK2	PMK1	PMK0	LVIMK	WDTIMK

Address: FFFE5H After reset: FFH R/W

Symbol	<7>	<6>	<5>	<4>	<3>	<2>	<1>	<0>
MK0H	LIN0TRMMK	RAMMK	TRJMK0	TRDMK1	TRDMK0	SRMK0 CSIMK01 IICMK01	STMK0 CSIMK00 IICMK00	CLMMK PMK13

Address: FFFE6H After reset: FFH R/W

Symbol	<7>	<6>	<5>	<4>	<3>	<2>	<1>	<0>
MK1L	TMMK03 LIN2STAMK LIN2MK	TMMK02 LIN2RVCМК	TMMK01 LIN2TRMMK	TMMK00	PMK8 RTCMK	IICAMK0	LIN0STAMK LIN0MK	LIN0RVCМК

Address: FFFE7H After reset: FFH R/W

Symbol	<7>	<6>	<5>	<4>	<3>	<2>	<1>	<0>
MK1H	TMMK04 STMK2 CSIMK20	SRMK1 CSIMK11 IICMK11 IEBBTVMK	STMK1 CSIMK10 IICMK10 IEBBTDMK	PMK10 TMMK03H	PMK9 TMMK01H	PMK7 TMMK13H	PMK6 TMMK11H	ADMK

Address: FFFD4H After reset: FFH R/W

Symbol	<7>	<6>	<5>	<4>	<3>	<2>	<1>	<0>
MK2L	CANOCFRMK	CANOWUPMK	CANOERRMK	KRMK	PMK11 LINOWUPMK	PMK15 TMMK07	TMMK06 SREMK2	TMMK05 SRMK2 CSIMK21

Address: FFFD5H After reset: FFH R/W

Symbol	<7>	<6>	<5>	<4>	<3>	<2>	<1>	<0>
MK2H	FLMK	TMMK13 TMMK23	TMMK12 TMMK22	TMMK11 TMMK21	TMMK10 TMMK20	CANGERRMK	CANGRFRMK	CAN0TRMMK

Address: FFFD6H After reset: FFH R/W

Symbol	<7>	<6>	<5>	<4>	<3>	<2>	<1>	<0>
MK3L	TMMK17 TMMK27	TMMK16 TMMK26	TMMK15 TMMK25	TMMK14 TMMK24	LIN1STAMK LIN1MK	LIN1RVCМК	LIN1TRMMK	PMK12 LIN1WUPMK

**Figure 22-3. Format of Interrupt Mask Flag Registers (MK0L, MK0H, MK1L, MK1H, MK2L, MK2H, MK3L, MK3H)
(2/2)**

Address: FFFD7H After reset: FFH R/W

Symbol	7	6	5	<4>	<3>	<2>	<1>	<0>
MK3H	–	–	–	PMK14 LIN2WUPMK	CAN1TRMMK	CAN1CFRMK	CAN1WUPMK	CAN1ERRMK

MKxx	Interrupt servicing control
0	Interrupt servicing enabled
1	Interrupt servicing disabled

Caution The above is the bit layout for the 144-pin. The available bits differ depending on the product. For details about the bits available for each product, see Table 22-2. Be sure to set bits that are not available to 1.

22.3.3 Priority specification flag registers (PR00L, PR00H, PR01L, PR01H, PR02L, PR02H, PR03L, PR03H, PR10L, PR10H, PR11L, PR11H, PR12L, PR12H, PR13L, PR13H)

The priority specification flag registers are used to set the corresponding maskable interrupt priority level.

A priority level is set by using the PR0xy and PR1xy registers in combination (xy = 0L, 0H, 1L, 1H, 2L, 2H, or 3L, 3H).

The PR00L, PR00H, PR01L, PR01H, PR02L, PR02H, PR03L, PR03H, PR10L, PR10H, PR11L, PR11H, PR12L, PR12H, PR13L and the PR13H registers can be set by a 1-bit or 8-bit memory manipulation instruction. If the PR00L and PR00H registers, the PR01L and PR01H registers, the PR02L and PR02H registers, the PR10L and PR10H registers, the PR11L and PR11H registers, the PR12L and PR12H registers, and the PR03L and PR03H registers are combined to form 16-bit registers PR00, PR01, PR02, PR03, PR10, PR11, PR12 and PR13, they can be set by a 16-bit memory manipulation instruction.

Reset signal generation sets these registers to FFH.

Remark If an instruction that writes data to this register is executed, the number of instruction execution clocks increases by 2 clocks.

Figure 22-4. Format of Priority Specification Flag Registers (PR00L, PR00H, PR01L, PR01H, PR02L, PR02H, PR03L, PR03H, PR10L, PR10H, PR11L, PR11H, PR12L, PR12H, PR13L, PR13H) (1/3)

Address: FFFE8H After reset: FFH R/W

Symbol	<7>	<6>	<5>	<4>	<3>	<2>	<1>	<0>
PR00L	PPR05 CMPPR00	PPR04 SPMPR0	PPR03	PPR02	PPR01	PPR00	LVIPR0	WDTIPR0

Address: FFFECH After reset: FFH R/W

Symbol	<7>	<6>	<5>	<4>	<3>	<2>	<1>	<0>
PR10L	PPR15 CMPPR10	PPR14 SPMPR1	PPR13	PPR12	PPR11	PPR10	LVIPR1	WDTIPR1

Address: FFFE9H After reset: FFH R/W

Symbol	<7>	<6>	<5>	<4>	<3>	<2>	<1>	<0>
PR00H	LIN0TRMPR0	RAMPR0	TRJPR00	TRDPR01	TRDPR00	SRPR00 CSIPR001 IICPR001	STPR00 CSIPR000 IICPR000	CLMPR0 PPR013

Address: FFFEDH After reset: FFH R/W

Symbol	<7>	<6>	<5>	<4>	<3>	<2>	<1>	<0>
PR10H	LIN0TRMPR1	RAMPR1	TRJPR10	TRDPR11	TRDPR10	SRPR10 CSIPR101 IICPR101	STPR10 CSIPR100 IICPR100	CLMPR1 PPR113

Address: FFFEAH After reset: FFH R/W

Symbol	<7>	<6>	<5>	<4>	<3>	<2>	<1>	<0>
PR01L	TMPR003 LIN2STAPR0 LIN2PR0	TMPR002 LIN2RVCPR0	TMPR001 LIN2TRMPR0	TMPR000	PPR08 RTCPR0	IICAPR00	LIN0STAPR0 LIN0PR0	LIN0RVCPR0

Figure 22-4. Format of Priority Specification Flag Registers (PR00L, PR00H, PR01L, PR01H, PR02L, PR02H, PR3L, PR03H, PR10L, PR10H, PR11L, PR11H, PR12L, PR12H, PR13L, PR13H) (2/3)

Address: FFFEEH After reset: FFH R/W

Symbol	<7>	<6>	<5>	<4>	<3>	<2>	<1>	<0>
PR11L	TMPR103 LIN2STAPR1 LIN2PR1	TMPR102 LIN2RVCPR1	TMPR101 LIN2TRMPR1	TMPR100	PPR18 RTCPR1	IICAPR10	LIN0STAPR1 LIN0PR1	LIN0RVCPR1

Address: FFFEBH After reset: FFH R/W

Symbol	<7>	<6>	<5>	<4>	<3>	<2>	<1>	<0>
PR01H	TMPR004 STPR02 CSIPR020	SRPR01 CSIPR011 IICPR011 IEBBTVPR0	STPR01 CSIPR010 IICPR010 IEBBTDPR0	PPR010 TMPR003H	PPR09 TMPR001H	PPR07 TMPR013H	PPR06 TMPR011H	ADPR0

Address: FFFEFH After reset: FFH R/W

Symbol	<7>	<6>	<5>	<4>	<3>	<2>	<1>	<0>
PR11H	TMPR104 STPR12 CSIPR120	SRPR11 CSIPR111 IICPR111 IEBBTVPR1	STPR11 CSIPR110 IICPR110 IEBBTDPR1	PPR110T MPR103H	PPR19 TMPR101H	PPR17 TMPR113H	PPR16 TMPR111H	ADPR1

Address: FFFD8H After reset: FFH R/W

Symbol	<7>	<6>	<5>	<4>	<3>	<2>	<1>	<0>
PR02L	CAN0CFRPR0	CAN0WUPPR0	CAN0ERRPR0	KRPR0	PPR011 LIN0WUPPR0	PPR015 TMPR007	TMPR006 SREPR02	TMPR005 SRPR02 CSIPR021

Address: FFFDCH After reset: FFH R/W

Symbol	<7>	<6>	<5>	<4>	<3>	<2>	<1>	<0>
PR12L	CAN0CFRPR1	CAN0WUPPR1	CAN0ERRPR1	KRPR1	PPR111 LIN0WUPPR1	PPR115 TMPR107	TMPR106 SREPR12	TMPR105 SRPR12 CSIPR121

Address: FFFD9H After reset: FFH R/W

Symbol	<7>	<6>	<5>	<4>	<3>	<2>	<1>	<0>
PR02H	FLPR0	TMPR013 TMPR023	TMPR012 TMPR022	TMPR011 TMPR021	TMPR010 TMPR020	CANGERRPR0 CANGFRFRPR0	CANGFRFRPR0	CAN0TRMPR0

Address: FFFDDH After reset: FFH R/W

Symbol	<7>	<6>	<5>	<4>	<3>	<2>	<1>	<0>
PR12H	FLPR1	TMPR113 TMPR123	TMPR112 TMPR122	TMPR111 TMPR121	TMPR110 TMPR120	CANGERRPR1 CANGFRFRPR1	CANGFRFRPR1	CAN0TRMPR1

Figure 22-4. Format of Priority Specification Flag Registers (PR00L, PR00H, PR01L, PR01H, PR02L, PR02H, PR03L, PR03H, PR10L, PR10H, PR11L, PR11H, PR12L, PR12H, PR13L, PR13H) (3/3)

Address: FFFDAH After reset: FFH R/W

Symbol	<7>	<6>	<5>	<4>	<3>	<2>	<1>	<0>
PR03L	TMPR017 TMPR027	TMPR016 TMPR026	TMPR015 TMPR025	TMPR014 TMPR024	LIN1STAPR0 LIN1PR0	LIN1RVCPR0	LIN1TRMPPR0	PPR012 LIN1WUPPR0

Address: FFFDBH After reset: FFH R/W

Symbol	7	6	5	<4>	<3>	<2>	<1>	<0>
PR03H	-	-	-	PPR014 LIN2WUPPR0	CAN1TRMPPR0	CAN1CFRPR0	CAN1WUPPR0	CAN1ERRPR0

Address: FFFDEH After reset: FFH R/W

Symbol	<7>	<6>	<5>	<4>	<3>	<2>	<1>	<0>
PR13L	TMPR117 TMPR127	TMPR116 TMPR126	TMPR115 TMPR125	TMPR114 TMPR124	LIN1STAPR1 LIN1PR1	LIN1RVCPR1	LIN1TRMPPR1	PPR112 LIN1WUPPR1

Address: FFFDFH After reset: FFH R/W

Symbol	7	6	5	<4>	<3>	<2>	<1>	<0>
PR13H	-	-	-	PPR114 LIN2WUPPR1	CAN1TRMPPR1	CAN1CFRPR1	CAN1WUPPR1	CAN1ERRPR1

XXPR1X	XXPR0X	Priority level selection
0	0	Specify level 0 (high priority level)
0	1	Specify level 1
1	0	Specify level 2
1	1	Specify level 3 (low priority level)

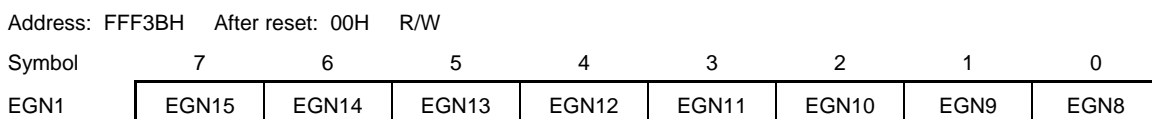
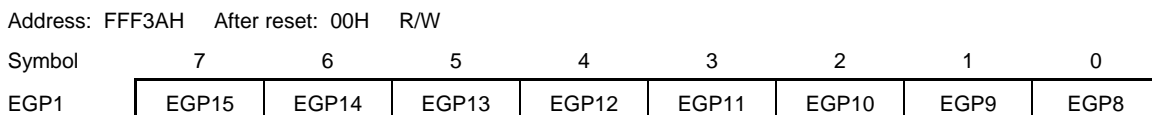
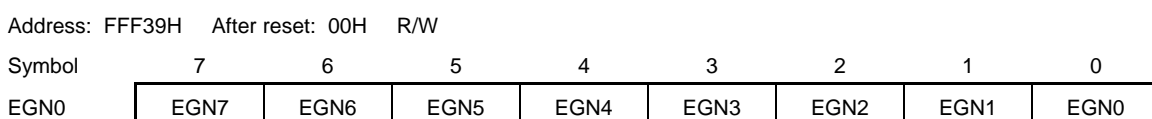
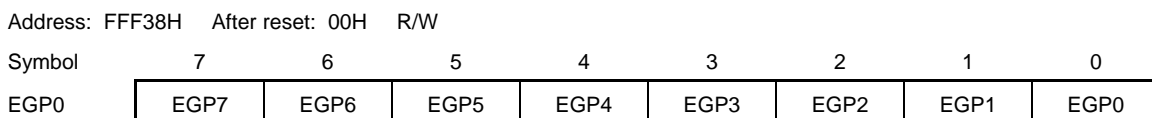
Caution The above is the bit layout for the 144-pin. The available bits differ depending on the product. For details about the bits available for each product, see Table 22-2. Be sure to set bits that are not available to 1.

22.3.4 External interrupt rising edge enable registers (EGP0, EGP1), external interrupt falling edge enable registers (EGN0, EGN1)

These registers specify the valid edge for INTP0 to INTP15.

The EGP0, EGP1, EGN0, and EGN1 registers can be set by a 1-bit or 8-bit memory manipulation instruction. Reset signal generation clears these registers to 00H.

Figure 22-5. Format of External Interrupt Rising Edge Enable Registers (EGP0, EGP1) and External Interrupt Falling Edge Enable Registers (EGN0, EGN1)



EGPn	EGNn	INTPn pin valid edge selection (n = 0 to 15)
0	0	Edge detection disabled
0	1	Falling edge
1	0	Rising edge
1	1	Both rising and falling edges

Table 22-3 shows the ports corresponding to the EGPn and EGNn bits.

Table 22-3. Interrupt request signal to EGPn and EGNn bits

Detection Enable Bit		Edge Detection Port	Interrupt Request Signal	144-pin	100-pin	80-pin	64-pin	48-pin
EGP0	EGN0	P137	INTP0	√	√	√	√	√
EGP1	EGN1	P125	INTP1	√	√	√	√	√
EGP2	EGN2	P30(P31)	INTP2	√	√	√	√	√
EGP3	EGN3	P17 (P50)	INTP3	√	√	√	√	√
EGP4	EGN4	P120	INTP4	√	√	√	√	√
EGP5	EGN5	P12	INTP5	√	√	√	√	√
EGP6	EGN6	P71	INTP6	√	√	√	√	√
EGP7	EGN7	P32	INTP7	√	√	√	√	√
EGP8	EGN8	P70	INTP8	√	√	√	√	√
EGP9	EGN9	P00	INTP9	√	√	√	√	√
EGP10	EGN10	P53	INTP10	√	√	√	√	–
EGP11	EGN11	P51	INTP11/ INTLIN0WUP ^{Note}	√	√	√	√	√
EGP12	EGN12	P77	INTP12/ INTLIN1WUP ^{Note}	√	√	√	√	√
EGP13	EGN13	P47	INTP13	√	√	√	–	–
EGP14	EGN14	P131	INTP14/ INTLIN2WUP ^{Note}	√	√	–	–	–
EGP15	EGN15	P04	INTP15	√	–	–	–	–

Note Set the EGP1 and EGN1 registers before the INTLIN0WUP, INTLIN1WUP and INTLIN2WUP interrupts are generated.

Caution When the input port pins used for the external interrupt functions are switched to the output mode, the INTPn interrupt might be generated upon detection of a valid edge. When switching the input port pins to the output mode, set the port mode register (PMxx) to 0 after disabling the edge detection (by setting EGPn and EGNn to 0).

Remarks 1. For edge detection ports, see 2.1 Pin Function List.
2. n = 0 to 15

22.3.5 Interrupt source determination flag register 0 (INTFLG0)

This register determines which of interrupt sources causes an interrupt, an external interrupt source (INTP4, 5, 8, 13) or other interrupt source that are allocated to the same vector table address as the comparator detection 0 interrupt source.

The flag in this register cannot be set by software.

The flags are cleared by software.

To clear the flag, write 1 to the bits other than the bit desired to be cleared.

Use an 8-bit data transfer instruction as a write instruction.

Figure 22-6. Format of Interrupt Source Determination Flag Register 0 (INTFLG0)

Address: F0079H After reset: 00H R/W

Symbol	7	6	5	4	3	2	1	0
INTFLG0	INTFLG07 Note 2	INTFLG06 Note 1	0	0	0	INTFLG02 Note 2	INTFLG01 Note 2	INTFLG00 Note 2

INTFLG07 Note 2	Interrupt source determination flag at vector table address 00014h
0	An INTP13 interrupt has not been generated.
1	An INTP13 interrupt has been generated.

INTFLG06 Note 1	Interrupt source determination flag at vector table address 00012h
0	A comparator detection 0 interrupt has not been generated.
1	A comparator detection 0 interrupt has been generated.

INTFLG02 Note 2	Interrupt source determination flag at vector table address 0002Ah
0	An INTP8 interrupt has not been generated.
1	An INTP8 interrupt has been generated.

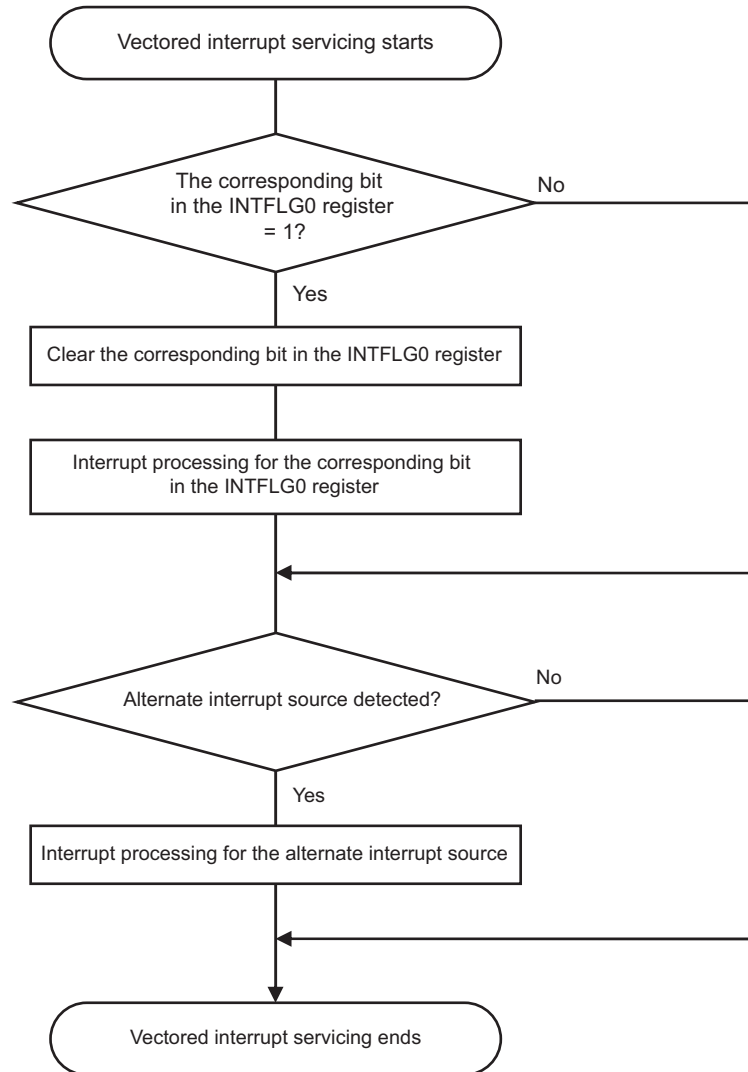
INTFLG01 Note 2	Interrupt source determination flag at vector table address 00012h
0	An INTP5 interrupt has not been generated.
1	An INTP5 interrupt has been generated.

INTFLG00 Note 2	Interrupt source determination flag at vector table address 00010h
0	An INTP4 interrupt has not been generated.
1	An INTP4 interrupt has been generated.

- Notes**
1. Even if the RPTINT bit in the DTCCRj register (j = 0 to 23) is set to 0 (disabling the interrupt while the DTC module is in repeat mode), when the comparator detection 0 interrupt source is generated, the INTFLG06 bit is set to 1. For details, see (A) Internal maskable interrupt (only comparator detection 0 interrupt) in **Figure 22-1. Basic Configuration of Interrupt Function**.
 2. If an INTPn interrupt is generated, the bit m in the interrupt source determination flag register 0 (INTFLG0) is set regardless of the settings of the bits in the interrupt mask flag register (MKxx) and interrupt mask register (INTMSK).
m: Bit number (m = 0, 1, 2, 7), n: INTP interrupt number (n = 4, 5, 8, 13)

The interrupt sources INTP4, INTP5, INTP8, and INTP13 are function-multiplexed with other interrupts. INTFLG0 register is used to determine which of the interrupt sources causes an interrupt. Figure 22-7 shows the flowchart of interrupt processing using the interrupt source determination flag.

Figure 22-7. Flowchart of Interrupt Processing Using the Interrupt Source Determination Flag



22.3.6 Interrupt source determination flag register 1 to 4 (INTFLG1 to 4)

These registers determine which of interrupt sources causes an interrupt, an external interrupt source (INTP15) or other interrupt source that are allocated to the same vector table address.

The flag in these registers cannot be set by software. The flags are cleared by software. To clear the flag, write 1 to the bits other than the bit desired to be cleared. Use an 8-bit data transfer instruction as a write instruction.

Figure 22-8. Format of Interrupt Source Determination Flag Register 1 (INTFLG1)

Address: F007DH After reset: 00H R/W

Symbol	7	6	5	4	3	2	1	0
INTFLG1	INTFLG17	INTFLG16	INTFLG15	INTFLG14	INTFLG13	INTFLG12	INTFLG11	0

INTFLG1n Notes 1, 2	Interrupt source determination flag at TAU0
0	End of TAU0 channel n count/capture interrupt has not been generated.
1	End of TAU0 channel n count/capture interrupt has been generated.

- Notes**
1. $n = 1$ to 7. The determination flag for $n=0$ (TAU0 channel 0) is unnecessary, because it is an independent interrupt source.
 2. Even if the RPTINT is set to 0 (disabling the interrupt while the DTC module is in repeat mode), when an interrupt source is generated, the INTFLG1n bit is set to 1.

Figure 22-9. Format of Interrupt Source Determination Flag Register 2 (INTFLG2)

Address: F0212H After reset: 00H R/W

Symbol	7	6	5	4	3	2	1	0
INTFLG2	INTFLG27 Note2	INTFLG26 Note2	INTFLG25 Note2	INTFLG24 Note2	INTFLG23 Note2	INTFLG22 Note2	INTFLG21 Note2	INTFLG20 Note2
INTFLG2n Notes 1, 2	Interrupt source determination flag at TAU1							
0	End of TAU1 channel n count/capture interrupt has not been generated.							
1	End of TAU1 channel n count/capture interrupt has been generated.							

- Notes**
1. n = 0 to 7
 2. Even if the RPTINT is set to 0 (disabling the interrupt while the DTC module is in repeat mode), when an interrupt source is generated, the INTFLG2n bit is set to 1.

Figure 22-10. Format of Interrupt Source Determination Flag Register 3 (INTFLG3) (144-pin products only)

Address: F0213H After reset: 00H R/W

Symbol	7	6	5	4	3	2	1	0
INTFLG3	INTFLG37	INTFLG36	INTFLG35	INTFLG34	INTFLG33	INTFLG32	INTFLG31	INTFLG30
INTFLG3n Note	Interrupt source determination flag at TAU2							
0	End of TAU2 channel n count/capture interrupt has not been generated.							
1	End of TAU2 channel n count/capture interrupt has been generated.							

Note n = 0 to 7

Figure 22-11. Format of Interrupt Source Determination Flag Register 4 (INTFLG4)

Address: F0214H After reset: 00H R/W

Symbol	7	6	5	4	3	2	1	0
INTFLG4	INTFLG47	INTFLG46	0	INTFLG44	INTFLG43	INTFLG42	INTFLG41	INTFLG40

INTFLG47	Interrupt source determination flag at IEBus vector
0	IEBus vector interrupt has not been generated.
1	IEBus vector interrupt has been generated.

INTFLG46 Note 3	Interrupt source determination flag at IEBus data
0	IEBus data interrupt has not been generated.
1	IEBus data interrupt has been generated.

INTFLG44 Note 3	Interrupt source determination flag at channel 1 of SAU2
0	UART2 reception transfer end, or CSI21 transfer end or buffer empty interrupt has not been generated.
1	UART2 reception transfer end, or CSI21 transfer end or buffer empty interrupt has been generated.

INTFLG43 Note 3	Interrupt source determination flag at channel 0 of SAU2
0	UART2 transfer end, or CSI20 transfer end or buffer empty interrupt has not been generated.
1	UART2 transfer end, or CSI20 transfer end or buffer empty interrupt has been generated.

INTFLG42 Note 3	Interrupt source determination flag at channel 1 of SAU1
0	UART1 reception transfer end, CSI11 transfer end or buffer empty, or IIC11 transfer end interrupt has not been generated.
1	UART1 reception transfer end, CSI11 transfer end or buffer empty, or IIC11 transfer end interrupt has been generated.

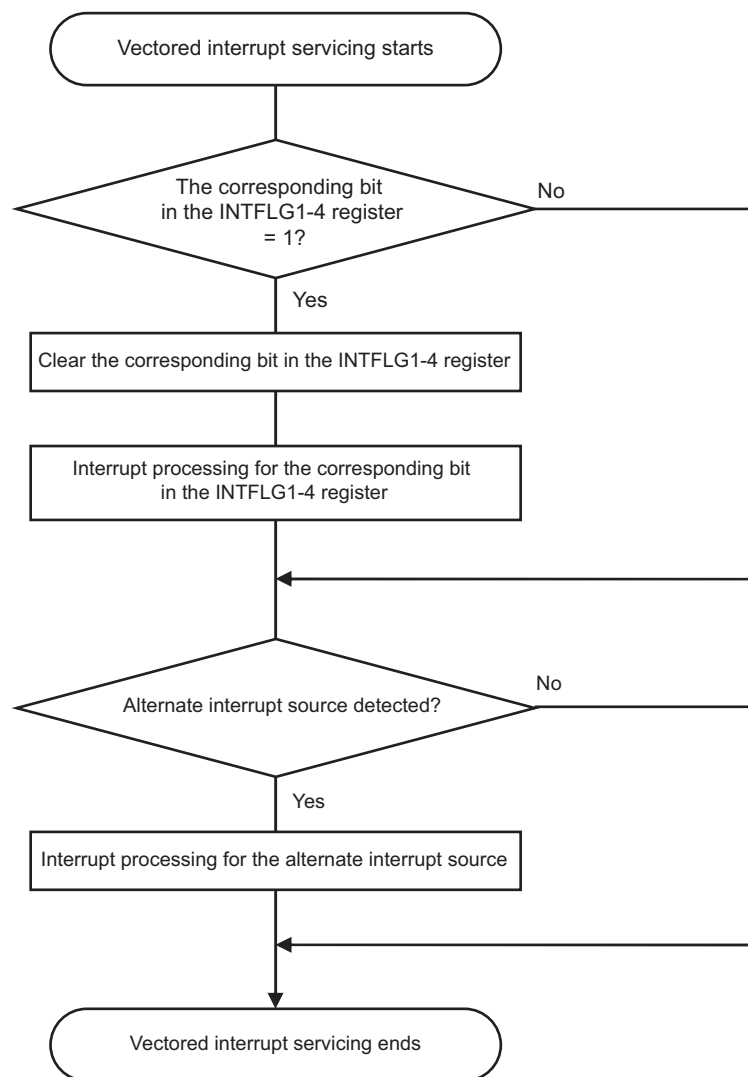
INTFLG41 Note 3	Interrupt source determination flag at channel 0 of SAU1
0	UART1 transmission transfer end or buffer empty, CSI10 transfer end or buffer empty, or IIC10 transfer end interrupt has not been generated.
1	UART1 transmission transfer end or buffer empty, CSI10 transfer end or buffer empty, or IIC10 transfer end interrupt has been generated.

INTFLG40 Notes 1, 2, 3	Interrupt source determination flag at INTP15
0	INTP15 interrupt has not been generated.
1	INTP15 interrupt has been generated.

(Notes are listed on the next page.)

- Notes**
1. Only in 144-pin products.
 2. If an INTP15 interrupt is generated, INTFLG40 is set to 1 regardless of the settings of the bits in the interrupt mask flag register (MKxx) and interrupt mask register (INTMSK).
 3. Even if the RPTINT is set to 0 (disabling the interrupt while the DTC module is in repeat mode), when interrupts are generated, INTFLG40 to INTFLG46 bits are set to 1.

Figure 22-12. Flowchart of Interrupt Processing Using the Interrupt Source Determination Flag



22.3.7 Interrupt mask register (INTMSK)

The interrupt mask register in the interrupt control circuit is used to mask interrupt requests corresponding to an INTP_n interrupt that is to be used as an event signal for the ELC or a source for DTC activation.

This register can be set by an 8-bit memory manipulation instruction
 Reset signal generation sets this register to FFH.

Figure 22-13. Format of Interrupt Mask Register (INTMSK)

Address: F007CH After reset: FFH R/W

Symbol	7	6	5	4	3	2	1	0
INTMSK	1	1	1	1	INTMSK3	INTMSK2	INTMSK1	INTMSK0

INTMSK3	Setting masking for INTP15 interrupt source to the interrupt control circuit ^{Notes 1, 2}
0	Requests to the interrupt control circuit and DTC are enabled.
1	Requests to the interrupt control circuit are disabled, and requests to DTC are enabled.

INTMSK2	Setting masking for INTP6 interrupt source to the interrupt control circuit ^{Note 1}
0	Requests to the interrupt control circuit and DTC are enabled.
1	Requests to the interrupt control circuit are disabled, and requests to DTC are enabled.

INTMSK1	Setting masking for INTP5 interrupt source to the interrupt control circuit ^{Note 1}
0	Requests to the interrupt control circuit, ELC, and DTC are enabled.
1	Requests to the interrupt control circuit are disabled, and requests to ELC and DTC are enabled.

INTMSK0	Setting masking for INTP4 interrupt source to the interrupt control circuit ^{Note 1}
0	Requests to the interrupt control circuit, ELC, and DTC are enabled.
1	Requests to the interrupt control circuit are disabled, and requests to ELC and DTC are enabled.

- Notes**
1. If an INTP_n interrupt is generated, the interrupt source determination flag register (INTFLG0 or INTFLG4) are set to 1 regardless of the setting of the bit in the interrupt mask register.
 n: INTP interrupt number (n = 4, 5, 15)
 2. Only in 144-pin products.

22.3.8 Input switch control register (ISC)

The ISC0 bit of the ISC register is used for the LIN-bus communication with UART0. The ISC2, ISC3 and ISC4 bits are used for the LIN/UART module (RLIN3). When the ISC0 bit is set to 1, set the TIS17 and TIS16 bits in the TIS1 register (timer input select register 1) at the same time.

Setting bit 0 to 1 selects the input signal of the serial data input pin (RXD0) as the external interrupt input (INTP0), which allows detection of the wakeup signal by the INTP0 interrupt.

Setting bits 2 to 4 to 1 select the input signal of the serial data input pin (RXD0) for the LIN/UART module as the external interrupt input.

This register can be set by an 8-bit memory manipulation instruction.

Reset signal generation sets this register to 00H.

Figure 22-14. Format of Input Switch Control Register (ISC)

Address: F0073H After reset: 00H R/W

Symbol	7	6	5	4	3	2	1	0
ISC	0	0	0	ISC4	ISC3	ISC2	0	ISC0

ISC4 ^{Note}	Input selection for external interrupt INTP14
0	INTP14 pin input signal is selected as external interrupt input.
1	LRXD2 pin input signal is selected as external interrupt input.

ISC3	Input selection for external interrupt INTP12
0	INTP12 pin input signal is selected as external interrupt input.
1	LRXD1 pin input signal is selected as external interrupt input.

ISC2	Input selection for external interrupt INTP11
0	INTP11 pin input signal is selected as external interrupt input.
1	LRXD0 pin input signal is selected as external interrupt input.

ISC0	Input selection for external interrupt INTP0
0	INTP0 pin input signal is selected as external interrupt input. (normal operation)
1	RXD0 pin input signal is selected as external interrupt input. (wake-up signal detection)

Note Only in 144-, 100-pin products.

Caution Bits 7 to 5 and 1 should always be set to 0.
Be sure to set the ISC4 bit to 0 in 80-, 64-, 48-pin products.

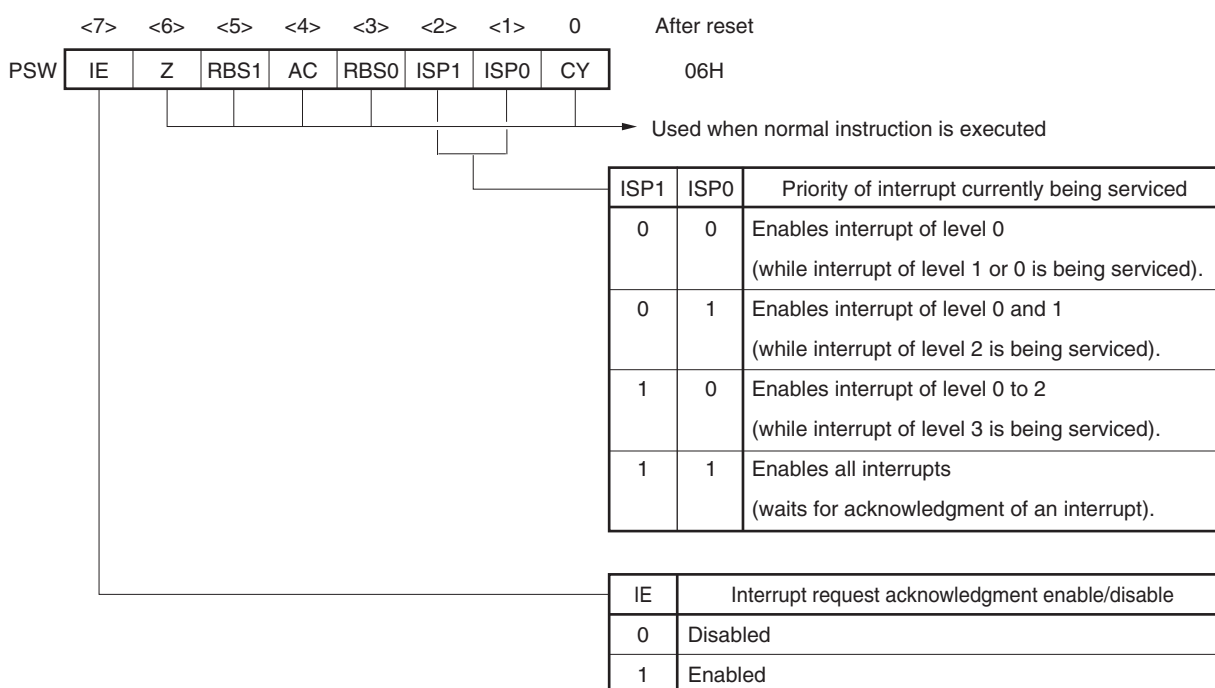
22.3.9 Program status word (PSW)

The program status word is a register used to hold the instruction execution result and the current status for an interrupt request. The IE flag that sets maskable interrupt enable/disable and the ISP0 and ISP1 flags that control multiple interrupt servicing are mapped to the PSW.

Besides 8-bit read/write, this register can carry out operations using bit manipulation instructions and dedicated instructions (EI and DI). When a vectored interrupt request is acknowledged, if the BRK instruction is executed, the contents of the PSW are automatically saved into a stack and the IE flag is reset to 0. When a maskable interrupt request is acknowledged, if the value of the bits in the priority specification flag register which correspond to that interrupt is not 00, the value minus 1 is transferred to the ISP0 and ISP1 flags. The PSW contents are also saved into the stack with the PUSH PSW instruction. They are restored from the stack with the RETI, RETB, and POP PSW instructions.

Reset signal generation sets PSW to 06H.

Figure 22-15. Configuration of Program Status Word



22.4 Interrupt Servicing Operations

22.4.1 Maskable interrupt request acknowledgment

A maskable interrupt request becomes acknowledgeable when the interrupt request flag is set to 1 and the mask (MK) flag corresponding to that interrupt request is cleared to 0. A vectored interrupt request is acknowledged if interrupts are in the interrupt enabled state (when the IE flag is set to 1). However, a low-priority interrupt request is not acknowledged during servicing of a higher priority interrupt request.

The times from generation of a maskable interrupt request until vectored interrupt servicing is performed are listed in Table 22-4 below.

For the interrupt request acknowledgment timing, see **Figures 22-17** and **22-18**.

Table 22-4. Time from Generation of Maskable Interrupt Until Servicing

	Minimum Time	Maximum Time ^{Note}
Servicing time	9 clocks	16 clocks

Note Maximum time does not apply when an instruction from the internal RAM area is executed.

Remark 1 clock: $1/f_{CLK}$ (f_{CLK} : CPU clock)

If two or more maskable interrupt requests are generated simultaneously, the request with a higher priority level specified in the priority specification flag is acknowledged first. If two or more interrupts requests have the same priority level, the request with the highest default priority is acknowledged first.

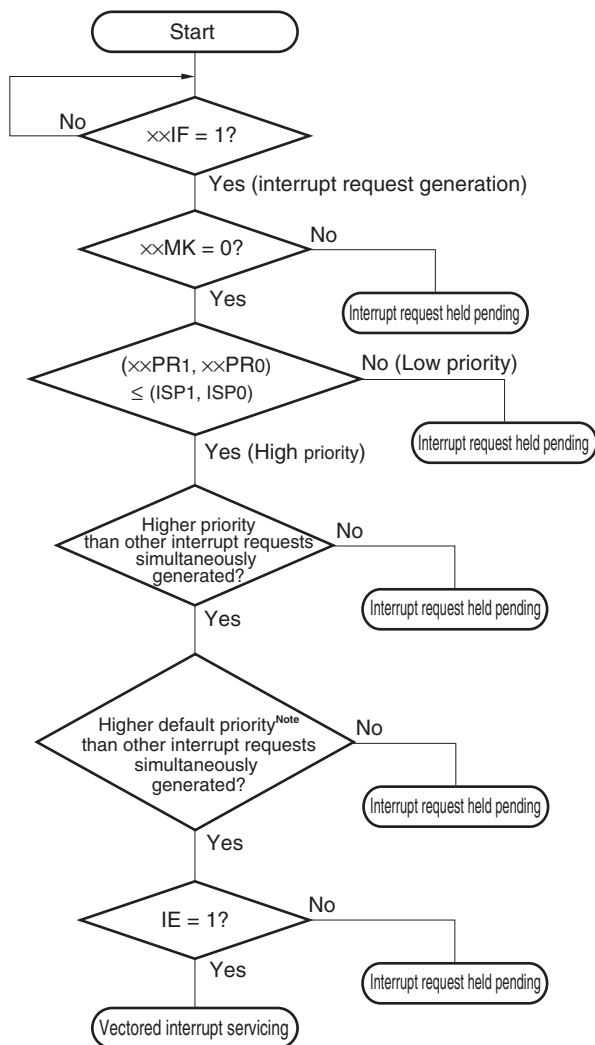
An interrupt request that is held pending is acknowledged when it becomes acknowledgeable.

Figure 22-16 shows the interrupt request acknowledgment algorithm.

If a maskable interrupt request is acknowledged, the contents are saved into the stacks in the order of program status word (PSW), then program counter (PC), the IE flag is reset (0), and the contents of the priority specification flag corresponding to the acknowledged interrupt are transferred to the ISP1 and ISP0 flags. The vector table data determined for each interrupt request is loaded into the PC and branched.

Restoring from an interrupt is possible by using the RETI instruction.

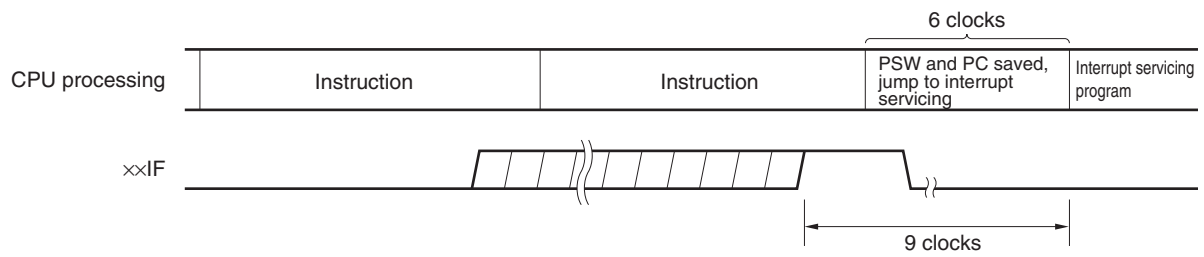
Figure 22-16. Interrupt Request Acknowledgment Processing Algorithm



- xxIF: Interrupt request flag
- xxMK: Interrupt mask flag
- xxPR0: Priority specification flag 0
- xxPR1: Priority specification flag 1
- IE: Flag that controls acknowledgment of maskable interrupt request (1 = Enable, 0 = Disable)
- ISP0, ISP1: Flag that indicates the priority level of the interrupt currently being serviced

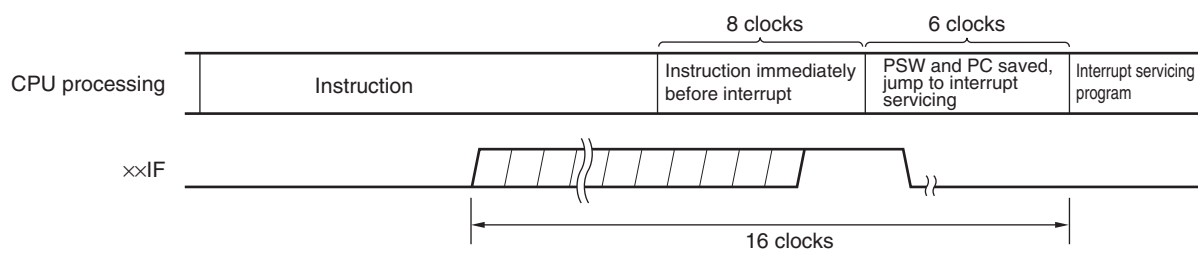
Note For the default priority, see **Table 22-1 Interrupt Source List**.

Figure 22-17. Interrupt Request Acknowledgment Timing (Minimum Time)



Remark 1 clock: $1/f_{CLK}$ (f_{CLK} : CPU clock)

Figure 22-18. Interrupt Request Acknowledgment Timing (Maximum Time)



Remark 1 clock: $1/f_{CLK}$ (f_{CLK} : CPU clock)

22.4.2 Software interrupt request acknowledgment

A software interrupt request is acknowledged by BRK instruction execution. Software interrupts cannot be disabled.

If a software interrupt request is acknowledged, the contents are saved into the stacks in the order of the program status word (PSW), then program counter (PC), the IE flag is reset (0), and the contents of the vector table (0007EH, 0007FH) are loaded into the PC and branched.

Restoring from a software interrupt is possible by using the RETB instruction.

Caution Can not use the RETI instruction for restoring from the software interrupt.

22.4.3 Multiple interrupt servicing

Multiple interrupt servicing occurs when another interrupt request is acknowledged during execution of an interrupt.

Multiple interrupt servicing does not occur unless the interrupt request acknowledgment enabled state is selected (IE = 1). When an interrupt request is acknowledged, interrupt request acknowledgment becomes disabled (IE = 0). Therefore, to enable multiple interrupt servicing, it is necessary to set (1) the IE flag with the EI instruction during interrupt servicing to enable interrupt acknowledgment.

Moreover, even if interrupts are enabled, multiple interrupt servicing may not be enabled, this being subject to interrupt priority control. Two types of priority control are available: default priority control and programmable priority control. Programmable priority control is used for multiple interrupt servicing.

In the interrupt enabled state, if an interrupt request with a priority higher than that of the interrupt currently being serviced is generated, it is acknowledged for multiple interrupt servicing. If an interrupt with a priority equal to or lower than that of the interrupt currently being serviced is generated during interrupt servicing, it is not acknowledged for multiple interrupt servicing. However, when setting the IE flag to 1 during the interruption at level 0, other level 0 interruptions can be allowed.

Interrupt requests that are not enabled because interrupts are in the interrupt disabled state or because they have a lower priority are held pending. When servicing of the current interrupt ends, the pending interrupt request is acknowledged following execution of at least one main processing instruction execution.

Table 22-5 shows relationship between interrupt requests enabled for multiple interrupt servicing and Figure 22-19 shows multiple interrupt servicing examples.

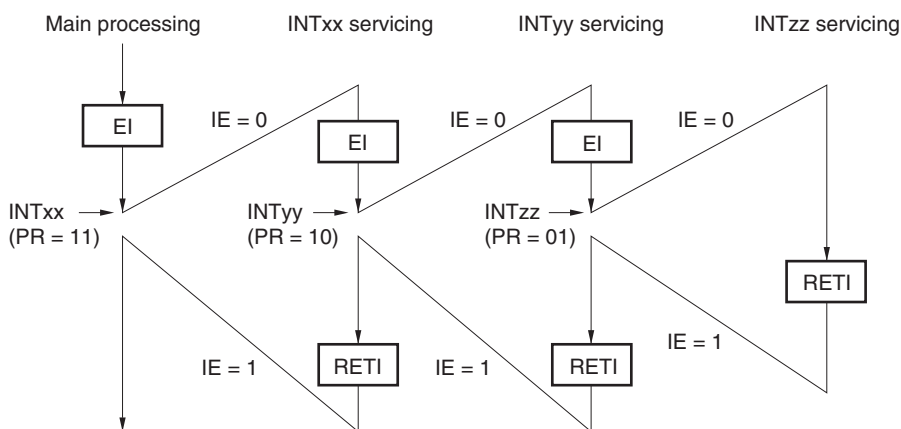
Table 22-5. Relationship Between Interrupt Requests Enabled for Multiple Interrupt Servicing During Interrupt Servicing

Multiple Interrupt Request Interrupt Being Serviced		Maskable Interrupt Request								Software Interrupt Request
		Priority Level 0 (PR = 00)		Priority Level 1 (PR = 01)		Priority Level 2 (PR = 10)		Priority Level 3 (PR = 11)		
		IE = 1	IE = 0	IE = 1	IE = 0	IE = 1	IE = 0	IE = 1	IE = 0	
Maskable interrupt	ISP1 = 0 ISP0 = 0	○	×	×	×	×	×	×	×	○
	ISP1 = 0 ISP0 = 1	○	×	○	×	×	×	×	×	○
	ISP1 = 1 ISP0 = 0	○	×	○	×	○	×	×	×	○
	ISP1 = 1 ISP0 = 1	○	×	○	×	○	×	○	×	○
Software interrupt		○	×	○	×	○	×	○	×	○

- Remarks**
- : Multiple interrupt servicing enabled
 - ×: Multiple interrupt servicing disabled
 - ISP0, ISP1, and IE are flags contained in the PSW.
 - ISP1 = 0, ISP0 = 0: Enables interrupt of level 0 (an interrupt of level 1 or level 0 is being serviced).
 - ISP1 = 0, ISP0 = 1: Enables interrupt of level 0 and 1 (an interrupt of level 2 is being serviced).
 - ISP1 = 1, ISP0 = 0: Enables interrupt of level 0 to 2 (an interrupt of level 3 is being serviced).
 - ISP1 = 1, ISP0 = 1: Enables all interrupts (wait for an interrupt acknowledgment).
 - IE = 0: Interrupt request acknowledgment is disabled.
 - IE = 1: Interrupt request acknowledgment is enabled.
 - PR is a flag contained in the PR00L, PR00H, PR01L, PR01H, PR02L, PR02H, PR03L, PR03H, PR10L, PR10H, PR11L, PR11H, PR12L, PR12H, PR13L and PR13H registers.
 - PR = 00: Specify level 0 with $\text{xxPR1x} = 0, \text{xxPR0x} = 0$ (higher priority level)
 - PR = 01: Specify level 1 with $\text{xxPR1x} = 0, \text{xxPR0x} = 1$
 - PR = 10: Specify level 2 with $\text{xxPR1x} = 1, \text{xxPR0x} = 0$
 - PR = 11: Specify level 3 with $\text{xxPR1x} = 1, \text{xxPR0x} = 1$ (lower priority level)

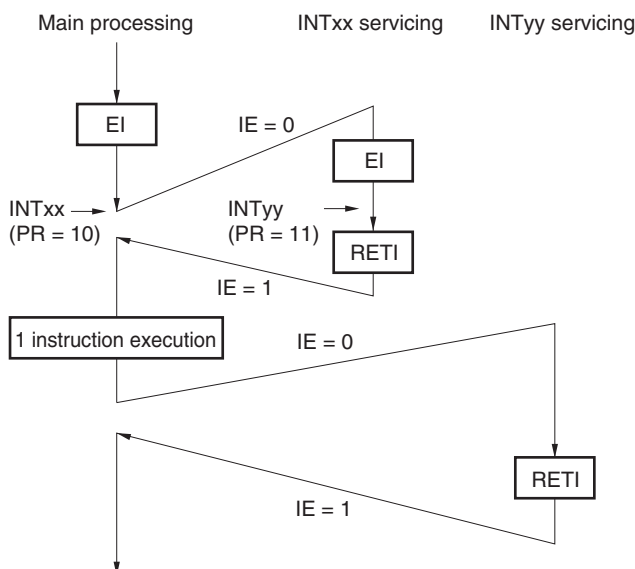
Figure 22-19. Examples of Multiple Interrupt Servicing (1/2)

Example 1. Multiple interrupt servicing occurs twice



During servicing of interrupt INTxx, two interrupt requests, INTyy and INTzz, are acknowledged, and multiple interrupt servicing takes place. Before each interrupt request is acknowledged, the EI instruction must always be issued to enable interrupt request acknowledgment.

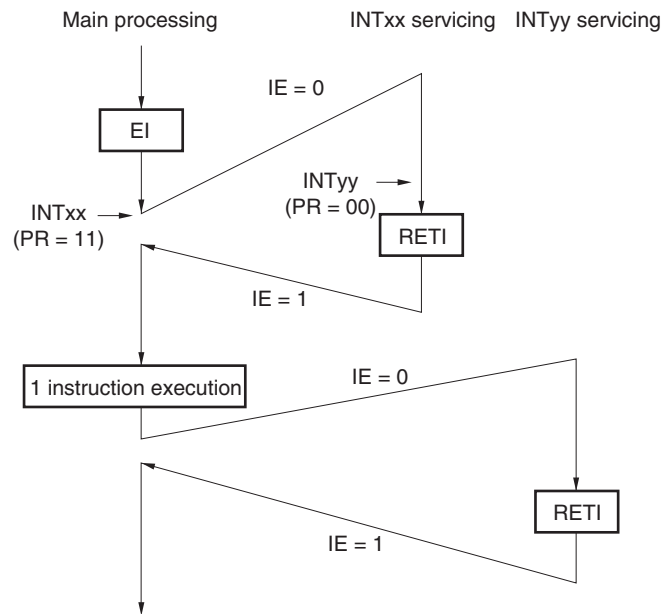
Example 2. Multiple interrupt servicing does not occur due to priority control



Interrupt request INTyy issued during servicing of interrupt INTxx is not acknowledged because its priority is lower than that of INTxx, and multiple interrupt servicing does not take place. The INTyy interrupt request is held pending, and is acknowledged following execution of one main processing instruction.

- PR = 00: Specify level 0 with $\times\times PR1\times = 0, \times\times PR0\times = 0$ (higher priority level)
- PR = 01: Specify level 1 with $\times\times PR1\times = 0, \times\times PR0\times = 1$
- PR = 10: Specify level 2 with $\times\times PR1\times = 1, \times\times PR0\times = 0$
- PR = 11: Specify level 3 with $\times\times PR1\times = 1, \times\times PR0\times = 1$ (lower priority level)
- IE = 0: Interrupt request acknowledgment is disabled
- IE = 1: Interrupt request acknowledgment is enabled.

Figure 22-19. Examples of Multiple Interrupt Servicing (2/2)

Example 3. Multiple interrupt servicing does not occur because interrupts are not enabled

Interrupts are not enabled during servicing of interrupt INTxx (EI instruction is not issued), therefore, interrupt request INTyy is not acknowledged and multiple interrupt servicing does not take place. The INTyy interrupt request is held pending, and is acknowledged following execution of one main processing instruction.

PR = 00: Specify level 0 with $\times\times PR1\times = 0$, $\times\times PR0\times = 0$ (higher priority level)

PR = 01: Specify level 1 with $\times\times PR1\times = 0$, $\times\times PR0\times = 1$

PR = 10: Specify level 2 with $\times\times PR1\times = 1$, $\times\times PR0\times = 0$

PR = 11: Specify level 3 with $\times\times PR1\times = 1$, $\times\times PR0\times = 1$ (lower priority level)

IE = 0: Interrupt request acknowledgment is disabled

IE = 1: Interrupt request acknowledgment is enabled.

22.4.4 Interrupt servicing during division instruction

The RL78/F15 handles interrupts during the DIVHU/DIVWU instruction in order to enhance the interrupt response when a division instruction is executed.

- When an interrupt is generated while the DIVHU/DIVWU instruction is executed, the instruction is suspended
- After the instruction is suspended, the PC indicates the next instruction after DIVHU/DIVWU
- An interrupt is generated by the next instruction
- PC-3 is saved in the stack memory to execute the DIVHU/DIVWU instruction again

Table 22-6. Normal Interrupt Processing and Interrupt Processing while Executing Division Instructions

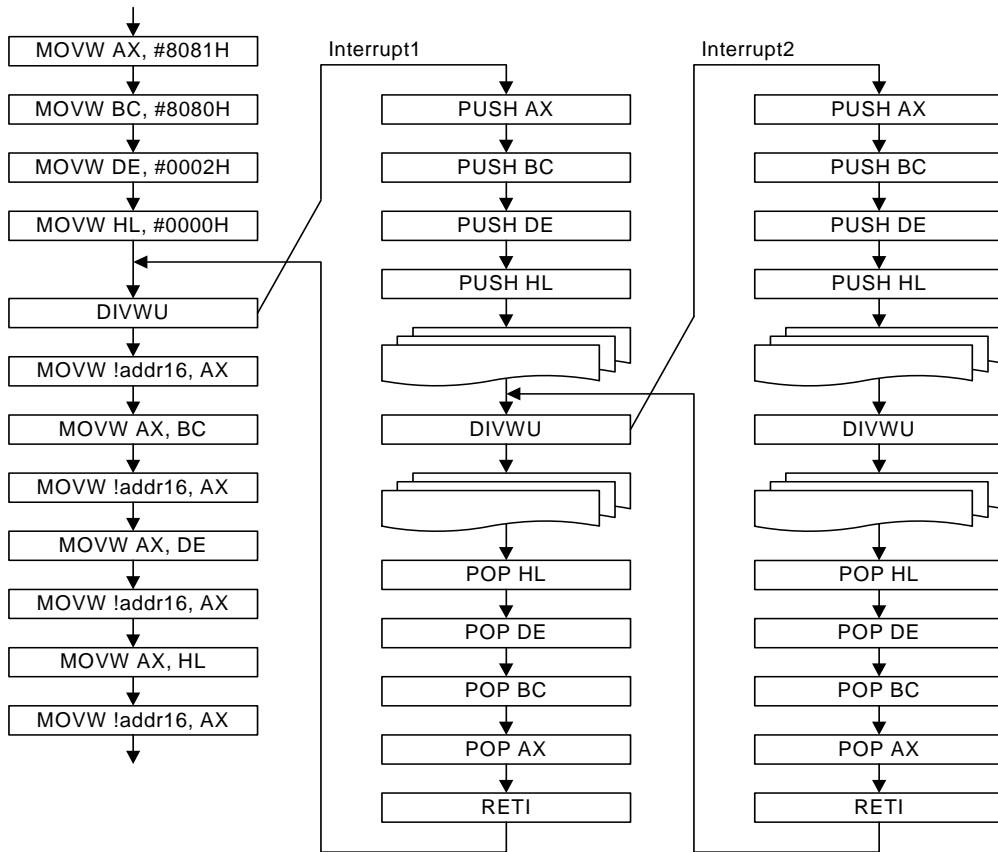
Normal interrupt	Interrupts while Executing DIVHU/DIVWU Instruction
$(SP-1) \leftarrow PSW$	$(SP-1) \leftarrow PSW$
$(SP-2) \leftarrow (PC)_s$	$(SP-2) \leftarrow (PC-3)_s$
$(SP-3) \leftarrow (PC)_H$	$(SP-3) \leftarrow (PC-3)_H$
$(SP-4) \leftarrow (PC)_L$	$(SP-4) \leftarrow (PC-3)_L$
$PC_s \leftarrow 0000$	$PC_s \leftarrow 0000$
$PC_H \leftarrow (Vector)$	$PC_H \leftarrow (Vector)$
$PC_L \leftarrow (Vector)$	$PC_L \leftarrow (Vector)$
$SP \leftarrow SP-4$	$SP \leftarrow SP-4$
$IE \leftarrow 0$	$IE \leftarrow 0$

The AX, BC, DE, and HL registers are used for DIVHU/DIVWU. For the interrupt processing, save these registers in the stack memory.

Caution Disable interrupts when executing the DIVHU or DIVWU instruction in an interrupt servicing routine. Alternatively, unless they are executed in the RAM area, note that execution of a DIVHU or DIVWU instruction is possible even with interrupts enabled as long as a NOP instruction is added immediately after the DIVHU or DIVWU instruction in the assembly language source code. The following compilers automatically add a NOP instruction immediately after any DIVHU or DIVWU instruction output during the build process.

- V. 1.71 and later versions of the CA78K0R (Renesas Electronics compiler), for both C and assembly language source code
- Service pack 1.40.3 and later versions of the EWRL78 (IAR compiler), for C language source code
- GNURL78 (KPIT compiler), for C language source code

Figure 22-20. Example of Interrupt during Division Instruction



22.4.5 Interrupt request hold

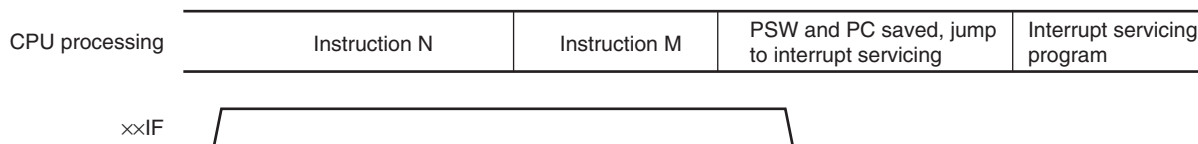
There are instructions where, even if an interrupt request is issued while the instructions are being executed, interrupt request acknowledgment is held pending until the end of execution of the next instruction. These instructions (interrupt request hold instructions) are listed below.

- MOV PSW, #byte
- MOV PSW, A
- MOV1 PSW. bit, CY
- SET1 PSW. bit
- CLR1 PSW. bit
- RETB
- RETI
- POP PSW
- BTCLR PSW. bit, \$addr20
- EI
- DI
- SKC
- SKNC
- SKZ
- SKNZ
- SKH
- SKNH
- MULHU
- MULH
- MACHU
- MACH
- Manipulation instructions for the IF0L, IF0H, IF1L, IF1H, IF2L, IF2H, IF3L, IF3H, MK0L, MK0H, MK1L, MK1H, MK2L, MK2H, MK3L, MK3H, PR00L, PR00H, PR01L, PR01H, PR02L, PR02H, PR03L, PR03H, PR10L, PR10H, PR11L, PR11H, PR12L, PR12H, PR13L and PR13H registers

Caution The BRK instruction is not one of the above-listed interrupt request hold instructions. However, the software interrupt activated by executing the BRK instruction causes the IE flag to be cleared. Therefore, even if a maskable interrupt request is generated during execution of the BRK instruction, the interrupt request is not acknowledged.

Figure 22-21 shows the timing at which interrupt requests are held pending.

Figure 22-21. Interrupt Request Hold



- Remarks**
1. Instruction N: Interrupt request hold instruction
 2. Instruction M: Instruction other than interrupt request hold instruction

CHAPTER 23 KEY INTERRUPT FUNCTION

RL78/F15 has 8 channels of key interrupt.

23.1 Functions of Key Interrupt

A key interrupt (INTKR) can be generated by setting the key return mode register (KRM) and inputting a falling edge to the key interrupt input pins (KR0 to KR7).

Table 23-1. Assignment of Key Interrupt Detection Pins

Flag	Description
KRM0	Controls KR0 signal in 1-bit units.
KRM1	Controls KR1 signal in 1-bit units.
KRM2	Controls KR2 signal in 1-bit units.
KRM3	Controls KR3 signal in 1-bit units.
KRM4	Controls KR4 signal in 1-bit units.
KRM5	Controls KR5 signal in 1-bit units.
KRM6	Controls KR6 signal in 1-bit units.
KRM7	Controls KR7 signal in 1-bit units.

Caution The pin assignment differs depending on the products. The PIOR50 bit can specify which I/O port is assigned to each KRn function. Inputs to the A/D converter are multiplexed with P80 to P87 and P90 to P92, to which the function can be assigned. These pins are used as analog input pins in their initial state. Use the PIOR50 bit and the ADPC register to make the pins operate as digital input pins before using the key interrupt function. For details of the PIOR50 bit and the ADPC register, refer to 4.3.14 Peripheral I/O redirection register 5 (PIOR5) and 12.3.11 A/D port configuration register (ADPC).

- Remarks**
- n = 0 to 7
 - For the 48-pin products, available number of interrupts depends on the setting of the PIOR50 bit as shown below.
 - When PIOR50 is set to 0: KR0 to KR3
 - When PIOR50 is set to 1: KR0 to KR7

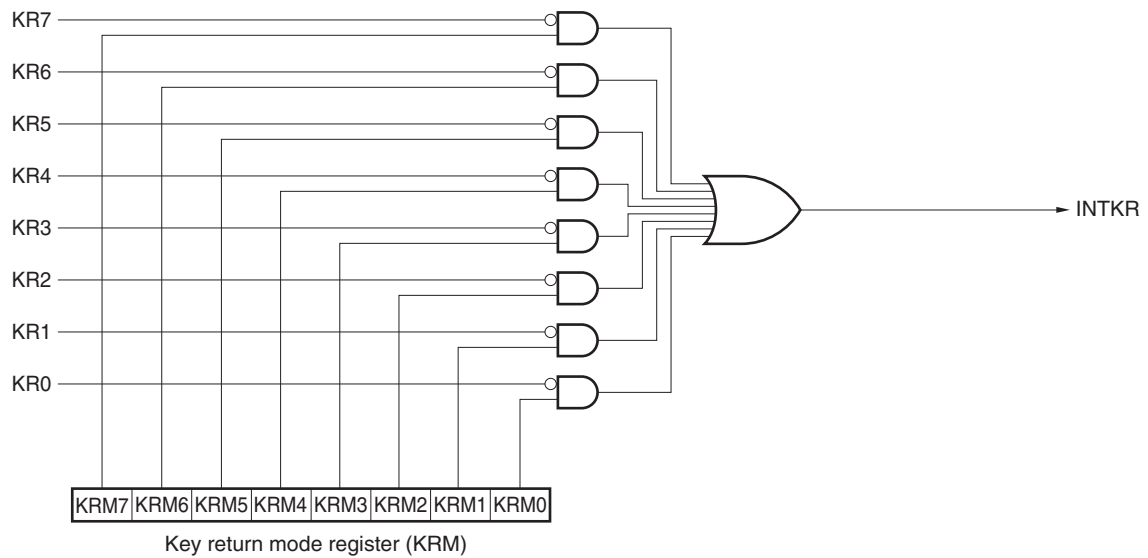
23.2 Configuration of Key Interrupt

Table 23-2 shows the configuration of the key interrupt. Figure 23-1 is the block diagram of the key interrupt.

Table 23-2. Configuration of Key Interrupt

Item	Configuration
Control register	Key return mode register (KRM)

Figure 23-1. Block Diagram of Key Interrupt



23.3 Register Controlling Key Interrupt

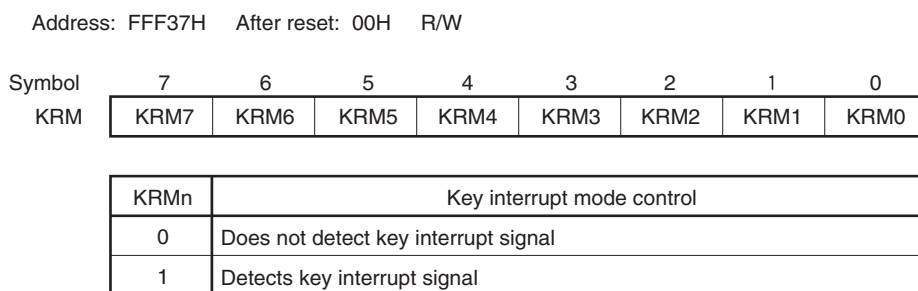
23.3.1 Key return mode register (KRM)

The KRM0 to KRM7 bits control signals KR0 to KR7.

The KRM register can be set by a 1-bit or 8-bit memory manipulation instruction.

Reset signal generation clears this register to 00H.

Figure 23-2. Format of Key Return Mode Register (KRM)



- Cautions**
1. An interrupt will be generated if the target bit of the KRM register is set to 1 while the KRn pin is at low level. To ignore this interrupt, set the KRM register after disabling interrupt servicing by using the interrupt mask flag. Afterward, clear the interrupt request flag after waiting for the key interrupt input low-level width (t_{KR}).
 2. The pins not used in the key interrupt can be used as normal ports.
 3. When the assignment of the key interrupt input pin is changed by using the PIOR50 bit, an interrupt may be generated. The pin assignment must be changed while the KRM register is 00H or while the key input interrupt is prohibited.
 4. Set the bits of the KRM register to 0 for pins to which the key interrupt function is not to be allocated.

Remark n = 0 to 7

CHAPTER 24 STANDBY FUNCTION

24.1 Standby Function and Configuration

24.1.1 Standby function

The standby function reduces the operating current of the system, and the following three modes are available.

(1) HALT mode

HALT instruction execution sets the HALT mode. In the HALT mode, the CPU operation clock is stopped. If the high-speed system clock, high-speed on-chip oscillator, subsystem clock, or low-speed on-chip oscillator is operating before the HALT mode is set, oscillation of each clock continues. In this mode, the operating current is not decreased as much as in the STOP mode, but the HALT mode is effective for restarting operation immediately upon interrupt request generation and carrying out intermittent operations frequently.

(2) STOP mode

STOP instruction execution sets the STOP mode. In the STOP mode, the high-speed system clock and high-speed on-chip oscillator stop, stopping the whole system, thereby considerably reducing the CPU operating current.

Because this mode can be cleared by an interrupt request, it enables intermittent operations to be carried out. However, because a wait time is required to secure the oscillation stabilization time after the STOP mode is released when the X1 clock is selected, select the HALT mode if it is necessary to start processing immediately upon interrupt request generation.

The output from a port pin can be inverted in response to the generation of a source condition for release from the STOP mode.

(3) SNOOZE mode

In response to a request for A/D conversion by a timer trigger signal (INTRTC) or ELE event input, a signal for data reception by the LIN/UART module (RLIN3) in the UART mode, or a DTC activation signal, this LSI is released from the STOP mode and A/D conversion, data reception, or DTC operation proceed without the CPU operating. This can only be specified when the high-speed on-chip oscillator is selected for the CPU/peripheral hardware clock (f_{CLK}).

There is a function for the output of a signal to indicate whether the LSI is in the SNOOZE mode or not on a specified pin when this LSI enters and is released from the SNOOZE mode.

In any mode, all the contents of registers, flags and data memory just before the standby mode is set are held. The I/O port output latches and output buffer statuses are also held.

(Cautions are listed on the next page.)

- Cautions**
1. The STOP mode can be used only when the CPU is operating on the main system clock. The STOP mode cannot be set while the CPU operates with the PLL clock or the subsystem/low-speed on-chip oscillator select clock. The HALT mode can be used when the CPU is operating on either the main system clock or the subsystem/low-speed on-chip oscillator select clock.
 2. When shifting to the STOP mode, be sure to stop the peripheral hardware operation operating with main system clock before executing STOP instruction (except for the setting unit of SNOOZE mode).
 3. When using the A/D converter and the LIN/UART module in the SNOOZE mode, set up the A/D converter mode register 2 (ADM2) and the UART standby control register (LUSCn) before switching to the STOP mode. For details, see 17.2 Register Descriptions.
 4. The following sequence is recommended for operating current reduction of the A/D converter when the standby function is used: First clear bit 7 (ADCS) and bit 0 (ADCE) of A/D converter mode register 0 (ADM0) to 0 to stop the A/D conversion operation, and then execute the STOP instruction.
 5. It can be selected by the option byte whether the WDT-dedicated low-speed on-chip oscillator continues oscillating or stops in the HALT or STOP mode. For details, see CHAPTER 30 OPTION BYTE.

24.2 Registers controlling standby function

Oscillation stabilization time when this LSI is released from the STOP mode is controlled by the following two registers.

- Oscillation stabilization time counter status register (OSTC)
- Oscillation stabilization time select register (OSTS)

Output from the port when a source condition for release from the STOP mode is generated is inverted by the following register.

- STOP status output control register (STPSTC)

Remark For the registers that start, stop, or select the clock, see CHAPTER 5 CLOCK GENERATOR.

24.2.1 Oscillation stabilization time counter status register (OSTC)

This is the register that indicates the count status of the X1 clock oscillation stabilization time counter.

The X1 clock oscillation stabilization time can be checked in the following case.

- If the X1 clock starts oscillation while the high-speed on-chip oscillator clock or sub/low-speed on-chip oscillator select clock is being used as the CPU clock.
- If the STOP mode is entered and then released while the high-speed on-chip oscillator clock is being used as the CPU clock with the X1 clock oscillating.

The OSTC register can be read by a 1-bit or 8-bit memory manipulation instruction.

When reset is released (reset by RESET input, POR, LVD, WDT, and executing an illegal instruction), the STOP instruction and MSTOP bit (bit 7 of clock operation status control register (CSC)) = 1 clear this register to 00H.

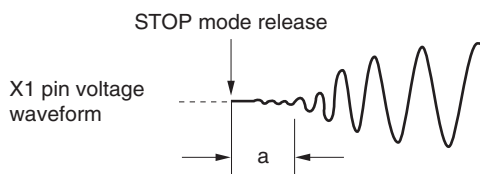
Figure 24-1. Format of Oscillation Stabilization Time Counter Status Register (OSTC)

Address: FFFA2H After reset: 00H R

Symbol	7	6	5	4	3	2	1	0
OSTC	MOST8	MOST9	MOST10	MOST11	MOST13	MOST15	MOST17	MOST18

MOST 8	MOST 9	MOST 10	MOST 11	MOST 13	MOST 15	MOST 17	MOST 18	Oscillation stabilization time status		
								fx = 10 MHz	fx = 20 MHz	
0	0	0	0	0	0	0	0	2 ⁸ /fx max.	25.6 μs max.	12.8 μs max.
1	0	0	0	0	0	0	0	2 ⁹ /fx min.	25.6 μs min.	12.8 μs min.
1	1	0	0	0	0	0	0	2 ⁹ /fx min.	51.2 μs min.	25.6 μs min.
1	1	1	0	0	0	0	0	2 ¹⁰ /fx min.	102.4 μs min.	51.2 μs min.
1	1	1	1	0	0	0	0	2 ¹¹ /fx min.	204.8 μs min.	102.4 μs min.
1	1	1	1	1	0	0	0	2 ¹³ /fx min.	819.2 μs min.	409.6 μs min.
1	1	1	1	1	1	0	0	2 ¹⁵ /fx min.	3.27 ms min.	1.63 ms min.
1	1	1	1	1	1	1	0	2 ¹⁷ /fx min.	13.10 ms min.	6.55 ms min.
1	1	1	1	1	1	1	1	2 ¹⁸ /fx min.	26.21 ms min.	13.10 ms min.

- Cautions**
1. After the above time has elapsed, the bits are set to 1 in order from the MOST8 bit and remain 1.
 2. The oscillation stabilization time counter counts up to the oscillation stabilization time set by the oscillation stabilization time select register (OSTS). In the following cases, set the oscillation stabilization time of the OSTS register to the value greater than the count value which is to be checked by the OSTC register.
 - If the X1 clock starts oscillation while the high-speed on-chip oscillator clock or subsystem clock is being used as the CPU clock.
 - If the STOP mode is entered and then released while the high-speed on-chip oscillator clock is being used as the CPU clock with the X1 clock oscillating. (Note, therefore, that only the status up to the oscillation stabilization time set by the OSTS register is set to the OSTC register after the STOP mode is released.)
 3. The X1 clock oscillation stabilization wait time does not include the time until clock oscillation starts (“a” below).



Remark fx: X1 clock oscillation frequency

24.2.2 Oscillation stabilization time select register (OSTS)

This register is used to select the X1 clock oscillation stabilization wait time when the STOP mode is released.

When the X1 clock is made to oscillate, the operation automatically waits for the time set using the OSTS register.

After the X1 clock starts oscillating, confirm with the oscillation stabilization time counter status register (OSTC) that the desired oscillation stabilization time has elapsed. The oscillation stabilization time can be checked up to the time set using the OSTC register.

The OSTS register can be set by an 8-bit memory manipulation instruction.

Writing to the OSTS register is disabled when the GCSC bit of the IAWCTL register is set to 1.

Reset signal generation sets this register to 07H.

Figure 24-2. Format of Oscillation Stabilization Time Select Register (OSTS)

Address: FFFA3H After reset: 07H R/W

Symbol	7	6	5	4	3	2	1	0
OSTS	0	0	0	0	0	OSTS2	OSTS1	OSTS0

OSTS2	OSTS1	OSTS0	Oscillation stabilization time selection	Oscillation stabilization time selection	
				fx = 10 MHz	fx = 20 MHz
0	0	0	2 ⁸ /fx	25.6 μs	12.8 μs
0	0	1	2 ⁹ /fx	51.2 μs	25.6 μs
0	1	0	2 ¹⁰ /fx	102.4 μs	51.2 μs
0	1	1	2 ¹¹ /fx	204.8 μs	102.4 μs
1	0	0	2 ¹³ /fx	819.2 μs	409.6 μs
1	0	1	2 ¹⁵ /fx	3.27 ms	1.63 ms
1	1	0	2 ¹⁷ /fx	13.10 ms	6.55 ms
1	1	1	2 ¹⁸ /fx	26.21 ms	13.10 ms

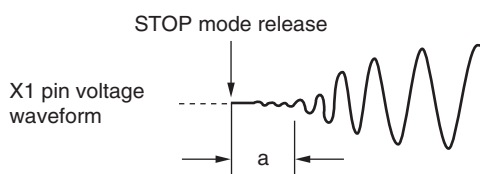
1. To set the STOP mode when the X1 clock is used as the CPU clock, set the OSTS register before executing the STOP instruction.
2. Before changing the setting of the OSTS register, confirm that the count operation of the OSTC register is completed.
3. Do not change the value of the OSTS register during the X1 clock oscillation stabilization time.
4. The oscillation stabilization time counter counts up to the oscillation stabilization time set by the oscillation stabilization time select register (OSTS).

In the following cases, set the oscillation stabilization time of the OSTS register to the value greater than the count value which is to be checked by the OSTC register.

- If the X1 clock starts oscillation while the high-speed on-chip oscillator clock or subsystem clock is being used as the CPU clock.
- If the STOP mode is entered and then released while the high-speed on-chip oscillator clock is being used as the CPU clock with the X1 clock oscillating.

(Note, therefore, that only the status up to the oscillation stabilization time set by the OSTS register is set to the OSTC register after the STOP mode is released.)

5. The X1 clock oscillation stabilization wait time does not include the time until clock oscillation starts (“a” below).



Remark fx: X1 clock oscillation frequency

24.2.3 STOP status output control register (STPSTC)

The port latch of P31 or P52 can be inverted in response to a source condition for release from the STOP mode being generated or a transition from SNOOZE mode to normal mode.

Set the STPSTC register by a 1-bit or 8-bit memory manipulation instruction.

Writing to the STPSTC register is disabled when the GCSC bit of the IAWCTL register is set to 1.

Reset signal generation clears this register to 00H.

Cautions When the STOP status output control register is to be used, the target port pin should be placed in the output mode and the port latch should be set to 0 beforehand.

Figure 24-3. Format of STOP Status Output Control Register (STPSTC)

Address: F02CAH After reset: 00H R/W

Symbol	<7>	6	5	<4>	3	2	1	<0>
STPSTC	STPOEN	0	0	STPLV Note 1	0	0	0	STPSEL Note 2

STPOEN	Enabling or disabling of STOPST output
0	Nothing is done when this LSI is released from the STOP mode.
1	The STPLV value is output on the pin selected by STPSEL when this LSI is released from the STOP mode.

STPLV ^{Note 1}	Control of STOPST output level
0	Output low
1	Output high

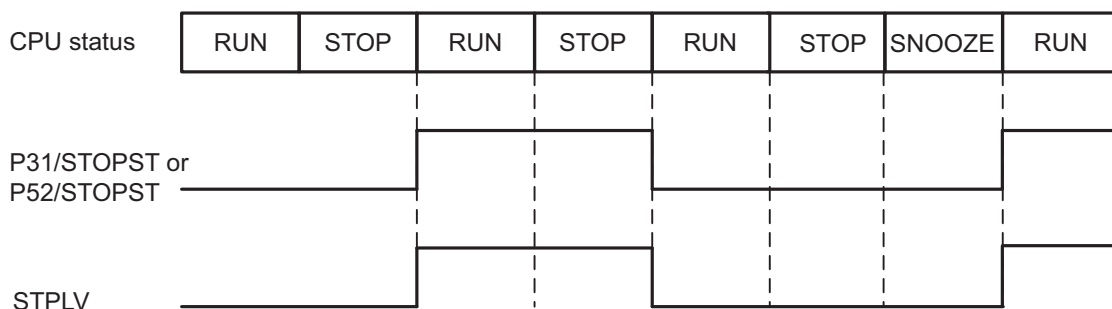
STPSEL ^{Note 2}	Control of STOPST pin selection
0	Selects P31
1	Selects P52

Notes 1. The STPLV bit is inverted when this LSI is released from the STOP mode and when this LSI makes a transition from SNOOZE mode to normal mode.

2. Bit 0 is a read-only reserved bit in 48-pin products. When setting the register, write the initial value, 0, to this bit.

Caution Be sure to set bits 1 to 3, 5, and 6 of the STPSTC register to 0.

The following figure shows the timing of the STOPST pin and STPLV bit during CPU operation status.



24.3 Standby Function Operation

24.3.1 HALT mode

(1) HALT mode

The HALT mode is set by executing the HALT instruction. HALT mode can be set regardless of whether the CPU clock before the setting was the high-speed system clock, high-speed on-chip oscillator clock, PLL clock, low-speed on-chip oscillator clock, or subsystem clock.

The operating statuses in the HALT mode are shown below.

Caution If the interrupt mask flag is 0 (interrupt servicing enabled) and the interrupt request flag is 1 (interrupt request signal is generated), the HALT mode is released even if the HALT instruction is executed (Because the interrupt request signal is used to release the HALT mode).

Table 24-1. Operating Statuses in HALT Mode (1/2)

HALT Mode Setting		When HALT Instruction Is Executed While CPU Is Operating on Main System Clock							
		When CPU Is Operating on High-speed On-chip Oscillator Clock (f_{IH})	When CPU Is Operating on X1 Clock (f_x)	When CPU Is Operating on External Main System Clock (f_{EX})	When CPU Is Operating on PLL Clock (f_{PLL})				
System clock		Clock supply to the CPU is stopped							
Main system clock	f_{IH}	Operation continues (cannot be stopped)	Operation disabled		Only operation of the PLL clock continues (and cannot be stopped). Clocks other than the PLL clock do not operate.				
	f_x	Operation disabled	Operation continues (cannot be stopped)	Cannot operate					
	f_{EX}		Cannot operate	Operation continues (cannot be stopped)					
	f_{PLL}		Operation disabled	Operation disabled		Operation continues (cannot be stopped)			
Subsystem clock	f_{XT} f_{EXS}	Status before HALT mode was set is retained							
f_{IL}		Set by bit 1 (HPIEN) of on-chip debug option byte (000C3H/020C3H), bit 0 (SELLOSC) of the CKSEL register, and bit 4 (WUTMMCK0) of the OSMC register. <ul style="list-style-type: none"> • WUTMMCK0 = 1: Oscillates • WUTMMCK0 = 0 and SELLOSC = 1: Oscillates • WUTMMCK0 = 0, SELLOSC = 0, and HPIEN = 1: Oscillates • WUTMMCK0 = 0, SELLOSC = 0, and HPIEN = 0: Stops 							
f_{WDT}		Set by bits 0 (WDSTBYON) and 4 (WDTON) of user option byte (000C0H/020C0H) <ul style="list-style-type: none"> • WDTON = 0: Stops • WDTON = 1 and WDSTBYON = 1: Oscillates • WDTON = 1 and WDSTBYON = 0: Stops 							
CPU		Operation stopped							
Code flash memory									
Data flash memory									
RAM									
Port (latch)		Status before HALT mode was set is retained							
Timer array unit		Operable							
Real-time clock (RTC)		See CHAPTER 11 WATCHDOG TIMER							
Watchdog timer									
Clock monitor		Operable (f_{IL} operates)							
Timer RJ		Operable							
Timer RD									
Clock output/buzzer output									
A/D converter									
D/A converter									
Comparator									
Serial array unit (SAU)									
Serial interface (IICA)									
DTC									
ELC						Linking between operational function blocks is possible.			
LIN/UART module (RLIN3)						Operable			
CAN interface (RS-CAN lite)									
IEBus Controller									
Power-on-reset function									
Voltage detection function									
External interrupt									

HALT Mode Setting		When HALT Instruction Is Executed While CPU Is Operating on Main System Clock			
		When CPU Is Operating on High-speed On-chip Oscillator Clock (f _{IH})	When CPU Is Operating on X1 Clock (f _X)	When CPU Is Operating on External Main System Clock (f _{EX})	When CPU Is Operating on PLL Clock (f _{PLL})
Item					
Key interrupt function		Operable			
CRC operation function	High-speed CRC	Operation stopped (operation can continue during DTC transfer)			
	General-purpose CRC				
Illegal-memory access detection function					
RAM2 bit error detection function					
RAM guard function					
SFR guard function					
CPU stack pointer monitor function		Operation stopped (operation can continue during vectored interrupt servicing)			

Remark Operation stopped: Operation is automatically stopped before switching to the HALT mode.
 Operation disabled: Operation is stopped before switching to the HALT mode.
 Cannot operate: Operation is not possible regardless of switching to the HALT mode.

f_{IH}: High-speed on-chip oscillator clock f_{IL}: Low-speed on-chip oscillator clock
 f_X: X1 clock f_{EX}: External main system clock
 f_{XT}: XT1 clock f_{EXS}: External subsystem clock
 f_{PLL}: PLL clock
 f_{WDT}: WDT-dedicated low-speed on-chip oscillator clock

Table 24-1. Operating Statuses in HALT Mode (2/2)

Item	HALT Mode Setting		When HALT Instruction Is Executed While CPU Is Operating on Subsystem Clock		When HALT Instruction Is Executed While CPU Is Operating on Low-speed On-chip Oscillator Clock (f _L)	
			When CPU Is Operating on XT1 Clock (f _{XT})	When CPU Is Operating on External Subsystem Clock (f _{EXS})		
System clock			Clock supply to the CPU is stopped			
Main system clock	f _H f _X f _{EX} f _{PLL}	Operation disabled				
		Subsystem clock	f _{XT}	Operation continues (cannot be stopped)	Cannot operate	Cannot operate
			f _{EXS}	Cannot operate	Operation continues (cannot be stopped)	
		f _L	Set by bit 1 (HPIEN) of on-chip debug option byte (000C3H/020C3H), bit 0 (SELLOSC) of the CKSEL register, and bit 4 (WUTMMCK0) of the OSMC register. <ul style="list-style-type: none"> • WUTMMCK0 = 1: Oscillates • WUTMMCK0 = 0 and SELLOSC = 1: Oscillates • WUTMMCK0 = 0, SELLOSC = 0, and HPIEN = 1: Oscillates • WUTMMCK0 = 0, SELLOSC = 0, and HPIEN = 0: Stops 			
f _{WDT}	Set by bits 0 (WDSTBYON) and 4 (WDTON) of user option byte (000C0H/020C0H) <ul style="list-style-type: none"> • WDTON = 0: Stops • WDTON = 1 and WDSTBYON = 1: Oscillates • WDTON = 1 and WDSTBYON = 0: Stops 					
CPU			Operation stopped			
Code flash memory						
Data flash memory						
RAM			Operation stopped (operation can continue during DTC transfer)			
Port (latch)			Status before HALT mode was set is retained			
Timer array unit			Operable (Operation is disabled while in the low consumption RTC mode)			
Real-time clock (RTC)			Operable			
Watchdog timer			See CHAPTER 11 WATCHDOG TIMER			
Clock monitor			Operation stopped			
Timer RJ			Operable (Operation is disabled while in the low consumption RTC mode)			
Timer RD						
Clock output/buzzer output						
A/D converter			Operation disabled			
D/A converter						
Comparator						
Serial array unit (SAU)			Operable (Operation is disabled while in the low consumption RTC mode)			
Serial interface (IICA)			Operation disabled			
DTC			Operable			
ELC			Linking between operational function blocks is possible.			
LIN/UART module (RLIN3)			Operation disabled			
CAN interface (RS-CAN lite)						
IEBus Controller						
Power-on-reset function			Operable			
Voltage detection function						
External interrupt						
Key interrupt function						

Item \ HALT Mode Setting		When HALT Instruction Is Executed While CPU Is Operating on Subsystem Clock		When HALT Instruction Is Executed While CPU Is Operating on Low-speed On-chip Oscillator Clock (f _{IL})
		When CPU Is Operating on XT1 Clock (f _{XT})	When CPU Is Operating on External Subsystem Clock (f _{EXS})	
CRC operation function	High-speed CRC	Operation disabled		
	General-purpose CRC	Operation stopped (operation can continue during DTC transfer)		
Illegal-memory access detection function				
RAM2 bit error detection function				
RAM guard function				
SFR guard function				
CPU stack pointer monitor function		Operation stopped (operation can continue during vectored interrupt servicing)		

Remark Operation stopped: Operation is automatically stopped before switching to the HALT mode.
 Operation disabled: Operation is stopped before switching to the HALT mode.
 Cannot operate: Operation is not possible regardless of switching to the HALT mode.
 f_{IH}: High-speed on-chip oscillator clock f_{IL}: Low-speed on-chip oscillator clock
 f_X: X1 clock f_{EX}: External main system clock
 f_{XT}: XT1 clock f_{EXS}: External subsystem clock
 f_{PLL}: PLL clock
 f_{WDT}: WDT-dedicated low-speed on-chip oscillator clock

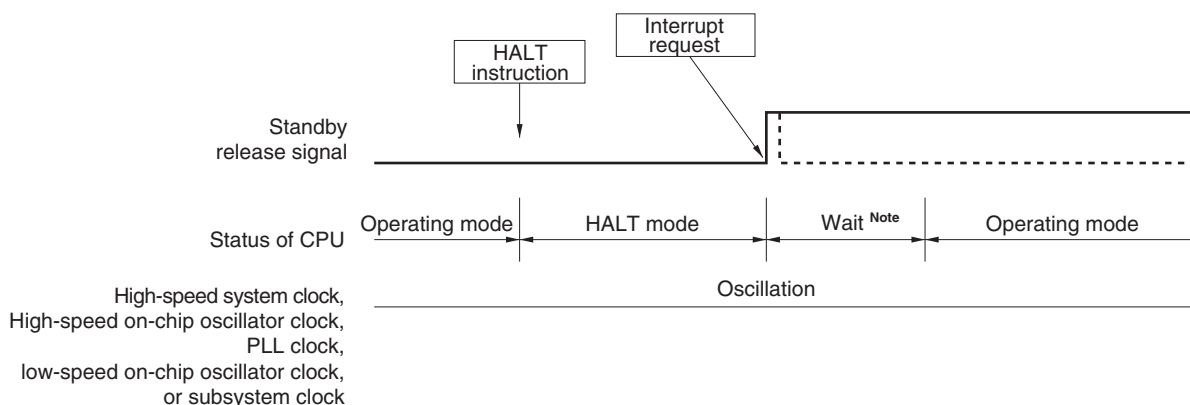
(2) HALT mode release

The HALT mode can be released by interrupt and reset signal generation.

(a) Release by unmasked interrupt request

When an interrupt request with an interrupt mask flag set to 0 (interrupt servicing enabled) is generated, the HALT mode is released. If interrupt acknowledgment is enabled, vectored interrupt servicing is carried out. If interrupt acknowledgment is disabled, the next address instruction of the HALT instruction is executed.

Figure 24-4. HALT Mode Release by Interrupt Request Generation



Note Wait time for HALT mode release

- When vectored interrupt servicing is carried out
 - Main/PLL select clock: 15 to 16 clocks
 - Subsystem/low-speed on-chip oscillator select clock (RTCLPC = 0): 10 to 11 clocks
 - Subsystem/low-speed on-chip oscillator select clock (RTCLPC = 1): 11 to 12 clocks
- When vectored interrupt servicing is not carried out
 - Main/PLL select clock: 9 to 10 clocks
 - Subsystem/low-speed on-chip oscillator select clock (RTCLPC = 0): 4 to 5 clocks
 - Subsystem/low-speed on-chip oscillator select clock (RTCLPC = 1): 5 to 6 clocks

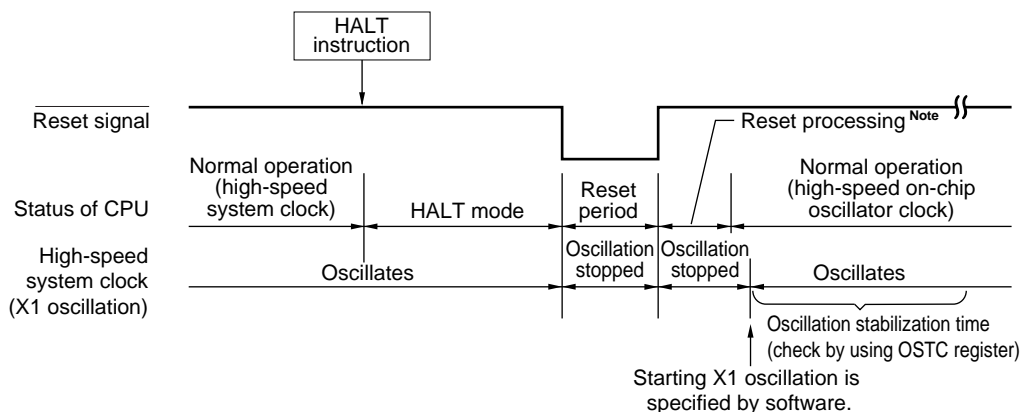
Remark The broken lines indicate the case when the interrupt request which has released the standby mode is acknowledged.

(b) Release by reset signal generation

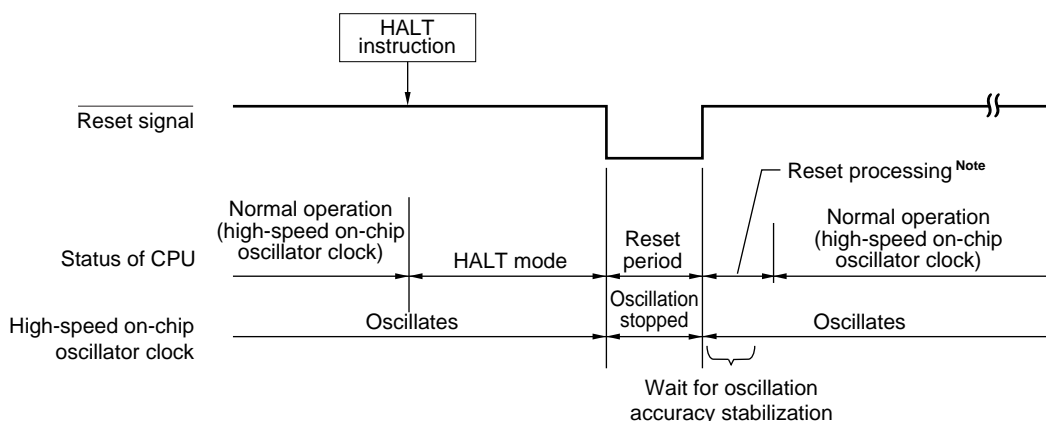
When the reset signal is generated, HALT mode is released, and then, as in the case with a normal reset operation, the program branches.

Figure 24-5. HALT Mode Release by Reset

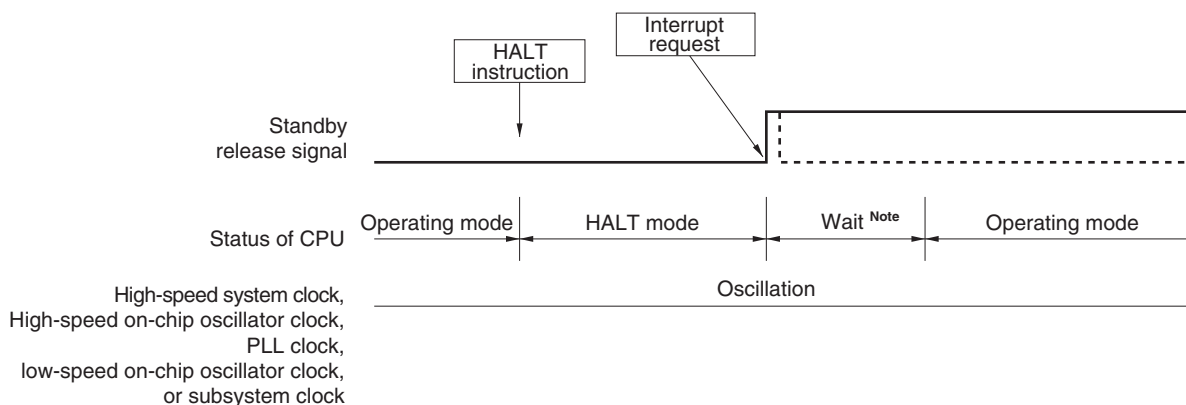
(1) When high-speed system clock is used as CPU clock



(2) When high-speed on-chip oscillator clock is used as CPU clock



(3) When subsystem clock or low-speed on-chip oscillator clock is used as CPU clock



Note For the reset processing time, see CHAPTER 26 POWER-ON-RESET CIRCUIT.

24.3.2 STOP mode

(1) STOP mode setting and operating statuses

The STOP mode is set by executing the STOP instruction, and it can be set only when the CPU clock before the setting was the high-speed on-chip oscillator clock, X1 clock, or external main system clock.

Caution Because the interrupt request signal is used to clear the STOP mode, if the interrupt mask flag is 0 (interrupt servicing enabled) and the interrupt request flag is 1 (interrupt request signal is generated), the STOP mode is immediately cleared when the STOP instruction is executed. Accordingly, once the STOP instruction is executed, the system returns to its normal operating mode after the elapse of release time from the STOP mode.

The operating statuses in the STOP mode are shown below.

Table 24-2. Operating Statuses in STOP Mode

STOP Mode Setting		When STOP Instruction Is Executed While CPU Is Operating on Main System Clock			
		When CPU Is Operating on High-speed On-chip Oscillator clock (f_{IH})	When CPU Is Operating on X1 Clock (f_x)	When CPU Is Operating on External Main System Clock (f_{EX})	When CPU Is Operating on PLL Clock (f_{PLL})
System clock		Clock supply to the CPU is stopped			
Main system clock	f_{IH}	Stopped			
	f_x				
	f_{EX}				
	f_{PLL}				
Subsystem clock		Status before STOP mode was set is retained			
	f_{XT}				
	f_{EXS}				
f_{IL}		Set by bit 0 (SELLOSC) of the CKSEL register and bit 4 (WUTMMCK0) of the OSMC register. <ul style="list-style-type: none"> • WUTMMCK0 = 1: Oscillates • WUTMMCK0 = 0 and SELLOSC = 1: Oscillates • WUTMMCK0 = 0 and SELLOSC = 0: Stops 			
f_{WDT}		Set by bits 0 (WDSTBYON) and 4 (WDTON) of user option byte (000C0H/020C0H) <ul style="list-style-type: none"> • WDTON = 0: Stops • WDTON = 1 and WDSTBYON = 1: Oscillates • WDTON = 1 and WDSTBYON = 0: Stops 			
CPU		Operation stopped			
Code flash memory					
Data flash memory		Operation stopped (the STOP instruction is not executed during data flash programming)			
RAM		Operation stopped			
Port (latch)		Status before STOP mode was set is retained			
Timer array unit		Operation disabled			
Real-time clock (RTC)		Operable (when the subsystem clock is selected as an input clock (f_{RTC}))			
Watchdog timer		See CHAPTER 11 WATCHDOG TIMER			
Clock monitor		Operation stopped			
Timer RJ		Operable <ul style="list-style-type: none"> • In the event counting mode when no TRJIO0 input filters are selected. • If the subsystem/low-speed on-chip oscillator select clock is selected as the clock source for counting and the RTCLPC bit of the OSMC register is 0. • If the low-speed on-chip oscillator is selected as the clock source for counting. 			
Timer RD		Operable (can only operate for output of the SNOOZE status signal when the subsystem/low-speed on-chip oscillator select clock is selected)			
Clock output/buzzer output		Operable only when the subsystem/low-speed on-chip oscillator select clock is selected as the count clock			
A/D converter		Wakeup operation is enabled (switching to the SNOOZE mode)			
D/A converter		Operable (the state before the STOP mode was set is retained)			
Comparator		Operable (if the settings allow release from the STOP mode and the digital filters are not in use)			
Serial array unit (SAU)		Unit 2 is operable, and units 0 and 1 are operation disabled			
Serial interface (IICA)		Wakeup operation by address match is enabled			
DTC		Reception of trigger signals from sources for DTC activation is enabled (switching to the SNOOZE mode)			
ELC		Linking between operational function blocks is possible.			
LIN/UART module (RLIN3)		Only wakeup operation of the UART is possible (switching to the SNOOZE mode).			
CAN interface (RS-CAN lite)		Operation disabled			
IEBus Controller					
Power-on-reset function		Operable			
Voltage detection function					
External interrupt					

STOP Mode Setting		When STOP Instruction Is Executed While CPU Is Operating on Main System Clock			
		When CPU Is Operating on High-speed On-chip Oscillator clock (f _H)	When CPU Is Operating on X1 Clock (f _X)	When CPU Is Operating on External Main System Clock (f _{EX})	When CPU Is Operating on PLL Clock (f _{PLL})
Item					
Key interrupt function		Operation stopped			
CRC operation function	High-speed CRC	Operation stopped			
	General-purpose CRC				
Illegal-memory access detection function					
RAM2 bit error detection function					
RAM guard function					
SFR guard function					
CPU stack pointer monitor function					

Remark Operation stopped: Operation is automatically stopped before switching to the STOP mode.

Operation disabled: Operation is stopped before switching to the STOP mode.

f_H: High-speed on-chip oscillator clock f_L: Low-speed on-chip oscillator clock

f_X: X1 clock f_{EX}: External main system clock

f_{XT}: XT1 clock f_{EXS}: External subsystem clock

f_{PLL}: PLL clock

f_{WDT}: WDT-dedicated low-speed on-chip oscillator clock

- Cautions**
1. To use the peripheral hardware that stops operation in the STOP mode, and the peripheral hardware for which the clock that stops oscillating in the STOP mode after the STOP mode is released, restart the peripheral hardware.
 2. To stop the watchdog timer clock in the STOP mode, set bit 0 (WDSTBYON) of a user option byte (00C0H/020C0H) to 0 (stop the watchdog timer operation in the HALT/STOP/SNOOZE mode).
 3. To shorten oscillation stabilization time after the STOP mode is released when the CPU operates with the high-speed system clock (X1 oscillation), temporarily switch the CPU clock to the high-speed on-chip oscillator clock before the execution of the STOP instruction. Before changing the CPU clock from the high-speed on-chip oscillator clock to the high-speed system clock (X1 oscillation) after the STOP mode is released, check the oscillation stabilization time with the oscillation stabilization time counter status register (OSTC).

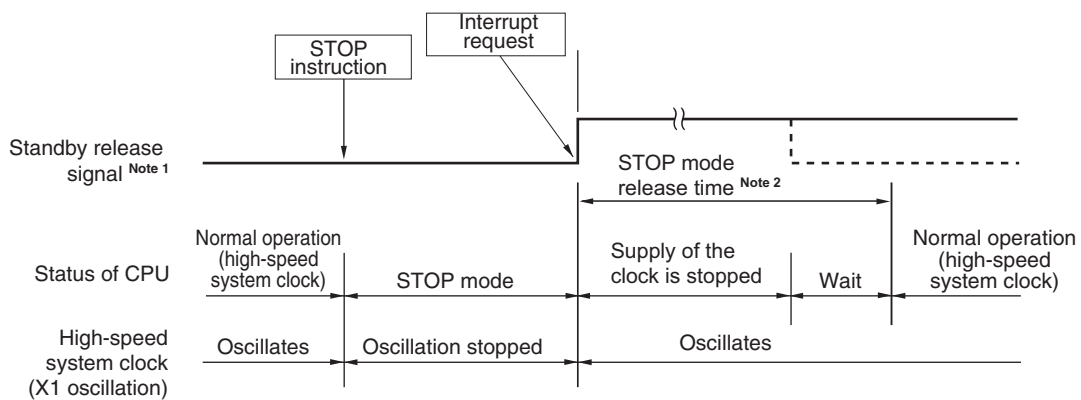
(2) STOP mode release

The STOP mode can be released by interrupt and reset signal generation.

(a) Release by unmasked interrupt request

When an interrupt request with an interrupt mask set to 0 (Interrupt servicing enabled) is generated, the STOP mode is released. After the oscillation stabilization time has elapsed, if interrupt acknowledgment is enabled, vectored interrupt servicing is carried out. If interrupt acknowledgment is disabled, the next address instruction of the STOP instruction is executed.

Figure 24-6. STOP Mode Release by Interrupt Request Generation (1/2)

(1) When high-speed system clock (X1 oscillation) is used as CPU clock

Notes 1. For details of the standby release signal, see **Figure 22-1. Basic Configuration of Interrupt Function.**

2. STOP mode release time

Supply of the clock is stopped

- When FRQSEL4 = 1 in the user option byte (000C2H/020C2H):
18 μ s to "whichever is longer 105 μ s and the oscillation stabilization time (set by STS)"
- When FRQSEL4 = 0 in the user option byte (000C2H/020C2H):
18 μ s to "whichever is longer 65 μ s and the oscillation stabilization time (set by OSTs)"

Wait

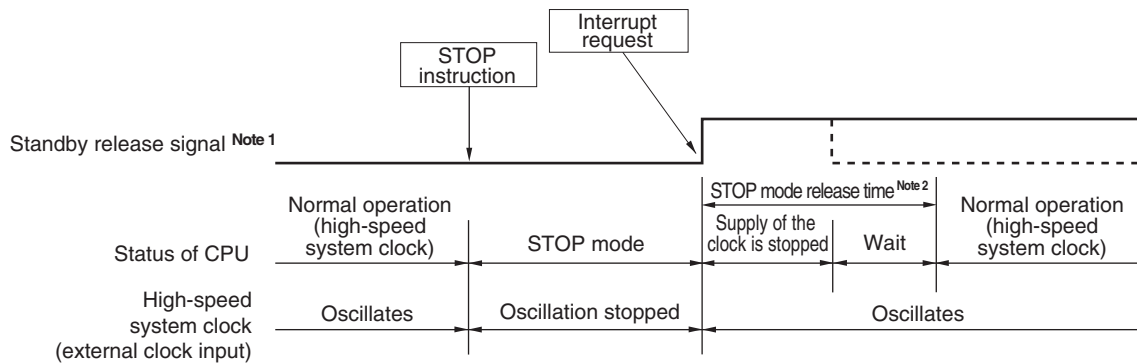
- When vectored interrupt servicing is carried out: 10 to 11 clocks
- When vectored interrupt servicing is not carried out: 4 to 5 clocks

Remarks 1. The clock supply stop time varies depending on the temperature conditions and STOP mode period.

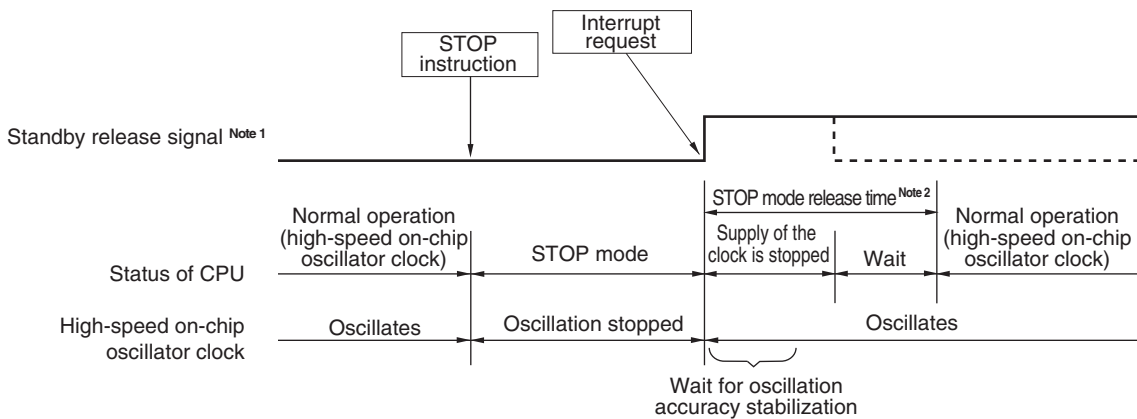
2. The broken lines indicate the case when the interrupt request that has released the standby mode is acknowledged.

Figure 24-6. STOP Mode Release by Interrupt Request Generation (2/2)

(2) When high-speed system clock (external clock input) is used as CPU clock



(3) When high-speed on-chip oscillator clock is used as CPU clock



Notes 1. For details of the standby release signal, see **Figure 22-1. Basic Configuration of Interrupt Function.**

2. STOP mode release time

Supply of the clock is stopped

- When FRQSEL4 = 1 in the user option byte (000C2H/020C2H):
18 μ s to 105 μ s
- When FRQSEL4 = 0 in the user option byte (000C2H/020C2H):
18 μ s to 65 μ s

Wait

- When vectored interrupt servicing is carried out: 7 clocks
- When vectored interrupt servicing is not carried out: 1 clock

Remarks 1. The clock supply stop time varies depending on the temperature conditions and STOP mode period.

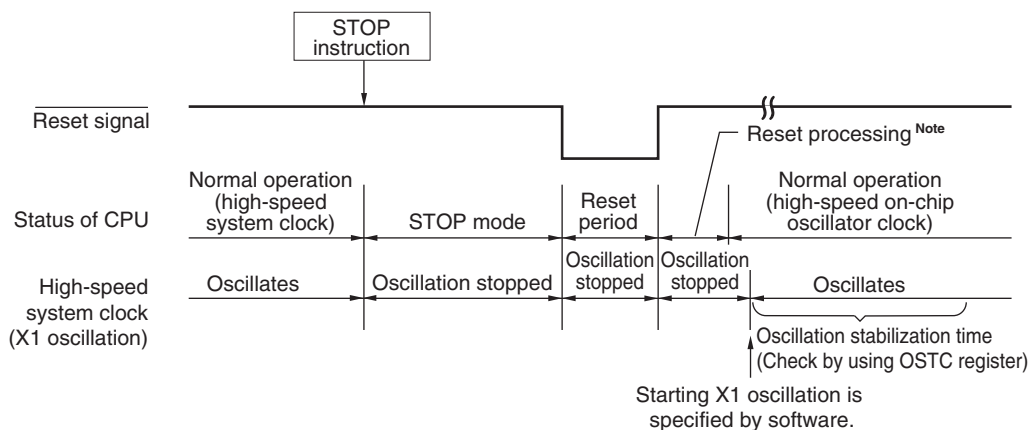
2. The broken lines indicate the case when the interrupt request that has released the standby mode is acknowledged.

(b) Release by reset signal generation

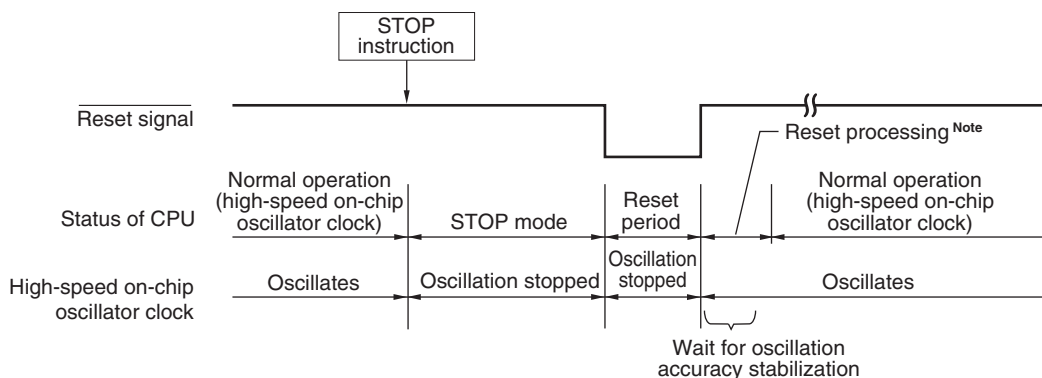
When the reset signal is generated, STOP mode is released, and then, as in the case with a normal reset operation, the program is executed after branching to the reset vector address.

Figure 24-7. STOP Mode Release by Reset

(1) When high-speed system clock is used as CPU clock



(2) When high-speed on-chip oscillator clock is used as CPU clock



Note For the reset processing time, see **CHAPTER 26 POWER-ON-RESET CIRCUIT**.

24.3.3 SNOOZE mode

(1) SNOOZE mode setting and operating statuses

The SNOOZE mode can only be specified for the A/D converter, LIN/UART module, or DTC. Note that this mode can only be specified if the CPU clock is the high-speed on-chip oscillator clock.

When using the A/D converter in the SNOOZE mode, set up A/D converter mode register 2 (ADM2) before entering the STOP mode. For details, see **12.3 Registers Used in A/D Converter**.

When using the UART function of the SAU module 2 in the SNOOZE mode, set up the SSC0 (SSC0L) register before entering the STOP mode.

When using the UART function of the LIN/UART module in the SNOOZE mode, set up the LUSCn register before entering the STOP mode.

When DTC transfer is used in SNOOZE mode, before entering the STOP mode, allow DTC activation by interrupt to be used. During STOP mode, detecting DTC activation by interrupt enables DTC transit to SNOOZE mode, automatically. For details, see **20.2 Registers**.

In SNOOZE mode transition, wait status to be only following time.

Transition time from STOP mode to SNOOZE mode

- When FRQSEL4 = 1 in the user option byte (000C2H/010C2H): 18 μ s to 105 μ s
- When FRQSEL4 = 0 in the user option byte (000C2H/010C2H): 18 μ s to 65 μ s

Remark Transition time from STOP mode to SNOOZE mode varies depending on the temperature conditions and the STOP mode period.

Transition time from SNOOZE mode to normal operation:

- When vectored interrupt servicing is carried out: "4.99 μ s to 9.44 μ s" + 7 clocks
- When vectored interrupt servicing is not carried out: "4.99 μ s to 9.44 μ s" + 1 clock

The operating statuses in the SNOOZE mode are shown below.

Table 24-3. Operating Statuses in SNOOZE Mode

STOP Mode Setting		Item	During a period in STOP mode, input of a timer trigger signal for the A/D converter, reception of a data signal for the LIN/UART module in the UART mode, or the generation of an interrupt signal for DTC activation
			When CPU Is Operating on High-speed On-chip Oscillator Clock (f_{IH})
System clock			Clock supply to the CPU is stopped
Main system clock	f_{IH}		Operation started
	f_X		Stopped
	f_{EX}		
	f_{PLL}		Operation disabled
Subsystem clock	f_{XT}		Use of the status while in the STOP mode continues
	f_{EXS}		
f_{IL}			Set by bit 0 (SELLOSC) of the CKSEL register and bit 4 (WUTMMCK0) of the OSMC register. <ul style="list-style-type: none"> • WUTMMCK0 = 1: Oscillates • WUTMMCK0 = 0 and SELLOSC = 1: Oscillates • WUTMMCK0 = 0 and SELLOSC = 0: Stops
f_{WDT}			Set by bits 0 (WDSTBYON) and 4 (WDTON) of user option byte (000C0H/020C0H) <ul style="list-style-type: none"> • WDTON = 0: Stops • WDTON = 1 and WDSTBYON = 1: Oscillates • WDTON = 1 and WDSTBYON = 0: Stops
CPU			Operation stopped
Code flash memory			
Data flash memory			
RAM			
Port (latch)			Use of the status while in the STOP mode continues
Timer array unit			Operation disabled
Real-time clock (RTC)			Operable (when the subsystem clock is selected as an input clock (f_{RTC}))
Watchdog timer			See CHAPTER 11 WATCHDOG TIMER
Clock monitor			Operation stopped
Timer RJ			Operable <ul style="list-style-type: none"> • In the event counting mode when no TRJIO0 input filters are selected. • If the subsystem/low-speed on-chip oscillator select clock is selected as the clock source for counting and the RTCLPC bit of the OSMC register is 0. • If the low-speed on-chip oscillator is selected as the clock source for counting.
Timer RD			Operable (can only operate for output of the SNOOZE status signal when the subsystem/low-speed on-chip oscillator select clock is selected)
Clock output/buzzer output			Operable only when the subsystem/low-speed on-chip oscillator select clock is selected as the count clock
A/D converter			Operable
D/A converter			Operable (the state before the STOP mode was set is retained)
Comparator			Operable (if the settings allow release from the STOP mode and the digital filters are not in use)
Serial array unit (SAU)			Unit 2 is operable, and units 0 and 1 are operation disabled
Serial interface (IICA)			Operation disabled
DTC			Operable
ELC			Linking between operation function blocks is possible.
LIN/UART module (RLIN3)			Operable (only in the UART mode)
CAN interface (RS-CAN lite)			Operation disabled
IEBus Controller			

Item	STOP Mode Setting	During a period in STOP mode, input of a timer trigger signal for the A/D converter, reception of a data signal for the LIN/UART module in the UART mode, or the generation of an interrupt signal for DTC activation	
		When CPU Is Operating on High-speed On-chip Oscillator Clock (f _{IH})	
Power-on-reset function		Operable	
Voltage detection function			
External interrupt			
Key interrupt function			
CRC operation function	High-speed CRC	Operation stopped	
	General-purpose CRC		
Illegal-memory access detection function			
RAM2 bit error detection function			
RAM guard function			
SFR guard function			
CPU stack pointer monitor function			Operation stopped (operation can continue during vectored interrupt servicing)

Remark Operation stopped: Operation is automatically stopped before switching to the STOP mode.

Operation disabled: Operation is stopped before switching to the STOP mode.

f_{IH}: High-speed on-chip oscillator clock f_{IL}: Low-speed on-chip oscillator clock

f_X: X1 clock f_{EX}: External main system clock

f_{XT}: XT1 clock f_{EXS}: External subsystem clock

f_{PLL}: PLL clock

f_{WDT}: WDT-dedicated low-speed on-chip oscillator clock

(2) SNOOZE mode status output (SNOOZEST)

This function is used to output the status of the SNOOZE mode (in any mode other than the SNOOZE mode or in the SNOOZE mode) on the specified pin.

This function is executed by f_{SL} (sub/low-speed on-chip oscillator select clock), timer RD0, event link controller (ELC), A/D converter, and ports simultaneously. f_{SL} is used as the count source for the timer RD0. By using the PWM function of the timer mode, the timer RD0 sets a period in the TRDGRA0 register and generates a compare match signal in the TRDGRB0 and TRDGRC0 registers. The compare match signal of the TRDGRB0 register is used as the operation trigger of the A/D converter via the ELC. After receiving this operation trigger, the A/D converter performs A/D conversion in SNOOZE mode. After the compare match signal of the TRDGRC0 register is received, SNOOZE status is output from the SNZOUT_n (n = 0 to 7) pin selected by the PSNZCNT0 to PSNZCNT3 registers.

TRDIOC0 cannot be output when SNOOZE status is output.

Figure 24-8 shows the configuration of the circuit for SNOOZE mode status output. Figure 24-9 shows the timing of SNOOZE mode status output.

TRDGRA0 generates interval of A/D converter operation (period (A) in Figure 24-9).

TRDGRB0 generates interval from SNOOZE status output to wake up of A/D converter (period (B) in Figure 24-9).

TRDGRC0 generates interval of SNOOZE status output (period (C) in Figure 24-9).

Each register should be set value proper for the specification of sensor to input A/D converter of RL78/F15. The values should be defined after setting up the board and intermittent operation of the A/D converter.

Therefore, period (A) generated by TRDGRA0 shows the intermittent operation on the board.

Period (B) generated by TRDGRB0 shows the activation time of sensor operating intermittently. RL78/F15 is in STOP mode in the period (B), however A/D converter wakes up to SNOOZE mode with TRDGRB0 compare match B0 through ECL.

Period (C) generated by TRDGRC0 shows the activation times of sensor and A/D converter, and A/D conversion period in SNOOZE mode. RL78/F15 is in the mixed state of SNOOZE mode and STOP mode between the ends of period (B) and period (C).

Timer RD counts with subsystem clock or low-speed on-chip oscillator output clock. When the low-speed on-chip oscillator is selected, one count time of TRDGRj0 (j = A, B, C) is typ.66.7 μs as below.

Clock source: Low-speed on-chip oscillator (Tj = -40 to 150 °C, VDD = 1.5 to 2.2 V)

Frequency characteristic: 15 kHz ± 15% (min.12.75kHz, typ.15 kHz, max.17.25 kHz)

1 cycle: 66.7 μs ± 15 % (min.58.0 μs, typ.66.7 μs, max.78.4 μs)

Figure 24-8. Configuration of Circuit for SNOOZE Mode Status Output

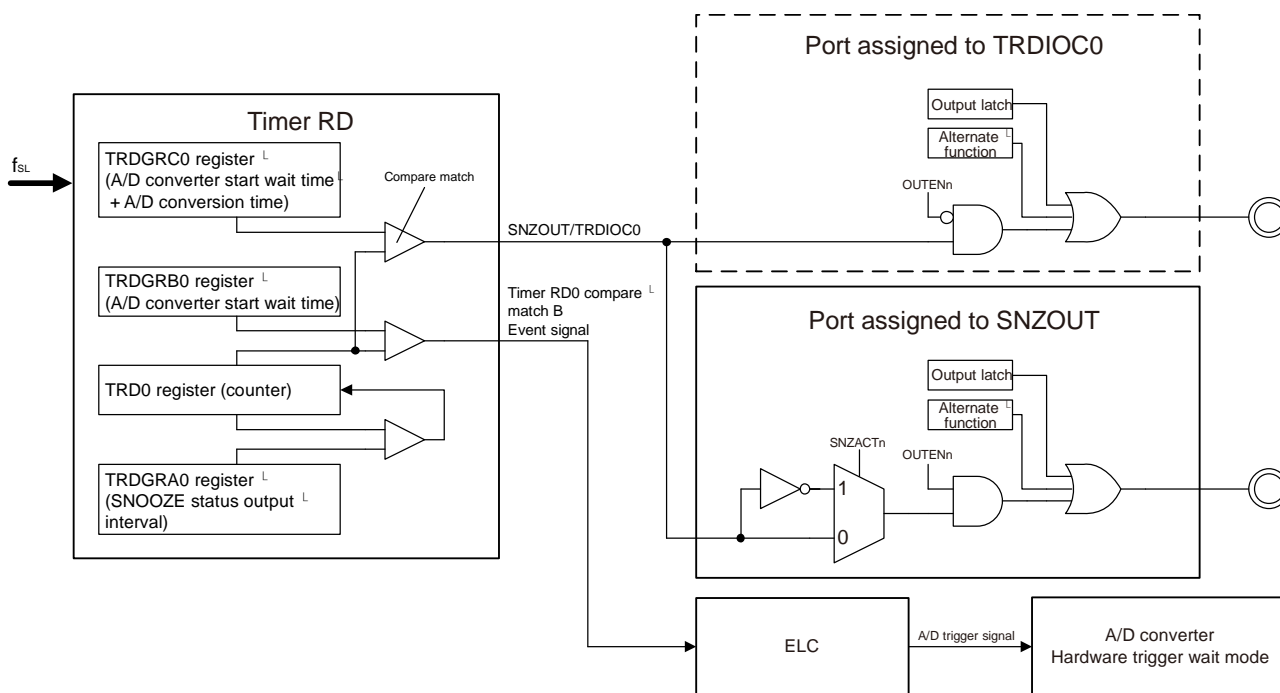
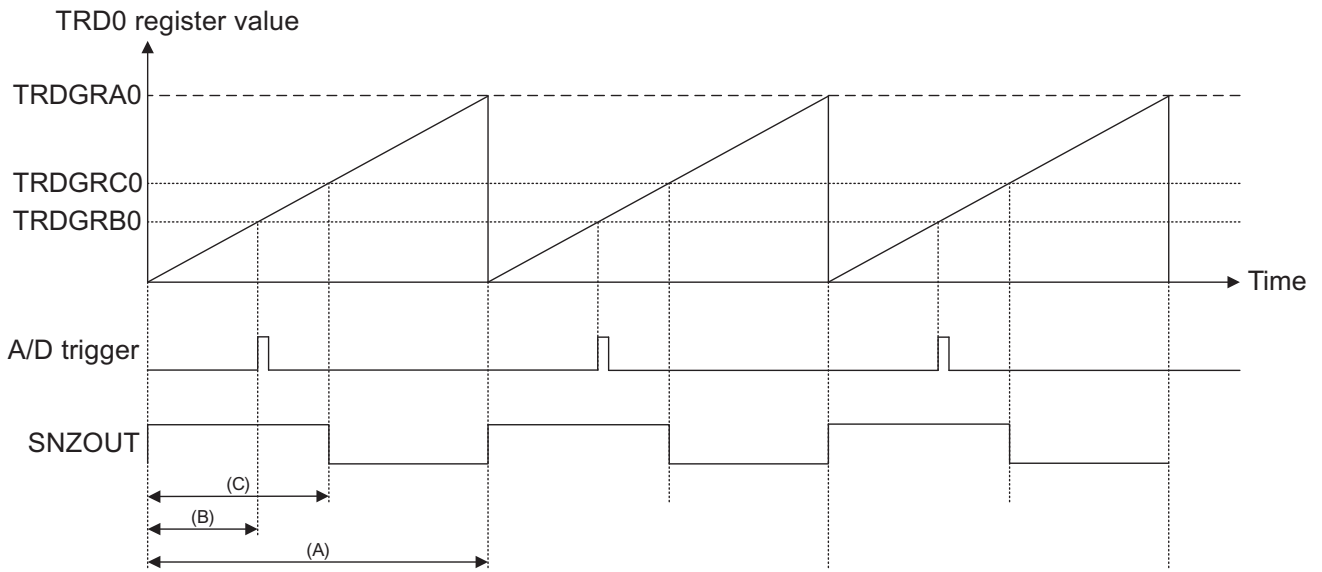
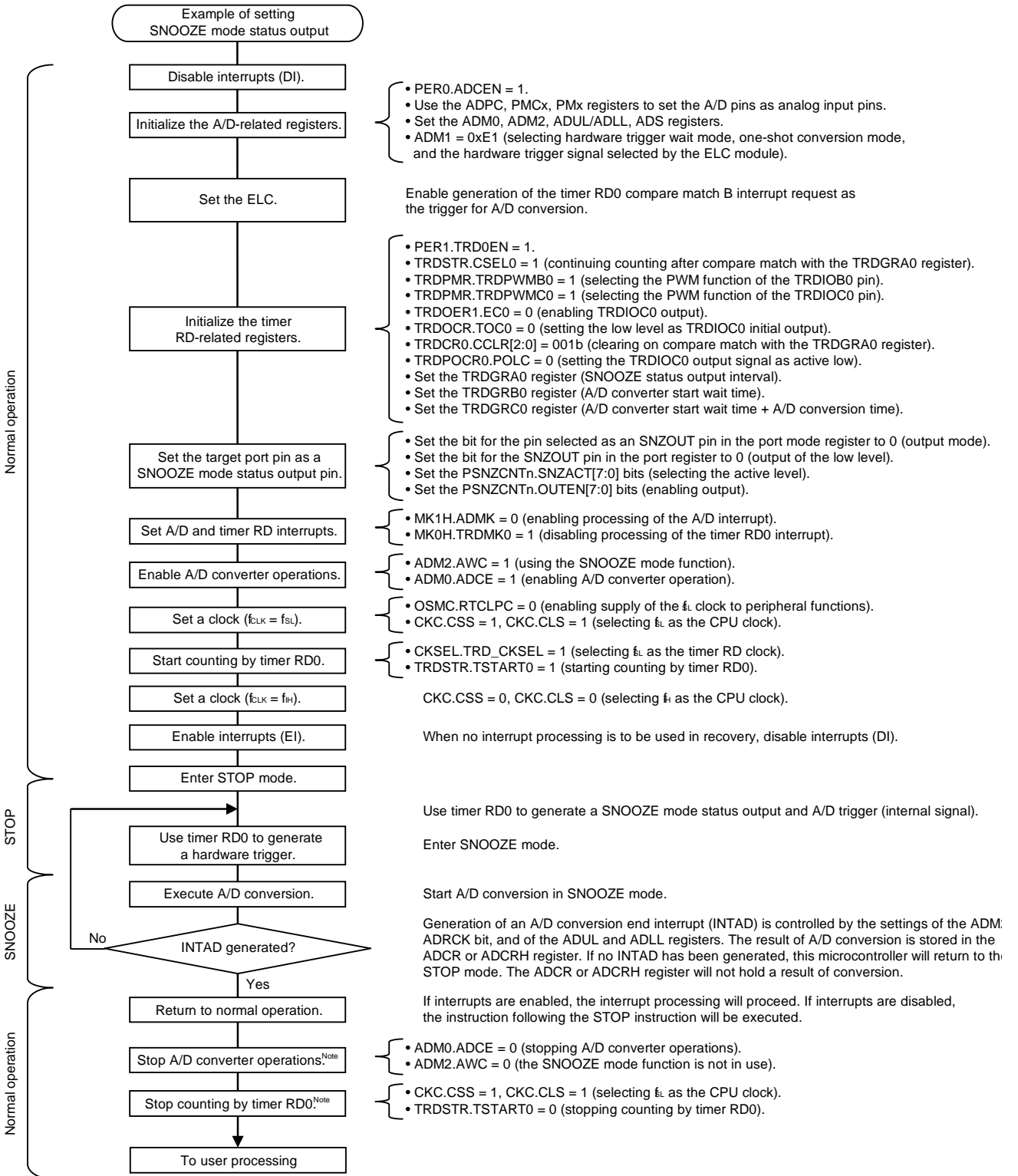


Figure 24-9. Timing of SNOOZE Mode Status Output



- (A): TRDGRA0 = SNOOZE status output interval
- (B): TRDGRB0 = A/D converter start wait time
- (C): TRDGRC0 = A/D converter start wait time + A/D conversion time

Figure 24-10. Example of Settings for SNOOZE Mode Status Output



Note On the transition from STOP (or SNOOZE) mode to normal operation, stop A/D converter operations and then stop counting by timer RD0 (after changing the CPU clock to f_{SL}) as shown in the figure above.

Caution For details on the settings of registers for the A/D converter, timer RD, port functions, etc., see the corresponding chapters.

CHAPTER 25 RESET FUNCTION

The following seven operations are available to generate a reset signal.

- (1) External reset input via $\overline{\text{RESET}}$ pin
- (2) Internal reset by watchdog timer program loop detection
- (3) Internal reset by comparison of supply voltage and detection voltage of power-on-reset (POR) circuit
- (4) Internal reset by comparison of supply voltage of the voltage detector (LVD) and detection voltage
- (5) Internal reset by execution of illegal instruction ^{Note}
- (6) Internal reset in response to the clock monitor detecting that oscillation of the main clock has stopped
- (7) Internal reset by illegal-memory access

External and internal resets start program execution from the address at 0000H and 0001H when the reset signal is generated.

When a low level is input to the $\overline{\text{RESET}}$ pin, the watchdog timer detects an overflow, a voltage is detected on the POR and LVD circuits, an illegal instruction is executed ^{Note}, the clock monitor detects that oscillation of the main clock has stopped, or memory is accessed illegally, the device is reset and the hardware is set to the status shown in **Table 25-1**.

When a low level is input to the $\overline{\text{RESET}}$ pin, the device is reset. It is released from the reset status when a high level is input to the $\overline{\text{RESET}}$ pin and program execution is started with the high-speed on-chip oscillator clock after reset processing. A reset by the watchdog timer is automatically released, and program execution starts using the high-speed on-chip oscillator clock (see **Figures 25-2 to 25-4**) after reset processing. Reset by POR and LVD circuit supply voltage detection is automatically released when $V_{DD} \geq V_{POR}$ or $V_{DD} \geq V_{LVD}$ is detected after the reset, and program execution starts using the high-speed on-chip oscillator clock (see **CHAPTER 26 POWER-ON-RESET CIRCUIT** and **CHAPTER 27 VOLTAGE DETECTOR**) after reset processing.

Note The illegal instruction is generated when instruction code FFH is executed.

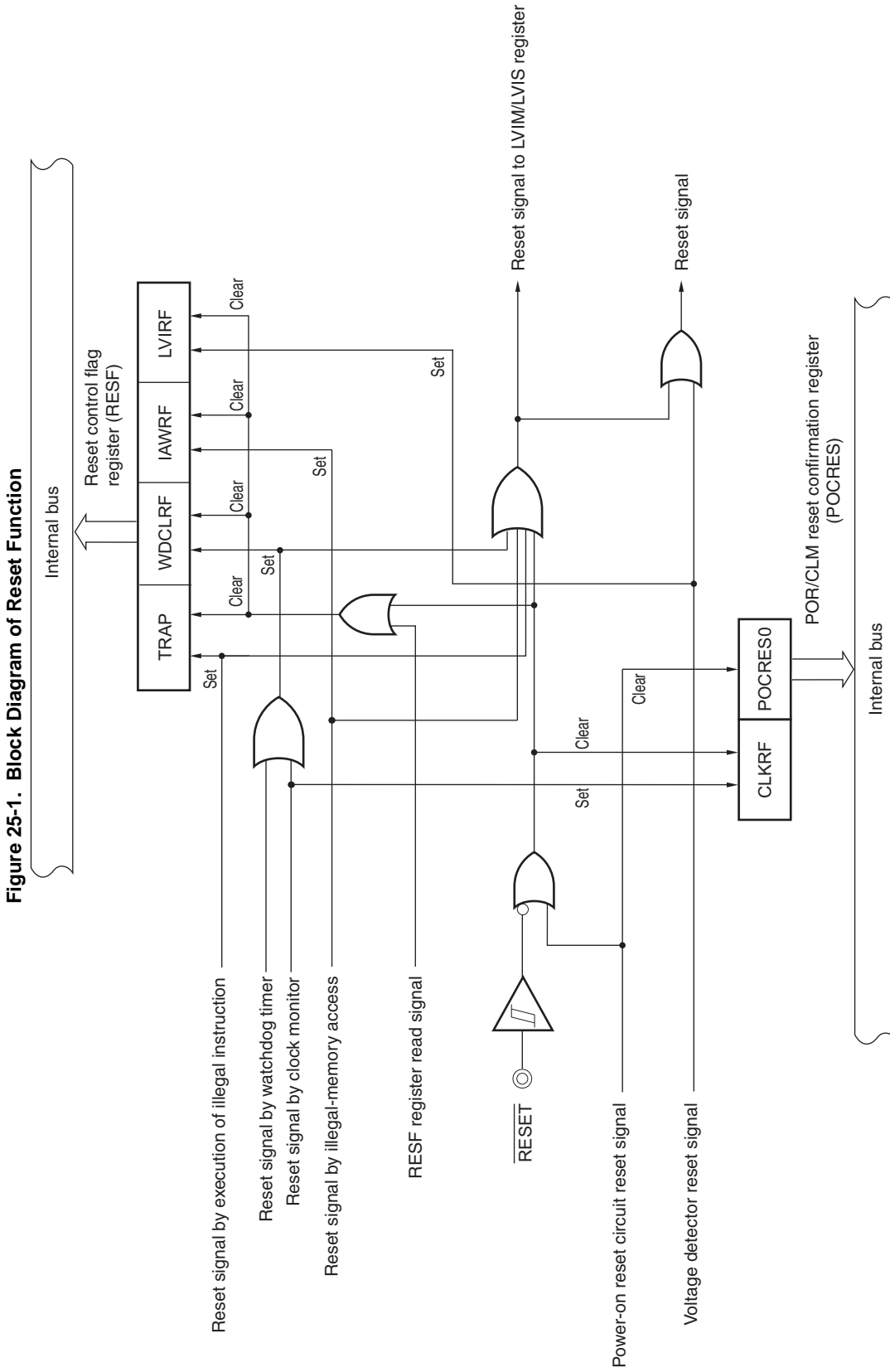
Reset by the illegal instruction execution not issued by emulation with the in-circuit emulator or on-chip debug emulator.

Cautions 1. For an external reset, input the low level to the $\overline{\text{RESET}}$ pin for at least 10 μs .

When an external reset is applied while the power supply voltage is rising, the period over which the voltage is below the range of operating voltage ($V_{DD} < 2.7\text{V}$) is not included in the 10 μs . However, continuing the input of a low level before release from the power-on reset state does not create a problem.

2. During reset input, the X1 clock, XT1 clock, high-speed on-chip oscillator clock, and low-speed on-chip oscillator clock stop oscillating. External main system clock input and external subsystem clock input become invalid.
3. When reset is effected, port pin P130 is set to low-level output and other port pins become high-impedance, because each SFR and 2nd SFR are initialized.

Remark V_{POR} : POR power supply rise detection voltage



Caution An LVD circuit internal reset does not reset the LVD circuit.

- Remarks**
1. LVIM: Voltage detection register
 2. LVIS: Voltage detection level register

Figure 25-2. Timing of Reset by RESET Input

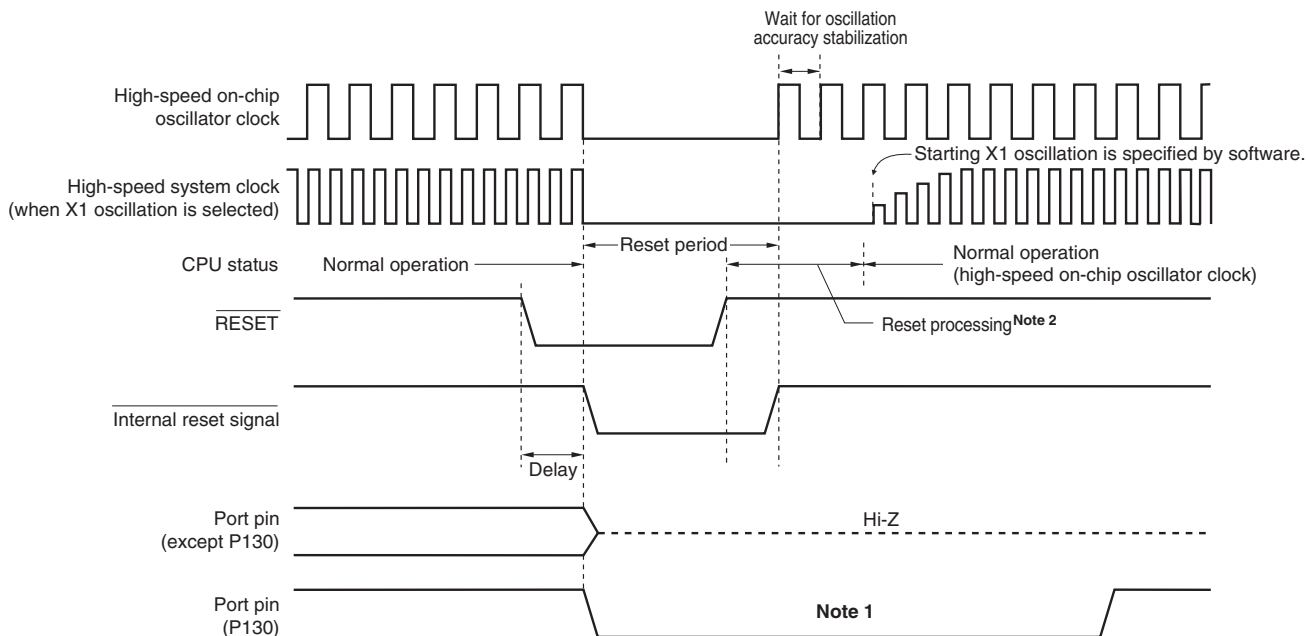
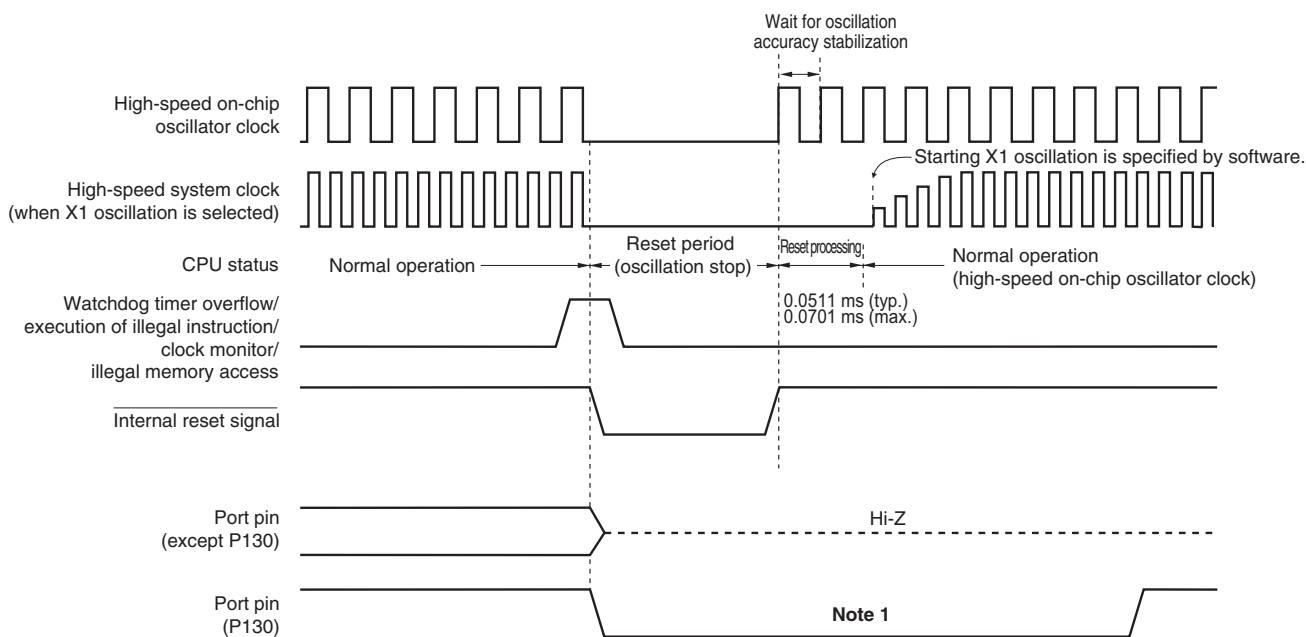
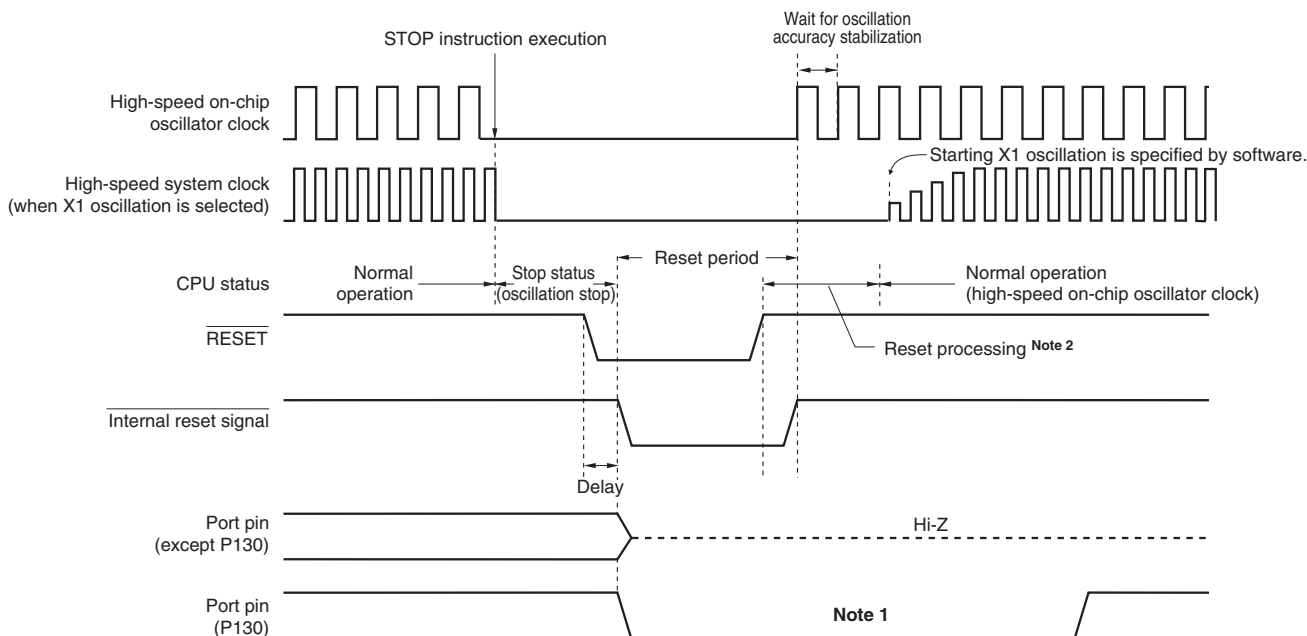


Figure 25-3. Timing of Reset by Watchdog Timer Overflow, Execution of Illegal Instruction, Clock Monitor, or Illegal-Memory Access



(Notes and Remark are listed on the next page.)

Figure 25-4. Timing of Reset in STOP Mode by $\overline{\text{RESET}}$ Input



- Notes**
1. When P130 is set to high-level output before reset is effected, the output signal of P130 can be dummy-output as a reset signal to an external device, because P130 outputs a low level when reset is effected. To release a reset signal to an external device, set P130 to high-level output by software.
 2. Reset processing time when the external reset is released is shown below.
 - After the first release of POR: 0.672 ms (typ.), 0.832 ms (max.) (when the LVD is in use)
0.399 ms (typ.), 0.519 ms (max.) (when the LVD is off)
 - After the second release of POR: 0.531 ms (typ.), 0.675 ms (max.) (when the LVD is in use)
0.259 ms (typ.), 0.362 ms (max.) (when the LVD is off)
 After power is supplied, a voltage stabilization waiting time of about 0.99 ms (typ.) and up to 2.30 ms (max.) is required before reset processing starts after release of the external reset.

Remark For the reset timing of the power-on-reset circuit and voltage detector, see **CHAPTER 26 POWER-ON-RESET CIRCUIT** and **CHAPTER 27 VOLTAGE DETECTOR**.

Table 25-1. Operation Statuses During Reset Period

Item		During Reset Period	
System clock		Clock supply to the CPU is stopped.	
Main system clock	f_{IH}	Operation stopped	
	f_X	Operation stopped (the X1 and X2 pins are input port mode)	
	f_{EX}	Clock input invalid (the pin is input port mode)	
Subsystem clock	f_{XT}	Operation stopped (the XT1 and XT2 pins are input port mode)	
	f_{EXS}	Clock input invalid (the pin is input port mode)	
f_{IL}		Operation stopped	
f_{PLL}			
f_{WDT}			
CPU		Operation stopped	
Code flash memory			
Data flash memory			
RAM			
Port (latch)	P130	Outputs the low level	
	P40	High impedance (by an external reset or POR reset) Pulled up (by reset other than external reset or POR reset)	
	Other than P130 and P40	High impedance	
Timer array unit		Operation stopped	
Timer RJ			
Timer RD			
Real-time clock (RTC)			
Watchdog timer			
Clock monitor			
Clock output/buzzer output			
A/D converter			
D/A converter			
Comparator			
Serial array unit (SAU)			
Serial interface (IICA)			
LIN/UART module (RLIN3)			
CAN interface (RS-CAN lite)			
Multiplier and Divider/Multiply-Accumulator			
IEBus Controller (IEBB)			
DTC			
ELC			
Power-on-reset function			Detection operation possible
Low-voltage detection function			Operation stopped
External interrupt			
Key interrupt function			
CRC operation function	High-speed CRC		
	General-purpose CRC		
Illegal-memory access detection function			
RAM guard function			
SFR guard function			

Remark	f_{IH} : High-speed on-chip oscillator clock	f_X : X1 oscillation clock
	f_{EX} : External main system clock	f_{XT} : XT1 oscillation clock
	f_{EXS} : External subsystem clock	f_{IL} : Low-speed on-chip oscillator clock
	f_{PLL} : PLL clock	f_{WDT} : WDT-dedicated low-speed on-chip oscillator clock

Table 25-2. States of Hardware After Acceptance of a Reset

Hardware		After Acceptance of a Reset ^{Note}
Program counter (PC)		The contents of the reset vector table (0000H, 0001H) are set.
Stack pointer (SP)		Undefined
Program status word (PSW)		06H
RAM	Data memory	Undefined
	General-purpose registers	Undefined

Note During reset signal generation or oscillation stabilization time wait, only the PC contents among the hardware statuses become undefined. All other hardware statuses remain unchanged after reset.

Table 25-3. States of Bits in RESF/LVIM/LVIS Registers When Reset Requests are Generated

Reset Source		$\overline{\text{RESET}}$ Input	Reset by POR	Reset by Execution of Illegal Instruction	Reading from RESF	Reset by WDT	Reset by clock monitor	Reset by illegal-memory access	Reset by LVD
RESF	TRAP	Cleared (0)	Cleared (0)	Set (1)	Cleared (0)	Held	Held	Held	Held
	WDCLRF			Held		Set (1)	Set (1)	Held	Held
	IAWRF			Held		Held	Held	Set (1)	Held
	LVIRF			Held		Held	Held	Held	Set (1)
POCRES	POCRES0	Held	Cleared (0)	Held	Held	Held	Held	Held	Held
	CLKRF	Cleared (0)	Cleared (0)	Held	Held	Held	Set (1)	Held	Held
LVIM	LVISEN	Cleared (0)	Cleared (0)	Cleared (0)	Held	Cleared (0)	Cleared (0)	Cleared (0)	Held
	LVIOMSK	Held	Held	Held	Held	Held	Held	Held	Held
	LVIF	Held	Held	Held	Held	Held	Held	Held	Held
LVIS		Cleared (00H/01H/81H)	Cleared (00H/01H/81H)	Cleared (00H/01H/81H)	Held	Cleared (00H/01H/81H)	Cleared (00H/01H/81H)	Cleared (00H/01H/81H)	Held

Caution The generation of reset signal other than an LVD reset sets as follows.

- When option byte LVIMDS1, LVIMDS0 = 1, 0: 00H
- When option byte LVIMDS1, LVIMDS0 = 1, 1: 81H
- When option byte LVIMDS1, LVIMDS0 = 0, 1: 01H

Remark The special function register (SFR) mounted depends on the product. See 3.2.4 Special function register (SFR) area and 3.2.5 Extended special function register (2nd SFR: 2nd Special Function Register) area.

25.1 Register for Confirming Reset Source

25.1.1 Reset control flag register (RESF)

Many internal reset generation sources exist in the RL78/F15. The reset control flag register (RESF) is used to store which source has generated the reset request.

The RESF register can be read by an 8-bit memory manipulation instruction.

$\overline{\text{RESET}}$ input, reset by power-on-reset (POR) circuit, and reading the RESF register clear TRAP, WDCLRF, IAWRF, and LVIRF flags.

Figure 25-5. Format of Reset Control Flag Register (RESF)

Address: FFFA8H After reset: 00H^{Note 1} R

Symbol	7	6	5	4	3	2	1	0
RESF	TRAP	0	0	WDCLRF	0	0	IAWRF	LVIRF

TRAP	Internal reset request by execution of illegal instruction ^{Note 2}
0	Internal reset request is not generated, or the RESF register is cleared.
1	Internal reset request is generated.

WDCLRF	Internal reset request by watchdog timer (WDT) or clock monitor
0	Internal reset request is not generated, or the RESF register is cleared.
1	Internal reset request by the watchdog timer or the clock monitor is generated.

IAWRF	Internal reset request by illegal-memory access
0	Internal reset request is not generated, or the RESF register is cleared.
1	Internal reset request is generated.

LVIRF	Internal reset request by voltage detector (LVD)
0	Internal reset request is not generated, or the RESF register is cleared.
1	Internal reset request is generated.

- Notes**
1. The value after reset varies depending on the reset source.
 2. The illegal instruction is generated when instruction code FFH is executed.
Reset by the illegal instruction execution not issued by emulation with the in-circuit emulator or on-chip debug emulator.

Caution Do not read data by a 1-bit memory manipulation instruction.

The states of bits in the RESF register when reset requests are generated is shown in Table 25-4.

Table 25-4. States of Bits in the RESF Register When Reset Requests are Generated

Reset Source Flag	$\overline{\text{RESET}}$ Input	Reset by POR	Reset by Execution of Illegal Instruction	Reading from RESF	Reset by WDT	Reset by clock monitor	Reset by illegal- memory access	Reset by LVD
TRAP bit	Cleared (0)	Cleared (0)	Set (1)	Cleared (0)	Held	Held	Held	Held
WDCLRF bit			Held		Set (1)	Set (1)	Held	Held
IAWRF bit			Held		Held	Held	Set (1)	Held
LVIRF bit			Held		Held	Held	Held	Set (1)

25.1.2 POR/CLM reset confirmation register (POCRES)

The POR/CLM reset confirmation register (POCRES) is used to check whether a reset has been generated by a power-on reset or a clock-monitor reset.

When writing, the only effective value for the POCRES0 bit is 1. Writing 0 to this bit is ignored.

When writing, the only effective value for the CLKRF bit is 0. Writing 1 to this bit is ignored.

Set the POCRES register by a 1-bit or 8-bit memory manipulation instruction.

The POCRES0 bit only becomes 0 after a reset when the reset was generated by the power-on reset (POR) circuit.

The CLKRF bit becomes 0 after a reset when the reset was generated by the $\overline{\text{RESET}}$ input or power-on reset (POR) circuit.

Remark For confirming whether a reset was by the power-on reset (POR) circuit, the POCRES0 must be set to 1 beforehand.

Figure 25-6. Format of POR Reset Register (POCRES)

Address: F02C9H After reset: 00H^{Note} R/W

Symbol	7	6	5	<4>	3	2	1	<0>
POCRES	0	0	0	CLKRF	0	0	0	POCRES0

POCRES0	Internal reset request by POR reset
0	A POR request was generated or nothing has been written to this bit.
1	POR request is not generated.

Note The value immediately before a reset is retained when a reset is from any source other than the POR circuit.

CLKRF	Internal reset request by clock monitor
0	Internal reset request is not generated, or the CLKRF bit is cleared.
1	Internal reset request was generated.

Table 25-5 shows the states of bits in the POCRES register when reset requests are generated.

Table 25-5. States of Bits in the POCRES Register When Reset Requests are Generated

Reset Source Flag	$\overline{\text{RESET}}$ Input	Reset by POR	Reset by Execution of Illegal Instruction	Reading from RESF	Reset by WDT	Reset by clock monitor	Reset by illegal-memory access	Reset by LVD
POCRES0	Held	Cleared (0)	Held	Held	Held	Held	Held	Held
CLKRF	Cleared (0)	Cleared (0)	Held	Held	Held	Set (1)	Held	Held

CHAPTER 26 POWER-ON-RESET CIRCUIT

26.1 Functions of Power-on-reset Circuit

The power-on-reset circuit (POR) has the following functions.

- Generates internal reset signal at power on.
The reset signal is released when the supply voltage (V_{DD}) exceeds 1.56 V (typ.).
- Compares supply voltage (V_{DD}) and detection voltage ($V_{PDR} = 1.55$ V (typ.)), generates internal reset signal when $V_{DD} < V_{PDR}$.

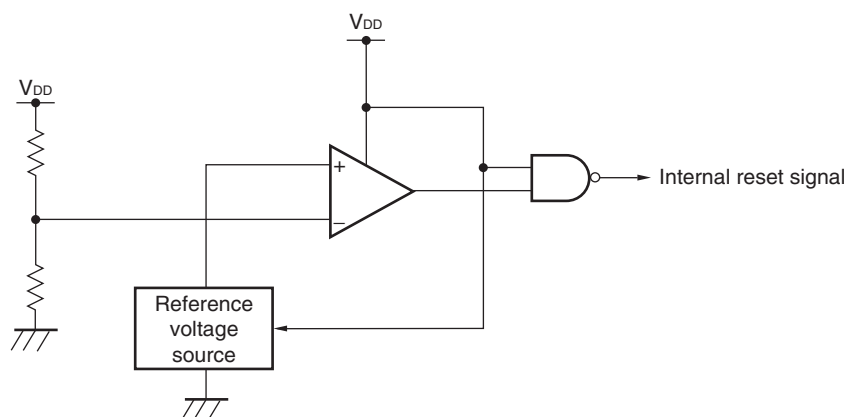
Caution If an internal reset signal is generated in the POR circuit, the POCRES_0 and CLKRF flags of the POR/CLM reset confirmation register (POCRES) and the TRAP, WDCLRF, IAWRF, and LVIRF flags of the reset control flag register (RESF) are cleared (00H).

Remark This product incorporates multiple hardware functions that generate an internal reset signal. A flag that indicates the reset source is located in the RESF and POCRES registers for when an internal reset signal is generated by the power-on reset (POR), watchdog timer (WDT), clock monitor, voltage detector (LVD), illegal instruction execution, or illegal-memory access. The RESF register is not cleared to 00H and the flag is set to 1 when an internal reset signal is generated by the watchdog timer (WDT), voltage detector (LVD), illegal instruction execution, clock monitor, or illegal-memory access. The POCRES register is not cleared to 00H and the flag is set to 1 when an internal reset signal is generated by the clock monitor. For details of the POCRES and RESF registers, see **CHAPTER 25 RESET FUNCTION**.

26.2 Configuration of Power-on-reset Circuit

The block diagram of the power-on-reset circuit is shown in Figure 26-1.

Figure 26-1. Block Diagram of Power-on-reset Circuit



26.3 Operation of Power-on-reset Circuit

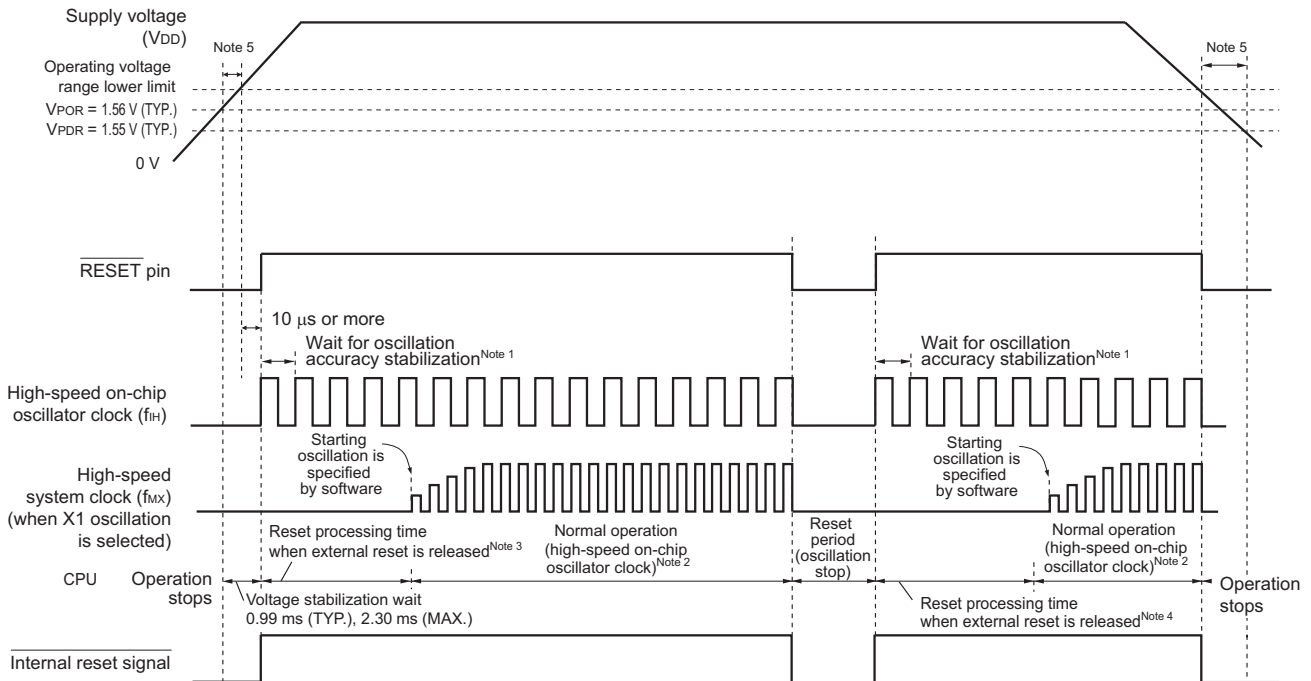
- An internal reset signal is generated on power application. When the supply voltage (V_{DD}) exceeds the detection voltage ($V_{POR} = 1.56\text{ V (typ.)}^{\text{Note}}$), the reset status is released.
- The supply voltage (V_{DD}) and detection voltage ($V_{PDR} = 1.55\text{ V (typ.)}^{\text{Note}}$) are compared. When $V_{DD} < V_{PDR}$, the internal reset signal is generated.

Note When the user option byte function is used to enable the voltage detector by default, release from the reset state does not proceed until the value set in the option byte function is exceeded.

The timing of generation of the internal reset signal by the power-on-reset circuit and voltage detector is shown below.

Figure 26-2. Timing of Generation of Internal Reset Signal by Power-on-reset Circuit and Voltage Detector (1/2)

(1) When the externally input reset signal on the $\overline{\text{RESET}}$ pin is used

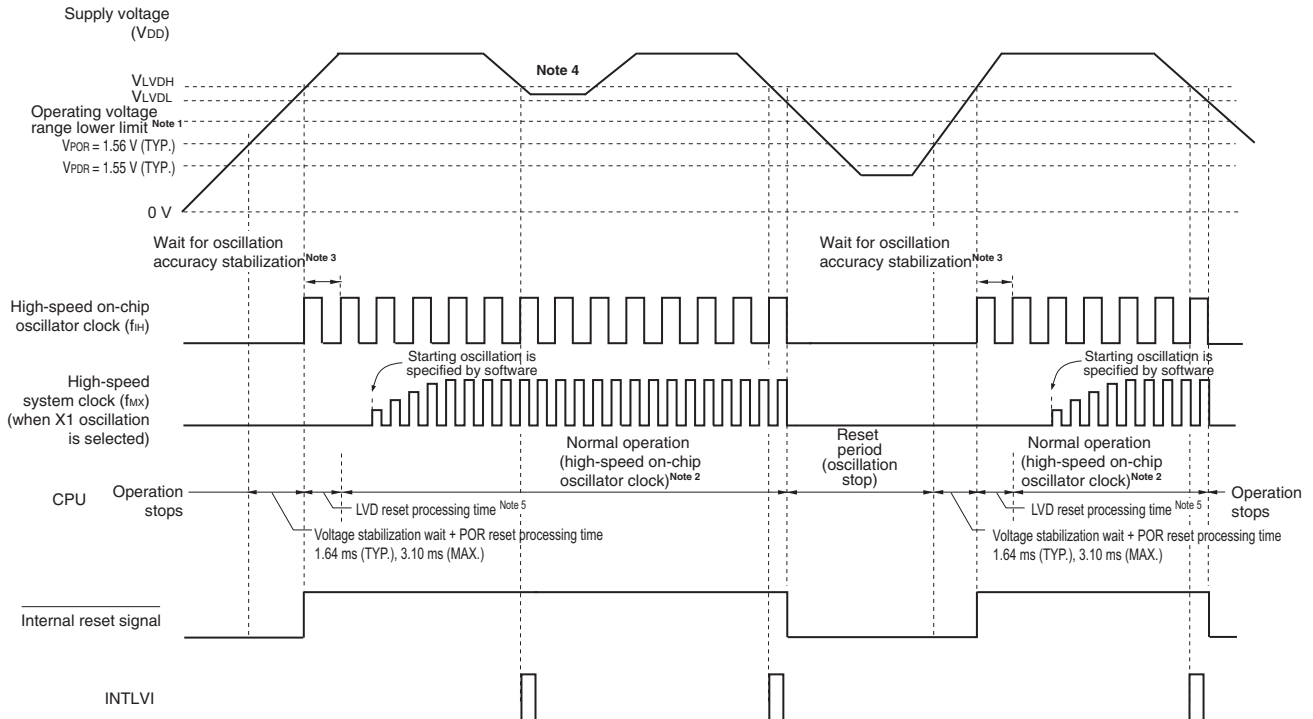


- Notes**
- The internal reset processing time includes the oscillation accuracy stabilization time of the high-speed on-chip oscillator clock.
 - The high-speed on-chip oscillator clock and a high-speed system clock or subsystem clock can be selected as the CPU clock. To use the X1 clock, use the oscillation stabilization time counter status register (OSTC) to confirm the lapse of the oscillation stabilization time. To use the XT1 clock, use the timer function for confirmation of the lapse of the stabilization time.
 - The time until normal operation starts includes the following reset processing time when the external reset is released (after the first release of POR) after the $\overline{\text{RESET}}$ signal is driven high (1) as well as the voltage stabilization wait time after V_{POR} (1.56 V, typ.) is reached.
Reset processing time when the external reset is released is shown below.
After the first release of POR: 0.672 ms (typ.), 0.832 ms (max.) (when the LVD is in use)
0.399 ms (typ.), 0.519 ms (max.) (when the LVD is off)
 - Reset processing time when the external reset is released after the second release of POR is shown below.
After the second release of POR: 0.531 ms (typ.), 0.675 ms (max.) (when the LVD is in use)
0.259 ms (typ.), 0.362 ms (max.) (when the LVD is off)
 - After power is supplied, the reset state must be retained until the operating voltage becomes in the range defined in the AC characteristics in **CHAPTER 35** and **CHAPTER 36 ELECTRICAL SPECIFICATIONS**. This is done by controlling the externally input reset signal. After power supply is turned off, this LSI should be placed in the STOP mode, or in the reset state by utilizing the voltage detection circuit or externally input reset signal, before the voltage falls below the operating range. When restarting the operation, make sure that the operation voltage has returned within the range of operation.

Remark V_{POR}: POR power supply rise detection voltage
V_{PDR}: POR power supply fall detection voltage

Figure 26-2. Timing of Generation of Internal Reset Signal by Power-on-reset Circuit and Voltage Detector (2/2)

(2) When LVD is interrupt & reset mode (option byte 000C1/020C1H: LVIMDS1, LVIMDS0 = 1, 0)



- Notes**
1. The guaranteed range for operation is $2.7\text{ V} \leq V_{DD} \leq 5.5\text{ V}$. Only proceed with normal operations after V_{DD} has reached or exceeded 2.7 V. If an operation may be generated at lower than 2.7 V when the supply voltage falls or power-on, use the reset function of the voltage detector, or input the low level to the $\overline{\text{RESET}}$ pin.
 2. The high-speed on-chip oscillator clock and a high-speed system clock or subsystem clock can be selected as the CPU clock. To use the X1 clock, use the oscillation stabilization time counter status register (OSTC) to confirm the lapse of the oscillation stabilization time. To use the XT1 clock, use the timer function for confirmation of the lapse of the stabilization time.
 3. The internal reset processing time includes the oscillation accuracy stabilization time of the high-speed on-chip oscillator clock.
 4. After the first interrupt request signal (INTLVI) is generated, the LVILV and LVIMD bits of the voltage detection level register (LVIS) are automatically set to 1. After INTLVI is generated, appropriate settings should be made according to **Figure 27-8 Initial Setting of Interrupt and Reset Mode**, taking into consideration that the supply voltage might return to V_{LVDH} or higher without falling below V_{LVDL}.
 5. LVD reset processing time: 0 to 0.0701 ms (MAX.)

Remark V_{LVDH}, V_{LVDL}: LVD detection voltage
V_{POR}: POR power supply rise detection voltage
V_{PDR}: POR power supply fall detection voltage

26.4 Cautions for Power-on-reset Circuit

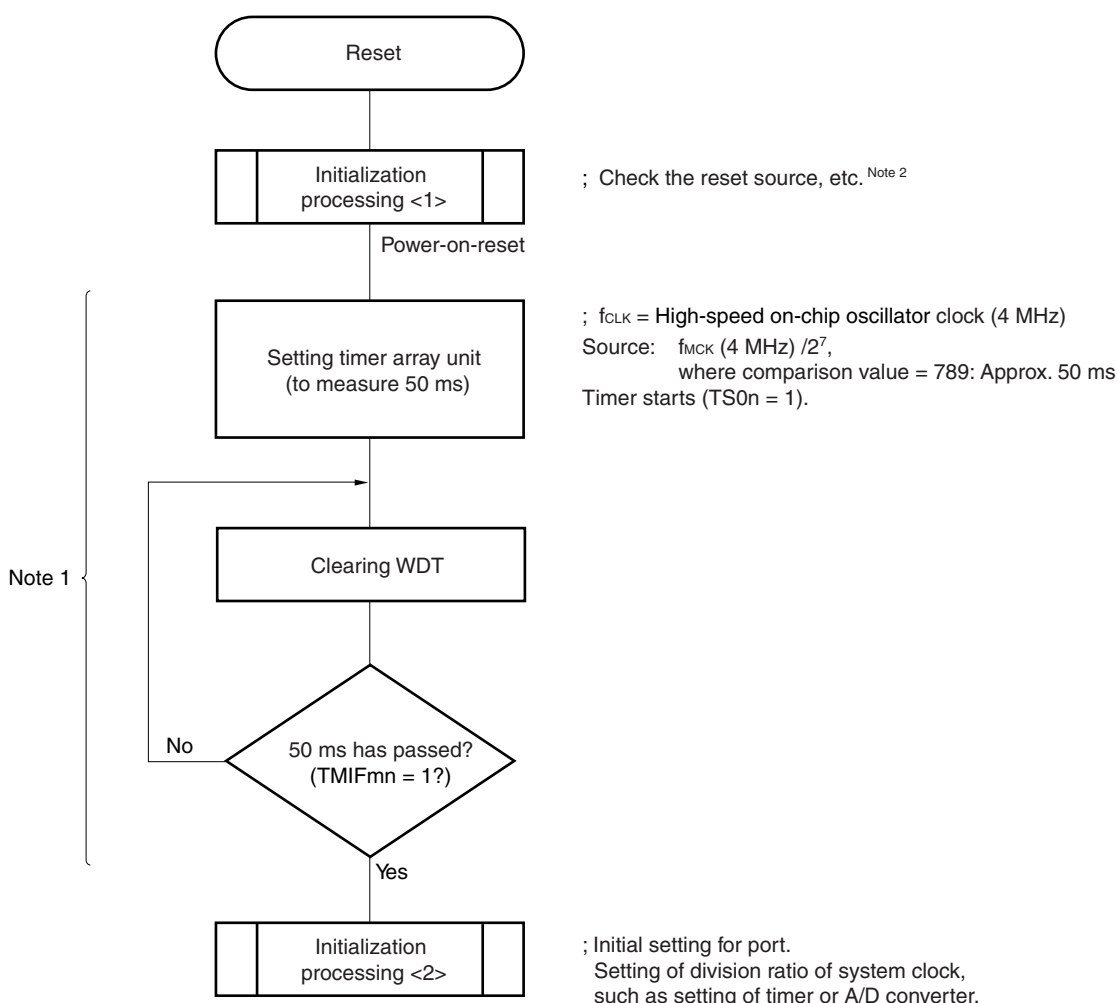
In a system where the supply voltage (V_{DD}) fluctuates for a certain period in the vicinity of the POR detection voltage (V_{POR} , V_{PDR}), the system may be repeatedly reset and released from the reset status. In this case, the time from release of reset to the start of the operation of the microcontroller can be arbitrarily set by taking the following action.

<Action>

After releasing the reset signal, wait for the supply voltage fluctuation period of each system by means of a software counter that uses a timer, and then initialize the ports.

Figure 26-3. Example of Software Processing After Reset Release (1/2)

(1) If supply voltage fluctuation is 50 ms or less in vicinity of POR detection voltage



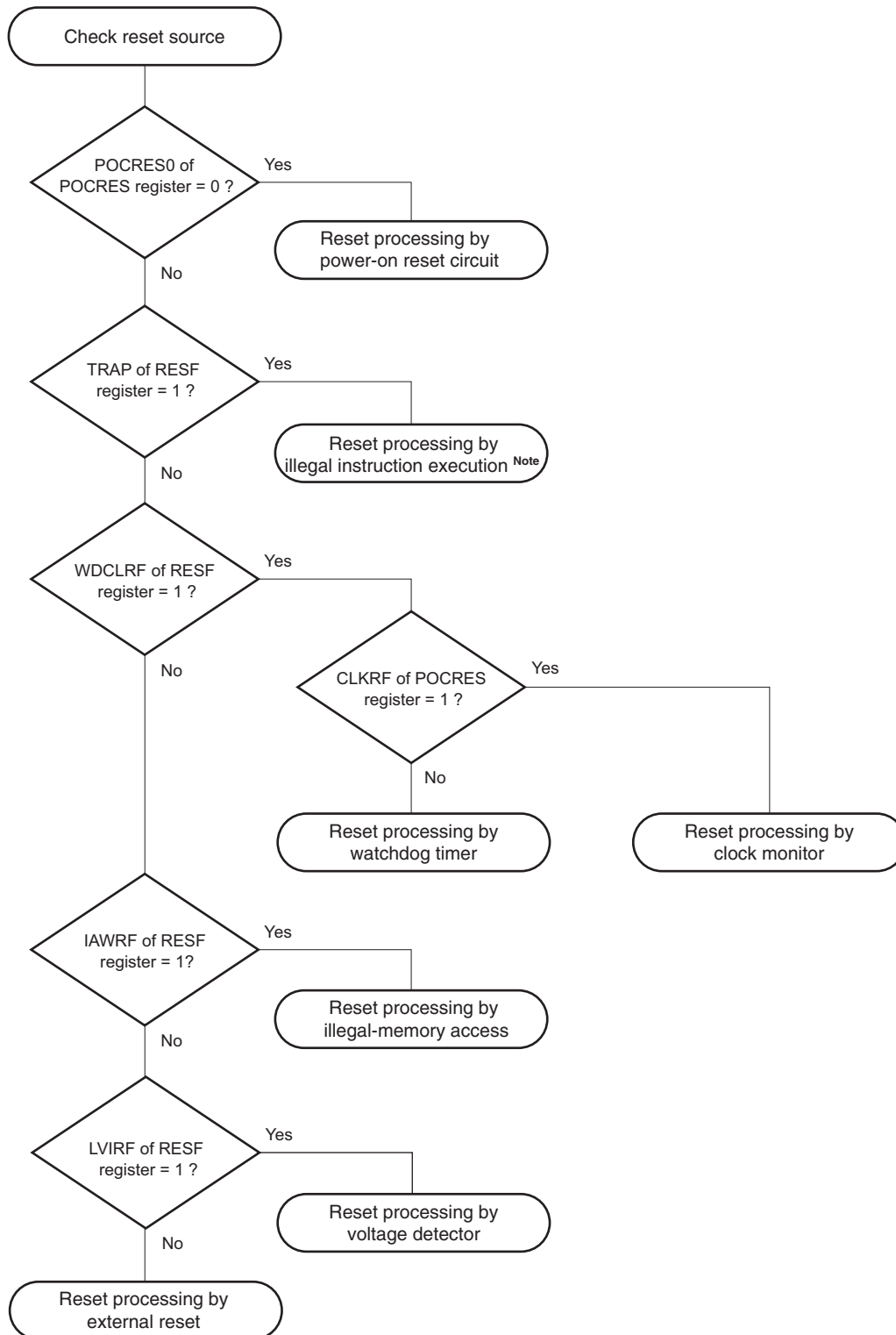
Notes 1. If reset is generated again during this period, initialization processing <2> is not started.

2. A flowchart is shown on the next page.

Remark m = 0, 1, n = 0 to 7

Figure 26-3. Example of Software Processing After Reset Release (2/2)

(2) Checking reset source



Note The illegal instruction is generated when instruction code FFH is executed.
 Reset by the illegal instruction execution not issued by emulation with the in-circuit emulator or on-chip debug emulator.

CHAPTER 27 VOLTAGE DETECTOR

27.1 Functions of Voltage Detector

The voltage detector (LVD) has the following functions.

- The LVD circuit compares the supply voltage (V_{DD}) with the detection voltage (V_{LVDH} , V_{LVDL}), and generates an internal reset or internal interrupt signal.
- The detection level for the power supply detection voltage (V_{LVDH} , V_{LVDL}) can be selected by using the option byte as one of 14 levels (For details, see **CHAPTER 30 OPTION BYTE**).
- Operable in STOP mode.
- The following three operation modes can be selected by using the option byte.

(a) Interrupt & reset mode (option byte LVIMDS1, LVIMDS0 = 1, 0)

For the two detection voltages selected by the option byte 000C1H/020C1H, the high-voltage detection level (V_{LVDH}) is used for generating interrupts and ending resets, and the low-voltage detection level (V_{LVDL}) is used for triggering resets.

(b) Reset mode (option byte LVIMDS1, LVIMDS0 = 1, 1)

The detection voltage (V_{LVD}) selected by the option byte 000C1H/020C1H is used for triggering and ending resets.

(c) Interrupt mode (option byte LVIMDS1, LVIMDS0 = 0, 1)

The detection voltage (V_{LVD}) selected by the option byte 000C1H/020C1H is used for generating interrupts/reset release.

Two detection voltages (V_{LVDH} , V_{LVDL}) can be specified in the interrupt & reset mode, and one (V_{LVD}) can be specified in the reset mode and interrupt mode.

The reset and interrupt signals are generated as follows according to the option byte (LVIMDS0, LVIMDS1) selection.

Interrupt & reset mode (LVIMDS1, LVIMDS0 = 1, 0)	Reset mode (LVIMDS1, LVIMDS0 = 1, 1)	Interrupt mode (LVIMDS1, LVIMDS0 = 0, 1)
Generates an internal interrupt signal when $V_{DD} < V_{LVDH}$, and an internal reset when $V_{DD} < V_{LVDL}$. Releases the reset signal when $V_{DD} \geq V_{LVDH}$.	Generates an internal reset signal when $V_{DD} < V_{LVD}$ and releases the reset signal when $V_{DD} \geq V_{LVD}$.	Generates an internal interrupt signal when V_{DD} drops lower than V_{LVD} ($V_{DD} < V_{LVD}$) or when V_{DD} becomes V_{LVD} or higher ($V_{DD} \geq V_{LVD}$). Releases the reset signal when $V_{DD} \geq V_{LVD}$ at power on.

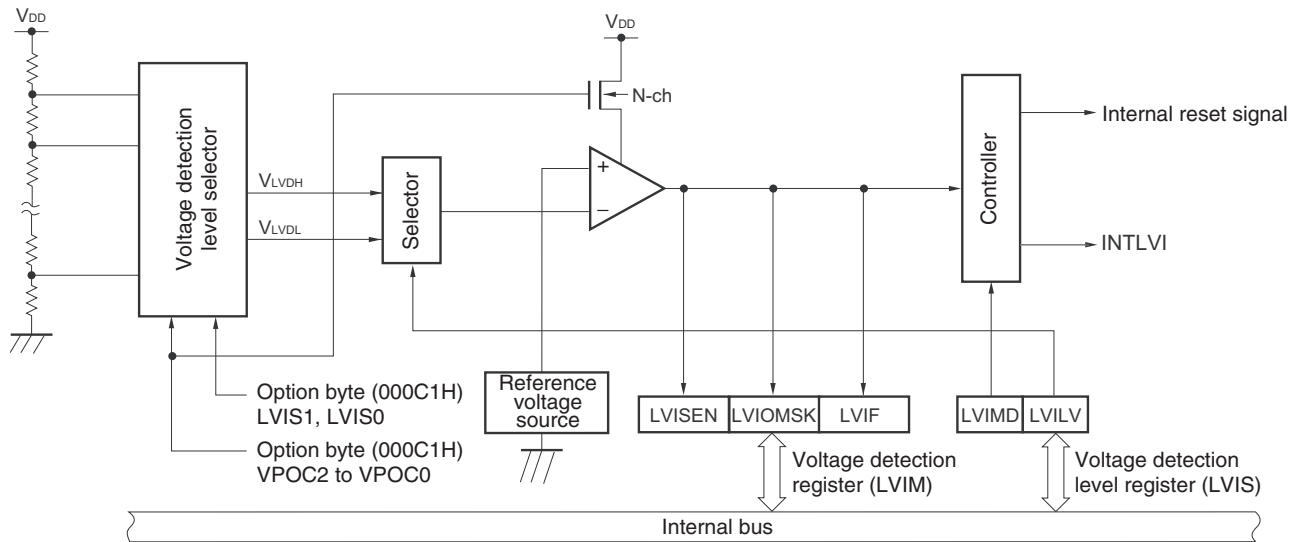
While the voltage detector is operating, whether the supply voltage is more than or less than the detection level can be checked by reading the voltage detection flag (LVIF: bit 0 of the voltage detection register (LVIM)).

Bit 0 (LVIRF) of the reset control flag register (RESF) is set to 1 if reset occurs. For details of the RESF register, see **CHAPTER 25 RESET FUNCTION**.

27.2 Configuration of Voltage Detector

The block diagram of the voltage detector is shown in Figure 27-1.

Figure 27-1. Block Diagram of Voltage Detector



27.3 Registers Controlling Voltage Detector

The voltage detector is controlled by the following registers.

- Voltage detection register (LVIM)
- Voltage detection level register (LVIS)

27.3.1 Voltage detection register (LVIM)

This register is used to specify whether to enable or disable rewriting the voltage detection level register (LVIS), as well as to check the LVD output mask status.

This register can be set by a 1-bit or 8-bit memory manipulation instruction.

Reset signal generation clears this register to 00H ^{Note 1}.

Figure 27-2. Format of Voltage Detection Register (LVIM)

Address: FFFA9H After reset: 00H ^{Note 1} R/W ^{Note 2}

Symbol	<7>	6	5	4	3	2	<1>	<0>
LVIM	LVISEN	0	0	0	0	0	LVIOMSK	LVIF

LVISEN	Specification of whether to enable or disable rewriting the voltage detection level register (LVIS)
0	Disabling rewriting
1	Enabling rewriting ^{Note 3}

LVIOMSK	Mask status flag of LVD output
0	Mask is invalid
1	Mask is valid ^{Note 4}

LVIF	Voltage detection flag
0	Supply voltage (V_{DD}) \geq detection voltage (V_{LVD}), or when LVD operation is disabled
1	Supply voltage (V_{DD}) $<$ detection voltage (V_{LVD})

- Notes**
1. The reset value changes depending on the reset source.
 If the LVIS register is reset by LVD, it is not reset but holds the current value.
 LVISEN is cleared to 0 by any reset other than one due to LVD.
 2. Bits 0 and 1 are read-only.
 3. This can only be set when LVIMDS1 and LVIMDS0 are set to 1 and 0 (interrupt and reset mode) by the option byte.
 4. LVIOMSK bit is automatically set to 1 in the following periods and reset or interruption by LVD is masked.
 - Period during LVISEN = 1
 - Waiting period from the time when LVD interrupt is generated until LVD detection voltage becomes stable
 - Waiting period from the time when the value of LVILV bit changes until LVD detection voltage becomes stable

27.3.2 Voltage detection level register (LVIS)

This register selects the voltage detection level.

This register can be set by a 1-bit or 8-bit memory manipulation instruction.

Reset signal generation input sets this register to 00H/01H/81H ^{Note1}.

Figure 27-3. Format of Voltage Detection Level Register (LVIS)

Address: FFFAAH After reset: 00H/01H/81H ^{Note 1} R/W

Symbol	<7>	6	5	4	3	2	1	<0>
LVIS	LVIMD	0	0	0	0	0	0	LVILV

LVIMD ^{Note 2}	Operation mode of voltage detection
0	Interrupt mode
1	Reset mode

LVILV ^{Note 2}	LVD detection level
0	High-voltage detection level (V _{LVDH})
1	Low-voltage detection level (V _{LVDL} or V _{LVD})

- Notes 1.** The reset value changes depending on the reset source and the setting of the option byte. This register is not cleared (00H) by LVD reset. The generation of reset signal other than an LVD reset sets as follows.
- When option byte LVIMDS1, LVIMDS0 = 1, 0: 00H
 - When option byte LVIMDS1, LVIMDS0 = 1, 1: 81H
 - When option byte LVIMDS1, LVIMDS0 = 0, 1: 01H
- 2.** Writing 0 can only be allowed when LVIMDS1 and LVIMDS0 are set to 1 and 0 (interrupt and reset mode) by the option byte. In other cases, writing is not allowed and the value is switched automatically when reset or interrupt is generated.

- Cautions 1.** Only rewrite the value of the LVIS register after setting the LVISEN bit (bit 7 of the LVIM register) to 1.
- 2.** Specify the LVD operation mode and detection voltage (V_{LVDH}, V_{LVDL}) by using the option byte (000C1H). Table 27-1 shows the option byte (000C1H) settings. For details about the option byte, see **CHAPTER 30 OPTION BYTE**.

Table 27-1. LVD Operation Mode and Detection Voltage Settings for User Option Byte (000C1H/020C1H)

- When used as interrupt & reset mode

Detection voltage			Option byte Setting Value						
V _{LVDH}		V _{LVDL}	LVIMDS1	LVIMDS0	VPOC2	VPOC1	VPOC0	LVIS1	LVIS0
Rising edge	Falling edge	Falling edge							
4.42 V	4.32 V	2.75 V	1	0	0	0	1	0	0
4.62 V	4.52 V	2.75 V			0	1	0	0	0
3.32 V	3.15 V	2.75 V			0	1	1	0	1
4.74 V	4.64 V				0	0	0	0	
Other than above			Setting prohibited						

- When used as reset mode

Detection voltage		Option byte Setting Value						
V _{LVD}		LVIMDS1	LVIMDS0	VPOC2	VPOC1	VPOC0	LVIS1	LVIS0
Rising edge	Falling edge							
2.81 V	2.75 V	1	1	0	1	1	1	1
3.02 V	2.96 V			0	0	0	0	1
3.22 V	3.15 V			0	1	1	0	1
4.42 V	4.32 V			0	0	1	0	0
4.62 V	4.52 V			0	1	0	0	0
4.74 V	4.64 V			0	1	1	0	0
Other than above				Setting prohibited				

- When used as interrupt mode

Detection voltage		Option byte Setting Value						
V _{LVD}		LVIMDS1	LVIMDS0	VPOC2	VPOC1	VPOC0	LVIS1	LVIS0
Rising edge	Falling edge							
2.81 V	2.75 V	0	1	0	1	1	1	1
3.02 V	2.96 V			0	0	0	0	1
3.22 V	3.15 V			0	1	1	0	1
4.42 V	4.32 V			0	0	1	0	0
4.62 V	4.52 V			0	1	0	0	0
4.74 V	4.64 V			0	1	1	0	0
Other than above				Setting prohibited				

- When LVDOFF

Detection voltage		Option byte Setting Value						
V _{LVD}		LVIMDS1	LVIMDS0	VPOC2	VPOC1	VPOC0	LVIS1	LVIS0
Rising edge	Falling edge							
–	–	×	1	1	×	×	×	×
Other than above		Setting prohibited						

Caution When the LVD is off, it is necessary to perform an external reset. For an external reset, input a low level of at least 10 μ s or more to the RESET pin. To perform an external reset upon power application, input a low level to the RESET pin before power-on, keep the low level for at least 10 μ s during the period in which the supply voltage is within the operating range, and then input a high level. After power is applied, do not input a high level to the RESET pin during a period in which the supply voltage is not within the operating range.

Remark ×: don't care

27.4 Operation of Voltage Detector

27.4.1 When used as reset mode

- When starting operation

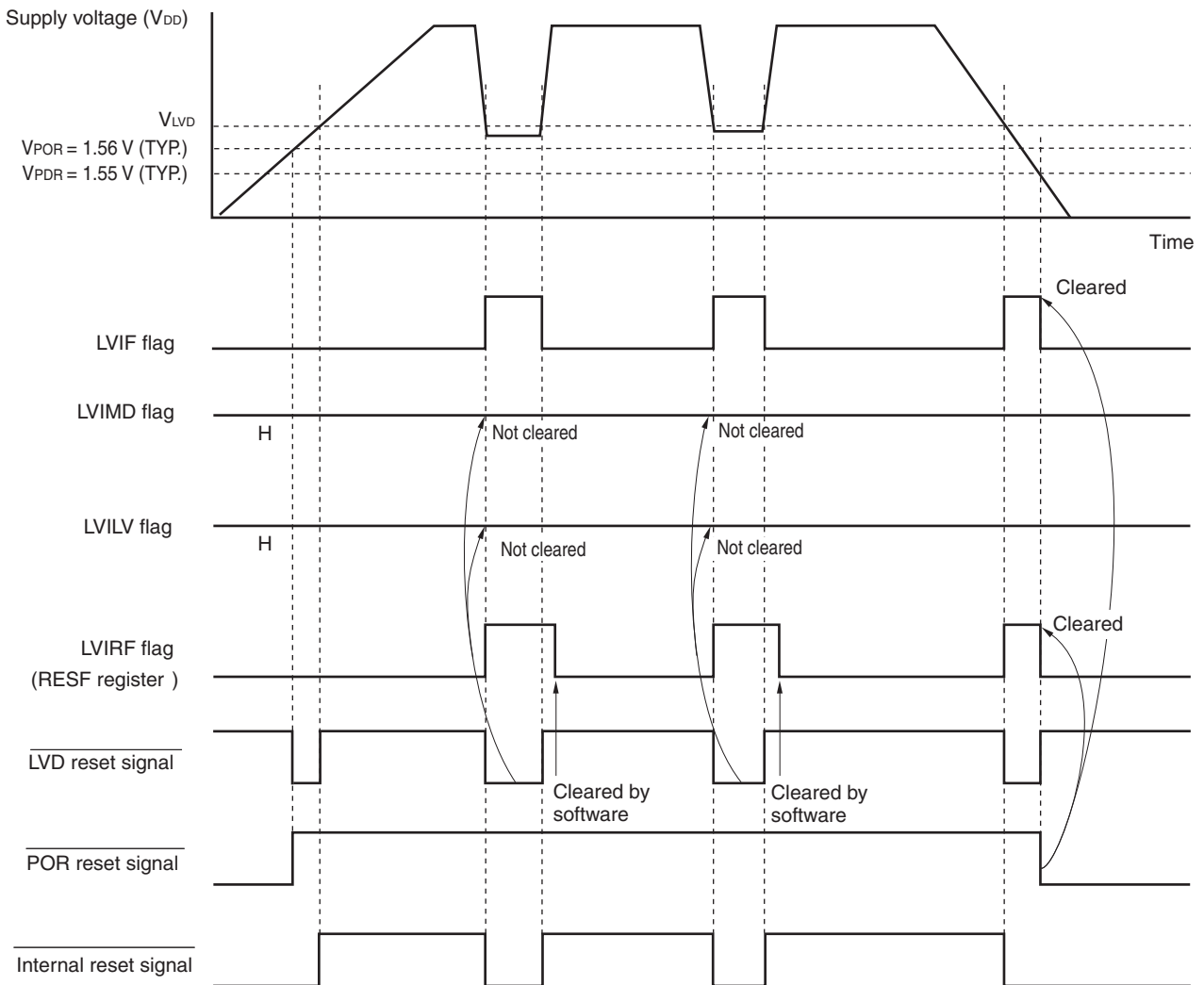
Start in the following initial setting state.

Specify the operation mode (the reset mode (LVIMDS1, LVIMDS0 = 1, 1)) and the detection voltage (V_{LVD}) by using the option byte 000C1H/020C1H.

- Set bit 7 (LVISEN) of the voltage detection register (LVIM) to 0 (disable rewriting of voltage detection level register (LVIS))
- When the option byte LVIMDS1 and LVIMDS0 are set to 1, the initial value of the LVIS register is set to 81H.
 - Bit 7 (LVIMD) is 1 (reset mode).
 - Bit 0 (LVILV) is 1 (low-voltage detection level: V_{LVD}).

Figure 27-4 shows the timing of the internal reset signal generated by the voltage detector.

**Figure 27-4. Timing of Voltage Detector Internal Reset Signal Generation
(Option Byte LVIMDS1, LVIMDS0 = 1, 1)**



Remark V_{POR} : POR power supply rise detection voltage
 V_{PDR} : POR power supply fall detection voltage

27.4.2 When used as interrupt mode

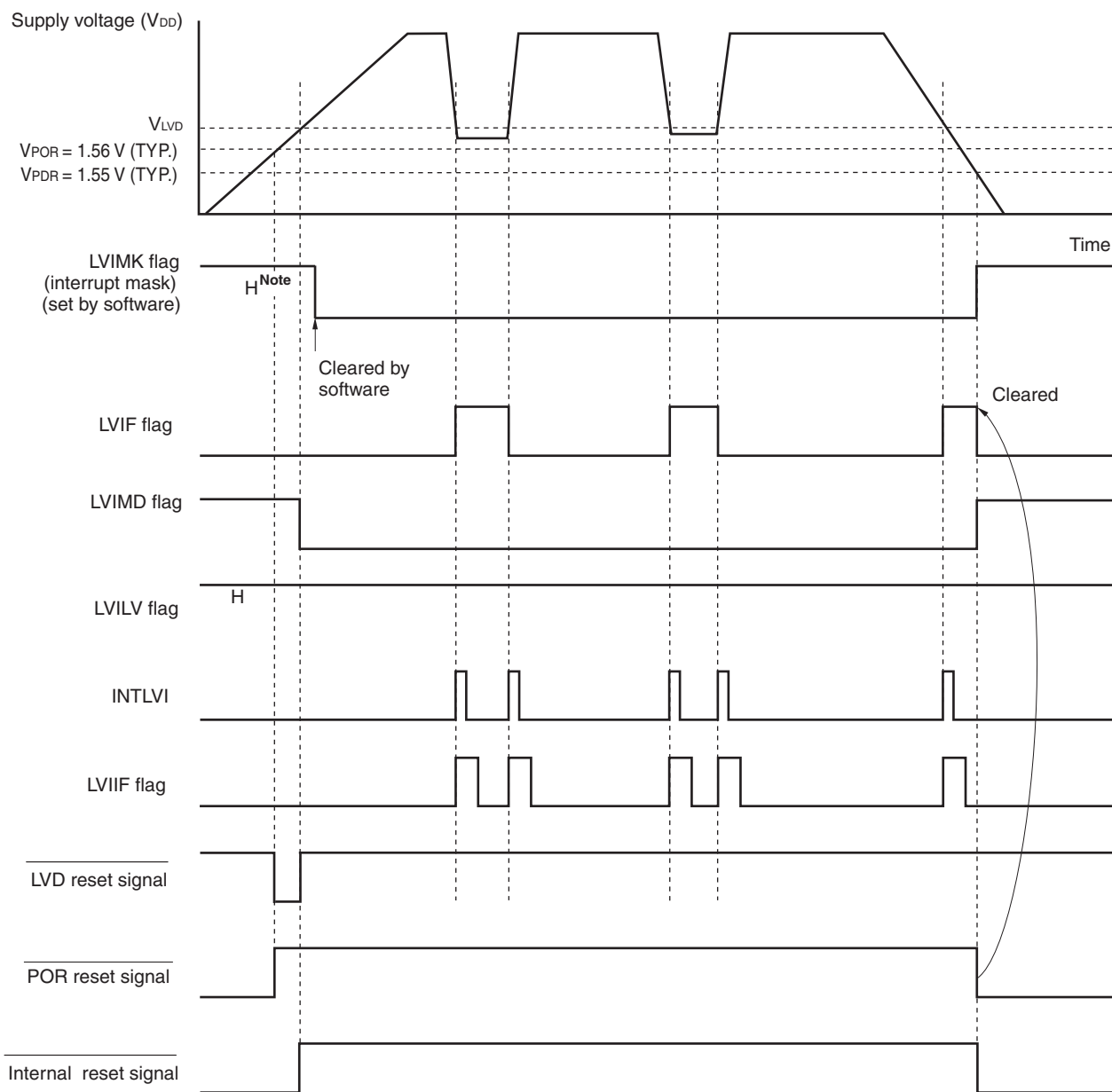
- When starting operation
Specify the operation mode (the interrupt mode (LVIMDS1, LVIMDS0 = 0, 1)) and the detection voltage (V_{LVD}) by using the option byte 000C1H/020C1H.
Do not input a high level to the $\overline{\text{RESET}}$ pin when the supply voltage is not within the operating voltage range.

Start in the following initial setting state.

- Set bit 7 (LVISEN) of the voltage detection register (LVIM) to 0 (disable rewriting of voltage detection level register (LVIS))
- When the option byte LVIMDS1 is clear to 0 and LVIMDS0 is set to 1, the initial value of the LVIS register is set to 01H.
 - Bit 7 (LVIMD) is 0 (interrupt mode).
 - Bit 0 (LVILV) is 1 (low-voltage detection level: V_{LVDL}).

Figure 27-5 shows the timing of the internal interrupt signal generated by the voltage detector.

**Figure 27-5. Timing of Voltage Detector Internal Interrupt Signal Generation
(Option Byte LVIMDS1, LVIMDS0 = 0, 1)**



Note The LVIMK flag is set to 1 by reset signal generation.

Remark V_{POR} : POR power supply rise detection voltage
 V_{PDR} : POR power supply fall detection voltage

27.4.3 When used as interrupt and reset mode

- When starting operation

Specify the operation mode (the interrupt and reset (LVIMDS1, LVIMDS0 = 1, 0)) and the detection voltage (V_{LVDH} , V_{LVDL}) by using the option byte 000C1H/020C1H.

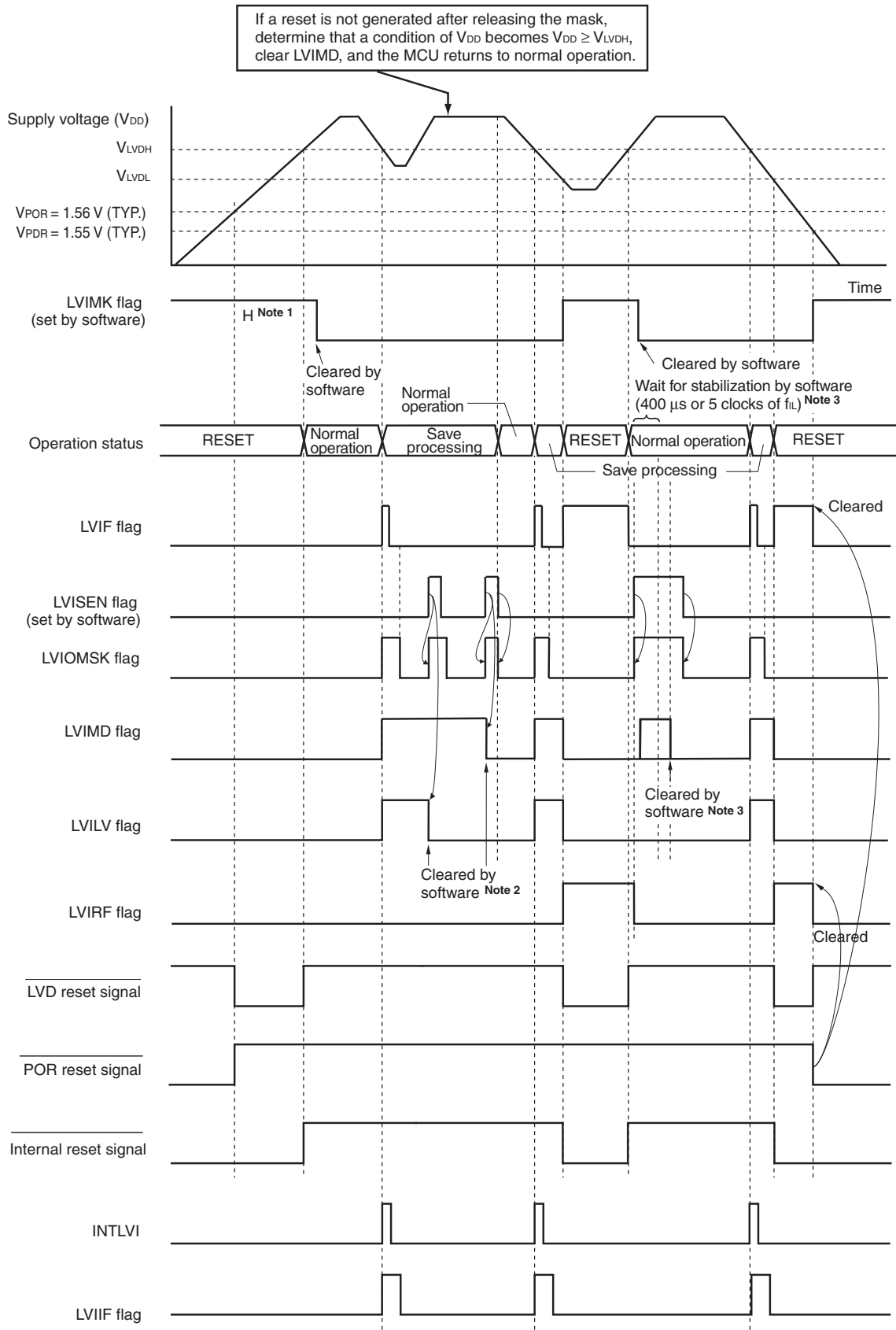
Start in the following initial setting state.

- Set bit 7 (LVISEN) of the voltage detection register (LVIM) to 0 (disable rewriting of voltage detection level register (LVIS))
- When the option byte LVIMDS1 is set to 1 and LVIMDS0 is clear to 0, the initial value of the LVIS register is set to 00H.
 - Bit 7 (LVIMD) is 0 (interrupt mode).
 - Bit 0 (LVILV) is 0 (high-voltage detection level: V_{LVDH}).

Figure 27-6 shows the Timing of Voltage Detector Reset Signal and Interrupt Signal Generation.

Perform the processing according to **Figure 27-7 Processing Procedure After an Interrupt Is Generated** and **Figure 27-8 Initial Setting of Interrupt and Reset Mode**.

Figure 27-6. Timing of Voltage Detector Reset Signal and Interrupt Signal Generation (Option Byte LVIMDS1, LVIMDS0 = 1, 0) (1/2)

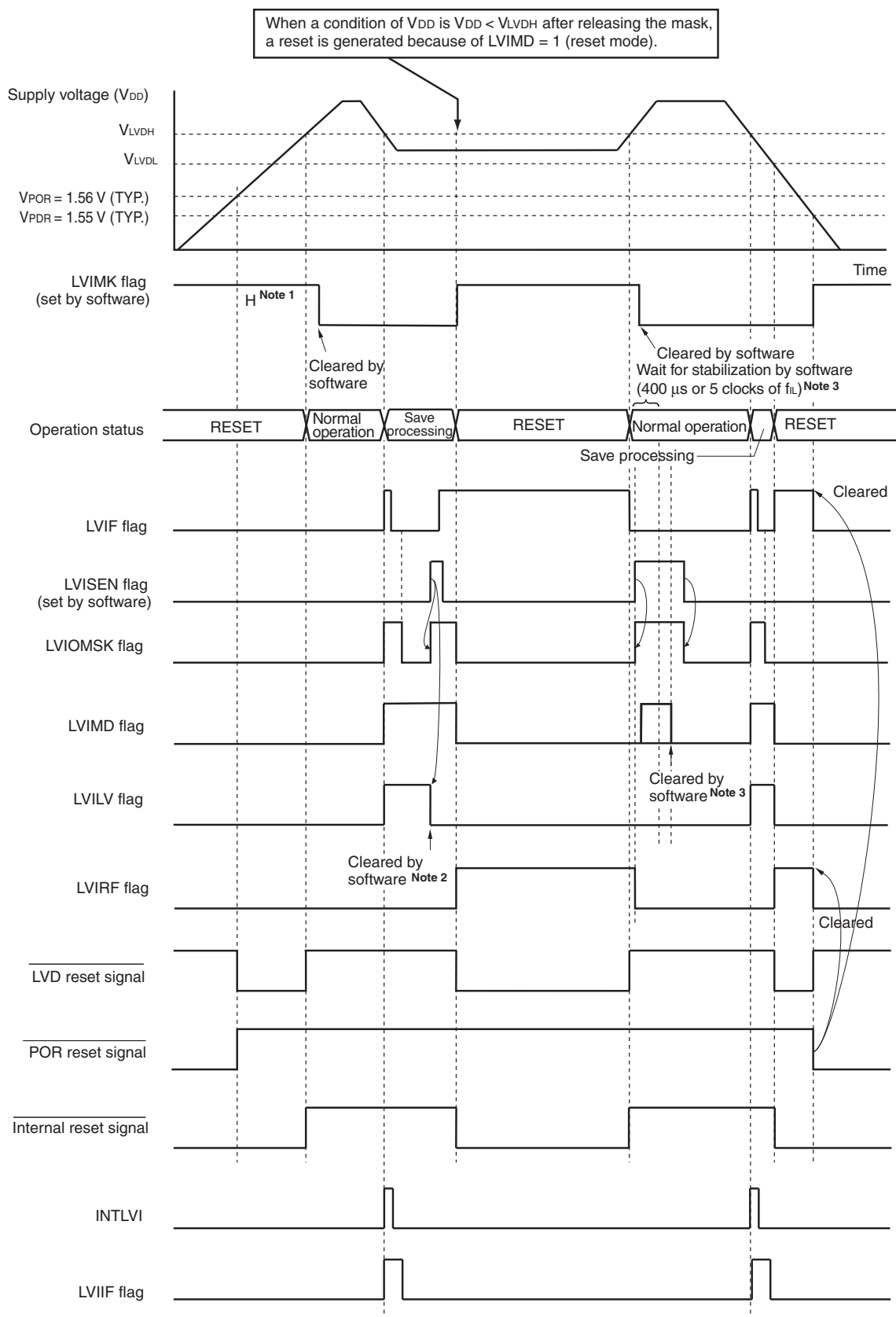


(Notes and Remark are listed on the next page.)

- Notes**
1. The LVIMK flag is set to 1 by reset signal generation.
 2. After an interrupt is generated, perform the processing according to **Figure 27-7 Processing Procedure After an Interrupt Is Generated** in interrupt and reset mode.
 3. After a reset is released, perform the processing according to **Figure 27-8 Initial Setting of Interrupt and Reset Mode** in interrupt and reset mode.

Remark V_{POR} : POR power supply rise detection voltage
 V_{PDR} : POR power supply fall detection voltage

Figure 27-6. Timing of Voltage Detector Reset Signal and Interrupt Signal Generation (Option Byte LVIMDS1, LVIMDS0 = 1, 0) (2/2)

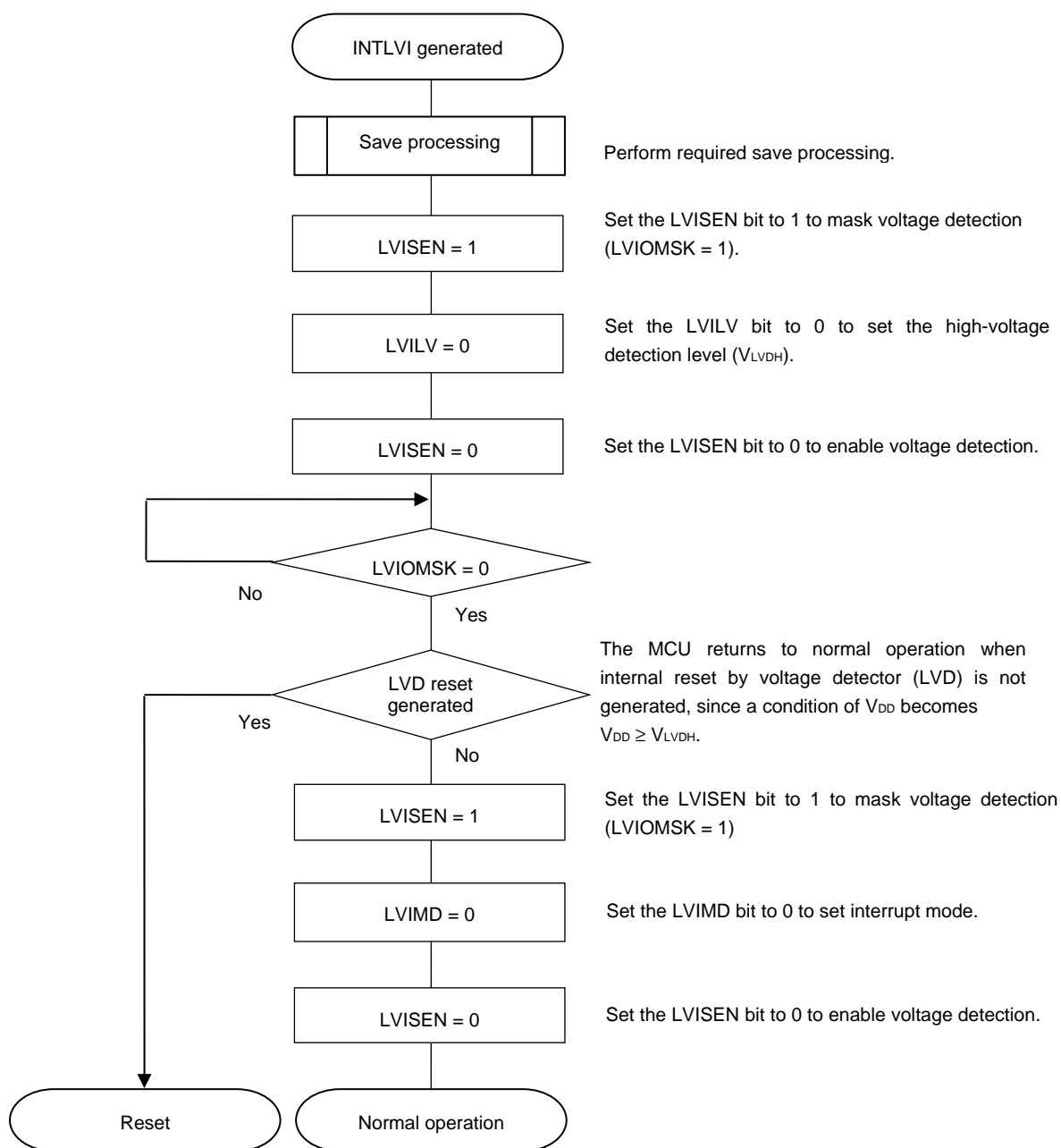


(Notes and Remark are listed on the next page.)

- Notes**
1. The LVIMK flag is set to 1 by reset signal generation.
 2. After an interrupt is generated, perform the processing according to **Figure 27-7 Processing Procedure After an Interrupt Is Generated** in interrupt and reset mode.
 3. After a reset is released, perform the processing according to **Figure 27-8 Initial Setting of Interrupt and Reset Mode** in interrupt and reset mode.

Remark V_{POR} : POR power supply rise detection voltage
 V_{PDR} : POR power supply fall detection voltage

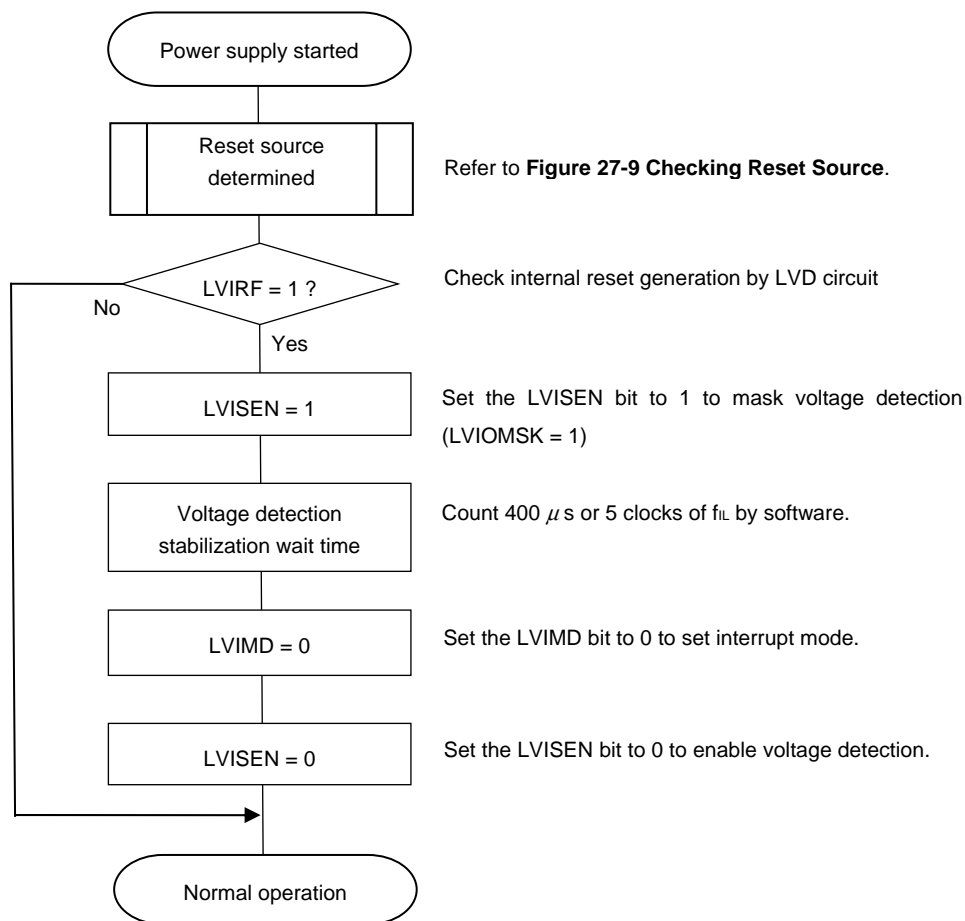
Figure 27-7. Processing Procedure After an Interrupt Is Generated



When setting an interrupt and reset mode (LVIMDS1, LVIMDS0 = 1, 0), voltage detection stabilization wait time for 400 μ s or 5 clocks of f_{IL} is necessary after LVD reset is released (LVIRF = 1). After waiting until voltage detection stabilizes, (0) clear the LVIMD bit for initialization. While voltage detection stabilization wait time is being counted and when the LVIMD bit is rewritten, set LVISEN to 1 to mask a reset or interrupt generation by LVD.

Figure 27-8 shows the procedure for initial setting of interrupt and reset mode.

Figure 27-8. Initial Setting of Interrupt and Reset Mode



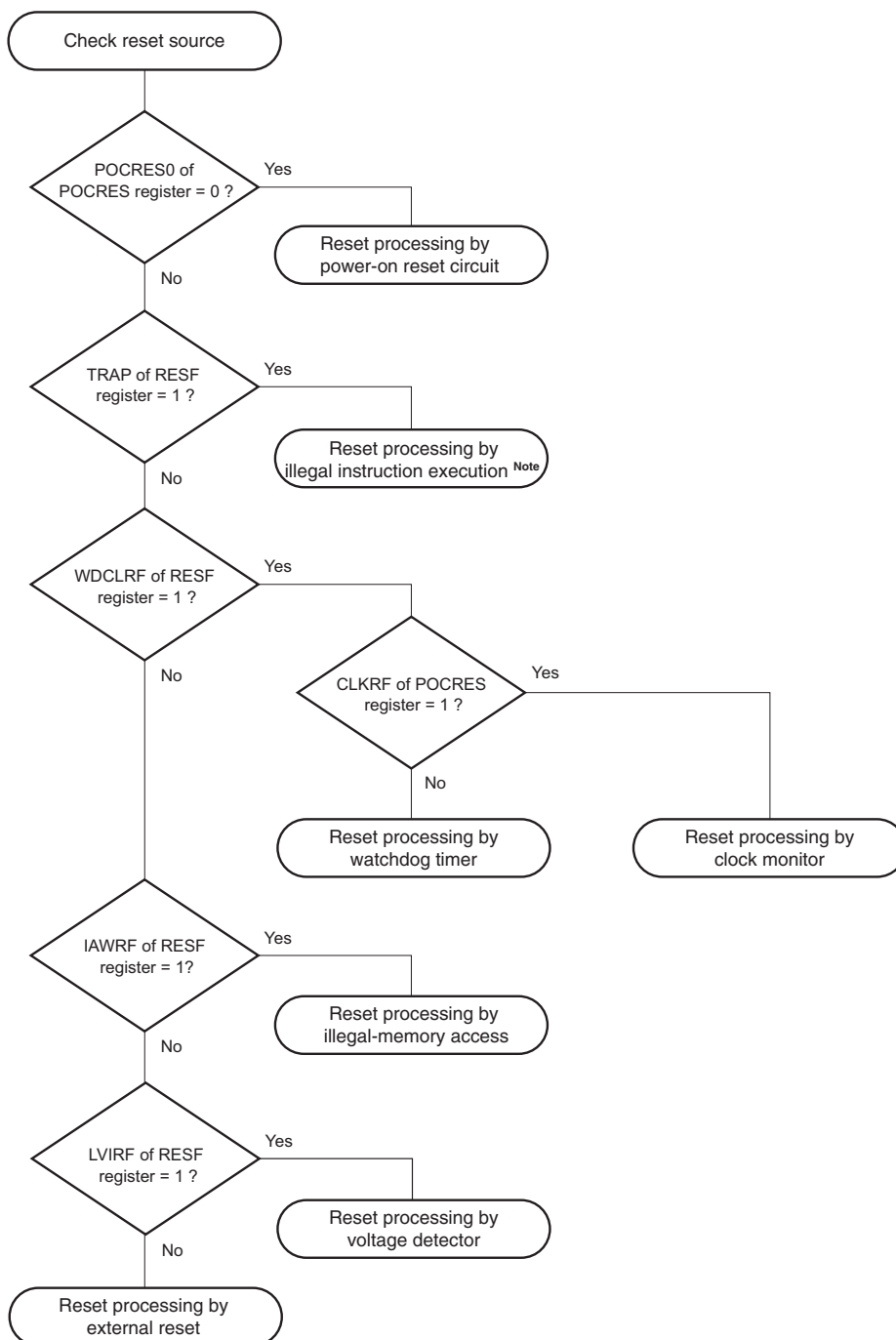
Remark f_{IL} : Low-speed on-chip oscillator clock frequency

27.5 Cautions for Voltage Detector

27.5.1 Checking reset source

When a reset occurs, check the reset source by using the following method.

Figure 27-9. Checking Reset Source



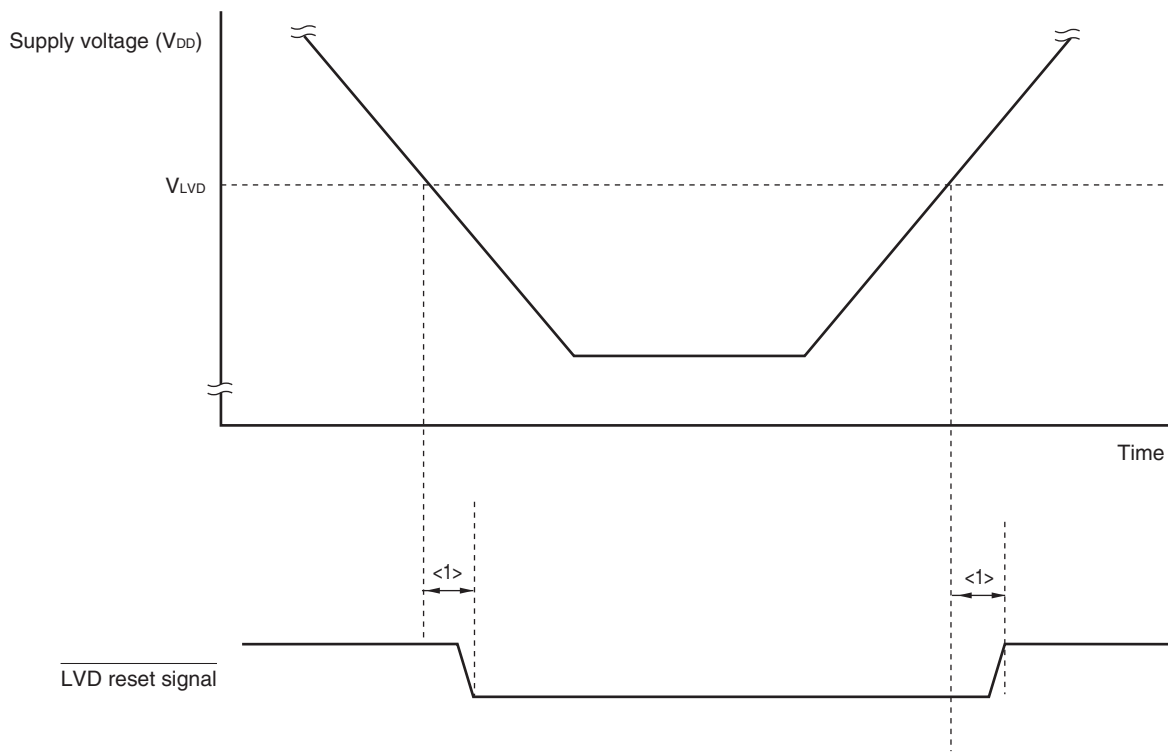
Note When instruction code FFH is executed.
 Reset by the illegal instruction execution not issued by emulation with the in-circuit emulator or on-chip debug emulator.

27.5.2 Delay from the time LVD reset source is generated until the time LVD reset has been generated or released

There is some delay from the time supply voltage (V_{DD}) < LVD detection voltage (V_{LVD}) until the time LVD reset has been generated.

In the same way, there is also some delay from the time LVD detection voltage (V_{LVD}) \leq supply voltage (V_{DD}) until the time LVD reset has been released (see **Figure 27-10**).

Figure 27-10. Delay from The Time LVD Reset Source Is Generated until The Time LVD Reset Has Been Generated or Released



<1>: Detection delay (300 μ s (MAX.))

CHAPTER 28 SAFETY FUNCTIONS

28.1 Overview of Safety Functions

The following safety functions are provided in the RL78/F15 to comply with the IEC60730 and IEC61508 safety standards.

These functions enable the microcontroller to self-diagnose abnormalities and stop operating if an abnormality is detected.

(1) Flash memory CRC operation function (high-speed CRC, general-purpose CRC)

This detects data errors in the flash memory by performing CRC operations.

Two CRC functions are provided in the RL78/F15 that can be used according to the application or purpose of use.

- High-speed CRC: The CPU can be stopped and a high-speed check executed on its entire code flash memory area during the initialization routine.
- General CRC: This can be used for checking various data in addition to the code flash memory area while the CPU is running.

(2) RAM-ECC function

2-bit error detection and 1-bit error correction are available.

(3) CPU stack pointer monitor function

This detects underflows and overflows of the stack pointer.

(4) Clock monitoring function

The system clock (f_{MAIN}) and main/PLL select clock (f_{MP}) are monitored to detect oscillation stopping.

(5) RAM guard function

This prevents RAM data from being rewritten when the CPU freezes.

(6) SFR guard function

This prevents SFRs from being rewritten when the CPU freezes.

(7) Invalid memory access detection function

This detects illegal accesses to invalid memory areas (such as areas where no memory is allocated and areas to which access is restricted).

(8) Frequency detection function

This uses TAU to detect the oscillation frequency.

(9) A/D test function

This is used to perform a self-check of A/D conversion by performing A/D conversion on the internal reference voltage.

(10) Digital output signal level detection function for I/O ports

When the I/O ports are output mode in which PMm bit of the port mode register (PMm) is 0, the output level of the pin can be read.

Remark m = 0 to 16, n = 0 to 7

28.2 Registers Used by Safety Functions

The safety functions use the following registers:

Register	Each Function of Safety Function
<ul style="list-style-type: none"> Flash memory CRC control register (CRC0CTL) Flash memory CRC operation result register (PGCRCL) 	Flash memory CRC operation function (high-speed CRC)
<ul style="list-style-type: none"> CRC input register (CRCIN) CRC operation mode control register (CRCMD) CRC data register (CRCD) 	CRC operation function (general-purpose CRC)
<ul style="list-style-type: none"> Error address store register (ERADR) 1-bit error detection interrupt enable register (ECCIER) Bit error detection register (ECCER) ECC test protect register (ECCTPR) ECC test mode register (ECCTMDR) Write data inversion register (ECCDWRVR) 	RAM-ECC function
<ul style="list-style-type: none"> SPM control register (SPMCTRL) SP overflow address setting register (SPOFR) SP underflow setting register (SPUFR) 	Stack pointer monitor function
<ul style="list-style-type: none"> Invalid memory access detection control register (IAWCTL) 	RAM guard function
	SFR guard function
	Invalid memory access detection function
<ul style="list-style-type: none"> Timer input select register 0 (TIS0) System clock control register (CKC) 	Frequency detection function
<ul style="list-style-type: none"> A/D test register (ADTES) Analog input channel specification register (ADS) 	A/D test function
<ul style="list-style-type: none"> Port mode select register (PMS) 	Digital output signal level detection function for I/O ports

The content of each register is described in **28.3 Operation of Safety Functions**.

28.3 Operation of Safety Functions

28.3.1 Flash memory CRC operation function (high-speed CRC)

The IEC60730 standard mandates the checking of data in the flash memory, and recommends using CRC to do it. The high-speed CRC provided in the RL78/F15 can be used to check the entire code flash memory area during the initialization routine. The high-speed CRC can be executed only when the program is allocated on the RAM and in the HALT mode of the main system clock.

High-speed CRC operations are performed by stopping the CPU and reading 32 bits of data from the flash memory in one clock cycle. The feature of this operation is the short time it takes until the end of the check (512 Kbytes of flash memory are checked in 4096 μ s when the operating clock is at 32 MHz).

The CRC generator polynomial used complies with " $X^{16} + X^{12} + X^5 + 1$ " of CRC-16-CCITT.

The high-speed CRC operates in MSB first order from bit 31 to bit 0.

Caution The result of the CRC operation will differ from that in on-chip debugging because of allocation of the monitor program.

Remark The operation result is different between the high-speed CRC and the general CRC, because the general CRC operates in LSB first order.

<Control register>

(1) Flash memory CRC control register (CRC0CTL)

This register is used to control the operation of the high-speed CRC ALU, as well as to specify the operation range.

The CRC0CTL register can be set by a 1-bit or 8-bit memory manipulation instruction.

Reset signal generation clears this register to 00H.

Figure 28-1. Format of Flash Memory CRC Control Register (CRC0CTL)

Address: F02F0H After reset: 00H R/W

Symbol	<7>	6	5	4	3	2	1	0
CRC0CTL	CRC0EN	0	FEA5	FEA4	FEA3	FEA2	FEA1	FEA0

CRC0EN	Control of high-speed CRC ALU operation
0	Stop the operation.
1	Start the operation according to HALT instruction execution.

FEA5	FEA4	FEA3	FEA2	FEA1	FEA0	High-speed CRC operation range
0	0	0	0	0	0	00000H to 3FFBH (16 Kbytes to 4 bytes)
0	0	0	0	0	1	00000H to 7FFBH (32 Kbytes to 4 bytes)
0	0	0	0	1	0	00000H to BFFBH (48 Kbytes to 4 bytes)
0	0	0	0	1	1	00000H to FFFBH (64 Kbytes to 4 bytes)
0	0	0	1	0	0	00000H to 13FFBH (80 Kbytes to 4 bytes)
0	0	0	1	0	1	00000H to 17FFBH (96 Kbytes to 4 bytes)
0	0	0	1	1	0	00000H to 1BFFBH (112 Kbytes to 4 bytes)
0	0	0	1	1	1	00000H to 1FFFBH (128 Kbytes to 4 bytes)
0	0	1	0	0	0	00000H to 23FFBH (144 Kbytes to 4 bytes)
0	0	1	0	0	1	00000H to 27FFBH (160 Kbytes to 4 bytes)
0	0	1	0	1	0	00000H to 2BFFBH (176 Kbytes to 4 bytes)
0	0	1	0	1	1	00000H to 2FFFBH (192 Kbytes to 4 bytes)
0	0	1	1	0	0	00000H to 33FFBH (208 Kbytes to 4 bytes)
0	0	1	1	0	1	00000H to 37FFBH (224 Kbytes to 4 bytes)
0	0	1	1	1	0	00000H to 3BFFBH (240 Kbytes to 4 bytes)
0	0	1	1	1	1	00000H to 3FFFBH (256 Kbytes to 4 bytes)
0	1	0	0	0	0	00000H to 43FFBH (272 Kbytes to 4 bytes)
0	1	0	0	0	1	00000H to 47FFBH (288 Kbytes to 4 bytes)
0	1	0	0	1	0	00000H to 4BFFBH (304 Kbytes to 4 bytes)
0	1	0	0	1	1	00000H to 4FFFBH (320 Kbytes to 4 bytes)
0	1	0	1	0	0	00000H to 53FFBH (336 Kbytes to 4 bytes)
0	1	0	1	0	1	00000H to 57FFBH (352 Kbytes to 4 bytes)
0	1	0	1	1	0	00000H to 5BFFBH (368 Kbytes to 4 bytes)
0	1	0	1	1	1	00000H to 5FFFBH (384 Kbytes to 4 bytes)
0	1	1	0	0	0	00000H to 63FFBH (400 Kbytes to 4 bytes)
0	1	1	0	0	1	00000H to 67FFBH (416 Kbytes to 4 bytes)
0	1	1	0	1	0	00000H to 6BFFBH (432 Kbytes to 4 bytes)
0	1	1	0	1	1	00000H to 6FFFBH (448 Kbytes to 4 bytes)
0	1	1	1	0	0	00000H to 73FFBH (464 Kbytes to 4 bytes)
0	1	1	1	0	1	00000H to 77FFBH (480 Kbytes to 4 bytes)
0	1	1	1	1	0	00000H to 7BFFBH (496 Kbytes to 4 bytes)
0	1	1	1	1	1	00000H to 7FFFBH (512 Kbytes to 4 bytes)
Other than the above						Setting prohibited

(Remark is listed on the next page.)

Remark Input the expected CRC operation result value to be used for comparison in the lowest 4 bytes of the flash memory. Note that the operation range will thereby be reduced by 4 bytes.

(2) Flash memory CRC operation result register (PGCRCL)

This register is used to store the high-speed CRC operation results.

The PGCRCL register can be set by a 16-bit memory manipulation instruction.

Reset signal generation clears this register to 0000H.

Figure 28-2. Format of Flash Memory CRC Operation Result Register (PGCRCL)

Address: F02F2H After reset: 0000H R/W

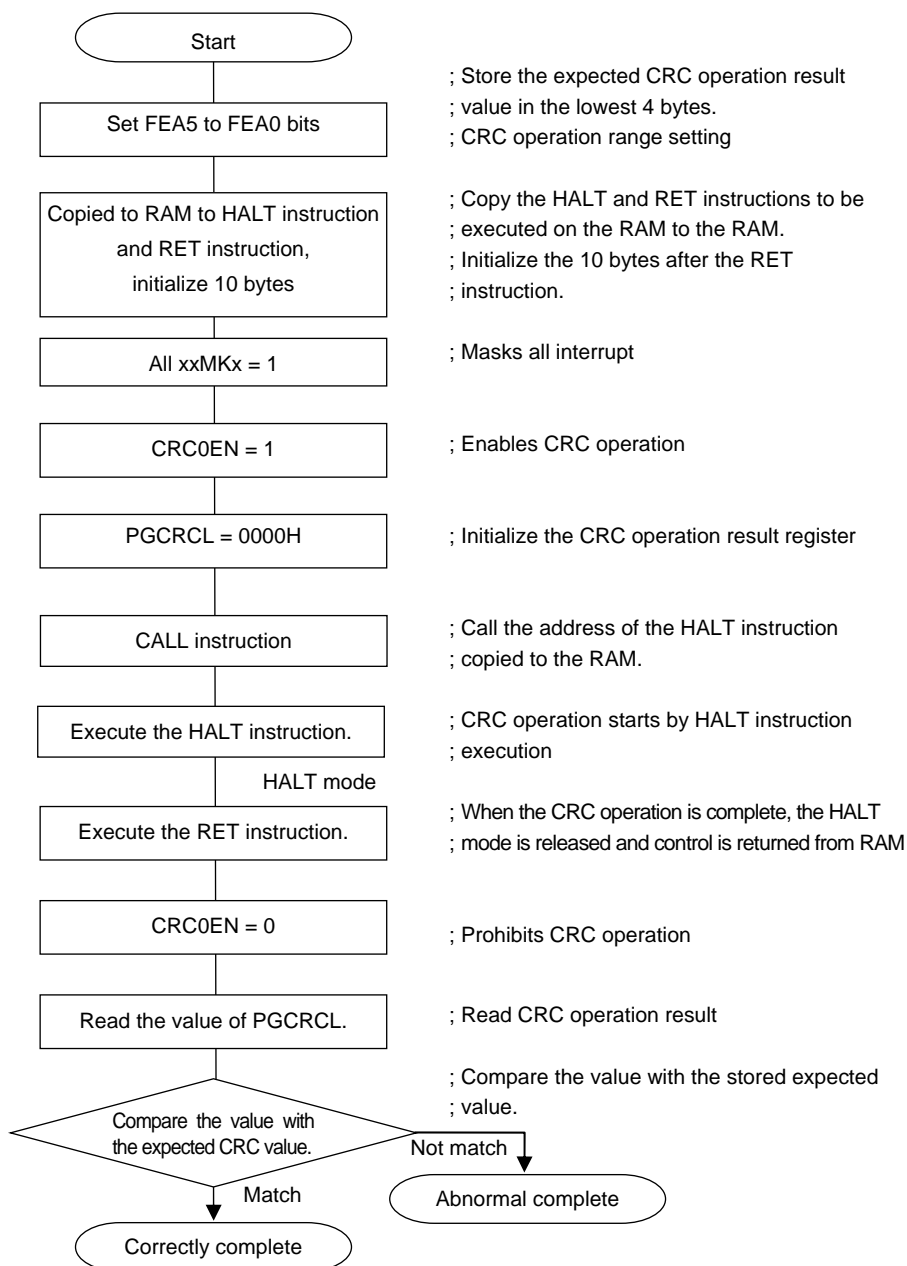
Symbol	15	14	13	12	11	10	9	8
PGCRCL	PGCRC15	PGCRC14	PGCRC13	PGCRC12	PGCRC11	PGCRC10	PGCRC9	PGCRC8
	7	6	5	4	3	2	1	0
	PGCRC7	PGCRC6	PGCRC5	PGCRC4	PGCRC3	PGCRC2	PGCRC1	PGCRC0
	PGCRC15 to PGCRC0		High-speed CRC operation results					
	0000H to FFFFH		Store the high-speed CRC operation results.					

Caution The PGCRCL register can only be written if CRC0EN (bit 7 of the CRC0CTL register) = 1.

Figure 28-3 shows the flowchart of flash memory CRC operation function (high-speed CRC).

<Operation flow>

Figure 28-3. Flowchart of Flash Memory CRC Operation Function (High-speed CRC)



- Cautions**
1. The CRC operation is executed only on the code flash.
 2. Store the expected CRC operation value in the area below the operation range in the code flash.
 3. Boot swapping is not performed while the CRC operation is being executed.
 4. The CRC operation is enabled by executing the HALT instruction in the RAM area.
Be sure to execute the HALT instruction in RAM area.

The expected CRC value can be calculated by using tools such as the CS+ development environment (see the CS+ user's manual for details).

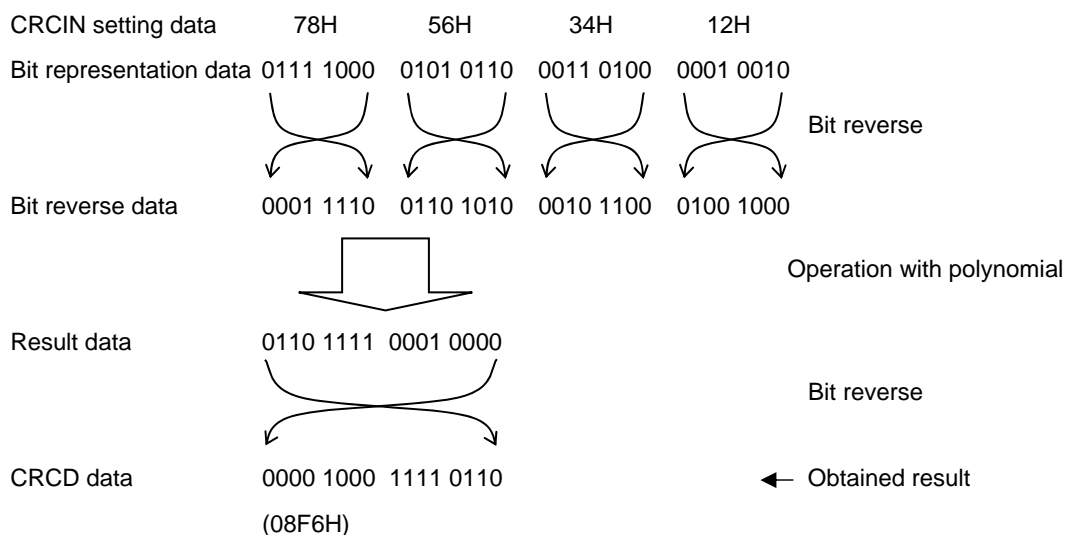
28.3.2 CRC operation function (general-purpose CRC)

In order to guarantee safety during operation, the IEC61508 standard mandates the checking of data even while the CPU is operating.

In the RL78/F15, a general CRC operation can be executed as a peripheral function while the CPU is operating. The general CRC can be used for checking various data in addition to the code flash memory area. The data to be checked can be specified by using software (a user-created program). In HALT mode, CRC operations can only proceed during DTC transfer.

The general CRC operation can be executed in the main system clock operation mode as well as the subsystem clock operation mode.

The CRC generator polynomial used is “ $X^{16} + X^{12} + X^5 + 1$ ” of CRC-16-CCITT. The data to be input is inverted in bit order and then calculated to allow for LSB-first communication. For example, if the data 12345678H is sent from the LSB, values are written to the CRCIN register in the order of 78H, 56H, 34H, and 12H, enabling a value of 08F6H to be obtained from the CRCD register. This is the result obtained by executing a CRC operation on the bit rows shown below, which consist of the data 12345678H inverted in bit order.



Caution Setting a software break in a target area of CRC operation alters the result of the CRC operation because the debugger changes the row where the software break is to be set into a break instruction during program execution.

<Control register>

(1) CRC input register (CRCIN)

CRCIN register is an 8-bit register that is used to set the CRC operation data of general-purpose CRC.
 The possible setting range is 00H to FFH.
 The CRCIN register can be set by an 8-bit memory manipulation instruction.
 Reset signal generation clears this register to 00H.

Figure 28-4. Format of CRC Input Register (CRCIN)

Address: FFFACH After reset: 00H R/W

Symbol	7	6	5	4	3	2	1	0
CRCIN								
CRCIN7 to CRCIN0		Setting the CRC operation data of general-purpose CRC						
00H to FFH		Data input when supporting CRC-CCITT						
00H to 0FH		Data input when conforming to SENT ^{Note}						

Note For CRCIN register write when conforming to SENT, write valid data to the lower 4 bits (bits 3 to 0) and write 0 to the other bits (if any value other than 0 is written to, the written value is read because the bits other than the lower 4 bits are not processed).

(2) CRC operation mode control register (CRCMD)

CRCMD register is used to select the general-purpose CRC operation mode.
 The CRCMD register can be set by an 8-bit memory manipulation instruction.

Figure 28-5. Format of CRC Operation Mode Control Register (CRCMD)

Address: F02F9H After reset: 00H R/W

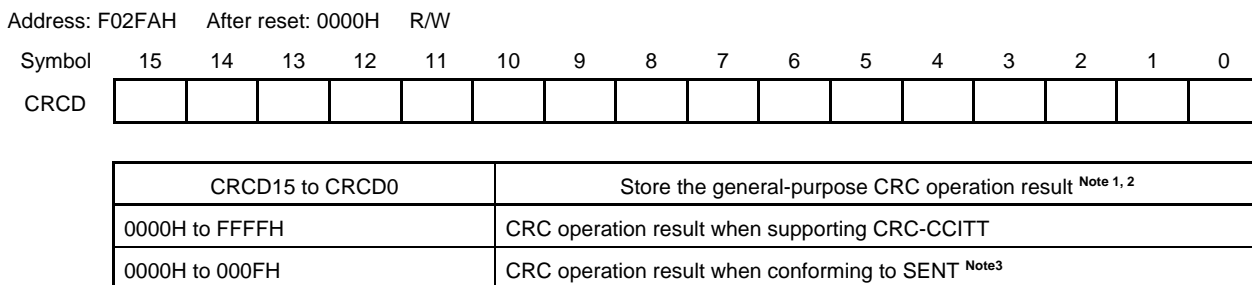
Symbol	7	6	5	4	3	2	1	0
CRCMD	-	-	-	-	-	-	-	POLYSEL
POLYSEL		CRC code generation circuit select bit						
0		CRC-CCITT ($X^{16} + X^{12} + X^5 + 1$)						
1		Conform to SENT ($X^4 + X^3 + X^2 + 1$)						

- Cautions**
1. To generate CRC code conforming to SENT, set the POLYSEL bit in the CRCMD register.
 2. Bits 7 to 1 are always read as 0. The write value should always be 0.

(3) CRC data register (CRCD)

This register is used to store the general-purpose CRC operation result.
 The possible setting range is 0000H to FFFFH.
 After 1 clock of CPU/peripheral hardware clock (f_{CLK}) has elapsed from the time CRCIN register is written, the CRC operation result is stored to the CRCD register.
 The CRCD register can be set by a 16-bit memory manipulation instruction.
 Reset signal generation clears this register to 0000H.

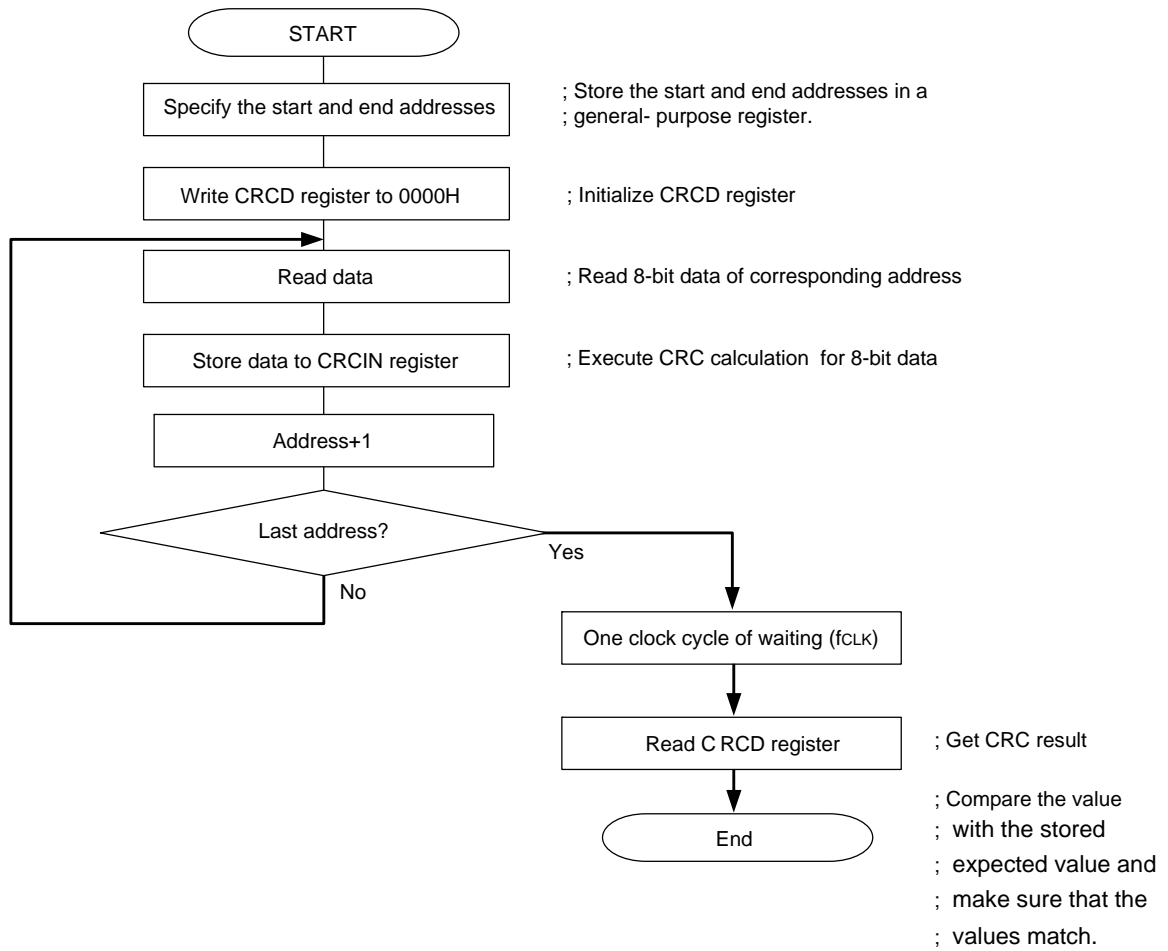
Figure 28-6. Format of CRC Data Register (CRCD)



- Notes**
1. Read the value written to CRCD register before writing to CRCIN register.
 2. If writing and storing operation result to CRCD register conflict, the writing is ignored.
 3. For CRCD register write when conforming to SENT, write valid data to the lower 4 bits (bits 3 to 0) and write 0 to the other bits.

<Operation flow>

Figure 28-7. CRC Operation Function (General-Purpose CRC)



28.3.3 RAM-ECC function

The RL78/F15 has the RAM-ECC function. This function is used to detect erroneous data (bit errors), generate interrupt requests, and retain the addresses of bit errors. If only one bit is in error, the data are corrected.

Caution The RAM-ECC function is disabled during on-chip debugging. Therefore, do not use the ECC test mode to check the on-chip debugging operation. Even if the ECC test mode is used, bit errors are not detected, error addresses are not stored, or an interrupt is not generated. In addition, even if the bit error is 1 bit, the data is not corrected.

<Control register>

Register Name	Description	Access Size
ERADR	Error address store register	16 bits
ECCIER	1-bit error detection interrupt enable register	8 bits
ECCER	Bit error detection register	8 bits
ECCTPR	ECC test protect register	8 bits
ECCTMDR	ECC test mode register	8 bits
ECCDWRVR	Write data inversion register	16 bits

(1) Error address store register (ERADR)**Figure 28-8. Format of Error Address Store Register (ERADR)**

Address: F0200H After reset: 00H R/W

Symbol	15	14	13	12	11	10	9	8	7	6	5	4	3	2	1	0
ERADR	ERAD															
	ERAD				Bit error address											
	0000H to FFFFH				Address when a bit error interrupt request is generated											

- Cautions**
1. Access the ERADR register in word units.
 2. The register value is updated each time a bit error interrupt request is generated.

(2) 1-bit error detection interrupt enable register (ECCIER)**Figure 28-9. Format of 1-bit Error Detection Interrupt Enable Register (ECCIER)**

Address: F0202H After reset: 00H R/W

Symbol	7	6	5	4	3	2	1	0
ECCIER	-	-	-	-	-	-	-	IEN
	IEN	1-bit error detection interrupt enable bit						
	0	Interrupt disabled						
	1	Interrupt enabled						

- Cautions**
1. Bits 1 to 7 of the ECCIER register are always read as 0. The write value should always be 0.
 2. INTRAM interrupt request occurs regardless of the value of ECCIER on two bits error.

(3) Bit error detection register (ECCER)

Figure 28-10. Format of Bit Error Detection Register (ECCER)

Address: F0203H After reset: 00H R/W

Symbol	7	6	5	4	3	2	1	0
ECCER	-	-	-	-	-	-	-	DBERR

DBERR	Bit error detection flag
0	A 1-bit error detected.
1	A 2-bit error detected.

- Cautions**
1. The DBERR bit is cleared to 0 by writing 0.
 2. If setting to 1 due to bit error detection and clearing to 0 by the CPU occur simultaneously, setting to 1 due to bit error detection has a priority.
 3. If a bit error detection interrupt request (INTRAM) is not generated, the DBERR value is invalid.

(4) ECC test protect register (ECCTPR)

This register is used to prevent accidentally changing the setting of the ECCTMDR register to trigger entry to the ECC test mode.

Writing a value other than 07H prevents changes to the value of the ECCTMDR register

Figure 28-11. Format of ECC Test Protect Register (ECCTPR)

Address: F0204H After reset: 00H R/W

Symbol	7	6	5	4	3	2	1	0
ECCTPR	-	-	-	-	-	TPR2	TPR1	TPR0

TPR2 to TPR0	ECC test protect bits
Other than 00000111	Access to the ECCTMDR register is disabled.
00000111	Access to the ECCTMDR register is enabled.

(5) ECC test mode register (ECCTMDR)

Figure 28-12. Format of ECC Test Mode Register (ECCTMDR)

Address: F0205H After reset: 00H R/W

Symbol	7	6	5	4	3	2	1	0
ECCTMDR	-	-	-	-	-	TMD2	TMD1	TMD0

TMD2 to TMD0	ECC test mode bits
000	Normal operating mode
001	ECC test mode
Other than above	Setting prohibited

- Cautions**
1. Set the ECCTPR register to "07H" before accessing the ECCTMDR register.
 2. Bits 3 to 7 of the ECCTMDR register are always read as 0. The write value should always be 0.

(6) Write data inversion register (ECCDWRVR)

This register is for use in confirming that the ECC is operating correctly by inverting both the parity bit of the write data and the ECC code.

Figure 28-13. Format of Write Data Inversion Register (ECCWRDR)

Address: F0206H After reset: 0000H R/W

Symbol	15	14	13	12	11	10	9	8
ECCWRVR	-	-	-	PRTYRV	ECCRV3	ECCRV2	ECCRV1	ECCRV0

Symbol	7	6	5	4	3	2	1	0
ECCWRVR	DWRV7	DWRV6	DWRV5	DWRV4	DWRV3	DWRV2	DWRV1	DWRV0

PRTYRV	Parity inversion bit
0	Parity bit not inverted.
1	Parity bit inverted.

ECCRV3	ECC code inversion bit 3
0	Bit 3 of ECC code not inverted.
1	Bit 3 of ECC code inverted.

ECCRV2	ECC code inversion bit 2
0	Bit 2 of ECC code not inverted.
1	Bit 2 of ECC code inverted.

ECCRV1	ECC code inversion bit 1
0	Bit 1 of ECC code not inverted.
1	Bit 1 of ECC code inverted.

ECCR0	ECC code inversion bit 0
0	Bit 0 of ECC code not inverted.
1	Bit 0 of ECC code inverted.

DWRV7	Write data inversion bit 7
0	Bit 7 of write data not inverted.
1	Bit 7 of write data inverted.

DWRV6	Write data inversion bit 6
0	Bit 6 of write data not inverted.
1	Bit 6 of write data inverted.

DWRV5	Write data inversion bit 5
0	Bit 5 of write data not inverted.
1	Bit 5 of write data inverted.

DWRV4	Write data inversion bit 4
0	Bit 4 of write data not inverted.
1	Bit 4 of write data inverted.

DWRV3	Write data inversion bit 3
0	Bit 3 of write data not inverted.
1	Bit 3 of write data inverted.

DWRV2	Write data inversion bit 2
0	Bit 2 of write data not inverted.
1	Bit 2 of write data inverted.

DWRV1	Write data inversion bit 1
0	Bit 1 of write data not inverted.
1	Bit 1 of write data inverted.

DWRV0	Write data inversion bit 0
0	Bit 0 of write data not inverted.
1	Bit 0 of write data inverted.

- Cautions**
1. Access the ECCDWRVR register in word units.
 2. Bits 13 to 15 of the ECCDWRVR register are always read as 0. The write value should always be 0.
 3. All data written to the RAM, including data written to the stack, is inverted. Therefore, all peripheral functions that might rewrite the RAM must be stopped before a write data inversion bit is set. Do not set a write data inversion bit during OCD.

<Bit error detection interrupt>

When a bit error is detected, an interrupt request signal (INTRAM) is generated, and the address of the bit error is held in the error address store register (ERADR). If the bit error is 2 bits, the bit error detection flag (DBERR) in the bit error detection register (ECCER) is set to 1.

The 1-bit error detection interrupt enable register (ECCIER) can be used to specify whether to output or not an interrupt request signal when the bit error is 1 bit.

Since the CPU of the RL78 pre-reads the instruction code, RAM fetch area + 10 bytes should be initialized to perform RAM fetch.

Even when a bit error is detected by reading instruction code, an interrupt request is not generated. Thus, the address that causes the bit error cannot be known.

<ECC test function>

The following two modes can be selected by the ECC test mode register (ECCTMDR).

- Normal operating mode
- Test mode (bit error correction function test)

The ECC test mode register should be accessed after the protection by the ECC test protect register (ECCTPR) is cancelled.

Inverting the bit may significantly affect operation of the stack. The bit must thus only be inverted at times such as power-on so that it has no effect on the application.

For data read from the RAM, the existence of a bit error is detected in the 8-bit read data, 4-bit ECC code, and 1-bit parity bit.

If a bit error exists, an interrupt request is output and the address of the bit error is stored in the register. If the bit error is 1 bit, the data is corrected.

(a) Normal operating mode

For data write, a 4-bit ECC code is generated using 8-bit write data, and a 1-bit parity bit is generated using the write data and the ECC code. The generated data is written to the RAM as 13-bit data.

For data read, the existence of a bit error is detected in the 8-bit read data, 4-bit ECC code, and 1-bit parity bit. If the bit error is 1 bit, the data is corrected and then read.

(b) Test mode (bit error correction function test)

For data write, an ECC code is generated using write data, and a parity bit is generated using the write data and the ECC code. A given bit value of the 13-bit write data is inverted by the write data inversion register (ECCDWRVR), and the data is written to the RAM.

For data read, the existence of a bit error is detected in the read data, ECC code, and parity bit. If the bit error is 1 bit, the data is corrected and then read.

28.3.4 CPU stack pointer monitor function

The CPU stack pointer monitor is used to detect overflows and underflows of the stack pointer and to generate interrupts in response.

Caution The CPU stack pointer monitor function is disabled during on-chip debugging.

<Configuration>

This function has the following functions.

- SP overflow/underflow detection function
- SP overflow/underflow interrupt output function

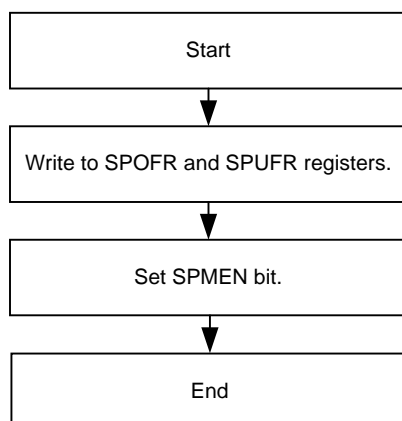
When the SPM enable bit (SPMEN) is 1, an interrupt signal (INTSPM) is generated if the monitored stack pointer value is greater than the specified SFR value (SPOFR) or smaller than the specified SFR value (SPUFR).

When the SPM enable bit (SPMEN) is 1, writing to the SPOFR and SPUFR registers is invalid.

<Register setting method>

Figure 28-14 shows the register setting method of this function.

Figure 28-14. Register Setting Flow



[Standard usage]

1. Write the initial value to the SPOFR and SPUFR registers.
2. Set the SPMEN bit in the SPMCTRL register.

<Control register>

Register Name	Description	Access Size
SPMCTRL	SPM control register	8 bits
SPOFR	SP overflow address setting register	16 bits
SPUFR	SP underflow address setting register	16 bits

- Remarks**
1. If the overflow or underflow state is retained, another overflow or underflow will not be detected. After an overflow or underflow was detected, reset the stack pointer to a value within the range of monitoring.
 2. If an overflow or underflow interrupt request is received, the value obtained by subtracting 4 from the current value of the stack pointer is always used for saving the interrupt.

(1) SPM control register (SPMCTRL)

Figure 28-15. Format of SPM Control Register (SPMCTRL)

Address: F00D8H After reset: 00H R/W

Symbol	7	6	5	4	3	2	1	0
SPMCTRL	SPMEN	-	-	-	-	-	-	-

SPMEN	Stack pointer monitor SFR write enable/disable
0	Stack pointer monitoring disabled.
1	Stack pointer monitoring enabled.

Caution Writing 1 to the SPMEN bit is only valid, and writing 0 after setting SPMEN to 1 is invalid.

(2) SP overflow address setting register (SPOFR)

Figure 28-16. Format of SP Overflow Address Setting Register (SPOFR)

Address: F00DAH After reset: FFFE H R/W

Symbol	15	14	13	12	11	10	9	8	7	6	5	4	3	2	1	0
SPOFR	-	-	-	-	-	-	-	-	-	-	-	-	-	-	-	-

-	Stack pointer overflow address setting
0	Stack pointer overflow address
1	

- Cautions**
1. The lowest bit is fixed to 0.
 2. If the values of bits 15 to 1 in stack pointer are greater than the specified values of bits 15 to 1 in SPOFR, an interrupt signal (INTSPM) is generated.
Stack pointer > SPOFR: INTSPM interrupt signal is generated.
 3. When SP MEN = 1, writing to SPOFR is invalid.

(3) SP underflow address setting register (SPUFR)

Figure 28-17. Format of SP Underflow Address Setting Register (SPUFR)

Address: F00DCH After reset: 0000 H R/W

Symbol	15	14	13	12	11	10	9	8	7	6	5	4	3	2	1	0
SPUFR	-	-	-	-	-	-	-	-	-	-	-	-	-	-	-	-

-	Stack pointer underflow address setting
0	Stack pointer underflow address
1	

- Cautions**
1. The lowest bit is fixed to 0.
 2. If the values of bits 15 to 1 in stack pointer are smaller than the specified values of bits 15 to 1 in SPUFR, an interrupt signal (INTSPM) is generated.
Stack pointer < SPUFR: INTSPM interrupt signal is generated.
 3. When SP MEN = 1, writing to SPUFR is invalid.

28.3.5 Clock monitor

The clock monitor samples the main system clock (f_{MAIN}) and main system/PLL select clock (f_{MP}) by using the low-speed on-chip oscillator. When oscillation of the main system clock stops, a reset request signal (RESCLM) is generated. When the main system/PLL select clock (f_{MP}) stops, the clock through mode is forcibly selected and SELPLLS is cleared (but SELPLL is not).

At the same time, an interrupt request signal (INTCLM) is generated.

(1) Configuration

Figure 28-18 shows a block diagram of the clock monitor.

Figure 28-18. Block Diagram of Clock Monitor

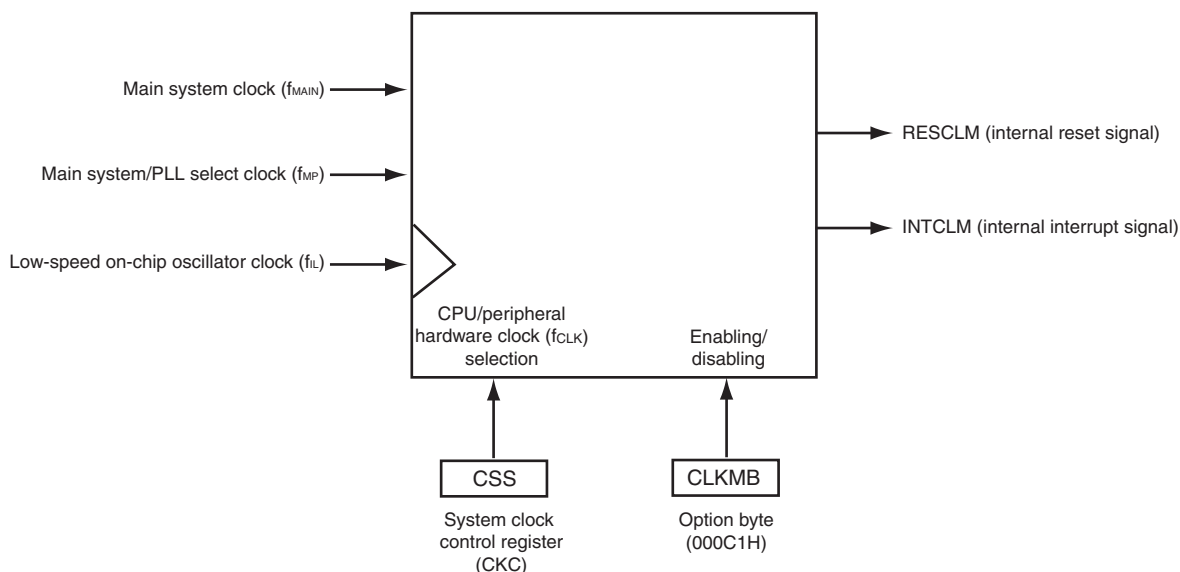


Table 28-1. Operating State of Clock Monitor

Operating State of Clock Monitor		State of Clock Monitor
$f_{CLK} = f_{SUB}$ OR f_{IL}		Stopped
$f_{CLK} = f_{MP}/2^N$	STOP mode	Stopped
	SNOOZE mode	Stopped
	Oscillation stabilization time after setting of the MCM0 bit	Stopped
	CLKMB = 1	Stopped
	CLKMB = 0	Operating

(2) Starting and stopping of operation

Bit 4 (CLKMB) of the option byte (000C1H) should be set to 0 to enable operation of the clock monitor.

After the oscillation of the low-speed on-chip oscillator is set, the clock monitor starts operation.

The clock monitor automatically stops operating under the following conditions.

- In STOP mode
- In SNOOZE mode
- During counting of the oscillation stabilization time after STOP mode was released
- When the CPU/peripheral hardware clock frequency (f_{CLK}) is equal to the subsystem clock (f_{SUB}) or low-speed on-chip oscillator clock (f_{IL})
- When the sampling clock is stopped (low-speed on-chip oscillator is stopped)
- When bit 4 (CLKMB) of the option byte (000C1H) is 1

(3) Cautions for use

When entering the STOP mode by stopping the PLL clock during the operation of the clock monitor, set bit 0 (PLLON) in the PLL control register (PLLCTL) before executing the STOP instruction.

28.3.6 RAM guard function

This RAM guard function is used to protect data in the specified memory space.

If the RAM guard function is specified, writing to the specified RAM space is disabled, but reading from the space can be carried out as usual. The area used as the stack must not be a target of the RAM guard function.

<Control register>

(1) Invalid memory access detection control register (IAWCTL)

This register is used to control the detection of invalid memory access and RAM/SFR guard function.

GRAM1 and GRAM0 bits are used in RAM guard function.

The IAWCTL register can be set by an 8-bit memory manipulation instruction.

Reset signal generation clears this register to 00H.

Figure 28-19. Format of Invalid Memory Access Detection Control Register (IAWCTL)

Address: F0078H After reset: 00H R/W

Symbol	7	6	5	4	3	2	1	0
IAWCTL	IAWEN	0	GRAM1	GRAM0	0	GPORT	GINT	GCSC

GRAM1	GRAM0	RAM guard space ^{Note}
0	0	Disabled. RAM can be written to.
0	1	The 128 bytes starting at the lower RAM address
1	0	The 256 bytes starting at the lower RAM address
1	1	The 512 bytes starting at the lower RAM address

Note Do not set the RAM guard space to an area exceeding the size of the RAM of the product.

28.3.7 SFR guard function

This SFR guard function is used to protect data in the control registers used by the port function, interrupt function, clock control function, and voltage detector.

If the SFR guard function is specified, writing to the specified SFRs is disabled, but reading from the SFRs can be carried out as usual.

<Control register>

(1) Invalid memory access detection control register (IAWCTL)

This register is used to control the detection of invalid memory access and RAM/SFR guard function.

GPORT, GINT and GCSC bits are used in SFR guard function.

The IAWCTL register can be set by an 8-bit memory manipulation instruction.

Reset signal generation clears this register to 00H.

Figure 28-20. Format of Invalid Memory Access Detection Control Register (IAWCTL)

Address: F0078H After reset: 00H R/W

Symbol	7	6	5	4	3	2	1	0
IAWCTL	IAWEN	0	GRAM1	GRAM0	0	GPORT	GINT	GCSC

GPORT	Control registers of port function guard
0	Disabled. Control registers of port function can be read or written to.
1	Enabled. Writing to control registers of port function is disabled. Reading is enabled. [Guarded SFR] PMxx, PUxx, PIMxx, POMxx, PMCxx, PITHLxx, ADPC, PIOR ^{Note}

GINT	Registers of interrupt function guard
0	Disabled. Registers of interrupt function can be read or written to.
1	Enabled. Writing to registers of interrupt function is disabled. Reading is enabled. [Guarded SFR] IFxx, MKxx, PRxx, EGPx, EGNx

GCSC	Control registers of clock control function and voltage detector guard
0	Disabled. Control registers of clock control function and voltage detector can be read or written to.
1	Enabled. Writing to control registers of clock control function and voltage detector is disabled. Reading is enabled. [Guarded SFR] CMC, CSC, OSTs, CKC, PERx, OSMC, LVIM, LVIS, CANCKSEL, LINCKSEL, CKSEL, PLLCTL, MDIV, RTCCL, POCRES, STPSTC

Note Pxx (Port register) is not guarded.

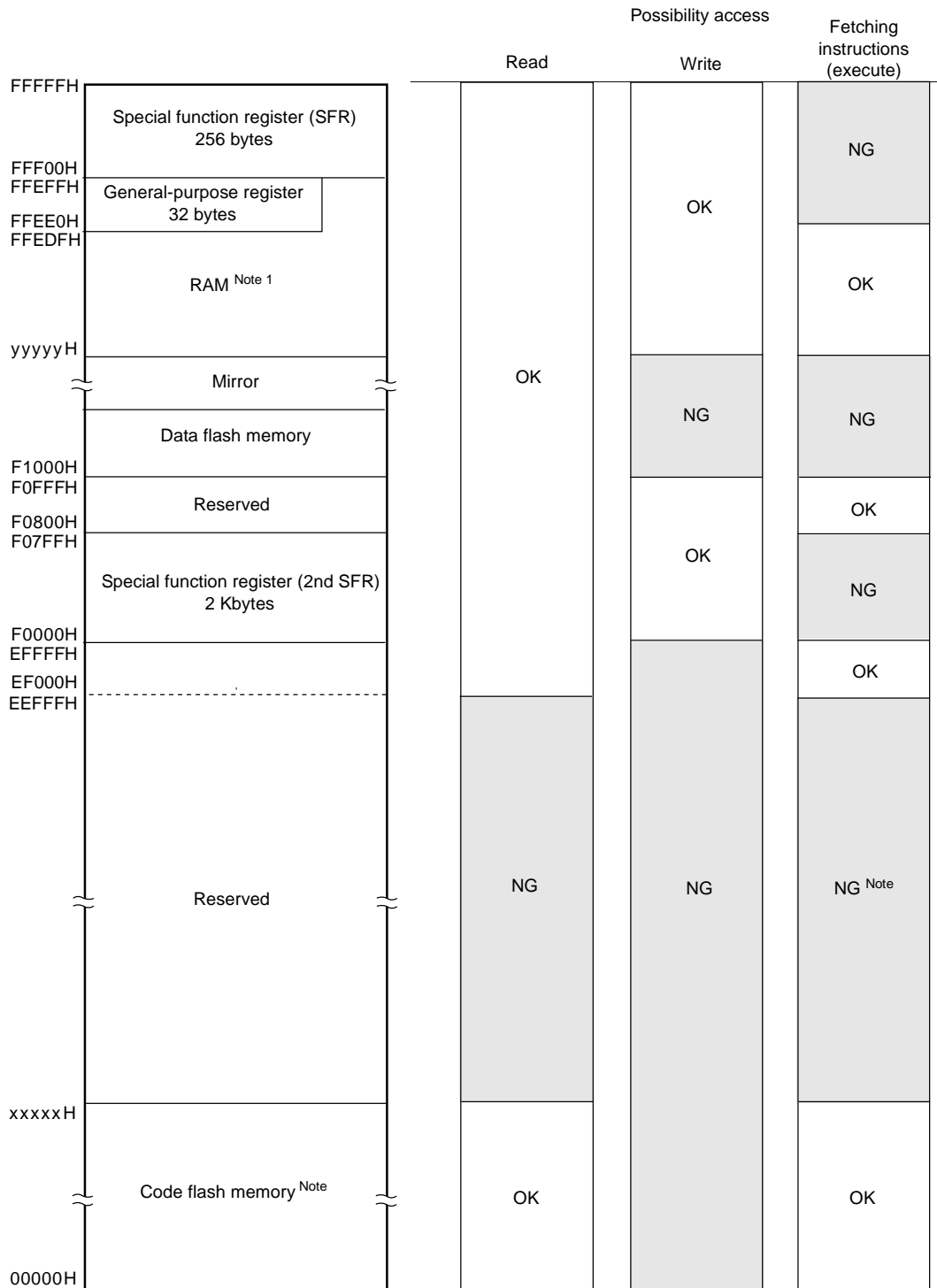
28.3.8 Invalid memory access detection function

The IEC60730 standard mandates checking that the CPU and interrupts are operating correctly.

The illegal memory access detection function triggers a reset if a memory space specified as access-prohibited is accessed.

The illegal memory access detection function applies to the areas indicated by NG in Figure 28-21.

Figure 28-21. Invalid access detection area



(Note are listed on the next page.)

Note Code flash memory and RAM address of each product are as follows.

ROM size	Code flash memory (00000H to xxxxxH)	RAM size	RAM (yyyyyH to FFEFFH)
128 Kbytes	131072 × 8 bits (00000H to 1FFFFH)	10 Kbytes	10240 × 8 bits (FD700H to FFEFFH)
192 Kbytes	196608 × 8 bits (00000H to 2FFFFH)	16 Kbytes	16384 × 8 bits (F0F00H to FFEFFH)
256 Kbytes	262144 × 8 bits (00000H to 3FFFFH)	20 Kbytes	20480 × 8 bits (F4F00H to FFEFFH)
384 Kbytes	393216 × 8 bits (00000H to 47FFFH)	26 Kbytes	26624 × 8 bits (F8500H to FFEFFH)
512 Kbytes	524288 × 8 bits (00000H to 7FFFFH)	32 Kbytes	32768 × 8 bits (F7F00H to FFEFFH)

<Control register>

- **Invalid memory access detection control register (IAWCTL)**

This register is used to control the detection of invalid memory access and RAM/SFR guard function.

IAWEN bit is used in invalid memory access detection function.

The IAWCTL register can be set by an 8-bit memory manipulation instruction.

Reset signal generation clears this register to 00H.

Figure 28-22. Format of Invalid Memory Access Detection Control Register (IAWCTL)

Address: F0078H After reset: 00H R/W

Symbol	7	6	5	4	3	2	1	0
IAWCTL	IAWEN	0	GRAM1	GRAM0	0	GPORT	GINT	GCSC

IAWEN ^{Note}	Control of invalid memory access detection
0	Disable the detection of invalid memory access.
1	Enable the detection of invalid memory access.

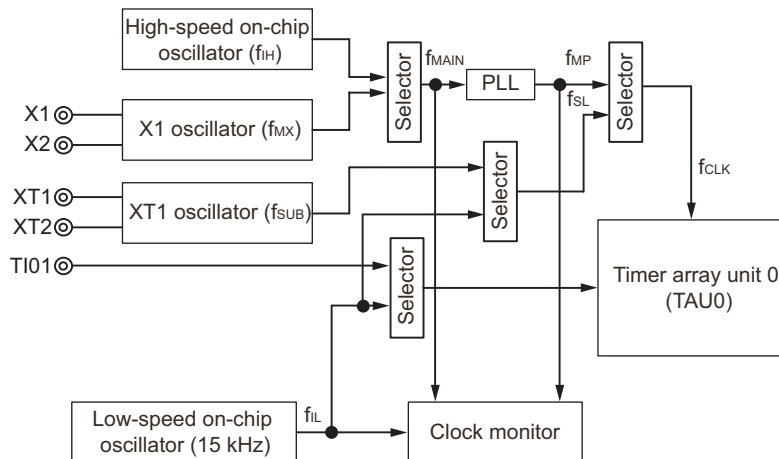
Remark By specifying WDTON = 1 for the option byte, the invalid memory access function is always enabled regardless of the setting for the IAWEN bit. (For details, see **CHAPTER 30 OPTION BYTE**.)

Note Only writing 1 to the IAWEN bit is valid, and writing 0 after setting the IAWEN bit to 1 is invalid.

28.3.9 Frequency detection function

The frequency detection function can detect whether the clock is operating on an abnormal frequency by comparing the high-speed on-chip oscillator clock, external X1 oscillation clock, or PLL clock with the low-speed on-chip oscillator clock (15 kHz).

Figure 28-23. Configuration of Frequency Detection Function



<Operational overview>

Whether the clock frequency is correct or not can be judged by measuring the pulse width under the following conditions:

- The high-speed on-chip oscillator clock (f_{IH}), external X1 oscillation clock (f_{MX}), or PLL clock (f_{PLL}) is selected as the CPU/peripheral hardware clock (f_{CLK}).
- The low-speed on-chip oscillator clock (f_{IL} : 15 kHz) is selected as the timer input for channel 1 of timer array unit 0 (TAU0).

If pulse width measurement results in an abnormal value, it can be concluded that the clock frequency is abnormal.

For how to execute pulse width measurement, see **6.7.4 Operation as input pulse interval measurement**.

<Control register>

• **Timer input select register 0 (TIS0)**

This register is used to select the timer input of channel 1.

By selecting the low-speed on-chip oscillator clock for the timer input, its pulse width can be measured to determine whether the proportional relationship between the low-speed on-chip oscillator clock and the timer operation clock is correct.

The TIS0 register can be set by an 8-bit memory manipulation instruction.

Reset signal generation clears this register to 00H.

Figure 28-24. Format of Timer Input Select Register 0 (TIS0)

Address: F0074H After reset: 00H R/W

Symbol	7	6	5	4	3	2	1	0
TIS0	TIS07	TIS06	0	TIS04	0	TIS02	TIS01	TIS00

TIS07	Selection of timer input used with channel 3 of timer array unit 0
0	Input signal of timer input pin (TI03)
1	Event input signal from ELC

TIS06	Selection of timer input used with channel 2 of timer array unit 0
0	Input signal of timer input pin (TI02)
1	Event input signal from ELC

TIS04	Selection of timer input used with channel 0 of timer array unit 0
0	Input signal of timer input pin (TI00)
1	Event input signal from ELC

TIS02	TIS01	TIS00	Selection of timer input used with channel 1 of timer array unit 0
0	0	0	Input signal of timer input pin (TI01)
0	0	1	Event input signal from ELC
0	1	0	Input signal of timer input pin (TI01)
0	1	1	
1	0	0	Low-speed on-chip oscillator clock (f _{IL})
1	0	1	Sub/low-speed on-chip oscillator select clock (f _{SL})
Other than above			Setting prohibited

- Cautions**
1. When selecting an event input signal from the ELC using timer input select register 0 (TIS0), select f_{CLK} using timer clock select register 0 (TPS0).
 2. Do not change the select bit of the timer input while inputting data to the TIMn pin (m = 0 to 2; n = 0 to 7).
 3. Each of the high-level and low-level widths of the timer input to be selected should be (1/f_{MCK} + 10 ns) or more. So, the TIS02 bit cannot be set to 1 when f_{SL} is selected as f_{CLK} (the CSS bit in the CKC register is set to 1).

28.3.10 A/D test function

The A/D test function is used to check whether the A/D converter is operating normally by executing A/D conversions of an internal voltage of 0 V, the AVREF voltage, and the internal reference voltage (1.45 V).

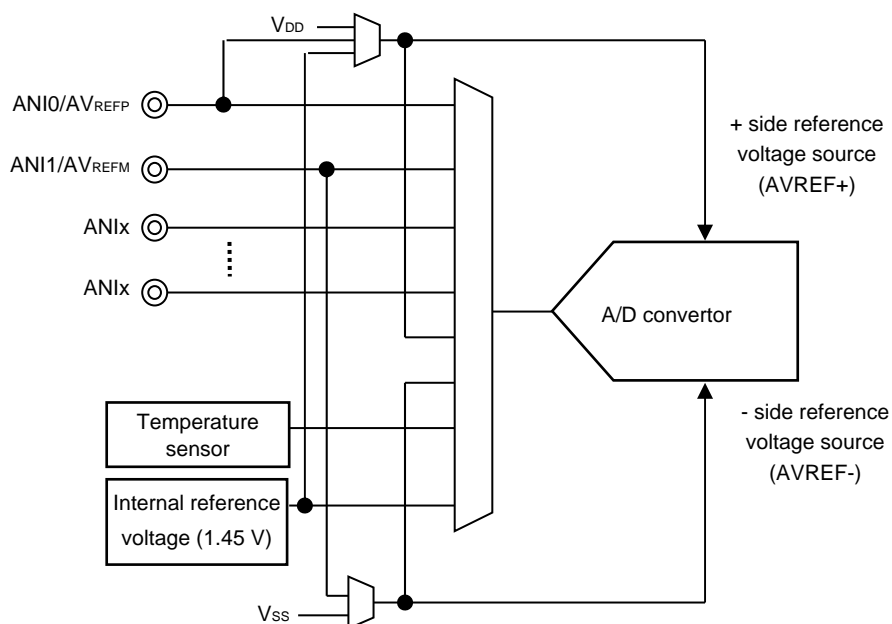
The below procedure can be used to confirm selection of the analog multiplexer and that wiring is not disconnected.

- <1> Perform A/D conversion of the voltage on the ANIx pin (result of conversion 1).
- <2> Select AVREFM with the ADTES register, perform A/D conversion, and set the potential difference between the two terminals of the sampling capacitor of the A/D converter to 0 V.
- <3> Perform A/D conversion of the voltage on the ANIx pin (result of conversion 2).
- <4> Select AVREFP with the ADTES register, perform A/D conversion, and set the potential difference between the two terminals of the sampling capacitor of the A/D converter to AVREF.
- <5> Perform A/D conversion of the voltage on the ANIx pin (result of conversion 3).
- <6> Confirm that result of conversion 1 = result of conversion 2 = result of conversion 3.

The above procedure can be used to confirm selection of the analog multiplexer and that wiring is not disconnected.

- Remarks 1.** When the analog input voltage varies during conversion in steps <1> to <5>, use a different method to check the analog multiplexer.
- 2.** The result of conversion will include error. Therefore, take the error into consideration when comparing the results of conversion.

Figure 28-25. Configuration of A/D Test Function



<Control register>**(1) A/D test register (ADTES)**

This register is used to select the A/D converter's positive reference voltage AV_{REFP} , the A/D converter's negative reference voltage AV_{REFM} , or the analog input channel (ANlxx) as the target of A/D conversion.

When using the A/D test function, specify the following settings:

- Select AV_{REFM} as the target of A/D conversion when converting the internal 0 V.
- Select AV_{REFP} as the target of A/D conversion when converting AV_{REF} .

The ADTES register can be set by an 8-bit memory manipulation instruction.

Reset signal generation clears this register to 00H.

Figure 28-26. Format of A/D Test Register (ADTES)

Address: F0013H After reset: 00H R/W

Symbol	7	6	5	4	3	2	1	0
ADTES	0	0	0	0	0	0	ADTES1	ADTES0

ADTES1	ADTES0	A/D conversion target
0	0	ANlxx/temperature sensor output/ internal reference voltage output (1.45 V) (This is specified using the analog input channel specification register (ADS).)
1	0	AV_{REFM}
1	1	AV_{REFP}
Other than the above		Setting prohibited

(2) Analog input channel specification register (ADS)

This register specifies the input channel of the analog voltage to be A/D converted.

The ADS register can be set by a 1-bit or 8-bit memory manipulation instruction.

Reset signal generation clears this register to 00H.

Figure 28-27. Format of Analog Input Channel Specification Register (ADS) (1/2)

Address: FFF31H After reset: 00H R/W

Symbol	7	6	5	4	3	2	1	0
ADS	ADISS	0	0	ADS4	ADS3	ADS2	ADS1	ADS0

○ Select mode (ADMD = 0)

ADISS	ADS4	ADS3	ADS2	ADS1	ADS0	Analog input channel	Input source
0	0	0	0	0	0	ANI0	P33/AV _{REFP} /ANI0
0	0	0	0	0	1	ANI1	P34/AV _{REFM} /ANI1
0	0	0	0	1	0	ANI2	P80/ANI2/ANO0
0	0	0	0	1	1	ANI3	P81/ANI3/IVCMP00
0	0	0	1	0	0	ANI4	P82/ANI4/IVCMP01
0	0	0	1	0	1	ANI5	P83/ANI5/IVCMP02
0	0	0	1	1	0	ANI6	P84/ANI6/IVCMP03
0	0	0	1	1	1	ANI7	P85/ANI7/IVREF0
0	0	1	0	0	0	ANI8	P86/ANI8
0	0	1	0	0	1	ANI9	P87/ANI9
0	0	1	0	1	0	ANI10	P90/ANI10
0	0	1	0	1	1	ANI11	P91/ANI11
0	0	1	1	0	0	ANI12	P92/ANI12
0	0	1	1	0	1	ANI13	P93/ANI13
0	0	1	1	1	0	ANI14	P94/ANI14
0	0	1	1	1	1	ANI15	P95/ANI15
0	1	0	0	0	0	ANI16	P96/ANI16
0	1	0	0	0	1	ANI17	P97/ANI17
0	1	0	0	1	0	ANI18	P100/ANI18
0	1	0	0	1	1	ANI19	P101/ANI19
0	1	0	1	0	0	ANI20	P102/ANI20
0	1	0	1	0	1	ANI21	P103/ANI21
0	1	0	1	1	0	ANI22	P104/ANI22
0	1	0	1	1	1	ANI23	P105/ANI23
0	1	1	0	0	0	ANI24	P125/ANI24
0	1	1	0	0	1	ANI25	P120/ANI25
0	1	1	0	1	0	ANI26	P70/ANI26
0	1	1	0	1	1	ANI27	P71/ANI27
0	1	1	1	0	0	ANI28	P72/ANI28
0	1	1	1	0	1	ANI29	P73/ANI29
0	1	1	1	1	0	ANI30	P74/ANI30
1	1	1	1	1	1	Setting prohibited	
1	0	0	0	0	0	–	Temperature sensor output
1	0	0	0	0	1	–	Internal reference voltage output (1.45 V)

Figure 28-27. Format of Analog Input Channel Specification Register (ADS) (2/2)

Address: FFF31H After reset: 00H R/W

Symbol	7	6	5	4	3	2	1	0
ADS	ADISS	0	0	ADS4	ADS3	ADS2	ADS1	ADS0

○ Scan mode (ADMD = 1)

ADISS	ADS4	ADS3	ADS2	ADS1	ADS0	Analog input channel			
						Scan 0	Scan 1	Scan 2	Scan 3
0	0	0	0	0	0	ANI0	ANI1	ANI2	ANI3
0	0	0	0	0	1	ANI1	ANI2	ANI3	ANI4
0	0	0	0	1	0	ANI2	ANI3	ANI4	ANI5
0	0	0	0	1	1	ANI3	ANI4	ANI5	ANI6
0	0	0	1	0	0	ANI4	ANI5	ANI6	ANI7
0	0	0	1	0	1	ANI5	ANI6	ANI7	ANI8
0	0	0	1	1	0	ANI6	ANI7	ANI8	ANI9
0	0	0	1	1	1	ANI7	ANI8	ANI9	ANI10
0	0	1	0	0	0	ANI8	ANI9	ANI10	ANI11
0	0	1	0	0	1	ANI9	ANI10	ANI11	ANI12
0	0	1	0	1	0	ANI10	ANI11	ANI12	ANI13
0	0	1	0	1	1	ANI11	ANI12	ANI13	ANI14
0	0	1	1	0	0	ANI12	ANI13	ANI14	ANI15
0	1	0	0	0	0	ANI16	ANI17	ANI18	ANI19
0	1	0	0	0	1	ANI17	ANI18	ANI19	ANI20
0	1	0	0	1	0	ANI18	ANI19	ANI20	ANI21
0	1	0	0	1	1	ANI19	ANI20	ANI21	ANI22
0	1	0	1	0	0	ANI20	ANI21	ANI22	ANI23
Other than the above						Setting prohibited			

- Cautions**
1. Be sure to clear bits 5 and 6 to 0.
 2. In port mode registers 3, 7 to 10, and 12 (PM3, PM7 to PM10, PM12), set the ADPC and PMCxx registers to the input mode for pins to be set as analog inputs.
 3. In the ADS register, do not select a pin which is set as a digital I/O pin in the A/D port configuration register (ADPC).
 4. In the ADS register, do not select a pin which is set as a digital I/O pin in the port mode control register 7, 12 (PMC7, PMC12)
 5. Only rewrite the value of the ADISS bit while A/D voltage comparator operation is stopped (which is indicated by the ADCE bit of A/D converter mode register 0 (ADM0) being 0).
 6. If using AV_{REFP} as the + side reference voltage source of the A/D converter, do not select ANI0 as an A/D conversion channel.
 7. If using AV_{REFM} as the - side reference voltage source of the A/D converter, do not select ANI1 as an A/D conversion channel.
 8. If ADISS is set to 1, the internal reference voltage (1.45 V) cannot be used for the + side reference voltage source.
 9. When the CPU enters the STOP mode or HALT mode while being driven by the subsystem/low-speed on-chip oscillator select clock, do not set the ADISS bit to 1. Setting ADISS to 1 increases the value given in 35.3.2 Supply Current Characteristics or 36.3.2 Supply Current Characteristics.
 10. Ignore the result of conversion if the corresponding ANI pin is not present.

28.3.11 Digital output signal level detection function for I/O ports

By using the digital output signal level detection function for I/O ports, the digital output level of the pin can be read when the port is set to output mode (the PMm bit in the port mode register (PMm) is 0).

This function allows the output level of the pin to be read even when the PMn (I/O mode) bit is set to output mode. As a result, the CPU can determine the current output level is a high or low level. For details on the registers to control this function, see **CHAPTER 4 PORT FUNCTIONS**.

<Control register>

(1) Port mode select register (PMS)

This register is used to select the output level from output latch level or pin output level when the port is output mode in which PMm bit of port mode register (PMm) is 0.

This register can be set by a 1-bit or 8-bit memory manipulation instruction.

Reset signal generation clears these registers to 00H.

Figure 28-28. Format of Port Mode Select Register (PMS)

Address: F0077H After reset: 00H R/W

Symbol	7	6	5	4	3	2	1	0
PMS	0	0	0	0	0	0	0	PMS0

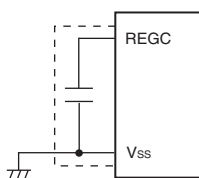
PMS0	Method for selecting output level to be read when port is output mode (PMm = 0)
0	Pmn register value is read.
1	Output level of the pin is read.

Remark m = 0 to 16
n = 0 to 7

CHAPTER 29 REGULATOR

29.1 Regulator Overview

The RL78/F15 contains a circuit for operating the device with a constant voltage. At this time, in order to stabilize the regulator output voltage, connect the REGC pin to V_{SS} via a capacitor (0.47 to 1 μF). Also, use a capacitor with good characteristics, since it is used to stabilize internal voltage.



Caution Keep the wiring length as short as possible for the broken-line part in the above figure.

For the regulator output voltage, see **Table 29-1**.

Table 29-1. Regulator Output Voltage Conditions

Mode	Output Voltage	Condition
High-speed main mode	1.86 V	In STOP mode
		When the high-speed system clock (f _{MX}), the high-speed on-chip oscillator clock (f _{IH}), and PLL clock (f _{PLL}) are stopped during CPU operation with the subsystem/low-speed on-chip oscillator clock select clock (f _{SL})
	When the high-speed system clock (f _{MX}), the high-speed on-chip oscillator clock (f _{IH}), and PLL clock (f _{PLL}) are stopped during the HALT mode when the CPU operation with the subsystem/low-speed on-chip oscillator clock select clock (f _{SL}) has been set	
	2.1 V	Other than above (include during OCD mode) Note

Note When it shifts to the subsystem/low-speed on-chip oscillator clock select clock operation or STOP mode during the on-chip debugging, the regulator output voltage is kept at 2.1 V (not decline to 1.86 V).

CHAPTER 30 OPTION BYTE

30.1 Functions of Option Bytes

Addresses 000C0H to 000C3H of the flash memory of the RL78/F15 form an option byte area.

Option bytes consist of user option byte (000C0H to 000C2H) and on-chip debug option byte (000C3H).

Upon power application or resetting and starting, an option byte is automatically referenced and a specified function is set. When using the product, be sure to set the following functions by using the option bytes.

To use the boot swap operation during self programming, 000C0H to 000C3H are replaced by 020C0H to 020C3H. Therefore, set the same values as 000C0H to 000C3H to 020C0H to 020C3H.

30.1.1 User option byte (000C0H to 000C2H/020C0H to 020C2H)

(1) 000C0H/020C0H

- Operation of watchdog timer
 - Operation is stopped or enabled in the HALT, STOP, or SNOOZE mode.
- Setting of interval time of watchdog timer
- Operation of watchdog timer
 - Operation is stopped or enabled.
- Setting of window open period of watchdog timer
- Setting of interval interrupt of watchdog timer
 - Used or not used

Caution Set the same value as 000C0H to 020C0H when the boot swap operation is used because 000C0H is replaced by 020C0H.

(2) 000C1H/020C1H

- Setting of LVD operation mode
 - Interrupt & reset mode
 - Reset mode
 - Interrupt mode
- Setting of LVD detection level (V_{LVDH} , V_{LVDL} , V_{LVD})
- Operation of clock monitor
 - Operation is stopped or enabled.

Caution Set the same value as 000C1H to 020C1H when the boot swap operation is used because 000C1H is replaced by 020C1H.

(3) 000C2H/020C2H

- Setting of RESOUTB output function
- Setting of the frequency of the high-speed on-chip oscillator
 - Select from 1 MHz, 4 MHz, 8 MHz, 12 MHz, 16 MHz, 24 MHz, 32 MHz, 48 MHz, and 64 MHz.

Caution Set the same value as 000C2H to 020C2H when the boot swap operation is used because 000C2H is replaced by 020C2H.

30.1.2 On-chip debug option byte (000C3H/ 020C3H)

- Control of on-chip debug operation
 - On-chip debug operation is disabled or enabled.
- Control of hot plug-in
 - Hot plug-in operation is disabled or enabled.
- Handling of data of flash memory in case of failure in on-chip debug security ID authentication
 - Data of flash memory is erased or not erased in case of failure in on-chip debug security ID authentication.

Caution Set the same value as 000C3H to 020C3H when the boot swap operation is used because 000C3H is replaced by 020C3H.

30.2 Format of User Option Byte

The format of user option byte is shown below.

Figure 30-1. Format of User Option Byte (000C0H/020C0H)

Address: 000C0H/020C0H^{Note 1} After reset: — (user setting value ^{Note 2})

7	6	5	4	3	2	1	0
WDTINT	WINDOW1	WINDOW0	WDTON	WDCS2	WDCS1	WDCS0	WDSTBYON
WDTINT	Use of interval interrupt of watchdog timer						
0	Interval interrupt is not used.						
1	Interval interrupt is generated when 75% + 1/2 fWDT of the overflow time is reached.						
WINDOW1	WINDOW0	Watchdog timer window open period ^{Note 3}					
0	0	Setting prohibited					
0	1	50%					
1	0	75%					
1	1	100%					
WDTON	Operation control of watchdog timer counter						
0	Counter operation disabled (counting stopped after reset)						
1	Counter operation enabled (counting started after reset)						
WDCS2	WDCS1	WDCS0	Watchdog timer overflow time (fWDT = 17.25 kHz (MAX.))				
0	0	0	$2^6/f_{WDT}$ (3.71 ms)				
0	0	1	$2^7/f_{WDT}$ (7.42 ms)				
0	1	0	$2^8/f_{WDT}$ (14.84 ms)				
0	1	1	$2^9/f_{WDT}$ (29.68 ms)				
1	0	0	$2^{11}/f_{WDT}$ (118.72 ms)				
1	0	1	$2^{13}/f_{WDT}$ (474.90 ms)				
1	1	0	$2^{14}/f_{WDT}$ (949.80 ms)				
1	1	1	$2^{16}/f_{WDT}$ (3799.19 ms)				
WDSTBYON	Operation control of watchdog timer counter (HALT/STOP/SNOOZE mode)						
0	Counter operation stopped in HALT/STOP/SNOOZE mode ^{Note 3}						
1	Counter operation enabled in HALT/STOP/SNOOZE mode						

- Notes**
1. Set the same value as 000C0H to 020C0H when the boot swap operation is used because 000C0H is replaced by 020C0H.
 2. The setting at shipment of the user option byte is FFH.
 3. The window open period is 100% when WDSTBYON = 0, regardless the value of the WINDOW1 and WINDOW0 bits.

Caution The watchdog timer continues its operation during EEPROM emulation. During processing, the interrupt acknowledge time is delayed. Set the overflow time and window open period taking this delay into consideration.

- Remarks**
1. fWDT: Low-speed on-chip oscillator clock frequency
 2. By specifying WDTON = 1, the invalid memory access detection function is always enabled regardless of the setting for the IAWEN bit. (For details, see **28.3.8 Invalid memory access detection function.**)

Figure 30-2. Format of User Option Byte (000C1H/020C1H) (1/2)

Address: 000C1H/020C1H^{Note 1} After reset: — (user setting value ^{Note 2})

	7	6	5	4	3	2	1	0
	VPOC2	VPOC1	VPOC0	CLKMB	LVIS1	LVIS0	LVIMDS1	LVIMDS0

• LVD setting (interrupt & reset mode)

Detection voltage			Option byte Setting Value							
VLVDH		VLVDL	VPOC2	VPOC1	VPOC0	CLKMB	LVIS1	LVIS0	LVIMDS1	LVIMDS0
Rising edge	Falling edge	Falling edge								
4.42 V	4.32 V	2.75 V	0	0	1	× ^{Note 3}	0	0	1	0
4.62 V	4.52 V	2.75 V	0	1	0	× ^{Note 3}	0	0		
3.22 V	3.15 V	2.75 V	0	1	1	× ^{Note 3}	0	1		
4.74 V	4.64 V					× ^{Note 3}	0	0		
Other than above			Setting prohibited							

• LVD setting (reset mode)

Detection voltage		Option byte Setting Value								
VLVD		VPOC2	VPOC1	VPOC0	CLKMB	LVIS1	LVIS0	LVIMDS1	LVIMDS0	
Rising edge	Falling edge									
2.81 V	2.75 V	0	1	1	× ^{Note 3}	1	1	1	1	
3.02 V	2.96 V	0	0	0	× ^{Note 3}	0	1			
3.22 V	3.15 V	0	1	1	× ^{Note 3}	0	1			
4.42 V	4.32 V	0	0	1	× ^{Note 3}	0	0			
4.62 V	4.52 V	0	1	0	× ^{Note 3}	0	0			
4.74 V	4.64 V	0	1	1	× ^{Note 3}	0	0			
Other than above		Setting prohibited								

- Notes**
1. Set the same value as 000C1H to 020C1H when the boot swap operation is used because 000C1H is replaced by 020C1H.
 2. The setting at shipment of the user option byte is FFH.
 3. Write the setting value of the clock monitor bit (CLKMB).

Remarks 1. ×: Don't care

2. For details of the LVD, see 27.1 **Functions of Voltage Detector**.

Figure 30-2. Format of User Option Byte (000C1H/020C1H) (2/2)

Address: 000C1H/020C1H^{Note 1} After reset: — (user setting value ^{Note 2})

7	6	5	4	3	2	1	0
VPOC2	VPOC1	VPOC0	CLKMB	LVIS1	LVIS0	LVIMDS1	LVIMDS0

• LVD setting (interrupt mode)

Detection voltage		Option byte Setting Value							
V _{LVD}		VPOC2	VPOC1	VPOC0	CLKMB	LVIS1	LVIS0	LVIMDS1	LVIMDS0
Rising edge	Falling edge								
2.81 V	2.75 V	0	1	1	× ^{Note 3}	1	1	0	1
3.02 V	2.96 V	0	0	0	× ^{Note 3}	0	1		
3.22 V	3.15 V	0	1	1	× ^{Note 3}	0	1		
4.42 V	4.32 V	0	0	1	× ^{Note 3}	0	0		
4.62 V	4.52 V	0	1	0	× ^{Note 3}	0	0		
4.74 V	4.64 V	0	1	1	× ^{Note 3}	0	0		
Other than above		Setting prohibited							

• LVD setting (LVD off)

Detection voltage		Option byte Setting Value							
V _{LVD}		VPOC2	VPOC1	VPOC0	CLKMB	LVIS1	LVIS0	Mode setting	
Rising edge	Falling edge							LVIMDS1	LVIMDS0
—	—	1	×	×	× ^{Note 3}	×	×	×	1
Other than above		Setting prohibited							

• Setting of clock monitor operation

CLKMB	Control of clock monitor operation
0	Operation is enabled.
1	Operation is stopped.

- Notes**
1. Set the same value as 000C1H to 020C1H when the boot swap operation is used because 000C1H is replaced by 020C1H.
 2. The setting at shipment of the user option byte is FFH.
 3. Write the setting value of the clock monitor bit (CLKMB).

- Remarks**
1. x: don't care
 2. For details of the LVD, see 27.1 Functions of Voltage Detector.

Figure 30-3. Format of Option Byte (000C2H/020C2H)Address: 000C2H/020C2H^{Note 1} After reset: — (user setting value ^{Note 2})

7	6	5	4	3	2	1	0
1	1	RESOUTB	FRQSEL4	FRQSEL3	FRQSEL2	FRQSEL1	FRQSEL0

RESOUTB	RESOUTB output function
0	Selects P130 as the RESOUT pin <ul style="list-style-type: none"> • The low level is output during a reset. • The high level is automatically output upon release from the reset state. • The output latch value has no effect on the output.
1	Selects P130 as a general port pin (output only) <ul style="list-style-type: none"> • The low level is output during a reset. • The output latch value is output upon release from the reset state.

FRQSEL4	FRQSEL3	FRQSEL2	FRQSEL1	FRQSEL0	Frequency of the high-speed on-chip oscillator clock
1	1	0	0	0	64 MHz
1	0	0	0	0	48 MHz
0	1	0	0	0	32 MHz
0	0	0	0	0	24 MHz
0	1	0	0	1	16 MHz
0	0	0	0	1	12 MHz
0	1	0	1	0	8 MHz
0	1	0	1	1	4 MHz
0	1	1	0	1	1 MHz
Other than above					Setting prohibited

- Notes**
1. Set the same value as 000C2H to 020C2H when the boot swap operation is used because 000C2H is replaced by 020C2H.
 2. The setting at shipment of the user option byte is FFH.

30.3 Format of On-chip Debug Option Byte

The format of on-chip debug option byte is shown below.

Figure 30-4. Format of On-chip Debug Option Byte (000C3H/020C3H)

Address: 000C3H/020C3H^{Note 1}

7	6	5	4	3	2	1	0
OCDENSET	0	0	0	0	1	HPIEN ^{Note 2}	OCDERSD

OCDENSET	HPIEN ^{Note 2}	OCDERSD	Control of on-chip debug operation
0	0	0	Disables on-chip debug operation.
1	0	0	Enables on-chip debugging and disables hot plug-in operation. Erases data of flash memory in case of failures in authenticating on-chip debug security ID.
1	0	1	Enables on-chip debugging and disables hot plug-in operation. Does not erase data of flash memory in case of failures in authenticating on-chip debug security ID.
1	1	1	Enables on-chip debugging and hot plug-in operation. Does not erase data of flash memory in case of failures in authenticating on-chip debug security ID.
Other than the above			Setting prohibited

- Notes**
1. Set the same value as 000C3H to 020C3H when the boot swap operation is used because 000C3H is replaced by 020C3H.
 2. When the HPIEN bit is set to 1, the low-speed on-chip oscillator operates and cannot be stopped by the user program. The low-speed on-chip oscillator can be stopped by register setting only in standby mode. Such operation is performed because the low-speed on-chip oscillator detects hot plug-in.

Caution Bits 7, 1, and 0 (OCDENSET, HPIEN, and OCDERSD) can only be specified a value.
Be sure to set 00001B to bits 6 to 2.

Remark The value on bits 3 and 2 will be written over when the on-chip debug function is in use and thus it will become unstable after the setting. However, be sure to set the default values (0, 1) to bits 3 and 2 at setting.

30.4 Setting of Option Byte

The user option byte and on-chip debug option byte can be set using the assembler linker option, in addition to describing to the source. When doing so, the contents set by using the linker option take precedence, even if descriptions exist in the source, as mentioned below.

A software description example of the option byte setting is shown below.

OPT	CSEG	OPT_BYTE	
	DB	36H	; Does not use interval interrupt of watchdog timer, ; Enables watchdog timer operation, ; Window open period of watchdog timer is 50%, ; Overflow time of watchdog timer is $2^9/f_{WDT}$, ; Stops watchdog timer operation during HALT/STOP/SNOOZE mode
	DB	22H	; Select 2.75 V for V_{LVDL} ; Select rising edge 4.42 V, falling edge 4.32 V for V_{LVDH} ; Select the interrupt & reset mode as the LVD operation mode ; Operation of clock monitor
	DB	EDH	; Setting of the RESOUTB output function ; Select 1 MHz as the frequency of the high-speed on-chip oscillator clock
	DB	85H	; Enables on-chip debug operation, disables hot plug-in operation, does not erase flash memory data when security ID authorization fails

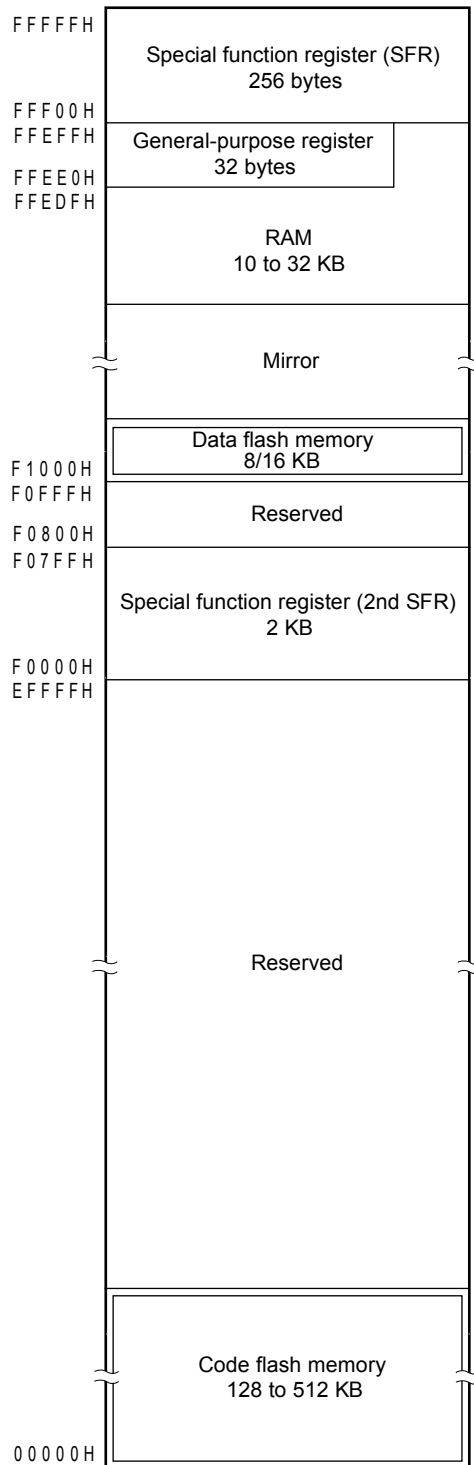
When the boot swap function is used during self programming, 000C0H to 000C3H is switched to 020C0H to 020C3H. Describe to 020C0H to 020C3H, therefore, the same values as 000C0H to 000C3H as follows.

OPT2	CSEG	AT	020C0H	
	DB		36H	; Does not use interval interrupt of watchdog timer, ; Enables watchdog timer operation, ; Window open period of watchdog timer is 50%, ; Overflow time of watchdog timer is $2^9/f_{WDT}$, ; Stops watchdog timer operation during HALT/STOP/SNOOZE mode
	DB		22H	; Select 2.75 V for V_{LVDL} ; Select rising edge 4.42 V, falling edge 4.32 V for V_{LVDH} ; Select the interrupt & reset mode as the LVD operation mode ; Operation of clock monitor
	DB		EDH	; Setting of the RESOUTB output function ; Select 1 MHz as the frequency of the high-speed on-chip oscillator clock
	DB		85H	; Enables on-chip debug operation, disables hot plug-in operation, does not erase flash memory data when security ID authorization fails

Caution To specify the option byte by using assembly language, use **OPT_BYTE** as the relocation attribute name of the CSEG pseudo instruction. To specify the option byte to 020C0H to 020C3H in order to use the boot swap function, use the relocation attribute **AT** to specify an absolute address.

CHAPTER 31 FLASH MEMORY

The RL78/F15 incorporate the flash memory to which a program can be written, erased, and overwritten. The flash memory includes the “code flash memory”, in which programs can be executed, and the “data flash memory”, an area for storing data.



The methods for programming the flash memory are shown below.

The code flash memory can be rewritten to through serial programming using a flash memory programmer or external device (UART communication) or through self-programming.

- Serial programming using flash memory programmer
Data can be written to the flash memory on-board or off-board, by using a dedicated flash memory programmer. For details, see **31.4 Serial Programming Method**.
- Serial programming using external device (UART communication)
Data can be written to the flash memory on-board through UART communication with an external device (a microcontroller or ASIC). For details, see **31.2 Serial Programming Using External Device (that Incorporates UART)**.
- Self-programming
The user application can execute self-programming of the code flash memory by using the flash self-programming library. For details, see **31.6 Self-Programming**.

The data flash memory can be rewritten to by using the data flash library during user program execution (background operation). For details about accessing or writing to the data flash memory, see **31.8 Data Flash**.

31.1 Serial Programming Using Flash Memory Programmer

The following dedicated flash memory programmer can be used to write data to the internal flash memory of the RL78/F15.

- PG-FP5, FL-PR5
- E1 on-chip debugging emulator

Data can be written to the flash memory on-board or off-board, by using a dedicated flash memory programmer.

(1) On-board programming

The contents of the flash memory can be rewritten after the RL78/F15 has been mounted on the target system. The connectors that connect the dedicated flash memory programmer must be mounted on the target system.

(2) Off-board programming

Data can be written to the flash memory with a dedicated program adapter (FA series) before the RL78/F15 is mounted on the target system.

Remark FL-PR5 and FA series are products of Naito Densetsu Machida Mfg. Co., Ltd.

Table 31-1. Wiring Between the RL78/F15 and Dedicated Flash Memory Programmer

Pin Configuration of Dedicated Flash Memory Programmer			Pin Name	Pin No.					
Signal Name		I/O		Pin Function	48-pin	64-pin	80-pin	100-pin	144-pin
PG-FP5, FL-PR5	E1 on-chip debugging emulator				LQFP (7x7), VQFN (7x7)				
–	TOOL0	I/O	Transmit/receive signal	TOOL0/ P40	3	5	9	12	12
SI/RXD	–	I/O	Transmit/receive signal						
–	RESET	Output	Reset signal	RESET	4	6	10	13	25
/RESET	–	Output							
V _{DD}		I/O	V _{DD} voltage generation/ power monitoring	V _{DD}	12	15	19	22	34
GND		–	Ground	V _{SS}	11	13	17	20	32
				EV _{SS}	–	14	18	21, 43	33, 65
				REGC ^{Note}	10	12	16	19	31
EMV _{DD}		–	Driving power for TOOL0 pin	V _{DD}	12	–	–	–	–
				EV _{DD}	–	16	20	23, 53	35, 75

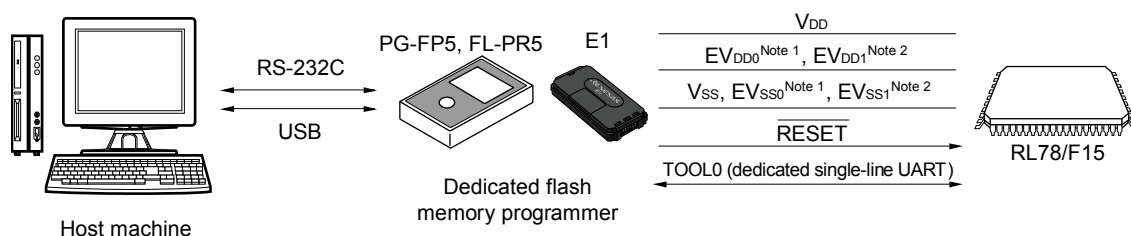
Note Connect REGC pin to ground via a capacitor (0.47 to 1 μ F).

Remark Pins that are not indicated in the above table can be left open when using the flash memory programmer for flash programming.

31.1.1 Programming Environment

The environment required for writing a program to the flash memory of the RL78/F15 is illustrated below.

Figure 31-1. Environment for Writing Program to Flash Memory



- Notes** 1. 64, 80, 100, 144-pin products only.
- 2. 100, 144-pin products only.

A host machine that controls the dedicated flash memory programmer is necessary.

To interface between the dedicated flash memory programmer and the RL78/F15, the TOOL0 pin is used for manipulation such as writing and erasing via a dedicated single-line UART.

31.1.2 Communication Mode

Communication between the dedicated flash memory programmer and the RL78/F15 is established by serial communication using the TOOL0 pin via a dedicated single-line UART of the RL78/F15.

Transfer rate: 1 M, 500 k, 250 k, 115.2 kbps

Figure 31-2. Communication with Dedicated Flash Memory Programmer



- Notes** 1. When using E1 on-chip debugging emulator.
- 2. When using PG-FP5 or FL-PR5.
- 3. 64, 80, 100, 144-pin products only.
- 4. 100, 144-pin products only.
- 5. Connect REGC pin to ground via a capacitor (0.47 to 1 μ F).

The dedicated flash memory programmer generates the following signals for the RL78/F15. See the manual of PG-FP5, FL-PR5, or E1 on-chip debugging emulator for details.

Table 31-2. Pin Connection

Dedicated Flash Memory Programmer			RL78/F15	
Signal Name		I/O	Pin Function	Pin Name
PG-FP5, FL-PR5	E1 on-chip debugging emulator			
V _{DD}		I/O	V _{DD} voltage generation/power monitoring	V _{DD}
GND		–	Ground	V _{SS} , EV _{SS0} Note 1 , EV _{SS0} Note 2 , REGC Note 3
EMV _{DD}		–	Driving power for TOOL0 pin	V _{DD} , EV _{DD0} Note 1 , EV _{DD1} Note 2
/RESET	–	Output	Reset signal	$\overline{\text{RESET}}$
–	$\overline{\text{RESET}}$	Output		
–	TOOL0	I/O	Transmit/receive signal	TOOL0
SI/RXD	–	I/O	Transmit/receive signal	

- Notes**
1. 64, 80, 100, 144-pin products only.
 2. 100, 144-pin products only.
 3. Connect REGC pin to ground via a capacitor (0.47 to 1 μF).

Caution The connection destination pins differ depending on the product. For details, see Table 31-1.

31.2 Serial Programming Using External Device (that Incorporates UART)

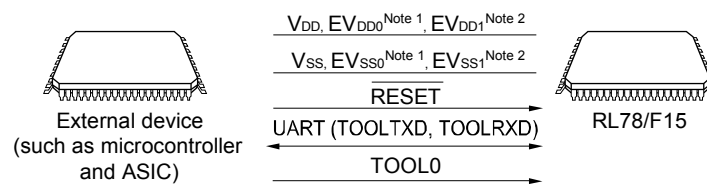
On-board data writing to the internal flash memory is possible by using the RL78/F15 and an external device (a microcontroller or ASIC) connected to a UART.

On the development of flash memory programmer by user, refer to the **RL78 Microcontrollers (RL78 Protocol A) Programmer Edition Application Note (R01AN0815)**.

31.2.1 Programming Environment

The environment required for writing a program to the flash memory of the RL78/F15 is illustrated below.

Figure 31-3. Environment for Writing Program to Flash Memory



Notes 1. 64, 80, 100, 144-pin products only.

2. 100, 144-pin products only.

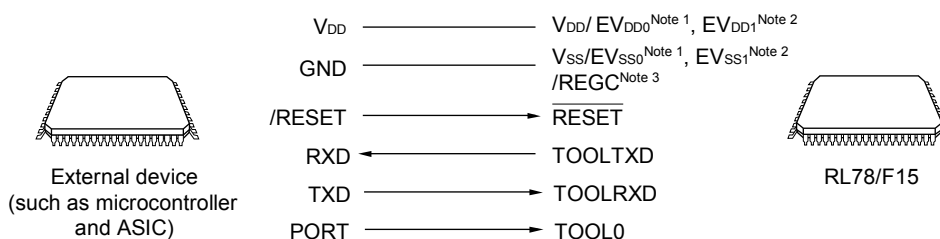
Processing to write data to or delete data from the RL78/F15 by using an external device is performed on-board. Off-board writing is not possible.

31.2.2 Communication Mode

Communication between the external device and the RL78/F15 is established by serial communication using the TOOLTXD and TOOLRXD pins via the dedicated UART of the RL78/F15.

Transfer rate: 1 M, 500 k, 250 k, 115.2 kbps

Figure 31-4. Communication with External Device



- Notes 1.** 64, 80, 100, 144-pin products only.
- 2.** 100, 144-pin products only.
- 3.** Connect REGC pin to ground via a capacitor (0.47 to 1 μ F).

The external device generates the following signals for the RL78/F15.

Table 31-3. Pin Connection

External Device			RL78/F15
Signal Name	I/O	Pin Function	Pin Name
V _{DD}	I/O	V _{DD} voltage generation/power monitoring	V _{DD} , EV _{DD0} Note 1 , EV _{DD1} Note 2
GND	–	Ground	V _{SS} , EV _{SS0} Note 1 , EV _{SS1} Note 2 , REGC Note 3
RESETOUT	Output	Reset signal output	$\overline{\text{RESET}}$
RXD	Input	Receive signal	TOOLTXD
TXD	Output	Transmit signal	TOOLRXD
PORT	Output	Mode signal	TOOL0

- Notes 1.** 64, 80, 100, 144-pin products only.
- 2.** 100, 144-pin products only.
- 3.** Connect REGC pin to ground via a capacitor (0.47 to 1 μ F).

31.3 Connection of Pins on Board

To write the flash memory on-board by using the flash memory programmer, connectors that connect the dedicated flash memory programmer must be provided on the target system. First provide a function that selects the normal operation mode or flash memory programming mode on the board.

When the flash memory programming mode is set, all the pins not used for programming the flash memory are in the same status as immediately after reset. Therefore, if the external device does not recognize the state immediately after reset, the pins must be handled as described below.

Remark For flash programming mode, see **31.4.2 Flash memory programming mode**.

31.3.1 P40/TOOL0 pin

In the flash memory programming mode, connect this pin to the dedicated flash memory programmer via an external 1 k Ω pull-up resistor.

When this pin is used as the port pin, use that by the following method.

When used as an input pin: Input of low-level is prohibited for 1 ms period after the pin reset is released. However, when this pin is used via pull-down resistors, use the 500 k Ω or more resistors.

When used as an output pin: When this pin is used via pull-down resistors, use the 500 k Ω or more resistors.

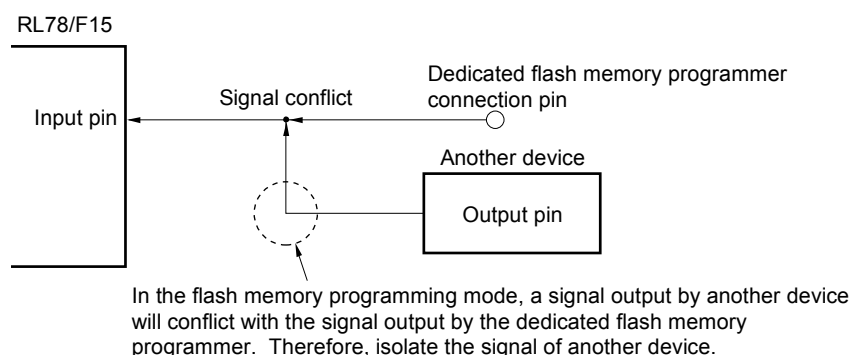
- Remarks**
1. t_{HD} : How long to keep the TOOL0 pin at the low level from when the external and internal resets end for setting of the flash memory programming mode.
 2. The SAU and IICA pins are not used for communication between the RL78/F15 and the dedicated flash memory programmer, because single-line UART (TOOL0 pin) is used.

31.3.2 $\overline{\text{RESET}}$ pin

Signal conflict will occur if the reset signal of the dedicated flash memory programmer and external device are connected to the $\overline{\text{RESET}}$ pin that is connected to the reset signal generator on the board. To prevent this conflict, isolate the connection with the reset signal generator.

The flash memory will not be correctly programmed if the reset signal is input from the user system while the flash memory programming mode is set. Do not input any signal other than the reset signal of the dedicated flash memory programmer and external device.

Figure 31-5. Signal Conflict ($\overline{\text{RESET}}$ Pin)



31.3.3 Port pins

When the flash memory programming mode is set, all the pins not used for flash memory programming enter the same status as that immediately after reset. If external devices connected to the ports do not recognize the port status immediately after reset, the port pin must be connected to either to V_{DD} , EV_{DD0} ^{Note1}, or EV_{DD1} ^{Note2}, or V_{SS} , EV_{SS0} ^{Note 1}, or EV_{SS1} ^{Note 2}, via a resistor.

- Notes**
1. 64, 80, 100, 144-pin products only.
 2. 100, 144-pin products only.

31.3.4 REGC pin

Connect the REGC pin to GND via a capacitor (0.47 to 1 μ F) in the same manner as during normal operation. Also, use a capacitor with good characteristics, since it is used to stabilize internal voltage.

31.3.5 X1 and X2 pins

Connect X1 and X2 in the same status as in the normal operation mode.

Remark In the flash memory programming mode, the high-speed on-chip oscillator clock (f_{IH}) is used.

31.3.6 Power supply

To use the supply voltage output of the flash memory programmer, connect the V_{DD} pin to V_{DD} of the flash memory programmer, and the V_{SS} pin to GND of the flash memory programmer.

To use the on-board supply voltage, connect in compliance with the normal operation mode.

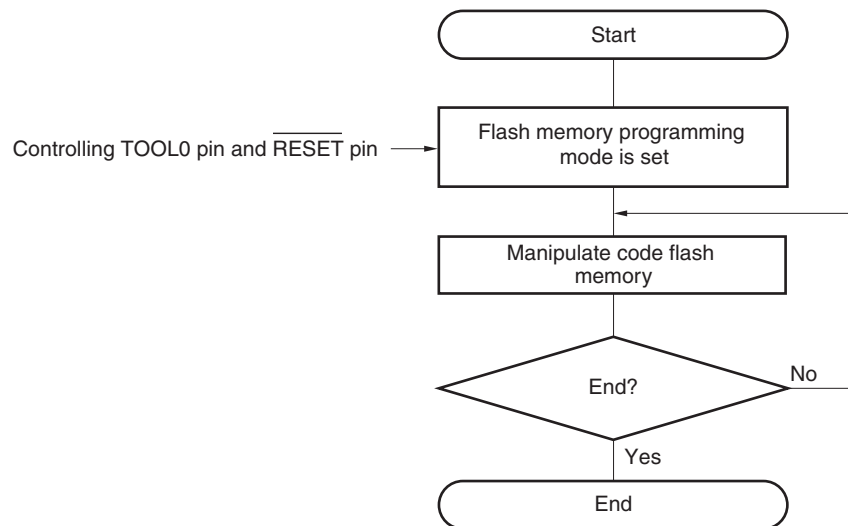
However, when writing to the flash memory by using the flash memory programmer and using the on-board supply voltage, be sure to connect the V_{DD} and V_{SS} pins to V_{DD} and GND of the flash memory programmer to use the power monitor function with the flash memory programmer.

31.4 Serial Programming Method

31.4.1 Serial programming procedure

The following figure illustrates the procedure to manipulate the flash memory.

Figure 31-6. Code Flash Memory Manipulation Procedure



31.4.2 Flash memory programming mode

To rewrite the contents of the code flash memory through serial programming, specify the flash memory programming mode. To switch to the mode, set as follows.

<Serial programming using the dedicated flash memory programmer>

Connect the RL78/F15 to the dedicated flash memory programmer. Communication from the dedicated flash memory programmer is performed to automatically switch to the flash memory programming mode.

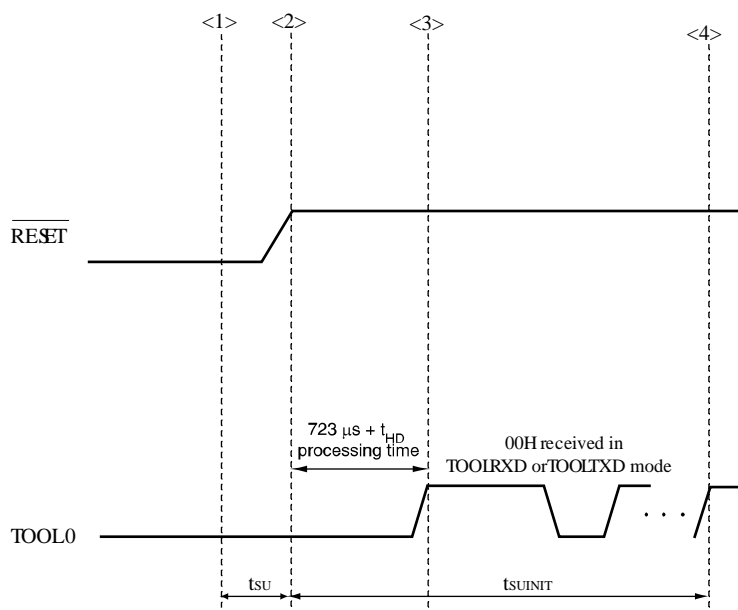
<Serial programming using an external device (UART communication)>

Set the TOOL0 pin to the low level, and then cancel the reset (see **Table 31-4**). Then, perform steps <1> to <4> in Figure 31-7 to enter the flash memory programming mode. For details, refer to the **RL78 Microcontrollers (RL78 Protocol A) Programmer Edition Application Note (R01AN0815)**.

Table 31-4. Relationship Between TOOL0 Pin and Operation Mode After Reset Release

TOOL0	Operation Mode
EV _{DD}	Normal operation mode
0 V	Flash memory programming mode

Figure 31-7. Setting of Flash Memory Programming Mode



- <1> The low level is input to the TOOL0 pin.
- <2> The external reset ends (POR and LVD reset must end before the external reset ends.).
- <3> The TOOL0 pin is set to the high level.
- <4> Baud rate setting by UART reception is completed.

Remark t_{SINIT}: The segment shows that it is necessary to finish specifying the initial communication settings within 100 ms from when the resets end.

t_{SU}: How long from when the TOOL0 pin is placed at the low level until an external reset ends

t_{HD}: How long to keep the TOOL0 pin at the low level from when the external and internal resets end (the flash firmware processing time is excluded)

The voltage range in which to write, erase, or verify data in flash memory programming mode is shown in Table 31-5.

Table 31-5. Voltages at Which Data Can Be Written, Erased, or Verified

Voltages at which data can be written, erased, or verified	Operating frequency
$2.7\text{ V} \leq V_{DD} \leq 5.5\text{ V}$	1 MHz to 32 MHz

Remark For details about communication commands, see **31.4.4 Communication commands**.

31.4.3 Selecting communication mode

Communications modes of the RL78/F15 are as follows.

Table 31-6. Communication Modes

Communication Mode	Standard Setting ^{Note 1}				Pins Used
	Port	Speed ^{Note 2}	Frequency	Multiply Rate	
1-line mode (when flash memory programmer or an external device is used)	UART	115200 bps, 250000 bps, 500000 bps, 1 Mbps	–	–	TOOL0
UART0 (when external device is used)	UART	115200 bps, 250000 bps, 500000 bps, 1 Mbps	–	–	TOOLTXD, TOOLRXD

- Notes**
1. Selection items for Standard settings on GUI of the flash memory programmer.
 2. Because factors other than the baud rate error, such as the signal waveform slew, also affect UART communication, thoroughly evaluate the slew as well as the baud rate error.

31.4.4 Communication commands

The RL78/F15 executes serial programming through the commands listed in Table 31-7.

The signals sent from the dedicated flash memory programmer or external device to the RL78/F15 are called commands, and programming functions corresponding to the commands are executed. For details, refer to the **RL78 Microcontrollers (RL78 Protocol A) Programmer Edition Application Note (R01AN0815)**.

Table 31-7. Flash Memory Control Commands

Classification	Command Name	Function
Verify	Verify	Compares the contents of a specified area of the flash memory with data transmitted from the programmer.
Erase	Block Erase	Erases a specified area in the flash memory.
Blank check	Block Blank Check	Checks if a specified block in the flash memory has been correctly erased.
Write	Programming	Writes data to a specified area in the flash memory. ^{Note}
Getting information	Silicon Signature	Gets information from the RL78/F15 (such as the part number, flash memory configuration, and programming firmware version).
	Checksum	Gets the checksum data for a specified area.
Security	Security Set	Sets security information.
	Security Get	Gets security information.
	Security Release	Release setting of prohibition of writing.
Others	Reset	Used to detect synchronization status of communication.
	Baud Rate Set	Sets baud rate when UART communication mode is selected.

Note Confirm that no data has been written to the write area. Because data cannot be erased after block erase is prohibited, do not write data if the data has not been erased.

Product information (such as product name and firmware version) can be obtained by executing the “Silicon Signature” command.

Table 31-8 lists and describes signature data. Table 31-9 shows examples of signature data.

Table 31-8. Signature Data List

Field name	Description	Number of transmit data
Device code	The serial number assigned to the device	3 bytes
Device name	Device name (ASCII code)	10 bytes
Code flash memory area last address	Last address of code flash memory area (Sent from lower address. Example. 00000H to 0FFFFH (64 KB) → FFH, 1FH, 00H)	3 bytes
Data flash memory area last address	Last address of data flash memory area (Sent from lower address. Example. F1000H to F1FFFH (4 KB) → FFH, 1FH, 0FH)	3 bytes
Firmware version	Version information of firmware for programming (Sent from upper address. Example. From Ver. 1.23 → 01H, 02H, 03H)	3 bytes

Table 31-9. Example of Signature Data

Field name	Description	Number of transmit data	Data (hexadecimal)
Device code	RL78 protocol A	3 bytes	10 00 06
Device name	R5F113TL	10 bytes	52 = "R" 35 = "5" 46 = "F" 31 = "1" 31 = "1" 33 = "3" 54 = "T" 4C = "L" 20 = " " 20 = " "
Code flash memory area last address	Code flash memory area 00000H to 7FFFFH (512 KB)	3 bytes	FF FF 07
Data flash memory area last address	Data flash memory area F1000H to F4FFFH (16 KB)	3 bytes	FF 4F 0F
Firmware version	Ver.1.23	3 bytes	01 02 03

31.5 Processing Time for Each Command when PG-FP5 Is in Use (Reference Value)

The following shows the processing time for each command (reference value) when PG-FP5 is used as a dedicated flash memory programmer.

Table 31-10. Processing Time for Each Command When PG-FP5 Is in Use (Reference Value)

PG-FP5 Command	Code Flash				
	128 KB	192 KB	256 KB	384 KB	512 KB
Erase	2 s	2 s	2.5 s	3 s	4 s
Write	3.5 s	5 s	6 s	8.5 s	11 s
Verify	3.5 s	4.5 s	5.5 s	8 s	10.5 s
Write after erase	4.5 s	6.5 s	8 s	11 s	14.5 s

Remark The command processing times (reference value) shown in the table are typical values under the following conditions.

Port: TOOL0 (single-line UART)

Speed: 1,000,000 bps

31.6 Self-Programming

The RL78/F15 support self-programming functions that can be used to rewrite the code flash memory via a user program. Because this function allows a user application to rewrite the code flash memory by using the flash self-programming library, it can be used to upgrade the program in the field.

- Cautions**
1. The self-programming function cannot be used when the CPU operates with the subsystem/low-speed on-chip oscillator select clock.
 2. To prohibit an interrupt during self-programming, in the same way as in the normal operation mode, execute the flash self-programming library in the state where the IE flag is cleared (0) by the DI instruction. To enable an interrupt, clear (0) the interrupt mask flag to accept in the state where the IE flag is set (1) by the EI instruction, and then execute the flash self-programming library.
 3. The high-speed on-chip oscillator should be kept operating during self-programming. If this oscillator is stopped, start the high-speed on-chip oscillator clock by setting HIOSTOP to 0. Then, after 30 μ s has elapsed, execute the flash self-programming library.

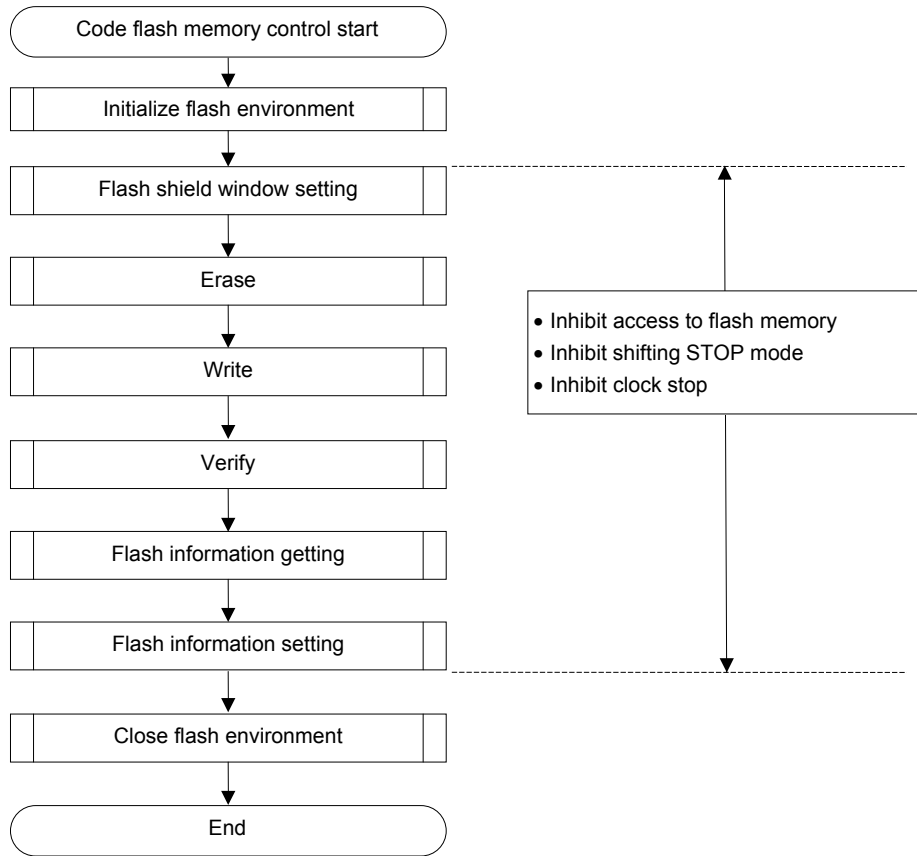
- Remarks**
1. For details of the self-programming function, refer to **RL78 Microcontroller Flash Self Programming Library Type01 User's Manual (R01AN0350)**.
 2. For details of the time required to execute self programming, see the notes on use that accompany the flash self-programming library tool.

Note that the self-programming function has two modes for flash memory programming mode: wide voltage mode and full-speed mode. Because RL78/F15 does not have wide voltage mode, select full-speed mode.

31.6.1 Self-programming procedure

The following figure illustrates a flow of rewriting the code flash memory by using a flash self-programming library.

Figure 31-8. Flow of Self Programming (Rewriting Flash Memory)



31.6.2 Boot swap function

If rewriting the boot area failed by temporary power failure or other reasons, restarting a program by resetting or overwriting is disabled due to data destruction in the boot area.

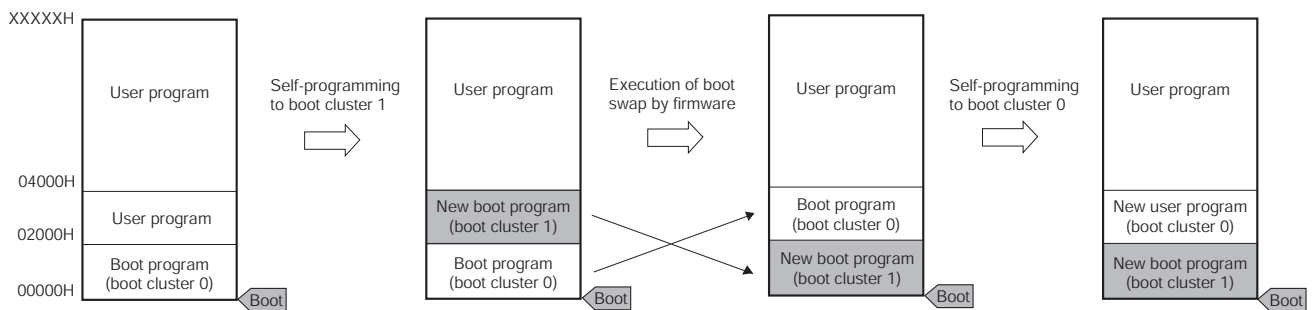
The boot swap function is used to avoid this problem.

Before erasing boot cluster 0^{Note}, which is a boot program area, by self-programming, write a new boot program to boot cluster 1 in advance. When the program has been correctly written to boot cluster 1, swap this boot cluster 1 and boot cluster 0 by using the set information function of the firmware of the RL78/F15, so that boot cluster 1 is used as a boot area. After that, erase or write the original area, boot cluster 0.

As a result, even if a power failure occurs while the area is being rewritten, the program is executed correctly because it is booted from boot cluster 1 to be swapped when the program is reset and started next.

Note A boot cluster is an 8 KB area and boot clusters 0 and 1 are swapped by the boot swap function.

Figure 31-9. Boot Swap Function

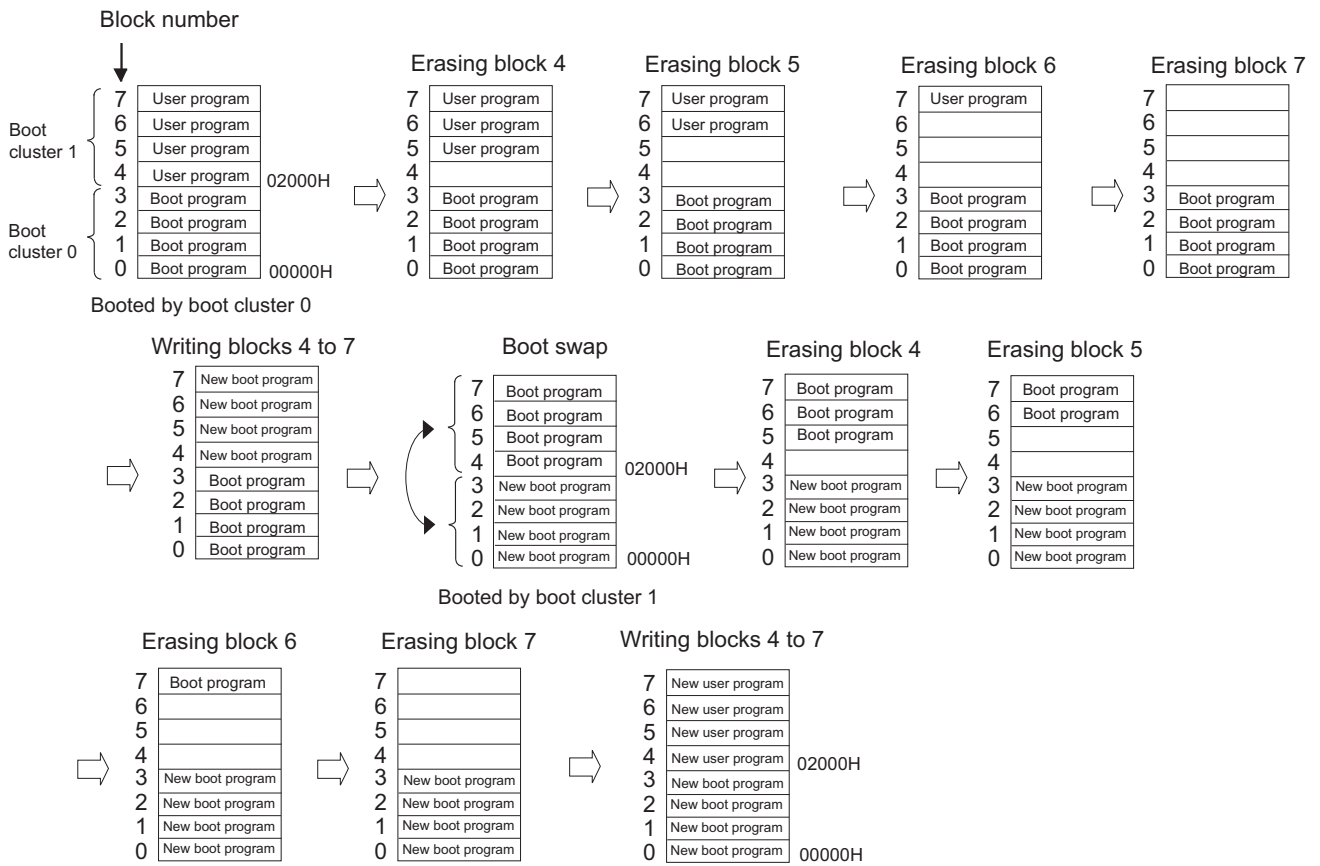


In an example of above figure, it is as follows.

Boot cluster 0: Boot program area before boot swap

Boot cluster 1: Boot program area after boot swap

Figure 31-10. Example of Executing Boot Swapping



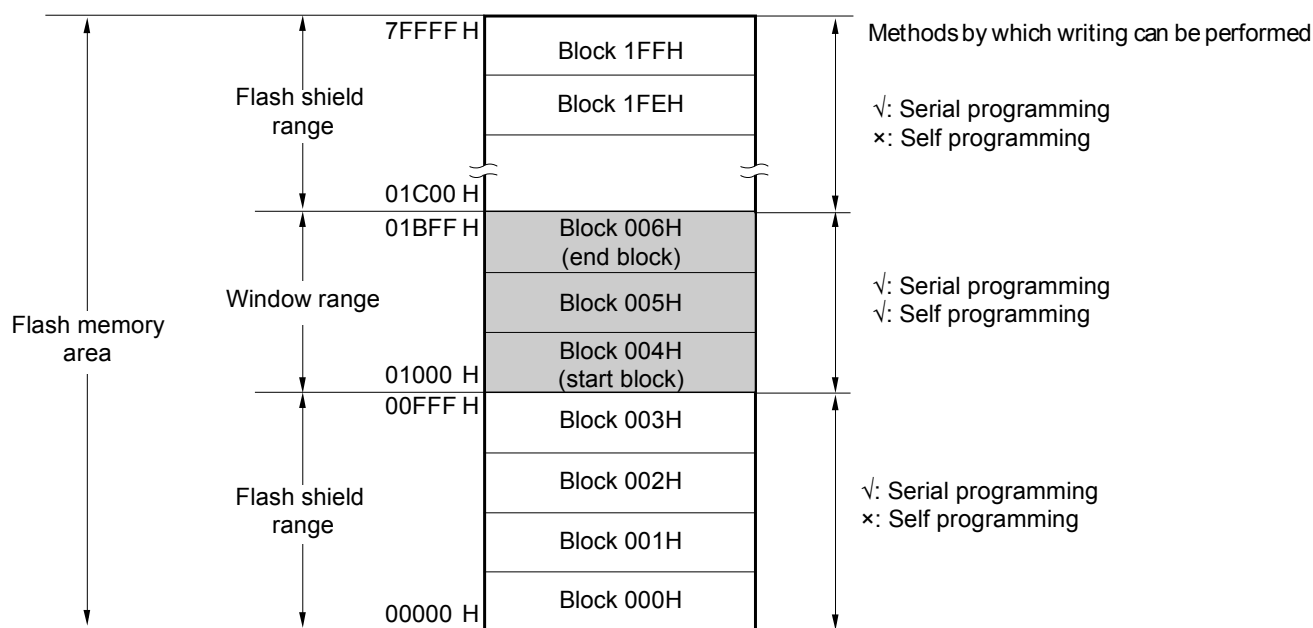
31.6.3 Flash shield window function

The flash shield window function is provided as one of the security functions for self programming. It disables writing to and erasing areas outside the range specified as a window only during self programming.

The window range can be set by specifying the start and end blocks. The window range can be set or changed during both serial programming and self-programming.

Writing to and erasing areas outside the window range are disabled during self programming. During serial programming, however, areas outside the range specified as a window can be written and erased.

Figure 31-11. Flash Shield Window Setting Example
(Target Devices: R5F113TL, Start Block: 004H, End Block: 006H)



- Cautions**
1. If the rewrite-prohibited area of the boot cluster 0 overlaps with the flash shield window range, prohibition to rewrite the boot cluster 0 takes priority.
 2. The flash shield window can only be used for the code flash memory (and is not supported for the data flash memory).

Table 31-11. Relationship between Flash Shield Window Function Setting/Change Methods and Commands

Programming conditions	Window Range Setting/Change Methods	Execution Commands	
		Block erase	Write
Self-programming	Specify the starting and ending blocks by the flash self programming library.	Block erasing is enabled only within the window range.	Writing is enabled only within the range of window range.
Serial programming	Specify the starting and ending blocks on GUI of dedicated flash memory programmer, etc.	Block erasing is enabled also outside the window range.	Writing is enabled also outside the window range.

Remark See 31.7 Security Settings to prohibit writing or erasing during serial programming.

31.7 Security Settings

The RL78/F15 support security functions that prohibit rewriting the user program written to the internal flash memory, so that the program cannot be changed by an unauthorized person.

The operations shown below can be performed using the Security Set command.

- Disabling block erase

Execution of the block erase command for a specific block in the flash memory is prohibited during serial programming. However, blocks can be erased by means of self programming.

- Disabling write

Execution of the write command for entire blocks in the code flash memory is prohibited during serial programming. However, blocks can be written by means of self programming.

After the setting of prohibition of writing is specified, releasing the setting by the Security Release command is enabled by a reset.

- Disabling rewriting boot cluster 0

Execution of the block erase command and write command on boot cluster 0 (00000H to 1FFFH) in the code flash memory is prohibited by this setting.

The block erase, write commands, and rewriting boot cluster 0 are enabled by the default setting when the flash memory is shipped. Security can be set by serial programming and self programming. Each security setting can be used in combination.

Table 31-12 shows the relationship between the erase and write commands when the RL78/F15 security function is enabled.

Caution The security functions of the dedicated flash programmer does not support self-programming.

Remark To prohibit writing and erasing during self-programming, use the flash shield window function (see **31.6.3 Flash shield window function** for detail).

Table 31-12. Relationship Between Enabling Security Function and Command

(1) During serial programming

Valid Security	Executed Command	
	Block Erase	Write
Prohibition of block erase	Blocks cannot be erased.	Can be performed. Note
Prohibition of writing	Blocks can be erased.	Cannot be performed.
Prohibition of rewriting boot cluster 0	Boot cluster 0 cannot be erased.	Boot cluster 0 cannot be written.

Note Confirm that no data has been written to the write area. Because data cannot be erased after block erase is prohibited, do not write data if the data has not been erased.

(2) During self programming

Valid Security	Executed Command	
	Block Erase	Write
Prohibition of block erase	Blocks can be erased.	Can be performed.
Prohibition of writing		
Prohibition of rewriting boot cluster 0	Boot cluster 0 cannot be erased.	Boot cluster 0 cannot be written.

Remark To prohibit writing and erasing during self-programming, use the flash shield window function (see **31.6.3 Flash shield window function** for detail).

Table 31-13. Setting Security in Each Programming Mode

(1) Serial programming

Security	Security Setting	How to Disable Security Setting
Prohibition of block erase	Set via GUI of dedicated flash memory programmer, etc.	Cannot be disabled after set.
Prohibition of writing		Set via GUI of dedicated flash memory programmer, etc.
Prohibition of rewriting boot cluster 0		Cannot be disabled after set.

Caution Releasing the setting of prohibition of writing is enabled only when the security is not set as the block erase prohibition and the boot cluster 0 rewrite prohibition with code flash memory area and data flash memory area being blanks.

(2) Self programming

Security	Security Setting	How to Disable Security Setting
Prohibition of block erase	Set by using flash self programming library.	Cannot be disabled after set.
Prohibition of writing		Cannot be disabled during self-programming. (Set via GUI of dedicated flash memory programmer, etc. during serial programming.)
Prohibition of rewriting boot cluster 0		Cannot be disabled after set.

31.8 Data Flash

31.8.1 Data flash overview

An overview of the data flash memory is provided below.

- The data flash memory can be rewritten by a user program using the data flash library. For details, refer to the **RL78 Family Microcontroller Data Flash Library User's Manual**.
- The data flash memory can also be rewritten by serial programming using a dedicated flash memory programmer or an external device.
- Blocks in the data flash memory can be erased in 1-KB units.
- The data flash memory can be accessed only in 8-bit units.
- The data flash memory can be directly read by CPU instructions.
- Instructions can be executed from the code flash memory while rewriting the data flash memory (back ground operation (BGO) is supported).
- Because the data flash memory is an area exclusively used for data, executing instructions from the data flash memory is prohibited.
- Accessing the data flash memory is prohibited while rewriting the code flash memory (during self-programming)
- Manipulating the DFLCTL register is prohibited while rewriting the data flash memory.
- Transition to the STOP status is prohibited while rewriting the data flash memory.
- The data flash memory can be programmed by using a Renesas library while other programs are running.

- Cautions**
1. **The data flash memory is stopped after a reset is released. To use the data flash memory, the data flash control register (DFLCTL) must be set up.**
 2. **The high-speed on-chip oscillator must be running while rewriting the data flash memory. If this oscillator is stopped, start the high-speed on-chip oscillator clock by setting HIOSTOP to 0. Then, after 30 μ s has elapsed, execute the data flash library.**

Remark For details about rewriting the code flash memory by using a user program, see **31.6 Self-Programming**.

31.8.2 Register controlling data flash memory

(1) Data flash control register (DFLCTL)

This register is used to enable or disable accessing to the data flash.

The DFLCTL register is set by a 1-bit or 8-bit memory manipulation instruction.

Reset input sets this register to 00H.

Figure 31-12. Format of Data Flash Control Register (DFLCTL)

Address: F0090H After reset: 00H R/W

Symbol	7	6	5	4	3	2	1	<0>
DFLCTL	0	0	0	0	0	0	0	DFLEN

DFLEN	Data flash access control
0	Disables data flash access
1	Enables data flash access

Caution Manipulating the DFLCTL register is not possible while rewriting the data flash memory.

31.8.3 Procedure for accessing data flash memory

The data flash memory is stopped after a reset is released. To access the data flash memory, initial settings must be specified as described below.

After the initial settings are specified, the data flash memory can be read by CPU instructions and can be read or rewritten by using a data flash library.

<1> Set 1 to bit 0 (DFLEN) of the data flash control register (DFLCTL).

<2> Use a software timer to wait for the setup to finish.

Setup time: 5 μ s

<3> After the wait, the data flash memory can be accessed.

- Cautions**
1. Accessing the data flash memory is prohibited during the setup time.
 2. Transition to the STOP mode is not possible during the setup time. To enter the STOP mode during the setup time, clear DFLEN to 0 and then execute the STOP instruction.
 3. The high-speed on-chip oscillator should be kept operating during data flash rewrite. If it is kept stopping, the high-speed on-chip oscillator clock should be operated (HIOSTOP = 0). The data flash library should be executed after 30 μ s have elapsed.

CHAPTER 32 ON-CHIP DEBUG FUNCTION

32.1 Overview of On-chip Debug Function

The RL78/F15 has an on-chip debug controller. The following describes three functions. For points requiring cautions in using these functions, refer to E1/E20 Emulator User's Manual (R20UT0398).

- Hot plug-in
- Real-time RAM monitor (RRM) and dynamic memory modification (DMM) by the DTC
- On-chip trace

32.1.1 Hot Plug-in

This function is for connecting the MCU with an emulator without stopping or resetting a user program which is in execution. This function uses RAM in some products.

32.1.2 Real-time RAM Monitor (RRM) and Dynamic Memory Modification (DMM) by DTC

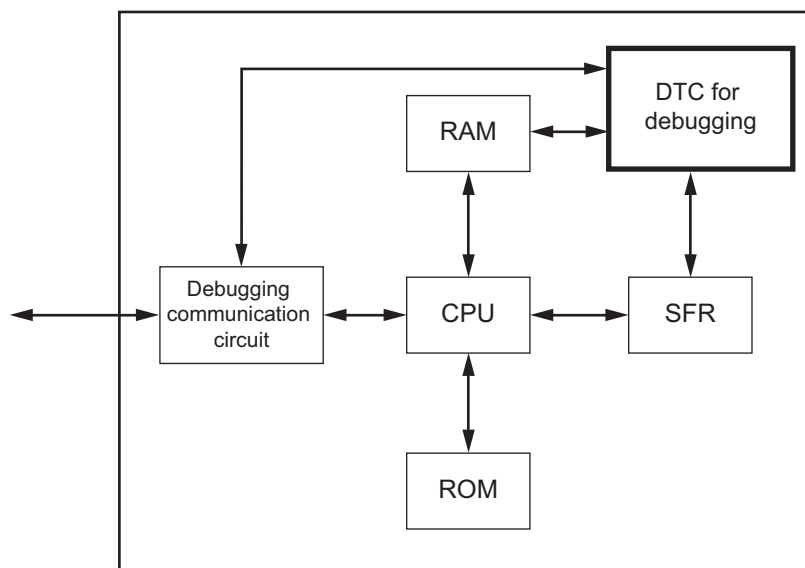
These functions are for accessing the MCU memory during the execution of the user program after the connection between the MCU and emulator.

The RL78/F15 allows access to memory without using the CPU because they have a DTC for debugging.

These functions use RAM in some products.

Figure 32-1 shows the configuration of RRM and DMM by the DTC.

Figure 32-1. Configuration of RRM and DMM by DTC



32.1.3 On-chip Trace

This function is for retaining the program counter values of branch sources when branches occur.

This function can retain the values of branches due to the execution of branch instructions, interrupts, and resets. This function uses RAM to retain traces in some products.

The RAM area used and the number of branches retained by the on-chip trace vary with the product.

Table 32-1 shows the RAM area used and the number of branches retained by on-chip trace.

Table 32-1. RAM Area Used and Number of Branches Retained by On-chip Trace

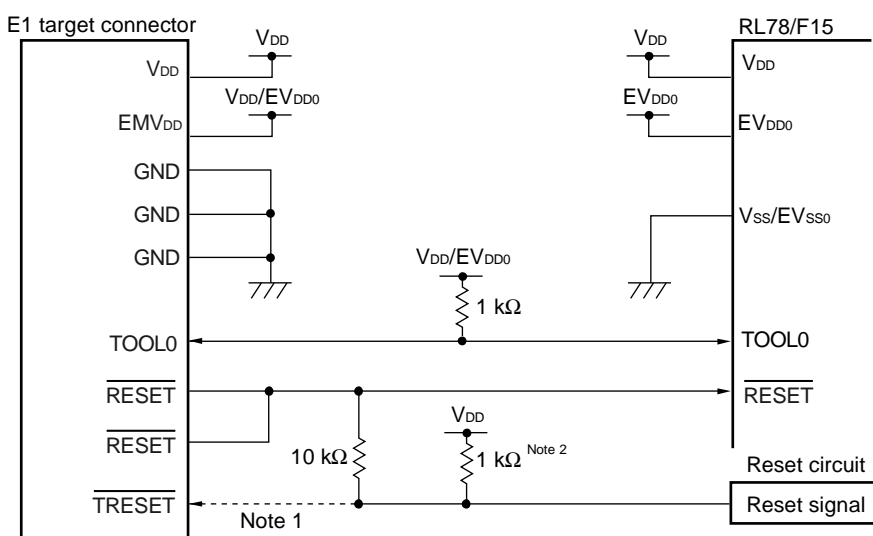
Products	RAM	RAM Area Used	Number of Branches
R5F113PG, R5F113TG	10 KB	–	128
R5F113PH, R5F113TH	16 KB		
R5F113PJ, R5F113TJ	20 KB	<ul style="list-style-type: none"> • 0FB500H-0FB52FH (Hot plug-in/RRM and DDM by DTC) • 0FB300H-0FB4FFH (On-chip trace) 	
R5F113GK, R5F113LK, R5F113MK, R5F113PK, R5F113TK	26 KB	–	
R5F113GL, R5F113LL, R5F113ML, R5F113PL, R5F113TL	32 KB	<ul style="list-style-type: none"> • 0FB500H-0FB52FH (Hot plug-in/RRM and DDM by DTC) • 0FB300H-0FB4FFH (On-chip trace) 	

32.2 Connecting E1 On-chip Debugging Emulator to RL78/F15

The RL78/F15 uses the V_{DD} , EV_{DD0} , \overline{RESET} , $TOOL0$, and V_{SS} pins to communicate with the host machine via an E1 on-chip debugging emulator. Serial communication is performed by using a single-line UART that uses the $TOOL0$ pin. The RL78/F15 is provided with the hot plug-in detection function.

Caution The RL78/F15 has an on-chip debug function, which is provided for development and evaluation. Do not use the on-chip debug function in products designated for mass production, because the guaranteed number of rewritable times of the flash memory may be exceeded when this function is used, and product reliability therefore cannot be guaranteed. Renesas Electronics is not liable for problems occurring when the on-chip debug function is used.

Figure 32-2. Connection Example of E1 On-chip Debugging Emulator and RL78/F15



- Notes**
1. Connecting the dotted line is not necessary during flash programming.
 2. If the reset circuit on the target system does not have a buffer and generates a reset signal only with resistors and capacitors, this pull-up resistor is not necessary.

Caution This circuit diagram is assumed that the reset signal outputs from an N-ch O.D. buffer (output resistor: 100 Ω or less)

32.3 On-Chip Debug Security ID

The RL78/F15 has an on-chip debug operation control bit in the flash memory at 000C3H (see **CHAPTER 30 OPTION BYTE**) and an on-chip debug security ID setting area at 000C4H to 000CDH, to prevent third parties from reading memory content.

When the boot swap function is used, also set a value that is the same as that of 020C3H and 020C4H to 020CDH in advance, because 000C3H, 000C4H to 000CDH and 020C3H, and 020C4H to 020CDH are switched.

Table 32-2. On-Chip Debug Security ID

Address	On-Chip Debug Security ID
000C4H to 000CDH	Any ID code of 10 bytes (except for All FFH)
020C4H to 020CDH	

32.4 Securing of User Resources

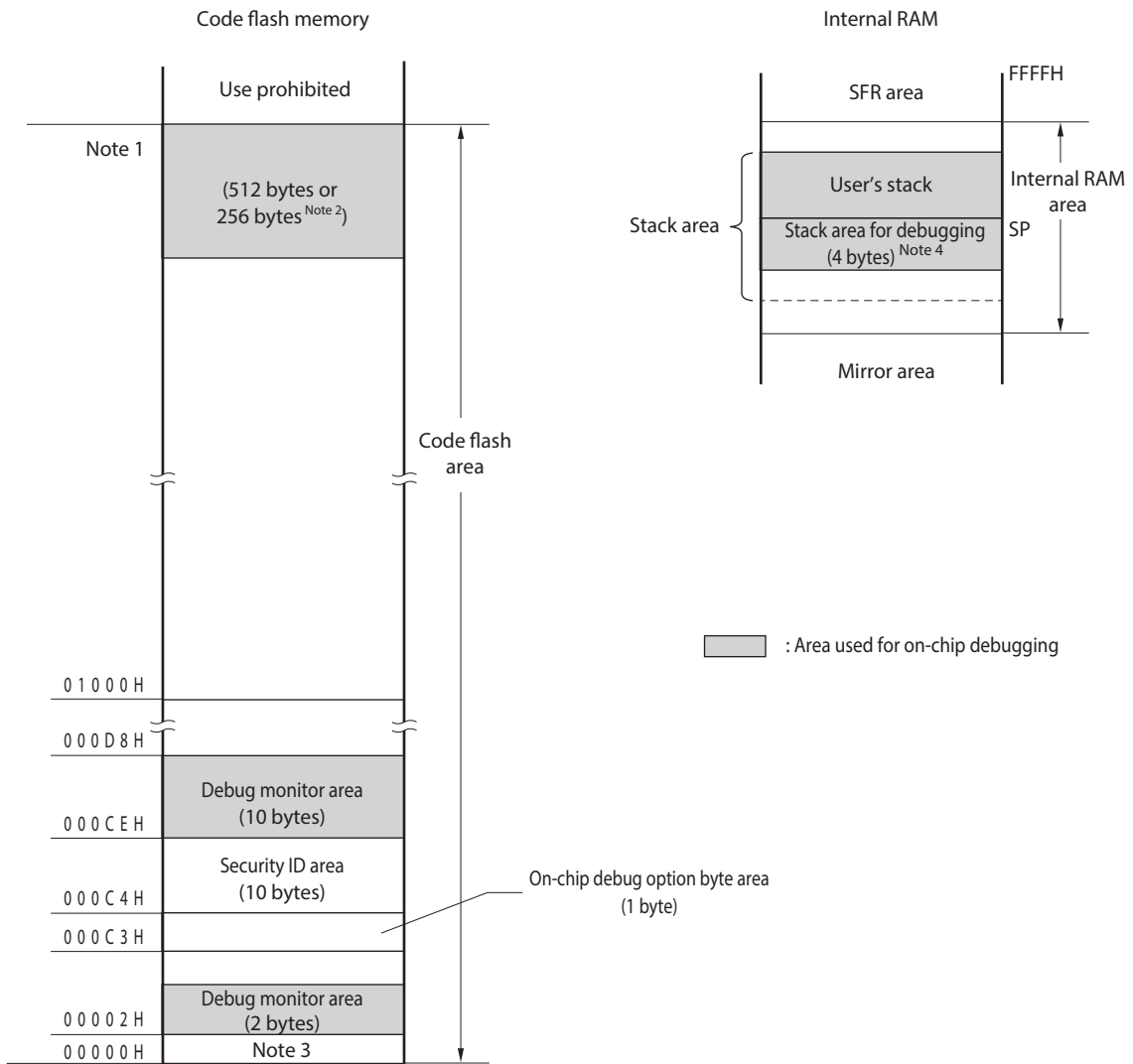
To perform communication between the RL78/F15 and E1 on-chip debugging emulator, as well as each debug function, the securing of memory space must be done beforehand.

If Renesas Electronics assembler or compiler is used, the items can be set by using linker options.

32.4.1 Securement of memory space

The shaded portions in Figure 32-2 are the areas reserved for placing the debug monitor program, so user programs or data cannot be allocated in these spaces. When using the on-chip debug function, these spaces must be secured so as not to be used by the user program. Moreover, this area must not be rewritten by the user program.

Figure 32-3. Memory Spaces Where Debug Monitor Programs Are Allocated



Notes 1. Address differs depending on products as follows.

Products (code flash memory capacity)	Address of Note 1
R5F113mG (m = T, P)	1FFFFH
R5F113mH (m = T, P)	2FFFFH
R5F113mJ (m = T, P)	3FFFFH
R5F113mK (m = T, P, M, L, G)	47FFFFH
R5F113mL (m = T, P, M, L, G)	7FFFFH

2. When real-time RAM monitor (RRM) function and dynamic memory modification (DMM) function are not used, it is 256 bytes.
3. In debugging, reset vector is rewritten to address allocated to a monitor program.
4. Since this area is allocated just under the stack area, the address of this area varies depending on the stack increase and decrease. That is, 4 extra bytes are consumed for the stack area used.
When using self-programming, 12 extra bytes are consumed for the stack area used.

CHAPTER 33 BCD CORRECTION CIRCUIT

33.1 BCD Correction Circuit Function

The result of addition/subtraction of the BCD (binary-coded decimal) code and BCD code can be obtained as BCD code with this circuit.

The decimal correction operation result is obtained by performing addition/subtraction having the A register as the operand and then adding/ subtracting the BCD correction result register (BCDADJ).

33.2 Registers Used by BCD Correction Circuit

The BCD correction circuit uses the following registers.

- BCD correction result register (BCDADJ)

(1) BCD correction result register (BCDADJ)

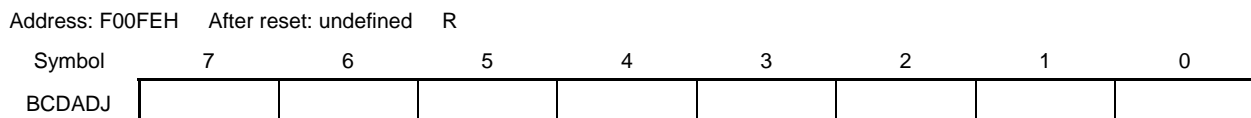
The BCDADJ register stores correction values for obtaining the add/subtract result as BCD code through add/subtract instructions using the A register as the operand.

The value read from the BCDADJ register varies depending on the value of the A register when it is read and those of the CY and AC flags.

The BCDADJ register is read by an 8-bit memory manipulation instruction.

Reset input sets this register to undefined.

Figure 33-1. Format of BCD Correction Result Register (BCDADJ)



33.3 BCD Correction Circuit Operation

The basic operation of the BCD correction circuit is as follows.

(1) Addition: Calculating the result of adding a BCD code value and another BCD code value by using a BCD code value

- <1> The BCD code value to which addition is performed is stored in the A register.
- <2> By adding the value of the A register and the second operand (value of one more BCD code to be added) as are in binary, the binary operation result is stored in the A register and the correction value is stored in the BCD correction result register (BCDADJ).
- <3> Decimal correction is performed by adding in binary the value of the A register (addition result in binary) and the BCDADJ register (correction value), and the correction result is stored in the A register and CY flag.

Caution The value read from the BCDADJ register varies depending on the value of the A register when it is read and those of the CY and AC flags. Therefore, execute the instruction <3> after the instruction <2> instead of executing any other instructions. To perform BCD correction in the interrupt enabled state, saving and restoring the A register is required within the interrupt function. PSW (CY flag and AC flag) is restored by the RETI instruction.

An example is shown below.

Examples 1: $99 + 89 = 188$

Instruction	A Register	CY Flag	AC Flag	BCDADJ Register
MOV A, #99H ; <1>	99H	–	–	–
ADD A, #89H ; <2>	22H	1	1	66H
ADD A, !BCDADJ ; <3>	88H	1	0	–

Examples 2: $85 + 15 = 100$

Instruction	A Register	CY Flag	AC Flag	BCDADJ Register
MOV A, #85H ; <1>	85H	–	–	–
ADD A, #15H ; <2>	9AH	0	0	66H
ADD A, !BCDADJ ; <3>	00H	1	1	–

Examples 3: $80 + 80 = 160$

Instruction	A Register	CY Flag	AC Flag	BCDADJ Register
MOV A, #80H ; <1>	80H	–	–	–
ADD A, #80H ; <2>	00H	1	0	60H
ADD A, !BCDADJ ; <3>	60H	1	0	–

(2) Subtraction: Calculating the result of subtracting a BCD code value from another BCD code value by using a BCD code value

- <1> The BCD code value from which subtraction is performed is stored in the A register.
- <2> By subtracting the value of the second operand (value of BCD code to be subtracted) from the A register as is in binary, the calculation result in binary is stored in the A register, and the correction value is stored in the BCD correction result register (BCDADJ).
- <3> Decimal correction is performed by subtracting the value of the BCDADJ register (correction value) from the A register (subtraction result in binary) in binary, and the correction result is stored in the A register and CY flag.

Caution The value read from the BCDADJ register varies depending on the value of the A register when it is read and those of the CY and AC flags. Therefore, execute the instruction <3> after the instruction <2> instead of executing any other instructions. To perform BCD correction in the interrupt enabled state, saving and restoring the A register is required within the interrupt function. PSW (CY flag and AC flag) is restored by the RETI instruction.

An example is shown below.

Example: $91 - 52 = 39$

Instruction	A Register	CY Flag	AC Flag	BCDADJ Register
MOV A, #91H ; <1>	91H	–	–	–
SUB A, #52H ; <2>	3FH	0	1	06H
SUB A, !BCDADJ ; <3>	39H	0	0	–

CHAPTER 34 INSTRUCTION SET

This chapter lists the instructions in the RL78 microcontroller instruction set. For details of each operation and operation code, refer to the separate document **RL78 Family User's Manual Software**.

34.1 Conventions Used in Operation List

34.1.1 Operand identifiers and specification methods

Operands are described in the “Operand” column of each instruction in accordance with the description method of the instruction operand identifier (refer to the assembler specifications for details). When there are two or more description methods, select one of them. Alphabetic letters in capitals and the symbols, #, !, !!, \$, \$!, [], and ES: are keywords and are described as they are. Each symbol has the following meaning.

- #: Immediate data specification
- !: 16-bit absolute address specification
- !!: 20-bit absolute address specification
- \$: 8-bit relative address specification
- \$!: 16-bit relative address specification
- []: Indirect address specification
- ES:: Extension address specification

In the case of immediate data, describe an appropriate numeric value or a label. When using a label, be sure to describe the #, !, !!, \$, \$!, [], and ES: symbols.

For operand register identifiers, r and rp, either function names (X, A, C, etc.) or absolute names (names in parentheses in the table below, R0, R1, R2, etc.) can be used for description.

Table 34-1. Operand Identifiers and Specification Methods

Identifier	Description Method
r	X (R0), A (R1), C (R2), B (R3), E (R4), D (R5), L (R6), H (R7)
rp	AX (RP0), BC (RP1), DE (RP2), HL (RP3)
sfr	Special-function register symbol (SFR symbol) FFF00H to FFFFFH
sfrp	Special-function register symbols (16-bit manipulatable SFR symbol. Even addresses only ^{Note}) FFF00H to FFFFFH
saddr	FFE20H to FFF1FH Immediate data or labels
saddrp	FFE20H to FF1FH Immediate data or labels (even addresses only ^{Note})
addr20	00000H to FFFFFH Immediate data or labels
addr16	0000H to FFFFH Immediate data or labels (only even addresses for 16-bit data transfer instructions ^{Note})
addr5	0080H to 00BFH Immediate data or labels (even addresses only)
word	16-bit immediate data or label
byte	8-bit immediate data or label
bit	3-bit immediate data or label
RBn	RB0 to RB3

Note Bit 0 = 0 when an odd address is specified.

Remark The special function registers can be described to operand sfr as symbols. See **Table 3-5 SFR List** for the symbols of the special function registers. The extended special function registers can be described to operand !addr16 as symbols. See **Table 3-6 Extended SFR (2nd SFR) List** for the symbols of the extended special function registers.

34.1.2 Description of operation column

The operation when the instruction is executed is shown in the “Operation” column using the following symbols.

Table 34-2. Symbols in “Operation” Column

Symbol	Function
A	A register; 8-bit accumulator
X	X register
B	B register
C	C register
D	D register
E	E register
H	H register
L	L register
ES	ES register
CS	CS register
AX	AX register pair; 16-bit accumulator
BC	BC register pair
DE	DE register pair
HL	HL register pair
PC	Program counter
SP	Stack pointer
PSW	Program status word
CY	Carry flag
AC	Auxiliary carry flag
Z	Zero flag
RBS	Register bank select flag
IE	Interrupt request enable flag
()	Memory contents indicated by address or register contents in parentheses
X _H , X _L	16-bit registers: X _H = higher 8 bits, X _L = lower 8 bits
X _S , X _H , X _L	20-bit registers: X _S = (bits 19 to 16), X _H = (bits 15 to 8), X _L = (bits 7 to 0)
∧	Logical product (AND)
∨	Logical sum (OR)
⊕	Exclusive logical sum (exclusive OR)
—	Inverted data
addr5	16-bit immediate data (even addresses only in 0080H to 00BFH)
addr16	16-bit immediate data
addr20	20-bit immediate data
jdisp8	Signed 8-bit data (displacement value)
jdisp16	Signed 16-bit data (displacement value)

34.1.3 Description of flag operation column

The change of the flag value when the instruction is executed is shown in the “Flag” column using the following symbols.

Table 34-3. Symbols in “Flag” Column

Symbol	Change of Flag Value
(Blank)	Unchanged
0	Cleared to 0
1	Set to 1
×	Set/cleared according to the result
R	Previously saved value is restored

34.1.4 PREFIX instruction

Instructions with “ES:” have a PREFIX operation code as a prefix to extend the accessible data area to the 1 MB space (00000H to FFFFFH), by adding the ES register value to the 64 KB space from F0000H to FFFFFH. When a PREFIX operation code is attached as a prefix to the target instruction, only one instruction immediately after the PREFIX operation code is executed as the addresses with the ES register value added.

An interrupt and DTC transfer are not acknowledged between a PREFIX instruction code and the instruction immediately after.

Table 34-4. Use Example of PREFIX Operation Code

Instruction	Opcode				
	1	2	3	4	5
MOV !addr16, #byte	CFH	!addr16		#byte	–
MOV ES:!addr16, #byte	11H	CFH	!addr16		#byte
MOV A, [HL]	8BH	–	–	–	–
MOV A, ES:[HL]	11H	8BH	–	–	–

Caution Set the ES register value with MOV ES, A, etc., before executing the PREFIX instruction.

34.2 Operation List

Table 34-5. Operation List (1/18)

Instruction Group	Mnemonic	Operands	Bytes	Clocks		Clocks	Flag		
				Note 1	Note 2		Z	AC	CY
8-bit data transfer	MOV	r, #byte	2	1	–	r ← byte			
		PSW, #byte	3	3	–	PSW ← byte	×	×	×
		CS, #byte	3	1	–	CS ← byte			
		ES, #byte	2	1	–	ES ← byte			
		laddr16, #byte	4	1	–	(addr16) ← byte			
		ES:laddr16, #byte	5	2	–	(ES, addr16) ← byte			
		saddr, #byte	3	1	–	(saddr) ← byte			
		sfr, #byte	3	1	–	sfr ← byte			
		[DE+byte], #byte	3	1	–	(DE+byte) ← byte			
		ES:[DE+byte],#byte	4	2	–	((ES, DE)+byte) ← byte			
		[HL+byte], #byte	3	1	–	(HL+byte) ← byte			
		ES:[HL+byte],#byte	4	2	–	((ES, HL)+byte) ← byte			
		[SP+byte], #byte	3	1	–	(SP+byte) ← byte			
		word[B], #byte	4	1	–	(B+word) ← byte			
		ES:word[B], #byte	5	2	–	((ES, B)+word) ← byte			
		word[C], #byte	4	1	–	(C+word) ← byte			
		ES:word[C], #byte	5	2	–	((ES, C)+word) ← byte			
		word[BC], #byte	4	1	–	(BC+word) ← byte			
		ES:word[BC], #byte	5	2	–	((ES, BC)+word) ← byte			
		A, r ^{Note 3}	1	1	–	A ← r			
		r, A ^{Note 3}	1	1	–	r ← A			
		A, PSW	2	1	–	A ← PSW			
		PSW, A	2	3	–	PSW ← A	×	×	×
		A, CS	2	1	–	A ← CS			
		CS, A	2	1	–	CS ← A			
		A, ES	2	1	–	A ← ES			
		ES, A	2	1	–	ES ← A			
		A, laddr16	3	1	4	A ← (addr16)			
A, ES:laddr16	4	2	5	A ← (ES, addr16)					
laddr16, A	3	1	–	(addr16) ← A					
ES:laddr16, A	4	2	–	(ES, addr16) ← A					
A, saddr	2	1	–	A ← (saddr)					
saddr, A	2	1	–	(saddr) ← A					

- Notes 1.** Number of CPU clocks (f_{CLK}) when the internal RAM area, SFR area, or extended SFR area is accessed, or when no data is accessed.
- 2.** Number of CPU clocks (f_{CLK}) when the program memory area is accessed.
- 3.** Except r = A

Remark Number of clock is when program exists in the internal ROM (flash memory) area. If fetching the instruction from the internal RAM area, the number becomes double number plus 3 clocks at a maximum.

Table 34-5. Operation List (2/18)

Instruction Group	Mnemonic	Operands	Bytes	Clocks		Clocks	Flag		
				Note 1	Note 2		Z	AC	CY
8-bit data transfer	MOV	A, sfr	2	1	–	$A \leftarrow \text{sfr}$			
		sfr, A	2	1	–	$\text{sfr} \leftarrow A$			
		A, [DE]	1	1	4	$A \leftarrow (\text{DE})$			
		[DE], A	1	1	–	$(\text{DE}) \leftarrow A$			
		A, ES:[DE]	2	2	5	$A \leftarrow (\text{ES}, \text{DE})$			
		ES:[DE], A	2	2	–	$(\text{ES}, \text{DE}) \leftarrow A$			
		A, [HL]	1	1	4	$A \leftarrow (\text{HL})$			
		[HL], A	1	1	–	$(\text{HL}) \leftarrow A$			
		A, ES:[HL]	2	2	5	$A \leftarrow (\text{ES}, \text{HL})$			
		ES:[HL], A	2	2	–	$(\text{ES}, \text{HL}) \leftarrow A$			
		A, [DE+byte]	2	1	4	$A \leftarrow (\text{DE} + \text{byte})$			
		[DE+byte], A	2	1	–	$(\text{DE} + \text{byte}) \leftarrow A$			
		A, ES:[DE+byte]	3	2	5	$A \leftarrow ((\text{ES}, \text{DE}) + \text{byte})$			
		ES:[DE+byte], A	3	2	–	$((\text{ES}, \text{DE}) + \text{byte}) \leftarrow A$			
		A, [HL+byte]	2	1	4	$A \leftarrow (\text{HL} + \text{byte})$			
		[HL+byte], A	2	1	–	$(\text{HL} + \text{byte}) \leftarrow A$			
		A, ES:[HL+byte]	3	2	5	$A \leftarrow ((\text{ES}, \text{HL}) + \text{byte})$			
		ES:[HL+byte], A	3	2	–	$((\text{ES}, \text{HL}) + \text{byte}) \leftarrow A$			
		A, [SP+byte]	2	1	–	$A \leftarrow (\text{SP} + \text{byte})$			
		[SP+byte], A	2	1	–	$(\text{SP} + \text{byte}) \leftarrow A$			
		A, word[B]	3	1	4	$A \leftarrow (\text{B} + \text{word})$			
		word[B], A	3	1	–	$(\text{B} + \text{word}) \leftarrow A$			
		A, ES:word[B]	4	2	5	$A \leftarrow ((\text{ES}, \text{B}) + \text{word})$			
		ES:word[B], A	4	2	–	$((\text{ES}, \text{B}) + \text{word}) \leftarrow A$			
		A, word[C]	3	1	4	$A \leftarrow (\text{C} + \text{word})$			
		word[C], A	3	1	–	$(\text{C} + \text{word}) \leftarrow A$			
		A, ES:word[C]	4	2	5	$A \leftarrow ((\text{ES}, \text{C}) + \text{word})$			
		ES:word[C], A	4	2	–	$((\text{ES}, \text{C}) + \text{word}) \leftarrow A$			
		A, word[BC]	3	1	4	$A \leftarrow (\text{BC} + \text{word})$			
		word[BC], A	3	1	–	$(\text{BC} + \text{word}) \leftarrow A$			
		A, ES:word[BC]	4	2	5	$A \leftarrow ((\text{ES}, \text{BC}) + \text{word})$			
		ES:word[BC], A	4	2	–	$((\text{ES}, \text{BC}) + \text{word}) \leftarrow A$			

- Notes 1.** Number of CPU clocks (f_{CLK}) when the internal RAM area, SFR area, or extended SFR area is accessed, or when no data is accessed.
- 2.** Number of CPU clocks (f_{CLK}) when the program memory area is accessed.

Remark Number of clock is when program exists in the internal ROM (flash memory) area. If fetching the instruction from the internal RAM area, the number becomes double number plus 3 clocks at a maximum.

Table 34-5. Operation List (3/18)

Instruction Group	Mnemonic	Operands	Bytes	Clocks		Clocks	Flag		
				Note 1	Note 2		Z	AC	CY
8-bit data transfer	MOV	A, [HL+B]	2	1	4	$A \leftarrow (HL + B)$			
		[HL+B], A	2	1	-	$(HL + B) \leftarrow A$			
		A, ES:[HL+B]	3	2	5	$A \leftarrow ((ES, HL) + B)$			
		ES:[HL+B], A	3	2	-	$((ES, HL) + B) \leftarrow A$			
		A, [HL+C]	2	1	4	$A \leftarrow (HL + C)$			
		[HL+C], A	2	1	-	$(HL + C) \leftarrow A$			
		A, ES:[HL+C]	3	2	5	$A \leftarrow ((ES, HL) + C)$			
		ES:[HL+C], A	3	2	-	$((ES, HL) + C) \leftarrow A$			
		X, laddr16	3	1	4	$X \leftarrow (addr16)$			
		X, ES:laddr16	4	2	5	$X \leftarrow (ES, addr16)$			
		X, saddr	2	1	-	$X \leftarrow (saddr)$			
		B, laddr16	3	1	4	$B \leftarrow (addr16)$			
		B, ES:laddr16	4	2	5	$B \leftarrow (ES, addr16)$			
		B, saddr	2	1	-	$B \leftarrow (saddr)$			
		C, laddr16	3	1	4	$C \leftarrow (addr16)$			
		C, ES:laddr16	4	2	5	$C \leftarrow (ES, addr16)$			
		C, saddr	2	1	-	$C \leftarrow (saddr)$			
	ES, saddr	3	1	-	$ES \leftarrow (saddr)$				
	XCH	A, r ^{Note 3}	1 (r = X) 2 (other than r = X)	1	-	$A \leftrightarrow r$			
		A, laddr16	4	2	-	$A \leftrightarrow (addr16)$			
		A, ES:laddr16	5	3	-	$A \leftrightarrow (ES, addr16)$			
		A, saddr	3	2	-	$A \leftrightarrow (saddr)$			
		A, sfr	3	2	-	$A \leftrightarrow sfr$			
		A, [DE]	2	2	-	$A \leftrightarrow (DE)$			
		A, ES:[DE]	3	3	-	$A \leftrightarrow (ES, DE)$			
		A, [HL]	2	2	-	$A \leftrightarrow (HL)$			
		A, ES:[HL]	3	3	-	$A \leftrightarrow (ES, HL)$			
		A, [DE+byte]	3	2	-	$A \leftrightarrow (DE + byte)$			
A, ES:[DE+byte]		4	3	-	$A \leftrightarrow ((ES, DE) + byte)$				
A, [HL+byte]	3	2	-	$A \leftrightarrow (HL + byte)$					
A, ES:[HL+byte]	4	3	-	$A \leftrightarrow ((ES, HL) + byte)$					

- Notes 1.** Number of CPU clocks (f_{CLK}) when the internal RAM area, SFR area, or extended SFR area is accessed, or when no data is accessed.
- 2.** Number of CPU clocks (f_{CLK}) when the program memory area is accessed.
- 3.** Except $r = A$

Remark Number of clock is when program exists in the internal ROM (flash memory) area. If fetching the instruction from the internal RAM area, the number becomes double number plus 3 clocks at a maximum.

Table 34-5. Operation List (4/18)

Instruction Group	Mnemonic	Operands	Bytes	Clocks		Clocks	Flag		
				Note 1	Note 2		Z	AC	CY
8-bit data transfer	XCH	A, [HL+B]	2	2	–	$A \leftrightarrow (HL+B)$			
		A, ES:[HL+B]	3	3	–	$A \leftrightarrow ((ES, HL)+B)$			
		A, [HL+C]	2	2	–	$A \leftrightarrow (HL+C)$			
		A, ES:[HL+C]	3	3	–	$A \leftrightarrow ((ES, HL)+C)$			
	ONEB	A	1	1	–	$A \leftarrow 01H$			
		X	1	1	–	$X \leftarrow 01H$			
		B	1	1	–	$B \leftarrow 01H$			
		C	1	1	–	$C \leftarrow 01H$			
		laddr16	3	1	–	$(addr16) \leftarrow 01H$			
		ES:laddr16	4	2	–	$(ES, addr16) \leftarrow 01H$			
		saddr	2	1	–	$(saddr) \leftarrow 01H$			
	CLRB	A	1	1	–	$A \leftarrow 00H$			
		X	1	1	–	$X \leftarrow 00H$			
		B	1	1	–	$B \leftarrow 00H$			
		C	1	1	–	$C \leftarrow 00H$			
		laddr16	3	1	–	$(addr16) \leftarrow 00H$			
		ES:laddr16	4	2	–	$(ES, addr16) \leftarrow 00H$			
		saddr	2	1	–	$(saddr) \leftarrow 00H$			
	MOVS	[HL+byte], X	3	1	–	$(HL+byte) \leftarrow X$	x		x
		ES:[HL+byte], X	4	2	–	$(ES, HL+byte) \leftarrow X$	x		x
	16-bit data transfer	MOVW	rp, #word	3	1	–	$rp \leftarrow word$		
saddrp, #word			4	1	–	$(saddrp) \leftarrow word$			
sfrp, #word			4	1	–	$sfrp \leftarrow word$			
AX, rp ^{Note 3}			1	1	–	$AX \leftarrow rp$			
rp, AX ^{Note 3}			1	1	–	$rp \leftarrow AX$			
AX, laddr16			3	1	4	$AX \leftarrow (addr16)$			
laddr16, AX			3	1	–	$(addr16) \leftarrow AX$			
AX, ES:laddr16			4	2	5	$AX \leftarrow (ES, addr16)$			
ES:laddr16, AX			4	2	–	$(ES, addr16) \leftarrow AX$			
AX, saddrp			2	1	–	$AX \leftarrow (saddrp)$			
saddrp, AX			2	1	–	$(saddrp) \leftarrow AX$			
AX, sfrp			2	1	–	$AX \leftarrow sfrp$			
sfrp, AX			2	1	–	$sfrp \leftarrow AX$			

- Notes 1.** Number of CPU clocks (f_{CLK}) when the internal RAM area, SFR area, or extended SFR area is accessed, or when no data is accessed.
- 2.** Number of CPU clocks (f_{CLK}) when the program memory area is accessed.
- 3.** Except $rp = AX$

Remark Number of clock is when program exists in the internal ROM (flash memory) area. If fetching the instruction from the internal RAM area, the number becomes double number plus 3 clocks at a maximum.

Table 34-5. Operation List (5/18)

Instruction Group	Mnemonic	Operands	Bytes	Clocks		Clocks	Flag		
				Note 1	Note 2		Z	AC	CY
16-bit data transfer	MOVW	AX, [DE]	1	1	4	AX ← (DE)			
		[DE], AX	1	1	–	(DE) ← AX			
		AX, ES:[DE]	2	2	5	AX ← (ES, DE)			
		ES:[DE], AX	2	2	–	(ES, DE) ← AX			
		AX, [HL]	1	1	4	AX ← (HL)			
		[HL], AX	1	1	–	(HL) ← AX			
		AX, ES:[HL]	2	2	5	AX ← (ES, HL)			
		ES:[HL], AX	2	2	–	(ES, HL) ← AX			
		AX, [DE+byte]	2	1	4	AX ← (DE+byte)			
		[DE+byte], AX	2	1	–	(DE+byte) ← AX			
		AX, ES:[DE+byte]	3	2	5	AX ← ((ES, DE) + byte)			
		ES:[DE+byte], AX	3	2	–	((ES, DE) + byte) ← AX			
		AX, [HL+byte]	2	1	4	AX ← (HL + byte)			
		[HL+byte], AX	2	1	–	(HL + byte) ← AX			
		AX, ES:[HL+byte]	3	2	5	AX ← ((ES, HL) + byte)			
		ES:[HL+byte], AX	3	2	–	((ES, HL) + byte) ← AX			
		AX, [SP+byte]	2	1	–	AX ← (SP + byte)			
		[SP+byte], AX	2	1	–	(SP + byte) ← AX			
		AX, word[B]	3	1	4	AX ← (B + word)			
		word[B], AX	3	1	–	(B+ word) ← AX			
		AX, ES:word[B]	4	2	5	AX ← ((ES, B) + word)			
		ES:word[B], AX	4	2	–	((ES, B) + word) ← AX			
		AX, word[C]	3	1	4	AX ← (C + word)			
		word[C], AX	3	1	–	(C + word) ← AX			
		AX, ES:word[C]	4	2	5	AX ← ((ES, C) + word)			
		ES:word[C], AX	4	2	–	((ES, C) + word) ← AX			
		AX, word[BC]	3	1	4	AX ← (BC + word)			
		word[BC], AX	3	1	–	(BC + word) ← AX			
AX, ES:word[BC]	4	2	5	AX ← ((ES, BC) + word)					
ES:word[BC], AX	4	2	–	((ES, BC) + word) ← AX					

- Notes 1.** Number of CPU clocks (f_{CLK}) when the internal RAM area, SFR area, or extended SFR area is accessed, or when no data is accessed.
- 2.** Number of CPU clocks (f_{CLK}) when the program memory area is accessed.

Remark Number of clock is when program exists in the internal ROM (flash memory) area. If fetching the instruction from the internal RAM area, the number becomes double number plus 3 clocks at a maximum.

Table 34-5. Operation List (6/18)

Instruction Group	Mnemonic	Operands	Bytes	Clocks		Clocks	Flag		
				Note 1	Note 2		Z	AC	CY
16-bit data transfer	MOVW	BC, !addr16	3	1	4	BC ← (addr16)			
		BC, ES:!addr16	4	2	5	BC ← (ES, addr16)			
		DE, !addr16	3	1	4	DE ← (addr16)			
		DE, ES:!addr16	4	2	5	DE ← (ES, addr16)			
		HL, !addr16	3	1	4	HL ← (addr16)			
		HL, ES:!addr16	4	2	5	HL ← (ES, addr16)			
		BC, saddrp	2	1	–	BC ← (saddrp)			
		DE, saddrp	2	1	–	DE ← (saddrp)			
	HL, saddrp	2	1	–	HL ← (saddrp)				
	XCHW	AX, rp ^{Note 3}	1	1	–	AX ↔ rp			
	ONEW	AX	1	1	–	AX ← 0001H			
		BC	1	1	–	BC ← 0001H			
	CLRW	AX	1	1	–	AX ← 0000H			
		BC	1	1	–	BC ← 0000H			
8-bit operation	ADD	A, #byte	2	1	–	A, CY ← A + byte	x	x	x
		saddr, #byte	3	2	–	(saddr), CY ← (saddr)+byte	x	x	x
		A, r ^{Note 4}	2	1	–	A, CY ← A + r	x	x	x
		r, A	2	1	–	r, CY ← r + A	x	x	x
		A, !addr16	3	1	4	A, CY ← A + (addr16)	x	x	x
		A, ES:!addr16	4	2	5	A, CY ← A + (ES, addr16)	x	x	x
		A, saddr	2	1	–	A, CY ← A + (saddr)	x	x	x
		A, [HL]	1	1	4	A, CY ← A + (HL)	x	x	x
		A, ES:[HL]	2	2	5	A, CY ← A + (ES, HL)	x	x	x
		A, [HL+byte]	2	1	4	A, CY ← A + (HL+byte)	x	x	x
		A, ES:[HL+byte]	3	2	5	A, CY ← A + ((ES, HL)+byte)	x	x	x
		A, [HL+B]	2	1	4	A, CY ← A + (HL+B)	x	x	x
		A, ES:[HL+B]	3	2	5	A, CY ← A + ((ES, HL)+B)	x	x	x
		A, [HL+C]	2	1	4	A, CY ← A + (HL+C)	x	x	x
A, ES:[HL+C]	3	2	5	A, CY ← A + ((ES, HL) + C)	x	x	x		

Notes 1. Number of CPU clocks (f_{CLK}) when the internal RAM area, SFR area, or extended SFR area is accessed, or when no data is accessed.

2. Number of CPU clocks (f_{CLK}) when the program memory area is accessed.

3. Except $rp = AX$

4. Except $r = A$

Remark Number of clock is when program exists in the internal ROM (flash memory) area. If fetching the instruction from the internal RAM area, the number becomes double number plus 3 clocks at a maximum.

Table 34-5. Operation List (7/18)

Instruction Group	Mnemonic	Operands	Bytes	Clocks		Clocks	Flag		
				Note 1	Note 2		Z	AC	CY
8-bit operation	ADDC	A, #byte	2	1	–	A, CY ← A+byte+CY	x	x	x
		saddr, #byte	3	2	–	(saddr), CY ← (saddr) +byte+CY	x	x	x
		A, r ^{Note 3}	2	1	–	A, CY ← A + r + CY	x	x	x
		r, A	2	1	–	r, CY ← r + A + CY	x	x	x
		A, laddr16	3	1	4	A, CY ← A + (addr16)+CY	x	x	x
		A, ES:laddr16	4	2	5	A, CY ← A + (ES, addr16)+CY	x	x	x
		A, saddr	2	1	–	A, CY ← A + (saddr)+CY	x	x	x
		A, [HL]	1	1	4	A, CY ← A+ (HL) + CY	x	x	x
		A, ES:[HL]	2	2	5	A,CY ← A+ (ES, HL) + CY	x	x	x
		A, [HL+byte]	2	1	4	A, CY ← A+ (HL+byte) + CY	x	x	x
		A, ES:[HL+byte]	3	2	5	A,CY ← A+ ((ES, HL)+byte) + CY	x	x	x
		A, [HL+B]	2	1	4	A, CY ← A+ (HL+B) +CY	x	x	x
		A, ES:[HL+B]	3	2	5	A,CY ← A+((ES, HL)+B)+CY	x	x	x
		A, [HL+C]	2	1	4	A, CY ← A+ (HL+C)+CY	x	x	x
	A, ES:[HL+C]	3	2	5	A,CY ← A+ ((ES, HL)+C)+CY	x	x	x	
	SUB	A, #byte	2	1	–	A, CY ← A – byte	x	x	x
		saddr, #byte	3	2	–	(saddr), CY ← (saddr) – byte	x	x	x
		A, r ^{Note 3}	2	1	–	A, CY ← A – r	x	x	x
		r, A	2	1	–	r, CY ← r – A	x	x	x
		A, laddr16	3	1	4	A, CY ← A – (addr16)	x	x	x
		A, ES:laddr16	4	2	5	A, CY ← A – (ES, addr16)	x	x	x
		A, saddr	2	1	–	A, CY ← A – (saddr)	x	x	x
		A, [HL]	1	1	4	A, CY ← A – (HL)	x	x	x
		A, ES:[HL]	2	2	5	A,CY ← A – (ES, HL)	x	x	x
		A, [HL+byte]	2	1	4	A, CY ← A – (HL+byte)	x	x	x
		A, ES:[HL+byte]	3	2	5	A,CY ← A – ((ES, HL)+byte)	x	x	x
		A, [HL+B]	2	1	4	A, CY ← A – (HL+B)	x	x	x
		A, ES:[HL+B]	3	2	5	A,CY ← A – ((ES, HL)+B)	x	x	x
A, [HL+C]		2	1	4	A, CY ← A – (HL+C)	x	x	x	
A, ES:[HL+C]	3	2	5	A,CY ← A – ((ES, HL)+C)	x	x	x		

- Notes**
1. Number of CPU clocks (f_{CLK}) when the internal RAM area, SFR area, or extended SFR area is accessed, or when no data is accessed.
 2. Number of CPU clocks (f_{CLK}) when the program memory area is accessed.
 3. Except $r = A$

Remark Number of clock is when program exists in the internal ROM (flash memory) area. If fetching the instruction from the internal RAM area, the number becomes double number plus 3 clocks at a maximum.

Table 34-5. Operation List (8/18)

Instruction Group	Mnemonic	Operands	Bytes	Clocks		Clocks	Flag		
				Note 1	Note 2		Z	AC	CY
8-bit operation	SUBC	A, #byte	2	1	–	A, CY ← A – byte – CY	x	x	x
		saddr, #byte	3	2	–	(saddr), CY ← (saddr) – byte – CY	x	x	x
		A, r ^{Note 3}	2	1	–	A, CY ← A – r – CY	x	x	x
		r, A	2	1	–	r, CY ← r – A – CY	x	x	x
		A, laddr16	3	1	4	A, CY ← A – (addr16) – CY	x	x	x
		A, ES:laddr16	4	2	5	A, CY ← A – (ES, addr16) – CY	x	x	x
		A, saddr	2	1	–	A, CY ← A – (saddr) – CY	x	x	x
		A, [HL]	1	1	4	A, CY ← A – (HL) – CY	x	x	x
		A, ES:[HL]	2	2	5	A, CY ← A – (ES, HL) – CY	x	x	x
		A, [HL+byte]	2	1	4	A, CY ← A – (HL+byte) – CY	x	x	x
		A, ES:[HL+byte]	3	2	5	A, CY ← A – ((ES, HL)+byte) – CY	x	x	x
		A, [HL+B]	2	1	4	A, CY ← A – (HL+B) – CY	x	x	x
		A, ES:[HL+B]	3	2	5	A, CY ← A – ((ES, HL)+B) – CY	x	x	x
		A, [HL+C]	2	1	4	A, CY ← A – (HL+C) – CY	x	x	x
		A, ES:[HL+C]	3	2	5	A, CY ← A – ((ES:HL)+C) – CY	x	x	x
	AND	A, #byte	2	1	–	A ← A ∧ byte	x		
		saddr, #byte	3	2	–	(saddr) ← (saddr) ∧ byte	x		
		A, r ^{Note 3}	2	1	–	A ← A ∧ r	x		
		r, A	2	1	–	R ← r ∧ A	x		
		A, laddr16	3	1	4	A ← A ∧ (addr16)	x		
		A, ES:laddr16	4	2	5	A ← A ∧ (ES:addr16)	x		
		A, saddr	2	1	–	A ← A ∧ (saddr)	x		
		A, [HL]	1	1	4	A ← A ∧ (HL)	x		
		A, ES:[HL]	2	2	5	A ← A ∧ (ES:HL)	x		
		A, [HL+byte]	2	1	4	A ← A ∧ (HL+byte)	x		
		A, ES:[HL+byte]	3	2	5	A ← A ∧ ((ES:HL)+byte)	x		
		A, [HL+B]	2	1	4	A ← A ∧ (HL+B)	x		
		A, ES:[HL+B]	3	2	5	A ← A ∧ ((ES:HL)+B)	x		
A, [HL+C]	2	1	4	A ← A ∧ (HL+C)	x				
A, ES:[HL+C]	3	2	5	A ← A ∧ ((ES:HL)+C)	x				

- Notes**
1. Number of CPU clocks (f_{CLK}) when the internal RAM area, SFR area, or extended SFR area is accessed, or when no data is accessed.
 2. Number of CPU clocks (f_{CLK}) when the program memory area is accessed.
 3. Except $r = A$

Remark Number of clock is when program exists in the internal ROM (flash memory) area. If fetching the instruction from the internal RAM area, the number becomes double number plus 3 clocks at a maximum.

Table 34-5. Operation List (9/18)

Instruction Group	Mnemonic	Operands	Bytes	Clocks		Clocks	Flag		
				Note 1	Note 2		Z	AC	CY
8-bit operation	OR	A, #byte	2	1	–	$A \leftarrow A \vee \text{byte}$	x		
		saddr, #byte	3	2	–	$(\text{saddr}) \leftarrow (\text{saddr}) \vee \text{byte}$	x		
		A, r ^{Note 3}	2	1	–	$A \leftarrow A \vee r$	x		
		r, A	2	1	–	$r \leftarrow r \vee A$	x		
		A, laddr16	3	1	4	$A \leftarrow A \vee (\text{addr}16)$	x		
		A, ES:laddr16	4	2	5	$A \leftarrow A \vee (\text{ES}:\text{addr}16)$	x		
		A, saddr	2	1	–	$A \leftarrow A \vee (\text{saddr})$	x		
		A, [HL]	1	1	4	$A \leftarrow A \vee (\text{H})$	x		
		A, ES:[HL]	2	2	5	$A \leftarrow A \vee (\text{ES}:\text{HL})$	x		
		A, [HL+byte]	2	1	4	$A \leftarrow A \vee (\text{HL}+\text{byte})$	x		
		A, ES:[HL+byte]	3	2	5	$A \leftarrow A \vee ((\text{ES}:\text{HL})+\text{byte})$	x		
		A, [HL+B]	2	1	4	$A \leftarrow A \vee (\text{HL}+\text{B})$	x		
		A, ES:[HL+B]	3	2	5	$A \leftarrow A \vee ((\text{ES}:\text{HL})+\text{B})$	x		
		A, [HL+C]	2	1	4	$A \leftarrow A \vee (\text{HL}+\text{C})$	x		
	A, ES:[HL+C]	3	2	5	$A \leftarrow A \vee ((\text{ES}:\text{HL})+\text{C})$	x			
	XOR	A, #byte	2	1	–	$A \leftarrow A \oplus \text{byte}$	x		
		saddr, #byte	3	2	–	$(\text{saddr}) \leftarrow (\text{saddr}) \oplus \text{byte}$	x		
		A, r ^{Note 3}	2	1	–	$A \leftarrow A \oplus r$	x		
		r, A	2	1	–	$r \leftarrow r \oplus A$	x		
		A, laddr16	3	1	4	$A \leftarrow A \oplus (\text{addr}16)$	x		
		A, ES:laddr16	4	2	5	$A \leftarrow A \oplus (\text{ES}:\text{addr}16)$	x		
		A, saddr	2	1	–	$A \leftarrow A \oplus (\text{saddr})$	x		
		A, [HL]	1	1	4	$A \leftarrow A \oplus (\text{HL})$	x		
		A, ES:[HL]	2	2	5	$A \leftarrow A \oplus (\text{ES}:\text{HL})$	x		
		A, [HL+byte]	2	1	4	$A \leftarrow A \oplus (\text{HL}+\text{byte})$	x		
		A, ES:[HL+byte]	3	2	5	$A \leftarrow A \oplus ((\text{ES}:\text{HL})+\text{byte})$	x		
		A, [HL+B]	2	1	4	$A \leftarrow A \oplus (\text{HL}+\text{B})$	x		
		A, ES:[HL+B]	3	2	5	$A \leftarrow A \oplus ((\text{ES}:\text{HL})+\text{B})$	x		
A, [HL+C]		2	1	4	$A \leftarrow A \oplus (\text{HL}+\text{C})$	x			
A, ES:[HL+C]	3	2	5	$A \leftarrow A \oplus ((\text{ES}:\text{HL})+\text{C})$	x				

- Notes**
1. Number of CPU clocks (f_{CLK}) when the internal RAM area, SFR area, or extended SFR area is accessed, or when no data is accessed.
 2. Number of CPU clocks (f_{CLK}) when the program memory area is accessed.
 3. Except r = A

Remark Number of clock is when program exists in the internal ROM (flash memory) area. If fetching the instruction from the internal RAM area, the number becomes double number plus 3 clocks at a maximum.

Table 34-5. Operation List (10/18)

Instruction Group	Mnemonic	Operands	Bytes	Clocks		Clocks	Flag		
				Note 1	Note 2		Z	AC	CY
8-bit operation	CMP	A, #byte	2	1	–	A – byte	x	x	x
		!addr16, #byte	4	1	4	(addr16) – byte	x	x	x
		ES:!addr16, #byte	5	2	5	(ES:addr16) – byte	x	x	x
		saddr, #byte	3	1	–	(saddr) – byte	x	x	x
		A, r ^{Note3}	2	1	–	A – r	x	x	x
		r, A	2	1	–	r – A	x	x	x
		A, !addr16	3	1	4	A – (addr16)	x	x	x
		A, ES:!addr16	4	2	5	A – (ES:addr16)	x	x	x
		A, saddr	2	1	–	A – (saddr)	x	x	x
		A, [HL]	1	1	4	A – (HL)	x	x	x
		A, ES:[HL]	2	2	5	A – (ES:HL)	x	x	x
		A, [HL+byte]	2	1	4	A – (HL+byte)	x	x	x
		A, ES:[HL+byte]	3	2	5	A – ((ES:HL)+byte)	x	x	x
		A, [HL+B]	2	1	4	A – (HL+B)	x	x	x
		A, ES:[HL+B]	3	2	5	A – ((ES:HL)+B)	x	x	x
		A, [HL+C]	2	1	4	A – (HL+C)	x	x	x
	A, ES:[HL+C]	3	2	5	A – ((ES:HL)+C)	x	x	x	
	CMP0	A	1	1	–	A – 00H	x	x	x
		X	1	1	–	X – 00H	x	x	x
		B	1	1	–	B – 00H	x	x	x
		C	1	1	–	C – 00H	x	x	x
		!addr16	3	1	4	(addr16) – 00H	x	x	x
		ES:!addr16	4	2	5	(ES:addr16) – 00H	x	x	x
		saddr	2	1	–	(saddr) – 00H	x	x	x
	CMPS	X, [HL+byte]	3	1	4	X – (HL+byte)	x	x	x
		X, ES:[HL+byte]	4	2	5	X – ((ES:HL)+byte)	x	x	x

- Notes**
1. Number of CPU clocks (f_{CLK}) when the internal RAM area, SFR area, or extended SFR area is accessed, or when no data is accessed.
 2. Number of CPU clocks (f_{CLK}) when the program memory area is accessed.
 3. Except r = A

Remark Number of clock is when program exists in the internal ROM (flash memory) area. If fetching the instruction from the internal RAM area, the number becomes double number plus 3 clocks at a maximum.

Table 34-5. Operation List (11/18)

Instruction Group	Mnemonic	Operands	Bytes	Clocks		Clocks	Flag		
				Note 1	Note 2		Z	AC	CY
16-bit operation	ADDW	AX, #word	3	1	–	AX, CY ← AX+word	x	x	x
		AX, AX	1	1	–	AX, CY ← AX+AX	x	x	x
		AX, BC	1	1	–	AX, CY ← AX+BC	x	x	x
		AX, DE	1	1	–	AX, CY ← AX+DE	x	x	x
		AX, HL	1	1	–	AX, CY ← AX+HL	x	x	x
		AX, !addr16	3	1	4	AX, CY ← AX+(addr16)	x	x	x
		AX, ES:laddr16	4	2	5	AX, CY ← AX+(ES:addr16)	x	x	x
		AX, saddrp	2	1	–	AX, CY ← AX+(saddrp)	x	x	x
		AX, [HL+byte]	3	1	4	AX, CY ← AX+(HL+byte)	x	x	x
	AX, ES: [HL+byte]	4	2	5	AX, CY ← AX+((ES:HL)+byte)	x	x	x	
	SUBW	AX, #word	3	1	–	AX, CY ← AX – word	x	x	x
		AX, BC	1	1	–	AX, CY ← AX – BC	x	x	x
		AX, DE	1	1	–	AX, CY ← AX – DE	x	x	x
		AX, HL	1	1	–	AX, CY ← AX – HL	x	x	x
		AX, !addr16	3	1	4	AX, CY ← AX – (addr16)	x	x	x
		AX, ES:laddr16	4	2	5	AX, CY ← AX – (ES:addr16)	x	x	x
		AX, saddrp	2	1	–	AX, CY ← AX – (saddrp)	x	x	x
		AX, [HL+byte]	3	1	4	AX, CY ← AX – (HL+byte)	x	x	x
		AX, ES: [HL+byte]	4	2	5	AX, CY ← AX – ((ES:HL)+byte)	x	x	x
	CMPW	AX, #word	3	1	–	AX – word	x	x	x
		AX, BC	1	1	–	AX – BC	x	x	x
		AX, DE	1	1	–	AX – DE	x	x	x
		AX, HL	1	1	–	AX – HL	x	x	x
		AX, !addr16	3	1	4	AX – (addr16)	x	x	x
		AX, ES:laddr16	4	2	5	AX – (ES:addr16)	x	x	x
		AX, saddrp	2	1	–	AX – (saddrp)	x	x	x
		AX, [HL+byte]	3	1	4	AX – (HL+byte)	x	x	x
AX, ES: [HL+byte]		4	2	5	AX – ((ES:HL)+byte)	x	x	x	
Multiply	MULU	X	1	1	–	AX ← AxX			

- Notes**
1. Number of CPU clocks (f_{CLK}) when the internal RAM area, SFR area, or extended SFR area is accessed, or when no data is accessed.
 2. Number of CPU clocks (f_{CLK}) when the program memory area is accessed.

Remark Number of clock is when program exists in the internal ROM (flash memory) area. If fetching the instruction from the internal RAM area, the number becomes double number plus 3 clocks at a maximum.

Table 34-5. Operation List (12/18)

Instruction Group	Mnemonic	Operands	Bytes	Clocks		Operation	Flag		
				Note 1	Note 2		Z	AC	CY
Multiply, Divide, Multiply & accumulate	MULU	X	1	1	–	$AX \leftarrow A \times X$			
	MULHU		3	2	–	$BCAX \leftarrow AX \times BC$ (unsigned)			
	MULH		3	2	–	$BCAX \leftarrow AX \times BC$ (signed)			
	DIVHU		3	9	–	AX (quotient), DE (remainder) $\leftarrow AX \div DE$ (unsigned)			
	DIVWU		3	17	–	BCAX (quotient), HLDE (remainder) $\leftarrow BCAX \div HLDE$ (unsigned)			
	MACHU		3	3	–	$MACR \leftarrow MACR + AX \times BC$ (unsigned)		x	x
	MACH		3	3	–	$MACR \leftarrow MACR + AX \times BC$ (signed)		x	x

- Notes**
1. Number of CPU clocks (f_{CLK}) when the internal RAM area, SFR area, or extended SFR area is accessed, or when no data is accessed.
 2. Number of CPU clocks (f_{CLK}) when the program memory area is accessed.

Caution Disable interrupts when executing the DIVHU or DIVWU instruction in an interrupt servicing routine. Alternatively, unless they are executed in the RAM area, note that execution of a DIVHU or DIVWU instruction is possible even with interrupts enabled as long as a NOP instruction is added immediately after the DIVHU or DIVWU instruction in the assembly language source code. The following compilers automatically add a NOP instruction immediately after any DIVHU or DIVWU instruction output during the build process.

- V. 1.71 and later versions of the CA78K0R (Renesas Electronics compiler), for both C and assembly language source code
- Service pack 1.40.6 and later versions of the EWRL78 (IAR compiler), for C language source code
- GNURL78 (KPIT compiler), for C language source code

- Remarks**
1. Number of clock is when program exists in the internal ROM (flash memory) area. If fetching the instruction from the internal RAM area, the number becomes double number plus 3 clocks at a maximum.
 2. MACR indicates the multiplication and accumulation register (MACRH, MACRL).

Table 34-5. Operation List (13/18)

Instruction Group	Mnemonic	Operands	Bytes	Clocks		Clocks	Flag		
				Note 1	Note 2		Z	AC	CY
Increment/ decrement	INC	r	1	1	–	$r \leftarrow r+1$	x	x	
		!addr16	3	2	–	$(addr16) \leftarrow (addr16)+1$	x	x	
		ES:!addr16	4	3	–	$(ES, addr16) \leftarrow (ES, addr16)+1$	x	x	
		saddr	2	2	–	$(saddr) \leftarrow (saddr)+1$	x	x	
		[HL+byte]	3	2	–	$(HL+byte) \leftarrow (HL+byte)+1$	x	x	
		ES: [HL+byte]	4	3	–	$((ES:HL)+byte) \leftarrow ((ES:HL)+byte)+1$	x	x	
	DEC	r	1	1	–	$r \leftarrow r - 1$	x	x	
		!addr16	3	2	–	$(addr16) \leftarrow (addr16) - 1$	x	x	
		ES:!addr16	4	3	–	$(ES, addr16) \leftarrow (ES, addr16) - 1$	x	x	
		saddr	2	2	–	$(saddr) \leftarrow (saddr) - 1$	x	x	
		[HL+byte]	3	2	–	$(HL+byte) \leftarrow (HL+byte) - 1$	x	x	
		ES: [HL+byte]	4	3	–	$((ES:HL)+byte) \leftarrow ((ES:HL)+byte) - 1$	x	x	
	INCW	rp	1	1	–	$rp \leftarrow rp+1$			
		!addr16	3	2	–	$(addr16) \leftarrow (addr16)+1$			
		ES:!addr16	4	3	–	$(ES, addr16) \leftarrow (ES, addr16)+1$			
		saddrp	2	2	–	$(saddrp) \leftarrow (saddrp)+1$			
		[HL+byte]	3	2	–	$(HL+byte) \leftarrow (HL+byte)+1$			
		ES: [HL+byte]	4	3	–	$((ES:HL)+byte) \leftarrow ((ES:HL)+byte)+1$			
	DECW	rp	1	1	–	$rp \leftarrow rp - 1$			
		!addr16	3	2	–	$(addr16) \leftarrow (addr16) - 1$			
		ES:!addr16	4	3	–	$(ES, addr16) \leftarrow (ES, addr16) - 1$			
		saddrp	2	2	–	$(saddrp) \leftarrow (saddrp) - 1$			
		[HL+byte]	3	2	–	$(HL+byte) \leftarrow (HL+byte) - 1$			
		ES: [HL+byte]	4	3	–	$((ES:HL)+byte) \leftarrow ((ES:HL)+byte) - 1$			
Shift	SHR	A, cnt	2	1	–	$(CY \leftarrow A_0, A_{m-1} \leftarrow A_m, A_7 \leftarrow 0) \times cnt$			x
	SHRW	AX, cnt	2	1	–	$(CY \leftarrow AX_0, AX_{m-1} \leftarrow AX_m, AX_{15} \leftarrow 0) \times cnt$			x
	SHL	A, cnt	2	1	–	$(CY \leftarrow A_7, A_m \leftarrow A_{m-1}, A_0 \leftarrow 0) \times cnt$			x
		B, cnt	2	1	–	$(CY \leftarrow B_7, B_m \leftarrow B_{m-1}, B_0 \leftarrow 0) \times cnt$			x
		C, cnt	2	1	–	$(CY \leftarrow C_7, C_m \leftarrow C_{m-1}, C_0 \leftarrow 0) \times cnt$			x
	SHLW	AX, cnt	2	1	–	$(CY \leftarrow AX_{15}, AX_m \leftarrow AX_{m-1}, AX_0 \leftarrow 0) \times cnt$			x
		BC, cnt	2	1	–	$(CY \leftarrow BC_{15}, BC_m \leftarrow BC_{m-1}, BC_0 \leftarrow 0) \times cnt$			x
	SAR	A, cnt	2	1	–	$(CY \leftarrow A_0, A_{m-1} \leftarrow A_m, A_7 \leftarrow A_7) \times cnt$			x
SARW	AX, cnt	2	1	–	$(CY \leftarrow AX_0, AX_{m-1} \leftarrow AX_m, AX_{15} \leftarrow AX_{15}) \times cnt$			x	

Notes 1. Number of CPU clocks (f_{CLK}) when the internal RAM area, SFR area, or extended SFR area is accessed, or when no data is accessed.

2. Number of CPU clocks (f_{CLK}) when the program memory area is accessed.

Remarks 1. Number of clock is when program exists in the internal ROM (flash memory) area. If fetching the instruction from the internal RAM area, the number becomes double number plus 3 clocks at a maximum.

2. cnt indicates the bit shift count.

Table 34-5. Operation List (14/18)

Instruction Group	Mnemonic	Operands	Bytes	Clocks		Clocks	Flag		
				Note 1	Note 2		Z	AC	CY
Rotate	ROR	A, 1	2	1	–	$(CY, A_7 \leftarrow A_0, A_{m-1} \leftarrow A_m) \times 1$			x
	ROL	A, 1	2	1	–	$(CY, A_0 \leftarrow A_7, A_{m+1} \leftarrow A_m) \times 1$			x
	RORC	A, 1	2	1	–	$(CY \leftarrow A_0, A_7 \leftarrow CY, A_{m-1} \leftarrow A_m) \times 1$			x
	ROLC	A, 1	2	1	–	$(CY \leftarrow A_7, A_0 \leftarrow CY, A_{m+1} \leftarrow A_m) \times 1$			x
	ROLWC	AX,1	2	1	–	$(CY \leftarrow AX_{15}, AX_0 \leftarrow CY, AX_{m+1} \leftarrow AX_m) \times 1$			x
		BC,1	2	1	–	$(CY \leftarrow BC_{15}, BC_0 \leftarrow CY, BC_{m+1} \leftarrow BC_m) \times 1$			x
Bit manipulate	MOV1	CY, A.bit	2	1	–	$CY \leftarrow A.bit$			x
		A.bit, CY	2	1	–	$A.bit \leftarrow CY$			
		CY, PSW.bit	3	1	–	$CY \leftarrow PSW.bit$			x
		PSW.bit, CY	3	4	–	$PSW.bit \leftarrow CY$	x	x	
		CY, saddr.bit	3	1	–	$CY \leftarrow (saddr).bit$			x
		saddr.bit, CY	3	2	–	$(saddr).bit \leftarrow CY$			
		CY, sfr.bit	3	1	–	$CY \leftarrow sfr.bit$			x
		sfr.bit, CY	3	2	–	$sfr.bit \leftarrow CY$			
		CY,[HL].bit	2	1	4	$CY \leftarrow (HL).bit$			x
		[HL].bit, CY	2	2	–	$(HL).bit \leftarrow CY$			
	CY, ES:[HL].bit	3	2	5	$CY \leftarrow (ES, HL).bit$			x	
	ES:[HL].bit, CY	3	3	–	$(ES, HL).bit \leftarrow CY$				
	AND1	CY, A.bit	2	1	–	$CY \leftarrow CY \wedge A.bit$			x
		CY, PSW.bit	3	1	–	$CY \leftarrow CY \wedge PSW.bit$			x
		CY, saddr.bit	3	1	–	$CY \leftarrow CY \wedge (saddr).bit$			x
		CY, sfr.bit	3	1	–	$CY \leftarrow CY \wedge sfr.bit$			x
		CY,[HL].bit	2	1	4	$CY \leftarrow CY \wedge (HL).bit$			x
		CY, ES:[HL].bit	3	2	5	$CY \leftarrow CY \wedge (ES, HL).bit$			x
	OR1	CY, A.bit	2	1	–	$CY \leftarrow CY \vee A.bit$			x
		CY, PSW.bit	3	1	–	$CY \leftarrow CY \vee PSW.bit$			x
		CY, saddr.bit	3	1	–	$CY \leftarrow CY \vee (saddr).bit$			x
		CY, sfr.bit	3	1	–	$CY \leftarrow CY \vee sfr.bit$			x
		CY, [HL].bit	2	1	4	$CY \leftarrow CY \vee (HL).bit$			x
		CY, ES:[HL].bit	3	2	5	$CY \leftarrow CY \vee (ES, HL).bit$			x

Notes 1. Number of CPU clocks (f_{CLK}) when the internal RAM area, SFR area, or extended SFR area is accessed, or when no data is accessed.

2. Number of CPU clocks (f_{CLK}) when the program memory area is accessed.

Remark Number of clock is when program exists in the internal ROM (flash memory) area. If fetching the instruction from the internal RAM area, the number becomes double number plus 3 clocks at a maximum.

Table 34-5. Operation List (15/18)

Instruction Group	Mnemonic	Operands	Bytes	Clocks		Clocks	Flag		
				Note 1	Note 2		Z	AC	CY
Bit manipulate	XOR1	CY, A.bit	2	1	–	$CY \leftarrow CY \nabla A.bit$			x
		CY, PSW.bit	3	1	–	$CY \leftarrow CY \nabla PSW.bit$			x
		CY, saddr.bit	3	1	–	$CY \leftarrow CY \nabla (saddr).bit$			x
		CY, sfr.bit	3	1	–	$CY \leftarrow CY \nabla sfr.bit$			x
		CY, [HL].bit	2	1	4	$CY \leftarrow CY \nabla (HL).bit$			x
		CY, ES:[HL].bit	3	2	5	$CY \leftarrow CY \nabla (ES, HL).bit$			x
	SET1	A.bit	2	1	–	$A.bit \leftarrow 1$			
		PSW.bit	3	4	–	$PSW.bit \leftarrow 1$	x	x	x
		!addr16.bit	4	2	–	$(addr16).bit \leftarrow 1$			
		ES:!addr16.bit	5	3	–	$(ES, addr16).bit \leftarrow 1$			
		saddr.bit	3	2	–	$(saddr).bit \leftarrow 1$			
		sfr.bit	3	2	–	$sfr.bit \leftarrow 1$			
		[HL].bit	2	2	–	$(HL).bit \leftarrow 1$			
		ES:[HL].bit	3	3	–	$(ES, HL).bit \leftarrow 1$			
	CLR1	A.bit	2	1	–	$A.bit \leftarrow 0$			
		PSW.bit	3	4	–	$PSW.bit \leftarrow 0$	x	x	x
		!addr16.bit	4	2	–	$(addr16).bit \leftarrow 0$			
		ES:!addr16.bit	5	3	–	$(ES, addr16).bit \leftarrow 0$			
		saddr.bit	3	2	–	$(saddr).bit \leftarrow 0$			
		sfr.bit	3	2	–	$sfr.bit \leftarrow 0$			
		[HL].bit	2	2	–	$(HL).bit \leftarrow 0$			
		ES:[HL].bit	3	3	–	$(ES, HL).bit \leftarrow 0$			
	SET1	CY	2	1	–	$CY \leftarrow 1$			1
	CLR1	CY	2	1	–	$CY \leftarrow 0$			0
	NOT1	CY	2	1	–	$CY \leftarrow \overline{CY}$			x

- Notes 1.** Number of CPU clocks (f_{CLK}) when the internal RAM area, SFR area, or extended SFR area is accessed, or when no data is accessed
- 2.** Number of CPU clocks (f_{CLK}) when the program memory area is accessed.

Remark Number of clock is when program exists in the internal ROM (flash memory) area. If fetching the instruction from the internal RAM area, the number becomes double number plus 3 clocks at a maximum.

Table 34-5. Operation List (16/18)

Instruction Group	Mnemonic	Operands	Bytes	Clocks		Clocks	Flag			
				Note 1	Note 2		Z	AC	CY	
Call/ return	CALL	rp	2	3	–	(SP – 2) ← (PC+2) _s , (SP – 3) ← (PC+2) _H , (SP – 4) ← (PC+2) _L , PC ← CS, rp, SP ← SP – 4				
		!addr20	3	3	–	(SP – 2) ← (PC+3) _s , (SP – 3) ← (PC+3) _H , (SP – 4) ← (PC+3) _L , PC ← PC+3+jdisp16, SP ← SP – 4				
		!addr16	3	3	–	(SP – 2) ← (PC+3) _s , (SP – 3) ← (PC+3) _H , (SP – 4) ← (PC+3) _L , PC ← 0000, addr16, SP ← SP – 4				
		!!addr20	4	3	–	(SP – 2) ← (PC+4) _s , (SP – 3) ← (PC+4) _H , (SP – 4) ← (PC+4) _L , PC ← addr20, SP ← SP – 4				
		CALLT	[addr5]	2	5	–	(SP – 2) ← (PC+2) _s , (SP – 3) ← (PC+2) _H , (SP – 4) ← (PC+2) _L , PC _s ← 0000, PC _H ← (0000, addr5+1), PC _L ← (0000, addr5), SP ← SP – 4			
		BRK	-	2	5	–	(SP – 1) ← PSW, (SP – 2) ← (PC+2) _s , (SP – 3) ← (PC+2) _H , (SP – 4) ← (PC+2) _L , PC _s ← 0000, PC _H ← (0007FH), PC _L ← (0007EH), SP ← SP – 4, IE ← 0			
		RET	-	1	6	–	PC _L ← (SP), PC _H ← (SP+1), PC _s ← (SP+2), SP ← SP+4			
	RETI	-	2	6	–	PC _L ← (SP), PC _H ← (SP+1), PC _s ← (SP+2), PSW ← (SP+3), SP ← SP+4	R	R	R	
	RETB	-	2	6	–	PC _L ← (SP), PC _H ← (SP+1), PC _s ← (SP+2), PSW ← (SP+3), SP ← SP+4	R	R	R	

- Notes 1.** Number of CPU clocks (f_{CLK}) when the internal RAM area, SFR area, or extended SFR area is accessed, or when no data is accessed.
- 2.** Number of CPU clocks (f_{CLK}) when the program memory area is accessed.

Remark Number of clock is when program exists in the internal ROM (flash memory) area. If fetching the instruction from the internal RAM area, the number becomes double number plus 3 clocks at a maximum.

Table 34-5. Operation List (17/18)

Instruction Group	Mnemonic	Operands	Bytes	Clocks		Clocks	Flag		
				Note 1	Note 2		Z	AC	CY
Stack manipulate	PUSH	PSW	2	1	–	$(SP - 1) \leftarrow PSW, (SP - 2) \leftarrow 00H,$ $SP \leftarrow SP - 2$			
		rp	1	1	–	$(SP - 1) \leftarrow rpH, (SP - 2) \leftarrow rpL,$ $SP \leftarrow SP - 2$			
	POP	PSW	2	3	–	$PSW \leftarrow (SP+1), SP \leftarrow SP + 2$	R	R	R
		rp	1	1	–	$rpL \leftarrow (SP), rpH \leftarrow (SP+1), SP \leftarrow SP + 2$			
	MOVW	SP, #word	4	1	–	$SP \leftarrow word$			
		SP, AX	2	1	–	$SP \leftarrow AX$			
		AX, SP	2	1	–	$AX \leftarrow SP$			
		HL, SP	3	1	–	$HL \leftarrow SP$			
		BC, SP	3	1	–	$BC \leftarrow SP$			
		DE, SP	3	1	–	$DE \leftarrow SP$			
ADDW	SP, #byte	2	1	–	$SP \leftarrow SP + byte$				
SUBW	SP, #byte	2	1	–	$SP \leftarrow SP - byte$				
Unconditional branch	BR	AX	2	3	–	$PC \leftarrow CS, AX$			
		\$addr20	2	3	–	$PC \leftarrow PC + 2 + jdisp8$			
		!\$addr20	3	3	–	$PC \leftarrow PC + 3 + jdisp16$			
		!addr16	3	3	–	$PC \leftarrow 0000, addr16$			
		!!addr20	4	3	–	$PC \leftarrow addr20$			
Conditional branch	BC	\$addr20	2	2/4 Note3	–	$PC \leftarrow PC + 2 + jdisp8$ if $CY = 1$			
	BNC	\$addr20	2	2/4 Note3	–	$PC \leftarrow PC + 2 + jdisp8$ if $CY = 0$			
	BZ	\$addr20	2	2/4 Note3	–	$PC \leftarrow PC + 2 + jdisp8$ if $Z = 1$			
	BNZ	\$addr20	2	2/4 Note3	–	$PC \leftarrow PC + 2 + jdisp8$ if $Z = 0$			
	BH	\$addr20	3	2/4 Note3	–	$PC \leftarrow PC + 3 + jdisp8$ if $(Z \vee CY) = 0$			
	BNH	\$addr20	3	2/4 Note3	–	$PC \leftarrow PC + 3 + jdisp8$ if $(Z \vee CY) = 1$			
	BT	saddr.bit, \$addr20	4	3/5 Note3	–	$PC \leftarrow PC + 4 + jdisp8$ if saddr.bit = 1			
		sfr.bit, \$addr20	4	3/5 Note3	–	$PC \leftarrow PC + 4 + jdisp8$ if sfr.bit = 1			
		A.bit, \$addr20	3	3/5 Note3	–	$PC \leftarrow PC + 3 + jdisp8$ if A.bit = 1			
		PSW.bit, \$addr20	4	3/5 Note3	–	$PC \leftarrow PC + 4 + jdisp8$ if PSW.bit = 1			
[HL].bit, \$addr20		3	3/5 Note3	6/7	$PC \leftarrow PC + 3 + jdisp8$ if (HL).bit = 1				
ES:[HL].bit, \$addr20	4	4/6 Note3	7/8	$PC \leftarrow PC + 4 + jdisp8$ if (ES, HL).bit = 1					

- Notes 1.** Number of CPU clocks (f_{CLK}) when the internal RAM area, SFR area, or extended SFR area is accessed, or when no data is accessed.
- 2.** Number of CPU clocks (f_{CLK}) when the program memory area is accessed.
- 3.** This indicates the number of clocks “when condition is not met/when condition is met”.

Remark Number of clock is when program exists in the internal ROM (flash memory) area. If fetching the instruction from the internal RAM area, the number becomes double number plus 3 clocks at a maximum.

Table 34-5. Operation List (18/18)

Instruction Group	Mnemonic	Operands	Bytes	Clocks		Clocks	Flag		
				Note 1	Note 2		Z	AC	CY
Conditional branch	BF	saddr.bit, \$addr20	4	3/5 ^{Note3}	–	PC ← PC + 4 + jdisp8 if (saddr).bit = 0			
		sfr.bit, \$addr20	4	3/5 ^{Note3}	–	PC ← PC + 4 + jdisp8 if sfr.bit = 0			
		A.bit, \$addr20	3	3/5 ^{Note3}	–	PC ← PC + 3 + jdisp8 if A.bit = 0			
		PSW.bit, \$addr20	4	3/5 ^{Note3}	–	PC ← PC + 4 + jdisp8 if PSW.bit = 0			
		[HL].bit, \$addr20	3	3/5 ^{Note3}	6/7	PC ← PC + 3 + jdisp8 if (HL).bit = 0			
		ES:[HL].bit, \$addr20	4	4/6 ^{Note3}	7/8	PC ← PC + 4 + jdisp8 if (ES, HL).bit = 0			
	BTCLR	saddr.bit, \$addr20	4	3/5 ^{Note3}	–	PC ← PC + 4 + jdisp8 if (saddr).bit = 1 then reset (saddr).bit			
		sfr.bit, \$addr20	4	3/5 ^{Note3}	–	PC ← PC + 4 + jdisp8 if sfr.bit = 1 then reset sfr.bit			
		A.bit, \$addr20	3	3/5 ^{Note3}	–	PC ← PC + 3 + jdisp8 if A.bit = 1 then reset A.bit			
		PSW.bit, \$addr20	4	3/5 ^{Note3}	–	PC ← PC + 4 + jdisp8 if PSW.bit = 1 then reset PSW.bit	x	x	x
		[HL].bit, \$addr20	3	3/5 ^{Note3}	–	PC ← PC + 3 + jdisp8 if (HL).bit = 1 then reset (HL).bit			
		ES:[HL].bit, \$addr20	4	4/6 ^{Note3}	–	PC ← PC + 4 + jdisp8 if (ES, HL).bit = 1 then reset (ES, HL).bit			
Conditional skip	SKC	–	2	1	–	Next instruction skip if CY = 1			
	SKNC	–	2	1	–	Next instruction skip if CY = 0			
	SKZ	–	2	1	–	Next instruction skip if Z = 1			
	SKNZ	–	2	1	–	Next instruction skip if Z = 0			
	SKH	–	2	1	–	Next instruction skip if (Z∨CY) = 0			
	SKNH	–	2	1	–	Next instruction skip if (Z∨CY) = 1			
CPU control	SEL ^{Note4}	RBn	2	1	–	RBS[1:0] ← n			
	NOP	–	1	1	–	No Operation			
	EI	–	3	4	–	IE ← 1 (Enable Interrupt)			
	DI	–	3	4	–	IE ← 0 (Disable Interrupt)			
	HALT	–	2	3	–	Set HALT Mode			
	STOP	–	2	3	–	Set STOP Mode			

- Notes**
1. Number of CPU clocks (f_{CLK}) when the internal RAM area, SFR area, or extended SFR area is accessed, or when no data is accessed.
 2. Number of CPU clocks (f_{CLK}) when the program memory area is accessed.
 3. This indicates the number of clocks “when condition is not met/when condition is met”.
 4. n indicates the number of register banks (n = 0 to 3)

Remark Number of clock is when program exists in the internal ROM (flash memory) area. If fetching the instruction from the internal RAM area, the number becomes double number plus 3 clocks at a maximum.

CHAPTER 35 ELECTRICAL SPECIFICATIONS (GRADE L)

- Cautions**
- 1. RL78/F15 has an on-chip debug function, which is provided for development and evaluation. Do not use the on-chip debug function in products designated for mass production, because the guaranteed number of rewritable times of the flash memory may be exceeded when this function is used, and product reliability therefore cannot be guaranteed. Renesas Electronics is not liable for problems occurring when the on-chip debug function is used.**
 - 2. With products not provided with an EV_{DD0}, EV_{DD1}, EV_{SS0}, or EV_{SS1} pin, replace EV_{DD0} and EV_{DD1} with V_{DD}, or replace EV_{SS0} and EV_{SS1} with V_{SS}.**
 - 3. The pins mounted depending on the product. For details, refer to 1.5 Pin Configurations and 2.1 Pin Function List.**

35.1 Absolute Maximum Ratings

(1/2)

Parameter	Symbol	Conditions	Ratings	Unit
Supply voltage	V_{DD}		-0.5 to +6.5	V
	EV_{DD0} , EV_{DD1}	$EV_{DD0} = EV_{DD1}$	-0.5 to +6.5	V
	V_{SS}		-0.5 to +0.3	V
	EV_{SS0} , EV_{SS1}	$EV_{SS0} = EV_{SS1}$	-0.5 to +0.3	V
REGC pin input voltage	V_{IREGC}	REGC	-0.3 to +2.8 and -0.3 to $V_{DD}+0.3$ ^{Note 1}	V
Input voltage	V_{I1}	P00 to P07, P10 to P17, P20 to P27, P30 to P32, P35 to P37, P40 to P47, P50 to P57, P60 to P67, P70 to P77, P106, P107, P110 to P117, P120, P125 to P127, P131 to P136, P140 to P147, P150 to P157, P160 to P167	-0.3 to $EV_{DD0} = EV_{DD1} + 0.3$ and -0.3 to $V_{DD}+0.3$ ^{Note 2}	V
	V_{I2}	P33, P34, P80 to P87, P90 to P97, P100 to P105, P121 to P124, P137, \overline{RESET}	-0.3 to $V_{DD}+0.3$ ^{Note 2}	V
Output voltage	V_{O1}	P00 to P07, P10 to P17, P20 to P27, P30 to P32, P35 to P37, P40 to P47, P50 to P57, P60 to P67, P70 to P77, P106, P107, P110 to P117, P120, P125 to P127, P130 to P136, P140 to P147, P150 to P157, P160 to P167	-0.3 to $EV_{DD0} = EV_{DD1} + 0.3$ and -0.3 to $V_{DD}+0.3$ ^{Note 2}	V
	V_{O2}	P33, P34, P80 to P87, P90 to P97, P100 to P105	-0.3 to $V_{DD}+0.3$	V
Analog input voltage	V_{AI1}	ANI24 to ANI30	-0.3 to $EV_{DD0} = EV_{DD1} + 0.3$ and -0.3 to $AV_{REF(+)}+0.3$ ^{Notes 2, 3}	V
	V_{AI2}	ANI0 to ANI23	-0.3 to $V_{DD}+0.3$ and -0.3 to $AV_{REF(+)}+0.3$ ^{Notes 2, 3}	V

Notes 1. Connect the REGC pin to V_{SS} via a capacitor (0.47 to 1 μ F). This value regulates the absolute maximum rating of the REGC pin. Do not use this pin with voltage applied to it.

2. Must be 6.5 V or lower.

3. For pins to be used in A/D conversion, the voltage should not exceed the value $AV_{REF(+)} + 0.3$.

Caution Product quality may suffer if the absolute maximum rating is exceeded even momentarily for any parameter. That is, the absolute maximum ratings are rated values at which the product is on the verge of suffering physical damage, and therefore the product must be used under conditions that ensure that the absolute maximum ratings are not exceeded.

Remark Unless specified otherwise, the characteristics of alternate-function pins are the same as those of the port pins.

(2/2)

Parameter	Symbol	Conditions		Ratings	Unit
Output current, high	I _{OH1}	Per pin	P00 to P07, P10 to P17, P20 to P27, P30 to P32, P35 to P37, P40 to P47, P50 to P57, P60 to P67, P70 to P77, P106, P107, P110 to P117, P120, P125 to P127, P130 to P136, P140 to P147, P150 to P157, P160 to P167	-40	mA
		Total of all pins -170 mA	P01, P02, P40 to P47, P110 to P117, P120, P125 to P127, P131 to P136, P150 to P153, P160 to P167	-70	mA
			P00, P03 to P07, P10 to P17, P20 to P27, P30 to P32, P35 to P37, P50 to P57, P60 to P67, P70 to P77, P106, P107, P130, P140 to P147, P154 to P157	-100	mA
	I _{OH2}	Per pin	P33, P34, P80 to P87, P90 to P97, P100 to P105	-0.5	mA
		Total of all pins		-2	mA
Output current, low	I _{OL1}	Per pin	P00 to P07, P10 to P17, P20 to P27, P30 to P32, P35 to P37, P40 to P47, P50 to P57, P60 to P67, P70 to P77, P106, P107, P110 to P117, P120, P125 to P127, P130 to P136, P140 to P147, P150 to P157, P160 to P167	40	mA
		Total of all pins 170 mA	P01, P02, P40 to P47, P110 to P117, P120, P125 to P127, P131 to P136, P150 to P153, P160 to P167	70	mA
			P00, P03 to P07, P10 to P17, P20 to P27, P30 to P32, P35 to P37, P50 to P57, P60 to P67, P70 to P77, P106, P107, P130, P140 to P147, P154 to P157	100	mA
	I _{OL2}	Per pin	P33, P34, P80 to P87, P90 to P97, P100 to P105	1	mA
		Total of all pins		5	mA
	Operating ambient temperature	T _A	In normal operation mode		-40 to +105
In flash memory programming mode					
Storage temperature	T _{stg}			-65 to +150	°C

Caution Product quality may suffer if the absolute maximum rating is exceeded even momentarily for any parameter. That is, the absolute maximum ratings are rated values at which the product is on the verge of suffering physical damage, and therefore the product must be used under conditions that ensure that the absolute maximum ratings are not exceeded.

Remark Unless specified otherwise, the characteristics of alternate-function pins are the same as those of the port pins.

35.2 Oscillator Characteristics

35.2.1 Main System Clock Oscillator Characteristics

($T_A = -40$ to $+105^\circ\text{C}$, $2.7\text{ V} \leq EV_{DD0} = EV_{DD1} = V_{DD} \leq 5.5\text{ V}$, $V_{SS} = EV_{SS0} = EV_{SS1} = 0\text{ V}$)

Resonator	Recommended Circuit	Parameter	Conditions	MIN.	TYP.	MAX.	Unit
Ceramic resonator/ Crystal resonator		X1 clock oscillation frequency (fx)	$2.7\text{ V} \leq V_{DD} \leq 5.5\text{ V}$	1.0		20.0	MHz

Cautions 1. When using the X1 oscillator, wire as follows in the area enclosed by the broken lines in the above figures to avoid an adverse effect from wiring capacitance.

- Keep the wiring length as short as possible.
- Do not cross the wiring with the other signal lines.
- Do not route the wiring near a signal line through which a high fluctuating current flows.
- Always make the ground point of the oscillator capacitor the same potential as Vss.
- Do not ground the capacitor to a ground pattern through which a high current flows.
- Do not fetch signals from the oscillator.

2. Customers are requested to consult the resonator manufacturer to select an appropriate resonator and to determine the proper oscillation constant. Customers are also requested to adequately evaluate the oscillation on their system. Determine the X1 clock oscillation stabilization time using the oscillation stabilization time of the oscillation stabilization time counter status register (OSTC) and the oscillation stabilization time select register (OSTS) after sufficiently evaluating the oscillation stabilization time with the resonator to be used.

35.2.2 On-chip Oscillator Characteristics

($T_A = -40$ to $+105^\circ\text{C}$, $2.7\text{ V} \leq \text{EV}_{\text{DD0}} = \text{EV}_{\text{DD1}} = \text{V}_{\text{DD}} \leq 5.5\text{ V}$, $\text{V}_{\text{SS}} = \text{EV}_{\text{SS0}} = \text{EV}_{\text{SS1}} = 0\text{ V}$)

Oscillators	Symbol	Conditions	MIN.	TYP.	MAX.	Unit
High-speed on-chip oscillator clock frequency ^{Note}	f_{IH}		1		64	MHz
High-speed on-chip oscillator clock frequency accuracy	-		-2		+2	%
Low-speed on-chip oscillator clock frequency	f_{IL} , f_{WDT}			15		kHz
Low-speed on-chip oscillator clock frequency accuracy	-		-15		+15	%

Note High-speed on-chip oscillator frequency is selected with bits 0 to 4 of the option byte (000C2H/020C2H) and bits 0 to 2 of the HOCODIV register.

35.2.3 Subsystem Clock Oscillator Characteristics

($T_A = -40$ to $+105^\circ\text{C}$, $2.7\text{ V} \leq EV_{DD0} = EV_{DD1} = V_{DD} \leq 5.5\text{ V}$, $V_{SS} = EV_{SS0} = EV_{SS1} = 0\text{ V}$)

Resonator	Recommended Circuit	Item	Conditions	MIN.	TYP.	MAX.	Unit
Crystal resonator		XT1 clock oscillation frequency (f_{XT})	$2.7\text{ V} \leq V_{DD} \leq 5.5\text{ V}$	29.0	32.768	35.0	kHz

Cautions 1. When using the XT1 oscillator, wire as follows in the area enclosed by the broken lines in the above figures to avoid an adverse effect from wiring capacitance.

- Keep the wiring length as short as possible.
- Do not cross the wiring with the other signal lines.
- Do not route the wiring near a signal line through which a high fluctuating current flows.
- Always make the ground point of the oscillator capacitor the same potential as V_{SS} .
- Do not ground the capacitor to a ground pattern through which a high current flows.
- Do not fetch signals from the oscillator.

2. The XT1 oscillator is designed as a low-amplitude circuit for reducing power consumption and thus required to be adequately evaluated on the system. Customers are requested to consult the resonator manufacturer to select an appropriate resonator and to determine the proper oscillation constant.

35.2.4 PLL Circuit Characteristics

(T_A = -40 to +105°C, 2.7 V ≤ EV_{DD0} = EV_{DD1} = V_{DD} ≤ 5.5 V, V_{SS} = EV_{SS0} = EV_{SS1} = 0 V)

Resonator	Symbol	Conditions	MIN.	TYP.	MAX.	Unit	
PLL input enable clock frequency ^{Note 1}	f _{PLLI}	PLLMUL = 0	PLLDIV0 = 0	3.92	4.0	4.08	MHz
			PLLDIV0 = 1	7.84	8.0	8.16	MHz
		PLLMUL = 1	PLLDIV0 = 0	3.92	4.0	4.08	MHz
			PLLDIV0 = 1	7.84	8.0	8.16	MHz
PLL output frequency (center value)	f _{PLL}	PLLMUL = 0	PLLDIV0 = 0	f _{PLLI} × 12/2		MHz	
			PLLDIV0 = 1	f _{PLLI} × 12/4		MHz	
		PLLMUL = 1	PLLDIV0 = 0	f _{PLLI} × 16/2		MHz	
			PLLDIV0 = 1	f _{PLLI} × 16/4		MHz	
Long-term jitter ^{Notes 2, 3}	t _{LJ}	f _{PLL} = 24 MHz (480 counts)		-2		+2	ns
		f _{PLL} = 32 MHz (640 counts)		-2		+2	ns
		f _{PLL} = 48 MHz (960 counts)		-2		+2	ns
		f _{PLL} = 64 MHz (1280 counts)		-2		+2	ns

Notes 1. If the high-speed on-chip oscillator clock is to be selected as the PLL input clock, the minimum and maximum values will reflect the range of accuracy of the oscillation frequency by the high-speed on-chip oscillator clock.

2. Guaranteed by design, but not tested before shipment.

3. Indicates 20 μs.

35.3 DC Characteristics

35.3.1 Pin Characteristics

For the relationship between the port pins shown in the following tables and the products, refer to **CHAPTER 4 PORT FUNCTIONS**.

($T_A = -40$ to $+105^\circ\text{C}$, $2.7\text{ V} \leq EV_{DD0} = EV_{DD1} = V_{DD} \leq 5.5\text{ V}$, $V_{SS} = EV_{SS0} = EV_{SS1} = 0\text{ V}$) (1/4)

Items	Symbol	Conditions	MIN.	TYP.	MAX.	Unit		
Output current, high ^{Note 1}	I _{OH1}	Per pin for P00 to P07, P10 to P17, P20 to P27, P30 to P32, P35 to P37, P40 to P47, P50 to P57, P60 to P67, P70 to P77, P106, P107, P110 to P117, P120, P125 to P127, P130 to P136, P140 to P147, P150 to P157, P160 to P167	$4.0\text{ V} \leq EV_{DD0} \leq 5.5\text{ V}$			-5.0	mA	
			$2.7\text{ V} \leq EV_{DD0} < 4.0\text{ V}$			-3.0	mA	
		Per pin for P10, P12, P14, P30, P120, P140 (special slew rate)	$4.0\text{ V} \leq EV_{DD0} \leq 5.5\text{ V}$			-0.6	mA	
			$2.7\text{ V} \leq EV_{DD0} < 4.0\text{ V}$			-0.2	mA	
		Total of P01, P02, P40 to P47, P110 to P117, P120, P125 to P127, P131 to P136, P150 to P153, P160 to P167 (for duty factors $\leq 70\%$ ^{Note 2})	$4.0\text{ V} \leq EV_{DD0} \leq 5.5\text{ V}$			-20.0	mA	
			$2.7\text{ V} \leq EV_{DD0} < 4.0\text{ V}$			-10.0	mA	
		Total of P00, P03 to P07, P10 to P17, P20 to P27, P30 to P32, P35 to P37, P50 to P57, P60 to P67, P70 to P77, P106, P107, P130, P140 to P147, P154 to P157 (for duty factors $\leq 70\%$ ^{Note 2})	$4.0\text{ V} \leq EV_{DD0} \leq 5.5\text{ V}$			-30.0	mA	
			$2.7\text{ V} \leq EV_{DD0} < 4.0\text{ V}$			-19.0	mA	
		Total of all pins (for duty factors $\leq 70\%$ ^{Note 2})	$4.0\text{ V} \leq EV_{DD0} \leq 5.5\text{ V}$			-50.0	mA	
			$2.7\text{ V} \leq EV_{DD0} < 4.0\text{ V}$			-29.0	mA	
		I _{OH2}	Per pin for P33, P34, P80 to P87, P90 to P97, P100 to P105	$2.7\text{ V} \leq V_{DD} \leq 5.5\text{ V}$			-0.1	mA
				Total of all pins (for duty factors $\leq 70\%$ ^{Note 2})	$2.7\text{ V} \leq V_{DD} \leq 5.5\text{ V}$			-2.0

Notes 1. Value of current at which the device operation is guaranteed even if the current flows from pins EV_{DD0} , EV_{DD1} , and V_{DD} to an output pin.

2. These output current values are obtained under the condition that the duty factor is no greater than 70%. The output current values when the duty factor is changed to a value greater than 70% can be calculated from the following expression (when the duty factor is changed to n%).

- Total output current of pins $(I_{OH} \times 0.7)/(n \times 0.01)$

<Example> Where $n = 80\%$ and $I_{OH} = -10.0\text{ mA}$

Total output current of pins = $(-10.0 \times 0.7)/(80 \times 0.01) \approx -8.7\text{ mA}$

However, the current that is allowed to flow into one pin does not vary depending on the duty factor. A current higher than the absolute maximum rating must not flow into one pin.

Remark Unless specified otherwise, the characteristics of alternate-function pins are the same as those of the port pins.

($T_A = -40$ to $+105^\circ\text{C}$, $2.7\text{ V} \leq EV_{DD0} = EV_{DD1} = V_{DD} \leq 5.5\text{ V}$, $V_{SS} = EV_{SS0} = EV_{SS1} = 0\text{ V}$) (2/4)

Items	Symbol	Conditions	MIN.	TYP.	MAX.	Unit	
Output current, low ^{Note 1}	I _{OL1}	Per pin for P00 to P07, P10 to P17, P20 to P27, P30 to P32, P35 to P37, P40 to P47, P50 to P57, P60 to P67, P70 to P77, P106, P107, P110 to P117, P120, P125 to P127, P130 to P136, P140 to P147, P150 to P157, P160 to P167	$4.0\text{ V} \leq EV_{DD0} \leq 5.5\text{ V}$		8.5	mA	
			$2.7\text{ V} \leq EV_{DD0} < 4.0\text{ V}$		4.0	mA	
		Per pin for P10, P12, P14, P30, P120, P140 (special slew rate)	$4.0\text{ V} \leq EV_{DD0} \leq 5.5\text{ V}$		0.59	mA	
			$2.7\text{ V} \leq EV_{DD0} < 4.0\text{ V}$		0.07	mA	
		Total of P01, P02, P40 to P47, P110 to P117, P120, P125 to P127, P131 to P136, P150 to P153, P160 to P167 (for duty factors $\leq 70\%$ ^{Note 2})	$4.0\text{ V} \leq EV_{DD0} \leq 5.5\text{ V}$		20.0	mA	
			$2.7\text{ V} \leq EV_{DD0} < 4.0\text{ V}$		15.0	mA	
		Total of P00, P03 to P07, P10 to P17, P20 to P27, P30 to P32, P35 to P37, P50 to P57, P60 to P67, P70 to P77, P106, P107, P130, P140 to P147, P154 to P157 (for duty factors $\leq 70\%$ ^{Note 2})	$4.0\text{ V} \leq EV_{DD0} \leq 5.5\text{ V}$		45.0	mA	
			$2.7\text{ V} \leq EV_{DD0} < 4.0\text{ V}$		35.0	mA	
		Total of all pins (for duty factors $\leq 70\%$ ^{Note 2})	$4.0\text{ V} \leq EV_{DD0} \leq 5.5\text{ V}$		65.0	mA	
			$2.7\text{ V} \leq V_{DD} < 4.0\text{ V}$		50.0	mA	
		I _{OL2}	Per pin for P33, P34, P80 to P87, P90 to P97, P100 to P105	$2.7\text{ V} \leq V_{DD} \leq 5.5\text{ V}$		0.4	mA
				$2.7\text{ V} \leq V_{DD} \leq 5.5\text{ V}$		5.0	mA
		Total of all pins (for duty factors $\leq 70\%$ ^{Note 2})			5.0	mA	

Notes 1. Value of current at which the device operation is guaranteed even if the current flows to the EV_{SS0}, EV_{SS1}, and V_{SS} pins from an output pin.

2. These output current values are obtained under the condition that the duty factor is no greater than 70%. The output current values when the duty factor is changed to a value greater than 70% can be calculated from the following expression (when the duty factor is changed to n%).

- Total output current of pins $(I_{OL} \times 0.7)/(n \times 0.01)$

<Example> Where $n = 80\%$ and $I_{OL} = 10.0\text{ mA}$

Total output current of pins = $(10.0 \times 0.7)/(80 \times 0.01) \approx 8.7\text{ mA}$

However, the current that is allowed to flow into one pin does not vary depending on the duty factor. A current higher than the absolute maximum rating must not flow into one pin.

Remark Unless specified otherwise, the characteristics of alternate-function pins are the same as those of the port pins.

($T_A = -40$ to $+105^\circ\text{C}$, $2.7\text{ V} \leq EV_{DD0} = EV_{DD1} = V_{DD} \leq 5.5\text{ V}$, $V_{SS} = EV_{SS0} = EV_{SS1} = 0\text{ V}$) (3/4)

Items	Symbol	Conditions	MIN.	TYP.	MAX.	Unit	
Input voltage, high	V_{IH1}	P00 to P07, P10 to P17, P20 to P27, P30 to P32, P35 to P37, P40 to P47, P50 to P57, P60 to P67, P70 to P77, P106, P107, P110 to P117, P120, P125 to P127, P131 to P136, P140 to P147, P150 to P157, P160 to P167 (Schmitt 1 mode)	$4.0\text{ V} \leq EV_{DD0} \leq 5.5\text{ V}$	0.65 EV_{DD0}		EV_{DD0} ^{Note}	V
			$2.7\text{ V} \leq EV_{DD0} < 4.0\text{ V}$	0.7 EV_{DD0}		EV_{DD0} ^{Note}	V
	V_{IH2}	P00, P10, P11, P13, P14, P16, P17, P20, P21, P24, P25, P30, P37, P43, P50, P52 to P54, P60 to P63, P70, P71, P73, P75 to P77, P107, P125, P150, P152-P154, P156 (Schmitt 3 mode)	$4.0\text{ V} \leq EV_{DD0} \leq 5.5\text{ V}$	0.8 EV_{DD0}		EV_{DD0} ^{Note}	V
			$2.7\text{ V} \leq EV_{DD0} < 4.0\text{ V}$	0.85 EV_{DD0}		EV_{DD0} ^{Note}	V
	V_{IH3}	P10, P11, P13, P14, P16, P17, P30, P54, P62, P63, P70, P71, P73, P125 (TTL mode)	$4.0\text{ V} \leq EV_{DD0} \leq 5.5\text{ V}$	2.2		EV_{DD0} ^{Note}	V
			$2.7\text{ V} \leq EV_{DD0} < 4.0\text{ V}$	2.0		EV_{DD0} ^{Note}	V
	V_{IH4}	P33, P34, P80 to P87, P90 to P97, P100 to P105, P137 (fixed to Schmitt 3 mode)	$4.0\text{ V} \leq V_{DD} \leq 5.5\text{ V}$	0.8 V_{DD}		V_{DD}	V
			$2.7\text{ V} \leq V_{DD} < 4.0\text{ V}$	0.85 V_{DD}		V_{DD}	V
	V_{IH5}	$\overline{\text{RESET}}$ (fixed to Schmitt 1 mode)	$4.0\text{ V} \leq V_{DD} \leq 5.5\text{ V}$	0.65 V_{DD}		V_{DD}	V
			$2.7\text{ V} \leq V_{DD} < 4.0\text{ V}$	0.7 V_{DD}		V_{DD}	V
	V_{IH6}	P121 to P124, EXCLK, EXCLKS (fixed to Schmitt 2 mode)	$4.0\text{ V} \leq V_{DD} \leq 5.5\text{ V}$	0.8 V_{DD}		V_{DD}	V
			$2.7\text{ V} \leq V_{DD} < 4.0\text{ V}$	0.8 V_{DD}		V_{DD}	V

Note The maximum value of V_{IH} of the pins P10 to P17, P60 to P63, P70 to P72, and P120 is EV_{DD0} , even in N-ch open-drain mode.

Remark Unless specified otherwise, the characteristics of alternate-function pins are the same as those of the port pins.

(T_A = -40 to +105°C, 2.7 V ≤ EV_{DD0} = EV_{DD1} = V_{DD} ≤ 5.5 V, V_{SS} = EV_{SS0} = EV_{SS1} = 0 V) (4/4)

Items	Symbol	Conditions	MIN.	TYP.	MAX.	Unit	
Input voltage, low	V _{IL1}	P00 to P07, P10 to P17, P20 to P27, P30 to P32, P35 to P37, P40 to P47, P50 to P57, P60 to P67, P70 to P77, P106, P107, P110 to P117, P120, P125 to P127, P131 to P136, P140 to P147, P150 to P157, P160 to P167 (Schmitt 1 mode)	4.0 V ≤ EV _{DD0} ≤ 5.5 V	0		0.35 EV _{DD0}	V
			2.7 V ≤ EV _{DD0} < 4.0 V	0		0.3 EV _{DD0}	V
	V _{IL2}	P00, P10, P11, P13, P14, P16, P17, P20, P21, P24, P25, P30, P37, P43, P50, P52 to P54, P60 to P63, P70, P71, P73, P75 to P77, P107, P125, P150, P152-P154, P156 (Schmitt 3 mode)	4.0 V ≤ EV _{DD0} ≤ 5.5 V	0		0.5 EV _{DD0}	V
			2.7 V ≤ EV _{DD0} < 4.0 V	0		0.4 EV _{DD0}	V
	V _{IL3}	P10, P11, P13, P14, P16, P17, P30, P54, P62, P63, P70, P71, P73, P125 (TTL mode)	4.0 V ≤ EV _{DD0} ≤ 5.5 V	0		0.8	V
			2.7 V ≤ EV _{DD0} < 4.0 V	0		0.5	V
	V _{IL4}	P33, P34, P80 to P87, P90 to P97, P100 to P105, P137 (fixed to Schmitt 3 mode)	4.0 V ≤ V _{DD} ≤ 5.5 V	0		0.5 V _{DD}	V
			2.7 V ≤ V _{DD} < 4.0 V	0		0.4 V _{DD}	V
	V _{IL5}	RESET (fixed to Schmitt 1 mode)	4.0 V ≤ V _{DD} ≤ 5.5 V	0		0.35 V _{DD}	V
			2.7 V ≤ V _{DD} < 4.0 V	0		0.3 V _{DD}	V
	V _{IL6}	P121 to P124, EXCLK, EXCLKS (fixed to Schmitt 2 mode)	4.0 V ≤ V _{DD} ≤ 5.5 V	0		0.2 V _{DD}	V
			2.7 V ≤ V _{DD} < 4.0 V	0		0.2 V _{DD}	V

Remark Unless specified otherwise, the characteristics of alternate-function pins are the same as those of the port pins.

($T_A = -40$ to $+105^\circ\text{C}$, $2.7\text{ V} \leq EV_{DD0} = EV_{DD1} = V_{DD} \leq 5.5\text{ V}$, $V_{SS} = EV_{SS0} = EV_{SS1} = 0\text{ V}$) (1/2)

Items	Symbol	Conditions	MIN.	TYP.	MAX.	Unit
Output voltage, high	V _{OH1}	P00 to P07, P10 to P17, P20 to P27, P30 to P32, P35 to P37, P40 to P47, P50 to P57, P60 to P67, P70 to P77, P106, P107, P110 to P117, P120, P125 to P127, P130 to P136, P140 to P147, P150 to P157, P160 to P167 (normal slew rate)	$4.0\text{ V} \leq EV_{DD0} \leq 5.5\text{ V}$, $I_{OH1} = -5.0\text{ mA}$	EV _{DD0} -0.9		V
			$2.7\text{ V} \leq EV_{DD0} \leq 5.5\text{ V}$, $I_{OH1} = -3.0\text{ mA}$	EV _{DD0} -0.7		V
			$2.7\text{ V} \leq EV_{DD0} \leq 5.5\text{ V}$, $I_{OH1} = -1.0\text{ mA}$	EV _{DD0} -0.5		V
	V _{OH2}	P33, P34, P80 to P87, P90 to P97, P100 to P105	$2.7\text{ V} \leq V_{DD} \leq 5.5\text{ V}$ $I_{OH2} = -100\text{ }\mu\text{A}$	V _{DD} -0.5		V
	V _{OH3}	P10, P12, P14, P30, P120, P140 (special slew rate)	$4.0\text{ V} \leq EV_{DD0} \leq 5.5\text{ V}$, $I_{OH3} = -0.6\text{ mA}$	EV _{DD0} -0.8		V
			$2.7\text{ V} \leq EV_{DD0} \leq 5.5\text{ V}$, $I_{OH3} = -0.2\text{ mA}$	EV _{DD0} -0.5		V
Output voltage, low	V _{OL1}	P00 to P07, P10 to P17, P20 to P27, P30 to P32, P35 to P37, P40 to P47, P50 to P57, P60 to P67, P70 to P77, P106, P107, P110 to P117, P120, P125 to P127, P130 to P136, P140 to P147, P150 to P157, P160 to P167 (normal slew rate)	$4.0\text{ V} \leq EV_{DD0} \leq 5.5\text{ V}$, $I_{OL1} = 8.5\text{ mA}$		0.7	V
			$4.0\text{ V} \leq EV_{DD0} \leq 5.5\text{ V}$, $I_{OL1} = 4.0\text{ mA}$		0.4	V
			$2.7\text{ V} \leq EV_{DD0} \leq 5.5\text{ V}$, $I_{OL1} = 4.0\text{ mA}$		0.7	V
			$2.7\text{ V} \leq EV_{DD0} \leq 5.5\text{ V}$, $I_{OL1} = 1.5\text{ mA}$		0.4	V
	V _{OL2}	P33, P34, P80 to P87, P90 to P97, P100 to P105	$2.7\text{ V} \leq V_{DD} \leq 5.5\text{ V}$ $I_{OL2} = 400\text{ }\mu\text{A}$		0.4	V
	V _{OL3}	P10, P12, P14, P30, P120, P140 (special slew rate)	$4.0\text{ V} \leq EV_{DD0} \leq 5.5\text{ V}$, $I_{OL3} = 0.6\text{ mA}$		0.8	V
			$2.7\text{ V} \leq EV_{DD0} \leq 5.5\text{ V}$, $I_{OL3} = 0.07\text{ mA}$		0.5	V

Caution P10 to P17, P60 to P63, P70 to P72, and P120 do not output high level in N-ch open-drain mode.

Remark Unless specified otherwise, the characteristics of alternate-function pins are the same as those of the port pins.

(T_A = -40 to +105°C, 2.7 V ≤ EV_{DD0} = EV_{DD1} = V_{DD} ≤ 5.5 V, V_{SS} = EV_{SS0} = EV_{SS1} = 0 V) (2/2)

Items	Symbol	Conditions	MIN.	TYP.	MAX.	Unit		
Input leakage current, high	I _{LIH1}	P00 to P07, P10 to P17, P20 to P27, P30 to P32, P35 to P37, P40 to P47, P50 to P57, P60 to P67, P70 to P77, P106, P107, P110 to P117, P120, P125 to P127, P131 to P136, P140 to P147, P150 to P157, P160 to P167	V _I = EV _{DD0}			1	μA	
	I _{LIH2}	P33, P34, P80 to P87, P90 to P97, P100 to P105, P137, RESET	V _I = V _{DD}			1	μA	
	I _{LIH3}	P121 to P124 (X1, X2, XT1, XT2, EXCLK, EXCLKS)	V _I = V _{DD}	In input port or external clock input			1	μA
				In resonator connection			10	μA
Input leakage current, low	I _{LIL1}	P00 to P07, P10 to P17, P20 to P27, P30 to P32, P35 to P37, P40 to P47, P50 to P57, P60 to P67, P70 to P77, P106, P107, P110 to P117, P120, P125 to P127, P131 to P136, P140 to P147, P150 to P157, P160 to P167	V _I = EV _{SS0}			-1	μA	
	I _{LIL2}	P33, P34, P80 to P87, P90 to P97, P100 to P105, P137, RESET	V _I = V _{SS}			-1	μA	
	I _{LIL3}	P121 to P124 (X1, X2, XT1, XT2, EXCLK, EXCLKS)	V _I = V _{SS}	In input port or external clock input			-1	μA
				In resonator connection			-10	μA
On-chip pull-up resistance	R _U	P00 to P07, P10 to P17, P20 to P27, P30 to P32, P35 to P37, P40 to P47, P50 to P57, P60 to P67, P70 to P77, P106, P107, P110 to P117, P120, P125 to P127, P131 to P136, P140 to P147, P150 to P157, P160 to P167	V _I = EV _{SS0} , in input port	10	20	100	kΩ	

Caution P10 to P17, P60 to P63, P70 to P72, and P120 do not output high level in N-ch open-drain mode.

Remark Unless specified otherwise, the characteristics of alternate-function pins are the same as those of the port pins.

35.3.2 Supply Current Characteristics

(T_A = -40 to +105°C, 2.7 V ≤ EV_{DD0} = EV_{DD1} = V_{DD} ≤ 5.5 V, V_{SS} = EV_{SS0} = EV_{SS1} = 0 V) (1/3)

Items	Symbol	Conditions					MIN.	TYP.	MAX.	Unit
Supply current ^{Note 1}	IDD1	Operating mode	Normal operation ^{Note 2}	High-speed on-chip oscillator clock operation	f _{IH} = 64 MHz	f _{CLK} = 32 MHz Notes 3, 4		7.8	16.0	mA
					f _{IH} = 32 MHz	f _{CLK} = f _{IH} ^{Notes 3, 4}		7.5	15.0	mA
					f _{IH} = 1 MHz	f _{CLK} = f _{IH} ^{Notes 3, 4}		1.2	2.8	mA
				Resonator operation	f _{MX} = 20 MHz	f _{CLK} = f _{MX} ^{Notes 3, 5}		5.1	10.0	mA
					f _{MX} = 1 MHz	f _{CLK} = f _{MX} ^{Notes 3, 5}		1.1	3.0	mA
				Resonator operation (PLL operation) (PLL input clock = f _{MX})	f _{PLL} = 64 MHz, f _{MX} = 8 MHz	f _{CLK} = 32 MHz Notes 3, 6		7.7	16.0	mA
					f _{PLL} = 32 MHz, f _{MX} = 8 MHz	f _{CLK} = 32 MHz Notes 3, 6		7.7	15.5	mA
					f _{PLL} = 32 MHz, f _{MX} = 4 MHz	f _{CLK} = 32 MHz Notes 3, 6		7.4	15.0	mA
				Subsystem clock operation	f _{SUB} = 32.768 kHz	f _{CLK} = f _{SUB} ^{Note 7}		7.1	90.0	μA
				Low-speed on-chip oscillator clock operation	f _{IL} = 15 kHz	f _{CLK} = f _{IL} ^{Note 8}		3.6	80.0	μA

Notes 1. Total current flowing into V_{DD}, EV_{DD0}, and EV_{DD1}, including the input leakage current flowing when the level of the input pin is fixed to V_{DD}, EV_{DD0}, EV_{DD1}, V_{SS}, EV_{SS0}, or EV_{SS1}. However, not including the current flowing into the I/O buffer and on-chip pull-up/pull-down resistors.

2. Current drawn when all the CPU instructions are executed.

3. The values below the MAX. column include the peripheral operation current (except for background operation (BGO)). However, the LVD circuit, A/D converter, D/A converter, and comparator are stopped.

4. When high-speed system clock, subsystem clock, PLL clock, and low-speed on-chip oscillator clock are stopped.

5. When subsystem clock, PLL clock, high-speed on-chip oscillator clock, and low-speed on-chip oscillator clock are stopped.

6. When subsystem clock, high-speed on-chip oscillator clock, and low-speed on-chip oscillator clock are stopped.

7. When high-speed system clock, PLL clock, high-speed on-chip oscillator clock, and low-speed on-chip oscillator are stopped.

8. When high-speed system clock, subsystem clock, PLL clock, and high-speed on-chip oscillator clock are stopped.

Remarks 1. f_{MX}: High-speed system clock frequency

2. f_{SUB}: Subsystem clock frequency

3. f_{PLL}: PLL clock frequency

4. f_{IH}: High-speed on-chip oscillator clock frequency

5. f_{IL}: Low-speed on-chip oscillator clock frequency

6. f_{CLK}: CPU/peripheral hardware clock frequency

($T_A = -40$ to $+105^\circ\text{C}$, $2.7\text{ V} \leq EV_{DD0} = EV_{DD1} = V_{DD} \leq 5.5\text{ V}$, $V_{SS} = EV_{SS0} = EV_{SS1} = 0\text{ V}$) (2/3)

Items	Symbol	Conditions				MIN.	TYP.	MAX.	Unit
Supply current Notes 1, 3	I _{DD2}	HALT mode Note 2	High-speed on-chip oscillator clock operation	f _{IH} = 64 MHz	f _{CLK} = 32 MHz Note 5		1.3	11.0	mA
				f _{IH} = 32 MHz	f _{CLK} = f _{IH} ^{Note 5}		1.0	10.0	mA
				f _{IH} = 1 MHz	f _{CLK} = f _{IH} ^{Note 5}		0.3	1.7	mA
			Resonator operation	f _{MX} = 20 MHz	f _{CLK} = f _{MX} ^{Note 6}		0.7	7.0	mA
				f _{MX} = 1 MHz	f _{CLK} = f _{MX} ^{Note 6}		0.2	1.7	mA
			Resonator operation (PLL operation) (PLL input clock = f _{MX})	f _{PLL} = 64 MHz, f _{MX} = 8 MHz	f _{CLK} = 32 MHz Note 7		1.2	11.0	mA
				f _{PLL} = 32 MHz, f _{MX} = 8 MHz	f _{CLK} = 32 MHz Note 7		1.1	10.0	mA
				f _{PLL} = 32 MHz, f _{MX} = 4 MHz	f _{CLK} = 32 MHz Note 7		1.0	10.0	mA
			Subsystem clock operation	f _{SUB} = 32.768 kHz	f _{CLK} = f _{SUB} ^{Note 8}		0.7	90.0	μA
			Low-speed on-chip oscillator clock operation	f _{IL} = 15 kHz	f _{CLK} = f _{IL} ^{Note 9}		0.7	80.0	μA
I _{DD3}	STOP mode Note 4	T _A = +25°C				0.5		μA	
		T _A = +50°C					4.5		
		T _A = +70°C					8.0		
		T _A = +105°C					50.0		

- Notes**
- Total current flowing into V_{DD}, EV_{DD0}, and EV_{DD1}, including the input leakage current flowing when the level of the input pin is fixed to V_{DD}, EV_{DD0}, EV_{DD1}, V_{SS}, EV_{SS0}, or EV_{SS1}. However, not including the current flowing into the I/O buffer and on-chip pull-up/pull-down resistors.
 - When HALT mode is entered during fetch from the flash memory.
 - The values below the MAX. column include the peripheral operation current and STOP leakage current. However, the watchdog timer, LVD circuit, A/D converter, D/A converter, and comparator are stopped.
 - When high-speed system clock, subsystem clock, PLL clock, high-speed on-chip oscillator clock, and low-speed on-chip oscillator clock are stopped.
 - When high-speed system clock, subsystem clock, PLL clock, and low-speed on-chip oscillator clock are stopped.
 - When subsystem clock, PLL clock, high-speed on-chip oscillator clock, and low-speed on-chip oscillator clock are stopped.
 - When subsystem clock, high-speed on-chip oscillator clock, and low-speed on-chip oscillator clock are stopped.
 - When high-speed system clock, PLL clock, high-speed on-chip oscillator clock, and low-speed on-chip oscillator clock are stopped.
 - When high-speed system clock, subsystem clock, PLL clock, and high-speed on-chip oscillator clock are stopped.

- Remarks**
1. f_{MX} : High-speed system clock frequency
 2. f_{SUB} : Subsystem clock frequency
 3. f_{PLL} : PLL clock frequency
 4. f_{IH} : High-speed on-chip oscillator clock frequency
 5. f_{IL} : Low-speed on-chip oscillator clock frequency
 6. f_{CLK} : CPU/peripheral hardware clock frequency

($T_A = -40$ to $+105^\circ\text{C}$, $2.7\text{ V} \leq EV_{DD0} = EV_{DD1} = V_{DD} \leq 5.5\text{ V}$, $V_{SS} = EV_{SS0} = EV_{SS1} = 0\text{ V}$) (3/3)

Items	Symbol	Conditions			MIN.	TYP.	MAX.	Unit
Supply current ^{Notes 1, 2}	I _{SNOZ}	SNOOZE mode	A/D converter operation	During mode transition		1.0	1.7	mA
				During conversion	Low-voltage mode AV _{REFP} = V _{DD} = 5.0 V		2.1	3.4
			DTC operation			5.5		mA

Notes 1. Total current flowing into V_{DD}, EV_{DD0}, and EV_{DD1}, including the input leakage current flowing when the level of the input pin is fixed to V_{DD}, EV_{DD0}, EV_{DD1}, V_{SS}, EV_{SS0}, or EV_{SS1}. However, not including the current flowing into the I/O buffer and on-chip pull-up/pull-down resistors.

2. The values below the MAX. column include the STOP leakage current.

($T_A = -40$ to $+105^\circ\text{C}$, $2.7\text{ V} \leq EV_{DD0} = EV_{DD1} = V_{DD} \leq 5.5\text{ V}$, $V_{SS} = EV_{SS0} = EV_{SS1} = 0\text{ V}$)

Parameter	Symbol	Conditions		MIN.	TYP.	MAX.	Unit
Window watchdog timer operating current	I_{WDT} ^{Notes 1, 2}	$f_{IL} = 15\text{ kHz}$			0.22		μA
A/D converter operating current	I_{ADC} ^{Note 3}	When conversion at maximum speed	Normal mode, $AV_{REFP} = V_{DD} = 5.0\text{ V}$		1.3	1.7	mA
		When internal reference voltage is selected ^{Note 5}			75.0		μA
LVD operating current	I_{LVD} ^{Note 4}				0.08		μA
Temperature sensor operating current	I_{TMPS}				75.0		μA
D/A converter operating current	I_{DAC}	Per channel			0.8	1.5	mA
Comparator operating current	I_{CMP}				50.0		μA
BGO operating current	I_{BGO} ^{Note 6}				2.50	12.20	mA

- Notes**
- When the high-speed on-chip oscillator clock and high-speed system clock are stopped.
 - Current flowing only to the watchdog timer (including the operation current of the 1.5 kHz on-chip oscillator). The current value is the sum of I_{DD1} , I_{DD2} , or I_{DD3} and I_{WDT} when the watchdog timer operates in STOP mode.
 - Current flowing only to the A/D converter. The current value is the sum of I_{DD1} or I_{DD2} and I_{ADC} when the A/D converter operates in operation mode or HALT mode.
 - Current flowing only to the LVD circuit. The current value is the sum of I_{DD1} , I_{DD2} , or I_{DD3} and I_{LVD} when the LVD circuit operates in operation mode, HALT mode, or STOP mode.
 - Operating current that increases when the internal reference voltage is selected. This current flows even when conversion is stopped.
 - Current increased by the BGO operation. The current value is the sum of I_{DD1} or I_{DD2} and I_{BGO} when the BGO operates in operation mode or HALT mode.

35.4 AC Characteristics

35.4.1 Basic Operation

($T_A = -40$ to $+105^\circ\text{C}$, $2.7\text{ V} \leq EV_{DD0} = EV_{DD1} = V_{DD} \leq 5.5\text{ V}$, $V_{SS} = EV_{SS0} = EV_{SS1} = 0\text{ V}$) (1/2)

Parameter	Symbol	Conditions	MIN.	TYP.	MAX.	Unit
Instruction cycle (minimum instruction execution time)	T_{CY}	High-speed on-chip oscillator clock operation	0.03125		1	μs
		High-speed system clock operation	0.05		1	μs
		PLL clock operation	0.03125		1	μs
		Subsystem clock operation	28.5	30.5	34.5	μs
		Low-speed on-chip oscillator clock operation		66.6		μs
		In self programming mode	0.03125		1	μs
CPU/peripheral hardware clock frequency	f_{CLK}		0.03125		66.6	μs
External system clock frequency	f_{EX}		1.0		20.0	MHz
	f_{EXS}		29		35	kHz
External system clock input high-level width, low-level width	t_{EXH} , t_{EXL}		24			ns
	t_{EXHS} , t_{EXLS}		13.7			μs
TI00 to TI07, TI10 to TI17, TI20 to TI27 input high-level width, low-level width	t_{TIH} , t_{TIL}		$1/f_{MCK} + 10$			ns
TO00 to TO07, TO10 to TO17, TO20 to TO27 output frequency	f_{TO}	All TO pins, Normal slew rate, $C = 30\text{ pF}$	$4.0\text{ V} \leq EV_{DD0} \leq 5.5\text{ V}$		16	MHz
			$2.7\text{ V} \leq EV_{DD0} < 4.0\text{ V}$		8	MHz
		TO01, TO06, TO07, TO11, TO13 only, Special slew rate, $C = 30\text{ pF}$			2	MHz
PCLBUZ0 output frequency	f_{PCL}	Normal slew rate $C = 30\text{ pF}$	$4.0\text{ V} \leq EV_{DD0} \leq 5.5\text{ V}$		16	MHz
			$2.7\text{ V} \leq EV_{DD0} < 4.0\text{ V}$		8	MHz
		Special slew rate $C = 30\text{ pF}$			2	MHz
Timer RJ input cycle	t_C	TRJIO0	100			ns
Timer RJ input high-level width, low-level width	t_{WH} , t_{WL}	TRJIO0	40			ns
Interrupt input high-level width, low-level width	t_{INTH} , t_{INTL}	INTP0 to INTP15 ^{Note}	1			μs
KR0 to KR7 key interrupt input low-level width	t_{KR}		250			ns
$\overline{\text{RESET}}$ low-level width	t_{RSL}		10			μs

Note Pins RESET, INTP0 to INTP3, INTP12, and INTP13 have noise filters for transient levels lasting less than 100 ns.

Caution Excluding the error in oscillation frequency accuracy.

Remark f_{MCK} : Timer array unit operation clock frequency

($T_A = -40$ to $+105^\circ\text{C}$, $2.7\text{ V} \leq EV_{DD0} = EV_{DD1} = V_{DD} \leq 5.5\text{ V}$, $V_{SS} = EV_{SS0} = EV_{SS1} = 0\text{ V}$) (2/2)

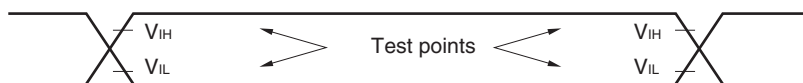
Parameter	Symbol	Conditions	MIN.	TYP.	MAX.	Unit	
Port output rise time, port output fall time	t_{RO}, t_{FO}	P00 to P07, P10 to P17, P20 to P27, P30 to P32, P35 to P37, P40 to P47, P50 to P57, P60 to P67, P70 to P77, P106, P107, P110 to P117, P120, P125 to P127, P130 to P136, P140 to P147, P150 to 157, P160 to 167 (normal slew rate) C = 30 pF	$4.0\text{ V} \leq EV_{DD0} \leq 5.5\text{ V}$			25	ns
			$2.7\text{ V} \leq EV_{DD0} < 4.0\text{ V}$			55	ns
		P10, P12, P14, P30, P120, P140 (special slew rate) C = 30 pF	$4.0\text{ V} \leq EV_{DD0} \leq 5.5\text{ V}$		25 ^{Note}	60	ns
			$2.7\text{ V} \leq EV_{DD0} < 4.0\text{ V}$			100	ns

Note $T_A = +25^\circ\text{C}$, $EV_{DD0} = 5.0\text{ V}$

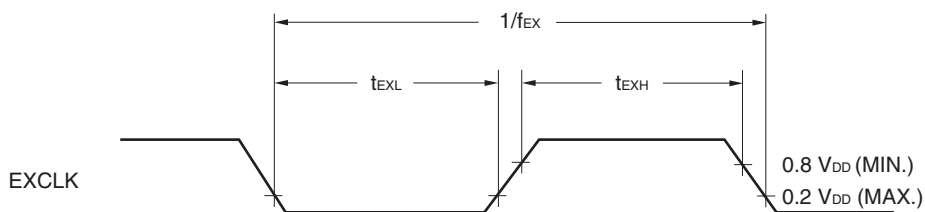
Caution Excluding the error in oscillation frequency accuracy.

Remark f_{MCK} : Timer array unit operation clock frequency

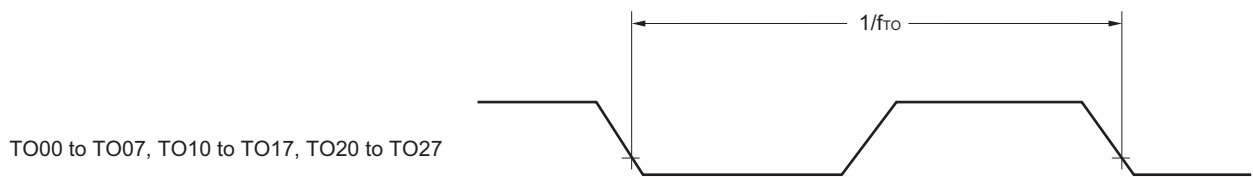
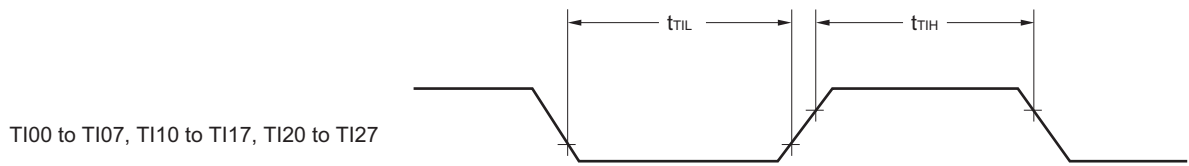
AC Timing Test Points



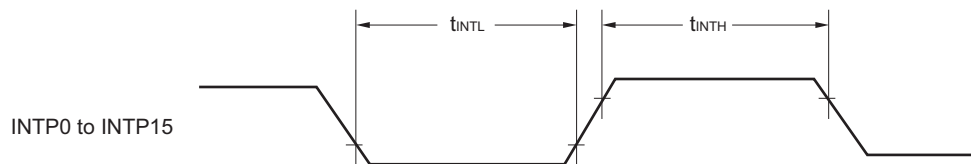
External System Clock Timing



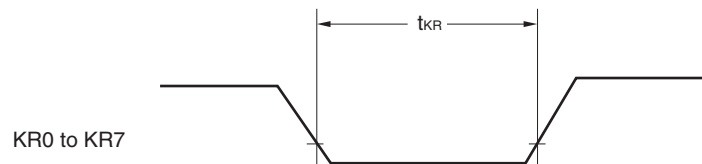
TI/TO Timing



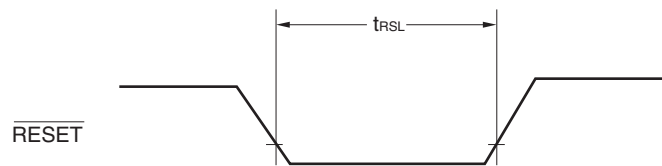
Interrupt Request Input Timing



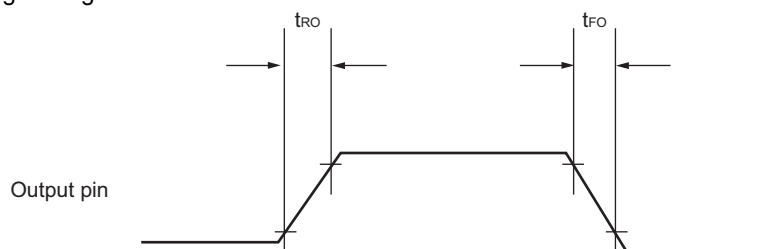
Key Interrupt Input Timing



$\overline{\text{RESET}}$ Input Timing



Output Rising and Falling Timing



35.5 Peripheral Functions Characteristics

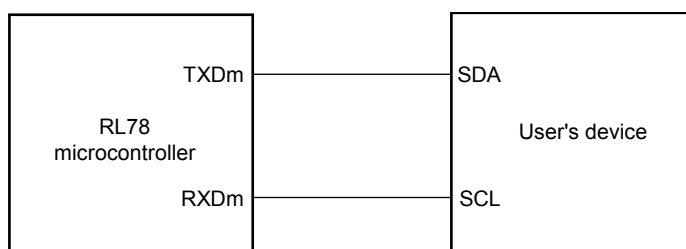
35.5.1 Serial Array Unit

(1) During communication at same potential (UART mode) (dedicated baud rate generator output)

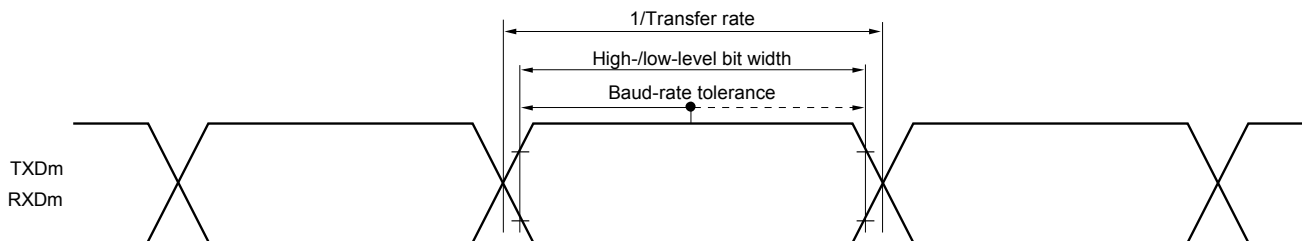
($T_A = -40$ to $+105^\circ\text{C}$, $2.7\text{ V} \leq EV_{DD0} = EV_{DD1} = V_{DD} \leq 5.5\text{ V}$, $V_{SS} = EV_{SS0} = EV_{SS1} = 0\text{ V}$)

Parameter	Symbol	Conditions	MIN.	TYP.	MAX.	Unit
Transfer rate	-				$f_{MCK}/6$	bps
		$f_{CLK} = 32\text{ MHz}$,	Normal slew rate		5.3	Mbps
		$f_{MCK} = f_{CLK}$		Special slew rate		2

UART mode connection diagram (during communication at same potential)



UART mode bit width (during communication at same potential) (reference)



Caution Select the normal input buffer for the RXD0 pin and RXD1 pin (RXD2 pin is fixed to normal input mode) and normal output mode for the TXD0 pin and TXD1 pin (TXD2 pin is fixed to normal output mode).

- Remarks**
- f_{MCK} : Serial array unit operation clock frequency
 - m: Unit m (m = 0 to 2)

(2) During communication at same potential (CSI mode) (master mode, $\overline{\text{SCKp}}$... internal clock output, normal slew rate)

($T_A = -40$ to $+105^\circ\text{C}$, $2.7\text{ V} \leq \text{EV}_{\text{DD0}} = \text{EV}_{\text{DD1}} = \text{V}_{\text{DD}} \leq 5.5\text{ V}$, $\text{V}_{\text{SS}} = \text{EV}_{\text{SS0}} = \text{EV}_{\text{SS1}} = 0\text{ V}$)

Parameter	Symbol	Conditions	MIN.	TYP.	MAX.	Unit
$\overline{\text{SCKp}}$ cycle time	t_{CY1}		125 ^{Note 4}			ns
$\overline{\text{SCKp}}$ high-level width, low-level width	t_{KH1}	$4.0\text{ V} \leq \text{EV}_{\text{DD0}} \leq 5.5\text{ V}$	$t_{\text{CY1}}/2 - 12$			ns
	t_{KL1}	$2.7\text{ V} \leq \text{EV}_{\text{DD0}} < 4.0\text{ V}$	$t_{\text{CY1}}/2 - 18$			ns
Slp setup time (to $\overline{\text{SCKp}}\uparrow$) ^{Note 1}	t_{SIK1}	$4.0\text{ V} \leq \text{EV}_{\text{DD0}} \leq 5.5\text{ V}$	44			ns
		$2.7\text{ V} \leq \text{EV}_{\text{DD0}} < 4.0\text{ V}$	55			ns
Slp hold time (from $\overline{\text{SCKp}}\uparrow$) ^{Note 2}	t_{SH1}		30			ns
Delay time from $\overline{\text{SCKp}}\downarrow$ to SOp output	t_{KSO1}	$C = 30\text{ pF}$ ^{Note 3}			40	ns

- Notes**
1. When $\text{DAPmn} = 0$ and $\text{CKPmn} = 0$, or $\text{DAPmn} = 1$ and $\text{CKPmn} = 1$. The Slp setup time becomes "to $\overline{\text{SCKp}}\downarrow$ " when $\text{DAPmn} = 0$ and $\text{CKPmn} = 1$ or $\text{DAPmn} = 1$ and $\text{CKPmn} = 0$.
 2. When $\text{DAPmn} = 0$ and $\text{CKPmn} = 0$ or $\text{DAPmn} = 1$ and $\text{CKPmn} = 1$. The Slp hold time becomes "from $\overline{\text{SCKp}}\downarrow$ " when $\text{DAPmn} = 0$ and $\text{CKPmn} = 1$ or $\text{DAPmn} = 1$ and $\text{CKPmn} = 0$.
 3. C is the load capacitance of the $\overline{\text{SCKp}}$ and SOp output lines.
 4. $t_{\text{CY1}} \geq 4/f_{\text{CLK}}$ must also be satisfied.

Caution Select the normal input buffer for the Slp pin and normal output mode for the SOp pin and $\overline{\text{SCKp}}$ pin.

Remark p: CSIp (p = 00, 01, 10, 11, 20, 21), m: Unit m (m = 0 to 2), n: Channel n (n = 0, 1)

(3) During communication at same potential (CSI mode) (master mode, $\overline{\text{SCKp}}$... internal clock output, special slew rate)

($T_A = -40$ to $+105^\circ\text{C}$, $4.0\text{ V} \leq \text{EV}_{\text{DD0}} = \text{EV}_{\text{DD1}} = \text{V}_{\text{DD}} \leq 5.5\text{ V}$, $\text{V}_{\text{SS}} = \text{EV}_{\text{SS0}} = \text{EV}_{\text{SS1}} = 0\text{ V}$)

Parameter	Symbol	Conditions	MIN.	TYP.	MAX.	Unit
$\overline{\text{SCKp}}$ cycle time	t_{CY1}		500 ^{Note 4}			ns
$\overline{\text{SCKp}}$ high-level width, low-level width	t_{KH1} , t_{KL1}		$t_{\text{CY1}}/2 - 60$			ns
Slp setup time (to $\overline{\text{SCKp}}\uparrow$) ^{Note 1}	t_{SIK1}		120			ns
Slp hold time (from $\overline{\text{SCKp}}\uparrow$) ^{Note 2}	t_{SIH1}		80			ns
Delay time from $\overline{\text{SCKp}}\downarrow$ to SOp output	t_{KSO1}	$C = 30\text{ pF}$ ^{Note 3}			90	ns

- Notes**
1. When $\text{DAPmn} = 0$ and $\text{CKPmn} = 0$, or $\text{DAPmn} = 1$ and $\text{CKPmn} = 1$. The Slp setup time becomes "to $\overline{\text{SCKp}}\downarrow$ " when $\text{DAPmn} = 0$ and $\text{CKPmn} = 1$ or $\text{DAPmn} = 1$ and $\text{CKPmn} = 0$.
 2. When $\text{DAPmn} = 0$ and $\text{CKPmn} = 0$ or $\text{DAPmn} = 1$ and $\text{CKPmn} = 1$. The Slp hold time becomes "from $\overline{\text{SCKp}}\uparrow$ " when $\text{DAPmn} = 0$ and $\text{CKPmn} = 1$ or $\text{DAPmn} = 1$ and $\text{CKPmn} = 0$.
 3. C is the load capacitance of the $\overline{\text{SCKp}}$ and SOp output lines.
 4. $t_{\text{CY1}} \geq 4/f_{\text{CLK}}$ must also be satisfied.

Caution Select the normal input buffer for the Slp pin and normal output mode and special slew rate for the SOp pin and $\overline{\text{SCKp}}$ pin.

Remark p: CSIp (p = 00, 01, 10, 11), m: Unit m (m = 0, 1), n: Channel n (n = 0, 1)

(4) During communication at same potential (CSI mode) (slave mode, $\overline{\text{SCKp}}$... external clock input, normal slew rate)

($T_A = -40$ to $+105^\circ\text{C}$, $2.7\text{ V} \leq \text{EV}_{\text{DD0}} = \text{EV}_{\text{DD1}} = \text{V}_{\text{DD}} \leq 5.5\text{ V}$, $\text{V}_{\text{SS}} = \text{EV}_{\text{SS0}} = \text{EV}_{\text{SS1}} = 0\text{ V}$)

Parameter	Symbol	Conditions		MIN.	TYP.	MAX.	Unit
$\overline{\text{SCKp}}$ cycle time ^{Note 4}	t_{KCY2}			$8/f_{\text{MCK}}$			ns
$\overline{\text{SCKp}}$ high-level width, low-level width	t_{KH2} , t_{KL2}			$t_{\text{KCY2}}/2$			ns
Slp setup time (to $\overline{\text{SCKp}}\uparrow$) ^{Note 1}	t_{SIK2}			$1/f_{\text{MCK}} + 20$			ns
Slp hold time (from $\overline{\text{SCKp}}\uparrow$) ^{Note 2}	t_{KSI2}			$1/f_{\text{MCK}} + 31$			ns
Delay time from $\overline{\text{SCKp}}\downarrow$ to SOp output	t_{KSO2}	$C = 30\text{ pF}$ ^{Note 3}	$4.0\text{V} \leq \text{V}_{\text{DD}} = \text{EV}_{\text{DD0}} = \text{EV}_{\text{DD1}} \leq 5.5\text{V}$			$2/f_{\text{MCK}} + 44$	ns
			$2.7\text{V} \leq \text{V}_{\text{DD}} = \text{EV}_{\text{DD0}} = \text{EV}_{\text{DD1}} < 4.0\text{V}$			$2/f_{\text{MCK}} + 57$	ns
$\overline{\text{SSIp}}$ setup time	t_{SSIK}	DAP = 0		120			ns
		DAP = 1		$1/f_{\text{MCK}} + 120$			ns
$\overline{\text{SSIp}}$ hold time	t_{KSSI}	DAP = 0		$1/f_{\text{MCK}} + 120$			ns
		DAP = 1		120			ns

- Notes**
- When $\text{DAP}_{\text{mn}} = 0$ and $\text{CKP}_{\text{mn}} = 0$, or $\text{DAP}_{\text{mn}} = 1$ and $\text{CKP}_{\text{mn}} = 1$. The Slp setup time becomes "to $\overline{\text{SCKp}}\downarrow$ " when $\text{DAP}_{\text{mn}} = 0$ and $\text{CKP}_{\text{mn}} = 1$ or $\text{DAP}_{\text{mn}} = 1$ and $\text{CKP}_{\text{mn}} = 0$.
 - When $\text{DAP}_{\text{mn}} = 0$ and $\text{CKP}_{\text{mn}} = 0$ or $\text{DAP}_{\text{mn}} = 1$ and $\text{CKP}_{\text{mn}} = 1$. The Slp hold time becomes "from $\overline{\text{SCKp}}\downarrow$ " when $\text{DAP}_{\text{mn}} = 0$ and $\text{CKP}_{\text{mn}} = 1$ or $\text{DAP}_{\text{mn}} = 1$ and $\text{CKP}_{\text{mn}} = 0$.
 - C is the load capacitance of the $\overline{\text{SCKp}}$ and SOp output lines.
 - The transfer rate is MAX. 1 Mbps in SNOOSE mode.

Caution Select the normal input buffer for the Slp, $\overline{\text{SCKp}}$ and $\overline{\text{SSIp}}$ pins and normal output mode for the SOp pin.

- Remarks**
- p: CSIp (p = 00, 01, 10, 11, 20, 21), $\overline{\text{SSIp}}$ (p = 00, 01, 10, 11), m: Unit m (m = 0 to 2), n: Channel n (n = 0, 1)
 - f_{MCK} : Serial array unit operation clock frequency

(5) During communication at same potential (CSI mode) (slave mode, $\overline{\text{SCKp}}$... external clock input, special slew rate)**($T_A = -40$ to $+105^\circ\text{C}$, $4.0\text{ V} \leq \text{EV}_{\text{DD}0} = \text{EV}_{\text{DD}1} = \text{V}_{\text{DD}} \leq 5.5\text{ V}$, $\text{V}_{\text{SS}} = \text{EV}_{\text{SS}0} = \text{EV}_{\text{SS}1} = 0\text{ V}$)**

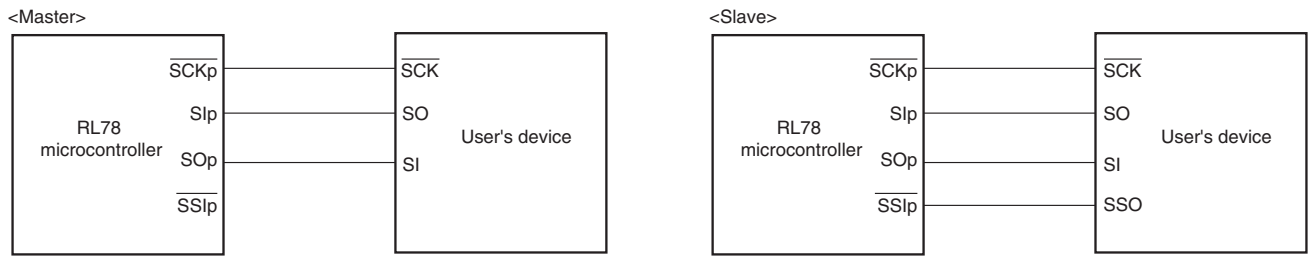
Parameter	Symbol	Conditions	MIN.	TYP.	MAX.	Unit
$\overline{\text{SCKp}}$ cycle time	$t_{\text{KCY}2}$	$20\text{ MHz} < f_{\text{MCK}}$	$10/f_{\text{MCK}}$			ns
		$10\text{ MHz} < f_{\text{MCK}} \leq 20\text{ MHz}$	$8/f_{\text{MCK}}$			ns
		$f_{\text{MCK}} \leq 10\text{ MHz}$	$6/f_{\text{MCK}}$			ns
$\overline{\text{SCKp}}$ high-level width, low-level width	$t_{\text{KH}2}$, $t_{\text{KL}2}$		$t_{\text{KCY}2}/2$			ns
Slp setup time (to $\overline{\text{SCKp}}\uparrow$) ^{Note 1}	$t_{\text{SIK}2}$		$1/f_{\text{MCK}} + 50$			ns
Slp hold time (from $\overline{\text{SCKp}}\uparrow$) ^{Note 2}	$t_{\text{KS}2}$		$1/f_{\text{MCK}} + 50$			ns
Delay time from $\overline{\text{SCKp}}\downarrow$ to SOp output	$t_{\text{KSO}2}$	$C = 30\text{ pF}$ ^{Note 3}			$2/f_{\text{MCK}} + 80$	ns
$\overline{\text{SSIp}}$ setup time	$t_{\text{SSI}K}$	DAP = 0	120			ns
		DAP = 1	$1/f_{\text{MCK}} + 120$			ns
$\overline{\text{SSIp}}$ hold time	t_{KSSI}	DAP = 0	$1/f_{\text{MCK}} + 120$			ns
		DAP = 1	120			ns

- Notes**
- When DAP_m = 0 and CKP_m = 0, or DAP_m = 1 and CKP_m = 1. The Slp setup time becomes "to $\overline{\text{SCKp}}\downarrow$ " when DAP_m = 0 and CKP_m = 1 or DAP_m = 1 and CKP_m = 0.
 - When DAP_m = 0 and CKP_m = 0 or DAP_m = 1 and CKP_m = 1. The Slp hold time becomes "from $\overline{\text{SCKp}}\downarrow$ " when DAP_m = 0 and CKP_m = 1 or DAP_m = 1 and CKP_m = 0.
 - C is the load capacitance of the $\overline{\text{SCKp}}$ and SOp output lines.

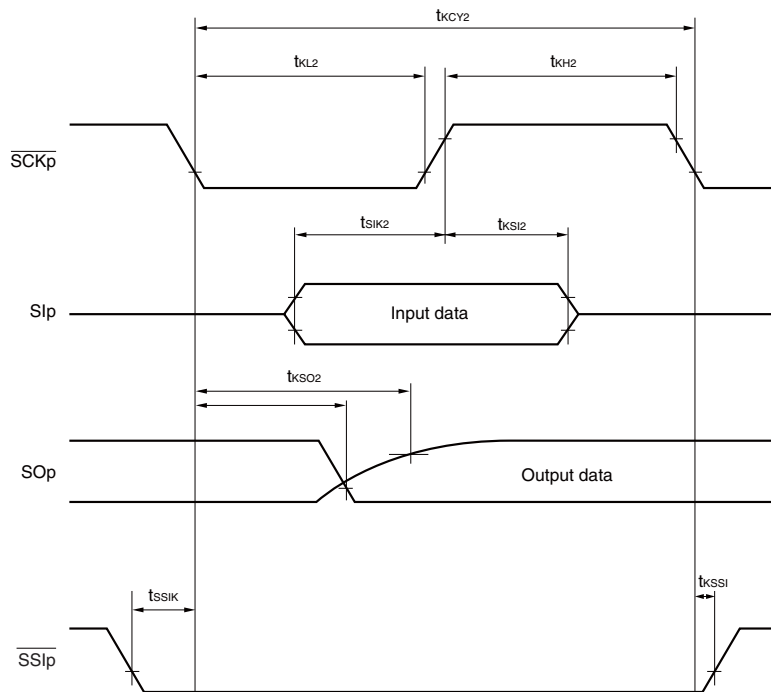
Caution Select the normal input buffer for the Slp, $\overline{\text{SCKp}}$ and $\overline{\text{SSIp}}$ pins and normal output mode and special slew rate for the SOp pin.

- Remarks**
- p: CSIp (p = 00, 01, 10, 11), m: Unit m (m = 0, 1), n: Channel n (n = 0, 1)
 - f_{MCK} : Serial array unit operation clock frequency

CSI mode connection diagram (during communication at same potential)

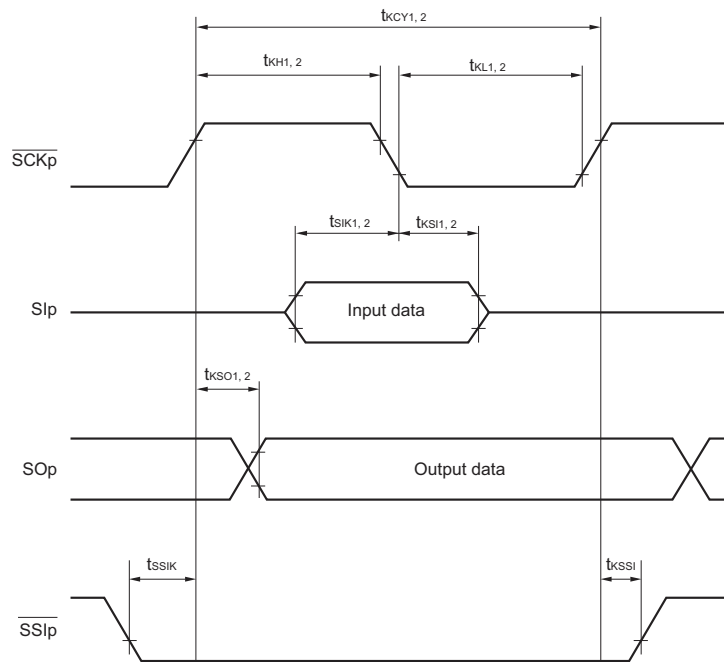


CSI mode serial transfer timing (during communication at same potential)
(When DAPmn = 0 and CKPmn = 0, or DAPmn = 1 and CKPmn = 1)



Remark p: CSIp (p = 00, 01, 10, 11, 20, 21), $\overline{\text{SSIp}}$ (p = 00, 01, 10, 11), m: Unit m (m = 0 to 2), n: Channel n (n = 0, 1)

CSI mode serial transfer timing (during communication at same potential)
 (When DAPmn = 0 and CKPmn = 1, or DAPmn = 1 and CKPmn = 0)



Remark p: CSIp (p = 00, 01, 10, 11, 20, 21), \overline{SSIp} (p = 00, 01, 10, 11), m: Unit m (m = 0 to 2), n: Channel n (n = 0, 1)

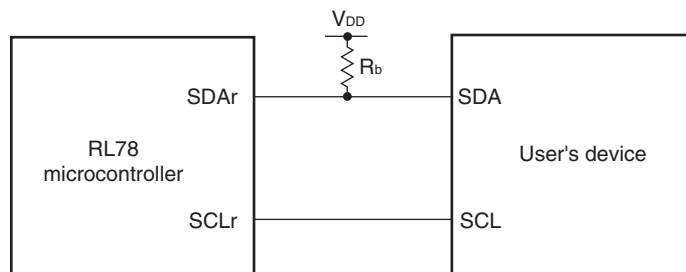
(6) During communication at same potential (simplified I²C mode)
(SDAr: N-ch open-drain output (EV_{DD0} tolerance) mode, SCLr: normal output mode)

(T_A = -40 to +105°C, 2.7 V ≤ EV_{DD0} = EV_{DD1} = V_{DD} ≤ 5.5 V, V_{SS} = EV_{SS0} = EV_{SS1} = 0 V)

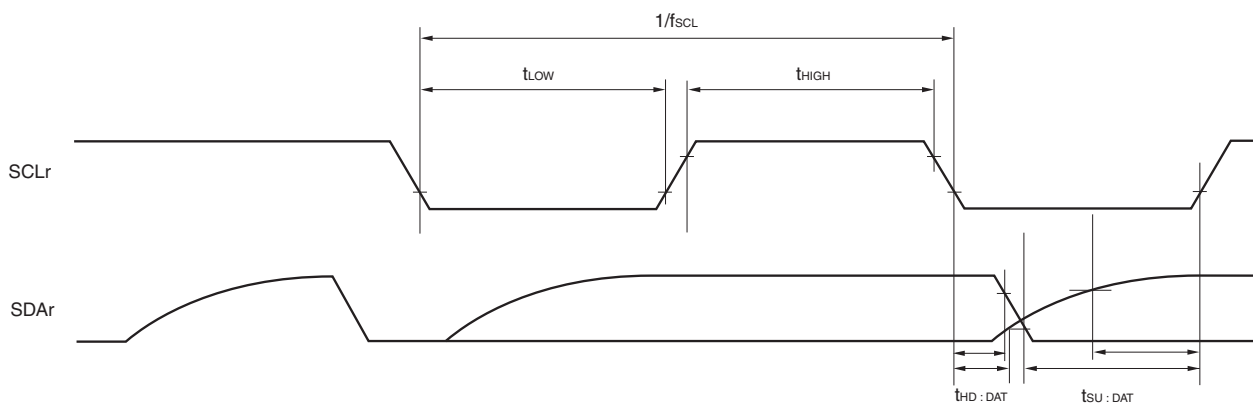
Parameter	Symbol	Conditions	MIN.	TYP.	MAX.	Unit
SCLr clock frequency	f _{SCL}				1000 ^{Note}	kHz
Hold time when SCLr = "L"	t _{LOW}		475			ns
Hold time when SCLr = "H"	t _{HIGH}		475			ns
Data setup time (reception)	t _{SU:DAT}		1/f _{MCK} + 85			ns
Data hold time (transmission)	t _{HD:DAT}	C _b = 50 pF, R _b = 2.7 kΩ	0		305	ns

Note f_{CLK} ≤ f_{MCK}/4 must also be satisfied.

Simplified I²C mode connection diagram (during communication at same potential)



Simplified I²C mode serial transfer timing (during communication at same potential)



Caution Select the normal input buffer and N-ch open-drain output mode for the SDAr pin and normal output mode for the SCLr pin.

- Remarks**
1. R_b [Ω]: Communication line (SDAr) pull-up resistance, C_b [F]: Communication line (SCLr, SDAr) load capacitance
 2. r: IICr (r = 00, 01, 10, 11)
 3. f_{MCK}: Serial array unit operation clock frequency

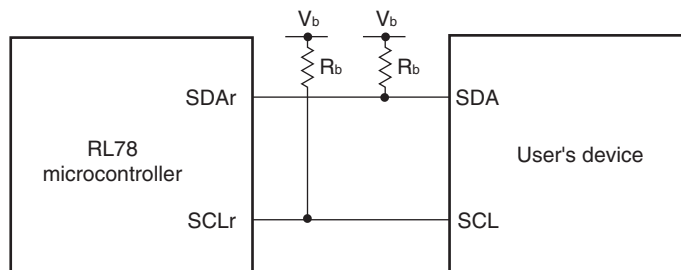
(7) During communication at same potential (simplified I²C mode) (SDAr and SCLr: N-ch open-drain output (EV_{DD0} tolerance) mode)

(T_A = -40 to +105°C, 2.7 V ≤ EV_{DD0} = EV_{DD1} = V_{DD} ≤ 5.5 V, V_{SS} = EV_{SS0} = EV_{SS1} = 0 V)

Parameter	Symbol	Conditions	MIN.	MAX.	Unit
SCLr clock frequency	f _{SCL}			400 ^{Note}	kHz
Hold time when SCLr = "L"	t _{LOW}	4.0 V ≤ V _{DD} ≤ 5.5 V, C _b = 100 pF, R _b = 1.7 kΩ	1300		ns
		2.7 V ≤ V _{DD} < 4.0 V, C _b = 100 pF, R _b = 2.7 kΩ			
Hold time when SCLr = "H"	t _{HIGH}	4.0 V ≤ V _{DD} ≤ 5.5 V, C _b = 100 pF, R _b = 1.7 kΩ	600		ns
		2.7 V ≤ V _{DD} < 4.0 V, C _b = 100 pF, R _b = 2.7 kΩ			
Data setup time (reception)	t _{SU: DAT}	4.0 V ≤ V _{DD} ≤ 5.5 V, C _b = 100 pF, R _b = 1.7 kΩ	1/f _{MCK} + 120		ns
		2.7 V ≤ V _{DD} < 4.0 V, C _b = 100 pF, R _b = 2.7 kΩ	1/f _{MCK} + 270		ns
Data hold time (transmission)	t _{HD: DAT}	4.0 V ≤ V _{DD} ≤ 5.5 V, C _b = 100 pF, R _b = 1.7 kΩ	0	300	ns
		2.7 V ≤ V _{DD} < 4.0 V, C _b = 100 pF, R _b = 2.7 kΩ			

Note f_{CLK} ≤ f_{MCK}/4 must also be satisfied.

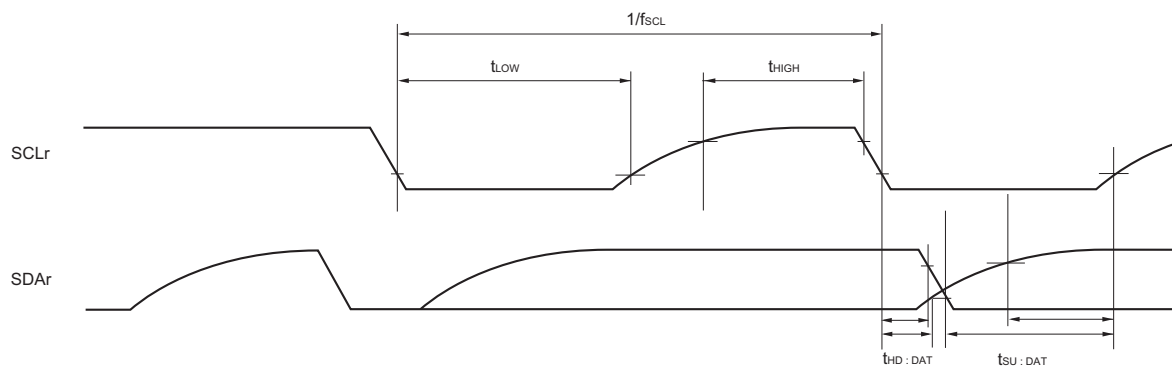
Simplified I²C mode connection diagram (during communication at same potential)



Caution Select the normal input buffer and N-ch open-drain output mode for the SDAr pin and SCLr pin.

- Remarks**
1. R_b [Ω]: Communication line (SDAr, SCLr) pull-up resistance, C_b [F]: Communication line (SDAr, SCLr) load capacitance, V_b[V]: Communication line voltage
 2. r: IICr (r = 00, 01, 10, 11)
 3. f_{MCK}: Serial array unit operation clock frequency

Simplified I²C mode serial transfer timing (during communication at same potential)



Remark r: IICr (r = 00, 01, 10, 11)

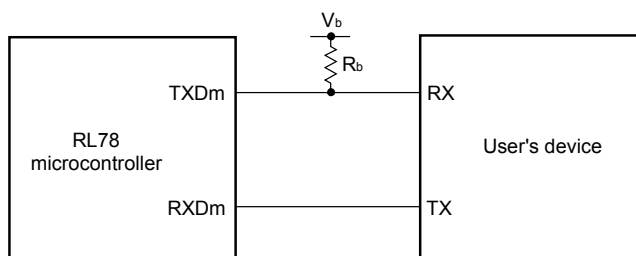
(8) Communication at different potential (UART mode) (TXD output buffer: N-ch open-drain, RXD input buffer: TTL)

($T_A = -40$ to $+105^\circ\text{C}$, $4.0\text{ V} \leq EV_{DD0} = EV_{DD1} = V_{DD} \leq 5.5\text{ V}$, $V_{SS} = EV_{SS0} = EV_{SS1} = 0\text{ V}$)

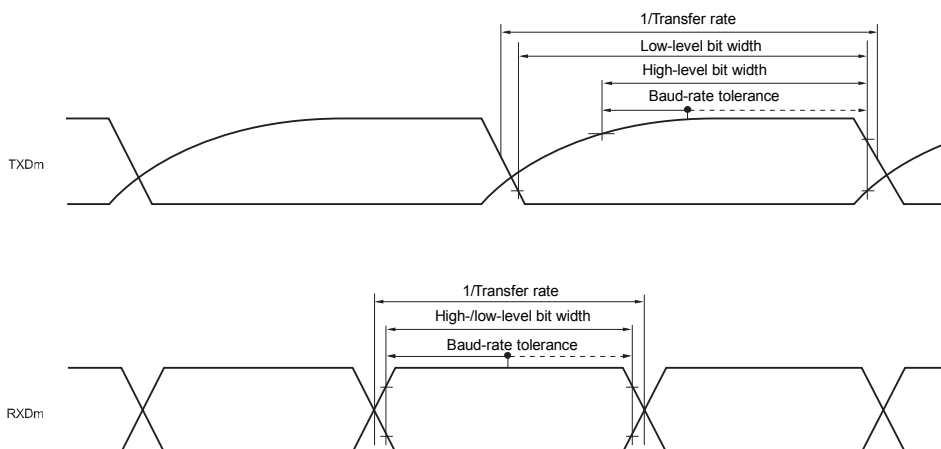
Parameter	Symbol	Conditions		MIN.	TYP.	MAX.	Unit
Transfer rate	-	Reception	$2.7\text{ V} \leq V_b \leq EV_{DD0}$, $V_{IH} = 2.2\text{ V}$, $V_{IL} = 0.8\text{ V}$			$f_{MCK}/6$	bps
						Theoretical value of the maximum transfer rate ^{Note} ($C_b = 30\text{ pF}$)	5.3
		Transmission	$2.7\text{ V} \leq V_b \leq EV_{DD0}$, $V_{OH} = 2.2\text{ V}$, $V_{OL} = 0.8\text{ V}$			Smaller number of the values given by $f_{MCK}/6$ and expression 1 is applicable.	bps
						Theoretical value of the maximum transfer rate ^{Note} ($C_b = 30\text{ pF}$) Normal slew rate	5.3

Note Expression 1: Maximum transfer rate = $1 / \{[-C_b \times R_b \times \ln(1 - 2.2/V_b)] \times 3\}$

UART mode connection diagram (during communication at different potential)



UART mode bit width (during communication at different potential) (reference)



Caution Select the TTL input buffer for the RXD0 pin and RXD1 pin and N-ch open-drain output mode for the TXD0 pin and TXD1 pin.

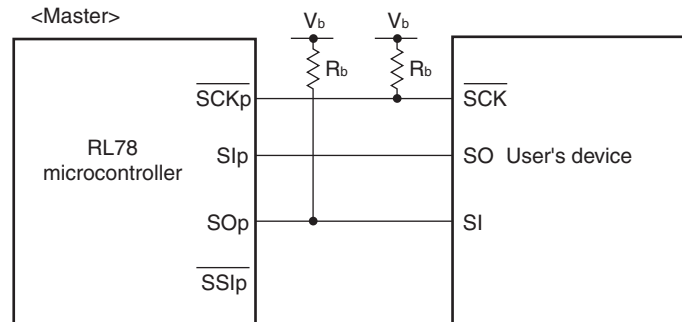
- Remarks**
1. R_b [Ω]: Communication line (TXD) pull-up resistance, C_b [F]: Communication line (TXD) load capacitance, V_b [V]: Communication line voltage
 2. f_{MCK} : Serial array unit operation clock frequency
 3. m : Unit m ($m = 0, 1$)

(9) During communication at different potential (3-V supply system) (CSI mode) (master mode, $\overline{\text{SCKp}}$... internal clock output, normal slew rate)**($T_A = -40$ to $+105^\circ\text{C}$, $4.0\text{ V} \leq \text{EV}_{\text{DD0}} = \text{EV}_{\text{DD1}} = \text{V}_{\text{DD}} \leq 5.5\text{ V}$, $\text{V}_{\text{SS}} = \text{EV}_{\text{SS0}} = \text{EV}_{\text{SS1}} = 0\text{ V}$)**

Parameter	Symbol	Conditions	MIN.	TYP.	MAX.	Unit
$\overline{\text{SCKp}}$ cycle time	t_{CY1}	$2.7\text{ V} \leq V_b \leq \text{EV}_{\text{DD0}}$, $C_b = 30\text{ pF}$, $R_b = 1.4\text{ k}\Omega$	400 ^{Note3}			ns
$\overline{\text{SCKp}}$ high-level width	t_{KH1}	$2.7\text{ V} \leq V_b \leq \text{EV}_{\text{DD0}}$, $C_b = 30\text{ pF}$, $R_b = 1.4\text{ k}\Omega$	$t_{\text{CY1}}/2 - 75$			ns
$\overline{\text{SCKp}}$ low-level width	t_{KL1}	$2.7\text{ V} \leq V_b \leq \text{EV}_{\text{DD0}}$, $C_b = 30\text{ pF}$, $R_b = 1.4\text{ k}\Omega$	$t_{\text{CY1}}/2 - 20$			ns
Slp setup time (to $\overline{\text{SCKp}}\uparrow$) ^{Note 1}	t_{SIK1}	$2.7\text{ V} \leq V_b \leq \text{EV}_{\text{DD0}}$, $C_b = 30\text{ pF}$, $R_b = 1.4\text{ k}\Omega$	150			ns
Slp setup time (to $\overline{\text{SCKp}}\downarrow$) ^{Note 2}	t_{SIK1}	$2.7\text{ V} \leq V_b \leq \text{EV}_{\text{DD0}}$, $C_b = 30\text{ pF}$, $R_b = 1.4\text{ k}\Omega$	70			ns
Slp hold time (from $\overline{\text{SCKp}}\uparrow$) ^{Note 1}	t_{SH1}	$2.7\text{ V} \leq V_b \leq \text{EV}_{\text{DD0}}$, $C_b = 30\text{ pF}$, $R_b = 1.4\text{ k}\Omega$	30			ns
Slp hold time (from $\overline{\text{SCKp}}\downarrow$) ^{Note 2}	t_{SH1}	$2.7\text{ V} \leq V_b \leq \text{EV}_{\text{DD0}}$, $C_b = 30\text{ pF}$, $R_b = 1.4\text{ k}\Omega$	30			ns
Delay time from $\overline{\text{SCKp}}\downarrow$ to SOp output ^{Note1}	t_{KSO1}	$2.7\text{ V} \leq V_b \leq \text{EV}_{\text{DD0}}$, $C_b = 30\text{ pF}$, $R_b = 1.4\text{ k}\Omega$			120	ns
Delay time from $\overline{\text{SCKp}}\uparrow$ to SOp output ^{Note2}	t_{KSO1}	$2.7\text{ V} \leq V_b \leq \text{EV}_{\text{DD0}}$, $C_b = 30\text{ pF}$, $R_b = 1.4\text{ k}\Omega$			40	ns

- Notes 1.** When $\text{DAPmn} = 0$ and $\text{CKPmn} = 0$, or $\text{DAPmn} = 1$ and $\text{CKPmn} = 1$.
2. When $\text{DAPmn} = 0$ and $\text{CKPmn} = 1$, or $\text{DAPmn} = 1$ and $\text{CKPmn} = 0$.
3. $t_{\text{CY1}} \geq 4/f_{\text{CLK}}$ must also be satisfied.

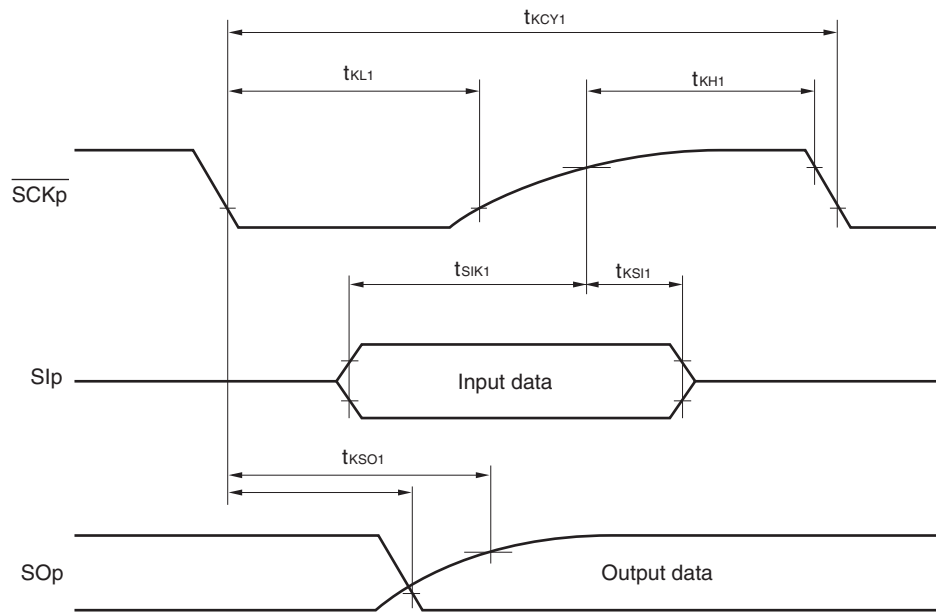
CSI mode connection diagram (during communication at different potential)



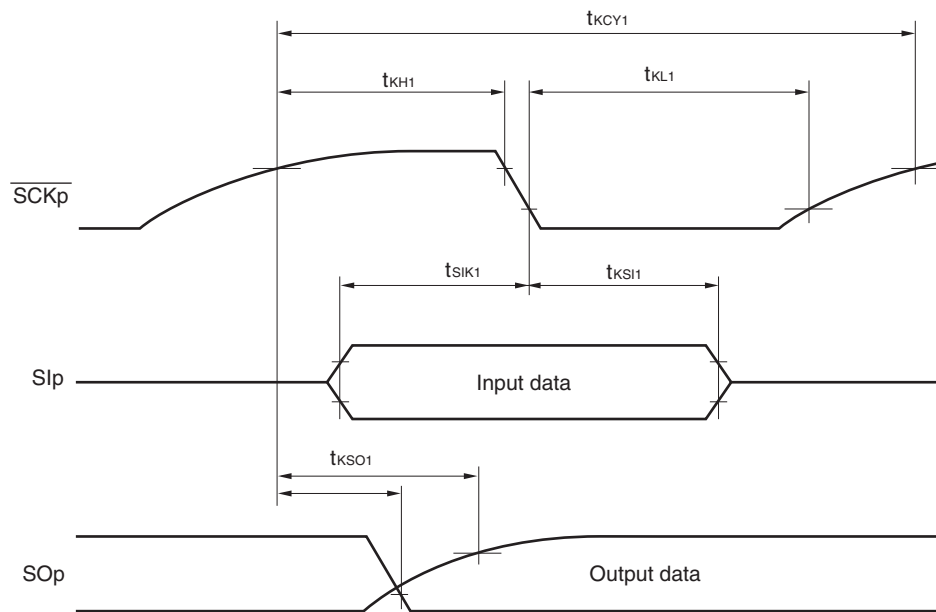
Caution Select the TTL input buffer for the Slp pin and N-ch open-drain output mode for the SOp pin and $\overline{\text{SCKp}}$ pin.

- Remarks**
1. R_b [Ω]: Communication line ($\overline{\text{SCKp}}$, SOp) pull-up resistance, C_b [F]: Communication line (SOp, $\overline{\text{SCKp}}$) load capacitance, V_b [V]: Communication line voltage
 2. p: CSIp (p = 00, 01, 10, 11), m: Unit m (m = 0, 1), n: Channel n (n = 0, 1)
 3. AC characteristics of the serial array unit during communication at different potential in CSI mode are measured with the V_{IH} and V_{IL} below:
When $4.0\text{ V} \leq E_{VDD0} \leq 5.5\text{ V}$, $2.7\text{ V} \leq V_b \leq 4.0\text{ V}$: $V_{IH} = 2.2\text{ V}$, $V_{IL} = 0.8\text{ V}$

CSI mode serial transfer timing (master mode) (during communication at different potential)
 (When DAPmn = 0 and CKPmn = 0, or DAPmn = 1 and CKPmn = 1)



CSI mode serial transfer timing (master mode) (during communication at different potential)
 (When DAPmn = 0 and CKPmn = 1, or DAPmn = 1 and CKPmn = 0)

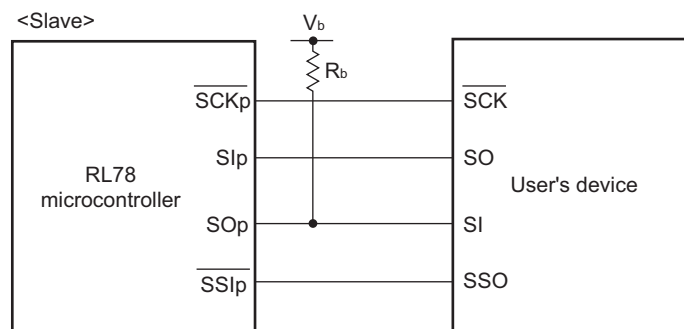


(10) During communication at different potential (3-V supply system) (CSI mode) (slave mode, $\overline{\text{SCKp}}$... external clock input, normal slew rate)**($T_A = -40$ to $+105^\circ\text{C}$, $4.0\text{ V} \leq \text{EV}_{\text{DD0}} = \text{EV}_{\text{DD1}} = \text{V}_{\text{DD}} \leq 5.5\text{ V}$, $\text{V}_{\text{SS}} = \text{EV}_{\text{SS0}} = \text{EV}_{\text{SS1}} = 0\text{ V}$)**

Parameter	Symbol	Conditions	MIN.	TYP.	MAX.	Unit
$\overline{\text{SCKp}}$ cycle time ^{Note 3}	t_{CY2}	$2.7\text{ V} \leq \text{V}_b \leq \text{V}_{\text{DD}}$				
		$24\text{ MHz} < f_{\text{MCK}}$	$14/f_{\text{MCK}}$			ns
		$20\text{ MHz} < f_{\text{MCK}} \leq 24\text{ MHz}$	$12/f_{\text{MCK}}$			ns
		$8\text{ MHz} < f_{\text{MCK}} \leq 20\text{ MHz}$	$10/f_{\text{MCK}}$			ns
		$4\text{ MHz} < f_{\text{MCK}} \leq 8\text{ MHz}$	$8/f_{\text{MCK}}$			ns
		$f_{\text{MCK}} \leq 4\text{ MHz}$	$6/f_{\text{MCK}}$			ns
$\overline{\text{SCKp}}$ high-level width, low-level width	t_{KH2} , t_{KL2}	$2.7\text{ V} \leq \text{V}_b \leq \text{V}_{\text{DD}}$	$t_{\text{CY2}}/2 - 20$			ns
	Slp setup time (to $\overline{\text{SCKp}}\uparrow$) ^{Note 1}	t_{SIK2}	90			ns
Slp hold time (from $\overline{\text{SCKp}}\uparrow$) ^{Note 2}	t_{SI2}		$1/f_{\text{MCK}} + 50$			ns
Delay time from $\overline{\text{SCKp}}\downarrow$ to SOp output	t_{KSO2}	$2.7\text{ V} \leq \text{V}_b \leq \text{V}_{\text{DD}}$, $C_b = 30\text{ pF}$, $R_b = 1.4\text{ k}\Omega$			$2/f_{\text{MCK}} + 120$	ns
$\overline{\text{SSIp}}$ setup time	t_{SSI2}	DAP = 0	120			ns
		DAP = 1	$1/f_{\text{MCK}} + 120$			ns
$\overline{\text{SSIp}}$ hold time	t_{SSI1}	DAP = 0	$1/f_{\text{MCK}} + 120$			ns
		DAP = 1	120			ns

- Notes 1.** When DAPmn = 0 and CKPmn = 0, or DAPmn = 1 and CKPmn = 1. The Slp setup time becomes "to $\overline{\text{SCKp}}\downarrow$ " when DAPmn = 0 and CKPmn = 1 or DAPmn = 1 and CKPmn = 0.
- 2.** When DAPmn = 0 and CKPmn = 0 or DAPmn = 1 and CKPmn = 1. The Slp hold time becomes "from $\overline{\text{SCKp}}\downarrow$ " when DAPmn = 0 and CKPmn = 1 or DAPmn = 1 and CKPmn = 0.
- 3.** The transfer rate is MAX. 1 Mbps in SNOOSE mode.

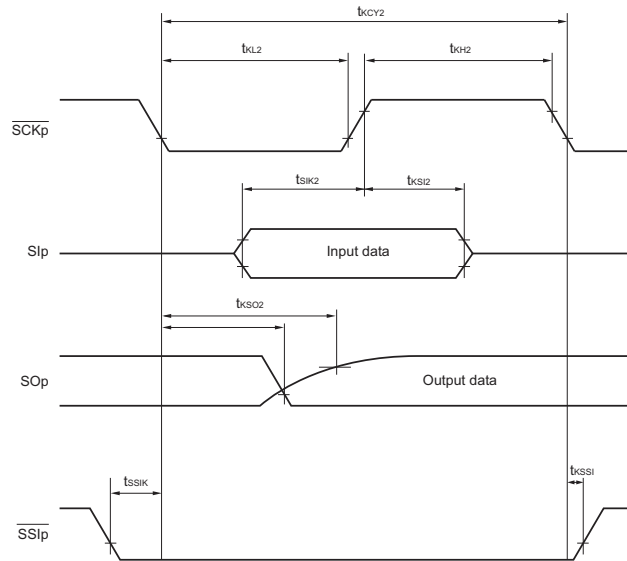
CSI mode connection diagram (during communication at different potential)



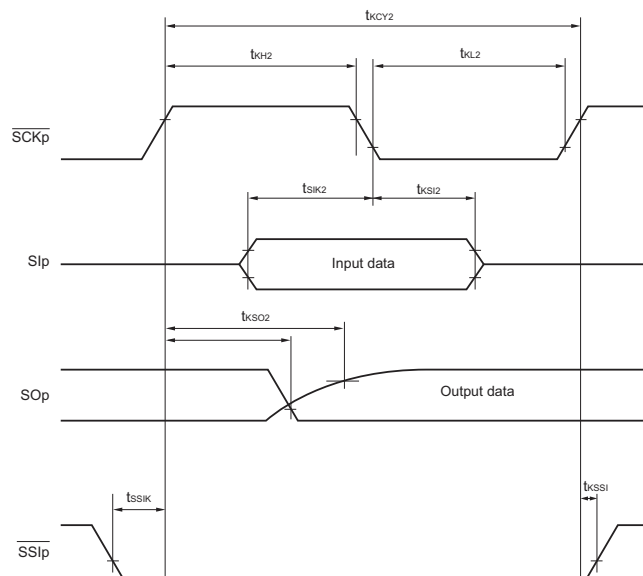
Caution Select the TTL input buffer for the Slp, SCKp and SSlp pins and N-ch open-drain output mode for the SOp pin.

- Remarks**
1. R_b [Ω]: Communication line (SOp) pull-up resistance, C_b [F]: Communication line (SOp) load capacitance, V_b [V]: Communication line voltage
 2. p: CSIp (p = 00, 01, 10, 11), m: Unit m (m = 0, 1), n: Channel n (n = 0, 1)
 3. AC characteristics of the serial array unit during communication at different potential in CSI mode are measured with the V_{IH} and V_{IL} below:
When 4.0 V ≤ EV_{DD0} ≤ 5.5 V, 2.7 V ≤ V_b ≤ 4.0 V: V_{IH} = 2.2 V, V_{IL} = 0.8 V

CSI mode serial transfer timing (slave mode) (during communication at different potential)
 (When DAPmn = 0 and CKPmn = 0, or DAPmn = 1 and CKPmn = 1)



CSI mode serial transfer timing (slave mode) (during communication at different potential)
 (When DAPmn= 0 and CKPmn = 1, or DAPmn = 1 and CKPmn = 0)



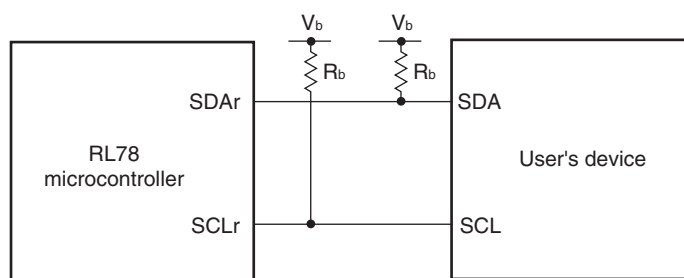
(11) During communication at different potential (3-V supply system) (simplified I²C mode)
(SDAr: TTL input buffer mode or N-ch open-drain output (EV_{DD0} tolerance) mode, SCLr: N-ch open-drain output (EV_{DD0} tolerance) mode)

(T_A = -40 to +105°C, 4.0 V ≤ EV_{DD0} = EV_{DD1} = V_{DD} ≤ 5.5 V, V_{SS} = EV_{SS0} = EV_{SS1} = 0 V)

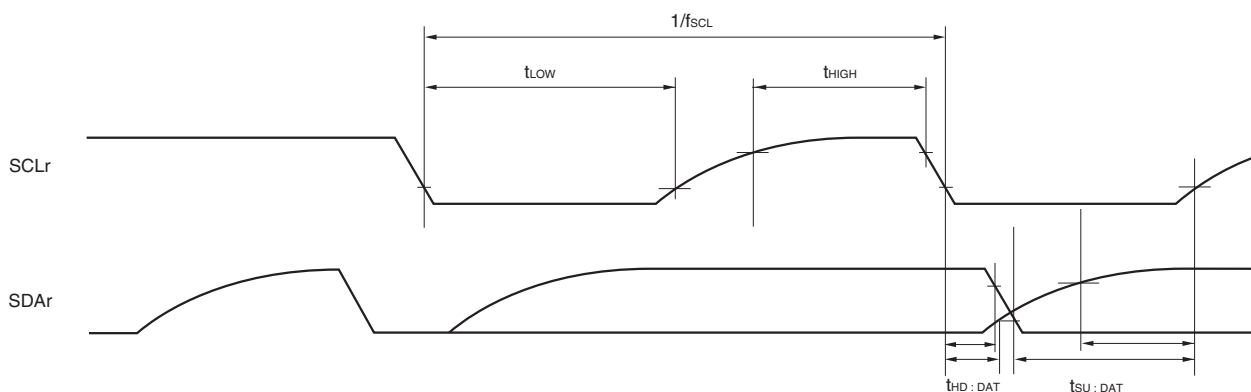
Parameter	Symbol	Conditions	MIN.	MAX.	Unit
SCLr clock frequency	f _{SCL}	2.7 V ≤ V _b ≤ 4.0 V, C _b = 100 pF, R _b = 1.4 kΩ		400 ^{Note}	kHz
Hold time when SCLr = "L"	t _{LOW}	2.7 V ≤ V _b ≤ 4.0 V, C _b = 100 pF, R _b = 1.4 kΩ	1200		ns
Hold time when SCLr = "H"	t _{HIGH}	2.7 V ≤ V _b ≤ 4.0 V, C _b = 100 pF, R _b = 1.4 kΩ	600		ns
Data setup time (reception)	t _{SU:DAT}	2.7 V ≤ V _b ≤ 4.0 V, C _b = 100 pF, R _b = 1.4 kΩ	135 + 1/f _{MCK}		ns
Data hold time (transmission)	t _{HD:DAT}	2.7 V ≤ V _b ≤ 4.0 V, C _b = 100 pF, R _b = 1.4 kΩ	0	140	ns

Note f_{SCL} ≤ f_{MCK}/4 must also be satisfied.

Simplified I²C mode connection diagram (during communication at different potential)



Simplified I²C mode serial transfer timing (during communication at different potential)



Caution Select the TTL input buffer and the N-ch open-drain output mode for the SDAr pin and N-ch open-drain output mode for the SCLr pin.

- Remarks**
- R_b [Ω]: Communication line (SDAr, SCLr) pull-up resistance, C_b [F]: Communication line (SDAr, SCLr) load capacitance, V_b [V]: Communication line voltage
 - r: IICr (r = 00, 01, 10, 11)
 - f_{MCK}: Serial array unit operation clock frequency

35.5.2 Serial Interface IICA

($T_A = -40$ to $+105^\circ\text{C}$, $2.7\text{ V} \leq EV_{DD0} = EV_{DD1} = V_{DD} \leq 5.5\text{ V}$, $V_{SS} = EV_{SS0} = EV_{SS1} = 0\text{ V}$)

Parameter	Symbol	Conditions	Normal Mode		Fast Mode		Fast Mode Plus		Unit
			MIN.	MAX.	MIN.	MAX.	MIN.	MAX.	
SCLA0 clock frequency	f _{SCL}	Fast mode plus: 10 MHz ≤ f _{CLK}					0	1000	kHz
		Fast mode: 3.5 MHz ≤ f _{CLK}			0	400			kHz
		Normal mode: 1 MHz ≤ f _{CLK}	0	100					kHz
Setup time of restart condition ^{Note 1}	t _{SU:STA}		4.7		0.6		0.26		μs
Hold time	t _{HD:STA}		4.0		0.6		0.26		μs
Hold time when SCLA0 = "L"	t _{LOW}		4.7		1.3		0.5		μs
Hold time when SCLA0 = "H"	t _{HIGH}		4.0		0.6		0.26		μs
Data setup time (reception)	t _{SU:DAT}		250		100		50		ns
Data hold time (transmission) ^{Note 2}	t _{HD:DAT}		0	3.45	0	0.9	0		μs
Setup time of stop condition	t _{SU:STO}		4.0		0.6		0.26		μs
Bus-free time	t _{BUF}		4.7		1.3		0.5		μs

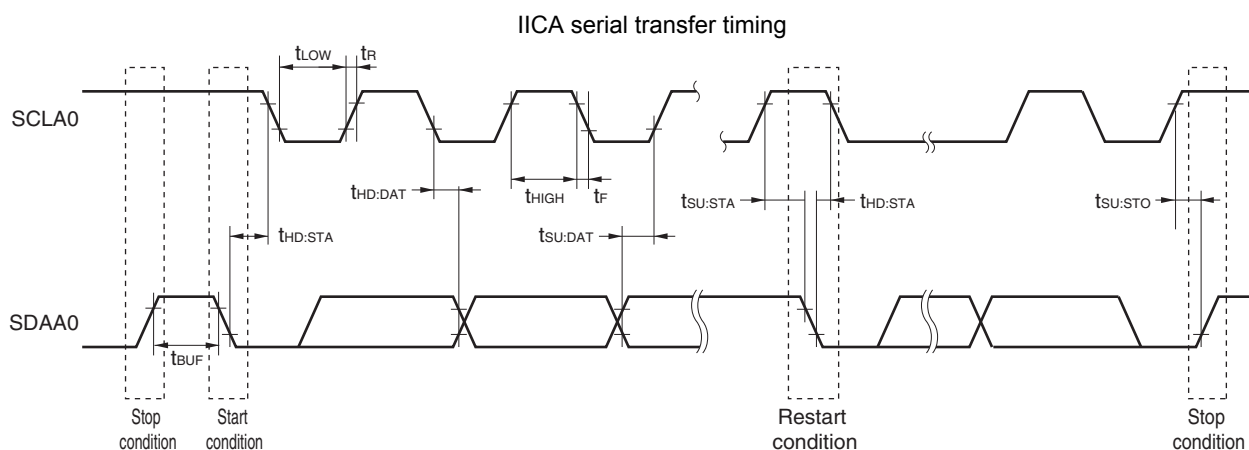
- Notes 1.** The first clock pulse is generated after this period when the start/restart condition is detected.
2. The maximum value (MAX.) of t_{HD:DAT} is during normal transfer and a wait state is inserted in the $\overline{\text{ACK}}$ (acknowledge) timing.

Remark The maximum value of C_b (communication line capacitance) and the value of R_b (communication line pull-up resistor) at that time in each mode are as follows.

Standard mode: C_b = 400 pF, R_b = 2.7 kΩ

Fast mode: C_b = 320 pF, R_b = 1.1 kΩ

Fast mode plus: C_b = 120 pF, R_b = 1.1 kΩ



35.5.3 On-chip Debug (UART)**(T_A = -40 to +105°C, 2.7 V ≤ EV_{DD0} = EV_{DD1} = V_{DD} ≤ 5.5 V, V_{SS} = EV_{SS0} = EV_{SS1} = 0 V)**

Parameter	Symbol	Conditions	MIN.	TYP.	MAX.	Unit
Transfer rate	-		115.2 k		1 M	bps

35.5.4 LIN/UART Module (RLIN3) UART Mode**(T_A = -40 to +105°C, 2.7 V ≤ EV_{DD0} = EV_{DD1} = V_{DD} ≤ 5.5 V, V_{SS} = EV_{SS0} = EV_{SS1} = 0 V)**

Parameter	Symbol	Conditions		MIN.	TYP.	MAX.	Unit
Transfer rate	-	Operation mode, HALT mode	LIN communication clock source (f _{CLK} or f _{MX}): 4 to 32 MHz			5333	kbps
		SNOOZE mode	LIN communication clock source (f _{CLK}): 1 to 32 MHz FRQSEL4 = 0 in the user option byte (000C2H/020C2H)			4.8	
			LIN communication clock source (f _{CLK}): 1 to 32 MHz FRQSEL4 = 1 in the user option byte (000C2H/020C2H)			2.4	

35.6 Analog Characteristics

35.6.1 A/D Converter Characteristics

(1) When $AV_{REF}(+) = AV_{REFP}/ANI0$ ($ADREFP1 = 0$, $ADREFP0 = 1$), $AV_{REF}(-) = AV_{REFM}/ANI1$ ($ADREFM = 1$), target ANI pin: ANI2 to ANI23 (power supply: V_{DD})

($T_A = -40$ to $+105^\circ\text{C}$, $2.7\text{ V} \leq EV_{DD0} = EV_{DD1} = V_{DD} \leq 5.5\text{ V}$, $V_{SS} = EV_{SS0} = EV_{SS1} = 0\text{ V}$, Reference voltage (+) = AV_{REFP} , Reference voltage (-) = $AV_{REFM} = 0\text{ V}$)

Parameter	Symbol	Conditions	MIN.	TYP.	MAX.	Unit	
Resolution	RES		8		10	bit	
Overall error ^{Note 1}	AINL	10-bit resolution	$4.0\text{ V} \leq V_{DD} \leq 5.5\text{ V}$		1.2	± 3.0	LSB
		$AV_{REFP} = V_{DD}$	$2.7\text{ V} \leq V_{DD} < 4.0\text{ V}$		1.2	± 3.5	LSB
Conversion time	t_{CONV}	10-bit resolution	$4.0\text{ V} \leq V_{DD} \leq 5.5\text{ V}$	2.125		39	μs
		$AV_{REFP} = V_{DD}$	$2.7\text{ V} \leq V_{DD} < 4.0\text{ V}$	3.1875		39	μs
Zero-scale error ^{Notes 1, 2}	EZS	10-bit resolution $AV_{REFP} = V_{DD}$	$2.7\text{ V} \leq V_{DD} \leq 5.5\text{ V}$			± 0.25	%FSR
Full-scale error ^{Notes 1, 2}	EFS	10-bit resolution $AV_{REFP} = V_{DD}$	$2.7\text{ V} \leq V_{DD} \leq 5.5\text{ V}$			± 0.25	%FSR
Integral linearity error ^{Note 1}	ILE	10-bit resolution $AV_{REFP} = V_{DD}$	$2.7\text{ V} \leq V_{DD} \leq 5.5\text{ V}$			± 2.5	LSB
Differential linearity error ^{Note 1}	DLE	10-bit resolution $AV_{REFP} = V_{DD}$	$2.7\text{ V} \leq V_{DD} \leq 5.5\text{ V}$			± 1.5	LSB
Reference voltage (+)	AV_{REFP}		2.7		V_{DD}	V	
Analog input voltage	V_{AIN}		0		AV_{REFP}	V	
Internal reference voltage (+)	V_{BGR}	$2.7\text{ V} \leq V_{DD} \leq 5.5\text{ V}$	1.38	1.45	1.5	V	

Notes 1. Excludes quantization error ($\pm 1/2$ LSB).

2. This value is indicated as a ratio (%FSR) to the full-scale value.

(2) When $AV_{REF}(+) = AV_{REFP}/ANI0$ ($ADREFP1 = 0$, $ADREFP0 = 1$), $AV_{REF}(-) = AV_{REFM}/ANI1$ ($ADREFM = 1$), target ANI pin: ANI24 to ANI30 (power supply: EV_{DD0})

($T_A = -40$ to $+105^\circ\text{C}$, $2.7\text{ V} \leq EV_{DD0} = EV_{DD1} = V_{DD} \leq 5.5\text{ V}$, $V_{SS} = EV_{SS0} = EV_{SS1} = 0\text{ V}$, Reference voltage (+) = AV_{REFP} , Reference voltage (-) = $AV_{REFM} = 0\text{ V}$)

Parameter	Symbol	Conditions		MIN.	TYP.	MAX.	Unit
Resolution	RES			8		10	bit
Overall error ^{Note 1}	AINL	10-bit resolution $AV_{REFP} = V_{DD}$	$4.0\text{ V} \leq V_{DD} \leq 5.5\text{ V}$		1.2	± 4.5	LSB
			$2.7\text{ V} \leq V_{DD} < 4.0\text{ V}$		1.2	± 5.0	LSB
Conversion time	t_{CONV}	10-bit resolution $AV_{REFP} = V_{DD}$	$4.0\text{ V} \leq V_{DD} \leq 5.5\text{ V}$	2.125		39	μs
			$2.7\text{ V} \leq V_{DD} < 4.0\text{ V}$	3.1875		39	μs
Zero-scale error ^{Notes 1, 2}	EZS	10-bit resolution $AV_{REFP} = V_{DD}$	$2.7\text{ V} \leq V_{DD} \leq 5.5\text{ V}$			± 0.35	%FSR
Full-scale error ^{Notes 1, 2}	EFS	10-bit resolution $AV_{REFP} = V_{DD}$	$2.7\text{ V} \leq V_{DD} \leq 5.5\text{ V}$			± 0.35	%FSR
Integral linearity error ^{Note 1}	ILE	10-bit resolution $AV_{REFP} = V_{DD}$	$2.7\text{ V} \leq V_{DD} \leq 5.5\text{ V}$			± 3.5	LSB
Differential linearity error ^{Note 1}	DLE	10-bit resolution $AV_{REFP} = V_{DD}$	$2.7\text{ V} \leq V_{DD} \leq 5.5\text{ V}$			± 2.0	LSB
Reference voltage (+)	AV_{REFP}			2.7		V_{DD}	V
Analog input voltage	V_{AIN}			0		AV_{REFP} and EV_{DD0}	V
Internal reference voltage (+)	V_{BGR}	$2.7\text{ V} \leq V_{DD} \leq 5.5\text{ V}$		1.38	1.45	1.5	V

Notes 1. Excludes quantization error ($\pm 1/2$ LSB).

2. This value is indicated as a ratio (%FSR) to the full-scale value.

(3) When $AV_{REF}(+) = V_{DD}$ ($ADREFP1 = 0$, $ADREFP0 = 0$), $AV_{REF}(-) = V_{SS}$ ($ADREFM = 0$), target ANI pin: ANI0 to ANI23, ANI24 to ANI30

($T_A = -40$ to $+105^\circ\text{C}$, $2.7\text{ V} \leq EV_{DD0} = EV_{DD1} = V_{DD} \leq 5.5\text{ V}$, $V_{SS} = EV_{SS0} = EV_{SS1} = 0\text{ V}$, Reference voltage (+) = V_{DD} ,

Reference voltage (-) = V_{SS})

Parameter	Symbol	Conditions		MIN.	TYP.	MAX.	Unit
Resolution	RES			8		10	bit
Overall error ^{Note 1}	AINL	10-bit resolution ANI0 to ANI23	$4.0\text{ V} \leq V_{DD} \leq 5.5\text{ V}$		1.2	± 5.0	LSB
			$2.7\text{ V} \leq V_{DD} < 4.0\text{ V}$		1.2	± 5.5	LSB
		10-bit resolution ANI24 to ANI30	$4.0\text{ V} \leq V_{DD} \leq 5.5\text{ V}$		1.2	± 6.5	LSB
			$2.7\text{ V} \leq V_{DD} < 4.0\text{ V}$		1.2	± 7.0	LSB
Conversion time	t_{CONV}	10-bit resolution	$4.0\text{ V} \leq V_{DD} \leq 5.5\text{ V}$	2.125		39	μs
			$2.7\text{ V} \leq V_{DD} < 4.0\text{ V}$	3.1875		39	μs
Zero-scale error ^{Notes 1, 2}	EVS	10-bit resolution ANI0 to ANI23	$2.7\text{ V} \leq V_{DD} \leq 5.5\text{ V}$			± 0.50	%FSR
		10-bit resolution ANI24 to ANI30	$2.7\text{ V} \leq V_{DD} \leq 5.5\text{ V}$			± 0.60	%FSR
Full-scale error ^{Notes 1, 2}	EFS	10-bit resolution ANI0 to ANI23	$2.7\text{ V} \leq V_{DD} \leq 5.5\text{ V}$			± 0.50	%FSR
		10-bit resolution ANI24 to ANI30	$2.7\text{ V} \leq V_{DD} \leq 5.5\text{ V}$			± 0.60	%FSR
Integral linearity error ^{Note 1}	ILE	10-bit resolution ANI0 to ANI23	$2.7\text{ V} \leq V_{DD} \leq 5.5\text{ V}$			± 3.5	LSB
		10-bit resolution ANI24 to ANI30	$2.7\text{ V} \leq V_{DD} \leq 5.5\text{ V}$			± 4.0	LSB
Differential linearity error ^{Note 1}	DLE	10-bit resolution	$2.7\text{ V} \leq V_{DD} \leq 5.5\text{ V}$			± 2.0	LSB
Analog input voltage	V_{AIN}	ANI0 to ANI23 ^{Note 3}		0		V_{DD}	V
		ANI24 to ANI30 ^{Note 3}		EV_{SS}		EV_{DD0}	V
Internal reference voltage (+)	V_{BGR}	$2.7\text{ V} \leq V_{DD} \leq 5.5\text{ V}$		1.38	1.45	1.5	V

Notes 1. Excludes quantization error ($\pm 1/2$ LSB).

2. This value is indicated as a ratio (%FSR) to the full-scale value.

3. The number of pins depends on the product. For details, refer to **2.1 Pin Function List**.

(4) When $AV_{REF}(+) =$ internal reference voltage ($ADREFP1 = 1, ADREFP0 = 0$), $AV_{REF}(-) = AV_{REFM}/ANI1$ ($ADREFM = 1$), target ANI pin: ANI0 to ANI23, ANI24 to ANI30

($T_A = -40$ to $+105^\circ\text{C}$, $2.7\text{ V} \leq EV_{DD0} = EV_{DD1} = V_{DD} \leq 5.5\text{ V}$, $V_{SS} = EV_{SS0} = EV_{SS1} = 0\text{ V}$, Reference voltage (+) = V_{BGR} , Reference voltage (-) = $AV_{REFM} = 0\text{ V}$)

Parameter	Symbol	Conditions		MIN.	TYP.	MAX.	Unit
Resolution	RES			8			bit
Conversion time	t_{CONV}	8-bit resolution	$2.7\text{ V} \leq V_{DD} \leq 5.5\text{ V}$	17		39	μs
Zero-scale error ^{Notes 1, 2}	EZS	8-bit resolution	$2.7\text{ V} \leq V_{DD} \leq 5.5\text{ V}$			± 0.60	%FSR
Integral linearity error ^{Note 1}	ILE	8-bit resolution	$2.7\text{ V} \leq V_{DD} \leq 5.5\text{ V}$			± 2.0	LSB
Differential linearity error ^{Note 1}	DLE	8-bit resolution	$2.7\text{ V} \leq V_{DD} \leq 5.5\text{ V}$			± 1.0	LSB
Reference voltage (+)	V_{BGR}			1.38	1.45	1.5	V
Analog input voltage	V_{AIN}			0		V_{BGR}	V

Notes 1. Excludes quantization error ($\pm 1/2$ LSB).

2. This value is indicated as a ratio (%FSR) to the full-scale value.

35.6.2 Temperatures Sensor Characteristics

(T_A = -40 to +105°C, 2.7 V ≤ EV_{DD0} = EV_{DD1} = V_{DD} ≤ 5.5 V, V_{SS} = EV_{SS0} = EV_{SS1} = 0 V)

Parameter	Symbol	Conditions	MIN.	TYP.	MAX.	Unit
Temperature sensor output voltage	V _{TMPS25}	Setting ADS register = 80H, T _A = +25°C		1.1		V
Reference output voltage	V _{CONST}	Setting ADS register = 81H	1.38	1.45	1.5	V
Temperature coefficient	F _{VTMPS}	Temperature sensor that depends on the temperature		-3.3		mV/°C
Operation stabilization wait time	t _{AMP}		5			μs

35.6.3 D/A Converter Characteristics

(T_A = -40 to +105°C, 2.7 V ≤ EV_{DD0} = EV_{DD1} = V_{DD} ≤ 5.5 V, V_{SS} = EV_{SS0} = EV_{SS1} = 0 V)

Parameter	Symbol	Conditions	MIN.	TYP.	MAX.	Unit
Resolution	RES				8	bit
Overall error	AINL	Rload = 4 MΩ, 2.7 V ≤ V _{DD} ≤ 5.5 V			±2.5	LSB
		Rload = 8 MΩ, 2.7 V ≤ V _{DD} ≤ 5.5 V			±2.5	LSB
Settling time	t _{SET}	Cload = 20 pF, 2.7 V ≤ V _{DD} ≤ 5.5 V			3	μs

35.6.4 Comparator Characteristics

(T_A = -40 to +105°C, 2.7 V ≤ EV_{DD0} = EV_{DD1} = V_{DD} ≤ 5.5 V, V_{SS} = EV_{SS0} = EV_{SS1} = 0 V)

Parameter	Symbol	Conditions	MIN.	TYP.	MAX.	Unit
Input offset voltage	V _{IOCOMP}			±5	±40	mV
Input voltage range	V _{ICMP}		0		V _{DD}	V
Response time	t _{CR} , t _{CF}	Input amplitude ±100 mV		70	200	ns
Stabilization wait time during input channel switching ^{Note 1}	t _{WAIT}	Input amplitude ±100 mV	300			ns
Operation stabilization wait time ^{Note 2}	t _{CMP}	3.3 V ≤ V _{DD} ≤ 5.5 V	1			μs
		2.7 V ≤ V _{DD} < 3.3 V	3			μs

- Notes**
1. Period of time from when the comparator input channel is switched until the comparator is switched to output
 2. Period of time from when the comparator operation is enabled (HCMPON bit in CMPCTL is set to 1) until the comparator satisfies the DC/AC characteristics.

35.6.5 POR Circuit Characteristics

($T_A = -40$ to $+105^\circ\text{C}$, $V_{SS} = EV_{SS0} = EV_{SS1} = 0\text{ V}$)

Parameter	Symbol	Conditions	MIN.	TYP.	MAX.	Unit
Detection voltage ^{Note}	V_{POR}	Power supply rise time	1.48	1.56	1.62	V
	V_{PDR}	Power supply fall time	1.47	1.55	1.61	V
Minimum pulse width	T_{PW}		300			μs
Detection delay time	T_{PD}				350	μs

Note This indicates the POR circuit characteristics, and normal operation is not guaranteed under the condition of less than lower limit operation voltage (2.7 V).

35.6.6 LVD Circuit Characteristics

(1) LVD detection voltage of interrupt mode or reset mode

(T_A = -40 to +105°C, V_{PDR} ≤ EV_{DD0} = EV_{DD1} = V_{DD} ≤ 5.5 V, V_{SS} = EV_{SS0} = EV_{SS1} = 0 V)

Parameter		Symbol	Conditions	MIN.	TYP.	MAX.	Unit
Detection voltage	Supply voltage level	V _{LVD0}	Power supply rise time	4.62	4.74	4.84	V
			Power supply fall time	4.52	4.64	4.74	V
		V _{LVD1}	Power supply rise time	4.50	4.62	4.72	V
			Power supply fall time	4.40	4.52	4.62	V
		V _{LVD2}	Power supply rise time	4.30	4.42	4.51	V
			Power supply fall time	4.21	4.32	4.41	V
		V _{LVD3}	Power supply rise time	3.13	3.22	3.29	V
			Power supply fall time	3.07	3.15	3.22	V
		V _{LVD4}	Power supply rise time	2.95	3.02	3.09	V
			Power supply fall time	2.89	2.96	3.02	V
V _{LVD5}	Power supply rise time	2.74	2.81	2.87	V		
	Power supply fall time	2.68 ^{Note}	2.75	2.81	V		
Minimum pulse width		t _{LW}		300			μs
Detection delay time		t _{LD}				300	μs

Note The minimum value exceeds below the lower limit operation voltage (2.7 V), however, in reset mode, normal operation (same behavior when V_{DD} = 2.7 V) is possible until a reset is effected at the power supply falling time.

(2) LVD detection voltage of interrupt & reset mode

(T_A = -40 to +105°C, V_{PDR} ≤ EV_{DD0} = EV_{DD1} = V_{DD} ≤ 5.5 V, V_{SS} = EV_{SS0} = EV_{SS1} = 0 V)

Parameter	Symbol	Conditions	MIN.	TYP.	MAX.	Unit	
Interrupt and reset mode	V _{LVD5}	VPOC2, VPOC1, VPOC0 = 0, 0, 1 ^{Note 1} , falling reset voltage: 2.75 V	2.68 ^{Note 2}	2.75	2.81	V	
	V _{LVD2}	LVIS1, LVIS0 = 0, 0	Rising release reset voltage	4.30	4.42	4.51	V
			Falling interrupt voltage	4.21	4.32	4.41	V
	V _{LVD5}	VPOC2, VPOC1, VPOC0 = 0, 1, 0 ^{Note 1} , falling reset voltage: 2.75 V	2.68 ^{Note 2}	2.75	2.81	V	
	V _{LVD1}	LVIS1, LVIS0 = 0, 0	Rising release reset voltage	4.50	4.62	4.72	V
			Falling interrupt voltage	4.40	4.52	4.62	V
	V _{LVD5}	VPOC2, VPOC1, VPOC0 = 0, 1, 1 ^{Note 1} , falling reset voltage: 2.75 V	2.68 ^{Note 2}	2.75	2.81	V	
	V _{LVD3}	LVIS1, LVIS0 = 0, 1	Rising release reset voltage	3.13	3.22	3.29	V
			Falling interrupt voltage	3.07	3.15	3.22	V
	V _{LVD0}	LVIS1, LVIS0 = 0, 0	Rising release reset voltage	4.62	4.74	4.84	V
			Falling interrupt voltage	4.52	4.64	4.74	V

Notes 1. These values indicate setting values of option bytes.

2. The minimum value exceeds below the lower limit operation voltage (2.7 V), however, in reset mode, normal operation (same behavior when V_{DD} = 2.7 V) is possible until a reset is effected at the power supply falling time.

35.7 Power Supply Voltage Rising Time

($T_A = -40$ to $+105^\circ\text{C}$, $V_{SS} = EV_{SS0} = EV_{SS1} = 0\text{ V}$)

Parameter	Symbol	Conditions	MIN.	TYP.	MAX.	Unit
Maximum power supply voltage rising slope	S_{Vmax}	0 V \rightarrow V_{DD} (VPOC2 = 0 or 1 ^{Note 2})			50 ^{Note 3}	V/ms
Minimum power supply voltage rising slope ^{Note 1}	S_{Vmin}	0 V \rightarrow 2.7 V	6.5			V/ms

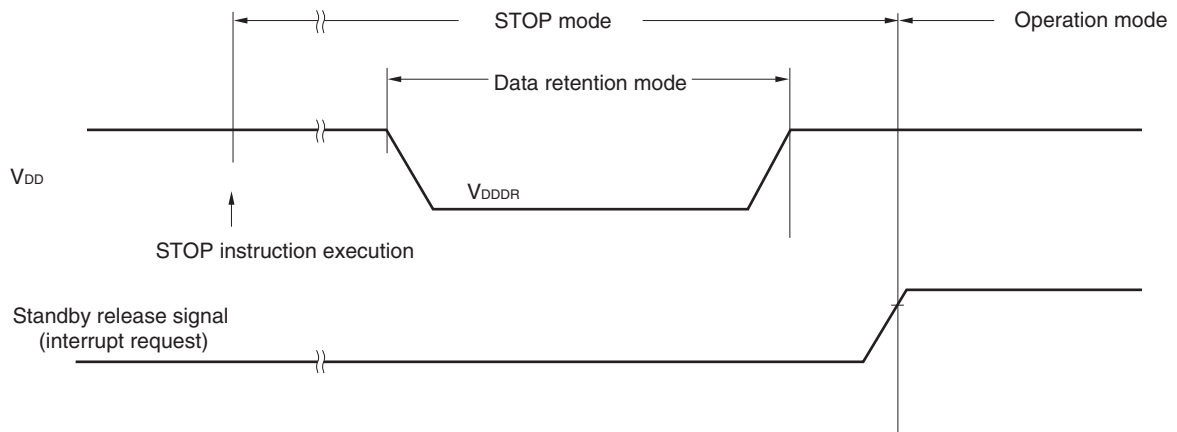
- Notes 1.** The minimum power supply voltage rising slope is applied only under the following condition.
When the voltage detection (LVD) circuit is not used (VPOC2 = 1) and an external reset circuit is not used or when a reset is not effected until $V_{DD} = 2.7\text{ V}$.
- 2.** These values indicate setting values of option bytes.
- 3.** If the power supply drops below V_{PDR} and a POR reset is effected, this specification is also applied when the power supply is recovered without dropping to 0 V.

35.8 STOP Mode Memory Retention Characteristics

($T_A = -40$ to $+105^\circ\text{C}$, $V_{SS} = EV_{SS0} = EV_{SS1} = 0\text{ V}$)

Parameter	Symbol	Conditions	MIN.	TYP.	MAX.	Unit
Data retention supply voltage	V_{DDDR}		1.47 ^{Note}		5.5	V

Note The value depends on the POR detection voltage. When the voltage drops, the data is retained before a POR reset is effected, but data is not retained when a POR reset is effected.



35.9 Flash Memory Programming Characteristics

($T_A = -40$ to $+105^\circ\text{C}$, $2.7\text{ V} \leq \text{EV}_{\text{DD}0} = \text{EV}_{\text{DD}1} = \text{V}_{\text{DD}} \leq 5.5\text{ V}$, $\text{V}_{\text{SS}} = \text{EV}_{\text{SS}0} = \text{EV}_{\text{SS}1} = 0\text{ V}$)

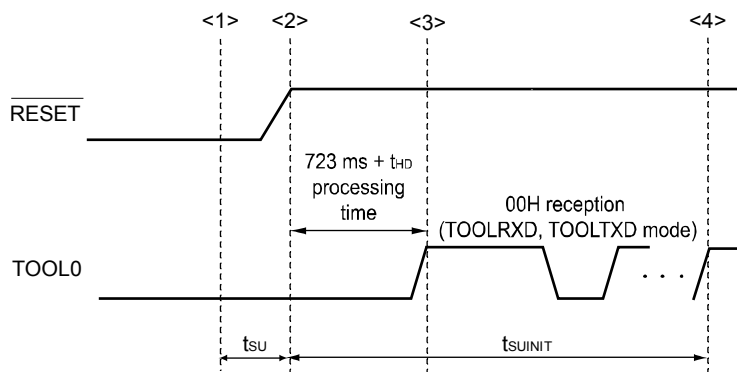
Parameter	Symbol	Conditions	MIN.	TYP.	MAX.	Unit
System clock frequency	f_{CLK}		1		32	MHz
Number of code flash rewrites ^{Notes 1, 2, 3}	C_{erwr}	Retained for 20 years (after rewrite) $T_A = +85^\circ\text{C}$ Note 4	1,000			Times
Number of data flash rewrites ^{Notes 1, 2, 3}		Retained for 20 years (after rewrite) $T_A = +85^\circ\text{C}$ Note 4	10,000			
		Retained for 5 years (after rewrite) $T_A = +85^\circ\text{C}$ Note 4	100,000			
Erase time	T_{erasa}	Block erase	5			ms
Write time	T_{wrwa}	1 word write	10			μs

- Notes 1.** 1 erase + 1 write after the erase is regarded as 1 rewrite. The retaining years are until next rewrite after the rewrite.
- 2.** When using flash memory programmer and Renesas Electronics self programming library
- 3.** These are the characteristics of the flash memory and the results obtained from reliability testing by Renesas Electronics Corporation.
- 4.** The average temperature for data retention.

35.10 Timing of Entry to Flash Memory Programming Modes

($T_A = -40$ to $+105^\circ\text{C}$, $2.7\text{ V} \leq EV_{DD0} = EV_{DD1} \leq V_{DD} \leq 5.5\text{ V}$, $V_{SS} = EV_{SS0} = EV_{SS1} = 0\text{ V}$)

Parameter	Symbol	Conditions	MIN.	TYP.	MAX.	Unit
Time to complete the communication for the initial setting after the external reset is released	$t_{SUIINIT}$	POR and LVD reset must be released before the external reset is released.			100	ms
Time to release the external reset after the TOOL0 pin is set to the low level	t_{SU}	POR and LVD reset must be released before the external reset is released.	10			μs
Time to hold the TOOL0 pin at the low level after the external reset is released (excluding the processing time of the firmware to control the flash memory)	t_{HD}	POR and LVD reset must be released before the external reset is released.	1			ms



- <1> The low level is input to the TOOL0 pin.
- <2> The external reset is released (POR and LVD reset must be released before the external reset is released.).
- <3> The TOOL0 pin is set to the high level.
- <4> Setting of the flash memory programming mode by UART reception and complete the baud rate setting.

Remark $t_{SUIINIT}$: Communication for the initial setting must be completed within 100 ms after the external reset is released during this period.

t_{SU} : Time to release the external reset after the TOOL0 pin is set to the low level

t_{HD} : Time to hold the TOOL0 pin at the low level after the external reset is released (excluding the processing time of the firmware to control the flash memory)

CHAPTER 36 ELECTRICAL SPECIFICATIONS (GRADE K)

- Cautions**
- 1. RL78/F15 has an on-chip debug function, which is provided for development and evaluation. Do not use the on-chip debug function in products designated for mass production, because the guaranteed number of rewritable times of the flash memory may be exceeded when this function is used, and product reliability therefore cannot be guaranteed. Renesas Electronics is not liable for problems occurring when the on-chip debug function is used.**
 - 2. With products not provided with an EV_{DD0}, EV_{DD1}, EV_{SS0}, or EV_{SS1} pin, replace EV_{DD0} and EV_{DD1} with V_{DD}, or replace EV_{SS0} and EV_{SS1} with V_{SS}.**
 - 3. The pins mounted depending on the product. For details, refer to 1.5 Pin Configurations and 2.1 Pin Function List.**

36.1 Absolute Maximum Ratings

(1/2)

Parameter	Symbol	Conditions	Ratings	Unit
Supply voltage	V_{DD}		-0.5 to +6.5	V
	EV_{DD0} , EV_{DD1}	$EV_{DD0} = EV_{DD1}$	-0.5 to +6.5	V
	V_{SS}		-0.5 to +0.3	V
	EV_{SS0} , EV_{SS1}	$EV_{SS0} = EV_{SS1}$	-0.5 to +0.3	V
REGC pin input voltage	V_{IREGC}	REGC	-0.3 to +2.8 and -0.3 to $V_{DD}+0.3$ ^{Note 1}	V
Input voltage	V_{I1}	P00 to P07, P10 to P17, P20 to P27, P30 to P32, P35 to P37, P40 to P47, P50 to P57, P60 to P67, P70 to P77, P106, P107, P110 to P117, P120, P125 to P127, P131 to P136, P140 to P147, P150 to P157, P160 to P167	-0.3 to $EV_{DD0} = EV_{DD1} + 0.3$ and -0.3 to $V_{DD}+0.3$ ^{Note 2}	V
	V_{I2}	P33, P34, P80 to P87, P90 to P97, P100 to P105, P121 to P124, P137, \overline{RESET}	-0.3 to $V_{DD}+0.3$ ^{Note 2}	V
Output voltage	V_{O1}	P00 to P07, P10 to P17, P20 to P27, P30 to P32, P35 to P37, P40 to P47, P50 to P57, P60 to P67, P70 to P77, P106, P107, P110 to P117, P120, P125 to P127, P130 to P136, P140 to P147, P150 to P157, P160 to P167	-0.3 to $EV_{DD0} = EV_{DD1} + 0.3$ and -0.3 to $V_{DD}+0.3$ ^{Note 2}	V
	V_{O2}	P33, P34, P80 to P87, P90 to P97, P100 to P105	-0.3 to $V_{DD}+0.3$	V
Analog input voltage	V_{AI1}	ANI24 to ANI30	-0.3 to $EV_{DD0} = EV_{DD1} + 0.3$ and -0.3 to $AV_{REF(+)}+0.3$ ^{Notes 2, 3}	V
	V_{AI2}	ANI0 to ANI23	-0.3 to $V_{DD}+0.3$ and -0.3 to $AV_{REF(+)}+0.3$ ^{Notes 2, 3}	V

Notes 1. Connect the REGC pin to V_{SS} via a capacitor (0.47 to 1 μ F). This value regulates the absolute maximum rating of the REGC pin. Do not use this pin with voltage applied to it.

2. Must be 6.5 V or lower.

3. For pins to be used in A/D conversion, the voltage should not exceed the value $AV_{REF(+)} + 0.3$.

Caution Product quality may suffer if the absolute maximum rating is exceeded even momentarily for any parameter. That is, the absolute maximum ratings are rated values at which the product is on the verge of suffering physical damage, and therefore the product must be used under conditions that ensure that the absolute maximum ratings are not exceeded.

Remark Unless specified otherwise, the characteristics of alternate-function pins are the same as those of the port pins.

(2/2)

Parameter	Symbol	Conditions		Ratings	Unit
Output current, high	I _{OH1}	Per pin	P00 to P07, P10 to P17, P20 to P27, P30 to P32, P35 to P37, P40 to P47, P50 to P57, P60 to P67, P70 to P77, P106, P107, P110 to P117, P120, P125 to P127, P130 to P136, P140 to P147, P150 to P157, P160 to P167	-40	mA
		Total of all pins -170 mA	P01, P02, P40 to P47, P110 to P117, P120, P125 to P127, P131 to P136, P150 to P153, P160 to P167	-70	mA
			P00, P03 to P07, P10 to P17, P20 to P27, P30 to P32, P35 to P37, P50 to P57, P60 to P67, P70 to P77, P106, P107, P130, P140 to P147, P154 to P157	-100	mA
	I _{OH2}	Per pin	P33, P34, P80 to P87, P90 to P97, P100 to P105	-0.5	mA
		Total of all pins		-2	mA
	Output current, low	I _{OL1}	Per pin	P00 to P07, P10 to P17, P20 to P27, P30 to P32, P35 to P37, P40 to P47, P50 to P57, P60 to P67, P70 to P77, P106, P107, P110 to P117, P120, P125 to P127, P130 to P136, P140 to P147, P150 to P157, P160 to P167	40
Total of all pins 170 mA			P01, P02, P40 to P47, P110 to P117, P120, P125 to P127, P131 to P136, P150 to P153, P160 to P167	70	mA
			P00, P03 to P07, P10 to P17, P20 to P27, P30 to P32, P35 to P37, P50 to P57, P60 to P67, P70 to P77, P106, P107, P130, P140 to P147, P154 to P157	100	mA
I _{OL2}		Per pin	P33, P34, P80 to P87, P90 to P97, P100 to P105	1	mA
		Total of all pins		5	mA
Operating ambient temperature		T _A	In normal operation mode		-40 to +125
	In flash memory programming mode				
Storage temperature	T _{stg}			-65 to +150	°C

Caution Product quality may suffer if the absolute maximum rating is exceeded even momentarily for any parameter. That is, the absolute maximum ratings are rated values at which the product is on the verge of suffering physical damage, and therefore the product must be used under conditions that ensure that the absolute maximum ratings are not exceeded.

Remark Unless specified otherwise, the characteristics of alternate-function pins are the same as those of the port pins.

36.2 Oscillator Characteristics

36.2.1 Main System Clock Oscillator Characteristics

($T_A = -40$ to $+125^\circ\text{C}$, $2.7\text{ V} \leq EV_{DD0} = EV_{DD1} = V_{DD} \leq 5.5\text{ V}$, $V_{SS} = EV_{SS0} = EV_{SS1} = 0\text{ V}$)

Resonator	Recommended Circuit	Parameter	Conditions	MIN.	TYP.	MAX.	Unit
Ceramic resonator/ Crystal resonator		X1 clock oscillation frequency (fx)	$2.7\text{ V} \leq V_{DD} \leq 5.5\text{ V}$	1.0		20.0	MHz

Cautions 1. When using the X1 oscillator, wire as follows in the area enclosed by the broken lines in the above figures to avoid an adverse effect from wiring capacitance.

- Keep the wiring length as short as possible.
- Do not cross the wiring with the other signal lines.
- Do not route the wiring near a signal line through which a high fluctuating current flows.
- Always make the ground point of the oscillator capacitor the same potential as Vss.
- Do not ground the capacitor to a ground pattern through which a high current flows.
- Do not fetch signals from the oscillator.

2. Customers are requested to consult the resonator manufacturer to select an appropriate resonator and to determine the proper oscillation constant. Customers are also requested to adequately evaluate the oscillation on their system. Determine the X1 clock oscillation stabilization time using the oscillation stabilization time of the oscillation stabilization time counter status register (OSTC) and the oscillation stabilization time select register (OSTS) after sufficiently evaluating the oscillation stabilization time with the resonator to be used.

36.2.2 On-chip Oscillator Characteristics

($T_A = -40$ to $+125^\circ\text{C}$, $2.7\text{ V} \leq \text{EV}_{\text{DD0}} = \text{EV}_{\text{DD1}} = \text{V}_{\text{DD}} \leq 5.5\text{ V}$, $\text{V}_{\text{SS}} = \text{EV}_{\text{SS0}} = \text{EV}_{\text{SS1}} = 0\text{ V}$)

Oscillators	Symbol	Conditions	MIN.	TYP.	MAX.	Unit
High-speed on-chip oscillator clock frequency ^{Note}	f_{IH}		1		48	MHz
High-speed on-chip oscillator clock frequency accuracy	-		-3		+3	%
Low-speed on-chip oscillator clock frequency	f_{IL} , f_{WDT}			15		kHz
Low-speed on-chip oscillator clock frequency accuracy	-		-15		+15	%

Note High-speed on-chip oscillator frequency is selected with bits 0 to 4 of the option byte (000C2H/020C2H) and bits 0 to 2 of the HOCODIV register.

36.2.3 Subsystem Clock Oscillator Characteristics

($T_A = -40$ to $+125^\circ\text{C}$, $2.7\text{ V} \leq EV_{DD0} = EV_{DD1} = V_{DD} \leq 5.5\text{ V}$, $V_{SS} = EV_{SS0} = EV_{SS1} = 0\text{ V}$)

Resonator	Recommended Circuit	Item	Conditions	MIN.	TYP.	MAX.	Unit
Crystal resonator		XT1 clock oscillation frequency (f_{XT})	$2.7\text{ V} \leq V_{DD} \leq 5.5\text{ V}$	29.0	32.768	35.0	kHz

Cautions 1. When using the XT1 oscillator, wire as follows in the area enclosed by the broken lines in the above figures to avoid an adverse effect from wiring capacitance.

- Keep the wiring length as short as possible.
 - Do not cross the wiring with the other signal lines.
 - Do not route the wiring near a signal line through which a high fluctuating current flows.
 - Always make the ground point of the oscillator capacitor the same potential as V_{SS} .
 - Do not ground the capacitor to a ground pattern through which a high current flows.
 - Do not fetch signals from the oscillator.
2. The XT1 oscillator is designed as a low-amplitude circuit for reducing power consumption and thus required to be adequately evaluated on the system. Customers are requested to consult the resonator manufacturer to select an appropriate resonator and to determine the proper oscillation constant.

36.2.4 PLL Circuit Characteristics

(T_A = -40 to +125°C, 2.7 V ≤ EV_{DD0} = EV_{DD1} = V_{DD} ≤ 5.5 V, V_{SS} = EV_{SS0} = EV_{SS1} = 0 V)

Resonator	Symbol	Conditions		MIN.	TYP.	MAX.	Unit
PLL input enable clock frequency ^{Note 1}	f _{PLLI}	PLLMUL = 0	PLLDIV0 = 0	3.92	4.0	4.08	MHz
			PLLDIV0 = 1	7.84	8.0	8.16	MHz
		PLLMUL = 1	PLLDIV0 = 0	3.92	4.0	4.08	MHz
			PLLDIV0 = 1	7.84	8.0	8.16	MHz
PLL output frequency (center value)	f _{PLL}	PLLMUL = 0	PLLDIV0 = 0	f _{PLLI} × 12/2		MHz	
			PLLDIV0 = 1	f _{PLLI} × 12/4		MHz	
		PLLMUL = 1 ^{Note 4}	PLLDIV0 = 0 ^{Note 4}	f _{PLLI} × 16/2		MHz	
			PLLDIV0 = 1	f _{PLLI} × 16/4		MHz	
Long-term jitter ^{Notes 2, 3}	t _{LJ}	f _{PLL} = 24 MHz (480 counts)		-2		+2	ns
		f _{PLL} = 32 MHz (640 counts)		-2		+2	ns
		f _{PLL} = 48 MHz (960 counts)		-2		+2	ns

Notes 1. If the high-speed on-chip oscillator clock is to be selected as the PLL input clock, the minimum and maximum values will reflect the range of accuracy of the oscillation frequency by the high-speed on-chip oscillator clock.

2. Guaranteed by design, but not tested before shipment.

3. Indicates 20 μs.

4. Setting of PLLMUL = 1 and PLLDIV0 = 0 is prohibited when f_{PLLI} > 6 MHz.

36.3 DC Characteristics

36.3.1 Pin Characteristics

For the relationship between the port pins shown in the following tables and the products, refer to **CHAPTER 4 PORT FUNCTIONS**.

($T_A = -40$ to $+125^\circ\text{C}$, $2.7\text{ V} \leq EV_{DD0} = EV_{DD1} = V_{DD} \leq 5.5\text{ V}$, $V_{SS} = EV_{SS0} = EV_{SS1} = 0\text{ V}$) (1/4)

Items	Symbol	Conditions	MIN.	TYP.	MAX.	Unit	
Output current, high Note 1	I _{OH1}	Per pin for P00 to P07, P10 to P17, P20 to P27, P30 to P32, P35 to P37, P40 to P47, P50 to P57, P60 to P67, P70 to P77, P106, P107, P110 to P117, P120, P125 to P127, P130 to P136, P140 to P147, P150 to P157, P160 to P167	$4.0\text{ V} \leq EV_{DD0} \leq 5.5\text{ V}$			-5.0	mA
			$2.7\text{ V} \leq EV_{DD0} < 4.0\text{ V}$			-3.0	mA
		Per pin for P10, P12, P14, P30, P120, P140 (special slew rate)	$4.0\text{ V} \leq EV_{DD0} \leq 5.5\text{ V}$			-0.6	mA
			$2.7\text{ V} \leq EV_{DD0} < 4.0\text{ V}$			-0.2	mA
		Total of P01, P02, P40 to P47, P110 to P117, P120, P125 to P127, P131 to P136, P150 to P153, P160 to P167 (for duty factors $\leq 70\%$ ^{Note 2})	$4.0\text{ V} \leq EV_{DD0} \leq 5.5\text{ V}$			-20.0	mA
			$2.7\text{ V} \leq EV_{DD0} < 4.0\text{ V}$			-10.0	mA
		Total of P00, P03 to P07, P10 to P17, P20 to P27, P30 to P32, P35 to P37, P50 to P57, P60 to P67, P70 to P77, P106, P107, P130, P140 to P147, P154 to P157 (for duty factors $\leq 70\%$ ^{Note 2})	$4.0\text{ V} \leq EV_{DD0} \leq 5.5\text{ V}$			-30.0	mA
			$2.7\text{ V} \leq EV_{DD0} < 4.0\text{ V}$			-19.0	mA
		Total of all pins (for duty factors $\leq 70\%$ ^{Note 2})	$4.0\text{ V} \leq EV_{DD0} \leq 5.5\text{ V}$			-42.0	mA
			$2.7\text{ V} \leq EV_{DD0} < 4.0\text{ V}$			-29.0	mA
I _{OH2}	Per pin for P33, P34, P80 to P87, P90 to P97, P100 to P105	$2.7\text{ V} \leq V_{DD} \leq 5.5\text{ V}$			-0.1	mA	
		Total of all pins (for duty factors $\leq 70\%$ ^{Note 2})	$2.7\text{ V} \leq V_{DD} \leq 5.5\text{ V}$			-2.0	mA

Notes 1. Value of current at which the device operation is guaranteed even if the current flows from pins EV_{DD0} , EV_{DD1} and V_{DD} to an output pin.

2. These output current values are obtained under the condition that the duty factor is no greater than 70%. The output current values when the duty factor is changed to a value greater than 70% can be calculated from the following expression (when the duty factor is changed to n%).

- Total output current of pins $(I_{OH} \times 0.7)/(n \times 0.01)$

<Example> Where $n = 80\%$ and $I_{OH} = -10.0\text{ mA}$

Total output current of pins = $(-10.0 \times 0.7)/(80 \times 0.01) \approx -8.7\text{ mA}$

However, the current that is allowed to flow into one pin does not vary depending on the duty factor. A current higher than the absolute maximum rating must not flow into one pin.

Remark Unless specified otherwise, the characteristics of alternate-function pins are the same as those of the port pins.

($T_A = -40$ to $+125^\circ\text{C}$, $2.7\text{ V} \leq EV_{DD0} = EV_{DD1} = V_{DD} \leq 5.5\text{ V}$, $V_{SS} = EV_{SS0} = EV_{SS1} = 0\text{ V}$) (2/4)

Items	Symbol	Conditions	MIN.	TYP.	MAX.	Unit	
Output current, low ^{Note 1}	I _{OL1}	Per pin for P00 to P07, P10 to P17, P20 to P27, P30 to P32, P35 to P37, P40 to P47, P50 to P57, P60 to P67, P70 to P77, P106, P107, P110 to P117, P120, P125 to P127, P130 to P136, P140 to P147, P150 to P157, P160 to P167	$4.0\text{ V} \leq EV_{DD0} \leq 5.5\text{ V}$			8.5	mA
			$2.7\text{ V} \leq EV_{DD0} < 4.0\text{ V}$			4.0	mA
		Per pin for P10, P12, P14, P30, P120, P140 (special slew rate)	$4.0\text{ V} \leq EV_{DD0} \leq 5.5\text{ V}$			0.59	mA
			$2.7\text{ V} \leq EV_{DD0} < 4.0\text{ V}$			0.07	mA
		Total of P01, P02, P40 to P47, P110 to P117, P120, P125 to P127, P131 to P136, P150 to P153, P160 to P167 (for duty factors $\leq 70\%$ ^{Note 2})	$4.0\text{ V} \leq EV_{DD0} \leq 5.5\text{ V}$			20.0	mA
			$2.7\text{ V} \leq EV_{DD0} < 4.0\text{ V}$			15.0	mA
		Total of P00, P03 to P07, P10 to P17, P20 to P27, P30 to P32, P35 to P37, P50 to P57, P60 to P67, P70 to P77, P106, P107, P130, P140 to P147, P154 to P157 (for duty factors $\leq 70\%$ ^{Note 2})	$4.0\text{ V} \leq EV_{DD0} \leq 5.5\text{ V}$			45.0	mA
			$2.7\text{ V} \leq EV_{DD0} < 4.0\text{ V}$			35.0	mA
		Total of all pins (for duty factors $\leq 70\%$ ^{Note 2})	$4.0\text{ V} \leq EV_{DD0} \leq 5.5\text{ V}$			65.0	mA
			$2.7\text{ V} \leq EV_{DD0} < 4.0\text{ V}$			50.0	mA
I _{OL2}	Per pin for P33, P34, P80 to P87, P90 to P97, P100 to P105	$2.7\text{ V} \leq V_{DD} \leq 5.5\text{ V}$			0.4	mA	
		$2.7\text{ V} \leq V_{DD} \leq 5.5\text{ V}$			5.0	mA	
		Total of all pins (for duty factors $\leq 70\%$ ^{Note 2})	$2.7\text{ V} \leq V_{DD} \leq 5.5\text{ V}$			5.0	mA

Notes 1. Value of current at which the device operation is guaranteed even if the current flows to the EV_{SS0}, EV_{SS1} and V_{SS} pins from an output pin.

2. These output current values are obtained under the condition that the duty factor is no greater than 70%. The output current values when the duty factor is changed to a value greater than 70% can be calculated from the following expression (when the duty factor is changed to n%).

- Total output current of pins $(I_{OL} \times 0.7)/(n \times 0.01)$

<Example> Where $n = 80\%$ and $I_{OL} = 10.0\text{ mA}$

Total output current of pins = $(10.0 \times 0.7)/(80 \times 0.01) \approx 8.7\text{ mA}$

However, the current that is allowed to flow into one pin does not vary depending on the duty factor. A current higher than the absolute maximum rating must not flow into one pin.

Remark Unless specified otherwise, the characteristics of alternate-function pins are the same as those of the port pins.

($T_A = -40$ to $+125^\circ\text{C}$, $2.7\text{ V} \leq EV_{DD0} = EV_{DD1} = V_{DD} \leq 5.5\text{ V}$, $V_{SS} = EV_{SS0} = EV_{SS1} = 0\text{ V}$) (3/4)

Items	Symbol	Conditions	MIN.	TYP.	MAX.	Unit	
Input voltage, high	V_{IH1}	P00 to P07, P10 to P17, P20 to P27, P30 to P32, P35 to P37, P40 to P47, P50 to P57, P60 to P67, P70 to P77, P106, P107, P110 to P117, P120, P125 to P127, P131 to P136, P140 to P147, P150 to P157, P160 to P167 (Schmitt 1 mode)	$4.0\text{ V} \leq EV_{DD0} \leq 5.5\text{ V}$	0.65 EV_{DD0}		EV_{DD0} ^{Note}	V
			$2.7\text{ V} \leq EV_{DD0} < 4.0\text{ V}$	0.7 EV_{DD0}		EV_{DD0} ^{Note}	V
	V_{IH2}	P00, P10, P11, P13, P14, P16, P17, P20, P21, P24, P25, P30, P37, P43, P50, P52 to P54, P60 to P63, P70, P71, P73, P75 to P77, P107, P125, P150, P152- P154, P156 (Schmitt 3 mode)	$4.0\text{ V} \leq EV_{DD0} \leq 5.5\text{ V}$	0.8 EV_{DD0}		EV_{DD0} ^{Note}	V
			$2.7\text{ V} \leq EV_{DD0} < 4.0\text{ V}$	0.85 EV_{DD0}		EV_{DD0} ^{Note}	V
	V_{IH3}	P10, P11, P13, P14, P16, P17, P30, P54, P62, P63, P70, P71, P73, P125 (TTL mode)	$4.0\text{ V} \leq EV_{DD0} \leq 5.5\text{ V}$	2.2		EV_{DD0} ^{Note}	V
			$2.7\text{ V} \leq EV_{DD0} < 4.0\text{ V}$	2.0		EV_{DD0} ^{Note}	V
	V_{IH4}	P33, P34, P80 to P87, P90 to P97, P100 to P105, P137 (fixed to Schmitt 3 mode)	$4.0\text{ V} \leq V_{DD} \leq 5.5\text{ V}$	0.8 V_{DD}		V_{DD}	V
			$2.7\text{ V} \leq V_{DD} < 4.0\text{ V}$	0.85 V_{DD}		V_{DD}	V
	V_{IH5}	$\overline{\text{RESET}}$ (fixed to Schmitt 1 mode)	$4.0\text{ V} \leq V_{DD} \leq 5.5\text{ V}$	0.65 V_{DD}		V_{DD}	V
			$2.7\text{ V} \leq V_{DD} < 4.0\text{ V}$	0.7 V_{DD}		V_{DD}	V
	V_{IH6}	P121 to P124, EXCLK, EXCLKS (fixed to Schmitt 2 mode)	$4.0\text{ V} \leq V_{DD} \leq 5.5\text{ V}$	0.8 V_{DD}		V_{DD}	V
			$2.7\text{ V} \leq V_{DD} < 4.0\text{ V}$	0.8 V_{DD}		V_{DD}	V

Note The maximum value of V_{IH} of the pins P10 to P17, P60 to P63, P70 to P72, and P120 is EV_{DD0} , even in N-ch open-drain mode.

Remark Unless specified otherwise, the characteristics of alternate-function pins are the same as those of the port pins.

($T_A = -40$ to $+125^\circ\text{C}$, $2.7\text{ V} \leq EV_{DD0} = EV_{DD1} = V_{DD} \leq 5.5\text{ V}$, $V_{SS} = EV_{SS0} = EV_{SS1} = 0\text{ V}$) (4/4)

Items	Symbol	Conditions	MIN.	TYP.	MAX.	Unit	
Input voltage, low	V _{IL1}	P00 to P07, P10 to P17, P20 to P27, P30 to P32, P35 to P37, P40 to P47, P50 to P57, P60 to P67, P70 to P77, P106, P107, P110 to P117, P120, P125 to P127, P131 to P136, P140 to P147, P150-P157, P160 to P167 (Schmitt 1 mode)	$4.0\text{ V} \leq EV_{DD0} \leq 5.5\text{ V}$	0		0.35 EV _{DD0}	V
			$2.7\text{ V} \leq EV_{DD0} < 4.0\text{ V}$	0		0.3 EV _{DD0}	V
	V _{IL2}	P00, P10, P11, P13, P14, P16, P17, P20, P21, P24, P25, P30, P37, P43, P50, P52 to P54, P60 to P63, P70, P71, P73, P75 to P77, P107, P125, P150, P152-P154, P156 (Schmitt 3 mode)	$4.0\text{ V} \leq EV_{DD0} \leq 5.5\text{ V}$	0		0.5 EV _{DD0}	V
			$2.7\text{ V} \leq EV_{DD0} < 4.0\text{ V}$	0		0.4 EV _{DD0}	V
	V _{IL3}	P10, P11, P13, P14, P16, P17, P30, P54, P62, P63, P70, P71, P73, P125 (TTL mode)	$4.0\text{ V} \leq EV_{DD0} \leq 5.5\text{ V}$	0		0.8	V
			$2.7\text{ V} \leq EV_{DD0} < 4.0\text{ V}$	0		0.5	V
	V _{IL4}	P33, P34, P80 to P87, P90 to P97, P100 to P105, P137 (fixed to Schmitt 3 mode)	$4.0\text{ V} \leq V_{DD} \leq 5.5\text{ V}$	0		0.5 V _{DD}	V
			$2.7\text{ V} \leq V_{DD} < 4.0\text{ V}$	0		0.4 V _{DD}	V
	V _{IL5}	RESET̄ (fixed to Schmitt 1 mode)	$4.0\text{ V} \leq V_{DD} \leq 5.5\text{ V}$	0		0.35 V _{DD}	V
			$2.7\text{ V} \leq V_{DD} < 4.0\text{ V}$	0		0.3 V _{DD}	V
	V _{IL6}	P121 to P124, EXCLK, EXCLKS (fixed to Schmitt 2 mode)	$4.0\text{ V} \leq V_{DD} \leq 5.5\text{ V}$	0		0.2 V _{DD}	V
			$2.7\text{ V} \leq V_{DD} < 4.0\text{ V}$	0		0.2 V _{DD}	V

Remark Unless specified otherwise, the characteristics of alternate-function pins are the same as those of the port pins.

($T_A = -40$ to $+125^\circ\text{C}$, $2.7\text{ V} \leq EV_{DD0} = EV_{DD1} = V_{DD} \leq 5.5\text{ V}$, $V_{SS} = EV_{SS0} = EV_{SS1} = 0\text{ V}$) (1/2)

Items	Symbol	Conditions	MIN.	TYP.	MAX.	Unit
Output voltage, high	V _{OH1}	P00 to P07, P10 to P17, P20 to P27, P30 to P32, P35 to P37, P40 to P47, P50 to P57, P60 to P67, P70 to P77, P106, P107, P110 to P117, P120, P125 to P127, P130 to P136, P140 to P147, P150 to P157, P160 to P167 (normal slew rate)	$4.0\text{ V} \leq EV_{DD0} \leq 5.5\text{ V}$, $I_{OH1} = -5.0\text{ mA}$	EV _{DD0} - 0.9		V
			$2.7\text{ V} \leq EV_{DD0} \leq 5.5\text{ V}$, $I_{OH1} = -3.0\text{ mA}$	EV _{DD0} - 0.7		V
			$2.7\text{ V} \leq EV_{DD0} \leq 5.5\text{ V}$, $I_{OH1} = -1.0\text{ mA}$	EV _{DD0} - 0.5		V
	V _{OH2}	P33, P34, P80 to P87, P90 to P97, P100 to P105	$2.7\text{ V} \leq V_{DD} \leq 5.5\text{ V}$ $I_{OH2} = -100\text{ }\mu\text{A}$	V _{DD} -0.5		V
	V _{OH3}	P10, P12, P14, P30, P120, P140 (special slew rate)	$4.0\text{ V} \leq EV_{DD0} \leq 5.5\text{ V}$, $I_{OH3} = -0.6\text{ mA}$	EV _{DD0} - 0.8		V
			$2.7\text{ V} \leq EV_{DD0} \leq 5.5\text{ V}$, $I_{OH3} = -0.2\text{ mA}$	EV _{DD0} - 0.5		V
Output voltage, low	V _{OL1}	P00 to P07, P10 to P17, P20 to P27, P30 to P32, P35 to P37, P40 to P47, P50 to P57, P60 to P67, P70 to P77, P106, P107, P110 to P117, P120, P125 to P127, P130 to P136, P140 to P147, P150 to P157, P160 to P167 (normal slew rate)	$4.0\text{ V} \leq EV_{DD0} \leq 5.5\text{ V}$, $I_{OL1} = 8.5\text{ mA}$		0.7	V
			$4.0\text{ V} \leq EV_{DD0} \leq 5.5\text{ V}$, $I_{OL1} = 4.0\text{ mA}$		0.4	V
			$2.7\text{ V} \leq EV_{DD0} \leq 5.5\text{ V}$, $I_{OL1} = 4.0\text{ mA}$		0.7	V
			$2.7\text{ V} \leq EV_{DD0} \leq 5.5\text{ V}$, $I_{OL1} = 1.5\text{ mA}$		0.4	V
	V _{OL2}	P33, P34, P80 to P87, P90 to P97, P100 to P105	$2.7\text{ V} \leq V_{DD} \leq 5.5\text{ V}$ $I_{OL2} = 400\text{ }\mu\text{A}$		0.4	V
	V _{OL3}	P10, P12, P14, P30, P120, P140 (special slew rate)	$4.0\text{ V} \leq EV_{DD0} \leq 5.5\text{ V}$, $I_{OL3} = 0.6\text{ mA}$		0.8	V
			$2.7\text{ V} \leq EV_{DD0} \leq 5.5\text{ V}$, $I_{OL3} = 0.07\text{ mA}$		0.5	V

Caution P10 to P17, P60 to P63, P70 to P72, and P120 do not output high level in N-ch open-drain mode.

Remark Unless specified otherwise, the characteristics of alternate-function pins are the same as those of the port pins.

(T_A = -40 to +125°C, 2.7 V ≤ EV_{DD0} = EV_{DD1} = V_{DD} ≤ 5.5 V, V_{SS} = EV_{SS0} = EV_{SS1} = 0 V) (2/2)

Items	Symbol	Conditions	MIN.	TYP.	MAX.	Unit		
Input leakage current, high	I _{LIH1}	P00 to P07, P10 to P17, P20 to P27, P30 to P32, P35 to P37, P40 to P47, P50 to P57, P60 to P67, P70 to P77, P106, P107, P110 to P117, P120, P125 to P127, P131 to P136, P140 to P147, P150 to P157, P160 to P167	V _I = EV _{DD0}			1	μA	
	I _{LIH2}	P33, P34, P80 to P87, P90 to P97, P100 to P105, P137, RESET	V _I = V _{DD}			1	μA	
	I _{LIH3}	P121 to P124 (X1, X2, XT1, XT2, EXCLK, EXCLKS)	V _I = V _{DD}	In input port or external clock input			1	μA
				In resonator connection			10	μA
Input leakage current, low	I _{LIL1}	P00 to P07, P10 to P17, P20 to P27, P30 to P32, P35 to P37, P40 to P47, P50 to P57, P60 to P67, P70 to P77, P106, P107, P110 to P117, P120, P125 to P127, P131 to P136, P140 to P147, P150 to P157, P160 to P167	V _I = EV _{SS0}			-1	μA	
	I _{LIL2}	P33, P34, P80 to P87, P90 to P97, P100 to P105, P137, RESET	V _I = V _{SS}			-1	μA	
	I _{LIL3}	P121 to P124 (X1, X2, XT1, XT2, EXCLK, EXCLKS)	V _I = V _{SS}	In input port or external clock input			-1	μA
				In resonator connection			-10	μA
On-chip pull-up resistance	R _U	P00 to P07, P10 to P17, P20 to P27, P30 to P32, P35 to P37, P40 to P47, P50 to P57, P60 to P67, P70 to P77, P106, P107, P110 to P117, P120, P125 to P127, P131 to P136, P140 to P147, P150 to P157, P160 to P167	V _I = EV _{SS0} , in input port	10	20	100	kΩ	

Caution P10 to P17, P60 to P63, P70 to P72, and P120 do not output high level in N-ch open-drain mode.

Remark Unless specified otherwise, the characteristics of alternate-function pins are the same as those of the port pins.

36.3.2 Supply Current Characteristics

(T_A = -40 to +125°C, 2.7 V ≤ EV_{DD0} = EV_{DD1} = V_{DD} ≤ 5.5 V, V_{SS} = EV_{SS0} = EV_{SS1} = 0 V) (1/3)

Items	Symbol	Conditions					MIN.	TYP.	MAX.	Unit
Supply current ^{Note 1}	I _{DD1}	Operating mode	Normal operation ^{Note 2}	High-speed on-chip oscillator clock operation	f _{IH} = 48 MHz	f _{CLK} = 24 MHz Notes 3, 4		6.1	13.5	mA
					f _{IH} = 24 MHz	f _{CLK} = f _{IH} ^{Notes 3, 4}		5.8	12.5	mA
					f _{IH} = 1 MHz	f _{CLK} = f _{IH} ^{Notes 3, 4}		1.2	2.8	mA
				Resonator operation	f _{MX} = 20 MHz	f _{CLK} = f _{MX} ^{Notes 3, 5}		5.1	10.0	mA
					f _{MX} = 1 MHz	f _{CLK} = f _{MX} ^{Notes 3, 5}		1.1	3.0	mA
				Resonator operation (PLL operation) (PLL input clock = f _{MX})	f _{PLL} = 48 MHz, f _{MX} = 8 MHz	f _{CLK} = 24 MHz Notes 3, 6		6.1	13.5	mA
					f _{PLL} = 24 MHz, f _{MX} = 8 MHz	f _{CLK} = 24 MHz Notes 3, 6		6.1	12.5	mA
					f _{PLL} = 24 MHz, f _{MX} = 4 MHz	f _{CLK} = 24 MHz Notes 3, 6		5.8	12.5	mA
				Subsystem clock operation	f _{SUB} = 32.768 kHz	f _{CLK} = f _{SUB} ^{Note 7}		7.1	170.0	μA
				Low-speed on-chip oscillator clock operation	f _{IL} = 15 kHz	f _{CLK} = f _{IL} ^{Note 8}		3.6	160.0	μA

- Notes 1.** Total current flowing into V_{DD}, EV_{DD0}, and EV_{DD1}, including the input leakage current flowing when the level of the input pin is fixed to V_{DD}, EV_{DD0}, EV_{DD1}, V_{SS}, EV_{SS0}, or EV_{SS1}. However, not including the current flowing into the I/O buffer and on-chip pull-up/pull-down resistors.
- 2.** Current drawn when all the CPU instructions are executed.
- 3.** The values below the MAX. column include the peripheral operation current (except for background operation (BGO)). However, the LVD circuit, A/D converter, D/A converter, and comparator are stopped.
- 4.** When high-speed system clock, subsystem clock, PLL clock, and low-speed on-chip oscillator clock are stopped.
- 5.** When subsystem clock, PLL clock, high-speed on-chip oscillator clock, and low-speed on-chip oscillator clock are stopped.
- 6.** When subsystem clock, high-speed on-chip oscillator clock, and low-speed on-chip oscillator clock are stopped.
- 7.** When high-speed system clock, PLL clock, high-speed on-chip oscillator clock, and low-speed on-chip oscillator are stopped.
- 8.** When high-speed system clock, subsystem clock, PLL clock, and high-speed on-chip oscillator clock are stopped.

- Remarks 1.** f_{MX}: High-speed system clock frequency
- 2.** f_{SUB}: Subsystem clock frequency
- 3.** f_{PLL}: PLL clock frequency
- 4.** f_{IH}: High-speed on-chip oscillator clock frequency
- 5.** f_{IL}: Low-speed on-chip oscillator clock frequency
- 6.** f_{CLK}: CPU/peripheral hardware clock frequency

($T_A = -40$ to $+125^\circ\text{C}$, $2.7\text{ V} \leq EV_{DD0} = EV_{DD1} = V_{DD} \leq 5.5\text{ V}$, $V_{SS} = EV_{SS0} = EV_{SS1} = 0\text{ V}$) (2/3)

Items	Symbol	Conditions				MIN.	TYP.	MAX.	Unit
Supply current ^{Notes 1, 3}	I _{DD2}	HALT mode Note 2	High-speed on-chip oscillator clock operation	f _{IH} = 48 MHz	f _{CLK} = 24 MHz Note 5		1.0	9.0	mA
				f _{IH} = 24 MHz	f _{CLK} = f _{IH} ^{Note 5}		0.8	8.0	mA
				f _{IH} = 1 MHz	f _{CLK} = f _{IH} ^{Note 5}		0.3	1.7	mA
			Resonator operation	f _{MX} = 20 MHz	f _{CLK} = f _{MX} ^{Note 6}		0.7	7.0	mA
				f _{MX} = 1 MHz	f _{CLK} = f _{MX} ^{Note 6}		0.2	1.7	mA
			Resonator operation (PLL operation) (PLL input clock = f _{MX})	f _{PLL} = 48 MHz, f _{MX} = 8 MHz	f _{CLK} = 24 MHz Note 7		1.0	9.0	mA
				f _{PLL} = 24 MHz, f _{MX} = 8 MHz	f _{CLK} = 24 MHz Note 7		0.9	8.0	mA
				f _{PLL} = 24 MHz, f _{MX} = 4 MHz	f _{CLK} = 24 MHz Note 7		0.8	8.0	mA
			Subsystem clock operation	f _{SUB} = 32.768 kHz	f _{CLK} = f _{SUB} ^{Note 8}		0.7	160.0	μA
			Low-speed on-chip oscillator clock operation	f _{IL} = 15 kHz	f _{CLK} = f _{IL} ^{Note 9}		0.7	150.0	μA
I _{DD3}	STOP mode Note 4	T _A = +25°C			0.5		μA		
		T _A = +50°C				4.5			
		T _A = +70°C				8.0			
		T _A = +105°C				50.0			
		T _A = +125°C				100.0			

- Notes**
- Total current flowing into V_{DD}, EV_{DD0}, and EV_{DD1}, including the input leakage current flowing when the level of the input pin is fixed to V_{DD}, EV_{DD0}, EV_{DD1}, V_{SS}, EV_{SS0}, or EV_{SS1}. However, not including the current flowing into the I/O buffer and on-chip pull-up/pull-down resistors.
 - When HALT mode is entered during fetch from the flash memory.
 - The values below the MAX. column include the peripheral operation current and STOP leakage current. However, the watchdog timer, LVD circuit, A/D converter, D/A converter, and comparator are stopped.
 - When high-speed system clock, subsystem clock, PLL clock, high-speed on-chip oscillator clock, and low-speed on-chip oscillator clock are stopped.
 - When high-speed system clock, subsystem clock, PLL clock, and low-speed on-chip oscillator clock are stopped.
 - When subsystem clock, PLL clock, high-speed on-chip oscillator clock, and low-speed on-chip oscillator clock are stopped.
 - When subsystem clock, high-speed on-chip oscillator clock, and low-speed on-chip oscillator clock are stopped.
 - When high-speed system clock, PLL clock, high-speed on-chip oscillator clock, and low-speed on-chip oscillator clock are stopped.
 - When high-speed system clock, subsystem clock, PLL clock, and high-speed on-chip oscillator clock are stopped.

- Remarks**
- f_{MX}: High-speed system clock frequency
 - f_{SUB}: Subsystem clock frequency
 - f_{PLL}: PLL clock frequency
 - f_{IH}: High-speed on-chip oscillator clock frequency
 - f_{IL}: Low-speed on-chip oscillator clock frequency
 - f_{CLK}: CPU/peripheral hardware clock frequency

($T_A = -40$ to $+125^\circ\text{C}$, $2.7\text{ V} \leq EV_{DD0} = EV_{DD1} = V_{DD} \leq 5.5\text{ V}$, $V_{SS} = EV_{SS0} = EV_{SS1} = 0\text{ V}$) (3/3)

Items	Symbol	Conditions			MIN.	TYP.	MAX.	Unit
Supply current ^{†Notes 1, 2}	I _{SNOZ}	SNOOZE mode	A/D converter operation	During mode transition		1.0	1.7	mA
				During conversion	Low-voltage mode AV _{REFP} = V _{DD} = 5.0 V		2.1	3.4
			DTC operation			5.5		mA

- Notes 1.** Total current flowing into V_{DD}, EV_{DD0}, and EV_{DD1}, including the input leakage current flowing when the level of the input pin is fixed to V_{DD}, EV_{DD0}, EV_{DD1}, V_{SS}, EV_{SS0}, or EV_{SS1}. However, not including the current flowing into the I/O buffer and on-chip pull-up/pull-down resistors.
- 2.** The values below the MAX. column include the STOP leakage current.

($T_A = -40$ to $+125^\circ\text{C}$, $2.7\text{ V} \leq \text{EV}_{\text{DD0}} = \text{EV}_{\text{DD1}} = \text{V}_{\text{DD}} \leq 5.5\text{ V}$, $\text{V}_{\text{SS}} = \text{EV}_{\text{SS0}} = \text{EV}_{\text{SS1}} = 0\text{ V}$)

Parameter	Symbol	Conditions		MIN.	TYP.	MAX.	Unit
Window watchdog timer operating current	I_{WDT} ^{Notes 1, 2}	$f_{\text{IL}} = 15\text{ kHz}$			0.22		μA
A/D converter operating current	I_{ADC} ^{Note 3}	When conversion at maximum speed	Normal mode, $\text{AV}_{\text{REFP}} = \text{V}_{\text{DD}} = 5.0\text{ V}$		1.3	1.7	mA
		When internal reference voltage is selected ^{Note 5}			75.0		μA
LVD operating current	I_{LVD} ^{Note 4}				0.08		μA
Temperature sensor operating current	I_{TMPS}				75.0		μA
D/A converter operating current	I_{DAC}	Per channel			0.8	1.5	mA
Comparator operating current	I_{CMP}				50.0		μA
BGO operating current	I_{BGO} ^{Note 6}				2.50	12.20	mA

- Notes**
- When the high-speed on-chip oscillator clock and high-speed system clock are stopped.
 - Current flowing only to the watchdog timer (including the operation current of the 1.5 kHz on-chip oscillator). The current value is the sum of I_{DD1} , I_{DD2} , or I_{DD3} and I_{WDT} when the watchdog timer operates in STOP mode.
 - Current flowing only to the A/D converter. The current value is the sum of I_{DD1} or I_{DD2} and I_{ADC} when the A/D converter operates in operation mode or HALT mode.
 - Current flowing only to the LVD circuit. The current value is the sum of I_{DD1} , I_{DD2} , or I_{DD3} and I_{LVD} when the LVD circuit operates in operation mode, HALT mode, or STOP mode.
 - Operating current that increases when the internal reference voltage is selected. This current flows even when conversion is stopped.
 - Current increased by the BGO operation. The current value is the sum of I_{DD1} or I_{DD2} and I_{BGO} when the BGO operates in operation mode or HALT mode.

36.4 AC Characteristics

36.4.1 Basic Operation

($T_A = -40$ to $+125^\circ\text{C}$, $2.7\text{ V} \leq EV_{DD0} = EV_{DD1} = V_{DD} \leq 5.5\text{ V}$, $V_{SS} = EV_{SS0} = EV_{SS1} = 0\text{ V}$) (1/2)

Parameter	Symbol	Conditions	MIN.	TYP.	MAX.	Unit
Instruction cycle (minimum instruction execution time)	T_{CY}	High-speed on-chip oscillator clock operation	0.04166		1	μs
		High-speed system clock operation	0.05		1	μs
		PLL clock operation	0.04166		1	μs
		Subsystem clock operation	28.5	30.5	34.5	μs
		Low-speed on-chip oscillator clock operation		66.6		μs
		In self programming mode	0.04166		1	μs
CPU/peripheral hardware clock frequency	f_{CLK}		0.04166		66.6	μs
External system clock frequency	f_{EX}		1.0		20.0	MHz
	f_{EXS}		29		35	kHz
External system clock input high-level width, low-level width	t_{EXH} , t_{EXL}		24			ns
	t_{EXHS} , t_{EXLS}		13.7			μs
TI00 to TI07, TI10 to TI17, TI20 to TI27 input high-level width, low-level width	t_{TIH} , t_{TIL}		$1/f_{MCK}+10$			ns
TO00 to TO07, TO10 to TO17, TO20 to TO27 output frequency	f_{TO}	All TO pins, Normal slew rate, $C = 30\text{ pF}$	$4.0\text{ V} \leq EV_{DD0} \leq 5.5\text{ V}$		12	MHz
			$2.7\text{ V} \leq EV_{DD0} < 4.0\text{ V}$		6	MHz
		TO01, TO06, TO07, TO11, TO13 only, Special slew rate, $C = 30\text{ pF}$			2	MHz
PCLBUZ0 output frequency	f_{PCL}	Normal slew rate $C = 30\text{ pF}$	$4.0\text{ V} \leq EV_{DD0} \leq 5.5\text{ V}$		12	MHz
			$2.7\text{ V} \leq EV_{DD0} < 4.0\text{ V}$		6	MHz
		Special slew rate $C = 30\text{ pF}$			2	MHz
Timer RJ input cycle	t_C	TRJIO0	100			ns
Timer RJ input high-level width, low-level width	t_{WH} , t_{WL}	TRJIO0	40			ns
	t_{INTH} , t_{INTL}	INTP0 to INTP15 ^{Note}	1			μs
KR0 to KR7 key interrupt input low-level width	t_{KR}		250			ns
RESET low-level width	t_{RSL}		10			μs

Note Pins RESET, INTP0 to INTP3, INTP12, and INTP13 have noise filters for transient levels lasting less than 100 ns.

Caution Excluding the error in oscillation frequency accuracy.

Remark f_{MCK} : Timer array unit operation clock frequency

($T_A = -40$ to $+125^\circ\text{C}$, $2.7\text{ V} \leq EV_{DD0} = EV_{DD1} = V_{DD} \leq 5.5\text{ V}$, $V_{SS} = EV_{SS0} = EV_{SS1} = 0\text{ V}$) (2/2)

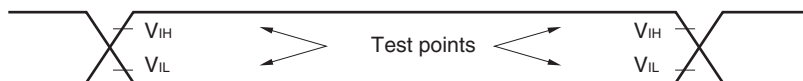
Parameter	Symbol	Conditions	MIN.	TYP.	MAX.	Unit	
Port output rise time, port output fall time	t_{RO}, t_{FO}	P00 to P07, P10 to P17, P20 to P27, P30 to P32, P35 to P37, P40 to P47, P50 to P57, P60 to P67, P70 to P77, P106, P107, P110 to P117, P120, P125 to P127, P130 to P136, P140 to P147, P150 to 157, P160-P167 (normal slew rate) C = 30 pF	$4.0\text{ V} \leq EV_{DD0} \leq 5.5\text{ V}$			25	ns
			$2.7\text{ V} \leq EV_{DD0} < 4.0\text{ V}$			55	ns
		P10, P12, P14, P30, P120, P140 (special slew rate) C = 30 pF	$4.0\text{ V} \leq EV_{DD0} \leq 5.5\text{ V}$		25 ^{Note}	60	ns
			$2.7\text{ V} \leq EV_{DD0} < 4.0\text{ V}$			100	ns

Note $T_A = +25^\circ\text{C}$, $EV_{DD0} = 5.0\text{ V}$

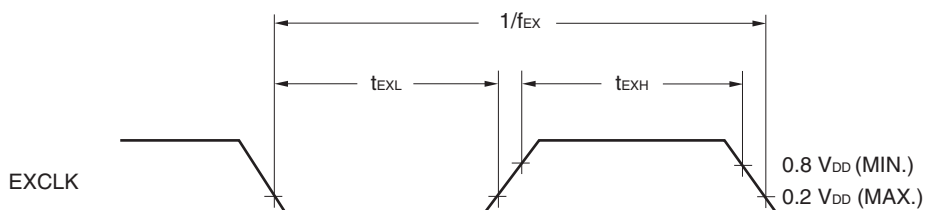
Caution Excluding the error in oscillation frequency accuracy.

Remark f_{MCK} : Timer array unit operation clock frequency

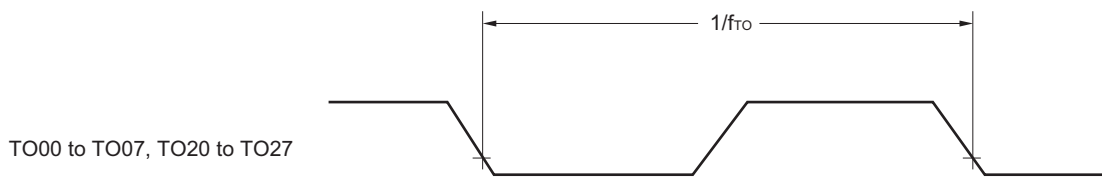
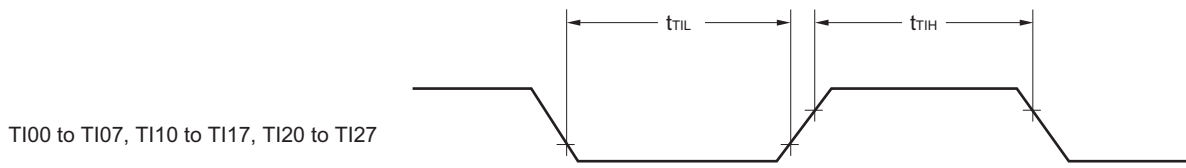
AC Timing Test Points



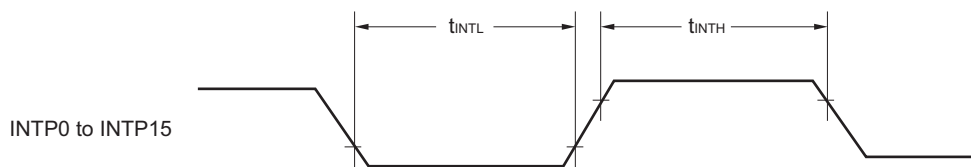
External System Clock Timing



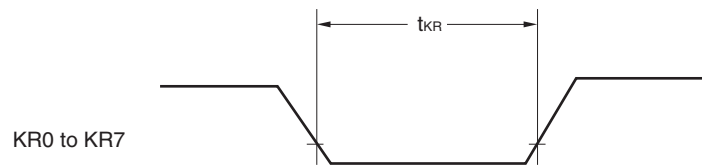
TI/TO Timing



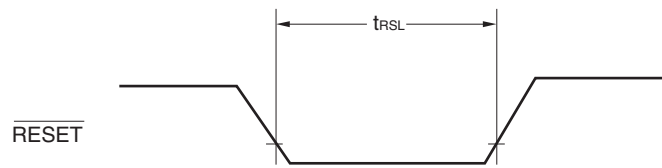
Interrupt Request Input Timing



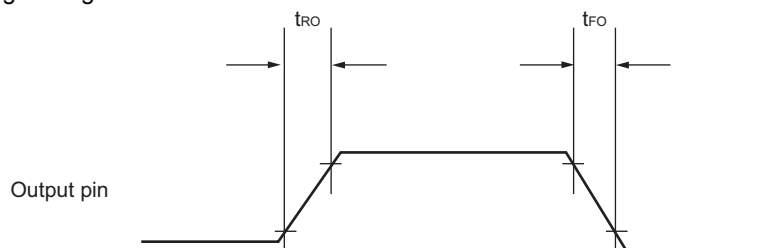
Key Interrupt Input Timing



RESET Input Timing



Output Rising and Falling Timing



36.5 Peripheral Functions Characteristics

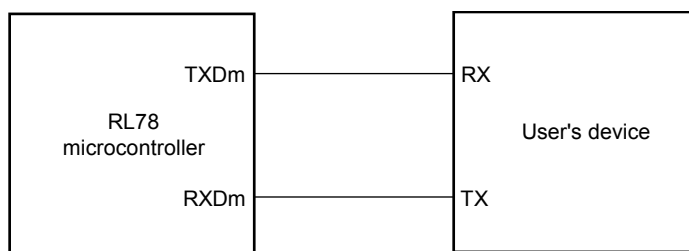
36.5.1 Serial Array Unit

(1) During communication at same potential (UART mode) (dedicated baud rate generator output)

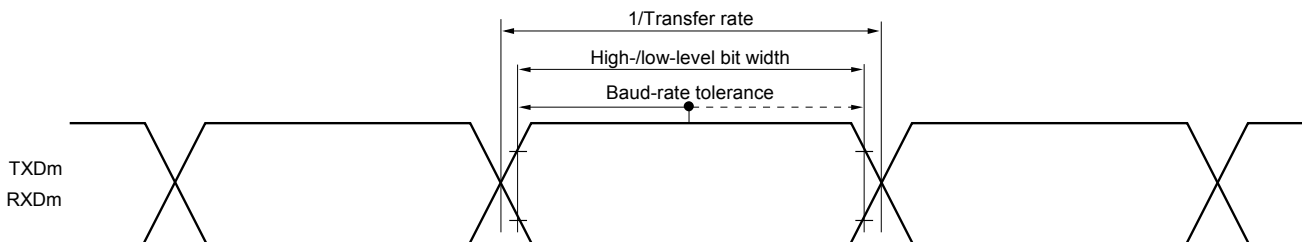
($T_A = -40$ to $+125^\circ\text{C}$, $2.7\text{ V} \leq \text{EV}_{\text{DD}0} = \text{EV}_{\text{DD}1} = \text{V}_{\text{DD}} \leq 5.5\text{ V}$, $\text{V}_{\text{SS}} = \text{EV}_{\text{SS}0} = \text{EV}_{\text{SS}1} = 0\text{ V}$)

Parameter	Symbol	Conditions	MIN.	TYP.	MAX.	Unit
Transfer rate	-				$f_{\text{MCK}}/6$	bps
		$f_{\text{CLK}} = 24\text{ MHz}$,	Normal slew rate		4	Mbps
		$f_{\text{MCK}} = f_{\text{CLK}}$		Special slew rate		2

UART mode connection diagram (during communication at same potential)



UART mode bit width (during communication at same potential) (reference)



Caution Select the normal input buffer for the RXD0 pin and RXD1 pin (RXD2 pin is fixed to normal input mode) and normal output mode for the TXD0 pin and TXD1 pin (TXD2 pin is fixed to normal output mode).

Remarks 1. f_{MCK} : Serial array unit operation clock frequency
 2. m: Unit m (m = 0 to 2)

(2) During communication at same potential (CSI mode) (master mode, $\overline{\text{SCKp}}$... internal clock output, normal slew rate)

($T_A = -40$ to $+125^\circ\text{C}$, $2.7\text{ V} \leq \text{EV}_{\text{DD0}} = \text{EV}_{\text{DD1}} = \text{V}_{\text{DD}} \leq 5.5\text{ V}$, $\text{V}_{\text{SS}} = \text{EV}_{\text{SS0}} = \text{EV}_{\text{SS1}} = 0\text{ V}$)

Parameter	Symbol	Conditions	MIN.	TYP.	MAX.	Unit
$\overline{\text{SCKp}}$ cycle time	t_{CY1}		166.6 ^{Note 4}			ns
$\overline{\text{SCKp}}$ high-level width, low-level width	t_{KH1} t_{KL1}	$4.0\text{ V} \leq \text{EV}_{\text{DD0}} \leq 5.5\text{ V}$	$t_{\text{CY1}}/2 - 12$			ns
		$2.7\text{ V} \leq \text{EV}_{\text{DD0}} < 4.0\text{ V}$	$t_{\text{CY1}}/2 - 18$			ns
Slp setup time (to $\overline{\text{SCKp}}\uparrow$) ^{Note 1}	t_{SIK1}	$4.0\text{ V} \leq \text{EV}_{\text{DD0}} \leq 5.5\text{ V}$	55			ns
		$2.7\text{ V} \leq \text{EV}_{\text{DD0}} < 4.0\text{ V}$	66			ns
Slp hold time (from $\overline{\text{SCKp}}\uparrow$) ^{Note 2}	t_{SH1}		30			ns
Delay time from $\overline{\text{SCKp}}\downarrow$ to SOp output	t_{KSO1}	$C = 30\text{ pF}$ ^{Note 3}			40	ns

- Notes**
1. When $\text{DAPmn} = 0$ and $\text{CKPmn} = 0$, or $\text{DAPmn} = 1$ and $\text{CKPmn} = 1$. The Slp setup time becomes "to $\overline{\text{SCKp}}\downarrow$ " when $\text{DAPmn} = 0$ and $\text{CKPmn} = 1$ or $\text{DAPmn} = 1$ and $\text{CKPmn} = 0$.
 2. When $\text{DAPmn} = 0$ and $\text{CKPmn} = 0$ or $\text{DAPmn} = 1$ and $\text{CKPmn} = 1$. The Slp hold time becomes "from $\overline{\text{SCKp}}\downarrow$ " when $\text{DAPmn} = 0$ and $\text{CKPmn} = 1$ or $\text{DAPmn} = 1$ and $\text{CKPmn} = 0$.
 3. C is the load capacitance of the $\overline{\text{SCKp}}$ and SOp output lines.
 4. $t_{\text{CY1}} \geq 4/f_{\text{CLK}}$ must also be satisfied.

Caution Select the normal input buffer for the Slp pin and normal output mode for the SOp pin and $\overline{\text{SCKp}}$ pin.

Remark p: CSIp (p = 00, 01, 10, 11, 20, 21), m: Unit m (m = 0 to 2), n: Channel n (n = 0, 1)

(3) During communication at same potential (CSI mode) (master mode, $\overline{\text{SCKp}}$... internal clock output, special slew rate)

($T_A = -40$ to $+125^\circ\text{C}$, $4.0\text{ V} \leq \text{EV}_{\text{DD0}} = \text{EV}_{\text{DD1}} = \text{V}_{\text{DD}} \leq 5.5\text{ V}$, $\text{V}_{\text{SS}} = \text{EV}_{\text{SS0}} = \text{EV}_{\text{SS1}} = 0\text{ V}$)

Parameter	Symbol	Conditions	MIN.	TYP.	MAX.	Unit
$\overline{\text{SCKp}}$ cycle time	t_{CY1}		500 ^{Note 4}			ns
$\overline{\text{SCKp}}$ high-level width, low-level width	t_{KH1} , t_{KL1}		$t_{\text{CY1}}/2 - 60$			ns
Slp setup time (to $\overline{\text{SCKp}}\uparrow$) ^{Note 1}	t_{SIK1}		120			ns
Slp hold time (from $\overline{\text{SCKp}}\uparrow$) ^{Note 2}	t_{SIH1}		80			ns
Delay time from $\overline{\text{SCKp}}\downarrow$ to SOp output	t_{KSO1}	$C = 30\text{ pF}$ ^{Note 3}			90	ns

- Notes**
1. When $\text{DAPmn} = 0$ and $\text{CKPmn} = 0$, or $\text{DAPmn} = 1$ and $\text{CKPmn} = 1$. The Slp setup time becomes "to $\overline{\text{SCKp}}\downarrow$ " when $\text{DAPmn} = 0$ and $\text{CKPmn} = 1$ or $\text{DAPmn} = 1$ and $\text{CKPmn} = 0$.
 2. When $\text{DAPmn} = 0$ and $\text{CKPmn} = 0$ or $\text{DAPmn} = 1$ and $\text{CKPmn} = 1$. The Slp hold time becomes "from $\overline{\text{SCKp}}\uparrow$ " when $\text{DAPmn} = 0$ and $\text{CKPmn} = 1$ or $\text{DAPmn} = 1$ and $\text{CKPmn} = 0$.
 3. C is the load capacitance of the $\overline{\text{SCKp}}$ and SOp output lines.
 4. $t_{\text{CY1}} \geq 4/f_{\text{CLK}}$ must also be satisfied.

Caution Select the normal input buffer for the Slp pin and normal output mode and special slew rate for the SOp pin and $\overline{\text{SCKp}}$ pin.

Remark p: CSIp (p = 00, 01, 10, 11), m: Unit m (m = 0, 1), n: Channel n (n = 0, 1)

(4) During communication at same potential (CSI mode) (slave mode, $\overline{\text{SCKp}}$... external clock input, normal slew rate)**($T_A = -40$ to $+125^\circ\text{C}$, $2.7\text{ V} \leq \text{EV}_{\text{DD0}} = \text{EV}_{\text{DD1}} = \text{V}_{\text{DD}} \leq 5.5\text{ V}$, $\text{V}_{\text{SS}} = \text{EV}_{\text{SS0}} = \text{EV}_{\text{SS1}} = 0\text{ V}$)**

Parameter	Symbol	Conditions		MIN.	TYP.	MAX.	Unit
$\overline{\text{SCKp}}$ cycle time ^{Note 4}	t_{KCY2}			$8/f_{\text{MCK}}$			ns
$\overline{\text{SCKp}}$ high-level width, low-level width	t_{KH2} , t_{KL2}			$t_{\text{KCY2}}/2$			ns
Slp setup time (to $\overline{\text{SCKp}}\uparrow$) ^{Note 1}	t_{SIK2}			$1/f_{\text{MCK}} + 20$			ns
Slp hold time (from $\overline{\text{SCKp}}\uparrow$) ^{Note 2}	t_{KSI2}			$1/f_{\text{MCK}} + 31$			ns
Delay time from $\overline{\text{SCKp}}\downarrow$ to SOp output	t_{KSO2}	$C = 30\text{ pF}$ ^{Note 3}	$4.0\text{V} \leq \text{V}_{\text{DD}} = \text{EV}_{\text{DD0}} = \text{EV}_{\text{DD1}} \leq 5.5\text{V}$			$2/f_{\text{MCK}} + 44$	ns
			$2.7\text{V} \leq \text{V}_{\text{DD}} = \text{EV}_{\text{DD0}} = \text{EV}_{\text{DD1}} < 4.0\text{V}$			$2/f_{\text{MCK}} + 57$	ns
$\overline{\text{SSIp}}$ setup time	t_{SSIK}	DAP = 0		120			ns
		DAP = 1		$1/f_{\text{MCK}} + 120$			ns
$\overline{\text{SSIp}}$ hold time	t_{KSSI}	DAP = 0		$1/f_{\text{MCK}} + 120$			ns
		DAP = 1		120			ns

- Notes**
- When $\text{DAP}_{\text{mn}} = 0$ and $\text{CKP}_{\text{mn}} = 0$, or $\text{DAP}_{\text{mn}} = 1$ and $\text{CKP}_{\text{mn}} = 1$. The Slp setup time becomes "to $\overline{\text{SCKp}}\downarrow$ " when $\text{DAP}_{\text{mn}} = 0$ and $\text{CKP}_{\text{mn}} = 1$ or $\text{DAP}_{\text{mn}} = 1$ and $\text{CKP}_{\text{mn}} = 0$.
 - When $\text{DAP}_{\text{mn}} = 0$ and $\text{CKP}_{\text{mn}} = 0$ or $\text{DAP}_{\text{mn}} = 1$ and $\text{CKP}_{\text{mn}} = 1$. The Slp hold time becomes "from $\overline{\text{SCKp}}\downarrow$ " when $\text{DAP}_{\text{mn}} = 0$ and $\text{CKP}_{\text{mn}} = 1$ or $\text{DAP}_{\text{mn}} = 1$ and $\text{CKP}_{\text{mn}} = 0$.
 - C is the load capacitance of the $\overline{\text{SCKp}}$ and SOp output lines.
 - The transfer rate is MAX. 1 Mbps in SNOOSE mode.

Caution Select the normal input buffer for the Slp, $\overline{\text{SCKp}}$ and $\overline{\text{SSIp}}$ pins and normal output mode for the SOp pin.

- Remarks**
- p : CSIp ($p = 00, 01, 10, 11, 20, 21$), $\overline{\text{SSIp}}$ ($p = 00, 01, 10, 11$), m : Unit m ($m = 0$ to 2), n : Channel n ($n = 0, 1$)
 - f_{MCK} : Serial array unit operation clock frequency

(5) During communication at same potential (CSI mode) (slave mode, $\overline{\text{SCKp}}$... external clock input, special slew rate)

($T_A = -40$ to $+125^\circ\text{C}$, $4.0\text{ V} \leq \text{EV}_{\text{DD}0} = \text{EV}_{\text{DD}1} = \text{V}_{\text{DD}} \leq 5.5\text{ V}$, $\text{V}_{\text{SS}} = \text{EV}_{\text{SS}0} = \text{EV}_{\text{SS}1} = 0\text{ V}$)

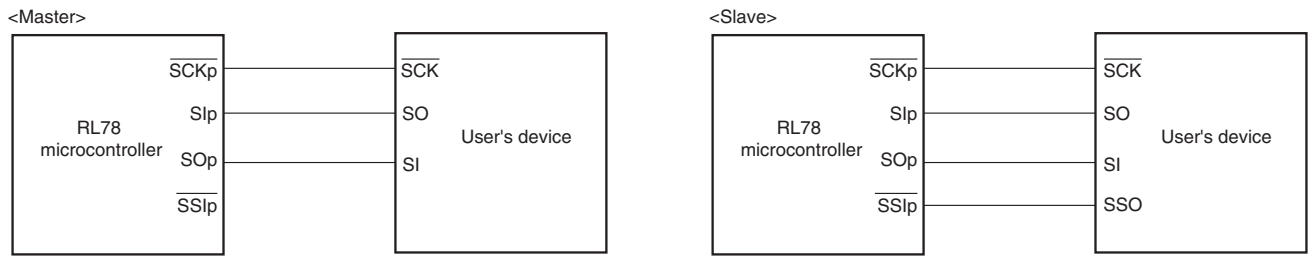
Parameter	Symbol	Conditions	MIN.	TYP.	MAX.	Unit
$\overline{\text{SCKp}}$ cycle time	$t_{\text{KCY}2}$	$20\text{ MHz} < f_{\text{MCK}}$	$10/f_{\text{MCK}}$			ns
		$10\text{ MHz} < f_{\text{MCK}} \leq 20\text{ MHz}$	$8/f_{\text{MCK}}$			ns
		$f_{\text{MCK}} \leq 10\text{ MHz}$	$6/f_{\text{MCK}}$			ns
$\overline{\text{SCKp}}$ high-level width, low-level width	$t_{\text{KH}2}$, $t_{\text{KL}2}$		$t_{\text{KCY}2}/2$			ns
Slp setup time (to $\overline{\text{SCKp}}\uparrow$) ^{Note 1}	$t_{\text{SIK}2}$		$1/f_{\text{MCK}} + 50$			ns
Slp hold time (from $\overline{\text{SCKp}}\uparrow$) ^{Note 2}	$t_{\text{KS}2}$		$1/f_{\text{MCK}} + 50$			ns
Delay time from $\overline{\text{SCKp}}\downarrow$ to SOp output	$t_{\text{KSO}2}$	$C = 30\text{ pF}$ ^{Note 3}			$2/f_{\text{MCK}} + 80$	ns
$\overline{\text{SSIp}}$ setup time	$t_{\text{SSI}K}$	DAP = 0	120			ns
		DAP = 1	$1/f_{\text{MCK}} + 120$			ns
$\overline{\text{SSIp}}$ hold time	t_{KSSI}	DAP = 0	$1/f_{\text{MCK}} + 120$			ns
		DAP = 1	120			ns

- Notes**
- When DAP_m = 0 and CKP_m = 0, or DAP_m = 1 and CKP_m = 1. The Slp setup time becomes "to $\overline{\text{SCKp}}\downarrow$ " when DAP_m = 0 and CKP_m = 1 or DAP_m = 1 and CKP_m = 0.
 - When DAP_m = 0 and CKP_m = 0 or DAP_m = 1 and CKP_m = 1. The Slp hold time becomes "from $\overline{\text{SCKp}}\downarrow$ " when DAP_m = 0 and CKP_m = 1 or DAP_m = 1 and CKP_m = 0.
 - C is the load capacitance of the $\overline{\text{SCKp}}$ and SOp output lines.

Caution Select the normal input buffer for the Slp, $\overline{\text{SCKp}}$ and $\overline{\text{SSIp}}$ pins and normal output mode and special slew rate for the SOp pin.

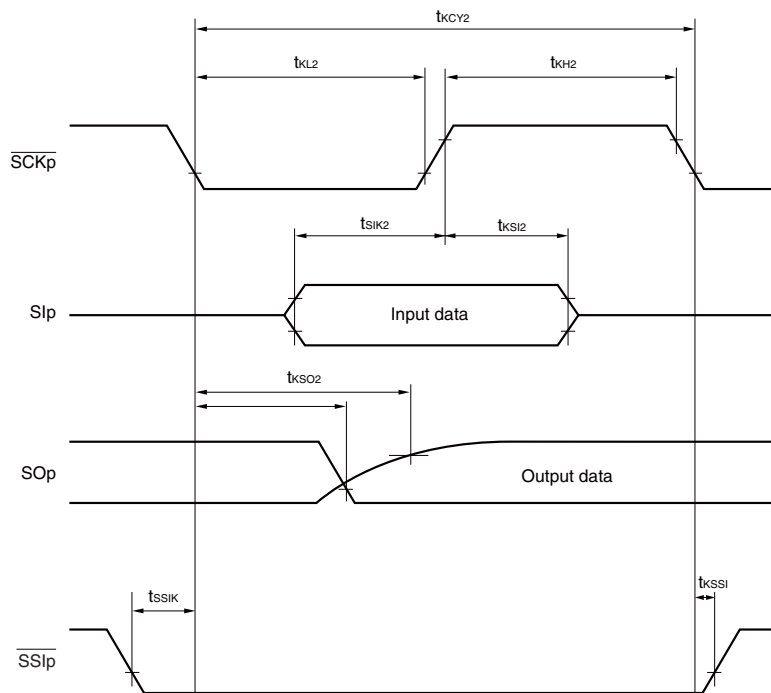
- Remarks**
- p: CSIp (p = 00, 01, 10, 11), m: Unit m (m = 0, 1), n: Channel n (n = 0, 1)
 - f_{MCK} : Serial array unit operation clock frequency

CSI mode connection diagram (during communication at same potential)



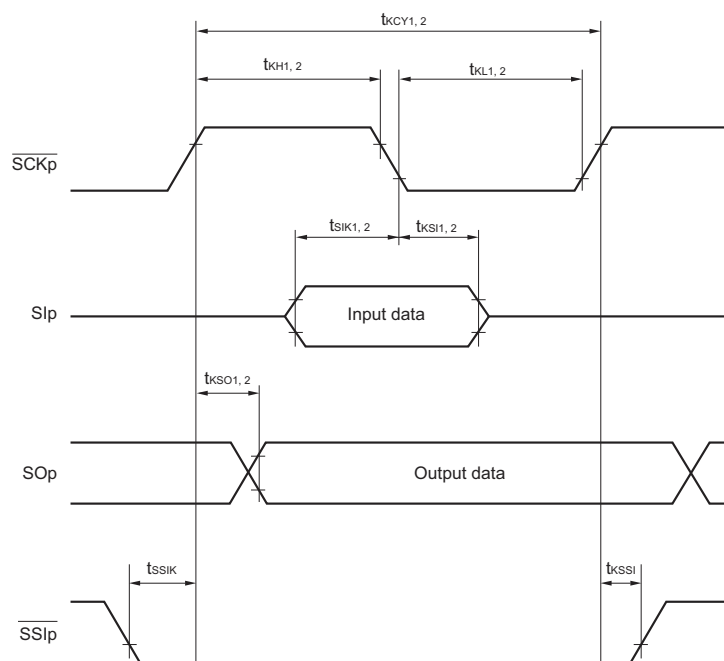
CSI mode serial transfer timing (during communication at same potential)

(When DAPmn = 0 and CKPmn = 0, or DAPmn = 1 and CKPmn = 1)



Remark p: CSIp (p = 00, 01, 10, 11, 20, 21), \overline{SSIp} (p = 00, 01, 10, 11), m: Unit m (m = 0 to 2), n: Channel n (n = 0, 1)

CSI mode serial transfer timing (during communication at same potential)
 (When DAPmn = 0 and CKPmn = 1, or DAPmn = 1 and CKPmn = 0)



Remark p: CSIp (p = 00, 01, 10, 11, 20, 21), $\overline{\text{SSIp}}$ (p = 00, 01, 10, 11), m: Unit m (m = 0 to 2), n: Channel n (n = 0, 1)

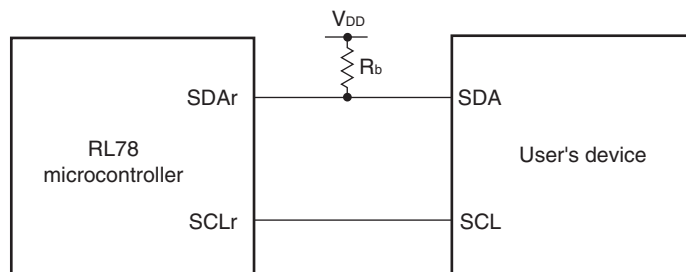
(6) During communication at same potential (simplified I²C mode)
(SDAr: N-ch open-drain output (EV_{DD0} tolerance) mode, SCLr: normal output mode)

(T_A = -40 to +125°C, 2.7 V ≤ EV_{DD0} = EV_{DD1} = V_{DD} ≤ 5.5 V, V_{SS} = EV_{SS0} = EV_{SS1} = 0 V)

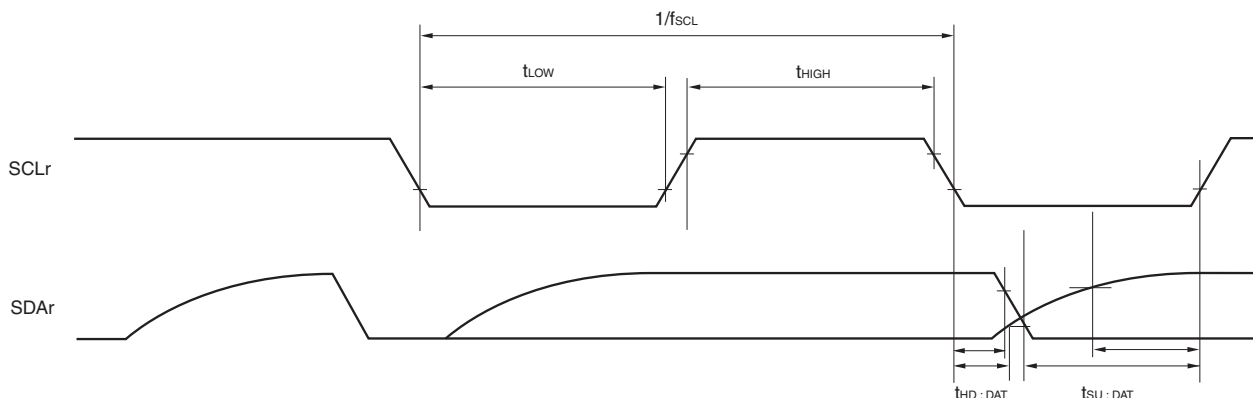
Parameter	Symbol	Conditions	MIN.	TYP.	MAX.	Unit
SCLr clock frequency	f _{SCL}				1000 ^{Note}	kHz
Hold time when SCLr = "L"	t _{LOW}		475			ns
Hold time when SCLr = "H"	t _{HIGH}		475			ns
Data setup time (reception)	t _{SU:DAT}		1/f _{MCK} + 85			ns
Data hold time (transmission)	t _{HD:DAT}	C _b = 50 pF, R _b = 2.7 kΩ	0		305	ns

Note f_{CLK} ≤ f_{MCK}/4 must also be satisfied.

Simplified I²C mode connection diagram (during communication at same potential)



Simplified I²C mode serial transfer timing (during communication at same potential)



Caution Select the normal input buffer and N-ch open-drain output mode for the SDAr pin and normal output mode for the SCLr pin.

- Remarks**
1. R_b [Ω]: Communication line (SDAr) pull-up resistance, C_b [F]: Communication line (SCLr, SDAr) load capacitance
 2. r: IICr (r = 00, 01, 10, 11)
 3. f_{MCK}: Serial array unit operation clock frequency

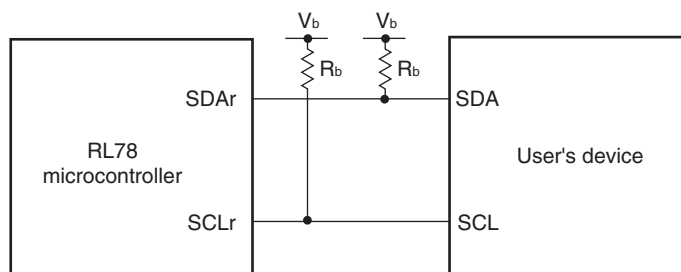
(7) During communication at same potential (simplified I²C mode) (SDAr and SCLr: N-ch open-drain output (EV_{DD0} tolerance) mode)

(T_A = -40 to +125°C, 2.7 V ≤ EV_{DD0} = EV_{DD1} = V_{DD} ≤ 5.5 V, V_{SS} = EV_{SS0} = EV_{SS1} = 0 V)

Parameter	Symbol	Conditions	MIN.	MAX.	Unit
SCLr clock frequency	f _{SCL}			400 ^{Note}	kHz
Hold time when SCLr = "L"	t _{LOW}	4.0 V ≤ V _{DD} ≤ 5.5 V, C _b = 100 pF, R _b = 1.7 kΩ	1300		ns
		2.7 V ≤ V _{DD} < 4.0 V, C _b = 100 pF, R _b = 2.7 kΩ			
Hold time when SCLr = "H"	t _{HIGH}	4.0 V ≤ V _{DD} ≤ 5.5 V, C _b = 100 pF, R _b = 1.7 kΩ	600		ns
		2.7 V ≤ V _{DD} < 4.0 V, C _b = 100 pF, R _b = 2.7 kΩ			
Data setup time (reception)	t _{SU:DAT}	4.0 V ≤ V _{DD} ≤ 5.5 V, C _b = 100 pF, R _b = 1.7 kΩ	1/f _{MCK} + 120		ns
		2.7 V ≤ V _{DD} < 4.0 V, C _b = 100 pF, R _b = 2.7 kΩ	1/f _{MCK} + 270		ns
Data hold time (transmission)	t _{HD:DAT}	4.0 V ≤ V _{DD} ≤ 5.5 V, C _b = 100 pF, R _b = 1.7 kΩ	0	300	ns
		2.7 V ≤ V _{DD} < 4.0 V, C _b = 100 pF, R _b = 2.7 kΩ			

Note f_{CLK} ≤ f_{MCK}/4 must also be satisfied.

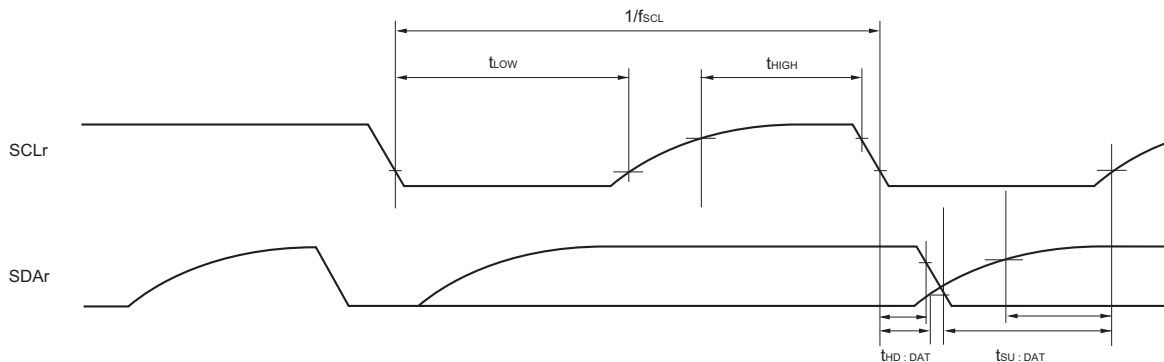
Simplified I²C mode connection diagram (during communication at same potential)



Caution Select the normal input buffer and N-ch open-drain output mode for the SDAr pin and SCLr pin.

- Remarks**
1. R_b [Ω]: Communication line (SDAr, SCLr) pull-up resistance, C_b [F]: Communication line (SDAr, SCLr) load capacitance, V_b[V]: Communication line voltage
 2. r: IICr (r = 00, 01, 10, 11)
 3. f_{MCK}: Serial array unit operation clock frequency

Simplified I²C mode serial transfer timing (during communication at same potential)



Remark r: IICr (r = 00, 01, 10, 11)

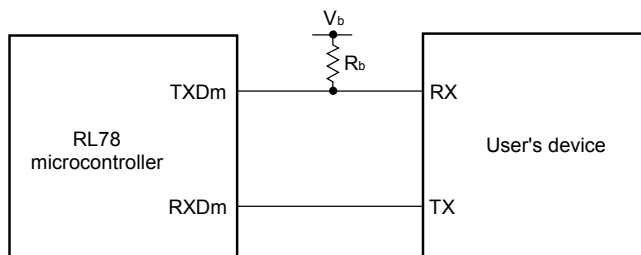
(8) Communication at different potential (UART mode) (TXD output buffer: N-ch open-drain, RXD input buffer: TTL)

($T_A = -40$ to $+125^\circ\text{C}$, $4.0\text{ V} \leq EV_{DD0} = EV_{DD1} = V_{DD} \leq 5.5\text{ V}$, $V_{SS} = EV_{SS0} = EV_{SS1} = 0\text{ V}$)

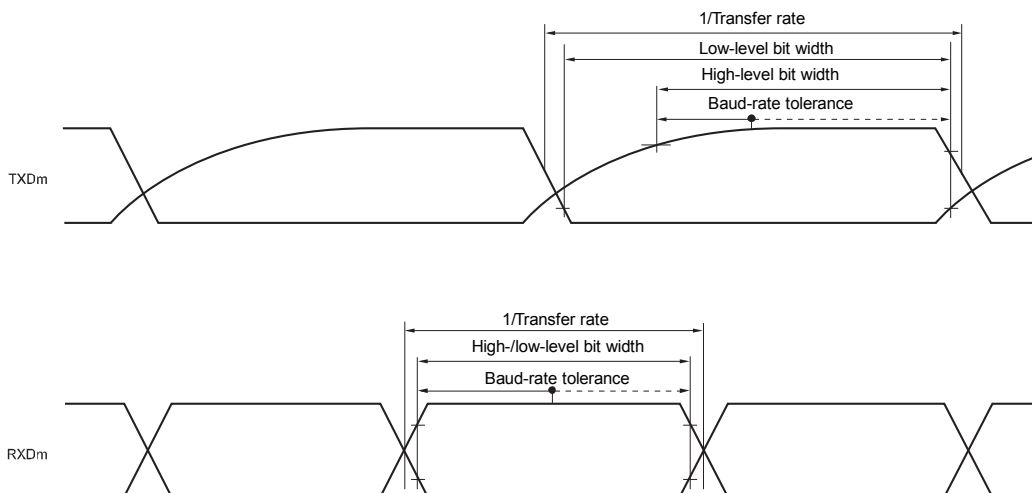
Parameter	Symbol	Conditions		MIN.	TYP.	MAX.	Unit
Transfer rate	-	Reception	$2.7\text{ V} \leq V_b \leq EV_{DD0}$, $V_{IH} = 2.2\text{ V}$, $V_{IL} = 0.8\text{ V}$			$f_{MCK}/6$	bps
						Theoretical value of the maximum transfer rate ^{Note} ($C_b = 30\text{ pF}$)	4.0
		Transmission	$2.7\text{ V} \leq V_b \leq EV_{DD0}$, $V_{OH} = 2.2\text{ V}$, $V_{OL} = 0.8\text{ V}$			Smaller number of the values given by $f_{MCK}/6$ and expression 1 is applicable.	bps
						Theoretical value of the maximum transfer rate ^{Note} ($C_b = 30\text{ pF}$) Normal slew rate	4.0

Note Expression 1: Maximum transfer rate = $1 / \{[-C_b \times R_b \times \ln(1 - 2.2/V_b)] \times 3\}$

UART mode connection diagram (during communication at different potential)



UART mode bit width (during communication at different potential) (reference)



Caution Select the TTL input buffer for the RXD0 pin and RXD1 pin and N-ch open-drain output mode for the TXD0 pin and TXD1 pin.

- Remarks**
1. R_b [Ω]: Communication line (TXD) pull-up resistance, C_b [F]: Communication line (TXD) load capacitance, V_b [V]: Communication line voltage
 2. f_{MCK} : Serial array unit operation clock frequency
 3. m : Unit m ($m = 0, 1$)

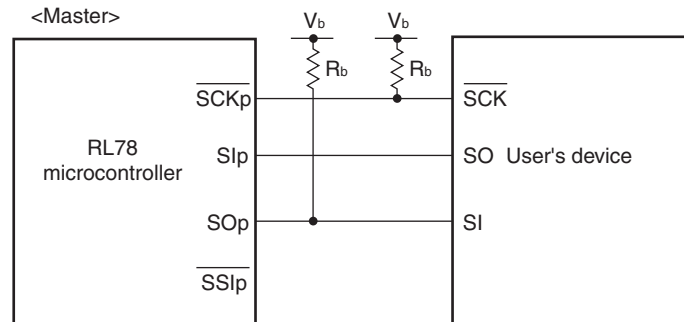
(9) During communication at different potential (3-V supply system) (CSI mode) (master mode, \overline{SCKp} ... internal clock output, normal slew rate)

($T_A = -40$ to $+125^\circ\text{C}$, $4.0\text{ V} \leq EV_{DD0} = EV_{DD1} = V_{DD} \leq 5.5\text{ V}$, $V_{SS} = EV_{SS0} = EV_{SS1} = 0\text{ V}$)

Parameter	Symbol	Conditions	MIN.	TYP.	MAX.	Unit
\overline{SCKp} cycle time	t_{KCY1}	$2.7\text{ V} \leq V_b \leq EV_{DD0}$, $C_b = 30\text{ pF}$, $R_b = 1.4\text{ k}\Omega$	400 ^{Note3}			ns
\overline{SCKp} high-level width	t_{KH1}	$2.7\text{ V} \leq V_b \leq EV_{DD0}$, $C_b = 30\text{ pF}$, $R_b = 1.4\text{ k}\Omega$	$t_{KCY1}/2 - 75$			ns
\overline{SCKp} low-level width	t_{KL1}	$2.7\text{ V} \leq V_b \leq EV_{DD0}$, $C_b = 30\text{ pF}$, $R_b = 1.4\text{ k}\Omega$	$t_{KCY1}/2 - 20$			ns
Slp setup time (to $\overline{SCKp}\uparrow$) ^{Note 1}	t_{SIK1}	$2.7\text{ V} \leq V_b \leq EV_{DD0}$, $C_b = 30\text{ pF}$, $R_b = 1.4\text{ k}\Omega$	150			ns
Slp setup time (to $\overline{SCKp}\downarrow$) ^{Note 2}	t_{SIK1}	$2.7\text{ V} \leq V_b \leq EV_{DD0}$, $C_b = 30\text{ pF}$, $R_b = 1.4\text{ k}\Omega$	70			ns
Slp hold time (from $\overline{SCKp}\uparrow$) ^{Note 1}	t_{SIH1}	$2.7\text{ V} \leq V_b \leq EV_{DD0}$, $C_b = 30\text{ pF}$, $R_b = 1.4\text{ k}\Omega$	30			ns
Slp hold time (from $\overline{SCKp}\downarrow$) ^{Note 2}	t_{SIH1}	$2.7\text{ V} \leq V_b \leq EV_{DD0}$, $C_b = 30\text{ pF}$, $R_b = 1.4\text{ k}\Omega$	30			ns
Delay time from $\overline{SCKp}\downarrow$ to SOp output ^{Note1}	t_{KSO1}	$2.7\text{ V} \leq V_b \leq EV_{DD0}$, $C_b = 30\text{ pF}$, $R_b = 1.4\text{ k}\Omega$			120	ns
Delay time from $\overline{SCKp}\uparrow$ to SOp output ^{Note2}	t_{KSO1}	$2.7\text{ V} \leq V_b \leq EV_{DD0}$, $C_b = 30\text{ pF}$, $R_b = 1.4\text{ k}\Omega$			40	ns

- Notes**
1. When $DAPmn = 0$ and $CKPmn = 0$, or $DAPmn = 1$ and $CKPmn = 1$.
 2. When $DAPmn = 0$ and $CKPmn = 1$, or $DAPmn = 1$ and $CKPmn = 0$.
 3. $t_{KCY1} \geq 4/f_{CLK}$ must also be satisfied.

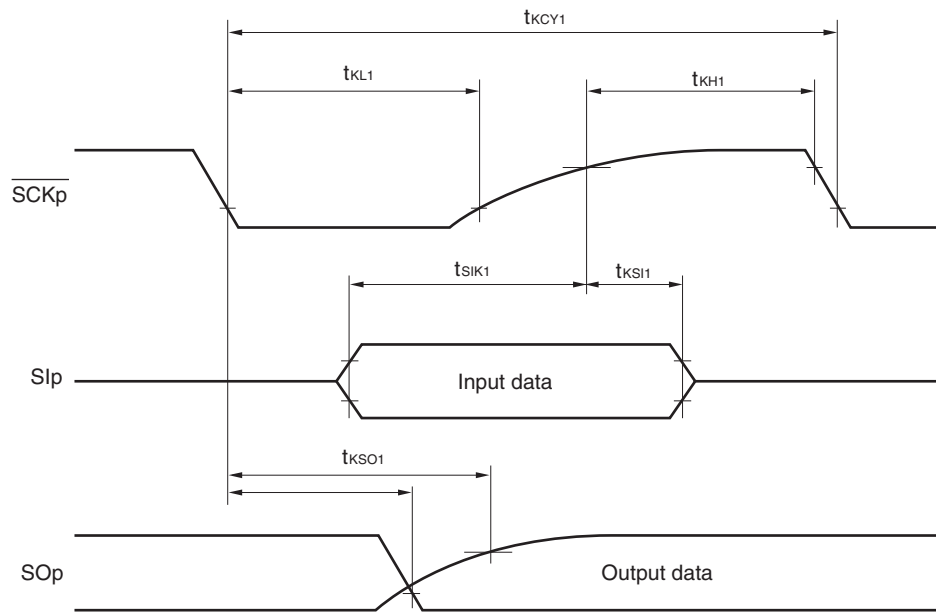
CSI mode connection diagram (during communication at different potential)



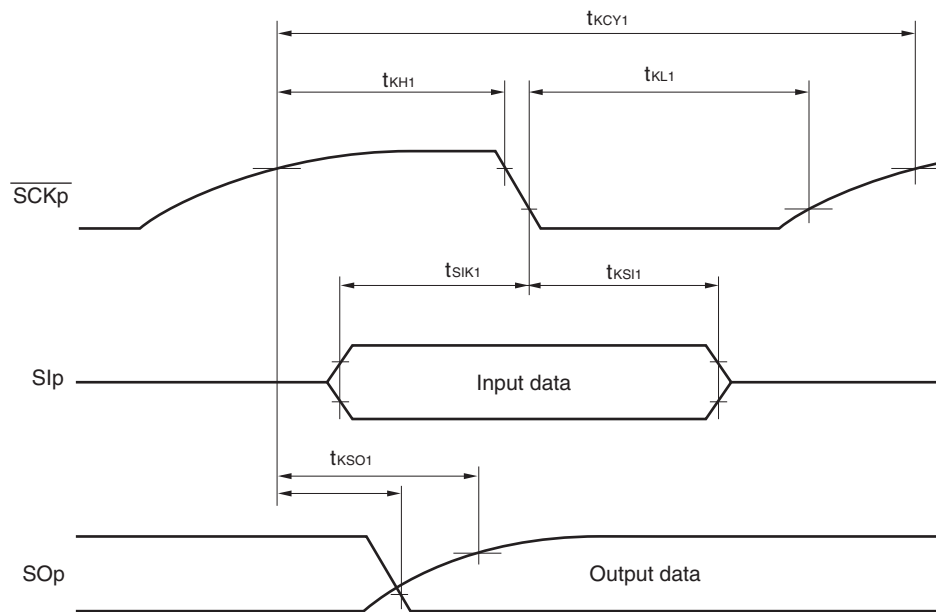
Caution Select the TTL input buffer for the Slp pin and N-ch open-drain output mode for the SOp pin and $\overline{\text{SCKp}}$ pin.

- Remarks**
1. R_b [Ω]: Communication line ($\overline{\text{SCKp}}$, SOp) pull-up resistance, C_b [F]: Communication line (SOp, $\overline{\text{SCKp}}$) load capacitance, V_b [V]: Communication line voltage
 2. p: CSIp (p = 00, 01, 10, 11), m: Unit m (m = 0, 1), n: Channel n (n = 0, 1)
 3. AC characteristics of the serial array unit during communication at different potential in CSI mode are measured with the V_{IH} and V_{IL} below:
When $4.0\text{ V} \leq E_{VDD0} \leq 5.5\text{ V}$, $2.7\text{ V} \leq V_b \leq 4.0\text{ V}$: $V_{IH} = 2.2\text{ V}$, $V_{IL} = 0.8\text{ V}$

CSI mode serial transfer timing (master mode) (during communication at different potential)
 (When DAPmn = 0 and CKPmn = 0, or DAPmn = 1 and CKPmn = 1)



CSI mode serial transfer timing (master mode) (during communication at different potential)
 (When DAPmn = 0 and CKPmn = 1, or DAPmn = 1 and CKPmn = 0)



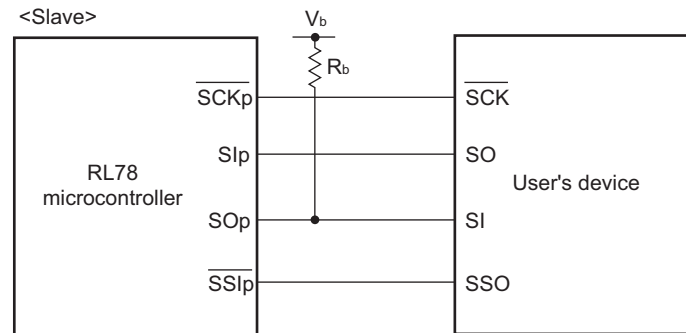
(10) During communication at different potential (3-V supply system) (CSI mode) (slave mode, $\overline{\text{SCKp}}$... external clock input, normal slew rate)

($T_A = -40$ to $+125^\circ\text{C}$, $4.0\text{ V} \leq \text{EV}_{\text{DD}0} = \text{EV}_{\text{DD}1} = \text{V}_{\text{DD}} \leq 5.5\text{ V}$, $\text{V}_{\text{SS}} = \text{EV}_{\text{SS}0} = \text{EV}_{\text{SS}1} = 0\text{ V}$)

Parameter	Symbol	Conditions	MIN.	TYP.	MAX.	Unit	
$\overline{\text{SCKp}}$ cycle time ^{Note 3}	$t_{\text{CY}2}$	$2.7\text{ V} \leq \text{V}_b \leq \text{V}_{\text{DD}}$	$20\text{ MHz} < f_{\text{MCK}} \leq 24\text{ MHz}$	$12/f_{\text{MCK}}$			ns
			$8\text{ MHz} < f_{\text{MCK}} \leq 20\text{ MHz}$	$10/f_{\text{MCK}}$			ns
			$4\text{ MHz} < f_{\text{MCK}} \leq 8\text{ MHz}$	$8/f_{\text{MCK}}$			ns
			$f_{\text{MCK}} \leq 4\text{ MHz}$	$6/f_{\text{MCK}}$			ns
$\overline{\text{SCKp}}$ high-level width, low-level width	$t_{\text{KH}2}$, $t_{\text{KL}2}$	$2.7\text{ V} \leq \text{V}_b \leq \text{V}_{\text{DD}}$	$t_{\text{CY}2}/2 - 20$				ns
	Slp setup time (to $\overline{\text{SCKp}}\uparrow$) ^{Note 1}		$t_{\text{SIK}2}$	90			ns
Slp hold time (from $\overline{\text{SCKp}}\uparrow$) ^{Note 2}	$t_{\text{SI}2}$		$1/f_{\text{MCK}} + 50$			ns	
Delay time from $\overline{\text{SCKp}}\downarrow$ to SOp output	$t_{\text{KSO}2}$	$2.7\text{ V} \leq \text{V}_b \leq \text{V}_{\text{DD}}$, $C_b = 30\text{ pF}$, $R_b = 1.4\text{ k}\Omega$			$2/f_{\text{MCK}} + 120$	ns	
SSIp setup time	$t_{\text{SSI}K}$	DAP = 0	120			ns	
		DAP = 1	$1/f_{\text{MCK}} + 120$			ns	
SSIp hold time	t_{SSI}	DAP = 0	$1/f_{\text{MCK}} + 120$			ns	
		DAP = 1	120			ns	

- Notes**
1. When DAPmn = 0 and CKPmn = 0, or DAPmn = 1 and CKPmn = 1. The Slp setup time becomes "to $\overline{\text{SCKp}}\downarrow$ " when DAPmn = 0 and CKPmn = 1 or DAPmn = 1 and CKPmn = 0.
 2. When DAPmn = 0 and CKPmn = 0 or DAPmn = 1 and CKPmn = 1. The Slp hold time becomes "from $\overline{\text{SCKp}}\downarrow$ " when DAPmn = 0 and CKPmn = 1 or DAPmn = 1 and CKPmn = 0.
 3. The transfer rate is MAX. 1 Mbps in SNOOSE mode.

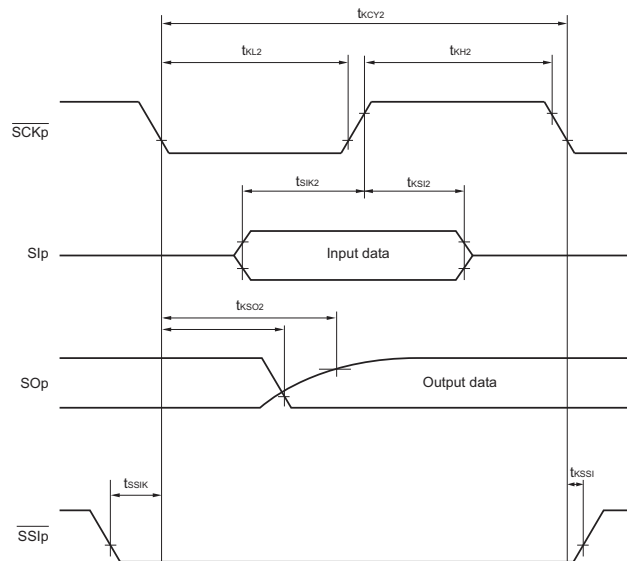
CSI mode connection diagram (during communication at different potential)



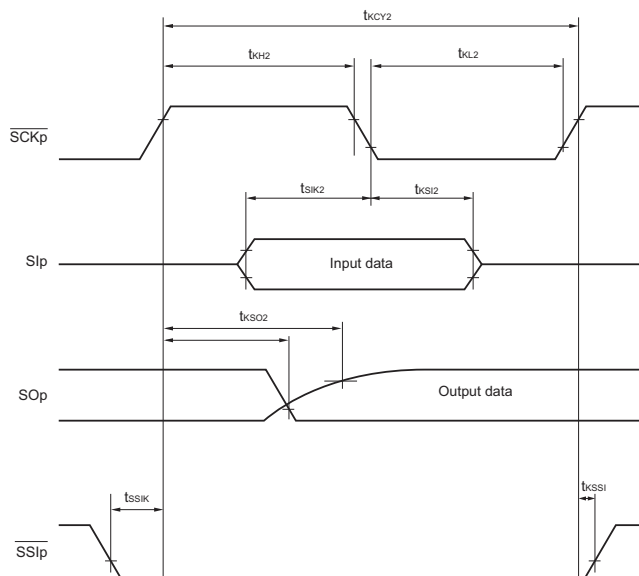
Caution Select the TTL input buffer for the Slp, SCKp and SSlp pins and N-ch open-drain output mode for the SOp pin.

- Remarks**
1. R_b [Ω]: Communication line (SO_p) pull-up resistance, C_b [F]: Communication line (SO_p) load capacitance, V_b [V]: Communication line voltage
 2. p: CSIp (p = 00, 01, 10, 11), m: Unit m (m = 0, 1), n: Channel n (n = 0, 1)
 3. AC characteristics of the serial array unit during communication at different potential in CSI mode are measured with the V_{IH} and V_{IL} below:
When 4.0 V ≤ EV_{DD0} ≤ 5.5 V, 2.7 V ≤ V_b ≤ 4.0 V: V_{IH} = 2.2 V, V_{IL} = 0.8 V

CSI mode serial transfer timing (slave mode) (during communication at different potential)
 (When DAPmn = 0 and CKPmn = 0, or DAPmn = 1 and CKPmn = 1)



CSI mode serial transfer timing (slave mode) (during communication at different potential)
 (When DAPmn = 0 and CKPmn = 1, or DAPmn = 1 and CKPmn = 0)



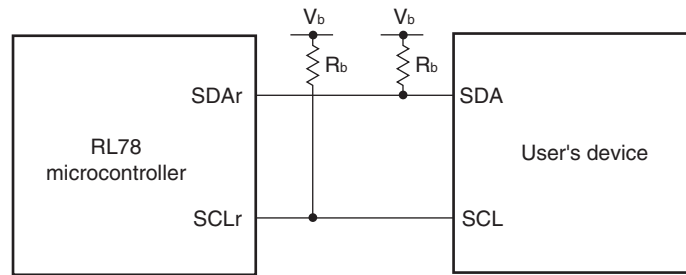
- (11) During communication at different potential (3-V supply system) (simplified I²C mode)
 (SDAr: TTL input buffer mode or N-ch open-drain output (EV_{DD0} tolerance) mode, SCLr: N-ch open-drain output (EV_{DD0} tolerance) mode)

(T_A = -40 to +125°C, 4.0 V ≤ EV_{DD0} = EV_{DD1} = V_{DD} ≤ 5.5 V, V_{SS} = EV_{SS0} = EV_{SS1} = 0 V)

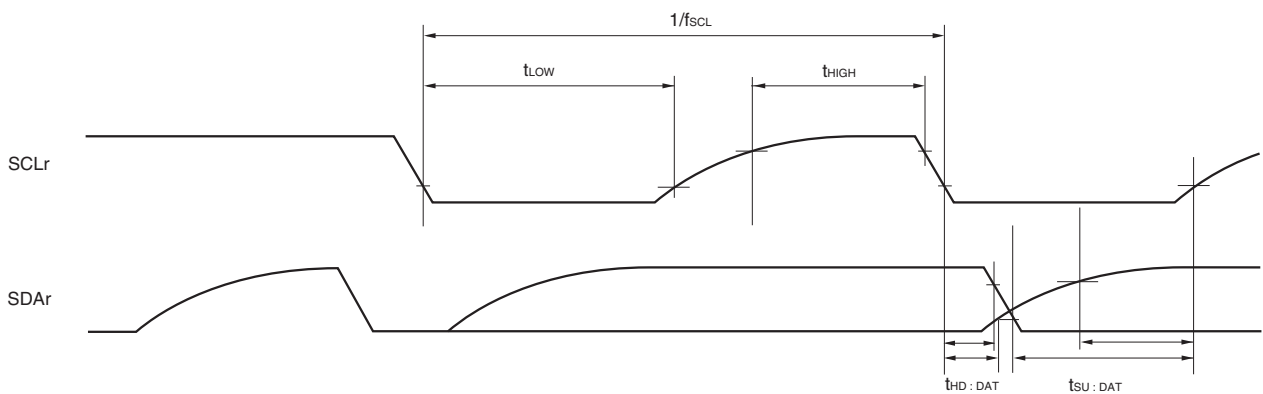
Parameter	Symbol	Conditions	MIN.	MAX.	Unit
SCLr clock frequency	f _{SCL}	2.7 V ≤ V _b ≤ 4.0 V, C _b = 100 pF, R _b = 1.4 kΩ		400 ^{Note}	kHz
Hold time when SCLr = "L"	t _{LOW}	2.7 V ≤ V _b ≤ 4.0 V, C _b = 100 pF, R _b = 1.4 kΩ	1200		ns
Hold time when SCLr = "H"	t _{HIGH}	2.7 V ≤ V _b ≤ 4.0 V, C _b = 100 pF, R _b = 1.4 kΩ	600		ns
Data setup time (reception)	t _{SU:DAT}	2.7 V ≤ V _b ≤ 4.0 V, C _b = 100 pF, R _b = 1.4 kΩ	135 + 1/f _{MCK}		ns
Data hold time (transmission)	t _{HD:DAT}	2.7 V ≤ V _b ≤ 4.0 V, C _b = 100 pF, R _b = 1.4 kΩ	0	140	ns

Note f_{SCL} ≤ f_{MCK}/4 must also be satisfied.

Simplified I²C mode connection diagram (during communication at different potential)



Simplified I²C mode serial transfer timing (during communication at different potential)



Caution Select the TTL input buffer and the N-ch open-drain output mode for the SDAr pin and N-ch open-drain output mode for the SCLr pin.

- Remarks**
1. R_b [Ω]: Communication line (SDAr, SCLr) pull-up resistance, C_b [F]: Communication line (SDAr, SCLr) load capacitance, V_b [V]: Communication line voltage
 2. r : IICr ($r = 00, 01, 10, 11$)
 3. f_{MCK} : Serial array unit operation clock frequency

36.5.2 Serial Interface IICA

($T_A = -40$ to $+125^\circ\text{C}$, $2.7\text{ V} \leq EV_{DD0} = EV_{DD1} = V_{DD} \leq 5.5\text{ V}$, $V_{SS} = EV_{SS0} = EV_{SS1} = 0\text{ V}$)

Parameter	Symbol	Conditions	Normal Mode		Fast Mode		Fast Mode Plus		Unit
			MIN.	MAX.	MIN.	MAX.	MIN.	MAX.	
SCLA0 clock frequency	f _{SCL}	Fast mode plus: $10\text{ MHz} \leq f_{\text{CLK}}$					0	1000	kHz
		Fast mode: $3.5\text{ MHz} \leq f_{\text{CLK}}$			0	400			kHz
		Normal mode: $1\text{ MHz} \leq f_{\text{CLK}}$	0	100					kHz
Setup time of restart condition ^{Note 1}	t _{SU:STA}		4.7		0.6		0.26		μs
Hold time	t _{HD:STA}		4.0		0.6		0.26		μs
Hold time when SCLA0 = "L"	t _{LOW}		4.7		1.3		0.5		μs
Hold time when SCLA0 = "H"	t _{HIGH}		4.0		0.6		0.26		μs
Data setup time (reception)	t _{SU:DAT}		250		100		50		ns
Data hold time (transmission) ^{Note 2}	t _{HD:DAT}		0	3.45	0	0.9	0		μs
Setup time of stop condition	t _{SU:STO}		4.0		0.6		0.26		μs
Bus-free time	t _{BUF}		4.7		1.3		0.5		μs

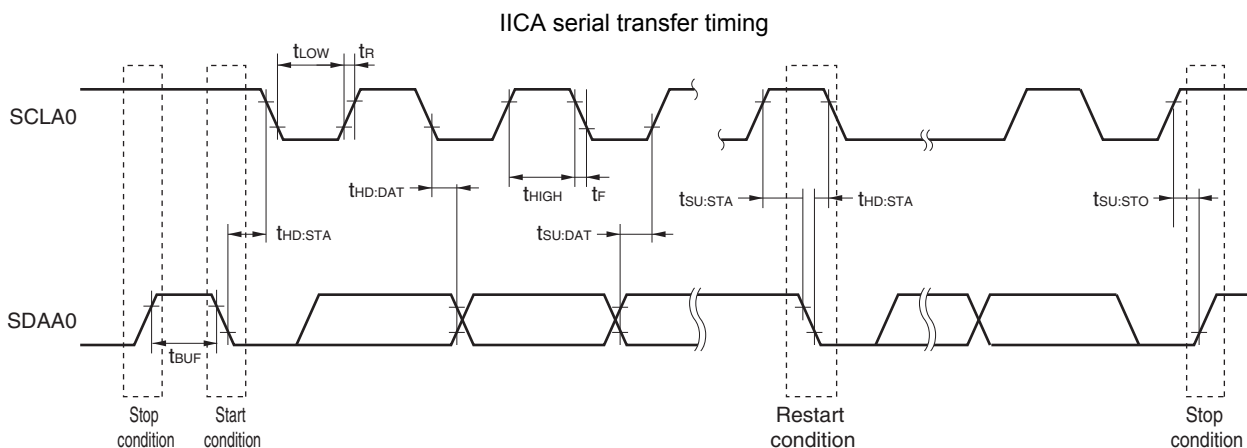
- Notes 1.** The first clock pulse is generated after this period when the start/restart condition is detected.
2. The maximum value (MAX.) of t_{HD:DAT} is during normal transfer and a wait state is inserted in the $\overline{\text{ACK}}$ (acknowledge) timing.

Remark The maximum value of C_b (communication line capacitance) and the value of R_b (communication line pull-up resistor) at that time in each mode are as follows.

Standard mode: C_b = 400 pF, R_b = 2.7 kΩ

Fast mode: C_b = 320 pF, R_b = 1.1 kΩ

Fast mode plus: C_b = 120 pF, R_b = 1.1 kΩ



36.5.3 On-chip Debug (UART)**(T_A = -40 to +125°C, 2.7 V ≤ EV_{DD0} = EV_{DD1} = V_{DD} ≤ 5.5 V, V_{SS} = EV_{SS0} = EV_{SS1} = 0 V)**

Parameter	Symbol	Conditions	MIN.	TYP.	MAX.	Unit
Transfer rate	-		115.2 k		1 M	bps

36.5.4 LIN/UART Module (RLIN3) UART Mode**(T_A = -40 to +125°C, 2.7 V ≤ EV_{DD0} = EV_{DD1} = V_{DD} ≤ 5.5 V, V_{SS} = EV_{SS0} = EV_{SS1} = 0 V)**

Parameter	Symbol	Conditions		MIN.	TYP.	MAX.	Unit
Transfer rate	-	Operation mode, HALT mode	LIN communication clock source (f _{CLK} or f _{MX}): 4 to 24 MHz			4000	kbps
		SNOOZE mode	LIN communication clock source (f _{CLK}): 1 to 24 MHz FRQSEL4 = 0 in the user option byte (000C2H/020C2H)			4.8	
			LIN communication clock source (f _{CLK}): 1 to 24 MHz FRQSEL4 = 1 in the user option byte (000C2H/020C2H)			2.4	

36.6 Analog Characteristics

36.6.1 A/D Converter Characteristics

(1) When $AV_{REF}(+) = AV_{REFP}/ANI0$ ($ADREFP1 = 0$, $ADREFP0 = 1$), $AV_{REF}(-) = AV_{REFM}/ANI1$ ($ADREFM = 1$), target ANI pin: ANI2 to ANI23 (power supply: V_{DD})

($T_A = -40$ to $+125^\circ\text{C}$, $2.7\text{ V} \leq EV_{DD0} = EV_{DD1} = V_{DD} \leq 5.5\text{ V}$, $V_{SS} = EV_{SS0} = EV_{SS1} = 0\text{ V}$, Reference voltage (+) = AV_{REFP} , Reference voltage (-) = $AV_{REFM} = 0\text{ V}$)

Parameter	Symbol	Conditions	MIN.	TYP.	MAX.	Unit
Resolution	RES		8		10	bit
Overall error ^{Note 1}	AINL	10-bit resolution $AV_{REFP} = V_{DD}$	$4.0\text{ V} \leq V_{DD} \leq 5.5\text{ V}$	1.2	± 3.0	LSB
			$2.7\text{ V} \leq V_{DD} < 4.0\text{ V}$	1.2	± 3.5	LSB
Conversion time	t_{CONV}	10-bit resolution $AV_{REFP} = V_{DD}$	$4.0\text{ V} \leq V_{DD} \leq 5.5\text{ V}$	2.125	39	μs
			$2.7\text{ V} \leq V_{DD} < 4.0\text{ V}$	3.1875	39	μs
Zero-scale error ^{Notes 1, 2}	EZS	10-bit resolution $AV_{REFP} = V_{DD}$	$2.7\text{ V} \leq V_{DD} \leq 5.5\text{ V}$		± 0.25	%FSR
Full-scale error ^{Notes 1, 2}	EFS	10-bit resolution $AV_{REFP} = V_{DD}$	$2.7\text{ V} \leq V_{DD} \leq 5.5\text{ V}$		± 0.25	%FSR
Integral linearity error ^{Note 1}	ILE	10-bit resolution $AV_{REFP} = V_{DD}$	$2.7\text{ V} \leq V_{DD} \leq 5.5\text{ V}$		± 2.5	LSB
Differential linearity error ^{Note 1}	DLE	10-bit resolution $AV_{REFP} = V_{DD}$	$2.7\text{ V} \leq V_{DD} \leq 5.5\text{ V}$		± 1.5	LSB
Reference voltage (+)	AV_{REFP}		2.7		V_{DD}	V
Analog input voltage	V_{AIN}		0		AV_{REFP}	V
Internal reference voltage (+)	V_{BGR}	$2.7\text{ V} \leq V_{DD} \leq 5.5\text{ V}$	1.38	1.45	1.5	V

Notes 1. Excludes quantization error ($\pm 1/2$ LSB).

2. This value is indicated as a ratio (%FSR) to the full-scale value.

(2) When $AV_{REF}(+) = AV_{REFP}/ANI0$ ($ADREFP1 = 0, ADREFP0 = 1$), $AV_{REF}(-) = AV_{REFM}/ANI1$ ($ADREFM = 1$), target ANI pin: ANI24 to ANI30 (power supply: EV_{DD0})

($T_A = -40$ to $+125^\circ\text{C}$, $2.7\text{ V} \leq EV_{DD0} = EV_{DD1} = V_{DD} \leq 5.5\text{ V}$, $V_{SS} = EV_{SS0} = EV_{SS1} = 0\text{ V}$, Reference voltage (+) = AV_{REFP} , Reference voltage (-) = $AV_{REFM} = 0\text{ V}$)

Parameter	Symbol	Conditions		MIN.	TYP.	MAX.	Unit
Resolution	RES			8		10	bit
Overall error ^{Note 1}	AINL	10-bit resolution $AV_{REFP} = V_{DD}$	$4.0\text{ V} \leq V_{DD} \leq 5.5\text{ V}$		1.2	± 4.5	LSB
			$2.7\text{ V} \leq V_{DD} < 4.0\text{ V}$		1.2	± 5.0	LSB
Conversion time	t_{CONV}	10-bit resolution $AV_{REFP} = V_{DD}$	$4.0\text{ V} \leq V_{DD} \leq 5.5\text{ V}$	2.125		39	μs
			$2.7\text{ V} \leq V_{DD} < 4.0\text{ V}$	3.1875		39	μs
Zero-scale error ^{Notes 1, 2}	EZS	10-bit resolution $AV_{REFP} = V_{DD}$	$2.7\text{ V} \leq V_{DD} \leq 5.5\text{ V}$			± 0.35	%FSR
Full-scale error ^{Notes 1, 2}	EFS	10-bit resolution $AV_{REFP} = V_{DD}$	$2.7\text{ V} \leq V_{DD} \leq 5.5\text{ V}$			± 0.35	%FSR
Integral linearity error ^{Note 1}	ILE	10-bit resolution $AV_{REFP} = V_{DD}$	$2.7\text{ V} \leq V_{DD} \leq 5.5\text{ V}$			± 3.5	LSB
Differential linearity error ^{Note 1}	DLE	10-bit resolution $AV_{REFP} = V_{DD}$	$2.7\text{ V} \leq V_{DD} \leq 5.5\text{ V}$			± 2.0	LSB
Reference voltage (+)	AV_{REFP}			2.7		V_{DD}	V
Analog input voltage	V_{AIN}			0		AV_{REFP} and EV_{DD0}	V
Internal reference voltage (+)	V_{BGR}	$2.7\text{ V} \leq V_{DD} \leq 5.5\text{ V}$		1.38	1.45	1.5	V

Notes 1. Excludes quantization error ($\pm 1/2$ LSB).

2. This value is indicated as a ratio (%FSR) to the full-scale value.

(3) When $AV_{REF}(+) = V_{DD}$ ($ADREFP1 = 0$, $ADREFP0 = 0$), $AV_{REF}(-) = V_{SS}$ ($ADREFM = 0$), target ANI pin: ANI0 to ANI23, ANI24 to ANI30

($T_A = -40$ to $+125^\circ\text{C}$, $2.7\text{ V} \leq EV_{DD0} = EV_{DD1} = V_{DD} \leq 5.5\text{ V}$, $V_{SS} = EV_{SS0} = EV_{SS1} = 0\text{ V}$, Reference voltage (+) = V_{DD} ,

Reference voltage (-) = V_{SS})

Parameter	Symbol	Conditions		MIN.	TYP.	MAX.	Unit
Resolution	RES			8		10	bit
Overall error ^{Note 1}	AINL	10-bit resolution ANI0 to ANI23	$4.0\text{ V} \leq V_{DD} \leq 5.5\text{ V}$		1.2	± 5.0	LSB
			$2.7\text{ V} \leq V_{DD} < 4.0\text{ V}$		1.2	± 5.5	LSB
		10-bit resolution ANI24 to ANI30	$4.0\text{ V} \leq V_{DD} \leq 5.5\text{ V}$		1.2	± 6.5	LSB
			$2.7\text{ V} \leq V_{DD} < 4.0\text{ V}$		1.2	± 7.0	LSB
Conversion time	t_{CONV}	10-bit resolution	$4.0\text{ V} \leq V_{DD} \leq 5.5\text{ V}$	2.125		39	μs
			$2.7\text{ V} \leq V_{DD} < 4.0\text{ V}$	3.1875		39	μs
Zero-scale error ^{Notes 1, 2}	EVS	10-bit resolution ANI0 to ANI23	$2.7\text{ V} \leq V_{DD} \leq 5.5\text{ V}$			± 0.50	%FSR
		10-bit resolution ANI24 to ANI30	$2.7\text{ V} \leq V_{DD} \leq 5.5\text{ V}$			± 0.60	%FSR
Full-scale error ^{Notes 1, 2}	EFS	10-bit resolution ANI0 to ANI23	$2.7\text{ V} \leq V_{DD} \leq 5.5\text{ V}$			± 0.50	%FSR
		10-bit resolution ANI24 to ANI30	$2.7\text{ V} \leq V_{DD} \leq 5.5\text{ V}$			± 0.60	%FSR
Integral linearity error ^{Note 1}	ILE	10-bit resolution ANI0 to ANI23	$2.7\text{ V} \leq V_{DD} \leq 5.5\text{ V}$			± 3.5	LSB
		10-bit resolution ANI24 to ANI30	$2.7\text{ V} \leq V_{DD} \leq 5.5\text{ V}$			± 4.0	LSB
Differential linearity error ^{Note 1}	DLE	10-bit resolution	$2.7\text{ V} \leq V_{DD} \leq 5.5\text{ V}$			± 2.0	LSB
Analog input voltage	V_{AIN}	ANI0 to ANI23 ^{Note 3}		0		V_{DD}	V
		ANI24 to ANI30 ^{Note 3}		EV_{SS}		EV_{DD0}	V
Internal reference voltage (+)	V_{BGR}	$2.7\text{ V} \leq V_{DD} \leq 5.5\text{ V}$		1.38	1.45	1.5	V

Notes 1. Excludes quantization error ($\pm 1/2$ LSB).

2. This value is indicated as a ratio (%FSR) to the full-scale value.

3. The number of pins depends on the product. For details, refer to **2.1 Pin Function List**.

(4) When $AV_{REF}(+) =$ internal reference voltage ($ADREFP1 = 1, ADREFP0 = 0$), $AV_{REF}(-) = AV_{REFM}/ANI1$ ($ADREFM = 1$), target ANI pin: ANI0 to ANI23, ANI24 to ANI30

($T_A = -40$ to $+125^\circ\text{C}$, $2.7\text{ V} \leq EV_{DD0} = EV_{DD1} = V_{DD} \leq 5.5\text{ V}$, $V_{SS} = EV_{SS0} = EV_{SS1} = 0\text{ V}$, Reference voltage (+) = V_{BGR} , Reference voltage (-) = $AV_{REFM} = 0\text{ V}$)

Parameter	Symbol	Conditions		MIN.	TYP.	MAX.	Unit
Resolution	RES			8			bit
Conversion time	t_{CONV}	8-bit resolution	$2.7\text{ V} \leq V_{DD} \leq 5.5\text{ V}$	17		39	μs
Zero-scale error ^{Notes 1, 2}	EZS	8-bit resolution	$2.7\text{ V} \leq V_{DD} \leq 5.5\text{ V}$			± 0.60	%FSR
Integral linearity error ^{Note 1}	ILE	8-bit resolution	$2.7\text{ V} \leq V_{DD} \leq 5.5\text{ V}$			± 2.0	LSB
Differential linearity error ^{Note 1}	DLE	8-bit resolution	$2.7\text{ V} \leq V_{DD} \leq 5.5\text{ V}$			± 1.0	LSB
Reference voltage (+)	V_{BGR}			1.38	1.45	1.5	V
Analog input voltage	V_{AIN}			0		V_{BGR}	V

Notes 1. Excludes quantization error ($\pm 1/2$ LSB).

2. This value is indicated as a ratio (%FSR) to the full-scale value.

36.6.2 Temperatures Sensor Characteristics

($T_A = -40$ to $+125^\circ\text{C}$, $2.7\text{ V} \leq \text{EV}_{\text{DD}0} = \text{EV}_{\text{DD}1} = \text{V}_{\text{DD}} \leq 5.5\text{ V}$, $\text{V}_{\text{SS}} = \text{EV}_{\text{SS}0} = \text{EV}_{\text{SS}1} = 0\text{ V}$)

Parameter	Symbol	Conditions	MIN.	TYP.	MAX.	Unit
Temperature sensor output voltage	$V_{\text{TMP}S25}$	Setting ADS register = 80H, $T_A = +25^\circ\text{C}$		1.1		V
Reference output voltage	V_{CONST}	Setting ADS register = 81H	1.38	1.45	1.5	V
Temperature coefficient	$F_{\text{VTMP}S}$	Temperature sensor that depends on the temperature		-3.3		mV/ $^\circ\text{C}$
Operation stabilization wait time	t_{AMP}		5			μs

36.6.3 D/A Converter Characteristics

($T_A = -40$ to $+125^\circ\text{C}$, $2.7\text{ V} \leq \text{EV}_{\text{DD}0} = \text{EV}_{\text{DD}1} = \text{V}_{\text{DD}} \leq 5.5\text{ V}$, $\text{V}_{\text{SS}} = \text{EV}_{\text{SS}0} = \text{EV}_{\text{SS}1} = 0\text{ V}$)

Parameter	Symbol	Conditions	MIN.	TYP.	MAX.	Unit
Resolution	RES				8	bit
Overall error	AINL	Rload = 4 M Ω $2.7\text{ V} \leq \text{V}_{\text{DD}} \leq 5.5\text{ V}$			± 2.5	LSB
		Rload = 8 M Ω $2.7\text{ V} \leq \text{V}_{\text{DD}} \leq 5.5\text{ V}$			± 2.5	LSB
Settling time	t_{SET}	Cload = 20 pF $2.7\text{ V} \leq \text{V}_{\text{DD}} \leq 5.5\text{ V}$			3	μs

36.6.4 Comparator Characteristics

($T_A = -40$ to $+125^\circ\text{C}$, $2.7\text{ V} \leq \text{EV}_{\text{DD}0} = \text{EV}_{\text{DD}1} = \text{V}_{\text{DD}} \leq 5.5\text{ V}$, $\text{V}_{\text{SS}} = \text{EV}_{\text{SS}0} = \text{EV}_{\text{SS}1} = 0\text{ V}$)

Parameter	Symbol	Conditions	MIN.	TYP.	MAX.	Unit
Input offset voltage	V_{IOCOMP}			± 5	± 40	mV
Input voltage range	V_{ICOMP}		0		V_{DD}	V
Response time	t_{CR} , t_{CF}	Input amplitude $\pm 100\text{ mV}$		70	200	ns
Stabilization wait time during input channel switching ^{Note 1}	t_{WAIT}	Input amplitude $\pm 100\text{ mV}$	300			ns
Operation stabilization wait time ^{Note 2}	t_{CMP}	$3.3\text{ V} \leq \text{V}_{\text{DD}} \leq 5.5\text{ V}$	1			μs
		$2.7\text{ V} \leq \text{V}_{\text{DD}} < 3.3\text{ V}$	3			μs

- Notes**
1. Period of time from when the comparator input channel is switched until the comparator is switched to output
 2. Period of time from when the comparator operation is enabled (HCMPON bit in CMPCTL is set to 1) until the comparator satisfies the DC/AC characteristics.

36.6.5 POR Circuit Characteristics

($T_A = -40$ to $+125^\circ\text{C}$, $V_{SS} = EV_{SS0} = EV_{SS1} = 0$ V)

Parameter	Symbol	Conditions	MIN.	TYP.	MAX.	Unit
Detection voltage ^{Note}	V_{POR}	Power supply rise time	1.48	1.56	1.62	V
	V_{PDR}	Power supply fall time	1.47	1.55	1.61	V
Minimum pulse width	T_{PW}		300			μs
Detection delay time	T_{PD}				350	μs

Note This indicates the POR circuit characteristics, and normal operation is not guaranteed under the condition of less than lower limit operation voltage (2.7 V).

36.6.6 LVD Circuit Characteristics

(1) LVD detection voltage of interrupt mode or reset mode

(T_A = -40 to +125°C, V_{PDR} ≤ EV_{DD0} = EV_{DD1} = V_{DD} ≤ 5.5 V, V_{SS} = EV_{SS0} = EV_{SS1} = 0 V)

Parameter		Symbol	Conditions	MIN.	TYP.	MAX.	Unit
Detection voltage	Supply voltage level	V _{LVD0}	Power supply rise time	4.62	4.74	4.94	V
			Power supply fall time	4.52	4.64	4.84	V
		V _{LVD1}	Power supply rise time	4.50	4.62	4.82	V
			Power supply fall time	4.40	4.52	4.71	V
		V _{LVD2}	Power supply rise time	4.30	4.42	4.61	V
			Power supply fall time	4.21	4.32	4.51	V
		V _{LVD3}	Power supply rise time	3.13	3.22	3.39	V
			Power supply fall time	3.07	3.15	3.31	V
		V _{LVD4}	Power supply rise time	2.95	3.02	3.17	V
			Power supply fall time	2.89	2.96	3.09	V
V _{LVD5}	Power supply rise time	2.74	2.81	2.95	V		
	Power supply fall time	2.68 ^{Note}	2.75	2.88	V		
Minimum pulse width		t _{LW}		300			μs
Detection delay time		t _{LD}				300	μs

Note The minimum value exceeds below the lower limit operation voltage (2.7 V), however, in reset mode, normal operation (same behavior when V_{DD} = 2.7 V) is possible until a reset is effected at the power supply falling time.

(2) LVD detection voltage of interrupt & reset mode

(T_A = -40 to +125°C, V_{PDR} ≤ EV_{DD0} = EV_{DD1} = V_{DD} ≤ 5.5 V, V_{SS} = EV_{SS0} = EV_{SS1} = 0 V)

Parameter	Symbol	Conditions	MIN.	TYP.	MAX.	Unit	
Interrupt and reset mode	V _{LVD5}	VPOC2, VPOC1, VPOC0 = 0, 0, 1 ^{Note 1} , falling reset voltage: 2.75 V	2.68 ^{Note 2}	2.75	2.88	V	
	V _{LVD2}	LVIS1, LVIS0 = 0, 0	Rising release reset voltage	4.30	4.42	4.61	V
			Falling interrupt voltage	4.21	4.32	4.51	V
	V _{LVD5}	VPOC2, VPOC1, VPOC0 = 0, 1, 0 ^{Note 1} , falling reset voltage: 2.75 V	2.68 ^{Note 2}	2.75	2.88	V	
	V _{LVD1}	LVIS1, LVIS0 = 0, 0	Rising release reset voltage	4.50	4.62	4.82	V
			Falling interrupt voltage	4.40	4.52	4.71	V
	V _{LVD5}	VPOC2, VPOC1, VPOC0 = 0, 1, 1 ^{Note 1} , falling reset voltage: 2.75 V	2.68 ^{Note 2}	2.75	2.88	V	
	V _{LVD3}	LVIS1, LVIS0 = 0, 1	Rising release reset voltage	3.13	3.22	3.39	V
			Falling interrupt voltage	3.07	3.15	3.31	V
	V _{LVD0}	LVIS1, LVIS0 = 0, 0	Rising release reset voltage	4.62	4.74	4.94	V
Falling interrupt voltage			4.52	4.64	4.84	V	

Notes 1. These values indicate setting values of option bytes.

2. The minimum value exceeds below the lower limit operation voltage (2.7 V), however, in reset mode, normal operation (same behavior when V_{DD} = 2.7 V) is possible until a reset is effected at the power supply falling time.

36.7 Power Supply Voltage Rising Time

($T_A = -40$ to $+125^\circ\text{C}$, $V_{SS} = EV_{SS0} = EV_{SS1} = 0\text{ V}$)

Parameter	Symbol	Conditions	MIN.	TYP.	MAX.	Unit
Maximum power supply voltage rising slope	S_{Vmax}	0 V \rightarrow V_{DD} ($VPOC2 = 0$ or 1 ^{Note 2})			50 ^{Note 3}	V/ms
Minimum power supply voltage rising slope ^{Note 1}	S_{Vmin}	0 V \rightarrow 2.7 V	6.5			V/ms

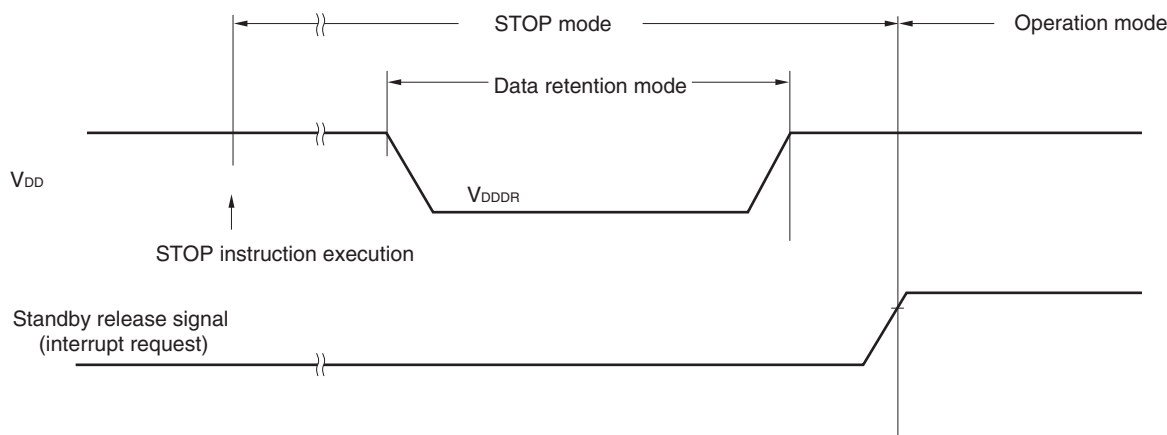
- Notes 1.** The minimum power supply voltage rising slope is applied only under the following condition.
When the voltage detection (LVD) circuit is not used ($VPOC2 = 1$) and an external reset circuit is not used or when a reset is not effected until $V_{DD} = 2.7\text{ V}$.
- 2.** These values indicate setting values of option bytes.
- 3.** If the power supply drops below V_{PDR} and a POR reset is effected, this specification is also applied when the power supply is recovered without dropping to 0 V.

36.8 STOP Mode Memory Retention Characteristics

($T_A = -40$ to $+125^\circ\text{C}$, $V_{SS} = EV_{SS0} = EV_{SS1} = 0$ V)

Parameter	Symbol	Conditions	MIN.	TYP.	MAX.	Unit
Data retention supply voltage	V_{DDDR}		1.47 ^{Note}		5.5	V

Note The value depends on the POR detection voltage. When the voltage drops, the data is retained before a POR reset is effected, but data is not retained when a POR reset is effected.



36.9 Flash Memory Programming Characteristics

($T_A = -40$ to $+125^\circ\text{C}$, 2.7 V $\leq EV_{DD0} = EV_{DD1} = V_{DD} \leq 5.5$ V, $V_{SS} = EV_{SS0} = EV_{SS1} = 0$ V)

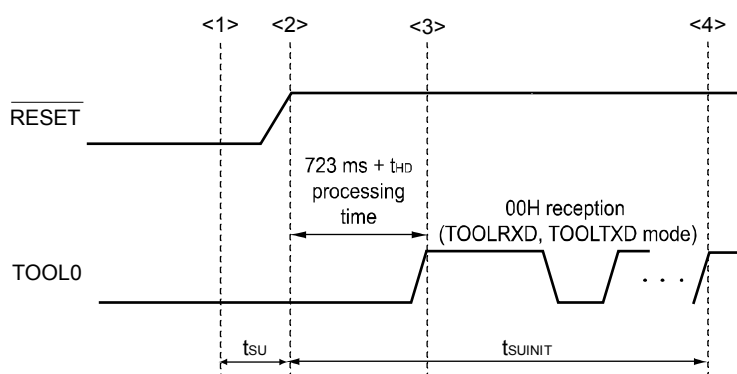
Parameter	Symbol	Conditions	MIN.	TYP.	MAX.	Unit
System clock frequency	f_{CLK}		1		24	MHz
Number of code flash rewrites ^{Notes 1, 2, 3}	C_{erwr}	Retained for 20 years (after rewrite) $T_A = +85^\circ\text{C}$ ^{Note 4}	1,000			Times
Number of data flash rewrites ^{Notes 1, 2, 3}		Retained for 20 years (after rewrite) $T_A = +85^\circ\text{C}$ ^{Note 4}	10,000			
		Retained for 5 years (after rewrite) $T_A = +85^\circ\text{C}$ ^{Note 4}	100,000			
Erase time	T_{erasa}	Block erase	5			ms
Write time	T_{wrwa}	1 word write	10			μs

- Notes**
- 1 erase + 1 write after the erase is regarded as 1 rewrite. The retaining years are until next rewrite after the rewrite.
 2. When using flash memory programmer and Renesas Electronics self programming library
 3. These are the characteristics of the flash memory and the results obtained from reliability testing by Renesas Electronics Corporation.
 4. The average temperature for data retention.

36.10 Timing of Entry to Flash Memory Programming Modes

($T_A = -40$ to $+125^\circ\text{C}$, $2.7\text{ V} \leq \text{EV}_{\text{DD0}} = \text{EV}_{\text{DD1}} \leq \text{V}_{\text{DD}} \leq 5.5\text{ V}$, $\text{V}_{\text{SS}} = \text{EV}_{\text{SS0}} = \text{EV}_{\text{SS1}} = 0\text{ V}$)

Parameter	Symbol	Conditions	MIN.	TYP.	MAX.	Unit
Time to complete the communication for the initial setting after the external reset is released	t_{SUNIT}	POR and LVD reset must be released before the external reset is released.			100	ms
Time to release the external reset after the TOOL0 pin is set to the low level	t_{SU}	POR and LVD reset must be released before the external reset is released.	10			μs
Time to hold the TOOL0 pin at the low level after the external reset is released (excluding the processing time of the firmware to control the flash memory)	t_{HD}	POR and LVD reset must be released before the external reset is released.	1			ms



- <1> The low level is input to the TOOL0 pin.
- <2> The external reset is released (POR and LVD reset must be released before the external reset is released.).
- <3> The TOOL0 pin is set to the high level.
- <4> Setting of the flash memory programming mode by UART reception and complete the baud rate setting.

Remark t_{SUNIT} : Communication for the initial setting must be completed within 100 ms after the external reset is released during this period.

t_{SU} : Time to release the external reset after the TOOL0 pin is set to the low level

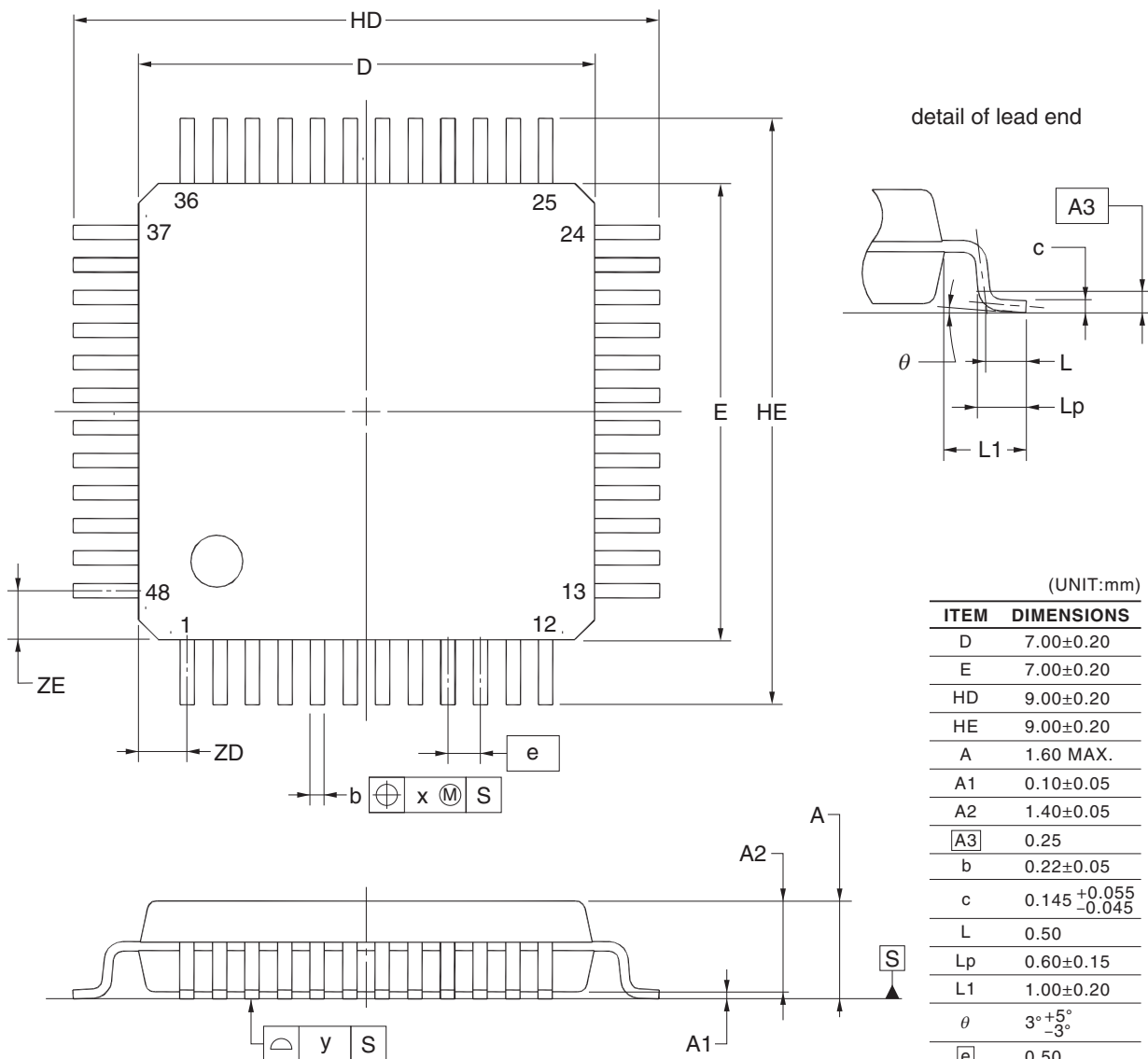
t_{HD} : Time to hold the TOOL0 pin at the low level after the external reset is released (excluding the processing time of the firmware to control the flash memory)

CHAPTER 37 PACKAGE DRAWING

37.1 48-pin products

37.1.1 48-pin LQFP

JEITA Package Code	RENESAS Code	Previous Code	MASS (TYP.) [g]
P-LFQFP48-7x7-0.50	PLQP0048KF-A	P48GA-50-8EU-1	0.16



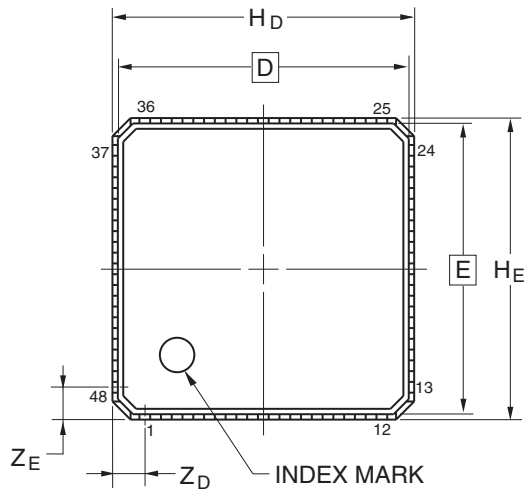
(UNIT:mm)

ITEM	DIMENSIONS
D	7.00±0.20
E	7.00±0.20
HD	9.00±0.20
HE	9.00±0.20
A	1.60 MAX.
A1	0.10±0.05
A2	1.40±0.05
A3	0.25
b	0.22±0.05
c	0.145 ^{+0.055} _{-0.045}
L	0.50
Lp	0.60±0.15
L1	1.00±0.20
θ	3° ^{+5°} _{-3°}
e	0.50
x	0.08
y	0.08
ZD	0.75
ZE	0.75

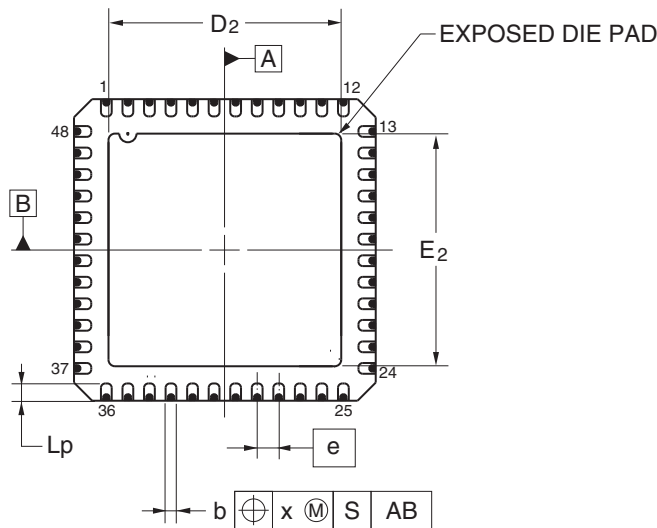
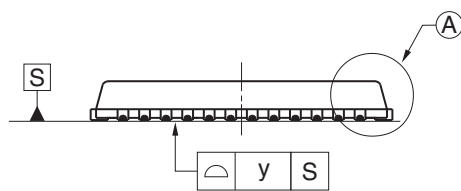
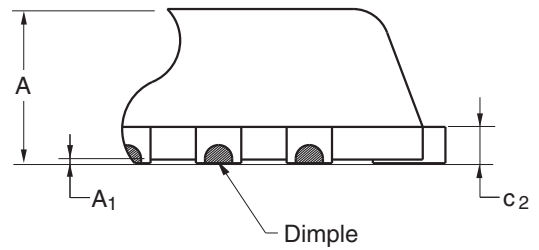
NOTE
Each lead centerline is located within 0.08 mm of its true position at maximum material condition.

37.1.2 48-pin VQFN

JEITA Package code	RENESAS code	Previous code	MASS(TYP.)[g]
P-HVQFN48-7x7-0.50	PVQN0048KG-A	P48K9-50A-BAJ	0.13



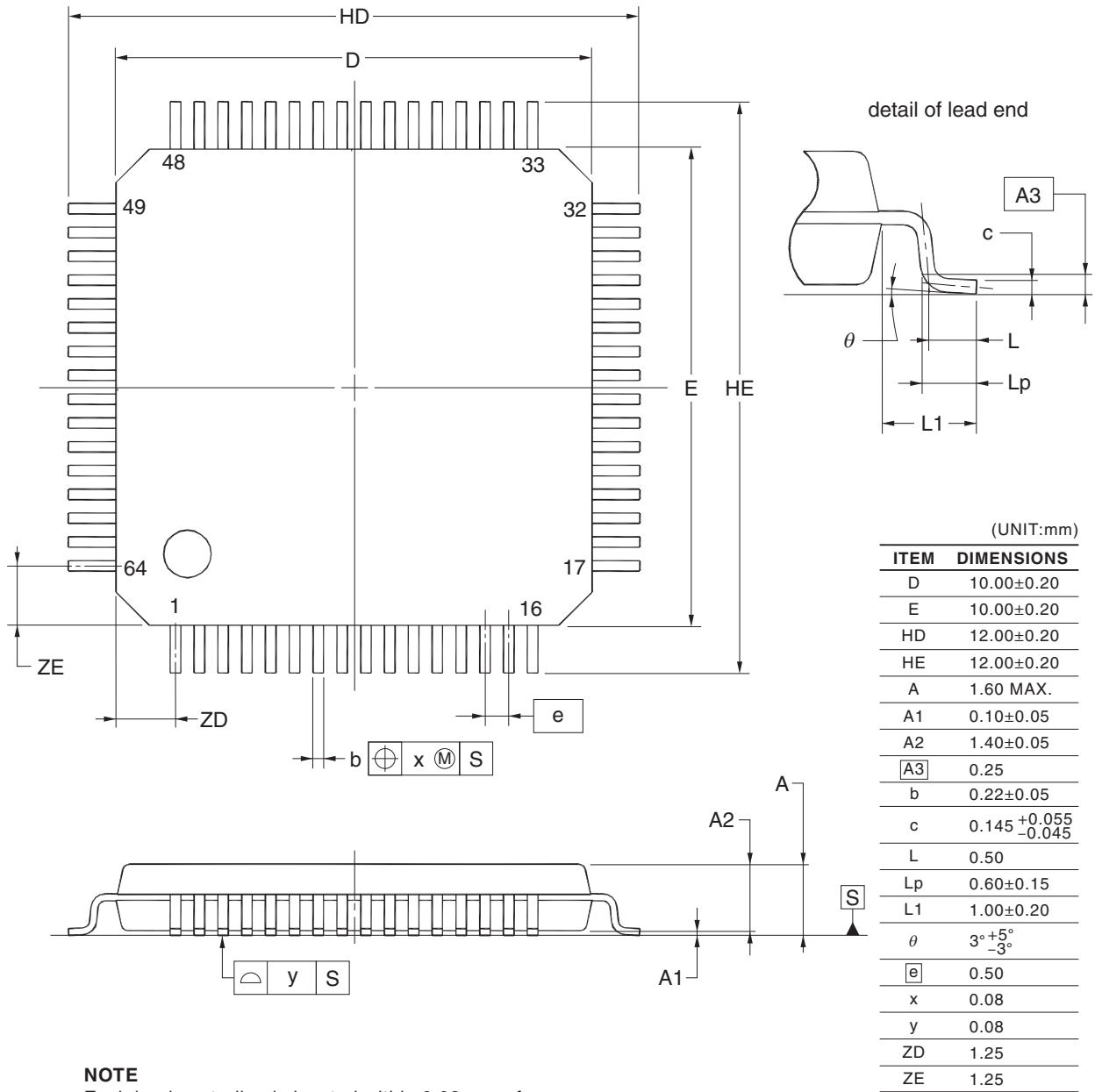
DETAIL OF (A) PART



Reference Symbol	Dimension in Millimeters		
	Min	Nom	Max
D	—	6.75	—
E	—	6.75	—
A	—	—	0.90
A ₁	0.00	—	—
b	0.20	0.25	0.30
e	—	0.50	—
L _p	0.30	0.40	0.50
x	—	—	0.10
y	—	—	0.05
H _D	6.95	7.00	7.05
H _E	6.95	7.00	7.05
Z _D	—	0.75	—
Z _E	—	0.75	—
c ₂	0.19	0.20	0.21
D ₂	—	5.40	—
E ₂	—	5.40	—

37.2 64-pin products

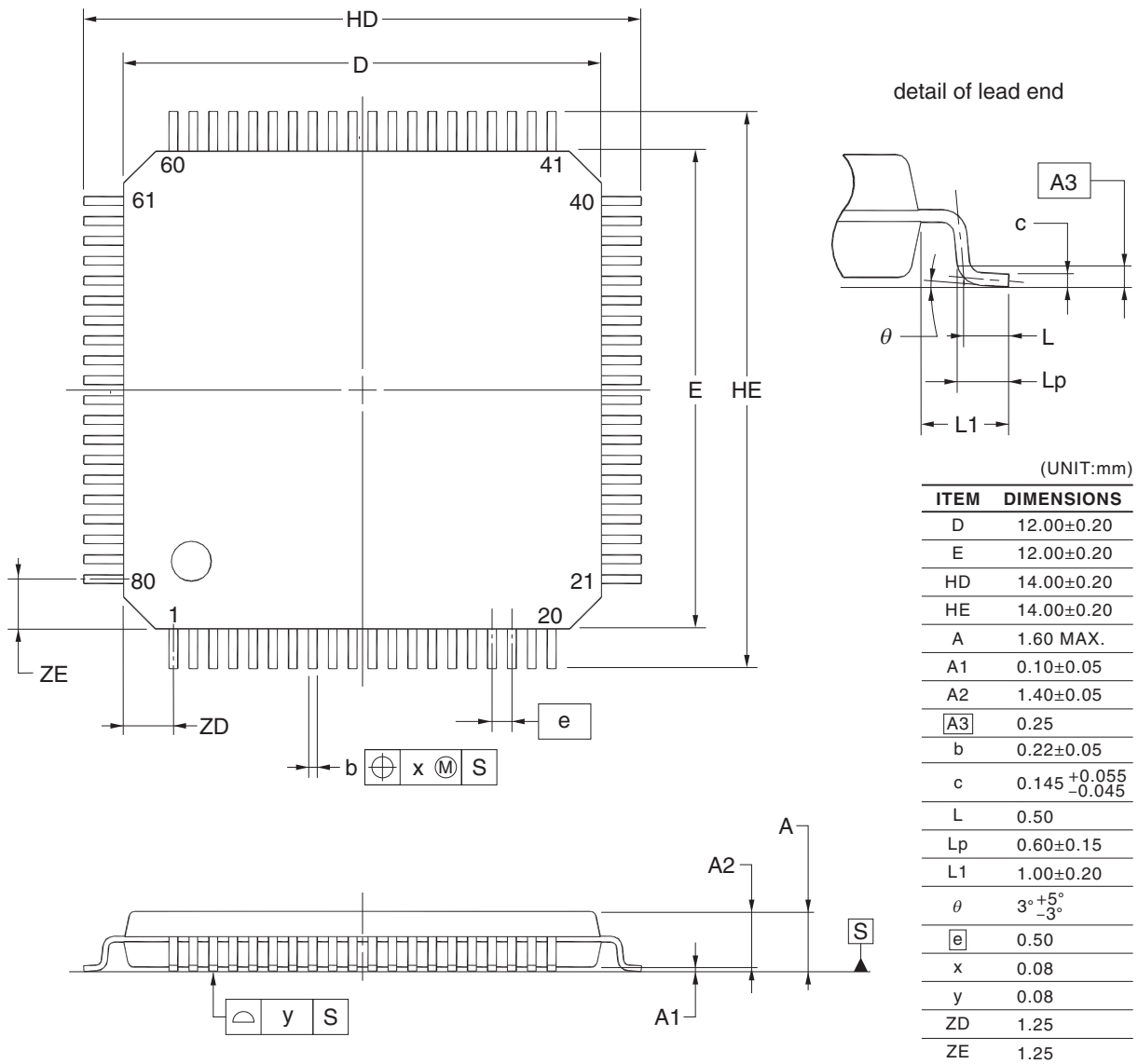
JEITA Package Code	RENESAS Code	Previous Code	MASS (TYP.) [g]
P-LFQFP64-10x10-0.50	PLQP0064KF-A	P64GB-50-UEU-2	0.35



NOTE
Each lead centerline is located within 0.08 mm of its true position at maximum material condition.

37.3 80-pin products

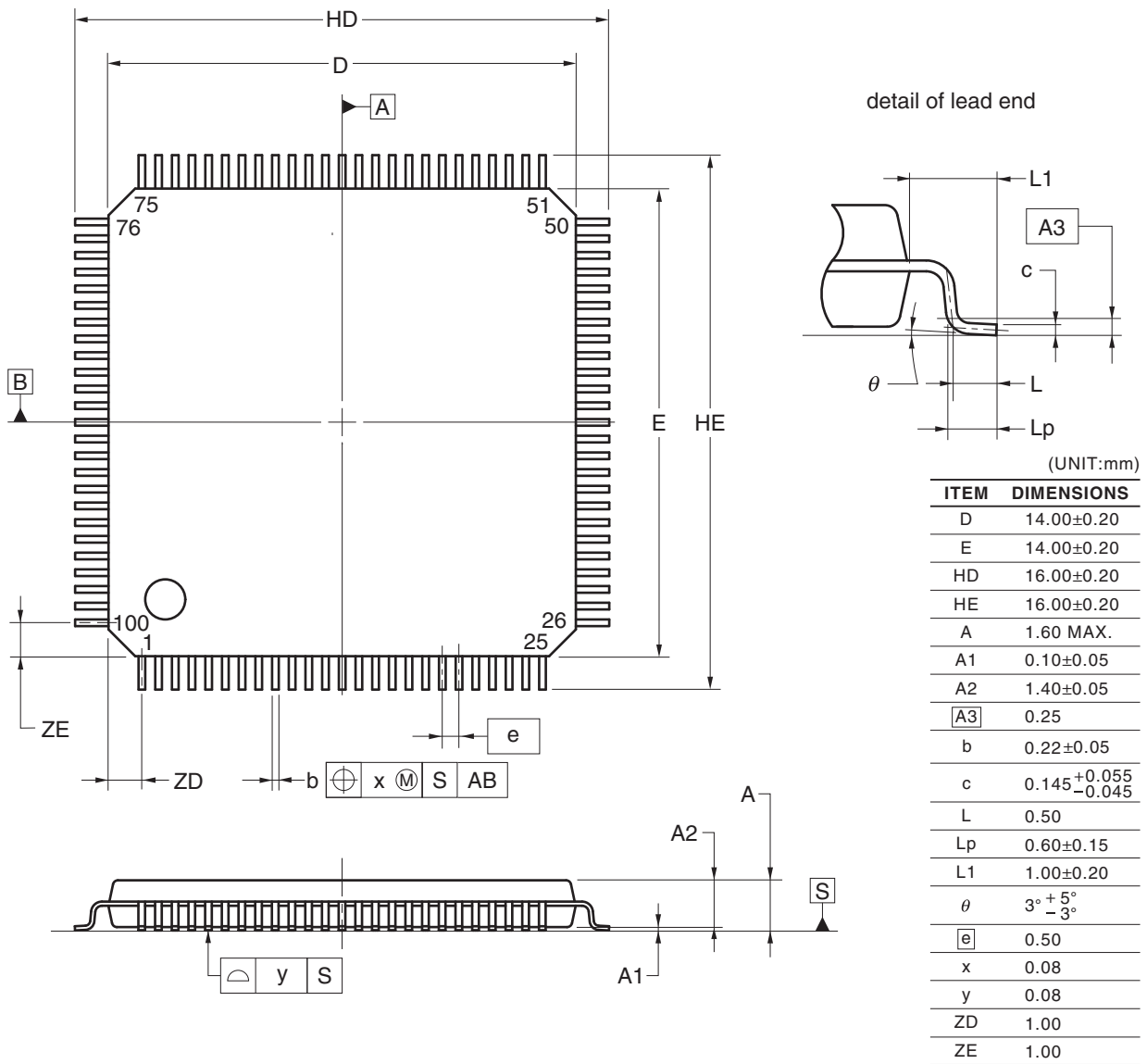
JEITA Package Code	RENESAS Code	Previous Code	MASS (TYP.) [g]
P-LFQFP80-12x12-0.50	PLQP0080KE-A	P80GK-50-8EU-2	0.53



NOTE
 Each lead centerline is located within 0.08 mm of its true position at maximum material condition.

37.4 100-pin products

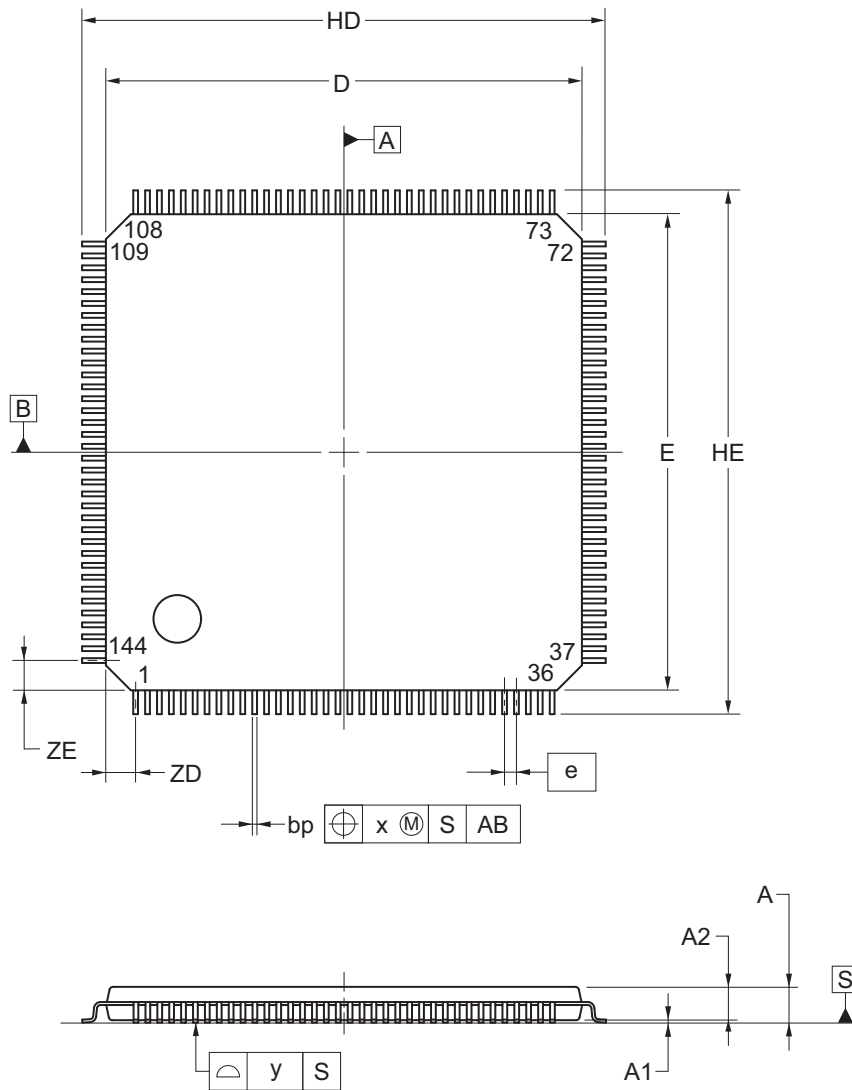
JEITA Package Code	RENESAS Code	Previous Code	MASS (TYP.) [g]
P-LFQFP100-14x14-0.50	PLQP0100KE-A	P100GC-50-GBR-1	0.69



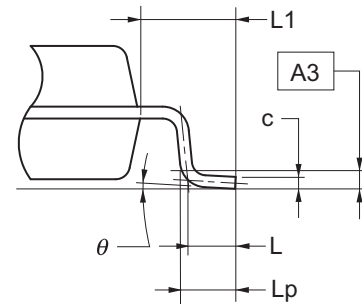
©2012 Renesas Electronics Corporation. All rights reserved.

37.5 144-pin products

JEITA Package Code	RENESAS Code	Previous Code	MASS (TYP.) [g]
P-LFQFP144-20x20-0.50	PLQP0144KD-E	P144GJ-50-UEN	1.3



detail of lead end



Reference Symbol	Dimension in Millimeters		
	Min	Nom	Max
D	19.80	20.00	20.20
E	19.80	20.00	20.20
HD	21.80	22.00	22.20
HE	21.80	22.00	22.20
A	—	—	1.60
A1	0.05	0.10	0.15
A2	1.35	1.40	1.45
A3	—	0.25	—
bp	0.17	0.22	0.27
c	0.10	0.145	0.20
L	—	0.50	—
Lp	0.45	0.60	0.75
L1	0.80	1.00	1.20
θ	0°	3°	8°
e	—	0.50	—
x	—	—	0.08
y	—	—	0.08
ZD	—	1.25	—
ZE	—	1.25	—

© 2012 Renesas Electronics Corporation. All rights reserved.

APPENDIX A RELATED PRODUCTS

A.1 List of Analog and Power Devices

(1/2)

Field of application	Analog and power device	Related product	Feature
Lightning	Lamp drive IPD LED headlight power switch	μ PD166009T1F	40 V/10 m Ω , protection function, overcurrent sensor, battery reverse connection protection, low power supply voltage off hold
		μ PD166010T1F	40 V/10 m Ω , protection function, high-precision load current sensor, battery reverse connection protection, low power supply voltage off hold
		μ PD166011T1J	40 V/25 m Ω , dual channel, protection function, high-precision load current sensor, low power supply voltage off hold
		μ PD166013T1J	40 V/60 m Ω , dual channel, protection function, high-precision load current sensor, low power supply voltage off hold
		μ PD166014T1K	40 V/60 m Ω , quad channel, protection function, high-precision load current sensor, low power supply voltage off hold
		μ PD166017T1F	40 V/6 m Ω , protection function, high-precision load current sensor, battery reverse connection protection, low power supply voltage off hold
		μ PD166020T1F	42 V/10 m Ω , protection function, high-precision load current sensor, battery reverse connection protection, low power supply voltage off hold
		μ PD166021T1F	42V/10m Ω , protection function, high-precision load current sensor, battery reverse connection protection, low power supply voltage off hold, overheating shutoff latch
	Interior lamp drive thermal FET	HAF2017	60 V/43 m Ω , LDKPAK, overheating protection function
		HAF2011	60 V/20 m Ω , LDKPAK, overheating protection function
		HAF2007	60 V/75 m Ω , DPAK, overheating protection function
	Voltage step-up MOSFET	NP22N055SLE	55 V/37 m Ω , Ciss = 1100 pF, TO-252
		NP32N055SLE	55 V/24 m Ω , Ciss = 2000 pF, TO-252
		NP40N055KLE	55 V/23 m Ω , Ciss = 1950 pF, TO-263
		NP40N10VDF	100 V/26 m Ω , Ciss = 2400 pF, TO-252
		NP70N10KUF	100 V/17 m Ω , Ciss = 3750 pF Typ. @ 10 V, TO-263
	Battery reverse connection protection/ Abnormal current cutoff MOSFET	NP36P04SDG	40 V/17 m Ω , TO-252
		NP36P04KDG	40 V/17 m Ω , TO-263
	Battery reverse connection protection MOSFET	NP55N04SUG	40 V/6.5 m Ω , TO-252
		NP55N03SUG	30 V/5.0 m Ω , TO-252
	Flyback converter drive MOSFET	NP82N10PUF	82 V/15 m Ω , TO-263
		NP70N10KUF	100 V/20 m Ω , TO-263

For the sales situation and detailed specifications, contact your local sales representatives.

(2/2)

Field of application	Analog and power device	Related product	Feature
Motor	Pre-driver and power IC for power door	R2A25111KFP	On-chip 3-phase pre-driver: Drive capacity Ciss = 10000 pF, dead time function, etc., 48-pin LQFP
		R2A25108KFP	On-chip 3-phase pre-driver: Drive capacity Ciss = 10000 pF, current sense amplifier, motor position detection, dead time function, etc., 48-pin LQFP
	Motor drive MOSFET for power window, wiper, power door	NP60N04KUG	40 V/60 A/6.1 mΩ/TO-263
		NP60N055KUG	55 V/60 A/9.4 mΩ/TO-263
		NP82N04PLG	60 V/82 A/6.7 mΩ/TO-263
		NP90N04VUG	40 V/90 A/4.0 mΩ/TO-252
		NP52N055SUG	55 V/52 A/14 mΩ/TO-252
		NP55N055SUG	55 V/55 A/10 mΩ/TO-252
		R2J25953	H-bridge driver: Pch high-side: 16 mΩ max / Nch low-side: 11 mΩ max, Iout= 50 A max, HSOP36
	Motor drive MOSFET for mirror	uPA2793GR	40 V/7 A/52 mΩ/SOP8
		uPA2794GR	60 V/5.5 A/97 mΩ/SOP8
		RJM0306JSP	30 V/3.5 A/210 mΩ/SOP8
		2SK3408	For mechanical relay drive: 43±5 V/1.0 A/195 mΩ/SC96
	Motor drive MOSFET for blower motor	NP80N06MLG	60 V, 80 A, 10 mΩ, TO-220
		NP82N06MLG	60 V, 82 A, 7.4 mΩ, TO-220
		2SK3755	40 V, 45 A, 12 mΩ, Isolated TO-220
		2SK4144	60 V, 70 A, 5.8 mΩ, Isolated TO-220
Seat Heater	Heater driver IPD	μ PD166009T1F	40 V/10 mΩ, protection function, overcurrent sensor, battery reverse connection protection, low power supply voltage off hold
		μ PD166010T1F	40 V/10 mΩ, protection function, high-precision load current sensor, battery reverse connection protection, low power supply voltage off hold
		μ PD166017T1F	40 V/6 mΩ, protection function, high-precision load current sensor, battery reverse connection protection, low power supply voltage off hold
		μ PD166011T1J	40 V/25 mΩ, dual channel, protection function, high-precision load current sensor, low power supply voltage off hold
		μ PD166013T1J	40 V/60 mΩ, dual channel, protection function, high-precision load current sensor, low power supply voltage off hold
		μ PD166014T1K	40 V/60 mΩ, quad channel, protection function, high-precision load current sensor, low power supply voltage off hold
		μ PD166017T1F	40 V/6 mΩ, protection function, high-precision load current sensor, battery reverse connection protection, low power supply voltage off hold
		μ PD166020T1F	42 V/10 mΩ, protection function, high-precision load current sensor, battery reverse connection protection, low power supply voltage off hold
		μ PD166021T1F	42 V/10 mΩ, protection function, high-precision load current sensor, battery reverse connection protection, low power supply voltage off hold, overheating shutoff latch
CAN	CAN line ESD protection	NNCD-ST series	Bidirectional ESD protection
	ESD protection	NNCD-DA series (200 mW) RD-FS series (1 W)	Surge protection

For the sales situation and detailed specifications, contact your local sales representatives.

RL78/F15 User's Manual: Hardware

Publication Date: Rev.1.00 Jan 29, 2016

Published by: Renesas Electronics Corporation

**SALES OFFICES****Renesas Electronics Corporation**<http://www.renesas.com>Refer to "<http://www.renesas.com/>" for the latest and detailed information.**Renesas Electronics America Inc.**2801 Scott Boulevard Santa Clara, CA 95050-2549, U.S.A.
Tel: +1-408-588-6000, Fax: +1-408-588-6130**Renesas Electronics Canada Limited**1101 Nicholson Road, Newmarket, Ontario L3Y 9C3, Canada
Tel: +1-905-898-5441, Fax: +1-905-898-3220**Renesas Electronics Europe Limited**Dukes Meadow, Millboard Road, Bourne End, Buckinghamshire, SL8 5FH, U.K
Tel: +44-1628-585-100, Fax: +44-1628-585-900**Renesas Electronics Europe GmbH**Arcadiastrasse 10, 40472 Düsseldorf, Germany
Tel: +49-211-6503-0, Fax: +49-211-6503-1327**Renesas Electronics (China) Co., Ltd.**Room 1709, Quantum Plaza, No.27 ZhiChunLu Haidian District, Beijing 100191, P.R.China
Tel: +86-10-8235-1155, Fax: +86-10-8235-7679**Renesas Electronics (Shanghai) Co., Ltd.**Unit 301, Tower A, Central Towers, 555 Langao Road, Putuo District, Shanghai, P. R. China 200333
Tel: +86-21-2226-0888, Fax: +86-21-2226-0999**Renesas Electronics Hong Kong Limited**Unit 1601-1613, 16/F., Tower 2, Grand Century Place, 193 Prince Edward Road West, Mongkok, Kowloon, Hong Kong
Tel: +852-2265-6688, Fax: +852 2886-9022/9044**Renesas Electronics Taiwan Co., Ltd.**13F, No. 363, Fu Shing North Road, Taipei 10543, Taiwan
Tel: +886-2-8175-9600, Fax: +886 2-8175-9670**Renesas Electronics Singapore Pte. Ltd.**80 Bendemeer Road, Unit #06-02 Hyflux Innovation Centre, Singapore 339949
Tel: +65-6213-0200, Fax: +65-6213-0300**Renesas Electronics Malaysia Sdn.Bhd.**Unit 906, Block B, Menara Amcorp, Amcorp Trade Centre, No. 18, Jln Persiaran Barat, 46050 Petaling Jaya, Selangor Darul Ehsan, Malaysia
Tel: +60-3-7955-9390, Fax: +60-3-7955-9510**Renesas Electronics Korea Co., Ltd.**12F., 234 Teheran-ro, Gangnam-Ku, Seoul, 135-920, Korea
Tel: +82-2-558-3737, Fax: +82-2-558-5141

RL78/F15