

HDSL & MDSL MAGNETICS

For Conexant Bt8960 and Bt8970

TM9955

- Optimized for use with Conexant's Bt8960 and Bt8970 transceiver ICs
- Minimum interwinding breakdown voltage of 1500 Vrms
- Designed for HDSL and MDSL environments supporting data rates from 400 Kb/s to 1168 Kb/s
- Designed to support modem, router and switch applications

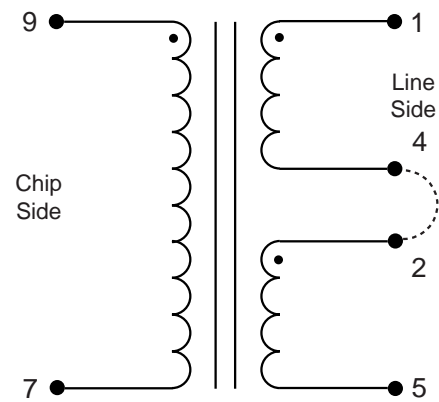
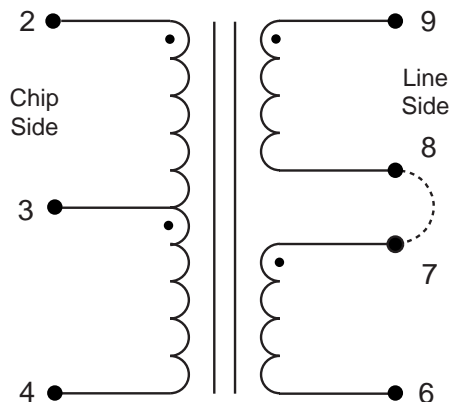
ELECTRICAL SPECIFICATIONS at 25° C

Part Number	Turns Ratio ± 3%	Inductance mH ±10%	Leakage Inductance µH max	DCR Ω max		Return Loss dB min	Harmonic Distortion dB typ
	Chip : Line	Line Side		Chip Side	Line Side		1.85Vrms
0560-6600-01	1CT : 2CT	2	4	2	4.4	40kHz - 300kHz 16.5	40kHz 70
0560-6600-02	1CT : 2CT	3	4	2	4.4	40kHz - 200kHz 20	26kHz 70
0560-6600-03	1CT : 2CT	4.5	8	2	4.4	18kHz - 132kHz 20	18kHz 70
0560-6600-04	1CT : 2CT	5.8	10	2.4	5	13kHz - 100kHz 16.5	13kHz 70
0560-6600-21	1CT : 2CT	3	5	2	5	40kHz - 200kHz 20	26kHz 70

SCHEMATICS

0560-6600-01
0560-6600-02
0560-6600-03
0560-6600-04

0560-6600-21

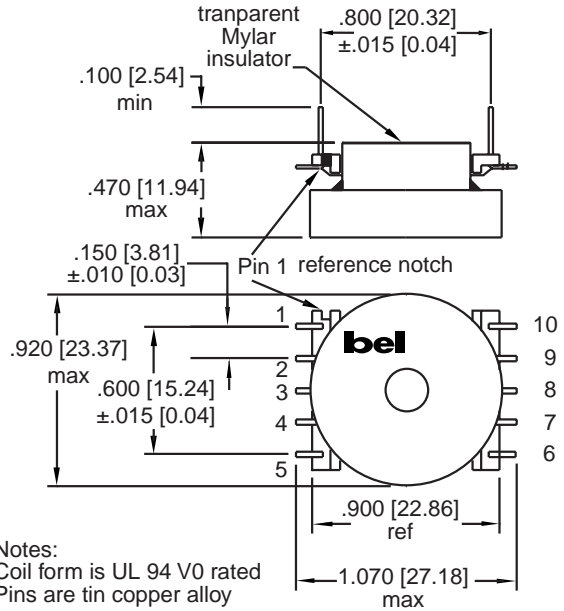


HDSL & MDSL MAGNETICS

For Conaxant Bt8960 and Bt8970

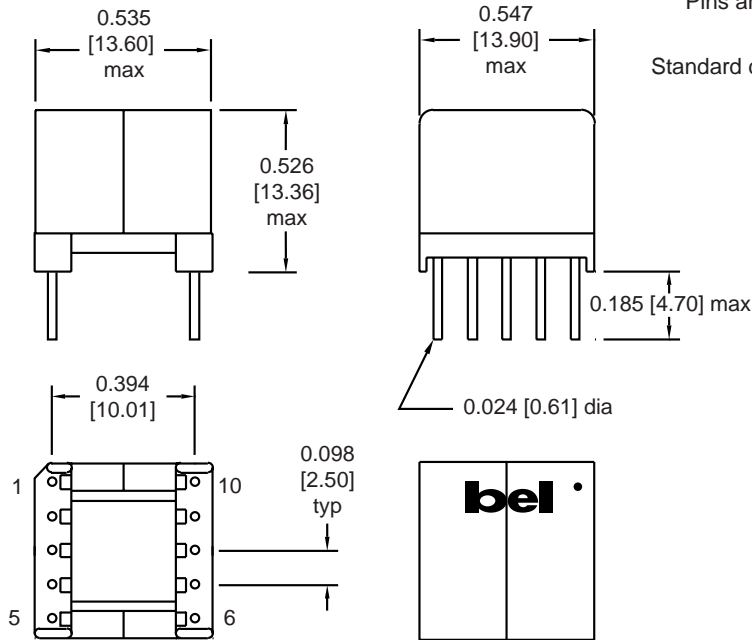
MECHANICALS

0560-6600-01
0560-6600-02
0560-6600-03
0560-6600-04



Standard dimension tolerance is ±0.005 [0.13] unless otherwise noted.

0560-6600-21



Standard dimension tolerance is ±0.005 [0.13] unless otherwise noted.

CORPORATE

Bel Fuse Inc.
 198 Van Vorst Street
 Jersey City, NJ 07302
 Tel 201-432-0463
 Fax 201-432-9542
 www.belfuse.com

FAR EAST

Bel Fuse Ltd.
 8F / 8 Luk Hop Street
 San Po Kong
 Kowloon, Hong Kong
 Tel 852-2328-5515
 Fax 852-2352-3706
 www.belfuse.com

EUROPE

Bel Fuse Europe Ltd.
 Preston Technology Management Centre
 Marsh Lane, Suite F23, Preston
 Lancashire, PR1 8UD, U.K.
 Tel 44-1772-556601
 Fax 44-1772-888366
 www.belfuse.com