



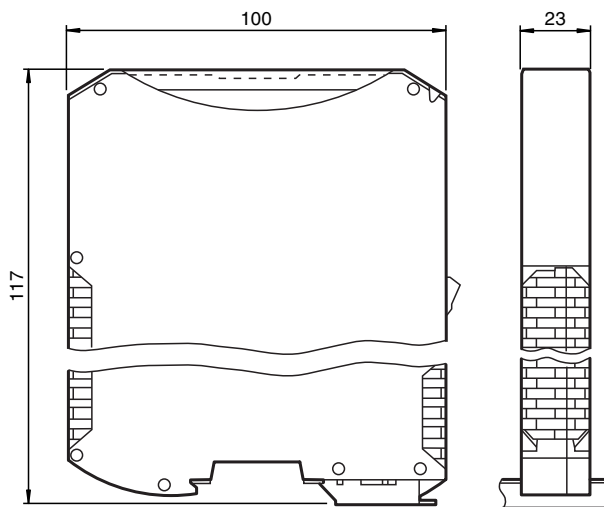
WCS interface module WCS-EIG310

- Up to 4 read heads can be connected
- DIN rail mounting
- EtherNet/IP
- Integrated switch

WCS Ethernet interface module



Dimensions



Technical Data

General specifications		
Installation	DIN rail mounting	
Functional safety related parameters		
MTTF _d	180 a	
Mission Time (T _M)	10 a	
Diagnostic Coverage (DC)	0 %	
Electrical specifications		
Operating voltage	U _B	10 ... 30 V DC
Power consumption	P ₀	≤ 3.6 W (without read heads)
Interface 1		

Release date: 2020-03-24 Date of issue: 2020-09-30 Filename: 247901_eng.pdf

Refer to "General Notes Relating to Pepperl+Fuchs Product Information".

Pepperl+Fuchs Group
www.pepperl-fuchs.com

USA: +1 330 486 0001
fa-info@us.pepperl-fuchs.com

Germany: +49 621 776 1111
fa-info@de.pepperl-fuchs.com

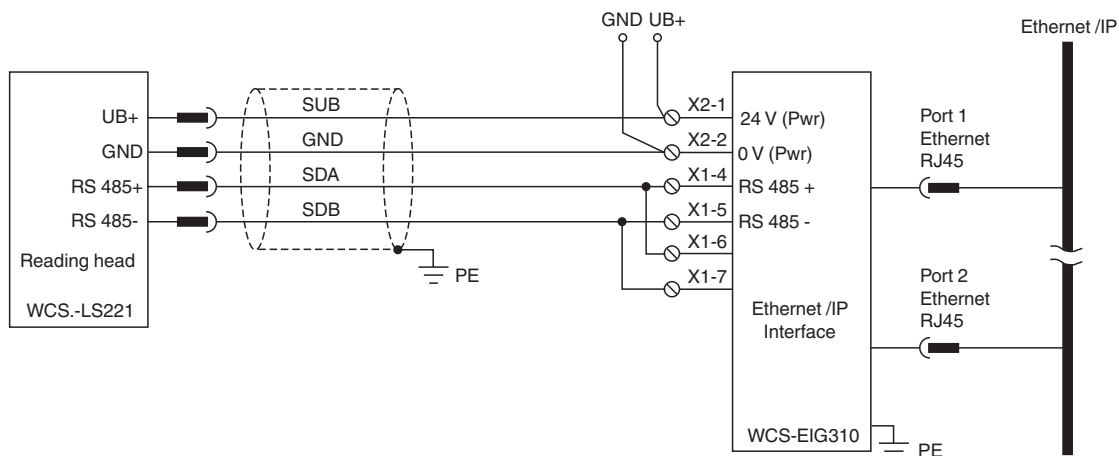
Singapore: +65 6779 9091
fa-info@sg.pepperl-fuchs.com

 PEPPERL+FUCHS

Technical Data

Connection of	control system
Interface type	Ethernet
Protocol	EtherNet/IP
Transfer rate	10 MBit/s or 100 MBit/s
Data output format	binary code
Interface 2	
Connection of	control system
Interface type	Ethernet
Protocol	EtherNet/IP
Transfer rate	10 MBit/s or 100 MBit/s
Data output format	binary code
Interface 3	
Interface type	For WCS-LS121 and WCS-LS221 readers Switchable terminator Update cycle of reader: 1 ms
Physical	RS-485
Protocol	half duplex
Transfer rate	62.5 Bit/s
Standard conformity	
Emitted interference	EN 55011, cl. A: 2007
Noise immunity	EN 61000-4-2:2009, EN 61000-4-3:2006+A1:2008, EN 61000-4-4:2004, EN 61000-4-5:2006, EN 61000-6-2:2005
Approvals and certificates	
CCC approval	CCC approval / marking not required for products rated ≤36 V
Ambient conditions	
Operating temperature	-25 ... 85 °C (-13 ... 185 °F)
Storage temperature	-40 ... 85 °C (-40 ... 185 °F)
Relative humidity	≤ 80 %
Mechanical specifications	
Connection type	Interface 1 & 2: RJ-45 socket, 8-pin Interface 3: terminal connection ≤ 2.5 mm ² , 5-pin
Housing width	23 mm
Housing height	118 mm
Degree of protection	IP20
Material	plastic
Installation position	any position
Mass	approx. 140 g

Connection



Release date: 2020-03-24 Date of issue: 2020-09-30 Filename: 247901_eng.pdf

Refer to "General Notes Relating to Pepperl+Fuchs Product Information".