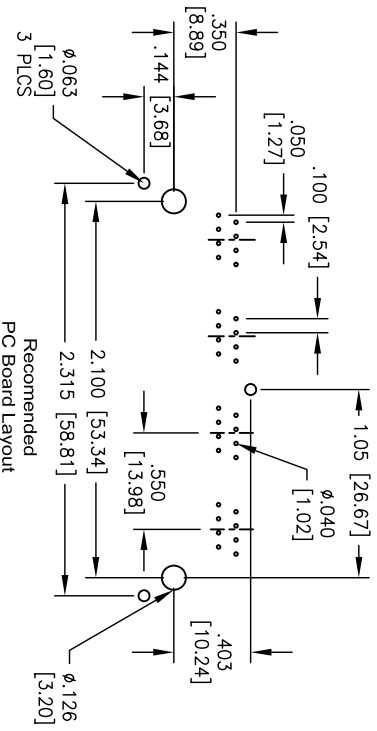
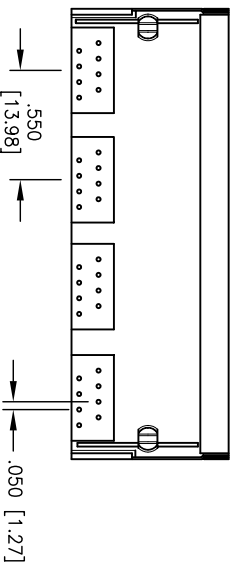
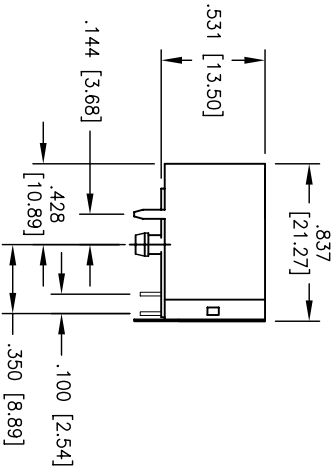
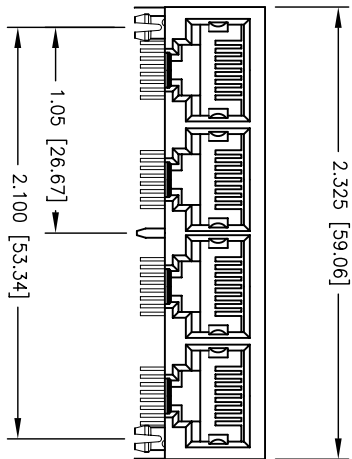


Rev	AWO #	Description	Date	Appr
-		Released	2/8/06	

APPROVED: _____
 DATE: _____ TITLE: _____



SPECIFICATIONS:
 Material: Insulator: PBT, rated UL 94V-0
 Insulator color: Black
 Contacts: Phosphor Bronze
 Shield: Copper Alloy, Nickel plated
 Plating: Gold over Nickel underplate on contact area, Tin over Copper underplate on PCB tails. (See chart for thickness)
 Electrical:

Operating voltage: 150 VAC max
 Current rating: 1.5 Amps max
 Contact resistance: 20 mohms max
 Insulation resistance: 1000 Mohms min @ 500 VDC
 Dielectric withstanding voltage: 1000 VAC for 1 minute
 Frequency Bandwidth: 100 MHz
 Temperature Rating: Operating temperature: -40°C to +125°C
 Environmental: Lead free, RoHS compliant.
 Recommended soldering temp: 235 for 5 sec.

"X"	PLATING
0	15 uin Gold
1	30 uin Gold
2	50 uin Gold

ADAM TECH
 909 Rahway Avenue, Union, NJ 07083
 Phone: 908-687-5000 Fax: 908-687-0214

MODULAR TELEPHONE JACK, R/A
 GANGED, PCB, 4 PORT, 8P8C, CAT 5e

UNLESS OTHERWISE SPECIFIED ALL DIMENSIONS ARE MM [INCHES] TOLERANCES: EXCEPT AS NOTED	
INCHES	HOLES
X .XX ± .10	Ø XX ± .015
.XX ± .020	Ø XXX ± .015
.XXX ± .015	Ø XXX ± .010
APPROVALS	DATE
SS	2/8/06
CHECKED	
APPROVED	

SIZE	PART NO.	REV.
X	MTJG-4-88TX1-FSB-C5E	-
REF:	SCALE: NTS	SHEET 1 OF 1



6 5 4 3 2 1