

PLEASE CHECK WWW.MOLEX.COM FOR LATEST PART INFORMATION

Part Number: [5015313410](#)
Status: **Active**
Overview: [slimstack_mm016_pitch](#)
Description: 0.40mm (.016") Pitch SlimStack™ Board-to-Board, Plug, SMT, Dual Row, Vertical Stacking, 1.30mm (.051") Stacking Height, With Solder Tabs, 34 Circuits

Documents:

[3D Model](#) [Product Specification PS-501527-001 \(PDF\)](#)
[Drawing \(PDF\)](#) [RoHS Certificate of Compliance \(PDF\)](#)

General

Product Family	PCB Headers
Series	501531
Application	Board-to-Board
Overview	slimstack_mm016_pitch
Product Name	SlimStack™

Physical

Breakaway	No
Circuits (Loaded)	34
Color - Resin	Black
Durability (mating cycles max)	30
Glow-Wire Compliant	No
Guide to Mating Part	No
Keying to Mating Part	None
Lock to Mating Part	Yes
Mated Height (in)	0.051 In
Mated Height (mm)	1.30 mm
Material - Metal	Brass, Phosphor Bronze
Material - Plating Mating	Gold
Number of Rows	2
Orientation	Vertical
PCB Locator	No
PCB Retention	Yes
Packaging Type	Embossed Tape on Reel
Pitch - Mating Interface (in)	0.016 In
Pitch - Mating Interface (mm)	0.40 mm
Polarized to Mating Part	No
Polarized to PCB	No
Stackable	No
Temperature Range - Operating	-25°C to +85°C
Termination Interface: Style	Surface Mount

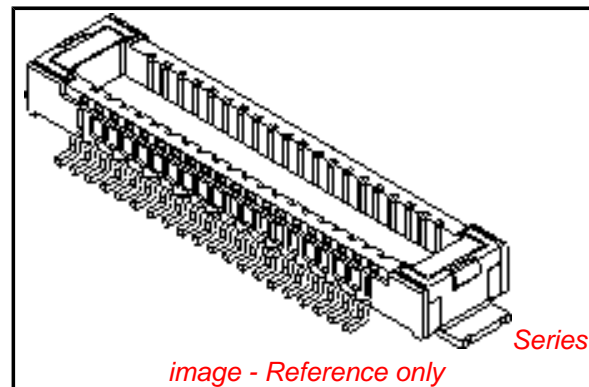
Electrical

Current - Maximum per Contact	0.3A
Voltage - Maximum	50V AC (RMS)/DC

Material Info

Reference - Drawing Numbers

Packaging Specification	SPK-501531-001
Product Specification	PS-501527-001, RPS-501527-002, RPS-501527-004
Sales Drawing	SD-501531-001, SD-501531-002



EU RoHS

ELV and RoHS Compliant
REACH SVHC
 Not Reviewed
Halogen-Free
Status
Not Reviewed

China RoHS



Need more information on product environmental compliance?

Email productcompliance@molex.com
 For a multiple part number RoHS Certificate of Compliance, [click here](#)

Please visit the [Contact Us](#) section for any non-product compliance questions.

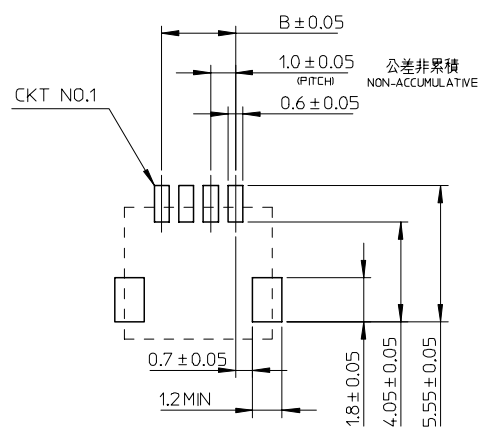
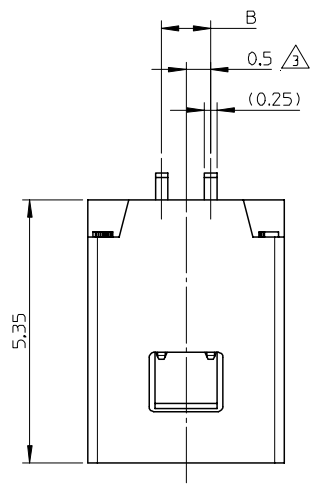
Search Parts in this Series

[501531Series](#)

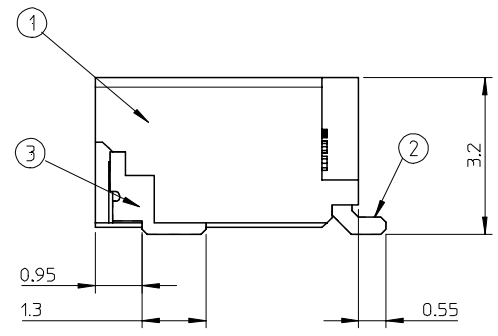
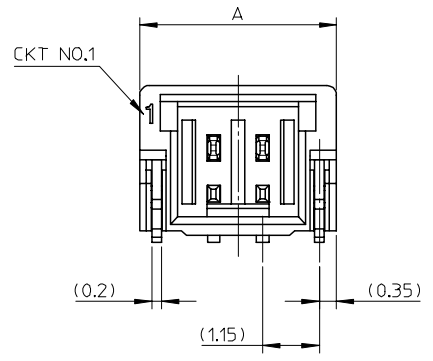
Mates With

[501527 SlimStack™ Board-to-Board Receptacle](#)

PLEASE CHECK WWW.MOLEX.COM FOR LATEST PART INFORMATION



参考パターンレイアウト
RECOMMENDED PATTERN DIM.(REF)
SCALE:5-1



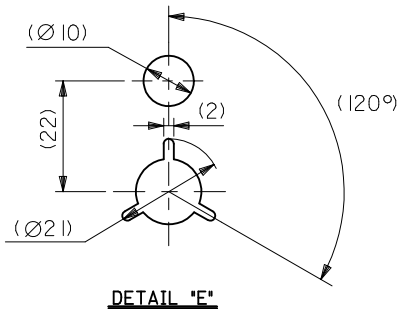
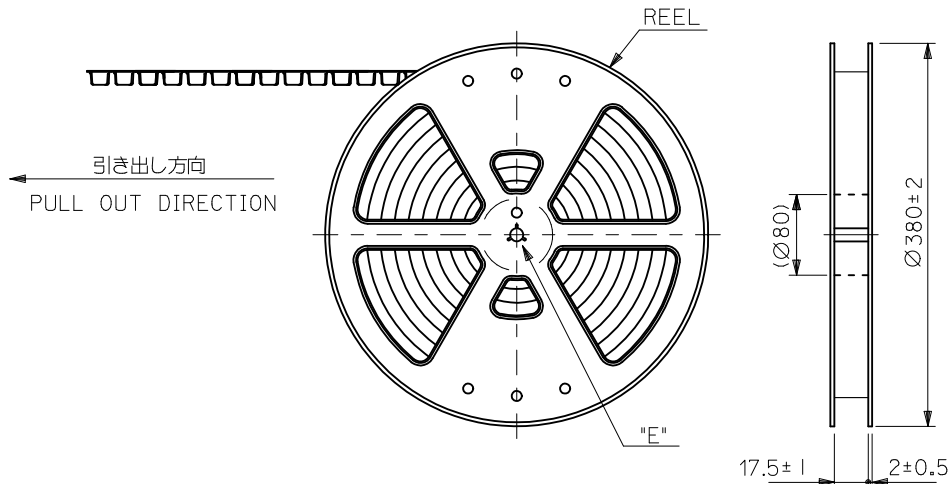
番号 NO.	部品 PART	材質 MATERIAL
①	ウェハー WAFER	耐熱ナイロン、UL94V-0、色：自然色 HEAT RESISTANCE NYLON, UL94V-0, COLOR:NATURAL
②	ソルダーピン SOLDER PIN	リン青銅 PHOSPHOR BRONZE すずメッキ : 1 MICRO METER MINIMUM. TIN PLATING ニッケル下地メッキ : 1 MICRO METER MINIMUM. NICKEL UNDER PLATING
③	ネイル NAIL	黄銅 BRASS すずメッキ : 1 MICRO METER MINIMUM. TIN PLATING ニッケル下地メッキ : 1 MICRO METER MINIMUM. NICKEL UNDER PLATING

4.0	7.0	501568-0509	5	501568-**09
3.0	6.0	501568-0409	4	
2.0	5.0	501568-0309	3	
1.0	4.0	501568-0209	2	
B	A	MATERIAL NO.	CKT	MODEL NO.

NOTES
~~~~~

1. かん合相手 : 501330-\*\*\*\*  
MATE WITH : 501330-\*\*\*\*
2. ソルダーピン及びネイルの平坦度は0.1MAX.  
SOLDER PIN AND NAIL COPLANARITY TO BE 0.1MAX.
- ③ 極数=偶数に適用  
APPLY FOR CKT SIZE=EVEN
4. 6~15極は、SD-501568-002を参照下さい。  
REFER TO SD-501568-002 ABOUT 6-15CKT.

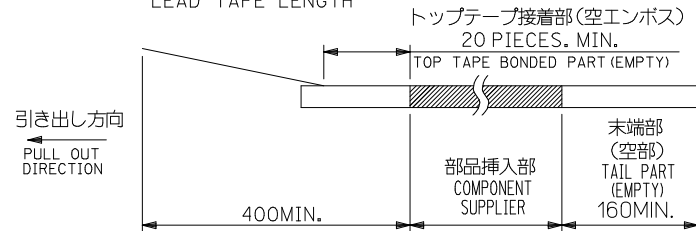
|                                                                                                            |                                          |                                                            |                            |                                                                                                                                  |                                                                                |                        |                           |
|------------------------------------------------------------------------------------------------------------|------------------------------------------|------------------------------------------------------------|----------------------------|----------------------------------------------------------------------------------------------------------------------------------|--------------------------------------------------------------------------------|------------------------|---------------------------|
| REVISED<br>EC NO: J2008-0220<br>DRW: NABEI 2007/07/25<br>CHK: KYOYODA 2007/07/27<br>APP: NUKITA 2007/07/27 | GENERAL TOLERANCES<br>(UNLESS SPECIFIED) |                                                            | DIMENSION STYLE<br>MM ONLY |                                                                                                                                  | SCALE<br>10:1                                                                  | DESIGN UNITS<br>METRIC | THIRD ANGLE<br>PROJECTION |
|                                                                                                            | 10 UNDER                                 | ±0.2                                                       | DRAWN BY<br>AMIZUMURA      | DATE<br>2005/01/19                                                                                                               | TITLE<br>1.0 WIRE TO BOARD CONN.<br>1-ROW R/A WAFER ASSY<br>2-5CKT -LEAD FREE- |                        |                           |
|                                                                                                            | 10 OVER 30 UNDER                         | ±0.25                                                      | CHECKED BY<br>MYAGI        | DATE<br>2005/01/19                                                                                                               | MOLEX INCORPORATED                                                             |                        |                           |
|                                                                                                            | 30 OVER                                  | ±0.3                                                       | APPROVED BY<br>ANODA       | DATE<br>2005/01/19                                                                                                               | DOCUMENT NO.<br>SD-501568-001                                                  |                        |                           |
| ANGULAR ±3 °                                                                                               |                                          | DRAFT WHERE APPLICABLE<br>MUST REMAIN<br>WITHIN DIMENSIONS |                            | MATERIAL NO.                                                                                                                     |                                                                                | SHEET NO.<br>1 OF 1    |                           |
| SEE TABLE                                                                                                  |                                          |                                                            |                            | THIS DRAWING CONTAINS INFORMATION THAT IS PROPRIETARY TO MOLEX<br>INCORPORATED AND SHOULD NOT BE USED WITHOUT WRITTEN PERMISSION |                                                                                |                        |                           |



NOTES

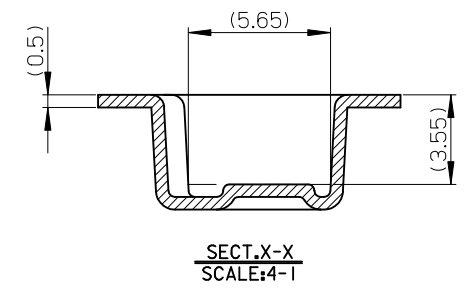
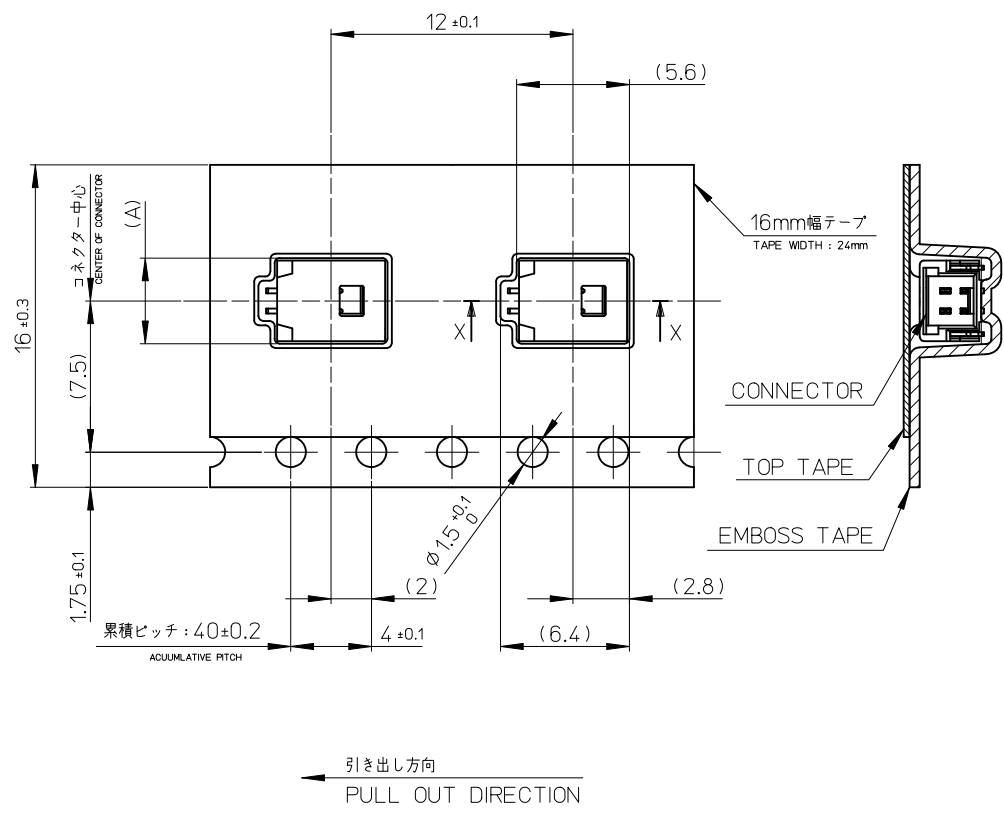
- 製品詳細寸法は製品単体図面を参照して下さい。  
FOR DETAIL OF CONNECTOR DIMENSIONS, PLEASE SEE THE DRAWING OF CONNECTOR ITSELF (NOT PACKAGED).
- 梱包数量：1700個/リール  
NUMBER OF CONNECTORS：1700PIECES/REEL

- リードテープ長さ  
LEAD TAPE LENGTH



- 材料  
MATERIAL  
キャリアテープ：ポリプロピレン  
CARRIER TAPE：POLYPROPYLENE  
トップテープ：PET、PE、REF  
TOP TAPE  
リール：ポリスチレン<リサイクル材を含む>  
REEL：POLYSTYRENE <RECYCLE MATERIAL CONTAINED>
- ELV及びRoHS適合品。  
ELV AND RoHS COMPLIANT.
- 本製品は乾燥剤入り、ハイバリア梱包仕様である。  
(501568-0607~1507以外)  
THIS PRODUCT IS HIGH BARRIER PACKAGE WITH DESICCANT.  
(BESIDES 501568-0607~1507)

|                                                                                                               |             |                                                                                                                               |       |                               |                    |                                                                          |                        |                        |  |  |
|---------------------------------------------------------------------------------------------------------------|-------------|-------------------------------------------------------------------------------------------------------------------------------|-------|-------------------------------|--------------------|--------------------------------------------------------------------------|------------------------|------------------------|--|--|
| REVISED<br>EC NO: J2010-0951<br>DRWN: NITO 2009/12/16<br>CHKD: KASAKAWA 2010/01/05<br>APPR: NUKITA 2010/01/06 | DESCRIPTION | GENERAL TOLERANCES (UNLESS SPECIFIED)                                                                                         |       | DIMENSION STYLE<br>MM ONLY    |                    | SCALE<br>---                                                             | DESIGN UNITS<br>METRIC | THIRD ANGLE PROJECTION |  |  |
|                                                                                                               |             | 10 UNDER                                                                                                                      | ±0.2  | DRAWN BY<br>AMIZUMURA         | DATE<br>2005/11/26 | TITLE<br>1.0 WIRE TO BOARD CONN.<br>WAFER ASS'Y (1-ROW R/A)<br>EMBTP PKG |                        |                        |  |  |
|                                                                                                               |             | 10 OVER 30 UNDER                                                                                                              | ±0.25 | CHECKED BY<br>MYAGI           | DATE<br>2005/11/26 |                                                                          |                        |                        |  |  |
|                                                                                                               |             | 30 OVER                                                                                                                       | ±0.3  | APPROVED BY<br>ANODA          | DATE<br>2005/11/26 | MOLEX INCORPORATED                                                       |                        |                        |  |  |
| ANGULAR ±1 °                                                                                                  |             | MATERIAL NO.<br>SEE SHEET 2                                                                                                   |       | DOCUMENT NO.<br>SD-501568-005 |                    |                                                                          |                        |                        |  |  |
| DRAFT WHERE APPLICABLE MUST REMAIN WITHIN DIMENSIONS                                                          |             | THIS DRAWING CONTAINS INFORMATION THAT IS PROPRIETARY TO MOLEX INCORPORATED AND SHOULD NOT BE USED WITHOUT WRITTEN PERMISSION |       |                               |                    |                                                                          |                        |                        |  |  |



|     |             |              |       |
|-----|-------------|--------------|-------|
| 7.3 | 501568-0509 | 501568-0507  | 5     |
| 6.3 | 501568-0409 | 501568-0407  | 4     |
| 5.3 | 501568-0309 | 501568-0307  | 3     |
| 4.3 | 501568-0209 | 501568-0207  | 2     |
| (A) | CONNECTOR   | MATERIAL NO. | CKTS. |

|                                                                                                                       |             |                                       |       |                                                                                                                               |                    |                                                                          |                               |                        |  |
|-----------------------------------------------------------------------------------------------------------------------|-------------|---------------------------------------|-------|-------------------------------------------------------------------------------------------------------------------------------|--------------------|--------------------------------------------------------------------------|-------------------------------|------------------------|--|
| REVISED<br>EC NO: J2010-0951<br>2009/12/16<br>DRWN: ITO<br>CHKD: KASAKAWA<br>2010/01/05<br>APPR: NUKITA<br>2010/01/06 | DESCRIPTION | GENERAL TOLERANCES (UNLESS SPECIFIED) |       | DIMENSION STYLE<br>MM ONLY                                                                                                    |                    | SCALE<br>---                                                             | DESIGN UNITS<br>METRIC        | THIRD ANGLE PROJECTION |  |
|                                                                                                                       |             | 10 UNDER                              | ±0.2  | DRAWN BY<br>AMIZUMURA                                                                                                         | DATE<br>2005/11/26 | TITLE<br>1.0 WIRE TO BOARD CONN.<br>WAFER ASS'Y (1-ROW R/A)<br>EMBTP PKG |                               |                        |  |
|                                                                                                                       |             | 10 OVER 30 UNDER                      | ±0.25 | CHECKED BY<br>MYAGI                                                                                                           | DATE<br>2005/11/26 | MOLEX INCORPORATED                                                       |                               |                        |  |
|                                                                                                                       |             | 30 OVER                               | ±0.3  | APPROVED BY<br>ANODA                                                                                                          | DATE<br>2005/11/26 | MATERIAL NO.<br>SEE CHART                                                | DOCUMENT NO.<br>SD-501568-005 | SHEET NO.<br>2 OF 2    |  |
|                                                                                                                       |             | ANGULAR ±3 °                          |       | THIS DRAWING CONTAINS INFORMATION THAT IS PROPRIETARY TO MOLEX INCORPORATED AND SHOULD NOT BE USED WITHOUT WRITTEN PERMISSION |                    |                                                                          |                               |                        |  |
| DRAFT WHERE APPLICABLE MUST REMAIN WITHIN DIMENSIONS                                                                  |             |                                       |       |                                                                                                                               |                    |                                                                          |                               |                        |  |