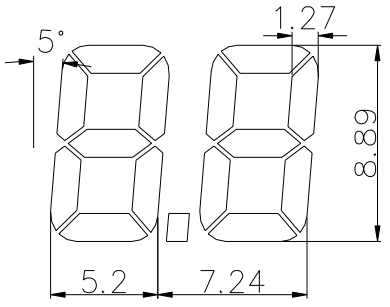


PIN	1	2	3	4	5	6	7	8	9	10	11	12
BP	1E	1D	1C	DP1	2E	2D	2C	DP2	3E	3D	3C	3B
PIN	13	14	15	16	17	18	19	20	21	22	23	24
BP	3A	3F	3G	2B	2A	2F	2G	1B	1A	1F	1G	BP



- NOTES:
1. TOLERANCES UNLESS OTHERWISE SPECIFIED:  $\pm 0.20$
  2. VIEWING ANGLE: 6 O'CLOCK
  3. POLARIZER: REFLECTIVE
  4. DUTY CYCLE: STATIC
  5. DRIVING VOLTAGE: 5.0V
  6. OPERATING TEMPERATURE: 0°C TO 50°C
  7. STORAGE TEMPERATURE: -15°C TO 60°C

AZ Displays, Inc.		
DRAWN BY: X.J.	TITLE: CD-342AP	SCALE:
CHECKED BY: H.L.P.	UNIT: MM	SIZE:
APP BY:	DATE: MAY 21, 99	SHEET 1 OF 1