



SP12T Electromechanical Relay Switch DC to 12.4 GHz,  
SMA, 240 Watts, 28V Control, 30V Indicator with Latching

TECHNICAL DATA SHEET PE71S6082

The PE71S6082 is a SINGLE POLE TWELVE THROW TERMINATED RF COAXIAL RELAY SWITCH that operates from DC TO 12.4 GHz. The Switch has a 28 VDC LATCHING ACTUATOR. The Switch has SMA RF CONNECTORS and operates from -40 Deg C to +85 Deg C.

**Features**

- Single Pole Twelve Throw Relay Switch
- DC to 12.4 GHz Frequency Range
- 2M Operating Life
- 120 Watt Avg Power Min
- -40 to +85 Deg C Operating Temperature
- Insertion Loss 0.7 dB Max
- VSWR 1.8:1 Max

**Applications**

- High Performance Relay Switch
- Military Communications
- Communications Systems
- Test & Measurement

**Electrical Specifications**

Frequency Range	DC to 12.4 GHz
Impedance	50 Ohms
Actuator	Latching
Actuating Current	500 mA
Control Voltage	28 Volts / Negative Common
Indicator Rating	1 Watts / 30 Volts / 100 mA
Self Cut-Off Time	40 ms < CT < 120 ms

**RF Characteristic**

Description	Band 1	Band 2	Band 3	Band 4	Band 5	Units
Frequency Range	DC to 3	3 to 8	8 to 12.4			GHz
VSWR	1.2:1	1.4:1	1.8:1			
Insertion Loss	0.2	0.35	0.7			dB
Isolation	80	70	60			dB
Average Power @25 °C	240	150	120			Watts

**Mechanical Specifications**

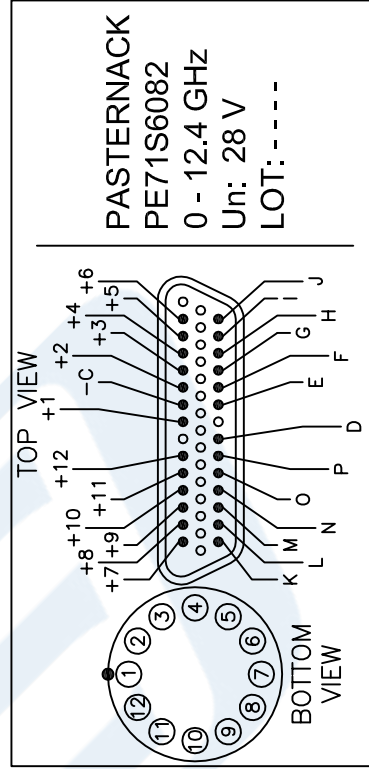
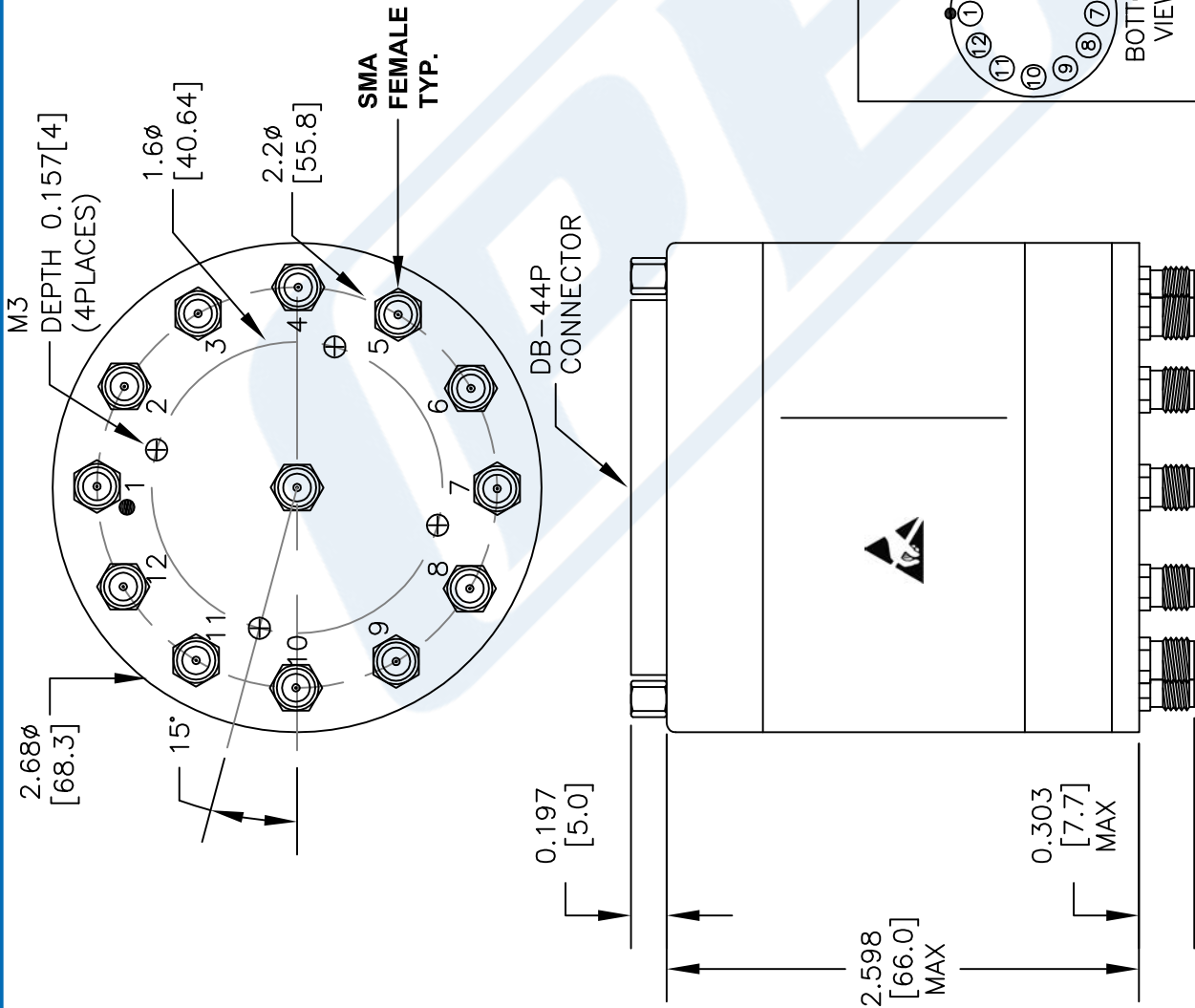
Connector Type	SMA Female
Operating Life	2,000,000
Terminals	44 Pin D-Sub male
Switching Time (nominal voltage, 25°C)	<50 ms Typ
Construction	Splashproof

Click the following link (or enter part number in "SEARCH" on website) to obtain additional part information including price, inventory and certifications: [SP12T Electromechanical Relay Switch DC to 12.4 GHz, SMA, 240 Watts, 28V Control, 30V Indicator with Latching PE71S6082](#)



# PE71S6082 CAD Drawing

SP12T Electromechanical Relay Switch DC to 12.4 GHz, SMA,  
240 Watts, 28V Control, 30V Indicator with Latching



PASTERNAK  
PE71S6082  
0 - 12.4 GHz  
Un: 28 V  
LOT: - - - -

NOTES:  
1. UNLESS OTHERWISE SPECIFIED ALL DIMENSIONS ARE NOMINAL.  
2. ALL SPECIFICATIONS ARE SUBJECT TO CHANGE WITHOUT NOTICE AT ANY TIME.  
3. DIMENSIONS ARE IN INCHES [mm].

DWG TITLE  
**PE71S6082**

FSCM NO. 53919

CAD FILE 120214

SCALE N/A

SIZE A

150

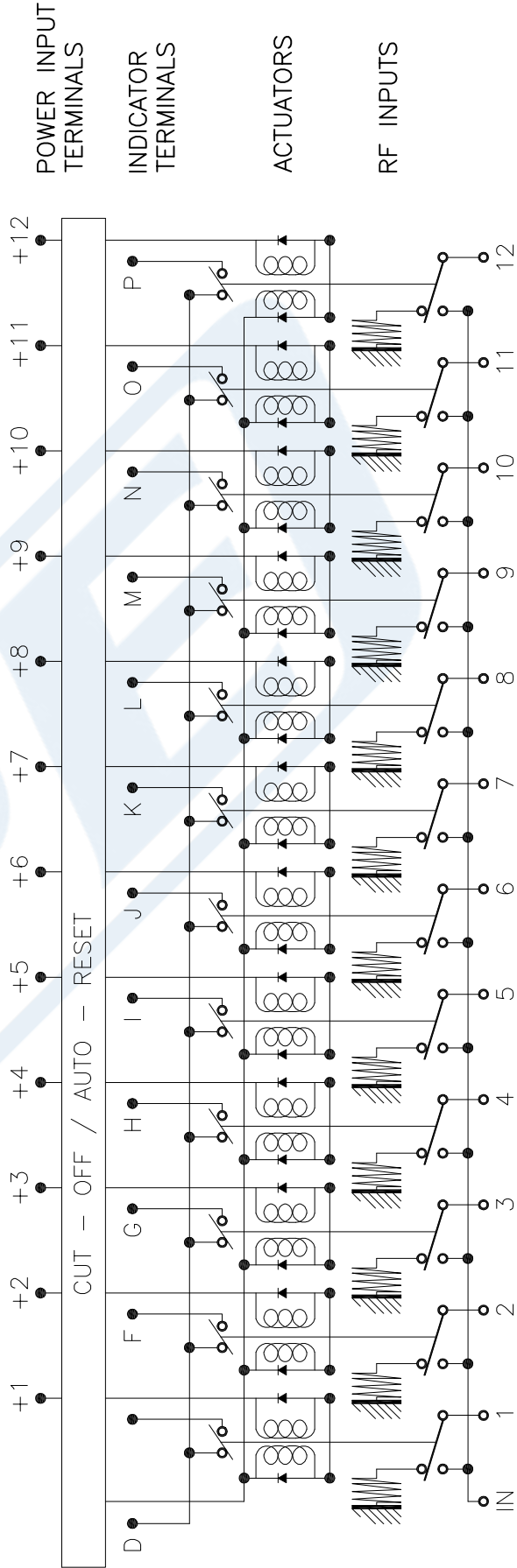
**PE PASTERNAK**  
THE ENGINEER'S RF SOURCE  
Pasternack Enterprises, Inc.  
P.O. Box 16759 | Irvine | CA | 92623  
Phone: (949) 261-1920 | Fax: (949) 261-7451  
Website: www.pasternack.com | E-Mail: sales@pasternack.com

# PE71S6082 CAD Drawing

SP12T Electromechanical Relay Switch DC to 12.4 GHz, SMA,  
240 Watts, 28V Control, 30V Indicator with Latching

Voltage	RF Continuity	Indicator
- C + 1	IN ↔ 1	D.E
- C + 2	IN ↔ 2	D.F
- C + 3	IN ↔ 3	D.G
- C + 4	IN ↔ 4	D.H
- C + 5	IN ↔ 5	D.I
- C + 6	IN ↔ 6	D.J
- C + 7	IN ↔ 7	D.K
- C + 8	IN ↔ 8	D.L
- C + 9	IN ↔ 9	D.M
- C + 10	IN ↔ 10	D.N
- C + 11	IN ↔ 11	D.O
- C + 12	IN ↔ 12	D.P

SCHEMATIC DIAGRAM



NOTES:  
1. UNLESS OTHERWISE SPECIFIED ALL DIMENSIONS ARE NOMINAL.  
2. ALL SPECIFICATIONS ARE SUBJECT TO CHANGE WITHOUT NOTICE AT ANY TIME.  
3. DIMENSIONS ARE IN INCHES (mm).

DWG TITLE  
**PE71S6082**

**PE PASTERNAK**  
THE ENGINEER'S RF SOURCE  
Pasternack Enterprises, Inc.  
P.O. Box 16759 | Irvine | CA | 92623  
Phone: (949) 261-1920 | Fax: (949) 261-7451  
Website: www.pasternack.com | E-Mail: sales@pasternack.com

CAD FILE 120214 SCALE N/A

FSCM NO. 53919

SIZE A 150