

PLEASE CHECK WWW.MOLEX.COM FOR LATEST PART INFORMATION

Part Number: **0524181490**
Status: **Active**
Description: 2.00mm (.079") Pitch Board-to-Board Receptacle, Right Angle, Single Row, Friction Lock, 14 Circuits, Tube Package

Documents:

[3D Model](#)
[Drawing \(PDF\)](#)
[Product Specification PS-52418-002 \(PDF\)](#)
[Product Specification PS-52418-003 \(PDF\)](#)
[RoHS Certificate of Compliance \(PDF\)](#)

General

Product Family PCB Receptacles
 Series **52418**
 Application Board-to-Board
 Product Name N/A

Physical

Circuits (Loaded) 14
 Color - Resin Natural
 Durability (mating cycles max) 30
 Glow-Wire Compliant No
 Lock to Mating Part Yes
 Material - Metal Phosphor Bronze
 Material - Plating Mating Tin
 Material - Plating Termination Tin
 Material - Resin Polyester
 Number of Rows 1
 Orientation Right Angle
 PCB Locator No
 PCB Retention Yes
 PCB Thickness Recommended (in) 0.062 In
 PCB Thickness Recommended (mm) 1.60 mm
 Packaging Type Tube
 Pitch - Mating Interface (in) 0.079 In
 Pitch - Mating Interface (mm) 2.00 mm
 Plating min: Mating (µin) 36
 Plating min: Mating (µm) 0.90
 Plating min: Termination (µin) 36
 Plating min: Termination (µm) 0.90
 Polarized to PCB No
 Surface Mount Compatible (SMC) No
 Temperature Range - Operating -40°C to +105°C
 Termination Interface: Style Through Hole - Kinked Pin

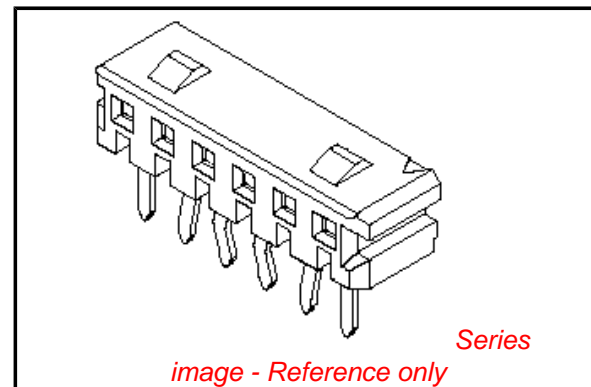
Electrical

Current - Maximum per Contact 1.5A
 Voltage - Maximum 125V

Material Info

Reference - Drawing Numbers

Product Specification PS-52418-002, PS-52418-003, RPS-52418-001, RPS-52418-004
 Sales Drawing SD-52418-**90



EU RoHS

ELV and RoHS Compliant
REACH SVHC Contains SVHC: No
Halogen-Free Status

China RoHS



Not Reviewed
Need more information on product environmental compliance?

Email productcompliance@molex.com
 For a multiple part number RoHS Certificate of Compliance, [click here](#)

Please visit the [Contact Us](#) section for any non-product compliance questions.

Search Parts in this Series

52418Series

Mates With

53290

This document was generated on 04/16/2010

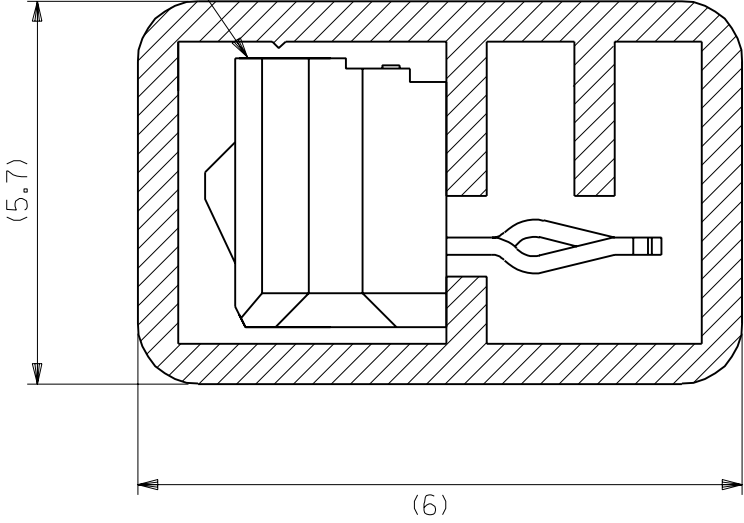
PLEASE CHECK WWW.MOLEX.COM FOR LATEST PART INFORMATION

ENG. NO
SD-52418-**-90

EDP NO.

MM : DIMENSIONS IN METRIC DO NOT SCALE DRAWING

REV



注 記 NOTES

- ステイック両端はキャップ止め。
BOTH ENDS WITH CAPS.
- 全長 : 600⁺²
LENGTH: 600⁺²
- 肉厚 : 0.6
THICKNESS: 0.6

角度	ANGLE	±3°
以上	OVER	±0.3
10以上	OVER	未満 ±0.25
10未満	UNDER	±0.2
一般公差	GENERAL TOLERANCES	

変更	REVISED	T.I	'93/9/23
新規作成	RELEASED	M.F	'93/9/23
変更内容	REVISION RECORD	S.A	'90/7/12
記号	DR	CHK.	DATE
LTR			

材料	MATERIAL	ステイック : ポリ塩化ビニル STICK : PVC
仕上げ	FINISH	—#—
適用電線範囲	WIRE RANGE	—#—
被覆外径	INS. RANGE	—#—
DRAWN BY	S.AIHARA	CHK'D BY '93/9/23 T.IITO
APP'D BY	M.FUKUSHIMA	尺度 SCALE —#—

梱包数	QUANTITY	52418-2090	20
極数	CKT.	4	19
ENG. NO.	SD-52418-**-90	REV	A
TITLE	名称 : STICK PACKAGING	FOR 52418-**-10	

MOLEX-JAPAN CO.,LTD.
moLEX 日本モレックス株式会社

13	52418-2090	20
14	- 1990	19
15	- 1890	18
15	- 1790	17
16	- 1690	16
17	- 1590	15
19	- 1490	14
20	- 1390	13
22	- 1290	12
24	- 1190	11
26	- 1090	10
28	- 0990	9
32	- 0890	8
36	- 0790	7
41	- 0690	6
49	- 0590	5
59	- 0490	4
75	52418-0390	3