

RoHS Compliant

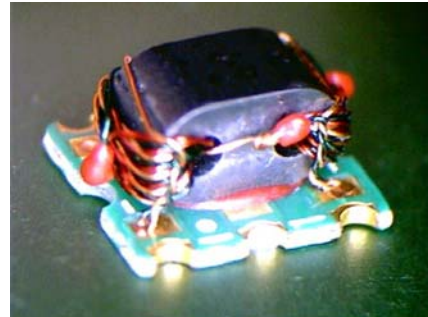


9:1 Transmission Line Step-up Transformer 5-220MHz

MABA-007488-CT9550
V1P

Features

- Surface Mount
- 9:1 Impedance
- Excellent amplitude and phase balance
- Can be used in both 50 Ω and 75 Ω systems
- 260°C Reflow Compatible
- RoHS* Compliant
- RoHS version of MABAES0022
- Available on Tape and Reel. Reel quantity 900



Description

M/ACom's MABA-007488-CT9550 is a 9:1 Transmission Line step up transformer in a low cost, surface mount package. Ideally suited for high volume

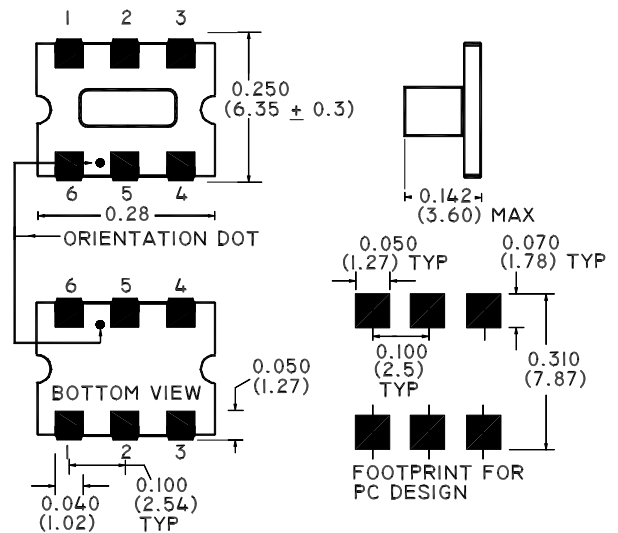
Pin Configuration

Function	Config 1 Pin No.	Config 2 Pin No.
Input	6	4
Output 1	1	3
Output 2	3	1
Ground	4	6
Not connected	2,5	2,5

Ordering Information

Part Number	Package
MABA-007488-CT9550TR	900 piece reel
MABA-007488-CT95TB	Customer Test Board

Case Style: SM-55



Dimensions in inches [mm] Tolerance: .xx ± .02, .xxx ± .010

Note: Reference Application Note **M513** for reel size information.

* Restrictions on Hazardous Substances, European Union Directive 2002/95/EC.

1

ADVANCED: Data Sheets contain information regarding a product M/A-COM Technology Solutions is considering for development. Performance is based on target specifications, simulated results, and/or prototype measurements. Commitment to develop is not guaranteed.

PRELIMINARY: Data Sheets contain information regarding a product M/A-COM Technology Solutions has under development. Performance is based on engineering tests. Specifications are typical. Mechanical outline has been fixed. Engineering samples and/or test data may be available. Commitment to produce in volume is not guaranteed.

• North America Tel: 800.366.2266 • Europe Tel: +353.21.244.6400
 • India Tel: +91.80.4155721 • China Tel: +86.21.2407.1588

Visit www.macomtech.com for additional data sheets and product information.

M/A-COM Technology Solutions Inc. and its affiliates reserve the right to make changes to the product(s) or information contained herein without notice.

RoHS Compliant



9:1 Transmission Line Step-up Transformer
5-220MHz

MABA-007488-CT9550
V1P

Electrical Specifications: $T_A = 25^\circ\text{C}$, $Z_0 = 75\Omega$

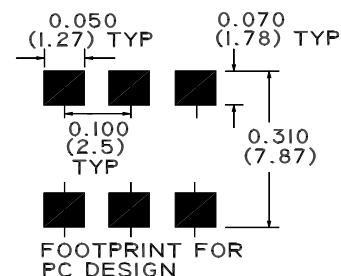
Parameter	Units	Typical	Minimum	Maximum
Frequency Range 5-220	MHz			
Insertion Loss 1 {From Pin 6 to 1 & From Pin 4 to 3} (Short Connections)				
5 - 155 MHz	dB	0.2	—	0.5
155-220 MHz	dB	0.8	—	1.0
Amplitude Imbalance 1				
5 - 55 MHz	dB	0.03	—	0.2
55 -155 MHz	dB	0.04	—	0.3
155 -220 MHz	dB	0.14	—	0.5
Phase Imbalance 1				
5-55 MHz	°	0.5	—	1.0
55 -155 MHz	°	1.1	—	2.0
155 -220 MHz	°	1.5	—	2.5
Insertion Loss 2 {From Pin 6 to 3 & From Pin 4 to 1} (Cross connections)				
5 - 55 MHz	dB	0.8	—	1.0
55-100 MHz	dB	1.0	—	1.2
100-220 MHz	dB	1.4	—	1.8
Amplitude Imbalance 2				
5 - 55 MHz	dB	0.03	—	0.2
55 -155 MHz	dB	0.04	—	0.3
155 -220 MHz	dB	0.14	—	0.5
Phase Imbalance 2				
5-55 MHz	°	1.0	—	2.0
55 -100 MHz	°	1.4	—	3.0
100 -220 MHz	°	2.5	—	4.0
Input Return Loss	dB	10	8	—

Absolute Maximum Ratings ^{1,2}

Parameter	Absolute Maximum
Max Input Power	250mW
DC current	30mA
Operating Temperature	-20°C to +85°C
Storage Temperature	-55°C to +100°C

- Exceeding any one or combination of these limits may cause permanent damage to this device.
- M/A-COM does not recommend sustained operation near these survivability limits.

Recommended PCB Configuration



2

ADVANCED: Data Sheets contain information regarding a product M/A-COM Technology Solutions is considering for development. Performance is based on target specifications, simulated results, and/or prototype measurements. Commitment to develop is not guaranteed.

PRELIMINARY: Data Sheets contain information regarding a product M/A-COM Technology Solutions has under development. Performance is based on engineering tests. Specifications are typical. Mechanical outline has been fixed. Engineering samples and/or test data may be available. Commitment to produce in volume is not guaranteed.

• North America Tel: 800.366.2266 • Europe Tel: +353.21.244.6400
• India Tel: +91.80.4155721 • China Tel: +86.21.2407.1588

Visit www.macomtech.com for additional data sheets and product information.

M/A-COM Technology Solutions Inc. and its affiliates reserve the right to make changes to the product(s) or information contained herein without notice.

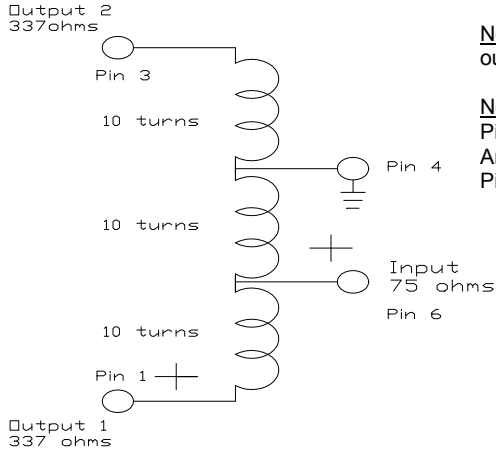
RoHS Compliant



9:1 Transmission Line Step-up Transformer 5-220MHz

MABA-007488-CT9550
V1P

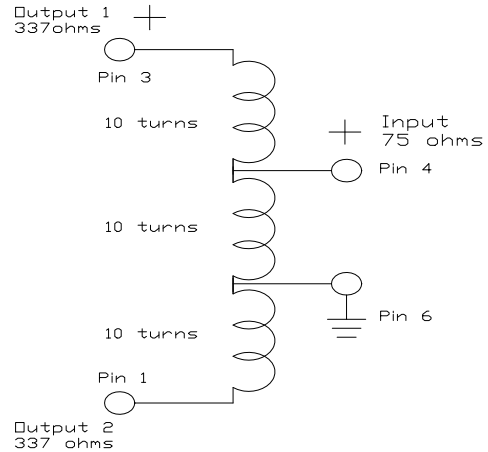
Schematic for Config 1



Note: Terminate unused output

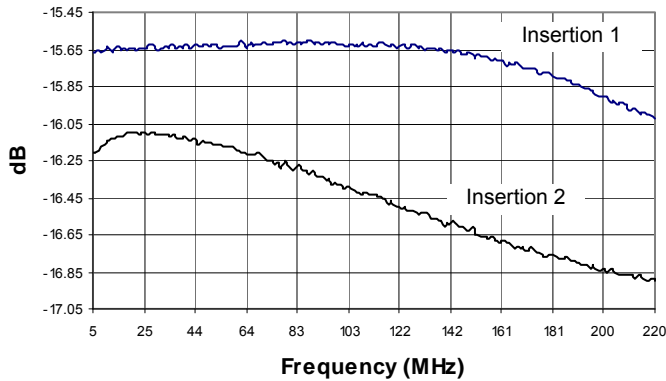
Note: When Pin 4 is the I/P
Pin 6 is ground
And when Pin 6 is the I/P
Pin 4 is ground.

Schematic for Config 2

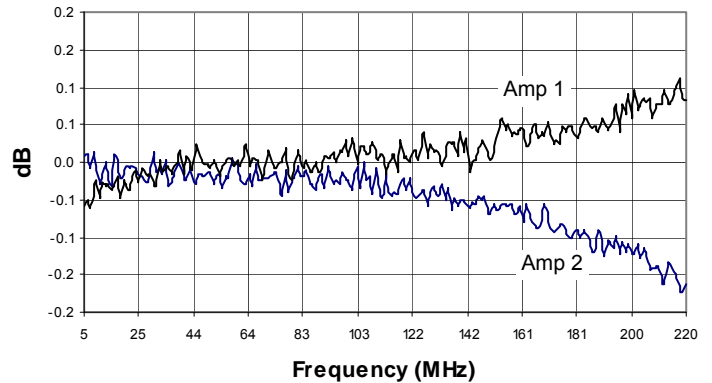


Typical Performance Curves: $T_A = 25^\circ\text{C}$, $Z_0 = 75\Omega$

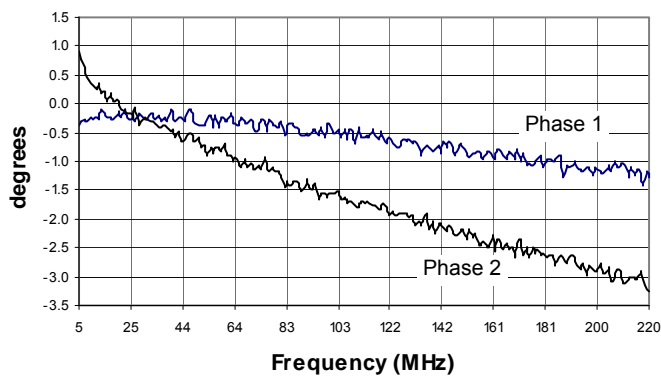
Insertion Loss 1 & 2 (Reference Value -15.45dB)



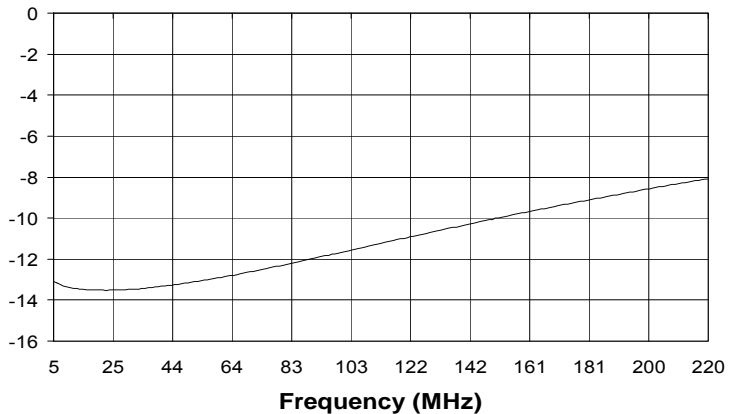
Amplitude Unbalance



Phase Balance



Input Return Loss



3

ADVANCED: Data Sheets contain information regarding a product M/A-COM Technology Solutions is considering for development. Performance is based on target specifications, simulated results, and/or prototype measurements. Commitment to develop is not guaranteed.

PRELIMINARY: Data Sheets contain information regarding a product M/A-COM Technology Solutions has under development. Performance is based on engineering tests. Specifications are typical. Mechanical outline has been fixed. Engineering samples and/or test data may be available. Commitment to produce in volume is not guaranteed.

• North America Tel: 800.366.2266 • Europe Tel: +353.21.244.6400
• India Tel: +91.80.4155721 • China Tel: +86.21.2407.1588

Visit www.macomtech.com for additional data sheets and product information.

M/A-COM Technology Solutions Inc. and its affiliates reserve the right to make changes to the product(s) or information contained herein without notice.