

## Features:

- Low Optical Insertion Loss
- Cost-effective CWDM technology
- Terminates four wavelengths
- SC or LC connectors for interfacing
- Reliable passive WDM optical technology
- Ring or point-to-point applications
- Low-profile modular design
- Compliance with RoHS

## CWDM MUX/DEMUX-4-2 Optibox Module



The Finisar MUX/DEMUX-4-2 optibox module is a passive optical multiplexer/demultiplexer designed for metro access applications that represents the state of the art in fiber optics design. The MUX/DEMUX-4-2 optibox module multiplexes and demultiplexes four CWDM wavelength channels from a two-fiber circuit. Finisar's design allows the creation of cost-effective unidirectional network traffic rings or point-to-point links.

Multiplexed wavelengths are interfaced to any of Finisar's CWDM transceivers on the equipment side. A grid of eight CWDM wavelengths is available from Finisar.

The Finisar MUX/DEMUX optibox module delivers dramatic cost savings to network equipment manufacturers, enabling them to develop metro access systems that are lower in cost, easier to provision and simpler to operate.

## MUX/DEMUX-4-2 Optibox Module

### Specifications

#### Mechanical

##### Dimensions:

5.5" x 3.2" x 0.5",  
139mm x 81mm x 13mm

##### Connectors:

- SC or LC connectors

#### Optical

##### Center Wavelengths:

MUX/DEMUX-4-2 Optibox

- 1491 nm
- 1531 nm
- 1571 nm
- 1611 nm

##### Directivity:

≥ 55 dB

##### Return Loss:

≥ 45 dB

##### Passband Ripple:

≤ 0.5dB

##### PDL:

≤ 0.15dB

##### PMD:

≤ 0.2 ps

##### Environmental:

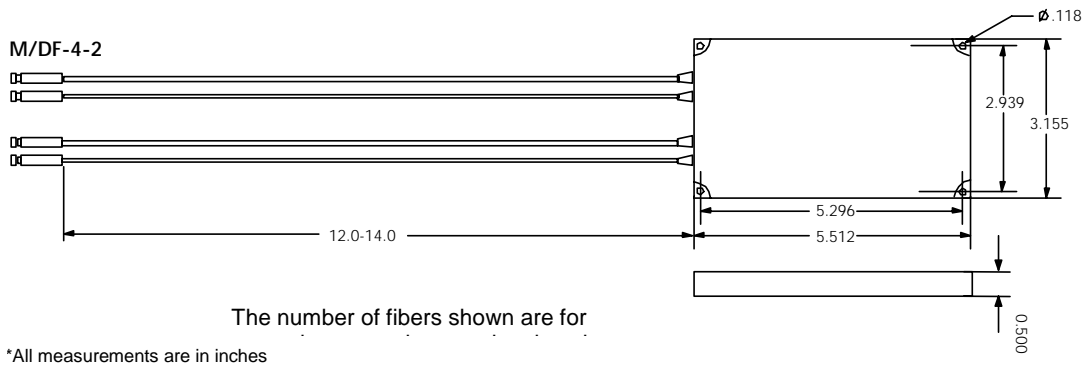
- Operating 0 to 70°C,
- Relative humidity: 10 to 85%, non-condensing
- Storage - 40 to 85°C

## MUX/DEMUX-4-2 Optibox Module Parameter Specifications

Passband	Max Insertion Loss (dB)		Min Isolation (dB)	
	Mux	Demux	Mux	Demux
+/- 6.5nm	2.30	2.30	30	50

**Note:** Connector loss included.

### Dimensions (Unit: inch)



## Ordering Information

### Part Number Description

M/DF-4-2-LC	Four Wavelength MUX/DEMUX Optibox Module, LC connectors, 1491nm, 1531nm, 1571nm, 1611nm.
M/DF-4-2-SC	Four Wavelength MUX/DEMUX Optibox Module, SC connectors, 1491nm, 1531nm, 1571nm, 1611nm.