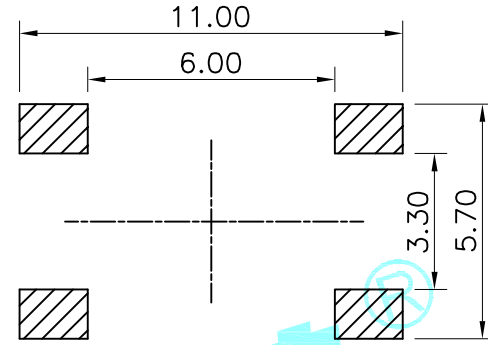
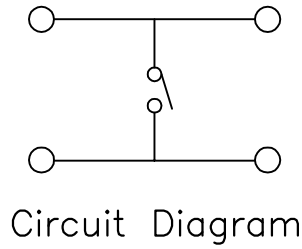
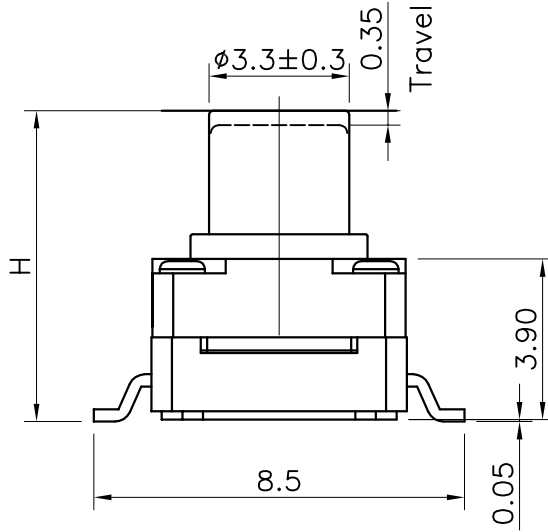
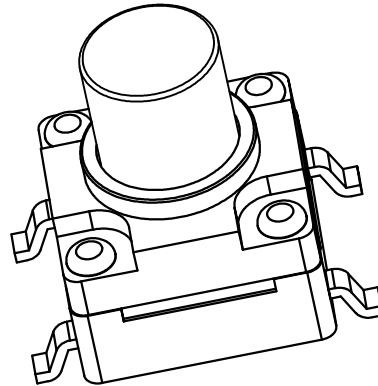
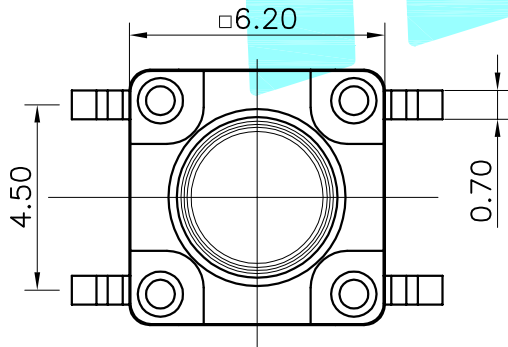
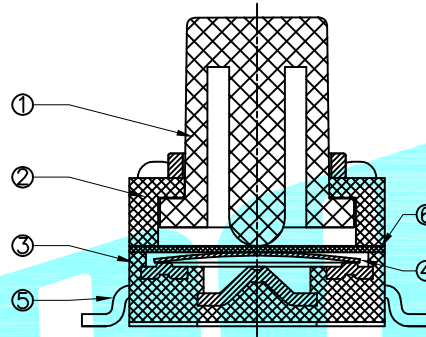


ROHS



PCB Layout(Pattern side)



NOTE:Waterproof:IEC IP67

NO.1			
PART NO	H	PART NO	H
A	4.3	O	11
B	4.5	P	11.5
C	5	Q	12
D	5.5	R	12.5
E	6	S	13
F	6.5	T	13.5
G	7	U	14
H	7.5	V	15
I	8	W	16
J	8.5	X	17
K	9	Y	18
L	9.5	Z	19
M	10	1	15.5
N	10.5	2	16.5

NO.2	
PART NO	vigor
4	250±30
5	350±50

NO.3	
PART NO	MATERIAL/QTY
S	SUS/1PC

NO.5-NO.6	
PART NO	NOTE
01~99	SERIAL NUMBER

⑥	Waterproof Silicone	—	1	Silica gel	Yellow	—
⑤	Terminal	—	4	Brass(0.3t)	Plating silver	—
④	Contact	—	1	F.Ag/C5210	Natural	—
③	Base	—	1	Nylon	Black	—
②	Cover	—	1	Nylon	Black	—
①	Keystoke	—	1	Nylon	Black	—
ITEM	PART NAME	TER'NO.	QTY.	MATERIAL	FINISHING	REMARK

APPROVALS			DATE		TITLE: TACT SWITCHS	
DRAWN	J.X.Zhang		2018/8/1		PART NO. K2-1839SP-□□SW-□□	
CHECKED					UNIT: mm SCALE: 1:1 PROJ:	
APPROVALS					DRAWING NO. SHEET 1 OF 1	
TOLERANCES ARE			30~以上	±0.30	ANGLE	DRAWING NO. SHEET 1 OF 1
			10~30	±0.20		
			5~10	±0.15		
			~ 5	±0.10		

ECN NO.	REV.	DATE.	DESCRIPTION.	CHANGE.	CHECK.	APPRO.
	A		NEW			

HRD
ELECTRONICS CO.,LTD