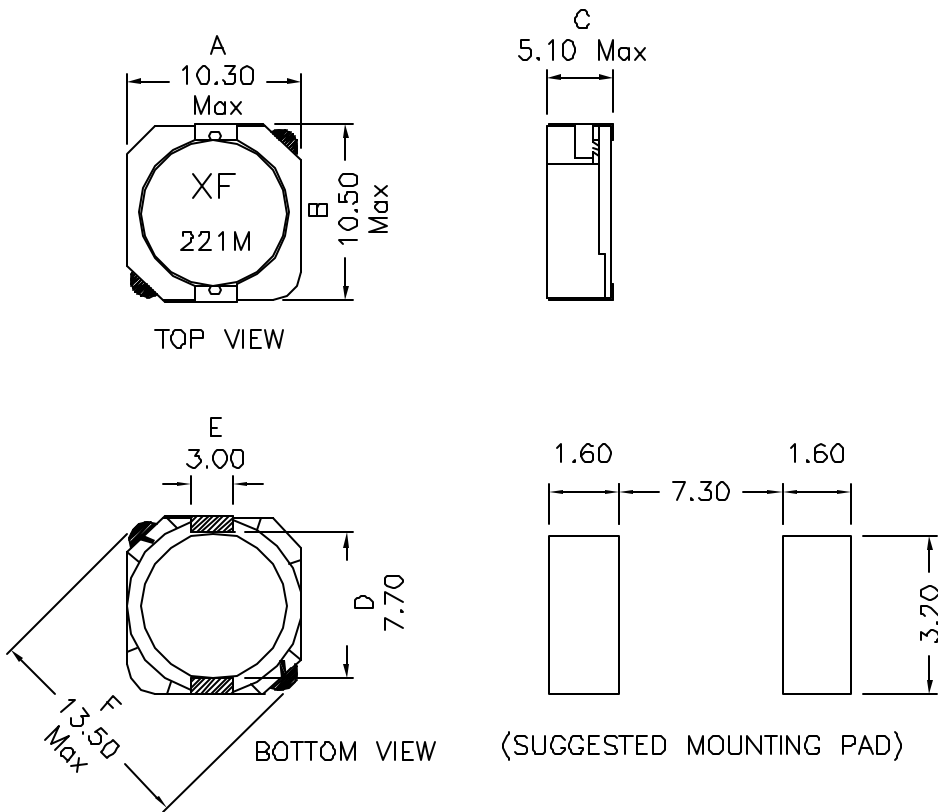
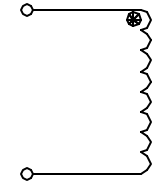


1. Mechanical Dimensions:



2. Schematic:



3. Electrical Specification:

OCL: 220uH±20% @100KHz, 0.1V

Q: 50 Min @100KHz, 0.1V

DCR: 500 mOhms Max

Irated: 1.18A (Based on 40°C Temp Rise)

Isat: 0.95Adc (Based on 30% drop in OCL)

SRF: 4.5MHz Typ

Notes:

- Solderability: Leads shall meet MIL-STD-202G, Method 208H for solderability.
- Flammability: UL94V-0
- ASTM oxygen index > 28%
- Insulation System: Class F 155°C. UL file E151556
- Operating Temperature Range: All listed parameters are to be within tolerance from -40°C to +85°C
- Storage Temperature Range: -55°C to +125°C
- Aqueous wash compatible
- SMD Lead Coplanarity: ±0.004"(0.102mm)
- Electrical and mechanical specifications 100% tested
- RoHS Compliant Component

DOC. REV: A/1

PROPRIETARY Document is the property of XFMRs Group & is not allowed to be duplicated without authorization.

XFMRs Inc www.XFMRs.com	Title: POWER INDUCTORS		
	UNLESS OTHERWISE SPECIFIED	P/N: XFTPRH105-221M	REV. A
TOLERANCES:	DWN.	Xianyi	Jun-09-09
.xx ±0.25	CHK.	YK Liao	Jun-09-09
Dimensions in MM	APP.	Joe Huff	Jun-09-09
SHEET 1 OF 1			