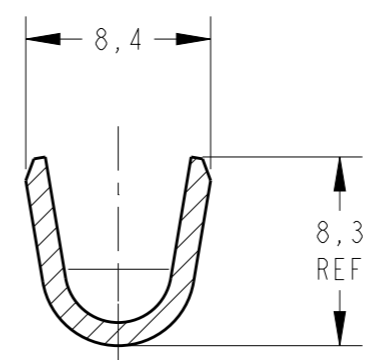
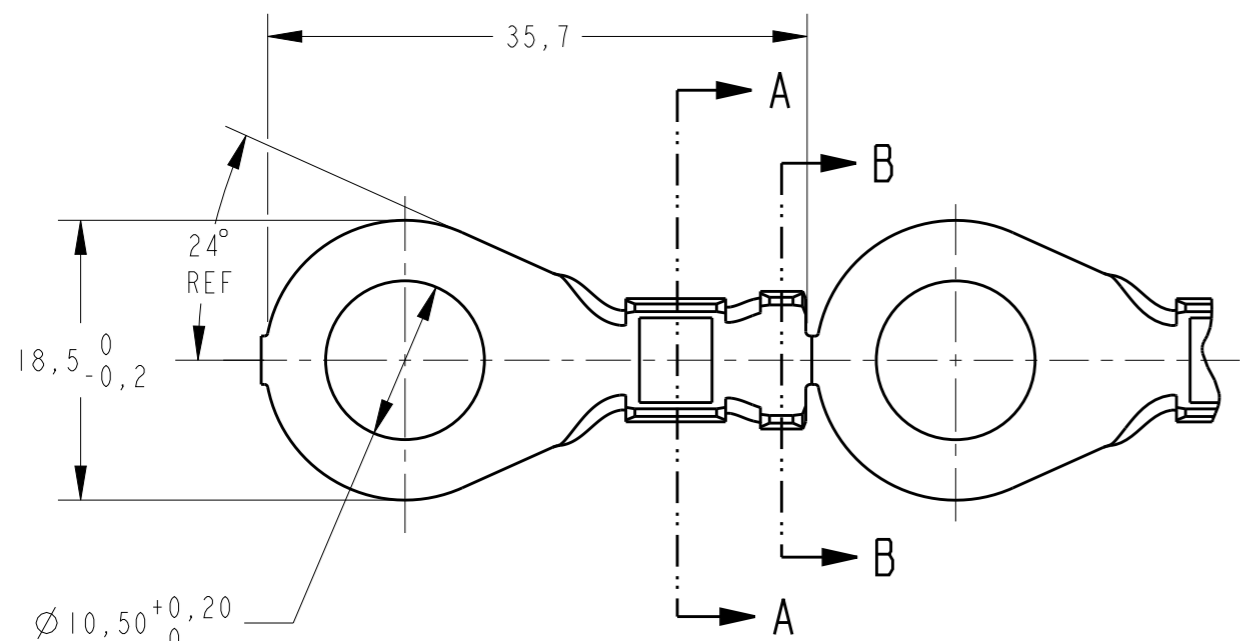


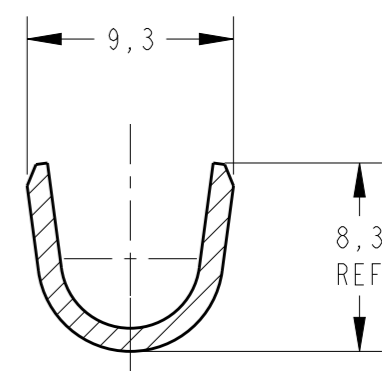
creo
Creo Parametric 2.0
DO NOT REVERSE
EXCEPT BY CAD

REVISIONS

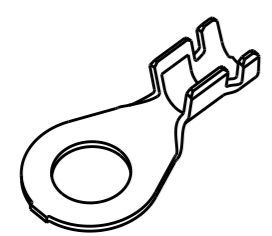
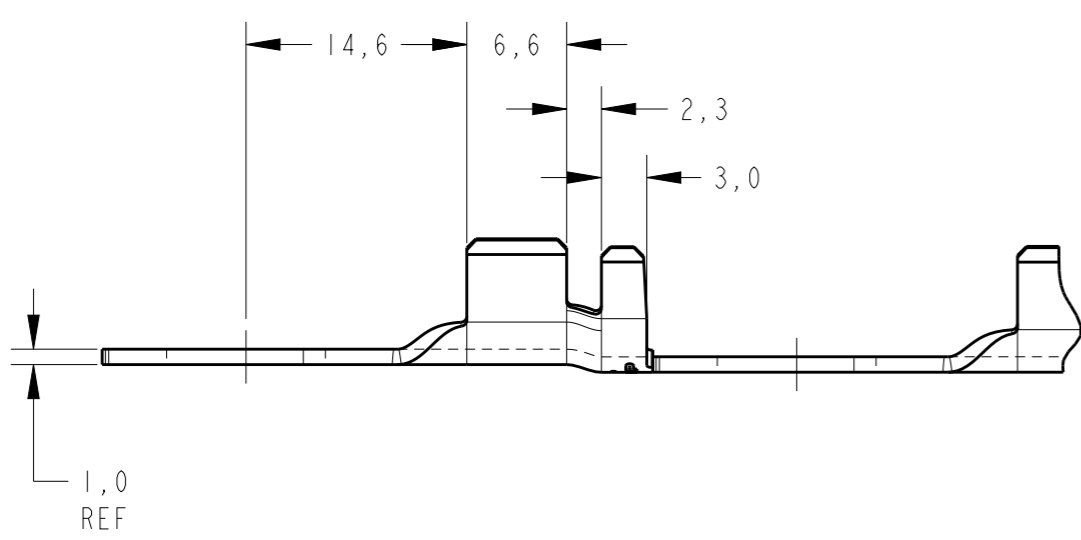
| P | LTR | DESCRIPTION | DATE | DWN | APVD |
|---|-----|-----------------------------|-----------|-----|------|
| | C | REDRAW BY CAD ECO-14-013530 | 08SEP2014 | NCL | LWP |
| | | | | | |
| | | | | | |



SECTION A-A
SCALE 3:1




SECTION B-B
SCALE 3:1



PERSPECTIVE VIEW
SCALE 1:1

| | | | |
|------------|-----------------|---------------|-------------|
| SL D101-26 | ESTANHADO / TIN | LATÃO / BRASS | 881003-2 |
| --- | --- | LATÃO / BRASS | 881003-1 |
| FORD PN | FINISH | MATERIAL | PART NUMBER |

| | | | | | | | |
|--|--|-----------------------------|--|-----------------|---------------------|-----------------|-------|
| THIS DRAWING IS A CONTROLLED DOCUMENT. | | DWN NCLAPRESA 11DEC2012 |  TE Connectivity NAME - RING TONGUE | | | | |
| DIMENSIONS: mm | | CHK JRGOLDSCHMIDT 11DEC2012 | | | | | |
| TOLERANCES UNLESS OTHERWISE SPECIFIED: | | APVD DAOLIVEIRA 11DEC2012 | | | | | |
| 0 PLC ±- 1 PLC ±0,3 2 PLC ±- 3 PLC ±- 4 PLC ±- ANGLES ±1° | | PRODUCT SPEC - | | | | | |
| MATERIAL SEE TABLE | | APPLICATION SPEC - | SIZE A3 | CAGE CODE 00779 | DRAWING NO C-881003 | RESTRICTED TO - | |
| FINISH SEE TABLE | | WEIGHT - | Customer Drawing | | SCALE 2:1 | SHEET 1 OF 1 | REV C |

| | |
|---------------------------------------|-----------------------------|
| WIRE RANGE 6,0-10,0mm ² | INSUL. RANGE Ø 4,6-6,6mm |
|---------------------------------------|-----------------------------|