

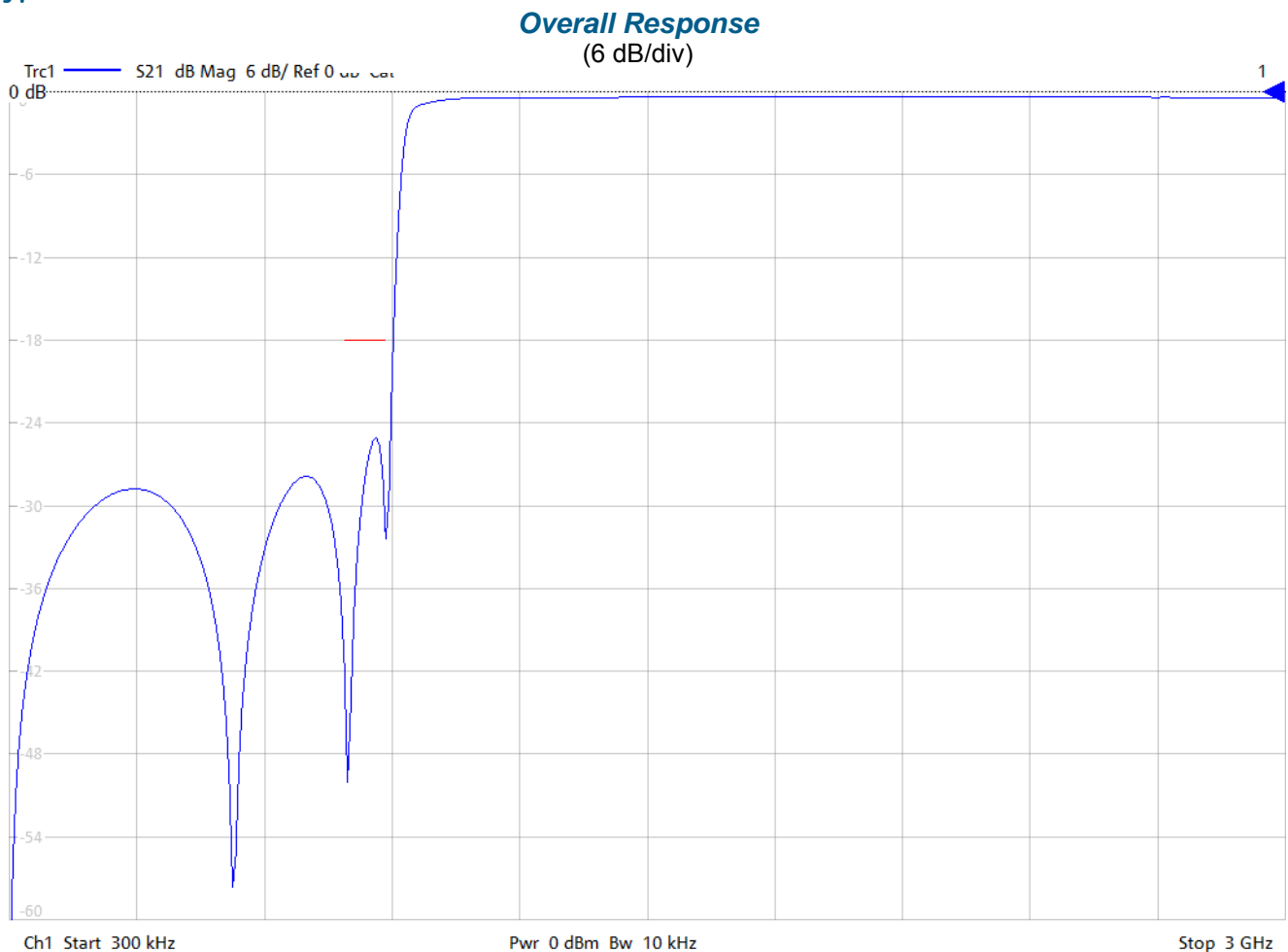
General Description

KR Electronics part number 3338+ is a 968 MHz highpass filter. Other frequencies are available. Please consult the factory.

Features

- 968 MHz Highpass Filter
- Selective Elliptic Type Filter
- 50 Ω Source and Load
- Miniature surface mount package 0.20" x 0.30" x 0.181"

Typical Performance



KR Electronics, Inc.
91 Avenel Street
Avenel, NJ 07001

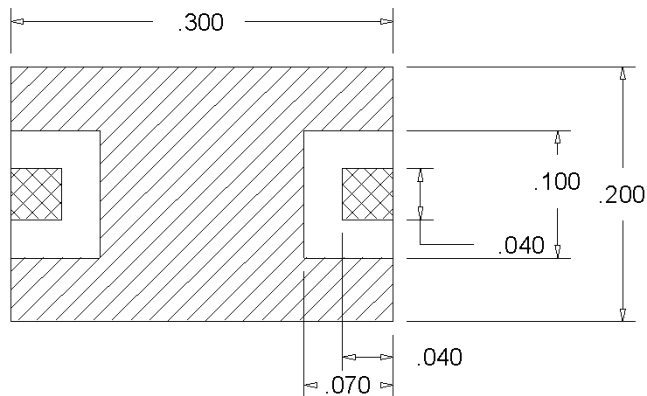
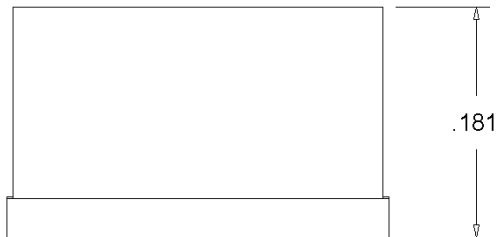
Web www.krfilters.com
Email sales@krfilters.com
Phone (732) 636-1900
Fax (732) 636-1982

KR Electronics 3338+

Specifications

Parameter	Specification	
Filter type	Highpass	
Passband (≤ 2 dB)	967.5 to 3000 MHz	>4000 MHz typical
Reject Band (≥ 18 dB)	dc to 885.5 MHz	
Source and Load	50 Ω	

Physical Dimensions



Notes:

1. Surface mount package
2. Dimensions in inches
3. Tolerance unless noted ± 0.010 "
4. Max reflow temperature 230° C for 10 sec
5. If boards are cleaned after installation units must be completely dried