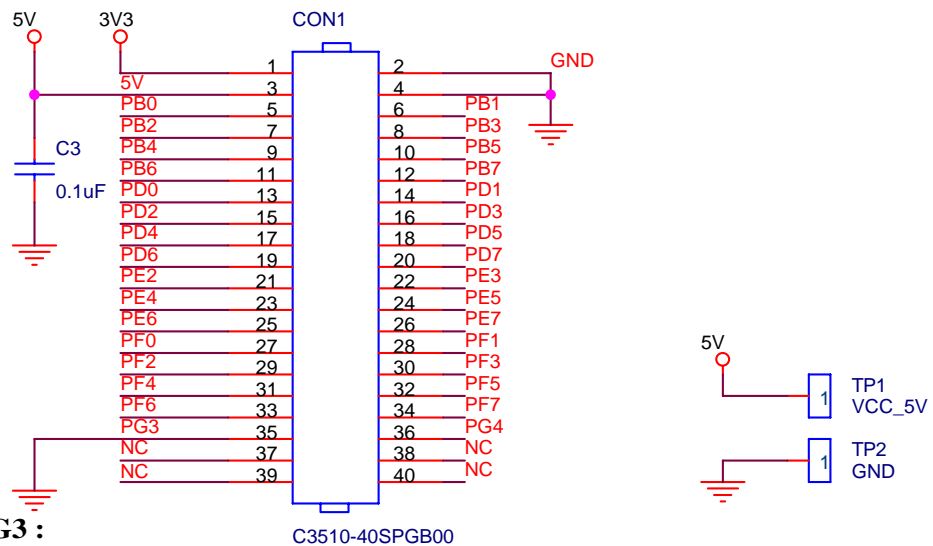
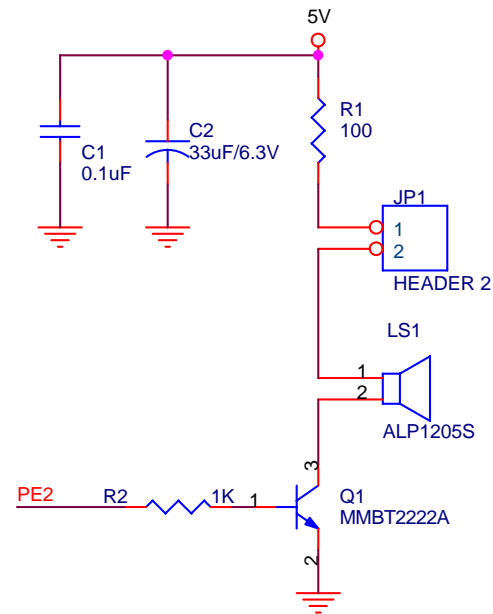


Firmtech [FB80xED_lcd]V1.2

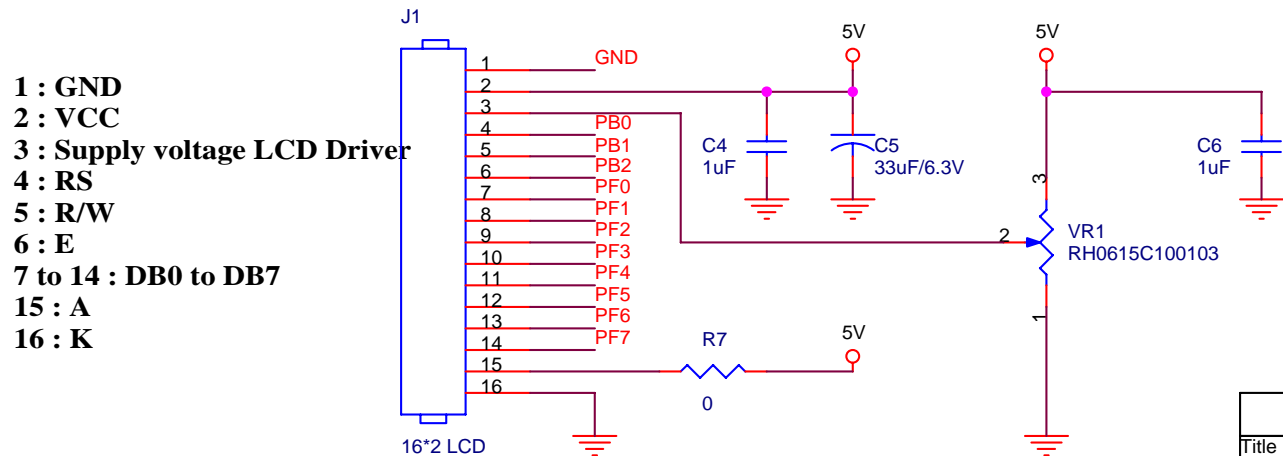


PG3 :
Sub board
sensing
port

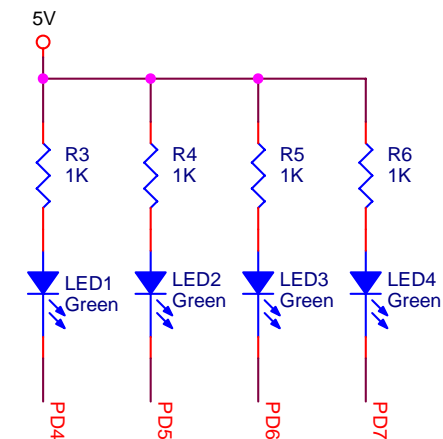
FB800_FB801ED Interface Connector



Buzzer Part



Character LCD part



Firmtech co., Ltd

Title		
FB80xED Character LCD Sub Board		
Size	Document Number	Rev
A	FB80xED_lcd V1.1	1.0
Date:	Friday, August 14, 2009	Sheet 1 of 1