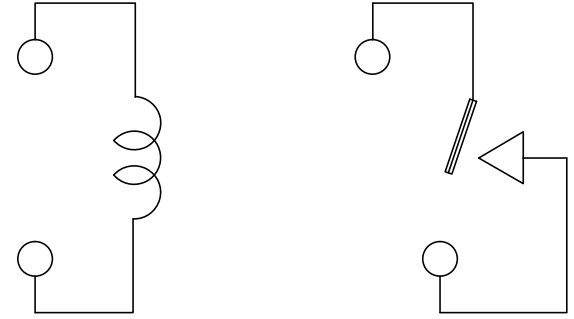
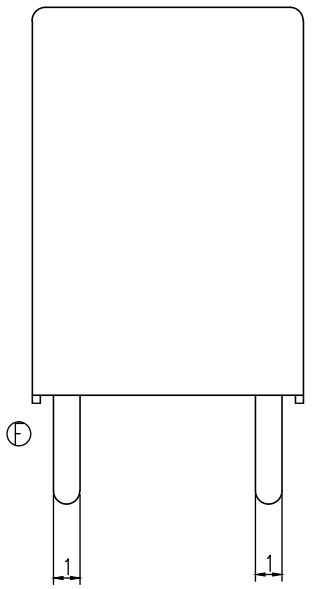
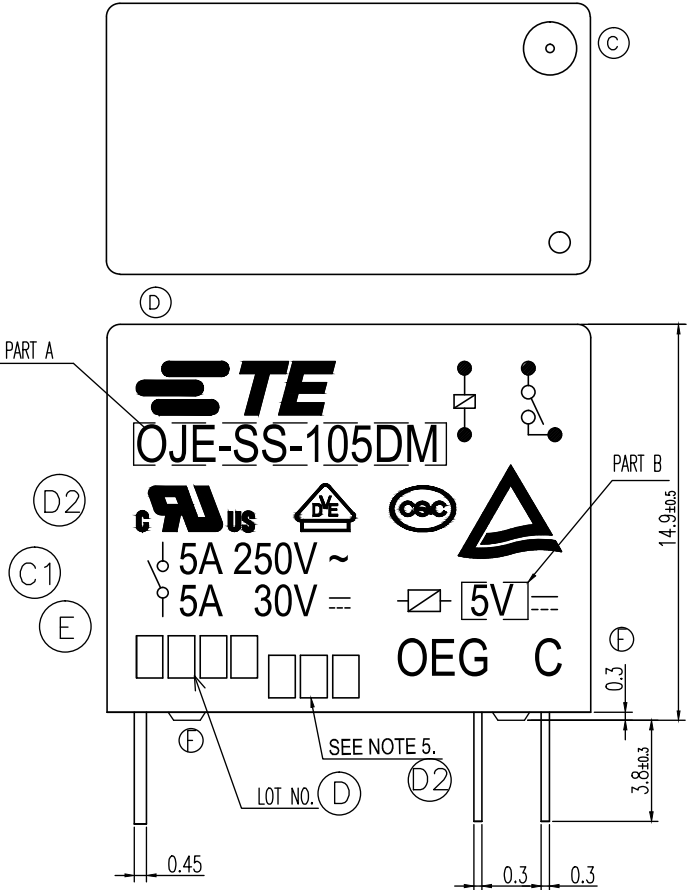


THIS DRAWING IS UNPUBLISHED. RELEASED FOR PUBLICATION
 © COPYRIGHT - By - TE CONNECTIVITY ALL RIGHTS RESERVED.

LOC	DIST	REVISIONS				
P	LTR	DESCRIPTION	DATE	DWN	APVD	
HB	-	F	REMOVED THE RIB ON THE BASE TO CASE ECO-15-011310	03Nov2015	YS.H	CHL



CONNECTION FIGURE

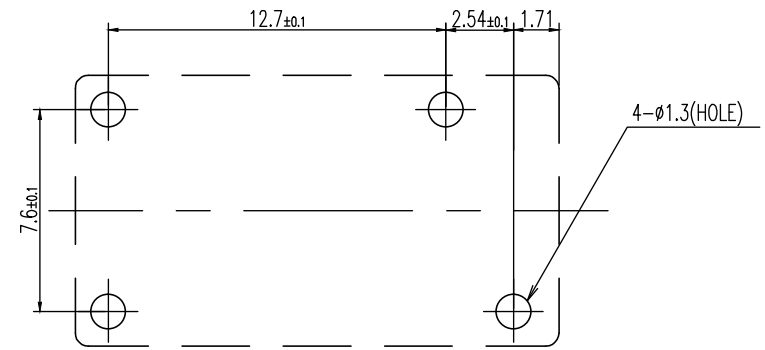
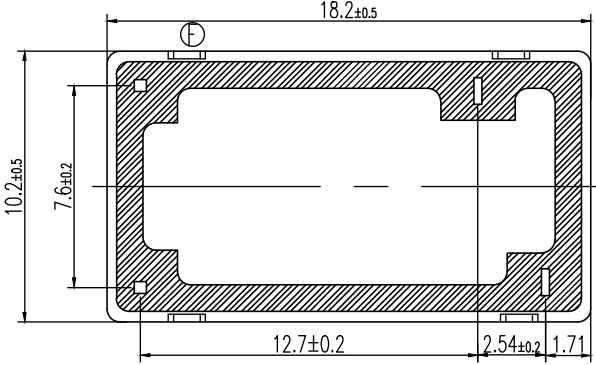


FIGURE FOR PRINTED CIRCUIT BOARD PROCESSING (BOTTOM VIEW)

Diagram dimension	Tolerance
0.99mm max.	±0.1mm
1 - 2.99mm	±0.2mm
3mm min.	±0.3mm



THIS DRAWING IS A CONTROLLED DOCUMENT.		DWN	H.Sasaki	-	TE Connectivity			
DIMENSIONS: mm		CHK	Y.Oikawa	-				
TOLERANCES UNLESS OTHERWISE SPECIFIED:		APVD	A.Nagai	-	NAME			
0 PLC ± - 1 PLC ± - 2 PLC ± - 3 PLC ± - 4 PLC ± - ANGLES ± -		PRODUCT SPEC	-		OJE-SS-DM CUSTOMER DRAWING			
MATERIAL		APPLICATION SPEC	-		SIZE	CAGE CODE	DRAWING NO	RESTRICTED TO
FINISH		WEIGHT	-		A3	00779	1461104	-
		CUSTOMER DRAWING			SCALE	5:1	SHEET	1 OF 2
					REV	F		

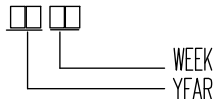
THIS DRAWING IS UNPUBLISHED. RELEASED FOR PUBLICATION - . - .
 © COPYRIGHT - By - TE CONNECTIVITY ALL RIGHTS RESERVED.

LOC	DIST	REVISIONS					
HB	-	P	LTR	DESCRIPTION	DATE	DWN	APVD
		-		SEE SHEET 1	-	-	-

1461104-3	OJE-SS-148DM	108-79033	48V	OJE-SS-148DM	g
6-1419128-2	OJE-SS-124DM	108-79032	24V	OJE-SS-124DM	f
4-1419128-2	OJE-SS-112DM	108-79031	12V	OJE-SS-112DM	e
3-1419128-3	OJE-SS-109DM	108-79030	9V	OJE-SS-109DM	d
3-1419128-1	OJE-SS-106DM	108-79029	6V	OJE-SS-106DM	c
2-1419128-8	OJE-SS-105DM	108-79028	5V	OJE-SS-105DM	b
1461104-1	OJE-SS-103DM	108-79027	3V	OJE-SS-103DM	a
PART NO	TYPE NAME	PRODUCT SPEC	PART B	PART A	TYPE

RELAY TYPE

ⓓ Ⓞ NOTES:
 1. LOT NO. SYSTEM AS FOLLOWING:

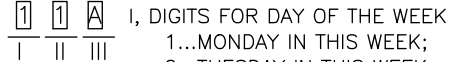


ⓓ 2. TERMINAL DIMENSION IS BEFORE SOLDER DIP;

ⓓ 3. FOR THE TIN-PLATING OF THE PINS:
 +0.1mm FOR WIDTH, THICKNESS AND DIAMETER.
 +0.5mm FOR LENGTH.

Ⓞ ⓓ 4. USED WELDED CONTACT & LASER MARKING.

ⓓ 5. ADD LOT NO. SYSTEM AS FOLLOWING;



I, DIGITS FOR DAY OF THE WEEK
 1...MONDAY IN THIS WEEK;
 2...TUESDAY IN THIS WEEK;

 7...SUNDAY IN THIS WEEK
 II, DIGITS FOR SHIFT OF THE DAY
 1...DAY SHIFT IN THIS DAY;
 2...NIGHT SHIFT IN THIS DAY;
 III, ONE CHARACTER

DISTINGUISH THE LINE
 IDENTITY, SUCH AS: A,B,.....Z

		EPOXY RESIN	SEAL	15
		JUEW	MAGNETIC WIRE	14
94V-0		P.B.T	CASE	13
94V-0		P.B.T	BASE	12
94V-0		P.B.T	BOBBIN	11
	SOLDER DIP	C.P. WIRE	COIL TERMINAL	10
94V-0		P.P.S	CARD	9
		Ag ALLOY	MOVABLE CONTACT	8
		Ag	NO. CONTACT	7
		STEEL	HINGE SPRING	6
	SOLDER DIP	PBP	NO. TERMINAL	5
	SOLDER DIP	PBS	MOVABLE SPRING	4
	NIP	STEEL	CORE	3
	NIP	STEEL	ARMATURE	2
	NIP	STEEL	YOKE	1
INCOMBUSTIBILITY	TREATMENT	MATERIAL	DESCRIPTION	ITEM

THIS DRAWING IS A CONTROLLED DOCUMENT.		DWN	H.Sasaki	-
DIMENSIONS: mm		CHK	Y.Oikawa	-
TOLERANCES UNLESS OTHERWISE SPECIFIED:		APVD	A.Nagai	-
0 PLC ± -		PRODUCT SPEC	NAME	
1 PLC ± -		APPLICATION SPEC	OJE-SS-DM CUSTOMER DRAWING	
2 PLC ± -			SIZE	A3
3 PLC ± -			CAGE CODE	00779
4 PLC ± -			DRAWING NO	1461104
ANGLES ± -		WEIGHT	RESTRICTED TO	
FINISH		CUSTOMER DRAWING		
MATERIAL		SCALE 5:1 SHEET 2 OF 2 REV F		

