

# 5W Small AC Adaptors with Worldwide Input ADP-G2 Series

## OUTLINE

Ultra-small inlet type AC adaptor with 5W output capacity. Can meet safety standards for all destinations.



## FEATURES

1. Standard Mitsumi case.
2. Input voltage supports worldwide input.
3. Output specifications can be customized.

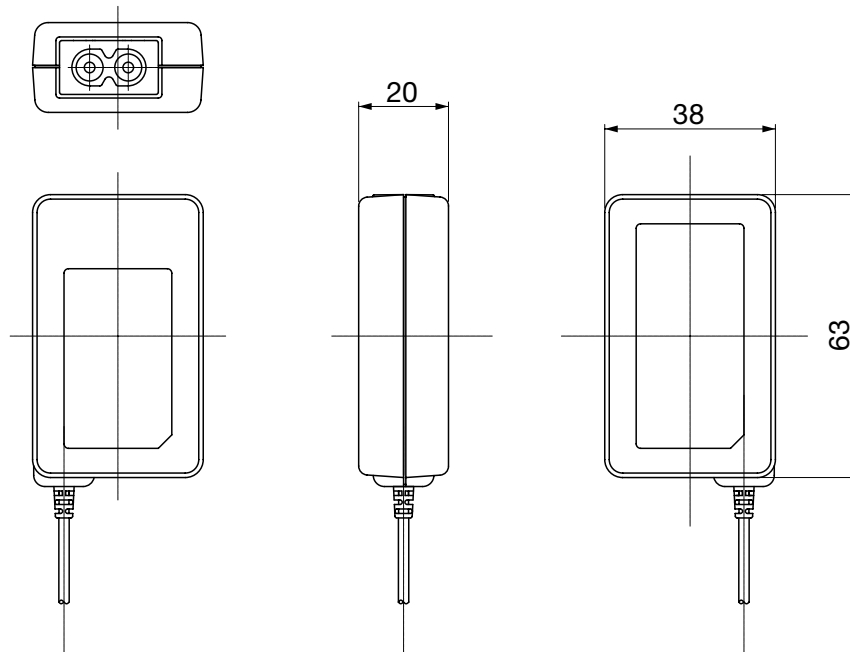
## USES

1. Small electronic equipment.
2. Mobile telephones.

## SPECIFICATIONS

Item	Specifications
Input voltage	AC 100~240V
Output capacity	5W
Destinations	Whole-world correspondence
Safety standards	Conforms to IEC60950
External dimensions	38 (W) × 63 (L) × 20 (H) mm

**DIMENSIONS**



Unit: mm