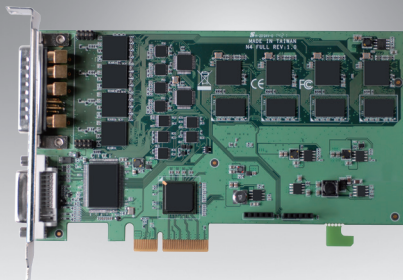


DVP-7634HE

4ch Full HD H.264 PCIe Video Capture Card with SDK

NEW



Features

- 4ch SDI + VGA/HDMI/DVI/Composite/S-Video/YPbPr video input with H.264 (High Profile) hardware compression
- 30/25 fps (NTSC/PAL) at up to 1080p resolution for display and recording
- PCIe x4 host interface
- Windows/Linux OS supported

FCC CE 

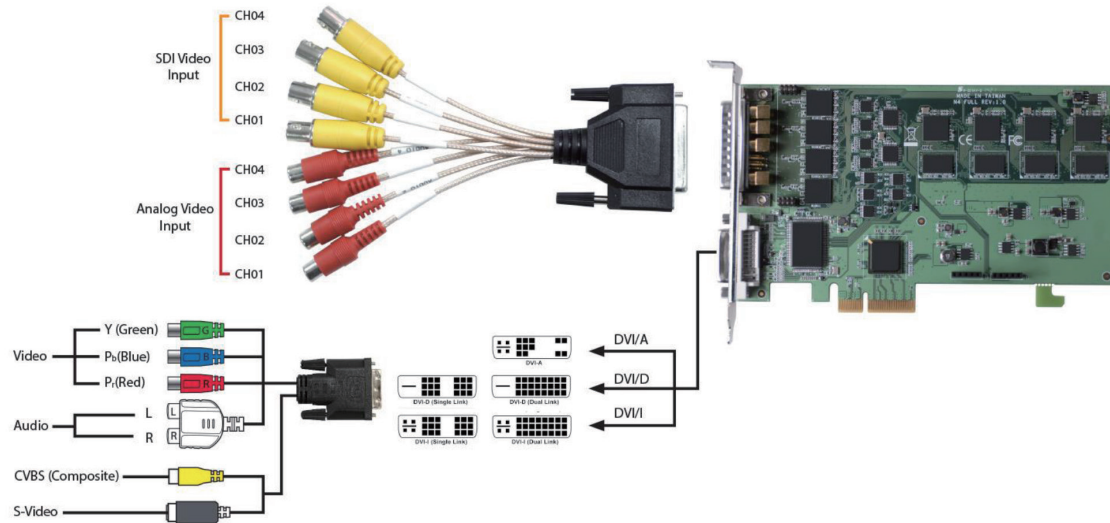
Introduction

DVP-7634HE is a PCIe-bus, hardware compression video capture card with 4ch SDI + VGA/HDMI/DVI/Composite/S-Video/YPbPr video and input. DVP-7634HE supports H.264 high profile compression format at up to Full HD 1080p for each channel. With an easy-to-use software development kit (SDK) and flexibility to stack multiple cards, DVP-7634HE is an ideal solution for various video capture applications.

Specifications

Video	Video Input	4ch SDI + VGA/HDMI/DVI/Composite/S-Video/YPbPr
	Compression	H/W H.264 High Profile
	Max. Display Rate	30/25 fps (NTSC/PAL) @ 1920 x 1080p
	Max. Recording Rate	30/25 fps (NTSC/PAL) @ 1920 x 1080p
Audio	Audio Input	SDI / HDMI / Audio L/R
	Format	Stereo, 16-bit, 32 ~ 48 kHz
System Requirements	CPU (Display)	Intel® Core™ 2 Duo E2200 2.2 GHz
	CPU (Recording)	Intel® Core™ 2 Duo E2200 2.2 GHz
	Memory	2 GB
	VGA	1024 x 768, DirectX 9.0c
	Operating System	Windows XP/XPe/Vista/7/8/8.1; Linux 2.6.14 or higher
Physical Characteristics	Host Interface	PCIe x4
	Operating Temperature	-20 ~ 70 °C (-4 ~ 158 °F)
	Storage Temperature	-40 ~ 85 °C (-40 ~ 185 °F)
	Dimension (L x H)	167.65 x 101.03 mm (6.6" x 3.9")
	Safety	CE/FCC

Connection Diagram



Ordering Information

Part Number	Description
DVP-7634HE	4ch Full HD H.264 PCIe Video Capture Card with SDK

Packing List

Item	Amount
DVP-7634HE Capture Card	1 (piece)
4 BNC/4 RCA cable	1 (piece)
DVI to YPbPr/AV/S-video	1 (piece)