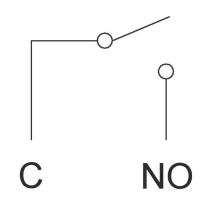
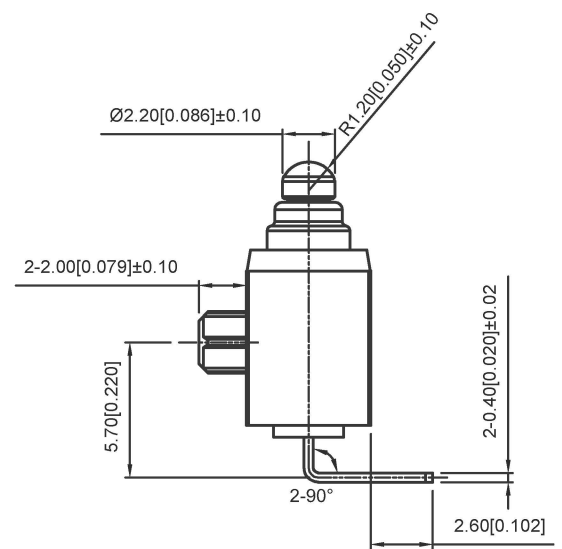
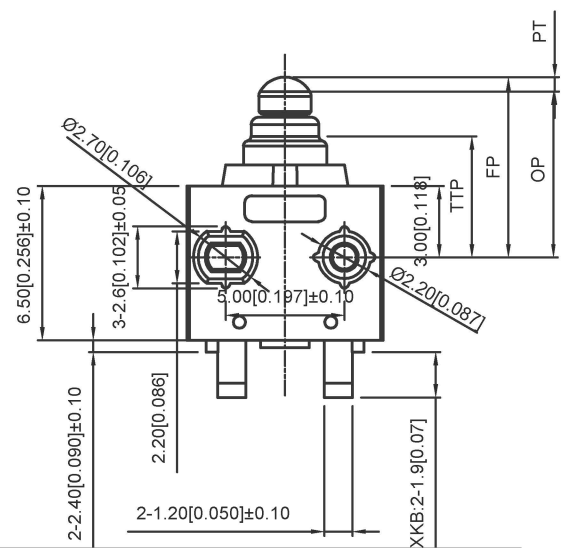


### Circuit diagram



### Technical Parameters

1. Electrical Rating: 0.1A 125/250VAC  
0.1A/12VDC
2. Electrical lifetime: 100 000
3. Mechanical lifetime: 100 000
4. Contact Resistance: ≤50mΩ
5. Operating force: 1.5N MAX
6. Free Position: 7.6mm MAX
7. Operation Position: 7.1±0.3mm
8. TTP: 5.1mm Min
9. Withstand Voltage: Feet and Feet 500V/5S/5mA  
Feet and Shell 1500/5S/5mA
10. Insulation Resistance: ≥100MΩ (Test Voltage 500VDC)
11. Proof Tracking Index (PTI): 175V



Waterproof grade: IP67

1	Rubber shell	PA66
2	seal ring	Silica gel
3	base	Brass+PA66
4	According to sincerity	POM
5	Contact moving plate	C5191+AgNi10
6	Strut	SUS301-H

广东星坤科技股份有限公司

生	日期
效	
文件	工程
MARK	REVISIONS
www.xk-dg.cn	www.helloxkb.com www.helloxkb.cn

units:	mm
tolerance:	
X.X	±0.2mm
X.XX	±0.1mm
X.XXX	±0.05mm
UNSPECIFIED TOLERANCES	

DSND	DATE	SCALE: N/A	MODEL TYPE: Microswitch
DWN	DATE	VIEW:	PART NO.:
CHKD	DATE	UNIT: mm/in	DWG NO.: DF1-CZ-3
APPD	DATE	SIZE: A4	WEIGHT: 1.0g
KKB INDUSTRIAL PRECISION CO., LIMITED			SHEET: 1/1
			REVISION: A0

DATE	SCALE: N/A	MODEL TYPE: Microswitch
DATE	VIEW:	PART NO.:
DATE	UNIT: mm/in	DWG NO.: DF1-CZ-3
DATE	SIZE: A4	WEIGHT: 1.0g
KKB INDUSTRIAL PRECISION CO., LIMITED		SHEET: 1/1
		REVISION: A0