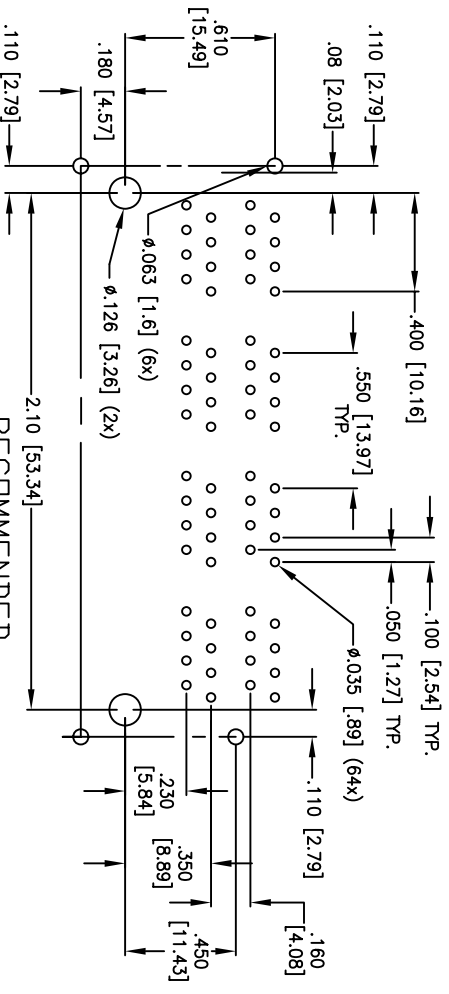
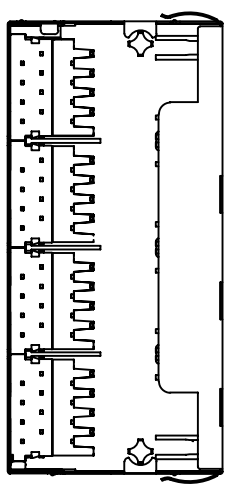
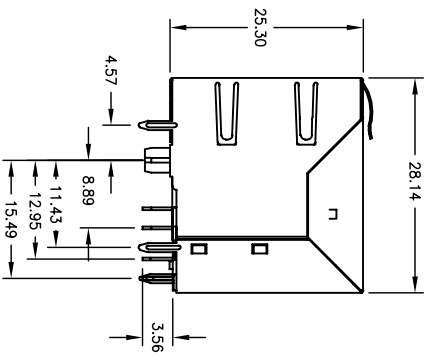
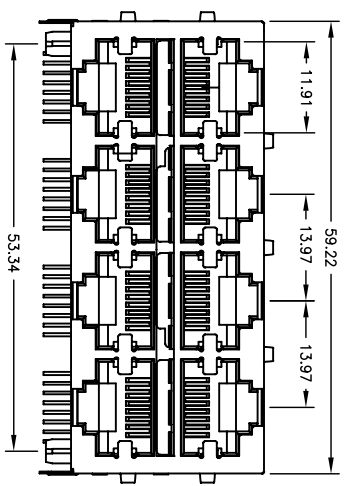


Rev	AWO #	Description	Date	Appr
-	5851	RELEASED	1/10/06	

APPROVED: _____ TITLE: _____
 DATE: _____



RECOMMENDED
 PCB LAYOUT (TOP VIEW)

SPECIFICATIONS:

- Material: Insulator: PBT, glass reinforced , thermoplastic, rated UL 94V-0
- Insulator color: Black
- Contacts: Copper Alloy
- Shield: Copper Alloy, Nickel plated
- Contact Plating: Tin over Copper underplate on tails
- Gold Flash over Nickel underplate on contact area, (See chart for thickness).
- Operating voltage: 150 VAC max
- Current rating: 1.5 Amps max
- Contact Resistance: 20 mohms max. initial
- Insulation resistance: 500 Mohms min @ 500 VDC
- Dielectric withstanding voltage: 1000 VAC for 1 minut
- Temperature Rating: Operating temperature: -40°C to +125°C
- Environmental: Lead free, RoHS compliant.
- Recommended soldering temp: 235 for 5 sec.

X	PLATING
0	15 µin Gold
1	30 µin Gold
2	50 µin Gold

UNLESS OTHERWISE SPECIFIED
 ALL DIMENSIONS ARE INCHES [MM]
 TOLERANCES: EXCEPT AS NOTED
 INCHES HOLES
 .X ± .10 ØXX ± .010
 .XX ± .020 ØXX ± .015
 .XXX ± .015 ØXXX ± .010

ADAM TECH

909 Rahway Avenue, Union, NJ 07083
 Phone: 908-687-5000 Fax: 908-687-5710

MODULAR TELEPHONE JACK, GANGED
 8 PORT, 8P8C, SHIELDED, W/ MAGNETICS

DRAWN	SS	1/10/06	SIZE	PART NO.	REV.
CHECKED			X	MTUG-8-88JX1-FSG-PG-M14	-
APPROVED			REF:	SCALE: NTS	SHEET 1 OF 2