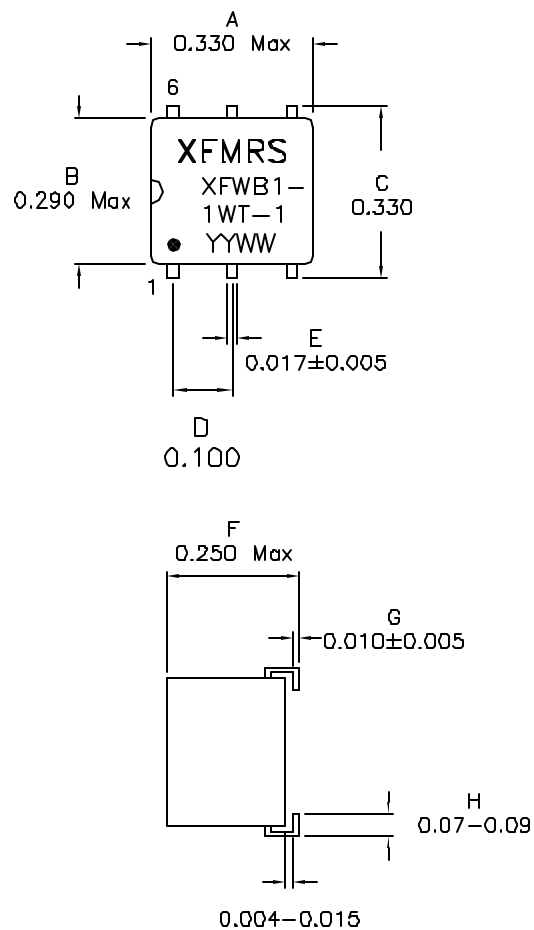


1. Mechanical Dimensions:

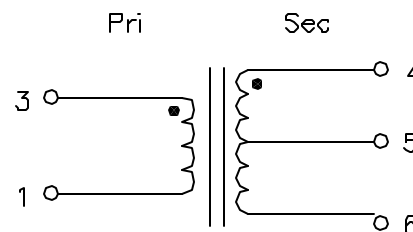


Note:

1. Solderability: Leads shall meet MIL-STD-202, Method 208D for solderability.
2. Flammability: UL94V-0,
3. ASTM oxygen index: > 28% ,
4. Temperature rating: 155°C. UL file E151556,
5. Operating Temperature Range: -40°C to +85°C

DOC. REV. A/1

2. Schematic:



3. Electrical Specifications:

Frequency Range: 1-400MHz
 Impedance Ratio: Pri:Sec 1:1CT
 Insertion Loss: 1-400MHz 1dB
 Q: P3-1 tbd Min @10KHz, 0.1V
 Phase Unbalance: 3' Typ @1-400MHz
 Return Loss: 16dB @1-400MHz
 Input Power: 0.250 Watt
 Rated Current: 30mAdc

PROPRIETARY Document is the property of XFMRS Group & is not allowed to be duplicated without authorization.

XFMRS Inc	Title: RF TRANSFORMER		
	UNLESS OTHERWISE SPECIFIED	P/N: XFWB1-1WT-1	REV. A
TOLERANCES:	DWN.	李小锋	Jun-08-04
.xx ±0.010	CHK.	廖玉坤	Jun-08-04
Dimensions in Inch	APP.	J Ng	Jun-08-04
SHEET 1 OF 1			