

INTEGRATED CONNECTOR MODULES

0821-1X1T-36 10/100Base-TX Single Port Extended Temp MagJack® with LEDs

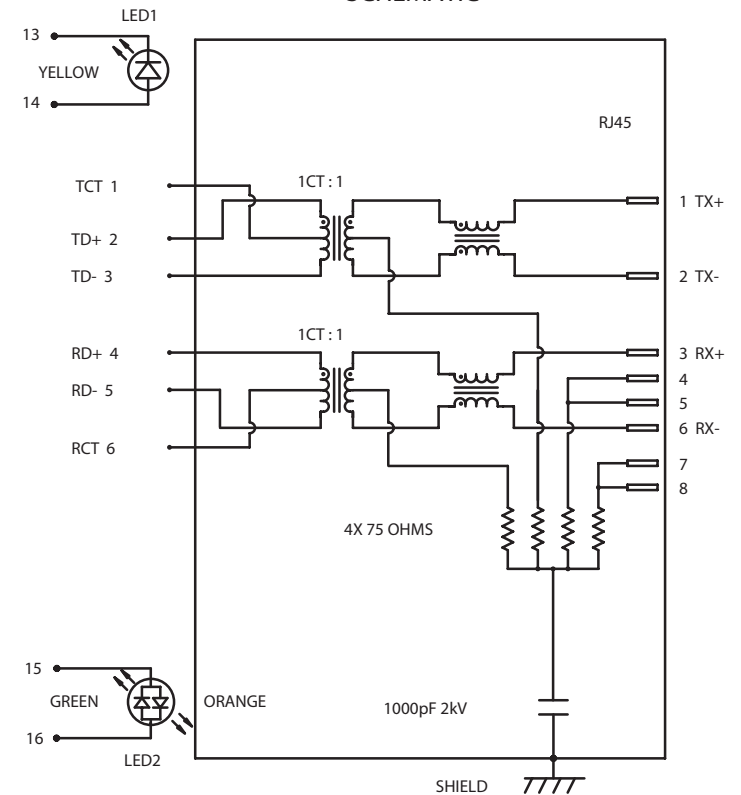
- Extended operating temperature -40° to +85° C

LED1 POLARITY			LED2 POLARITY		
PIN 13	PIN 14	COLOR	PIN 15	PIN 16	COLOR
-	+	YELLOW	+	-	ORANGE
/	/	/	-	+	GREEN

ELECTRICAL CHARACTERISTICS @ 25°C

TURNS RATIO			
TX		1CT : 1	
RX		1CT : 1	
OCL @ 100kHz/100mVRMS 8mA DC BIAS			350 μ MIN.
INS. LOSS			
1MHz TO 100MHz			-1.0 dB MAX
RET. LOSS (MIN)			
1MHz-30MHz			-18 dB
30MHz-60MHz			-18+20LOG(F/30MHz) dB
60MHz-80MHz			-12 dB
CROSS TALK (TX - RX)			
500kHz-100MHz			-35 dB MIN
CM TO CM REJ			
100kHz-100MHz			-30 dB MIN
CM TO DM REJ			
100kHz-100MHz			-40 dB MIN
HIPOT (Isolation Voltage):			1500 Vrms
OPERATING TEMPERATURE:			-40°C TO 85°C
LED 1			
VF (FORWARD VOLTAGE)	IF=20mA	YELLOW	2.1V TYP.
λ D (DOMINANT WAVELENGTH)	IF=20mA	YELLOW	590nm TYP.
LED 2			
VF (FORWARD VOLTAGE)	IF=20mA	GREEN	2.2V TYP.
		ORANGE	2.0V TYP.
λ D (DOMINANT WAVELENGTH)	IF=20mA	GREEN	565nm TYP.
		ORANGE	610nm TYP.

SCHEMATIC



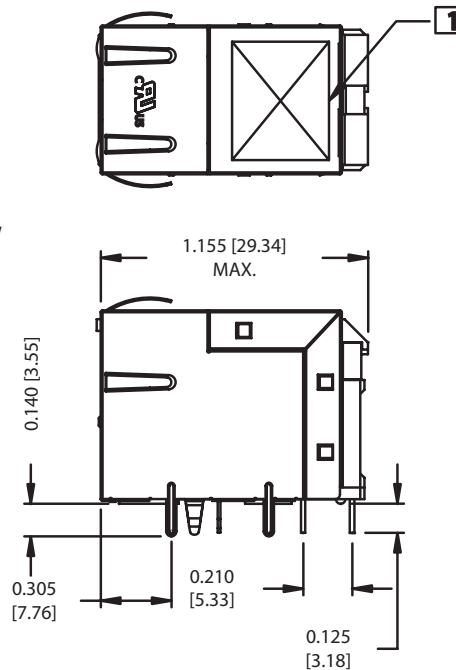
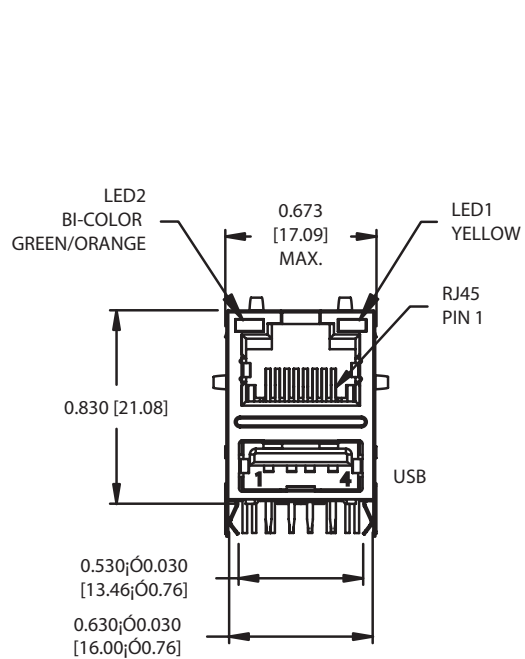
USB ELECTRICAL:

INSULATION RESISTANCE:	1000 MEG (MIN)
CONTACT RESISTANCE:	25 MILLI (MAX)
DIELECTRIC WITHSTANDING:	750 VAC

INTEGRATED CONNECTOR MODULES

0821-1X1T-36 10/100Base-TX Single Port Extended Temp MagJack® with LEDs

MECHANICAL SPECIFICATION



RJ45 MECHCNICAL:

PLASTIC HOUSING: THERMOPLASTIC PBT
FLAMMABILITY RATING UL 94V-0

CONTACT PLATING: 50 MICRO-INCH HARD GOLD PLATING

PINS: TIN-COATED COPPER WIRE, DIA 0.018 INCH.

SOLDERABILITY: PER MIL STD. 202, METHOD 208.

METAL SHIELD: TIN/LEAD PLATED ON COPPER ALLOY.

USB MECHANICAL:

MATING FORCE: 35 NEWTONS MAXIMUM

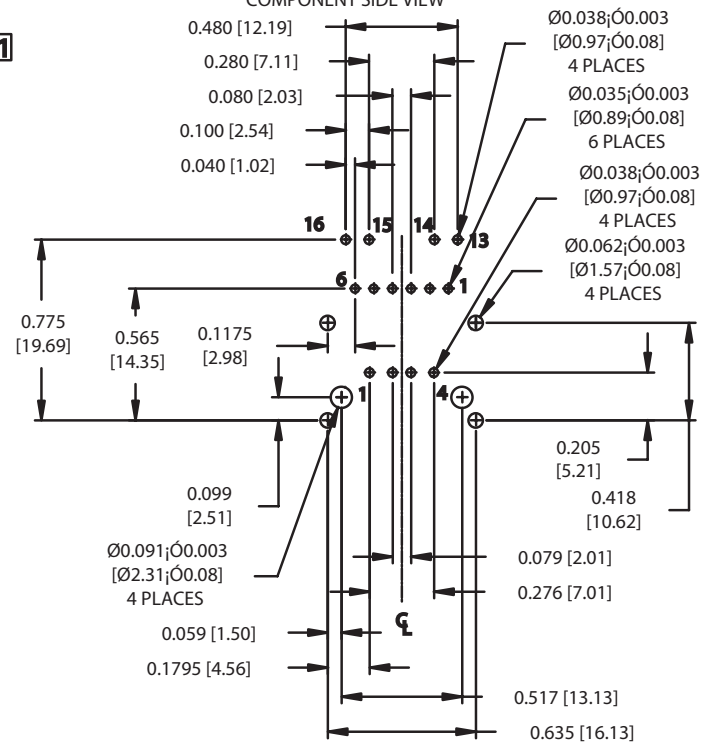
UNMATING FORCE: 10 NEWTONS MINIMUM

CONTACT: PROSPHER BRONZE GOLD PLATING ON CONTACT AREA AND TIN ON SOLDER TAIL.

1. MARK PART WITH MFG. LOGO, MFG. NAME, PART NUMBER, AND DATE CODE.

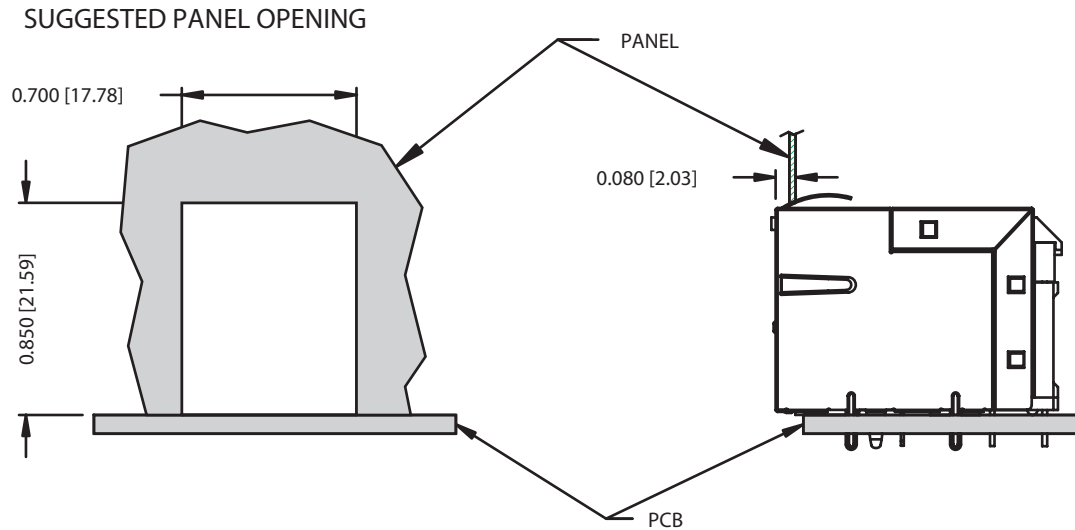
UL RECOGNIZED - FILE #E196366 AND E169987.

RECOMMENDED PCB FOOTPRINT



INTEGRATED CONNECTOR MODULES

0821-1X1T-36 10/100Base-TX Single Port Extended Temp MagJack® with LEDs



NOTES:

THE DISTANCE OF PANEL INSIDE SURFACE RELATIVE TO FRONT SURFACE OF PART IS ONLY A SUGGESTION.
 IN CASE THIS DISTANCE IS DIFFERENT, THE REQUIRED PANEL OPENING DIMENSIONS CHANGE ACCORDINGLY.

PACKING INFORMATION

PACKING TRAY : 0200-9999-F2 (TOP)
 0200-9999-F3 (BOTTOM)

PACKING QUANTITY : 60 PCS FINISHED GOODS PER TRAY
 8 TRAYS (480 PCS FINISHED GOODS) PER CARTON BOX

NOTE : CARDBOARDS ARE PLACED BETWEEN LAYERS OF PACKING TRAY INSIDE CARTON BOX
 (INCLUDE THE UPPERMOST AND LOWERMOST TRAY)