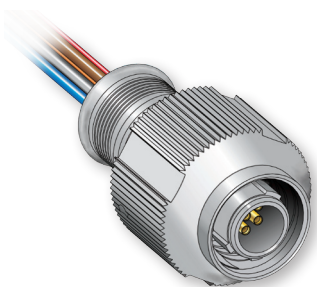




Series 811 Mighty Mouse High Density (HD) Pre-Wired Plug Connectors

811-001-06

Pre-Wired Plug Connectors

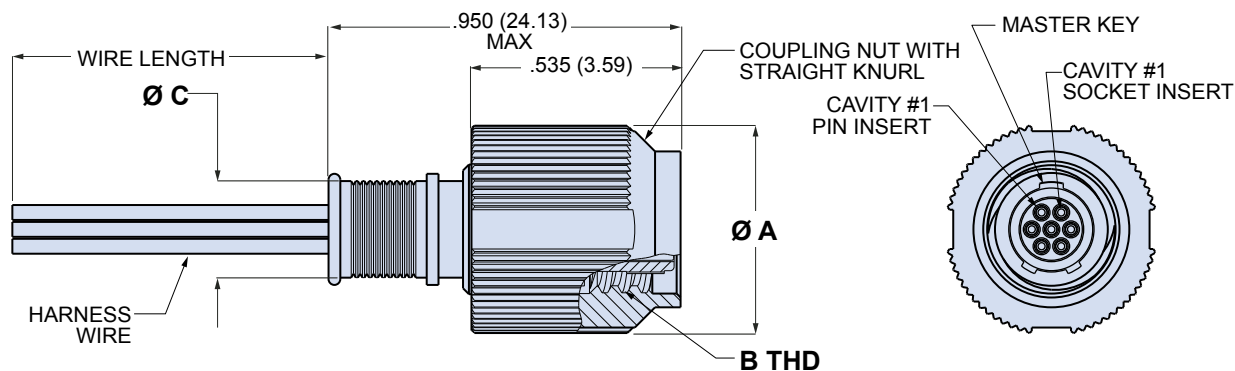


Series 811 Mighty Mouse High Density plugs feature damage-resistant double-start ACME mating threads and integral shielding/overmolding platforms. These plugs are factory-terminated to insulated wire and backpotted with epoxy. The TwistPin contact system meets requirements of MIL-DTL-83513 and provides outstanding resistance to high levels of shock and vibration. Choose Type K general purpose Teflon® wire or Type J lightweight space-grade Tefzel® wire. 3A current rating, 600 VAC dielectric withstanding voltage.

HOW TO ORDER SERIES 811 PLUGS

Sample Part Number

811-001-06	MT	5-7	P	A	6	K	7	-18
Series	Shell Material and Finish	Shell Size - Insert Arr.	Contact Type	Key Position	Wire Size	Wire Type	Wire Color	Wire Length (Inches)
811-001-06 Series 811 Plug Connector with High Density TwistPins, Pre-wired Pigtails, Double-Start Thread	ME Electroless Nickel	5-7 7 Contacts	P Pin Contacts	A Normal	6 #26	K PTFE insulation, silver-coated, 200°C, (M22759/11)	1 White	-12
	MT Nickel-PTFE	6-12 12 Contacts	S Socket Contacts	Alternate Key Positions B C D E F	8 #28 (Color code 1 or 7 only)		5 Color code per MIL-STD-681 (striped)*	-18
	ZR Black Zinc-Nickel	7-22 22 Contacts			0 #30 (Wire Type J, color code 1 or 7 only)	J Tefzel® insulation, high strength lightweight silver-coated, 200°C, (M22759/33)	7 10 Solid colors, repeating	-36
		8-30 30 Contacts						-72
		9-42 42 Contacts						Specify any length from 2 inches to 144 inches



Shell Size	Ø A		B Thread	Ø C	
	In.	mm.		In.	mm.
5	.540	13.72	.3125-.05P-.1L-2B	.246	6.25
6	.600	15.24	.375-.05P-.1L-2B	.286	7.26
7	.730	18.54	.4375-.05P-.1L-2B	.391	9.93
8	.800	20.32	.5000-.05P-.1L-2B	.443	11.25
9	.862	21.89	.5625-.05P-.1L-2B	.498	12.65

*Size 28 AWG and Size 30 AWG J type wire not available in striped color code 5