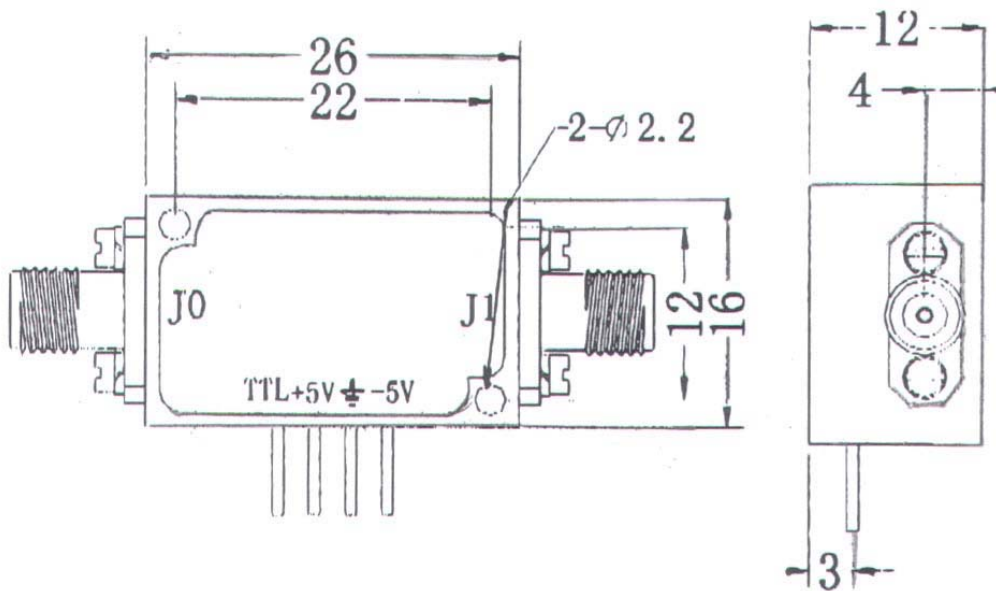


## SPST Switch

P/N: JXWBKG-T-1-6.5-9.5

Frequency Range(GHz)	6.5~9.5
Insertion Loss(dB)	2.0 max
Isolation(dB)	70 min
Power Handling(W)	0.2 min CW
Switching Time(ns)	50 max
Temperature Range(°C)	-55~+85
VSWR	1.5 max
Connectors	SMA-Female
Control	TTL Control, "0"ON,"1"OFF
Power Supply(V)	±5
Net weight(Kg)	0.03 Around

### Outline Drawing (Size: mm)



For current data sheets, please contact: [sales@aacix.com](mailto:sales@aacix.com)