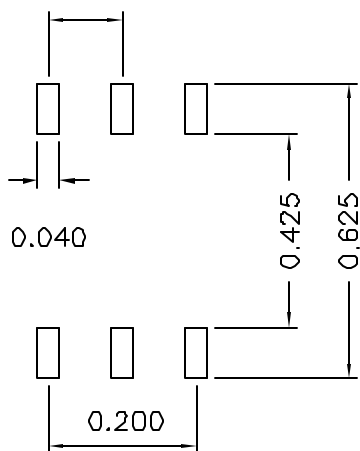
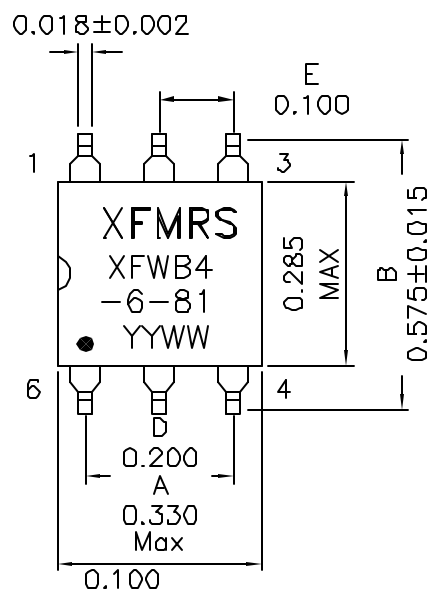
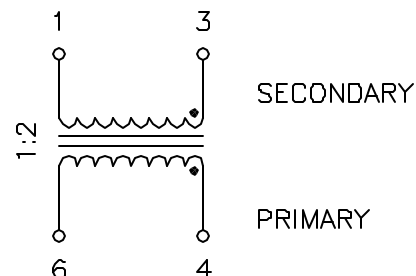
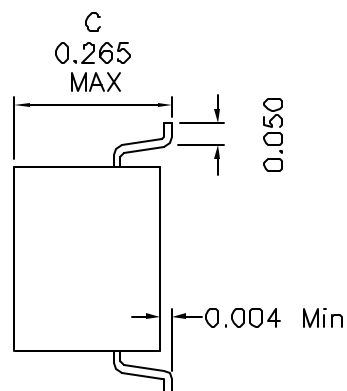


1. Dimensions:



SUGGESTED PCB LAYOUT

2. Schematic:



3. Electrical Specifications: @25°C

IMPD RATIO: (PIN6-4):(PIN1-3)=1:4 Ohms

BANDWIDTH: 0.02MHz - 200MHz

INSERTION LOSS 3dB TYP FREQ.: 0.02MHz - 200MHz

INSERTION LOSS 2dB TYP FREQ.: 0.05MHz - 150MHz

INSERTION LOSS 1dB TYP FREQ.: 0.1MHz - 100MHz

NOTES: THE IMPEDANCE IS ALL REFERRED TO A 50 OHMS SYSTEM

Notes:

1. Solderability: Leads shall meet MIL-STD-202G, Method 208H for solderability.
2. Flammability: UL94V-0
3. ASTM oxygen index: > 28%
4. Insulation System: Class F 155°C. UL file E151556
5. Operating Temperature Range: All listed parameters are to be within tolerance from -40°C to +85°C
6. Storage Temperature Range: -55°C to +125°C
7. Aqueous wash compatible
8. SMD Lead Coplanarity: ±0.004"(0.102mm)
9. Electrical and mechanical specifications 100% tested
10. RoHS Compliant Component

DOC. REV: A/1

XFMRS Inc www.XFMRS.com	Title: RF WIDEBAND TRANSFORMERS		
	UNLESS OTHERWISE SPECIFIED TOLERANCES: .xxx ±0.010 Dimensions in INCH	P/N: XFWB4-6-81	REV. A
SHEET 1 OF 1	DWN.	罗振江	Oct-22-07
	CHK.	廖玉坤	Oct-22-07
	APP.	MS	Oct-22-07

PROPRIETARY

Document is the property of XFMRS Group & is not allowed to be duplicated without authorization.