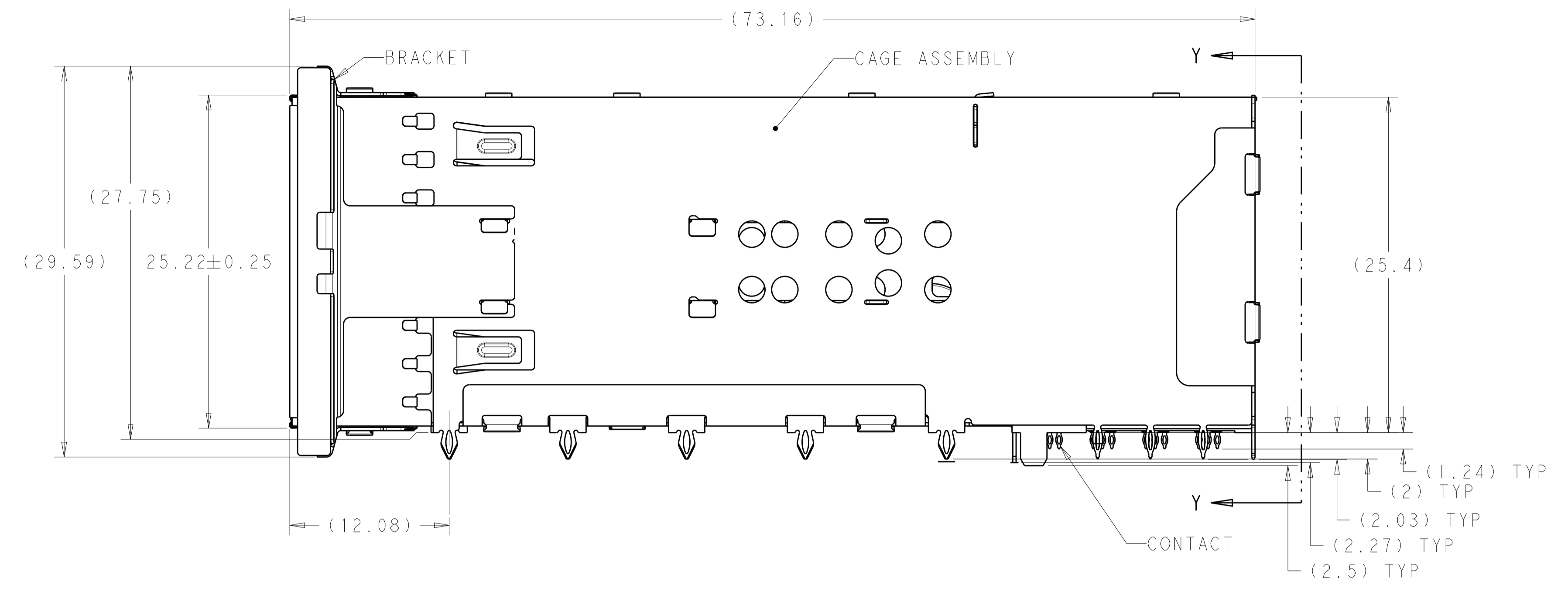
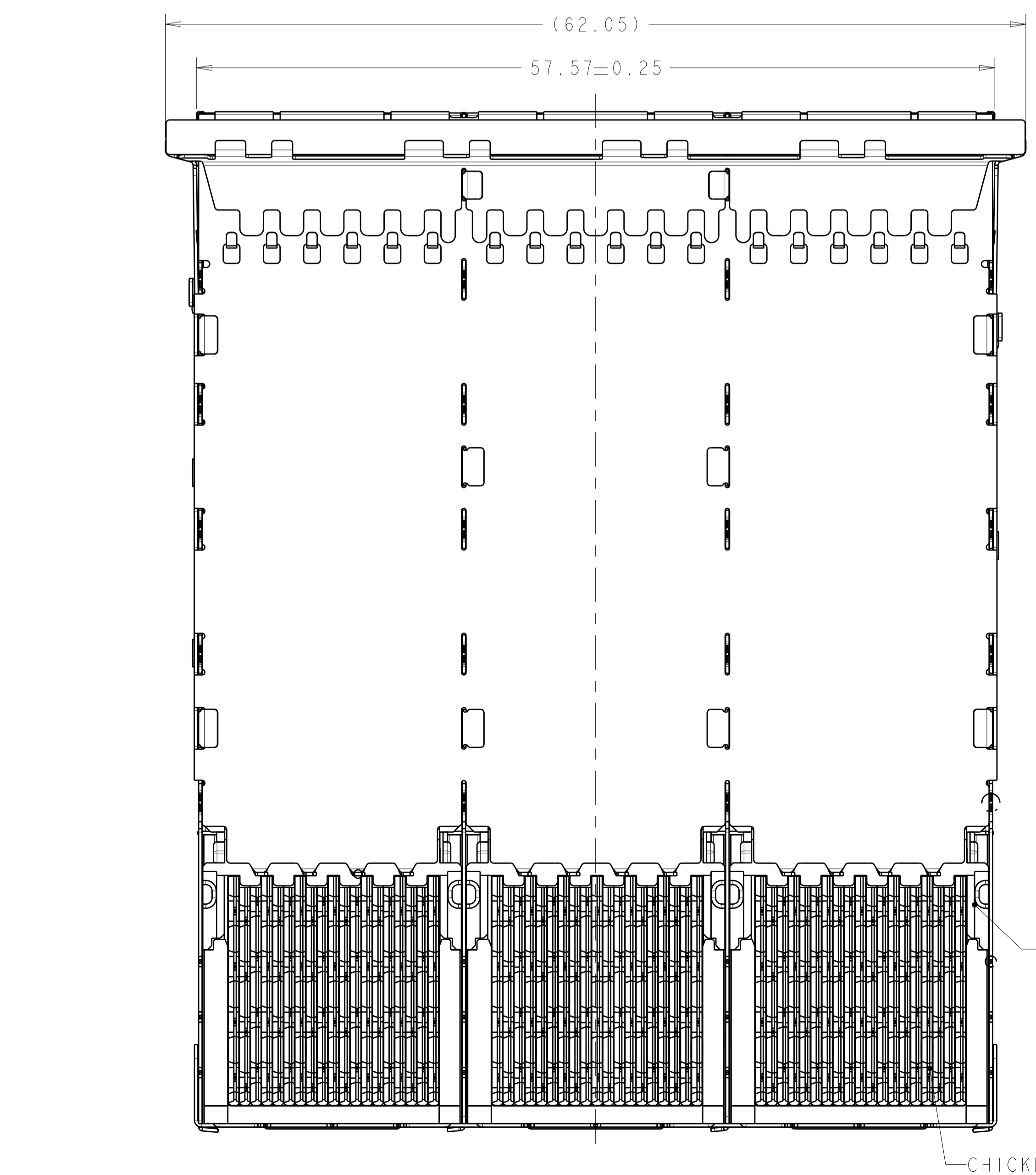
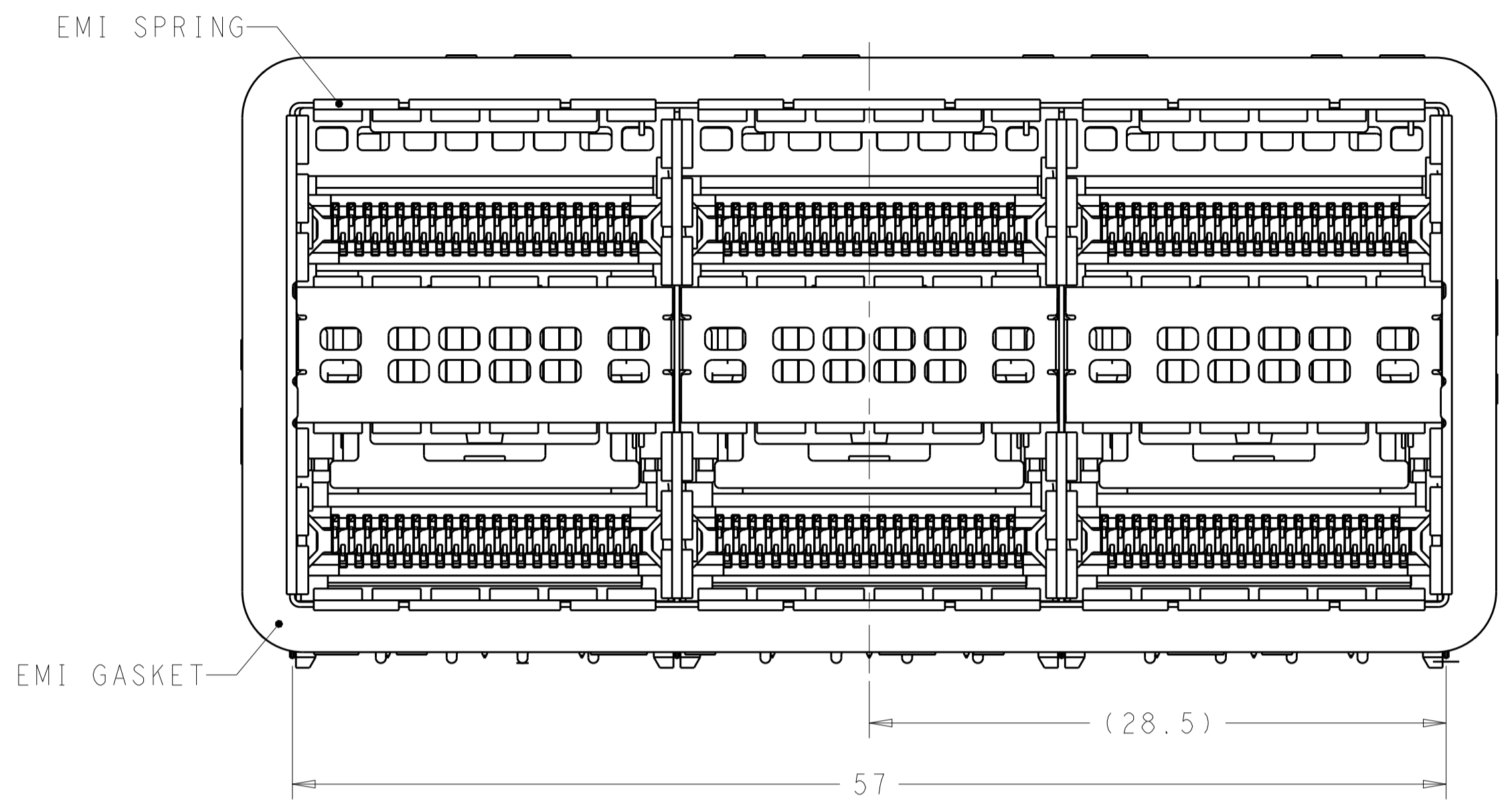


| LOC | DIST | REVISIONS | | | |
|-----|------|-------------------------|-----------|-----|------|
| P | LTN | DESCRIPTION | DATE | DWN | APVD |
| A | | RELEASED FOR PRODUCTION | 01MAR2016 | TX | SH |



- MATERIALS:
 CAGE ASSEMBLY- NICKEL SILVER ALLOY PER ASTM B 122.
 BRACKET- NICKEL SILVER ALLOY PER ASTM B 122.
 EMI SPRING- COPPER ALLOY, NICKEL PLATED.
 EMI GASKET- PLATED FILLED SILICONE.
 HOUSING- POLYESTER LCP WITH 94 V-0.
 CHICKLET- POLYESTER LCP WITH 94 V-0.
 CONTACT- COPPER ALLOY.
 LIGHTPIPE- POLYCARBONATE WITH 94 V-0.
- CONTACT FINISH: 0.76µm GOLD ON MATING END, 1.25µm TIN ON SOLDER TAIL, ALL OVER 1.27µm NICKEL.
- DATUM AND BASIC DIMENSION ESTABLISHED BY CUSTOMER.
- MINIMUM PCB THICKNESS OF 1.57.
- THE ENTIRE AREA OF THE CONNECTOR FOOTPRINT, INDICATED BY THE DASHED LINE, TO BE CONSIDERED THE KEEPOUT AREA FOR COMPONENTS.
- CROSS-HATCHED AREAS REPRESENT ZONES ON THE PCB THAT COME IN CONTACT WITH OR BE IN CLOSE PROXIMITY TO THE PLASTIC HOUSING OR THE CONNECTOR CAGE. INDICATED AREAS TO BE CONSIDERED TRACE FREE.
- PART NUMBER AND DATE CODE MARKED IN APPROXIMATE AREA SHOWN.
- HATCHED AREA IS PLACEMENT ZONE FOR LED. LED SHOULD BE CENTERED WITHIN ZONE. RECOMMEND 0805 PACKAGE.
- CONTACT FINISH: 0.08µm MINIMUM GOLD OVER 0.68µm PALLADIUM-NICKEL ON MATING END, 1.25µm TIN ON SOLDER TAIL, ALL OVER 1.27µm NICKEL.

| CONTACT FINISH | DESCRIPTION | PART NUMBER |
|----------------|---------------------|-------------|
| 9 | LEFT INDICATOR DOWN | 2214565-6 |
| 9 | LEFT INDICATOR UP | 2214565-5 |
| 9 | NO LIGHTPIPE | 2214565-4 |
| 2 | LEFT INDICATOR DOWN | 2214565-3 |
| 2 | LEFT INDICATOR UP | 2214565-2 |
| 2 | NO LIGHTPIPE | 2214565-1 |

THIS DRAWING IS A CONTROLLED DOCUMENT. DIMENSIONING AND TOLERANCING PER ASME Y14.5M-2009.

DIMENSIONS: mm

TOLERANCES UNLESS OTHERWISE SPECIFIED:

| | |
|--------|-------|
| 0 PLC | ± |
| 1 PLC | ±0.25 |
| 2 PLC | ±0.15 |
| 3 PLC | ± |
| 4 PLC | ± |
| ANGLES | ± |

MATERIAL: SEE NOTE 1

FINISH: SEE NOTE 2

CUSTOMER DRAWING

DWN: M. SHIRK 27FEB2012

CHK: D. SZCZESNY 27FEB2012

APVD: -

PRODUCT SPEC: 108-60102

APPLICATION SPEC: 114-60015

WEIGHT: -

SCALE: 4:1

SHEET 1 OF 4

REV A

TE Connectivity

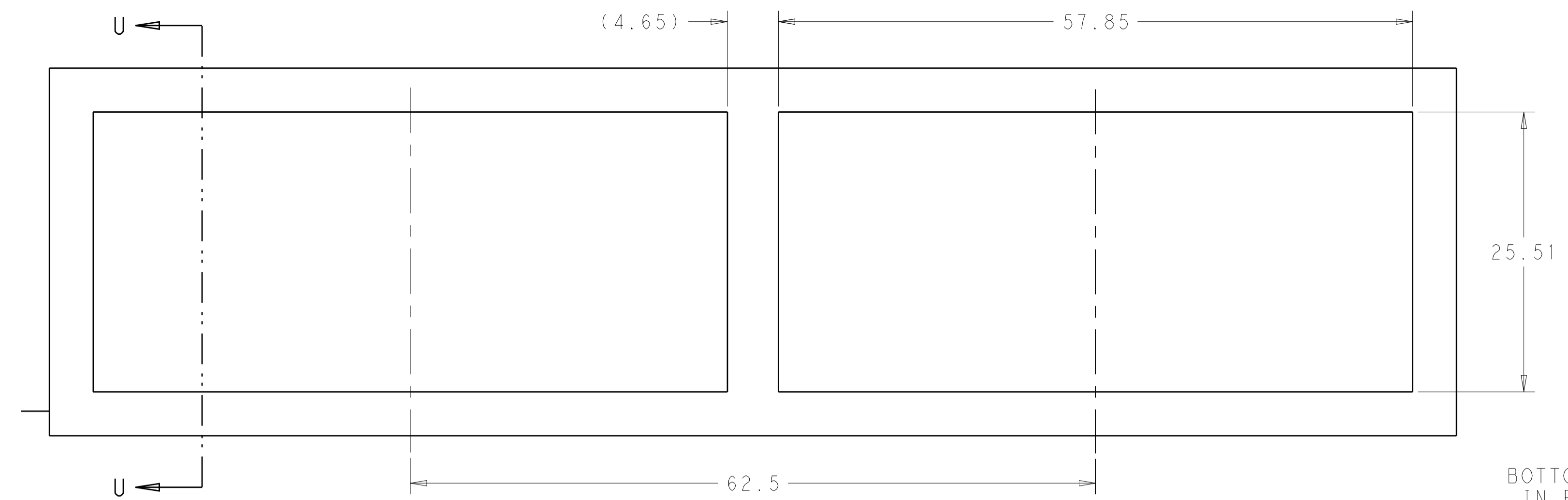
CAGE AND CONNECTOR ASSEMBLY, WITH EMI GASKET, 2X3, ZQSFP+ STACKED

SIZE: 100779

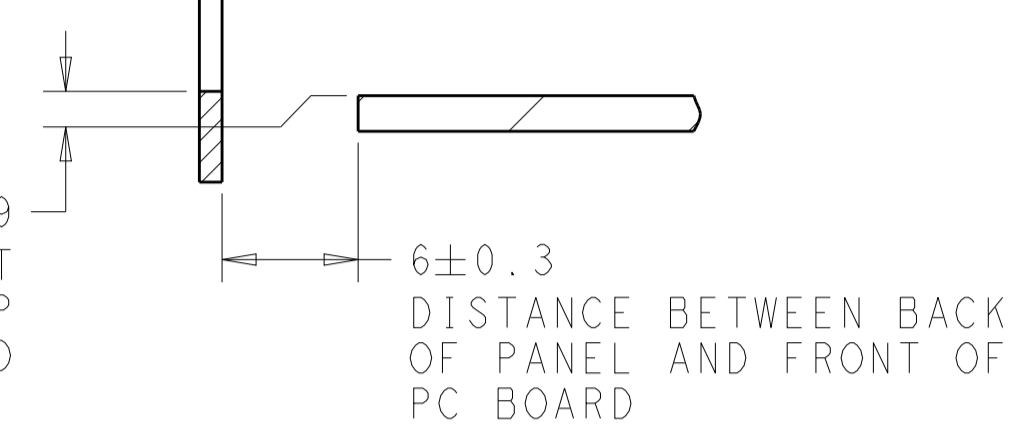
NAME: CAGE AND CONNECTOR ASSEMBLY, WITH EMI GASKET, 2X3, ZQSFP+ STACKED

RESTRICTED TO: -

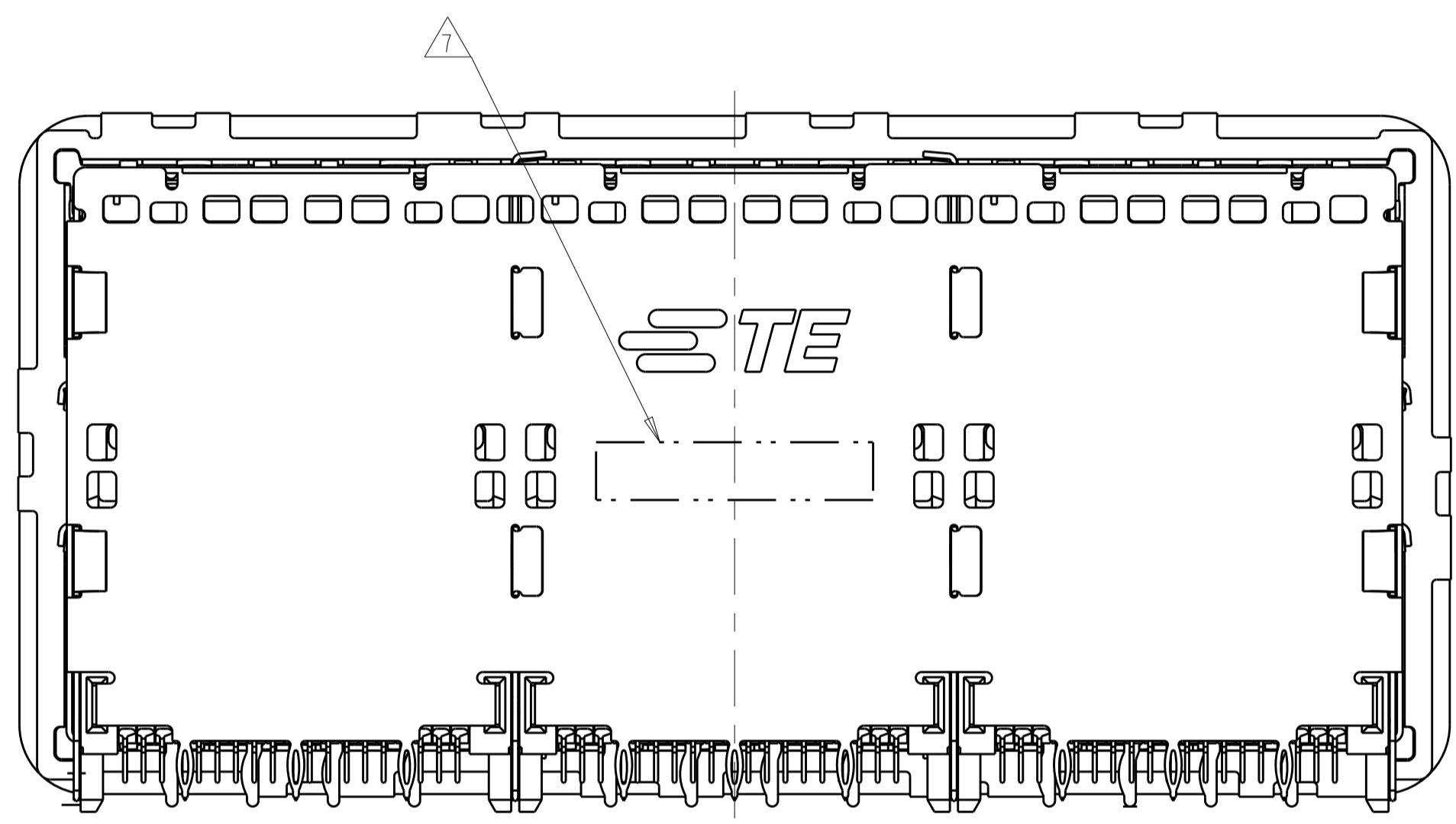
| LOC | DIST | REV | DATE | BY | APPD |
|-----|------|-----|------|----|------|
| | | 1 | | | |
| | | 2 | | | |



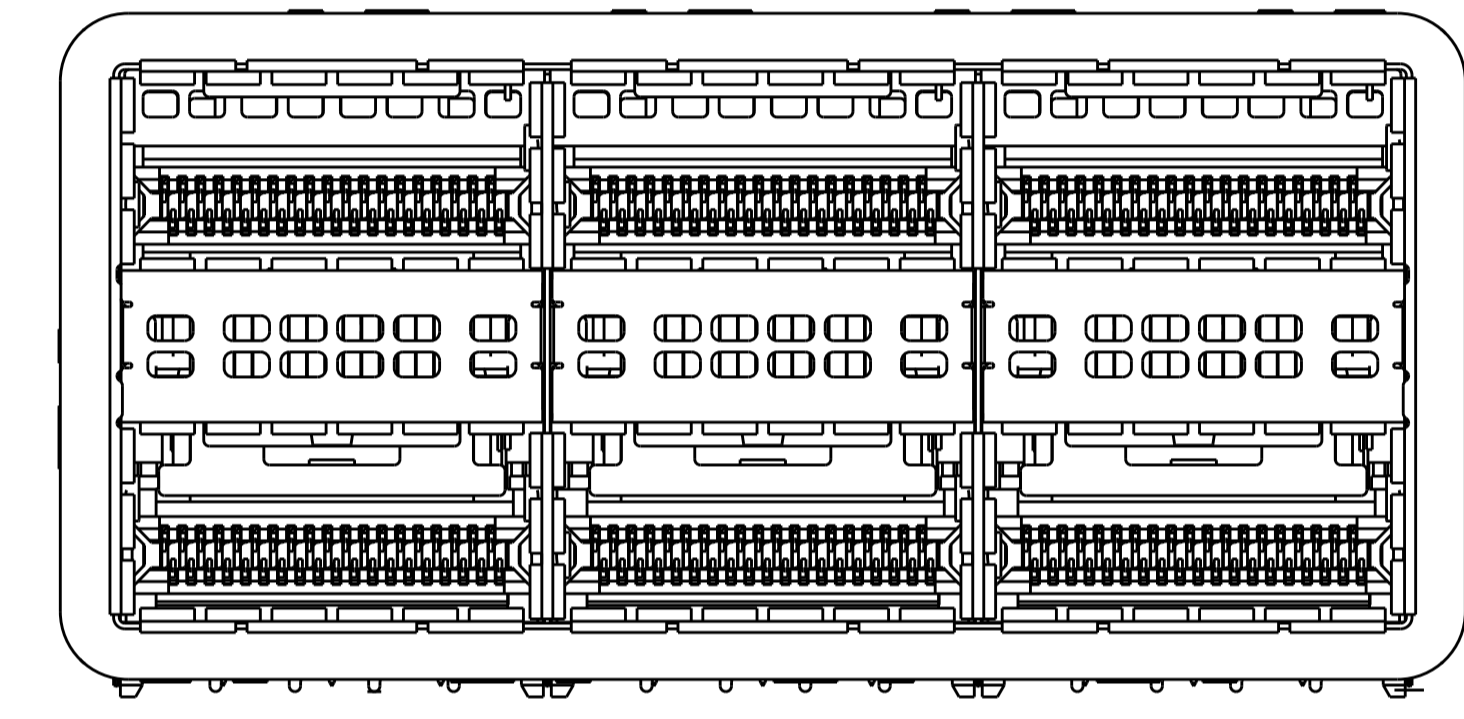
RECOMMENDED PANEL CUTOUT
 AND PC BOARD, PANEL POSITION
 SCALE 3:1



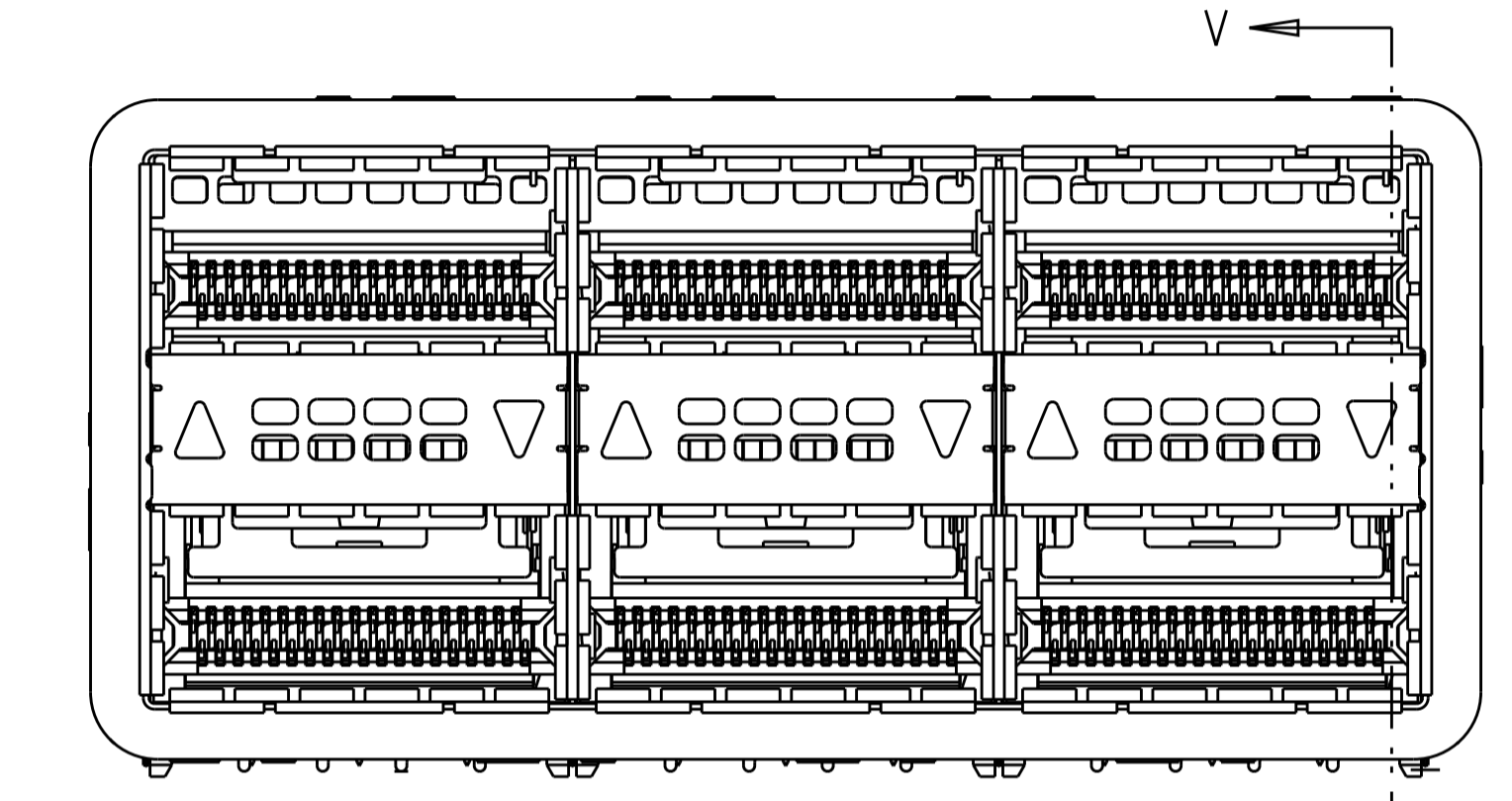
SECTION U-U



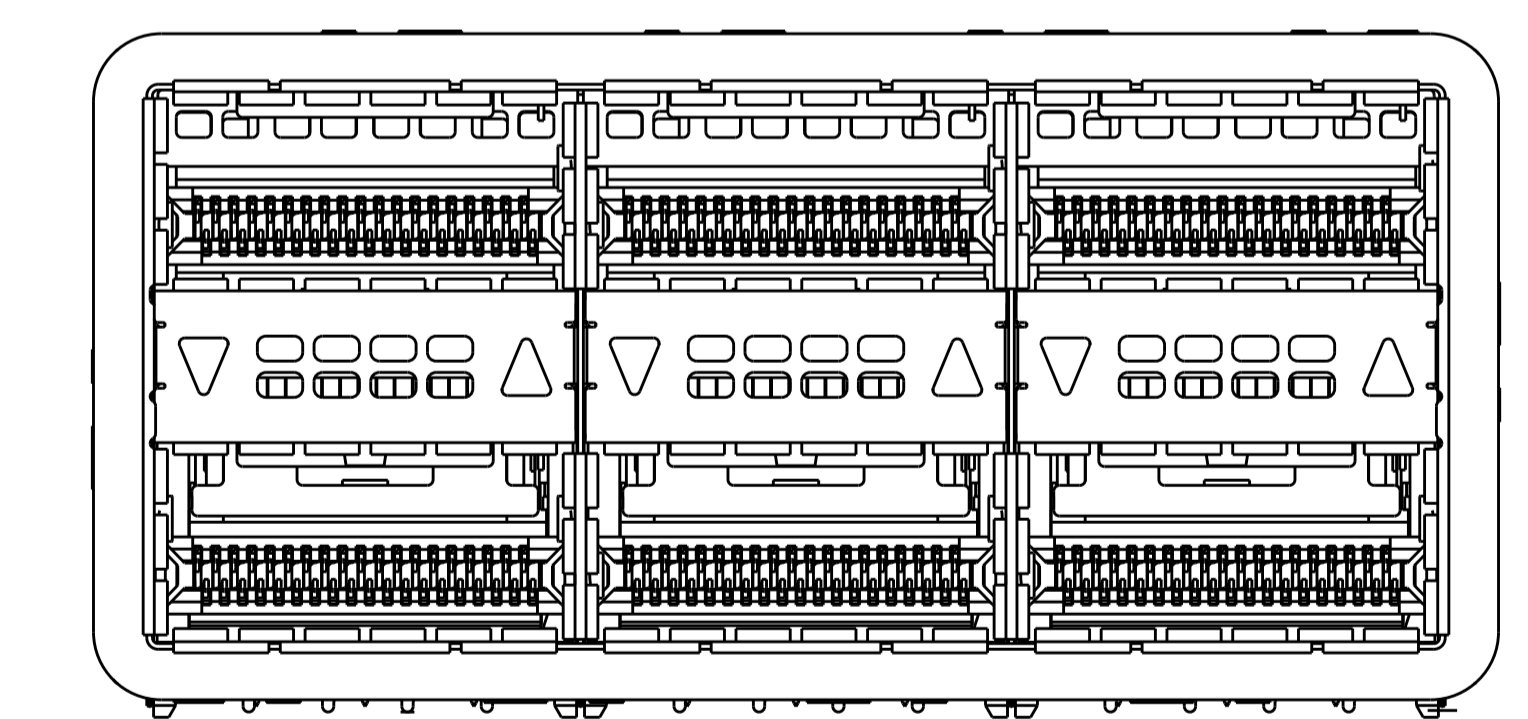
VIEW Y-Y



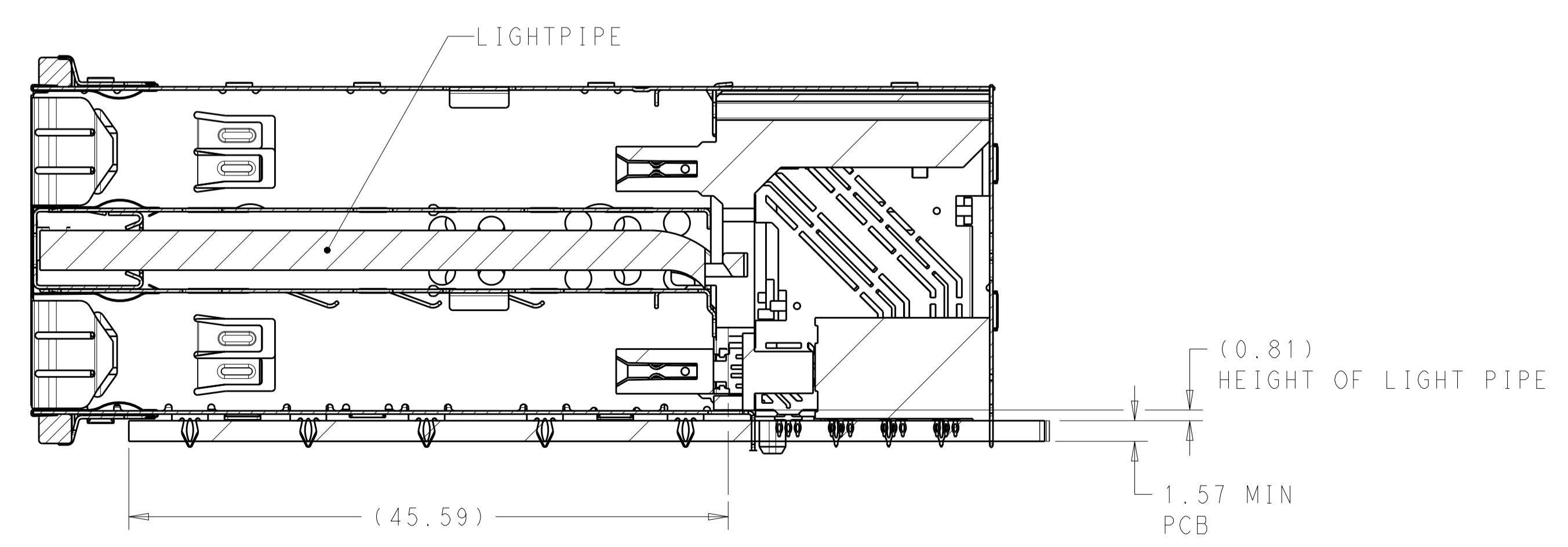
2214565-1 / 2214565-4
 NO LIGHTPIPE IN ASSEMBLY
 SCALE 3:1



2214565-2 / 2214565-5
 LEFT LIGHTPIPE INDICATOR
 POINTING TO UPPER PORT
 SCALE 3:1



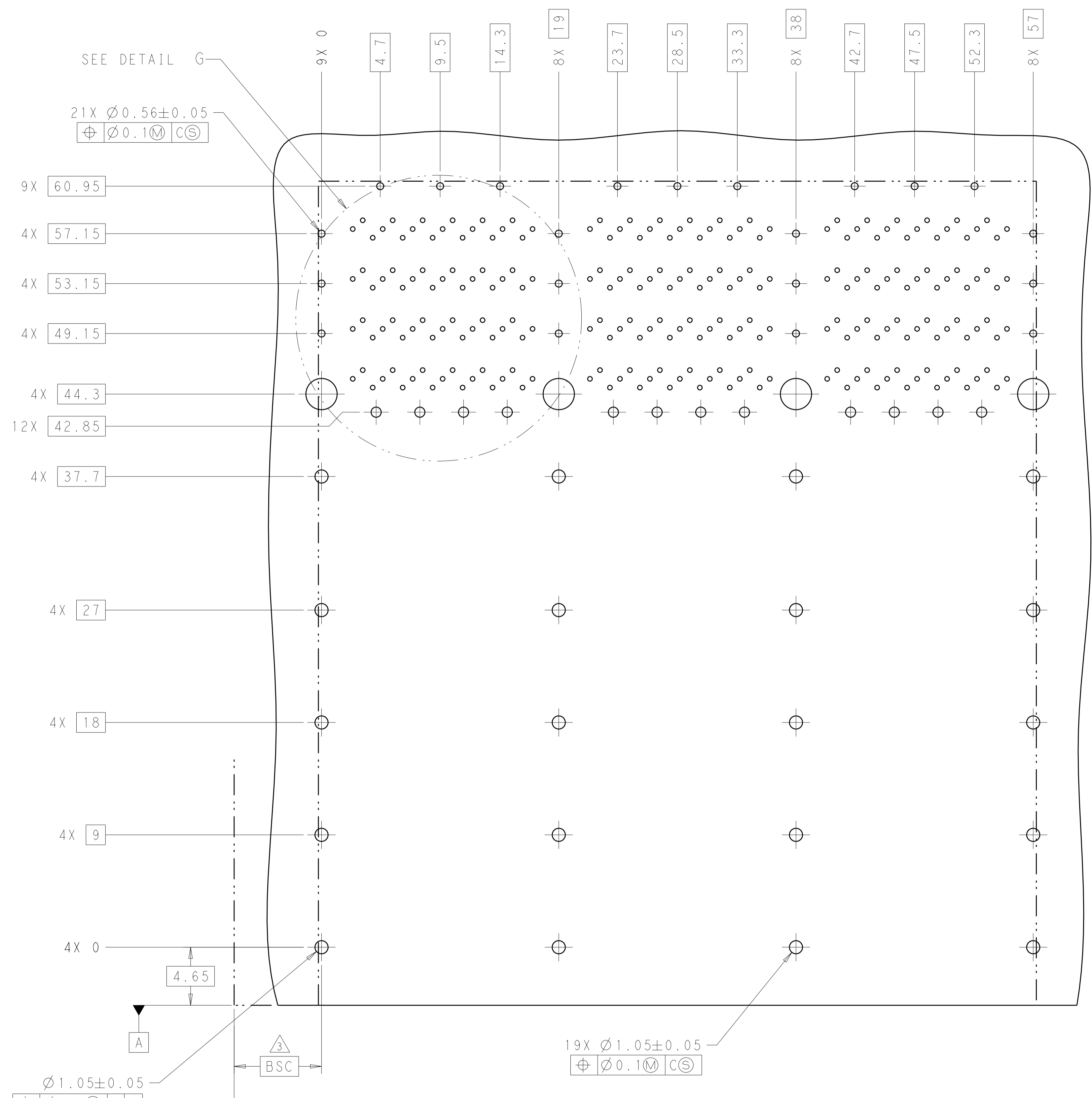
2214565-3 / 2214565-6
 LEFT LIGHTPIPE INDICATOR
 POINTING TO LOWER PORT
 SCALE 3:1



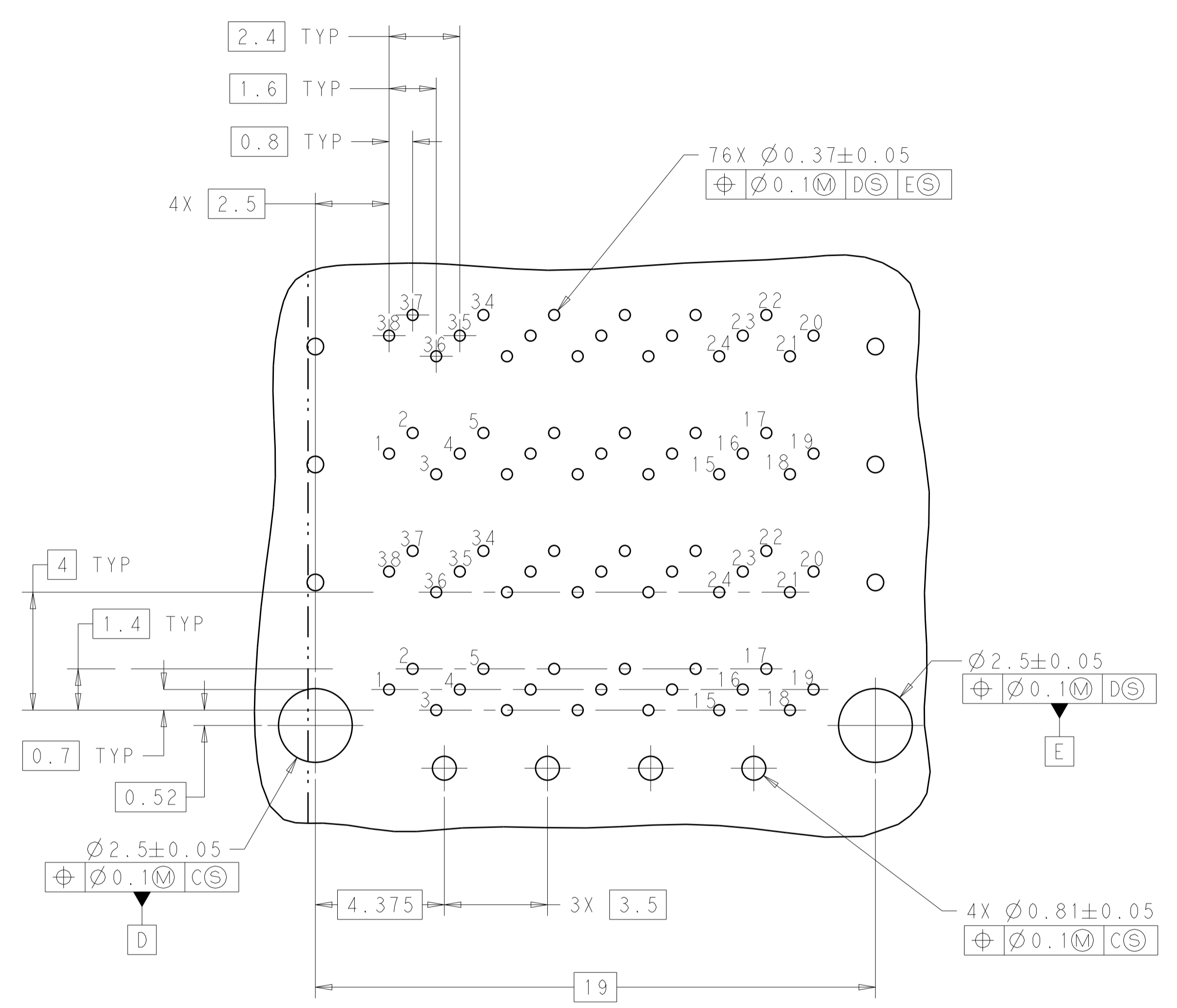
SECTION V-V
 SCALE 3:1

| | | | |
|--|------------|---|--|
| THIS DRAWING IS A CONTROLLED DOCUMENT. DIMENSIONING AND TOLERANCING PER: ASME Y14.5M-2009 | | DWN: M. SHIRK 27FEB2012 CHK: D. SZCZESNY 27FEB2012 APVD: - PRODUCT SPEC: 108-60102 APPLICATION SPEC: 114-60015 WEIGHT: - CUSTOMER DRAWING | STE TE Connectivity NAME: CAGE AND CONNECTOR ASSEMBLY, WITH EMI GASKET, 2X3, ZQSFP+ STACKED SIZE: 114-60015 CAGE CODE: A100779 DRAWING NO: C=2214565 RESTRICTED TO: - SCALE: 4:1 SHEET 2 OF 4 REV A |
| DIMENSIONS: mm TOLERANCES UNLESS OTHERWISE SPECIFIED: 0 PLC ± 1 PLC ±0.25 2 PLC ±0.15 3 PLC ± 4 PLC ± ANGLES ± FINISH: - SEE NOTE 1 | SEE NOTE 2 | | |

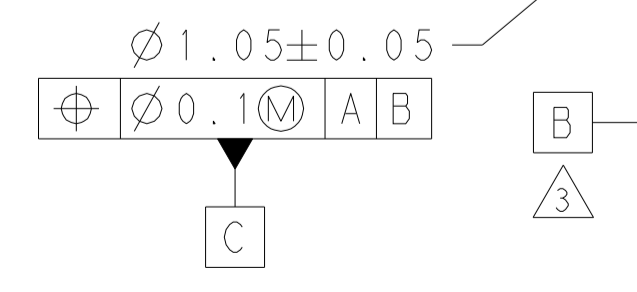
| REVISONS | | DATE | OWN | APVD |
|----------|-----|-------------|-----|------|
| P | LTM | DESCRIPTION | | |
| - | - | SEE SHEET 1 | - | - |



RECOMMENDED PC BOARD LAYOUT
 COMPONENT SIDE OF BOARD
 PCB TOLERANCE: ±0.05
 SCALE 5:1

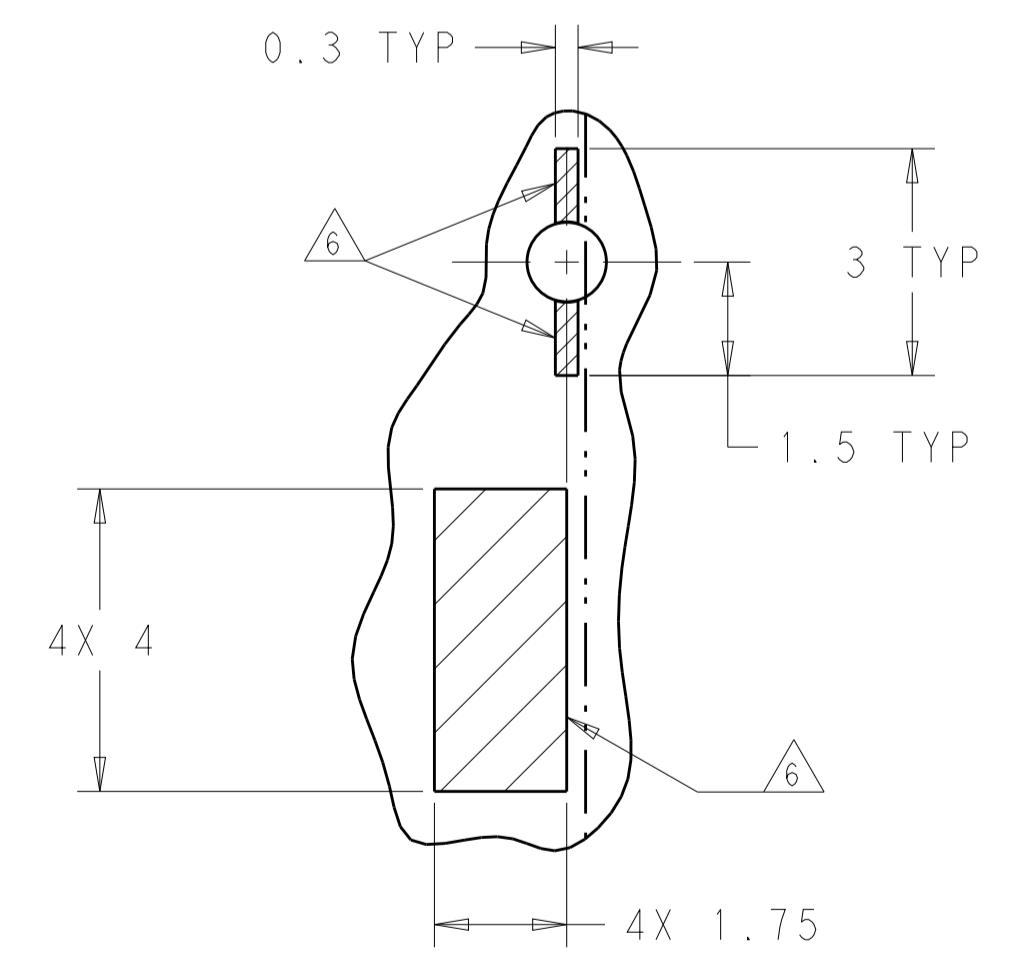
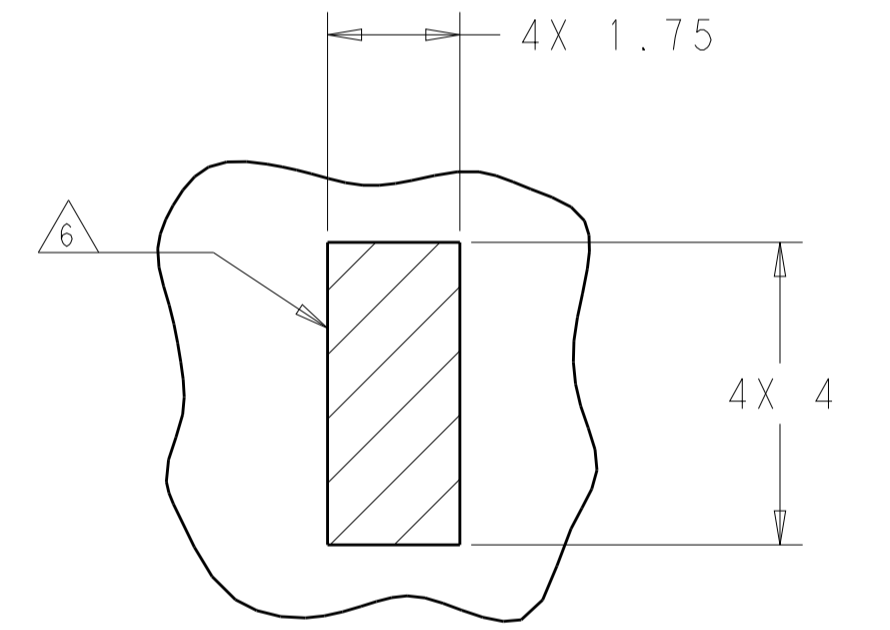
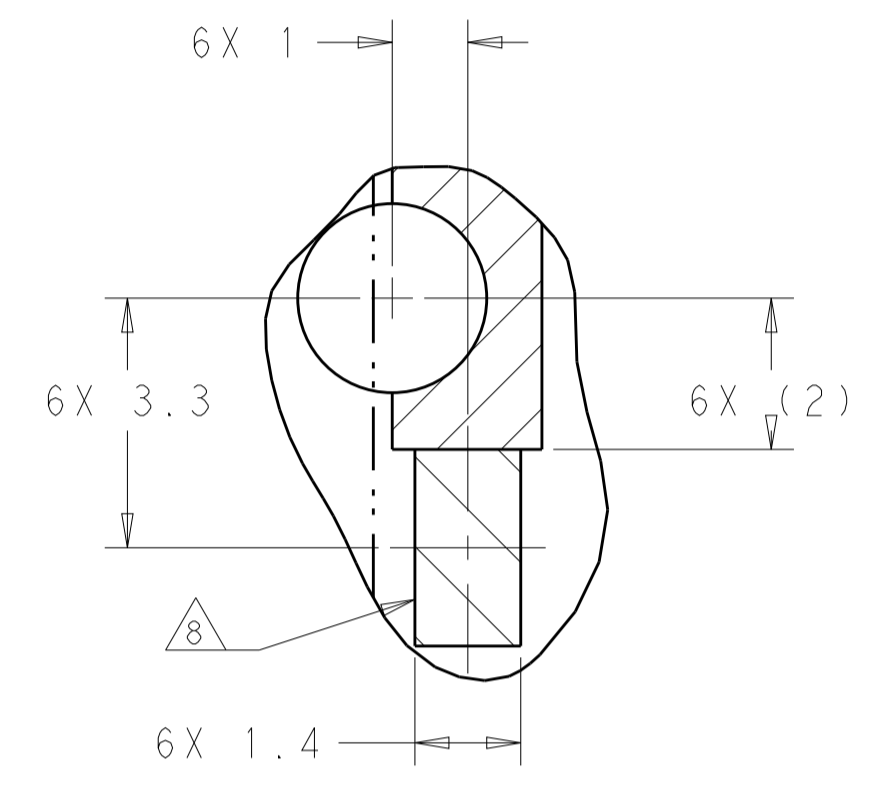
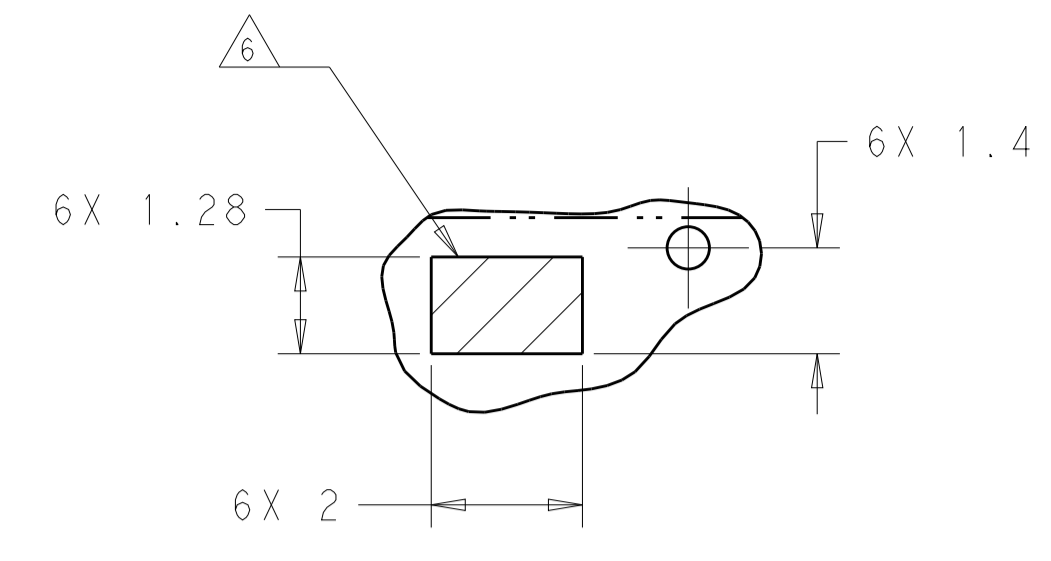
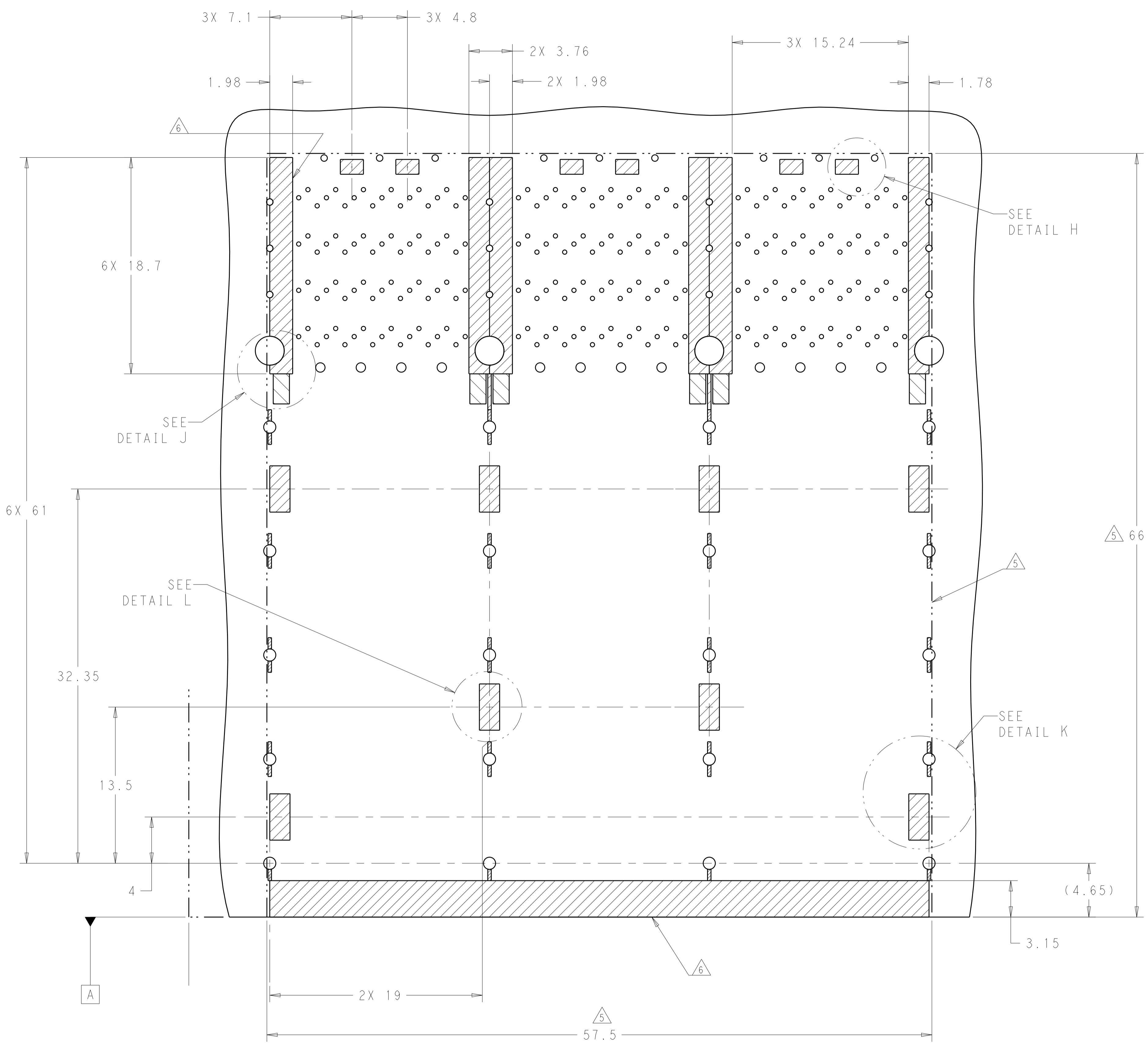


DETAIL G
 3X INDIVIDUALLY
 SCALE 8:1



| | | | | |
|---|--|---|---|------------------|
| THIS DRAWING IS A CONTROLLED DOCUMENT. DIMENSIONING AND TOLERANCING PER: ASME Y14.5M-2009 | | OWN: M. SHIRK 27FEB2012 CHK: D. SZCZESNY 27FEB2012 | TE Connectivity | |
| DIMENSIONS: mm | TOLERANCES UNLESS OTHERWISE SPECIFIED: | APVD: - | NAME: CAGE AND CONNECTOR ASSEMBLY, WITH EMI GASKET, 2X3, ZQSFP+ STACKED | RESTRICTED TO: - |
| 0 PLC ±0.25 | 1 PLC ±0.15 | PRODUCT SPEC: 108-60102 | SIZE: 114-60015 | SCALE: 4:1 |
| 2 PLC ±0.15 | 3 PLC ±0.15 | APPLICATION SPEC: - | WEIGHT: - | SHEET 3 OF 4 |
| 4 PLC ±0.15 | ANGLES ±0.15 | FINISH: - | CAGE CODE: A100779 | REV: A |
| MATERIAL: - | FINISH: - | WEIGHT: - | DRAWING NO: C=2214565 | |
| SEE NOTE 1 | SEE NOTE 2 | CUSTOMER DRAWING | | |

| LOC | | DIST | | REVISIONS | | | |
|-----|------|-------------|------|-----------|-------|---|---|
| P. | LTN. | DESCRIPTION | DATE | DWN. | APVD. | | |
| - | - | SEE SHEET 1 | - | - | - | - | - |



KEEPOUT AREAS
COMPONENT SIDE OF BOARD
SCALE 5:1

THIS PRODUCT HAS NOT COMPLETED VALIDATION AND QUALIFICATION TESTING

| | | | | |
|---|--|---|-----------------|--|
| THIS DRAWING IS A CONTROLLED DOCUMENT. DIMENSIONING AND TOLERANCING PER ASME Y14.5M-2009. | | DWN: M. SHIRK 27FEB2012 CHK: D. SZCZESNY 27FEB2012 | TE Connectivity | |
| DIMENSIONS: mm | TOLERANCES UNLESS OTHERWISE SPECIFIED: | APVD: | NAME: | CAGE AND CONNECTOR ASSEMBLY, WITH EMI GASKET, 2X3, ZQSP+ STACKED |
| 0 PLC ±0.25 | 1 PLC ±0.15 | PRODUCT SPEC: | SIZE: | 108-60102 |
| 2 PLC ±0.15 | 3 PLC ±0.15 | APPLICATION SPEC: | CAGE CODE: | 114-60015 |
| 4 PLC ±0.15 | ANGLES ±0.15 | WEIGHT: | DRAWING NO: | A100779C=2214565 |
| MATERIAL: SEE NOTE 1 | FINISH: SEE NOTE 2 | CUSTOMER DRAWING | SCALE: | 4:1 |
| | | | SHEET: | 4 OF 4 |
| | | | REV: | A |