

# Customer Information Sheet

DRAWING No.: M40-310XX45R

IF IN DOUBT - ASK

©

NOT TO SCALE

THIRD ANGLE PROJECTION

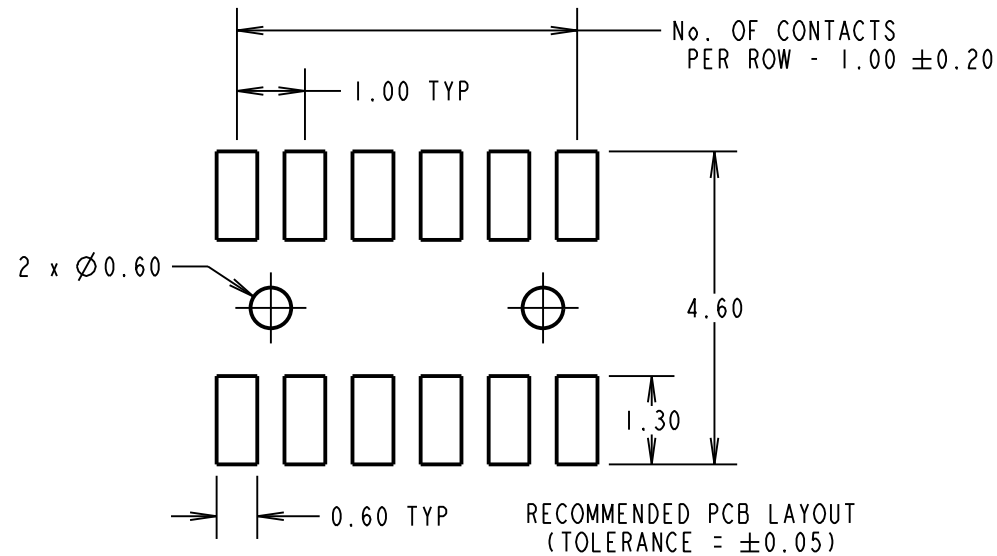
ALL DIMENSIONS IN mm

**SPECIFICATIONS:**

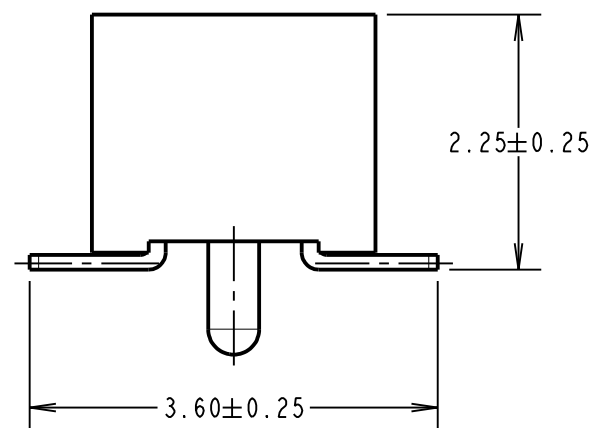
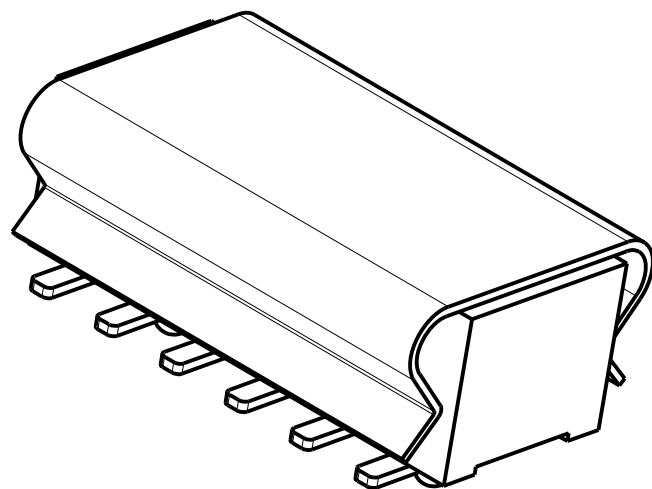
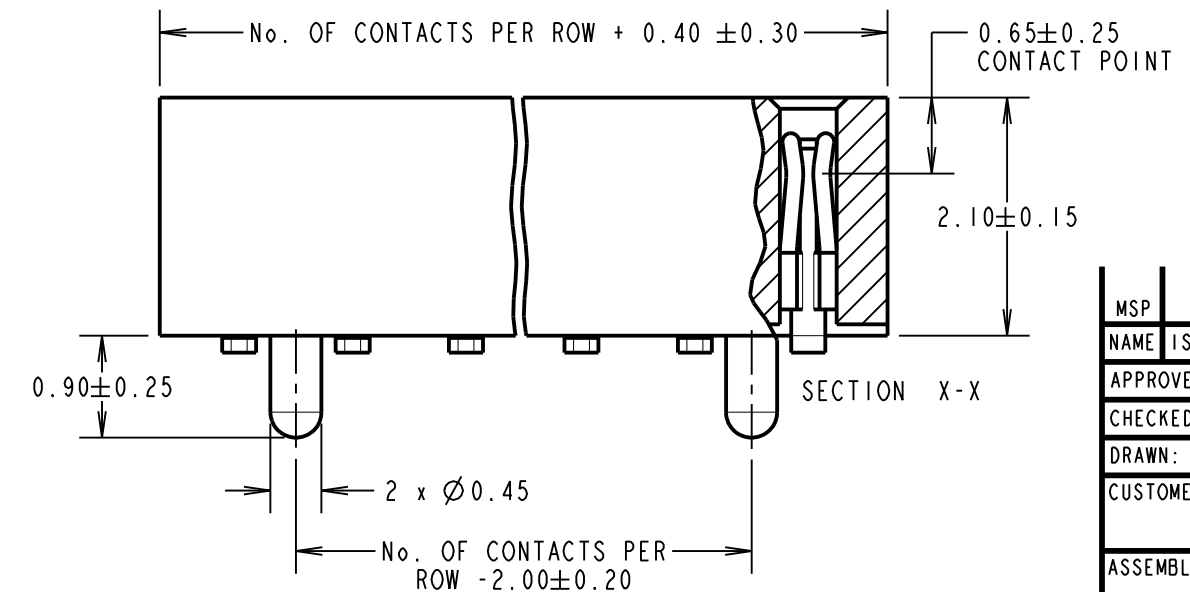
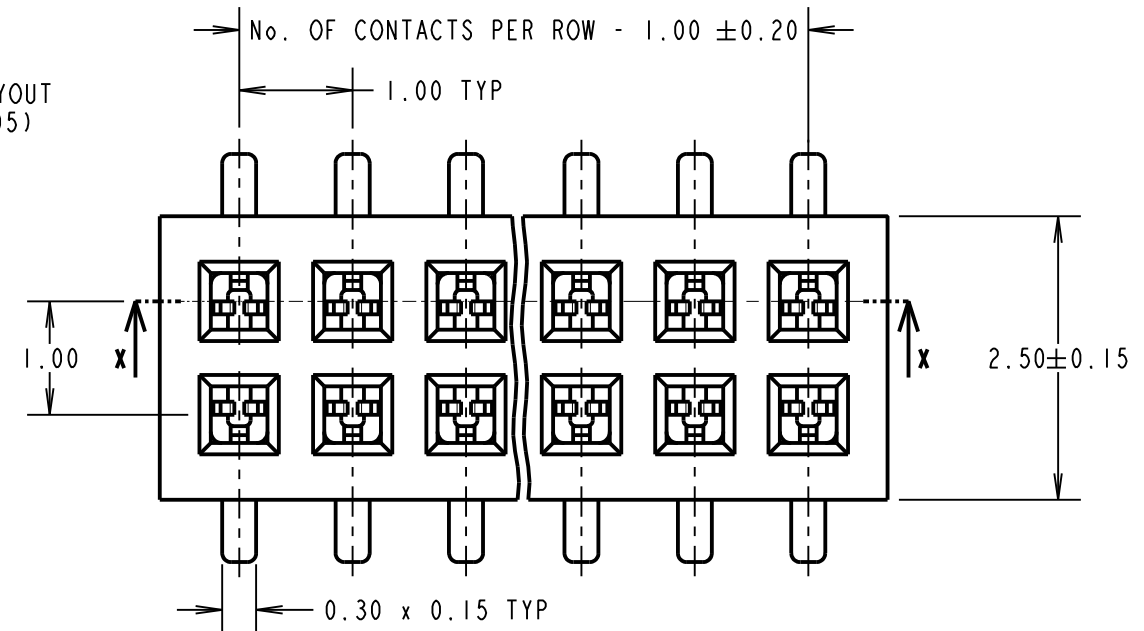
**MATERIAL:**  
 MOULDING = GLASS FILLED PA9T, UL94V-0, BLACK  
 CONTACT = PHOSPHOR BRONZE  
**FINISH:**  
 GOLD FLASH OVER NICKEL  
**ELECTRICAL:**  
 CURRENT RATING = 1A  
 INSULATION RESISTANCE = 5,000 MEGOHMS MIN.  
 CONTACT RESISTANCE = 20 MILLIOHMS MAX.  
 VOLTAGE PROOF = 1000V AC  
**MECHANICAL:**  
 INSERTION FORCE = 1.5N MAX  
 WITHDRAWAL FORCE = 0.1N MIN.  
 DURABILITY = 300 CYCLES  
**ENVIRONMENTAL:**  
 OPERATING TEMPERATURE = -40°C TO +105°C  
 FOR COMPLETE MECHANICAL/ELECTRICAL SPECIFICATION,  
 SEE COMPONENT SPECIFICATION C026XX (LATEST ISSUE)

**NOTES:**

- FOR REELING DETAILS, SEE SHEET 4.
- CAP REMOVED FROM MAIN VIEWS FOR CLARITY, PART COMES FITTED WITH CAP. SEE SHEET 4 FOR CAP DETAILS.



ORDER CODE:  
**M40-310XX45R**  
 No. OF CONTACTS PER ROW:  
 03,04,05,06,08,10,20,25



MSP	6	14.08.17	20547
NAME	ISS.	DATE	C/NOTE
APPROVED:		M.PERREN	
CHECKED:		S.BENNETT	
DRAWN:		R.ADDE	
CUSTOMER REF.:			
ASSEMBLY DRG:			

**HARWIN**

www.harwin.com  
 technical@harwin.com

THIS DRAWING AND ANY INFORMATION OR DESCRIPTIVE MATTER SET OUT HEREON ARE CONFIDENTIAL AND COPYRIGHT PROPERTY OF THE HARWIN GROUP AND MUST NOT BE DISCLOSED, LOANED, COPIED OR USED FOR MANUFACTURING, TENDERING OR FOR ANY OTHER PURPOSE WITHOUT THEIR WRITTEN PERMISSION.

**TOLERANCES**  
 X. = ±1mm  
 X.X = ±0.25mm  
 X.XX = ±0.10mm  
 X.XXX = ±0.01mm  
 ANGLES = ±5°  
 UNLESS STATED

**MATERIAL:**

SEE ABOVE

**FINISH:** SEE ABOVE

**S/AREA:**

mm<sup>2</sup>

**TITLE:** 1mm PITCH DIL SMT SKT ASSEMBLY (T & R) WITH P & P CAP

**DRAWING NUMBER:**

**M40-310XX45R**

SHT  
 3 OF 4

# Customer Information Sheet

DRAWING No.: M40-310XX45R

SHEET 4 OF 4

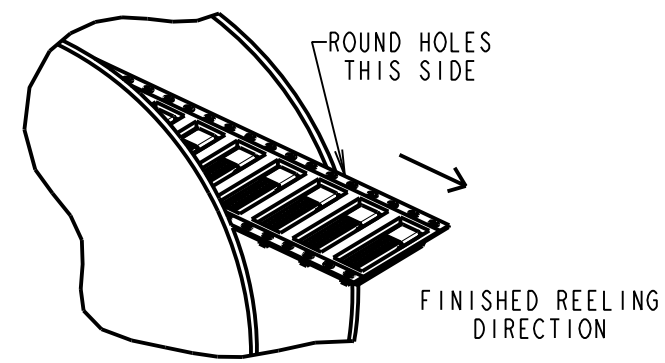
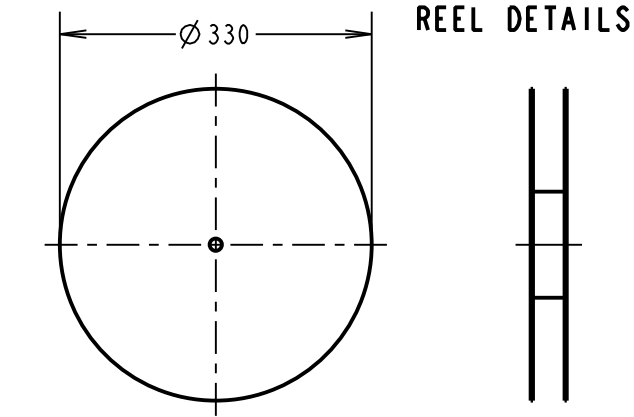
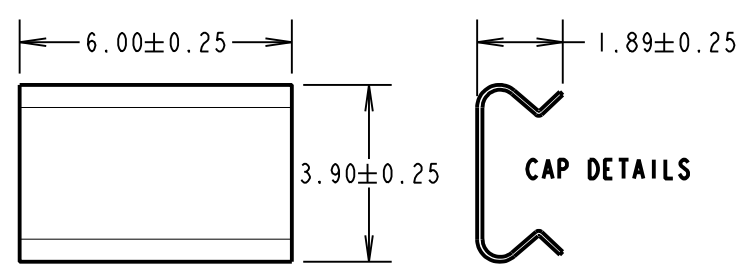
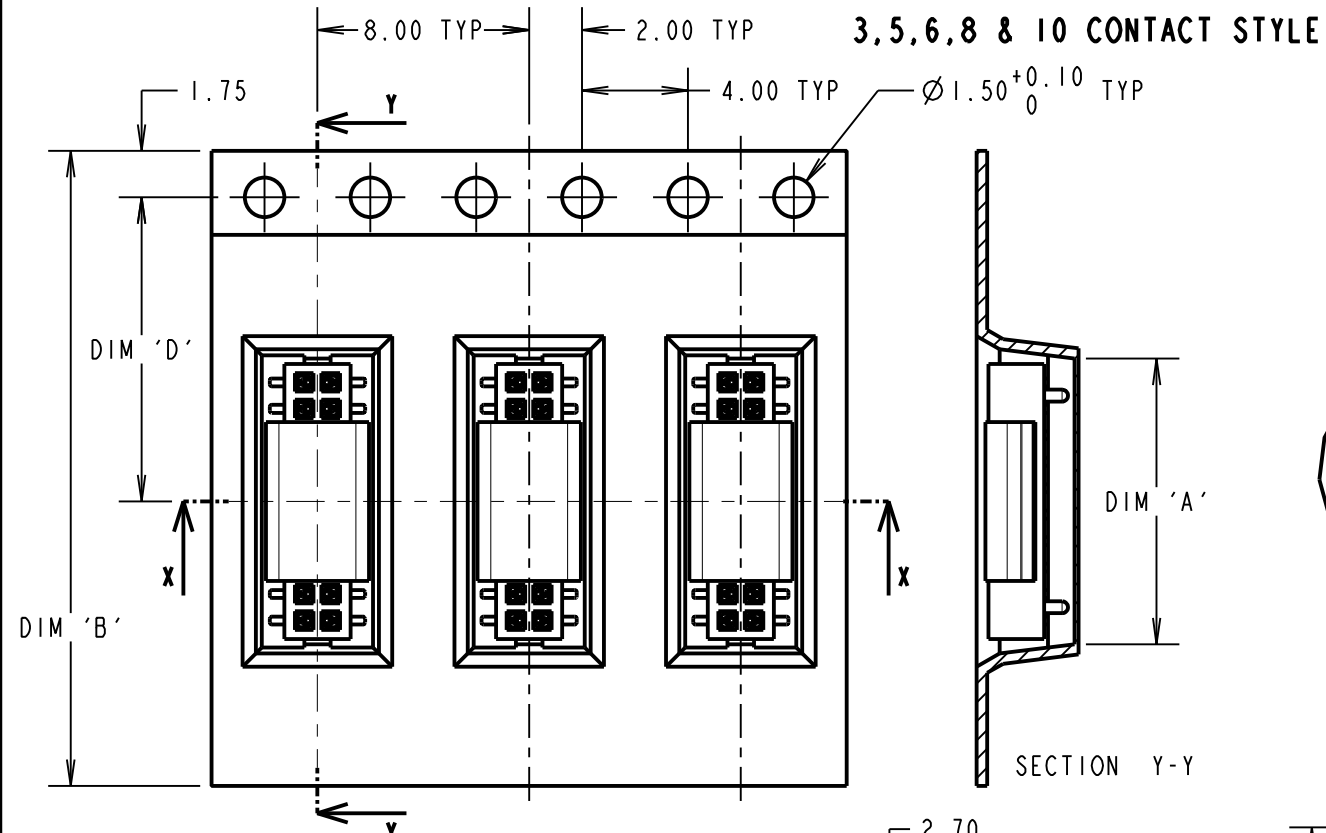
IF IN DOUBT - ASK

©

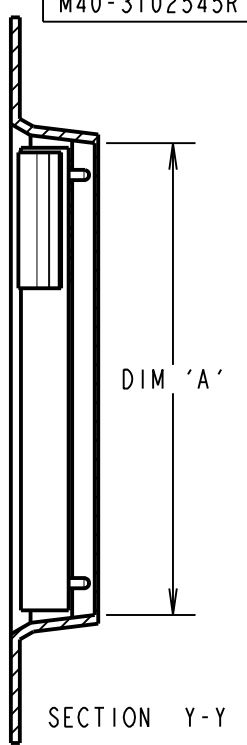
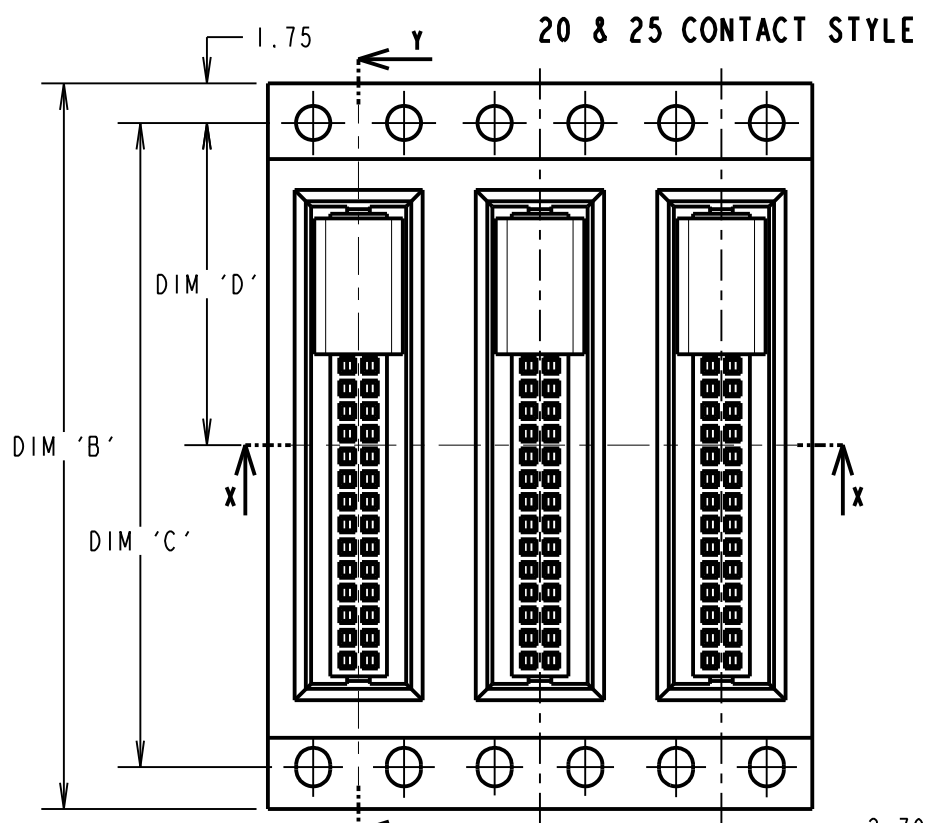
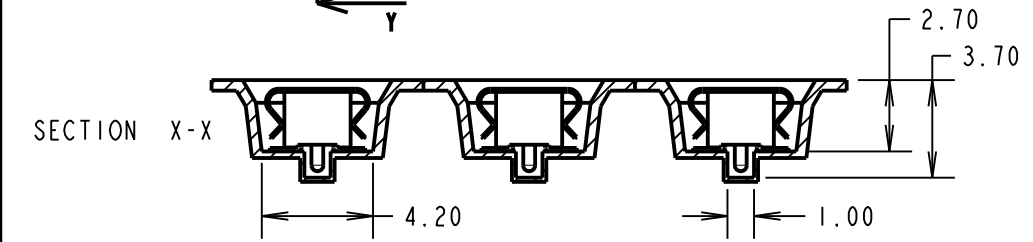
NOT TO SCALE

THIRD ANGLE PROJECTION

ALL DIMENSIONS IN mm

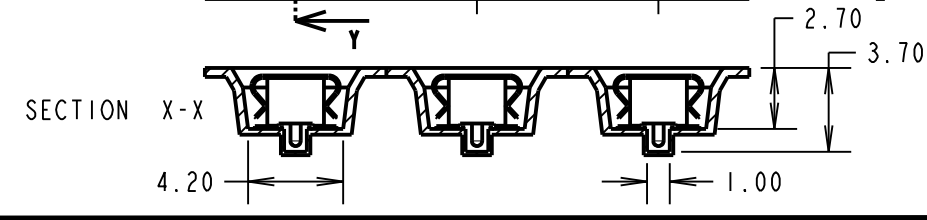
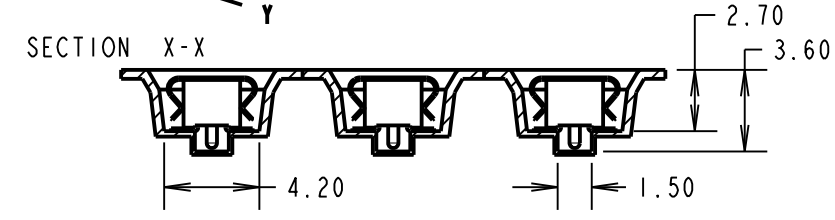
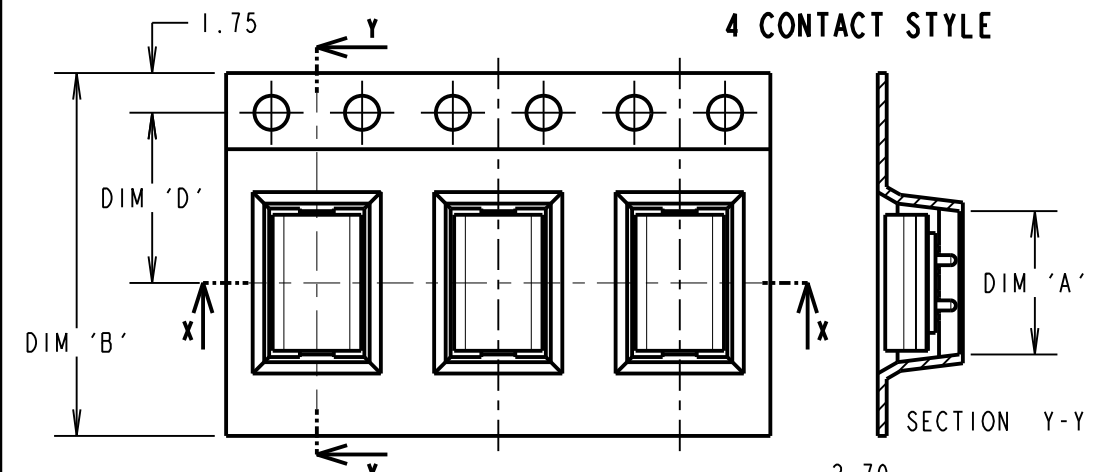


PART NUMBER	DIM 'A'	DIM 'B'	DIM 'C'	DIM 'D'
M40-3100345R	6.30	16.00±0.30	X	7.50±0.15
M40-3100445R	6.30			
M40-3100545R	6.30			
M40-3100645R	6.90	24.00±0.30	X	11.50±0.15
M40-3100845R	8.80			
M40-3101045R	10.80	32.00±0.30	28.40	14.20±0.15
M40-3102045R	20.80			
M40-3102545R	25.80			



ORDER CODE:  
**M40-310XX45R**

No. OF CONTACTS PER ROW:  
03, 04, 05, 06, 08, 10, 20, 25



- NOTES:
- FOR CONNECTOR DIMENSIONS, SEE SHEET 3.
  - TAPE & REEL IS IN GENERAL ACCORDANCE WITH EIA-481 (ELECTRONIC INDUSTRIES ASSOCIATION).
  - PICK & PLACE CAP IS THE SAME FOR ALL SIZES.
  - QUANTITY PER REEL FOR ALL SIZES = 2000.
  - TAPE THICKNESS = 0.40mm.

**HARWIN**

www.harwin.com  
technical@harwin.com

THIS DRAWING AND ANY INFORMATION OR DESCRIPTIVE MATTER SET OUT HEREON ARE CONFIDENTIAL AND COPYRIGHT PROPERTY OF THE HARWIN GROUP AND MUST NOT BE REPRODUCED, LOANED, COPIED OR USED FOR MANUFACTURING, TENDERING OR FOR ANY OTHER PURPOSE WITHOUT THEIR WRITTEN PERMISSION.

TOLERANCES  
X. = ±1mm  
X.X = ±0.25mm  
X.XX = ±0.10mm  
X.XXX = ±0.01mm  
ANGLES = ±5°  
UNLESS STATED

MATERIAL:  
SEE SHEET 3  
FINISH: SEE SHEET 3  
S/AREA: mm<sup>2</sup>

TITLE: 1mm PITCH DIL SMT SKT ASSEMBLY (T & R) WITH P & P CAP  
DRAWING NUMBER: **M40-310XX45R**  
SHT 4 OF 4

MSP	6	14.08.17	20547
NAME	ISS.	DATE	C/NOTE
APPROVED:			
CHECKED:			
DRAWN: R.ADDE			
CUSTOMER REF.:			
ASSEMBLY DRG:			