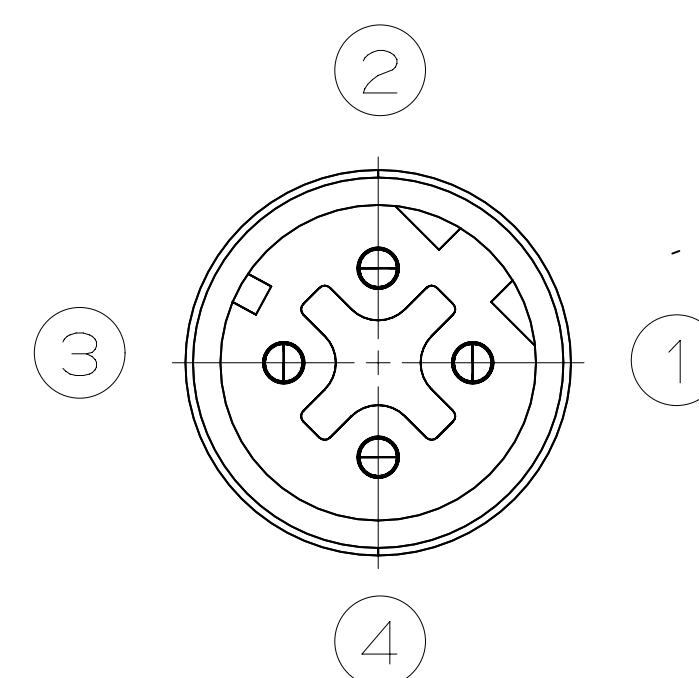
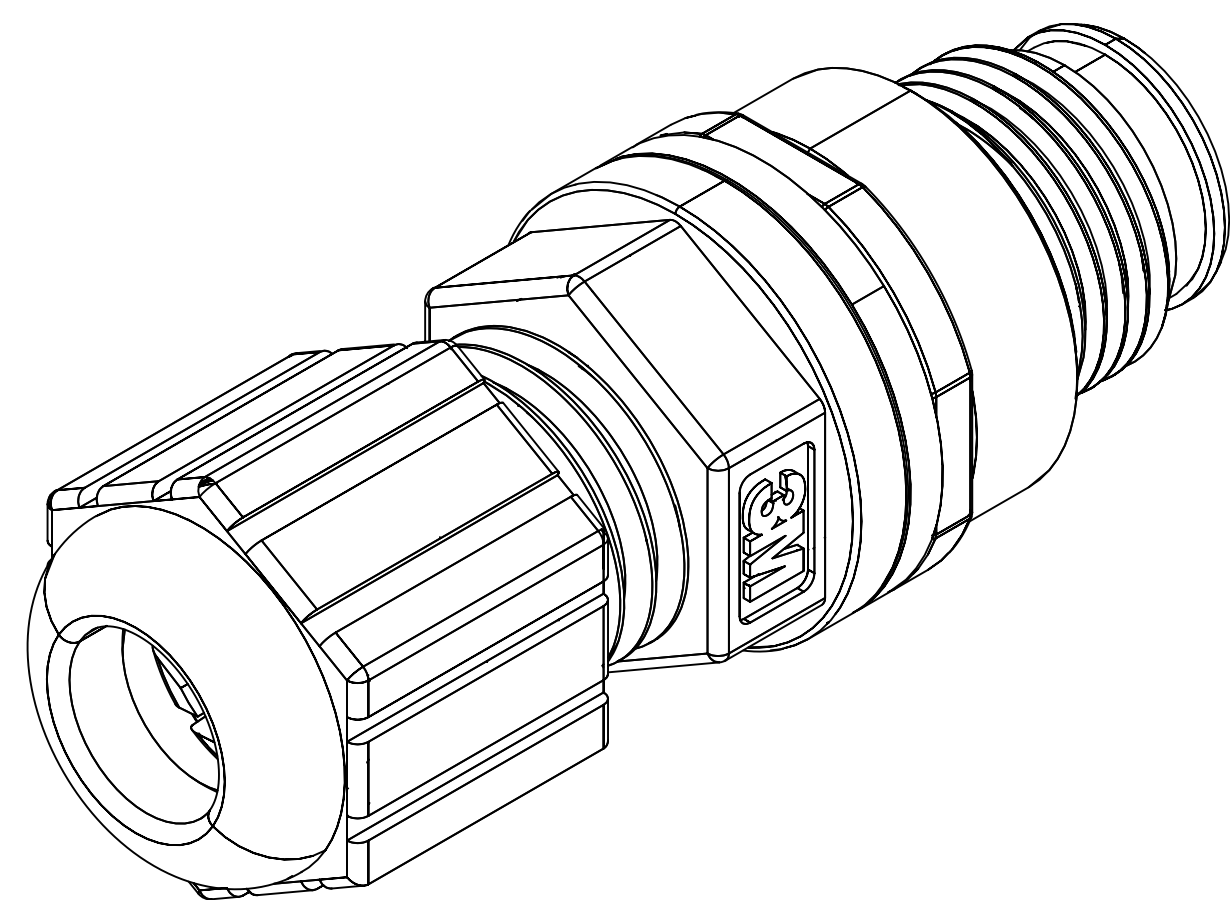
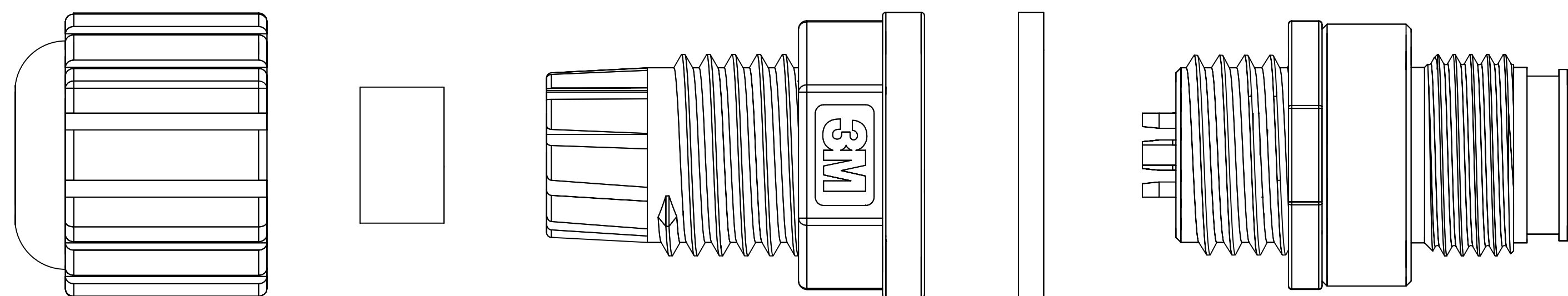
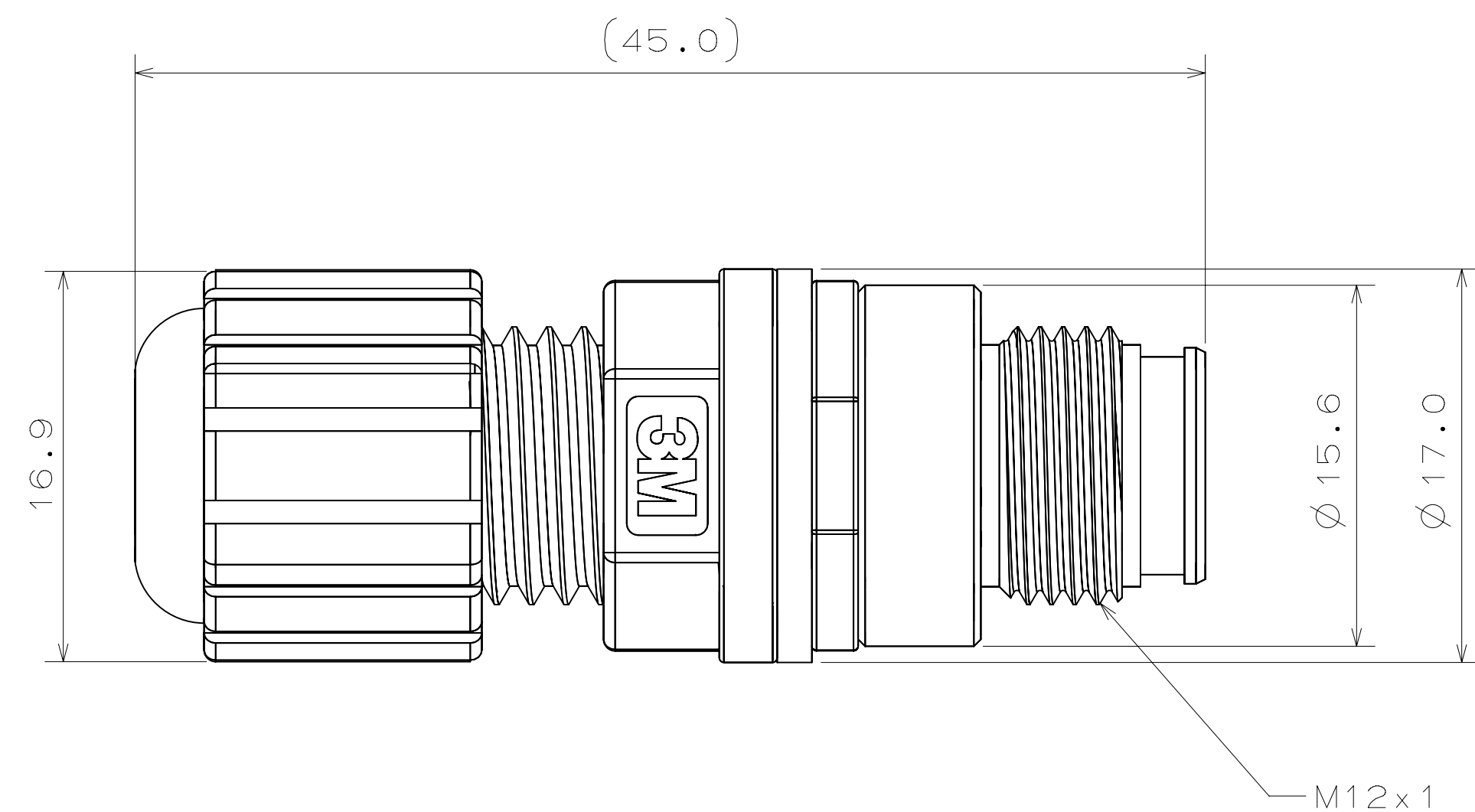


3M™ INDUSTRIAL M12 WM CONNECTOR

FOR 4POS, D-CODE, MALE, SOLDER TYPE



Pin Assignment

ORDERING INFORMATION M12 WM CONNECTOR

3N1 04-D000-S08 BF

PRODUCTION SERIES
3N1: INDUSTRIAL M12 WM
MALE CONNECTOR

PLATING SUFFIX
BF: CONTACT AREA 0.2µm GOLD

CONTACT QUANTITY
04: 4 PIN

IP CLASS
8: IP68

CODE
D: D CODE

WIRING METHOD
S: SOLDER TYPE

PERFORMANCE

1) MECHANICAL

POLARIZING METHOD: 35N MIN.

CONTACT INSERTION FORCE: 10N/pin MAX.
CONTACT WITHDRAWL FORCE: 15N/pin MAX.

WATERPROOF: IP68 (IN WATER 1mm DEPTH, 24H)

2) ELECTRICAL

CURRENT RATING: 4.0A

VOLTAGE RATING: 250VDC

WITHSTANDING VOLTAGE: 1000VACrms

INSULATION RESISTANCE: 1x10⁹ OHMS at 500VDC

CONTACT RESISTANCE:
10 MILLI OHM AT INITIAL CONDITION
DELTA R 15 MILLI OHM MAX. AFTER
EVALUATION TEST BASED ON 78-5102-0150-8

3) ENVIRONMENTAL

TEMPERATURE RATING: -25°C TO 85°C

NOTE

FOR LOW TEMPERATURE LIMIT:
EXCLUDING CABLE PERFORMANCE, NO DEW CONDITION
FOR HIGH TEMPERATURE LIMIT:
INCLUDING TEMPERATURE RAISING BY CURRENT

NOTES

- MATERIAL:
BODY: THERMOPLASTIC, UL 94V0
COVER: THERMOPLASTIC, UL 94V0
GLAND NUT:
THERMOPLASTIC, UL 94V0
CONTACT: COPPER ALLOY
- PLATING
CONTACT AREA: 0.2µm GOLD MIN.
- MATED WITH INDUSTRIAL M12 FEMALE CONNECTOR
- COMPATIBLE CABLE:
1) WIRE
AWG 20 STRANDED
AWG 24 STRANDED
2) CABLE OUTER DIAMETER
4.0 to 6.5mm
- RoHS COMPLIANT.
SEE THE REGULATORY INFORMATION APPENDIX (RIA) IN THE "RoHS COMPLIANCE" SECTION OF WWW.3MCONNECTORS.COM FOR COMPLIANCE INFORMATION (RIA E1 & C1 APPLY).
- FOR PRODUCT SPECIFICATIONS AND WARRANTY INFORMATION SEE 3M 78-5102-0150-8
- IN THE EVENT OF CONFLICT BETWEEN THIS DATA AND THAT CONTAINED IN THE PRODUCT SPECIFICATION, THE PRODUCT SPECIFICATION TAKES PRECEDENT.

3M™ ELECTRONIC SOLUTIONS DIVISION
INTERCONNECT SOLUTIONS
VISIT <http://www.3mconnectors.com>

3M IS A TRADEMARK OF 3M COMPANY.
FOR TECHNICAL, SALES OR ORDERING INFORMATION
CALL YOUR LOCAL SALES REPRESENTATIVE

DESIGN REFERENCE	NEXT ASSEMBLY	REV	ECO	ISSUE DATE AND DESCRIPTION	DRFT	CHKD
		1		SEP 06, 2012 PRODUCTION RELEASE	T.O	H.K
DIVISION: Interconnect Solutions SCALE: DO NOT SCALE DRAWING TOLERANCES EXCEPT AS NOTED INCHES: .00 ±, .000 ±, .000 ±, .000 ± MILLIMETERS: 0 ±, .0 ±, .0 ±, .0 ± INTERPRET PER ASME Y14.5 - 1994 MAX SURFACE ROUGHNESS: .00 ±, .00 ±, .00 ± SURFACES: .000 ±, .000 ± <input checked="" type="checkbox"/> MARKED ONLY		DIVISION CODE: ISD DATE: SEP 06, 2012 DATE: SEP 06, 2012 APPV: H.KOSUGI DATE: SEP 06, 2012		© 3M COPYRIGHT 2012 This document and the information it contains are 3M property and may not be reproduced or further distributed without 3M permission, or used or disclosed other than for 3M authorized purposes. All rights reserved.		
TITLE: INDUSTRIAL M12 WIRE MOUNT, FOR D-CODE, MALE, SOLDER TYPE CAGE NUMBER: D 78-5100-2557-6 MODEL:		REV. A SHT 1 OF 1				