

CTE8000 / CTU8000 Series

OEM pressure transmitters for industrial media



FEATURES

- 0...-1 to 0...100 bar,
0...-15 to 0...1500 psi
gage¹ or absolute¹⁰
- For many industrial gases and liquids
- 0...10 V, 0.5...4.5 V, 0...5 V, 1...6 V or
4...20 mA output
- Field interchangeable
- For industrial use

MEDIA COMPATIBILITY

Wetted materials:
stainless steel 1.4404 (316L), ceramic Al_2O_3 , NBR⁹

Housing:
stainless steel, protection class IP 64 (according to
DIN EN 60529) respectively NEMA 4X¹

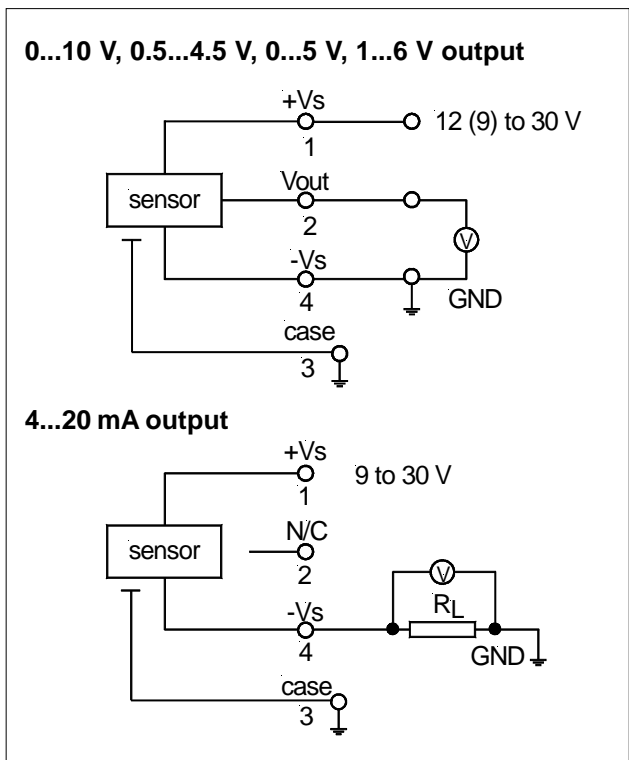


SPECIFICATIONS^{11,12}

Maximum ratings

Supply voltage (reverse polarity protection)	
CTx8...0	12...30 V
CTx8...1, ...6, ...7	9...30 V
CTx8...4 ²	9...30 V
Maximum load current (source)	
CTx8...0, ...1, ...6, ...7	1 mA
Temperature limits	
Storage	-55 to 100°C
Operating ⁸	-40 to 100°C
Compensated	0 to 70°C
Humidity limits	
	0 - 98 %RH
Vibration (5 to 500 Hz)	
	10 g _{RMS}
Mechanical shock	
	50 g
Proof pressure ³	
	2 x rated pressure

ELECTRICAL CONNECTION



CTE8000 / CTU8000 Series

OEM pressure transmitters for industrial media

COMMON PERFORMANCE CHARACTERISTICS

Characteristics		Min.	Typ.	Max.	Unit	
Operating pressure	CTE8001...	0		1	bar	
	CTE8N01...	-1		+1		
	CTE8P01...	-1		0		
	CTE8002...	0		2		
	CTE8005...	0		5		
	CTE8010...	0		10		
	CTE8016...	0		16		
	CTE8020...	0		20		
	CTE8025...	0		25		
	CTE8035...	0		35		
	CTE8050...	0		50		
	CTE8070...	0		70		
	CTE8100...	0		100		
	CTU8015...	0		15		psi
	CTU8N15...	-15		+15		
	CTU8P15...	-15		0		
	CTU8030...	0		30		
	CTU8100...	0		100		
	CTU8200...	0		200		
CTU8300...	0		300			
CTU8500...	0		500			
CTU8700...	0		700			
CTU81K0...	0		1000			
CTU81K5...	0		1500			
Thermal effects ^s (0 to 70°C) ⁴	Offset		0.02	0.05	%FSO/°C	
	Span		0.02	0.05		
Thermal effects (-40 to 0°C, 70 to 100°C)	Offset		0.03		%FSO/°C	
	Span		0.03			
Non-linearity, hysteresis (BSL) and repeatability ⁵			±0.1	±0.3	%FSO	
Long term stability ⁶			±0.3			
Output noise (0 < f < 1 kHz)			±0.04			
Response time (10 to 90 %)			1	5	ms	
Power supply rejection	Offset	CTx8...4 all others	0.05 0.002		%FSO/V	
	Span	CTx8...4 all others	0.08 0.002			

CTE8000 / CTU8000 Series

OEM pressure transmitters for industrial media

INDIVIDUAL PERFORMANCE CHARACTERISTICS

0...10 V output ($V_s = 15\text{ V}$, $R_L > 100\text{ k}\Omega$, $t_{amb} = 25^\circ\text{C}$)

Characteristics		Min.	Typ.	Max.	Unit
Zero pressure offset	CT...8N...	4.9	5	5.1	V
	all others		0.03	0.1	
Full scale span ⁷	CT...8N...	4.9	5	5.1	
	all others	9.9	10	10.1	
Output impedance				25	Ω
Current consumption (no load)			3	5	mA

0.5...4.5 V output ($V_s = 15\text{ V}$, $R_L > 100\text{ k}\Omega$, $t_{amb} = 25^\circ\text{C}$)

Characteristics		Min.	Typ.	Max.	Unit
Zero pressure offset	CT...8N...	2.45	2.5	2.55	V
	all others	0.45	0.5	0.55	
Full scale span ⁷	CT...8N...	1.95	2	2.05	
	all others	3.95	4	4.05	
Output impedance				25	Ω
Current consumption (no load)			3	5	mA

0...5 V output ($V_s = 15\text{ V}$, $R_L > 100\text{ k}\Omega$, $t_{amb} = 25^\circ\text{C}$)

Characteristics		Min.	Typ.	Max.	Unit
Zero pressure offset	CT...8N...	2.45	2.5	2.55	V
	all others		0.03	0.08	
Full scale span ⁷	CT...8N...	2.45	2.5	2.55	
	all others	4.95	5.0	5.05	
Output impedance				25	Ω
Current consumption (no load)			3	5	mA

1...6 V output ($V_s = 15\text{ V}$, $R_L > 100\text{ k}\Omega$, $t_{amb} = 25^\circ\text{C}$)

Characteristics		Min.	Typ.	Max.	Unit
Zero pressure offset	CT...8N...	3.45	3.5	3.55	V
	all others	0.95	1	1.05	
Full scale span ⁷	CT...8N...	2.45	2.5	2.55	
	all others	4.95	5.0	5.05	
Output impedance				25	Ω
Current consumption (no load)			3	5	mA

4...20 mA output ($V_s = 15\text{ V}$, $R_L = 100\ \Omega$, $t_{amb} = 25^\circ\text{C}$)

Characteristics		Min.	Typ.	Max.	Unit
Zero pressure offset	CT...8N...	11.9	12.0	12.1	mA
	all others	3.9	4.0	4.1	
Full scale span ⁷	CT...8N...	7.9	8.0	8.1	
	all others	15.9	16.0	16.1	
Power consumption ($I_L = 20\text{ mA}$)			250		mW

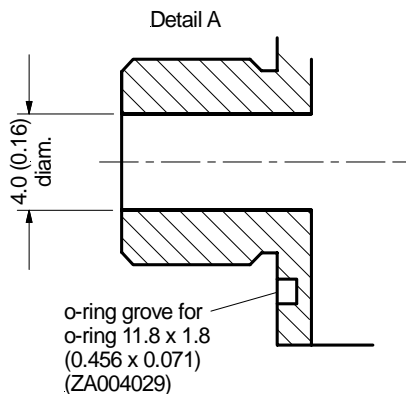
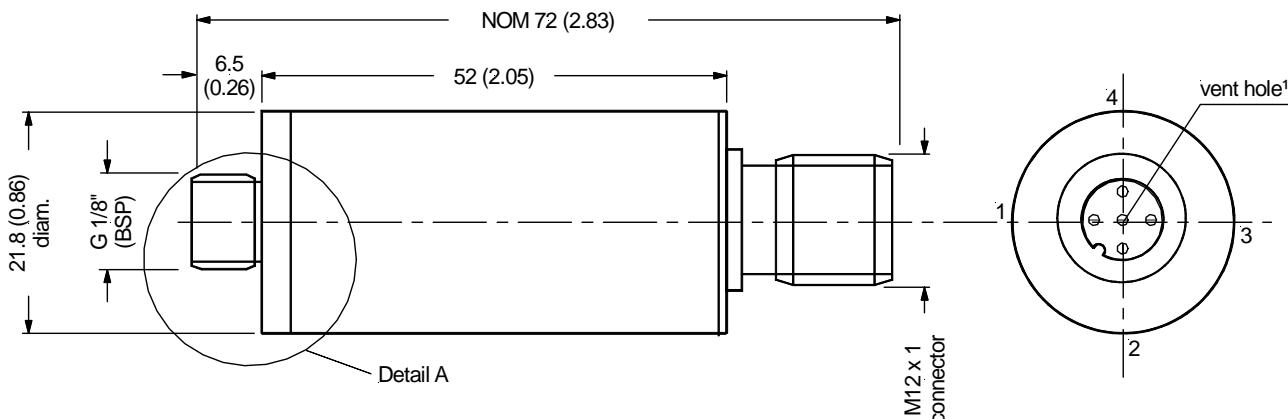
CTE8000 / CTU8000 Series

OEM pressure transmitters for industrial media

Specification notes:

1. IP 64 protection is given when the connector is locked. For proper function the gage port is vented to the atmosphere through the connector/cable assembly. Thus the cable end must have access to the ambient pressure.
2. The minimum supply voltage is directly proportional to the load resistance seen by the transmitter. For more details see the load limitation diagram.
3. Proof pressure is the maximum pressure which may be applied without causing damage to the sensing element.
4. Thermal effects tested and guaranteed from 0 to 70°C relative to 25°C. All specifications shown are relative to 25°C.
5. Non-linearity refers to the **Best Straight Line** fit measured for offset, full scale span and 1/2 full scale span.
6. Long term stability is the change in output after one year or 1 million pressure cycles.
7. Span is the arithmetic difference in transmitter output signal measured at zero pressure and the maximum operating pressure.
8. Tests are in accordance with EN61000-6-2, April 1999.
9. Other material on special request. When using devices with optional nickel plated fittings, consider the media compatibility of the fittings also.
10. Available for pressure ranges from 1 bar (15 psi) absolute upwards only.
11. CE-labelling is in accordance with 89/336/EEC.
12. The pressure transmitters must not be used as safety accessories according to article 1, 2.1.3 of the directive 97/23/EC.

OUTLINE DRAWING



Pin	Output	
	0...10 V 0.5...4.5 V 0...5 V, 1...6 V	4...20 mA
1	+V _s	+V _s
2	V _{out}	NC
3	case	case
4	-V _s	-V _s

mass: 72 g

dimensions in mm (inches)

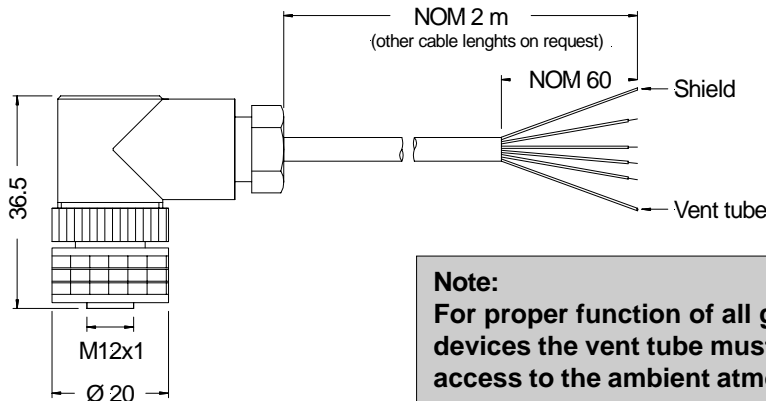
CTE8000 / CTU8000 Series

OEM pressure transmitters for industrial media

RECOMMENDED ACCESSORY (not included in delivery)

ZK000101: Connector/cable assembly (different cable lengths available)

ZP000112-B: Mating Connector (without cable)

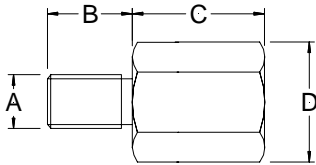


PIN CONNECTION	
Pin	Flying lead end
1	Brown
2	Green
3	White and shield
4	Yellow

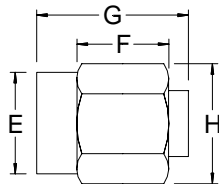
dimensions in mm

OPTIONAL PRESSURE FITTINGS (brass, nickel plated)

Male fittings

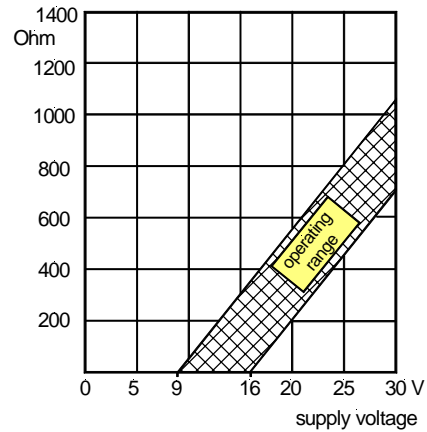


Female fittings



LOAD LIMITATION

4...20 mA output version



Dimensions in mm (inches)			
A	B	C	D (Hex.)
1/8" BSPT	8 (0.315)	13 (0.512)	14 (9/16")
1/4" BSPT	12 (0.472)	5.5 (0.217)	14 (9/16")
3/8" BSPT	11.5 (0.453)	5 (0.197)	17 (11/16")
1/2" BSPT	16 (0.630)	7 (0.276)	22 (7/8")
1/8" BSP	12.5 (0.492)	11 (0.433)	14 (9/16")
1/4" BSP	8.5 (0.335)	5 (0.197)	19 (3/4")
3/8" BSP	12.5 (0.492)	7 (0.276)	22 (7/8")
1/8" NPT	10 (0.394)	13 (0.512)	17 (11/16")
1/4" NPT	14 (0.551)	6 (0.236)	22 (7/8")

Dimensions in mm (inches)			
E	F	G	H (Hex.)
1/8" BSP	5 (0.197)	15 (0.591)	14 (9/16")
1/4" BSP	7 (0.276)	20 (0.787)	17 (11/16")
3/8" BSP	6 (0.236)	20 (0.787)	22 (7/8")
1/2" BSP	18 (0.707)	23 (0.906)	24 (15/16")

CTE8000 / CTU8000 Series

OEM pressure transmitters for industrial media

ELECTROMAGNETIC CAPABILITY⁸

	Test conditions	Criterion	Interference
Radiated, radio frequency electromagnetic field immunity (RFI)	EN61000-4-3: Grade 3, 10 V/m, 80 to 1000 MHz 80 % AMC (1 kHz)	A	<1 %FSO
Electrical fast transient / burst immunity (EFT)	EN61000-4-4: Grade 3, ±2 kV	B	<1 %FSO
Electrostatic discharge immunity test (ESD)	EN61000-4-2: Grade 4, ±8 kV, contact discharge	B	<1 %FSO
Immunity to conducted disturbances induced by radio-frequency fields	EN61000-4-6: Grade 3, 0.15 to 80 MHz 10 V, 80 % AMC (1 kHz)	A	<1 %FSO

ORDERING INFORMATION

	CTx8	xxx	X	X	X	
E: bar calibration						Output signal 0: 0...10 V 1: 1...6 V 4: 4...20 mA 6: 0.5...4.5 V 7: 0...5 V
U: psi calibration						
CTE8000 series	CTU8000 series					Fitting size D: 1/8" BSPT male, brass, nickel plated E: 1/4" BSPT male, brass, nickel plated F: 3/8" BSPT male, brass, nickel plated G: 1/2" BSPT male, brass, nickel plated K: 1/8" NPT male, brass L: 1/4" NPT male, brass M: 1/8" NPT male, SS 1.4305 (303) N: 1/4" NPT male, SS 1.4305 (303) P: G 1/8" (BSP) male, brass, nickel plated Q: G 1/4" (BSP) male, brass, nickel plated R: G 3/8" (BSP) male, brass, nickel plated S: G 1/2" (BSP) male, brass, nickel plated U: G 1/8" (BSP) female, brass, nickel plated V: G 1/4" (BSP) female, brass, nickel plated W: G 3/8" (BSP) female, brass, nickel plated X: G 1/2" (BSP) female, brass, nickel plated Y: G 1/8" (BSP) male, SS 1.4404 (316) no optional fitting
001: 0 to 1 bar N01: -1 to +1 bar P01: 0 to -1 bar 002: 0 to 2 bar 005: 0 to 5 bar 010: 0 to 10 bar 016: 0 to 16 bar 020: 0 to 20 bar 025: 0 to 25 bar 035: 0 to 35 bar 050: 0 to 50 bar 070: 0 to 70 bar 100: 0 to 100 bar	015: 0 to 15 psi N15: -15 to +15 psi P15: 0 to -15 psi 030: 0 to 30 psi 100: 0 to 100 psi 200: 0 to 200 psi 300: 0 to 300 psi 500: 0 to 500 psi 700: 0 to 700 psi 1K0: 0 to 1000 psi 1K5: 0 to 1500 psi					
Pressure mode						
G: gage pressure ¹						
A: absolute pressure ¹⁰						

Note: Other pressure ranges and options are widely available.
Please contact your nearest Sensortechinics sales representative.

Sensortechinics reserves the right to make changes to any products herein. Sensortechinics does not assume any liability arising out of the application or use of any product or circuit described herein, neither does it convey any license under its patent rights nor the rights of others.