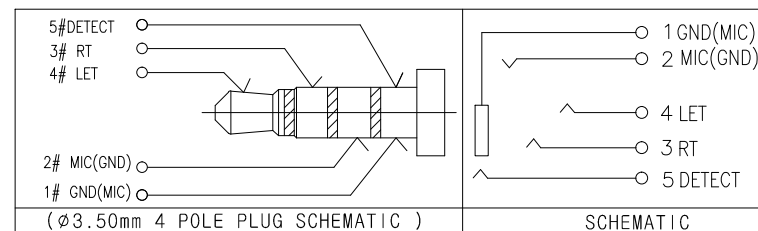
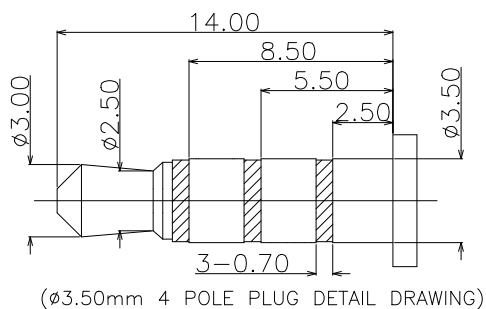
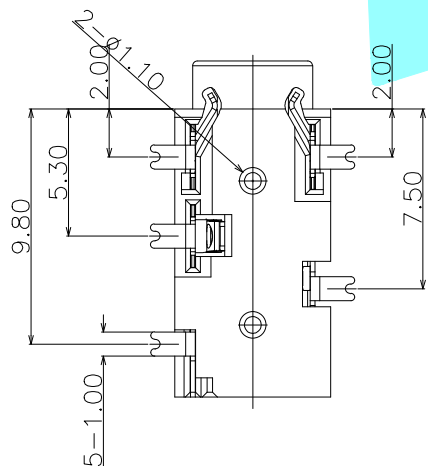
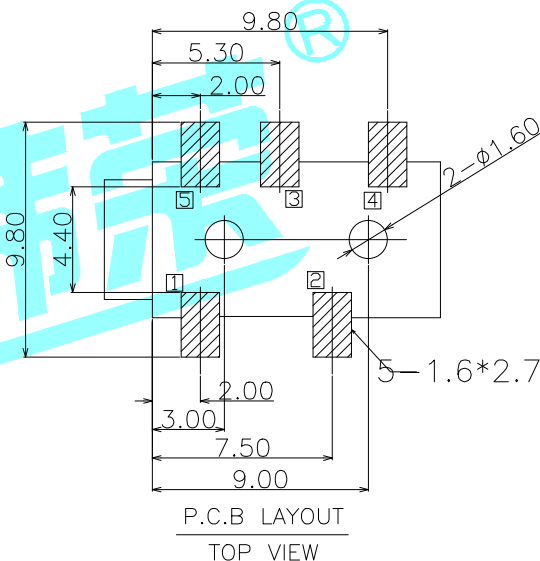
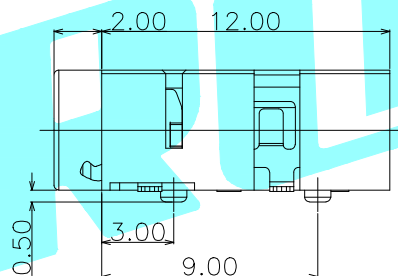
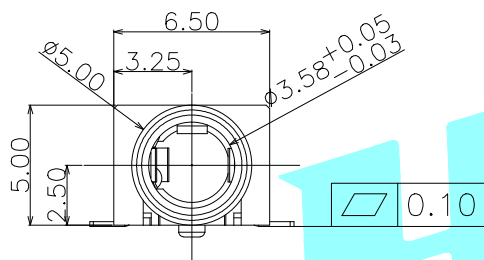
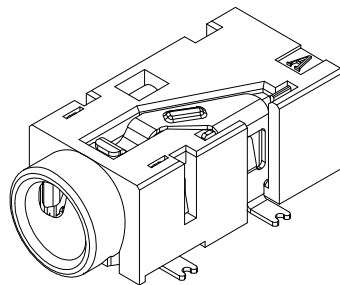
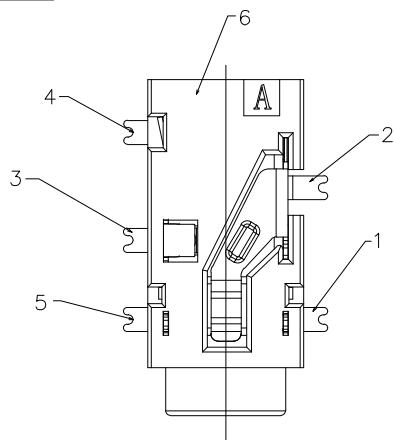


ROHS

1. CONTACT CURRENT RATING: 1A.
2. CONTACT RESISTANCE: 50 mΩ MAX.;
3. INSULATION RESISTANCE: 100MΩ MIN.;
4. DIELECTRIC WITHSTANDING: 500V AC MIN.;
5. DURABILITY: 5,000 CYCLES MIN.;
6. CONNECTOR MATING FORCES: 30N MAX.;
7. CONNECTOR UNMATING FORCES: 3N MIN.;



②	Terminal	5	Brass	Ni/Sn Plating		
①	Housing	1	High temperature plastic	Black		
ITEM	PART NAME	TER'NO.	QTY.	MATERIAL	FINISHING	REMARK
APPROVALS			DATE	 ELECTRONICS CO.,LTD TITLE: PHONE JACKS PART NO. PJ-327F-5A		
DRAWN	LIUCAN	2020.12.30				
CHECKED						
APPROVALS				UNIT: mm	SCALE: 1:1	PROJ:
TOLERANCES ARE		30~以上	±0.30	ANGLE	DRAWING NO.	SHEET 1 OF 1
		10~30	±0.20			
		5~10	±0.15	±2'		
		~ 5	±0.10			

ECN NO.	REV. A	DATE.	NEW	DESCRIPTION.	CHANGE.	CHECK.	APPRO.
---------	--------	-------	-----	--------------	---------	--------	--------