

Customer Information Sheet

DRAWING No.: Z80-292

SHEET 2 OF 2

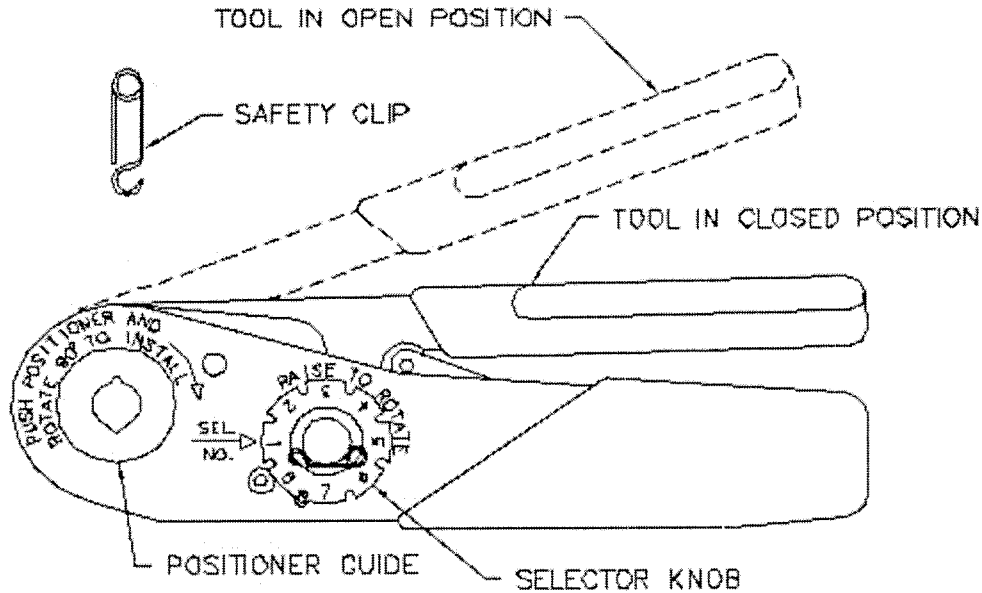
IF IN DOUBT - ASK

©

THIRD ANGLE PROJECTION

NOT TO SCALE

ALL DIMENSIONS IN mm



NOTES:

1. HAND CRIMP TOOL MUST BE USED WITH POSITIONER:

| POSITIONER | CONTACT ASSY PART No. |
|------------|-----------------------|
| Z80-291 | M80-305 |
| | M80-306 |
| | M80-307 |
| | M80-315 |
| | M80-316 |
| | M80-317 |

| | | | |
|-----------------------------|------|------------|--------|
| BMK | 1 | 24.11.05 | --- |
| NAME | ISS. | DATE | C/NOTE |
| APPROVED | | | |
| CHECKED: <i>[Signature]</i> | | | |
| DRAWN: | | B. M. KENT | |
| CUSTOMER REF: | | | |
| ASSEMBLY DRG: | | | |

HARWIN

THIS INFORMATION AND ANY INFORMATION OR DESCRIPTIVE MATTER SET OUT HEREON ARE CONFIDENTIAL AND COPYRIGHT PROPERTY OF THE HARWIN GROUP AND MUST NOT BE DISCLOSED, LOANED, COPIED OR USED FOR MANUFACTURING, TENDERING OR FOR ANY OTHER PURPOSE WITHOUT THEIR WRITTEN PERMISSION.

TOLERANCES
 X. = ±1mm
 X.X = ±0.25mm
 X.XX = ±0.10mm
 X.XXX = ±0.01mm
ANGLES = ±5°
 UNLESS STATED

MATERIAL:
FINISH:
S/AREA:

TITLE:
 DATAMATE SPECIAL CONTACT
 HAND CRIMP TOOL
DRAWING NUMBER:
Z80-292
 SHT
 2
 OF
 2

HARWIN INC
 U.S.A.
 TEL: (812) 285 0055
 FAX: (812) 285 0056

HARWIN PLC
 U.K.
 TEL: 023 9237 0451
 FAX: 023 9231 4590

HARWIN PTE
 SINGAPORE
 TEL: 65 7794909
 FAX: 65 7793868