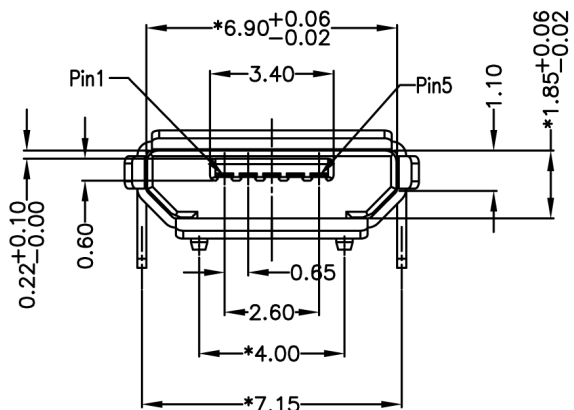
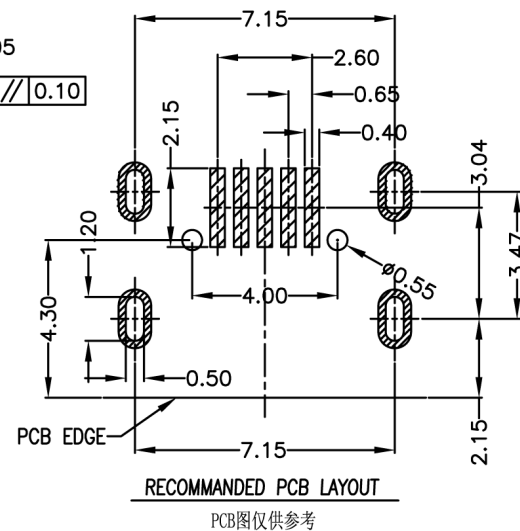
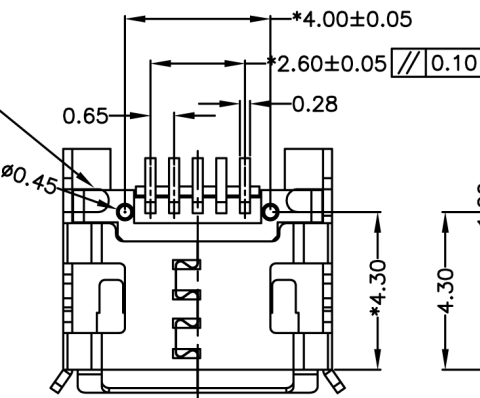
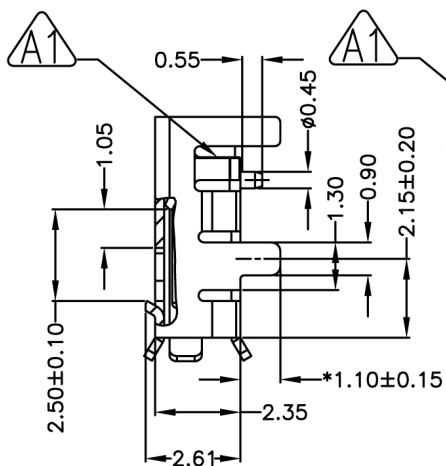
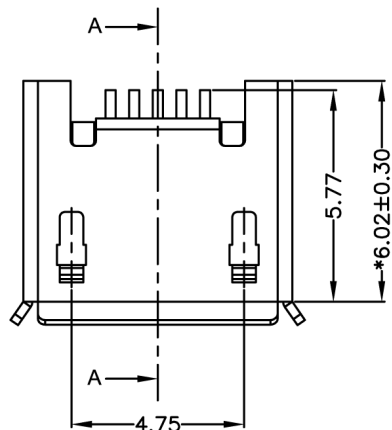
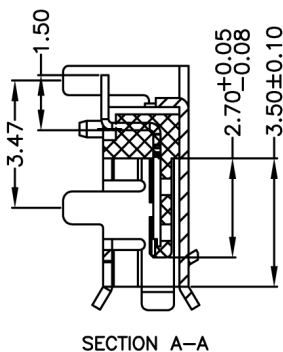
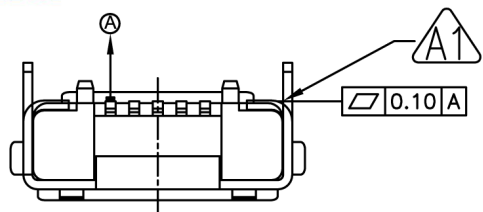


| REV. | ZONE | DESCRIPTION | DESIGN | DATE |
|------|------|-------------|--------|--------------|
| A | | 新规制作 | | 2016. 12. 20 |
| A1 | | 增加定位扣 | | 2017. 01. 10 |



Note:

1. Material:

- 1.1 Housing: High temperature thermoplastic with g.f,UL94v-0
- 1.2 Contact: copper alloy,t=0.20mm
- 1.3 Shell: copper alloy or SUS,t=0.25mm

2. Specification:

- 2.1 Current rating:1,5PIN 1.8A Max/2,3,4PIN 1A Max.
- 2.2 Dielectric withstanding voltage: 100 V(ac) for 1 min.

- 2.3 Contact resistance: 30 mΩ Max.
- 2.4 Insulation resistance: 100 MΩ Min.
- 2.5 Total mating force: 3.57 Kgf Max.
- 2.6 Total unmating force: 1.0 Kgf Min.
- 2.7 Temperature range: -30°C~80°C

| | | | | | |
|---|-------|------------------------|------------|--|------------|
| Unless otherwise specified tolerances are | | 深圳市金航标电子有限公司 | | WWW.BDS666.COM | |
| X. | ±0.25 | 型号: KH-MICRO-SMT.ZJ-5P | | 0755-83044319 | |
| X.X | ±0.15 | DRAW NO. | 2016122001 | DATE | 2016.12.20 |
| X.XX | ±0.10 | DWN | Wang lian | DRAW NAME: Micro usb 5P B Type 插板7.2有柱 脚长1.1四脚全插加长0.75 (卷边) | |
| X.XXX | ±0.05 | CHK | | P/N : 1110-205001 | |
| X° | ±2.0° | APVD | | | |
| X.X° | ±1.0° | | | | |

| | | | | | | | |
|----------------------------|----------|--|------|-------|--------|-----|--------|
| <p>Third Angle Project</p> | FINISH | | UNIT | SCALE | WEIGHT | REV | SHEET |
| | MATERIAL | | mm | 1:1 | | A | 1 OF 1 |